

SERVICE MANUAL

SPLIT TYPE ROOM AIR CONDITIONER

CEILING type (50Hz)



Models	Indoor unit	Outdoor unit
	ABG36TBA3W	AOG36TPB3L
	ABG45TBA3W	AOG45TPB3L
	ABY36TBA3W	AOY36TPB3L
	ABY45TBA3W	AOY45TPB3L

C O N T E N T S

SPECIFICATIONS	1
OUTLINE AND DIMENSIONS	3
REFRIGERANT SYSTEM DIAGRAM	5
CIRCUIT DIAGRAM	6
INDOOR P. C. BOARD CIRCUIT DIAGRAM	7
REMOTE CONTROL UNIT CODE SWITCHING	9
ERROR CONTENTS	10
DISASSEMBLY ILLUSTRATION	11
PARTS LIST	20

S P E C I F I C A T I O N S

TYPE		COOLING & HEATING	
INDOOR UNIT		ABG36TBA3W ABY36TBA3W	ABG45TBA3W ABY45TBA3W
OUTDOOR UNIT		AOG36TPB3L AOY36TPB3L	AOG45TPB3L AOY45TPB3L
COOLING CAPACITY	(kW)	10.3 - 10.5	12.4 - 12.7
HEATING CAPACITY	(kW)	10.8 - 11.0	14.0 - 14.3

ELECTRICAL DATA

POWER SOURCE		(V)	380 - 415	
		(ϕ /Hz)	3 / 50	
RUNNING CURRENT	(A)	COOLING	6.9 - 6.8	8.2 - 8.4
		HEATING	6.5 - 6.3	9.0 - 9.0
INPUT WATTS	(kW)	COOLING	4.00 - 4.04	4.55 - 4.60
		HEATING	3.68 - 3.65	5.05 - 5.05
E.E.R.	(kW/kW)	COOLING	2.58 - 2.60	2.73 - 2.76
		HEATING	2.93 - 3.01	2.77 - 2.83
STARTING CURRENT		(A)	49	66
MOISTURE REMOVAL		(ℓ /hr)	4.0	5.5

COMPRESSOR

TYPE		Hermetic type, 2 pole, 3-phase, Induction motor	
CODE		ZR49KCE-TFD	ZR61KCE-TFD
REFRIGERANT	R407C	(g)	2,600
			3,500

FAN MOTOR

FAN SPEED (r.p.m.)	INDOOR	HIGH	1,000	1,100
		MED	900	1,000
		LOW	750	850
	OUTDOOR		770	770
AIR FLOW	INDOOR	(m ³ /hr)	1,660	1,850
	OUTDOOR		6,000	5,600

DIMENSIONS

INDOOR UNIT	H x W x D (mm)	240 x 1,660 x 700
OUTDOOR UNIT		1,152 x 940 x 370

WEIGHT

INDOOR UNIT	GROSS / NET (kg)	61 / 48	
OUTDOOR UNIT		114 / 100	124 / 110

MAX PIPE LENGTH / HEIGHT	(m)	50 / 30
REMOTE CONTROLLER TYPE		WIRELESS

MODELS				ABG36TBA3W ABY36TBA3W	ABG45TBA3W ABY45TBA3W	
				AOG36TPB3L AOY36TPB3L	AOG45TPB3L AOY45TPB3L	
REFRIGERANT CIRCUIT	DISCHARGE PRESSURE	kg/cm ² G	COOL	23.0	21.0	
			HEAT	19.0	23.0	
	SUCTION PRESSURE	kg/cm ² G	COOL	5.0	5.0	
			HEAT	4.0	4.0	
	DISCHARGE TEMP.	°C	COOL	85	80	
			HEAT	75	75	
	REFRIG. PIPE LENGTH			m		7.5
	DISCHARGE AIR TEMP.	°C	COOL	12.0	11.5	
HEAT			41.0	43.0		
CONDITION	INDOOR ENTERING AIR TEMP.	COOL	DB/WB °C		27.0 / 19.0	
		HEAT			20.0 (15)	
	OUTDOOR ENTERING AIR TEMP.	COOL	DB/WB °C		35.0 / 24.0	
		HEAT			7.0 / 6.0	
PIPING	PIPE DIA. SIZE	LIQUID	mm (inch)		9.53 (3/8")	
		GAS			19.05 (3/4")	
	CONNECTION METHOD			Flare		
	BETWEEN	HEIGHT			Max. 30	
		PIPE LENGTH	m		Max. 50	

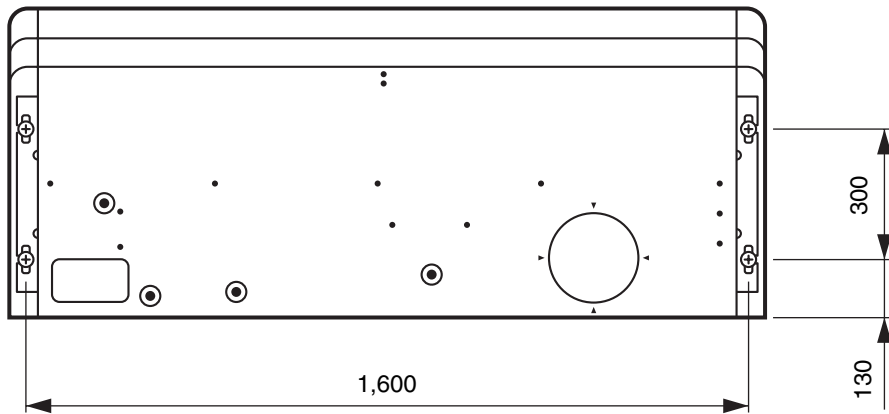
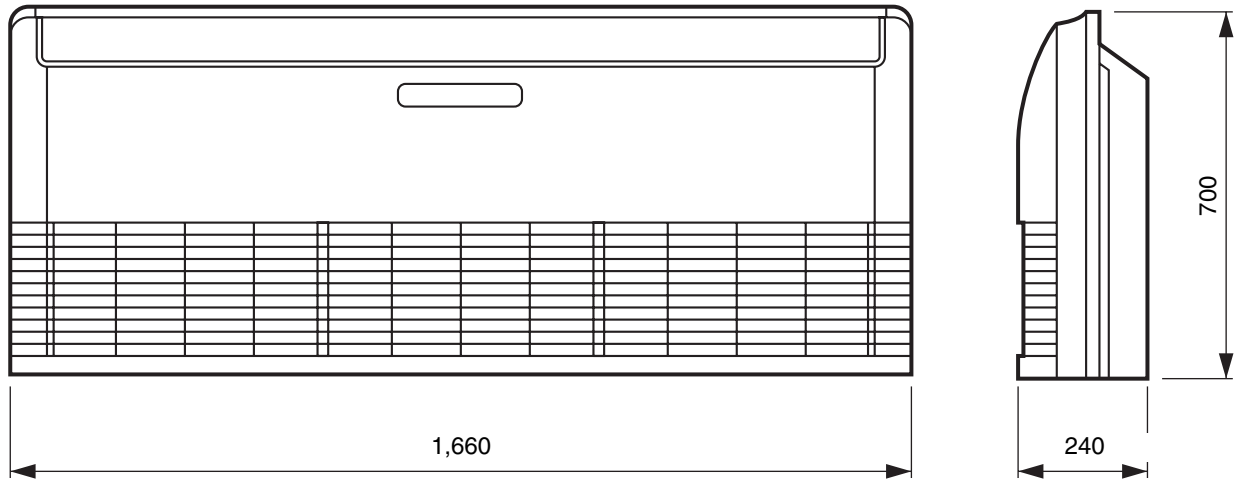
FULL CHARGE AMOUNT (R407C)

PIPE LENGTH MODELS	10 m (33 ft)	20 m (66 ft)	30 m (99 ft)	40 m (132 ft)	50 m (164 ft)	Additional refrigerant
ABG36TBA3W ABY36TBA3W	2,600 g (91.9 oz)		2,900 g (102.5 oz)	3,200 g (113.1 oz)	3,500 g (123.7 oz)	30 g/m (1.06 oz / 3.3 ft)
ABG45TBA3W ABY45TBA3W	3,500 g (123.7 oz)		3,800 g (134.3 oz)	4,100 g (144.9 oz)	4,400 g (155.5 oz)	

OUTLINE AND DIMENSIONS

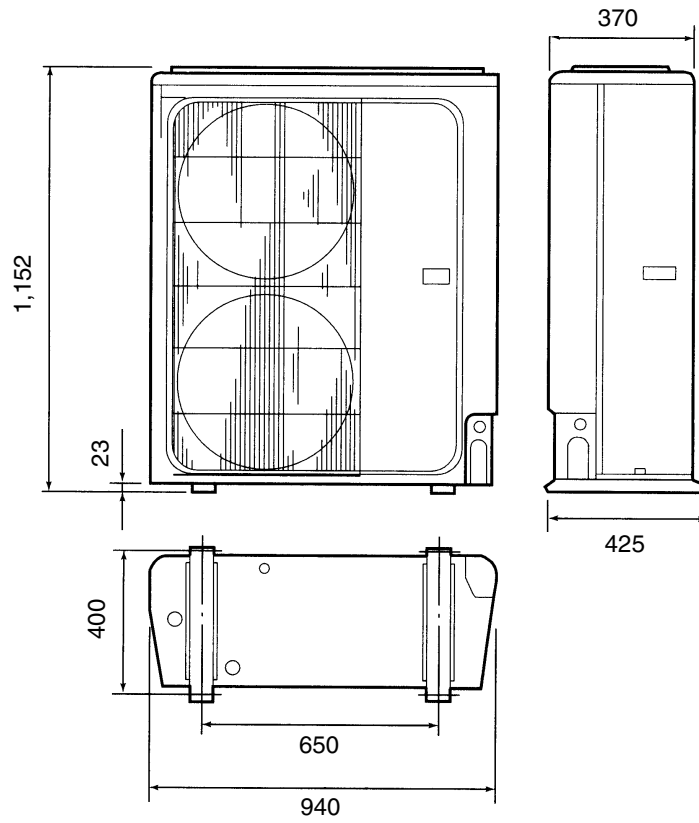
Models : ABG36TBA3W
ABY36TBA3W
ABG45TBA3W
ABY45TBA3W

Unit : mm



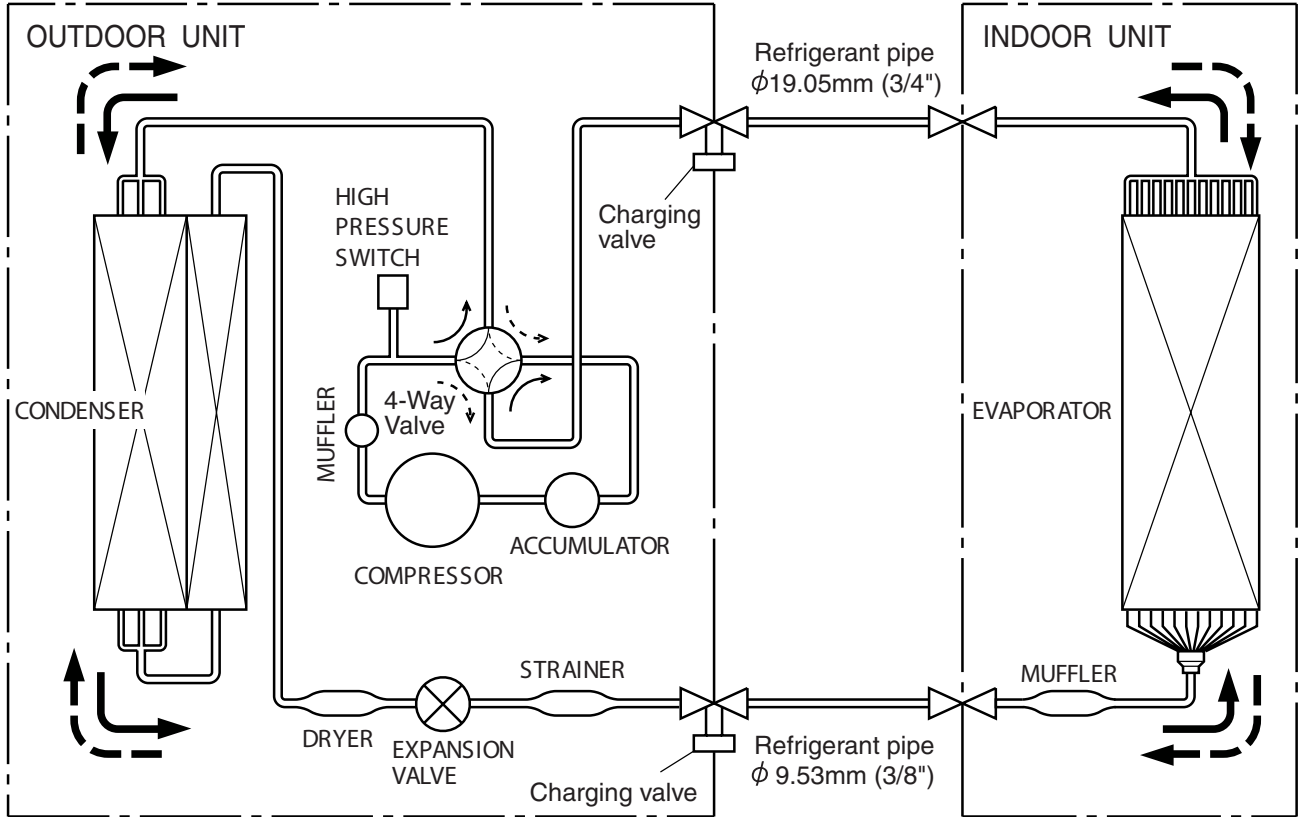
Models : AOG36TPB3L
AOY36TPB3L
AOG45TPB3L
AOY45TPB3L

Unit : mm

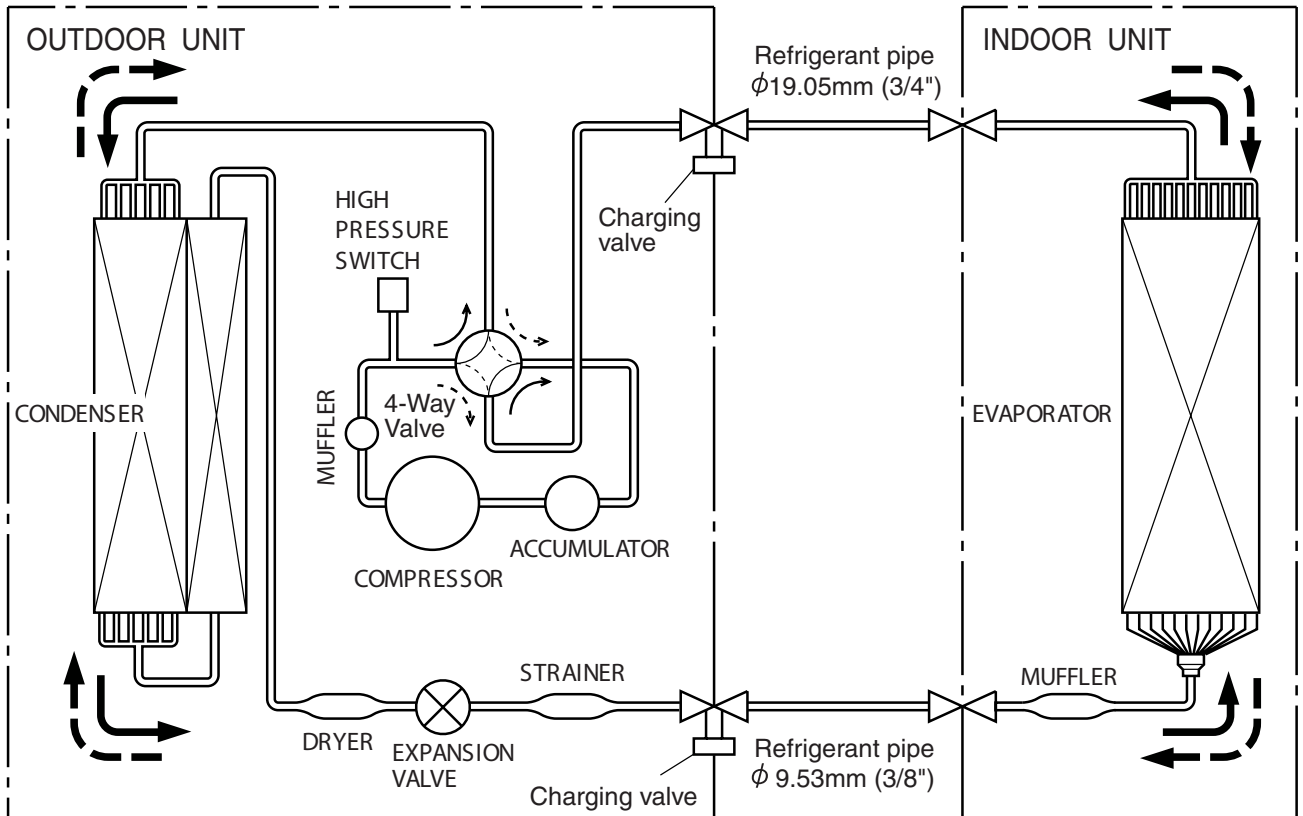


REFRIGERANT SYSTEM DIAGRAM

Models : **ABG36TBA3W / AOG36TPB3L**
ABY36TBA3W / AOY36TPB3L



Models : **ABG45TBA3W / AOG45TPB3L**
ABY45TBA3W / AOY45TPB3L

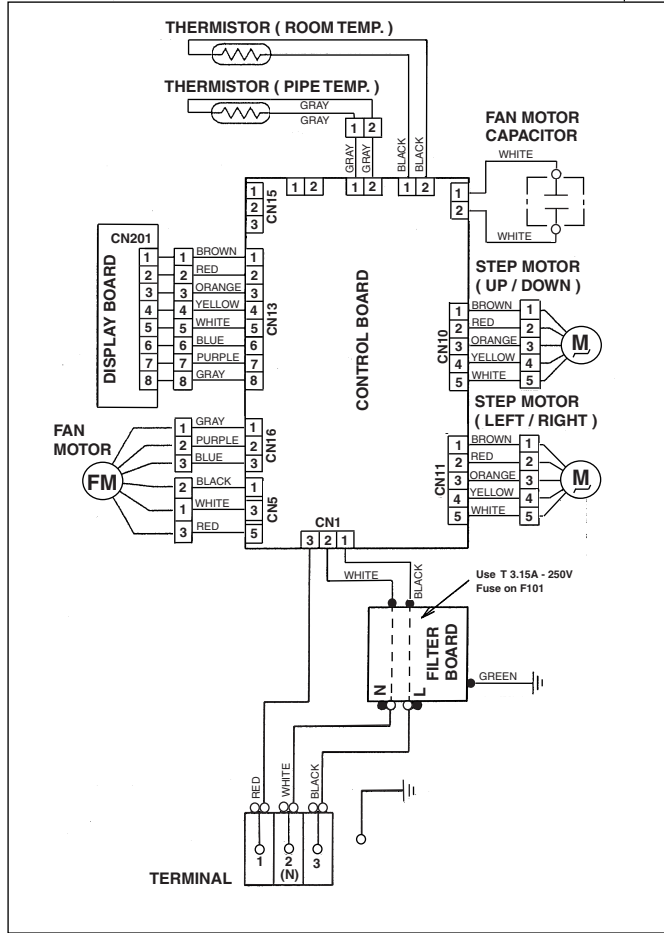


—> : COOL
 - -> : HEAT

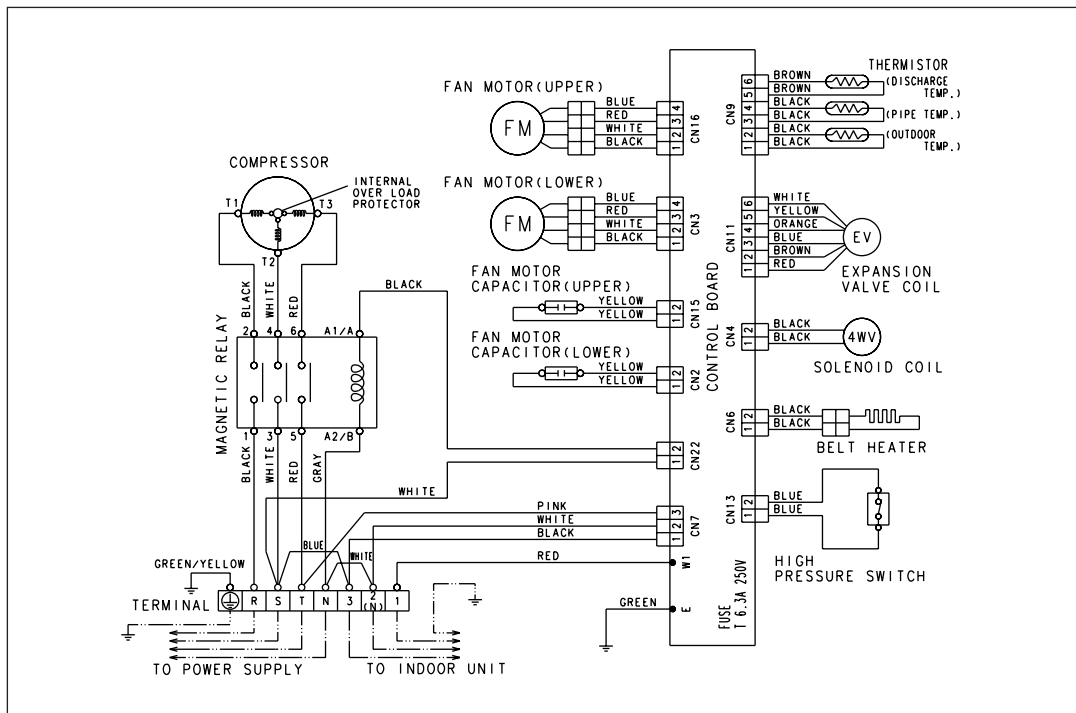
CIRCUIT DIAGRAM

Models : ABG36TBA3W / AOG36TPB3L
 ABY36TBA3W / AOY36TPB3L
 ABG45TBA3W / AOG45TPB3L
 ABY45TBA3W / AOY45TPB3L

INDOOR UNIT



OUTDOOR UNIT



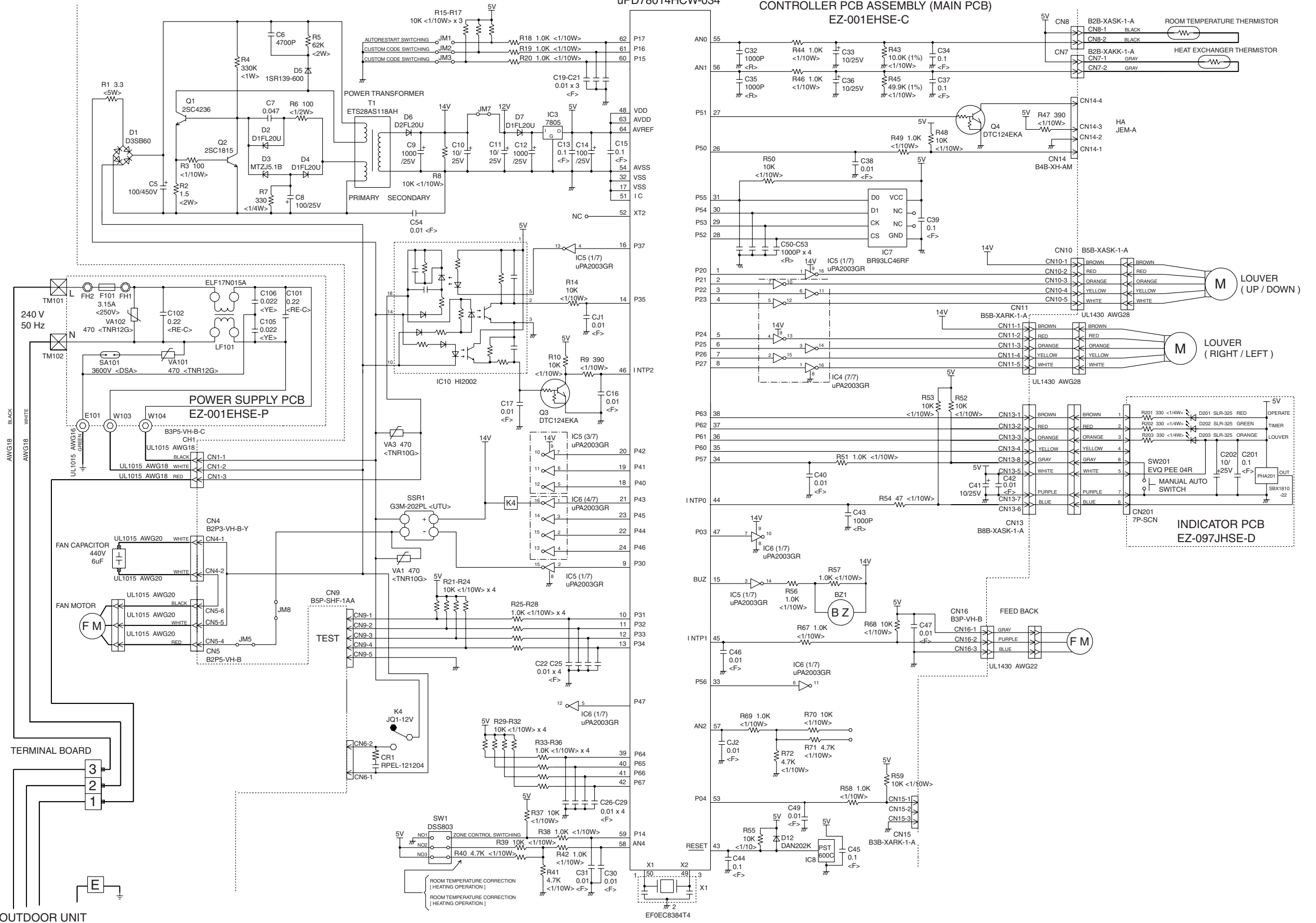
Models : ABG36TBA3W
 ABY36TBA3W
 ABG45TBA3W
 ABY45TBA3W

INDOOR PRINTED CIRCUIT BOARD CIRCUIT DIAGRAM

IC 1

uPD78014HCW-034

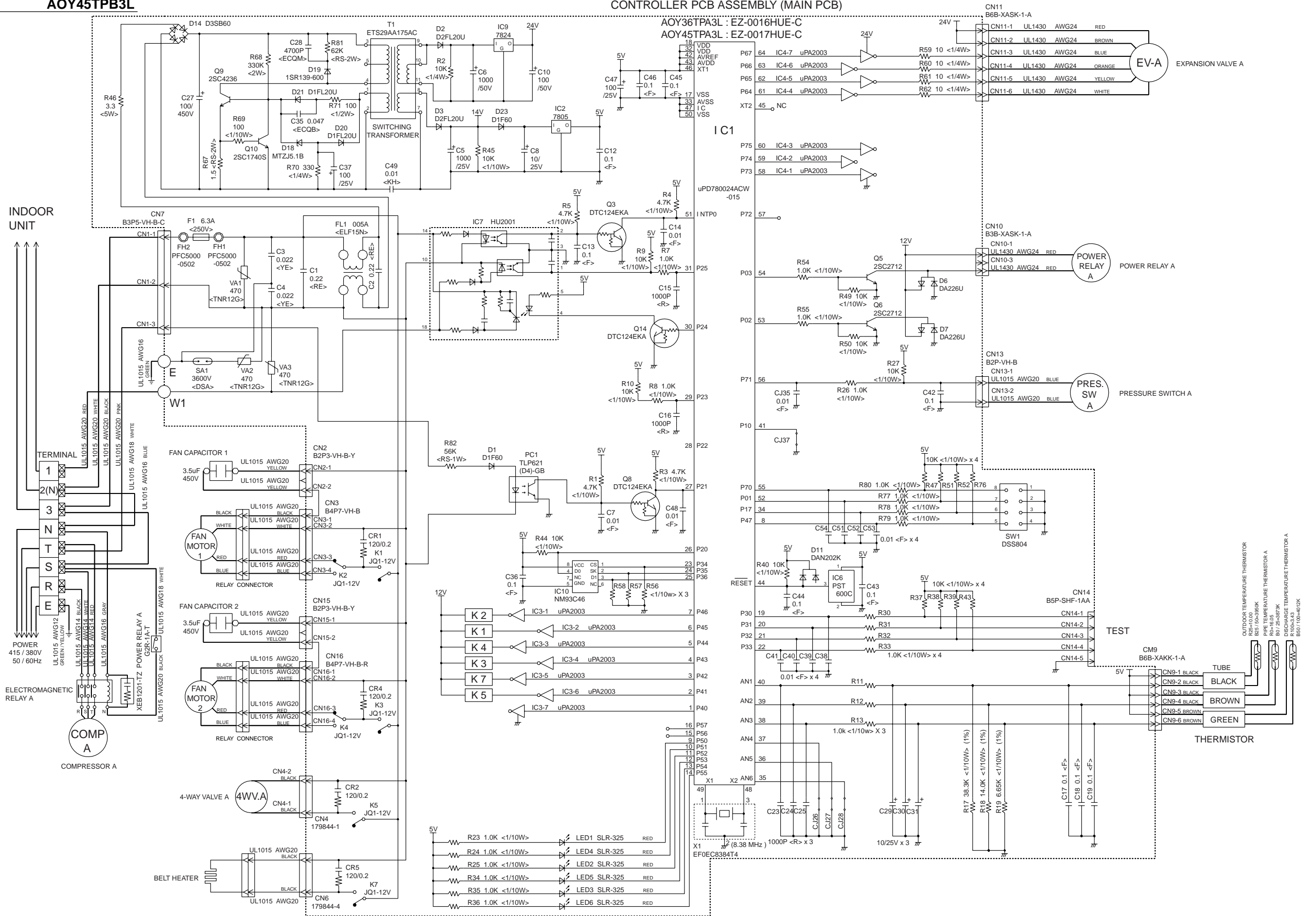
CONTROLLER PCB ASSEMBLY (MAIN PCB)
 EZ-001EHSE-C



Models : AOG36TPB3L
 AOY36TPB3L
 AOG45TPB3L
 AOY45TPB3L

OUTDOOR PRINTED CIRCUIT BOARD CIRCUIT DIAGRAM

CONTROLLER PCB ASSEMBLY (MAIN PCB)

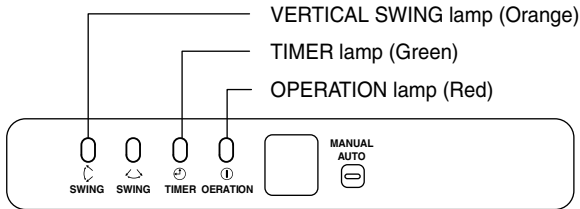


ERROR CONTENTS

1. INDOOR UNIT

Operation can be checked by lighting and flashing of the display section OPERATION, TIMER, and VERTICAL SWING lamps.

Perform judgment in accordance with the following.



TEST RUNNING

When the air conditioner is run by pressing the remote control unit test run button, the OPERATION, TIMER, and VERTICAL SWING lamps flash slowly at the same time.

ERROR

The OPERATION, TIMER, and VERTICAL SWING lamps operate as follows (Table 1) according to the error contents.

Table 1

Error contents	Error display		
	OPERATION lamp	TIMER lamp	VERTICAL SWING lamp
Indoor EEPROM abnormal	○	○	X
Outdoor EEPROM abnormal	○	○	○
Indoor room temperature sensor open	(2 times) ●	○	X
Indoor room temperature sensor short-circuited	(2 times) ●	○	○
Indoor heat exchanger temperature sensor open	(3 times) ●	○	X
Indoor heat exchanger temperature sensor short-circuited	(3 times) ●	○	○
Float switch operated	(4 times) ●	○	X
Indoor signal abnormal	(5 times) ●	○	X
Outdoor signal abnormal	(5 times) ●	○	○
Indoor fan abnormal	(6 times) ●	○	X
Outdoor power source connection abnormal	○	(2 times) ●	X
Outdoor heat exchanger temperature sensor open	○	(3 times) ●	X
Outdoor heat exchanger temperature sensor short-circuited	○	(3 times) ●	○
Outdoor temperature sensor open	○	(4 times) ●	X
Outdoor temperature sensor short-circuited	○	(4 times) ●	○
Outdoor discharge pipe temperature sensor open	○	(5 times) ●	X
Outdoor discharge pipe temperature sensor short-circuited	○	(5 times) ●	○
Outdoor high pressure abnormal	○	(6 times) ●	X
Outdoor discharge pipe temperature abnormal	○	(7 times) ●	X

○ : 0.1s ON / 0.1s OFF (flash) X : OFF
 ● : 0.5s ON / 0.5s OFF (flash)

2. OUTDOOR UNIT

When the outdoor temperature drops, the outdoor unit's fans may switch to low speed, or one of the fans may stop intermittently.

ERROR : Reverse cycle only

The LED lamps operate as follows (Table 2) according to the error contents.

Table 2

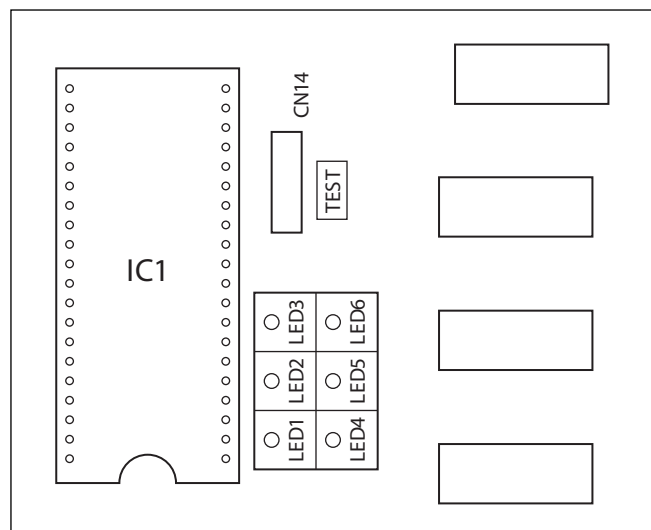
Error contents	LED1	LED2	LED3	LED4	LED5	LED6
Signal abnormal	-	-	X	○	X	X
Indoor unit abnormal	-	-	X	X	○	X
Discharge pipe temperature abnormal	-	-	X	X	X	○
Outdoor heat exchanger temperature abnormal	-	-	X	X	○	○
Outdoor temperature abnormal	-	-	X	○	X	○
Power source connection error	-	-	○	X	X	X
EEPROM abnormal	-	-	○	○	○	○
	◎	◎	◎	◎	◎	◎
Outdoor high pressure abnormal	○	-	-	-	-	-
Discharge pipe temperature abnormal	-	○	-	-	-	-

○ : 0.5s ON / 0.5s OFF (flash) X : OFF
 ◎ : 0.1s ON / 0.1s OFF (flash) - : Indefinite

When the fault is cleared, the LED lamp goes off.

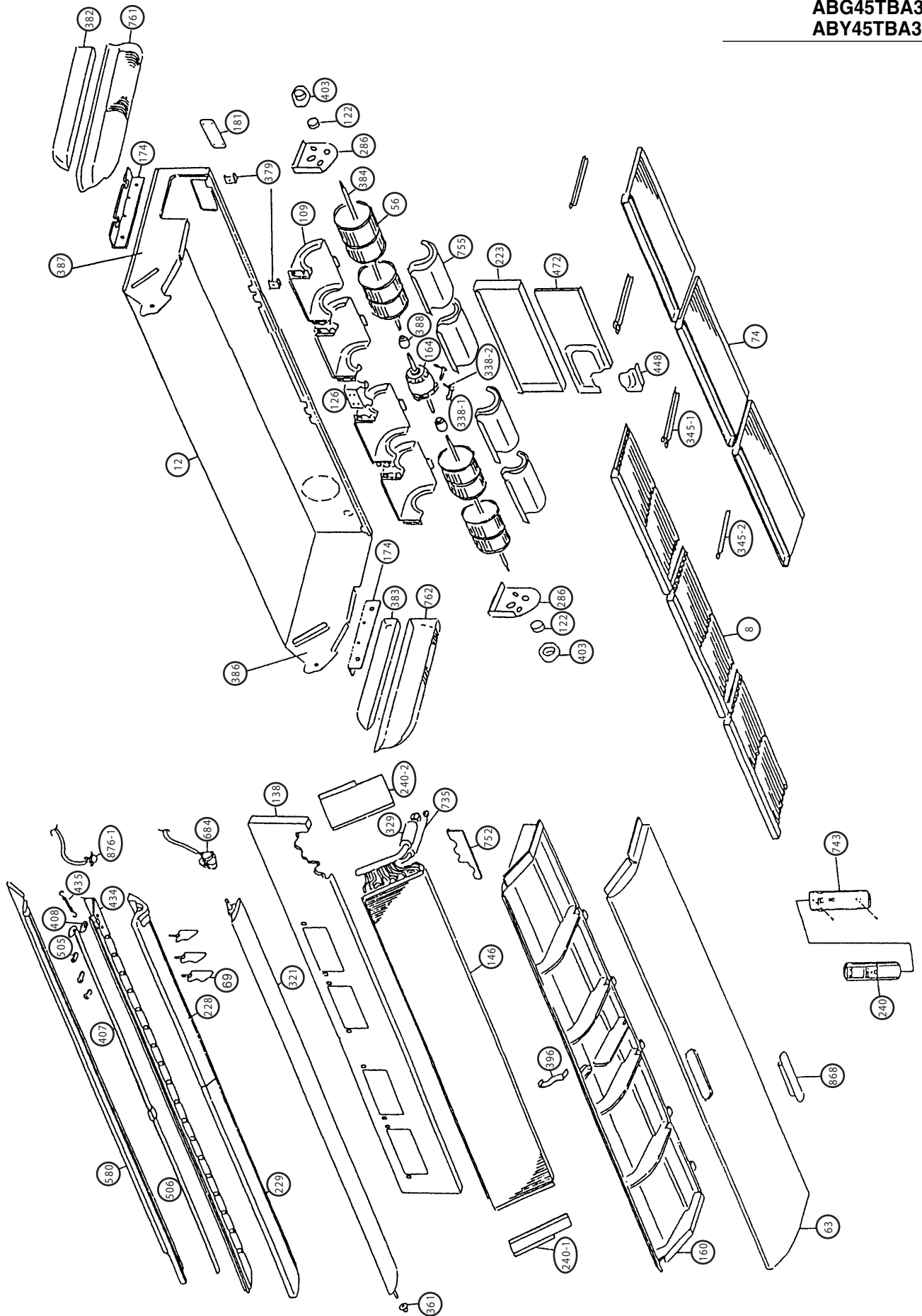
However, for discharge pipe temperature abnormal and high pressure abnormal, the LED lamp lights continuously for 24 hours, as long as the power is not turned off.

ERROR LED DISPLAY LAYOUT

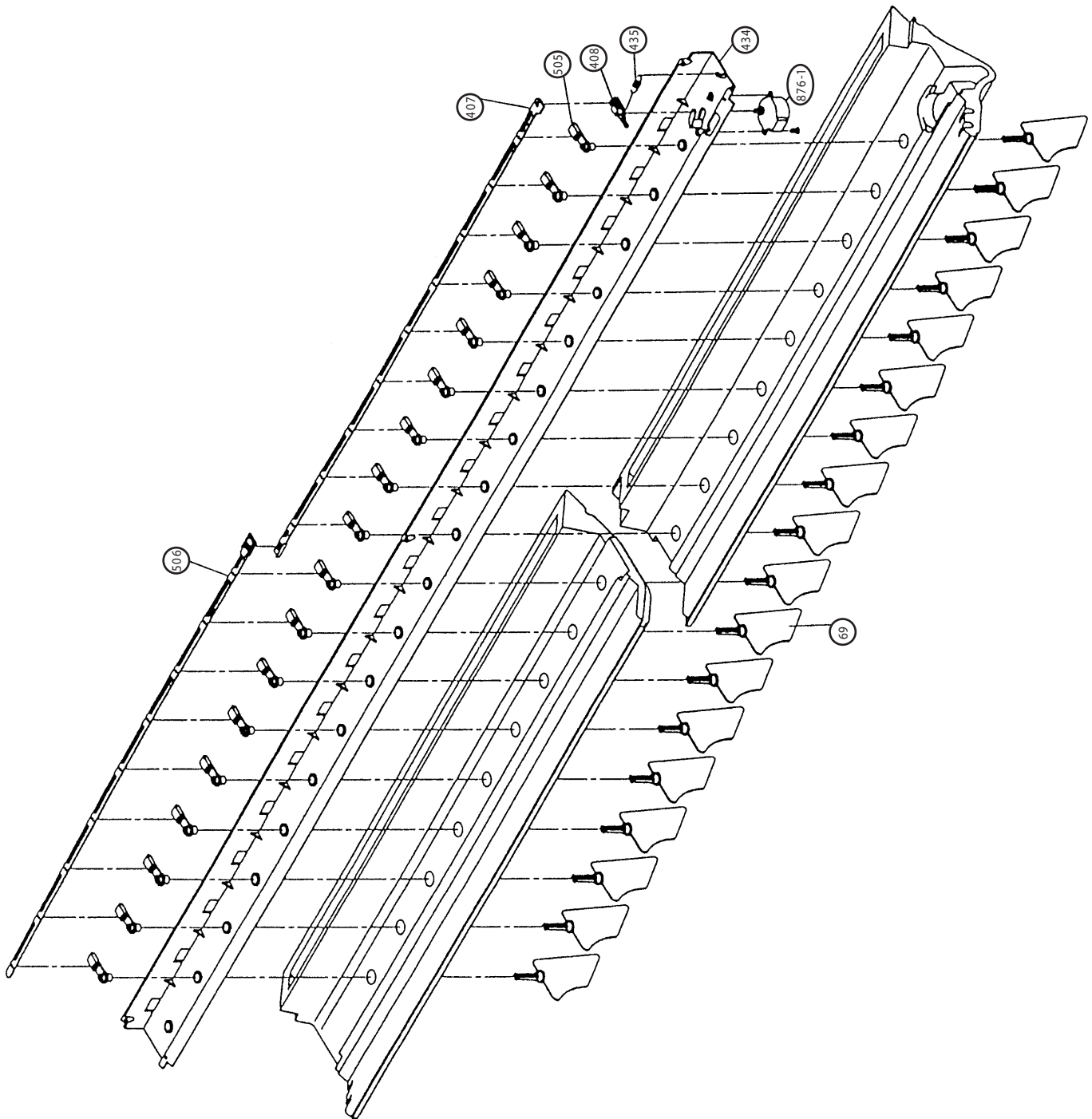


DISASSEMBLY ILLUSTRATION

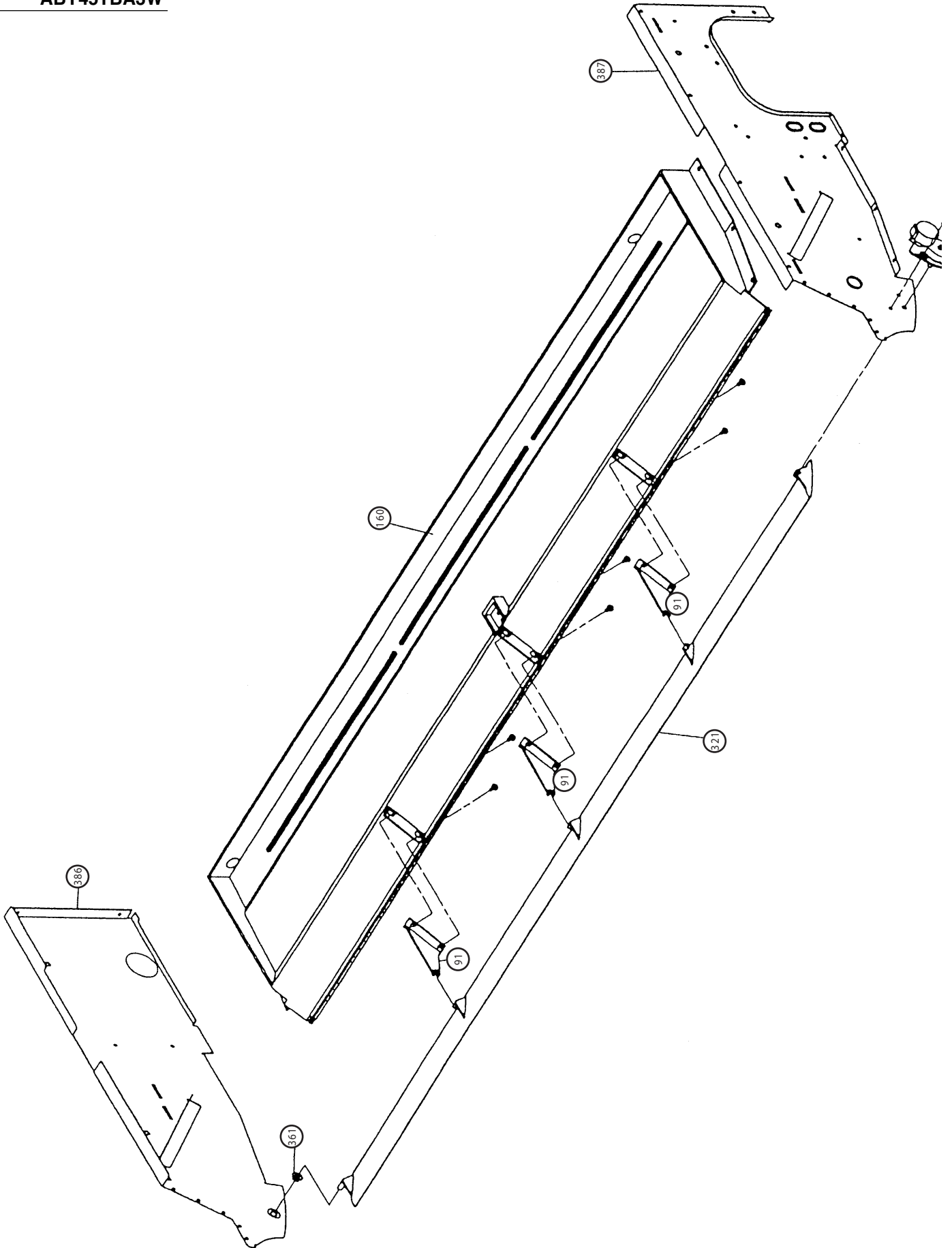
Models : ABG36TBA3W
ABY36TBA3W
ABG45TBA3W
ABY45TBA3W



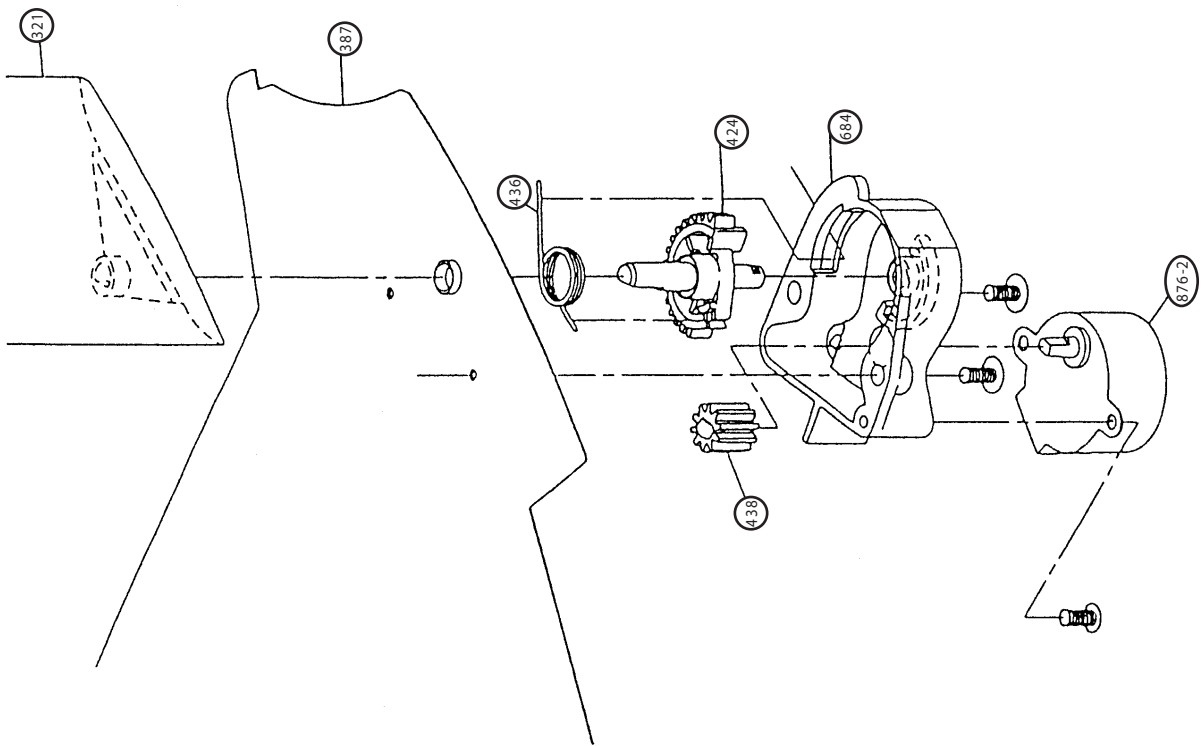
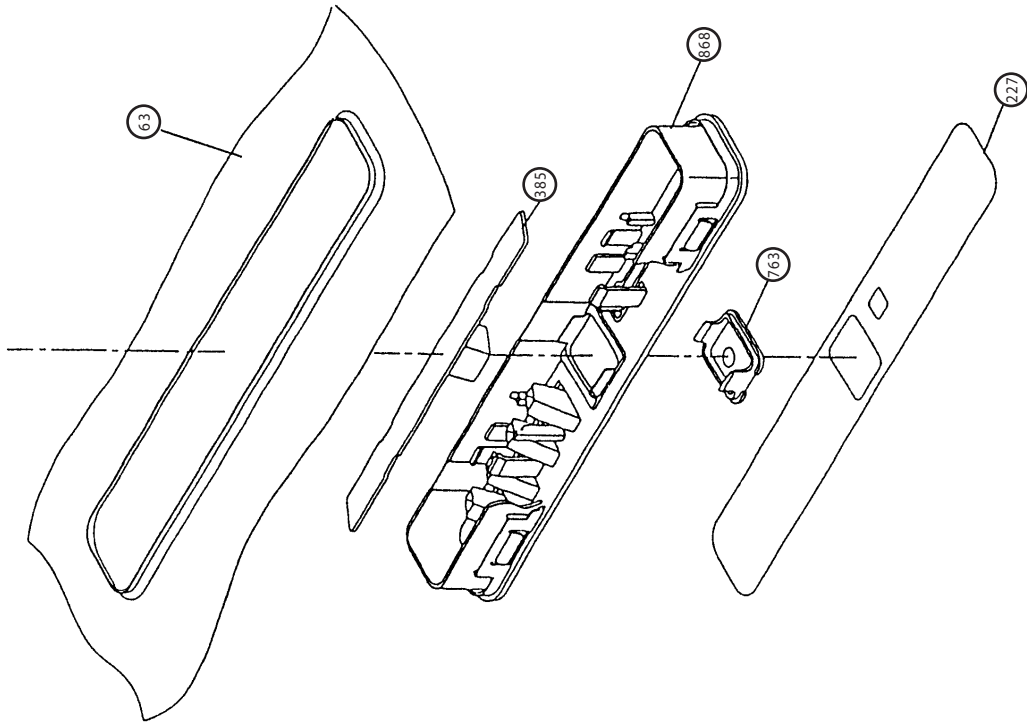
Models : ABG36TBA3W
ABY36TBA3W
ABG45TBA3W
ABY45TBA3W



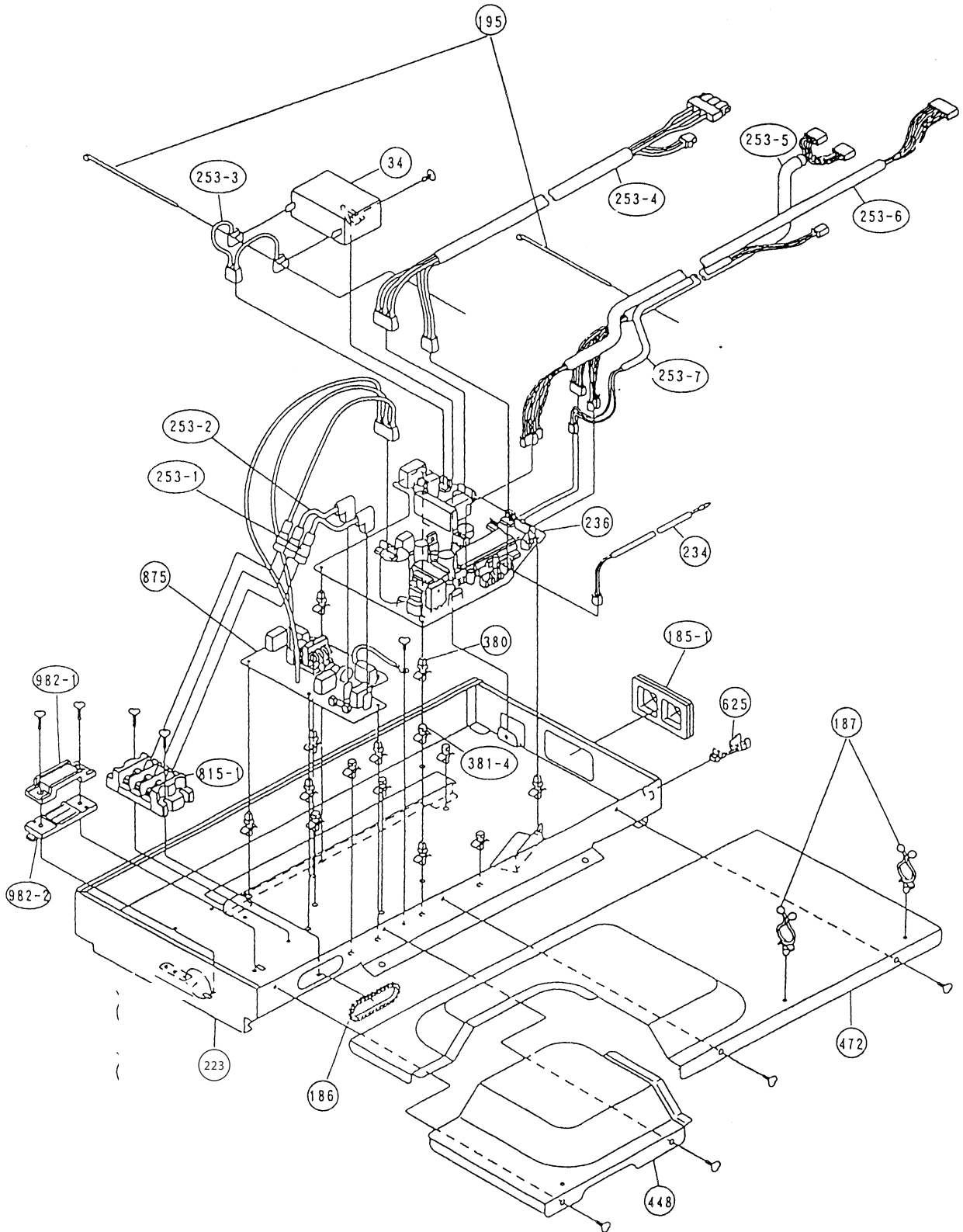
Models : ABG36TBA3W
ABY36TBA3W
ABG45TBA3W
ABY45TBA3W



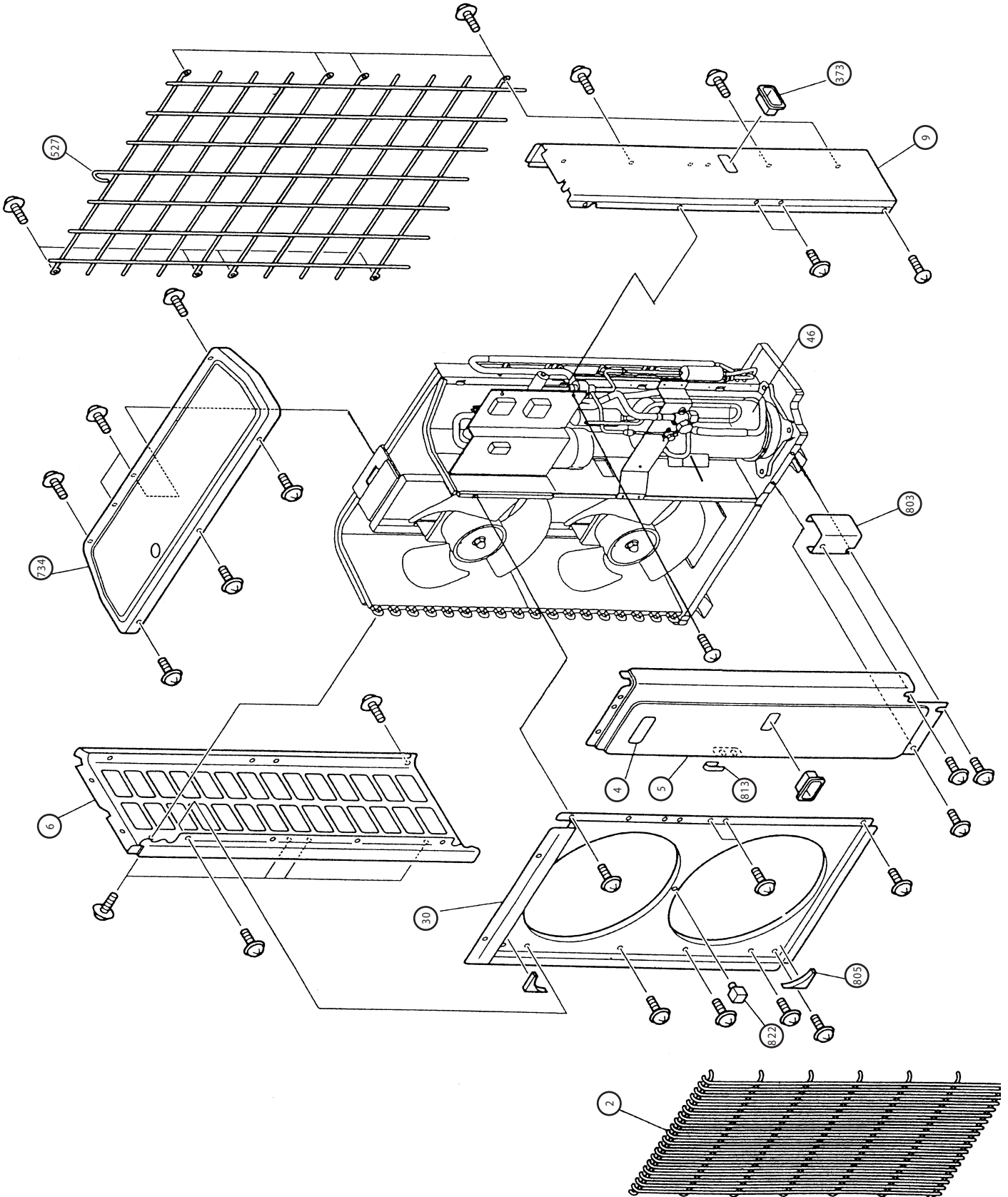
Models : ABG36TBA3W
ABY36TBA3W
ABG45TBA3W
ABY45TBA3W



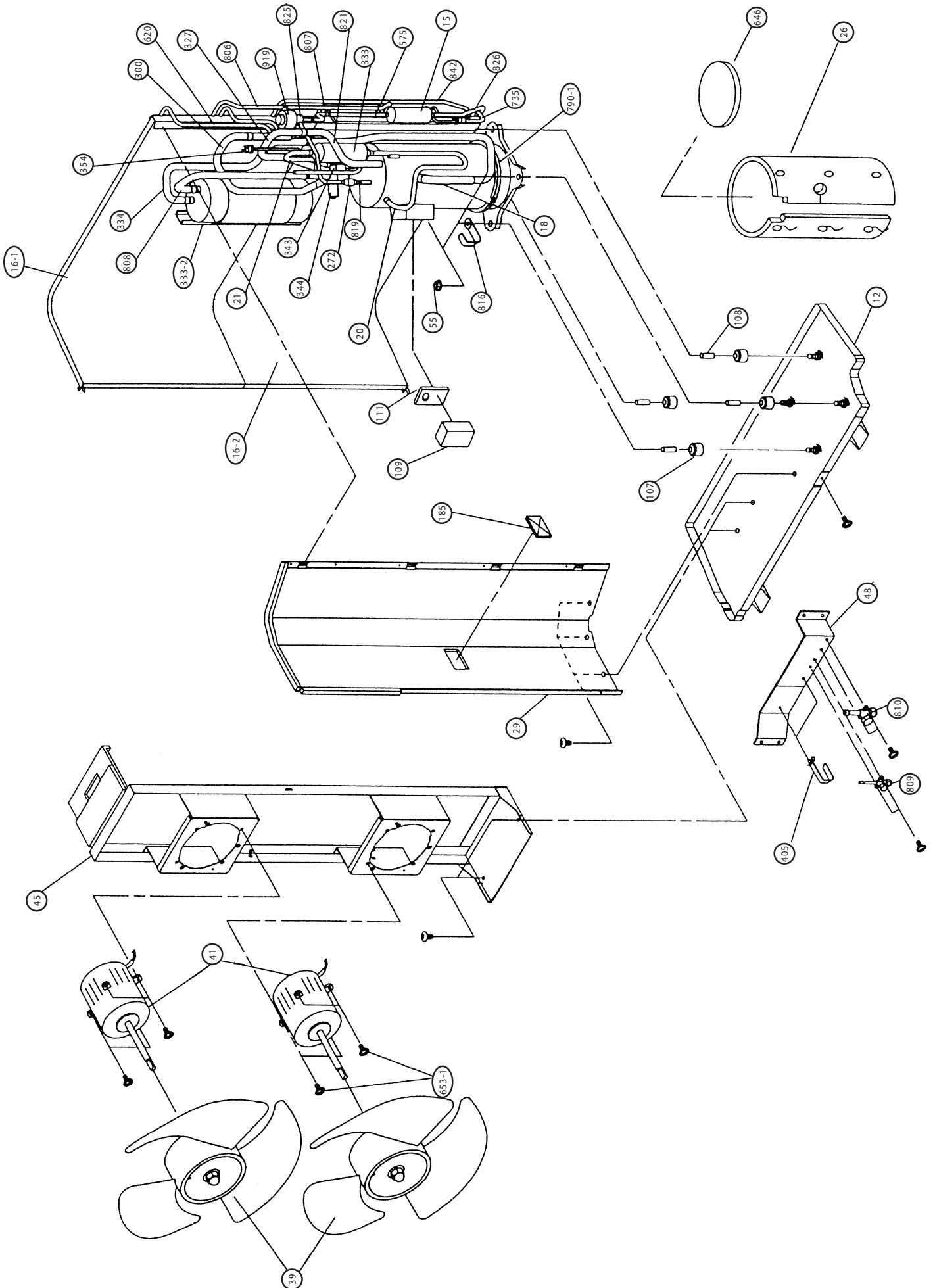
Models : ABG36TBA3W
ABY36TBA3W
ABG45TBA3W
ABY45TBA3W

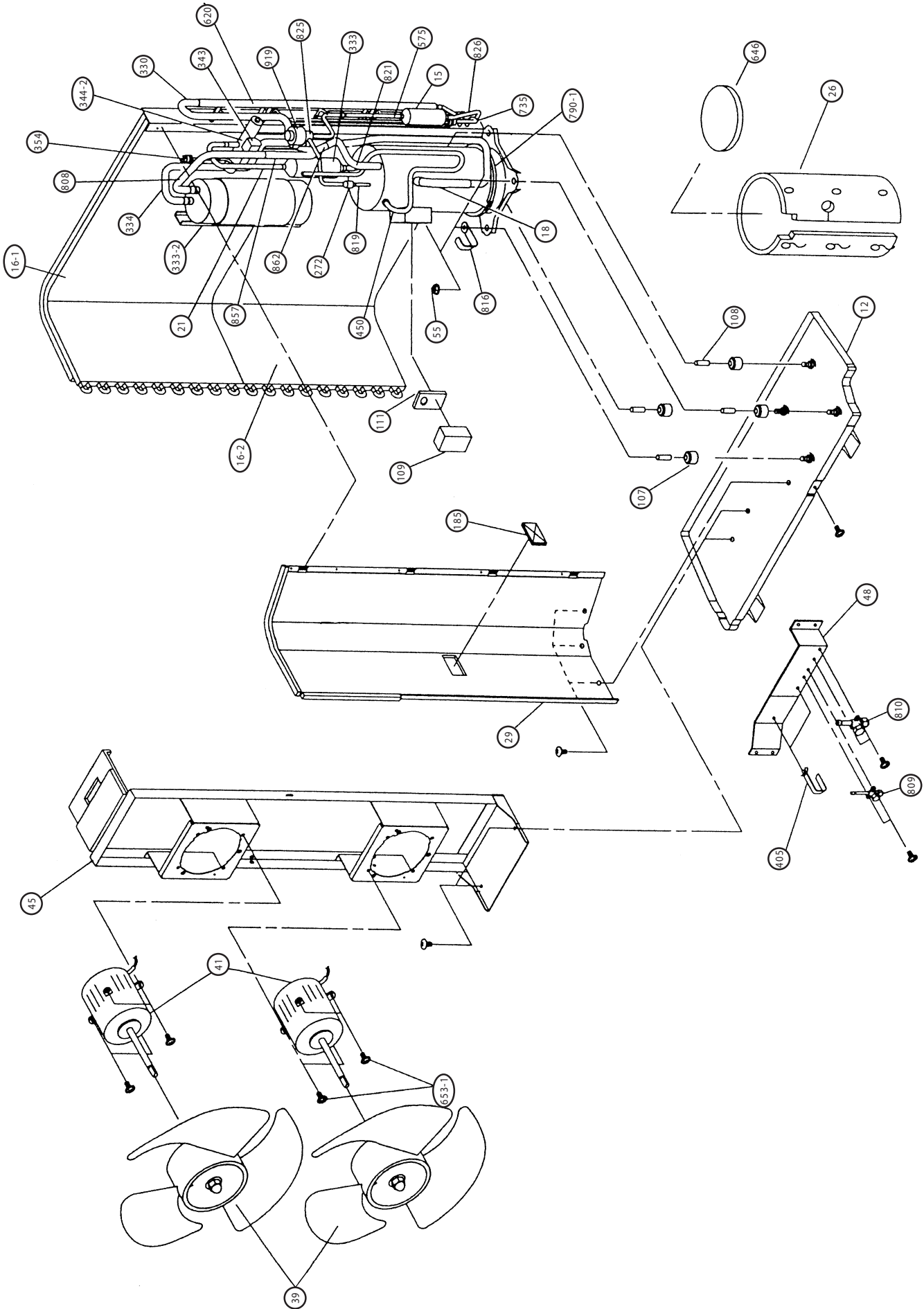


Models : AOG36TPB3L
AOY36TPB3L
AOG45TPB3L
AOY45TPB3L

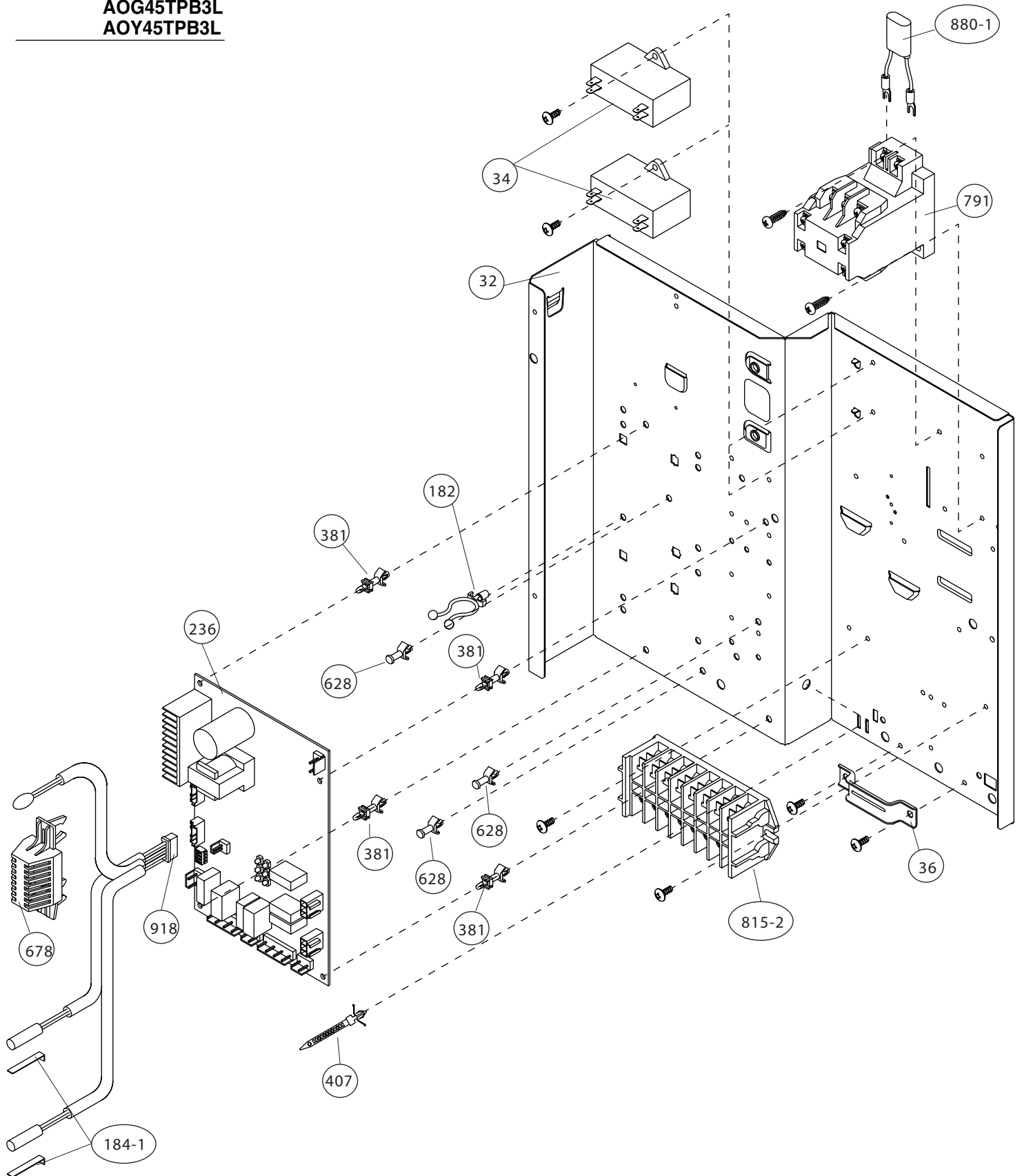


Models : AOG36TPB3L
AOY36TPB3L





Models : AOG36TPB3L
AOY36TPB3L
AOG45TPB3L
AOY45TPB3L



PARTS LIST

When you order parts, please make a photocopy of this page and fill the number of the parts in the "Order" column.

INDOOR UNIT

Ref. No.	Description	Part No.				Ord. Qty
		ABG36TBA3W	ABG45TBA3W	ABY36TBA3W	ABY45TBA3W	
8	Air Filter	9359739005	9359739005	9359739005	9359739005	
12	Base Assy	9359680000	9359680000	9359680000	9359680000	
34	Capacitor (Fan Motor)	9703306068	9703306068	9703306068	9703306068	
56	Sirocco Fan Assy	9359701002	9359701002	9359701002	9359701002	
63	Panel (Front)	9359734000	9359734000	9359734000	9359734000	
69	Louver	9359719007	9359719007	9359719007	9359719007	
74	Intake Grille	9359738008	9359738008	9359738008	9359738008	
91	Hinge	9359699002	9359699002	9359699002	9359699002	
109	Casing	9359704003	9359704003	9359704003	9359704003	
122	Shaft Holder-B	9357921006	9357921006	9357921006	9357921006	
126	Motor Fixing Table	9359681007	9359681007	9359681007	9359681007	
138	Separate Wall	9359700005	9359700005	9359700005	9359700005	
146	Evaporator Assy	9364045009	9364045009	9364045009	9364045009	
160	Drain Pan	9359698005	9359698005	9359698005	9359698005	
164	Fan Motor Assy-IN	9360457004	9360457004	9360457004	9360457004	
174	Hanger Bracket	9359742005	9359742005	9359742005	9359742005	
181	Hole Cover	9359691006	9359691006	9359691006	9359691006	
185-1	Rubber Bushing	9357376004	9357376004	9357376004	9357376004	
186	Edge Cover	9361049017	9361049017	9361049017	9361049017	
187	Clamp No.1219	313361271706	313361271706	313361271706	313361271706	
195	Clamp SKB-100	313361275805	313361275805	313361275805	313361275805	
223	Control Box Assy	9359708001	9359708001	9359708001	9359708001	
227	Badge "GENERAL"	9359735021	9359735021	-----	-----	
227	Badge "FUJITSU"	-----	-----	9359735014	9359735014	
228	Insulation (Louver)-R	9359721000	9359721000	9359721000	9359721000	
229	Insulation (Louver)-L	9359722007	9359722007	9359722007	9359722007	
234	Thermistor	9703299025	9703299025	9703299025	9703299025	
236	Controller PCB Assy	9704557391	9704557261	9704557391	9704557261	
240	Remote Control Unit	9371190013	9371190013	9371190013	9371190013	
240-1	Cover Panel (Pipe)-L	9359690009	9359690009	9359690009	9359690009	
240-2	Cover Panel (Pipe)-R	9359689003	9359689003	9359689003	9359689003	
253-1	Wire Assy (Connector)	9702321017	9702321017	9702321017	9702321017	
253-2	Wire Assy (Connector)	9702322014	9702322014	9702322014	9702322014	
253-3	Wire Assembly	9702311018	9702311018	9702311018	9702311018	
253-4	Wire Assy (Connector)	9702323011	9702323011	9702323011	9702323011	
253-5	Wire Assy (Connector)	9702319014	9702319014	9702319014	9702319014	
253-6	Wire Assy (Connector)	9702317010	9702317010	9702317010	9702317010	
253-7	Wire Assy (Connector)	9702318017	9702318017	9702318017	9702318017	
286	Shaft Holder Bracket	9359686002	9359686002	9359686002	9359686002	
321	Flap Assy	9359731009	9359731009	9359731009	9359731009	
329	Coupling Pipe Assy	9364047003	9364047003	9364047003	9364047003	
338-1	Fixture (Motor)	9359702009	9359702009	9359702009	9359702009	
338-2	Fixture (Motor)-B	9359703006	9359703006	9359703006	9359703006	
345-1	Filter Guide-R	9359692003	9359692003	9359692003	9359692003	
345-2	Filter Guide-L	9359693000	9359693000	9359693000	9359693000	
361	Bushing	9359733003	9359733003	9359733003	9359733003	
379	Hinge Plate (Grill)	9359694007	9359694007	9359694007	9359694007	
380	Locking Spacer KGLS-6S	313209391403	313209391403	313209391403	313209391403	
381-4	Locking Spacer KGPS-6S	0600118075	0600118075	0600118075	0600118075	
382	Cover (Decoration)-R	9359744009	9359744009	9359744009	9359744009	
383	Cover (Decoration)-L	9359745006	9359745006	9359745006	9359745006	
384	Shaft	9359707004	9359707004	9359707004	9359707004	
385	Indicator PCB Assy	9702260019	9702260019	9702260019	9702260019	
386	Panel-Left Assy	9359685005	9359685005	9359685005	9359685005	
387	Panel-Right Assy	9359683001	9359683001	9359683001	9359683001	
388	Joint Assy	9359706007	9359706007	9359706007	9359706007	
396	Reinforcement Metal	9359697008	9359697008	9359697008	9359697008	
403	Shaft Holder Fixture	9359687009	9359687009	9359687009	9359687009	
407	Rod (Motor)	9359723004	9359723004	9359723004	9359723004	
408	Louver Link	9359726005	9359726005	9359726005	9359726005	

ABG36TBA3W
 ABG45TBA3W
 ABY36TBA3W
 ABY45TBA3W

When you order parts, please make a photocopy of this page and fill the number of the parts in the "Order" column.

INDOOR UNIT (Continued)

Ref. No.	Description	Part No.				Ord. Qty
		ABG36TBA3W	ABG45TBA3W	ABY36TBA3W	ABY45TBA3W	
424	Sector Gear	9359729006	9359729006	9359729006	9359729006	
434	Louver Base	9359718000	9359718000	9359718000	9359718000	
435	Louver Spring	9359720003	9359720003	9359720003	9359720003	
436	Flap Spring	9359730002	9359730002	9359730002	9359730002	
438	Pinion Gear	9359728009	9359728009	9359728009	9359728009	
448	Control Box-B	9359713005	9359713005	9359713005	9359713005	
472	Control Box-A	9359712008	9359712008	9359712008	9359712008	
505	Louver Stopper	9359724001	9359724001	9359724001	9359724001	
506	Louver Rod	9359725008	9359725008	9359725008	9359725008	
580	Cover (Top)	9359737001	9359737001	9359737001	9359737001	
625	Cord Bushing	9359240006	9359240006	9359240006	9359240006	
684	Motor Base	9359727002	9359727002	9359727002	9359727002	
735	Distributor Assy	9364046006	9364046006	9364046006	9364046006	
743	Remote Control Holder Case	9371190013	9371190013	9371190013	9371190013	
752	Pipe Fixture Metal	9359688006	9359688006	9359688006	9359688006	
755	Cover (Casing)	9359705000	9359705000	9359705000	9359705000	
761	Cover (Side)-R	9359740001	9359740001	9359740001	9359740001	
762	Cover (Side)-L	9359741008	9359741008	9359741008	9359741008	
763	Cover (Receiver)	9359714002	9359714002	9359714002	9359714002	
815-1	Terminal-3P	9358660027	9358660027	9358660027	9358660027	
868	PCB Holder	9359736004	9359736004	9359736004	9359736004	
875	Power Supply PCB Assy	9704561060	9704561060	9704561060	9704561060	
876-1	Step Motor-H	9360479013	9360479013	9360479013	9360479013	
876-2	Step Motor-V	9360307026	9360307026	9360307026	9360307026	
982-1	Cord Clamp-A	9359820017	9359820017	9359820017	9359820017	
982-2	Cord Clamp-B	9359821014	9359821014	9359821014	9359821014	

When you order parts, please make a photocopy of this page and fill the number of the parts in the "Order" column.

OUTDOOR UNIT



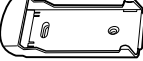

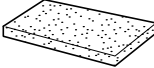

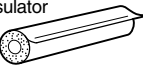

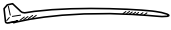


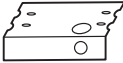

Ref. No.	Description	Part No.				Ord. Qty
		AOG36TPB3L	AOG45TPB3L	AOY36TPB3L	AOY45TPB3L	
2	Fan Cover	9352159015	9352159015	9352159015	9352159015	
4	Emblem-Rear	313791088308	313791088308	9351355005	9351355005	
5	Cabinet-A, Painted	9352146015	9352146015	9352146015	9352146015	
6	Cabinet-C, Painted	9352149016	9352149016	9352149016	9352149016	
9	Cabinet-B, Painted	9352147012	9352147012	9352147012	9352147012	
12	Base Assy, Painted	9352136016	9352136016	9352136016	9352136016	
15	Dryer	9369978043	9369978043	9369978043	9369978043	
16-1	Condenser-A Assy	9368356002	9368409005	9368356002	9368409005	
16-2	Condenser-B Assy	9368353001	9368536008	9368353001	9368536008	
18	Suction Pipe Assy	9364514000	9364514000	9364514000	9364514000	
20	Discharge Pipe-A Assy	9368358006	----	9368358006	----	
21	Discharge Pipe-B Assy	9368347000	9368331009	9368347000	9368331009	
26	Compressor Cover-A	9364088006	9364088006	9364088006	9364088006	
29	Separate Wall	9355277013	9355277013	9355277013	9355277013	
30	Blower Cover, Painted	9352151019	9352151019	9352151019	9352151019	
32	Control Box Metal	9352134012	9352134012	9352134012	9352134012	
34	Capacitor (Fan Motor)	9357965024	9357965024	9357965024	9357965024	
36	Cord Holder Metal	9356934007	9356934007	9356934007	9356934007	
39	Propeller Fan Assy	9366378013	9366378013	9366378013	9366378013	
41	Fan Motor Assy-Out	9600832028	9600832028	9600832028	9600832028	
45	Bracket (Motor) Assy	9368108007	9368108007	9368108007	9368108007	
46	Compressor Assy	9370772012	9367376001	9370772012	9367376001	
48	Bracket (Coupler) Assy	9355281010	9355281010	9355281010	9355281010	
55	Special Nut M8 (For Comp.)	9355091008	9355091008	9355091008	9355091008	
107	Rubber Seat-A (For Comp.)	9364084008	9364084008	9364084008	9364084008	
108	Sleeve-A (For Comp.)	9364085005	9364085005	9364085005	9364085005	
109	Terminal Cover (For Comp.)	9364087009	9364087009	9364087009	9364087009	
111	Terminal Packing	9364086002	9364086002	9364086002	9364086002	
182	Clamp No. 149	313361271505	313361271505	313361271505	313361271505	
184-1	Thermo. Spring-A	313728262708	313728262708	313728262708	313728262708	
185	Rubber Bushing	313005066051	313005066051	313005066051	313005066051	
236	Controller PCB Assy	9704764119	9704764126	9704764119	9704764126	
272	Strainer Assy	9368343002	9368343002	9368343002	9368343002	
300	Suction Pipe-C	9368350000	----	9368350000	----	
327	Suction Pipe-A	9368348007	----	9368348007	----	
330	Inlet Pipe (Cond.)-A	----	9368334000	----	9368334000	
333	Accumulator	9350363018	9350363018	9350363018	9350363018	
333-2	Accumulator (B)	9368463007	9368463007	9368463007	9368463007	
334	Suction Pipe-B	9362557009	9362557009	9362557009	9362557009	
343	Solenoid Coil	9359616108	9359616108	9359616108	9359616108	
344	4-Way Valve	9353055002	----	9353055002	----	
344-2	4-Way Valve	----	9353532008	----	9353532008	
354	Pressure Switch	9703667008	9704045003	9703667008	9704045003	
373	Grip	9352157004	9352157004	9352157004	9352157004	
381	Locking Spacer	313209391506	313209391506	313209391506	313209391506	
405	Clamp No. 1763	313816345304	313816345304	313816345304	313816345304	
407	Clip (Cable) No. 1259	313739340109	313739340109	313739340109	313739340109	
450	Discharge Pipe-A	----	9368338008	----	9368338008	
527	Protection Net	9352163012	9352163012	9352163012	9352163012	
575	Condensing Pipe-C	9368535001	9368535001	9368535001	9368535001	
620	Inlet Pipe (Cond.) Assy	9368355005	9362532006	9368355005	9362532006	
628	Locking Spacer	313005446558	313005446558	313005446558	313005446558	
646	Compressor Cover-B	9364089003	9364089003	9364089003	9364089003	
653-1	Bolt (Fan Motor Fixing)	0700156014	0700156014	0700156014	0700156014	
678	Bracket (Thermistor)	313557406106	313557406106	313557406106	313557406106	
734	Cabinet Top Plate	9352161018	9352161018	9352161018	9352161018	
735	Distributor Assy	9368352004	9362533003	9368352004	9362533003	
790-1	Belt Heater-A	9361140066	9361140042	9361140066	9361140042	
791	Magnetic Relay	9900078010	9900078010	9900078010	9900078010	
803	Cabinet-D, Painted	9352150012	9352150012	9352150012	9352150012	
805	Blower Cover Corner	9352160011	9352160011	9352160011	9352160011	

When you order parts, please make a photocopy of this page and fill the number of the parts in the "Order" column.



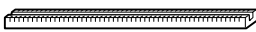
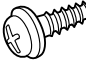
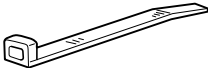

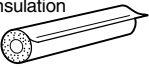



OUTDOOR UNIT (Continued)

Ref. No.	Description	Part No.				Ord. Qty
		AOG36TPB3L	AOG45TPB3L	AOY36TPB3L	AOY45TPB3L	
806	Cond. Pass Pipe-A Assy	9368351007	-----	9368351007	-----	
807	Cond. Pass Pipe-B	9368360009	-----	9368360009	-----	
808	Inlet Pipe (Accumulator)-A	9368349004	9368341008	9368349004	9368341008	
809	Ball Valve-A	9371799018	9371799018	9371799018	9371799018	
810	Ball Valve-B	9371799032	9371799032	9371799032	9371799032	
813	Cabinet Hook	9352148002	9352148002	9352148002	9352148002	
815-2	Terminal-8P	9363276022	9363276022	9363276022	9363276022	
816	Wire Clamp Metal	313584219902	313584219902	313584219902	313584219902	
819	Valve-A Coupl. Pipe	9368342005	9368342005	9368342005	9368342005	
821	Joint Pipe (Valve-B)	9364080000	9368340001	9364080000	9368340001	
822	Fan Cover Fixture-A	9352158018	9352158018	9352158018	9352158018	
825	Expansion Valve Assy	9368364007	9368363000	9368364007	9368363000	
826	Condensing Pipe-B	9368354008	9368335007	9368354008	9368335007	
842	Cond. Pass Pipe-C	9368361006	-----	9368361006	-----	
857	Inlet Pipe (Accumulator)-B	-----	9368333003	-----	9368333003	
862	Valve-B Coupl. Pipe	-----	9368332006	-----	9368332006	
880-1	Network	9700987017	9700987017	9700987017	9700987017	
918	Thermistor Assy	9900129019	9900129019	9900129019	9900129019	
919	Expansion Valve Coil	9363467017	9363467017	9363467017	9363467017	

INDOOR UNIT ACCESSORIES

Name and Shape	Q'ty	Application	Parts No.
Remote control unit 	1	Use for air conditioner operation	93599113016 (AR-JW1)
Battery (pen light) 	2	For remote control unit	0600185534
Remote control unit holder 	1	For mounting the remote control unit	9305642014
Tapping screw (φ3 x 12) 	3	For remote control unit holder installation	301141533125
Drain hose insulation 	1	Adhesive type 70 x 230	9360464002
VT wire 	1	For fixing the drain hose L 280 mm	313806350303
Coupler heat insulator (large) 	2	For indoor side pipe joint (large pipe)	9350716029
Coupler heat insulator (small) 	1	For indoor side pipe joint (small pipe)	9352766015
Nylon fastener 	Large 4	For fixing the coupler heat insulator	9301501001
	Small 4		312300787605
Special nut A (large flange) 	4	For installing indoor unit	313005446653
Special nut B (small flange) 	4	For installing indoor unit	313005446759
Installation template 	1	For positioning the indoor unit Cap (drain)	9360022004
Auxiliary pipe assembly 	1	For connecting the piping	9360463005

OUTDOOR UNIT ACCESSORIES

Name and Shape	Q'ty	Application	Parts No.
Power cap 	1	For power cord insulation	9352173011
Auxiliary pipe assembly 	1	For wiring conduit (gas side) connection (May not be supplied, depending on the model)	9355292016
Edge cover 	1	For wiring conduit installation hole edge protection	9352436000
Tapping screw 	2	•For cabinet A and cabinet D mounting (1) •Spare (1)	301463040100
Binder 	1	For power cord binding	313035356905
Putty 	1	For sealing	303020200114
Coupler heat insulation 	1	For outdoor side pipe joint	313005074759
Pipe (drain) 	1	For outdoor unit drain piping work (Heat & Cool model only))	313728031005
Flexible tube 	1		313013042915
	2		313166024302

