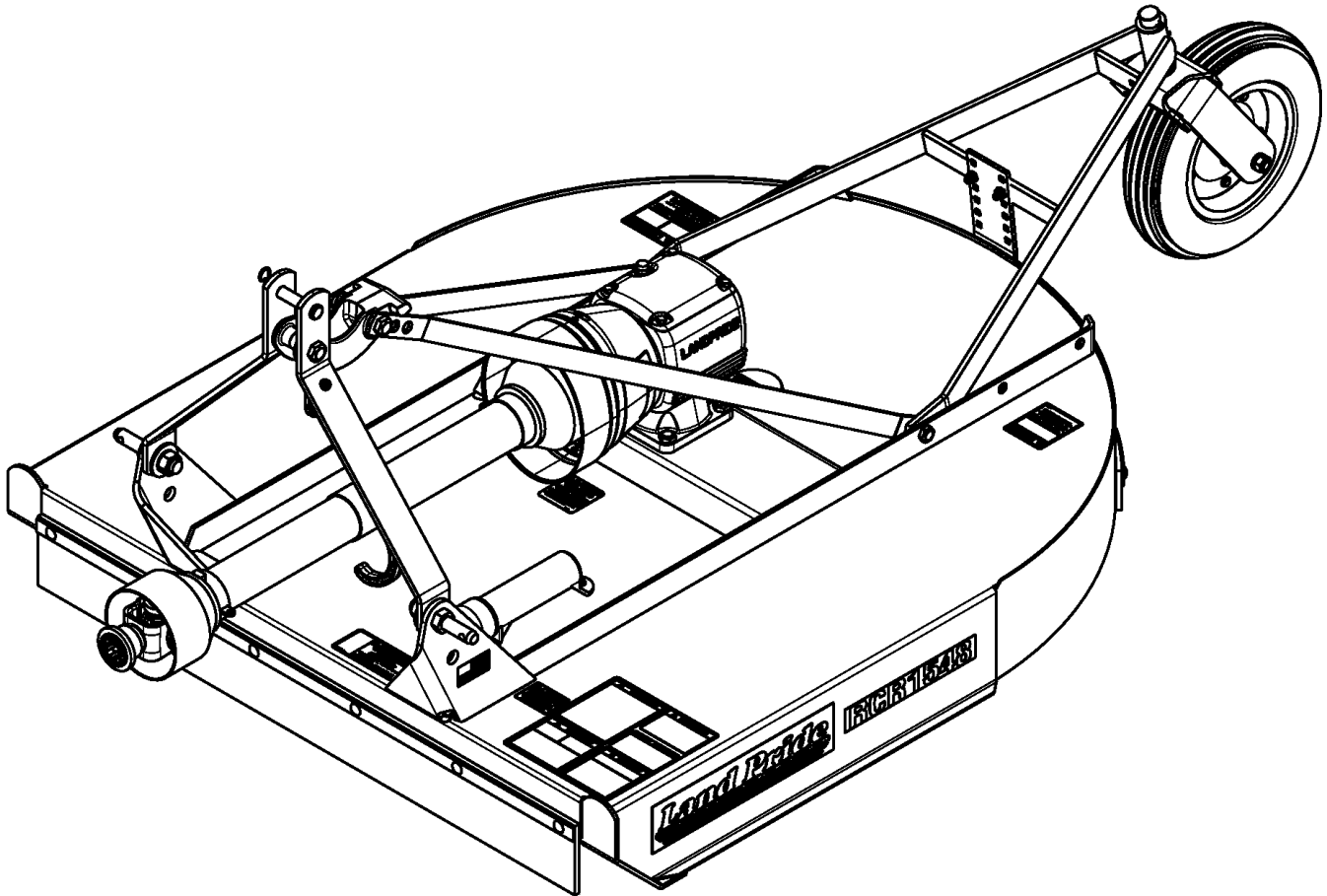


Rotary Cutter

RCR1542, RCR1548, RCR1560 & RCR1572



37976

312-556P Parts Manual



Read the Operator's Manual entirely. When you see this symbol, the subsequent instructions and warnings are serious - follow without exception. Your life and the lives of others depend on it!

© Copyright 2020 Printed 07/13/20

Cover photo may show optional equipment not supplied with standard unit.





Table of Contents

| | |
|--|---------------|
| Section 1: Introduction..... | 4 |
| Using This Manual..... | 4 |
| Manual Replacement Information..... | 4 |
| Manual Revisions..... | 4 |
| Touch-up Paint..... | 4 |
| Hardware Legend..... | 5 |
| Replacement Hardware..... | 5 |
| Serial Numbers..... | 5 |
| Part Number Service Coding..... | 5 |
| Section 2: Decks..... | 6 |
| Blade Bar Option..... | 6 |
| Blade Carrier..... | 8 |
| Blade Carrier RCR1542/48 S/N 655703-..... | 10 |
| Blade Carrier RCR1542/48 S/N 655704 to 669918..... | 12 |
| Blade Carrier RCR1542/RCR1548 669919+..... | 14 |
| Blade Drive S/N 961387+..... | 16 |
| Deck and Hitch S/N 961387+..... | 18 |
| Deck and Hitch with Blade Drive S/N 961386-..... | 22 |
| Section 3: Gauge Wheels..... | 25 |
| Tail Wheel..... | 26 |
| Section 4: Guards..... | 28 |
| Guards Chain..... | 28 |
| Guards Rubber..... | 30 |
| Section 5: Drivelines..... | 32 |
| Driveline (826-019C) Eurocardan (S/N 325013-)..... | 32 |
| Driveline (826-019C) Eurocardan (S/N 325014+)..... | 34 |
| Driveline (826-020C) Eurocardan..... | 36 |
| Driveline (826-020C) Walterscheid..... | 38 |
| Driveline (826-021C) Eurocardan..... | 40 |
| Driveline (826-022C) Eurocardan..... | 42 |
| Driveline (826-022C) Walterscheid..... | 44 |
| Driveline (826-658C & 312-024A) Comer..... | 46 |
| Driveline (826-659C & 312-023A) Comer..... | 48 |
| Driveline Slip Clutch (1344014) Eurocardan..... | 50 |
| Driveline Slip Clutch (384264) Walterscheid..... | 52 |
| Section 6: Gearboxes..... | 54 |
| Gearbox (826-018C) OMNI (RCR1560 S/N 293100) & RCR1572..... | 54 |
| Gearbox (826-026C) OMNI RCR1542..... | 56 |
| RCR1548 & (RCR1560 S/N 293101+)..... | 56 |
| Gearbox (826-383C) Comer S/N 377869+..... | 58 |
| Section 7: Decals..... | 60 |
| Decal Placement..... | 60 |
| Touch-up Paints - LP..... | 62 |
| Part Number Index..... | 64 |

© Copyright 2020. All rights reserved.

Land Pride provides this publication “as is” without warranty of any kind, either expressed or implied. While every precaution has been taken in the preparation of this manual, Land Pride assumes no responsibility for errors or omissions. Neither is any liability assumed for damages resulting from the use of the information contained herein. Land Pride reserves the right to revise and improve its products as it sees fit. This publication describes the state of this product at the time of its publication, and may not reflect the product in the future. The illustrations in this manual are not intended for safe and proper assembly or disassembly of equipment. The illustrations are intended for ordering parts only.

Land Pride is registered trademark.

All other brands and product names are trademarks or registered trademarks of their respective holders.

Printed in the United States of America.



Alphabetized Table of Contents

B

| | |
|--|----|
| Blade Bar Option..... | 6 |
| Blade Carrier..... | 8 |
| Blade Carrier RCR1542/48 S/N 655703-..... | 10 |
| Blade Carrier RCR1542/48 S/N 655704 to 669918..... | 12 |
| Blade Carrier RCR1542/RCR1548 669919+..... | 14 |
| Blade Drive S/N 961387+..... | 16 |

D

| | |
|--|----|
| Decal Placement..... | 60 |
| Deck and Hitch S/N 961387+..... | 18 |
| Deck and Hitch with Blade Drive S/N 961386-..... | 22 |
| Driveline (826-019C) Eurocardan (S/N 325013-)..... | 32 |
| Driveline (826-019C) Eurocardan (S/N 325014+)..... | 34 |
| Driveline (826-020C) Eurocardan..... | 36 |
| Driveline (826-020C) Walterscheid..... | 38 |
| Driveline (826-021C) Eurocardan..... | 40 |
| Driveline (826-022C) Eurocardan..... | 42 |
| Driveline (826-022C) Walterscheid..... | 44 |
| Driveline (826-658C & 312-024A) Comer..... | 46 |
| Driveline (826-659C & 312-023A) Comer..... | 48 |
| Driveline Slip Clutch (1344014) Eurocardan..... | 50 |
| Driveline Slip Clutch (384264) Walterscheid..... | 52 |

G

| | |
|--|----|
| Gearbox (826-018C) OMNI (RCR1560 S/N 293100) & RCR1572..... | 54 |
| Gearbox (826-026C) OMNI RCR1542, RCR1548 & (RCR1560 S/N 293101+)..... | 56 |
| Gearbox (826-383C) Comer S/N 377869+..... | 58 |
| Guards Chain..... | 28 |
| Guards Rubber..... | 30 |

T

| | |
|---------------------------|----|
| Tail Wheel..... | 26 |
| Touch-up Paints - LP..... | 62 |

General Information

Using This Manual

This manual is divided into sections. The first section contains General Information. The remaining sections divide the machine into segments (i.e. Frames, Drives, Hydraulics, etc.) which illustrate and list all parts. A Parts Number Index is located at the back of the book.

The Land Pride parts in this manual are specially designed for this machine and should be replaced with Land Pride parts only.

The information in this manual is current at time of printing. Some parts may change to assure top performance.

Right-hand and left-hand as used in this manual are determined by facing the direction the machine will travel while in use.

Below is an example of two facing pages from a parts manual. Familiarize yourself with the type of information contained on these pages.

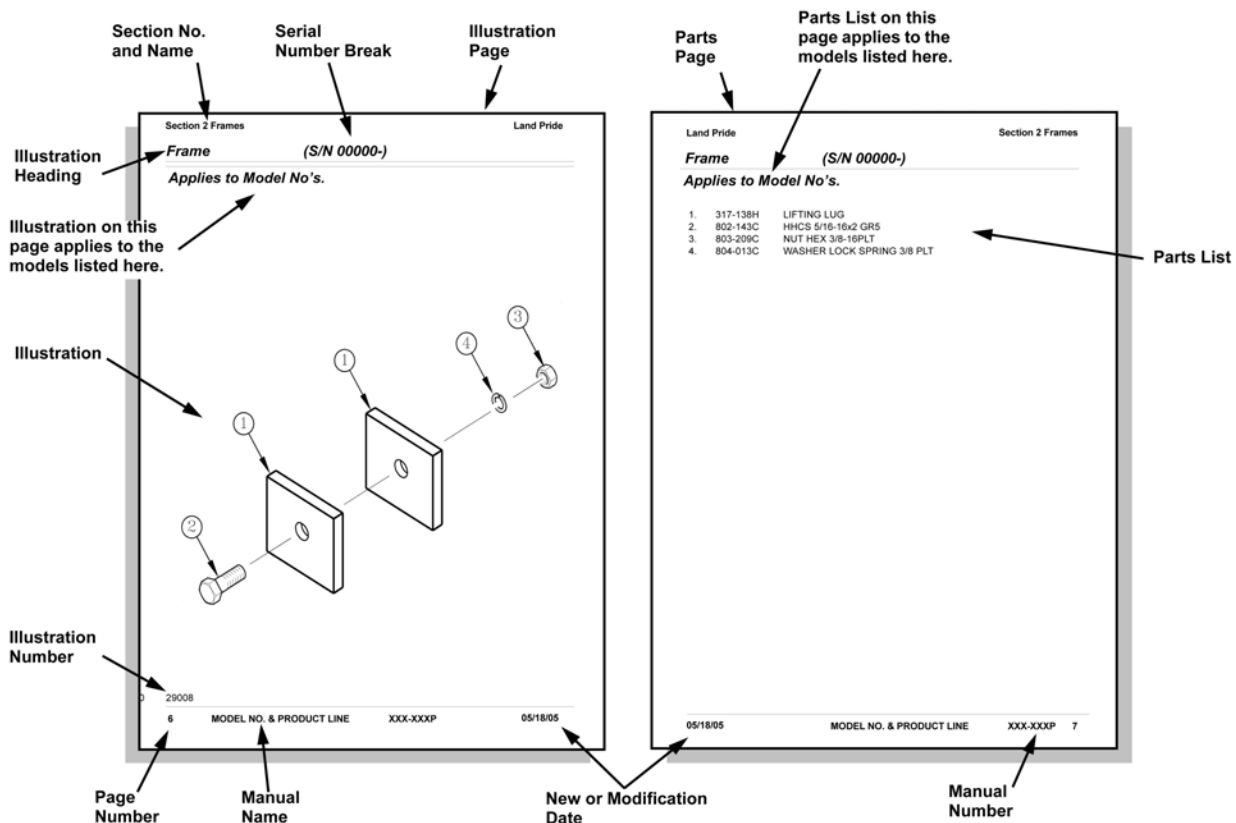
Manual Replacement Information

Replacement manuals are available. Refer to our website at www.landpride.com or e-mail us at lit@landpride.com for additional information. Our website continues to provide the most up-to-date manuals available.

Touch-up Paint

Repaint parts where paint is worn or scratched to prevent rust. Aerosol cans and touch-up bottles with brush applicator are available through your local dealer. Also available are quart and gallon size paints. Add QT or GL to end of the Aerosol P/N.

Land Pride color descriptions and part numbers are listed on the "Land Pride Touch-up Paints" page in the "Decals" section of this book. Color options vary by product.



General Information

Hardware Legend

| | |
|-----------------|--|
| AR | As Required |
| BLADE | Blade Bolt |
| C | Cap Screw |
| CP | Cotter Pin |
| CPHSSS | Cup Point Hex Socket Set Screw |
| CPSHSS | Cup Point Square Head Set Screw |
| CPSQHSS | Cup Point Square Head Set Screw |
| CRFCHMS3 | Cross Recess Flat Countersunk Head Machine Screw |
| CRPHMS | Cross Recess Pan Head Machine Screw |
| CRPHTF | Cross Recess Pan Head Thread Forming |
| CRRHMS | Cross Recess Round Head Machine Screw |
| CRTHMS | Cross Recess Truss Head Machine Screw |
| CSNB | Countersunk Square Neck Bolt |
| FHMS | Flat Head Machine Screw |
| FTC | Full Thread Cap Screw |
| H | Hex Nut |
| HCLN | Hex Center Lock Nut |
| HFLCS | Hex Flange Lock Cap Screw |
| HFS | Hex Flange Screw |
| HFSLN | Hex Flange Serrated Lock Nut |
| HFSS | Hex Flange Serrated Screw |
| HHCS | Hex Head Cap Screw or Metric Bolt |
| HSBHCS | Hex Socket Button Head Cap Screw |
| HSFCHCS | Hex Socket Flat Countersunk Head Cap Screw |
| HSHCS | Hex Socket Head Cap Screw |
| HSSS | Hex Socket Head Screw |
| HTLN | Hex Top Lock Nut |
| HWHCS | Hex Washer Head Cap Screw |

| | |
|-----------------------|---|
| HWHMS | Hex Washer Head Machine Screw |
| HXBHCS | Hex Socket Button Head Cap Screw |
| J | Hex Jam Nut |
| JIC | 37 Degree Tapered Thread |
| L | Helical Spring Lock Washer |
| LUG | Lug Bolt |
| NFC | National Fine Cap Screw |
| NPSM | National Pipe Straight Mechanical |
| NPTF | National Pipe Taper Fuel |
| P | Wide Plain Washer |
| PHMS | Pan Head Machine Screw |
| PLOW | Plow Bolt |
| RHMS | Round Head Machine Screw |
| RHSNB | Round Head Square Neck Bolt |
| SCREW LEVELING | Leveling Screw |
| SCREW THUMB | Thumb Screw |
| SCREW WELD | Weld Screw |
| SFCHMS | Slotted Flat Countersunk Head Machine Screw |
| SFHMS | Slotted Fillister Head Machine Screw |
| SP | Special |
| SP SCREW | Special Screw |
| SOHSS | Square Head Set Screw |
| SRHMS | Slotted Round Head Machine Screw |
| SSS | Socket Set Screw |
| STCS | Self Tapping Cap Screw |
| STHMS | Slotted Truss Head Machine Screw |
| WHEEL | Wheel Studs and Hub Long Bolts |
| WING | Wing Bolt |

Replacement Hardware

The **Hardware Legend** above lists hardware abbreviations used in the parts list. All bolts and nuts are Grade 5 unless otherwise noted. The use of improper grades of hardware can result in personal injury, damage to equipment, or loss of property.

Colored Replacement Parts

Land Pride offers replacement parts in factory standard colors and also on select models in Green, Orange, Red and Blue. Because of the variety of colors available, special attention must be given to the part number to prevent ordering the wrong replacement part.

A suffix number corresponding to one of the colors below must be added at the end of Land Pride's part number when ordering a replacement part with that color.

81 Green 83 Red
82 Orange 84 Blue

For example, if you are ordering a replacement part with part number 555-555C and the part you need is red, then add the suffix 83 to the end of the number to make the part number read 555-555C83. Parts ordered without a suffix number will be supplied in factory standard colors.

Black Replacement Parts

Some parts are factory standard black and some must be special ordered black. If your part is special ordered black, a second part number with the additional suffix number 85 on the end will be available. In this situation you must order that part with the suffix number for it to be black. Parts that are factory standard black will not have the suffix number.

Part Number Service Coding

Within the parts list some part numbers are coded for revisions and interchangeability. See notations in revision column.

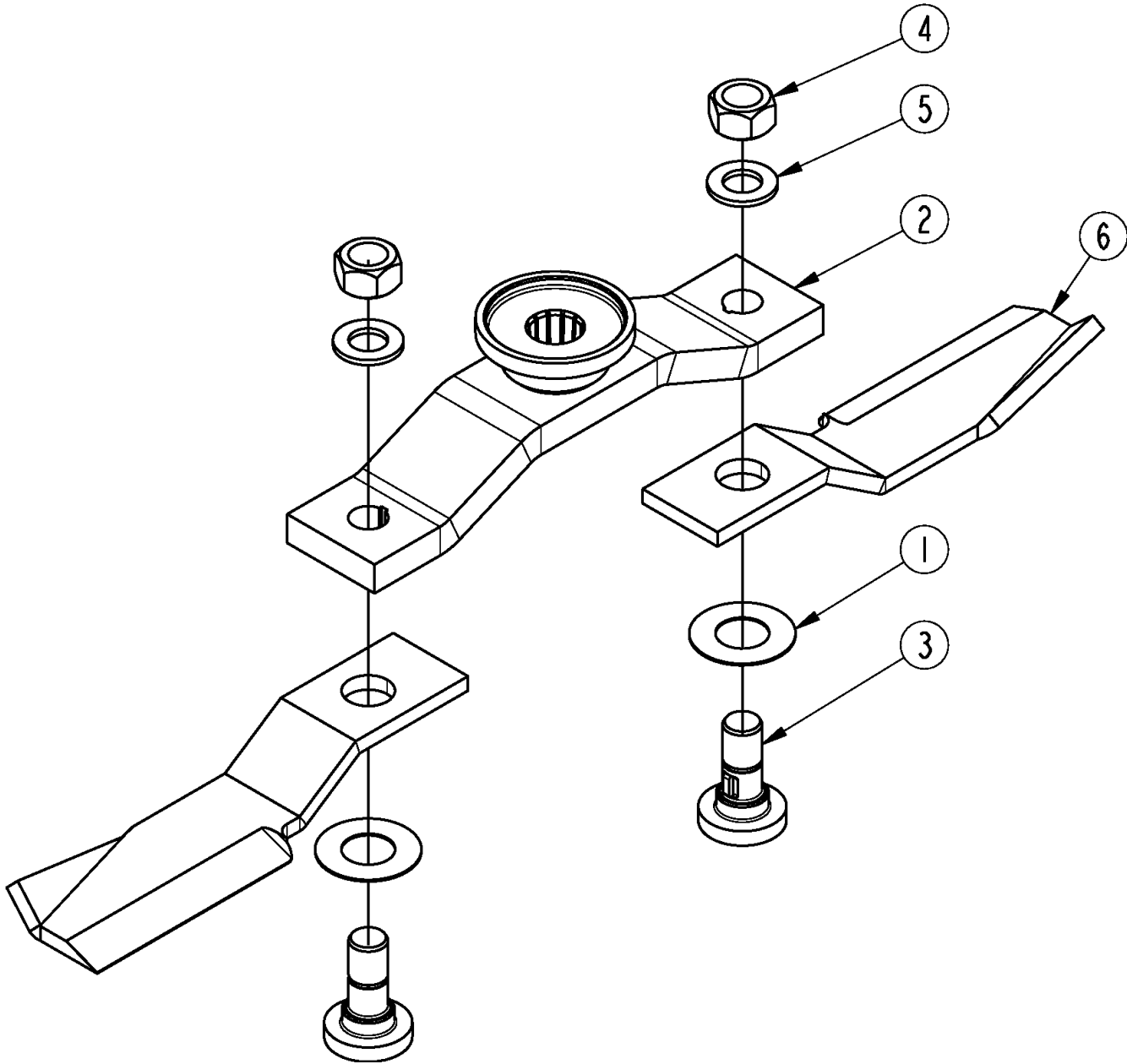
Serial Numbers

Always use the serial and model number when ordering parts. Refer to the Operator's Manual for serial number plate location.

- (S/N 20001+) Includes serial numbers 20001 and above (to the latest number)
- (S/N 10001 to 20000) Includes serial numbers between and including 10001 and 20000
- (S/N 10000-) Includes serial numbers 10000 and below (to the earliest number)

Blade Bar Option

Applies to RCR1542



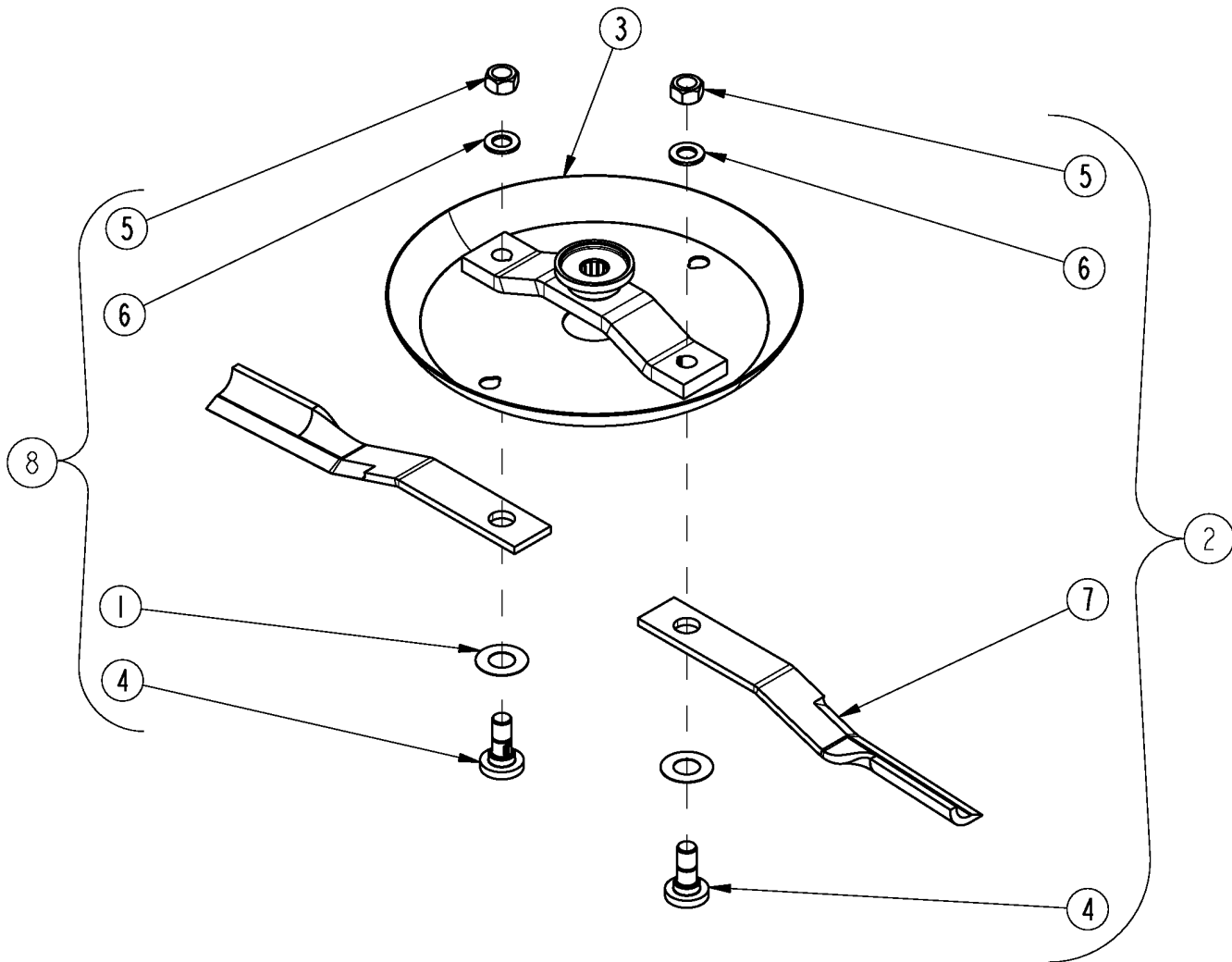
37978

Blade Bar Option**Applies to RCR1542**

| Ref | Part No. | Part Description | Comments | Revision |
|------------|-----------------|---------------------------------|-------------------------|-----------------|
| | Dwg 37978 | Drawing Image Number | | |
| 1. | 312-082D | RPBY 312-808D QTY 2 | As Required S/N 776426- | |
| 1. | 312-075D | BLADE SPACER 16 GA. .064 THICK | As Required S/N 776426- | |
| 1. | 312-089D | BLADE SPACER 20 GA. .0.04 THICK | As Required S/N 776426- | |
| 1. | 312-808D | BLADE SPACER 24GA. .0.03 THICK | As Required S/N 776426- | |
| 2. | 312-680H | RCR1542 BLADE BAR WELDMENT | | |
| 3. | 802-920C | BLD BOLT 1 1/8-12X3.5 W/.18KEY | | |
| 4. | 803-170C | NUT HEX TOP LOCK 1 1/8-12 PLT. | | |
| 5. | 804-212C | WASHER FLAT 2ODX1.16IDX.31 THK | S/N 772093- | |
| 5. | 804-147C | WASHER FLAT 1" HARDENED | S/N 772094+ | |
| 6. | 820-229C | CUTTER BLADE 1/2X3X15.75 CCW | | |

Blade Carrier

Applies to RCR1560, RCR1572



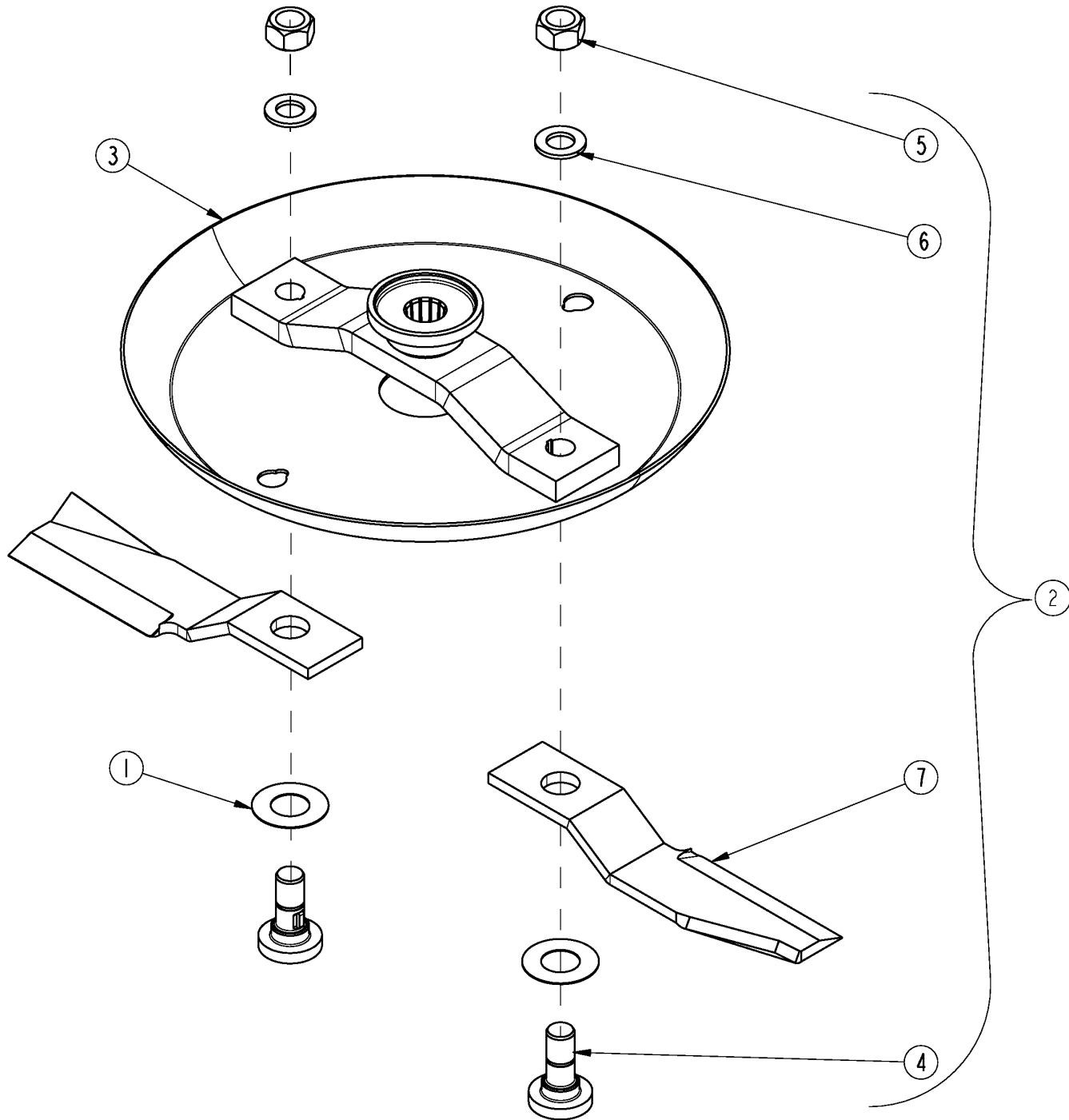
70rcr

Blade Carrier**Applies to RCR1560, RCR1572**

| Ref | Part No. | Part Description | Comments | Revision |
|------------|-----------------|---------------------------------|--|-----------------|
| | Dwg 30270rcr | Drawing Image Number | | |
| 1. | 312-082D | RPBY 312-808D QTY 2 | As Required S/N 776426- | |
| 1. | 312-075D | BLADE SPACER 16 GA. .064 THICK | As Required S/N 776426- | |
| 1. | 312-089D | BLADE SPACER 20 GA. .0.04 THICK | As Required S/N 776426- | |
| 1. | 312-808D | BLADE SPACER 24GA. .0.03 THICK | As Required S/N 776426- | |
| 2. | 326-039A | MATCHED BLADE ASSY | 60" Unit Includes 2 ea. of items 4 thru 7 | |
| 2. | 326-040A | MATCHED BLADE ASSY | 72" Unit Includes 2 ea. of items 4 thru 7 | |
| 3. | 312-815H | 15 DISHPAN WLDMT SM.HUB(COMER) | | |
| 4. | 802-277C | BLADE BOL 1 1/8-12X3 7/16 W/KY | | |
| 5. | 803-170C | NUT HEX TOP LOCK 1 1/8-12 PLT. | | |
| 6. | 804-147C | WASHER FLAT 1" HARDENED | | |
| 7. | 820-198C | CUTTER BLADE 1/2 X3X25 CCW | 60" Unit | |
| 7. | 820-212C | CUTTER BLADE 1/2X3X25 LL CCW | 60" Unit | |
| 7. | 820-199C | CUTTER BLADE 1/2 X3X31 CCW | 72" Unit | |
| 8. | 318-586A | BLADE BOLT KIT | Item 1 not included | |

Blade Carrier RCR1542/48 S/N 655703-

Applies to RCR1542, RCR1548



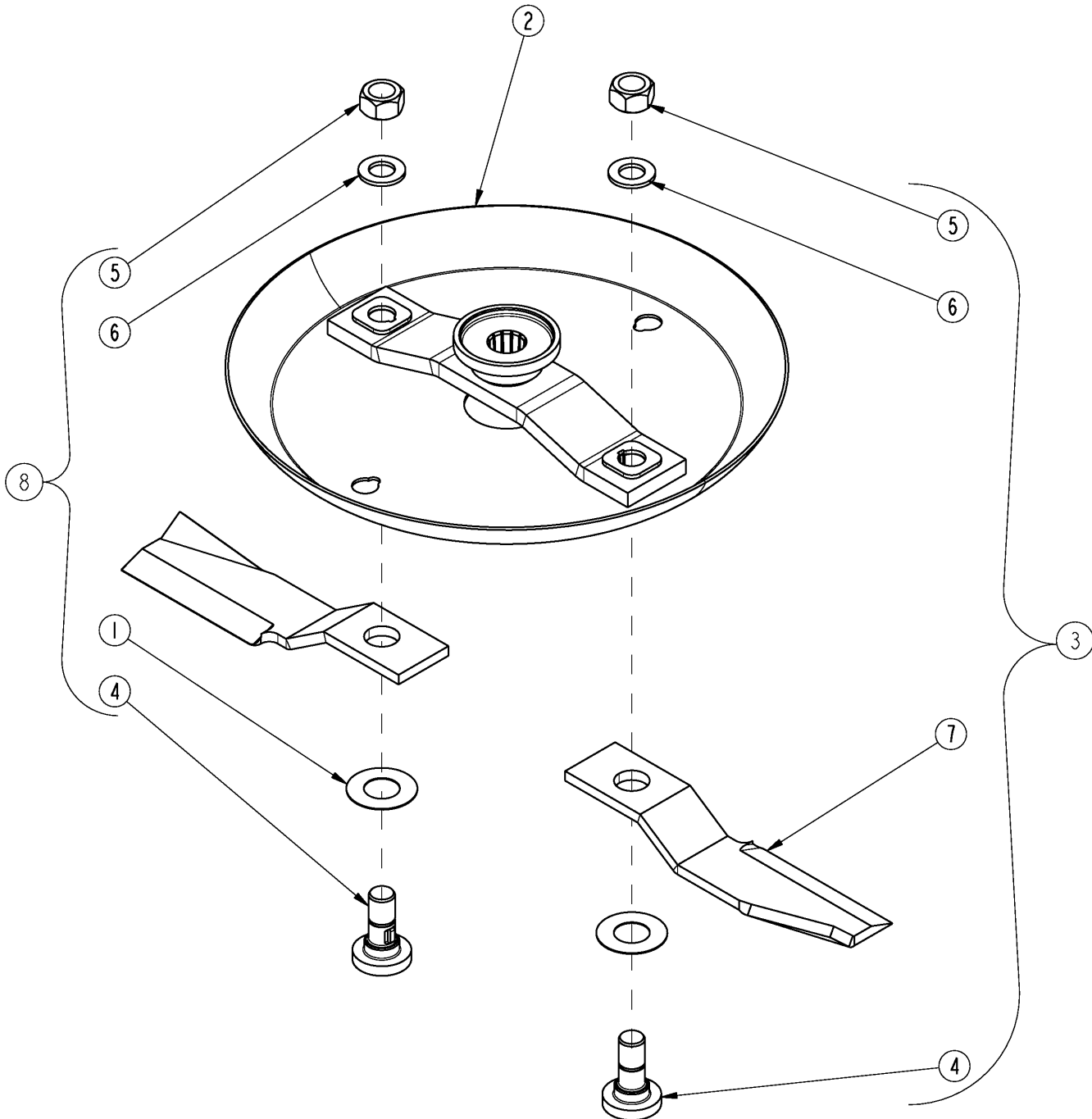
30268

Blade Carrier RCR1542/48 S/N 655703-**Applies to RCR1542, RCR1548**

| Ref | Part No. | Part Description | Comments | Revision |
|------------|-----------------|---------------------------------|--|-----------------|
| | Dwg 30268 | Drawing Image Number | | |
| 1. | 312-082D | RPBY 312-808D QTY 2 | As Required | |
| 1. | 312-075D | BLADE SPACER 16 GA. .064 THICK | As Required | |
| 1. | 312-089D | BLADE SPACER 20 GA. .0.04 THICK | As Required | |
| 1. | 312-808D | BLADE SPACER 24GA. .0.03 THICK | As Required | |
| 2. | 326-037A | MATCHED BLADE ASSY | RCR1542 Includes 2 ea. of items 4 thru 7 | |
| 2. | 326-038A | MATCHED BLADE ASSY | RCR1548 Includes 2 ea. of items 4 thru 7 | |
| 3. | 312-815H | 15 DISHPAN WLDMT SM.HUB(COMER) | | |
| 4. | 802-277C | BLADE BOL 1 1/8-12X3 7/16 W/KY | | |
| 5. | 803-170C | NUT HEX TOP LOCK 1 1/8-12 PLT. | | |
| 6. | 804-147C | WASHER FLAT 1" HARDENED | | |
| 7. | 820-229C | CUTTER BLADE 1/2 X3X15 3/4 CCW | RCR1542 | |
| 7. | 820-065C | CUTTER BLADE 1/2 X3X18 3/4 CCW | RCR1548 | |

Blade Carrier RCR1542/48 S/N 655704 to 669918

Applies to RCR1542, RCR1548



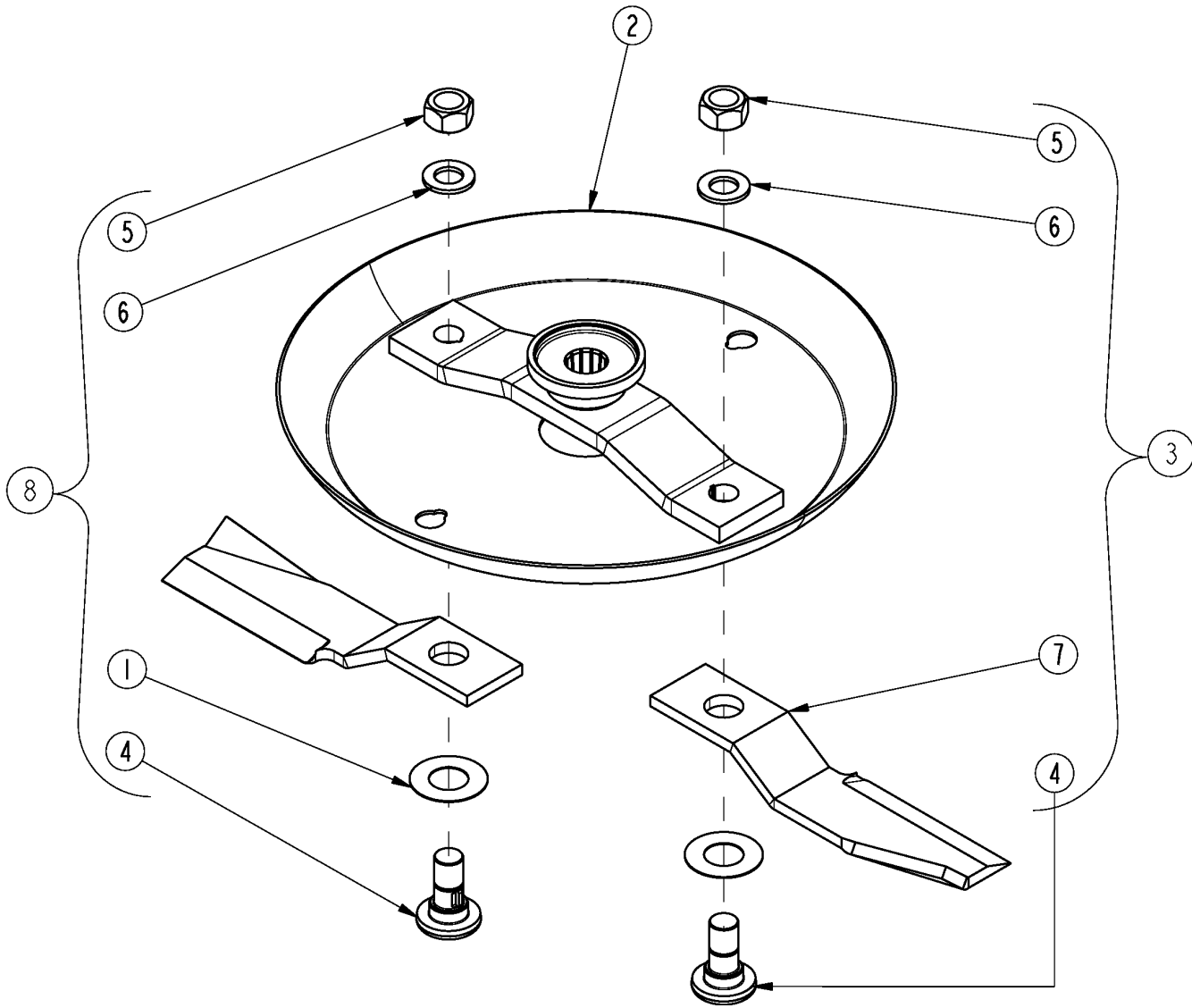
30269

Blade Carrier RCR1542/48 S/N 655704 to 669918**Applies to RCR1542, RCR1548**

| Ref | Part No. | Part Description | Comments | Revision |
|------------|-----------------|---------------------------------|--|-----------------|
| | Dwg 30269 | Drawing Image Number | | |
| 1. | 312-082D | RPBY 312-808D QTY 2 | As Required | |
| 1. | 312-075D | BLADE SPACER 16 GA. .064 THICK | As Required | |
| 1. | 312-089D | BLADE SPACER 20 GA. .0.04 THICK | As Required | |
| 1. | 312-808D | BLADE SPACER 24GA. .0.03 THICK | As Required | |
| 2. | 326-164H | 15 DISHPAN WLDMT SM.HUB(COMER) | | |
| 3. | 326-037A | MATCHED BLADE ASSY | RCR1542 Includes 2 ea. of items 4 thru 7 | |
| 3. | 326-038A | MATCHED BLADE ASSY | RCR1548 Includes 2 ea. of items 4 thru 7 | |
| 4. | 802-277C | BLADE BOL 1 1/8-12X3 7/16 W/KY | | |
| 5. | 803-170C | NUT HEX TOP LOCK 1 1/8-12 PLT. | | |
| 6. | 804-147C | WASHER FLAT 1" HARDENED | | |
| 7. | 820-229C | CUTTER BLADE 1/2 X3X15 3/4 CCW | RCR1542 | |
| 7. | 820-065C | CUTTER BLADE 1/2 X3X18 3/4 CCW | RCR1548 | |
| 8. | 318-586A | BLADE BOLT KIT | Service Kit (Item 1 Not included) | |

Blade Carrier RCR1542/RCR1548 669919+

Applies to RCR1542, RCR1548



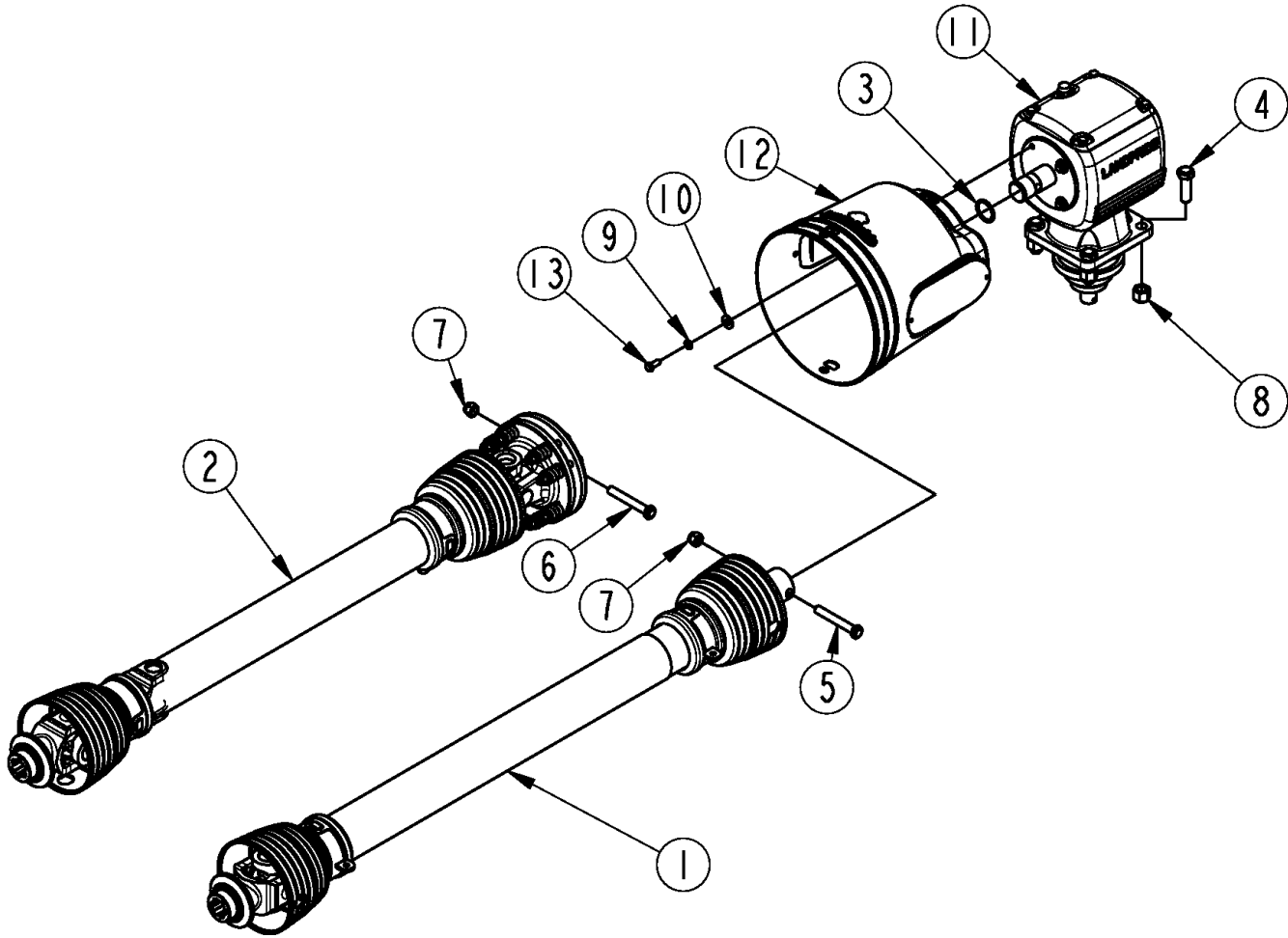
30335

Blade Carrier RCR1542/RCR1548 669919+**Applies to RCR1542, RCR1548**

| Ref | Part No. | Part Description | Comments | Revision |
|------------|-----------------|--------------------------------|--|-----------------|
| | Dwg 30335 | Drawing Image Number | | |
| 1. | 312-075D | BLADE SPACER 16 GA .064 Thick | As Required S/N 776426- | |
| 1. | 312-082D | RPBY 312-808D QTY 2 | As Required S/N 776426- | |
| 1. | 312-089D | BLADE SPACER 20 GA .04 Thick | As Required S/N 776426- | |
| 1. | 312-808D | BLADE SPACER 24 GA .03 Thick | As Required S/N 776426- | |
| 2. | 326-386H | 15 DSHPN WMT SM.HUB(COMR) 3/16 | | |
| 3. | 326-401A | MATCHED BLADE ASSY | RCR1542 Includes 2 ea. of items 4 thru 7 | |
| 3. | 326-402A | MATCHED BLADE ASSY | RCR1548 Includes 2 ea. of items 4 thru 7 | |
| 4. | 802-920C | BLD BOLT 1 1/8-12X3.5 W/.18KEY | | |
| 5. | 803-170C | NUT HEX TOP LOCK 1 1/8-12 PLT. | | |
| 6. | 804-147C | WASHER FLAT 1" HARDENED | S/N 772094+ | |
| 6. | 804-212C | WASHER FLAT 2ODX1.16IDX.31 THK | S/N 772093- | |
| 7. | 820-229C | CUTTER BLADE 1/2 X3X15 3/4 CCW | RDR1542 | |
| 7. | 820-065C | CUTTER BLADE 1/2 X3X18 3/4 CCW | RCR1548 | |
| 8. | 326-185A | BLADE BOLT KIT 3/16"KEY | Service Kit | |

Blade Drive S/N 961387+

Applies to RCR1542, RCR1548



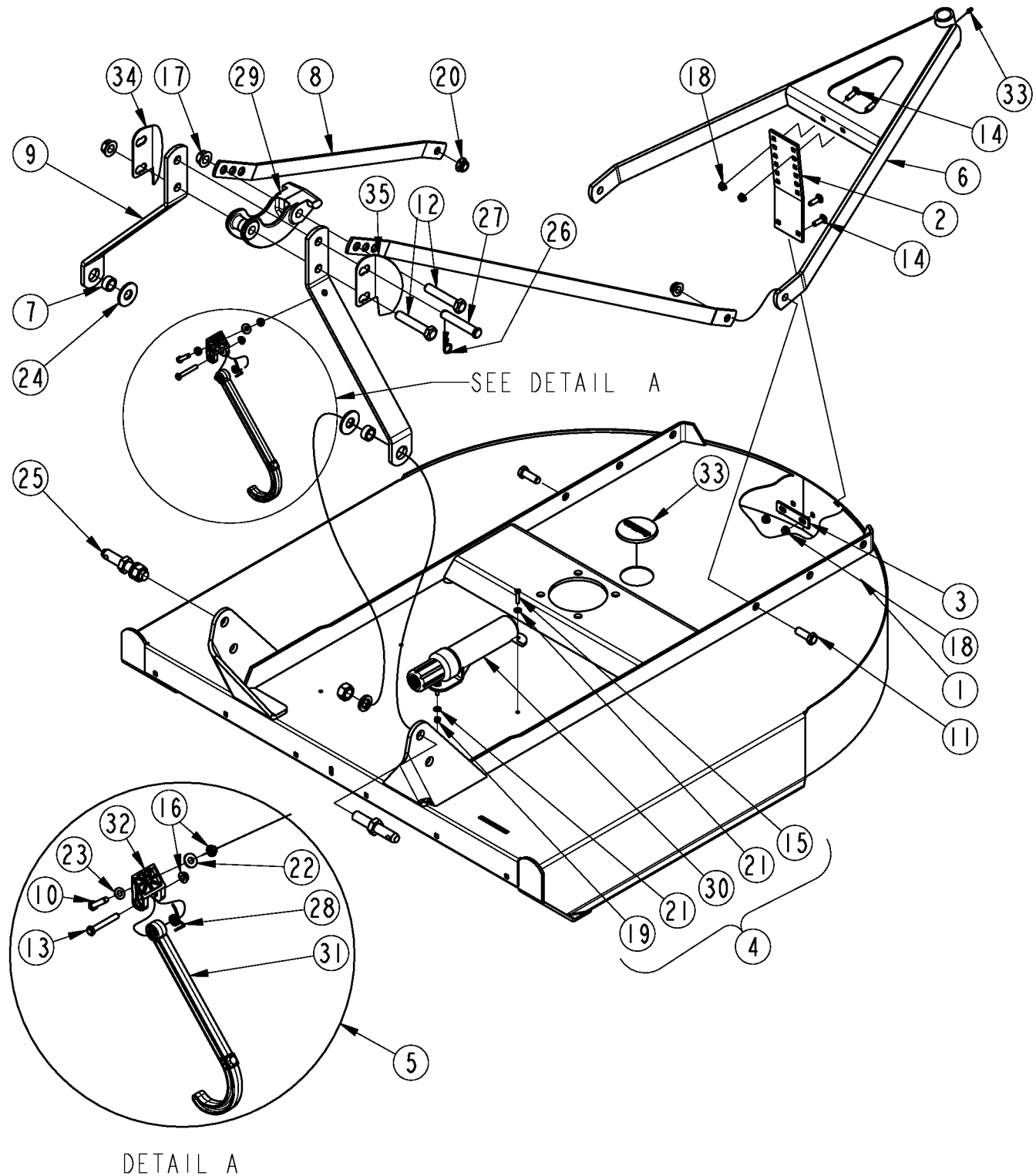
37980

Blade Drive S/N 961387+**Applies to RCR1542, RCR1548**

| Ref | Part No. | Part Description | Comments | Revision |
|------------|-----------------|--------------------------------|-------------------------|-----------------|
| | Dwg 37980 | Drawing Image Number | | |
| 1. | 312-023A | DRIVELINE CAT.2 X 30 S/B | Used only with 312-023A | |
| 2. | 312-024A | DRIVELINE CAT.2 X 30 CLUTCH | | |
| 3. | 800-079C | SNAP RING EXT 1 3/8 5100-137 | | |
| 4. | 802-053C | HHCS 5/8-11X1 3/4 GR5 FTHD | S/N _____+ | |
| 4. | 802-055C | HHCS 5/8-11X2 GR5 | S/N _____- | |
| 5. | 802-264C | HHCS 1/2-13X3 1/2 GR2 | | |
| 6. | 802-265C | HHCS 1/2-13X3 1/2 GR8 | | |
| 7. | 803-147C | NUT HEX NYLOCK 1/2-13 | | |
| 8. | 803-263C | NUT HEX FLANGE LOCK 5/8-11 PLT | S/N _____+ | |
| 8. | 803-148C | NUT HEX NYLOCK 5/8-11 PLT | S/N _____- | |
| 9. | 804-009C | WASHER LOCK SPRING 5/16 PLT | | |
| 10. | 804-010C | WASHER FLAT 5/16 USS PLT | | |
| 11. | 826-383C | GBOX RC16 1.38 RD.1:1.93 STD. | | |
| 12. | 837-101C | LAND PRIDE CONE | | |
| 12. | 826-240C | SMALL SHAFT CONE W ACCESS DOOR | Replaced with 837-101C | |
| 13. | 842-243C | HHCS M8X1.25X20 GR8.8 THD-LCK | | |
| 13. | 802-314C | RPBY 842-243C | | |

Deck and Hitch S/N 961387+

Applies to RCR1542, RCR1548



37977

Deck and Hitch S/N 961387+**Applies to RCR1542, RCR1548**

| Ref | Part No. | Part Description | Comments | Revision |
|------------|-----------------|--------------------------------|-----------------------|-----------------|
| | Dwg 37977 | Drawing Image Number | | |
| 1. | 312-666H | RCR1542 DECK WELDEMENT | RCR1542 | |
| 1. | 312-666H81 | RCR1542 DECK WELDEMENT GREEN | RCR1542 | |
| 1. | 312-666H82 | RCR1542 DECK WELDEMENT ORANGE | RCR1542 | |
| 1. | 312-666H83 | RCR1542 DECK WELDEMENT RED | RCR1542 | |
| 1. | 312-666H84 | RCR1542 DECK WELDEMENT BLUE | RCR1542 | |
| 1. | 312-659H | RCR1548 DECK WELDEMENT | RCR1548 | |
| 1. | 312-659H81 | RCR1548 DECK WELDEMENT GREEN | RCR1548 | |
| 1. | 312-659H82 | RCR1548 DECK WELDEMENT ORANGE | RCR1548 | |
| 1. | 312-659H83 | RCR1548 DECK WELDEMENT RED | RCR1548 | |
| 1. | 312-659H84 | RCR1548 DECK WELDEMENT BLUE | RCR1548 | |
| 2. | 312-850D | GAUGE WHEEL ADJ. FLAT | | |
| 3. | 312-851D | GAUGE WHEEL SUPPORT FLAT | | |
| 4. | 326-095S | MANUAL CONTAINER KIT, 1 1/4 | | |
| 5. | 327-182S | DRIVELINE HANGER W/HARDWARE | S/N 1056087+ | |
| 5. | 327-143S | DRIVELINE HOLDER W/HARDWARE | S/N 1056086- | |
| 6. | 327-183H | TAILWHEEL A-ARM WLDMT | S/N 1089012+ | |
| 6. | 326-268H | RPBY 327-183H | S/N 1089011- Obsolete | |
| 7. | 327-437D | BUSHING 1.25ODX.89X.56LG | | |
| 8. | 327-455D | REAR BRACE 1542 | RCR1542 | |
| 8. | 327-455D81 | REAR BRACE 1542 GREEN | RCR1542 | |
| 8. | 327-455D82 | REAR BRACE 1542 ORANGE | RCR1542 | |
| 8. | 327-455D83 | REAR BRACE 1542 RED | RCR1542 | |
| 8. | 327-455D84 | REAR BRACE 1542 BLUE | RCR1542 | |
| 8. | 327-458D | REAR BRACE 12 & 1548 | RCR1548 | |
| 8. | 327-458D81 | REAR BRACE 12 & 1548-GREEN | RCR1548 | |
| 8. | 327-458D82 | REAR BRACE 12 & 1548-ORANGE | RCR1548 | |
| 8. | 327-458D83 | REAR BRACE 12 & 1548-RED | RCR1548 | |
| 8. | 327-458D84 | REAR BRACE 12 & 1548-BLUE | RCR1548 | |
| 9. | 327-461D | A FRAME 42, 48 & 60 | RCR1542 & RCR1548 | |
| 9. | 327-461D81 | A FRAME 48 & 60-GREEN | RCR1542 & RCR1548 | |
| 9. | 327-461D82 | A FRAME 48 & 60-ORANGE | RCR1542 & RCR1548 | |
| 9. | 327-461D83 | A FRAME 48 & 60-RED | RCR1542 & RCR1548 | |
| 9. | 327-461D84 | A FRAME 48 & 60-BLUE | RCR1542 & RCR1548 | |
| 10. | 802-012C | HHCS 5/16-18X1 1/2 GR5 | S/N 1056087+ | |
| 10. | 802-010C | HHCS 5/16-18X1 1/4 GR5 | S/N 1056086- | |
| 11. | 802-053C | HHCS 5/8-11X1 3/4 GR5 | | |
| 12. | 802-068C | HHCS 3/4-10X4 GR5 | | |
| 13. | 802-138C | HHCS 5/16-18X2 1/4 GR5 | | |
| 14. | 802-155C | RHSNB 3/8-16X1 1/4 GR5 | | |
| 15. | 802-224C | HHCS 1/4-20X1 1/4 GR5 | | |
| 16. | 803-177C | NUT HEX FLG TP LK 5/16-18ZNYCR | | |
| 17. | 803-181C | NUT HEX FLANGE LOCK 3/4-10 PLT | | |
| 18. | 803-198C | NUT HEX WHIZ 3/8-16 PLT | | |
| 19. | 803-255C | NUT HEX NYLOCK 1/4-20 | | |
| 20. | 803-263C | NUT HEX FLANGE LOCK 5/8-11 PLT | | |
| 21. | 804-007C | WASHER FLAT 1/4 SAE PLT | | |
| 22. | 804-010C | WASHER FLAT 5/16 USS PLT | S/N 1056087+ | |
| 23. | 804-036C | WASHER FLAT 5/16 SAE PLT | | |
| 24. | 804-134C | WASHER FLAT 7/8 USS PLT | | |
| 25. | 805-111C | PIN HTCH C1 7/8-14 THD W/N | | |
| 26. | 805-143C | PIN HAIR COTTER .120 PLT | | |
| 27. | 805-228C | PIN CLVS .75X3.94 USBL | | |
| 28. | 807-350C | SPRING TORSION DRVLN HLDER | | |
| 29. | 812-500C | FLOAT TOP HITCH CAST DUCTILE | | |
| 30. | 816-504C | MANUAL STORAGE CONTAINER | | |
| 31. | 837-062C | DRIVELINE HOOK | | |
| 32. | 837-063C | MOUNT DRIVELINE HOOK | | |

Deck and Hitch S/N 961387+ (continued)

Applies to RCR1542, RCR1548

| Ref | Part No. | Part Description | Comments | Revision |
|------------|-----------------|-------------------------|--|-----------------|
| 33. | 840-273C | PLUG LP 3" ID RUBBER | | |
| 34. | 327-763D | SHIELD UPPER RH | S/N 1341733+ Include decal 858-148C see decal placement | |
| 35. | 327-764D | SHIELD UPPER LH | S/N 1341733+ Include decal 858-148C see decal placement | |

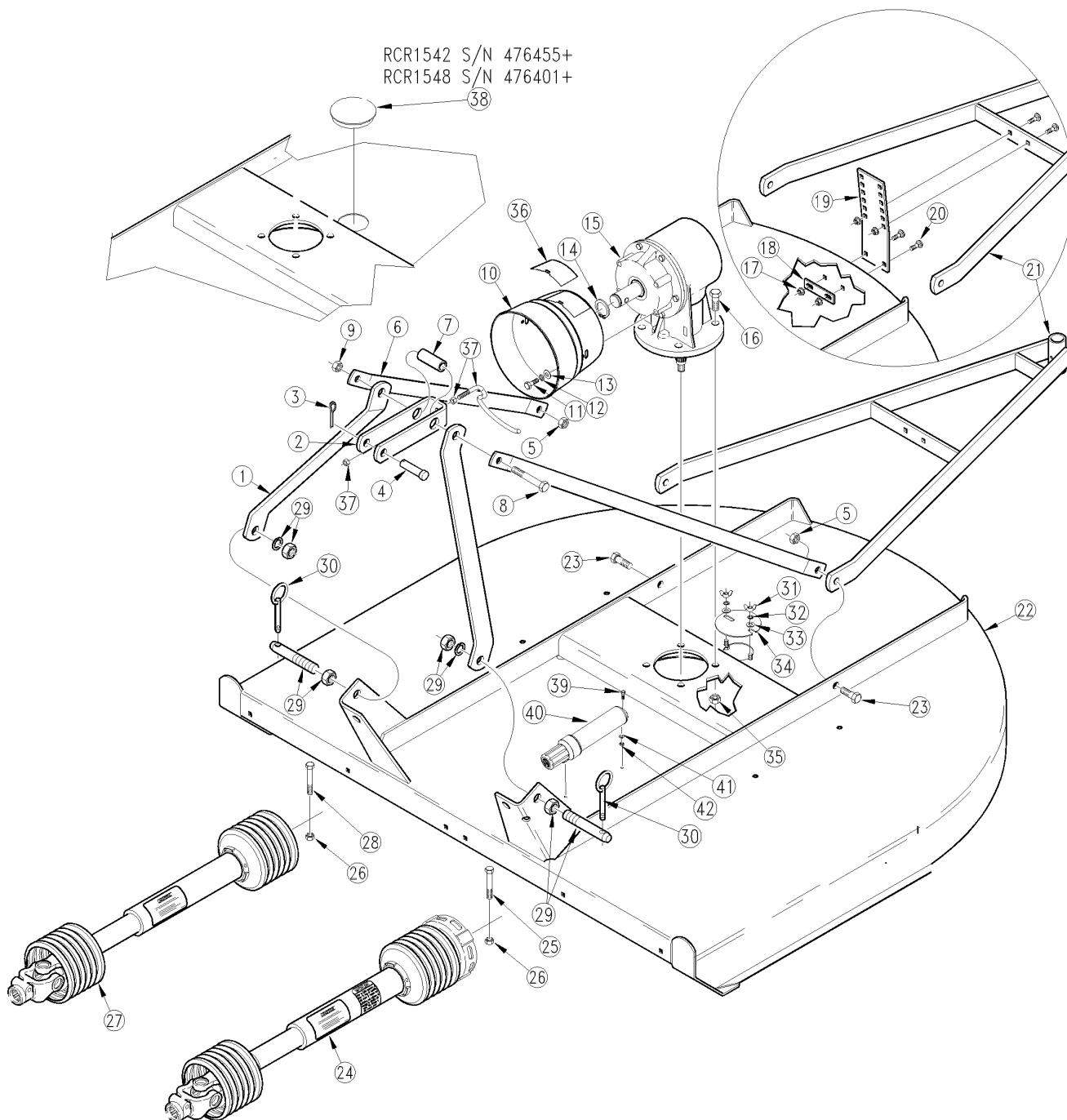
Deck and Hitch S/N 961387+ (continued)

Applies to RCR1542, RCR1548

This Page Intentionally Left Blank

Deck and Hitch with Blade Drive S/N 961386-

Applies to RCR1542, RCR1548, RCR1560, RCR1572



Deck and Hitch with Blade Drive S/N 961386-**Applies to RCR1542, RCR1548, RCR1560, RCR1572**

| Ref | Part No. | Part Description | Comments | Revision |
|------------|-----------------|--------------------------------|--|-----------------|
| | Dwg 16338 | Drawing Image Number | | |
| 1. | 312-848D | A-FRAME BEIGE | S/N 927108+ | |
| 1. | 312-848D81 | A-FRAME GREEN | S/N 927108+ | |
| 1. | 312-848D82 | A-FRAME ORANGE | S/N 927108+ | |
| 1. | 312-848D83 | A-FRAME RED | S/N 927108+ | |
| 1. | 312-848D84 | A-FRAME BLUE | S/N 927108+ | |
| 1. | 312-848D85 | A-FRAME BLACK | S/N 927107- | |
| 2. | 312-609D85 | PIVOTING UPPER HITCH-BLACK | | |
| 3. | 805-143C | PIN HAIR COTTER .120 PLT | | |
| 4. | 805-142C | PIN CLEVIS 3/4 X 3 1/2 PLT | | |
| 5. | 803-271C | NUT HEX TOP LOCK 5/8-11 PLT | | |
| 6. | 312-998D | RCR1542 REAR STRAPS BEIGE | RCR1542 S/N 927108+ | |
| 6. | 312-998D81 | RCR1542 REAR STRAPS GREEN | RCR1542 S/N 927108+ | |
| 6. | 312-998D82 | RCR1542 REAR STRAPS ORANGE | RCR1542 S/N 927108+ | |
| 6. | 312-998D83 | RCR1542 REAR STRAPS RED | RCR1542 S/N 927108+ | |
| 6. | 312-998D84 | RCR1542 REAR STRAPS BLUE | RCR1542 S/N 927108+ | |
| 6. | 312-998D85 | RCR1542 REAR STRAPS BLACK | RCR1542 S/N 927107- | |
| 6. | 326-893D | REAR BRACE BEIGE | S/N 689802+ S/N 927108+ | |
| 6. | 326-893D81 | REAR BRACE GREEN | S/N 689802+ S/N 927108+ | |
| 6. | 326-893D82 | REAR BRACE ORANGE | S/N 689802+ S/N 927108+ | |
| 6. | 326-893D83 | REAR BRACE RED | S/N 689802+ S/N 927108+ | |
| 6. | 326-893D84 | REAR BRACE BLUE | S/N 689802+ S/N 927108+ | |
| 6. | 326-893D85 | REAR BRACE BLACK | S/N 689802+ S/N 927107- | |
| 6. | 312-849D | REAR BRACE | RCR1548 S/N 689801- Or Order 2Ea. of 312-849D & RCR1560 | |
| 6. | 312-879D | REAR BRACE | RCR1572 | |
| 6. | 326-062D | REAR STRAPS BEIGE | RCR1660 S/N 927108+ | |
| 6. | 326-062D81 | REAR STRAPS GREEN | RCR1660 S/N 927108+ | |
| 6. | 326-062D82 | REAR STRAPS ORANGE | RCR1660 S/N 927108+ | |
| 6. | 326-062D83 | REAR STRAPS RED | RCR1660 S/N 927108+ | |
| 6. | 326-062D84 | REAR STRAPS BLUE | RCR1660 S/N 927108+ | |
| 6. | 326-062D85 | REAR STRAPS BLACK | RCR1660 S/N 927107- | |
| 6. | 326-075D | REAR BRACE BEIGE | RCR1672 S/N 927108+ | |
| 6. | 326-075D81 | REAR BRACE GREEN | RCR1672 S/N 927108+ | |
| 6. | 326-075D82 | REAR BRACE ORANGE | RCR1672 S/N 927108+ | |
| 6. | 326-075D83 | REAR BRACE RED | RCR1672 S/N 927108+ | |
| 6. | 326-075D84 | REAR BRACE BLUE | RCR1672 S/N 927108+ | |
| 6. | 326-075D85 | REAR BRACE BLACK | RCR1672 S/N 927107- | |
| 7. | 312-610D | SPACER TUBE 1 1/8 OD X 3 1/8 | | |
| 8. | 802-062C | HHCS 5/8-11X5 GR5 | | |
| 9. | 803-263C | NUT HEX FLANGE LOCK 5/8-11 PLT | | |
| 10. | 837-101C | LAND PRIDE CONE | | |
| 10. | 826-240C | SMALL SHAFT CONE W ACCESS DOOR | Replaced with 837-101C | |
| 11. | 802-314C | HHCS M8X1.25X20 GR8.8 | | |
| 12. | 804-009C | WASHER LOCK SPRING 5/16 PLT | | |
| 13. | 804-010C | WASHER FLAT 5/16 USS PLT | | |
| 14. | 800-079C | RING SNAP 1 3/8 EXT 5100-137 | Used only on 826-018C | |
| 15. | 826-018C | GEARBOX 40HP 1:1.462 SPEEDUP | RCR1560, & RCR1572 | |
| 15. | 826-383C | GBOX RC16 1.38 RD.1:1.93 STD. | RCR1542 & RCR1548 (S/N 377869+) | |
| 15. | 826-026C | GEARBOX 30HP 1:1.93 SPEED-UP | RCR1542 & RCR1548 (S/N 377868-) | |
| 16. | 802-055C | HHCS 5/8-11X2 GR5 | | |
| 17. | 803-198C | NUT HEX WHIZ 3/8-16 PLT | | |
| 18. | 312-851D | GAUGE WHEEL SUPPORT FLAT | | |
| 19. | 312-850D | GAUGE WHEEL ADJ. FLAT | | |
| 20. | 802-155C | RHSNB 3/8-16X1 1/4 GR5 | | |
| 20. | 327-183H | TAILWHEEL A-ARM WLDMT | RCR1542 & RCR1548 | |
| 21. | 326-268H | RPBY 327-183H | Obsolete (RCR1542 & RCR1548) | |

Deck and Hitch with Blade Drive S/N 961386- (continued)**Applies to RCR1542, RCR1548, RCR1560, RCR1572**

| Ref | Part No. | Part Description | Comments | Revision |
|------------|-----------------|--------------------------------|---|-----------------|
| 21. | 312-660H | GAUGE WHEEL MAINFRAME WELDMENT | RCR1542 & RCR1548 S/N 651789- | |
| 21. | 312-559H | GAUGE WHEEL MAINFRAME WLDMT. | RCR1560, RCR1572, RCR160 & RCR1672 | |
| 22. | 312-666H | RCR1542 DECK WELDMENT | | |
| 22. | 312-666H81 | RCR1542 DECK WELDMENT GREEN | | |
| 22. | 312-666H82 | RCR1542 DECK WELDMENT ORANGE | | |
| 22. | 312-666H83 | RCR1542 DECK WELDMENT RED | | |
| 22. | 312-666H84 | RCR1542 DECK WELDMENT BLUE | | |
| 22. | 312-659H | RCR1548 DECK WELDMENT | | |
| 22. | 312-659H81 | RCR1548 DECK WELDMENT GREEN | | |
| 22. | 312-659H82 | RCR1548 DECK WELDMENT ORANGE | | |
| 22. | 312-659H83 | RCR1548 DECK WELDMENT RED | | |
| 22. | 312-659H84 | RCR1548 DECK WELDMENT BLUE | | |
| 22. | 312-558H | RCR1560 DECK WELDMENT | | |
| 22. | 312-573H | RCR1572 DECK WELDMENT | | |
| 22. | 312-711H | RCR1660 DECK WELDMENT | | |
| 22. | 312-726H | RCR1672 DECK WELDMENT | | |
| 23. | 802-055C | HHCS 5/8-11X2 GR5 | | |
| 24. | 312-024A | DRIVELINE CAT.2 X 30 CLUTCH | RCR1542 S/N 651388+, RCR1548 S/N 656264+ & RCR1560 | |
| 24. | 826-658C | RPBY 312-024A | Obsolete | |
| 24. | 826-021C | RPBY 312-024A | RCR1542 S/N 651387-, RCR1548 S/N 656263- & RCR1560 (Obsolete) | |
| 24. | 312-026A | DRIVELINE CAT.3 X 38 CLUTCH | RCR1572 | |
| 24. | 826-022C | RPBY 312-026A | RCR1572 (Obsolete) | |
| 25. | 802-265C | HHCS 1/2-13X3 1/2 GR8 | | |
| 26. | 803-147C | NUT HEX NYLOCK 1/2-13 | S/N 758940+ (Nut & jam nut combination was used at S/N 758939 and bellow) | |
| 27. | 312-023A | DRIVELINE CAT.2 X 30 S/B | S/N _____+ | |
| 27. | 826-659C | RPBY 312-023A | Obsolete | |
| 27. | 826-019C | RPBY 312-023A | RCR1542, RCR1548 & RCR1560 S/N _____- (Obsolete) | |
| 27. | 312-025A | DRIVELINE CAT.3 X 38 S/B | RCR1572 | |
| 27. | 826-020C | RPBY 312-025A | RCR1572 (Obsolete) | |
| 28. | 802-264C | HHCS 1/2-13X3 1/2 GR2 | | |
| 29. | 805-111C | PIN DRAW 7/8 X 5 | | |
| 30. | 805-103C | PIN LYNCH 7/16 X 1 3/4 | Not supplied | |
| 31. | 803-231C | NUT WING 3/8-16 PLT | RCR1542 S/N 476454- RCR1548 S/N 476400- | |
| 32. | 804-013C | WASHER LOCK SPRING 3/8 PLT | RCR1542 S/N 476454- RCR1548 S/N 476400- | |
| 33. | 804-012C | WASHER FLAT 3/8 SAE PLT | RCR1542 S/N 476454- RCR1548 S/N 476400- | |
| 34. | 312-886D | ACCESS COVER PLATE | RCR1542 S/N 476454- RCR1548 S/N 476400- | |
| 35. | 803-263C | NUT HEX FLANGE LOCK 5/8-11 PLT | S/N _____+ | |
| 35. | 803-148C | NUT HEX NYLOCK 5/8-11 PLT | S/N _____- | |
| 36. | 38-11 | MCCN ACCESS COVER | Only for Meccanoplast brand covers on older models | |
| 37. | 800-320C | DRIVELINE HOOK HANGER W/HRDWR | (S/N 317416+) | |
| 38. | 840-273C | PLUG LP 3" ID RUBBER | RCR1542 S/N 476455+ RCR1548 S/N 476401+ | |
| 39. | 802-224C | HHCS 1/4-20X1 1/4 GR5 | RCR1542 & RCR1548 S/N 546853+ | |
| 40. | 816-504C | MANUAL STORAGE CONTAINER | RCR1542 & RCR1548 S/N 546853+ | |
| 41. | 804-007C | WASHER FLAT 1/4 SAE PLT | RCR1542 & RCR1548 S/N 546853+ | |
| 42. | 803-255C | NUT HEX NYLOCK 1/4-20 | RCR1542 & RCR1548 S/N 546853+ | |

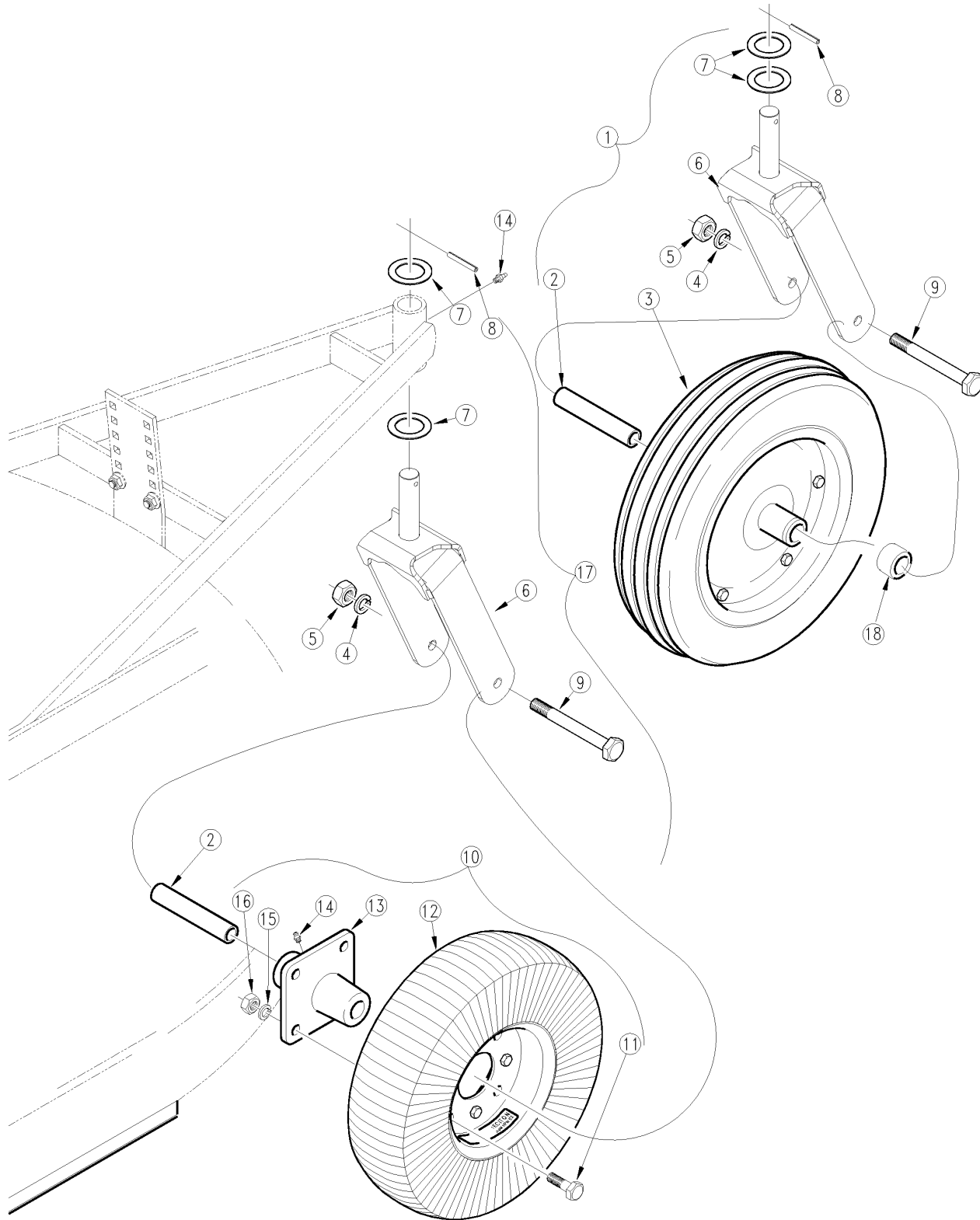
Deck and Hitch with Blade Drive S/N 961386- (continued)

Applies to RCR1542, RCR1548, RCR1560, RCR1572

This Page Intentionally Left Blank

Tail Wheel

Applies to RCR1542, RCR1548, RCR1560, RCR1572



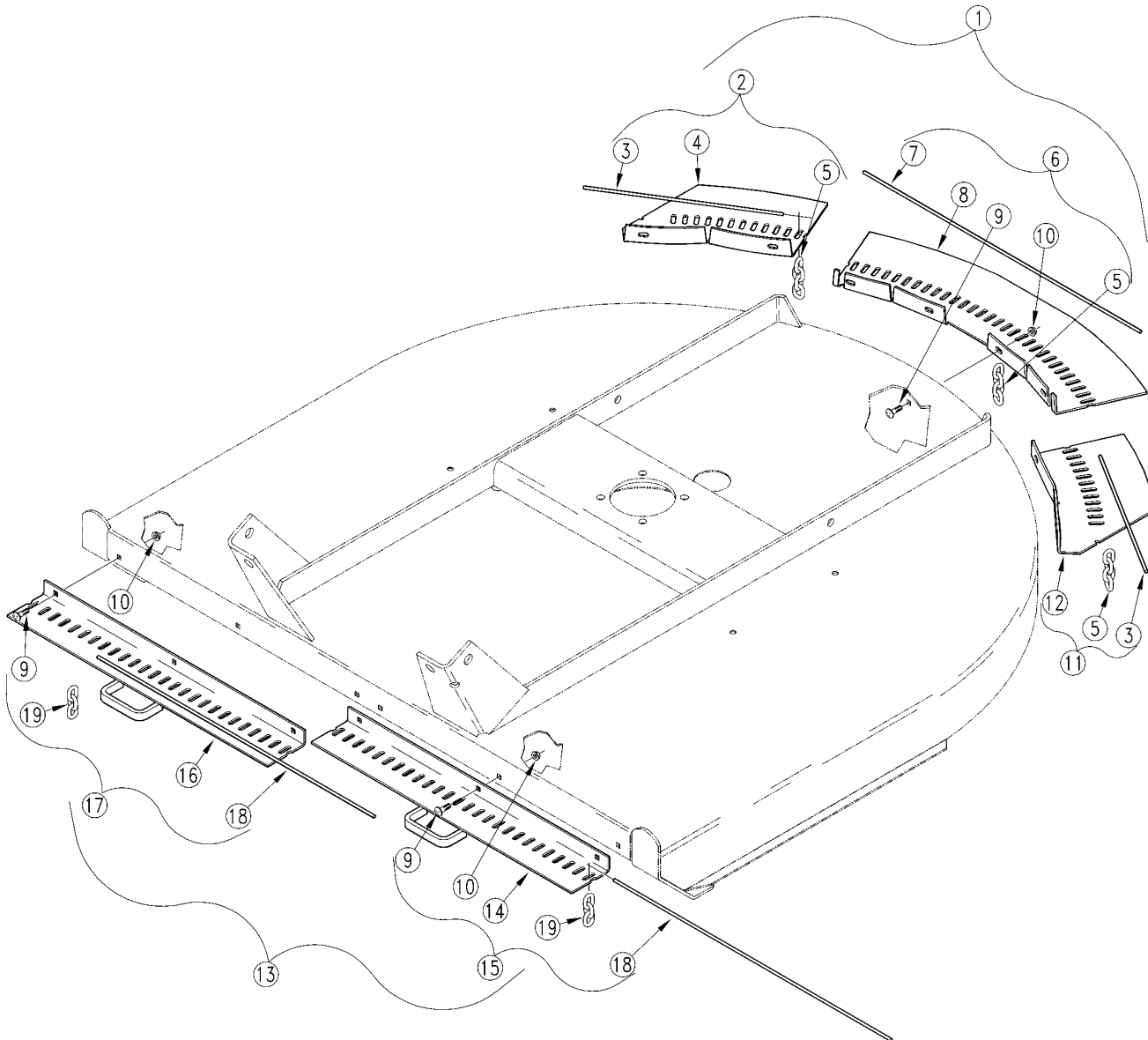
16339

Tail Wheel**Applies to RCR1542, RCR1548, RCR1560, RCR1572**

| Ref | Part No. | Part Description | Comments | Revision |
|-----|----------|--------------------------------|------------------------------------|----------|
| | | Image Reference: 16339 | | |
| 1. | 312-554A | RUBBER TIRE/WHEEL & YOKE | Includes items 2 through 9 | |
| 2. | 312-021D | TUBE 1 OD X 5/32 WL X 5 3/8 LG | | |
| 3. | 814-065C | WHL&SOLID RBR TIRE 4 X 16I | | |
| 4. | 804-022C | WASHER LOCK SPRING 5/8 PLT | | |
| 5. | 803-021C | NUT HEX 5/8-11 PLT | | |
| 6. | 326-668H | WMT, TAILWHEEL | S/N 810210+ | |
| 6. | 312-561H | RPBY 326-668H | S/N 810209- | |
| 7. | 804-062C | WASHER MACH 1.88 X 1.25 X 10GA | | |
| 8. | 805-177C | PIN ROLL 5/16 X 1 3/4 PLT | | |
| 9. | 802-262C | HHCS 5/8-11X7 GR5 | | |
| 10. | 312-008S | TAILWHEEL HUB AND WHEEL ASSY | Includes items 11 through 16 | |
| 11. | 802-034C | HHCS 1/2-13X1 1/4 GR5 | | |
| 12. | 814-058C | TIRE & WHEEL LAMINATED 4.0 X 8 | | |
| 13. | 312-020D | TAILWHEEL HUB | | |
| 14. | 09-014 | ZERK, M8X1 GREASE | S/N 674390+ | |
| 14. | 800-080C | GREASE ZERK 1/4-28 THD FORMING | S/N 387847- & 388867 to 674389 | |
| 14. | 800-001C | GREASE ZERK STRAIGHT 1/4-28 | S/N 387848 to 388866 | |
| 15. | 804-015C | WASHER LOCK SPRING 1/2 PLT | | |
| 16. | 803-020C | NUT HEX 1/2-13 PLT | | |
| 17. | 312-553A | LAMINATED TIRE/WHEEL & YOKE | Includes items 2, 4 through 9 & 10 | |
| 18. | 001S1 | COMER ITEC BRG FOR 814-065C | Qty 2 | |

Guards Chain

Applies to RCR1542, RCR1548, RCR1560, RCR1572



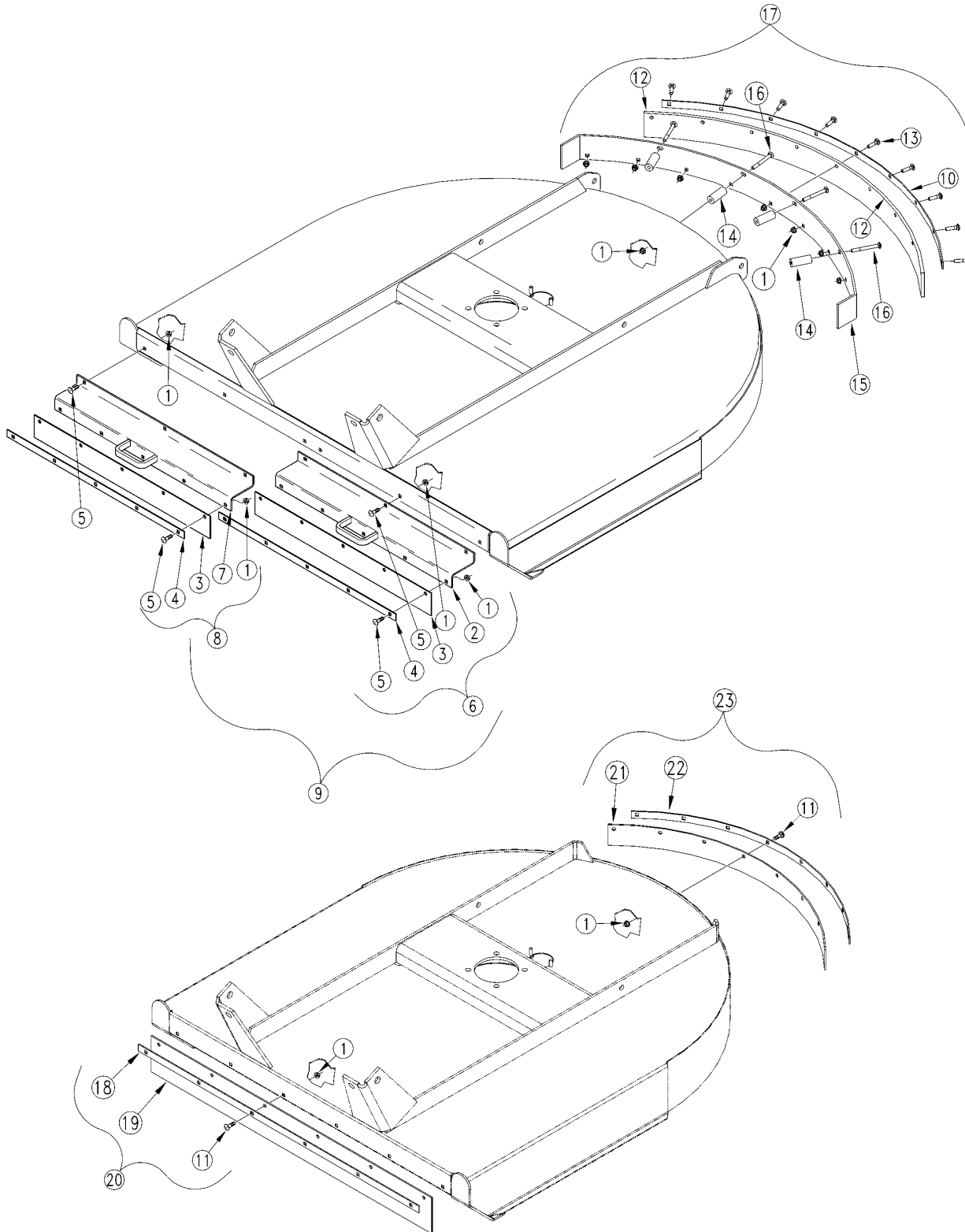
16340

Guards Chain**Applies to RCR1542, RCR1548, RCR1560, RCR1572**

| Ref | Part No. | Part Description | Comments | Revision |
|-----|----------|--------------------------------|--|----------|
| | | Image Reference: 16340 | | |
| 1. | 312-552A | REAR CHAIN GUARD COMPT. | RCR1560; Includes items 2, 6 & 11 | |
| 1. | 312-576A | REAR CHAIN GUARD COMPLETE | RCR1572 | |
| 2. | 312-566K | ASSY. REAR OUTER RH. CHAIN GD. | RCR1560; Includes items 3, 4, 5, 9 & 10 | |
| 2. | 312-593K | ASSY. REAR OUTER RH. CHAIN GD. | RCR1572 | |
| 3. | 312-890D | ROUND ROD 1/4 X 15 1/2 | RCR1560 | |
| 3. | 318-142D | ROUND ROD 1/4 X 21 | RCR1572 | |
| 4. | 312-864D | REAR OUTER RH. CHAIN GUARD | RCR1560 | |
| 4. | 312-884D | REAR OUTER RH. CHAIN GUARD | RCR1572 | |
| 5. | 890-400C | CHAIN WELD 5/16 PROOF X 4 LINK | | |
| 6. | 312-565K | ASSY. REAR CENTER CHAIN GUARD | RCR1560; Includes items 5 & 7 through 10 | |
| 6. | 312-592K | ASSY. REAR CENTER CHAIN GUARD | RCR1572 | |
| 7. | 312-891D | ROUND ROD 1/4 X 30 1/2 | RCR1560 | |
| 7. | 318-108D | ROUND ROD 1/4 X 36 | RCR1572 | |
| 8. | 312-863D | REAR CENTER CHAIN GUARD | RCR1560 | |
| 8. | 312-883D | REAR CENTER CHAIN GUARD BRKT. | RCR1572 | |
| 9. | 802-015C | RHSNB 3/8-16X1 GR5 | | |
| 10. | 803-198C | NUT HEX WHIZ 3/8-16 PLT | | |
| 11. | 312-567K | ASSY. REAR OUTER LH. CHAIN GD. | RCR1560; Includes items 3, 5, 9, 10 & 12 | |
| 11. | 312-594K | ASSY. REAR OUTER LH. CHAIN GD. | RCR1572 | |
| 12. | 312-865D | REAR OUTER LH. CHAIN GUARD | RCR1560 | |
| 12. | 312-885D | REAR OUTER LH. CHAIN GUARD | RCR1572 | |
| 13. | 312-551A | FRONT CHAIN GUARDING COMPT. | RCR1560; Includes items 15 & 17 | |
| 13. | 312-575A | FRONT CHAIN GUARDING COMPLETE | RCR1572 | |
| 14. | 312-562H | FRONT CHAIN GUARD BRKT. WLDMT. | RCR1560 | |
| 14. | 312-584H | FRT.CHAIN GUARD BRKT. WLD.LH. | RCR1572 | |
| 15. | 312-564K | ASSY. FRONT CHAIN GUARD | RCR1560; Includes items 9, 10, 16, 18 & 19 | |
| 15. | 312-589K | ASSY. FRT. CHAIN GUARDS LH. | RCR1572 | |
| 16. | 312-562H | FRONT CHAIN GUARD BRKT. WLDMT. | RCR1560 | |
| 16. | 312-582H | FRT.CHAIN GUARD BRKT. WLD.RH | RCR1572 | |
| 17. | 312-564K | ASSY. FRONT CHAIN GUARD | RCR1560; Includes items 9, 10, 14, 18 & 19 | |
| 17. | 312-590K | ASSY. FRT. CHAIN GUARDS RH. | RCR1572 | |
| 18. | 318-107D | ROUND ROD 1/4 X 31 1/2 | RCR1560 | |
| 18. | 312-889D | ROUND ROD 1/4 X 39 | RCR1572 | |
| 19. | 890-485C | CHAIN WELD 5/16 PROOF X 3 LINK | | |

Guards Rubber

Applies to RCR1542, RCR1548, RCR1560, RCR1572



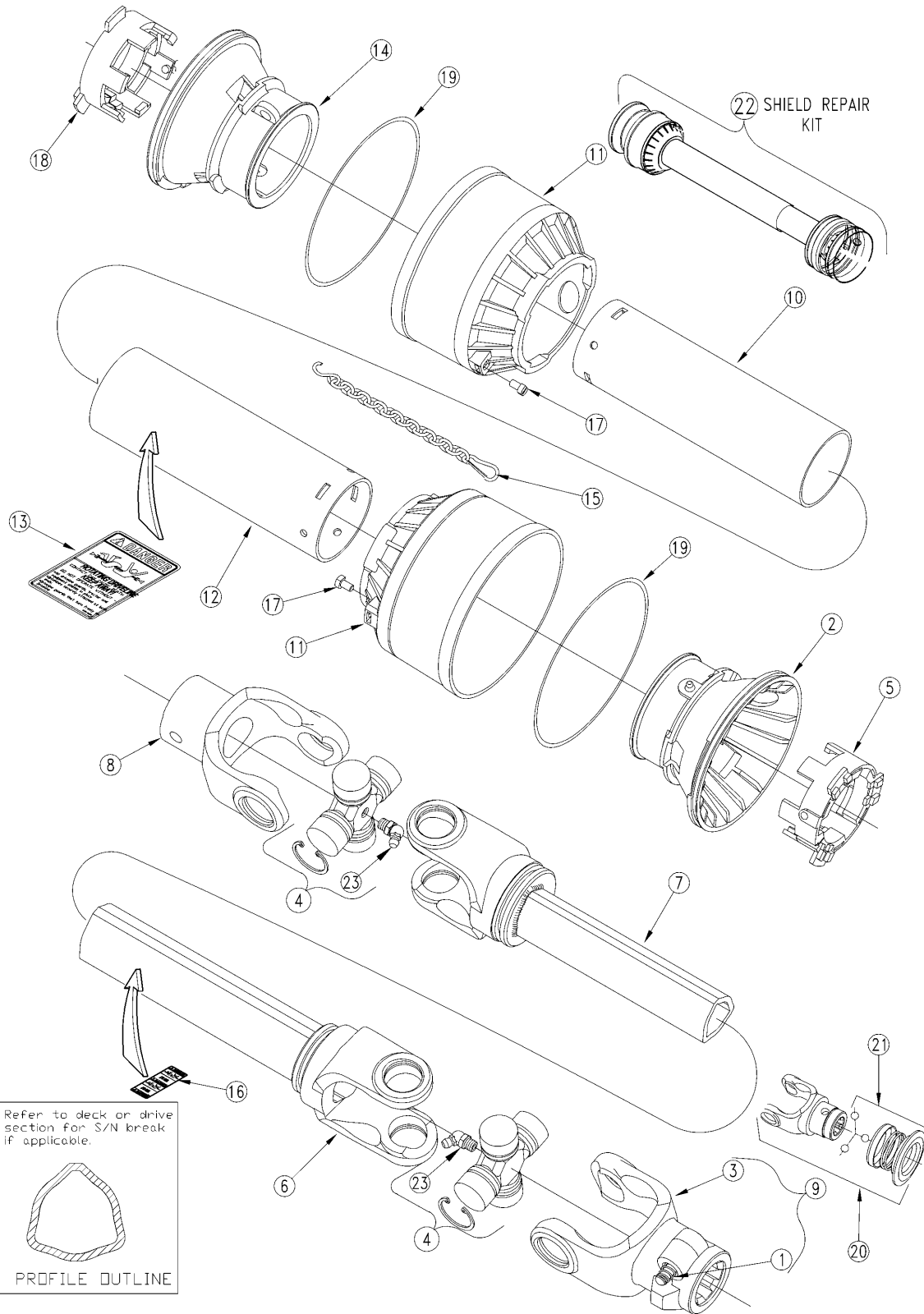
16617

Guards Rubber**Applies to RCR1542, RCR1548, RCR1560, RCR1572**

| Ref | Part No. | Part Description | Comments | Revision |
|-----|----------|--------------------------------|--|----------|
| | | Image Reference: 16617 | | |
| 1. | 803-198C | NUT HEX WHIZ 3/8-16 PLT | | |
| 2. | 312-563H | FRONT DEFLECTOR BRACKET WLDMT. | RCR1560 | |
| 2. | 312-585H | FRT.DEFLECTOR BRKT. WLDMT. LH. | RCR1572 | |
| 3. | 816-276C | 60" FRONT RUBBER DEFLECTOR | RCR1560 | |
| 3. | 816-281C | 72" FRONT RUBBER DEFLECTOR | RCR1572 | |
| 4. | 312-770D | 60" DEFLECTOR SUPPORT FLAT | RCR1560 | |
| 4. | 312-772D | 72" DEFLECTOR SUPPORT FLAT | RCR1572 | |
| 5. | 802-155C | RHSNB 3/8-16X1 1/4 GR5 | | |
| 6. | 312-571K | ASSY. FRONT RUBBER DEFLECTOR | RCR1560; Includes items 1 through 5 | |
| 6. | 312-587K | FRONT RUBBER DEF. LH. COMPT. | RCR1572 | |
| 7. | 312-563H | FRONT DEFLECTOR BRACKET WLDMT. | RCR1560 | |
| 7. | 312-583H | FRT.DEFLECTOR BRKT. WLDMT. RH. | RCR1572 | |
| 8. | 312-571K | ASSY. FRONT RUBBER DEFLECTOR | RCR1560; Includes items 1, 3, 4, 5 & 7 | |
| 8. | 312-586K | FRONT RUBBER DEF. RH. COMPT. | RCR1572 | |
| 9. | 312-550A | FRONT RUBBER DEFLECTOR COMPT. | RCR1560; Includes items 6 & 8 | |
| 9. | 312-574A | FRONT RUBBER DEFLECTOR COMPT. | RCR1572 | |
| 10. | 312-953D | DEFLECTOR STRAP RCR1560 | | |
| 10. | 312-950D | DEFLECTOR STRAP RCR1572 | | |
| 11. | 802-155C | RHSNB 3/8-16X1 1/4 GR5 | S/N 855831+ | |
| 11. | 802-015C | RHSNB 3/8-16X1 GR5 | S/N 855830- | |
| 12. | 816-310C | RUBBER DEFLECTOR RCR1560 | | |
| 12. | 816-309C | RUBBER DEFLECTOR RCR1572 | | |
| 13. | 802-453C | RHSNB 3/8-16X1 1/2 GR5 | | |
| 14. | 312-948D | DEFLECTOR SPACER | | |
| 15. | 312-952D | REAR RUBBER DEF. BRKT RCR1560 | | |
| 15. | 312-949D | REAR RUBBER DEF. BRKT RCR1572 | | |
| 16. | 802-647C | RHSNB 3/8-16X3 1/2 GR5 | | |
| 17. | 312-652A | RCR1560 REAR RUBBER DEF. ASSY. | | |
| 17. | 312-651A | RCR1572 REAR RUBBER DEF. ASSY. | | |
| 18. | 312-994D | RCR1542 FRONT STRAP | | |
| 18. | 312-984D | RCR1548 FRONT STRAP | | |
| 19. | 816-340C | RCR1542 FRONT RUBBER DEFLECTOR | | |
| 19. | 816-322C | RCR1548 FRONT RUBBER DEF. | | |
| 20. | 312-674A | RCR1542 FRONT RUBBERGUARD ASSY | | |
| 20. | 312-672A | RCR1548 FRONT RUBBERGUARD ASSY | | |
| 21. | 816-339C | RCR1542 REAR RUBBER DEFLECTOR | | |
| 21. | 816-321C | RCR1548 REAR RUBBER DEF. | | |
| 22. | 327-399D | RCR1542 REAR STRAP | S/N 855831+ | |
| 22. | 312-993D | RCR1542 REAR STRAP | S/N 855830- | |
| 22. | 327-398D | RCR1548 REAR STRAP | S/N 855831+ | |
| 22. | 312-983D | RCR1548 REAR STRAP | S/N 855830- | |
| 23. | 312-675A | RCR1542 REAR RUBBERGUARD ASSY | | |
| 23. | 312-673A | RCR1548 REAR RUBBERGUARD ASSY | | |

Driveline (826-019C) Eurocardan (S/N 325013-)

Applies to RCR1542, RCR1548, RCR1560



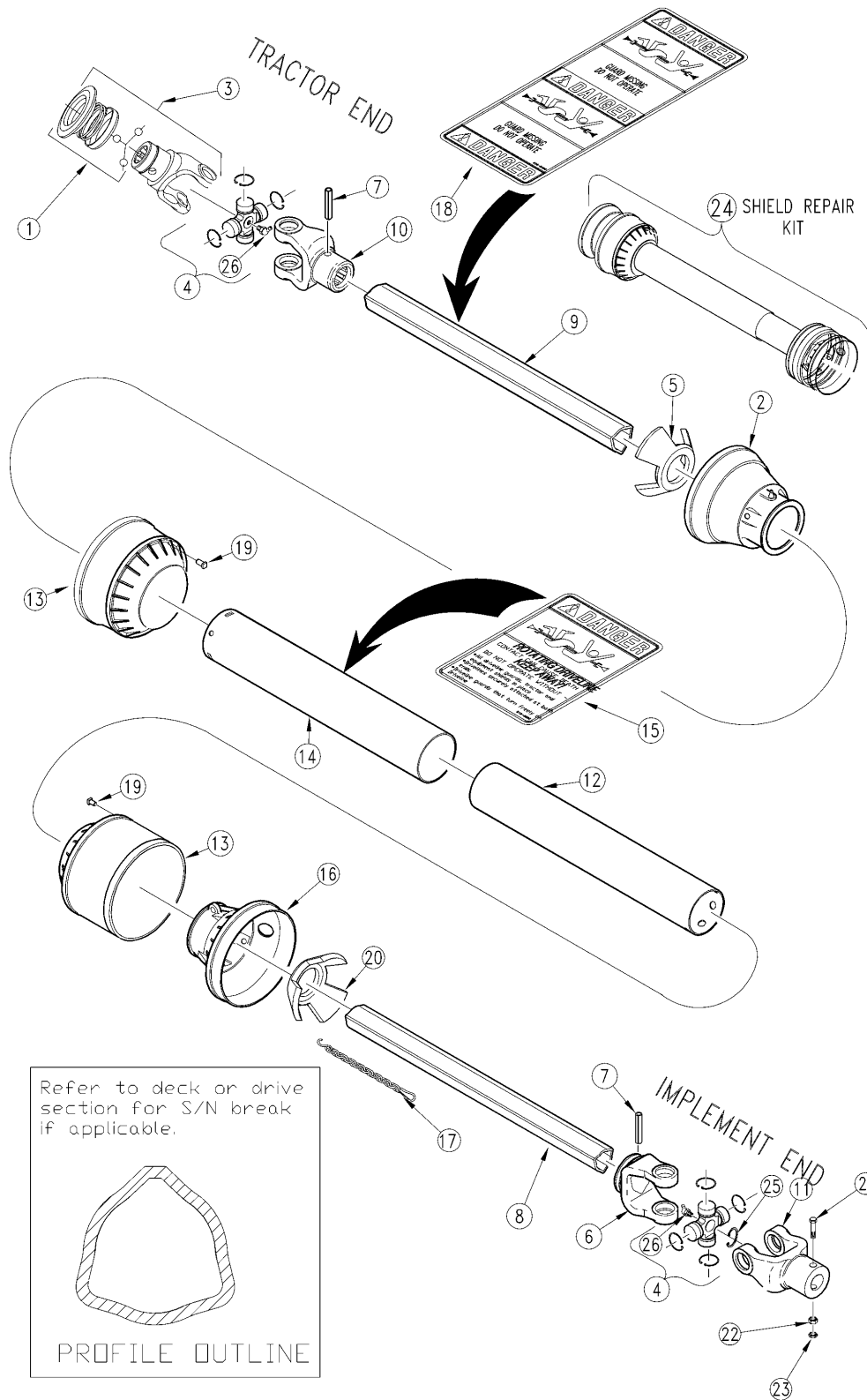
22194

Driveline (826-019C) Eurocardan (S/N 325013-)**Applies to RCR1542, RCR1548, RCR1560**

| Ref | Part No. | Part Description | Comments | Revision |
|------------|-----------------------|--|-----------------|-----------------|
| | Dwg 22194 826-019C | Drawing Image Number RPBY 312-023A * | Obsolete | |
| 1. | 1581038 | RPBY 1581037 | Obsolete | |
| 2. | 1884201 | EC OUTER TUBE RIGID CONE | | |
| 3. | 1014012 | EC YOKE ASSY (TRACTOR END) | | |
| 4. | 1004020 | EC CROSS ASSEMBLY (U JOINT) | | |
| 5. | 1784210 | EC TUBE BEARING | | |
| 6. | 1944058N | EC OUTSIDE TUBE WITH YOKE | | |
| 7. | 1954060N | EC INSIDE TUBE WITH YOKE | | |
| 8. | 1074033 | EC YOKE ASSEMBLY (IMP. END) | | |
| 9. | 1014012 | EC YOKE ASSY (TRACTOR END) | | |
| 10. | 1872056 | EC INNER TUBE (1872087) 560MM | | |
| 11. | 1884203 | EC SOFT CONE | | |
| 12. | 1873056 | EC OUTER TUBE (1873087) 540MM | | |
| 13. | 818-552C | DECAL DANGER PTO DRIVELINE | | |
| 14. | 1884202 | EC INNER TUBE RIGID CONE | | |
| 15. | 44321 | DRIVELINE SHIELD SAFETY CHAIN | S/N 946472- | |
| 16. | 818-540C | DECAL DANGER GUARD MISS PTO | | |
| 17. | 1784212 | EC PIN STOP ROTATION | | |
| 18. | 1784211 | EC TUBE BEARING | | |
| 19. | 1213233 | EC STIFFENING RING | | |
| 20. | 1024010 | RPBY 1014012 | | |
| 21. | 1004227 | EC PULL COLLAR KIT EVOLUTION | | |
| 22. | 826-553C | SHIELD KIT, AX3 & AX4 | | |
| 23. | 084099 | WC ZERK M8 X 1 X 45 DEG | | |

Driveline (826-019C) Eurocardan (S/N 325014+)

Applies to RCR1542, RCR1548, RCR1560



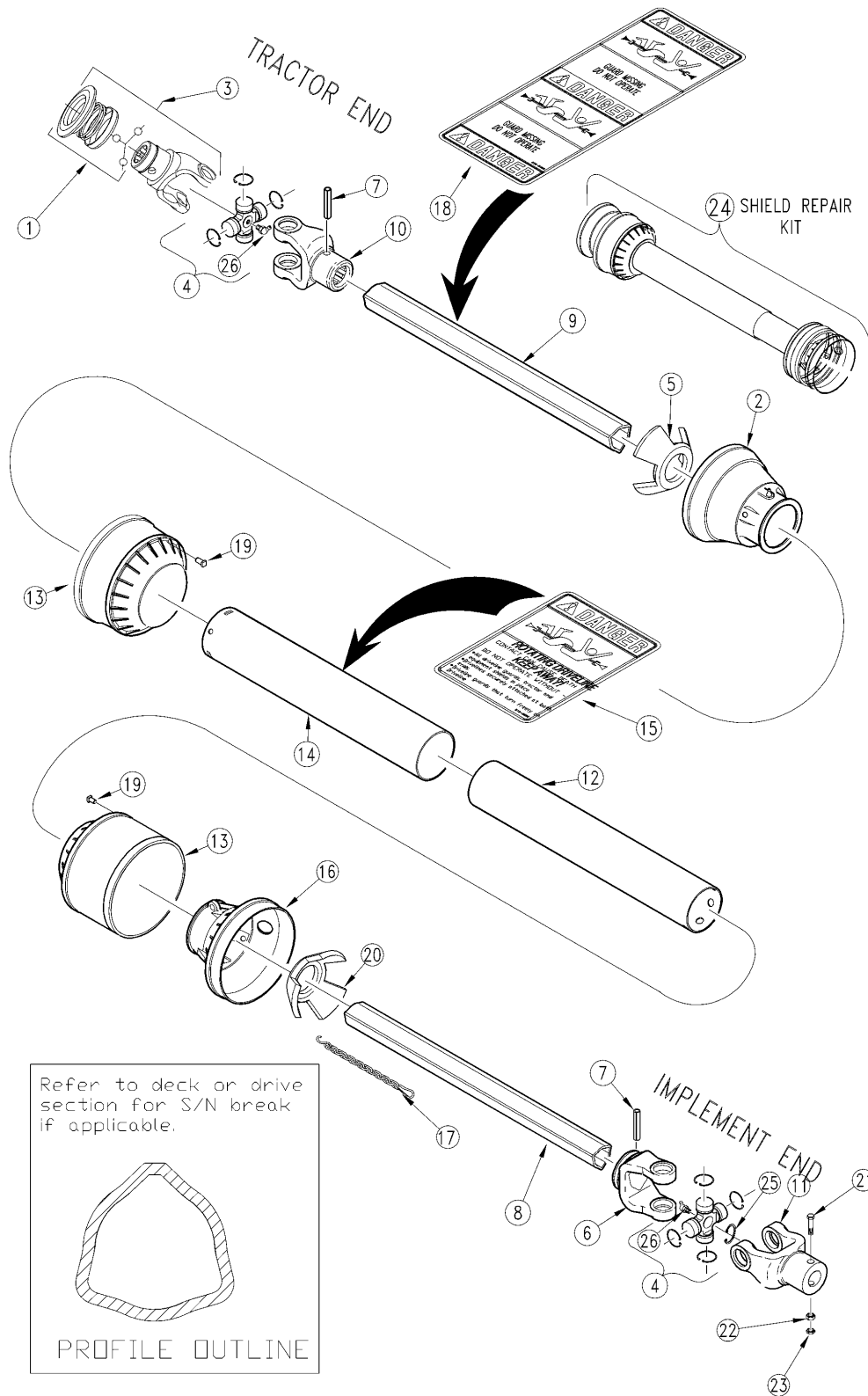
13206

Driveline (826-019C) Eurocardan (S/N 325014+)**Applies to RCR1542, RCR1548, RCR1560**

| Ref | Part No. | Part Description | Comments | Revision |
|-----|-----------------------|--|-------------|----------|
| | Dwg 13206 826-019C | Drawing Image Number RPBY 312-023A * | Obsolete | |
| 1. | 1004225 | RPBY 1004227 | | |
| 2. | 1884201 | EC OUTER TUBE RIGID CONE | | |
| 3. | 1014012 | EC YOKE ASSY (TRACTOR END) | | |
| 4. | 1004020 | EC CROSS ASSEMBLY (U JOINT) | | |
| 5. | 1784210 | EC TUBE BEARING | | |
| 6. | 1704029 | EC INNER TUBE YOKE | | |
| 7. | 6330865 | EC 8X65-DIN-1481 O/TUBE R/PIN | | |
| 8. | 1525062 | RPBY 1525082 | | |
| 9. | 1524062 | EC 620MM OUT. STOCK LENGTH TB. | | |
| 10. | 1704027 | EC OUTER TUBE YOKE | | |
| 11. | 1074033 | EC YOKE ASSEMBLY (IMP. END) | | |
| 12. | 1872054 | EC INNER TUBE (1872087) 540MM | | |
| 13. | 1884203 | EC SOFT CONE | | |
| 14. | 1873054 | EC OUTER TUBE (1873087) 540MM | | |
| 15. | 818-552C | DECAL DANGER PTO DRIVELINE | | |
| 16. | 1884202 | EC INNER TUBE RIGID CONE | | |
| 17. | 44321 | DRIVELINE SHIELD SAFETY CHAIN | S/N 946472- | |
| 18. | 818-540C | DECAL DANGER GUARD MISS PTO | | |
| 19. | 1784212 | EC PIN STOP ROTATION | | |
| 20. | 1784211 | EC TUBE BEARING | | |
| 21. | 802-264C | HHCS 1/2-13X3 1/2 GR2 | | |
| 22. | 803-020C | NUT HEX 1/2-13 PLT | | |
| 23. | 803-036C | NUT HEX JAM 1/2-13 PLT | | |
| 24. | 826-553C | SHIELD KIT, AX3 & AX4 | | |
| 25. | 800-079C | SNAP RING EXT 1 3/8 5100-137 | | |
| 26. | 084099 | WC ZERK M8 X 1 X 45 DEG | | |

Driveline (826-020C) Eurocardan

Applies to RCR1572



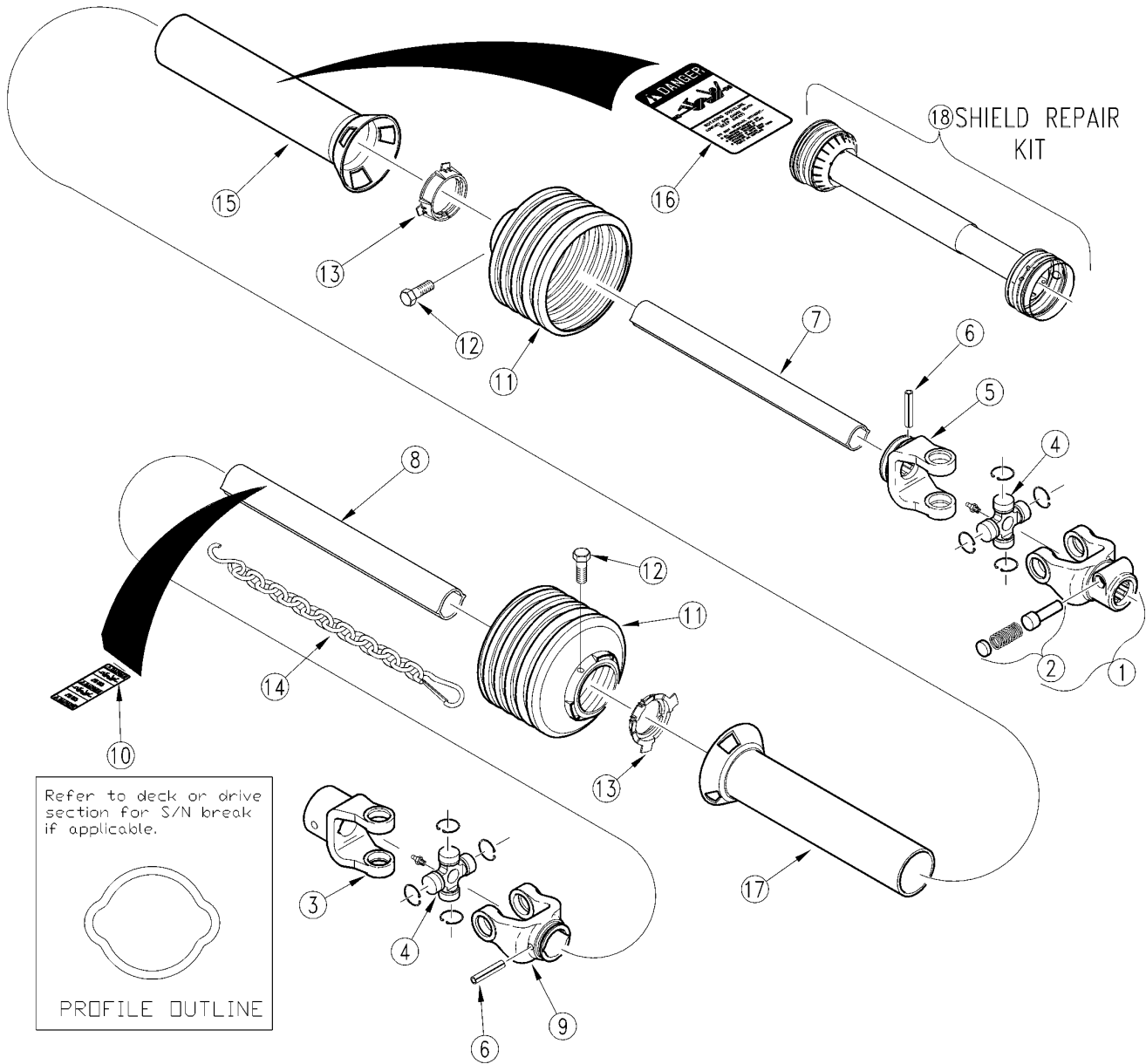
13206

Driveline (826-020C) Eurocardan**Applies to RCR1572**

| Ref | Part No. | Part Description | Comments | Revision |
|------------|-----------------|--|-----------------|-----------------|
| | 826-020C | Image Reference: 13206 RPBY 312-025A * | Obsolete | |
| 1. | 1004225 | EC PULL COLLAR KIT | | |
| 2. | 1884201 | EC OUTER TUBE RIGID CONE | | |
| 3. | 1014012 | EC YOKE ASSEMBLY | | |
| 4. | 1004020 | EC CROSS ASSEMBLY | | |
| 5. | 1784210 | EC TUBE BEARING | | |
| 6. | 1704029 | EC INNER TUBE YOKE | | |
| 7. | 6330865 | EC 8X65-DIN-1481 O/TUBE R/PIN | | |
| 8. | 1525082 | EC INNER TUBE | | |
| 9. | 1524082 | EC OUTER TUBE (1524085) 820MM | | |
| 10. | 1704027 | EC OUTER TUBE YOKE | | |
| 11. | 1074033 | EC YOKE ASSEMBLY (IMP. END) | | |
| 12. | 1872074 | EC INNER TUBE | | |
| 13. | 1884203 | EC SOFT CONE | | |
| 14. | 1873074 | EC OUTER TUBE | | |
| 15. | 818-552C | DECAL DANGER PTO DRIVELINE | | |
| 16. | 1884202 | EC INNER TUBE RIGID CONE | | |
| 17. | 044321 | DRIVELINE SHIELD SAFETY CHAIN | | |
| 18. | 818-540C | DECAL DANGER GUARD MISS PTO | | |
| 19. | 1784212 | EC PIN STOP ROTATION | | |
| 20. | 1784211 | EC TUBE BEARING | | |
| 21. | 802-264C | HHCS 1/2-13X3 1/2 GR2 | | |
| 22. | 803-020C | NUT HEX 1/2-13 PLT | | |
| 23. | 803-036C | NUT HEX JAM 1/2-13 PLT | | |
| 24. | 826-553C | SHIELD KIT, AX3 & AX4 | | |
| 25. | 800-079C | SNAP RING EXT 1 3/8 5100-137 | | |
| 26. | 084099 | WC ZERK M8 X 1 X 45 DEG | | |

Driveline (826-020C) Walterscheid

Applies to RCR1572

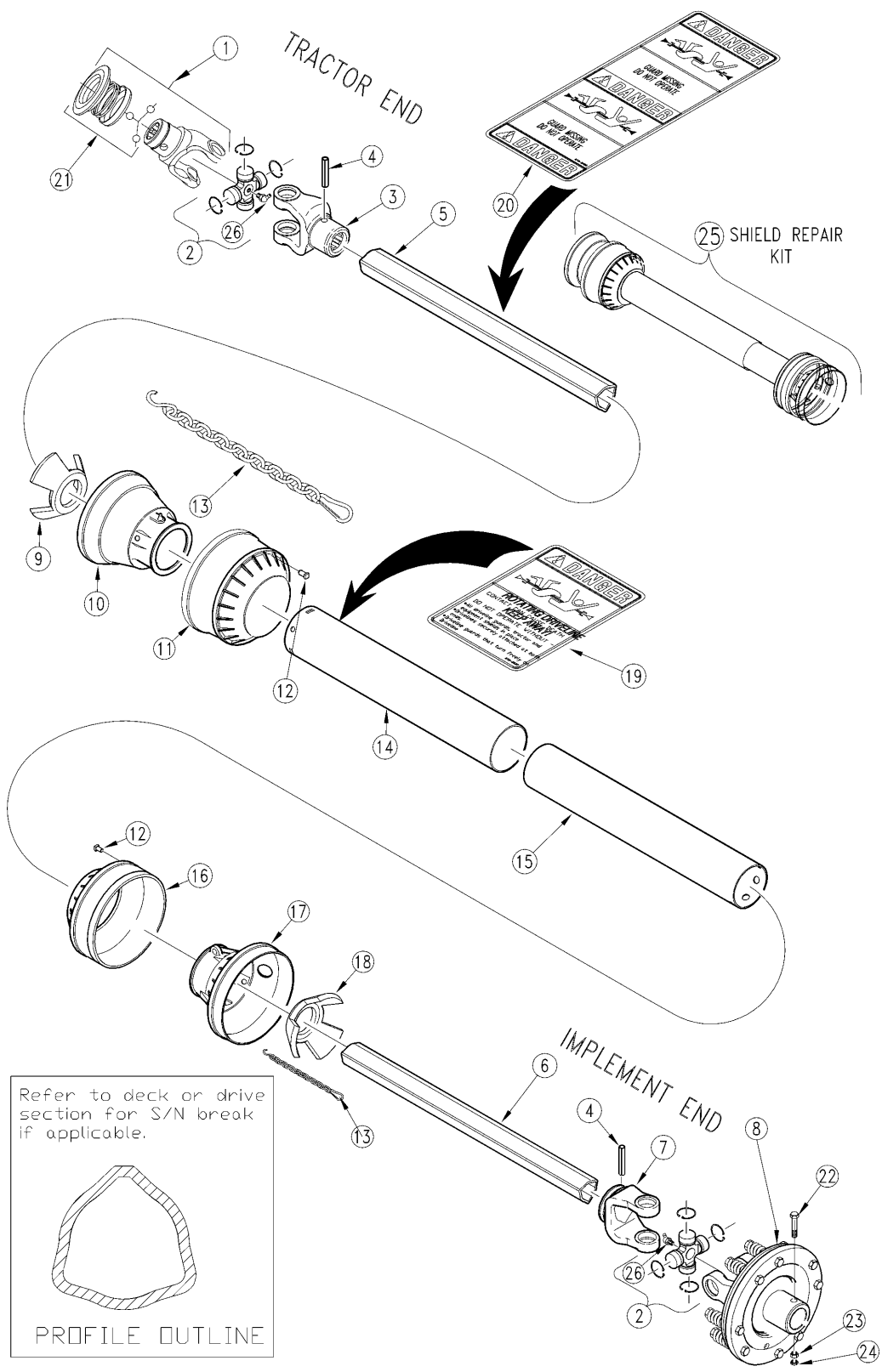


Driveline (826-020C) Walterscheid**Applies to RCR1572**

| Ref | Part No. | Part Description | Comments | Revision |
|------------|-----------------|--|-----------------|-----------------|
| | 826-020C | Image Reference: 11495 RPBY 312-025A * | Obsolete | |
| 1. | 041378 | WALTERSCHEID YOKE 1 3/8-6 SPL | | |
| 2. | 339107 | WS Q.D. PIN KIT | | |
| 3. | 317806 | WS END YOKE | | |
| 4. | 044444 | WALTERSCHEID CROSS & BRG KIT | | |
| 5. | 041315 | WS INBOARD YOKE | | |
| 6. | 020614 | WALTERSCHEID SPRING PIN | | |
| 7. | 049647 | WS RC1572 INNER PROFILE | | |
| 8. | 049665 | WS 1572 OUTER PROFILE | | |
| 9. | 041318 | WS INBOARD YOKE | | |
| 10. | 818-540C | DECAL DANGER GUARD MISS PTO | | |
| 11. | 377235 | WALTERSCHEID SHIELD CONE 5 RIB | | |
| 12. | 365305 | WALTERSCHEID SCREW | | |
| 13. | 087279 | WALTERSCHEID BEARING RING | | |
| 14. | 044321 | WALTERSCHEID SAFETY CHAIN | | |
| 15. | 387066 | WS OUTER SHIELD WITH CAP | | |
| 16. | 818-552C | DECAL DANGER PTO DRIVELINE | | |
| 17. | 387067 | INNER SHIELD TUBE WITH CAP | | |
| 18. | 826-554C | SHIELD KIT, W2200 | | |

Driveline (826-021C) Eurocardan

Applies to RCR1542, RCR1548, RCR1560



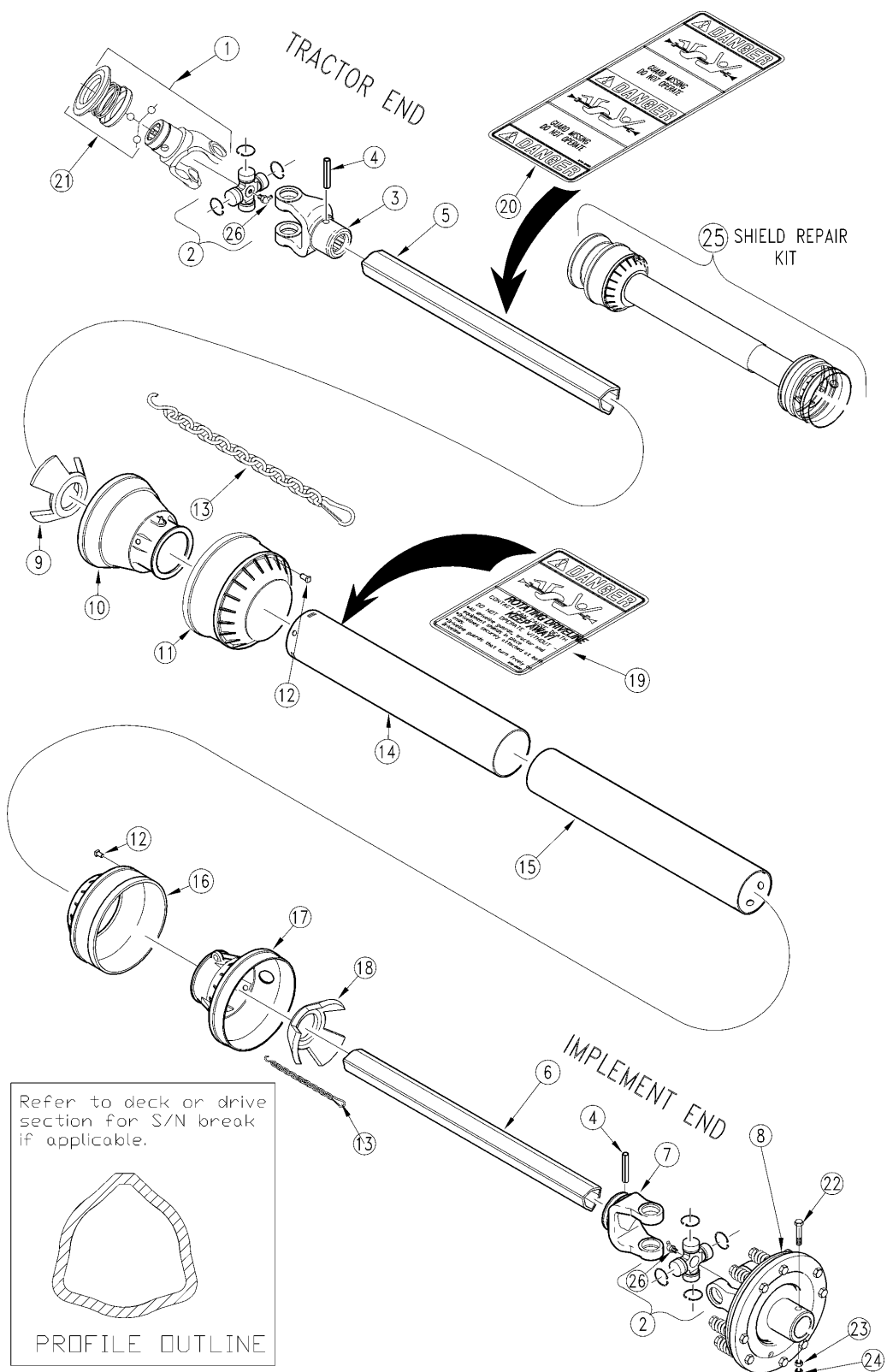
15054

Driveline (826-021C) Eurocardan**Applies to RCR1542, RCR1548, RCR1560**

| Ref | Part No. | Part Description | Comments | Revision |
|------------|-----------------------|--|-----------------|-----------------|
| | Dwg 15054 826-021C | Drawing Image Number RPBY 312-024A * | Obsolete | |
| 1. | 1014012 | EC YOKE ASSEMBLY | | |
| 2. | 1004020 | EC CROSS ASSEMBLY | | |
| 3. | 1704027 | EC OUTER TUBE YOKE | | |
| 4. | 6330865 | EC 8X65-DIN-1481 O/TUBE R/PIN | | |
| 5. | 1524062 | EC OUTER TUBE | | |
| 6. | 1525062 | EC INNER TUBE | | |
| 7. | 1704029 | EC INNER TUBE YOKE | | |
| 8. | 1344014 | EC TORQ LMTR 2 FRICTION DISC | | |
| 9. | 1784210 | EC TUBE BEARING | | |
| 10. | 1884201 | EC OUTER TUBE RIGID CONE | | |
| 11. | 1884203 | EC SOFT CONE | | |
| 12. | 1784212 | EC PIN STOP ROTATION | | |
| 13. | 1006065 | EC ANTIROTATION CHAIN | S/N 946472- | |
| 14. | 1873054 | EC OUTER TUBE | | |
| 15. | 1872054 | EC INNER TUBE | | |
| 16. | 1884204 | EC SOFT CONE | | |
| 17. | 1884202 | EC INNER TUBE RIGID CONE | | |
| 18. | 1784211 | EC TUBE BEARING | | |
| 19. | 818-552C | DECAL DANGER PTO DRIVELINE | | |
| 20. | 818-540C | DECAL DANGER GUARD MISS PTO | | |
| 21. | 1004225 | EC PULL COLLAR KIT | | |
| 22. | 802-265C | HHCS 1/2-13X3 1/2 GR8 | | |
| 23. | 803-020C | NUT HEX 1/2-13 PLT | | |
| 24. | 803-036C | NUT HEX JAM 1/2-13 PLT | | |
| 25. | 826-553C | SHIELD KIT, AX3 & AX4 | | |
| 26. | 084099 | WC ZERK M8 X 1 X 45 DEG | | |

Driveline (826-022C) Eurocardan

Applies to RCR1572



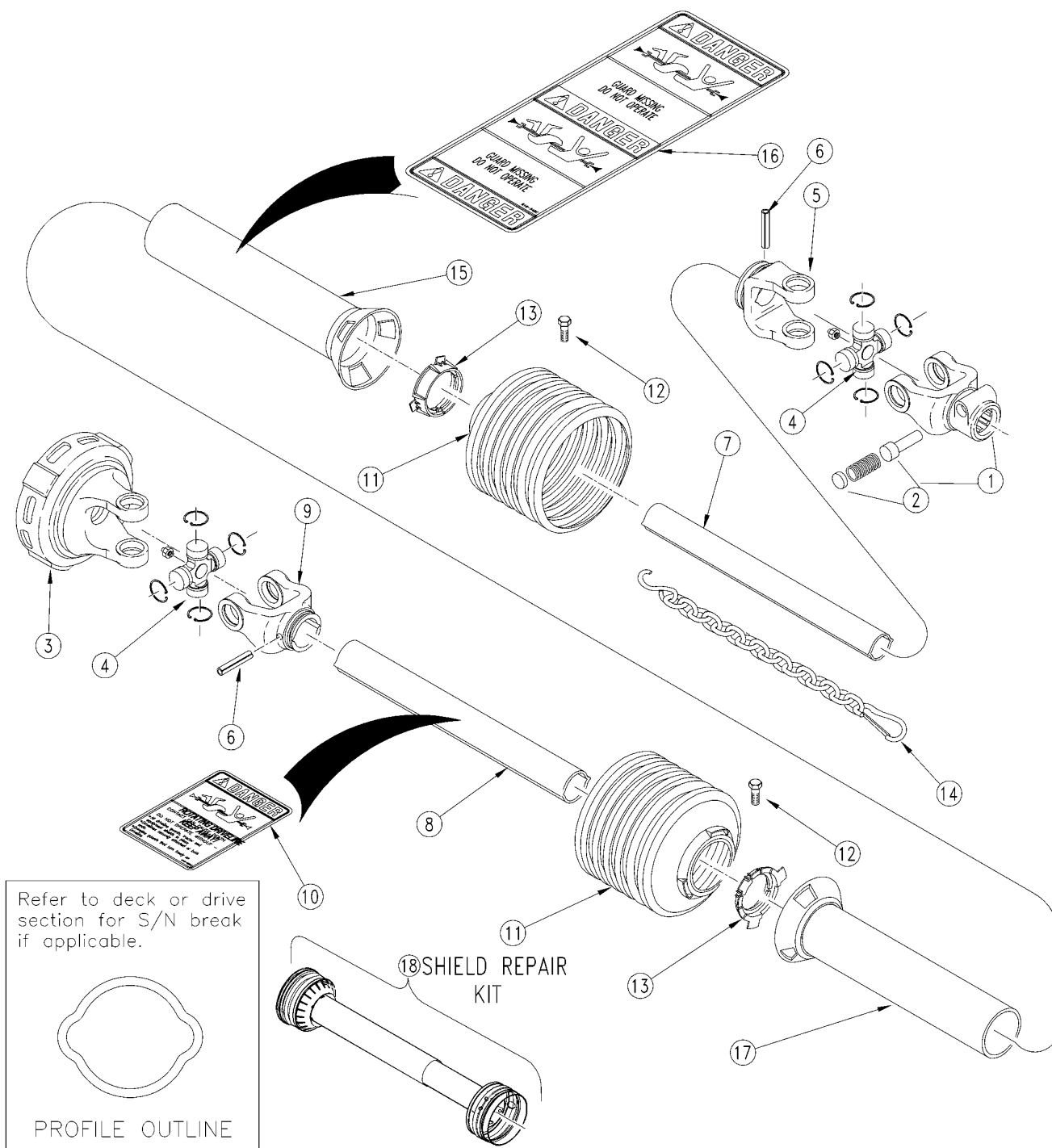
15054

Driveline (826-022C) Eurocardan**Applies to RCR1572**

| Ref | Part No. | Part Description | Comments | Revision |
|------------|-----------------|--|-----------------|-----------------|
| | 826-022C | Image Reference: 15054 RPBY 312-026A * | Obsolete | |
| 1. | 1014012 | EC YOKE ASSEMBLY | | |
| 2. | 1004020 | EC CROSS ASSEMBLY | | |
| 3. | 1704027 | EC OUTER TUBE YOKE | | |
| 4. | 6330865 | EC 8X65-DIN-1481 O/TUBE R/PIN | | |
| 5. | 1524082 | EC OUTER TUBE (1524085) 820MM | | |
| 6. | 1525082 | EC INNER TUBE | | |
| 7. | 1704029 | EC INNER TUBE YOKE | | |
| 8. | 1344014 | EC TORQ LMTR 2 FRICTION DISC | | |
| 9. | 1784210 | EC TUBE BEARING | | |
| 10. | 1884201 | EC OUTER TUBE RIGID CONE | | |
| 11. | 1884203 | EC SOFT CONE | | |
| 12. | 1784212 | EC PIN STOP ROTATION | | |
| 13. | 1006065 | EC ANTIROTATION CHAIN | | |
| 14. | 1873074 | EC OUTER TUBE | | |
| 15. | 1872074 | EC INNER TUBE | | |
| 16. | 1884204 | EC SOFT CONE | | |
| 17. | 1884202 | EC INNER TUBE RIGID CONE | | |
| 18. | 1784211 | EC TUBE BEARING | | |
| 19. | 818-552C | DECAL DANGER PTO DRIVELINE | | |
| 20. | 818-540C | DECAL DANGER GUARD MISS PTO | | |
| 21. | 1004225 | EC PULL COLLAR KIT | | |
| 22. | 802-265C | HHCS 1/2-13X3 1/2 GR8 | | |
| 23. | 803-020C | NUT HEX 1/2-13 PLT | | |
| 24. | 803-036C | NUT HEX JAM 1/2-13 PLT | | |
| 25. | 826-553C | SHIELD KIT, AX3 & AX4 | | |
| 26. | 084099 | WC ZERK M8 X 1 X 45 DEG | | |

Driveline (826-022C) Walterscheid

Applies to RCR1572



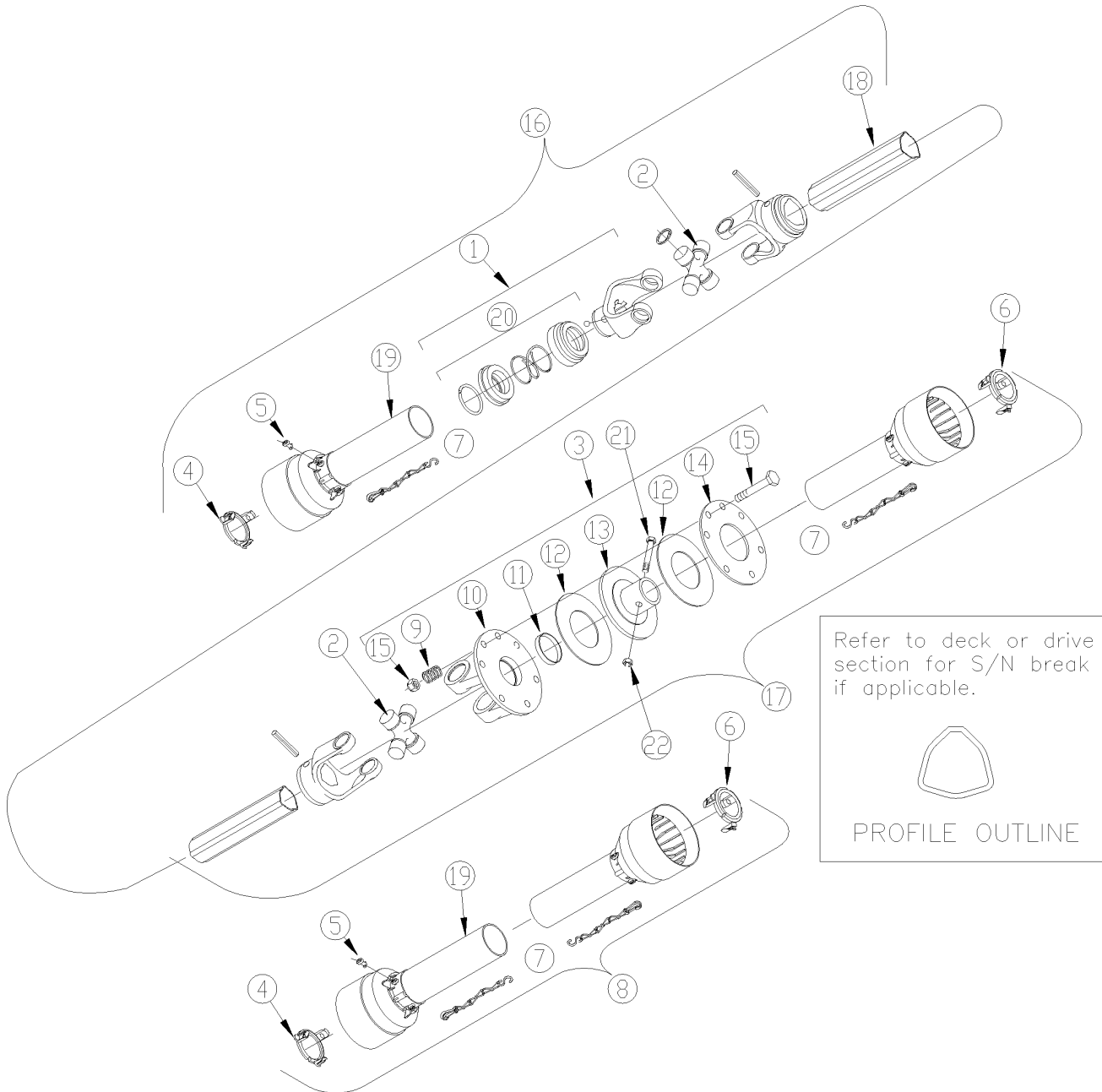
10819

Driveline (826-022C) Walterscheid**Applies to RCR1572**

| Ref | Part No. | Part Description | Comments | Revision |
|------------|-----------------|--|-----------------|-----------------|
| | 826-022C | Image Reference: 10819 RPBY 312-026A * | Obsolete | |
| 1. | 041378 | WALTERSCHEID YOKE 1 3/8-6 SPL | | |
| 2. | 339107 | WS Q.D. PIN KIT | | |
| 3. | 384264 | WS FRICTION CLUTCH | | |
| 4. | 044444 | WALTERSCHEID CROSS & BRG KIT | | |
| 5. | 041315 | WS INBOARD YOKE | | |
| 6. | 020614 | WALTERSCHEID SPRING PIN | | |
| 7. | 049647 | WS RC1572 INNER PROFILE | | |
| 8. | 049665 | WS 1572 OUTER PROFILE | | |
| 9. | 041318 | WS INBOARD YOKE | | |
| 10. | 818-540C | DECAL DANGER GUARD MISS PTO | | |
| 11. | 377235 | WALTERSCHEID SHIELD CONE 5 RIB | | |
| 12. | 365305 | WALTERSCHEID SCREW | | |
| 13. | 087279 | WALTERSCHEID BEARING RING | | |
| 14. | 044321 | WALTERSCHEID SAFETY CHAIN | | |
| 15. | 387066 | WS OUTER SHIELD WITH CAP | | |
| 16. | 818-552C | DECAL DANGER PTO DRIVELINE | | |
| 17. | 387067 | INNER SHIELD TUBE WITH CAP | | |
| 18. | 826-554C | SHIELD KIT, W2200 | | |

Driveline (826-658C & 312-024A) Comer

Applies to RCR1542, RCR1548



30201

Driveline (826-658C & 312-024A) Comer**Applies to RCR1542, RCR1548**

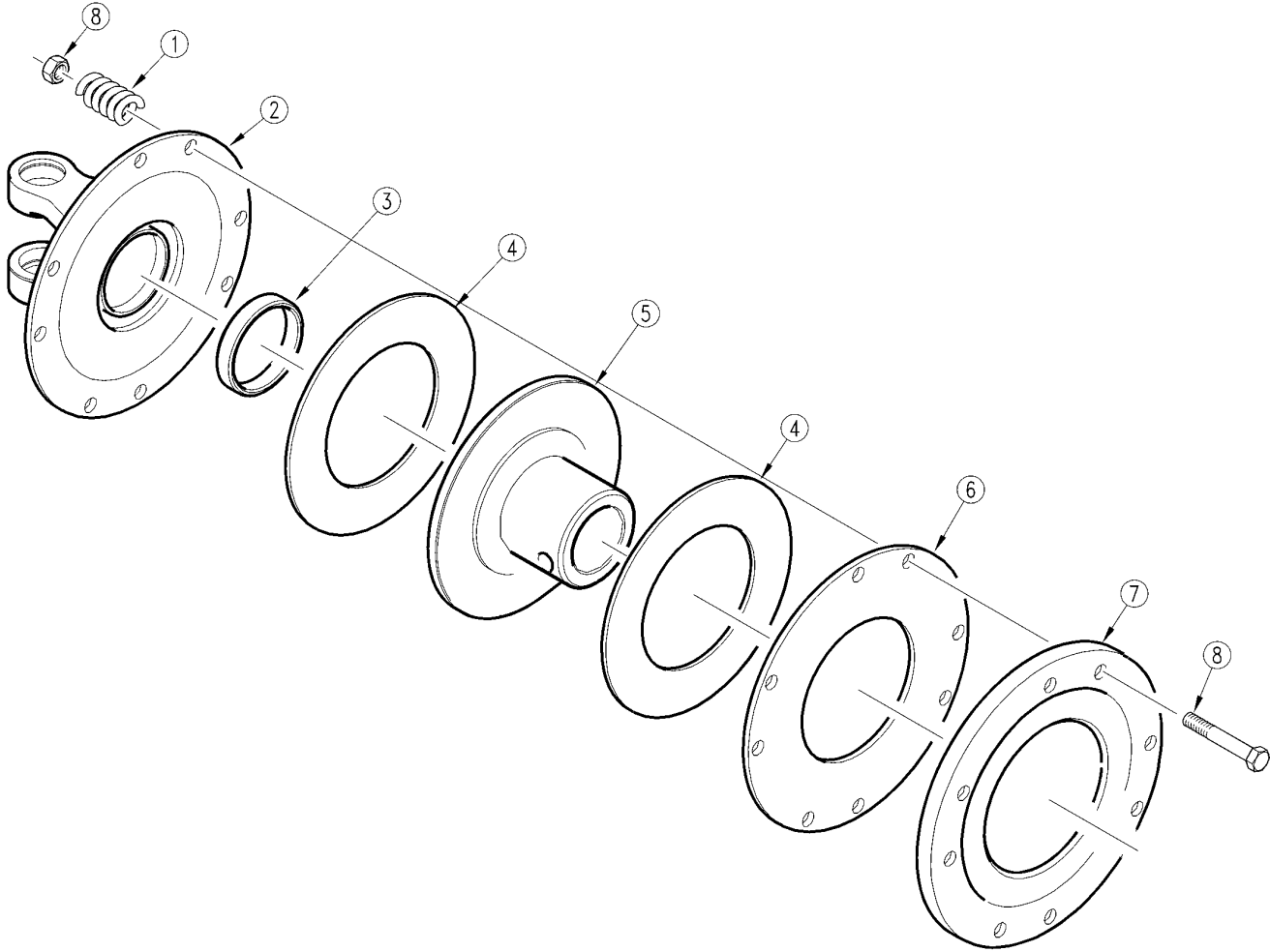
| Ref | Part No. | Part Description | Comments | Revision |
|------------|-----------------|--------------------------------|-----------------|-----------------|
| | Dwg 30201 | Drawing Image Number | | |
| | 312-024A | DRIVELINE CAT.2 X 30 CLUTCH | | |
| | 826-658C | RPBY 312-024A | Obsolete | |
| | | * | | |
| 1. | 141.024.430.1 | CO COMPLETE COLLAR YOKE C12 | | |
| 2. | 180.014.130 | CO CROSS JOURNAL SET | | |
| 3. | 8146.241.040.1 | CO FRICTION CLUTCH | | |
| 4. | 8180.014.233 | RPBY 180.014.233 | Obsolete | |
| 5. | 8180.014.240 | COMER BOLT | | |
| 6. | 8180.014.232 | RPBY 180.014.232 | Obsolete | |
| 7. | 044321 | DRIVELINE SHIELD SAFETY CHAIN | S/N 946472- | |
| 8. | 142.240.4497421 | CO GUARD W/INSTRUCTION MANUAL | | |
| 8. | 81422404497421 | RPBY 142.240.4497421 | | |
| 9. | 180.014.022 | COMER SPRING | | |
| 10. | 151.014.232.1 | CO FLANGED YOKE | | |
| 11. | 180.015.020 | COMER BUSH | | |
| 12. | 180.015.019 | COMER LINING RING | | |
| 13. | 151.014.542.1 | CO HUB F10 | | |
| 14. | 180.015.021.1 | CO PRESSURE PLATE | | |
| 15. | 165.000.501 | COMER NUT & BOLT M10X80 | | |
| 16. | 8123.340.142.11 | CO FEMALE HALF SHFT W/ GRDNG | | |
| 17. | 8123.440.639.11 | CO MALE HALF SHFT W/ GRDNG | | |
| 18. | 190.000.098 | COMER DANGER LABEL OUTER TUBE | | |
| 19. | 190.000.099 | COMER DANGER LABEL GUARD OUTER | | |
| 20. | 165.000.628 | COMER COLLOR KIT 1-3/8 YOKE | | |
| 21. | 802-265C | HHCS 1/2-13X3 1/2 GR8 | | |
| 22. | 803-147C | NUT HEX NYLOCK 1/2-13 | | |

Driveline (826-659C & 312-023A) Comer**Applies to RCR1542, RCR1548**

| Ref | Part No. | Part Description | Comments | Revision |
|------------|-----------------|--------------------------------|-----------------|-----------------|
| | Dwg 30202 | Drawing Image Number | | |
| | 312-023A | DRIVELINE CAT.2 X 30 S/B | | |
| | 826-659C | RPBY 312-023A | Obsolete | |
| | | * | | |
| 1. | 141.024.430.1 | CO COMPLETE COLLAR YOKE C12 | | |
| 2. | 180.014.130 | CO CROSS JOURNAL SET | | |
| 3. | 8141.024.538.1 | CO YOKE | | |
| 4. | 8180.014.233 | RPBY 180.014.233 | Obsolete | |
| 5. | 8180.014.240 | COMER BOLT | | |
| 6. | 8180.014.232 | RPBY 180.014.232 | Obsolete | |
| 7. | 81422404847421 | CO COMPLETE GRD W/ INSTR MNL | | |
| 8. | 8123.340.348.11 | CO FEMALE HALF SHFT W/ GRDNG | | |
| 9. | 8123.440.695.11 | CO MALE HALF SHFT W/ GRDNG | | |
| 10. | 190.000.098 | COMER DANGER LABEL OUTER TUBE | | |
| 11. | 190.000.099 | COMER DANGER LABEL GUARD OUTER | | |
| 12. | 165.000.628 | COMER COLLOR KIT 1-3/8 YOKE | | |
| 13. | 802-264C | HHCS 1/2-13X3 1/2 GR2 | | |
| 14. | 803-147C | NUT HEX NYLOCK 1/2-13 | | |

Driveline Slip Clutch (1344014) Eurocardan

Applies to RCR1542, RCR1548, RCR1560, RCR1572



15203

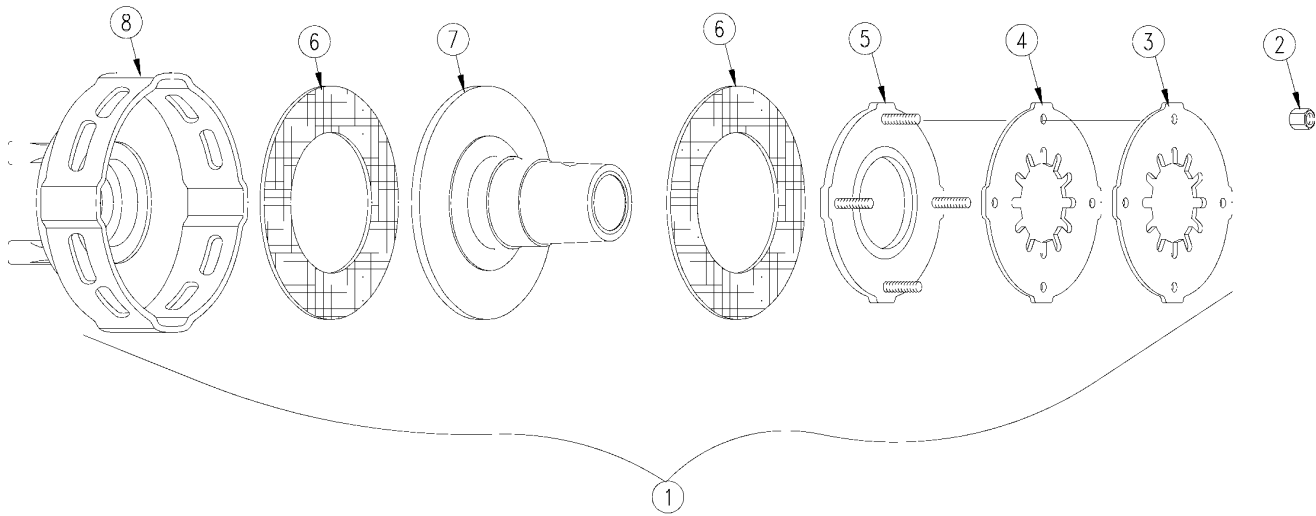
Driveline Slip Clutch (1344014) Eurocardan

Applies to RCR1542, RCR1548, RCR1560, RCR1572

| Ref | Part No. | Part Description | Comments | Revision |
|------------|-----------------|--|-----------------|-----------------|
| | 1344014 | Image Reference: 15203 EC TORQ LMTR 2 FRICTION DISC | | |
| 1. | 1215012 | EC CLUTCH SPRING | | |
| 2. | 1704014 | EC FLANGE WITH YOKE | | |
| 3. | 1705009 | EC CLUTCH BUSHING | | |
| 4. | 1805010 | EC FRICTION DISK | | |
| 5. | 1704015 | EC HUB WITH FLANGE | | |
| 6. | 1135008 | EC INNER DISK | | |
| 7. | 1135007 | EC PRESSURE DISK | | |
| 8. | 6691080 | EC COMPLETE BOLT | | |

Driveline Slip Clutch (384264) Walterscheid

Applies to RCR1572



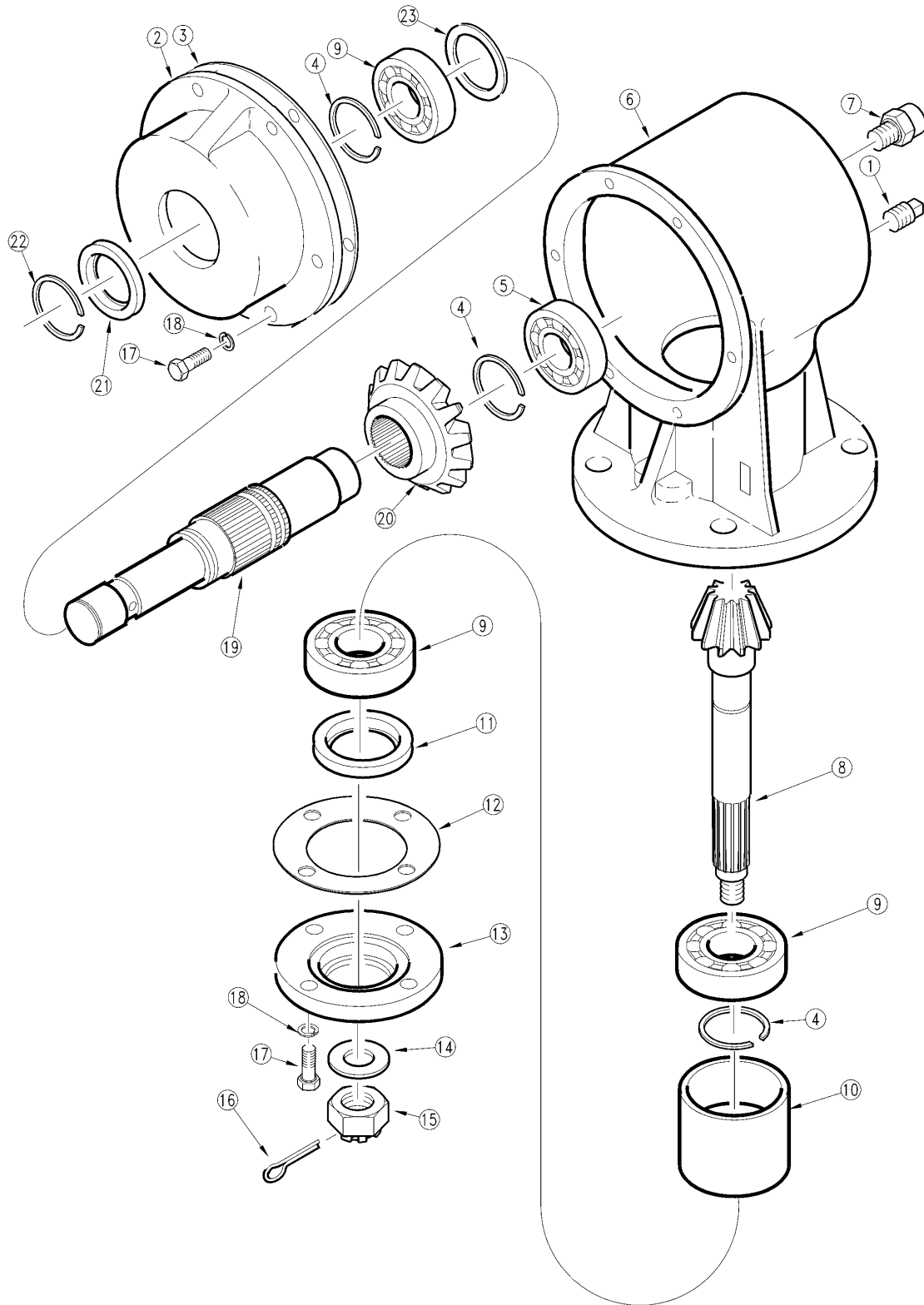
Driveline Slip Clutch (384264) Walterscheid

Applies to RCR1572

| Ref | Part No. | Part Description | Comments | Revision |
|------------|-----------------|--------------------------------|-----------------|---------------------|
| | dwg10422 | Drawing Image Number | | |
| 1. | 384264 | WS FRICTION CLUTCH | | |
| 1. | 384264 | WS FRICTION CLUTCH | | |
| 2. | 381957 | WALTERSCHEID HEX NUT M8 | | |
| 3. | 043487 | WALTERSCHEID BELLEVILLE SPRING | | |
| 4. | 043489 | WS BELLEVILLE SPRING | | |
| 5. | 381495 | WALTERSCHEID THRUST PLATE | | |
| 6. | 168556 | WS FRICTION DISK | | |
| 7. | 383174 | WS HUB | | |
| 8. | 185836 | WS CLUTCH HOUSING | (S/N 46908+) | Rev. 2 |
| 8. | 384267 | WS HOUSING | (S/N 46907-) | Rev 1; Use up stock |

Gearbox (826-018C) OMNI (RCR1560 S/N 293100) & RCR1572

Applies to RCR1560, RCR1572



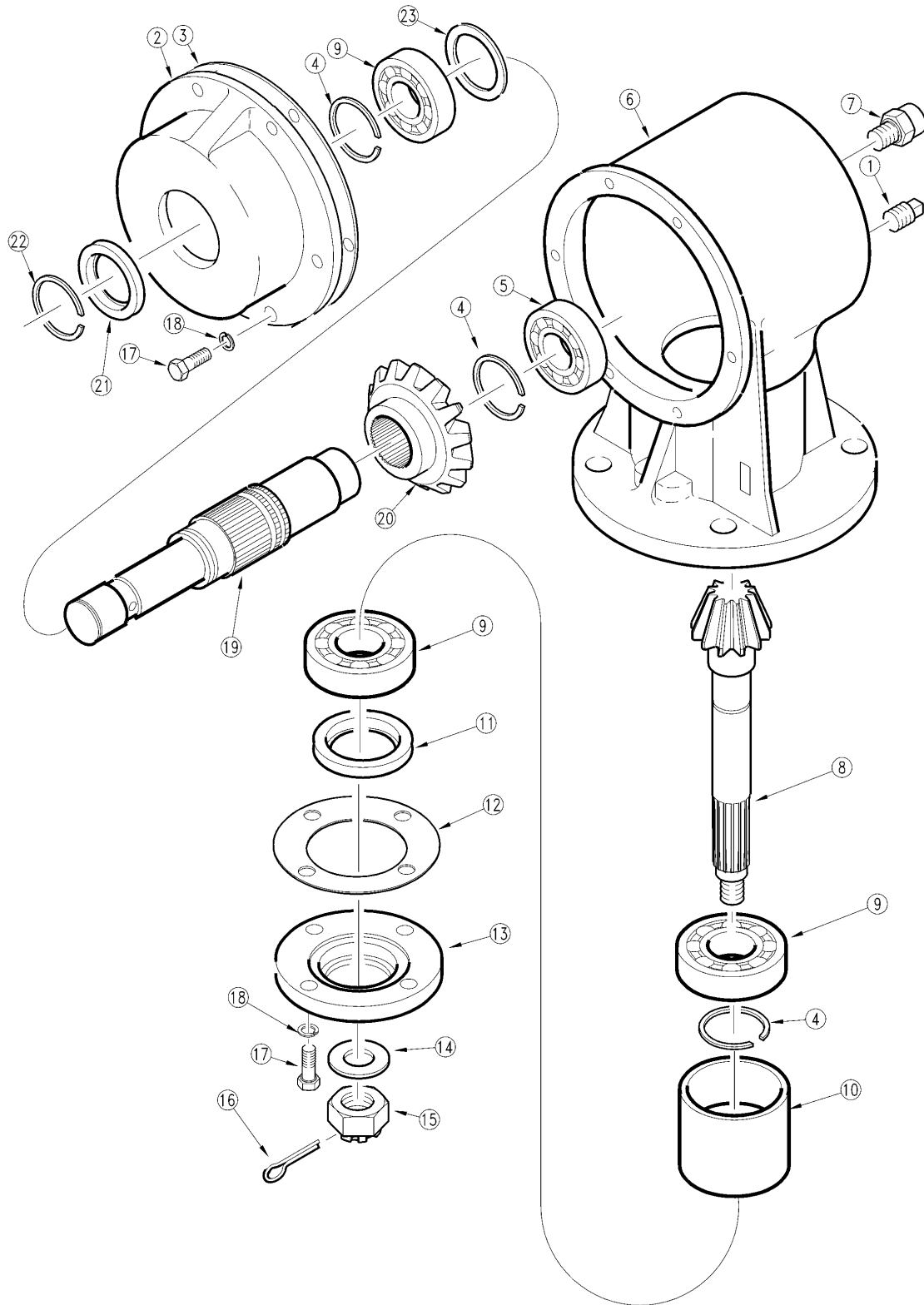
14152

Gearbox (826-018C) OMNI (RCR1560 S/N 293100) & RCR1572**Applies to RCR1560, RCR1572**

| Ref | Part No. | Part Description | Comments | Revision |
|-----|----------|-------------------------------|---------------------------------|---------------------|
| | | Image Reference: 14152 | | |
| | 826-018C | GEARBOX 40HP 1:1.462 SPEEDUP | | |
| 1. | 140017 | OMNI PLUG PIPE SQ HEAD 1/8" | | |
| 2. | 020161 | OMNI CAP INPUT W/MTG. HOLES | | |
| 2. | 070133 | OMNI GASKET, INPUT CAP .10mm | Number of gaskets needed varies | |
| 2. | 070132 | OMNI GASKET, INPUT CAP .15mm | Number of gaskets needed varies | |
| 3. | 070131 | OMNI GASKET, INPUT CAP .40mm | Number of gaskets needed varies | |
| 4. | 200000 | OMNI RETAINING RING | | |
| 5. | 822-166C | BEARING BALL 6207 | | Rev. 2 |
| 5. | 050006 | RPBY 822-166C | | Rev 1; Use up stock |
| 6. | 010001 | OMNI HOUSING | | |
| 7. | 140033 | OMNI PLUG VENT 1/2-14 NPTF | | |
| 8. | 030002 | OMNI OUTPUT PIN 5&6' RC 15T | | |
| 9. | 050007 | OMNI BALL BEARING 208K | | |
| 10. | 090000 | OMNI SPACER | | |
| 11. | 060061 | OMNI OUTPUT SEAL TRIPLE LIP | | |
| 12. | 070136 | OMNI GASKET, OUTPUT CAP .10mm | Number of gaskets needed varies | |
| 12. | 070135 | OMNI GASKET, OUTPUT CAP .15mm | Number of gaskets needed varies | |
| 12. | 070134 | OMNI GASKET, OUTPUT CAP .40mm | Number of gaskets needed varies | |
| 13. | 020003 | OMNI OUTPUT CAP | | |
| 14. | 804-070C | FLAT WASHER 1" SPECIAL | | |
| 15. | 803-095C | NUT HEX SLOTTED 1-14 | | |
| 16. | 805-017C | PIN COTTER 3/16 X 1 3/4 PLT | | |
| 17. | 802-017C | HHCS 3/8-16X1 GR5 | | |
| 18. | 804-013C | WASHER LOCK SPRING 3/8 PLT | | |
| 19. | 040040 | OMNI INPUT SHAFT 4' RC | | |
| 20. | 030003 | OMNI INPUT GEAR 5&6' RC 22T | | |
| 21. | 060060 | OMNI INPUT SEAL TRIPLE LIP | | |
| 22. | 200001 | OMNI RETAINING RING | | |
| 23. | 200040 | OMNI RETAINING RING | | |

Gearbox (826-026C) OMNI RCR1542, RCR1548 & (RCR1560 S/N 293101+)

Applies to RCR1542, RCR1548, RCR1560



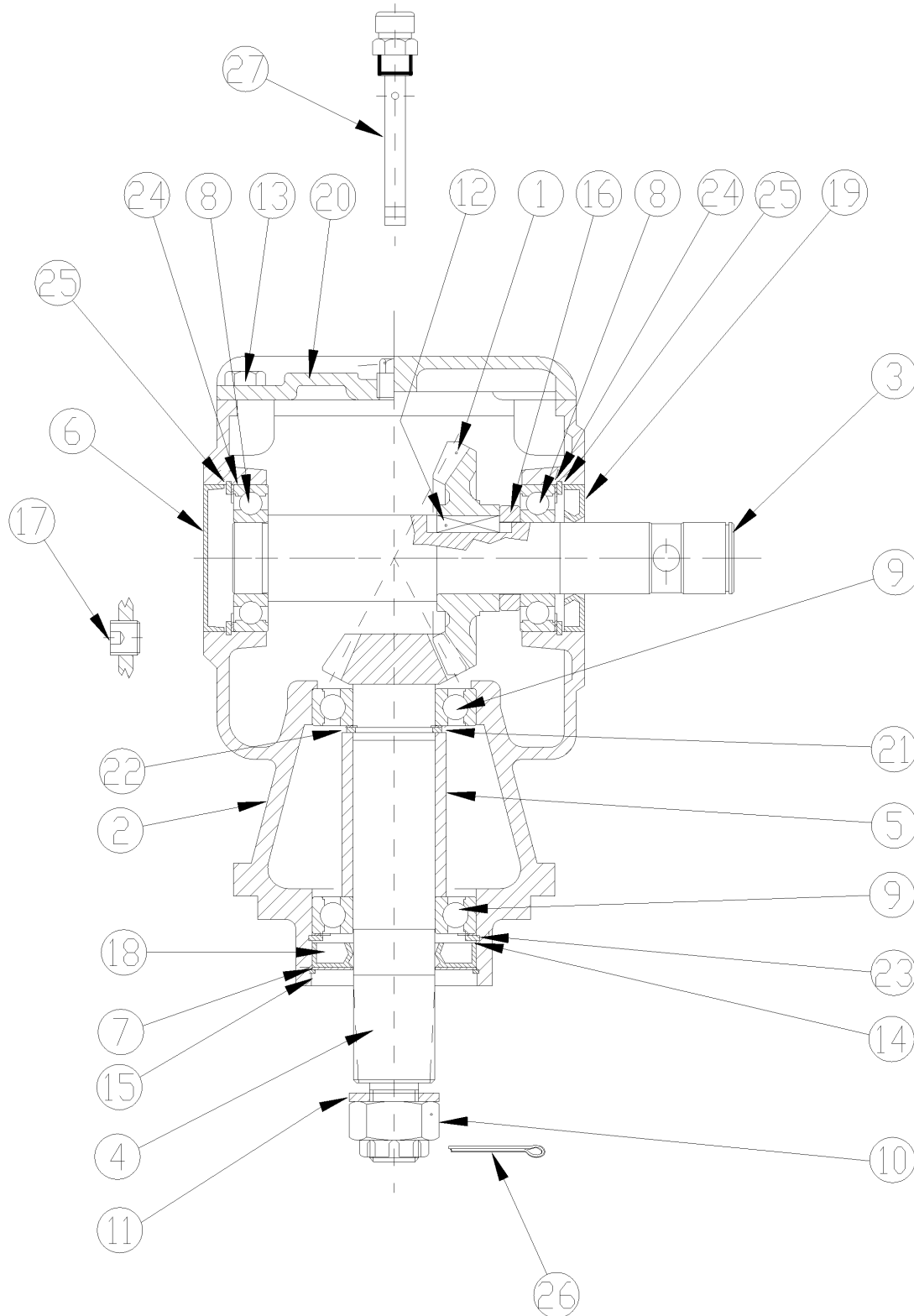
14152

Gearbox (826-026C) OMNI RCR1542, RCR1548 & (RCR1560 S/N 293101+)**Applies to RCR1542, RCR1548, RCR1560**

| Ref | Part No. | Part Description | Comments | Revision |
|-----|----------|-------------------------------|---------------------------------|---------------------|
| | | Image Reference: 14152 | | |
| | 826-026C | GEARBOX 30HP 1:1.93 SPEED-UP | | |
| 1. | 140017 | OMNI PLUG PIPE SQ HEAD 1/8" | | |
| 2. | 020002 | OMNI INPUT CAP | | |
| 3. | 070133 | OMNI GASKET, INPUT CAP .10mm | Number of gaskets needed varies | |
| 3. | 070132 | OMNI GASKET, INPUT CAP .15mm | Number of gaskets needed varies | |
| 3. | 070131 | OMNI GASKET, INPUT CAP .40mm | Number of gaskets needed varies | |
| 4. | 200000 | OMNI RETAINING RING | | |
| 5. | 822-166C | BEARING BALL 6207 | | Rev. 2 |
| 5. | 050006 | RPBY 822-166C | | Rev 1; Use up stock |
| 6. | 010001 | OMNI HOUSING | | |
| 7. | 140033 | OMNI PLUG VENT 1/2-14 NPTF | | |
| 8. | 030037 | OMNI OUTPUT PIN 4' RC 15T | | |
| 9. | 050007 | OMNI BALL BEARING 208K | | |
| 10. | 090000 | OMNI SPACER | | |
| 11. | 060061 | OMNI OUTPUT SEAL TRIPLE LIP | | |
| 12. | 070136 | OMNI GASKET, OUTPUT CAP .10mm | Number of gaskets needed varies | |
| 12. | 070135 | OMNI GASKET, OUTPUT CAP .15mm | Number of gaskets needed varies | |
| 12. | 070134 | OMNI GASKET, OUTPUT CAP .40mm | Number of gaskets needed varies | |
| 13. | 020003 | OMNI OUTPUT CAP | | |
| 14. | 804-070C | FLAT WASHER 1" SPECIAL | | |
| 15. | 803-095C | NUT HEX SLOTTED 1-14 | | |
| 16. | 805-017C | PIN COTTER 3/16 X 1 3/4 PLT | | |
| 17. | 802-017C | HHCS 3/8-16X1 GR5 | | |
| 18. | 804-013C | WASHER LOCK SPRING 3/8 PLT | | |
| 19. | 040040 | OMNI INPUT SHAFT 4' RC | | |
| 20. | 030036 | OMNI INPUT GEAR 4' RC 29T | | |
| 21. | 060060 | OMNI INPUT SEAL TRIPLE LIP | | |
| 22. | 200001 | OMNI RETAINING RING | | |
| 23. | 200040 | OMNI RETAINING RING | | |

Gearbox (826-383C) Comer S/N 377869+

Applies to RCR1542, RCR1548



21448

Gearbox (826-383C) Comer S/N 377869+**Applies to RCR1542, RCR1548**

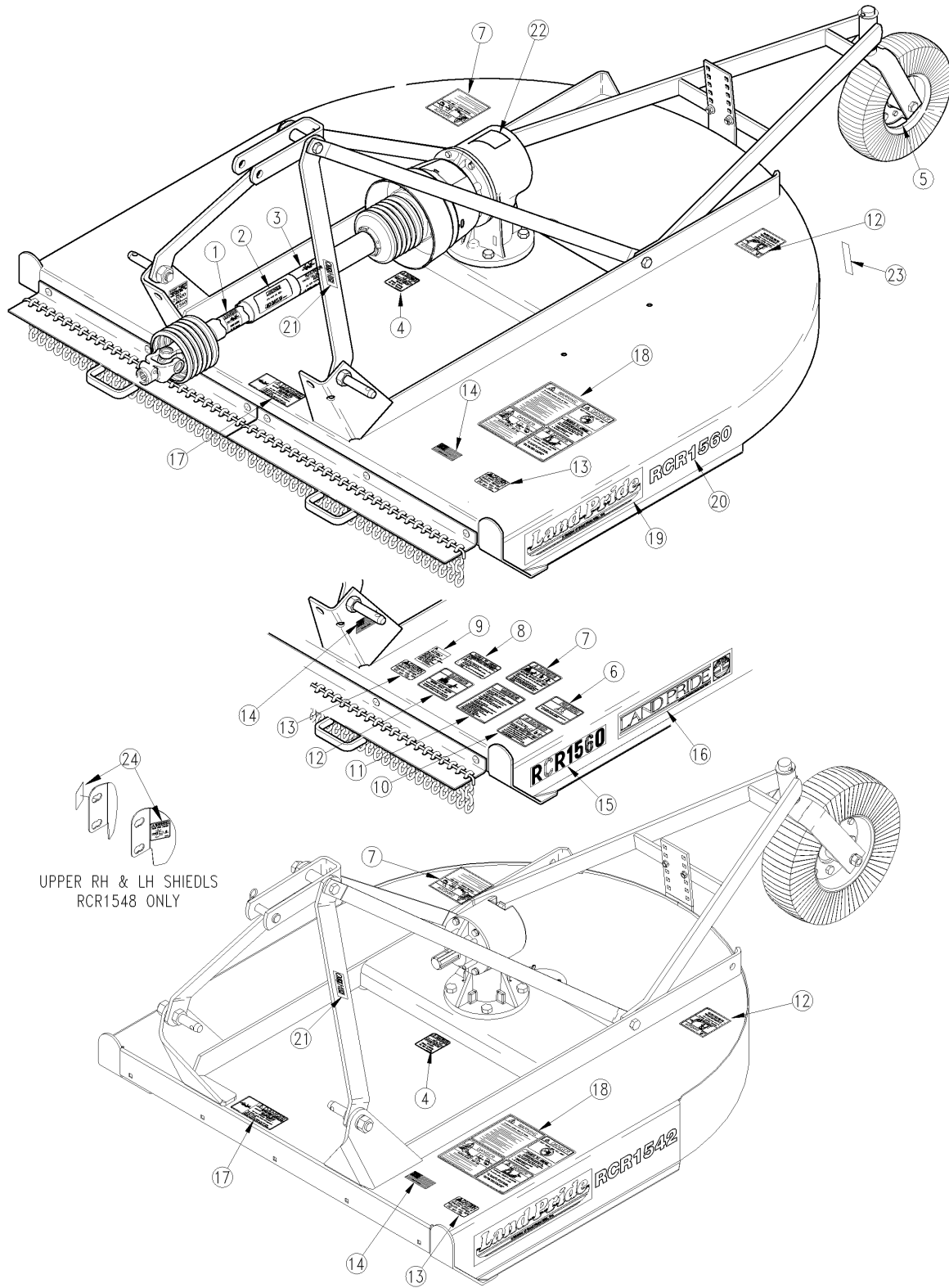
| Ref | Part No. | Part Description | Comments | Revision |
|-----|---------------|-------------------------------|----------|----------|
| | | Image Reference: 21448 | | |
| | 826-383C | GEARBOX COMER | | |
| 1. | 0.135.5000.00 | CO GEAR Z23 M5 | | |
| 2. | 0.209.0300.00 | CO CASTING | | |
| 3. | 0.209.2000.00 | CO INPUT SHAFT 1.38 SMOOTH | | |
| 4. | 0.135.6008.00 | CO PINION Z12 M5 | | |
| 5. | 0.135.7105.00 | CO SPACER | | |
| 6. | 8.7.0.00744 | CO CAP 72 X 10 | | |
| 7. | 1.135.7100.00 | CO WASHER PROTECTIVE | | |
| 8. | 822-166C | BEARING BALL 6207 | | |
| 9. | 822-188C | BALL BEARING 6208 | | |
| 10. | 8.2.2.00515 | CO NUT, CASTLE M24 X 2 | | |
| 11. | 8.3.2.00409 | CO FLAT WASHER 25 X 44 X 4 | | |
| 12. | 8.4.1.00993 | CO PARALLEL KEY B 10 X 8 X 30 | | |
| 13. | 8.1.1.00501 | CO BOLT M10X22 HHB | | |
| 14. | 8.5.2.00030 | CO SNAP RING 80 UNI 7437 | | |
| 15. | 8.5.3.00955 | CO SNAP RING SB 81 | | |
| 16. | 0.209.7100.00 | CO SPACER | | |
| 17. | 8.6.6.00201 | CO PLUG 3/8 GAS | | |
| 18. | 8.7.1.00748 | CO DOUBLE LIP SEAL 40X80X12 | | |
| 19. | 8.7.3.00055 | CO OIL SEAL 35 X 72 X 10 | | |
| 20. | 0.209.1300.00 | CO COVER | | |
| 21. | A244.501 | CO SHIM 40.3 X 51.5 826-067C | | |
| 22. | 8.5.1.00680 | CO SNAP RING 40 UNI 7436 | | |
| 23. | 0.267.7500.00 | CO SHIM 79.9 | | |
| 24. | A.248.500 | COMER SHIM KIT 71.7 | | |
| 25. | 8.5.2.00131 | CO SNAP RING INT 72 UN17437 | | |
| 26. | 8.4.7.00516 | CO COTTER PIN B5 X 50 | | |
| 27. | 0.209.7101.00 | CO 3/8 GAS OIL LEVEL BREATHER | | |

*

Notes: Oil Type 80-90W Capacity 4.5 Pints

Decal Placement

Applies to RCR1542, RCR1548, RCR1560, RCR1572



UPPER RH & LH SHIELDS
RCR1548 ONLY

Decal Placement**Applies to RCR1542, RCR1548, RCR1560, RCR1572**

| Ref | Part No. | Part Description | Comments | Revision |
|------------|-----------------|--------------------------------|---|-----------------|
| | Dwg 17558 | Drawing Image Number | | |
| 1. | 818-540C | DECAL DANGER GUARD MISS PTO | | |
| 2. | 818-174C | DECAL PTO 1548 & 1560 RC SLIP | | |
| 2. | 818-175C | DECAL PTO 1572 RC SLIP | | |
| 2. | 818-172C | DECAL PTO 1548 & 1560 RC SHEAR | | |
| 2. | 818-173C | DECAL PTO 1572 RC SHEAR | | |
| 3. | 818-552C | DECAL DANGER PTO DRIVELINE | | |
| 4. | 818-543C | DECAL DANGER PD GUARD MISS SML | | |
| 5. | 818-681C | DECAL NOTICE - 20 MPH MAX | | |
| 6. | 818-557C | DECAL DANGER CANNOT READ ENG | Replace items #6 to #12 with #18 | |
| 7. | 818-555C | DECAL DANGER ROTATE BLADE | | |
| 7. | 818-564C | RPBY 818-555C | Obsolete Replace items #6 to #12 with #18 | |
| 8. | 818-560C | DECAL NOTICE TO OWNER-NO WARRA | Replace items #6 to #12 with #18 | |
| 9. | 818-161C | DECAL CAUTION GENERAL RC SAFE | Replace items #6 to #12 with #18 | |
| 10. | 818-555C | DECAL DANGER ROTATE BLADE | Replace items #6 to #12 with #18 | |
| 11. | 818-558C | DECAL WARNING GEN SAFE MOWER | Replace items #6 to #12 with #18 | |
| 11. | 818-554C | RPBY 818-558C | Replace items #6 to #12 with #18 (Obsolete) | |
| 12. | 818-556C | DECAL DANGER THROWN OBJ CUTTER | Replace items #6 to #12 with #18 | |
| 13. | 818-130C | DECAL WARNING 540 RPM | | |
| 14. | N/A | | | |
| 15. | 818-790C | DECAL RCR1560 BLACK | (S/N 253810-) | |
| 15. | 818-791C | DECAL RCR1572 BLACK | (S/N 253810-) | |
| 16. | 818-162C | LP LOGO LARGE GREEN | | |
| 17. | 818-142C | DECAL DANGER PTO DRIVELINE | | |
| 18. | 818-830C | DECAL SAFETY COMBO SUNWEST | (S/N 216890+) S/N 1560524- RCR1548 ONLY | |
| 18. | 844-190C | DECAL SINGLE DECK SAFETY COMBO | S/N 1560525+ RCR1548 ONLY | |
| 19. | 818-901C | RPBY 838-965C | (S/N 253811+) Beige Unit | |
| 19. | 838-965C | DECAL LANDPRIDE 16" BROWN/GOLD | Green, Orange, Red & Blue Unit | |
| 20. | 818-924C | DECAL RCR1560-BROWN | (S/N 253811+) | |
| 20. | 818-925C | DECAL RCR1572-BROWN | (S/N 253811+) | |
| 20. | 838-087C | DECAL RCR1548-GOLD | | |
| 20. | 838-904C | RPBY 838-087C | Obsolete | |
| 20. | 838-165C | DECAL RCR1542-GOLD | | |
| 20. | 838-903C | RPBY 838-165C | Obsolete | |
| 21. | 838-517C | DECAL QUICK HITCH SYSTEM | | |
| 22. | 818-862C | DECAL 5 YEAR GEARBOX WARRANTY | | |
| 23. | 858-095C | DECAL REFLECTOR RED 2X4.5 | S/N 819231+ | |
| 24. | 858-148C | DECAL PIC--PINCH POINT | S/N 1341733+ RCR1548 ONLY | |

Touch-up Paints - LP

Applies to RCR1542, RCR1548, RCR1560, RCR1572

No diagram associated with this Parts List

Touch-up Paints - LP**Applies to RCR1542, RCR1548, RCR1560, RCR1572**

| Ref | Part No. | Part Description | Comments | Revision |
|------------|-----------------|-------------------------------|----------------------------|-----------------|
| 1. | 821-011C | LP BEIGE SPRAY CAN | Spray can | |
| 1. | 821-011CTU | LP BEIGE TOUCH-UP 5OZ | Touch-up bottle with brush | |
| 1. | 821-011CQT | LP BEIGE QUART | Quart can | |
| 1. | 821-011CGL | LP BEIGE GALLON | Gallon can | |
| 2. | 821-070C | GLOSS BLACK SPRAY CAN | Spray can | |
| 2. | 821-070CTU | GLOSS BLACK TOUCH-UP 5OZ | Touch-up bottle with brush | |
| 2. | 821-070CQT | GLOSS BLACK QUART | Quart can | |
| 2. | 821-070CGL | GLOSS BLACK GALLON | Gallon can | |
| 3. | 821-054C | MED. RED SPRAY TRCK/CTR | Spray can | |
| 3. | 821-054CTU | MED RED TOUCH-UP 5OZ | Touch-up bottle with brush | |
| 3. | 821-054CQT | MED RED QUART | Quart can | |
| 3. | 821-054CGL | MED RED GALLON | Gallon can | |
| 4. | 821-058C | GREEN SPRAY CUTTERS | Spray can | |
| 4. | 821-058CTU | GREEN TOUCH-UP 5OZ | Touch-up bottle with brush | |
| 4. | 821-058CQT | GREEN QUART | Quart can | |
| 4. | 821-058CGL | GREEN GALLON | Gallon can | |
| 5. | 821-066C | ORANGE SPRAY CAN | Spray can | |
| 5. | 821-066CTU | ORANGE TOUCH-UP 5OZ | Touch-up bottle with brush | |
| 5. | 821-066CQT | ORANGE QUART | Quart can | |
| 5. | 821-066CGL | ORANGE GALLON | Gallon can | |
| 6. | 821-067C | BLUE SPRAY CAN | Spray can | |
| 6. | 821-067CTU | BLUE TOUCH-UP 5OZ | Touch-up bottle with brush | |
| 6. | 821-067CQT | BLUE QUART | Quart can | |
| 6. | 821-067CGL | BLUE GALLON | Gallon can | |
| 7. | 821-080C | PAINT ALUMINUM/ZINC SPRAY CAN | Spray can | |
| 7. | 821-080CTU | PAINT ALUMINUM/ZINC TOUCH UP | Touch-up bottle with brush | |
| 7. | 821-080CQT | PAINT ALUMINUM/ZINC QUART | Quart can | |
| 7. | 821-080CGL | PAINT ALUMINUM/ZINC GALLON | Gallon can | |



Part Number Index

The Part Number Index is a numeric index of all part numbers included in this manual. The index shows what page(s) the part is used on.

| Part Number | Page | Part Number | Page | Part Number | Page | Part Number | Page |
|-----------------|--------------------|---------------|--------------------|-------------|------------------|-------------|----------------|
| 0.135.5000.00 | 59 | 1704014 | 51 | 312-593K | 29 | 326-039A | 9 |
| 0.135.6008.00 | 59 | 1704015 | 51 | 312-594K | 29 | 326-040A | 9 |
| 0.135.7105.00 | 59 | 1704027 | 35, 37, 41, 43 | 312-609D85 | 23 | 326-062D | 23 |
| 0.209.0300.00 | 59 | 1704029 | 35, 37, 41, 43 | 312-610D | 23 | 326-062D81 | 23 |
| 0.209.1300.00 | 59 | 1705009 | 51 | 312-651A | 31 | 326-062D82 | 23 |
| 0.209.2000.00 | 59 | 1784210 | 33, 35, 37, 41, 43 | 312-652A | 31 | 326-062D83 | 23 |
| 0.209.7100.00 | 59 | 1784211 | 33, 35, 37, 41, 43 | 312-659H | 19, 24 | 326-062D84 | 23 |
| 0.209.7101.00 | 59 | 1784212 | 33, 35, 37, 41, 43 | 312-659H81 | 19, 24 | 326-062D85 | 23 |
| 0.267.7500.00 | 59 | 180.014.022 | 47 | 312-659H82 | 19, 24 | 326-075D | 23 |
| 001S1 | 27 | 180.014.130 | 47, 49 | 312-659H83 | 19, 24 | 326-075D81 | 23 |
| 010001 | 55, 57 | 180.015.019 | 47 | 312-659H84 | 19, 24 | 326-075D82 | 23 |
| 020002 | 57 | 180.015.020 | 47 | 312-660H | 24 | 326-075D83 | 23 |
| 020003 | 55, 57 | 180.015.021.1 | 47 | 312-666H | 19, 24 | 326-075D84 | 23 |
| 020161 | 55 | 1805010 | 51 | 312-666H81 | 19, 24 | 326-075D85 | 23 |
| 020614 | 39, 45 | 185836 | 53 | 312-666H82 | 19, 24 | 326-095S | 19 |
| 030002 | 55 | 1872054 | 35, 41 | 312-666H83 | 19, 24 | 326-164H | 13 |
| 030003 | 55 | 1872056 | 33 | 312-666H84 | 19, 24 | 326-185A | 15 |
| 030036 | 57 | 1872074 | 37, 43 | 312-672A | 31 | 326-268H | 19, 23 |
| 030037 | 57 | 1873054 | 35, 41 | 312-673A | 31 | 326-386H | 15 |
| 040040 | 55, 57 | 1873056 | 33 | 312-674A | 31 | 326-401A | 15 |
| 041315 | 39, 45 | 1873074 | 37, 43 | 312-675A | 31 | 326-402A | 15 |
| 041318 | 39, 45 | 1884201 | 33, 35, 37, 41, 43 | 312-680H | 7 | 326-668H | 27 |
| 041378 | 39, 45 | 1884202 | 33, 35, 37, 41, 43 | 312-711H | 24 | 326-893D | 23 |
| 043487 | 53 | 1884203 | 33, 35, 37, 41, 43 | 312-726H | 24 | 326-893D81 | 23 |
| 043489 | 53 | 1884204 | 41, 43 | 312-770D | 31 | 326-893D82 | 23 |
| 044321 | 37, 39, 45, 47 | 190.000.098 | 47, 49 | 312-772D | 31 | 326-893D83 | 23 |
| 044444 | 39, 45 | 190.000.099 | 47, 49 | 312-808D | 7, 9, 11, 13, 15 | 326-893D84 | 23 |
| 049647 | 39, 45 | 1944058N | 33 | 312-815H | 9, 11 | 326-893D85 | 23 |
| 049665 | 39, 45 | 1954060N | 33 | 312-848D | 23 | 327-143S | 19 |
| 050006 | 55, 57 | 200000 | 55, 57 | 312-848D81 | 23 | 327-182S | 19 |
| 050007 | 55, 57 | 200001 | 55, 57 | 312-848D82 | 23 | 327-183H | 19, 23 |
| 060060 | 55, 57 | 200040 | 55, 57 | 312-848D83 | 23 | 327-398D | 31 |
| 060061 | 55, 57 | 312-008S | 27 | 312-848D84 | 23 | 327-399D | 31 |
| 070131 | 55, 57 | 312-020D | 27 | 312-848D85 | 23 | 327-437D | 19 |
| 070132 | 55, 57 | 312-021D | 27 | 312-849D | 23 | 327-455D | 19 |
| 070133 | 55, 57 | 312-023A | 17, 24, 49 | 312-850D | 19, 23 | 327-455D81 | 19 |
| 070134 | 55, 57 | 312-024A | 17, 24, 47 | 312-851D | 19, 23 | 327-455D82 | 19 |
| 070135 | 55, 57 | 312-025A | 24 | 312-863D | 29 | 327-455D83 | 19 |
| 070136 | 55, 57 | 312-026A | 24 | 312-864D | 29 | 327-455D84 | 19 |
| 084099 | 33, 35, 37, 41, 43 | 312-075D | 7, 9, 11, 13, 15 | 312-865D | 29 | 327-458D | 19 |
| 087279 | 39, 45 | 312-082D | 7, 9, 11, 13, 15 | 312-879D | 23 | 327-458D81 | 19 |
| 09-014 | 27 | 312-089D | 7, 9, 11, 13, 15 | 312-883D | 29 | 327-458D82 | 19 |
| 090000 | 55, 57 | 312-550A | 31 | 312-884D | 29 | 327-458D83 | 19 |
| 1.135.7100.00 | 59 | 312-551A | 29 | 312-885D | 29 | 327-458D84 | 19 |
| 1004020 | 33, 35, 37, 41, 43 | 312-552A | 29 | 312-886D | 24 | 327-461D | 19 |
| 1004225 | 35, 37, 41, 43 | 312-553A | 27 | 312-889D | 29 | 327-461D81 | 19 |
| 1004227 | 33 | 312-554A | 27 | 312-890D | 29 | 327-461D82 | 19 |
| 1006065 | 41, 43 | 312-558H | 24 | 312-891D | 29 | 327-461D83 | 19 |
| 1014012 | 33, 35, 37, 41, 43 | 312-559H | 24 | 312-948D | 31 | 327-461D84 | 19 |
| 1024010 | 33 | 312-561H | 27 | 312-949D | 31 | 327-763D | 20 |
| 1074033 | 33, 35, 37 | 312-562H | 29 | 312-950D | 31 | 327-764D | 20 |
| 1135007 | 51 | 312-563H | 31 | 312-952D | 31 | 339107 | 39, 45 |
| 1135008 | 51 | 312-564K | 29 | 312-953D | 31 | 365305 | 39, 45 |
| 1213233 | 33 | 312-565K | 29 | 312-983D | 31 | 377235 | 39, 45 |
| 1215012 | 51 | 312-566K | 29 | 312-984D | 31 | 38-11 | 24 |
| 1344014 | 41, 43, 51 | 312-567K | 29 | 312-993D | 31 | 381495 | 53 |
| 140017 | 55, 57 | 312-571K | 31 | 312-994D | 31 | 381957 | 53 |
| 140033 | 55, 57 | 312-573H | 24 | 312-998D | 23 | 383174 | 53 |
| 141.024.430.1 | 47, 49 | 312-574A | 31 | 312-998D81 | 23 | 384264 | 45, 53 |
| 142.240.4497421 | 47 | 312-575A | 29 | 312-998D82 | 23 | 384267 | 53 |
| 151.014.232.1 | 47 | 312-576A | 29 | 312-998D83 | 23 | 387066 | 39, 45 |
| 151.014.542.1 | 47 | 312-582H | 29 | 312-998D84 | 23 | 387067 | 39, 45 |
| 1524062 | 35, 41 | 312-583H | 31 | 312-998D85 | 23 | 44321 | 33, 35 |
| 1524082 | 37, 43 | 312-584H | 29 | 317806 | 39 | 6330865 | 35, 37, 41, 43 |
| 1525062 | 35, 41 | 312-585H | 31 | 318-107D | 29 | 6691080 | 51 |
| 1525082 | 37, 43 | 312-586K | 31 | 318-108D | 29 | 8.1.1.00501 | 59 |
| 1581038 | 33 | 312-587K | 31 | 318-142D | 29 | 8.2.2.00515 | 59 |
| 165.000.501 | 47 | 312-589K | 29 | 318-586A | 9, 13 | 8.3.2.00409 | 59 |
| 165.000.628 | 47, 49 | 312-590K | 29 | 326-037A | 11, 13 | 8.4.1.00993 | 59 |
| 168556 | 53 | 312-592K | 29 | 326-038A | 11, 13 | 8.4.7.00516 | 59 |

Table of Contents Part Number Index



Part Number Index (continued)

| Part Number | Page | Part Number | Page | Part Number | Page |
|--------------------|--------------------|--------------------|--------------------------------|--------------------|--------------------|
| 8.5.1.00680 | 59 | 8123.440.695.11 | 49 | 821-067CTU | 63 |
| 8.5.2.00030 | 59 | 814-058C | 27 | 821-070C | 63 |
| 8.5.2.00131 | 59 | 814-065C | 27 | 821-070CGL | 63 |
| 8.5.3.00955 | 59 | 8141.024.538.1 | 49 | 821-070CQT | 63 |
| 8.6.6.00201 | 59 | 81422404497421 | 47 | 821-070CTU | 63 |
| 8.7.0.00744 | 59 | 81422404847421 | 49 | 821-080C | 63 |
| 8.7.1.00748 | 59 | 8146.241.040.1 | 47 | 821-080CGL | 63 |
| 8.7.3.00055 | 59 | 816-276C | 31 | 821-080CQT | 63 |
| 800-001C | 27 | 816-281C | 31 | 821-080CTU | 63 |
| 800-079C | 17, 23, 35, 37 | 816-309C | 31 | 822-166C | 55, 57, 59 |
| 800-080C | 27 | 816-310C | 31 | 822-188C | 59 |
| 800-320C | 24 | 816-321C | 31 | 826-018C | 23, 55 |
| 802-010C | 19 | 816-322C | 31 | 826-019C | 24, 33, 35 |
| 802-012C | 19 | 816-339C | 31 | 826-020C | 24, 37, 39 |
| 802-015C | 29, 31 | 816-340C | 31 | 826-021C | 24, 41 |
| 802-017C | 55, 57 | 816-504C | 19, 24 | 826-022C | 24, 43, 45 |
| 802-034C | 27 | 818-130C | 61 | 826-026C | 23, 57 |
| 802-053C | 17, 19 | 818-142C | 61 | 826-240C | 17, 23 |
| 802-055C | 17, 23, 24 | 818-161C | 61 | 826-383C | 17, 23, 59 |
| 802-062C | 23 | 818-162C | 61 | 826-553C | 33, 35, 37, 41, 43 |
| 802-068C | 19 | 818-172C | 61 | 826-554C | 39, 45 |
| 802-138C | 19 | 818-173C | 61 | 826-658C | 24, 47 |
| 802-155C | 19, 23, 31 | 818-174C | 61 | 826-659C | 24, 49 |
| 802-224C | 19, 24 | 818-175C | 61 | 837-062C | 19 |
| 802-262C | 27 | 818-540C | 33, 35, 37, 39, 41, 43, 45, 61 | 837-063C | 19 |
| 802-264C | 17, 24, 35, 37, 49 | 818-543C | 61 | 837-101C | 17, 23 |
| 802-265C | 17, 24, 41, 43, 47 | 818-552C | 33, 35, 37, 39, 41, 43, 45, 61 | 838-087C | 61 |
| 802-277C | 9, 11, 13 | 818-554C | 61 | 838-165C | 61 |
| 802-314C | 17, 23 | 818-555C | 61 | 838-517C | 61 |
| 802-453C | 31 | 818-556C | 61 | 838-903C | 61 |
| 802-647C | 31 | 818-557C | 61 | 838-904C | 61 |
| 802-920C | 7, 15 | 818-558C | 61 | 838-965C | 61 |
| 803-020C | 27, 35, 37, 41, 43 | 818-560C | 61 | 840-273C | 20, 24 |
| 803-021C | 27 | 818-564C | 61 | 842-243C | 17 |
| 803-036C | 35, 37, 41, 43 | 818-681C | 61 | 844-190C | 61 |
| 803-095C | 55, 57 | 818-790C | 61 | 858-095C | 61 |
| 803-147C | 17, 24, 47, 49 | 818-791C | 61 | 858-148C | 61 |
| 803-148C | 17, 24 | 818-830C | 61 | 890-400C | 29 |
| 803-170C | 7, 9, 11, 13, 15 | 818-862C | 61 | 890-485C | 29 |
| 803-177C | 19 | 818-901C | 61 | A.248.500 | 59 |
| 803-181C | 19 | 818-924C | 61 | A244.501 | 59 |
| 803-198C | 19, 23, 29, 31 | 818-925C | 61 | Dwg 13206 | 35 |
| 803-231C | 24 | 8180.014.232 | 47, 49 | Dwg 15054 | 41 |
| 803-255C | 19, 24 | 8180.014.233 | 47, 49 | Dwg 16338 | 23 |
| 803-263C | 17, 19, 23, 24 | 8180.014.240 | 47, 49 | Dwg 17558 | 61 |
| 803-271C | 23 | 820-065C | 11, 13, 15 | Dwg 22194 | 33 |
| 804-007C | 19, 24 | 820-198C | 9 | Dwg 30201 | 47 |
| 804-009C | 17, 23 | 820-199C | 9 | Dwg 30202 | 49 |
| 804-010C | 17, 19, 23 | 820-212C | 9 | Dwg 30268 | 11 |
| 804-012C | 24 | 820-229C | 7, 11, 13, 15 | Dwg 30269 | 13 |
| 804-013C | 24, 55, 57 | 821-011C | 63 | Dwg 30270rcr | 9 |
| 804-015C | 27 | 821-011CGL | 63 | Dwg 30335 | 15 |
| 804-022C | 27 | 821-011CQT | 63 | Dwg 37977 | 19 |
| 804-036C | 19 | 821-011CTU | 63 | Dwg 37978 | 7 |
| 804-062C | 27 | 821-054C | 63 | Dwg 37980 | 17 |
| 804-070C | 55, 57 | 821-054CGL | 63 | dwg10422 | 53 |
| 804-134C | 19 | 821-054CQT | 63 | N/A | 61 |
| 804-147C | 7, 9, 11, 13, 15 | 821-058C | 63 | | |
| 804-212C | 7, 15 | 821-058CGL | 63 | | |
| 805-017C | 55, 57 | 821-058CQT | 63 | | |
| 805-103C | 24 | 821-058CTU | 63 | | |
| 805-111C | 19, 24 | 821-066C | 63 | | |
| 805-142C | 23 | 821-066CGL | 63 | | |
| 805-143C | 19, 23 | 821-066CQT | 63 | | |
| 805-177C | 27 | 821-066CTU | 63 | | |
| 805-228C | 19 | 821-067C | 63 | | |
| 807-350C | 19 | 821-067CGL | 63 | | |
| 812-500C | 19 | 821-067CQT | 63 | | |
| 8123.340.142.11 | 47 | | | | |
| 8123.340.348.11 | 49 | | | | |
| 8123.440.639.11 | 47 | | | | |



Great Plains Manufacturing, Inc.

Corporate Office: P.O. Box 5060
Salina, Kansas 67402-5060 USA

www.landpride.com
