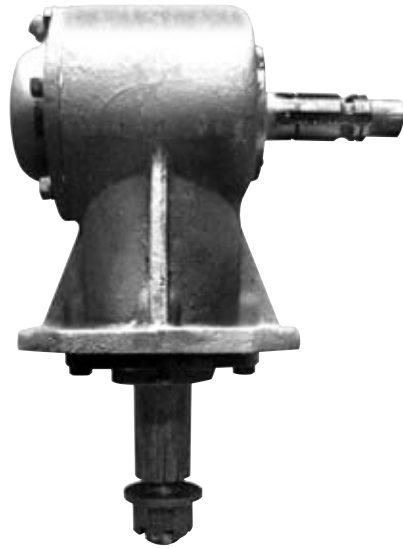


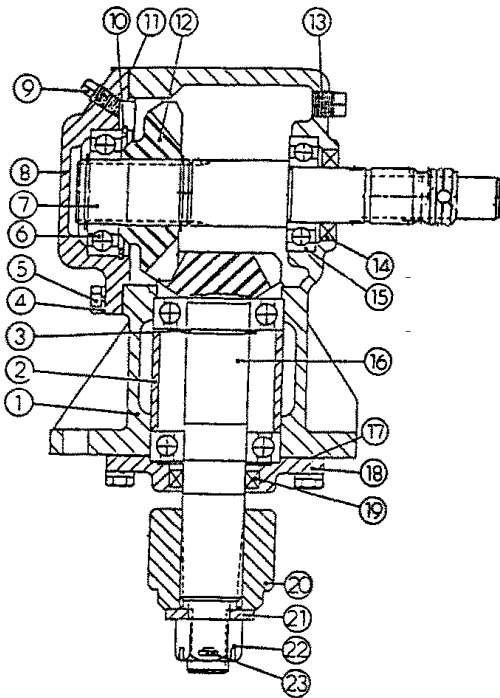


PART NO. 12-300

Ratio: 1:1.47
Input: 1 3/8" 6 B spline
Output: 12 spline
Rotation: Reverse
Weight: 50.4 lbs.
Mounting: 4 bolt, 6 3/4" diameter bolt circle



PARTS BREAKDOWN FOR 12-300

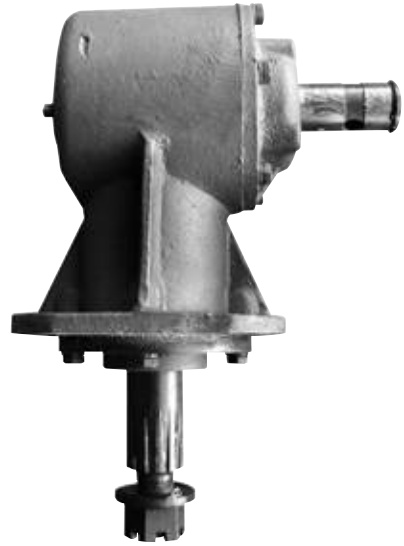


<u>Item</u>	<u>Part No.</u>	<u>Qty</u>	<u>Description</u>
1.....	12-30001	1.....	Housing.....
2.....	501-0024	1.....	Spacer.....
3.....	501-0021	3.....	Retaining Ring.....
4.....	501-0017	10.....	Lockwasher.....
5.....	501-0018	10.....	Cap Screw.....
6.....	501-0025	3.....	Bearing.....
7.....	12-30003	1.....	Input Shaft.....
8.....	12-30002	1.....	Blank Cap/Rear Housing.
9.....	501-0254	1.....	Plug 1/8" NPT.....
10.....	501-0015	1.....	Retaining Ring.....
11.....	501-0016	Var.....	Gasket.....
12.....	501-0014	1.....	Input Gear 22T.....
13.....	501-0030	1.....	Plug.....
14.....	501-0020	1.....	Seal.....
15.....	501-0011	1.....	Bearing.....
16.....	501-0022	1.....	Output Shaft, 12 Spline...
17.....	501-0026	Var.....	Gasket.....
18.....	501-0028	1.....	Output Cap.....
19.....	322-1267	1.....	Seal.....
20.....	401-7559	1.....	Hub (for reference only)...
21.....	401-7471	1.....	Flatwasher.....
22.....	401-7263	1.....	Hex Nut 1" Castl.....
23.....	501-0708	1.....	Cotter Pin.....

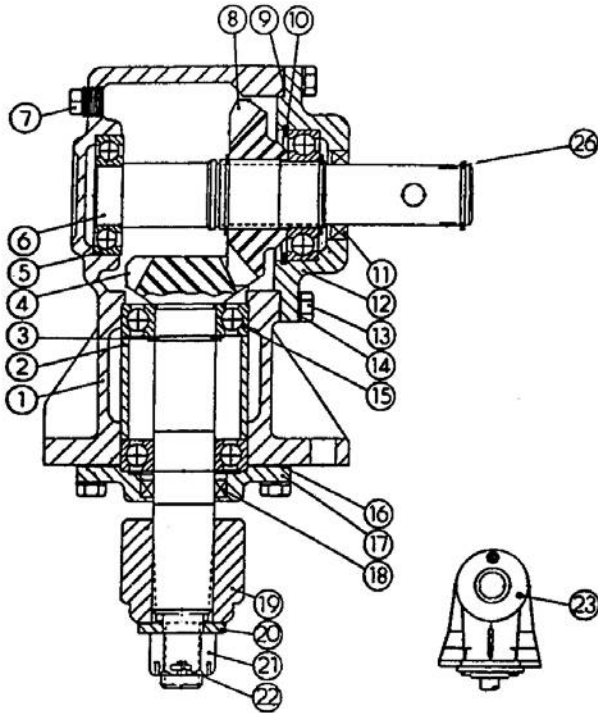


PART NO. 401-0007

Ratio: 1:1.47
Input: 1 3/8" smooth, 1/2" shear pin
Output: 12 spline
Rotation: ---
Weight: 50.54 lbs.
Mounting: ---



**PARTS BREAKDOWN
FOR 401-0007**



Item	Part No.	Qty	Description
1.....	501-0023.....	1	Housing.....
2.....	501-0024.....	1	Spacer.....
3.....	501-0021.....	3	Snap Ring.....
4.....	501-0022.....	1	Output Shaft, 12 Spline .
5.....	501-0011.....	1	Bearing
6.....	501-0012.....	1	Input Shaft
7.....	501-0030.....	1	Plug.....
8.....	501-0014.....	1	Input Gear 22T.....
9.....	501-0016.....	Var	Gasket.....
10.....	501-0015.....	1	Snap Ring.....
11.....	501-0020.....	1	Seal.....
12.....	501-0019.....	1	Input Cap
13.....	501-0018.....	10.....	Cap Screw
14.....	501-0017.....	10.....	Lockwasher.....
15.....	501-0025.....	3	Bearing
16.....	501-0026.....	Var.....	Gasket.....
17.....	501-0028.....	1	Output Cap
18.....	322-1267.....	1	Seal.....
19.....	401-7559.....	1	Hub (for reference only).
20.....	401-7471.....	1	Flatwasher
21.....	401-7263.....	1	Hex Nut 1" Castl.
22.....	900-8951.....	1	Cotter Pin.....
23.....	501-0254.....	1	Plug 1/8" NPT.....
24.....	412-7978.....	1	Retaining Ring

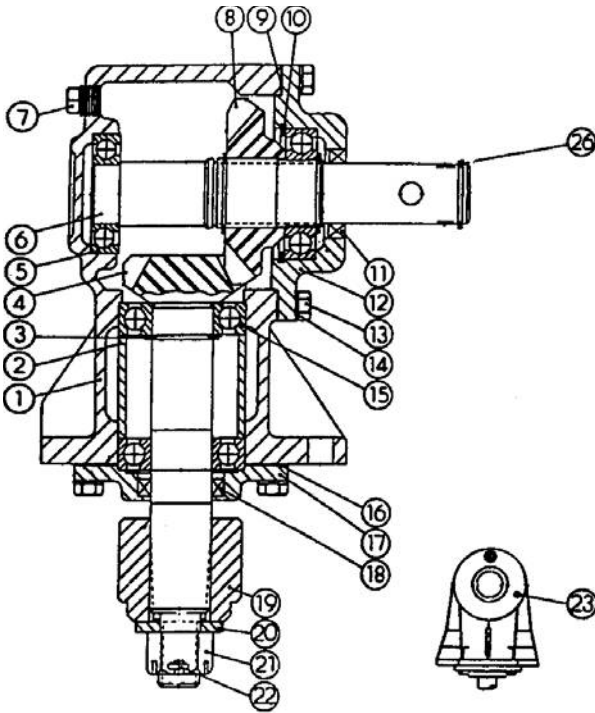


PART NO. 401-0007-01

Ratio: 1:1.93
Input: 1 3/8" smooth, 1/2" shear pin
Output: 12 spline
Rotation: ---
Weight: 50.54 lbs.
Mounting: 4 bolt, 6 3/4" bolt circle



PARTS BREAKDOWN FOR 401-0007-01



<u>Item</u>	<u>Part No.</u>	<u>Qty</u>	<u>Description</u>
1.....	501-0023.....	1.....	Housing
2.....	501-0024.....	1.....	Spacer
3.....	501-0021.....	3.....	Snap Ring
4.....	900-1493.....	1.....	Output Shaft, 12 Spline.....
5.....	501-0011.....	1.....	Bearing
6.....	501-0012.....	1.....	Input Shaft.....
7.....	501-0030.....	1.....	Plug
8.....	900-1489.....	1.....	Input Gear 29T
9.....	501-0016.....	Var	Gasket
10.....	501-0015.....	1.....	Snap Ring
11.....	501-0020.....	1.....	Seal
12.....	501-0019.....	1.....	Input Cap.....
13.....	501-0018.....	10.....	Cap Screw.....
14.....	501-0017.....	10.....	Lockwasher
15.....	501-0025.....	3.....	Bearing
16.....	501-0026.....	Var	Gasket
17.....	501-0028.....	1.....	Output Cap.....
18.....	322-1267.....	1.....	Seal
19.....	401-7559.....	1.....	Hub (for reference only)
20.....	401-7471.....	1.....	Flatwasher.....
21.....	401-7263.....	1.....	Hex Nut 1" Castl.....
22.....	501-0708.....	1.....	Cotter Pin
23.....	501-0254.....	1.....	Plug 1/8 NPT.....

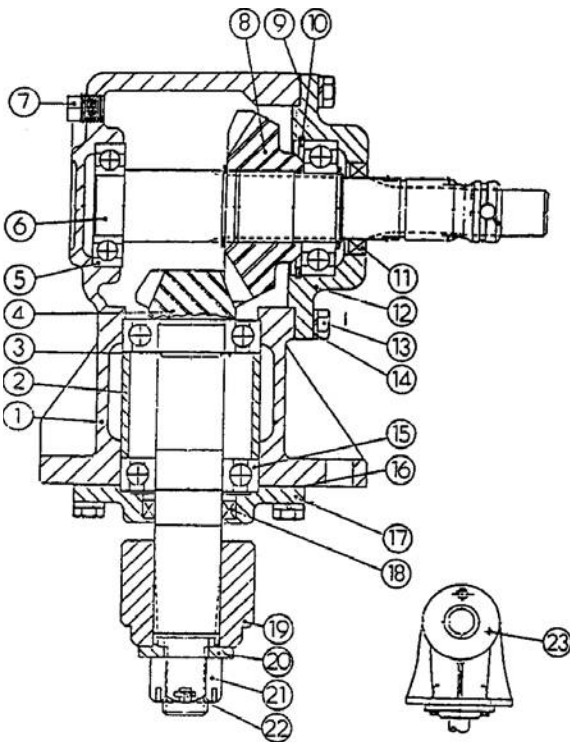


PART NO. 401-0171

Ratio: 1:1.47
Input: 1 3/8" 6 spline
Output: 12 spline
Rotation: ---
Weight: 50.52 lbs
Mounting: 4 bolt, 6 3/4" bolt circle



PARTS BREAKDOWN FOR 401-0171

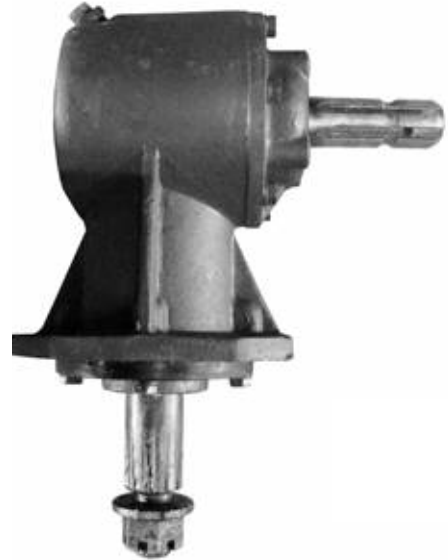


<u>Item</u>	<u>Part No.</u>	<u>Qty</u>	<u>Description</u>
1.....	501-0023.....	1	Housing.....
2.....	501-0024.....	1	Spacer.....
3.....	501-0021.....	3	Snap Ring.....
4.....	501-0022.....	1	Output Shaft, 12 Spline..
5.....	501-0011	1	Bearing.....
6.....	501-0036.....	1	Input Shaft.....
7.....	501-0030.....	1	Plug.....
8.....	501-0014.....	1	Input Gear 22T.....
9.....	501-0016.....	Var	Gasket.....
10.....	501-0015.....	1	Retaining Ring
11.....	501-0020.....	1	Seal.....
12.....	501-0019.....	1	Input Cap
13.....	501-0018.....	10	Cap Screw
14.....	501-0017.....	10	Lockwasher.....
15.....	501-0025.....	3	Bearing.....
16.....	501-0026.....	Var	Gasket.....
17.....	501-0028.....	1	Output Cap.....
18.....	322-1267.....	1	Seal.....
19.....	401-7559.....	1	Hub (for reference only).
20.....	401-7471.....	1	Flatwasher
21.....	401-7263.....	1	Hex Nut 1" Castl.
22.....	501-0708	1	Cotter Pin.....
23.....	501-0254.....	1	Plug.....

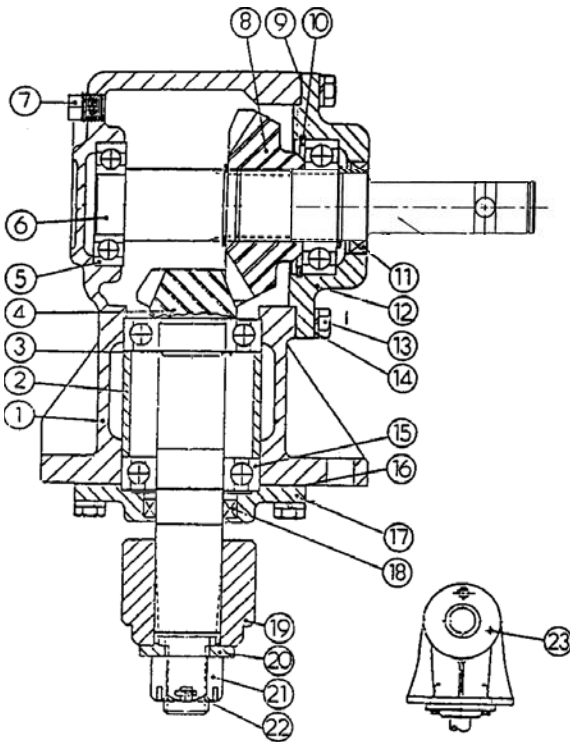


PART NO. 401-0171-01

Ratio: 1:1:47
Input: 1 3/8" 6 spline
Output: 12 spline
Rotation: ---
Weight: 50.52 lbs
Mounting: 4 bolt, 6 3/4" bolt circle



PARTS BREAKDOWN FOR 401-0171-01

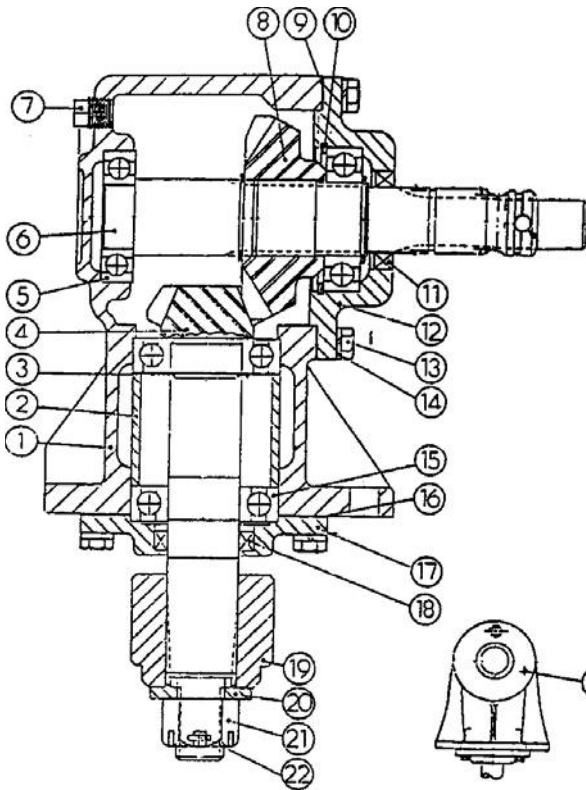


<u>Item</u>	<u>Part No.</u>	<u>Qty</u>	<u>Description</u>
1.....	501-0023.....	1	Housing.....
2.....	501-0024.....	1	Spacer.....
3.....	501-0021.....	3	Snap Ring.....
4.....	501-0022.....	1	Output Shaft, 12 Spline..
5.....	501-0011.....	1	Bearing.....
6.....	501-0036.....	1	Input Shaft.....
7.....	501-0030.....	1	Plug.....
8.....	501-0014.....	1	Input Gear 22T.....
9.....	501-0016.....	Var	Gasket.....
10.....	501-0015.....	1	Retaining Ring
11.....	501-0020.....	1	Seal.....
12.....	501-0019.....	1	Input Cap
13.....	501-0018.....	10	Cap Screw
14.....	501-0017.....	10	Lockwasher.....
15.....	501-0025.....	3	Bearing.....
16.....	501-0026.....	Var	Gasket.....
17.....	501-0028.....	1	Output Cap.....
18.....	322-1267.....	1	Seal.....
19.....	401-7559.....	1	Hub (for reference only).
20.....	401-7471.....	1	Flatwasher
21.....	401-7263.....	1	Hex Nut 1" Castl.
22.....	501-0708.....	1	Cotter Pin.....
23.....	501-0254.....	1	Plug 1/8" NPT.....



PART NO. 401-0173

Ratio: 1:1.93
Input: 1 3/8" 6 B spline
Output: 12 spline
Rotation: ---
Weight: 50.54 lbs.
Mounting: 4 bolt, 6 3/4" bolt circle



PARTS BREAKDOWN FOR 401-0173

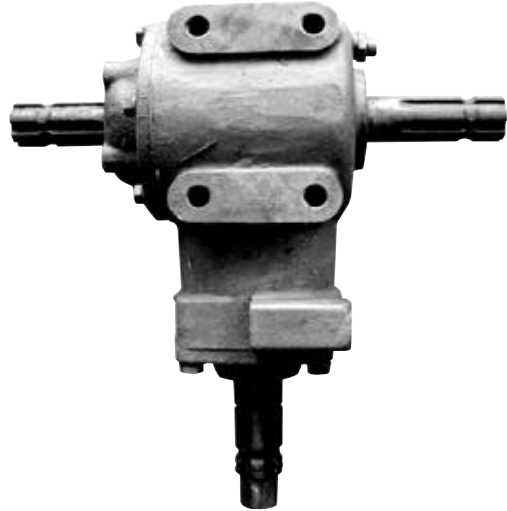
<u>Item</u>	<u>Part No.</u>	<u>Qty</u>	<u>Description</u>
1.....	501-0023.....	1	Housing
2.....	501-0024.....	1	Spacer
3.....	501-0021.....	3	Retaining Ring.....
4.....	900-1493.....	1	Output Shaft, 12 Spline
5.....	501-0011.....	1	Bearing
6.....	501-0036.....	1	Input Shaft.....
7.....	501-0030.....	1	Plug
8.....	900-1489.....	1	Input Gear 29T
9.....	501-0016.....	Var.....	Gasket
10.....	501-0015.....	1	Retaining Ring.....
11.....	501-0020.....	1	Seal
12.....	501-0019.....	1	Input Cap.....
13.....	501-0018.....	10	Cap Screw.....
14.....	501-0017.....	10	Lockwasher
15.....	501-0025.....	3	Bearing
16.....	501-0026.....	Var.....	Gasket.....
17.....	501-0028.....	1	Output Cap
18.....	322-1267.....	1	Seal
19.....	401-7559.....	1	Hub (for reference only)
20.....	401-7471.....	1	Flatwasher.....
21.....	401-7263.....	1	Hex Nut 1" Castl.....
22.....	501-0708.....	1	Cotter Pin
23.....	501-0254.....	1	Plug



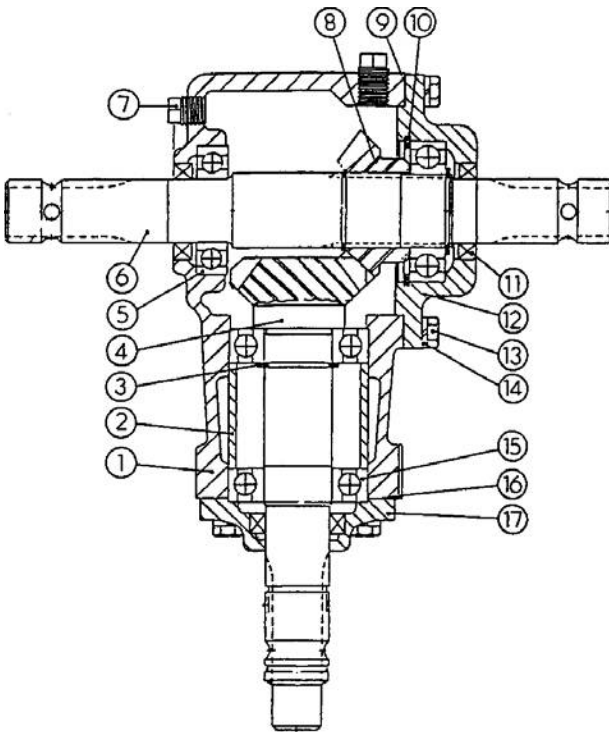
PART NO. 900-070102

COMPLETE GEARBOX NOT AVAILABLE.
ONLY PARTS ARE AVAILABLE.

Ratio: 1.07:1
Input: 1 3/8" 6 B spline
Output: 1 3/8" 6 A spline
Rotation: ---
Weight: 43.2 lbs.
Mounting: 4 bolt, 2 3/4" x 4 7/16" pattern



PARTS BREAKDOWN FOR 900-070102

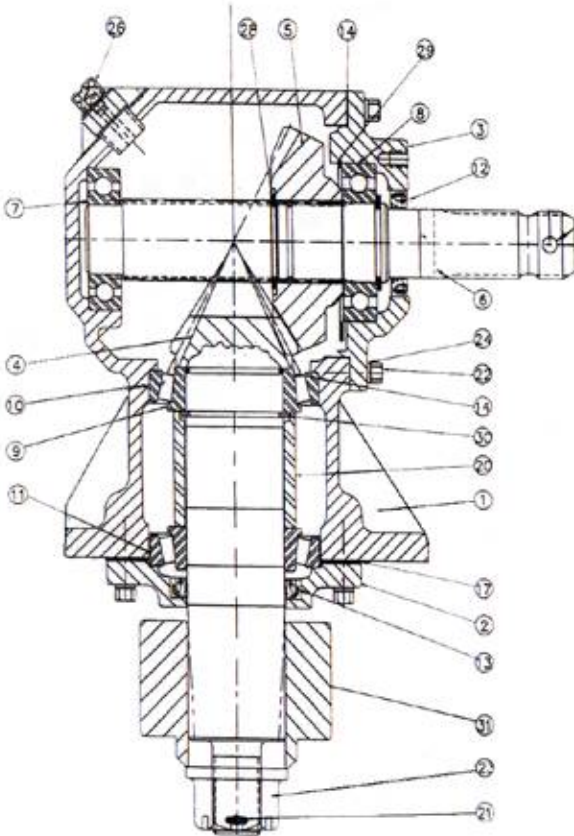


Item	Part No.	Qty	Description
1	900-070512	1	Housing
2	501-0024	1	Spacer
3	501-0021	3	Retaining Ring
4	900-070513	1	Input Shaft 15T
5	501-0011	1	Bearing
6	900-070516	1	Output Shaft
7	501-0030	2	Plug
8	900-070515	1	Output Gear 16T
9	501-0016	Var	Gasket
10	501-0015	1	Retaining Ring
11	501-0020	3	Seal
12	501-0019	1	Output Cap
13	501-0018	10	Cap Screw
14	501-0017	10	Lockwasher
15	501-0025	3	Bearing
16	501-0026	Var	Gasket
17	900-070511	1	Bearing Retainer
18	501-0254	1	Plug



PART NO. 401-0173-03 & 401-0171-02

Ratio: 401-0173-03=1:1.93 401-0171-02= 1:1.47
Input: 1 3/8" 6 A spline
Output: 15 spline
Rotation: ---
Weight: 58.50 lbs.
Mounting: 4 bolt, 6 3/4" bolt circle



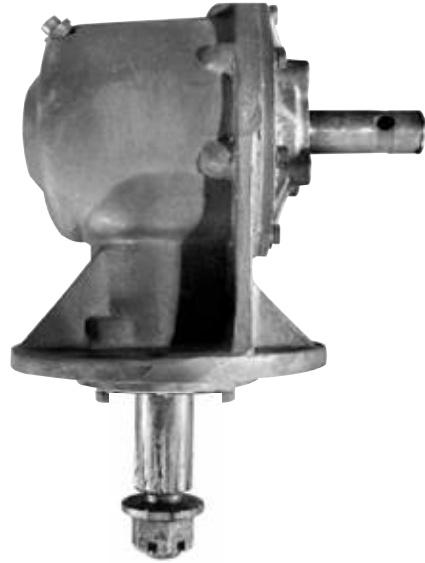
Item Part No. Qty Description

	401-0173-03.....1.....		Gearbox Complete, 5'
	401-0171-02.....1.....		Gearbox Complete, 6'
1	501-0997.....1.....		Housing
2	501-0998.....1.....		Output Cap
3	501-0999.....1.....		Input Cap
4	501-1006.....1.....		Input Gear 29T, 5'.....
4	501-1000.....1.....		Input Gear 22T, 6'.....
5	501-1005.....1.....		Output Shaft 15T, 5' ...
5	501-1001.....1.....		Output Shaft 15T, 6' ...
6	501-1002.....1.....		Input Shaft 1 3/8"-6A..
7	501-0011.....1.....		Ball Bearing
8	501-0025.....1.....		Ball Bearing
9	501-0235.....2.....		Bearing Cone
10	501-0274.....1.....		Bearing Cup
11	501-0277.....1.....		Bearing Cup
12	501-0020.....1.....		Input Seal
13	501-0232.....1.....		Output Seal
14	501-0016.....Var		Gasket
17	501-1003.....Var		Gasket
20	501-1004.....1.....		Spacer
21	501-0708.....1.....		Cotter Pin
22	501-0018.....10		Bolts 3/8" x 1"
23	501-0266.....1.....		Flange Nut.....
24	501-0017.....10		Lockwashers
25	501-0254.....1.....		Plug 1/8" NPT.....
26	501-0757.....1.....		Pressure Relief Plug ..
28	501-0021.....2.....		Retaing Ring.....
29	501-0015.....1.....		Retaing Ring.....
30	501-0245.....1.....		Retaing Ring.....
31	401-5160.....1.....		Hub (Reference Only)

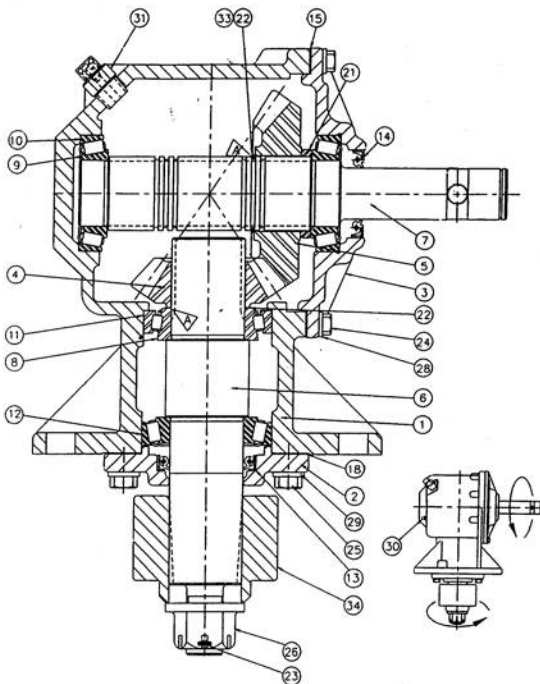


PART NO. 401-0169

Ratio: 1:1.46
Input: 1 3/8" smooth, 1/2" smooth
Output: 15 spline
Rotation: standard
Weight: 84.0 lbs.
Mounting: 4 bolt, 8" bolt circle



PARTS BREAKDOWN FOR 401-0169

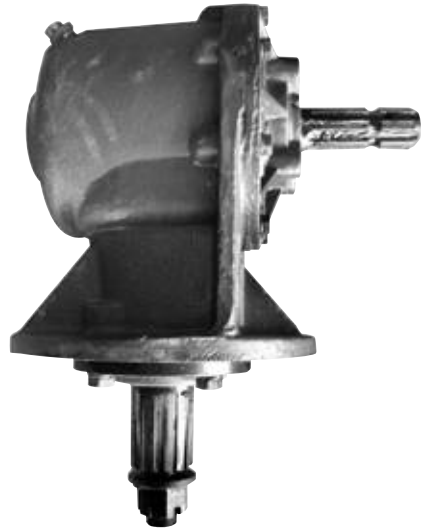


Item	Part No.	Qty	Description
1	501-0269	1	Housing
2	501-0233	1	Output Cap
3	501-0915	1	Input Cap
4	501-0276-A	1	Output Gear 13T
5	501-0276	1	Input Gear 19T
6	501-0270	1	Output Shaft
7	501-0264	1	Input Shaft
8	501-0235	2	Bearing Cone
9	501-0240	2	Bearing Cone
10	501-0239	2	Bearing Cup
11	501-0274	1	Bearing Cup
12	501-0277	1	Bearing Cup
13	501-0232	1	Seal
14	322-1213	1	Seal
15	501-0243	AR	Gasket
18	501-0249	AR	Gasket
21	501-0287	1	Spacer
22	501-0758	AR	Shim
23	501-0708	1	Cotter Pin
24	501-0253	8	Cap Screw
25	501-0251	4	Cap Screw
26	501-0266	1	Flange Nut
28	501-0252	8	Lockwasher
29	412-0072	4	Lockwasher
30	501-0254	1	Plug
31	501-0757		Relief Plug
33	501-0245	1	Retaining Ring
34	401-5160	1	Hub (Ref. Only)

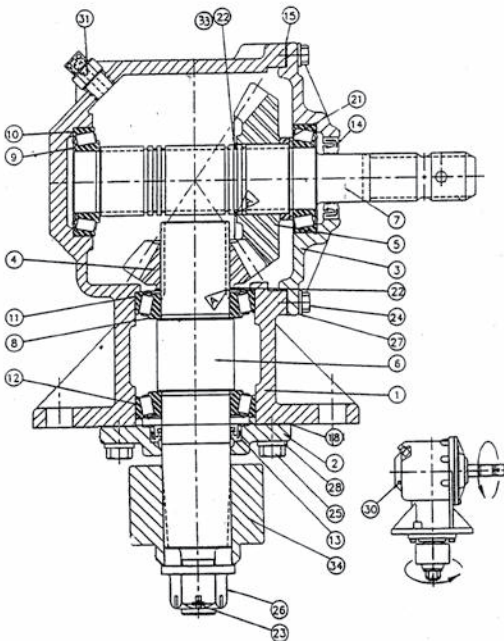


PART NO. 401-0170

Ratio: 1:1.46
Input: 1 3/8" 6 A spline
Output: 15 spline
Rotation: ---
Weight: 84.0 lbs.
Mounting: 4 bolt pattern, 8" bolt circle



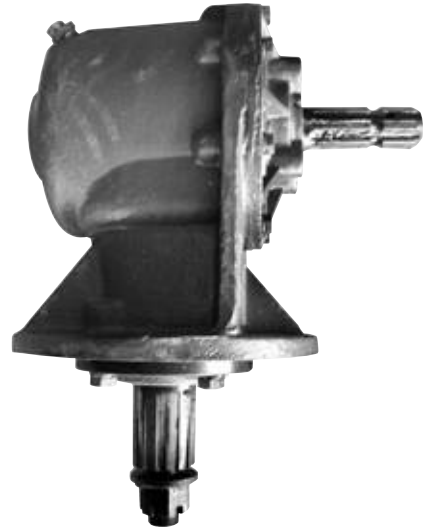
PARTS BREAKDOWN FOR 401-0170



<u>Item</u>	<u>Part No.</u>	<u>Qty</u>	<u>Description</u>
1.....	501-0770	1.....	Housing.....
2.....	501-0233	1.....	Output Cap.....
3.....	501-0915	1.....	Input Cap.....
4.....	501-0276-A.....	1.....	Gear 13T.....
5.....	501-0276	1.....	Gear 19T.....
6.....	501-0270	1.....	Output Shaft.....
7.....	501-0262	1.....	Input Shaft.....
8.....	501-0235	2.....	Bearing Cone.....
9.....	501-0240	2.....	Bearing Cone.....
10.....	501-0239	2.....	Bearing Cup.....
11.....	501-0274	1.....	Bearing Cup.....
12.....	501-0277	1.....	Bearing Cup.....
13.....	501-0232	1.....	Seal O/P.....
14.....	322-1213	1.....	Seal I/P.....
15.....	501-0243	AR.....	Gasket.....
18.....	501-0249	AR.....	Gasket.....
21.....	501-0287	1.....	Spacer.....
22.....	501-0758	AR.....	Shim.....
23.....	501-0708	1.....	Cotter Pin.....
24.....	501-0253	8.....	Cap Screw.....
25.....	501-0251	4.....	Cap Screw.....
26.....	501-0266	1.....	Flange Nut.....
27.....	501-0252	8.....	Lockwasher.....
28.....	412-0072	4.....	Lockwasher.....
30.....	501-0254	1.....	Plug.....
31.....	501-0757	1.....	Relief Plug.....
33.....	501-0245	1.....	Retaining Plug.....
34.....	401-5160	1.....	Hub (Ref. Only)

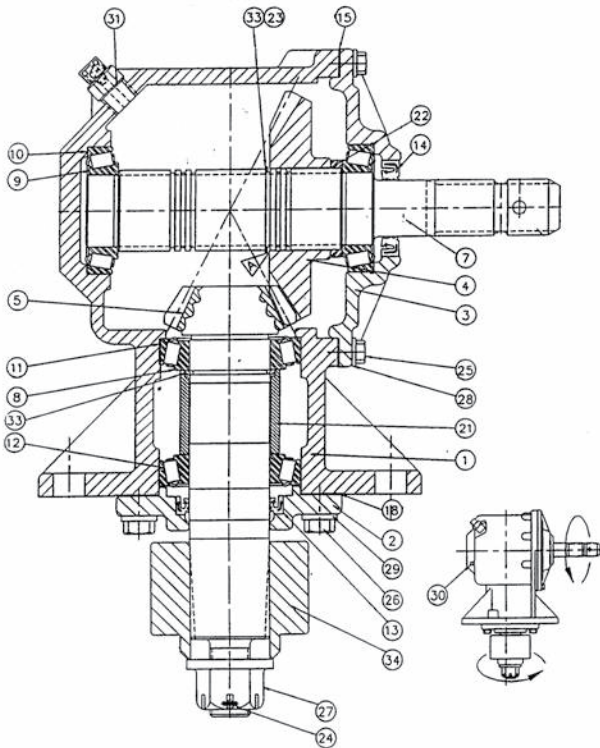


PART NO. 401-0170-01



Ratio: 1:1.93
Input: 1 3/8" 6 A spline
Output: 15 spline
Rotation: ---
Weight: 84.0 lbs.
Mounting: 4 bolt, 8" bolt hole pattern

**PARTS BREAKDOWN
 FOR 401-0170-01**



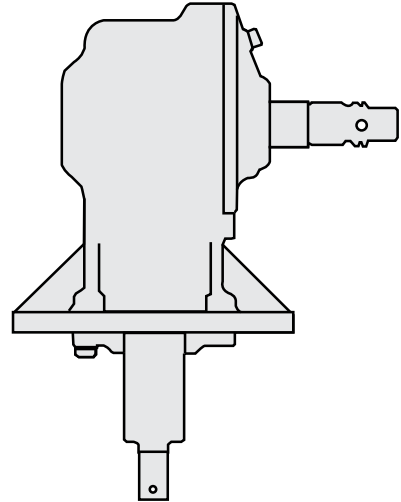
<u>Item</u>	<u>Part No.</u>	<u>Qty</u>	<u>Description</u>
1	501-0770.....	1.....	Housing.....
2	501-0233.....	1.....	Output Cap.....
3	501-0915.....	1.....	Input Cap.....
4	501-0265.....	1.....	Gear.....
5	501-0260.....	1.....	Output Shaft.....
7	501-0262.....	1.....	Input Shaft.....
8	501-0235.....	2.....	Bearing Cone ...
9	501-0240.....	2.....	Bearing Cone ...
10	501-0239.....	2.....	Bearing Cup.....
11	501-0274.....	1.....	Bearing Cup.....
12	501-0277.....	1.....	Bearing Cup.....
13	501-0232.....	1.....	Seal O/P.....
14	322-1213.....	1.....	Seal I/P.....
15	501-0243.....	AR.....	Gasket.....
18	501-0249.....	AR.....	Gasket.....
21	501-0236.....	1.....	Spacer.....
22	501-0287.....	1.....	Spacer.....
23	501-0758.....	AR.....	Shim.....
24	501-0708.....	1.....	Cotter Pin.....
25	501-0253.....	8.....	Cap Screw.....
26	501-0251.....	4.....	Cap Screw.....
27	501-0266.....	1.....	Flange Nut.....
28	501-0252.....	8.....	Lockwasher.....
29	412-0072.....	4.....	Lockwasher.....
30	501-0254.....	1.....	Plug.....
31	501-0757.....	1.....	Relief Plug.....
33	501-0245.....	1.....	Retaining Plug..
34	401-5160.....	1.....	Hub (Ref. Only)



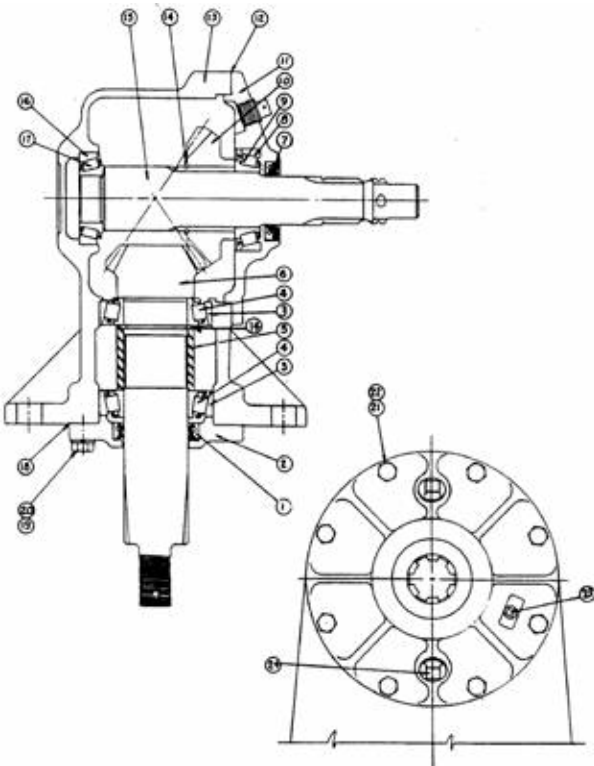
PART NO. 401-0169-02 & 401-0170-02

Slip Clutch Type. Components are available except the main housing.

Ratio: 1:1.47
Input: Reducer 6 B Spline
Output: 21 Spline
Rotation: Standard



PARTS BREAKDOWN FOR 401-0169-02 & 401-0170-02

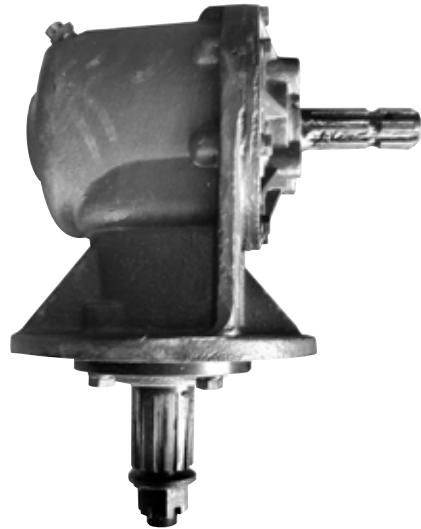


Item	Part No.	Qty	Description
.....	401-0170-02.....	1 Gearbox
.....	401-0169-02.....	1 Gearbox
1.....	501-0232.....	1 Seal, Output
2.....	501-0233.....	1 Bearing Retainer, Cap.....
3.....	501-0234.....	1 Bearing Race, O/P
4.....	501-0235.....	1 Bearing Cone, O/P
5.....	501-0236.....	1 Spacer O/P Shaft
6.....	501-0237.....	1 Shaft O/P 15 Spline
7.....	322-1213.....	1 Seal I/P Shear Pin Type....
7.....	501-0238.....	1 Seal I/P Slip Pin Type
8.....	501-0239.....	1 Bearing Race Input
9.....	501-0240.....	1 Bearing, Input.....
10.....	501-0241.....	1 Gear Input 22T.....
11.....	501-0242.....	1 Bearing Housing, I/P
12.....	501-0243.....	VAR Shim I/P.....
13.....	501-0244.....	1 Main Housing (N/A).....
14.....	501-0245.....	1 Retaing Ring I/P Gear.....
15.....	501-0256.....	1 Shaft I/P Shear Pin Type ...
15.....	501-0146.....	1 Shaft I/P Shear Clutch Type
16.....	501-0247.....	1 Bearing Race, Rear I/P
17.....	501-0248.....	1 Bearing, Rear I/P
18.....	501-0249.....	VAR Shim, Lower
19.....	412-0072.....	4 1/2 Lockwasher
20.....	501-0251.....	4 1/2 x 1/2 Bolt NF
21.....	501-0252.....	8 3/8 Lockwasher
22.....	501-0253.....	8 3/8 x 1/4 Bolt, NF
23.....	501-0254.....	1 Pipe Plug, 1/8 x 27 NPT ...
24.....	501-0255.....	2 Pipe Plug, 1/2 x 14 NPT ...

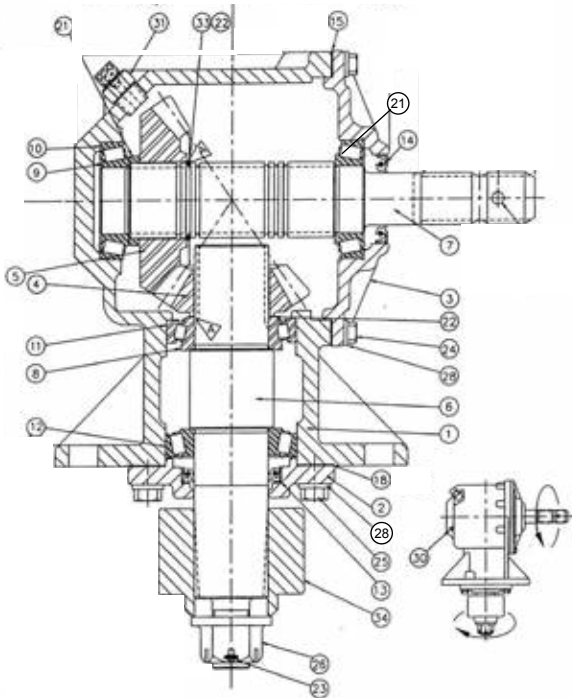


PART NO. 401-0170-05

Ratio: 1:1.46
Input: 1 3/8" 6 A spline
Rotation: Reverse



**PARTS BREAKDOWN FOR
 401-0170-05**

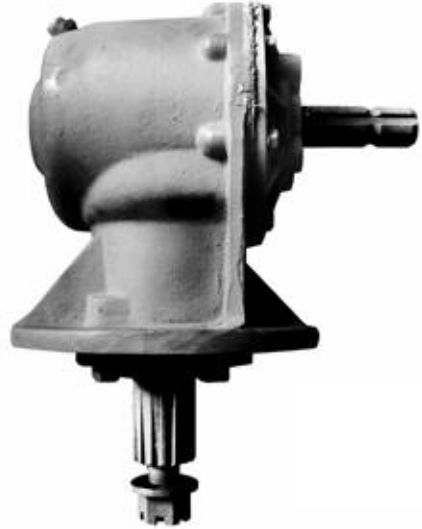


Item	Part No.	Qty	Description
1.....	501-0770.....	1	Housing
2.....	501-0233.....	1	Output Cap
3.....	501-0915.....	1	Input Cap
4.....	501-0276-A.....	1	Gear 13T, 1:1,46....
5.....	501-0276.....	1	Gear 19T, 1:1,46....
6.....	501-0270.....	1	O/P Shaft, Reverse
7.....	501-0262.....	1	Input Shaft
8.....	501-0235.....	2	Bearing Cone.....
9.....	501-0240.....	2	Bearing Cone.....
10.....	501-0239.....	2	Bearing Cup.....
11.....	501-0274.....	1	Bearing Cup.....
12.....	501-0277.....	1	Bearing Cup.....
13.....	501-0232.....	1	Seal O/P
14.....	322-1213.....	1	Seal I/P
15.....	501-0243.....	AR	Gasket
18.....	501-0249.....	AR	Gasket
21.....	501-0287.....	1	Spacer
22.....	501-0758.....	AR	Shim.....
23.....	501-0708.....	1	Cotter Pin.....
24.....	501-0253.....	8	Cap Screw
25.....	501-0251.....	4	Cap Screw
26.....	501-0266.....	1	Flange Nut.....
27.....	501-0252.....	8	Lockwasher
28.....	412-0072.....	4	Lockwasher
30.....	501-0254.....	1	Plug.....
31.....	501-0757.....	1	Relief Plug
33.....	501-0245.....	1	Retaining Ring.....
34.....	401-5160.....	1	Hub (Ref. Only).....



part no. 401-0170-11

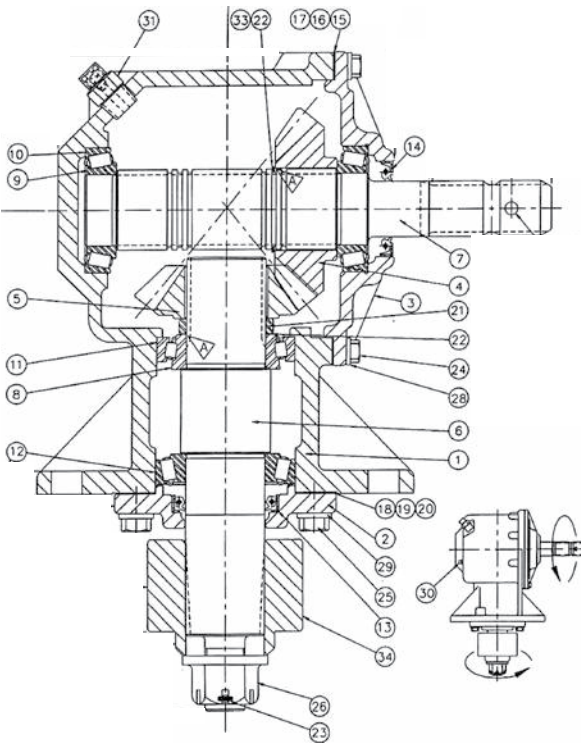
Ratio: 1:1.21
Input: 1 3/8" 6 A spline
Rotation: Standard



**PARTS BREAKDOWN FOR
401-0170-11**

Item Part No. Qty Description

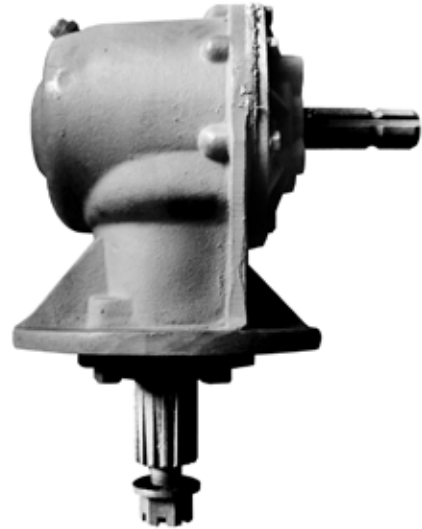
1.....	501-0770.....	1	Housing.....
2.....	501-0233.....	1	Output Cap.....
3.....	501-0915.....	1	Input Cap.....
4.....	501-0607.....	1	Gear 14T.....
5.....	501-0608.....	1	Gear 17T.....
6.....	501-0270.....	1	Output Shaft.....
7.....	501-0262.....	1	Input Shaft.....
8.....	501-0235.....	2	Bearing Cone...
9.....	501-0240.....	2	Bearing Cone...
10.....	501-0239.....	2	Bearing Cup.....
11.....	501-0274.....	1	Bearing Cup.....
12.....	501-0277.....	1	Bearing Cup.....
13.....	501-0232.....	1	Seal O/P.....
14.....	322-1213.....	1	Seal I/P.....
15.....	501-0243.....	AR	Gasket.....
18.....	501-0249.....	AR	Gasket.....
21.....	501-0287.....	1	Spacer.....
22.....	501-0758.....	AR	Shim.....
23.....	501-0708.....	1	Cotter Pin.....
24.....	501-0253.....	8	Cap Screw.....
25.....	501-0251.....	4	Cap Screw.....
26.....	501-0266.....	1	Flange Nut.....
27.....	501-0252.....	8	Lockwasher.....
28.....	412-0072.....	4	Lockwasher.....
30.....	501-0254.....	1	Plug.....
31.....	501-0757.....	1	Relief Plug.....
33.....	501-0245.....	1	Retaining Plug..
34.....	401-5160.....	1	Hub (Ref. Only)



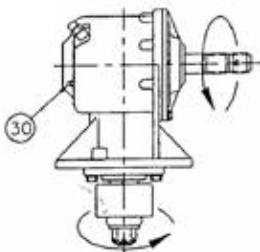
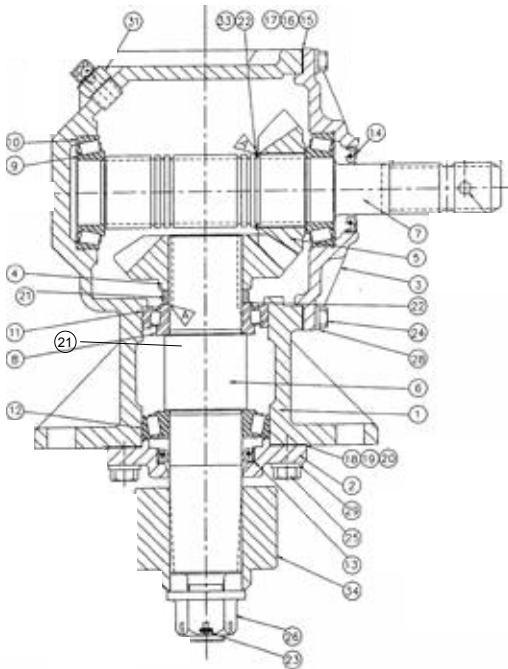


part no. 401-0170-12

Ratio: 1.21:1 Reducer
Input: 1 3/8" 6 A spline
Rotation: Standard



**PARTS BREAKDOWN FOR
401-0170-12**

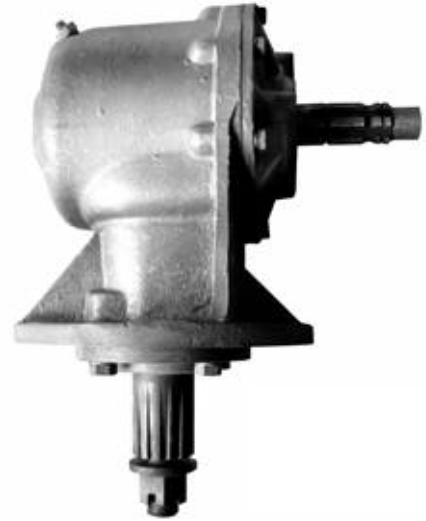


<u>Item</u>	<u>Part No.</u>	<u>Qty</u>	<u>Description</u>
1.....	501-0770	1.....	Housing.....
2.....	501-0233	1.....	Output Cap.....
3.....	501-0915	1.....	Input Cap.....
4.....	501-0608	1.....	Gear 17T.....
5.....	501-0607	1.....	Gear 14T.....
6.....	501-0270	1.....	Output Shaft.....
7.....	501-0262	1.....	Input Shaft.....
8.....	501-0235	2.....	Bearing Cone...
9.....	501-0240	2.....	Bearing Cone...
10.....	501-0239	2.....	Bearing Cup.....
11.....	501-0274	1.....	Bearing Cup.....
12.....	501-0277	1.....	Bearing Cup.....
13.....	501-0232	1.....	Seal O/P.....
14.....	322-1213	1.....	Seal I/P.....
15.....	501-0243	AR.....	Gasket.....
18.....	501-0249	AR.....	Gasket.....
21.....	501-0287	1.....	Spacer.....
22.....	501-0758	AR.....	Shim.....
23.....	501-0708	1.....	Cotter Pin.....
24.....	501-0253	8.....	Cap Screw.....
25.....	501-0251	4.....	Cap Screw.....
26.....	501-0266	1.....	Flange Nut.....
27.....	501-0252	8.....	Lockwasher.....
28.....	412-0072	4.....	Lockwasher.....
30.....	501-0254	1.....	Plug.....
31.....	501-0757	1.....	Relief Plug.....
33.....	501-0245	1.....	Retaining Plug..
34.....	401-5160	1.....	Hub (Ref. Only)

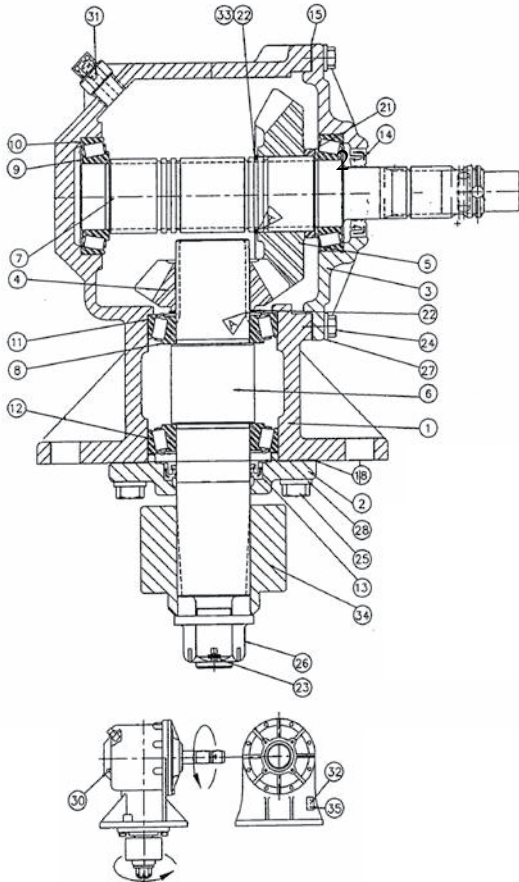


part no. 401-0199

Ratio: 1:1.46
Input: 1 3/8" 6 B spline
Output: 15 spline
Rotation: standard
Weight: 84.0 lbs.
Mounting: 4 bolt, 8" bolt circle



PARTS BREAKDOWN FOR 401-0199

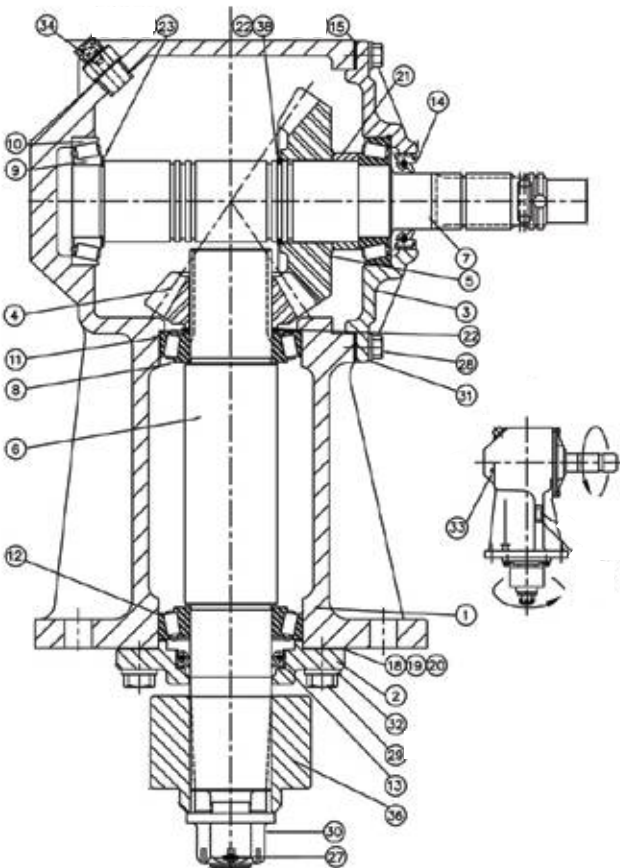


Item	Part No.	Qty	Description
1.....	501-0269.....	1.....	Housing.....
2.....	501-0233.....	1.....	Output Cap.....
3.....	501-0915.....	1.....	Input Cap.....
4.....	501-0276-A.....	1.....	Output Gear 13T
5.....	501-0276.....	1.....	Input Gear 19T...
6.....	501-0270.....	1.....	Output Shaft.....
7.....	501-0261.....	1.....	Input Shaft.....
8.....	501-0235.....	2.....	Bearing Cone.....
9.....	501-0240.....	2.....	Bearing Cone.....
10.....	501-0239.....	2.....	Bearing Cup.....
11.....	501-0274.....	1.....	Bearing Cup.....
12.....	501-0277.....	1.....	Bearing Cup.....
13.....	501-0232.....	1.....	Seal O/P.....
14.....	322-1213.....	1.....	Seal I/P.....
15.....	501-0243.....	AR.....	Gasket.....
18.....	501-0249.....	AR.....	Gasket.....
21.....	501-0287.....	1.....	Spacer.....
22.....	501-0758.....	1.....	Shim.....
23.....	501-0708.....	1.....	Cotter Pin.....
24.....	501-0253.....	8.....	Cap Screw.....
25.....	501-0251.....	4.....	Cap Screw.....
26.....	501-0266.....	1.....	Flange Nut.....
28.....	501-0252.....	8.....	Lockwasher.....
29.....	412-0072.....	4.....	Lockwasher.....
30.....	501-0254.....	1.....	Plug.....
31.....	501-0757.....	1.....	Relief Plug.....
33.....	501-0245.....	1.....	Retaining Ring ...
34.....	401-5160.....	1.....	Hub (Ref. Only)..



part no. 401-0224

Ratio: 1:1.46
Input: 1 3/8" 6 B spline
Output: 15 spline
Rotation: ---
Weight: 100.0 lbs.
Mounting: 4 bolt, 8" bolt circle



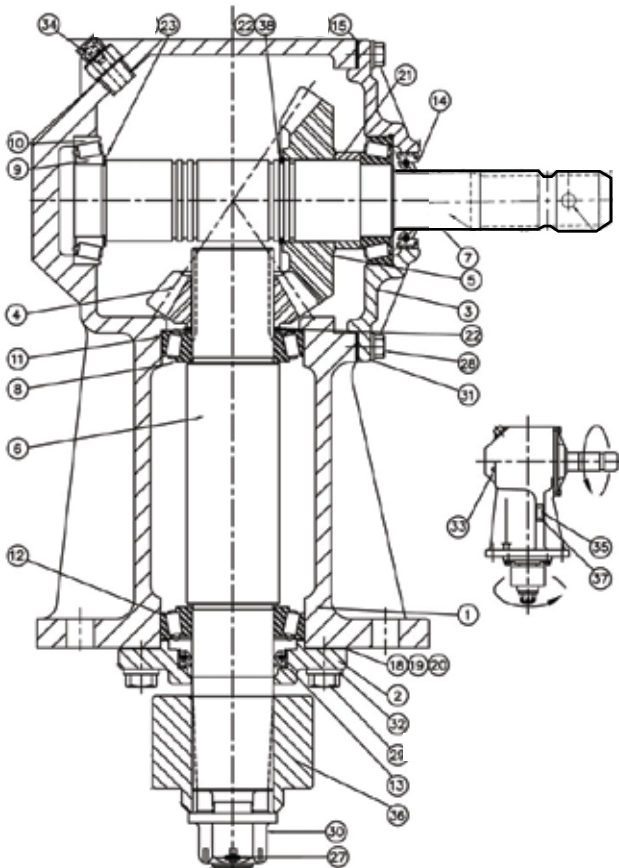
PARTS BREAKDOWN FOR 401-0224

Item	Part#	Qty	Description
1	501-0268	1	Housing
2	501-0233	1	Cap - Output
3	501-0915	1	Cap - Input
4	501-0276-A	1	Pinion, 13T
5	501-0276	1	Gear, 19T
6	501-0275	1	Shaft - Input
7	501-0272	1	Shaft - Output, 1-3/8" SB
8	501-0235	2	Bearing Cone - 368
9	501-0240	2	Bearing Cone - LM603049
10	501-0239	2	Bearing Cup - LM603014
11	501-0274	1	Bearing Cup - 362A
12	501-0277	1	Bearing Cup - 362
13	501-0232	1	Seal - O/P
14	322-1213	1	Seal-Input
15	501-0243	Var	Gasket - Input
18	501-0249	Var	Gasket - Output Cap
21	501-0271	1	Spacer- Input
22	501-0758	Var	Shim - 0.25
23	501-0271	Var	Spacer, Input
27	501-0708	1	Cotter Pin
28	501-0253	8	Screw- Hex Cap
29	501-0251	4	Screw- Hex Cap
30	401-7263	1	Nut- Hex Slotted, 1"
31	501-0017	8	Lockwasher- 3/8"
32	412-0072	4	Lockwasher- 1/2"
33	501-0254	1	Pipe Plug- SQ. Head, 1/8"
34	501-0757	1	Plug- Pressure Relief, 1/2"
36	401-5160	1	Hub (Reference Only)
38	501-0245	1	Retaining Ring



part no. 401-0224-04

Ratio: 1:1.46
Input: 1 3/8" 6A spline
Output: 15 spline
Rotation: ---
Weight: 100.0 lbs.
Mounting: 4 bolt, 8" bolt circle



PARTS BREAKDOWN FOR 401-0224

Item	Part#	Qty	Description
1.....	501-0268	1	Housing
2.....	501-0233	1	Cap - Output
3.....	501-0915	1	Cap - Input
4.....	501-0276-A...	1	Pinion, 13T
5.....	501-0276	1	Gear, 19T
6.....	501-0275	1	Shaft - Output
7.....	501-0272-03..	1	Shaft - Input, 1-3/8"-6A
8.....	501-0235	2	Bearing Cone - 368
9.....	501-0240	2	Bearing Cone - LM603049
10.....	501-0239	2	Bearing Cup - LM603014 ..
11.....	501-0274	1	Bearing Cup - 362A
12.....	501-0277	1	Bearing Cup - 362
13.....	501-0232	1	Seal - O/P
14.....	322-1213	1	Seal-Input
15.....	501-0243	Var	Gasket - Input
18.....	501-0249	Var	Gasket - Output Cap
21.....	501-0271	1	Spacer- Input
22.....	501-0758	Var	Shim - 0.25
23.....	501-0271	Var	Spacer, Input
27.....	501-0708	1	Cotter Pin.....
28.....	501-0253	8	Screw- Hex Cap
29.....	501-0251	4	Screw- Hex Cap
30.....	401-7263	1	Nut- Hex Slotted, 1"
31.....	501-0017	8	Lockwasher- 3/8"
32.....	412-0072	4	Lockwasher- 1/2"
33.....	501-0254	1	Pipe Plug- SQ. Head , 1/8"
34.....	501-0757	1	Plug- Pressure Relief, 1/2"
36.....	401-5160	1	Hub (Reference Only).....
38.....	501-0245	1	Retaining Ring

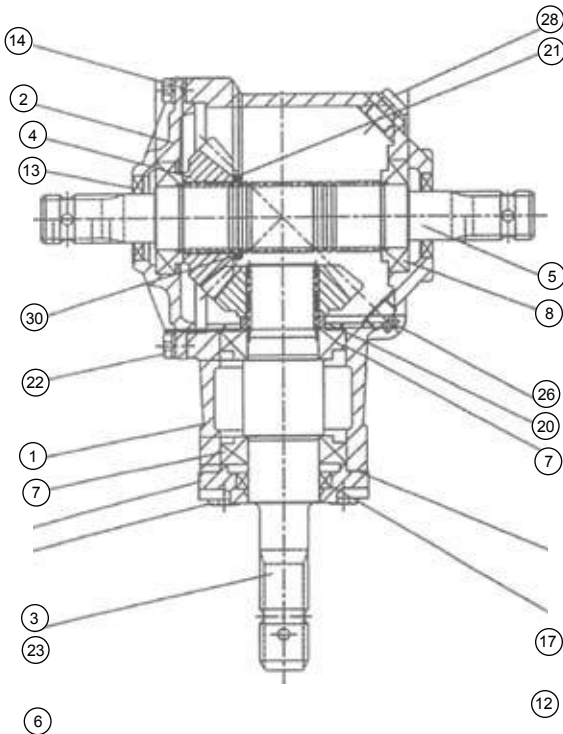


PART NO. 900-070101

Ratio: 1:1
Input: 1 3/8" 6 spline
Output: 1 3/8" 6 spline
Rotation: ---
Weight: 70.0 lbs.
Mounting: 4 bolt, 3 1/4" x 5 pattern



PARTS BREAKDOWN FOR 900-070101

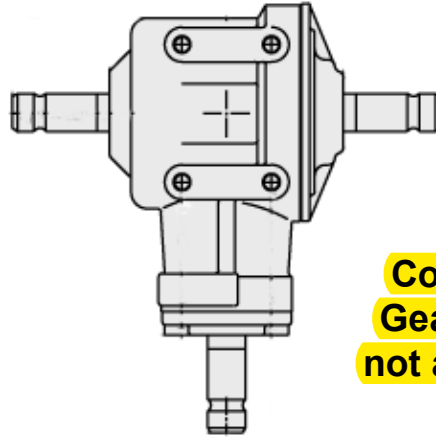


<u>Item</u>	<u>Part No.</u>	<u>Qty</u>	<u>Description</u>
1.....	501-0600.....	1.....	Housing.....
2.....	501-0915.....	1.....	Cover.....
3.....	501-0606.....	1.....	Input Cap.....
4.....	501-0605.....	2.....	Gear 17T.....
5.....	501-0603.....	1.....	Output Shaft.....
6.....	501-0601-01.....	1.....	Input Shaft.....
7.....	501-0235.....	2.....	Bearing Cone.....
8.....	501-0240.....	2.....	Bearing Cone.....
9.....	501-0239.....	2.....	Bearing Cup.....
10.....	501-0274.....	1.....	Bearing Cup.....
11.....	501-0277.....	1.....	Bearing Cup.....
12.....	501-0232.....	1.....	Seal.....
13.....	322-1213.....	2.....	Seal.....
14.....	501-0243.....	Var.....	Gasket.....
17.....	501-0249.....	Var.....	Gasket.....
20.....	501-0602.....	1.....	Spacer.....
21.....	501-0287.....	1.....	Spacer.....
22.....	501-0253.....	8.....	Capscrew, 3/8"x1/4".....
23.....	501-0251.....	4.....	Capscrew, 1/2"x1/2".....
24.....	501-0252.....	8.....	Lockwasher.....
25.....	501-0250.....	4.....	Lockwasher.....
26.....	501-0255.....	1.....	Plug, 1/2".....
27.....	501-0254.....	1.....	Plug, 1/8".....
28.....	501-0757.....	1.....	Plug, Pressure Relief.....
30.....	501-0245.....	1.....	Retaining Ring.....



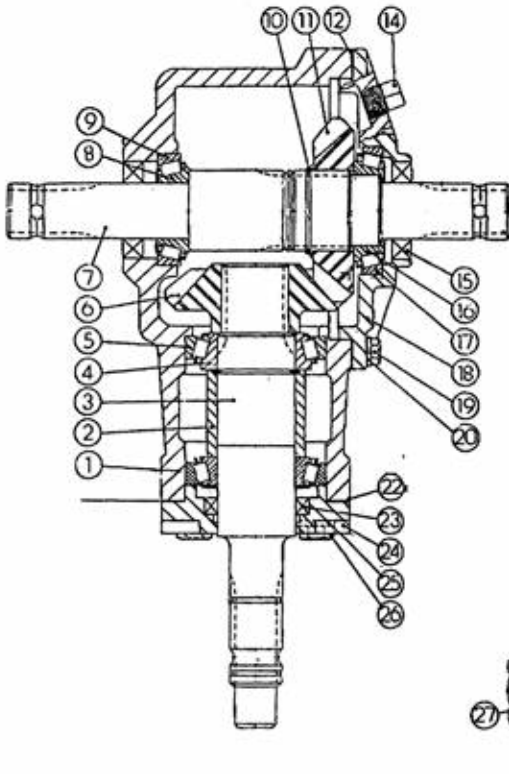
PART NO. 900-070101-01

Ratio: 1:1
Input: 1 3/8" 6 spline
Output: 1 3/8" 6 spline
Rotation: ---
Weight: 70.0 lbs.
Mounting: 4 bolt, 3 1/4" x 5 pattern



Complete Gearbox is not available

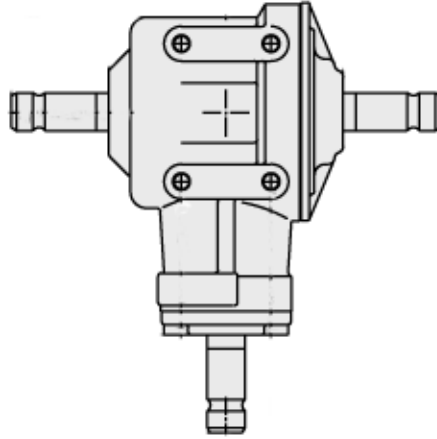
PARTS BREAKDOWN FOR 900-070101-01



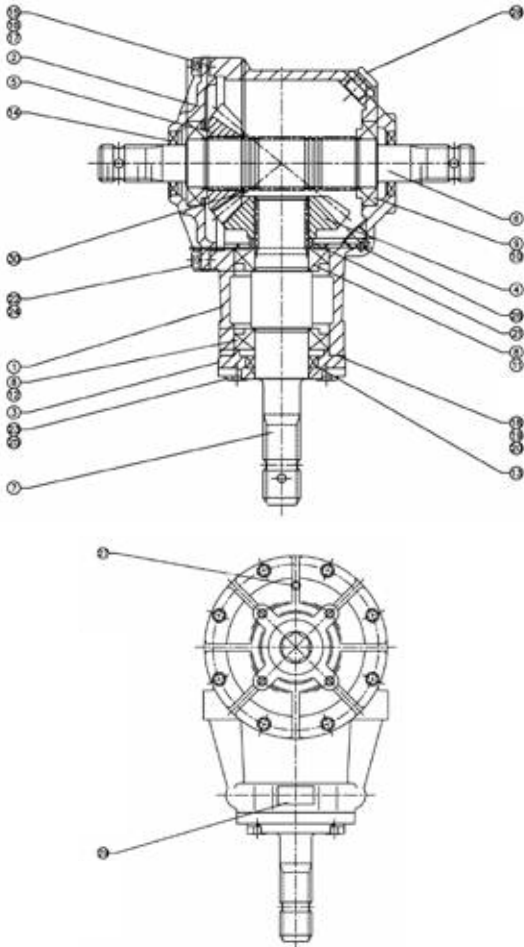
<u>Item</u>	<u>Part No.</u>	<u>Qty</u>	<u>Description</u>
.....	900-070101-01	1	T-Gearbox.....
1.....	900-070503	1	Housing (N/A)....
2.....	501-0236	1	Spacer.....
3.....	900-070510	1	Input Shaft.....
4.....	501-0235	2	Bearing Cone.....
5.....	501-0234	2	Bearing Cup.....
6.....	900-070505	1	Input Gear 18T...
7.....	900-070501	1	Output Shaft.....
8.....	501-0247	1	Bearing Cone.....
9.....	501-0248	1	Bearing Cup.....
10.....	501-0245	2	Retaining Ring ...
11.....	900-070502	1	Output Gear 18T
12.....	501-0243	Var	Gasket.....
14.....	507-9457	2	Plug.....
15.....	322-1213	2	Seal.....
16.....	501-0240	1	Bearing Cone.....
17.....	501-0239	1	Bearing Cup.....
18.....	501-0242	1	Output Cap.....
19.....	501-0253	8	Cap Screw.....
20.....	501-0252	8	Lockwasher.....
22.....	501-0249	Var	Gasket.....
23.....	501-0232	1	Seal.....
24.....	501-0233	1	Input Cap.....
25.....	412-0072	4	Lockwasher.....
26.....	501-0251	4	Cap Screw.....
27.....	501-0254	1	Plug.....



PART NO. 900-070101-02



PARTS BREAKDOWN FOR 900-070101-02

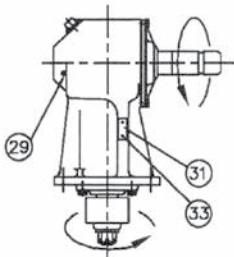
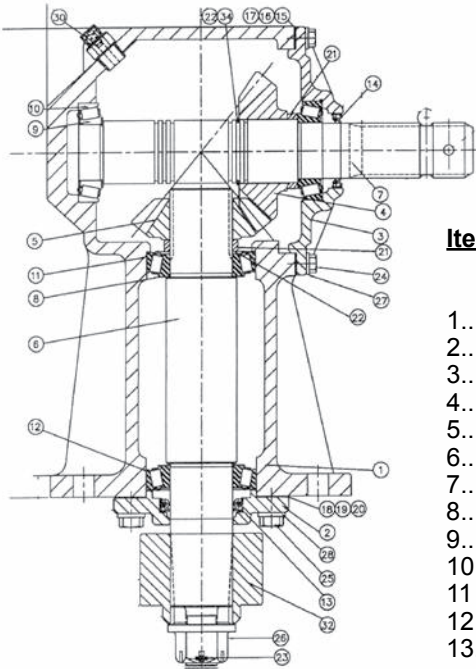


<u>Item</u>	<u>Part No.</u>	<u>Qty</u>	<u>Description</u>
.....	900-070101-01	1	T-Gearbox.....
1.....	501-0600-01	1	Housing.....
2.....	501-0915	1	Cover.....
3.....	501-0606	1	Cover.....
4.....	501-0608	1	Gear 17t.....
5.....	501-0607	1	Gear, 14t.....
6.....	501-0603	1	Through Shaft.....
7.....	501-0601-01	1	Input Shaft.....
8.....	501-0235	2	Bearing Cone.....
9.....	501-0240	2	Bearing Cone.....
10.....	501-0239	2	Bearing Cup.....
11.....	501-0274	1	Bearing Cup.....
12.....	501-0277	1	Bearing Cup.....
13.....	501-0232	1	Seal.....
14.....	322-1213	2	Seal.....
15.....	501-0243	Var	Gasket.....
18.....	501-0249	Var	Gasket.....
21.....	501-0602	1	Spacer.....
22.....	501-0253	8	Capscrew, 3/8" X 1 1/4"
23.....	501-0251	4	Capscrew, 1/2" X 1 1/2"
24.....	501-0252	8	Lockwasher, 3/8".....
25.....	412-0072	4	Lockwasher, 1/2".....
26.....	501-0255	1	Plug, 1/2".....
27.....	501-0254	1	Plug, 1/8".....
28.....	501-0757	1	Plug Pressure Relief.....
30.....	501-0245	1	Retainer Ring.....



PART NO. 401-0228

Ratio: 1:1
Input: 21" spline
Output: 21" spline
Rotation: Counter Clockwise
Weight: ---
Mounting: ---



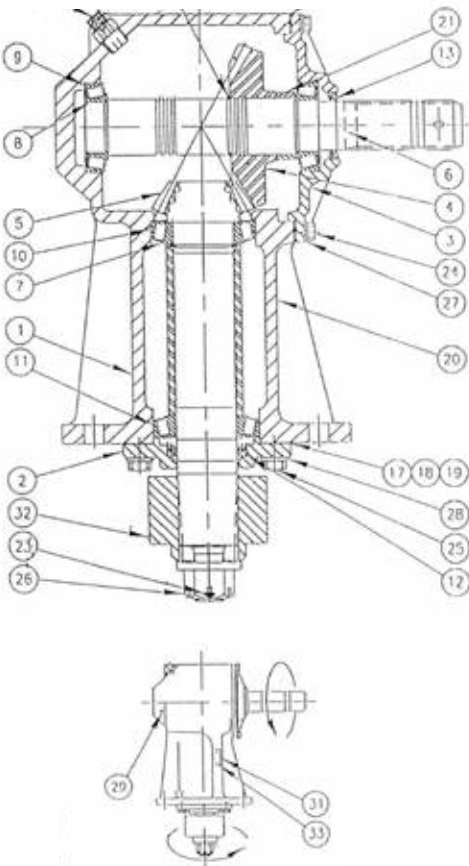
Item Part No. Qty Description

	401-0228		Gearbox
1.....	501-0268-03	1	Housing
2.....	501-0233	1	Cap-Output
3.....	501-0915	1	Cap-Input.....
4.....	501-0608	1	Gear,17T.....
5.....	501-0607	1	Pinion,14T
6.....	501-0275	1	Shaft Output
7.....	501-0272-03	1	Shaft Input, 1-3/8"-6a
8.....	501-0235	2	Bearing Cone.....
9.....	501-0240	2	Bearing Cone.....
10...	501-0239	2	Bearing Cup.....
11...	501-0274	1	Bearing Cup.....
12...	501-0277	1	Bearing Cup.....
13...	501-0232	1	Seal-Output
14...	322-1213	1	Seal-Input
15...	501-0243	Var...	Gasket Input Cap, 0.30
18...	501-0249	Var...	Gasket Ouput Cap, 0.30.....
21...	501-0602	2	Spacer-gear
22...	501-0758	Var...	Shim-.25
23...	501-0708	1	Cotter Pin-5 x 50
24...	501-0253	8	Screw -Hex Cap, 3/8"-16UNC, GR5
25...	501-0251	4	Screw -Hex Cap, 1/2" 13UNC, GR5
26...	501-0266	1	Nut-Hex Slotted, 1"-14UNC
27...	501-0252	8	Lockwasher-3/8" Split Type
28...	412-0072	4	Lockwasher-1/2" Split Type
29...	501-0254	1	Pipe Plug-SQ. Head 1/8" 27NPTF
30...	501-0757	1	Plug Pressure Relief, 1/2" 14NPTF..
32...	401-5160	1	Blade Hub, Reference Only.....
34...	501-0245	1	Retaining Ring.....



part no. 401-0229

Ratio: 1:1
Rotation: Standard



Item	Part No.	Qty	Description
	401-0229		Gearbox
1.....	501-0268-03	1	Housing.....
2.....	501-0233	1	Cap Output.....
3.....	501-0915	1	Cap Input.....
4.....	501-0265	1	Gear 25T.....
5.....	300-26364	1	Pinion, Shaft 13T.....
6.....	501-0272-03	1	Shaft Input, 1-3/8".....
7.....	501-0235	1	Bearing Cone, 368.....
8.....	501-0240	2	Bearing Cone, LM603019.....
9.....	501-0239	2	Bearing Cone, LM603014.....
10.....	501-0274	2	Bearing Cup, 362A.....
11.....	501-0277	1	Bearing Cup, 362.....
12.....	501-0232	1	Seal, 2 Lip, Nat'l 471883 ..
13.....	322-1213	1	Seal, 2 Lip, Nat'l 473215 ..
15.....	501-0243	A/R.....	Gasket, 0.15 mm.....
18.....	501-0249	A/R.....	Gasket, 0.15 mm.....
20.....	501-0263-A	1	Spacer, Output Bearing
21.....	501-0271	1	Spacer.....
22.....	501-0758	A/R.....	Shim, 0.25.....
23.....	501-0708	1	Cotter Pin.....
24.....	501-0253	8	Screw, Hex Cap, 3/8".....
25.....	501-0251	4	Screw, Hex Cap, 1/2".....
26.....	501-0266	1	Nut, Flange Lock.....
27.....	501-0252	8	Lockwasher, 3/8".....
28.....	412-0072	4	Lockwasher, 1/2".....
29.....	501-0254	1	Pipe Plug, SQ HD, 1/8"
30.....	501-0757	1	Plug Relief, 1/2".....
32.....	401-5160	1	Blade Hub (for ref. only) ...
34.....	501-0245	1	Retaining Ring.....



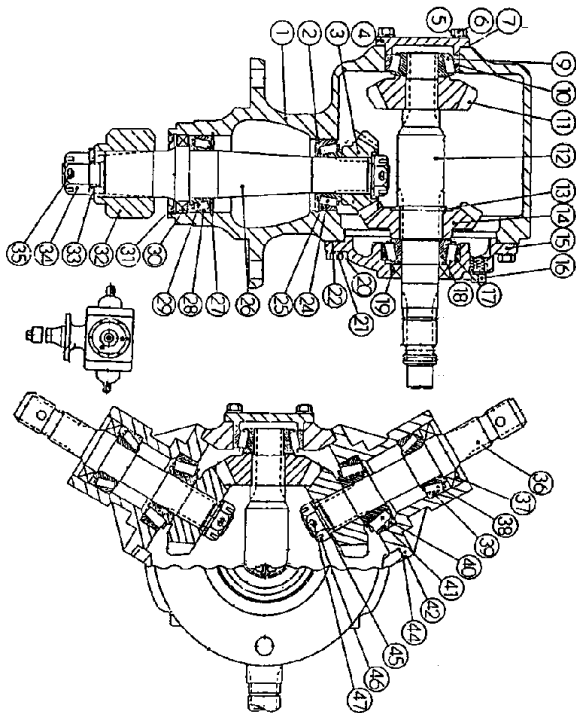
part no. 12-191

COMPLETE GEARBOX NOT AVAILABLE. ONLY PARTS ARE AVAILABLE.



Ratio: 1:1.47
Input: 1 3/8" 6 B spline
Output: 6 spline horizontal, 15 spline vertical
Rotation: ---
Weight: 160.0 lbs.
Mounting: 4 bolt, 8" bolt circle

PARTS BREAKDOWN FOR 12-191



Item	Part No.	Quantity	Description
7.....	12-19109	Var	Gasket.....
9.....	12-19032	1	Bearing Cone.....
10.....	320-5221	1	Bearing Cup.....
11.....	12-19012	3	Gear 17T.....
12.....	12-19008	1	Input Shaft.....
13.....	12-19025	1	Retaining Ring.....
14.....	12-19043	1	Gear 25T.....
15.....	12-19102	1	Input Cap.....
16.....	501-0030	2	Plug.....
17.....	12-19029	1	Bearing Cup.....
18.....	12-19030	1	Bearing Cone.....
19.....	501-0238	1	Seal.....
20.....		14	Lockwasher.....
21.....		14	Cap Screw.....
22.....	12-19108	Var	Gasket.....
24.....	12-19106	1	Bearing Cone.....
25.....	12-19104	1	Bearing Cup.....
26.....	12-19103	1	Output Shaft.....
27.....	12-19111	1	Retaining Cup.....
28.....	320-3814	1	Bearing Cup.....
29.....	12-19039	1	Bearing Cone.....
30.....	12-19105	1	Seal.....
31.....	12-19107	1	Seal Protector.....
32.....	401-5160	1	Hub (for ref. only).....
33.....	401-7471	1	Flatwasher.....
34.....	401-7263	1	Hex Nut 1" Castl.....
35.....	501-0708	1	Cotter Pin.....
36.....	12-19007	2	Output Shaft.....
37.....	12-19023	2	Seal.....
38.....	12-19035	2	Bearing Cone.....
39.....	12-19034	2	Bearing Cup.....
40.....	12-19037	2	Bearing Cone.....
41.....	12-19036	2	Bearing Cup.....
42.....	12-19005	2	Hub.....
44.....	12-19016	Var	Gasket.....
45.....	12-19021	3	Flatwasher.....
46.....	12-19020	3	Hex Nut.....
47.....	347-81	3	Pin.....

Item	Part No.	Qty	Description
1.....	12-19101	1	Housing
2.....	12-19110	1	Retaining Ring
3.....	12-19042	1	Gear 17T
4.....	12-19004	4	Blank Cap
5.....	501-0017	4	Lockwasher
6.....	501-0018	4	Cap Screw