

**BUSH HOG®**

# SQUEALER SERIES

ROTARY MOWER  
SQ142, SQ148, SQ160,  
SQ172, SQ184, SQ84T

Published 05/12

## PARTS MANUAL SECTION 82



An Operator's Manual was shipped with the equipment. The Operator's Manual is an integral part of the safe operation of this machine and must be maintained with the unit at all times. **READ, UNDERSTAND, and FOLLOW** the Safety and Operation Instructions contained in this manual before operating the equipment. If the Operator's Manual is not with the equipment, contact your dealer or Bush Hog to obtain a copy before operating the equipment.

Safety Video

**Important Operating and Safety Instructions** are found in the Mower Safety Video that can be instantly accessed on the internet at: [www.algqr.com/bve](http://www.algqr.com/bve)



[www.algqr.com/bve](http://www.algqr.com/bve)



**BUSH HOG®**

2501 Griffin Ave.  
Selma, AL 36703  
Parts Ordering 1-800-304-2836  
[www.bushhog.com](http://www.bushhog.com)

**ATENCIÓN!**

LEA EL INSTRUCTIVO

Si No Lee Ingles, Pida Ayuda a Alguien  
Que Si Lo Lea Para Que le Traduzca las  
Medidas de Seguridad.



**MEMBER OF THE  
ALAMO GROUP**  
ALWAYS ON THE CUTTING EDGE®

© 2011 Alamo Group Inc.

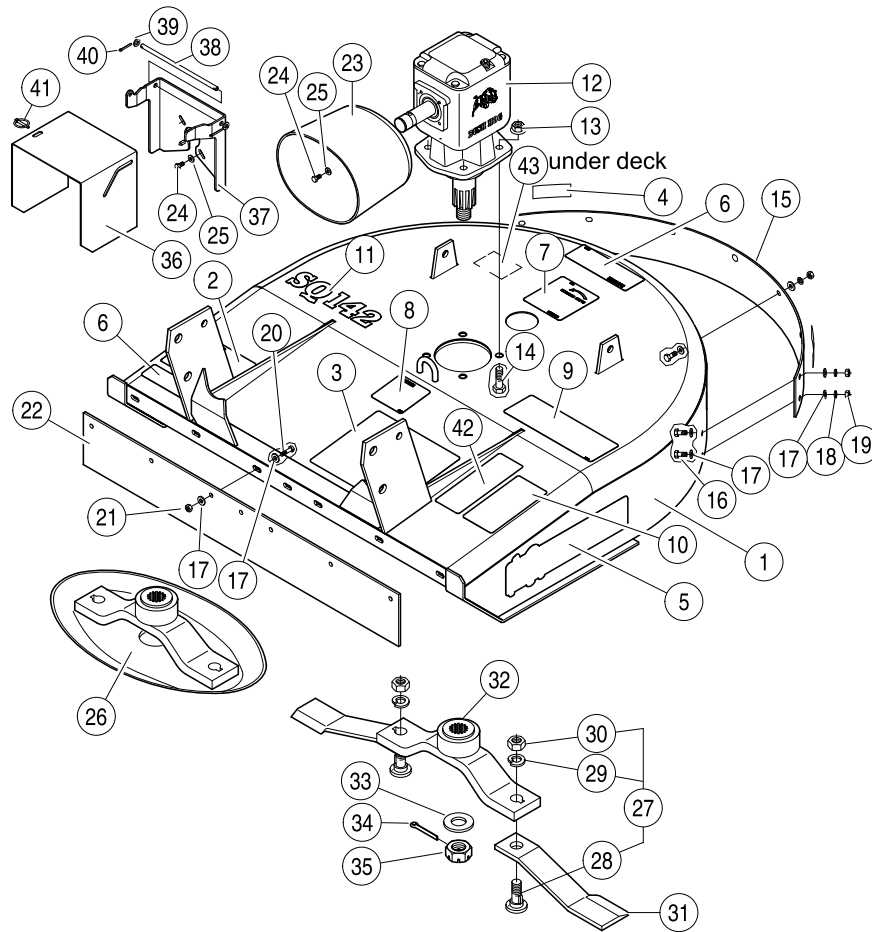
# SQ142, SQ148, SQ160, SQ172, SQ184, SQ84T

## SQUEALERS

### ALPHABETICAL INDEX BY MODELS

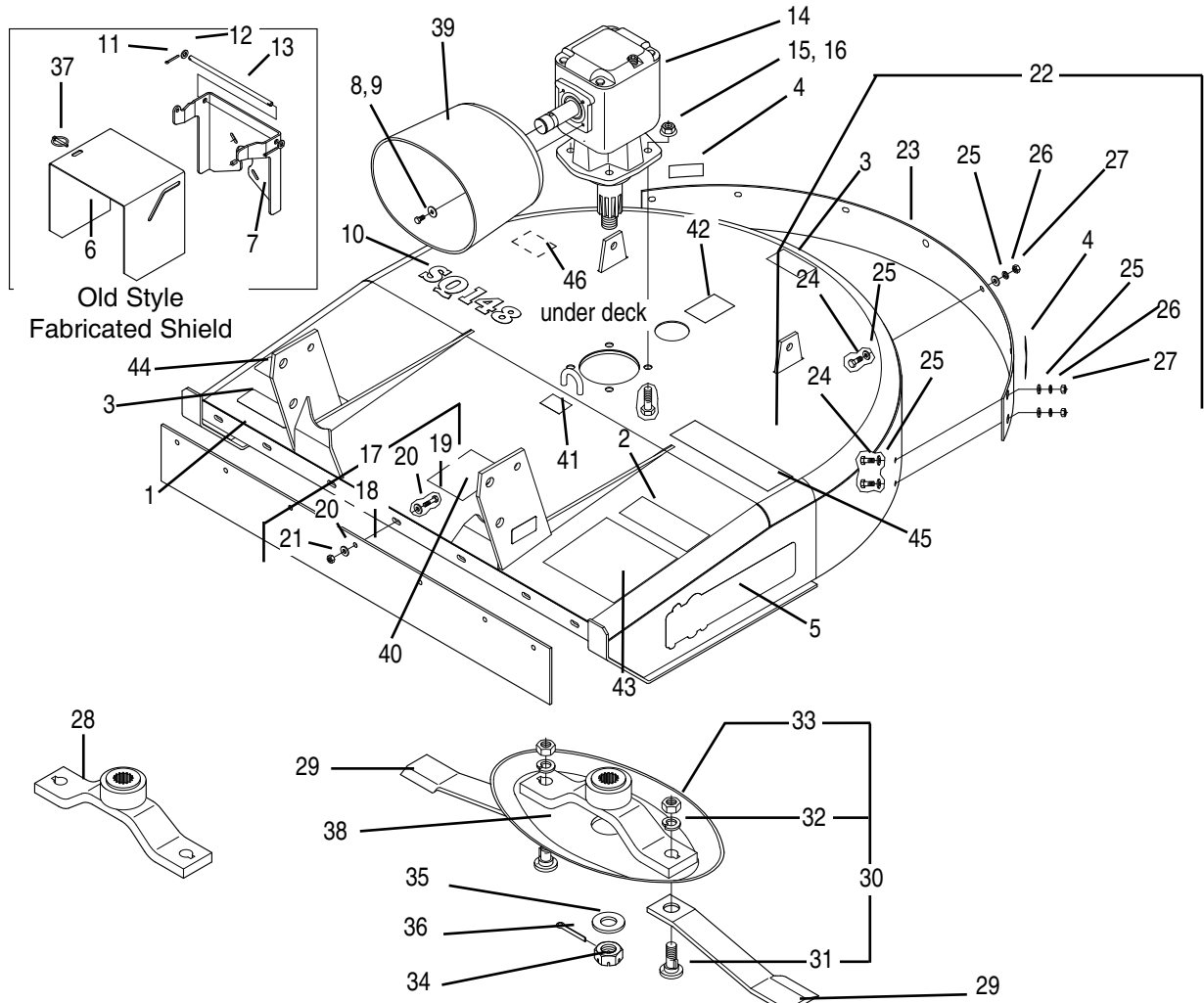
| <b>CONTENTS</b>                           | <b>PAGE</b>              | <b>CONTENTS</b>                           | <b>PAGE</b>               |
|---|--------------------------|---|---------------------------|
| <b>SQ142</b>                              |                          | <b>SQ172</b>                              |                           |
| Base Assembly .....                       | 82-1-1                   | Base Assembly .....                       | 82-1-4                    |
| Blades/Blade Holder .....                 | 82-1-1                   | Blades/Blade Holder .....                 | 82-1-4                    |
| Chains, Front and Rear .....              | 82-2-1                   | Chains, Front and Rear .....              | 82-2-2                    |
| Decal Kit .....                           | 82-1-1                   | Decal Kit .....                           | 82-1-4                    |
| Deflector Kits .....                      | 82-1-1                   | Deflector Kits .....                      | 82-1-4                    |
| Driveshafts .....                         | 82-4-1, 82-4-2 & 82-4-11 | Driveshaft (Shearbolt Style) .....        | 82-4-6, 82-4-9 & 82-4-12  |
| Gearbox Assembly .....                    | 82-3-1                   | Driveshaft (Slip Clutch Style) .....      | 82-4-3, 82-4-8 & 82-4-13  |
| Hitch - 3 Pt. Lift .....                  | 82-5-1                   | Gearbox Assembly .....                    | 82-3-2                    |
| Tailwheel Frame .....                     | 82-5-1                   | Hitch - 3 Pt. Lift (Quick Attach) .....   | 82-5-4                    |
| Tailwheel (Solid Rubber) .....            | 82-6-1                   | Hitch - 3 Pt. Lift (Standard) .....       | 82-5-8                    |
| Tailwheel (Laminated) .....               | 82-6-1, 82-6-2           | Tailwheel Frame .....                     | 82-5-2, 82-5-8            |
|   |                          | Tailwheel (Laminated) .....               | 82-6-1, 82-6-3 & 82-6-4   |
|   |                          | Tailwheel with Taper Wheel Bearings ..... | 86-6-5                    |
| <b>SQ148</b>                              |                          | <b>SQ184</b>                              |                           |
| Base Assembly .....                       | 82-1-2                   | Base Assembly .....                       | 82-1-5                    |
| Blades/Blade Holder .....                 | 82-1-2                   | Blades/Blade Holder .....                 | 82-1-5                    |
| Chains, Front and Rear .....              | 82-2-1                   | Chains, Front and Rear .....              | 82-2-2                    |
| Decal Kit .....                           | 82-1-2                   | Decal Kit .....                           | 82-1-5                    |
| Deflector Kits .....                      | 82-1-2                   | Deflector Kits .....                      | 82-1-5                    |
| Driveshaft .....                          | 82-4-1, 82-4-2 & 82-4-11 | Driveshaft (Slip Clutch Style) .....      | 82-4-5, 82-4-10 & 82-4-14 |
| Gearbox Assembly .....                    | 82-3-1                   | Gearbox Assembly .....                    | 82-3-4                    |
| Hitch - 3 Pt. Lift (Quick Attach) .....   | 82-5-2                   | Hitch - 3 Pt. Lift (Quick Attach) .....   | 82-5-5                    |
| Hitch - 3 Pt. Lift (Standard) .....       | 82-5-6                   | Hitch - 3 Pt. Lift (Standard) .....       | 82-5-9                    |
| Tailwheel Frame .....                     | 82-5-2, 82-5-6           | Tailwheel Frame .....                     | 82-5-2, 82-5-9            |
| Tailwheel (Solid Rubber) .....            | 82-6-1                   | Tailwheel .....                           | 82-6-3                    |
| Tailwheel (Laminated) .....               | 82-6-1, 82-6-2           | Tailwheel with Taper Wheel Bearings ..... | 86-6-5                    |
| Tailwheel with Taper Wheel Bearings ..... | 86-6-5                   |   |                           |
| <b>SQ160</b>                              |                          | <b>SQ84T</b>                              |                           |
| Base Assembly .....                       | 82-1-3                   | Base Assembly .....                       | 82-1-6                    |
| Blades/Blade Holder .....                 | 82-1-3                   | Blades Blade Holder .....                 | 82-1-6                    |
| Chains, Front and Rear .....              | 82-2-2                   | Driveshaft (Slip Clutch Style) .....      | 82-4-3, 82-4-9            |
| Decal Kit .....                           | 82-1-3                   | Driveshaft (Outboard) .....               | 82-3-7                    |
| Deflector Kits .....                      | 82-1-3                   | Gearbox Assembly (Input) .....            | 82-3-6                    |
| Driveshaft (Shearbolt Style) .....        | 82-4-4, 82-4-7 & 82-4-12 | Gearbox Assembly (Outboard) .....         | 82-3-7                    |
| Driveshaft (Slip Clutch Style) .....      | 82-4-3, 82-4-8 & 82-4-13 | Hitch - 3 Pt. Lift (Standard) .....       | 82-5-10                   |
| Gearbox Assemblies .....                  | 82-3-3 & 83-3-5          | Tailwheel Beam .....                      | 82-5-10                   |
| Hitch - 3 Pt. Lift (Quick Attach) .....   | 82-5-3                   | Tailwheel .....                           | 82-6-2                    |
| Hitch - 3 Pt. Lift (Standard) .....       | 82-5-7                   |   |                           |
| Tailwheel Frame .....                     | 82-5-3, 82-5-7           |   |                           |
| Tailwheel Frame .....                     | 82-5-3                   |   |                           |
| Tailwheel (Laminated) .....               | 82-6-1, 82-6-3 & 82-6-4  |   |                           |
| Tailwheel with Taper Wheel Bearings ..... | 86-6-5                   |   |                           |

### SQ142 BASE ASSEMBLY



| REF. NO. | PART NO. | DESCRIPTION                    | QTY. REQ'D. | REF. NO. | PART NO. | DESCRIPTION                    | QTY. REQ'D. |
|----------|----------|--------------------------------|-------------|----------|----------|--------------------------------|-------------|
| 1        | 50055264 | Deck w/ Decals (Red)           | 1           | 20       | -----    | Capscrew 3/8"                  | 7           |
|          | 50056676 | Deck w/Decals (Blue)           | 1           | 21       | -----    | Locknut 3/8"                   | 7           |
|          | 50056675 | Deck w/Decals (Green)          | 1           | 22       | 50017934 | Front Belting                  | 1           |
|          | 50056674 | Deck w/Decals (Orange)         | 1           | 23       | 50068436 | Shield, Gearbox                | 1           |
|          | 50021099 | Decal Kit                      | 1           | 24       | 90560    | Capscrew M8 x 1.25 x 15 Gr.8.8 | 4           |
|          | 90252    | Decal Kit (French)             | 1           | 25       | -----    | Flatwasher 1/4"                | 4           |
| 2        | D547     | Decal, Danger                  | 1           | 26       | 50068582 | Pan Weldment                   | 1           |
| 3        | D549     | Decal Sheet                    | 1           | 27       | 66516    | Blade Bolt Kit                 | 2           |
| 4        | 50031213 | Reflector, Red                 | 2           | 28       | 1259     | Blade Bolt                     | 2           |
| 5        | 50056691 | Squealer Decal                 | 2           | 29       | 66       | Lockwasher 7/8"                | 2           |
| 6        | D614     | Danger Decal (Thrown Obj.)     | 2           | 30       | 15626    | Jam Nut 7/8"                   | 2           |
| 7        | D551     | Decal, Blade Rotation (CCW)    | 1           | 31       | 66644    | Blade                          | 2           |
| 8        | D546     | Decal, Danger (Shield Missing) | 1           | 32       | 50037077 | Blade Bar Weldment             | 1           |
| 9        | D590     | Decal, Lube Point              | 1           | 33       | 70695    | Flatwasher (Special)           | 1           |
| 10       | D559     | Decal, (Genuine BH Parts)      | 1           | 34       | 70699    | Cotter Pin                     | 1           |
| 11       | 50055241 | Model Decal                    | 1           | 35       | 70694    | Castle Nut                     | 1           |
| 12       | 71281    | Gearbox Assy                   | 1           | 36       | 50055236 | Shield (Old Style Metal)       | 1           |
| 13       | -----    | Locknut Flanged 5/8"           | 4           | 37       | 50055080 | Shield Mount                   | 1           |
| 14       | -----    | Capscrew 5/8" x 2" Gr.5        | 4           | 38       | 50055238 | Hinge Rod                      | 1           |
| 15       | 50031224 | Rear Band w/Reflectors         | 1           | 39       | -----    | Flatwasher 3/8"                | 2           |
| 16       | -----    | Capscrew 3/8" x 1 Gr.5         | 9           | 40       | -----    | Cotter Pin 1/8" x1"            | 2           |
| 17       | -----    | Flatwasher 3/8"                | 32          | 41       | 69391    | Lynch Pin                      | 1           |
| 18       | -----    | Lockwasher 3/8"                | 9           | 42       | D813     | Decal, Danger - Multilingual   | 1           |
| 19       | -----    | Hex Nut 3/8"                   | 9           | 43       | D454     | Decal, Warning (Crushing Haz.) | 1           |

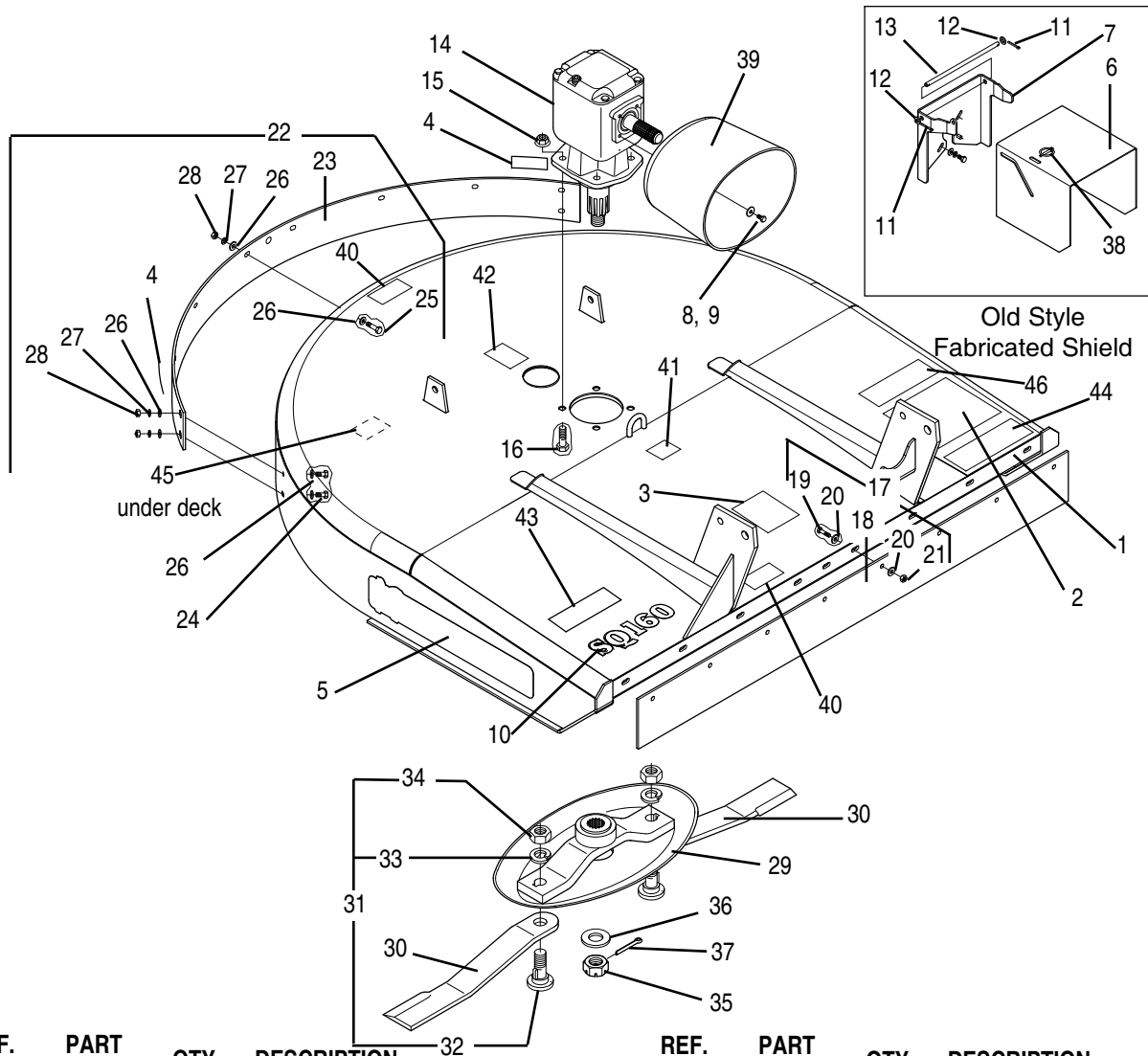
### SQ148 BASE ASSEMBLY



| REF. NO. | PART NO. | QTY. | DESCRIPTION                            |
|----------|----------|------|--|
| 1        | 50055401 | 1    | Red, Deck w/Decals                     |
|          | 50056930 | 1    | N.H. Vibrant Blue, Deck w/Decals       |
|          | 50056929 | 1    | J.D. Green, Deck w/Decals              |
|          | 50056928 | 1    | Kubota Orange, Deck w/Decals           |
|          | 50021099 | 1    | Decal Kit (Items 2-5 and 40-46)        |
|          | 90252    | 1    | Decal Kit (French)                     |
| 2        | D813     | 1    | Decal, Danger - Multilingual           |
| 3        | D614     | 2    | Decal, Danger (Thrown Object Haz.)     |
| 4        | 50031213 | 2    | Red Reflector                          |
| 5        | 50056691 | 2    | Squealer Decal                         |
| 6        | 50055236 | 1    | Cover                                  |
| 7        | 50055080 | 1    | Shield Mount                           |
| 8        | 90560    | 4    | Capscrew M8 x 1.25 x 15 Gr.8.8 w/Patch |
| 9        | 15918BH  | 4    | Flatwasher 1/4"                        |
| 10       | 50055215 | 1    | Model Decal (SQ 148)                   |
| 11       | 15662    | 2    | Cotter Pin, 1/8" x 1"                  |
| 12       | 15830    | 2    | Flatwasher 3/8" SAE                    |
| 13       | 50055238 | 1    | Hinge Rod                              |
| 14       | 71281    | 1    | Gearbox Assembly                       |
| 15       | 20414    | 4    | Locknut 5/8" Flanged                   |
| 16       | —        | 4    | Capscrew 5/8" x 2" Gr.5                |
| 17       | 50017090 | 1    | Front Deflector Kit (18-21)            |
| 18       | 50017094 | 1    | Front Belting                          |
| 19       | —        | 7    | Capscrew 3/8" x 1 1/4" Gr.5            |
| 20       | —        | 14   | Flatwasher 3/8"                        |

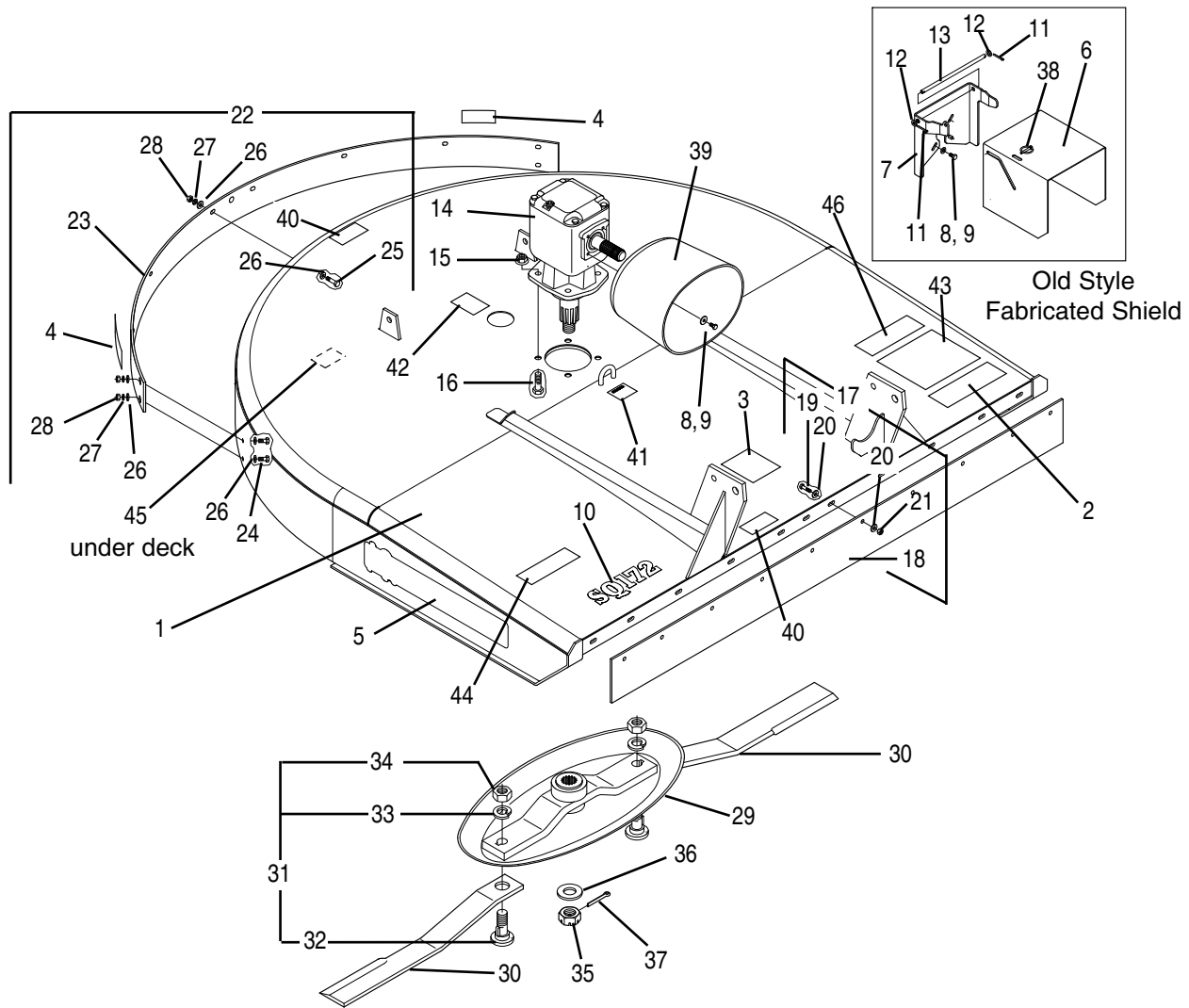
| REF. NO. | PART NO. | QTY. | DESCRIPTION                    |
|----------|----------|------|--------------------------------|
| 21       | 20363    | 7    | Locknut 3/8"                   |
| 22       | 50017089 | 1    | Rear Deflector Kit (23 - 27)   |
| 23       | 50031225 | 1    | Rear Band w/ Reflectors        |
| 24       | —        | 8    | Capscrew 3/8" x 1" Gr.5        |
| 25       | —        | 16   | Flatwasher 3/8"                |
| 26       | —        | 8    | Lockwasher 3/8"                |
| 27       | —        | 8    | Hex Nut 3/8"                   |
| 28       | 50037077 | 1    | Black Blade Bar Weldment       |
| 29       | 50053185 | 2    | Blade 4', Uplift               |
|          | 63760    | 2    | Blade 4'                       |
| 30       | 66516    | 2    | Blade Bolt Kit (31-33)         |
| 31       | 1259     | 2    | Blade Bolt                     |
| 32       | 66       | 2    | Lockwasher 7/8"                |
| 33       | 15626    | 2    | Jam Nut 7/8" NF                |
| 34       | 70694    | 1    | Castle Nut                     |
| 35       | 70695    | 1    | Flatwasher (special)           |
| 36       | 70699    | 1    | Cotter Pin                     |
| 37       | 69391    | 1    | Linch Pin                      |
| 38       | 50068582 | 1    | Pan Weldment                   |
| 39       | 50068436 | 1    | Shield Assy.                   |
| 40       | D547     | 1    | Danger Decal                   |
| 41       | D546     | 1    | Danger Decal                   |
| 42       | D551     | 1    | Blade Rotation Decal CCW       |
| 43       | D549     | 1    | Decal, Danger/Operations       |
| 44       | D559     | 1    | Decal, Genuine B/H Parts       |
| 45       | D590     | 1    | Decal, Lubrication Chart       |
| 46       | D454     | 1    | Decal, Warning (Crushing Haz.) |

### SQ160 BASE ASSEMBLY



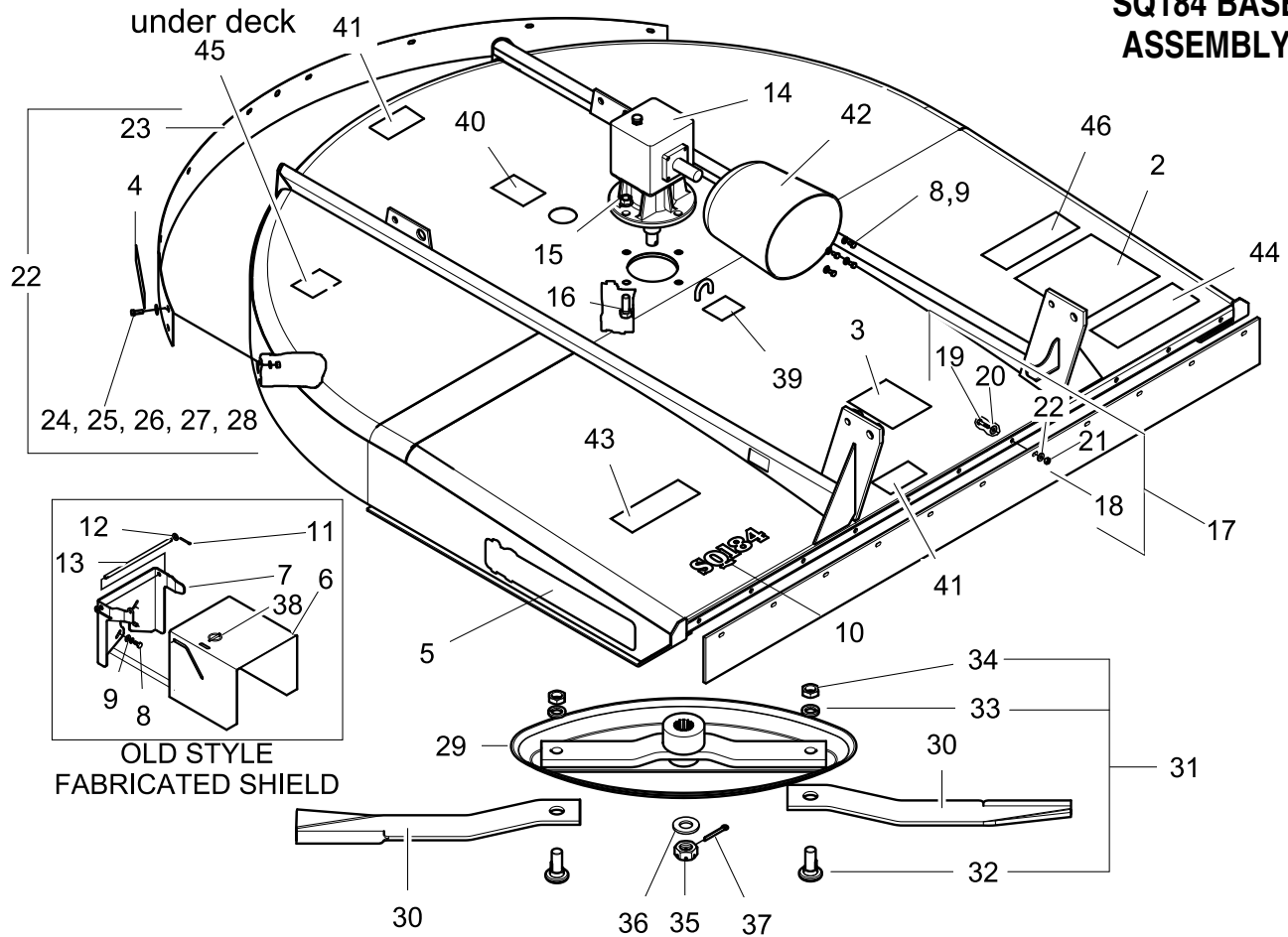
| REF. NO. | PART NO. | QTY. | DESCRIPTION                            | REF. NO. | PART NO. | QTY. | DESCRIPTION                      |
|----------|----------|------|--|----------|----------|------|----------------------------------|
| 1        | 50055414 | 1    | Red, Deck w/Decals                     | 23       | 50031226 | 1    | Rear Band w/ Reflectors          |
|          | 50056933 | 1    | N.H. Vibrant Blue, Deck w/Decals       | 24       | —        | 6    | Capscrew 3/8" x 1" Gr.5          |
|          | 50056932 | 1    | J.D. Green, Deck w/Decals              | 25       | —        | 4    | Capscrew 3/8" x 1-1/2" Gr.5      |
|          | 50056931 | 1    | Kubota Orange, Deck w/Decals           | 26       | —        | 20   | Flatwasher 3/8"                  |
|          | 65689    | 1    | Decal Kit (Items 2-5 & 40-46)          | 27       | —        | 10   | Lockwasher 3/8"                  |
|          | 90252    | 1    | Decal Kit (French)                     | 28       | —        | 10   | Hex Nut 3/8"                     |
| 2        | D549     | 1    | Decal, Danger/Operation                |          | 50017907 | 1    | Deflector Kit Complete (17 & 22) |
| 3        | D547     | 1    | Decal, Danger                          | 29       | 50068588 | 1    | Pan Weldment                     |
| 4        | 50031213 | 2    | Red Reflector                          | 30       | 7555BH   | 2    | Blade 5', Uplift                 |
| 5        | 50056692 | 2    | Squealer Decal                         |          | 36       | 2    | Blade 5' Standard                |
| 6        | 50055052 | 1    | Cover                                  | 31       | 63607    | 2    | Blade Bolt Kit (32-34)           |
| 7        | 50055080 | 1    | Shield Mount                           | 32       | 7919BH   | 2    | Blade Bolt                       |
| 8        | 90560    | 4    | Capscrew M8 x 1.25 x 15 Gr.8.8 w/Patch | 33       | 20322    | 2    | Lockwasher 1-1/8"                |
| 9        | 15918BH  | 4    | Flatwasher 1/4"                        | 34       | 252BH    | 2    | Jam Nut 1-1/8" NF                |
| 10       | 50055104 | 1    | Model Decal (SQ 160)                   | 35       | 70694    | 1    | Castle Nut                       |
| 11       | 15662    | 2    | Cotter Pin, 1/8" x 1"                  | 36       | 70695    | 1    | Flatwasher (special)             |
| 12       | 15830    | 2    | Flatwasher 3/8" SAE                    | 37       | 70699    | 1    | Cotter Pin                       |
| 13       | 50055238 | 1    | Hinge Rod                              | 38       | 69391    | 1    | Linch Pin                        |
| 14       | 50058055 | 1    | Gearbox Assembly                       | 39       | 50068436 | 1    | Shield Assy.                     |
| 15       | 20414    | 4    | Locknut 5/8" Flanged                   | 40       | D614     | 2    | Danger Decal (Thrown Obj. Haz.)  |
| 16       | —        | 4    | Capscrew 5/8" x 2" Gr.5                | 41       | D546     | 1    | Danger Decal                     |
| 17       | 50017906 | 1    | Front Deflector Kit (18-21)            | 42       | D551     | 1    | Blade Rotation Decal CCW         |
| 18       | 50017886 | 1    | Front Belting                          | 43       | D559     | 1    | Decal, Genuine Bush Hog Parts    |
| 19       | —        | 8    | Capscrew 3/8" x 1 1/4" Gr.5            | 44       | D590     | 1    | Decal, Lubrication Chart         |
| 20       | —        | 16   | Flatwasher 3/8"                        | 45       | D454     | 1    | Decal, Warning (Crushing Haz.)   |
| 21       | 20363    | 8    | Locknut 3/8"                           | 46       | D813     | 1    | Decal, Danger - Multilingual     |
| 22       | 50017905 | 1    | Rear Deflector Kit (23-27)             |          |          |      |                                  |

### SQ172 BASE ASSEMBLY



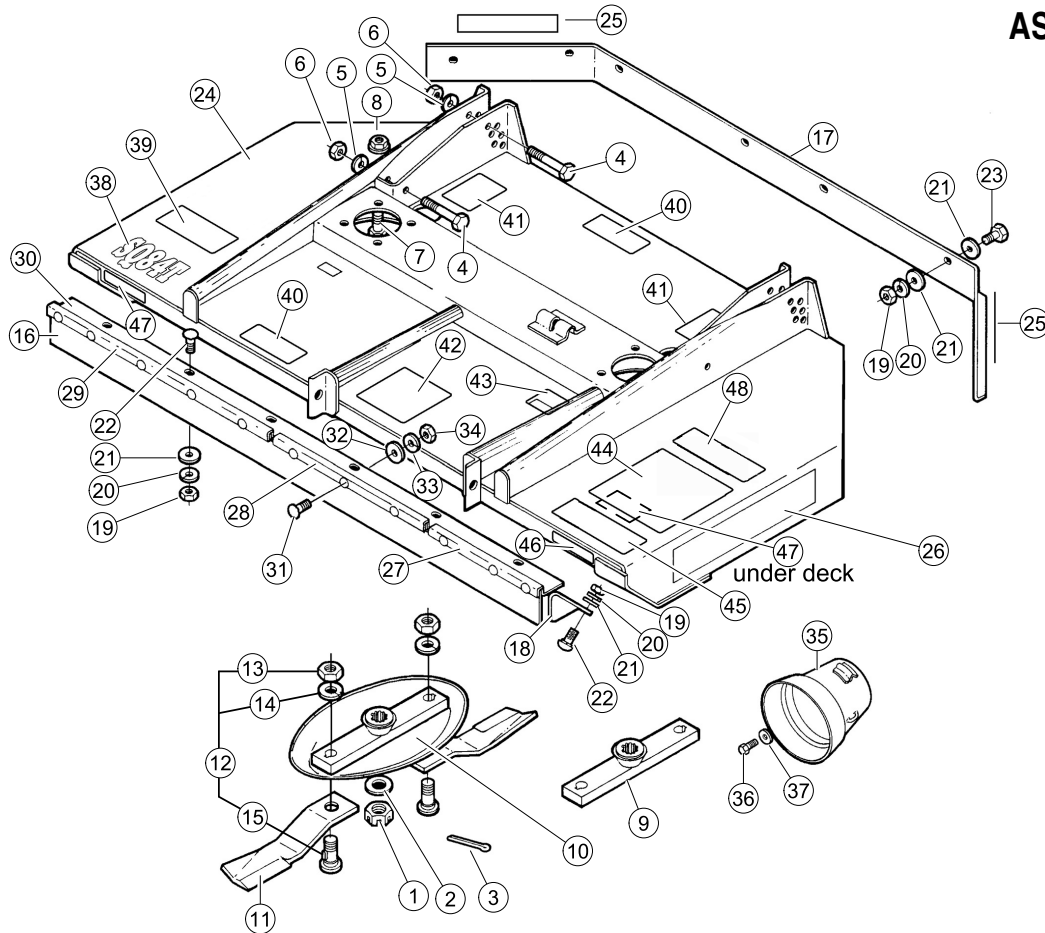
| REF. NO. | PART NO. | QTY. | DESCRIPTION                            | REF. NO. | PART NO. | QTY. | DESCRIPTION                      |
|----------|----------|------|--|----------|----------|------|----------------------------------|
| 1        | 50055427 | 1    | Red, Deck w/Decals                     | 23       | 50031227 | 1    | Rear Band w/ Reflectors          |
|          | 50056936 | 1    | N.H. Vibrant Blue, Deck w/Decals       | 24       | —        | 6    | Capscrew 3/8" x 1" Gr.5          |
|          | 50056935 | 1    | J.D. Green, Deck w/Decals              | 25       | —        | 4    | Capscrew 3/8" x 1-1/2" Gr.5      |
|          | 50056934 | 1    | Kubota Orange, Deck w/Decals           | 26       | —        | 20   | Flatwasher 3/8"                  |
|          | 65689    | 1    | Decal Kit (Items 2-5 & 40-46)          | 27       | —        | 10   | Lockwasher 3/8"                  |
|          | 90252    | 1    | Decal Kit (French)                     | 28       | —        | 10   | Hex Nut 3/8"                     |
| 2        | D590     | 1    | Decal, Lubrication Chart               |          | 50017922 | 1    | Deflector Kit Complete (17 & 22) |
| 3        | D547     | 1    | Decal, Danger                          | 29       | 50068594 | 1    | Pan Weldment                     |
| 4        | 50031213 | 2    | Red Reflector                          | 30       | 7556BH   | 2    | Blade 6', Uplift                 |
| 5        | 50056692 | 2    | Squealer Decal                         |          | 304      | 2    | Blade 6' Standard                |
| 6        | 50055052 | 1    | Cover                                  | 31       | 63607    | 2    | Blade Bolt Kit (32-34)           |
| 7        | 50055080 | 1    | Shield Mount                           | 32       | 7919BH   | 2    | Blade Bolt                       |
| 8        | 90560    | 4    | Capscrew M8 x 1.25 x 15 Gr.8.8 w/Patch | 33       | 20322    | 2    | Lockwasher 1-1/8"                |
| 9        | 15918BH  | 4    | Flatwasher 1/4"                        | 34       | 252BH    | 2    | Jam Nut 1-1/8" NF                |
| 10       | 50055094 | 1    | Model Decal (SQ 172)                   | 35       | 70694    | 1    | Castle Nut                       |
| 11       | 15662    | 2    | Cotter Pin, 1/8" x 1"                  | 36       | 70695    | 1    | Flatwasher (special)             |
| 12       | 15830    | 2    | Flatwasher 3/8" SAE                    | 37       | 70699    | 1    | Cotter Pin                       |
| 13       | 50055238 | 1    | Hinge Rod                              | 38       | 69391    | 1    | Linch Pin                        |
| 14       | 71282    | 1    | Gearbox Assembly                       | 39       | 50068436 | 1    | Shield Assy.                     |
| 15       | 20414    | 4    | Locknut 5/8" Flanged                   | 40       | D614     | 2    | Danger Decal (Thrown Obj. Haz.)  |
| 16       | —        | 4    | Capscrew 5/8" x 2" Gr.5                | 41       | D546     | 1    | Danger Decal                     |
| 17       | 50017921 | 1    | Front Deflector Kit (18-21)            | 42       | D551     | 1    | Blade Rotation Decal CCW         |
| 18       | 50017896 | 1    | Front Belting                          | 43       | D549     | 1    | Decal, Danger/Operation          |
| 19       | —        | 10   | Capscrew 3/8" x 1 1/4" Gr.5            | 44       | D559     | 1    | Decal, Genuine Bush Hog Parts    |
| 20       | —        | 20   | Flatwasher 3/8"                        | 45       | D454     | 1    | Decal, Warning (Crushing Haz.)   |
| 21       | 20363    | 10   | Locknut 3/8"                           | 46       | D813     | 1    | Decal, Danger - Multilingual     |
| 22       | 50017920 | 1    | Rear Deflector Kit (23 - 27)           |          |          |      |                                  |

**SQ184 BASE ASSEMBLY**



| REF. NO. | PART NO. | QTY. | DESCRIPTION                            | REF. NO. | PART NO. | QTY. | DESCRIPTION                      |
|----------|----------|------|--|----------|----------|------|----------------------------------|
| 1        | 50055432 | 1    | Red, Deck w/Decals                     | 22       | 50017055 | 1    | Rear Deflector Kit (23 - 28)     |
|          | 50056939 | 1    | N.H. Vibrant Blue, Deck w/Decals       | 23       | 50031228 | 1    | Rear Band w/ Reflectors          |
|          | 50056938 | 1    | J.D. Green, Deck w/Decals              | 24       | 20034    | 6    | Capscrew 3/8" x 1" Gr.5          |
|          | 50056937 | 1    | Kubota Orange, Deck w/Decals           | 25       | 20881    | 4    | Capscrew 3/8" x 1-1/2" Gr.5      |
|          | 65689    | 1    | Decal Kit (Items 2-5 & 39-46)          | 26       | 15915BH  | 20   | Flatwasher 3/8"                  |
|          | 90252    | 1    | Decal Kit (French)                     | 27       | 15812    | 10   | Lockwasher 3/8"                  |
| 2        | D549     | 1    | Decal, Danger/Operation                | 28       | 8151200  | 10   | Hex Nut 3/8"                     |
| 3        | D547     | 1    | Decal, Danger                          |          | 50017057 | 1    | Deflector Kit Complete (17 & 22) |
| 4        | 50031214 | 2    | Red Reflector                          | 29       | 50037186 | 1    | Pan Weldment                     |
| 5        | 50056692 | 2    | Squealer Decal                         | 30       | 7557BH   | 2    | Blade 7', Uplift                 |
| 6        | 50055052 | 1    | Cover                                  | 31       | 63607    | 2    | Blade Bolt Kit (31-33)           |
| 7        | 50055080 | 1    | Shield Mount                           | 32       | 7919BH   | 2    | Blade Bolt                       |
| 8        | 90560    | 4    | Capscrew M8 x 1.25 x 15 Gr.8.8 w/Patch | 33       | 20322    | 2    | Lockwasher 1-1/8"                |
| 9        | 44216    | 4    | Flatwasher M8                          | 34       | 252BH    | 2    | Jam Nut 1-1/8" NF                |
| 10       | 50055079 | 1    | Model Decal (SQ 184)                   | 35       | 92387    | 1    | Castle Nut M30                   |
| 11       | 15662    | 2    | Cotter Pin, 1/8" x 1"                  | 36       | 70900    | 1    | Flatwasher (Special)             |
| 12       | 15830    | 2    | Flatwasher 3/8" SAE                    | 37       | 15473    | 1    | Cotter Pin                       |
| 13       | 50055238 | 1    | Hinge Rod                              | 38       | 69391    | 1    | Linch Pin                        |
| 14       | 71372    | 1    | Gearbox Assembly                       | 39       | D546     | 1    | Danger Decal                     |
| 15       | 20299    | 4    | Locknut 3/4" Flanged                   | 40       | D551     | 1    | Blade Rotation Decal CCW         |
| 16       | 20202    | 4    | Capscrew 3/4" x 2" Gr.5                | 41       | D614     | 2    | Danger Decal (Thrown Obj. Haz.)  |
| 17       | 50017056 | 1    | Front Deflector Kit (18-21)            | 42       | 81592    | 1    | Input Shield                     |
| 18       | 50017044 | 1    | Front Belting                          | 43       | D559     | 1    | Decal, Genuine Bush Hog Parts    |
| 19       |          | 11   | Capscrew 3/8" x 3" Gr.5                | 44       | D590     | 1    | Decal, Lubrication Chart         |
| 20       | 15915BH  | 22   | Flatwasher 3/8"                        | 45       | D454     | 1    | Decal, Warning (Crushing Haz.)   |
| 21       | 20363    | 11   | Locknut 3/8"                           | 46       | D813     | 1    | Decal, Danger - Multilingual     |

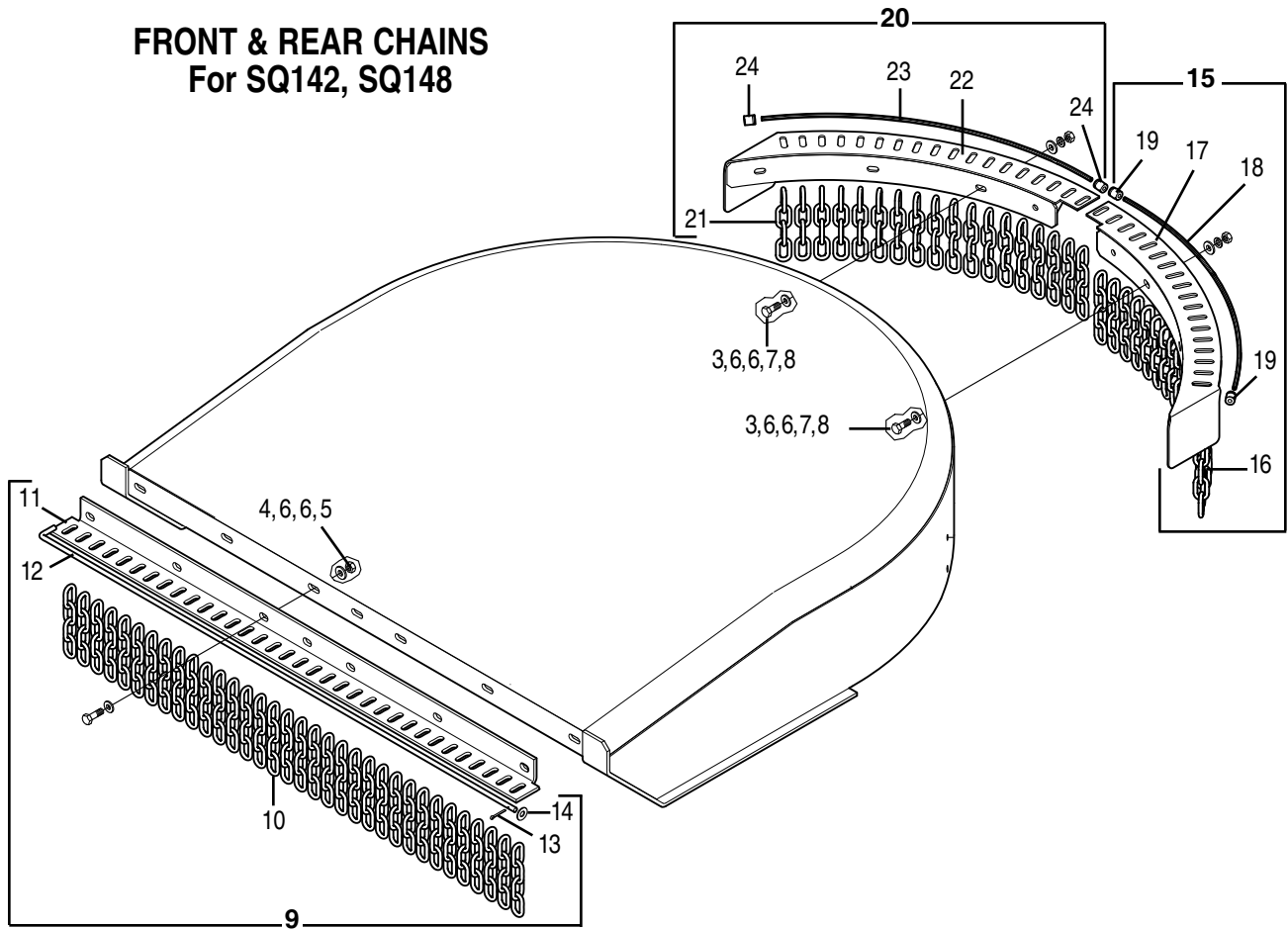
**SQ84T BASE ASSEMBLY**



| REF. NO. | PART NO. | DESCRIPTION                  | QTY. | REF. NO. | PART NO. | DESCRIPTION                     | QTY. |
|----------|----------|------------------------------|------|----------|----------|---------------------------------|------|
| 1        | 70076    | Blade Nut                    | 1    | 24       | 78805    | Deck Weld. w/Decals (Red)       | 1    |
| 2        | 70077    | Flatwasher                   | 1    |          | 50056671 | Deck Weld. w/Decals (Orange)    | 1    |
| 3        | 70075    | Cotter Pin                   | 1    |          | 50056672 | Deck Weld. w/Decals (Green)     | 1    |
| 4        | -----    | Capscrew 5/8" x 3-3/4" Gr.5  | 4    |          | 50056673 | Deck Weld. w/Decals (Blue)      | 1    |
| 5        | -----    | Lockwasher 5/8"              | 4    | 25       | 50031214 | Red Reflector                   | 2    |
| 6        | -----    | Hex Nut 5/8"                 | 4    | 26       | 50056692 | Squealer Decal                  | 2    |
| 7        | -----    | Capscrew 5/8" x 2" Gr.5      | 8    | 27       | 79360    | Belt Cover LH                   | 1    |
| 8        | -----    | Locknut, Flanged             | 8    | 28       | 79362    | Belt Cover Center               | 1    |
| 9        | 83187    | Blade Bar Weldment           | 2    | 29       | 79361    | Belt Cover RH                   | 1    |
| 10       | 50031068 | Blade Pan Weldment           | 2    | 30       | 79365    | Belting Support                 | 1    |
| 11       | 67744    | Blade CCW - Uplift           | 4    | 31       | -----    | Carriage Bolt 5/16" x 1"        | 11   |
| 12       | 63607    | Blade Bolt Kit               | 4    | 32       | -----    | Flatwasher 5/16"                | 11   |
| 13       | 252BH    | Lambnut 1-1/8"               | 4    | 33       | -----    | Lockwasher 5/16"                | 11   |
| 14       | 20322    | Lockwasher 1-1/8"            | 4    | 34       | -----    | Hex Nut 5/16"                   | 11   |
| 15       | 7919BH   | Blade Bolt                   | 4    | 35       | 50068436 | Gearbox Shield                  | 1    |
| 16       | 79359    | Belting, Front               | 1    | 36       | 90560    | Capscrew M8 x 1.25 x 15 w/patch | 4    |
| 17       | 79005    | Band, Rear                   | 1    | 37       | -----    | Flatwasher 1/4"                 | 4    |
| 18       | 79363    | Side Shield LH (Shown)       | 1    | 38       | 50021265 | Model Decal                     | 1    |
|          | 79364    | Side Shield RH               | 1    | 39       | D559     | Decal, Gen. BH Parts            | 1    |
| 19       | -----    | Hex Nut 3/8"                 | 18   | 40       | D614     | Decal, Danger-Thrown Obj's.     | 2    |
| 20       | -----    | Lockwasher 3/8"              | 18   | 41       | D551     | Decal, BladeRotation CCW        | 2    |
| 21       | -----    | Flatwasher 3/8"              | 30   | 42       | D547     | Decal, Danger                   | 1    |
| 22       | -----    | Carriage Bolt 3/8" x 1" Gr.5 | 10   | 43       | D546     | Decal, Danger - Guard Missing   | 1    |
| 23       | -----    | Capscrew 3/8" x 1" Gr.5      | 8    | 44       | D549     | Decal, Sheet - General Hazard   | 1    |
|          |          |                              |      | 45       | D581     | Lube Decal                      | 1    |
|          |          |                              |      | 46       | 53315    | Amber Reflectors                | 2    |
|          |          |                              |      | 47       | D454     | Decal, Warning (Crushing Haz.)  | 1    |
|          |          |                              |      | 48       | D813     | Decal, Danger - Multilingual    | 1    |

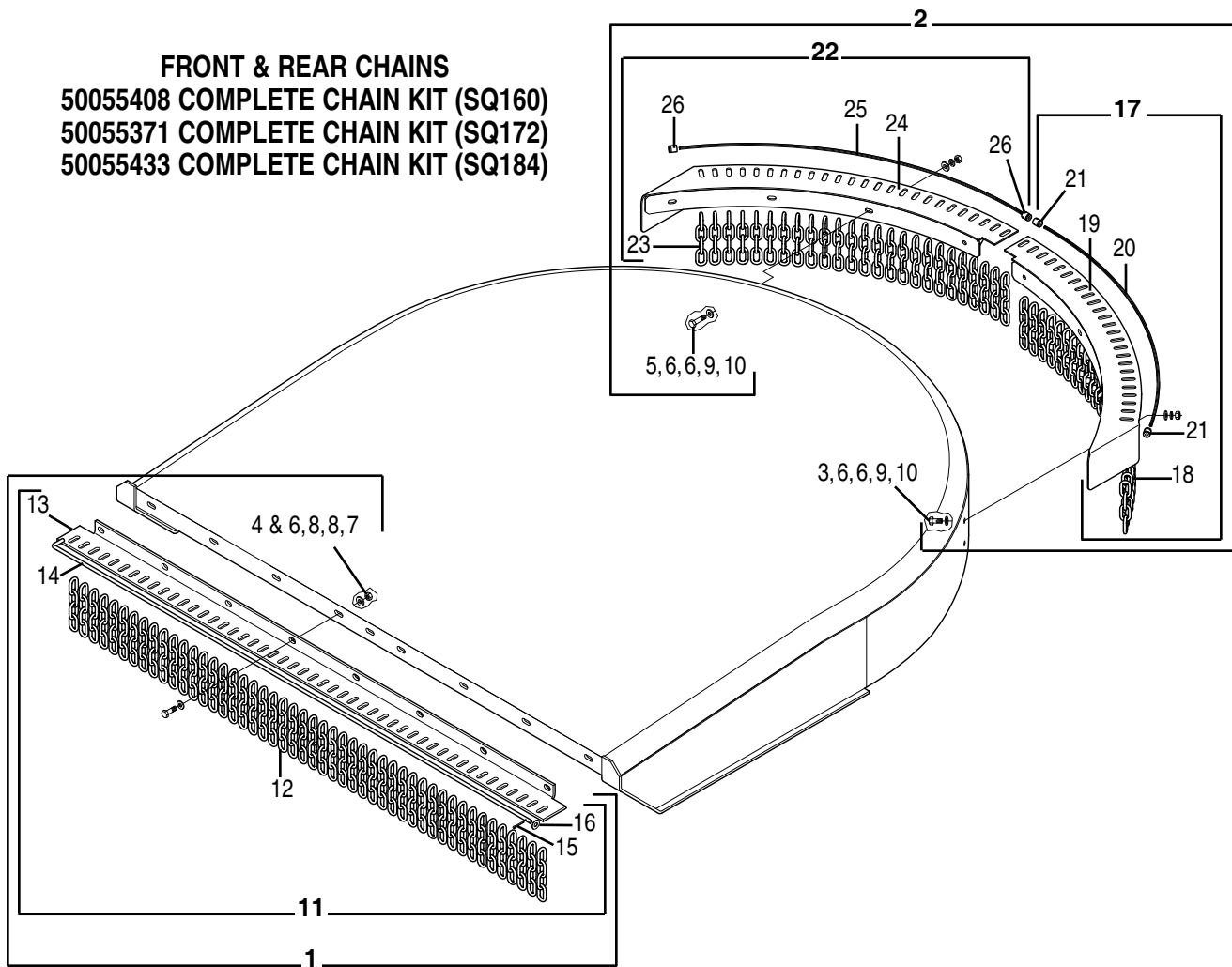


### FRONT & REAR CHAINS For SQ142, SQ148



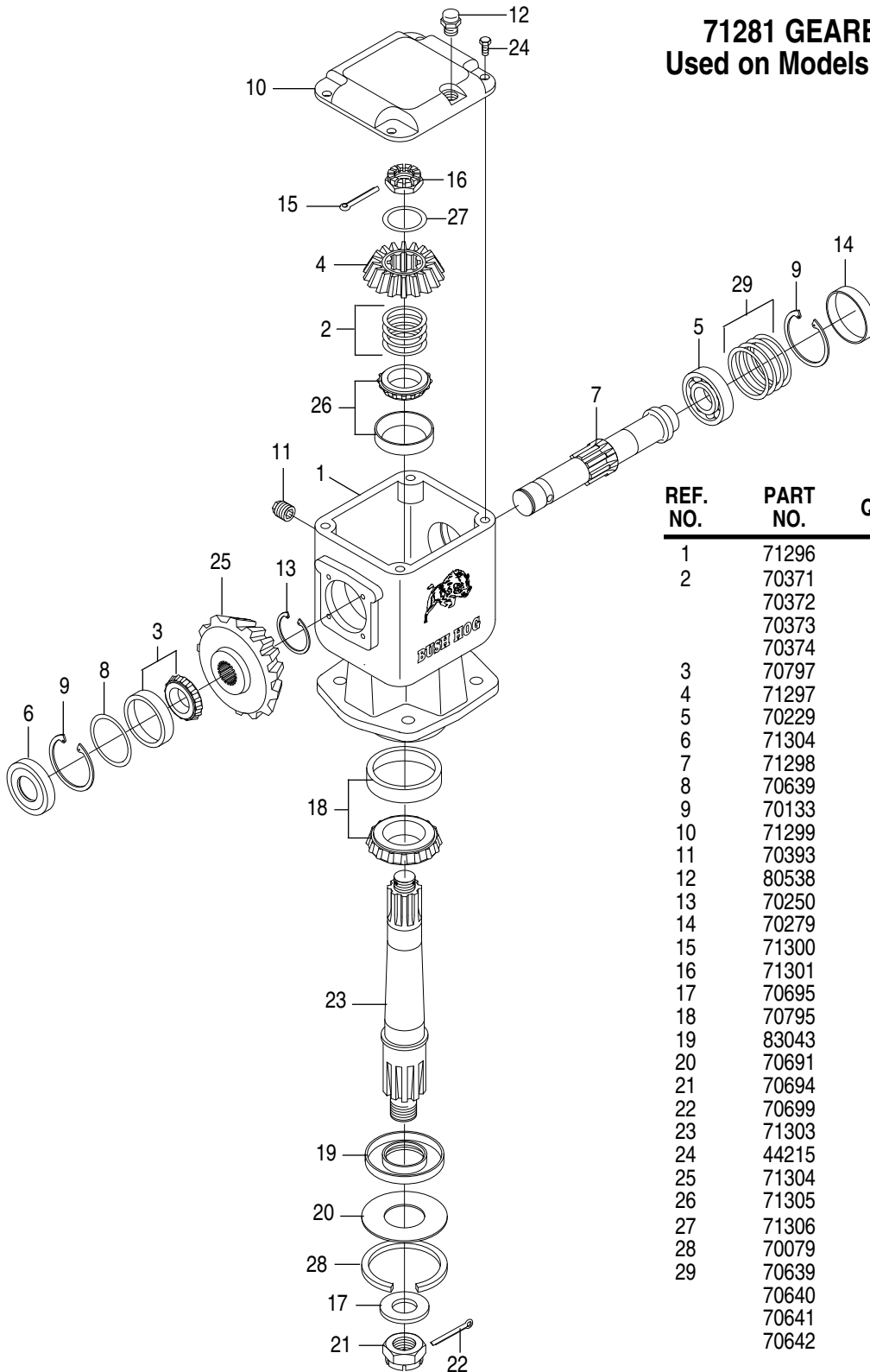
| Ref. No. | Part No.       |                | Qty.         |          | Description                     |
|----------|----------------|----------------|--------------|----------|---------------------------------|
|          | 3-1/2' SQ142   | 4' SQ148       | 3-1/2' SQ142 | 4' SQ148 |                                 |
| 3        | —              | —              | 8            | 8        | Capscrew 3/8" x 1"              |
| 4        | —              | —              | 7            | 7        | Capscrew 3/8" x 1-1/4"          |
| 5        | 20363          | 20363          | 7            | 7        | Lock Nut 3/8"                   |
| 6        | —              | —              | 30           | 30       | Flatwasher 3/8"                 |
| 7        | —              | —              | 8            | 8        | Lockwasher 3/8"                 |
| 8        | —              | —              | 8            | 8        | Hex Nut 3/8"                    |
| 9        | <b>5005370</b> | <b>5005388</b> | <b>1</b>     | <b>1</b> | <b>Front Chain Assembly</b>     |
| 10       | 50053111       | 50053111       | 34           | 39       | Chain, 4 Link                   |
| 11       | 50055450       | 50055458       | 1            | 1        | Chain Bracket                   |
| 12       | 50055451       | 50055459       | 1            | 1        | Retainer Rod                    |
| 13       | 15662          | 15662          | 1            | 1        | Cotter Pin 1/8" x 1"            |
| 14       | —              | —              | 1            | 1        | Flatwasher 3/8"                 |
| 15       | <b>5005268</b> | <b>5005390</b> | <b>1</b>     | <b>1</b> | <b>L.H. Rear Chain Assembly</b> |
| 16       | 50053111       | 50053111       | 18           | 20       | Chain, 4 Link                   |
| 17       | 50055456       | 50055460       | 1            | 1        | L.H. Rear Chain Weldment        |
| 18       | 50055455       | 50055463       | 1            | 1        | Chain Cable, 7 x 7              |
| 19       | 50050408       | 50050408       | 2            | 2        | Stop Sleeve                     |
| 20       | <b>5005269</b> | <b>5005389</b> | <b>1</b>     | <b>1</b> | <b>R.H. Rear Chain Assembly</b> |
| 21       | 50053111       | 50053111       | 18           | 20       | Chain, 4 Link                   |
| 22       | 50055452       | 50055464       | 1            | 1        | R.H. Rear Chain Weldment        |
| 23       | 50055455       | 50055463       | 1            | 1        | Chain Cable, 7 x 7              |
| 24       | 50050408       | 50050408       | 2            | 2        | Stop Sleeve                     |

**FRONT & REAR CHAINS**  
**50055408 COMPLETE CHAIN KIT (SQ160)**  
**50055371 COMPLETE CHAIN KIT (SQ172)**  
**50055433 COMPLETE CHAIN KIT (SQ184)**



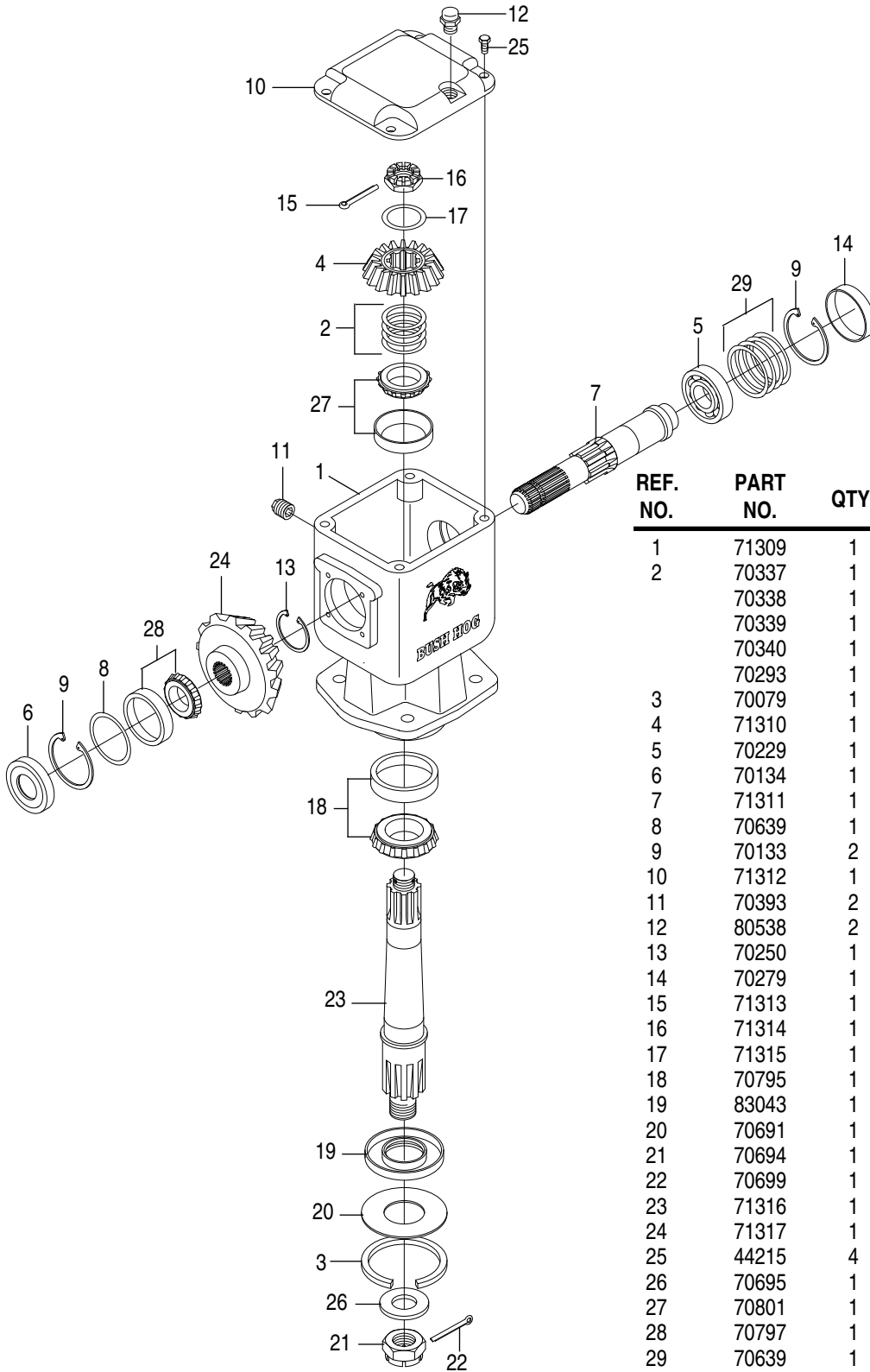
| Ref. No. | Part No. |          |          | Qty.     |          |          | Description                     |
|----------|----------|----------|----------|----------|----------|----------|---------------------------------|
|          | 5' SQ160 | 6' SQ172 | 7' SQ184 | 5' SQ160 | 6' SQ172 | 7' SQ184 |                                 |
| 1        | 50055410 | 50055372 | 50055435 | 1        | 1        | 1        | <b>Front Chain Kit</b>          |
| 2        | 50055409 | 50055373 | 50055434 | 1        | 1        | 1        | <b>Rear Chain Kit</b>           |
| 3        | —        | —        | —        | 4        | 4        | 4        | Capscrew 3/8" x 1"              |
| 4        | —        | —        | —        | 8        | 8        | —        | Capscrew 3/8" x 1-1/4"          |
| 5        | —        | —        | —        | 4        | 4        | 4        | Capscrew 3/8" x 1-1/2"          |
| 6        | —        | —        | —        | —        | —        | 11       | Capscrew 3/8" x 3"              |
| 7        | —        | —        | —        | 8        | 10       | 11       | Lock Nut 3/8"                   |
| 8        | —        | —        | —        | 32       | 36       | 38       | Flatwasher 3/8"                 |
| 9        | —        | —        | —        | 8        | 8        | 8        | Lockwasher 3/8"                 |
| 10       | —        | —        | —        | 8        | 8        | 8        | Hex Nut 3/8"                    |
| 11       | 50055413 | 50055374 | 50055481 | 1        | 1        | 1        | <b>Front Chain Assembly</b>     |
| 12       | 50053111 | 50053111 | 50053111 | 48       | 59       | 68       | Chain, 4 Link                   |
| 13       | 50055468 | 50055375 | 50055482 | 1        | 1        | 1        | Chain Bracket                   |
| 14       | 50055470 | 50018916 | 50055483 | 1        | 1        | 1        | Retainer Rod                    |
| 15       | 15662    | 15662    | 15662    | 1        | 1        | 1        | Cotter Pin 1/8" x 1"            |
| 16       | —        | —        | —        | 1        | 1        | 1        | Flatwasher 3/8"                 |
| 17       | 50055412 | 50055376 | 50055438 | 1        | 1        | 1        | <b>L.H. Rear Chain Assembly</b> |
| 18       | 50053111 | 50053111 | 50053111 | 25       | 30       | 34       | Chain, 4 Link                   |
| 19       | 50055472 | 50055378 | 50055479 | 1        | 1        | 1        | L.H. Rear Chain Weldment        |
| 20       | 50055471 | 50055377 | 50055480 | 1        | 1        | 1        | Chain Cable, 7 x 7              |
| 21       | 50050408 | 50050408 | 50050408 | 2        | 2        | 2        | Stop Sleeve                     |
| 22       | 50055411 | 50055382 | 50055437 | 1        | 1        | 1        | <b>R.H. Rear Chain Assembly</b> |
| 23       | 50053111 | 50053111 | 50053111 | 26       | 30       | 34       | Chain, 4 Link                   |
| 24       | 50055476 | 50055383 | 50055484 | 1        | 1        | 1        | R.H. Rear Chain Weldment        |
| 25       | 50055471 | 50055377 | 50055480 | 1        | 1        | 1        | Chain Cable, 7 x 7              |
| 26       | 50050408 | 50050408 | 50050408 | 2        | 2        | 2        | Stop Sleeve                     |

**71281 GEARBOX (540 RPM)  
Used on Models SQ 142 & SQ 148**



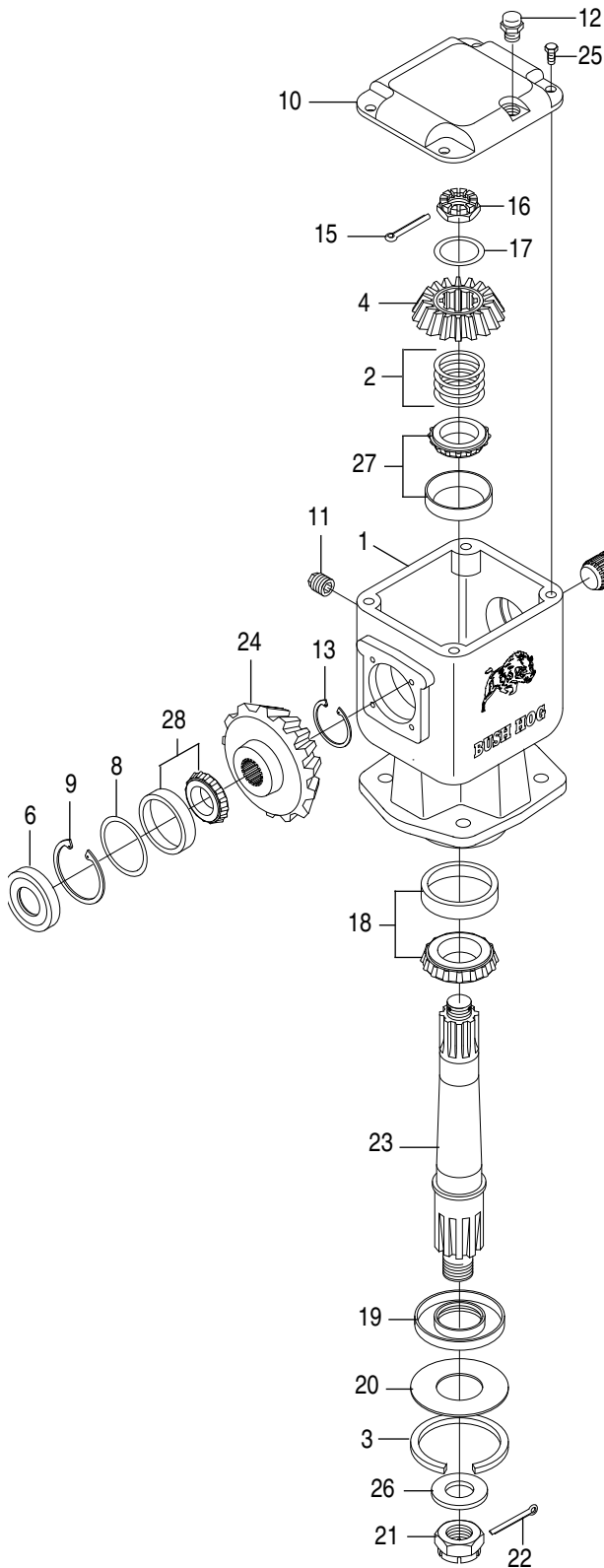
| REF. NO. | PART NO. | QTY. | DESCRIPTION            |
|----------|----------|------|------------------------|
| 1        | 71296    | 1    | Casting                |
| 2        | 70371    | 1    | Shim 43 x 30.3 x .3    |
|          | 70372    | 1    | Shim 43 x 30.3 x .4    |
|          | 70373    | 1    | Shim 43 x 30.3 x .5    |
|          | 70374    | 1    | Shim 43 x 30.3 x 1     |
| 3        | 70797    | 1    | Roller Bearing         |
| 4        | 71297    | 1    | Gear, Pinion, 13 Teeth |
| 5        | 70229    | 1    | Ball Bearing 6207      |
| 6        | 71304    | 1    | Oil Seal               |
| 7        | 71298    | 1    | Input Shaft            |
| 8        | 70639    | 1    | Shim 60.3 x 71.7 x .3  |
| 9        | 70133    | 2    | Snap Ring              |
| 10       | 71299    | 1    | Top Plate              |
| 11       | 70393    | 2    | Gas Plug               |
| 12       | 80538    | 2    | Vent Plug              |
| 13       | 70250    | 1    | Snap Ring              |
| 14       | 70279    | 1    | Plug                   |
| 15       | 71300    | 1    | Cotter Pin             |
| 16       | 71301    | 1    | Castle Nut M20 x 1     |
| 17       | 70695    | 1    | Flatwasher 25 x 44 x 4 |
| 18       | 70795    | 1    | Roller Bearing         |
| 19       | 83043    | 1    | Oil Seal 40 x 80 x 12  |
| 20       | 70691    | 1    | Protective Washer      |
| 21       | 70694    | 1    | Castle Nut M24 x 2     |
| 22       | 70699    | 1    | Cotter Pin 5 x 50      |
| 23       | 71303    | 1    | Output Shaft           |
| 24       | 44215    | 4    | Bolt, M8 x 1.25 x 15   |
| 25       | 71304    | 1    | Gear, Crown, 25 Spline |
| 26       | 71305    | 1    | Roller Bearing         |
| 27       | 71306    | 1    | Flatwasher 1 x 37 x 1  |
| 28       | 70079    | 1    | Snap Ring              |
| 29       | 70639    | 1    | Shim 60.3 x 71.7 x .3  |
|          | 70640    | 2    | Shim 60.3 x 71.7 x .4  |
|          | 70641    | 2    | Shim 60.3 x 71.7 x .5  |
|          | 70642    | 2    | Shim 60.3 x 71.7 x 1.0 |

### 71282 GEARBOX ASSEMBLY (540 RPM) Used on Models SQ 172



| REF. NO. | PART NO. | QTY. | DESCRIPTION              |
|----------|----------|------|--------------------------|
| 1        | 71309    | 1    | Casting                  |
| 2        | 70337    | 1    | Shim 40.3 x 51.5 x .3    |
|          | 70338    | 1    | Shim 40.3 x 51.5 x .4    |
|          | 70339    | 1    | Shim 40.3 x 51.5 x .5    |
|          | 70340    | 1    | Shim 40.3 x 51.5 x 1     |
|          | 70293    | 1    | Washer                   |
| 3        | 70079    | 1    | Snap Ring                |
| 4        | 71310    | 1    | Gear, Pinion, 15 Teeth   |
| 5        | 70229    | 1    | Ball Bearing 6207        |
| 6        | 70134    | 1    | Oil Seal                 |
| 7        | 71311    | 1    | Input Shaft              |
| 8        | 70639    | 1    | Shim 60.3 x 71.7 x .3    |
| 9        | 70133    | 2    | Snap Ring                |
| 10       | 71312    | 1    | Top Plate                |
| 11       | 70393    | 2    | Gas Plug                 |
| 12       | 80538    | 2    | Vent Plug                |
| 13       | 70250    | 1    | Snap Ring                |
| 14       | 70279    | 1    | Plug                     |
| 15       | 71313    | 1    | Cotter Pin               |
| 16       | 71314    | 1    | Castle Nut M24 x 1.5     |
| 17       | 71315    | 1    | Flatwasher 25 x 48 x 2.5 |
| 18       | 70795    | 1    | Roller Bearing           |
| 19       | 83043    | 1    | Oil Seal 40 x 80 x 12    |
| 20       | 70691    | 1    | Protective Washer        |
| 21       | 70694    | 1    | Castle Nut M24 x 2       |
| 22       | 70699    | 1    | Cotter Pin 5 x 50        |
| 23       | 71316    | 1    | Output Shaft             |
| 24       | 71317    | 1    | Gear, Crown, 22 Splines  |
| 25       | 44215    | 4    | Bolt, M8 x 1.25 x 15     |
| 26       | 70695    | 1    | Flatwasher 25 x 44 x 4   |
| 27       | 70801    | 1    | Roller Bearing           |
| 28       | 70797    | 1    | Roller Bearing           |
| 29       | 70639    | 1    | Shim 60.3 x 71.7 x .3    |
|          | 70640    | 2    | Shim 60.3 x 71.7 x .4    |
|          | 70641    | 2    | Shim 60.3 x 71.7 x .5    |
|          | 70642    | 2    | Shim 60.3 x 71.7 x 1.0   |

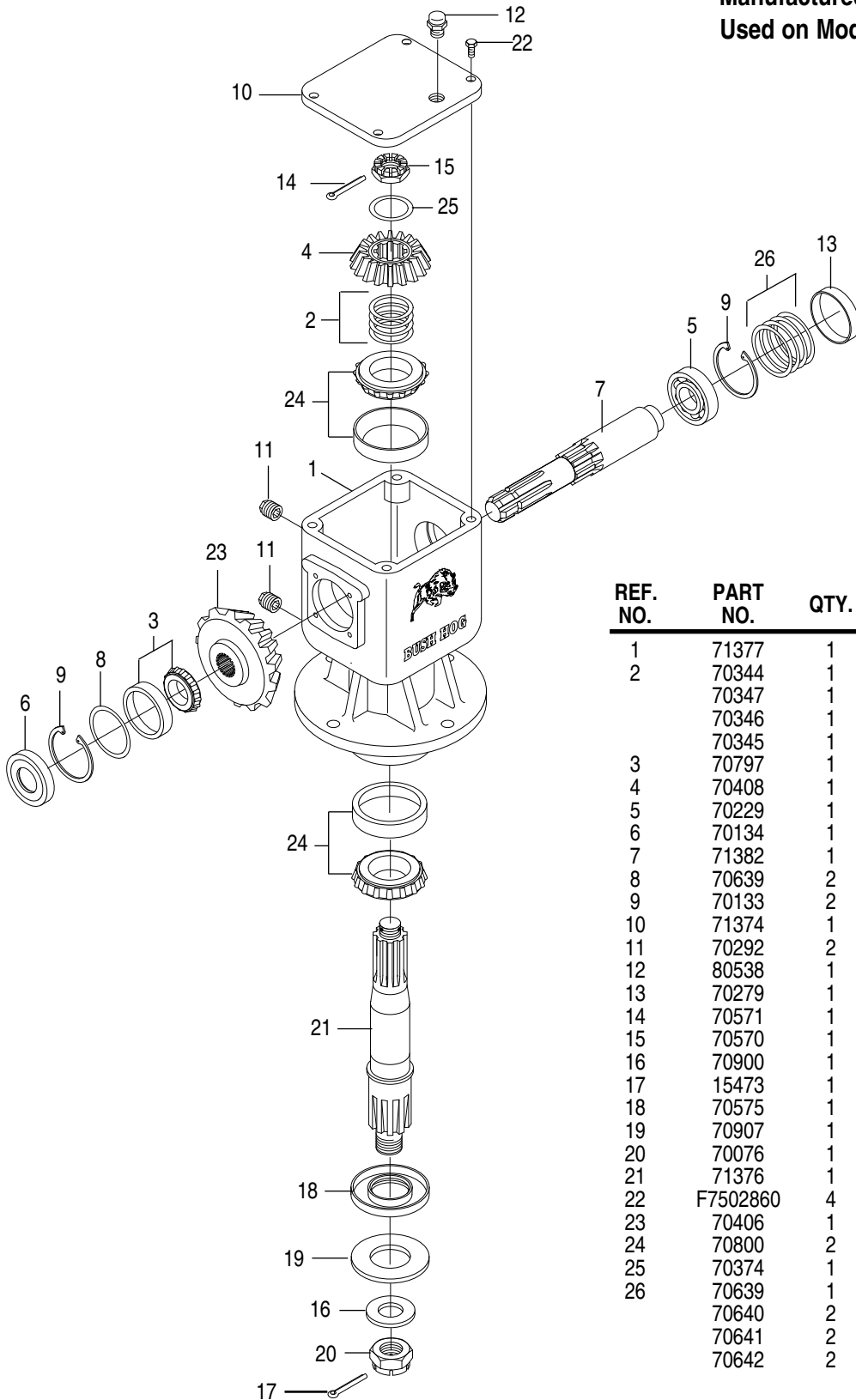
**71283 GEARBOX ASSEMBLY (540 RPM)  
(REPLACED BY 50058055 GEARBOX ASSEMBLY)  
Used on Models SQ 160**



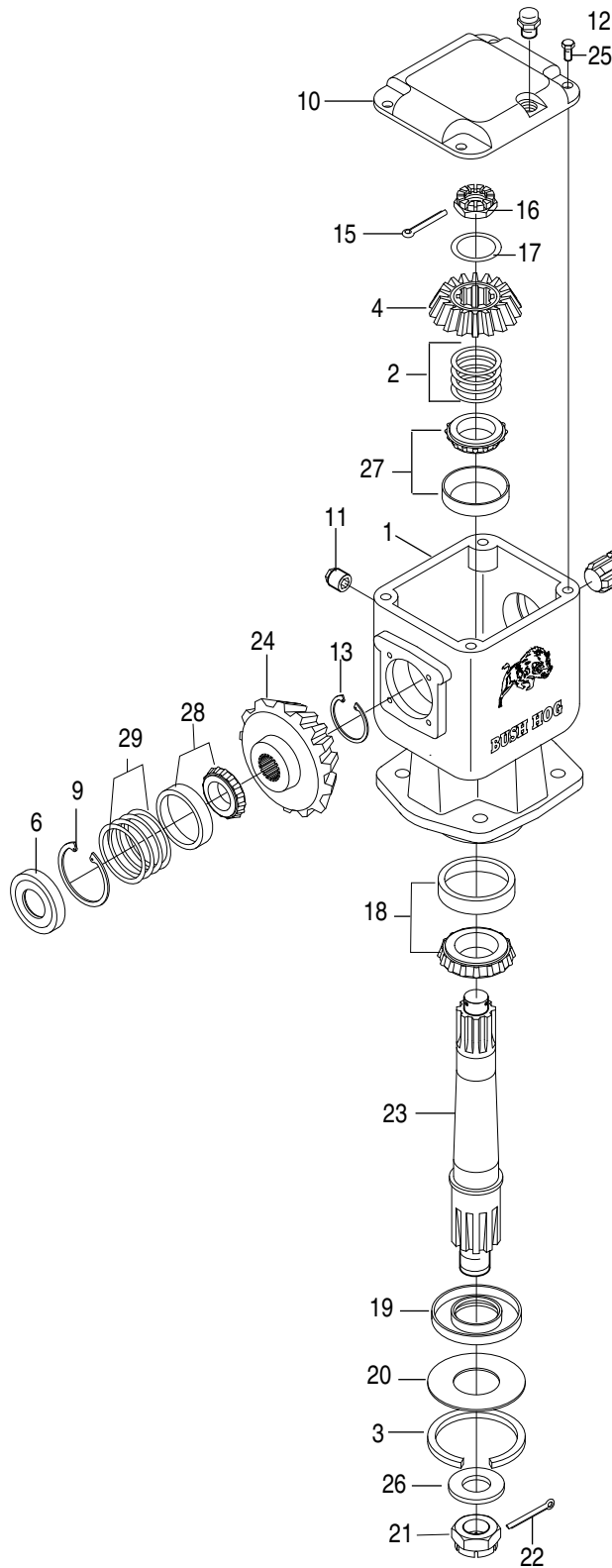
| REF. NO. | PART NO. | QTY. | DESCRIPTION              |
|----------|----------|------|--------------------------|
| 1        | 71309    | 1    | Casting                  |
| 2        | 70329    | 1    | Shim 35.3 x 48 x .3      |
|          | 70330    | 1    | Shim 35.3 x 48 x .4      |
|          | 70331    | 1    | Shim 35.3 x 48 x .5      |
|          | 70332    | 1    | Shim 35.3 x 48 x 1.0     |
|          | F7502811 | 1    | Shim 35.3 x 48 x 2.5     |
| 3        | 70079    | 1    | Snap Ring                |
| 4        | 71307    | 1    | Gear, Pinion, 13 Teeth   |
| 5        | 70229    | 1    | Ball Bearing 6207        |
| 6        | 70134    | 1    | Oil Seal                 |
| 7        | 71311    | 1    | Input Shaft              |
| 8        | 70639    | 1    | Shim 60.3 x 71.7 x .3    |
| 9        | 70133    | 2    | Snap Ring                |
| 10       | 71312    | 1    | Top Plate                |
| 11       | 70639    | 2    | Gas Plug                 |
| 12       | 80538    | 2    | Vent Plug                |
| 13       | 70250    | 1    | Snap Ring                |
| 14       | 70279    | 1    | Plug                     |
| 15       | 71313    | 1    | Cotter Pin               |
| 16       | 71314    | 1    | Castle Nut M24 x 1.5     |
| 17       | 71315    | 1    | Flatwasher 25 x 48 x 2.5 |
| 18       | 70795    | 1    | Roller Bearing           |
| 19       | 83043    | 1    | Oil Seal 40 x 80 x 12    |
| 20       | 70691    | 1    | Protective Washer        |
| 21       | 70694    | 1    | Castle Nut M24 x 2       |
| 22       | 70699    | 1    | Cotter Pin 5 x 50        |
| 23       | 71316    | 1    | Output Shaft             |
| 24       | 71308    | 1    | Gear, Crown, 22 Spline   |
| 25       | 44215    | 4    | Bolt, M8 x 1.25 x 15     |
| 26       | 70695    | 1    | Flatwasher 25 x 44 x 4   |
| 27       | 70801    | 1    | Roller Bearing           |
| 28       | 70797    | 1    | Roller Bearing           |
| 29       | 70639    | 1    | Shim 60.3 x 71.7 x .3    |
|          | 70640    | 2    | Shim 60.3 x 71.7 x .4    |
|          | 70641    | 2    | Shim 60.3 x 71.7 x .5    |
|          | 70642    | 2    | Shim 60.3 x 71.7 x 1.0   |

**71372 GEARBOX ASSEMBLY (540 RPM)**

**Manufactured by Comer  
Used on Models SQ 184**



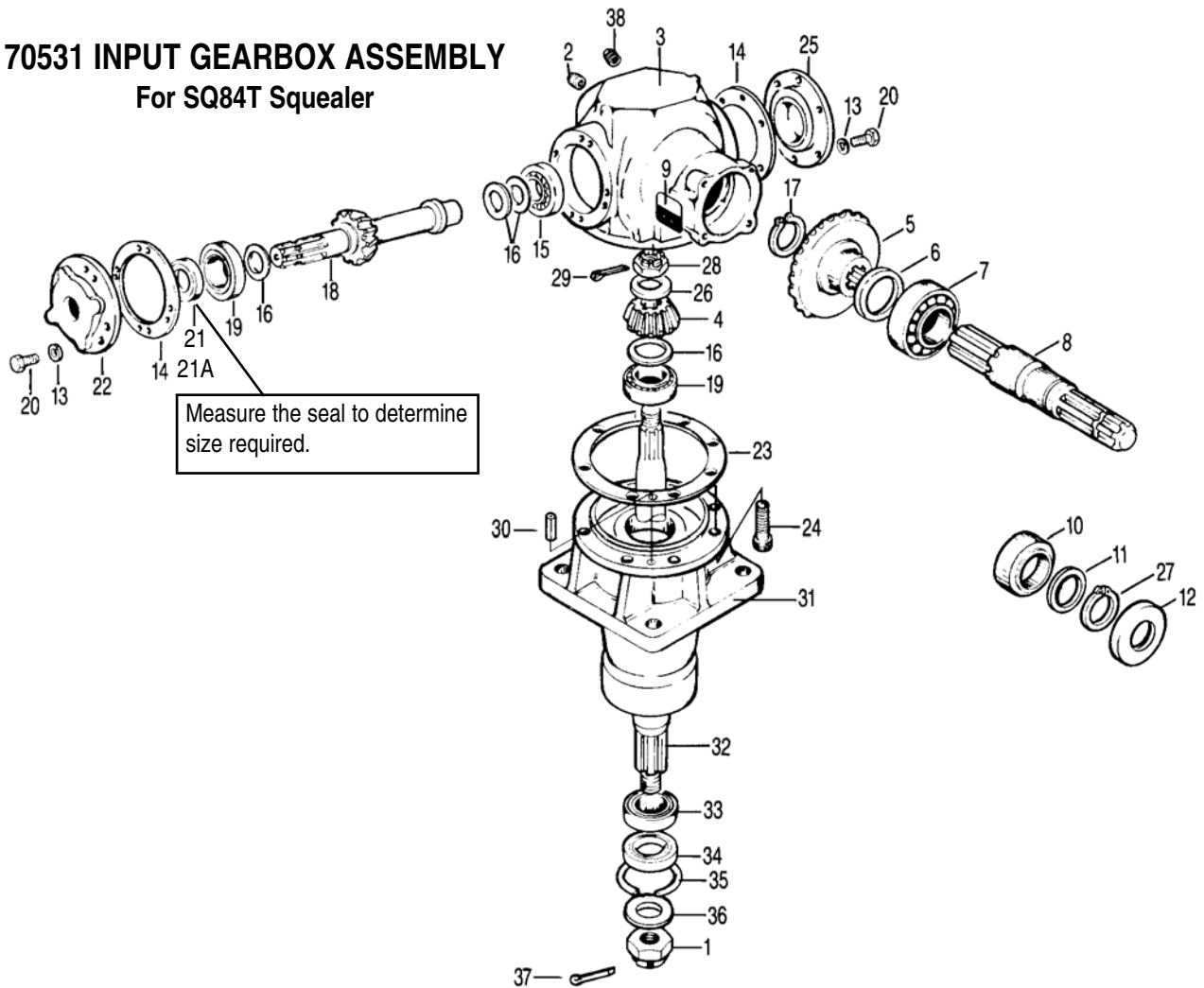
| REF. NO. | PART NO. | QTY. | DESCRIPTION            |
|----------|----------|------|------------------------|
| 1        | 71377    | 1    | Casting                |
| 2        | 70344    | 1    | Shim 50.3 x 70.3 x .03 |
|          | 70347    | 1    | Shim 50.3 x 70.3 x 0.4 |
|          | 70346    | 1    | Shim 50.3 x 70.3 x 1.0 |
|          | 70345    | 1    | Shim 50.3 x 70.3 x 0.5 |
| 3        | 70797    | 1    | Roller Bearing         |
| 4        | 70408    | 1    | Gear, Pinion, 15 Teeth |
| 5        | 70229    | 1    | Ball Bearing 6207      |
| 6        | 70134    | 1    | Oil Seal               |
| 7        | 71382    | 1    | Input Shaft            |
| 8        | 70639    | 2    | Shim 60.3 x 71.7 x .3  |
| 9        | 70133    | 2    | Snap Ring              |
| 10       | 71374    | 1    | Top Plate              |
| 11       | 70292    | 2    | Gas Plug               |
| 12       | 80538    | 1    | Vent Plug              |
| 13       | 70279    | 1    | Oil Cap                |
| 14       | 70571    | 1    | Cotter Pin             |
| 15       | 70570    | 1    | Castle Nut M30 x 1.5   |
| 16       | 70900    | 1    | Flatwasher 31 x 56 x 6 |
| 17       | 15473    | 1    | Cotter Pin             |
| 18       | 70575    | 1    | Oil Seal 50 x 90 x 10  |
| 19       | 70907    | 1    | Protective Washer      |
| 20       | 70076    | 1    | Castle Nut M30 x 2     |
| 21       | 71376    | 1    | Output Shaft           |
| 22       | F7502860 | 4    | Bolt, M8 x 22 HHB G8.8 |
| 23       | 70406    | 1    | Gear, Crown, 19 Spline |
| 24       | 70800    | 2    | Roller Bearing         |
| 25       | 70374    | 1    | Shim 30.3 x 44 x 1.0   |
| 26       | 70639    | 1    | Shim 60.3 x 71.7 x .3  |
|          | 70640    | 2    | Shim 60.3 x 71.7 x .4  |
|          | 70641    | 2    | Shim 60.3 x 71.7 x .5  |
|          | 70642    | 2    | Shim 60.3 x 71.7 x 1.0 |



**50058055 GEARBOX ASSEMBLY (540 RPM)  
(REPLACES THE 71283 GEARBOX ASSEMBLY)  
Used on Models SQ 160**

| REF. NO. | PART NO. | QTY. | DESCRIPTION                  |
|----------|----------|------|------------------------------|
| 1        | 71309    | 1    | Casting                      |
| 2        | 70329    | 1    | Shim 35.3 x 48 x .3          |
|          | 70330    | 1    | Shim 35.3 x 48 x .4          |
|          | 70331    | 1    | Shim 35.3 x 48 x .5          |
|          | 70332    | 1    | Shim 35.3 x 48 x 1.3         |
| 3        | 70079    | 1    | Snap Ring                    |
| 4        | 50064198 | 1    | Gear, Pinion, 13 Teeth       |
| 5        | 71453    | 1    | Ball Bearing 6207            |
| 6        | 70134    | 1    | Oil Seal                     |
| 7        | 50064199 | 1    | Input Shaft 1-3/8" -6 Spline |
| 8        | F7502811 | 1    | Shim 35.3 x 48 x 2.5         |
| 9        | 70133    | 2    | Snap Ring                    |
| 10       | 71312    | 1    | Top Plate                    |
| 11       | 70393    | 2    | Gas Plug                     |
| 12       | 80538    | 2    | Vent Plug                    |
| 13       | 70250    | 1    | Snap Ring                    |
| 14       | 70279    | 1    | Plug                         |
| 15       | 71300    | 1    | Cotter Pin M4 x 40           |
| 16       | 71314    | 1    | Castle Nut M24 x 1.5         |
| 17       | 71315    | 1    | Flatwasher 25 x 48 x 2.5     |
| 18       | 50064251 | 1    | Roller Bearing               |
| 19       | 83043    | 1    | Oil Seal 40 x 80 x 12        |
| 20       | 70691    | 1    | Protective Washer            |
| 21       | 70694    | 1    | Castle Nut M24 x 2           |
| 22       | 70699    | 1    | Cotter Pin 5 x 50            |
| 23       | 71316    | 1    | Output Shaft                 |
| 24       | 50064196 | 1    | Gear, Crown, 23 Teeth        |
| 25       | 70903    | 4    | Bolt, M8 x 1.25 x 14         |
| 26       | 70695    | 1    | Flatwasher 25 x 44 x 4       |
| 27       | 70801    | 1    | Roller Bearing               |
| 28       | 70797    | 1    | Roller Bearing               |
| 29       | 70639    | 2    | Shim 60.3 x 71.7 x .3        |
|          | 70640    | 2    | Shim 60.3 x 71.7 x .4        |
|          | 70641    | 2    | Shim 60.3 x 71.7 x .5        |
|          | 70642    | 2    | Shim 60.3 x 71.7 x 1.0       |

### 70531 INPUT GEARBOX ASSEMBLY For SQ84T Squealer



| REF. NO. | PART NO. | QTY. | DESCRIPTION          | REF. NO. | PART NO. | QTY. | DESCRIPTION                     |
|----------|----------|------|----------------------|----------|----------|------|---------------------------------|
| 1        | 70076    | 1    | Castle Nut           | 17       | 70563    | 1    | External Retaining Ring         |
| 2        | 70393    | 1    | Gas Plug             | 18       | 70564    | 1    | Pinion Shaft w/ Gear (13 Tooth) |
| 3        | 70554    | 1    | Housing              | 19       | 70797    | 2    | Bearing                         |
| 4        | 70555    | 1    | Pinion Gear 13 Tooth | 20       | 70278    | 16   | Bolt M8 x 20                    |
| 5        | 70556    | 1    | Crown Gear 24 Tooth  | 21       | 70565    | 1    | Oil Seal 35 x 45 x 7mm          |
| 6        | 70352    | A/R  | Shim .3mm            | 21A      | F7502731 | 1    | Oil Seal 35 x 52 x 7mm          |
|          | 70353    | A/R  | Shim .4mm            | 22       | 70566    | 1    | Cover                           |
|          | 70354    | A/R  | Shim .5mm            | 23       | 70266    | 1    | Gasket                          |
|          | 70355    | A/R  | Shim 1.0mm           | 24       | 70302    | 8    | Screw M10 x 25                  |
| 7        | 70557    | 1    | Bearing              | 25       | 70567    | 1    | Cover                           |
| 8        | 70558    | 1    | Input Shaft          | 26       | 70568    | 1    | Spacer                          |
| 9        | N/A      | 1    | Plate                | 27       | 70569    | 1    | External Retaining Ring         |
| 10       | 70194    | 1    | Bearing              | 28       | 70570    | 1    | Nut M30 x 15                    |
| 11       | 70348    | A/R  | Shim .3mm            | 29       | 70571    | 1    | Cotter Pin B4 x 50              |
|          | 70349    | A/R  | Shim .4mm            | 30       | 70304    | 2    | Spring Pin 10 x 26              |
|          | 70350    | A/R  | Shim .5mm            | 31       | 70572    | 1    | Extension                       |
|          | 70351    | A/R  | Shim 1.0mm           | 32       | 70573    | 1    | Shaft                           |
| 12       | 70190    | 1    | Oil Seal             | 33       | 70795    | 1    | Bearing                         |
| 13       | 70185    | 16   | Washer               | 34       | 70242    | 1    | Dust Excluder                   |
| 14       | 70561    | 2    | Gasket               | 35       | 70779    | 1    | Shoulder Ring                   |
| 15       | 70229    | 1    | Bearing              | 36       | 70077    | 1    | Flatwasher                      |
| 16       | 70329    | A/R  | Shim .3mm            | 37       | 15473    | 1    | Cotter Pin 1/4" x 2-1/2"        |
|          | 70330    | A/R  | Shim .4mm            | 38       | 70546    | 1    | Vent Plug                       |
|          | 70331    | A/R  | Shim .5mm            |          |          |      |                                 |
|          | 70332    | A/R  | shim 1.0mm           |          |          |      |                                 |

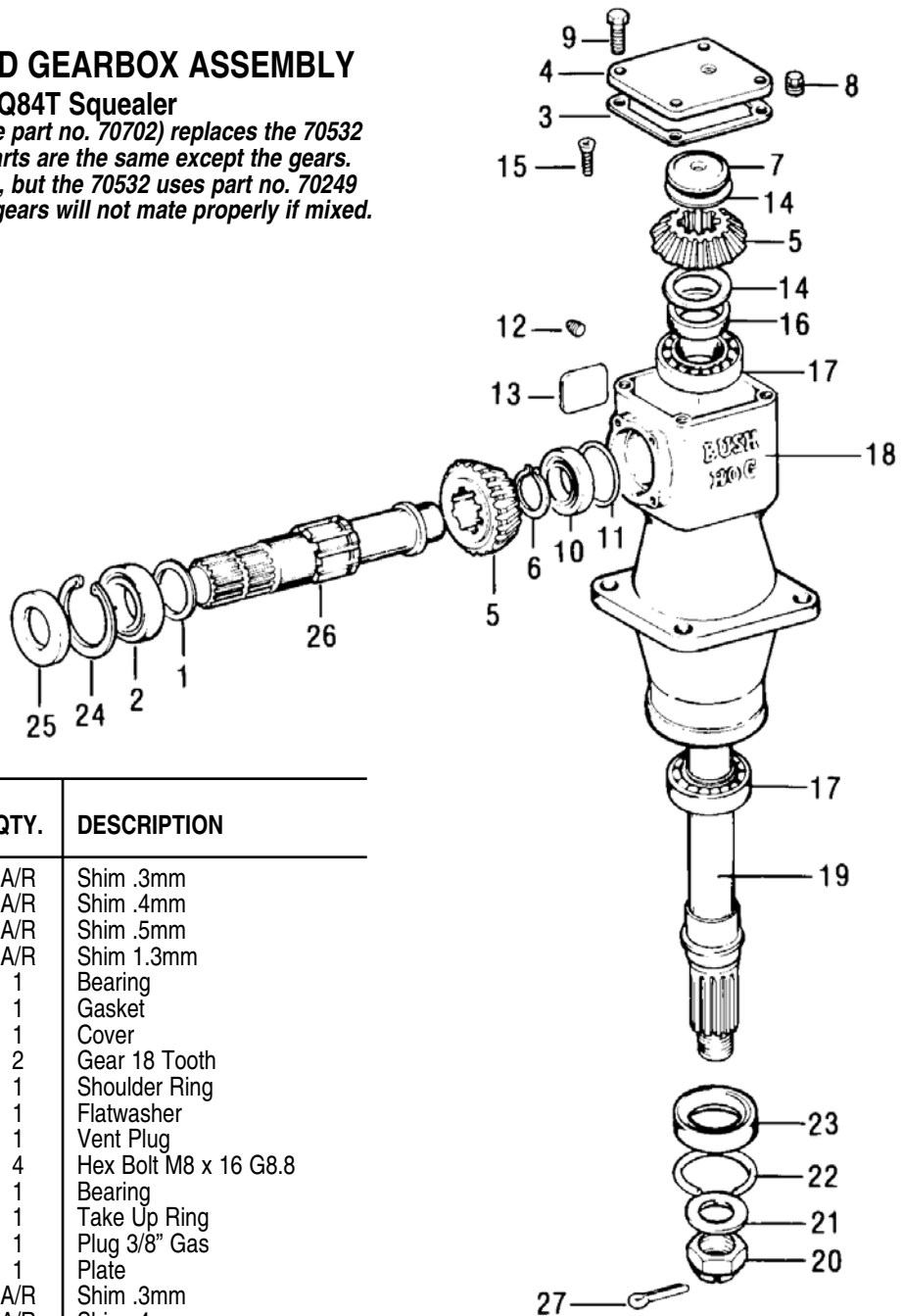
**Abbreviations**  
A/R – As Required  
N/A – Not Available



## 70702 OUTBOARD GEARBOX ASSEMBLY

For SQ84T Squealer

*Note: This gearbox (base part no. 70702) replaces the 70532 gearbox. All internal parts are the same except the gears. Both use 18 tooth gears, but the 70532 uses part no. 70249 instead of 70701. These gears will not mate properly if mixed.*

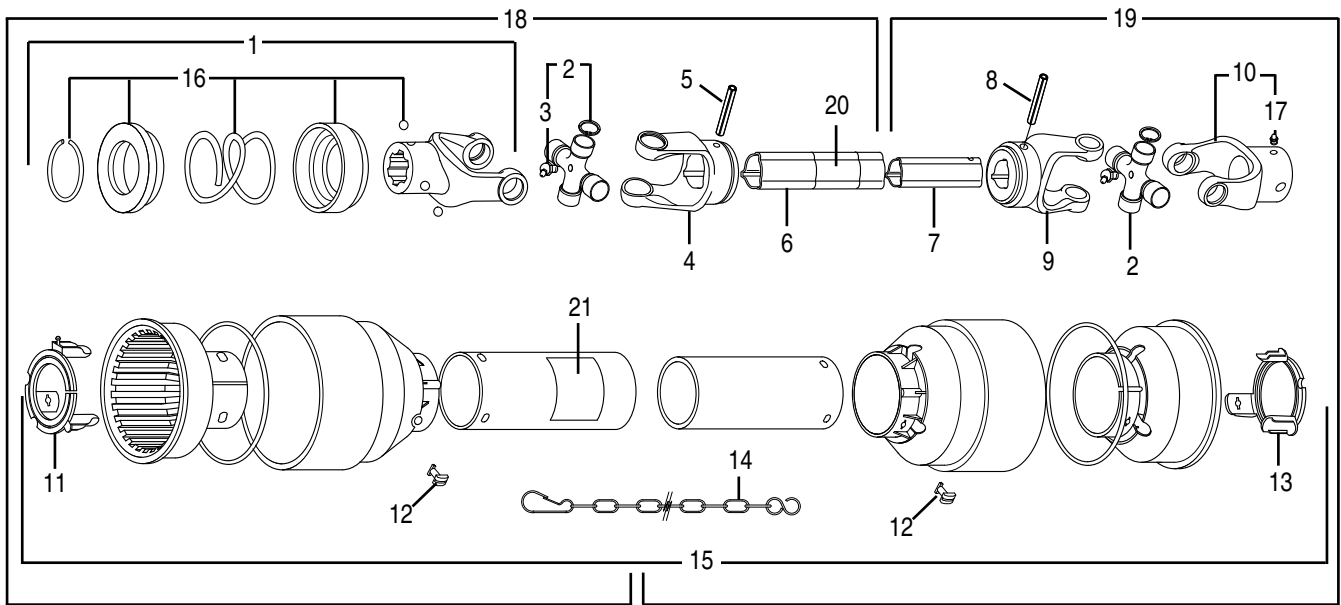


| REF. NO. | PART NO. | QTY. | DESCRIPTION                  |
|----------|----------|------|------------------------------|
| 1        | 70329    | A/R  | Shim .3mm                    |
|          | 70330    | A/R  | Shim .4mm                    |
|          | 70331    | A/R  | Shim .5mm                    |
|          | 70332    | A/R  | Shim 1.3mm                   |
| 2        | 70229    | 1    | Bearing                      |
| *3       | 70152    | 1    | Gasket                       |
| 4        | 70092    | 1    | Cover                        |
| 5        | 70701    | 2    | Gear 18 Tooth                |
| 6        | 70248    | 1    | Shoulder Ring                |
| 7        | 70442    | 1    | Flatwasher                   |
| 8        | 70546    | 1    | Vent Plug                    |
| 9        | 70326    | 4    | Hex Bolt M8 x 16 G8.8        |
| 10       | 70137    | 1    | Bearing                      |
| 11       | 70138    | 1    | Take Up Ring                 |
| 12       | 70292    | 1    | Plug 3/8" Gas                |
| 13       | N/A      | 1    | Plate                        |
| 14       | 70337    | A/R  | Shim .3mm                    |
|          | 70338    | A/R  | Shim .4mm                    |
|          | 70339    | A/R  | Shim .5mm                    |
|          | 70340    | A/R  | Shim 1.0mm                   |
| 15       | 70441    | 1    | Screw, Counter Sink M14 x 45 |
| 16       | 70251    | 1    | Spacer                       |
| 17       | 70795    | 2    | Bearing                      |
| 18       | 70093    | 1    | Housing                      |
| 19       | 70440    | 1    | Shaft                        |
| 20       | 70076    | 1    | Castle Nut M30 x 26          |
| 21       | 70077    | 1    | Flatwasher                   |
| 22       | 70079    | 1    | Shoulder Ring                |
| 23       | 70242    | 1    | Dust Excluder 45 x 80 x 10   |
| 24       | 70133    | 1    | Internal Circlip             |
| 25       | 70134    | 1    | Dust Excluder 35 x 72 x 12   |
| 26       | 70553    | 1    | Shaft 1-3/8" - 21 Spline     |
| 27       | 15473    | 1    | Cotter Pin 1/4" x 2-1/2"     |

\*May apply silicone sealer in place of gasket.

Abbreviations  
 A/R - As Required  
 N/A - Not Available



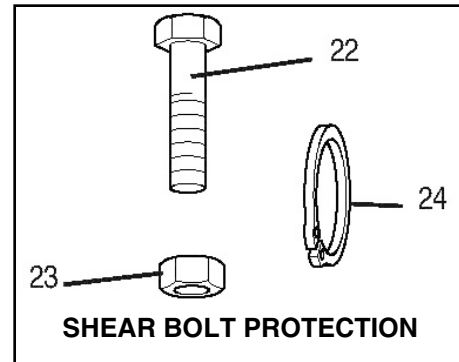


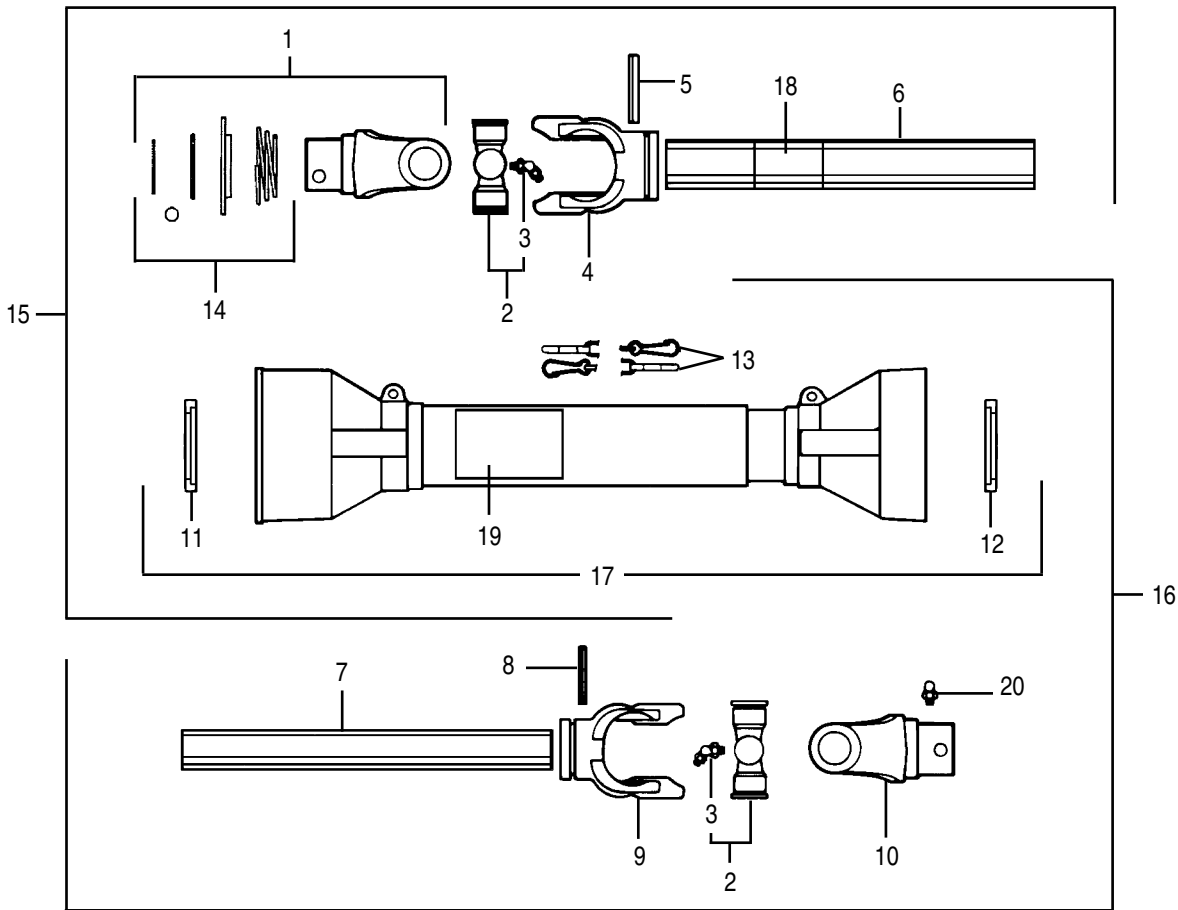
**76733 DRIVESHAFT ASSY. W/ SHEAR BOLT**  
 Manufactured by Comer/EG  
 Used On Models SQ142 & SQ148

| REF. NO. | PART NO. | QTY. | DESCRIPTION                   |
|----------|----------|------|-------------------------------|
| 1        | 76711    | 1    | Complete Collar Yoke          |
| 2        | 64694    | 2    | Cross Journal Set             |
| 3        | 63956    | 2    | Grease Nipple                 |
| 4        | 78571    | 1    | Outer Yoke                    |
| 5        | 78577    | 1    | Roll Pin for Outer Tube       |
| 6        | 82800    | 1    | Outer Tube                    |
| 7        | 82801    | 1    | Inner Tube                    |
| 8        | 78578    | 1    | Roll Pin for Inner Tube       |
| 9        | 78570    | 1    | Inner Yoke                    |
| 10       | 81447    | 1    | Yoke w/ Grease Nipple         |
| 11       | 76192    | 1    | Guard Retaining Collar, Outer |
| 12       | 87992    | 6    | Bolt                          |
| 13       | 76191    | 1    | Guard Retaining Collar, Inner |
| 14       | 64814    | 2    | Safety Chain                  |
| 15       | 76146    | 1    | Complete Shield w/ Instr.     |
| 16       | 50017480 | 1    | Ball Collar Kit 1-3/8"        |
| 17       | 63946    | 1    | Grease Nipple                 |
| 18       | 76808    | 1    | Half Female Shaft w/ Shield   |
| 19       | 76099    | 1    | Half Male Shaft w/ Shield     |
| 20       | 78786    | 1    | Danger Decal, Outer Tube      |
| 21       | 78608    | 1    | Danger Decal, Outer Shield    |

**SHEAR BOLT PROTECTION**

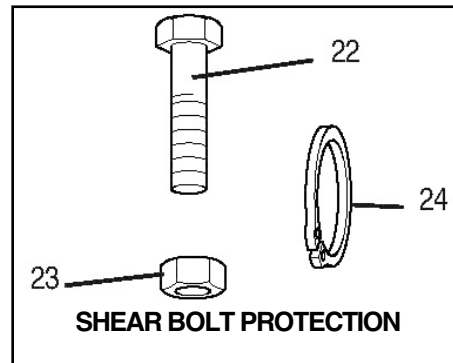
|    |         |   |                      |
|----|---------|---|----------------------|
| 22 | 44357   | 1 | Shear Bolt 1/2" x 3" |
| 23 | 8151600 | 1 | Hex Nut 1/2"         |
| 24 | 81445   | 1 | Retaining Ring       |



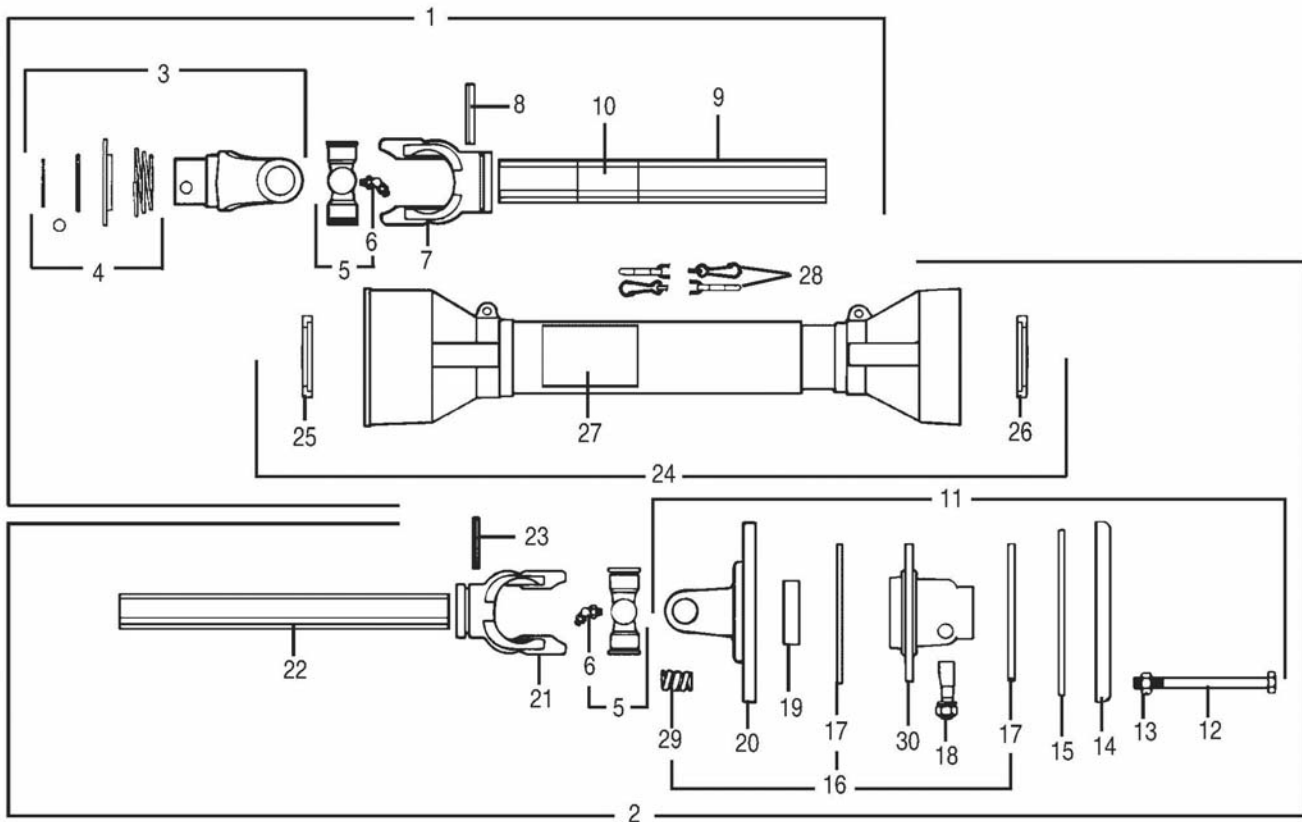


**50034238 DRIVESHAFT ASSEMBLY  
(REPLACED BY 50063610 DRIVESHAFT ASSEMBLY)  
540 RPM, 1-3/8" – 6 spline, Mfd. by Binacchi  
Used on Models SQ142 & SQ148**

| REF. NO. | PART NO. | QTY. | DESCRIPTION          |
|----------|----------|------|----------------------|
| 1        | 50035260 | 1    | Complete Collar Yoke |
| 2        | 64694    | 2    | Cross Journal Set    |
| 3        | 63956    | 8    | Grease Nipple        |
| 4        | 78571    | 1    | Outer Tube Yoke      |
| 5        | 78577    | 1    | Flexible Pin         |
| 6        | 82800    | 1    | Outer Tube           |
| 7        | 82801    | 1    | Inner Tube           |
| 8        | 78578    | 1    | Flexible Pin         |
| 9        | 78570    | 1    | Inner Tube Yoke      |
| 10       | 81447    | 1    | Outer Yoke           |
| 11       | 90008    | 1    | Outer Bearing        |
| 12       | 50042832 | 1    | Inner Bearing        |
| 13       | 64814    | 2    | Chain                |
| 14       | 50035261 | 1    | Ball Collar Kit      |
| 15       | 50035268 | 1    | Half Shaft, Outer    |
| 16       | 90022    | 1    | Half Shaft, Inner    |
| 17       | 90012    | 1    | Safety Guard         |
| 18       | 78786    | 1    | Danger Decal         |
| 19       | 78608    | 1    | Danger Decal         |
| 20       | 63946    | 1    | Grease Nipple        |



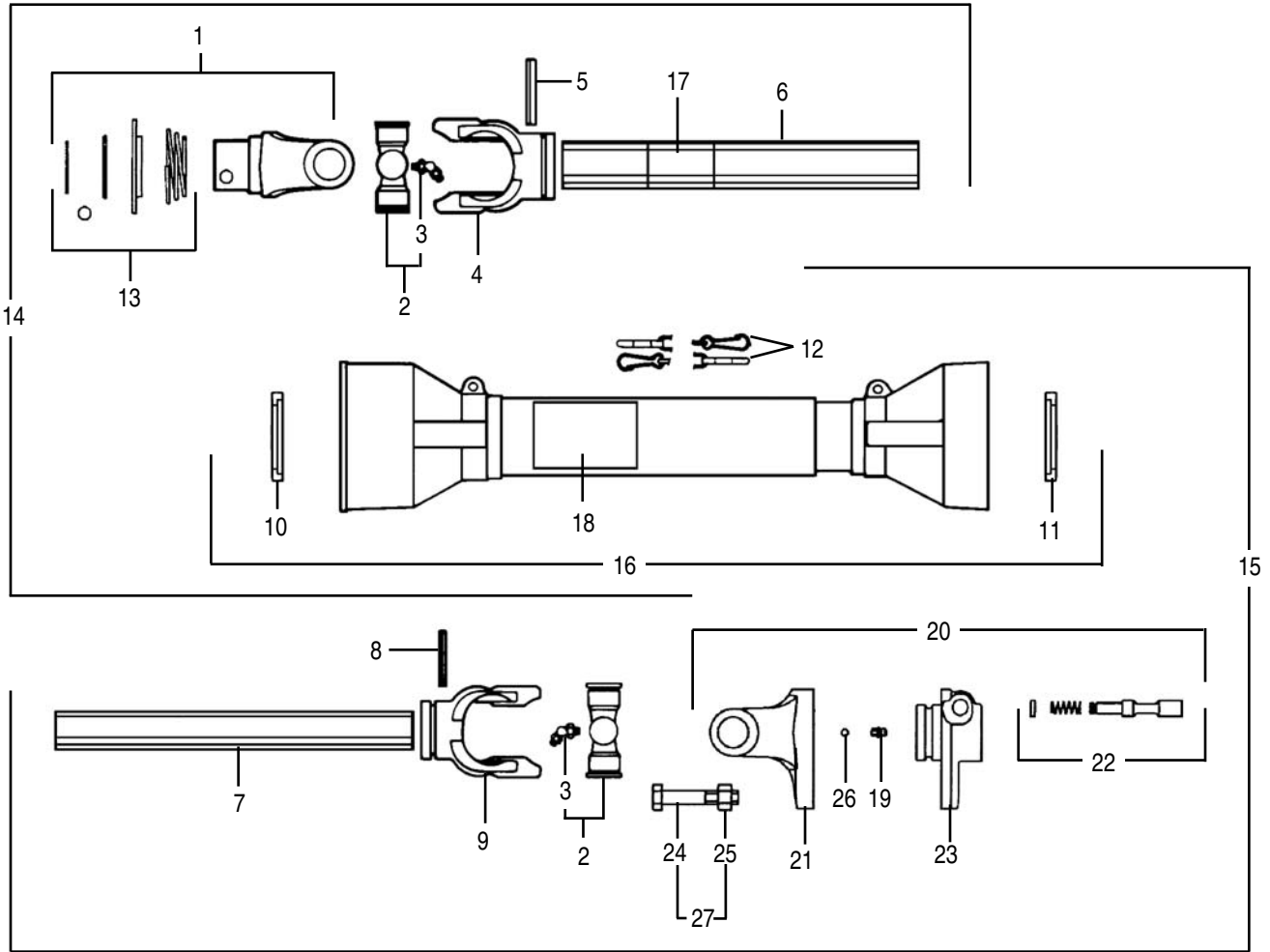
| REF. NO.                     | PART NO. | QTY. | DESCRIPTION          |
|------------------------------|----------|------|----------------------|
| <b>SHEAR BOLT PROTECTION</b> |          |      |                      |
| 21                           | 44357    | 1    | Shear Bolt 1/2" x 3" |
| 22                           | 8151600  | 1    | Hex Nut 1/2"         |
| 23                           | 81445    | 1    | Retaining Ring       |



**50034239 DRIVESHAFT ASSEMBLY W/ CLUTCH  
 (REPLACED BY 50063611 DRIVESHAFT ASSEMBLY)  
 1-3/8" – 6 Spline, 540 RPM, Mfd. by Binacchi  
 Used On Model SQ160, SQ84T**

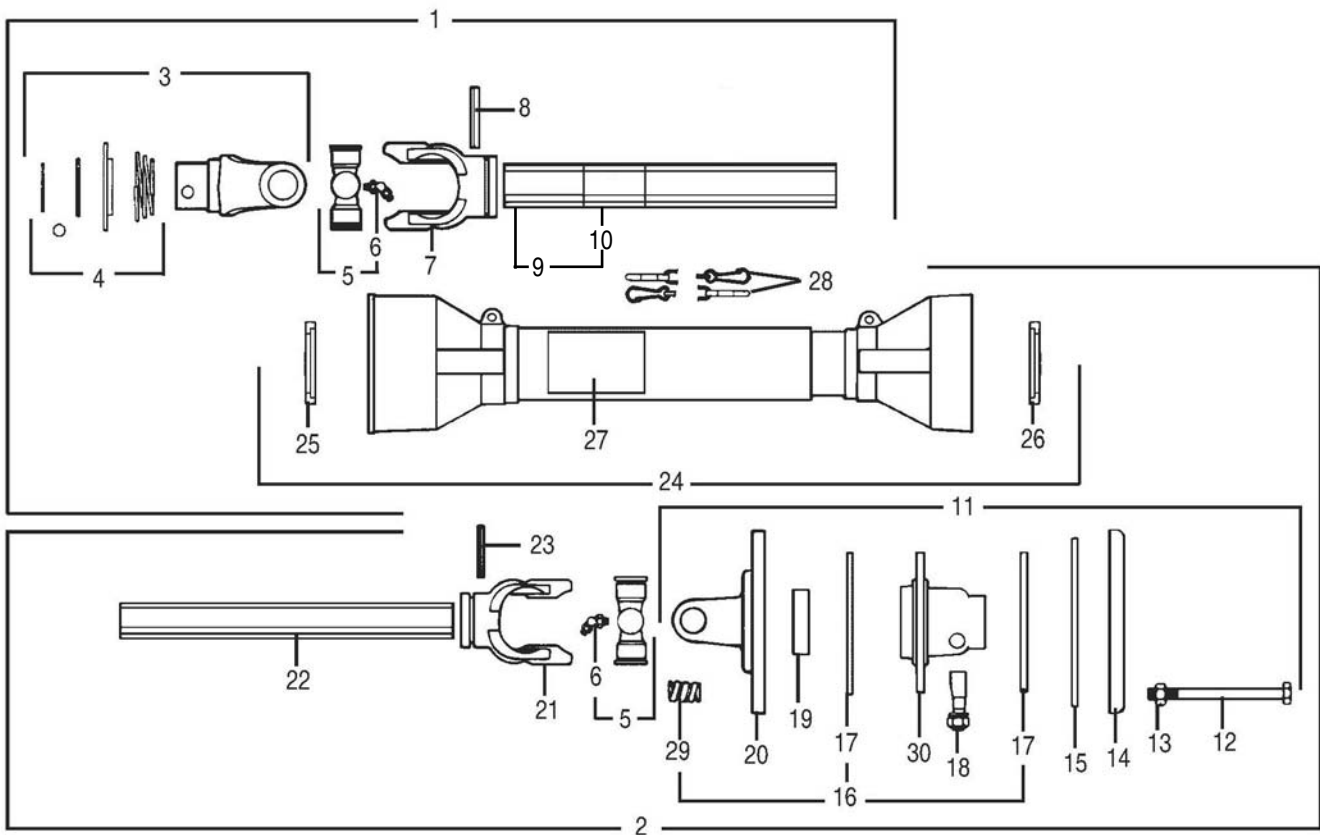
**50034244 DRIVESHAFT ASSEMBLY W/ CLUTCH  
 (REPLACED BY 50063614 DRIVESHAFT ASSEMBLY)  
 1-3/8" – 6 Spline, 540 RPM, Mfd. by Binacchi  
 Used On Model SQ172**

| REF. NO. | PART NO. | QTY. | DESCRIPTION                     | REF. NO. | PART NO. | QTY. | DESCRIPTION                  |
|----------|----------|------|---------------------------------|----------|----------|------|------------------------------|
| 1        | 50035268 | 1    | Front Half, Complete (50034239) | 17       | 91561    | 1    | Lining                       |
|          | 50035285 | 1    | Front Half, Complete (50034244) | 18       | 90938    | 1    | Pivot Assy.                  |
| 2        | 50035264 | 1    | Rear Half, Complete (50034239)  |          | —        | 1    | Flatwasher M12               |
|          | 50035286 | 1    | Rear Half, Complete (50034244)  |          | —        | 1    | Hex Nut M12 x 1.75           |
| 3        | 50035260 | 1    | Complete Collar Yoke            | 19       | 64828    | 1    | Bushing                      |
| 4        | 50035261 | 1    | Ball Collar Kit                 | 20       | 68969    | 1    | Flange                       |
| 5        | 64694    | 2    | Cross Bearing Kit               | 21       | 78570    | 1    | Yoke, Inner Tube             |
| 6        | 63956    | 2    | Grease Fitting                  | 22       | 82801    | 1    | Inner Tube (50034239)        |
| 7        | 78571    | 1    | Yoke, Outer Tube                |          | 90259    | 1    | Inner Tube (50034244)        |
| 8        | 78577    | 1    | Flexible Pin                    | 23       | 78578    | 1    | Flexible Pin                 |
| 9        | 82800    | 1    | Outer Tube (50034239)           | 24       | 50035290 | 1    | Shield Assembly (50034239)   |
|          | 90258    | 1    | Outer Tube (50034244)           |          | 50035287 | 1    | Shield Assembly (50034244)   |
| 10       | 78786    | 1    | Danger Decal                    | 25       | 90008    | 1    | Shield Bearing, Outer Shield |
| 11       | 86667    | 1    | Torque Limiter                  | 26       | 50042832 | 1    | Shield Bearing, Inner Shield |
| 12       | 44155    | 8    | Capscrew M10 x 1.5 x 85         | 27       | 78608    | 1    | Danger Decal                 |
| 13       | 44154    | 8    | Locknut M10 x 1.5               | 28       | 64814    | 2    | Safety Chain                 |
| 14       | 64649    | 1    | Pressure Plate                  | 29       | 64657    | 8    | Spring                       |
| 15       | 64650    | 1    | Inner Plate                     | 30       | 86589    | 1    | Hub                          |
| 16       | 95781    | 1    | Torque Limiter Kit              |          |          |      |                              |



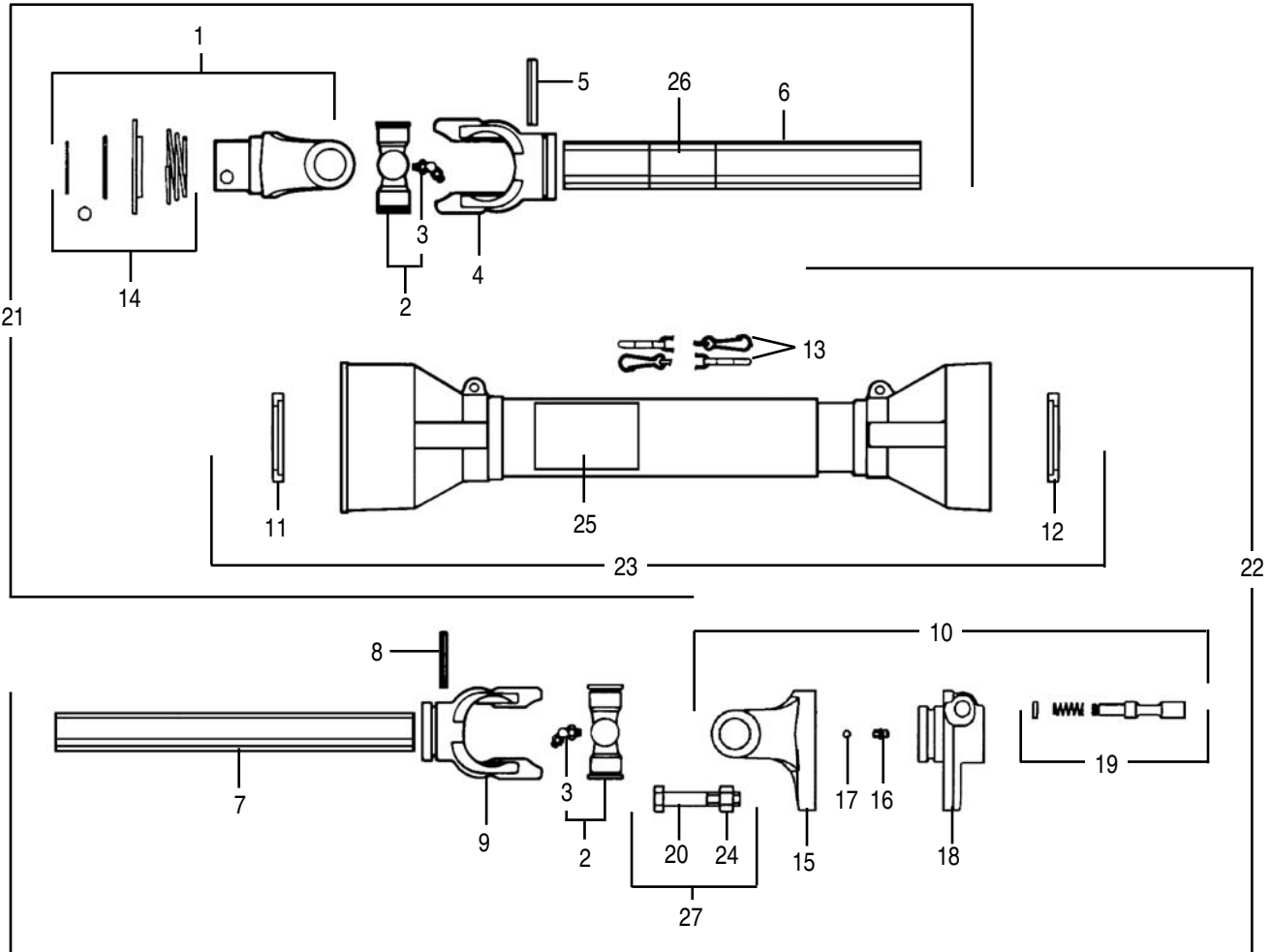
**50034240 DRIVESHAFT ASSEMBLY W/ SHEAR BOLT  
 (REPLACED BY 50063612 DRIVESHAFT ASSEMBLY)  
 540 RPM, 1-3/8" – 6 spline, Mfd. by Binacchi  
 Used On Model SQ160**

| REF. NO. | PART NO. | QTY. | DESCRIPTION          | REF. NO. | PART NO. | QTY. | DESCRIPTION             |
|----------|----------|------|----------------------|----------|----------|------|-------------------------|
| 1        | 50035260 | 1    | Complete Collar Yoke | 14       | 50035263 | 1    | Half Shaft, Outer       |
| 2        | 64694    | 2    | Cross Journal Set    | 15       | 50035291 | 1    | Half Shaft, Inner       |
| 3        | 63956    | 2    | Grease Nipple        | 16       | 90012    | 1    | Safety Guard            |
| 4        | 78571    | 1    | Outer Tube Yoke      | 17       | 78786    | 1    | Danger Decal            |
| 5        | 78577    | 1    | Flexible Pin         | 18       | 78608    | 1    | Danger Decal            |
| 6        | 82800    | 1    | Outer Tube           | 19       | 69439    | 1    | Grease Fitting          |
| 7        | 82801    | 1    | Inner Tube           | 20       | 50035294 | 1    | Torque Limiter          |
| 8        | 78578    | 1    | Flexible Pin         | 21       | 69440    | 1    | Yoke                    |
| 9        | 78570    | 1    | Inner Tube Yoke      | 22       | 65291    | 1    | Push Pin Kit            |
| 10       | 90008    | 1    | Outer Bearing        | 23       | 69438    | 1    | Hub w/ Push Pin Kit     |
| 11       | 50042832 | 1    | Inner Bearing        | 24       | 44883    | 1    | Capscrew M8 x 1.25 x 45 |
| 12       | 64814    | 2    | Chain                | 25       | 44185    | 1    | Locknut M8              |
| 13       | 50035261 | 1    | Ball Collar Kit      | 26       | 65224    | 1    | Ball                    |
|          |          |      |                      | 27       | 81976    | 1    | Shear Bolt Kit          |



**50034236 DRIVESHAFT ASSEMBLY W/ CLUTCH  
 (REPLACED BY 50063608 DRIVESHAFT ASSEMBLY)  
 1-3/8" – 6 Spline, 540 RPM, Mfd. by Binacchi  
 Used On Model SQ184**

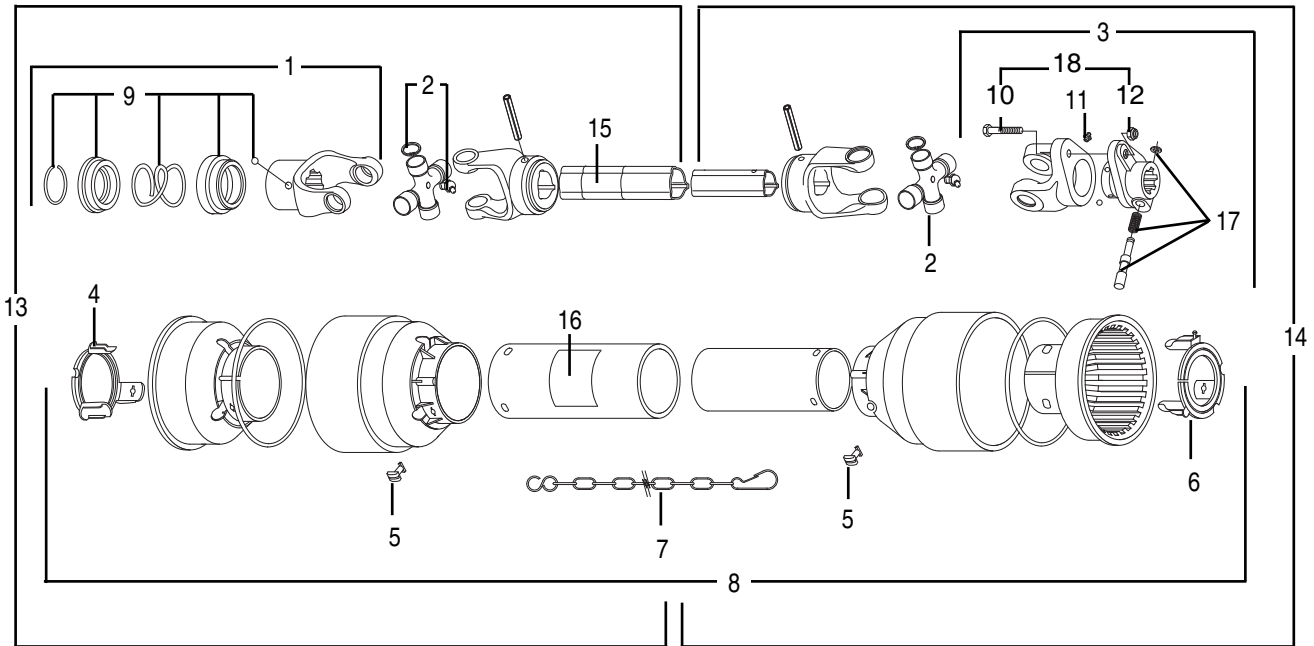
| REF. NO. | PART NO. | QTY. | DESCRIPTION             | REF. NO. | PART NO. | QTY. | DESCRIPTION                  |
|----------|----------|------|-------------------------|----------|----------|------|------------------------------|
| 1        | 50035270 | 1    | Front Half, Complete    | 17       | 91560    | 1    | Lining                       |
| 2        | 50035271 | 1    | Rear Half, Complete     | 18       | 90938    | 1    | Pivot Assy.                  |
| 3        | 50035273 | 1    | Complete Collar Yoke    |          | —        | 1    | Flatwasher M12               |
| 4        | 50042833 | 1    | Ball Collar Kit         |          | —        | 1    | Hex Nut M12 x 1.75           |
| 5        | 64610    | 2    | Cross Bearing Kit       | 19       | 64828    | 1    | Bushing                      |
| 6        | 63956    | 2    | Grease Fitting          | 20       | 64646    | 1    | Flange                       |
| 7        | 66112    | 1    | Yoke, Outer Tube        | 21       | 66109    | 1    | Yoke, Inner Tube             |
| 8        | 66113    | 1    | Flexible Pin            | 22       | 66976    | 1    | Inner Tube                   |
| 9        | 68998    | 1    | Outer Tube              | 23       | 66110    | 1    | Flexible Pin                 |
| 10       | 78786    | 1    | Danger Decal            | 24       | 50035272 | 1    | Shield Assembly              |
| 11       | 86673    | 1    | Torque Limiter          | 25       | 90025    | 1    | Shield Bearing, Outer Shield |
| 12       | 44155    | 8    | Capscrew M10 x 1.5 x 85 | 26       | 50050664 | 1    | Shield Bearing, Inner Shield |
| 13       | 44154    | 8    | Locknut M10 x 1.5       | 27       | 78608    | 1    | Danger Decal                 |
| 14       | 64641    | 1    | Pressure Plate          | 28       | 64814    | 2    | Safety Chain                 |
| 15       | 64642    | 1    | Inner Plate             | 29       | 64657    | 8    | Spring                       |
| 16       | 91562    | 1    | Torque Limiter Kit      | 30       | 86585    | 1    | Hub                          |



**50042263 DRIVESHAFT ASSEMBLY W/ SHEAR BOLT  
 (REPLACED BY 50063619 DRIVESHAFT ASSEMBLY)  
 540 RPM, 1-3/8" – 6 Spline, Mfd. by Binacchi  
 Used On Model SQ172**

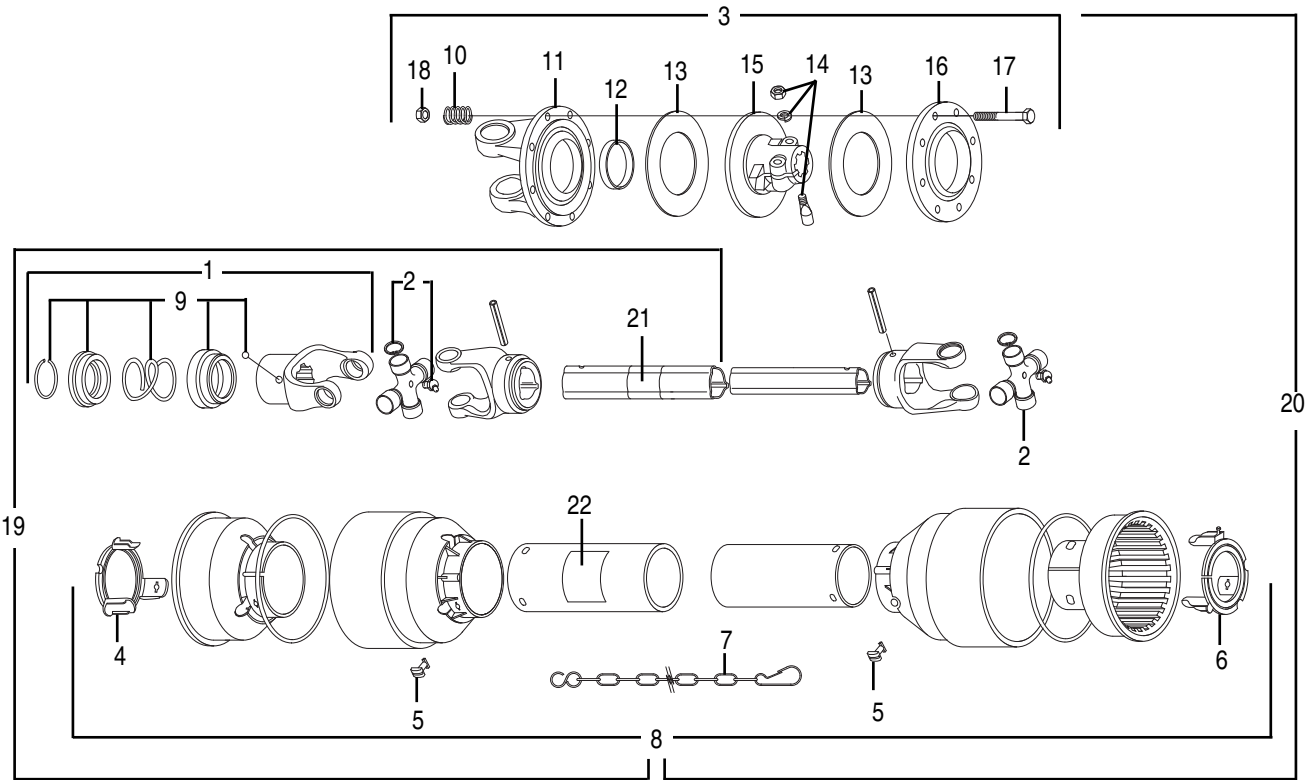
| REF. NO. | PART NO. | QTY. | DESCRIPTION               | REF. NO. | PART NO. | QTY. | DESCRIPTION                        |
|----------|----------|------|---------------------------|----------|----------|------|------------------------------------|
| 1        | 50035273 | 1    | Yoke                      | 14       | 50042833 | 1    | Ball Collar Kit                    |
| 2        | 64610    | 2    | Cross Journal Assembly    | 15       | 69450    | 1    | Yoke                               |
| 3        | 63956    | 2    | Grease Nipple             | 16       | 69439    | 1    | Grease Fitting                     |
| 4        | 66112    | 1    | Outer Tube Yoke           | 17       | 65224    | 23   | Ball                               |
| 5        | 66113    | 1    | Flexible Pin              | 18       | 69449    | 1    | Hub w/ Push Pin Kit                |
| 6        | 50044256 | 1    | Outer Cardan Tube         | 19       | 79354    | 1    | Push Pin Kit                       |
| 7        | 50044257 | 1    | Inner Cardan Tube         | 20       | 44525    | 1    | Capscrew M10 x 1.5 x 55 G8.8       |
| 8        | 66110    | 1    | Flexible Pin              | 21       | 50044261 | 1    | Half Shaft, Outer                  |
| 9        | 66109    | 1    | Inner Tube Yoke           | 22       | 50044262 | 1    | Half Shaft, Inner                  |
| 10       | 69451    | 1    | Shear Bolt Torque Limiter | 23       | 50044263 | 1    | Safety Guard                       |
| 11       | 50044259 | 1    | Outer Bearing             | 24       | 44154    | 1    | Locknut M10                        |
| 12       | 50044260 | 1    | Inner Bearing             | 25       | 78608    | 1    | Danger Decal, Outer Shield         |
| 13       | 64814    | 2    | Chain                     | 26       | 78786    | 1    | Danger Decal, Outer Tube           |
|          |          |      |                           | 27       | 69136    | 1    | Shear Bolt Pkg. (5 Bolts and Nuts) |
|          |          |      |                           |          | 81977    | 1    | Hardened Shear Bolt Pkg. (Opt.)    |





**50053123 DRIVESHAFT ASSEMBLY W/ OFFSET SHEAR BOLT**  
**540 RPM – 1-3/8” – 6 Spline, Mfd. by Comer**  
**Used On Model SQ160**

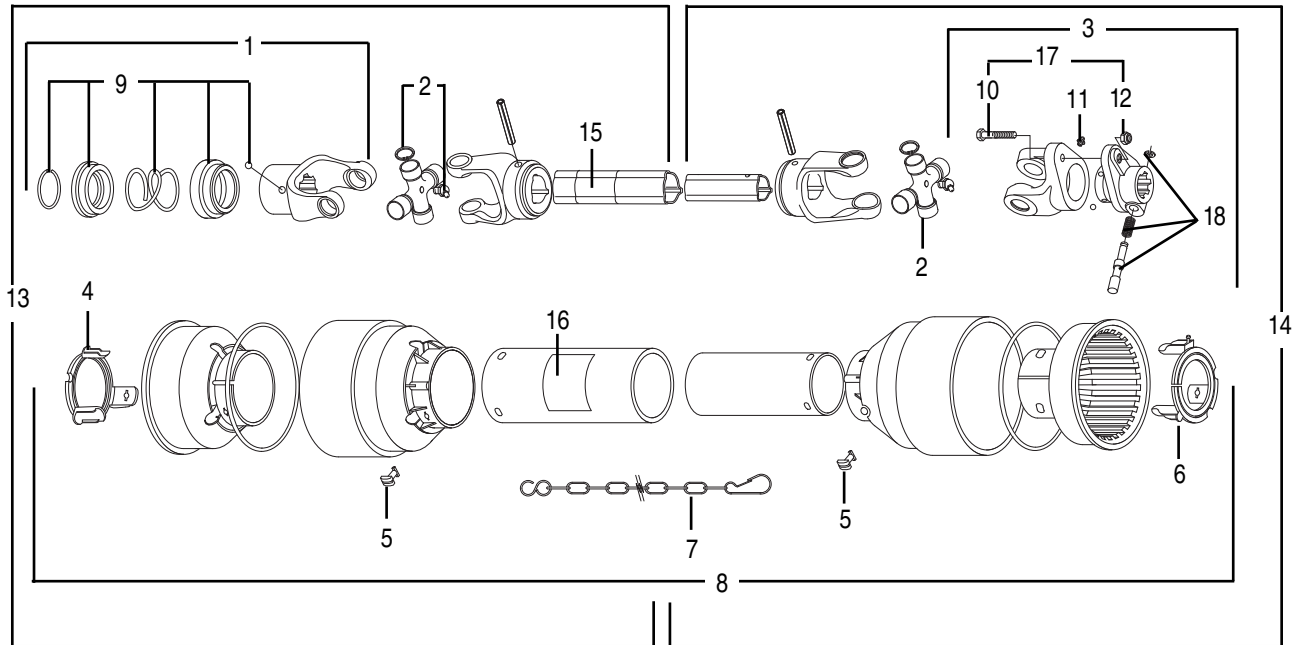
| REF. NO. | PART NO. | QTY. | DESCRIPTION                        |
|----------|----------|------|------------------------------------|
| 1        | 76711    | 1    | Complete Collar Yoke               |
| 2        | 64694    | 2    | Cross Journal Set                  |
| 3        | 99847    | 1    | Complete Shear Bolt                |
| 4        | 50053143 | 1    | Guard Retaining Collar, Outer      |
| 5        | 50050289 | 6    | Bolt                               |
| 6        | 50053144 | 1    | Guard Retaining Collar, Inner      |
| 7        | 64814    | 2    | Safety Chain                       |
| 8        | 50053145 | 1    | Complete Shield                    |
| 9        | 50017480 | 2    | Ball Collar Kit 1-3/8"             |
| 10       | 44275    | 6    | Capscrew M8 x 1.25 x 50            |
| 11       | 63946    | 1    | Grease Fitting                     |
| 12       | 44306    | 6    | Hex Nut M8 x 1.25                  |
| 13       | 50053146 | 1    | Half Female Shaft w/ Shield        |
| 14       | 50053154 | 1    | Half Male Shaft w/ Shield          |
| 15       | 78786    | 1    | Danger Decal, Outer Tube           |
| 16       | 78608    | 1    | Danger Decal, Outer Shield         |
| 17       | 76062    | 1    | Push Pin Set                       |
| 18       | 81976    | 1    | Shear Bolt Pkg. (5 Bolts and Nuts) |



**50053126 DRIVESHAFT W/ SLIP CLUTCH**  
**540 RPM, 1-3/8" - 6 Spline, Mfd. by Comer**  
**Used On Model SQ160, SQ84T**

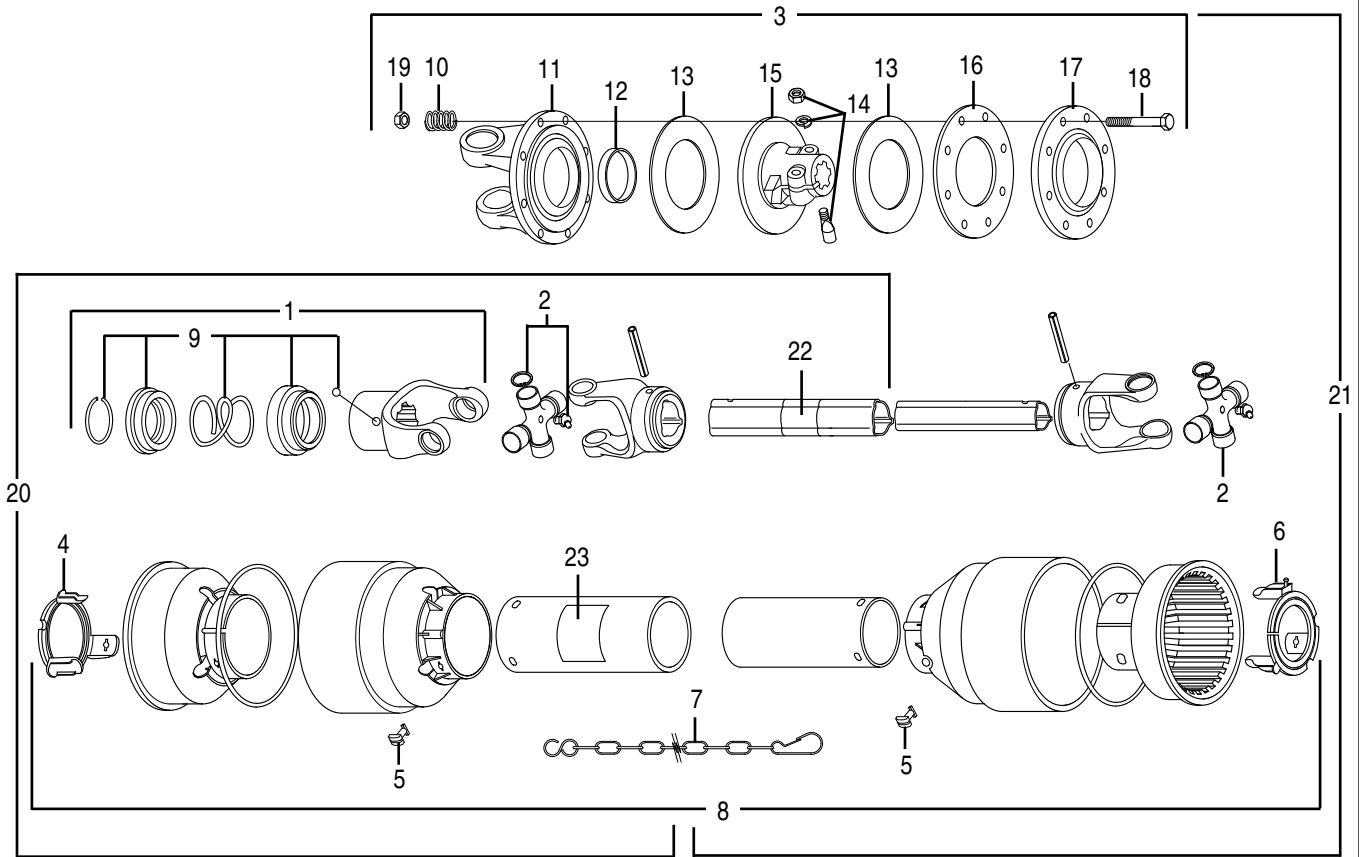
**50053125 DRIVESHAFT W/ SLIP CLUTCH**  
**540 RPM, 1-3/8" - 6 Spline, Mfd. by Comer**  
**Used On Model SQ172**

| REF. NO. | PART NO. | QTY. | DESCRIPTION                   | REF. NO. | PART NO. | QTY. | DESCRIPTION                            |
|----------|----------|------|-------------------------------|----------|----------|------|--|
| 1        | 76711    | 1    | Complete Collar Yoke          | 13       | 76194    | 2    | Lining Ring                            |
| 2        | 64694    | 2    | Cross Journal Set             | 14       | 76064    | 1    | Tapered Pin Set 1-3/8"                 |
| 3        | 76152    | 1    | Complete Disc Clutch          | 15       | 76161    | 1    | Clutch Support                         |
| 4        | 50053143 | 1    | Guard Retaining Collar, Outer | 16       | 76196    | 1    | Pressure Plate                         |
| 5        | 50050289 | 6    | Bolt                          | 17       | 44300    | 8    | Capscrew M10 x 1.25 x 80               |
| 6        | 50053144 | 1    | Guard Retaining Collar, Inner | 18       | 44298    | 8    | Hex Nut M10 x 1.25                     |
| 7        | 64814    | 2    | Safety Chain                  | 19       | 50053146 | 1    | Half Female Shaft w/ Shield (50053126) |
| 8        | 50053161 | 1    | Complete Shield (50053126)    | 20       | 50053159 | 1    | Half Female Shaft w/ Shield (50053125) |
|          | 50053158 | 1    | Complete Shield (50053125)    |          | 50053162 | 1    | Half Male Shaft w/ Shield (50053126)   |
| 9        | 50017480 | 1    | Ball Collar Kit 1-3/8"        |          | 50053160 | 1    | Half Male Shaft w/ Shield (50053125)   |
| 10       | 76080    | 8    | Spring                        | 21       | 78786    | 1    | Danger Decal, Outer Tube               |
| 11       | 76159    | 1    | Flanged Yoke                  | 22       | 78608    | 1    | Danger Decal, Outer Shield             |
| 12       | 76195    | 1    | Bushing                       |          |          |      |  |



**50053131 DRIVESHAFT ASSEMBLY W/ OFFSET SHEAR BOLT**  
**540 RPM, 1-3/8" – 6 Spline, Mfd. by Comer**  
**Used On Model SQ172**

| REF. NO. | PART NO. | QTY. | DESCRIPTION                         |
|----------|----------|------|-------------------------------------|
| 1        | 76801    | 1    | Complete Collar Yoke                |
| 2        | 64610    | 2    | Cross Journal Set                   |
| 3        | 76616    | 1    | Complete Shear Bolt                 |
| 4        | 50053169 | 1    | Guard Retaining Collar, Outer       |
| 5        | 50050289 | 6    | Bolt                                |
| 6        | 50053240 | 1    | Guard Retaining Collar, Inner       |
| 7        | 64814    | 2    | Safety Chain                        |
| 8        | 50053246 | 1    | Complete Shield                     |
| 9        | 50017480 | 2    | Ball Collar Kit 1-3/8"              |
| 10       | 44525    | 5    | Capscrew M10 x 1.5 x 55 G8.8        |
| 11       | 63946    | 1    | Grease Fitting                      |
| 12       | 44154    | 5    | Locknut M10                         |
| 13       | 50053247 | 1    | Half Female Shaft w/ Shield         |
| 14       | 50053248 | 1    | Half Male Shaft w/ Shield           |
| 15       | 78786    | 1    | Danger Decal, Outer Tube            |
| 16       | 78608    | 1    | Danger Decal, Outer Shield          |
| 17       | 69136    | 1    | Shear Bolt Package (5 Bolts & Nuts) |
|          | 81977    | 1    | Hardened Shear Bolt Package (Opt.)  |
| 18       | 76062    | 1    | Push Pin Set                        |



**50053132 DRIVESHAFT W/ SLIP CLUTCH**  
**540 RPM, 1-3/8" 6 Spline, Mfd. by Comer**  
**Used On Model SQ184**

| REF. NO. | PART NO. | QTY. | DESCRIPTION                   |
|----------|----------|------|-------------------------------|
| 1        | 76801    | 1    | Complete Collar Yoke          |
| 2        | 64610    | 2    | Cross Journal Set             |
| 3        | 76076    | 1    | Complete Disc Clutch          |
| 4        | 50053169 | 1    | Guard Retaining Collar, Outer |
| 5        | 50050289 | 6    | Bolt                          |
| 6        | 50053240 | 1    | Guard Retaining Collar, Inner |
| 7        | 64814    | 2    | Safety Chain                  |
| 8        | 50053249 | 1    | Complete Shield               |
| 9        | 50017480 | 1    | Ball Collar Kit 1-3/8"        |
| 10       | 76080    | 8    | Spring                        |
| 11       | 76081    | 1    | Flanged Yoke                  |
| 12       | 76082    | 1    | Bushing                       |

| REF. NO. | PART NO. | QTY. | DESCRIPTION                 |
|----------|----------|------|-----------------------------|
| 13       | 76083    | 2    | Lining Ring                 |
| 14       | 76064    | 1    | Tapered Pin Set 1-3/8"      |
| 15       | 76084    | 1    | Clutch Support              |
| 16       | 76085    | 1    | Inner Plate                 |
| 17       | 76086    | 1    | Pressure Plate              |
| 18       | 44155    | 8    | Capscrew M10 x 1.5 x 85     |
| 19       | 44154    | 8    | Lock Nut M10 x 1.5          |
| 20       | 50053250 | 1    | Half Female Shaft w/ Shield |
| 21       | 50053251 | 1    | Half Male Shaft w/ Shield   |
| 22       | 78786    | 1    | Danger Decal, Outer Tube    |
| 23       | 78608    | 1    | Danger Decal, Outer Shield  |

### 50063610 DRIVE SHAFT ASSEMBLY

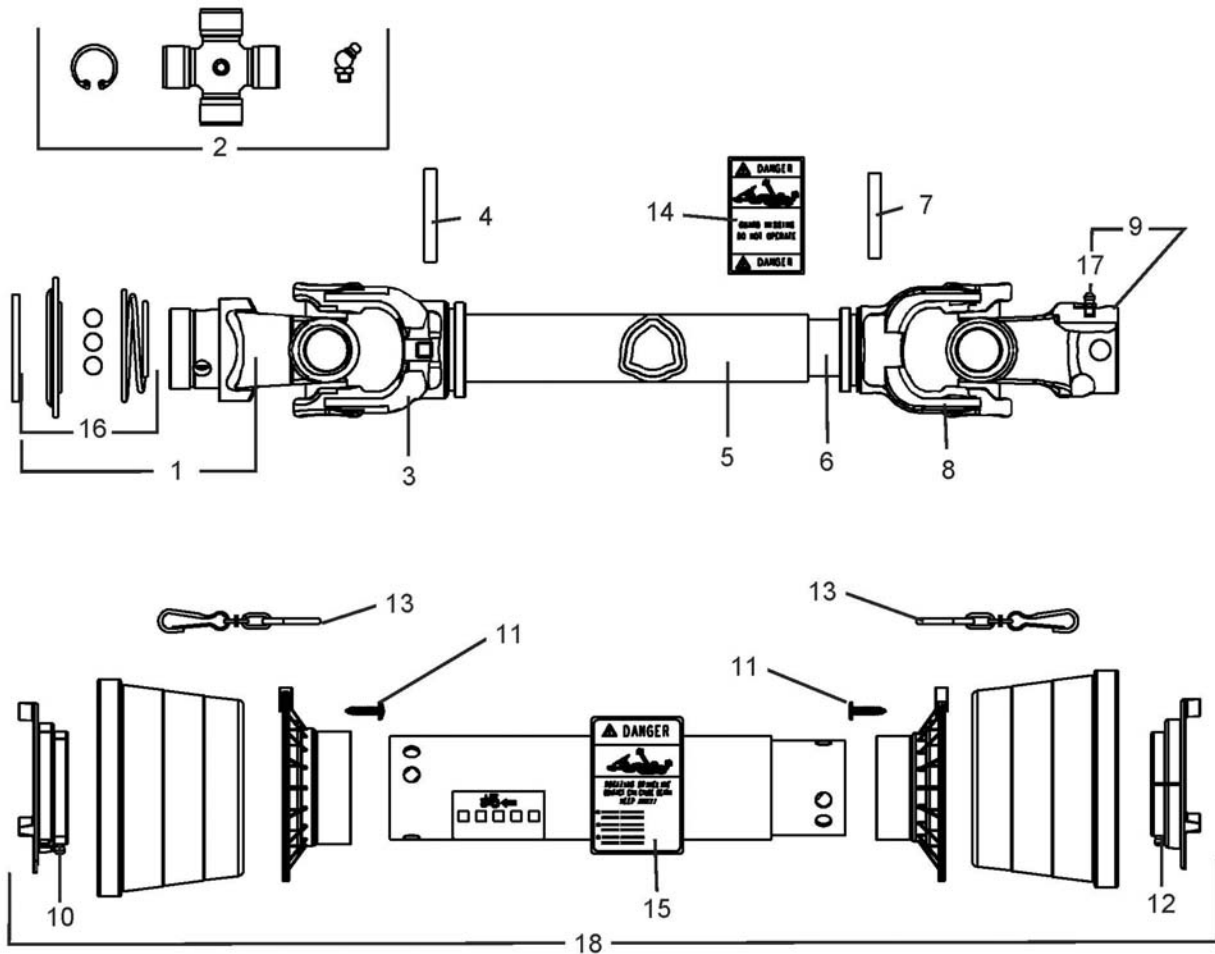
(Replaces the 50034238 Driveshaft Assy.)

ASAE Size 3

540 RPM, 1-3/8" - Spline Tractor & Shear Bolt Implement Yoke

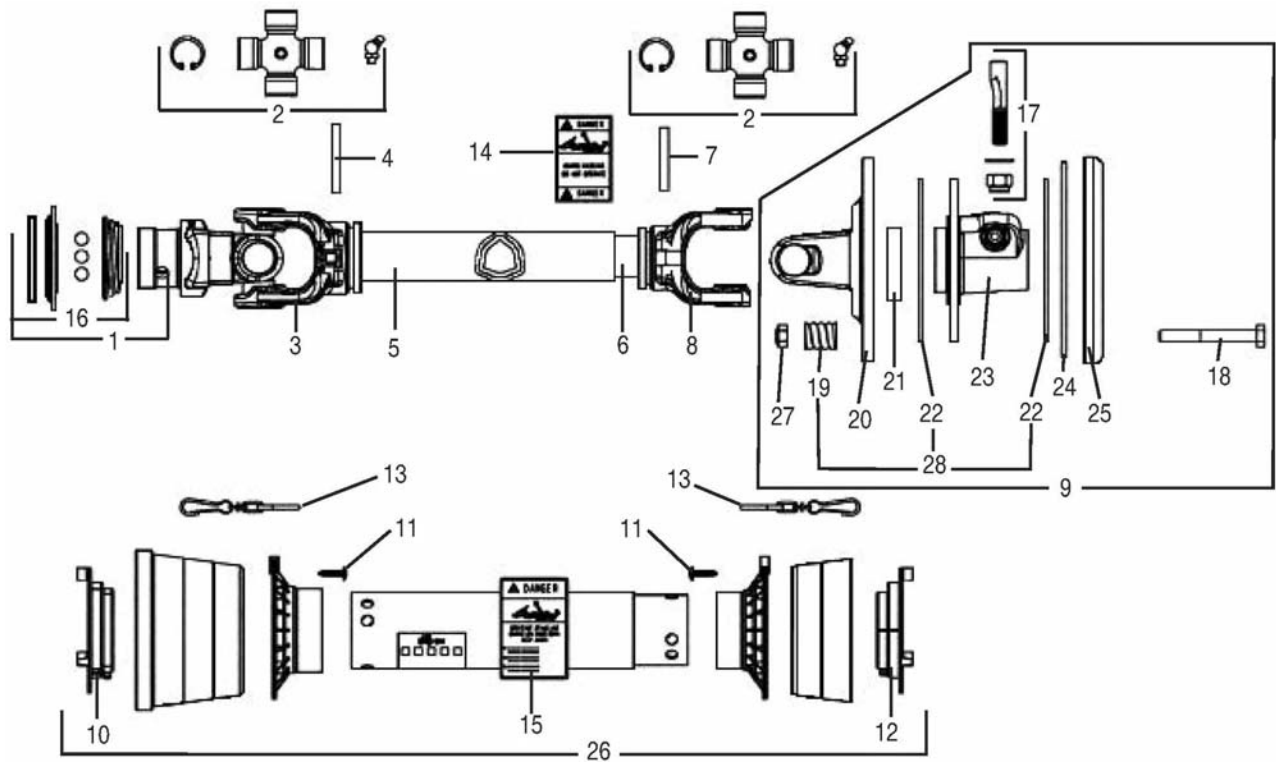
Mfd. by Bondioli & Pavesi

SQ142 & SQ148



| REF. NO. | PART NO. | QTY. | DESCRIPTION             |
|----------|----------|------|-------------------------|
| 1        | 50064902 | 1    | Tractor Yoke Assy.      |
| 2        | 64964    | 2    | Cross Bearing Kit       |
| 3        | 78571    | 1    | Yoke Outer Tube         |
| 4        | 78577    | 1    | Roll Pin for Outer Tube |
| 5        | 50064906 | 1    | Outer Tube              |
| 6        | 50064907 | 1    | Inner Tube              |
| 7        | 78578    | 1    | Roll Pin Inner Tube     |
| 8        | 78570    | 1    | Yoke for Inner Tube     |
| 9        | 64693    | 1    | Implement Yoke Assy.    |

| REF. NO. | PART NO. | QTY. | DESCRIPTION              |
|----------|----------|------|--------------------------|
| 10       | 50064911 | 1    | Outer Shield Bearing     |
| 11       | 71404    | 6    | Self Tapping Screw       |
| 12       | 50064912 | 1    | Inner Shield Bearing     |
| 13       | 50064890 | 2    | Shield Chain             |
| 14       | 78786    | 1    | Danger Decal, Outer Tube |
| 15       | 78608    | 1    | Danger Decal, Inner Tube |
| 16       | 50064645 | 1    | Ball Collar Kit          |
| 17       | 63946    | 1    | Grease Fitting           |
| 18       | 50064916 | 1    | Complete Shield Kit      |

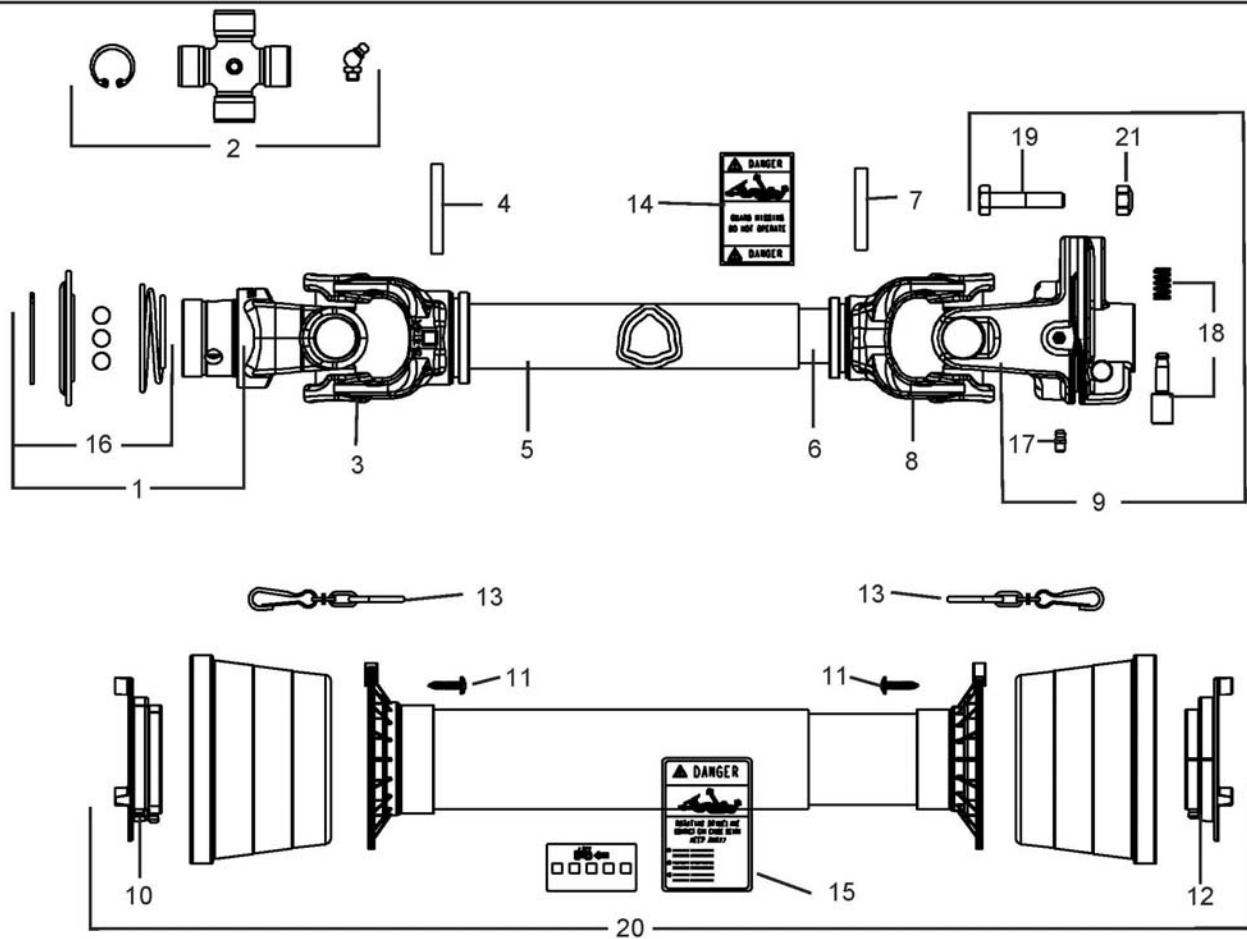


**50063611 DRIVESHAFT ASSY.**  
 Used On : SQ 160  
 (Replaces the 50034239 Driveshaft Assy.)  
 Mfd. by Bondioli & Pavesi  
 B & P Size 4 - ASAE Size 3  
 540 RPM

**50063614 DRIVESHAFT ASSY.**  
 Used On : SQ 172  
 (Replaces the 50034244 Driveshaft Assy.)  
 Mfd. by Bondioli & Pavesi  
 B & P Size 4 - ASAE Size 3  
 540 RPM

| REF. NO. | PART NO. | QTY. | DESCRIPTION                     |
|----------|----------|------|---------------------------------|
| 1        | 50064902 | 1    | Complete Collar Yoke            |
| 2        | 64694    | 2    | Cross Bearing Kit               |
| 3        | 78571    | 1    | Yoke for Outer Tube             |
| 4        | 78577    | 1    | Roll Pin, Outer Tube            |
| 5        | 50064906 | 1    | Outer Tube                      |
| 6        | 50064907 | 1    | Inner Tube                      |
| 7        | 78578    | 1    | Roll Pin, Inner Tube            |
| 8        | 78570    | 1    | Yoke for Inner Tube             |
| 9        | N/A      | 1    | Order Complete Driveline Assy.  |
| 10       | 50064911 | 1    | Outer Shield Bearing            |
| 11       | 71404    | 6    | Self Tapping Screw              |
| 12       | 50064912 | 1    | Inner Shield Bearing            |
| 13       | 50064890 | 2    | Chain, Shield                   |
| 14       | 78786    | 1    | Danger Decal, Outer Tube        |
| 15       | 78608    | 1    | Danger Decal, Outer Shield Tube |
| 16       | 50064645 | 1    | Ball Collar Repair Kit          |
| 17       | 50064192 | 1    | Taper Pin Kit                   |
| 18       | 44155    | 8    | Capscrew M10 x 1.5 x 85 Gr. 8.8 |
| 19       | 64657    | 8    | Spring                          |
| 20       | 50064173 | 1    | Flange Yoke                     |
| 21       | 64828    | 1    | Bushing #4 Clutch               |
| 22       | 50042344 | 2    | Lining, 77 x 141 x 3.2MM        |
| 23       | N/A      | 1    | Order Complete Driveline Assy.  |
| 24       | 50063437 | 1    | Inner Plate                     |
| 25       | 64649    | 1    | Pressure Plate                  |
| 26       | 50064920 | 1    | Shield Assy. Complete           |
| 27       | 44154    | 8    | Locknut, M10 x 1.5              |
| 28       | 50065270 | 1    | Torque Limiter Repair Kit       |

| REF. NO. | PART NO. | QTY. | DESCRIPTION                     |
|----------|----------|------|---------------------------------|
| 1        | 50064902 | 1    | Complete Collar Yoke            |
| 2        | 64694    | 2    | Cross Bearing Kit               |
| 3        | 78571    | 1    | Yoke for Outer Tube             |
| 4        | 78577    | 1    | Roll Pin, Outer Tube            |
| 5        | 50064929 | 1    | Outer Tube                      |
| 6        | 50064930 | 1    | Inner Tube                      |
| 7        | 78578    | 1    | Roll Pin, Inner Tube            |
| 8        | 78570    | 1    | Yoke for Inner Tube             |
| 9        | N/A      | 1    | Order Complete Driveline Assy.  |
| 10       | 50064911 | 1    | Outer Shield Bearing            |
| 11       | 71404    | 6    | Self Tapping Screw              |
| 12       | 50064912 | 1    | Inner Shield Bearing            |
| 13       | 50064890 | 2    | Chain, Shield                   |
| 14       | 78786    | 1    | Danger Decal, Outer Tube        |
| 15       | 78608    | 1    | Danger Decal, Outer Shield Tube |
| 16       | 50064645 | 1    | Ball Collar Repair Kit          |
| 17       | 50064192 | 1    | Taper Pin Kit                   |
| 18       | 44155    | 8    | Capscrew M10 x 1.5 x 85 Gr. 8.8 |
| 19       | 64657    | 8    | Spring                          |
| 20       | 50064173 | 1    | Flange Yoke                     |
| 21       | 64828    | 1    | Bushing #4 Clutch               |
| 22       | 50042344 | 2    | Lining, 77 x 141 x 3.2MM        |
| 23       | N/A      | 1    | Order Complete Driveline Assy.  |
| 24       | 50063437 | 1    | Inner Plate                     |
| 25       | 64649    | 1    | Pressure Plate                  |
| 26       | 50064933 | 1    | Shield Assy. Complete           |
| 27       | 44154    | 8    | Locknut, M10 x 1.5              |
| 28       | 50065270 | 1    | Torque Limiter Repair Kit       |



**50063612 DRIVESHAFT ASSY.**

Used On : SQ 160

(Replaces the 50034240 Driveshaft Assy.)

Mfd. by Bondioli & Pavesi

B & P Size 4 - ASAE Size 3

540 RPM

| REF. NO. | PART NO. | QTY. | DESCRIPTION                     |
|----------|----------|------|---------------------------------|
| 1        | 50064902 | 1    | Complete Collar Yoke            |
| 2        | 64694    | 2    | Cross Bearing Kit               |
| 3        | 78571    | 1    | Yoke for Outer Tube             |
| 4        | 78577    | 1    | Roll Pin, Outer Tube            |
| 5        | 50064906 | 1    | Outer Tube                      |
| 6        | 50064907 | 1    | Inner Tube                      |
| 7        | 78578    | 1    | Roll Pin, Inner Tube            |
| 8        | 78570    | 1    | Yoke for Inner Tube             |
| 9        | 50064921 | 1    | Shear Bolt Yoke Assy.           |
| 10       | 50064911 | 1    | Outer Shield Bearing            |
| 11       | 71404    | 6    | Self Tapping Screw              |
| 12       | 50064912 | 1    | Inner Shield Bearing            |
| 13       | 50064890 | 2    | Chain, Shield                   |
| 14       | 78786    | 1    | Danger Decal, Outer Tube        |
| 15       | 78608    | 1    | Danger Decal, Outer Shield Tube |
| 16       | 50064645 | 1    | Ball Collar Repair Kit          |
| 17       | 63946    | 1    | Grease Fitting                  |
| 18       | 63945    | 1    | Q.D. Pin Kit                    |
| 19       | 44247    | 1    | Capscrew M10 x 1.5 x 50 Gr.8.8  |
| 20       | 50064916 | 1    | Shield Kit Complete             |
| 21       | 44154    | 1    | Locknut, M10 x 1.5              |

**50063619 DRIVESHAFT ASSY.**

Used On : SQ 172

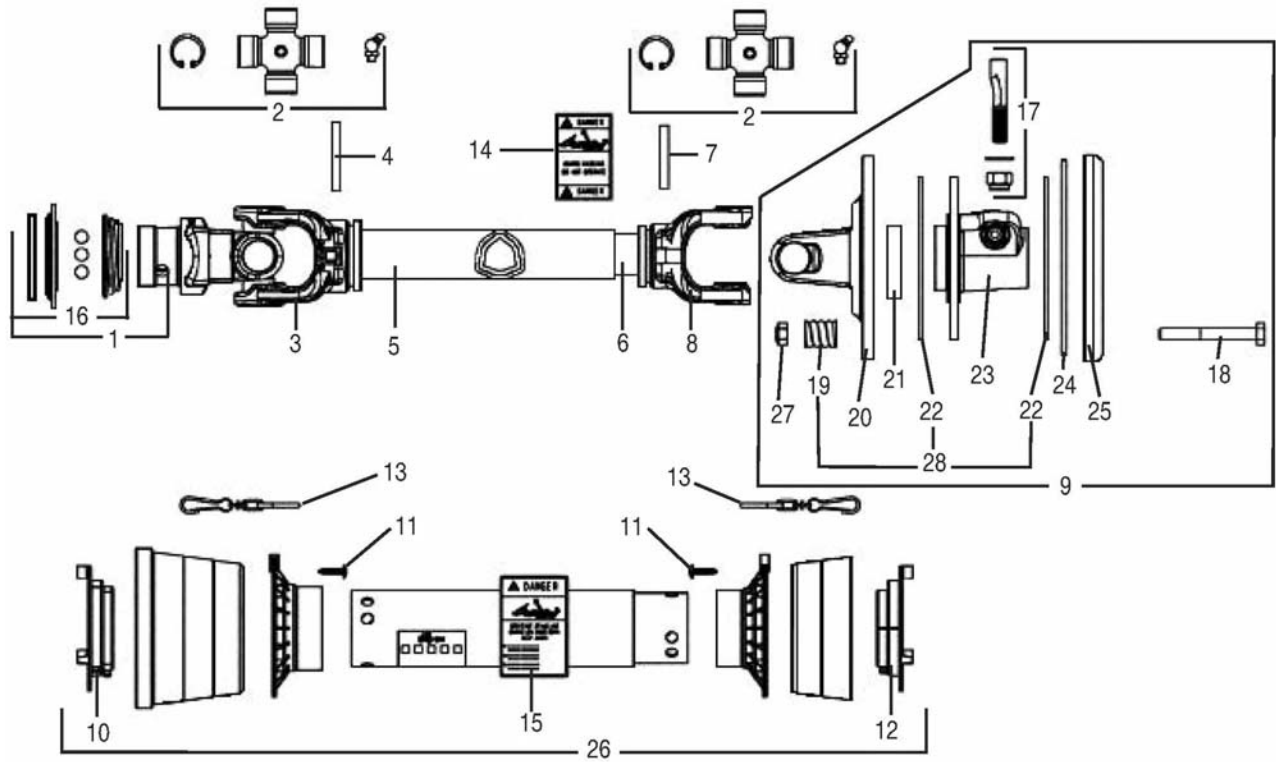
(Replaces the 50042263 Driveshaft Assy.)

Mfd. by Bondioli & Pavesi

B & P Size 5 - ASAE Size 4

540 RPM

| REF. NO. | PART NO. | QTY. | DESCRIPTION                     |
|----------|----------|------|---------------------------------|
| 1        | 50050660 | 1    | Complete Collar Yoke            |
| 2        | 50064881 | 2    | Cross Bearing Kit               |
| 3        | 66112    | 1    | Yoke for Outer Tube             |
| 4        | 71397    | 1    | Roll Pin, Outer Tube            |
| 5        | 50064944 | 1    | Outer Tube                      |
| 6        | 50064945 | 1    | Inner Tube                      |
| 7        | 66110    | 1    | Roll Pin, Inner Tube            |
| 8        | 66109    | 1    | Yoke for Inner Tube             |
| 9        | 50064946 | 1    | Shear Bolt Yoke Assy.           |
| 10       | 50064888 | 1    | Outer Shield Bearing            |
| 11       | 71404    | 6    | Self Tapping Screw              |
| 12       | 50064889 | 1    | Inner Shield Bearing            |
| 13       | 50064890 | 2    | Chain, Shield                   |
| 14       | 78786    | 1    | Danger Decal, Outer Tube        |
| 15       | 78608    | 1    | Danger Decal, Outer Shield Tube |
| 16       | 50064891 | 1    | Ball Collar Repair Kit          |
| 17       | 63946    | 1    | Grease Fitting                  |
| 18       | 63945    | 1    | Q.D. Pin Kit                    |
| 19       | 44192    | 1    | Capscrew M8 x 1.25 x 50 Gr.8.8  |
| 20       | 50064949 | 1    | Shield Kit Complete             |
| 21       | 44185    | 1    | Locknut, M8 x 1.25              |

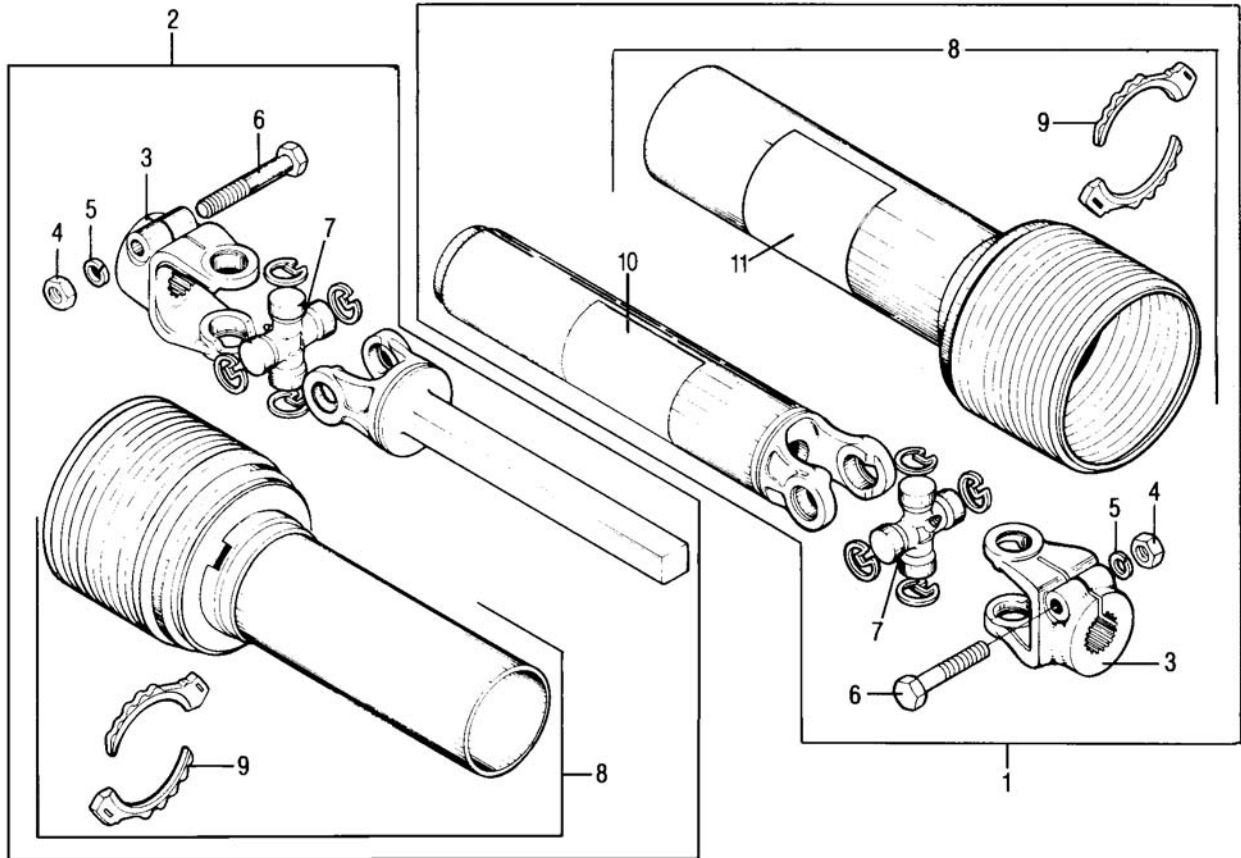


**50063608 DRIVESHAFT ASSY.**  
 Used On : SQ 184  
 (Replaces the 50034236 Driveshaft Assy.)  
 Mfd. by Bondioli & Pavesi  
 B & P Size 5 - ASAE Size 4  
 540 RPM

| REF. NO. | PART NO. | QTY. | DESCRIPTION                    |
|----------|----------|------|--------------------------------|
| 1        | 50050660 | 1    | Complete Collar Yoke           |
| 2        | 50064881 | 2    | Cross Bearing Kit              |
| 3        | 66112    | 1    | Yoke for Outer Tube            |
| 4        | 71397    | 1    | Roll Pin, Outer Tube           |
| 5        | 68998    | 1    | Outer Tube                     |
| 6        | 50064898 | 1    | Inner Tube                     |
| 7        | 66110    | 1    | Roll Pin, Inner Tube           |
| 8        | 66109    | 1    | Yoke for Inner Tube            |
| 9        | N/A      | 1    | Order Complete Driveline Assy. |
| 10       | 50064888 | 1    | Outer Shield Bearing           |
| 11       | 71404    | 6    | Self Tapping Screw             |
| 12       | 50064889 | 1    | Inner Shield Bearing           |
| 13       | 50064890 | 2    | Chain, Shield                  |
| 14       | 78786    | 1    | Danger Decal, Outer Tube       |

| REF. NO. | PART NO. | QTY. | DESCRIPTION                     |
|----------|----------|------|---------------------------------|
| 15       | 78608    | 1    | Danger Decal, Outer Shield Tube |
| 16       | 50064891 | 1    | Ball Collar Repair Kit          |
| 17       | 50064192 | 1    | Taper Pin Kit                   |
| 18       | 44155    | 8    | Capscrew M10 x 1.5 x 85 Gr. 8.8 |
| 19       | 50056451 | 8    | Spring 7mm                      |
| 20       | N/A      | 1    | Order Complete Driveline Assy.  |
| 21       | 64828    | 1    | Bushing #4 Clutch               |
| 22       | 50042344 | 2    | Lining, 77 x 141 x 3.2MM        |
| 23       | N/A      | 1    | Order Complete Driveline Assy.  |
| 24       | 50063437 | 1    | Inner Plate                     |
| 25       | 64649    | 1    | Pressure Plate                  |
| 26       | 50064901 | 1    | Shield Assy. Complete           |
| 27       | 44154    | 8    | Locknut, M10 x 1.5              |
| 28       | 50065271 | 1    | Torque Limiter Repair Kit       |

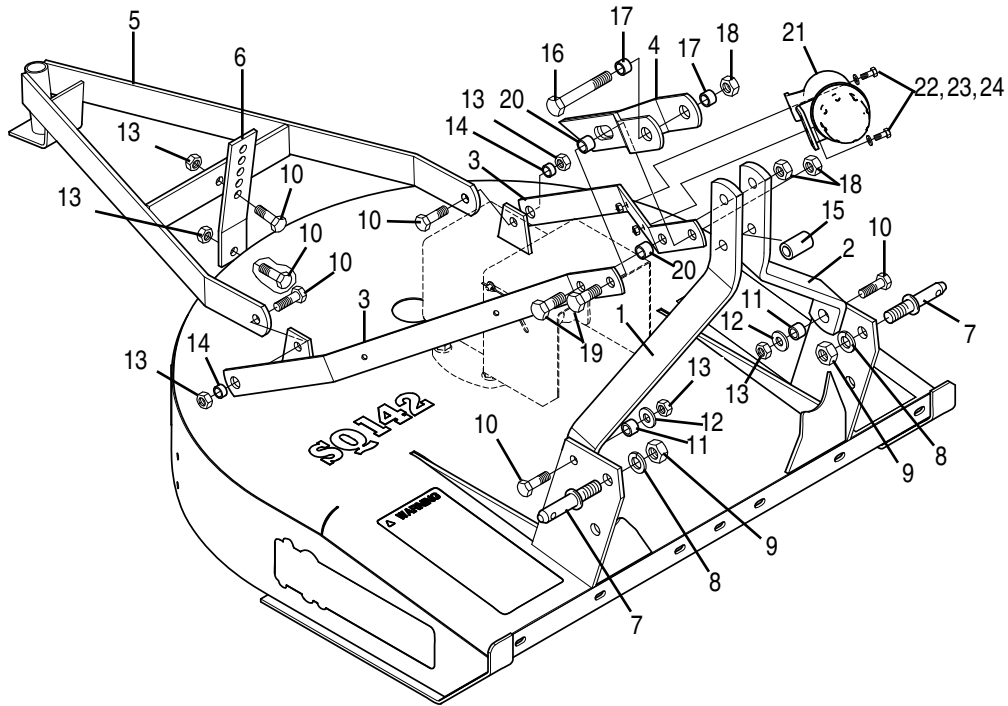




**79008 OUTBOARD DRIVESHAFT ASSEMBLY**  
**HAYES DANA SERIES 1240**  
*Used on Model SQ84T*

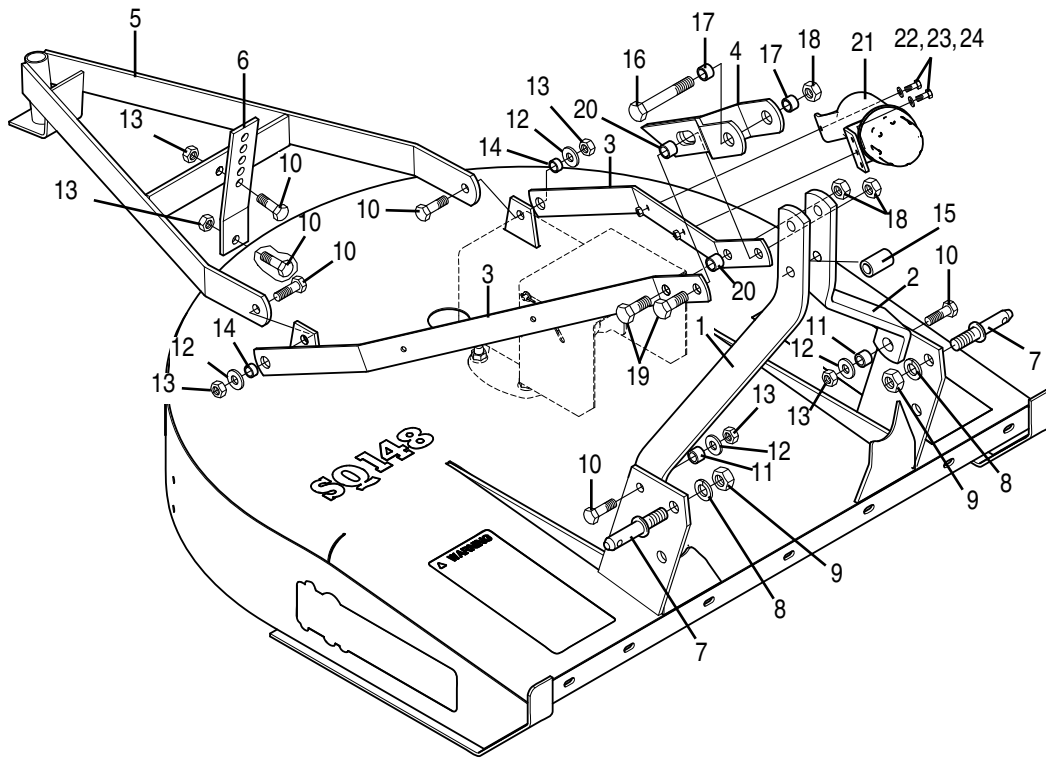
| REF. NO. | PART NO. | QTY. | DESCRIPTION                     |
|----------|----------|------|---------------------------------|
| 1        | 80314    | 1    | Shielded Outer Half Assy.       |
| 2        | 80313    | 1    | Shielded Inner Half Assy.       |
| 3        | 80316    | 2    | Yoke                            |
| 4        | 8151600  | 2    | Hex Nut 1/2" - 13 UNC           |
| 5        | 15806    | 2    | Lockwasher 1/2"                 |
| 6        | 19044    | 2    | Capscrew 1/2" - 13 UNC x 2-3/4" |
| 7        | 80315    | 2    | Cross Bearing kit               |
| 8        | 80312    | 1    | Shield Kit w/ Bearings          |
| 9        | 80068    | 4    | Shield Bearing                  |
| 10       | 78608    | 1    | Decal, Shield Missing           |
| 11       | 78786    | 1    | Decal                           |





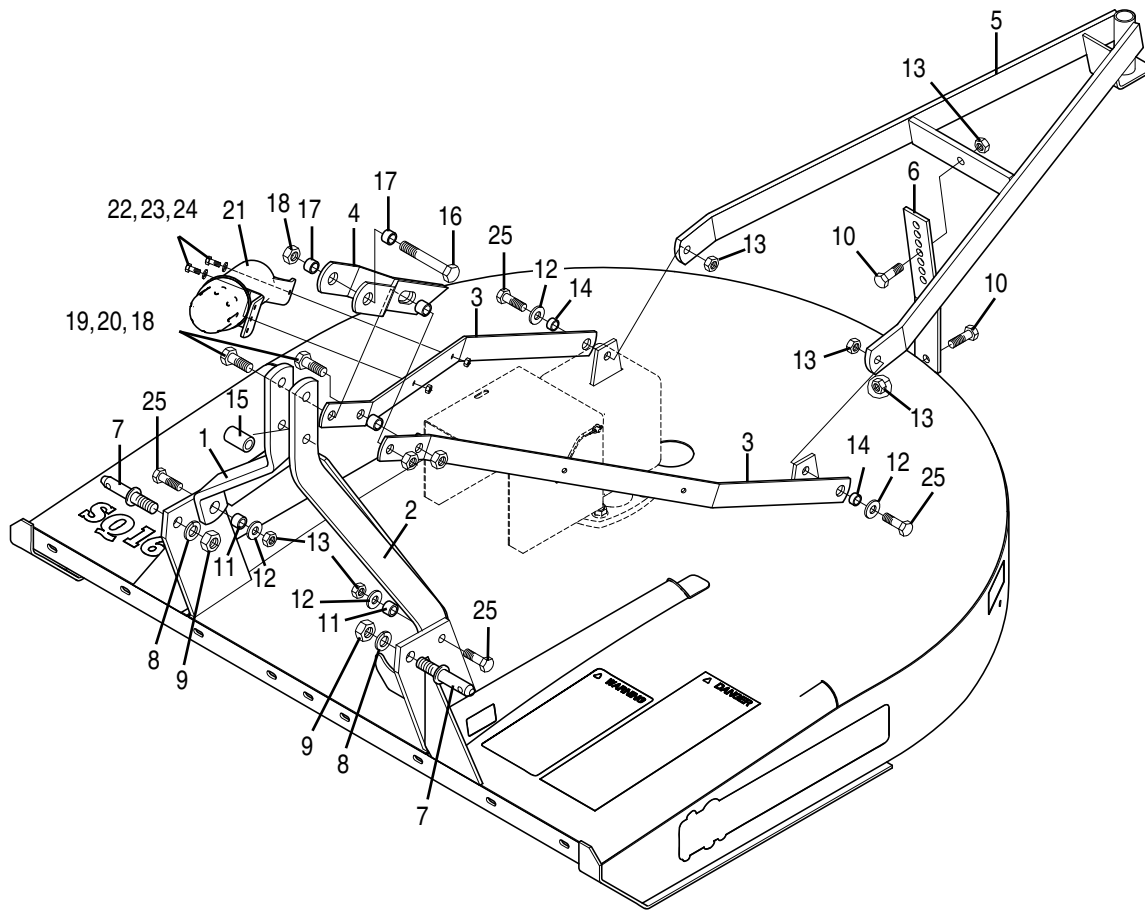
**3 POINT LIFT AND TAILWHEEL FRAME  
FOR  
SQ142 SQUEALER**

| REF. NO. | PART NO. | QTY. | DESCRIPTION                    |
|----------|----------|------|--------------------------------|
| 1        | 50055056 | 1    | RH Mast Half                   |
| 2        | 50055055 | 1    | LH Mast Half                   |
| 3        | 50055235 | 2    | Yoke, 42"                      |
| 4        | 50050388 | 1    | Pivot Arm Weldment             |
| 5        | 50055244 | 1    | Tailwheel Frame Weldment       |
| 6        | 50055237 | 1    | Adjuster Bar                   |
| 7        | 63765    | 2    | Lift Pin Cat. 1                |
| 8        | 15824    | 2    | Lockwasher 7/8"                |
| 9        | 44061    | 2    | Hex Nut 7/8" UNF               |
| 10       | —        | 6    | Capscrew 5/8" x 2" Gr. 5       |
| 11       | 50050555 | 2    | Strut Weldment Bushing         |
| 12       | —        | 2    | Flatwasher 5/8"                |
| 13       | 15598    | 6    | Locknut 5/8"                   |
| 14       | 50050395 | 2    | Yoke Bushing                   |
| 15       | 50033665 | 1    | Cat. 1 Quick Hitch Top Bushing |
| 16       | —        | 1    | Capscrew 3/4" x 5-1/2" Gr. 5   |
| 17       | 50050392 | 2    | Spacer Bushing                 |
| 18       | 20638    | 3    | Locknut 3/4"                   |
| 19       | —        | 2    | Capscrew 3/4" x 2" Gr. 5       |
| 20       | 50050393 | 2    | Wear Bushing                   |
| 21       | 50035829 | 1    | Owners Manual Tube             |
| 22       | —        | 2    | Capscrew 5/16" x 1" Gr. 5      |
| 23       | —        | 2    | Flatwasher 5/16"               |
| 24       | 15602    | 2    | Locknut 5/16"                  |



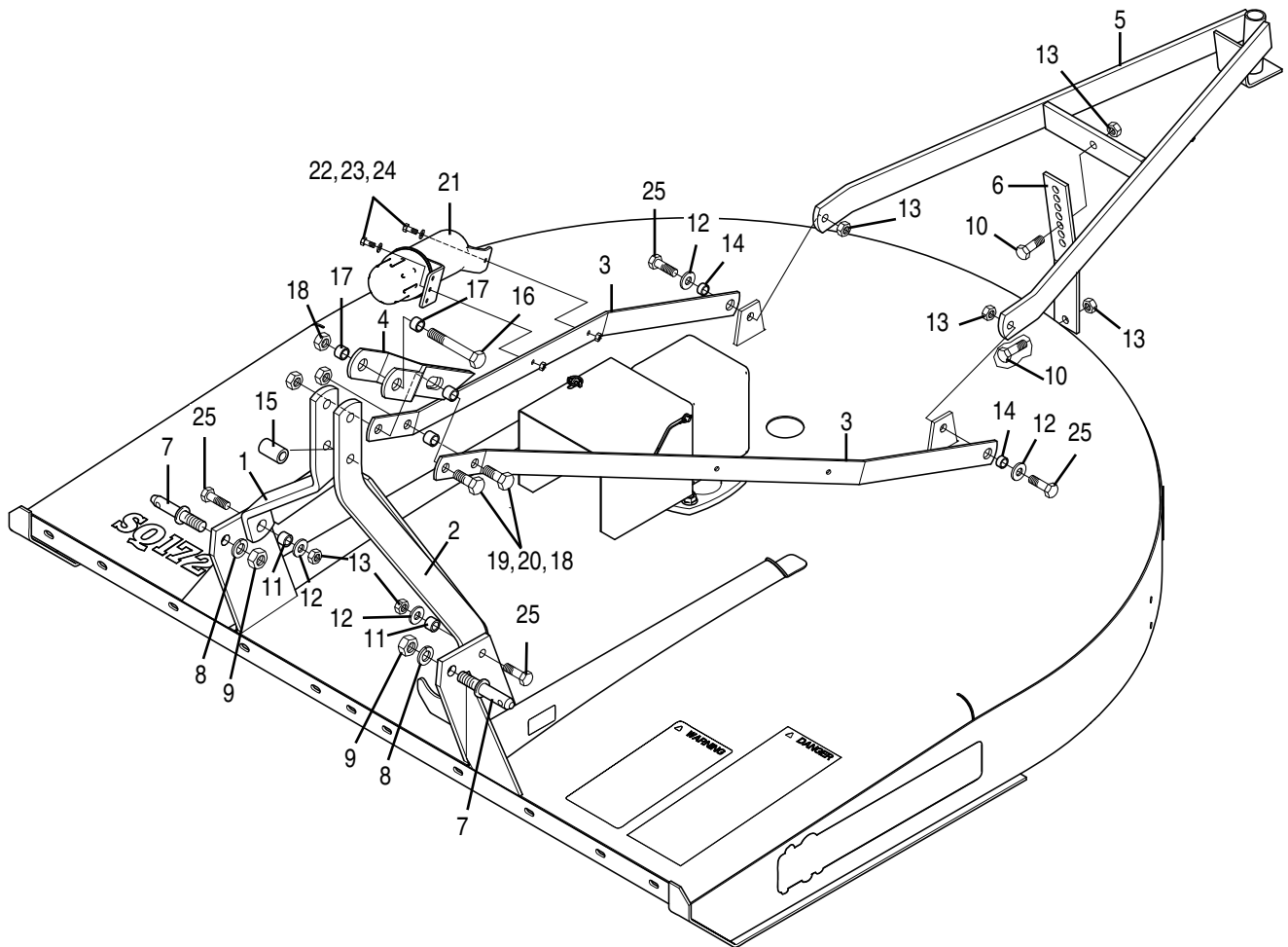
**QUICK ATTACH 3 POINT LIFT AND TAILWHEEL FRAME  
FOR  
SQ148 SQUEALER**

| REF. NO. | PART NO. | QTY. | DESCRIPTION                    |
|----------|----------|------|--------------------------------|
| 1        | 50055056 | 1    | RH Mast Half                   |
| 2        | 50055055 | 1    | LH Mast Half                   |
| 3        | 50055505 | 2    | Yoke, 48"                      |
| 4        | 50050388 | 1    | Pivot Arm Weldment             |
| 5        | 50055244 | 1    | Tailwheel Frame Weldment       |
| 6        | 50055237 | 1    | Adjuster Bar                   |
| 7        | 63765    | 2    | Lift Pin Cat. 1                |
| 8        | 15824    | 2    | Lockwasher 7/8"                |
| 9        | 44061    | 2    | Hex Nut 7/8" UNF               |
| 10       | —        | 6    | Capscrew 5/8" x 2-1/4" Gr. 5   |
| 11       | 50050555 | 2    | Strut Weldment Bushing         |
| 12       | —        | 4    | Flatwasher 5/8"                |
| 13       | 15598    | 6    | Locknut 5/8"                   |
| 14       | 50050395 | 2    | Yoke Bushing                   |
| 15       | 50033665 | 1    | Cat. 1 Quick Hitch Top Bushing |
| 16       | —        | 1    | Capscrew 3/4" x 5-1/2" Gr. 5   |
| 17       | 50050392 | 2    | Spacer Bushing                 |
| 18       | 20638    | 3    | Locknut 3/4"                   |
| 19       | —        | 2    | Capscrew 3/4" x 2" Gr. 5       |
| 20       | 50050393 | 2    | Wear Bushing                   |
| 21       | 50035829 | 1    | Owners Manual Tube             |
| 22       | —        | 2    | Capscrew 5/16" x 1" Gr. 5      |
| 23       | —        | 2    | Flatwasher 5/16"               |
| 24       | 15602    | 2    | Locknut 5/16"                  |



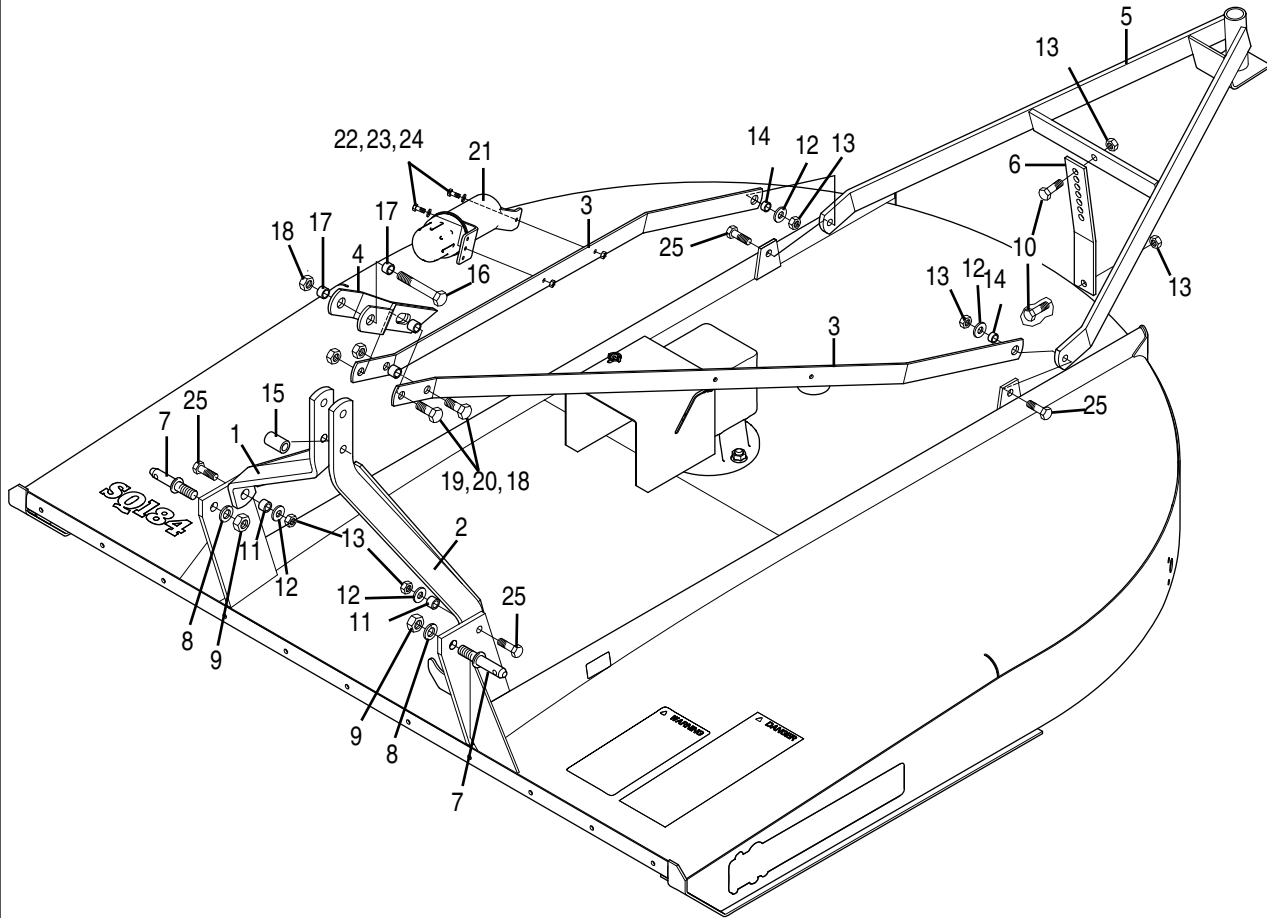
**QUICK ATTACH 3 POINT LIFT AND TAILWHEEL FRAME  
FOR  
SQ160 SQUEALER**

| REF. NO. | PART NO. | QTY. | DESCRIPTION              | REF. NO. | PART NO. | QTY. | DESCRIPTION                    |
|----------|----------|------|--------------------------|----------|----------|------|--------------------------------|
| 1        | 50055421 | 1    | RH Strut Weldment        | 13       | 15598BH  | 6    | Locknut 5/8"                   |
| 2        | 50055422 | 1    | LH Strut Weldment        | 14       | 50050395 | 2    | Yoke Bushing                   |
| 3        | 50056611 | 2    | Yoke, 5'                 | 15       | 50033665 | 1    | Cat. 1 Quick Hitch Top Bushing |
| 4        | 50050388 | 1    | Pivot Arm Weldment       | 16       | 19037    | 1    | Capscrew 3/4" x 5-1/2" Gr. 5   |
| 5        | 50055253 | 1    | Tailwheel Frame Weldment | 17       | 50050392 | 2    | Spacer Bushing                 |
| 6        | 50055257 | 1    | Adjustment Bar           | 18       | 20638    | 3    | Locknut 3/4"                   |
| 7        | 63765    | 2    | Lift Pin Cat. 1          | 19       | 20202    | 2    | Capscrew 3/4" x 2" Gr. 5       |
| 8        | 15824    | 2    | Lockwasher 7/8"          | 20       | 50050393 | 2    | Wear Bushing                   |
| 9        | 44061BH  | 2    | Hex Nut 7/8" UNF         | 21       | 50035829 | 1    | Owners Manual Tube             |
| 10       | 20947    | 2    | Capscrew 5/8" x 2" Gr. 5 | 22       | 1161610  | 2    | Capscrew 5/16" x 1" Gr. 5      |
| 11       | 50050555 | 2    | Strut Weldment Bushing   | 23       | 15918BH  | 2    | Flatwasher 5/16"               |
| 12       | 15925    | 4    | Flatwasher 5/8"          | 24       | 15602BH  | 2    | Locknut 5/16"                  |
|          |          |      |                          | 25       | 19053    | 4    | Capscrew 5/8" x 2-1/4" Gr. 5   |



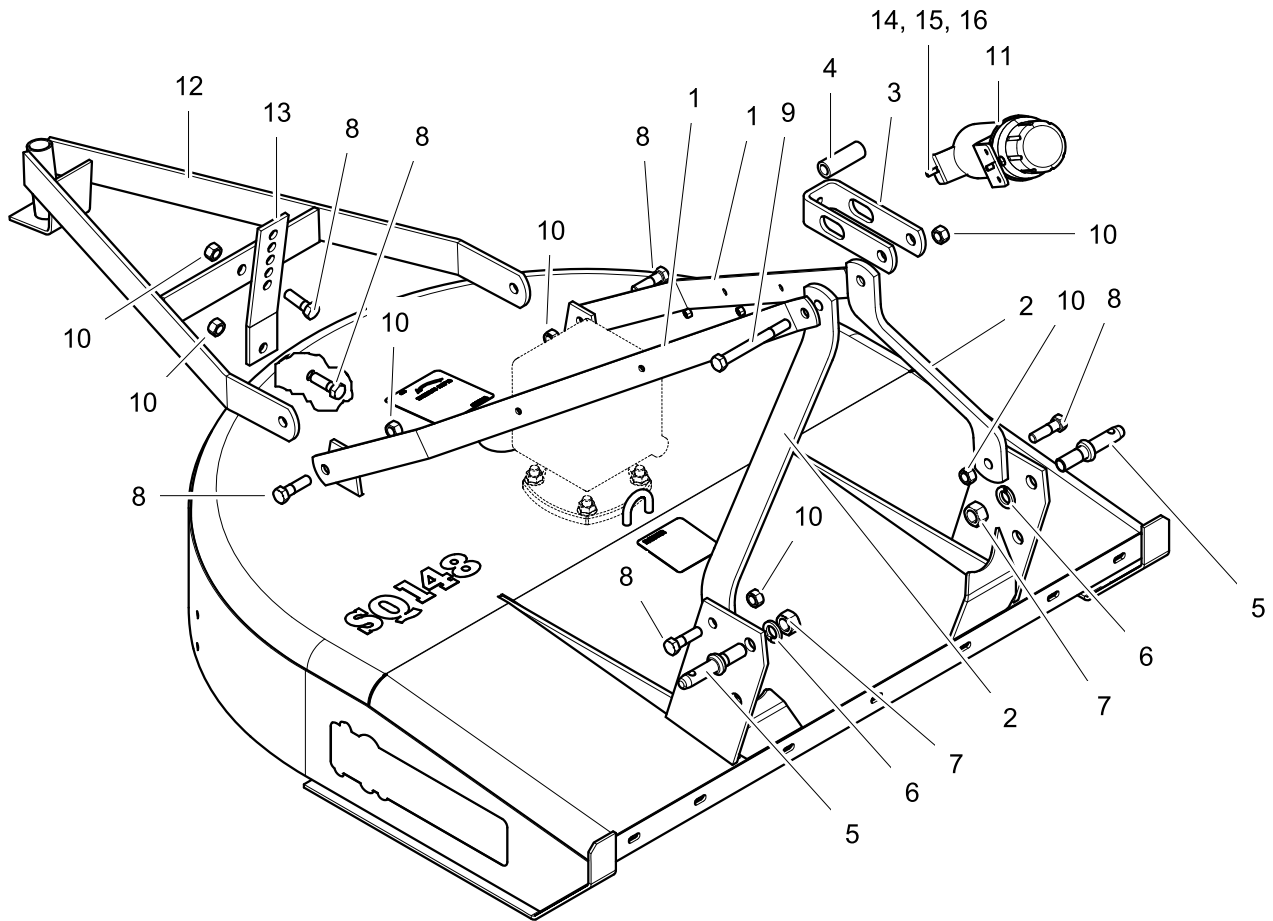
**QUICK ATTACH 3 POINT LIFT AND TAILWHEEL FRAME  
FOR  
SQ172 SQUEALER**

| REF. NO. | PART NO. | QTY. | DESCRIPTION              | REF. NO. | PART NO. | QTY. | DESCRIPTION                    |
|----------|----------|------|--------------------------|----------|----------|------|--------------------------------|
| 1        | 50055421 | 1    | RH Strut Weldment        | 14       | 50050395 | 2    | Yoke Bushing                   |
| 2        | 50055422 | 1    | LH Strut Weldment        | 15       | 50033665 | 1    | Cat. 1 Quick Hitch Top Bushing |
| 3        | 50055252 | 2    | Yoke, 6'                 | 16       | 19037    | 1    | Capscrew 3/4" x 5-1/2" Gr. 5   |
| 4        | 50050388 | 1    | Pivot Arm Weldment       | 17       | 50050392 | 2    | Spacer Bushing                 |
| 5        | 50055253 | 1    | Tailwheel Frame Weldment | 18       | 20638    | 3    | Locknut 3/4"                   |
| 6        | 50055257 | 1    | Adjustment Bar           | 19       | 20202    | 2    | Capscrew 3/4" x 2" Gr. 5       |
| 7        | 63765    | 2    | Lift Pin Cat. 1          | 20       | 50050393 | 2    | Wear Bushing                   |
| 8        | 15824    | 2    | Lockwasher 7/8"          | 21       | 50035829 | 1    | Owners Manual Tube             |
| 9        | 44061BH  | 2    | Hex Nut 7/8" UNF         | 22       | 1161010  | 2    | Capscrew 5/16" x 1" Gr. 5      |
| 10       | 20947    | 2    | Capscrew 5/8" x 2" Gr. 5 | 23       | 15907BH  | 2    | Flatwasher 5/16"               |
| 11       | 50050555 | 2    | Strut Weldment Bushing   | 24       | 15602BH  | 2    | Locknut 5/16"                  |
| 12       | 15925    | 4    | Flatwasher 5/8"          | 25       | 19053    | 4    | Capscrew 5/8" x 2-1/4" Gr. 5   |
| 13       | 15598BH  | 6    | Locknut 5/8"             |          |          |      |                                |



**QUICK ATTACH 3 POINT LIFT AND TAILWHEEL FRAME  
FOR  
SQ184 SQUEALER**

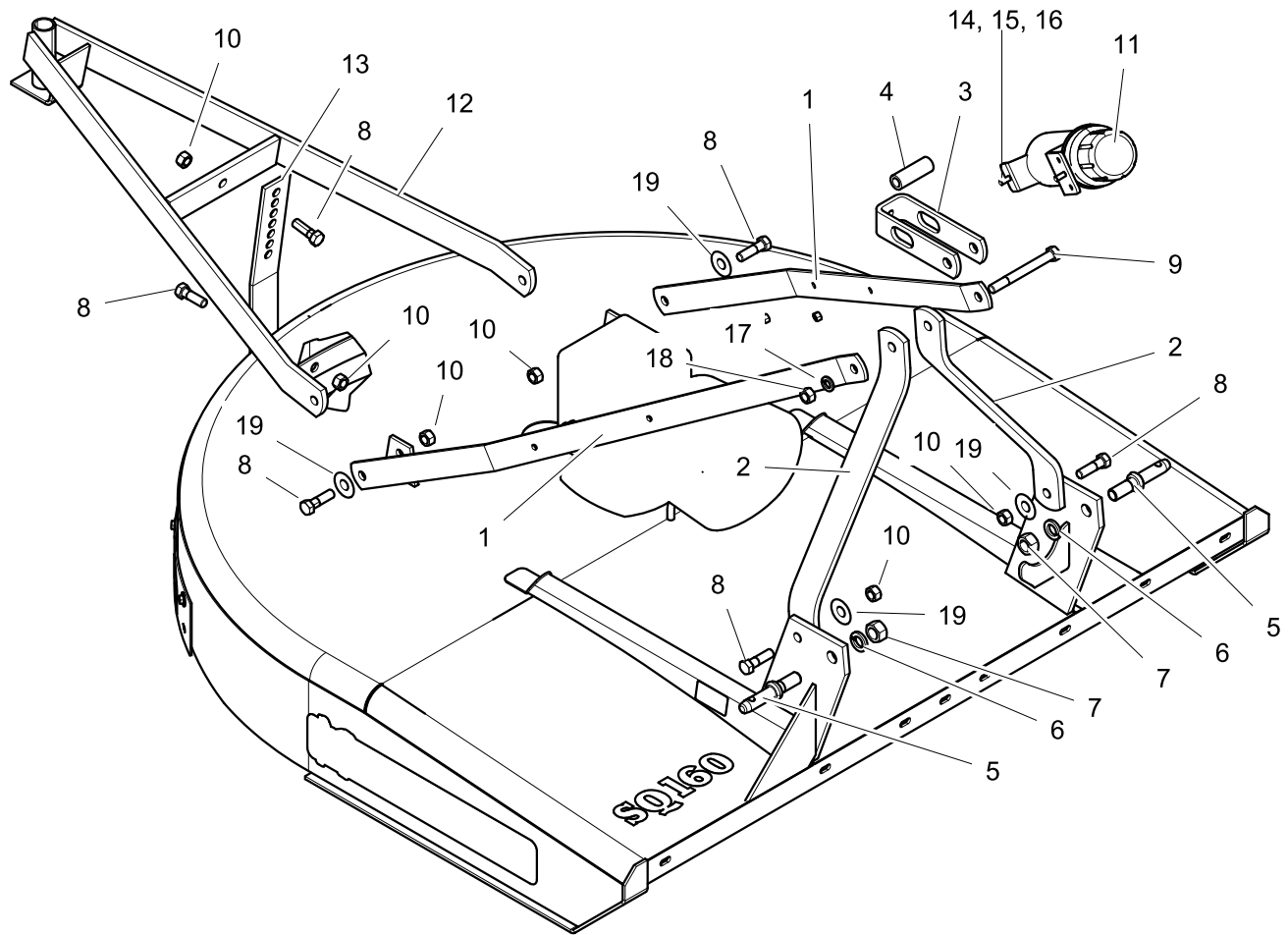
| REF. NO. | PART NO. | QTY. | DESCRIPTION              | REF. NO. | PART NO. | QTY. | DESCRIPTION                    |
|----------|----------|------|--------------------------|----------|----------|------|--------------------------------|
| 1        | 50055071 | 1    | RH Mast Weldment         | 14       | 50050395 | 2    | Yoke Bushing                   |
| 2        | 50055069 | 1    | LH Mast Weldment         | 15       | 50033665 | 1    | Cat. 1 Quick Hitch Top Bushing |
| 3        | 50055068 | 2    | Yoke, 7'                 | 16       | 19037    | 1    | Capscrew 3/4" x 5-1/2" Gr. 5   |
| 4        | 50050388 | 1    | Pivot Arm Weldment       | 17       | 50050392 | 2    | Spacer Bushing                 |
| 5        | 50068504 | 1    | Tailwheel Frame Weldment | 18       | 20638    | 3    | Locknut 3/4"                   |
| 6        | 50055257 | 1    | Adjustment Bar           | 19       | 20202    | 2    | Capscrew 3/4" x 2" Gr. 5       |
| 7        | 197      | 2    | Lift Pin Cat. 1          | 20       | 50050393 | 2    | Wear Bushing                   |
| 8        | 15824    | 2    | Lockwasher 7/8"          | 21       | 50035829 | 1    | Owners Manual Tube             |
| 9        | 44061BH  | 2    | Hex Nut 7/8" UNF         | 22       | 15086BH  | 2    | Capscrew 5/16" x 1-1/4" Gr. 5  |
| 10       | 20947    | 2    | Capscrew 5/8" x 2" Gr. 5 | 23       | 15907BH  | 2    | Flatwasher 5/16"               |
| 11       | 50050555 | 2    | Strut Weldment Bushing   | 24       | 15602BH  | 2    | Locknut 5/16"                  |
| 12       | 15925    | 4    | Flatwasher 5/8"          | 25       | 19053    | 4    | Capscrew 5/8" x 2-1/4" Gr. 5   |
| 13       | 15598BH  | 6    | Locknut 5/8"             |          |          |      |                                |



**STANDARD HITCH 3 POINT LIFT AND TAILWHEEL FRAME  
FOR  
SQ148 SQUEALER**

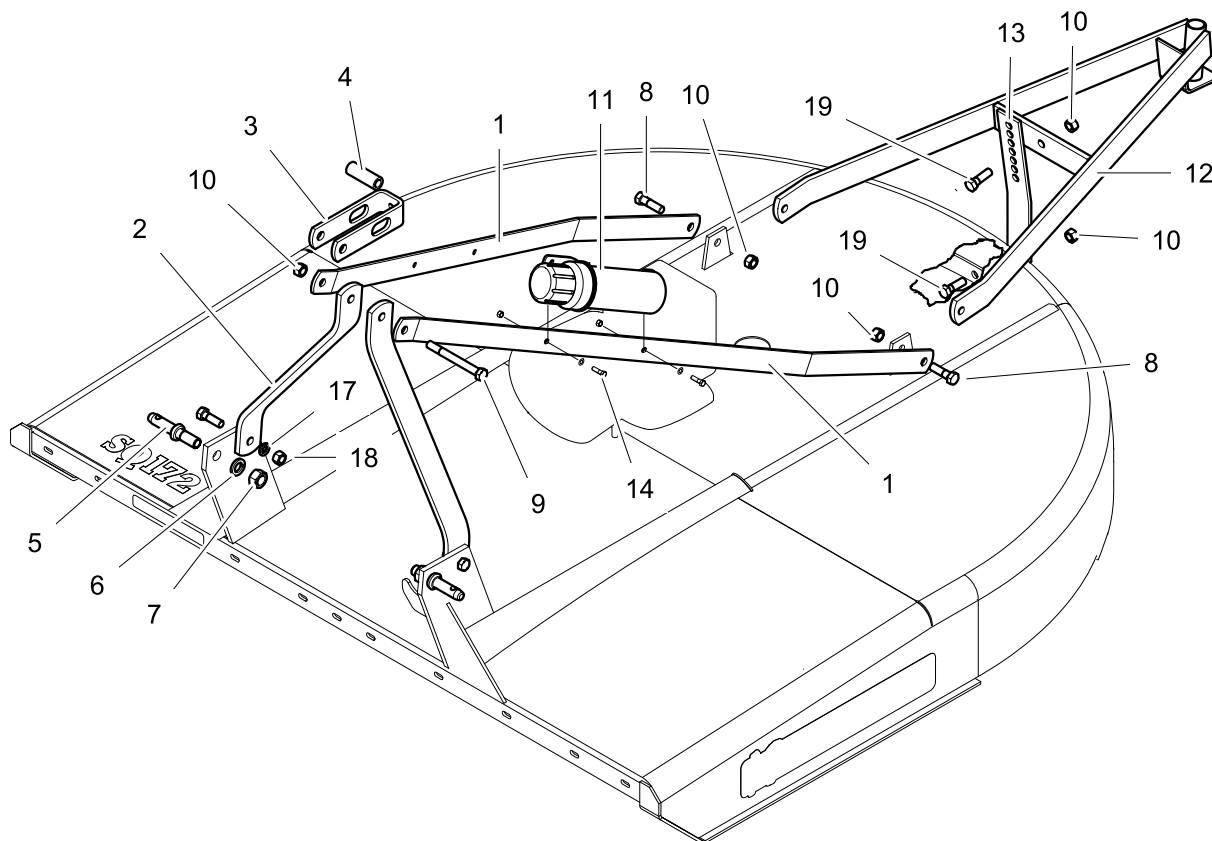
| REF. NO. | PART NO. | QTY. | DESCRIPTION                |
|----------|----------|------|----------------------------|
| 1        | 50068578 | 2    | Yoke                       |
| 2        | 50068579 | 2    | Upper Strut, Cat 1         |
| 3        | 64114    | 1    | Flex Link                  |
| 4        | 64113    | 1    | Pivot Tube                 |
| 5        | 63765    | 2    | Lift Pin, Cat 1            |
| 6        | 15824    | 2    | Lockwasher 7/8"            |
| 7        | 44061BH  | 2    | Hex Nut 7/8" NF            |
| 8        | 19053    | 6    | Capscrew 5/8" x 2-14" Gr.5 |
| 9        | 20923    | 1    | Capscrew 5/9" x 6" Gr.5    |
| 10       | 15598BH  | 7    | Locknut 5/8"               |
| 11       | 50035829 | 1    | Owners Manual Tube         |
| 12       | 50055244 | 1    | Tailwheel Frame Weldment   |
| 13       | 50055237 | 1    | Adjuster Bar               |
| 14       | -----    | 2    | Capscrew 5/16" x 1"        |
| 15       | -----    | 2    | Flatwasher 5/16"           |
| 16       | -----    | 2    | Locknut 5/16"              |





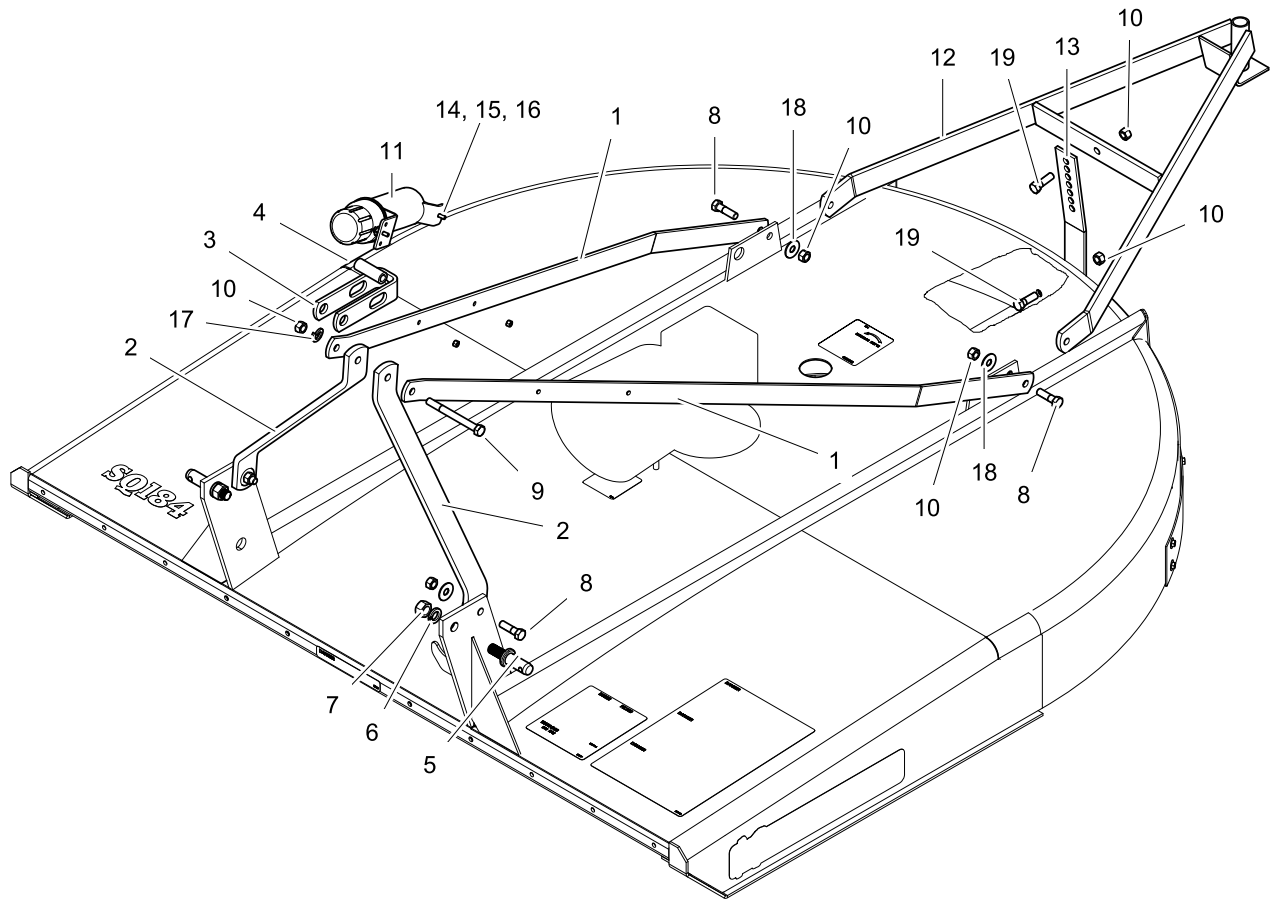
**STANDARD HITCH 3 POINT LIFT AND TAILWHEEL FRAME  
FOR  
SQ160 SQUEALER**

| REF. NO. | PART NO. | QTY. | DESCRIPTION                |
|----------|----------|------|----------------------------|
| 1        | 50068559 | 2    | Yoke                       |
| 2        | 50068579 | 2    | Upper Strut, Cat 1         |
| 3        | 64114    | 1    | Flex Link                  |
| 4        | 64113    | 1    | Pivot Tube                 |
| 5        | 63765    | 2    | Lift Pin, Cat 1            |
| 6        | 15824    | 2    | Lockwasher 7/8"            |
| 7        | 44061BH  | 2    | Hex Nut 7/8" NF            |
| 8        | 19053    | 6    | Capscrew 5/8" x 2-14" Gr.5 |
| 9        | 20923    | 1    | Capscrew 5/8" x 6" Gr.5    |
| 10       | 15598BH  | 7    | Locknut 5/8"               |
| 11       | 50035829 | 1    | Owners Manual Tube         |
| 12       | 50055244 | 1    | Tailwheel Frame Weldment   |
| 13       | 50055237 | 1    | Adjuster Bar               |
| 14       | -----    | 2    | Capscrew 5/16" x 1"        |
| 15       | -----    | 2    | Flatwasher 5/16"           |
| 16       | -----    | 2    | Locknut 5/16"              |
| 17       | 19486    | 1    | Lockwasher 5/8"            |
| 18       | 20923    | 1    | Hex Nut 5/8"               |
| 19       | 15925    | 4    | Flatwasher 5/8"            |



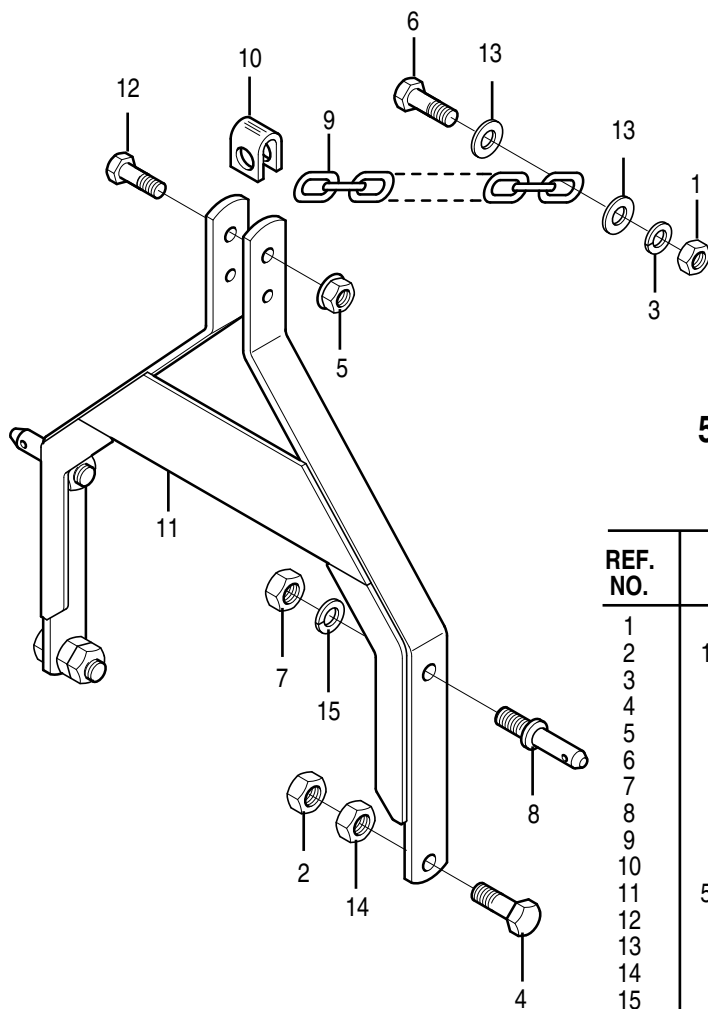
**STANDARD HITCH 3 POINT LIFT AND TAILWHEEL FRAME  
FOR  
SQ172 SQUEALER**

| REF. NO. | PART NO. | QTY. | DESCRIPTION                |
|----------|----------|------|----------------------------|
| 1        | 50068560 | 2    | Yoke                       |
| 2        | 50068579 | 2    | Upper Strut, Cat 1         |
| 3        | 64114    | 1    | Flex Link                  |
| 4        | 64113    | 1    | Pivot Tube                 |
| 5        | 63765    | 2    | Lift Pin, Cat 1            |
| 6        | 15824    | 2    | Lockwasher 7/8"            |
| 7        | 44061BH  | 2    | Hex Nut 7/8" NF            |
| 8        | 19053    | 6    | Capscrew 5/8" x 2-14" Gr.5 |
| 9        | 20923    | 1    | Capscrew 5/8" x 6" Gr.5    |
| 10       | 15598BH  | 7    | Locknut 5/8"               |
| 11       | 50035829 | 1    | Owners Manual Tube         |
| 12       | 50055253 | 1    | Tailwheel Frame Weldment   |
| 13       | 50055237 | 1    | Adjuster Bar               |
| 14       | -----    | 2    | Capscrew 5/16" x 1"        |
| 15       | -----    | 2    | Flatwasher 5/16"           |
| 16       | -----    | 2    | Locknut 5/16"              |
| 17       | 19486    | 1    | Lockwasher 5/8"            |
| 18       | 20923    | 1    | Hex Nut 5/8"               |
| 19       | 20947    | 2    | Capscrew 5/8" x 2" Gr.5    |



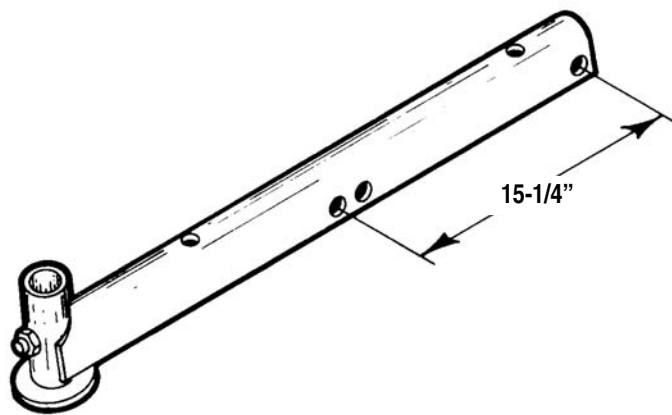
**STANDARD HITCH 3 POINT LIFT AND TAILWHEEL FRAME  
FOR  
SQ184 SQUEALER**

| REF. NO. | PART NO. | QTY. | DESCRIPTION                 |
|----------|----------|------|-----------------------------|
| 1        | 50068491 | 2    | Yoke                        |
| 2        | 50017059 | 2    | Upper Strut, Cat 1          |
| 3        | 64265    | 1    | Flex Link                   |
| 4        | 64113    | 1    | Pivot Tube                  |
| 5        | 197      | 2    | Lift Pin, Cat II            |
| 6        | 15824    | 2    | Lockwasher 7/8"             |
| 7        | 44061BH  | 2    | Hex Nut 7/8" NF             |
| 8        | 19053    | 4    | Capscrew 5/8" x 2-14" Gr.5  |
| 9        | 20924    | 1    | Capscrew 5/8" x 6-1/2" Gr.5 |
| 10       | 15598BH  | 6    | Locknut 5/8"                |
| 11       | 50035829 | 1    | Owners Manual Tube          |
| 12       | 50068504 | 1    | Tailwheel Frame Weldment    |
| 13       | 50055257 | 1    | Adjuster Bar                |
| 14       | -----    | 2    | Capscrew 5/16" x 1"         |
| 15       | -----    | 2    | Flatwasher 5/16"            |
| 16       | -----    | 2    | Locknut 5/16"               |
| 17       | 19486    | 1    | Lockwasher 5/8"             |
| 18       | 15925    | 4    | Flatwasher 5/8"             |
| 19       | 20947    | 2    | Capscrew 5/8" x 2" Gr.5     |



**50030681 "A" FRAME ASSEMBLY**  
Used on Model SQ84T

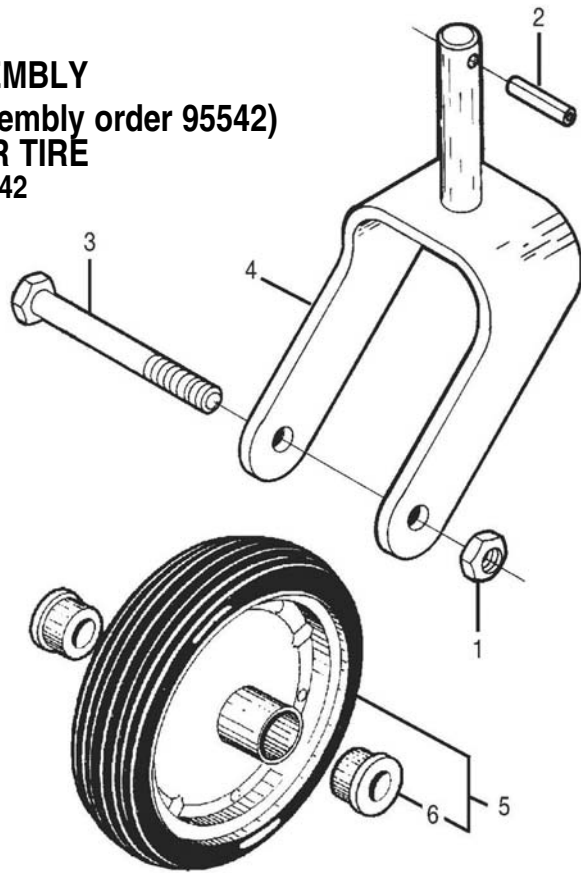
| REF. NO. | PART NO. | QTY. | DESCRIPTION                          |
|----------|----------|------|--------------------------------------|
| 1        | —        | 1    | Hex Nut 5/8" - 11 UNC                |
| 2        | 10152800 | 2    | Locknut 7/8" - 9 UNC                 |
| 3        | —        | 1    | Lockwasher 5/8"                      |
| 4        | —        | 2    | Capscrew 7/8" - 9 UNC x 2-1/2" Gr.5  |
| 5        | 20414    | 1    | Flanged Locknut 5/8" - 11 UNC        |
| 6        | —        | 1    | Capscrew 5/8" - 11 UNC x 5-1/2" Gr.5 |
| 7        | 67       | 2    | Nut 7/8" - 14 UNF                    |
| 8        | 65       | 2    | Lift Pin                             |
| 9        | 78461    | 1    | Chain                                |
| 10       | 66377    | 1    | Attaching Spacer                     |
| 11       | 50028391 | 1    | "A" Frame                            |
| 12       | —        | 1    | Capscrew 5/8" - 11 UNC x 4" Gr.5     |
| 13       | —        | 2    | Flatwasher 5/8"                      |
| 14       | —        | 2    | Hex Nut 7/8" - 9 UNC                 |
| 15       | —        | 2    | Lockwasher 7/8"                      |



**83206 TAILWHEEL BEAM**  
Used On Model SQ84T

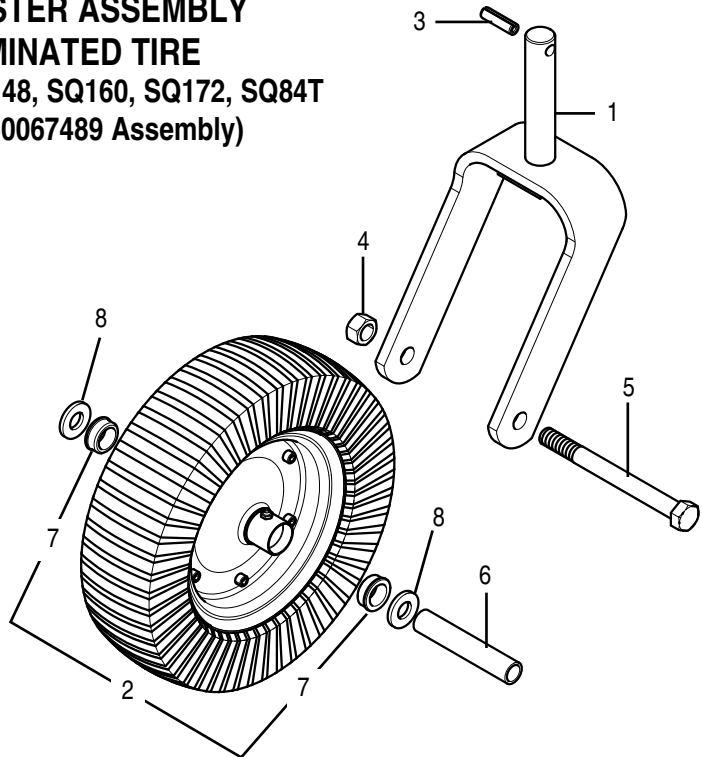
**(OBSOLETE)**  
**66647 CASTER ASSEMBLY**  
 (For replacement of complete Assembly order 95542)  
**WITH SOLID RUBBER TIRE**  
 Used on Model SQ142

| REF. NO. | PART NO.     | QTY. | DESCRIPTION            |
|----------|--------------|------|------------------------|
| 1        | 20368        | 1    | Locknut 3/4" - 10 UNC  |
| 2        | 20981        | 1    | Roll Pin 1/2" x 1-3/4" |
| 3        | 85445        | 1    | Axle Bolt              |
| 4        | 64112        | 1    | Caster Fork Weldment   |
| 5        | <b>66185</b> | 1    | <b>Wheel Assembly</b>  |
| 6        | 66383        | 2    | Bushing (Nylon)        |



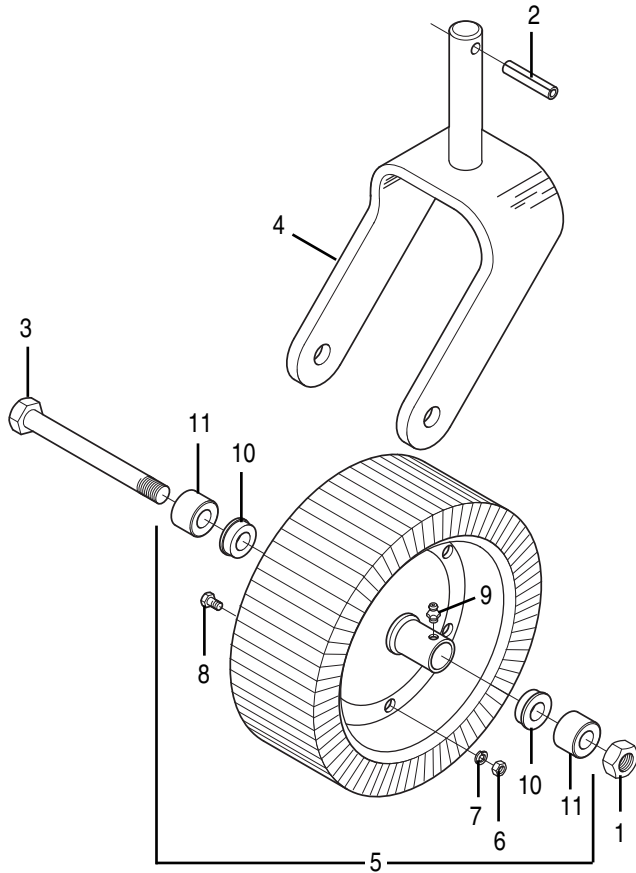
**95542SP CASTER ASSEMBLY**  
**WITH LAMINATED TIRE**  
 Used on: SQ142, SQ148, SQ160, SQ172, SQ84T  
 (Replaced By 50067489 Assembly)

| REF. NO. | PART NO. | QTY. | DESCRIPTION            |
|----------|----------|------|------------------------|
| 1        | 99929    | 1    | Caster Fork Weldment   |
| 2        | 50058327 | 1    | Wheel Assembly         |
| 3        | 20981    | 1    | Roll Pin 1/2" x 1-3/4" |
| 4        | 20638    | 1    | Locknut 3/4"           |
| 5        | 20946    | 1    | Capscrew 3/4" X 8"     |
| 6        | 12263    | 1    | Spacer Tube            |
| 7        | 50058328 | 2    | Bushing 1"             |
| 8        | 50028263 | 2    | Washer                 |



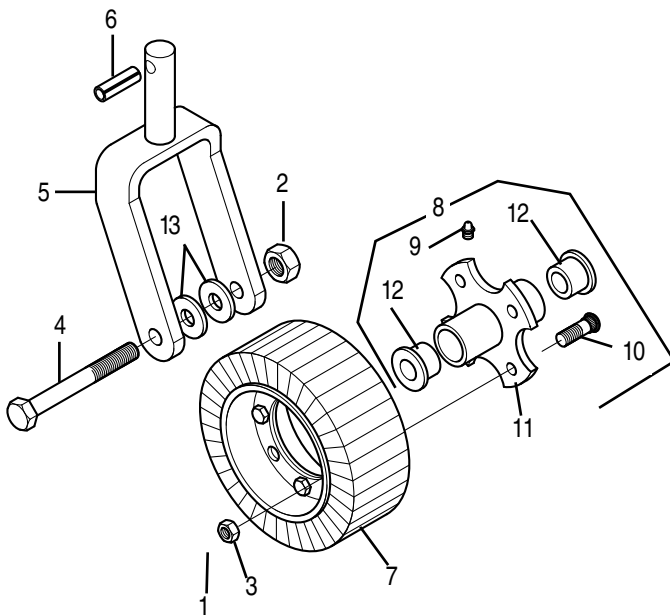
**(OBSOLETE)**  
**64400 LAMINATED TIRE ASSEMBLY**  
 (For replacement of complete  
 Assembly order 95542)

Used on SQ142



| REF. NO. | PART NO.        | QTY. | DESCRIPTION                      |
|----------|-----------------|------|----------------------------------|
| 1        | 20638           | 1    | Locknut 3/4" - 10 UNC            |
| 2        | 20981           | 1    | Roll Pin                         |
| 3        | 85445           | 1    | Caster Capscrew 3/4" x 7"        |
| 4        | 64112           | 1    | Caster Fork Weldment             |
| 5        | <b>50044330</b> | 1    | <b>Tire &amp; Wheel Assembly</b> |
| 6        | —               | 6    | Hex Nut M5                       |
| 7        | —               | 6    | Lockwasher M5                    |
| 8        | —               | 6    | Capscrew M5 x 12 Gr.8.8          |
| 9        | 50144           | 1    | Grease Fitting                   |
| 10       | 50044331        | 2    | Bushing                          |
| 11       | 50044332        | 2    | Bushing                          |

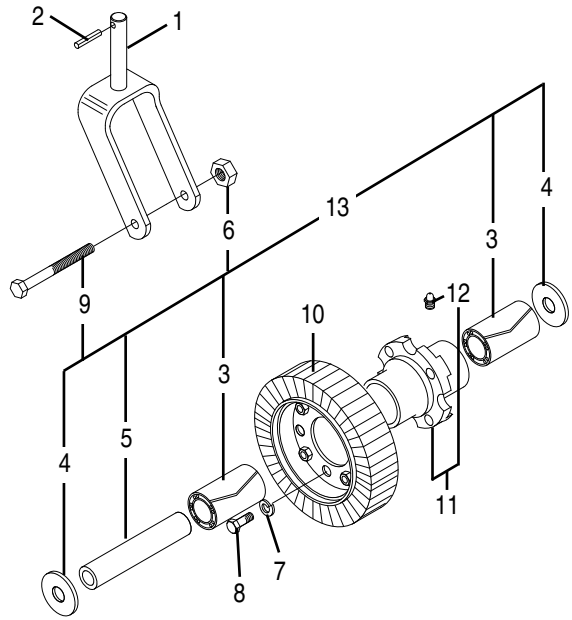
**95545SP LAMINATED TIRE ASSEMBLY**  
 Used on SQ148, SQ84T



| REF. NO. | PART NO. | QTY. | DESCRIPTION            |
|----------|----------|------|------------------------|
| 1        | 15507    | 4    | Hex Nut 1/2" NF        |
| 2        | 20638    | 1    | Locknut 3/4"           |
| 3        | —        | 4    | Lockwasher 1/2"        |
| 4        | 20638    | 1    | Capscrew 3/4" x 8"     |
| 5        | 99929    | 1    | Fork Weldment          |
| 6        | 20981    | 1    | Roll Pin 1/2" x 1-3/4" |
| 7        | 500      | 1    | Tire Assembly          |
| 8        | 63813    | 1    | Hub Assembly           |
| 9        | 449      | 1    | Grease Fitting         |
| 10       | 20987    | 4    | Wheel Bolt             |
| 11       | 60990    | 1    | Hub Weldment           |
| 12       | 63811    | 2    | Bushing                |
| 13       | 50028263 | 2    | Washer                 |

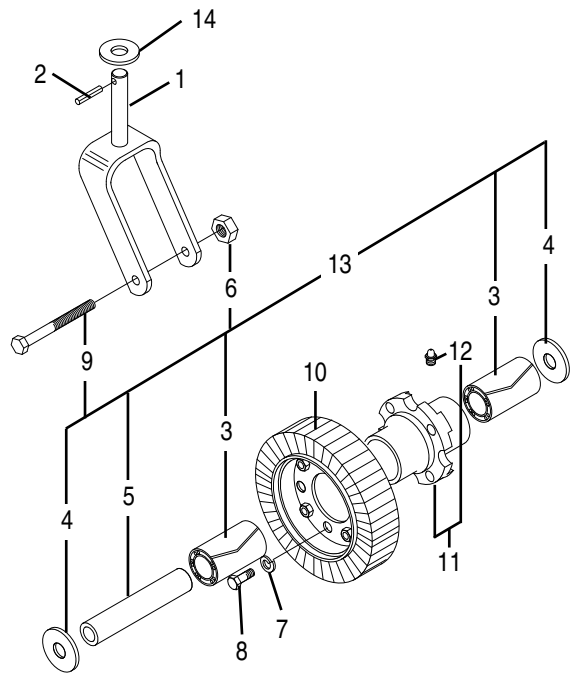
### 99930SP CASTER ASSEMBLY WITH LAMINATED TIRE Used on SQ160 & SQ172

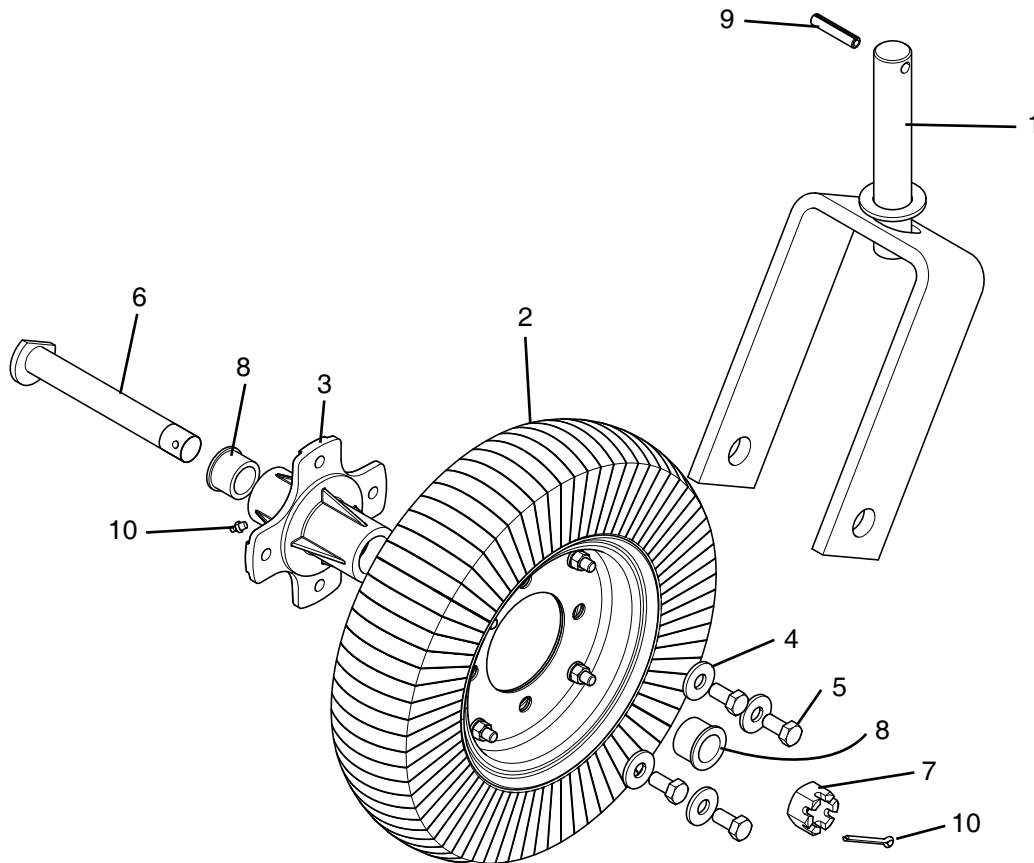
| REF. NO. | PART NO. | QTY. | DESCRIPTION             |
|----------|----------|------|-------------------------|
| 1        | 99929    | 1    | Caster Fork             |
| 2        | 20981    | 1    | Roll Pin                |
| 3        | 12250    | 2    | Roller Bearing          |
| 4        | 12261    | 2    | Wear Washer             |
| 5        | 12263    | 1    | Spacer Tube             |
| 6        | 20638    | 1    | Locknut 3/4"            |
| 7        | —        | 4    | Lockwasher 1/2"         |
| 8        | —        | 4    | Capscrew 1/2" x 1" Gr.5 |
| 9        | 20946    | 1    | Bolt 3/4" x 8" Gr.5     |
| 10       | 500      | 1    | <b>Tire Assembly</b>    |
| 11       | 12268    | 1    | <b>Hub Assembly</b>     |
| 12       | 449      | 1    | Grease Fitting          |
| 13       | 88920    | 1    | Bearing Repair Kit      |



### 64421 CASTER ASSEMBLY WITH LAMINATED TIRE For Models SQ184

| REF. NO. | PART NO. | QTY. | DESCRIPTION             |
|----------|----------|------|-------------------------|
| 1        | 64910    | 1    | Caster Fork             |
| 2        | 19427    | 1    | Roll Pin                |
| 3        | 12250    | 2    | Roller Bearing          |
| 4        | 12261    | 2    | Wear Washer             |
| 5        | 12263    | 1    | Spacer Tube             |
| 6        | 20638    | 1    | Locknut 3/4"            |
| 7        | —        | 4    | Lockwasher 1/2"         |
| 8        | —        | 4    | Capscrew 1/2" x 1" Gr.5 |
| 9        | 20946    | 1    | Bolt 3/4" x 8" Gr.5     |
| 10       | 500      | 1    | <b>Tire Assembly</b>    |
| 11       | 12268    | 1    | <b>Hub Assembly</b>     |
| 12       | 449      | 1    | Grease Fitting          |
| 13       | 88920    | 1    | Bearing Repair Kit      |
| 14       | 11778    | 1    | Flatwasher              |

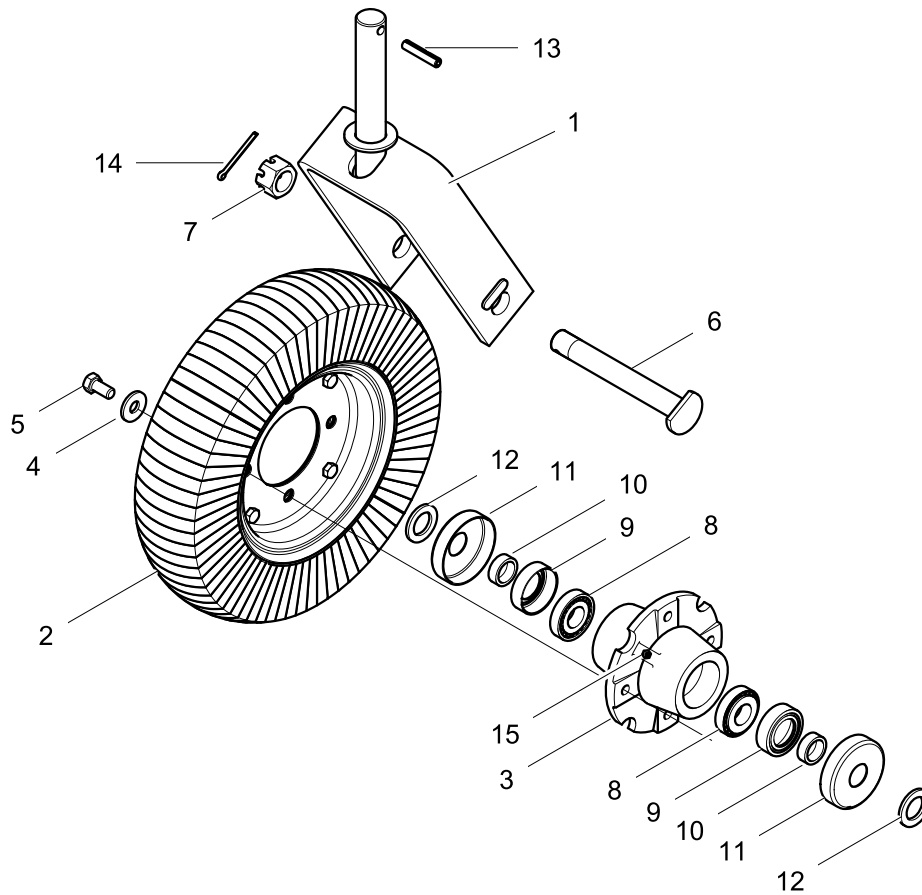




**50067489SP CASTER ASSEMBLY  
WITH LAMINATED TIRE**  
Used on SQ142, SQ148, SQ160, SQ172

| REF. NO. | PART NO. | QTY. | DESCRIPTION                     |
|----------|----------|------|---------------------------------|
| 1        | 50067492 | 1    | Caster Fork Weldment            |
| 2        | 500      | 1    | Solid Tire Assembly             |
| 3        | 50067490 | 1    | Hub Casting                     |
| 4        | 44269    | 4    | Flatwashers M12                 |
| 5        | 44204    | 4    | Capscrew M12 x 1.75 x 25 Gr.8.8 |
| 6        | 50067488 | 1    | Axle Bolt                       |
| 7        | 50067496 | 1    | Slotted Nut M24 x 2             |
| 8        | 50067491 | 2    | Bushing                         |
| 9        | 50067495 | 1    | Roll Pin M10 x 50               |
| 10       | 20167    | 1    | Cotter Pin 3/16" x 2"           |
| 11       | 50012411 | 1    | Grease Fitting                  |





**50068496SP CASTER ASSEMBLY  
WITH LAMINATED TIRE AND TAPERED BEARINGS**  
Used on SQ160, SQ172, SQ184

| REF. NO. | PART NO. | QTY. | DESCRIPTION                     |
|----------|----------|------|---------------------------------|
| 1        | 50067492 | 1    | Caster Fork Weldment            |
| 2        | 500BH    | 1    | Solid Tire Assembly             |
| 3        | 50068522 | 1    | Hub Casting                     |
| 4        | 44269    | 4    | Flatwashers M12                 |
| 5        | 44204BH  | 4    | Capscrew M12 x 1.75 x 25 Gr.8.8 |
| 6        | 50067488 | 1    | Axle Bolt                       |
| 7        | 50067496 | 1    | Slotted Nut M24 x 2             |
| 8        | 50068521 | 2    | Bearing Assy                    |
| 9        | 50068525 | 2    | Seal                            |
| 10       | 50068523 | 2    | Bushing                         |
| 11       | 50068520 | 2    | Protective Cap                  |
| 12       | 50068524 | 2    | Washer                          |
| 13       | 50067495 | 1    | Roll Pin M10 x 50               |
| 14       | 20167    | 1    | Cotter Pin 3/16" x 2"           |
| 15       | 449BH    | 1    | Grease Fitting                  |







**BUSH HOG®**

2501 GRIFFIN AVE. • SELMA, AL 36703

(334) 872 6261 • (334) 874 2700

PARTS ORDERING 1 800 304 2836

FAX 1 800 572 1784

[WWW.BUSHHOG.COM](http://WWW.BUSHHOG.COM)