

## ROTC Class A Uniform

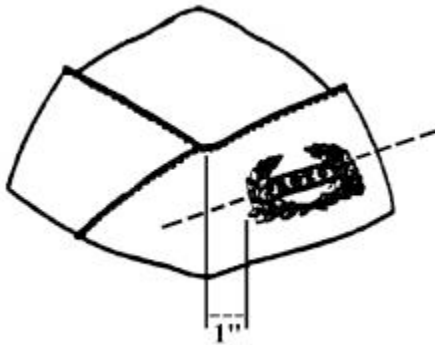
a. Class A uniform consists of the following:

(1) Male - Garrison cap, Army green coat and trousers, AG-415 green shirt (short or long sleeve), a black four-in hand necktie, black oxford shoes, black socks, black belt with brass buckle and tip, black all weather coat (optional), uniform brass and accessories.

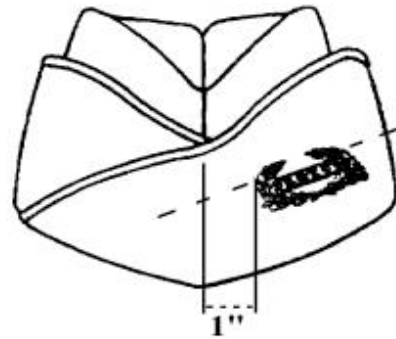
(2) Female - Garrison cap, Army green coat, slacks or skirt, AG-415 green shirt (short or long sleeve), black neck tab, black oxford shoes or black pumps, black all weather coat (optional), uniform brass and accessories.

b. Garrison Cap (male and female). The garrison cap will be worn with the front vertical crease of the cap centered on the forehead, in a straight line with the nose. The cap will be tilted slightly to the right, but in no case will the side of the cap rest on the top of the ear. Center the cap approximately 1 inch above the eyebrows (approximately the width of the first two fingers). The top of the cap will be opened to cover the crown of the head. Hair will not be visible on the forehead below the front bottom edge of the cap. Insignia will be worn as follows:

(1) For Basic Course (MS I-II) the ROTC insignia will be centered on the left curtain 1 inch from the crease.

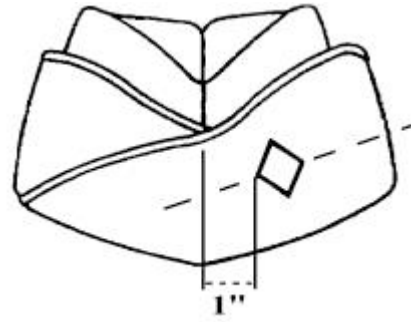
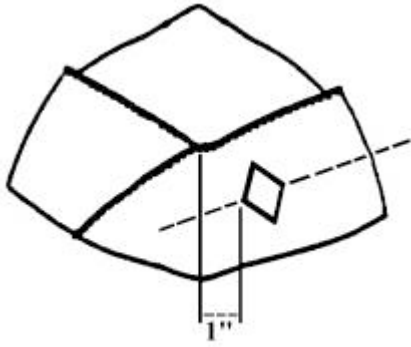


Garrison Cap - Basic Course Male

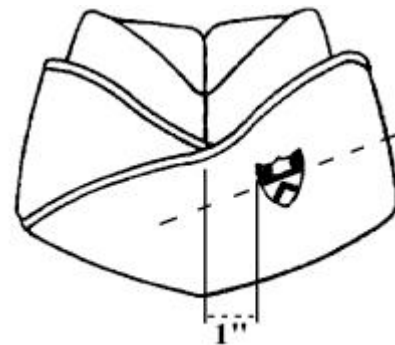
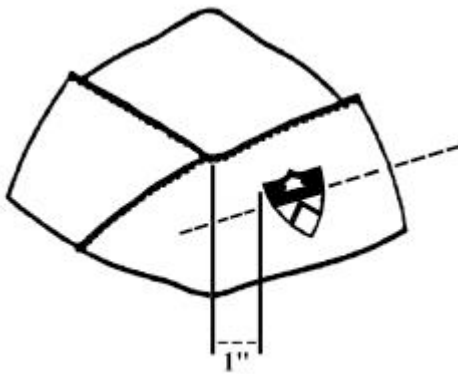


Garrison Cap - Basic Course Female

(2) Advanced Course (MS III-IV). Officers will wear rank insignia and enlisted cadets the Distinctive Unit Insignia (DUI) - or more commonly called "Unit Crest" - centered on the left curtain 1 inch from the crease.



Garrison Cap - Advanced Course Male Officer    Garrison Cap - Advanced Course Female Officer



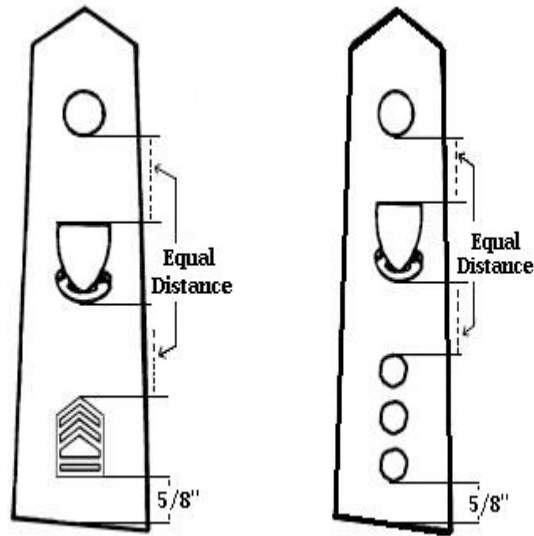
Garrison Cap - Advanced Course Male  
Enlisted

Garrison Cap - Advanced Course Female  
Enlisted

**c. Green Coat.**

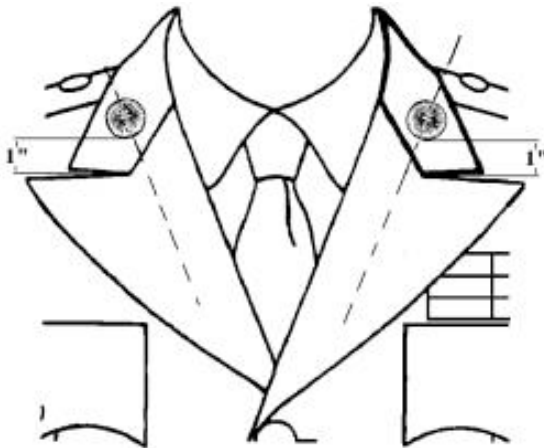
**(1)** Insignia of rank. Non-subdued insignia will be worn centered on both shoulder loops of the coat, 5/8 inch from the outside shoulder seam. The top of enlisted insignia will point toward the individual's neck.

**(2)** Distinctive Unit Insignia (DUI). The DUI is worn on the shoulder loops of the coat and centered between the insignia of grade and the outer edge of the button.



Insignia of rank and Distinctive Unit Insignia on shoulder loop Class A

(3) Torch of Knowledge. This insignia is worn by Basic Course cadets centered on both collars parallel to the inside edge of each lapel with the outside edge of the insignia positioned 1 inch above the notch of the lapel.

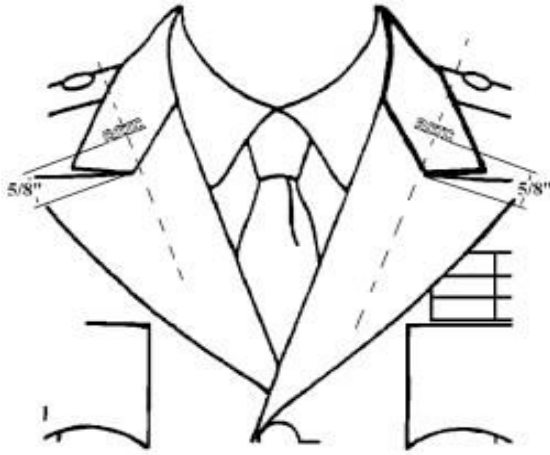


Class A - Torch of Knowledge Male



Class A - Torch of Knowledge Male

(4) R.O.T.C. Initials. This insignia is worn by Advanced Course cadets centered on both lapels of the coat, parallel to the inside edge of each lapel. The lower edge of the insignia is positioned 5/8 inch above the notch of the lapel.



Class A - ROTC Insignia Male



Class A - ROTC Insignia Female

**(5) Branch Insignia.** Second semester MS IV's may wear branch insignia centered on both lapels, 1 1/4 inches below the ROTC initials, with the insignia bisecting the ROTC initials and parallel to the inside edge of the lapel.



Class A - Branch Insignia

**(6) Name plate.**

**(a) Male cadets.** The nameplate will be worn on the flap of the right breast pocket, centered from left to right and between the top of the button and the top of the pocket on the Army green 415 shirts and the coat of the Army green uniform.

(b) Female cadets. On the Army green uniform, the nameplate will be worn between 1 to 2 inches above the top button, centered horizontally on the wearer's right side. Placement of the nameplate may be adjusted to conform to individual figure differences.



Class A - Nameplate Male



Class A - Nameplate Female

(7) Ribbons. Only authorized ribbons will be worn. The order of precedence is found at the "Cadet Awards" page. Ribbons will be worn in the order of precedence from the wearer's right to left in one or more rows either with no space or a 1/8 inch space between rows. No more than four (4) ribbons will be worn in any one row. Male personnel will wear their ribbons centered 1/8 inch above the left breast pocket in as many rows as necessary. Female personnel will wear them centered on the left side with the bottom row positioned parallel to the bottom edge of the name plate. Placement of the ribbons may be adjusted to conform to the individual's figure differences.

(8) Other Insignia, Badges and Tabs. See CCR 670-1 and AR 670-1 for instruction on wear.

d. AG-415 green shirt, short and long sleeve. The short and long sleeve shirt can only be worn with the necktie or neck tab. Name plate and cloth shoulder boards with embroidered cadet rank will be worn on both uniform shirts.

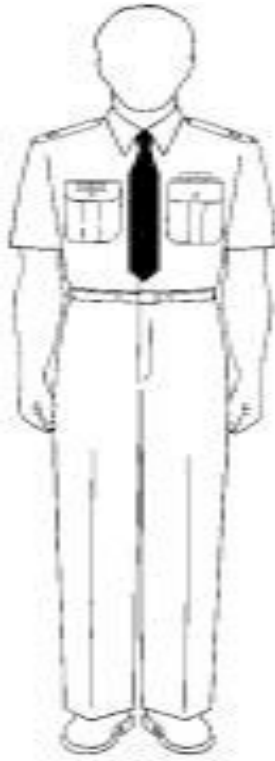
### **ROTC Class B Uniform**

a. Class B uniform consists of the following:

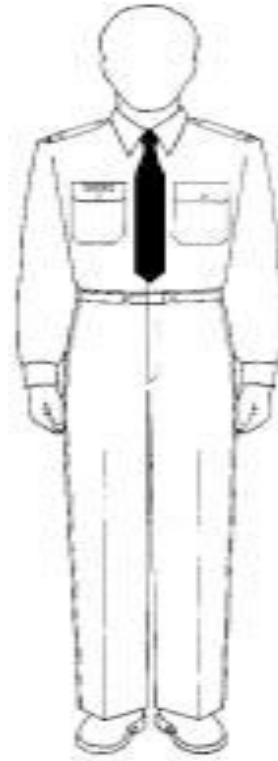
(1) Male - Garrison cap, AG-415 green shirt (short or long sleeve), black necktie (optional with short sleeve shirt), black wool pullover sweater (optional), black all weather coat (optional), black oxford shoes, black socks, Army green trousers, black belt with brass buckle, uniform brass and accessories.



Class B - Short Sleeve



Class B - Short Sleeve with Tie

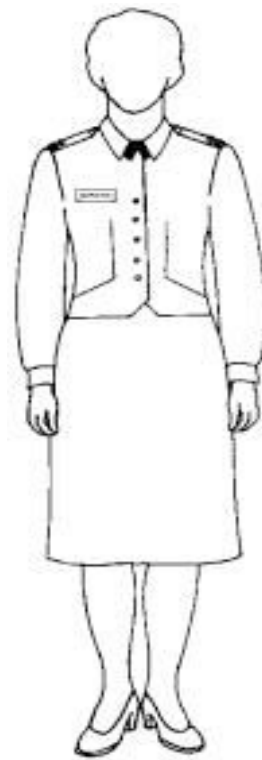
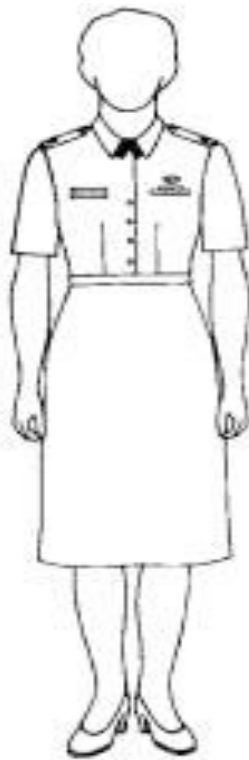
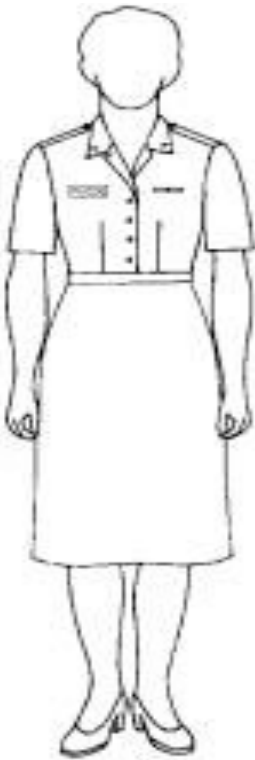


Class B - Long Sleeve with Tie

**(2)** Female - Garrison cap, AG-415 green shirt (short or long sleeve), black neck tab (optional with short sleeve shirt), black wool pullover sweater (optional), black all weather coat (optional), black oxford shoes or black pumps, Army green skirt or slacks, uniform brass and accessories.



Class B - Short Sleeve Tucked with Neck tab    Class B - Short Sleeve Un-tucked with Neck tab



Class B - Skirt Short Sleeve

Class B - Skirt Short Sleeve with Neck tab

Class B - Skirt Long Sleeve with Neck tab

**b.** Garrison Cap (male and female). See ROTC Class A Uniform.

**c.** AG-415 green shirt, short and long sleeve. The short sleeve shirt can be worn with or without the necktie or neck tab. The long sleeve shirt can only be worn with the necktie or neck tab. Name plate and cloth shoulder boards with embroidered cadet rank will be worn on both uniform shirts. Ribbons may be worn.

**d.** Black Sweater. The black sweater is an optional uniform item. It can be worn with either shirt. If the long sleeve shirt is worn, you must wear a necktie or neck tab. The collar of the short sleeve shirt is worn out when no tie is worn. Cloth shoulder boards with embroidered cadet rank are also worn on the sweater. The name plate is worn centered on the black patch except when wearing the Distinctive Unit Insignia. When wearing a DUI, the nameplate will be worn 1/2 inch above the bottom of the black patch with the DUI centered above the nameplate.

**e.** Fit. The following is a summary of general fitting guidelines:

**(1)** Black all weather coat:

**(a)** Male. The length of the sleeve will be 1/2 inch longer than the service coat. The bottom of the black all weather coat will reach to a point 1 and 1/2 inches below the midpoint of the knee.

**(b)** Female. The length of the sleeves will be 1/2 inch longer than the service coat. The bottom of the coat will reach a point 1-inch below the skirt hem but not less than 1 and 1/2 inches below the crease in the back of the knee.

**(2)** Uniform coats and jackets (male and female). The sleeve length will be 1 inch below the bottom of the wrist bone.

**(3)** Trousers and slacks.

**(a)** Trousers are to be fitted and worn with the lower edge of the waistband at the top of the hipbone, plus or minus 1/2 inch. The front crease of the trousers will reach the top of the instep and be cut on a diagonal line to reach a point approximately midway between the top of the heel and the top of the standard shoe in the back. The trousers may have a slight break in the front.

**(b)** Slacks will be fitted and worn so that the center of the waistband is at the natural waistline. The front crease of the slacks will reach the top of the instep and be cut on a diagonal line to reach a point approximately midway between the top of the heel and the top of the standard shoe in the back. The slacks may have a slight break in the front.

**(4)** Knee-length skirts and dresses. Skirt and dress lengths will not be more than 1 inch above or 2 inches below the crease in the back of the knee.

**(5)** Long sleeve shirts. The sleeve length will extend to the center of the wrist bone.



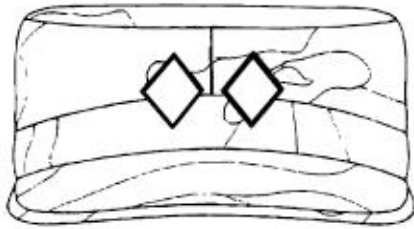
(6) Other. Appropriate undergarments will be worn with all uniforms.

### **ROTC Class C Uniform**

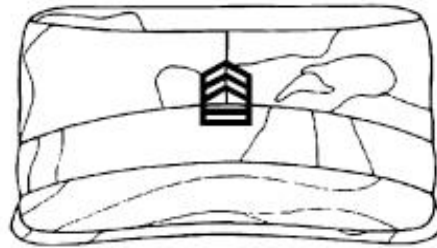
a. Wear of the Class C (Army Combat Uniform): Class C uniform is the same for both males and females. The uniform consist of the ACU trousers and shirt, olive green or black cushion sole socks, desert combat boots, ACU cap, tan undershirt, and black or tan belt with black buckle. Appropriate patches and name tapes will be on the uniform. Female personnel may carry handbags with these uniforms only while in a garrison environment.

b. ACU Cap. The cap will not be blocked or rolled.

(1) Officers will wear non subdued insignia of grade on the ACU cap in a garrison environment. Subdued insignia of grade will be worn on all headgear in a field environment.



Class C - ACU Cap Officer



Class C - ACU Cap Enlisted

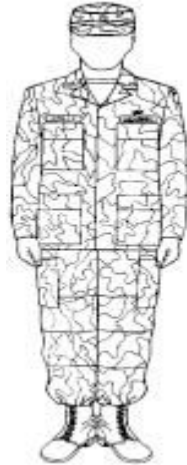
(2) Enlisted personnel will wear subdued insignia of grade at all environments.

(3) How worn. The insignia of grade for officers and enlisted will be worn centered on the front of the headgear. No other insignia will be worn.

c. Desert combat boots will be clean. The boots will be diagonally laced with black laces, with the excess lace tucked into the top of the boot under the bloused trousers or slacks, or wrapped around the top of the boot with the excess lace tucked into the top of the boot. Zipper inserts are not authorized.

d. Insignia and accessories. The only authorized items for wear on the ACU are: Insignia of Grade, shoulder sleeve insignia, Ranger Challenge Tab, Name tapes, U.S. Army tape, Combat or Special Skill Badges (i.e. Airborne and Air Assault). All items will be subdued.

e. ACU Coat/Trousers. These uniforms are designed to be loose fitting. The coat will be worn outside the trousers and the trousers will be worn with a belt. The coat will not extend below the top of the cargo pocket on the pants and will not be any higher than the bottom of the side pocket on the pants. The trousers will be worn bloused using the draw cords or blousing rubbers if the trousers are not tucked into the boots. Trousers legs will not be wrapped around the leg so tight as to present a pegged appearance.



Class C - ACU

**(1)** Subdued rank will be centered on the ACU blouse

**f.** The IR tab on the both sleeves of the ACU will be worn as shown below.



**g.** Cadets may wear the black leather shell gloves with ACU uniforms without cold weather outer garments provided sleeves are over the tops of the gloves. The woodland camouflage cold weather coat may be worn with the ACU. The black all weather coat may be worn as a raincoat with these uniforms only in a garrison environment when organizational raingear has not been issued. The olive green scarf and the black leather shell gloves may be worn but are not required to be worn with these uniforms when the cold weather coat or other authorized cold weather outer garments are worn. Coats will be worn buttoned and zipped. The shirt collar will be worn inside the cold weather coat and other outer garments. The hood of the cold weather coat may be worn at cadet's option. However, when the hood is not worn, it will be tucked into the jacket and the zipper zipped.

**h.** Care. When laundering your ACUs, as with all uniforms, follow the instruction on labels of the uniforms. Remove your ACUs immediately after washing. If they sit in the washer, they will wrinkle. The ACUs will be air dried.