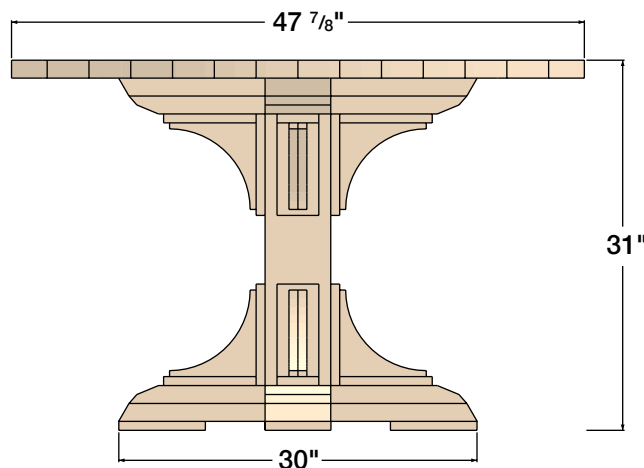




Round Trestle Table

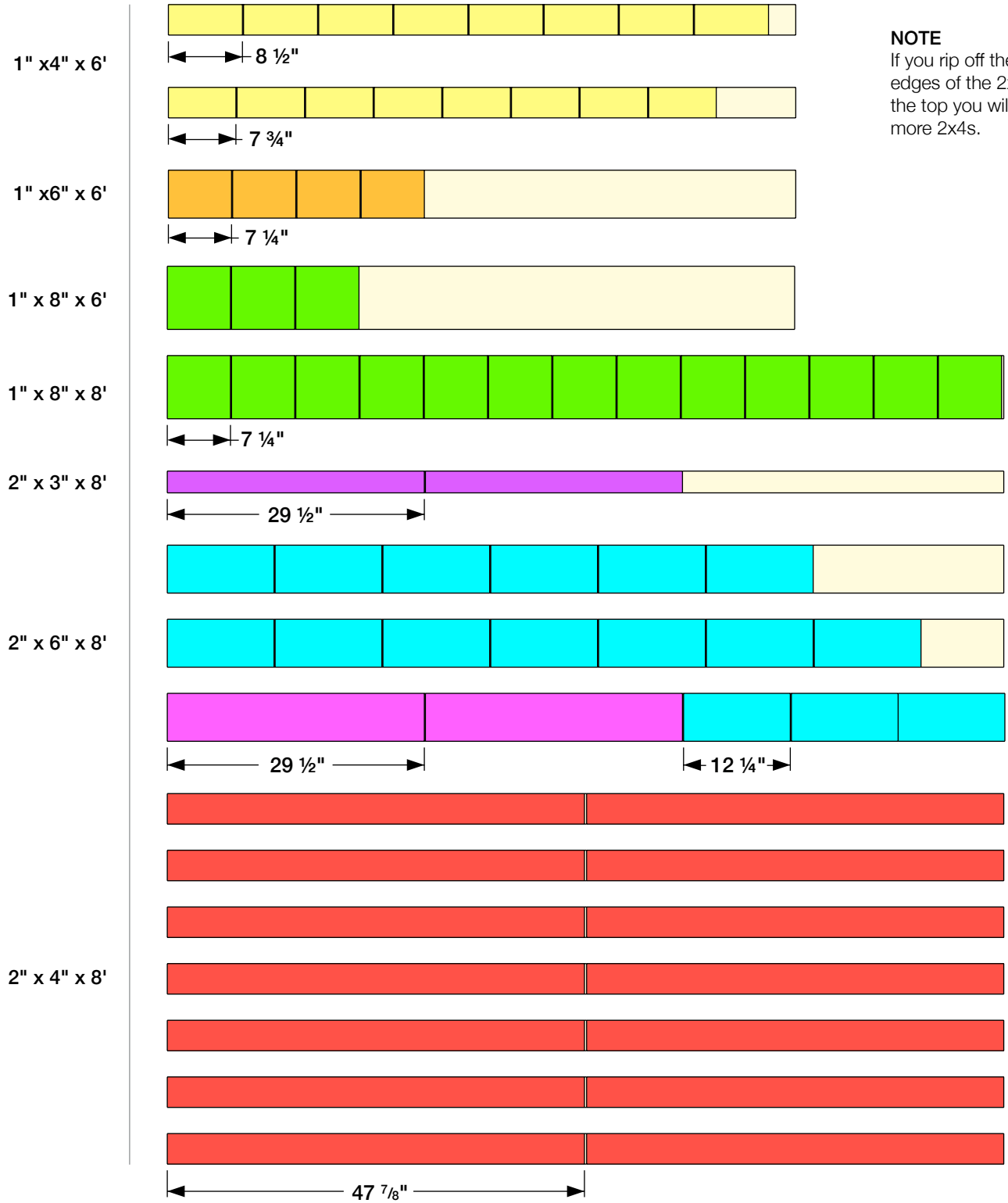
*R*aise the level of sophistication in your kitchen with this 20th century inspired dining table. Simple construction with high end style will have all your guests eating in envy. Careful, you may have to step up your cooking game to match.



Make sure you read through the instructions carefully and take notice of any special construction notes prior to making any cuts. And always practice safe DIY'ing. Have fun!

PLEASE NOTE - many pieces may require you to cut them to fit a certain size while you are building it. Its best not to cut pieces until you need them. Take your time and study all the diagrams.

CUT LIST



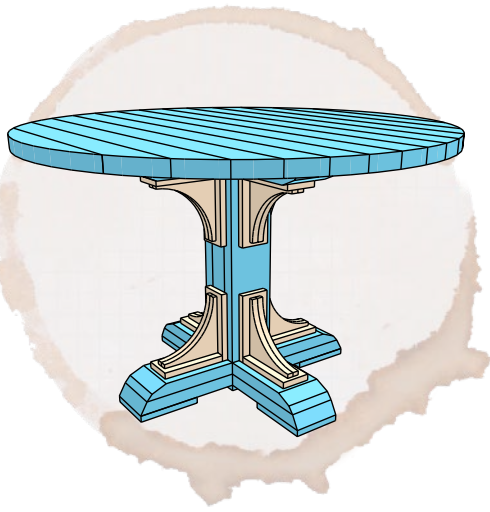
NOTE
If you rip off the rounded edges of the 2x4s for the top you will need 1-2 more 2x4s.

MATERIALS LIST

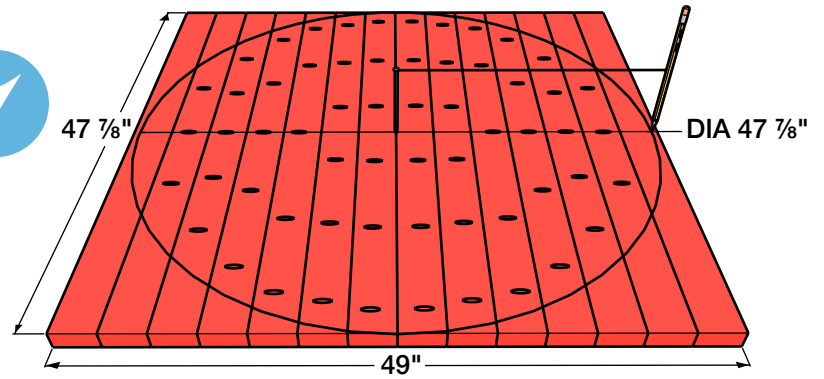
Material	Qty
2" X 4" X 8' wall stud	7
2" X 6" X 8' wall stud	3
2" x 3' x 8' wall stud	1
1" x 8" x 8' pine board	1
1" x 8" x 6' pine board	1
1" x 6" x 6' pine board	1
1" x 4" x 6' pine board	2

Material	Qty
1-¼" pocket screws	
2-½" pocket screws	
4" spax screws	
1" brad nails	
2" brad nails	
wood glue	

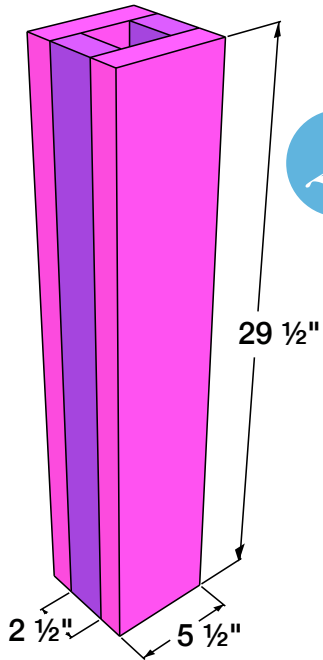
NOTES



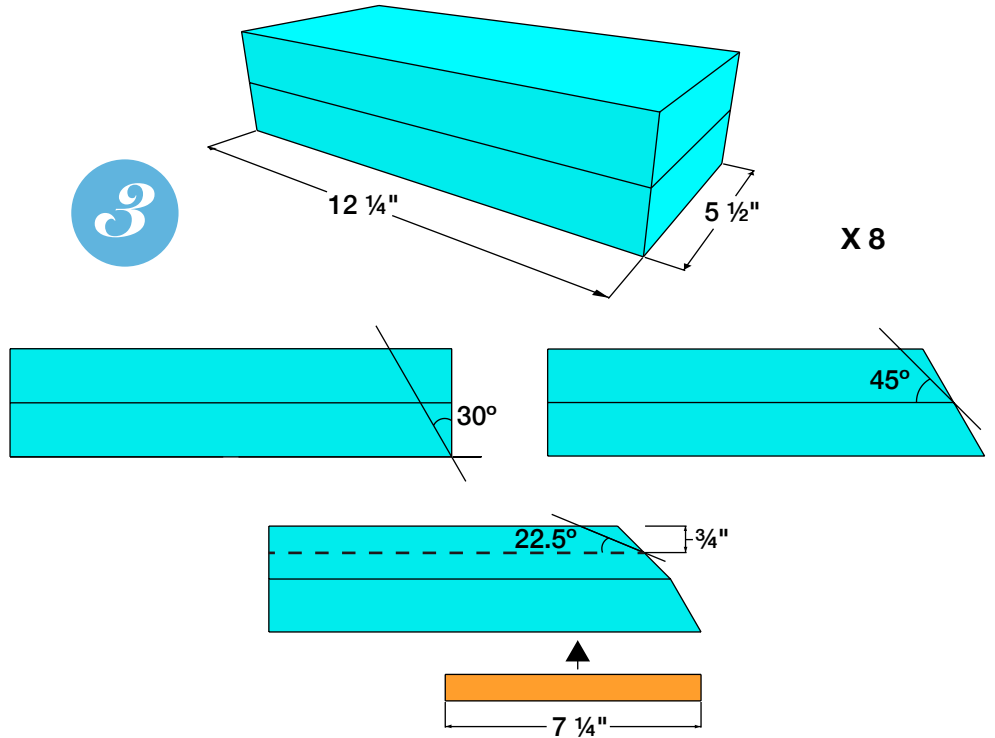
1



2



3



1.

Cut 2x4s to 47-7/8". Lay them out together as shown above. Find the center and hammer a small nail into the center. Attach a pencil with string to the nail so that the distance is just a hair under 24". Draw a circle so that the diameter doesn't extend beyond the edge of the 2x4s. Mark for all your pocket holes making sure the outside ones are inset enough so that when you cut your circle none of the pocket screws will protrude out. Number your boards so that you can easily arrange them in the same order. Drill your pocket holes for 2x material and then attach all the boards with 2-1/2" pocket screws. Then, using a jigsaw cut out your round table top.

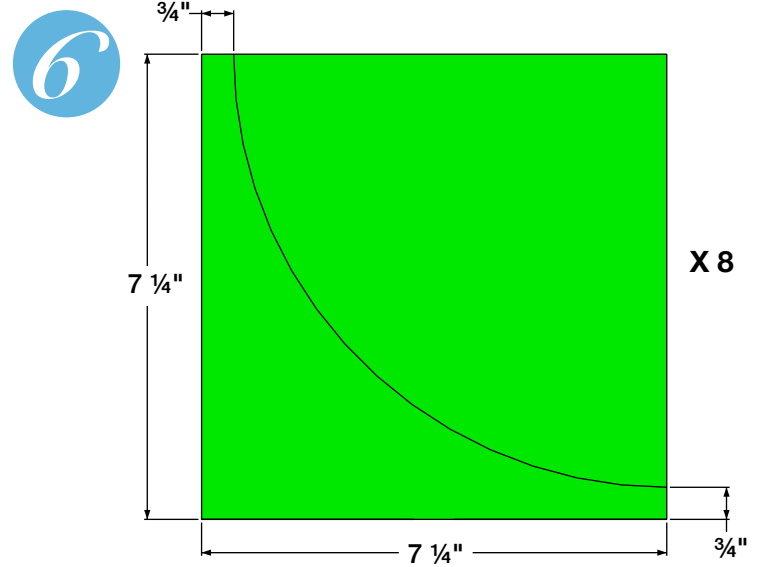
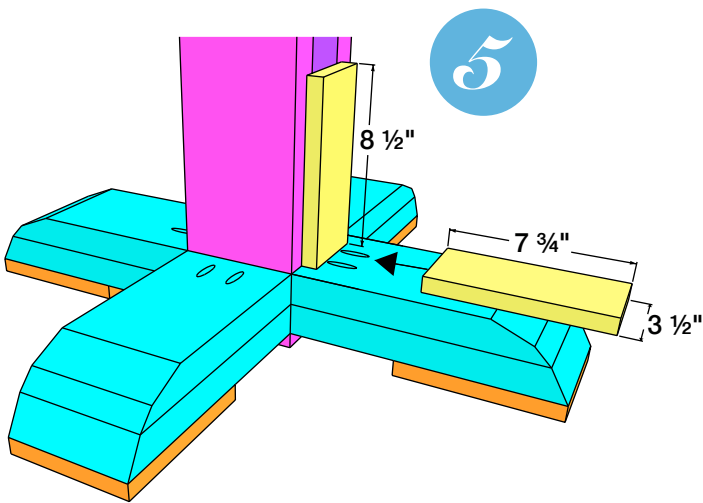
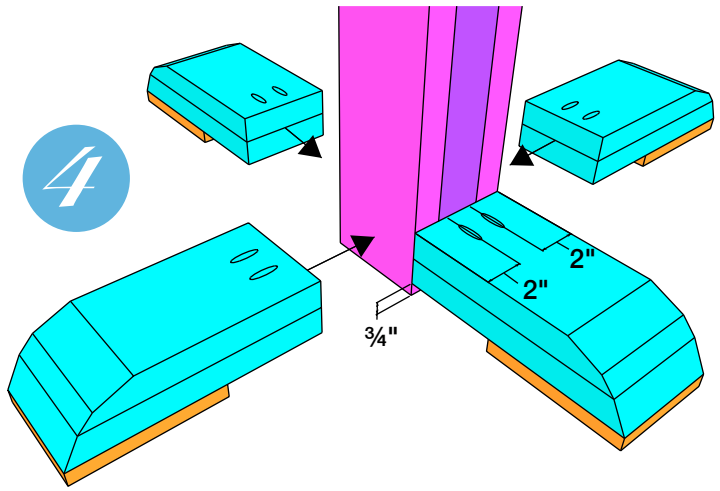
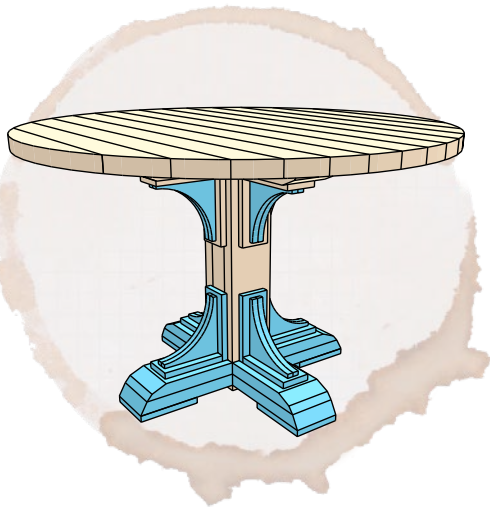
2.

Cut your 2x3s and 2x6s to length. Using wood glue and 2" brad nails attach the boards to form your middle support column.

3.

Cut your 2x6s to length for the feet and support blocks. Attach with 2" bradnails and glue. Repeat for the 4 bottom and 4 top feet. Now you will cut the rounded profile to the 8 feet. First Cut a 30° angle as shown. Then a 45° angle as shown from the seam of the two boards. Finally, measure down 3/4" from top of feet and mark a location. And finally cut a 22.5° miter. None of these have to be exact, but make sure you repeat the same process with all 8 feet so that they are the same.

Now, cut your 1x6s to length and attach at the bottom of the feet with glue and 1-1/4" brad nails and glue. Make sure the piece is flush to the front of the feet. **ONLY ATTACH THE 1X6s TO THE BOTTOM 4 FEET.**



4.

Drill pocket holes for 2x material into the top AND the bottom of the 4 feet with the 1x6s attached to them. The top pocket screws need to be inset at least 2" from the outside edge so that they will be covered up by the pieces attached in Step 5. Attach the feet to the column with glue and screws so that the main middle column protrudes 3/4" past the feet so that it is flush with the 1x6 pads.

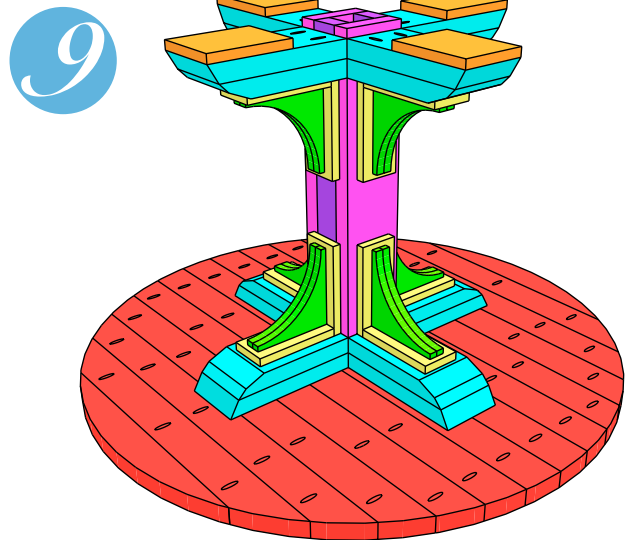
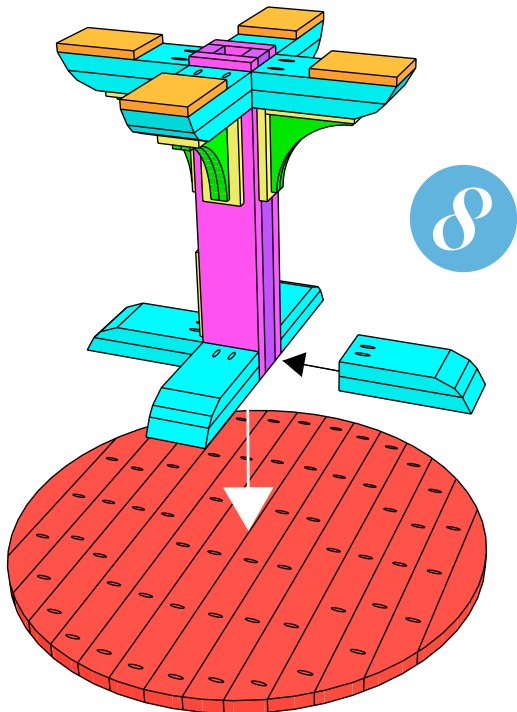
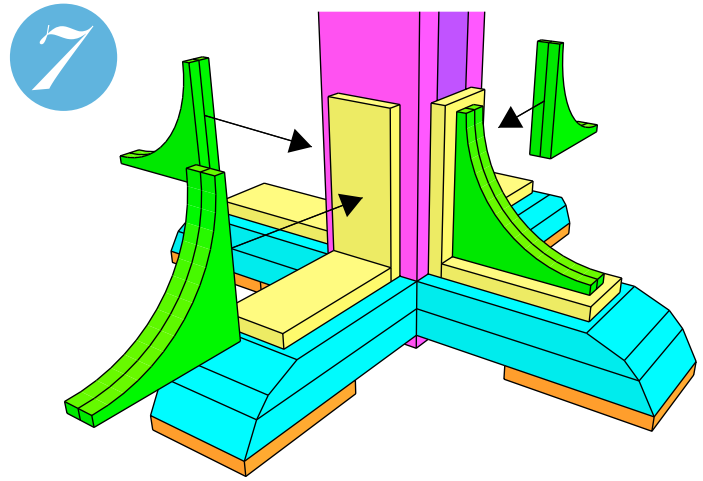
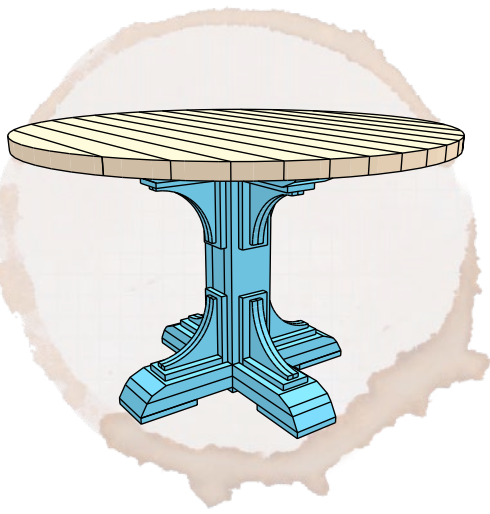
5.

Cut the 1x4s to length. Attach the 8-1/2" pieces vertically, centered, on the column with glue and 1-1/4" brad nails. Then attach the 7-3/4" pieces horizontally with glue and 1-14" brad nails.

Repeat for all four bottom feet.

6.

Now you will create the decorative arch pieces. To get the bulkier look you will use 2 1x8s glued together. Depending on your jigsaw you will either have to cut out the arcs first then glue the pieces together or glue up the boards first and then cut the arc. An easy way to form the arc is to trace a gallon paint can. Just mark 3/4" in from 2 sides to start the quarter circle shape as shown in the drawing above.



7.

Now attach the decorative arc pieces using wood glue and 1-1/4" brad nails.

8.

Now flip the column over and attach the top feet the same way you did the bottom feet with the exception of placement. The top feet they will be attached flush with the top of the column since the 1x6 pads are not used here. Remember, drill the 2x material pocket holes inset 2" from the outside edge so that they can be covered up by the decorative pieces.

Now attach the column structure to the center of the bottom (the side with all the pocket holes visible) of the table top. Attach with 4" spax screws through the upper feet. You may want to drill pilot holes first but don't forget to use a piece of tape on your drill bit so you don't drill through your table top. You won't use glue here as you want to allow the wood to expand and contract with the various humidity levels throughout the year.

9.

Now simply attach all the decorative pieces the same way you did for the bottom feet.