



## **RUBBER PARTS CATALOG®.com**

# **MACHINERY MOUNTS**

---

VIBRATION, SHOCK & MOTION CONTROL

# SOLUTIONS - FOR A WORLD IN MOTION

We offer standardized products to meet most applications. Some control problems, however, require specialized solutions such as a custom-designed mount or a combination of LORD products. Our experts in vibration and noise control can analyze your individual requirements and provide you the most effective and affordable solution ... Ask Us How.

## SURFACE EFFECT MOUNTS



Surface-Effect Mounts combine surface-effect damping principles with traditional rubber-bonded-to-metal technology. The result is a soft mount capable of providing effective damping over large deflections and a wide range of frequencies. As cab and engine mounts in on- and off-highway vehicles, Surface-Effect Mounts meet the most demanding requirements for vibration isolation and noise attenuation while controlling motion.

**Compression Load Range:** 3,115 - 6,987 N (700 - 1,570 lbs)

## CONICAL MOUNTS



LORD Conical Mounts provide effective vibration isolation and noise attenuation with a simple, robust mount design. Consistent performance, high load bearing capabilities and a choice of radial stiffness characteristics are key features of these mounts. For more demanding vibration and noise reduction requirements, LORD integrates Conical Mounts with surface-effect technology to form an advanced control solution known as Surface-Effect Systems.

**Compression Load Range:** 801 - 11,392 N (180 - 2,560 lbs)

## SANDWICH MOUNTS - FLEX-BOLT™



Efficient power transmission and driveline component durability are among powertrains designers' most important concerns. Increased durability and up-time are two characteristics demanded by purchasers of today's complex and expensive machinery. These demands can only be met with reliable, trouble-free, smooth-running powertrains free from damaging loads that compromise component life.

**Compression Load Range:** 27 - 59,808 N (6 - 13,440 lbs)

**Shear Load Range:** 4.45 - 7,476 N (1 - 1,680 lbs)

## CENTER-BONDED MOUNTS



LORD Center-Bonded Mounts isolate vibration, control shock and reduce noise due to structure borne vibrations. Available in a full range of rated load capacities and able to withstand shock loads of 10 g's, these mounts effectively protect equipment and improve operator comfort. They are ideal for automotive, marine, railroad and industrial markets.

**Compression Load Range:** 334 - 9,345 N (75 - 2,100 lbs)

## TWO-PIECE MOUNTS



LORD Two-Piece Mounts are designed for applications involving severe dynamic forces in the static load direction, as well as the rebound direction. Travel is limited in both directions by rubber in compression that provides snubbing.

**Compression Load Range:** 178 - 15,352 N (40 - 3,450 lbs)

## BINOCULAR/SPLIT MOUNTS



LORD Binocular/Split Mounts are designed for applications involving severe dynamic forces in the static load direction, as well as the rebound direction. Travel is limited in both directions by rubber in compression that provides snubbing.

**Compression Load Range:** 4,450 - 6,675 N (1,000 - 1,500 lbs)

## PLATFORM MOUNTS



LORD Platform Mounts provide effective isolation against vibration. The contour of the flexing element was developed to provide uniform stress distribution. This, plus high strength bonding and the use of specially compounded elastomers, provides maximum service life.

**Compression Load Range:** 2 N - 2,225 N (0.5 - 500 lbs)

## GROMMET ISOLATORS



LORD Grommet Isolators provide effective, economical vibration isolation for light loads. They are suitable for commercial and military applications including computers, disk drives, business machines, precision instrumentation and general industrial equipment.

**Compression Load Range:** 4 - 27 N (1 - 6 lbs)

## MACHINERY MOUNTS



LORD Machinery Mounts are designed to support heavy equipment and isolate intermittent or continuous vibration. The result is greater machine accuracy, longer service life, smoother operation and reduced maintenance. These mounts are available in four types to suit different needs.

**Compression Load Range:** 223 - 33,375 N (50 - 7,500 lbs)

## BUSHINGS



LORD Center-Bonded Bushings and Square-Bonded Bushings are used in applications where the absorption shock, attenuation of noise, reduction of wear and elimination of lubrication is required.

**Compression Load Range:** 890 - 41,385 N (200 - 9,300 lbs)

“Greater machine accuracy, longer service life, smoother operation and reduced maintenance...”

LORD Machinery Mounts are designed to support heavy equipment and isolate intermittent or continuous vibration. The result is greater machine accuracy, longer service life, smoother operation and reduced maintenance. These mounts are available in four types to suit different needs.

Lattice Mounts are recommended for applications where disturbing frequencies are as low as 6 Hz. Their lattice design provides a soft vertical spring rate combined with lateral stability. Typical applications include shaker-screens, sifters, rubber mills, air compressors and large engines/generators.

Chan-L Mounts are recommended for machines where vertical disturbing frequencies are 600 cpm or higher. Their elastomer-supported channel design features a soft vertical spring rate. The design incorporates built-in protection against metal-to-metal bottoming. Typical applications include separating and grading screens and shakeouts.

Industrial Shock Mounts efficiently control shock and structural noise transmission from heavy industrial machinery. Adjacent controls, sensitive instruments and precision machines are protected from impact disturbances which could hamper their performance. Worker comfort is increased, and building structures need less maintenance.

**Featuring:** Lattice Mounts  
Chan-L™ Mounts  
Industrial Shock Mounts  
Leveling Mounts



RUBBERPARTSCATALOG.COM

### LATTICE MOUNTS

**LORD** VIBRATION, SHOCK & MOTION CONTROL  
AskUsHow™

**DELTA**FLEX.com

## Features and Benefits

- High-efficiency, multi-directional isolation of low frequency vibration
- Extremely rugged and require no maintenance
- Easy to install
- Long service life

Need assistance with selecting the right mount for your application?

**CALL US @ 800.657.0747**  
Ask for **Engineering**

Offering thousands of **standard** industrial rubber products and **innovative** “low” and “high” tech **custom** elastomeric products.

## LATTICE MOUNTS

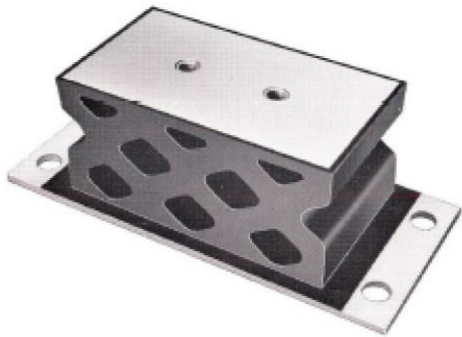
### Lattice Mounts

**Table 1 – Specifications and Dimensions**

Part Number	Type	Maximum Static Load		Deflection		Part Dimensions							
						A		B		C		D	
		lb	N	in	mm	in	mm	in	mm	in	mm	in	mm
J-5984-11	I	425	1890	0.62	15.7	9.75	247.7	8.12	206.2	5.50	139.7	①	①
J-5984-20	I	640	2847	0.62	15.7	9.75	247.7	8.12	206.2	5.50	139.7	①	①
J-4976-8	I	650	2891	0.62	15.7	12.50	317.5	10.88	276.4	8.25	209.6	2.75	69.9
J-4976-9	I	850	3781	0.62	15.7	12.50	317.5	10.88	276.4	8.25	209.6	2.75	69.9
J-4557-13	I	1000	4448	0.50	12.7	12.00	304.8	10.38	263.7	8.50	215.9	2.75	69.9
J-5665-35	I	1300	5783	1.00	25.4	14.23	361.4	12.44	316.0	9.06	230.1	②	②
J-5665-32	I	2000	8896	1.00	25.4	18.60	472.4	16.88	428.8	13.50	342.9	4.50	114.3
J-5665-33	I	3000	13,345	1.00	25.4	18.60	472.4	16.88	428.8	13.50	342.9	4.50	114.3
J-5665-34	I	4000	17,793	1.00	25.4	18.60	472.4	16.88	428.8	13.50	342.9	4.50	114.3

① One hole centered in top plate.

② Two holes midway in top plate.



RUBBERPARTSCATALOG.COM

**Table 3 – Specifications and Dimensions**

Part Number	Part Dimension	Weight Each	
	K ③	lb	kg
J-5984-11	.500-20UNF-2B	5.8	2.6
J-5984-20	.625-18UNF-2B	5.8	2.6
J-4976-8	.500-20UNF-2B	10.6	4.8
J-4976-9	.500-20UNF-2B	10.6	4.8
J-4557-13	.500-20UNF-2B	9.2	4.2
J-5665-35	.500-20UNF-2B	17.3	7.8
J-5665-32	.500-20UNF-2B	26.5	12.0
J-5665-33	.500-20UNF-2B	26.5	12.0
J-5665-34	.500-20UNF-2B	26.5	12.0

③ Maximum permissible depth of thread engagement is 0.53".

### LATTICE MOUNTS

**Table 2 – Specifications and Dimensions**

Part Number	Part Dimensions											
	E		F		G		H		J		M	
	in	mm	in	mm	in	mm	in	mm	in	mm	in	mm
J-5984-11	4.50	114.3	2.06	52.3	3.38	85.9	4.19	106.4	0.76	19.3	—	—
J-5984-20	4.50	114.3	2.06	52.3	3.38	85.9	4.91	124.7	0.76	19.3	—	—
J-4976-8	5.50	139.7	3.25	82.6	4.56	115.8	4.19	106.4	0.76	19.3	—	—
J-4976-9	5.50	139.7	3.25	82.6	4.56	115.8	4.19	106.4	0.76	19.3	—	—
J-4557-13	5.00	127.0	3.25	82.6	4.08	103.6	3.50	88.9	0.76	19.3	—	—
J-5665-35	9.14	232.2	5.00	127.0	7.62	193.5	6.08	154.4	0.76	19.3	5.00	127.0
J-5665-32	9.14	232.2	5.00	127.0	7.62	193.5	6.08	154.4	0.76	19.3	—	—
J-5665-33	9.14	232.2	5.00	127.0	7.62	193.5	6.08	154.4	0.76	19.3	—	—
J-5665-34	9.14	232.2	5.00	127.0	7.62	193.5	6.08	154.4	0.76	19.3	—	—

Offering thousands of **standard** industrial rubber products and **innovative "low" and "high" tech custom** elastomeric products.

Figure 1 – Part Dimensions - Type I

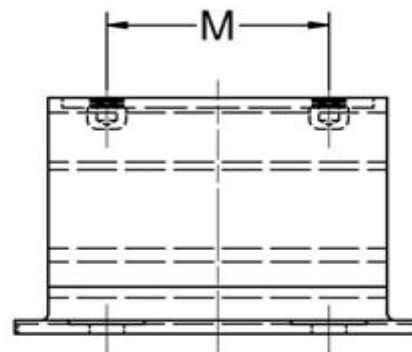
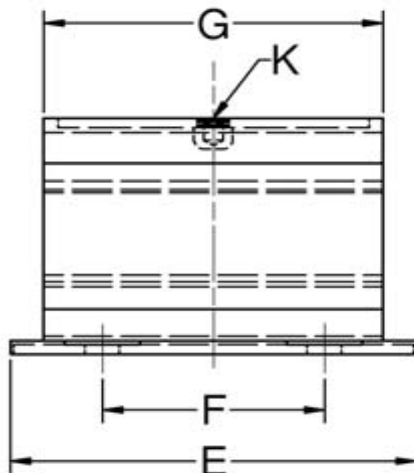
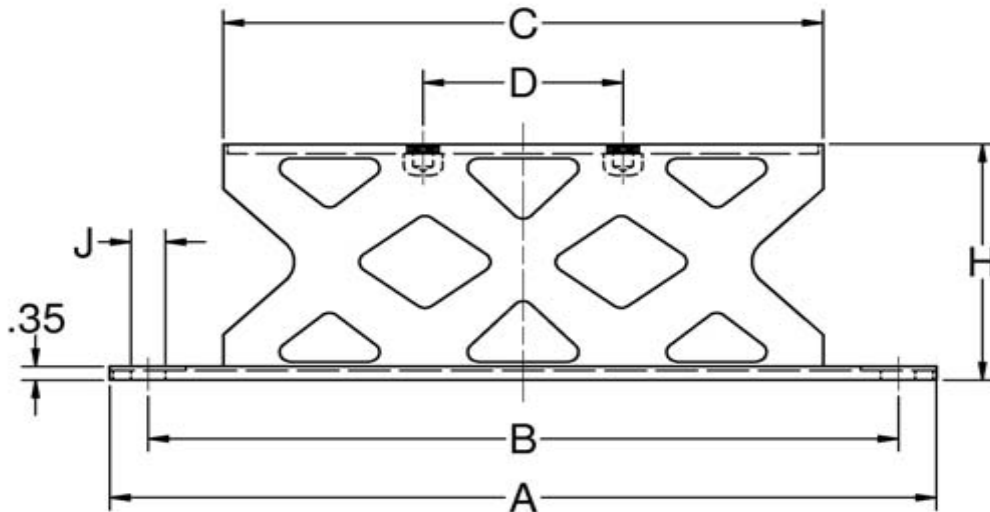


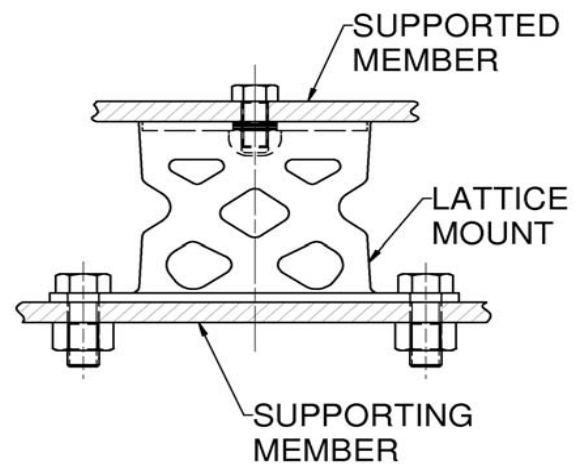
Figure 2 – Installation View

Need assistance with selecting the right mount for your application?

**CALL US @ 800.657.0747**  
Ask for **Engineering**

Need pricing or current inventory?

**CALL US @ 800.657.0747**  
Ask for **Quoting**

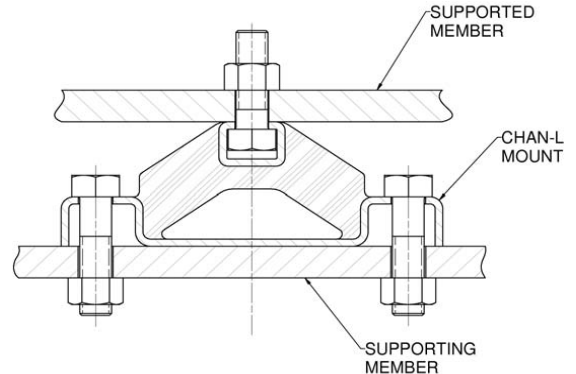


Offering thousands of **standard** industrial rubber products and **innovative** "low" and "high" tech **custom** elastomeric products.

## CHAN-L MOUNTS



Figure 3 – Installation View



### CHAN-L® MOUNTS

**LORD** VIBRATION, SHOCK & MOTION CONTROL  
AskUsHow™

**DELTA FLEX**.com

### Chan-L Mounts

Table 1 – Specifications and Dimensions

Part Number	Type	Maximum Static Load Rating				Part Dimensions Under No Load							
		Load		Deflection		A		B		C		D	
		lb	N	in	mm	in	mm	in	mm	in	mm	in	mm
J-2170-1	II	50	222	0.25	6.4	1.00	25.4	⓪	⓪	3.69	93.7	4.50	114.3
J-2171-1	II	100	448	0.25	6.4	2.00	50.8	⓪	⓪	3.69	93.7	4.50	114.3
J-2172-1	I	200	889	0.25	6.4	4.00	101.6	2.50	63.5	3.69	93.7	4.50	114.3
J-2173-1	I	400	1779	0.25	6.4	8.00	203.2	6.00	152.4	3.69	93.7	4.50	114.3

⓪ One hole centered in each side of mount top plate.

Materials: Steel and Natural Rubber

Table 2 – Specifications and Dimensions

Part Number	Part Dimensions Under No Load								Weight Each	
	E		F		G Ⓜ		H Ø		lb	kg
	in	mm	in	mm	in	mm	in	mm		
J-2170-1	2.75	69.9	1.56	39.6	0.59	15.0	0.41	10.4	0.25	0.1
J-2171-1	2.75	69.9	1.56	39.6	0.59	15.0	0.41	10.4	0.50	0.2
J-2172-1	2.75	69.9	1.56	39.6	0.59	15.0	0.41	10.4	1.06	0.5
J-2173-1	2.75	69.9	1.53	38.9	0.59	15.0	0.41	10.4	2.16	1.0

Ⓜ Provides opening for 3/8" (9.5 mm) hex or square head bolt.

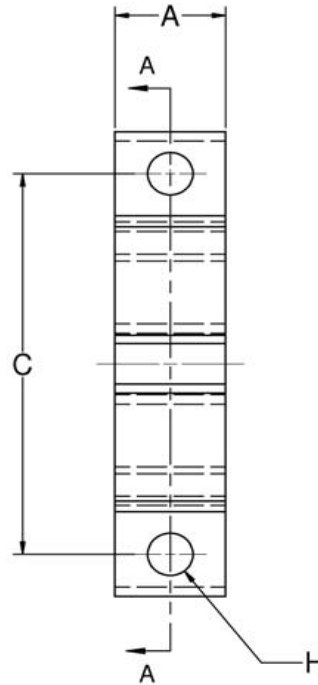
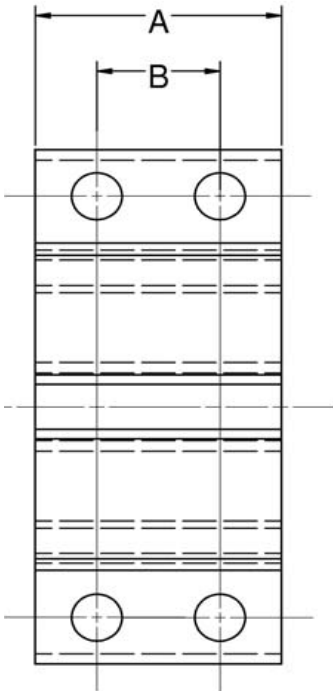
Materials: Steel and Natural Rubber

**Vibration Problems:** LORD Machinery Mounts are specifically engineered to isolate vertical shocks and reduce transmission of structural noise through floors. If your application involves intermittent or continuous vibration frequencies above 600 cycles per minute, use LORD Chan-L Mounts. If frequencies below 600 cycles per minute are involved, use LORD Lattice Mounts.

Offering thousands of **standard** industrial rubber products and **innovative "low" and "high" tech custom** elastomeric products.

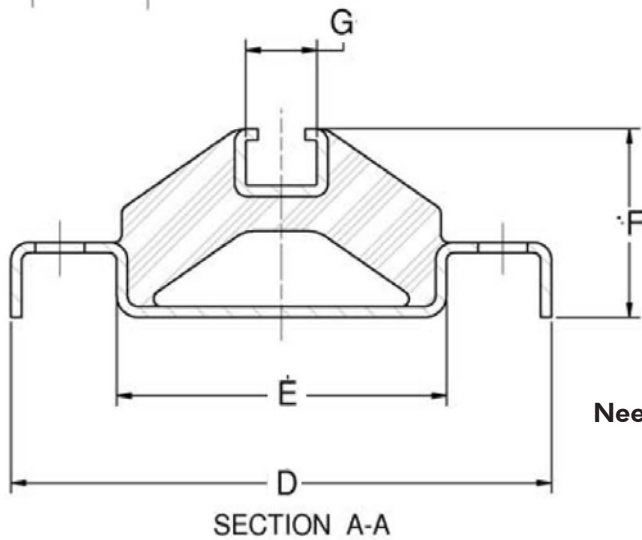
Figure 1 – Part Dimensions - Type I

Figure 2 – Part Dimensions - Type II



Need pricing or current inventory?

**CALL US @ 800.657.0747**  
Ask for **Quoting**



Need assistance with selecting the right mount for your application?

**CALL US @ 800.657.0747**  
Ask for **Engineering**

### MACHINERY MOUNT

Need pricing or current inventory?  
**CALL US @ 800.657.0747** Ask for **Quoting**

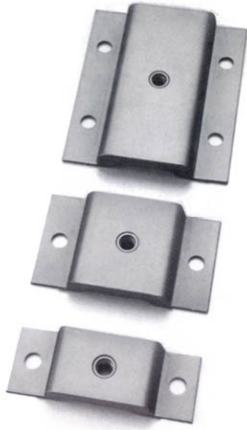
Offering thousands of **standard** industrial rubber products and **innovative** "low" and "high" tech **custom** elastomeric products.

## INDUSTRIAL SHOCK MOUNTS

Need pricing or current inventory?

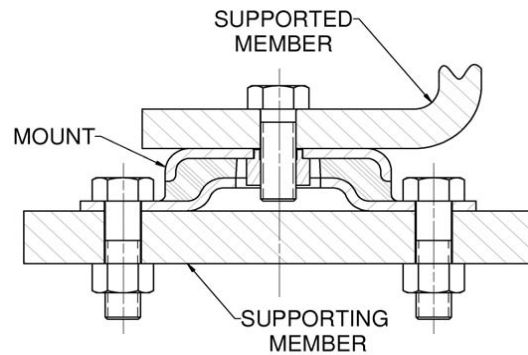
**LORD**  
AskUsHow™

**CALL US @ 800.657.0747**  
Ask for **Quoting**



RUBBERPARTSCATALOG.COM

Figure 3 – Installation View



### INDUSTRIAL SHOCK MOUNTS

**LORD** VIBRATION, SHOCK & MOTION CONTROL  
AskUsHow™

**DELTA FLEX**.com

## Industrial Shock Mounts

Table 1 – Specifications and Dimensions

Part Number	Figure	Maximum Axial Load		Deflection @ Maximum Axial Load		Part Dimensions							
		lb	N	in	mm	A		B		C - Diameter		D	
						in	mm	in	mm	in	mm	in	mm
J-2919-1	1	750-1500	3336-6672	0.03	0.762	2.5	63.5	—	—	0.656	16.7	1.19	30.2
J-2867-1	1	1500-3000	6672-13,345	0.03	0.762	4	101.6	—	—	0.656	16.7	1.19	30.2
J-2866-1	2	3000-7500	13,345-33,362	0.03	0.762	8	203.2	4	101.6	0.656	16.7	1.19	30.2

**Material:** Parts made of Neoprene Elastomer.

Table 2 – Specifications and Dimensions

Part Number	Part Dimensions					
	E	F		G		
		in	mm	in	mm	
J-2919-1	5/8-11UNC-2B	5.5	139.7	7	177.8	
J-2867-1	5/8-11UNC-2B	5.5	139.7	7	177.8	
J-2866-1	5/8-11UNC-2B	5.5	139.7	7	177.8	

**Material:** Parts made of Neoprene Elastomer.

**Vibration Problems:** LORD Machinery Mounts are specifically engineered to isolate vertical shocks and reduce transmission of structural noise through floors. If your application involves intermittent or continuous vibration frequencies above 600 cycles per minute, use LORD Chan-L Mounts. If frequencies below 600 cycles per minute are involved, use LORD Lattice Mounts.

Offering thousands of **standard** industrial rubber products and **innovative “low”** and **“high”** tech **custom** elastomeric products.

**MACHINERY MOUNTS**



Figure 1 – Part Dimensions

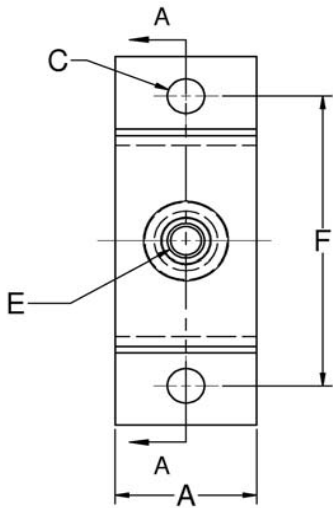
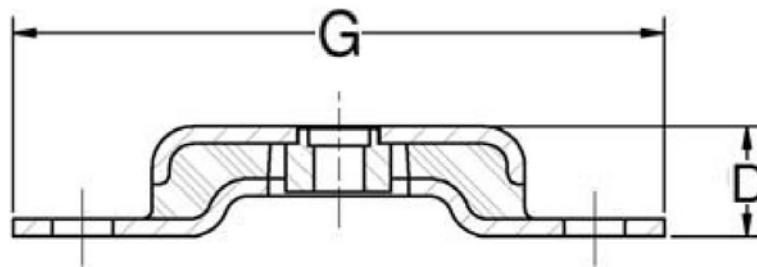
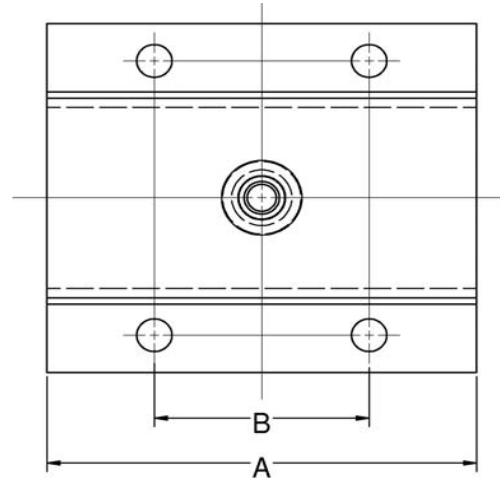


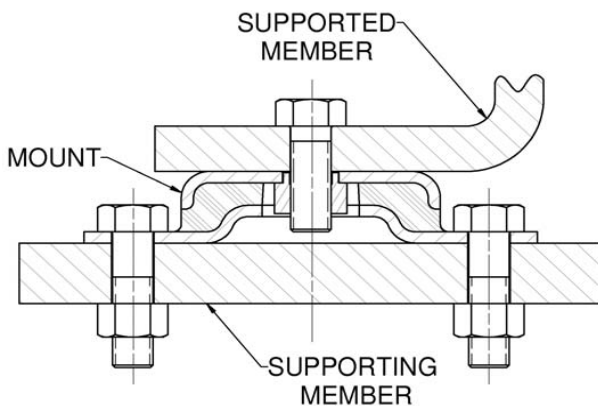
Figure 2 – Part Dimensions



SECTION A-A

**Installation:** Each LORD Industrial Shock Mount is only 1-3/16" (30.16 mm) high. It requires minimal lifting of machinery, and does not shift the machine's center of gravity. The top plate of each Shock Mount is tapped to receive a standard 5/8-11 UNC-2B bolt for attaching to the machine. Through holes are provided on each side of the bottom plate extension for bolting the Shock Mount to the floor.

Figure 3 – Installation View



Need assistance with selecting the right mount for your application?

**CALL US @ 800.657.0747**  
Ask for **Engineering**

Offering thousands of **standard** industrial rubber products and **innovative** "low" and "high" tech **custom** elastomeric products.

## LEVELING MOUNTS



RUBBERPARTSCATALOG.COM

Need assistance with selecting the right mount  
for your application?

**CALL US @ 800.657.0747**  
Ask for **Engineering**

### LEVELING MOUNTS

**LORD** VIBRATION, SHOCK & MOTION CONTROL **DELTA FLEX**.com

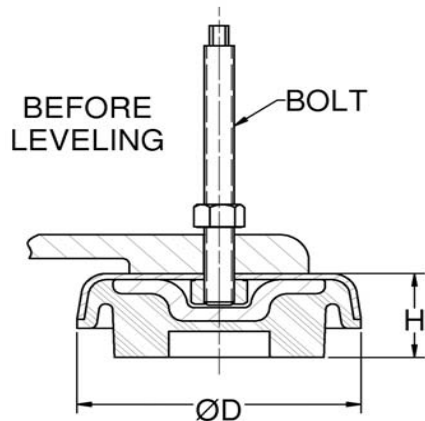
**Table 1 – Specifications and Dimensions**

Part Number	Maximum Axial Load		Adjusting Bolt		Part Dimensions				Weight Each	
					D		H - Height (Free)			
	lb	N	in	mm	in	mm	in	mm	lb	kg
J-16462-4	4500	20017	3/4 - 10UNC x 5"	127	6-1/4	158.8	1-5/8	41.3	5.0	2.3

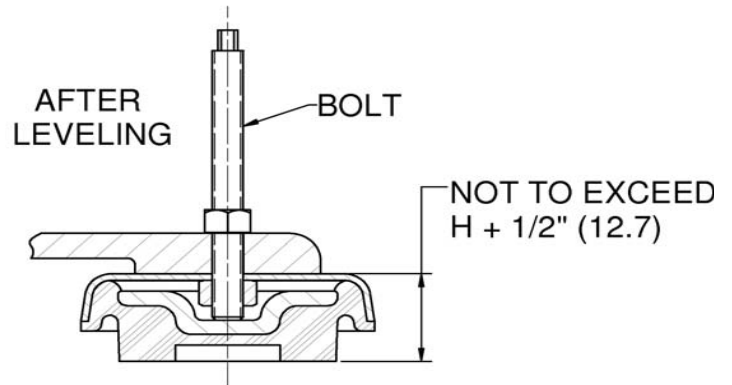
**Maximum adjustment is 1/2" (12.7 mm). Do not exceed this amount.**  
Metal housing made of high strength steel - high visibility yellow paint (OSHA approved).  
Elastomer: neoprene compounded to resist oil, ozone and caustic material.

Adjustment bolt and lock nut included.  
Vertical natural frequency under maximum load: 12 Hz.

**Figure 1 – Part Dimensions**



**Figure 2 – Part Dimensions**



**Installation:** Before installing, be sure the mounts are the right ones for your machine.

1. Remove adjusting bolt and lock nut from mount.
2. Raise machine and slide mount under foot.
3. Insert adjusting bolt through clearance hole in foot and engage threads in mount.
4. Lower machine onto mounts
5. Turn bolt until it bottoms.

**To Level:**

6. Level machine by turning the adjusting bolt.
7. Tighten lock nut against machine base.

Offering thousands of **standard** industrial rubber products and **innovative "low" and "high" tech custom** elastomeric products.

# TECHNICAL DATA

# Elasta-Center

OFFERING THOUSANDS OF STANDARD INDUSTRIAL RUBBER PRODUCTS AND INNOVATIVE "LOW" AND "HIGH" TECH CUSTOM ELASTOMERIC PRODUCTS.

## APPLICATION SELECTION GUIDE

	Standard	Platform	Henry Day	Multi-Pore	Center-Bored Mounts	CR 100 series	CR 180 series	CR 50 series	CR 200 series	CR 2700 series	Bushings	Center-banded	Spore	Sandwich Mounts	Small Industrial mounts	Metric	Small	Medium	Large	Machinery Mounts	Lake	Chain-Mounts	Leveling	Industrial	Foot Ends	Couplings	Shear	Spool Type	Rolling Type	TC				
<b>Actuators</b>														•												•								
<b>Cabs</b>				•																														
<b>Computer &amp; Accessories</b>	•																																	
<b>Covveyors</b>																																		
<b>Delicate Equipment</b>	•																																	
<b>Drive Lines</b>																																		
<b>Electronics</b>	•																																	
<b>Engines</b>	•																																	
<b>Engine Gen/Pumps sets</b>	•																																	
<b>Fans/Blowers</b>	•																																	
<b>Heating/Cooling Units</b>	•																																	
<b>Instruments &amp; Gauges</b>	•																																	
<b>Machinery - Punch, Printing, Milling, Presses</b>	•																																	
<b>Motors Electric</b>	•																																	
<b>Pumps. Compressors</b>	•																																	
<b>Shakers/Vibrators</b>																																		
<b>Vehicle Accessories</b>	•																																	
<b>Shipping Containers</b>																																		

# VIBRATION, SHOCK & MOTION CONTROL

---

## **RUBBER PARTS CATALOG<sup>®</sup>.com**

Manufacturing

Distribution

Vibration Mounts

Grommets

Bumpers

Gaskets

Bushings

Stock & Custom Parts

Molded & Extruded

Military Grommets

End Caps

Adhesive Backed Bumpers

Lab Stoppers

Tips & Caps

Cord Stock

Suction Cups

Rubber Washer

O-Rings

Sheet, Sponge & Matting

Custom Fabrication

Blanket Service

Inventory Management & Releases

**DELTA**FLEX<sup>™</sup>.com



**Headquarters**  
1515 16th Street  
Racine, WI 53403

**Phone** 262.632.2345  
**Customer Service** 800.657.0747  
**Fax** 262.632.0271

A parts listing in this catalog does not guarantee its availability. To download the most current version to go to [RubberPartsCatalog.com](http://RubberPartsCatalog.com)

Values stated herein represent typical values as not all tests are run on each lot of material produced. For formalized product specifications or specific products end uses, contact [Engineering @ 800.657.0747](mailto:Engineering@800.657.0747).

Information provided herein is based upon tests believed to be reliable. In as much as DELTAFLEX and/or LORD Corporation has no control over the manner in which others may use this information, it does not guarantee the results to be obtained. In addition, DELTAFLEX and/or LORD Corporation does not guarantee the performance of the product or the results obtained from the use of the product or this information where the product has been repacked by any third party, including but not limited to any product end-user. Nor does the company make any express or implied warranty of merchantability or fitness for a particular purpose concerning the effects or results of such use.

Flex-Bolt and "Ask Us How" are trademarks of LORD corporation or one of its subsidiaries  
DeltaFlex, the df triangle, RubberPartsCatalog and its logos are registered trademarks of Delta Flexible Products, Inc.