



RV SATELLITE ANTENNA  
AUTOMATIC SKEW TWIN LNB

SSA-850



INSTALLATION AND OPERATION MANUAL

Please ensure that this manual is read in full prior  
to installing or using this sphere satellite unit.  
Design and specifications are subject to change without notice.

Made in Korea.

## ***Notes, Cautions, and Warnings***



.....  
**Caution** – Improper handling by unqualified personnel can cause serious Damage to this equipment. Unqualified personnel who tamper with this Equipment may be held liable for any resultant damage to the equipment.  
.....  
Install under DRY CONDITIONS ONLY! Do not install this system in the rain, Or under any wet conditions. Moisture may affect electronics and void warranty!  
.....



.....  
**Warning** – Need 2 people to install the antenna onto the roof. Do not try to install the antenna by yourself.  
.....

**Note** – Before you begin, carefully read each of the procedures in this manual. If you have not performed similar operations on comparable equipment, ***do not attempt*** to perform these procedures.  
.....

## ***Introduction***

The Sphere SSA-850 RV Satellite Antenna with Auto skew TWIN LNB is innovative and a technologically advanced satellite Positioner system. The antenna has a unique combination of state-of-the art components with the most sophisticated satellite acquisition and tracking programs to locate and lock onto the OPTUS C1/D3 Satellite in Australia, provide the following features:

- Auto Skew
- Twin LNB
- Fast satellite acquisition of the Optus C1/D3 satellite
- Compatible\* with any Satellite Receiver \*(That Use a 10.700GHz L.O.)
- Capable of High Definition receiving

## Specification

Antenna Type	Off-set Dish
Frequency Band	Ku Band
LNB local oscillator (LO)	10.700 GHz
Antenna Dish Dimension	860x920mm
Polarization	Horizontal and Vertical
Elevation Range	20° to 74°
Azimuth Range	365°
Tracking Rate	50°/sec
Temperate Range	-20° to 70°
Power	12 VDC
Current Usage	Max2.5A(Typ.1.6A) on SEARCH. NO Current in Sleep mode
Antenna Weight	16kg - Roof unit ONLY. 19kg - Total Installed weight

## Main System Components



### Antenna Unit

The antenna unit houses the antenna positioning Mechanism, LNB (low noise block), and control Elements within the antenna. Weather tight connectors join the power, signal, and control cabling from the antenna IDU unit.



### IDU (In Door Unit)

The IDU is the system's user interface, providing access to the system and its functions through an LCD display Power and two control buttons.

IDU provides the power to the antenna as well as receives the satellite signal from the antenna unit.

This section offers a general explanation of how to correctly install the Sphere SSA-850 RV Satellite Antenna. Installation of the antenna is recommended to be fitted by a Sphere Dealer, or RV Accessories fitter.

## Unpacking the unit (2 boxes)

### 1. Open the Main box and remove packing material.

The following items are included in the packaging of the Main Antenna carton.

Item No.	Description	Quantity
1	Main Antenna Unit	1 each
2	IDU (In Door Unit)	1 each
3	Control Cable (7m)	1 each
4	Coaxial Cable (7m)	<b>2 each</b>
5	Coaxial Cable (1m)	1 each
6	Power Cable (1.5m)	1 each
7	Roof top cable junction box	1 each
8	Roof top cable entry plate	1 each

### 2. Open the Dish box and remove packing material.

1	85cm Antenna Dish Only	1 each
---	------------------------	--------

Ensure all above components are included before proceeding with the installation. Should any parts be missing, please contact the selling dealer with the units serial number handy.

## Preparing for the installation

### Install Tools and Materials

The antenna system is designed for simple installation and setup. However, the following list of equipment or items should be available during installation of the antenna.

- Electric drill and drill bits
- Socket wrench
- Silicon sealant
- Fastener suitable for specific application

#### 1. Verification of the RV's Power Supply.

- Confirm that the RV's power supply is 12VDC.

**NOTE: Should IGN+ Close feature is to be installed/wired; permanent power from the house battery is required. If this house power is to be isolated prior to dish being fully closed, please contact [technical@coastrv.com.au](mailto:technical@coastrv.com.au) for further assistance.**

#### 2. Verification of the Satellite Receiver and IDU's attachment and the electricity supply

- Install the IDU and Satellite Receiver in the interior of the RV.
- Connect power to IDU and Satellite Receiver.
- Once the power of IDU and Satellite Receiver is verified, confirm that both IDU and Satellite Receiver are working normally.

#### 3. Procedure of the satellite's attachment and installation.

- Installation of the satellite must be on the flat roof surface area of the RV.
- Connect 2x 7m coaxial cables and 1x 7m control cable to the satellites Terminals.
- Connect the IDU and the Satellite Receiver box with each of the coaxial cables.
- Make sure that the satellite is working normally, once the power is supplied.

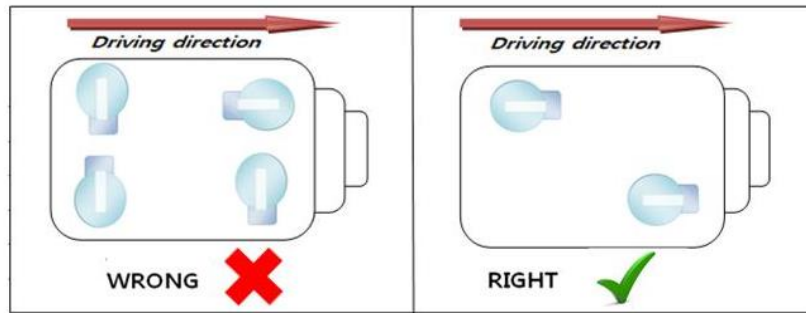


---

**Warning:** Things to consider when installing the antenna.

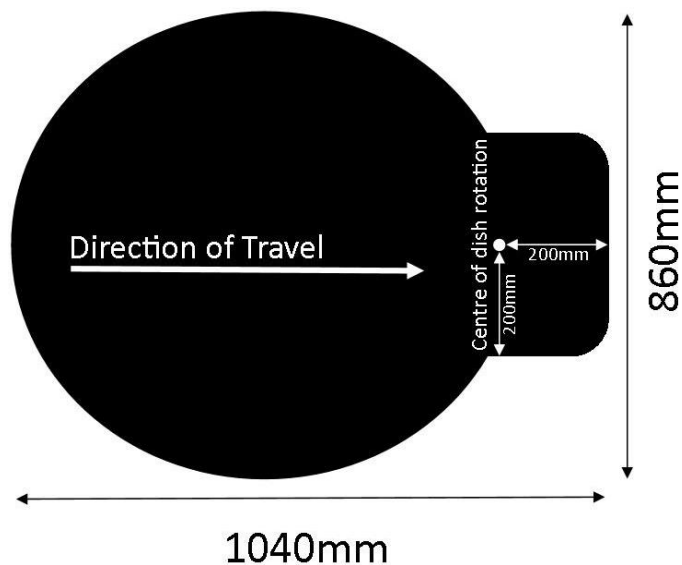
- Turn **off the power** when attaching or detaching the antenna.
  - Make sure that the attached satellite is fixed **on the flat surface**.
  - when attaching, ensure that all the products are adhered properly.
  - Ensure that all the cables are connected properly.
-

## Selecting the location



Determine the optimum mounting location for the roof top antenna assembly. It should be installed where:

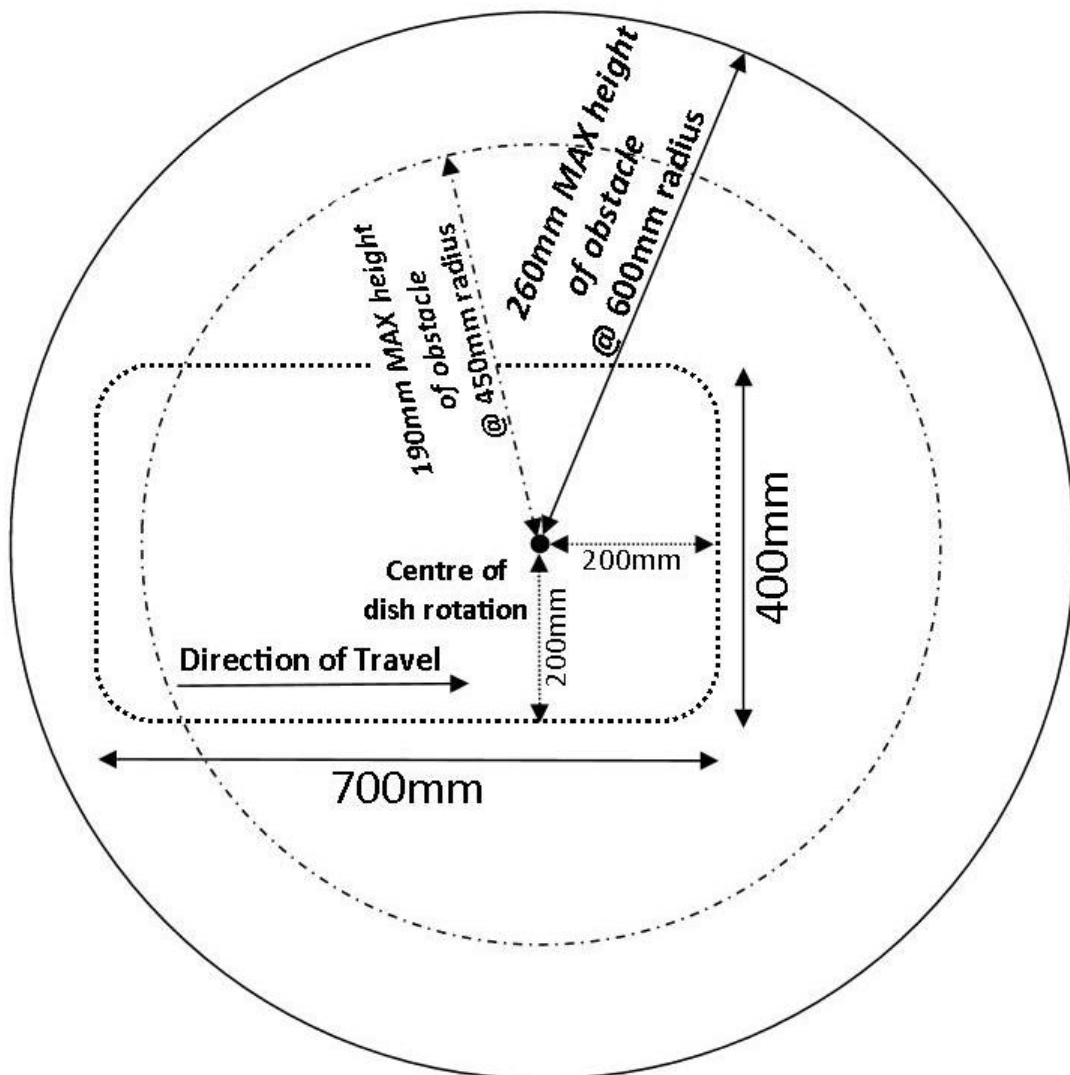
1. The antenna assembly should be rigidly mounted to the roof of the RV.  
If necessary, reinforce the mounting area to assure that it does not flex due to the weight of the antenna, RV motion or vibration. The Sphere unit was designed with an oversized 700 x 400mm lower base mounting plate, ensure that this is securely fixed in all provided screw fixing locations as well as applying a sealant under the base plate as well as over all of the screw fixings that are used to secure this to the roof of the RV and to prevent any water leakage into the RV cabin.
2. Allow the minimum fixing foot print in the closed position.  
Note: The black shaded area is used completely by the Satellite dish when closed



**Closed height** (from RV roof top to top of closed satellite): 200mm

3. Recommended minimum rotation clearance (from centre of dish rotation)

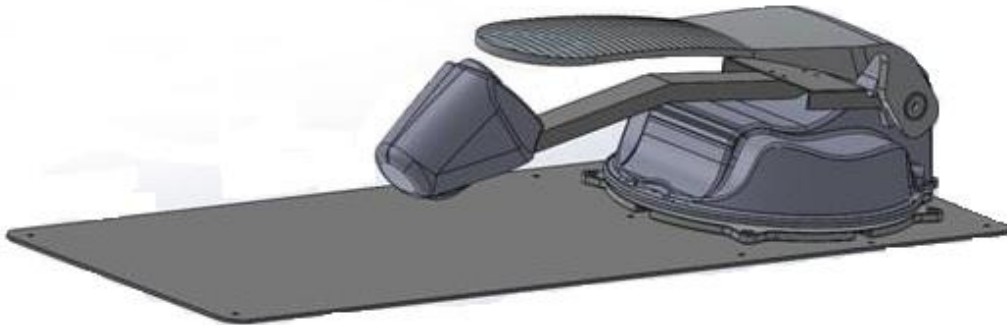
- @ 450mm Radius - surrounding items such as hatches etc. must NOT be taller than 190mm in height.
- @ 600mm Radius - surrounding items such as AC units or Roof Storage Pods must NOT be taller than 260mm in height



## Installing the roof top dish antenna

Once the location of the antenna has been selected, prepare the area of the RV roof to glue and screw the roof top unit assembly into position. Screw location fixing points have been provided, should you need additional fixing locations mark and drill these as required.

Ensure that all screw fixings are covered with sealant to ensure that there are no leaks into the RV.



## Installing the roof top cable cover and entry plate

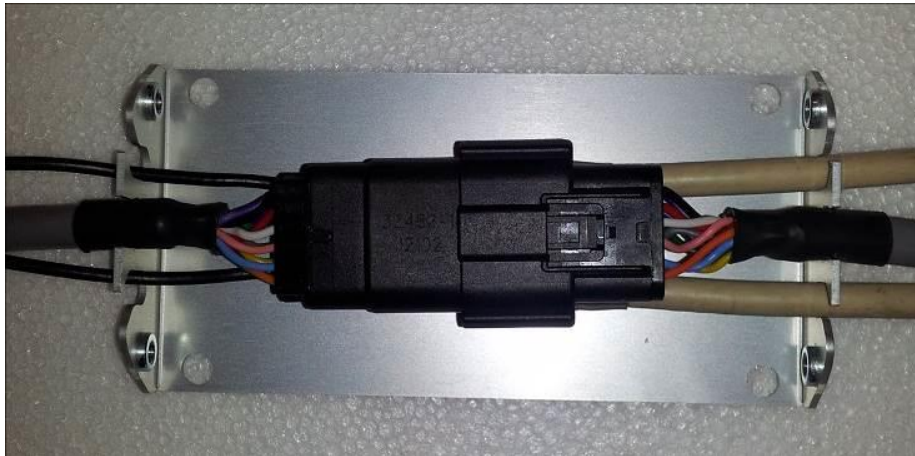
Once the antenna has been installed, the cover and cable entry plate needs to be installed.



Example of cable cover and entry plate ready to be glued and screwed into position.



The Cable cover is to be placed between the antenna and the cable entry plate. This houses the 2x coax feeds and the main control cable connection plug. The base of this cover is to be glued and screwed to the roof of the RV, the cover is then placed over this and screwed in place. NOTE: DO NOT Glue the top white cover in place, this is held to the base plate with the 4x provided screws.



Drill an entry hole in the required position of 35-40mm to allow the main control connection to pass through the hole from inside the RV (A smaller hole can be used if you are to feed the complete loom from the roof down) This hole is used to pass the 2x coax cables and main control cable through the roof of the RV. Pass the cables through the hole and ensure that the cable entry plate is covering the hole and mark the locations for the screw fixing holes to pre-drill the roof. Apply sealant around the cable entry plate base and ensure that enough sealant is used at the opening of the plate where the cables exit. Screw the cover plate down and apply sealant over each screw to ensure no leaks are seen into the RV.



Example of cable entry plate ready to be glued and screwed into position.

## Installing the dish to the roof top antenna assembly

Once power and control cables are connected, follow the operation steps below to enable the dish bracket to rise, once the Dish bracket is raised and before the unit has started to rotate the IDU needs to be paused to allow the dish skin to be added.

Remove the screws from the dish bracket and align the dish to the dish bracket. Fix the dish skin in place with the screws provided and follow the steps to close the dish.



### Power up to open the dish bracket

- Press the POWER button
- Press the SEARCH button
- Once the dish bracket is in the open/upright position press and HOLD the SEARCH and CLOSE buttons for 3Seconds, the IDU will power off and stay open. Attach the dish skin to the dish bracket.

### Power up to return to the closed position with dish skin fitted.

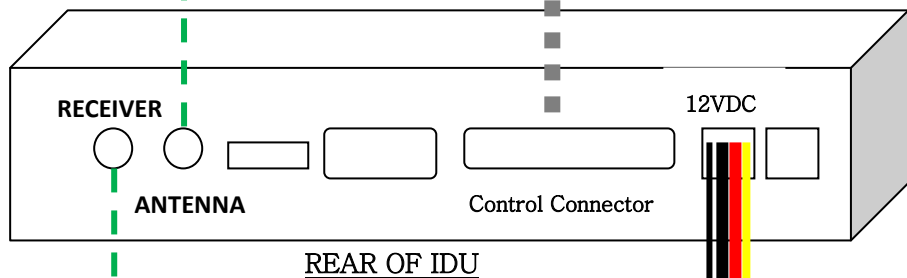
- Press the POWER button
- Press the CLOSE button, the IDU will power off when the dish is closed.

## Equipment and cable installation

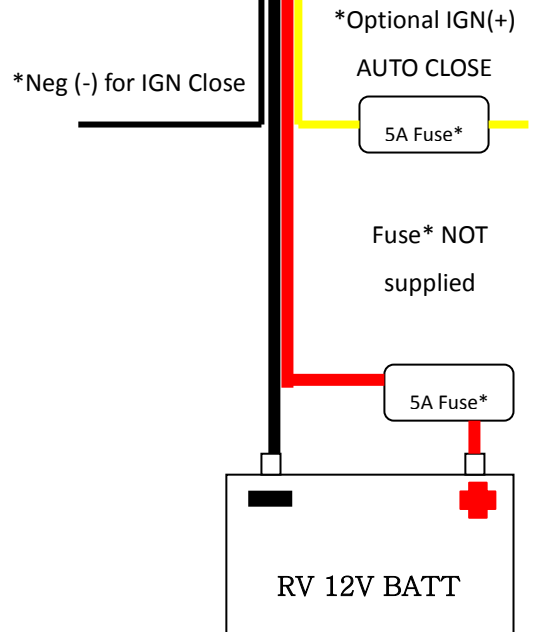
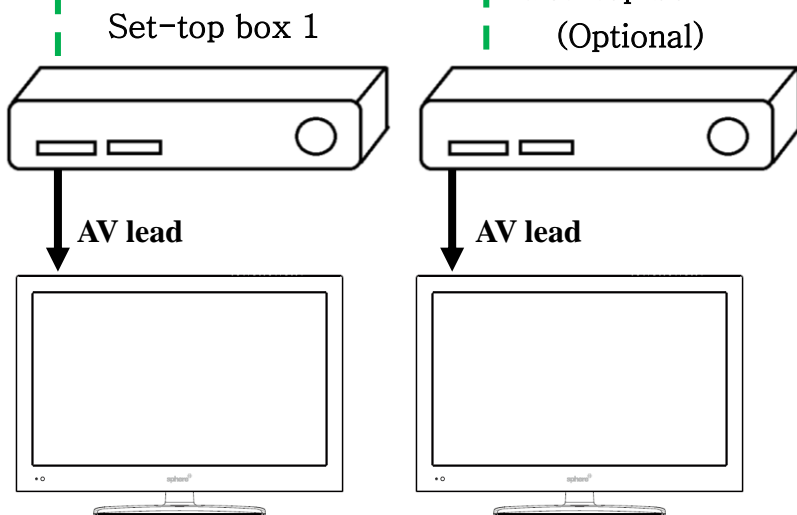
This offers a general explanation of how to install the IDU and 'Satellite receiver' (Satellite receiver is Not supplied in this kit), to the inside of the RV, connecting with the Main Control Cable and 2x coaxial cables.

1. The 2x Coaxial cables and Main Control cable is routed from the antenna to the IDU inside the RV.
2. After once deciding where to place the IDU and satellite receiver, make sure that both units are placed in a dry and protected area.
3. The IDU and satellite receiver should be placed away from any heat source and in an area with proper ventilation.
4. Ensure that there are at least 3cm of space around both units for ventilation and connection of cables. **Do not stack the units on top of each other.**
5. The following describes the basic wiring configurations for the antenna system.
  - Connect the Main Control Cable to the Main cable connection on the rear of the IDU.
  - Connect 1x Coaxial cable to the 'Antenna' port on the back of the IDU.
  - Connect the 2<sup>nd</sup> Coaxial cable to the Satellite receiver installed into the RV.
  - **Optional(2<sup>nd</sup> Satellite Receiver/or Twin Tuner Satellite receiver connection)** Connect the 1m Coaxial cable to the 'Receiver' port on the IDU and connect this to the 2<sup>nd</sup> Satellite Receiver (or to the 2<sup>nd</sup> LNB input of a Twin Tuner Satellite receiver.)
6. Connecting power to the IDU
  - RED Wire = Connect to Max.5A FUSED 12V (+) Pos. Power circuit of the RV house battery.
  - THICK BLACK Wire = Connect to RV Battery Negative (-) / Common Ground circuit.
  - YELLOW\*(*Optional, May involve extra fitting costs*) = Connect to Max.5A FUSED 12V IGN(+) Pos. Power circuit of the RV Chassis/Start battery (Ignition feed from Key Switch) \*NOTE\* RED Wire of IDU needs to have Permanent power supply for this IGN+ Close option to function
  - Thin Black = Connect to RV Chassis/Start Battery Negative (-) or Common Ground circuit.

# Connection diagram



NOTE: If set-top box No.1 is a TWIN Tuner receiver, then also connect coax cable from IDU 'Receiver' port to the 2<sup>nd</sup> input.





The Sphere SSA-850 RV Satellite Antenna system was designed for its ease of use. This has been programmed to locate the OPTUS C1/D3 series satellite for receiving of TV broadcast signals. Two Operation zones were added to aid in the search time, **OPTUS C1/D3 EAST** and **OPTUS C1/D3 WEST**. The Antenna unit initialization and satellite acquisition is completely hassle free.

### **Receiving Satellite TV Signals**

Television satellites are located in fixed positions above the Earth's equator and beam TV signals down to certain regions of the planet. To receive TV signals from a satellite, you must be located within that satellite's unique coverage area. In addition, since TV satellites are located above the equator, the antenna must have a clear view of the sky to receive satellite TV signals. Anything that stands between the antenna and the satellite can block the signal, resulting in lost reception. Common causes of blockage include trees, buildings, and mountains. Heavy rain, ice, or snow might also temporarily interrupt satellite signals.

## Turning the System On/Off

Since power to the antenna system is controlled by the IDU, you can turn the antenna on or off by applying power to the IDU.

### Turning on the System

Follow the steps below to turn on your antenna System.

1. Make sure the antenna has a clear view of the sky.
2. Turn on your satellite TV receiver and TV.
3. Press the **POWER** button on the IDU.
4. When the display powers up. Press the **SEARCH** button. The IDU will display the **OPTUS C1/D3 EAST**, if you are in the EAST Zone, and then allow the unit to start tracking. If you are in the WEST Zone (please refer to the zone map) while the display is flashing quickly (approx. 3 second window), press again the **SEARCH** button to toggle to **OPTUS C1/D3 WEST**. The IDU will now control the Antenna, please allow the satellite to rotate and search for the selected satellite. Once the IDU locates the satellite and adjusts the Elevation/Direction and final LNB Skew setting for your area, the IDU Display will power OFF to save power.

### Turning off the System (To CLOSE the DISH)

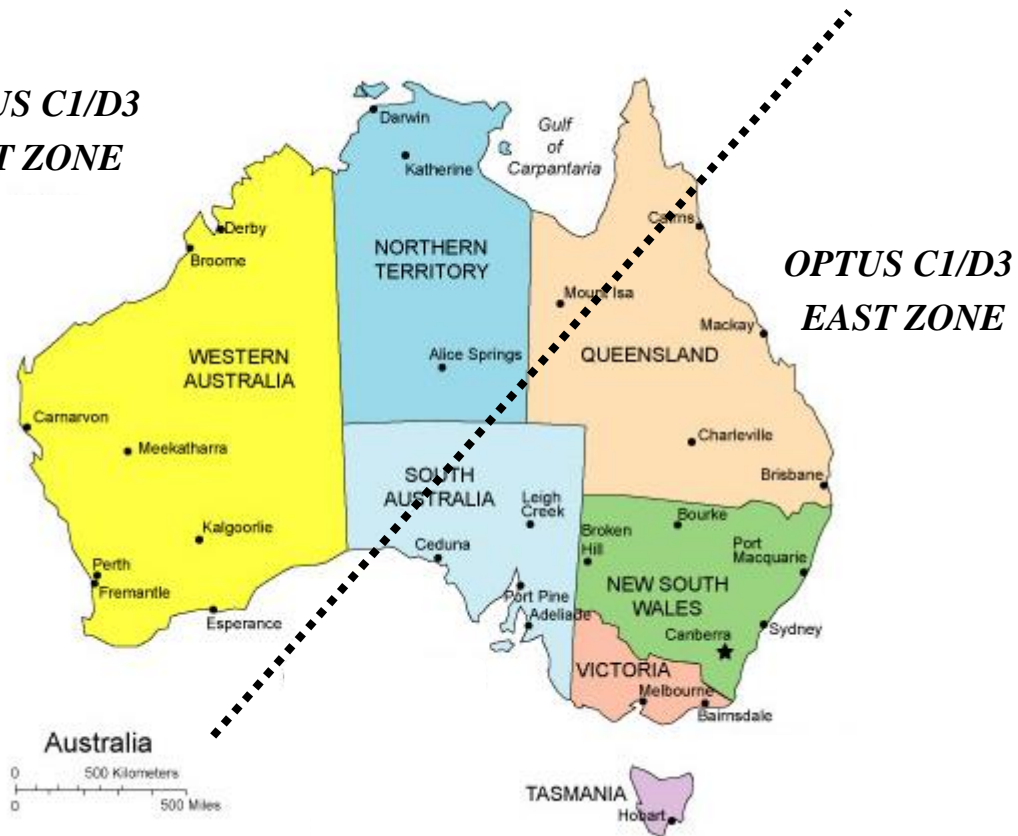
Follow the steps below to **CLOSE** the dish and to turn off your antenna System.

1. Press the **POWER** button on the IDU.  
(This will 'wake up' the IDU from its sleep mode.)
2. Press the **CLOSE** button on the IDU, this will start to close the dish to the home/closed position ready for travel. Once this is completely closed the IDU display with power off and go back into Sleep mode.
3. Turn off your Satellite TV receiver and TV.

## OPTUS C1/D3 ZONE MAP

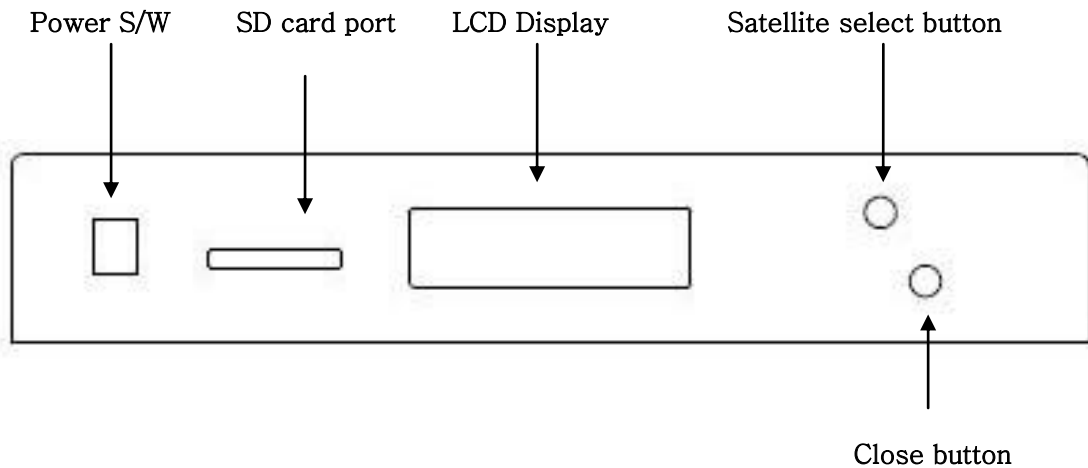
Once you have pulled up at your next camp for the night or many weeks, follow the below map as a guide for the EAST/WEST Zones that have been setup in the IDU Software. Be selecting the correct zone this will allow the Satellite unit to locate and lock onto the OPTUS C1/D3 within a few minutes. The IDU Uses the feature of 'LEM' (Last Elevation Memory) so if you have only travelled a few hundred Kilometers since your last stop the satellite tracking will be quite fast at approx. 1-2minutes for the Sphere Satellite unit to locate and lock onto the satellite once again. If you have traveled some greater distance e.g. from Perth to Cairns without using the satellite on your travels, this may take up to approx. 10minutes to locate and lock onto the OPTUS C1/D3 Satellite. (This also may be seen on your very first setup of the satellite antenna.)

***OPTUS C1/D3  
WEST ZONE***



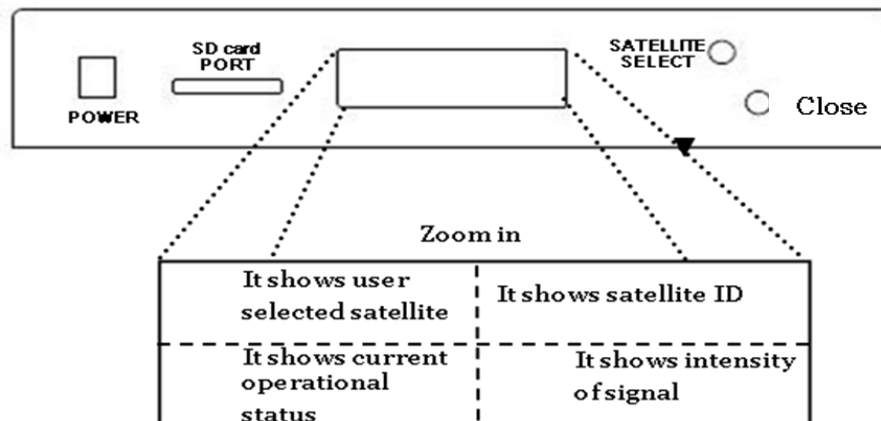
## Operating the IDU

### Appearance



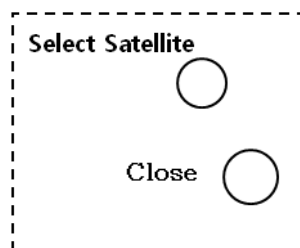
**Figure 3-2 Appearance of IDU**

### Functions of LCD Display



**Figure 3-3 Functions of LCD Display**

### Emergency Stop



If you want to stop or Turn off the antenna immediately, you need to push the 2 button at one time for more than 3seconds, and then antenna will turn off at that position.



## Changing Channels

If you have followed the installation and operation instructions, your system should now be set to the OPTUS C1/D3 satellite and the system should have downloaded the appropriate channel guides. When the antenna system and satellite receiver is properly configured, it is easy to change the channel by using the remote control that normally comes supplied with the Satellite receiver unit. (Please refer to the user manual for your satellite receiver)

## Software Updating

### Satellite Frequency/Transponder Data Changed

If some channels work, while one or more other channels do not, or if the antenna cannot find the selected satellite, the satellite's frequency data might have changed. You can visit any authorized Sphere dealer or contact [technical@caostrv.com.au](mailto:technical@caostrv.com.au) for further assistance.

### Software updates

Should the transponders change in the future, a software update may be required. You can visit any authorized Sphere dealer or contact [technical@coastrv.com.au](mailto:technical@coastrv.com.au) for further assistance. New Software will be available at this time. This can be sent via email and is to be copied to a SD card and inserted into the IDU for a software update.

- Copy the new software file to the SD card
- Insert the SD card into the SD card port on the IDU
- Press the POWER button on the IDU, allow the IDU to copy the new software file and update the IDU the startup screen will show when the software is finished updating.
- Press the SEARCH button and select the correct zone.



---

## Warranty Against Defects

### 1 WHAT THIS WARRANTY RELATES TO

1.1 This warranty covers goods supplied by Coast RV Pty Ltd T/A Coast to Coast RV Services ("Supplier") to the Client ("Goods") and relates to any defects in materials and workmanship under normal use and maintenance ("Defect").

### 2 WHAT THE SUPPLIER WILL DO TO HONOUR THE WARRANTY

2.1 The Supplier will:

- (i) replace or repair the Goods or the defective part of the Goods free of charge;
- (ii) arrange for the Goods or the defective part of the Goods to be repaired or replaced by a qualified repairer free of charge.

2.2 The Supplier reserves the right to replace defective parts of the Goods with parts and components of similar quality, grade or composition where an identical part or component is not available.

2.3 Goods presented for repair may be replaced by refurbished goods of the same type rather than being repaired. Refurbished parts may be used to repair the goods.

### 3 WHAT THE CLIENT MUST DO TO CLAIM THE WARRANTY

3.1 To claim the benefit of the warranty, the Client will need to (sequentially):

- (i) first contact the Supplier; and
- (ii) present the defective Goods to the Supplier for inspection, including inspection for defective workmanship, or otherwise provide evidence of the claimed Defect, accompanied by evidence of proof of purchase and date of delivery, and if applicable, evidence of maintenance performed in accordance with the relevant maintenance schedules.

3.2 The claim listed in clause 3.1 may be made in person, or the claim may be sent to the address listed on this form, including the particulars required under clauses 3.1(i) and 3.1(ii).

3.3 The appropriate form for making a claim for warranty is as attached.

### 4 DURATION OF WARRANTY

4.1 This warranty will cease:

- (i) where the Goods are purchased already fitted in or as a component of a vehicle or RV: from the date that is twelve (12) months after the Client takes delivery of the vehicle or RV; and
- (ii) where the Goods are purchased separately or as an after-market item: from the date that is twelve (12) months from the date of purchase..

4.2 If a Defect does not materialise in the Goods prior to the date provided in clause 4.1, the Supplier will have no liability to the Client under this warranty.

### 5 RESPONSIBILITY FOR COSTS OF CLAIM UNDER THIS WARRANTY

5.1 The Supplier is responsible for the costs directly associated with repairing or replacing the Goods in accordance with clause 2.1 only.

5.2 Any works required to be completed in addition to fixing the Defect are the responsibility of the Client. Additional works includes any costs associated with any testing or repair of the Goods or any goods to which they are fitted, undertaken by a third party in relation to any defect without prior authorisation from the Supplier.

5.3 Where it is determined that the Goods do not have a Defect, the Client will be charged a GST exclusive inspection fee of forty-five dollars (\$45.00AUD in Australia or \$45.00NZD in New Zealand) plus freight costs for the return of the Goods, this is subject to change without notice.

5.4 The cost of delivery and insurance of the Goods to and from the Supplier, travel costs to and from the Supplier, and the cost of inspecting and testing the Goods are the sole responsibility of the Client.

## **6 WARRANTY LIMITATIONS**

- 6.1 The Supplier makes no warranties or representations other than those set out in this warranty document except as is required by law.
- 6.2 The Supplier will not be liable under this warranty:-
- (i) to the Client or any other person for any consequential, direct or indirect loss, damage or costs incurred or suffered by the Client or any other person, including but not limited to damage to persons, other property, loss of turnover, loss of profits, loss of business or goodwill;
  - (ii) to the Client for transportation or travel costs which are the Client's responsibility;
  - (iii) for damage or defects in any Goods caused by improper transportation, storage or any other misuse, neglect or accident.
  - (iv) for the installation of the Goods. Any fault or defect due to installation should be referred to the installer. The Goods must be installed in accordance with the Manufacturer's instructions and any relevant legislation or code.
- 6.3 This warranty covers the Client only and it is not transferrable if the Goods are sold by the Client during the warranty period.

## **7 WARRANTY EXCLUSIONS**

- 7.1 This warranty will not apply where:
- (i) the Goods have been improperly modified or repaired or the Good's defect has arisen due to the Client's failure to properly install, fit, maintain, service or use the Goods in accordance with the specifications and instructions provided by the Manufacturer, including a failure to comply with the relevant maintenance schedule (where applicable);
  - (ii) the Supplier cannot establish any Defect in the Goods after testing;
  - (iii) the Goods have been used other than for the purpose for which they were designed;
  - (iv) the Goods have been subject to abnormal conditions, including but not limited to temperature, pressure, stress, load or similar;
  - (v) the Client or installer have used or fitted non-genuine or non-approved parts and accessories to the Goods or have failed to use recommended parts and accessories;
  - (vi) the Good's defect has arisen due to abuse, misuse, neglect or accident;
  - (vii) the Goods have not been installed in accordance with the relevant instructions;
  - (viii) the Good's defect is caused by use or fair wear and tear of the Goods (or expendable parts).

## **8 RIGHTS AT LAW**

- 8.1 The benefits given to the Client under this warranty are in addition to other rights and remedies of the Client at law in relation to the Goods.
- 8.2 In Australia our Goods come with guarantees that cannot be excluded under the Australian Consumer Law. You are entitled to a replacement or refund for a major failure and for compensation for any other reasonably foreseeable loss or damage. You are also entitled to have the Goods repaired or replaced if the Goods fail to be of acceptable quality and the failure does not amount to a major failure.

# WARRANTY CLAIM FORM

Warranty Providers Name:

Coast RV Pty Ltd trading as Coast to Coast RV Services  
ABN 49 097 104 492 - ACN 101 461 330

Warranty Providers Address:

PO Box 415 Regents Park NSW 2143 Australia OR;  
PO Box 58-054 Botany AUCKLAND 2163 New Zealand

Client:

Contact No.

Description of Goods provided:

Receipt enclosed: *(tick box)*

Yes

No

Receipt No:

Description of defects (Give as much detail as possible. Use a separate page if required):

Date of purchase/services provided:

I hereby declare that the information provided above is true and correct and to the best of my knowledge and belief and I have complied with all the conditions of the warranty.

Signed:.....

Name: .....  
*(please print)*

Dated: .....

[Please note, the issue or completion of this form by the Client does not constitute an admission of liability by the Supplier]