



S Series

Universal Miniature
Pneumatic Cylinders

B

3MAJ/4MA

3MAJ/4MAJ

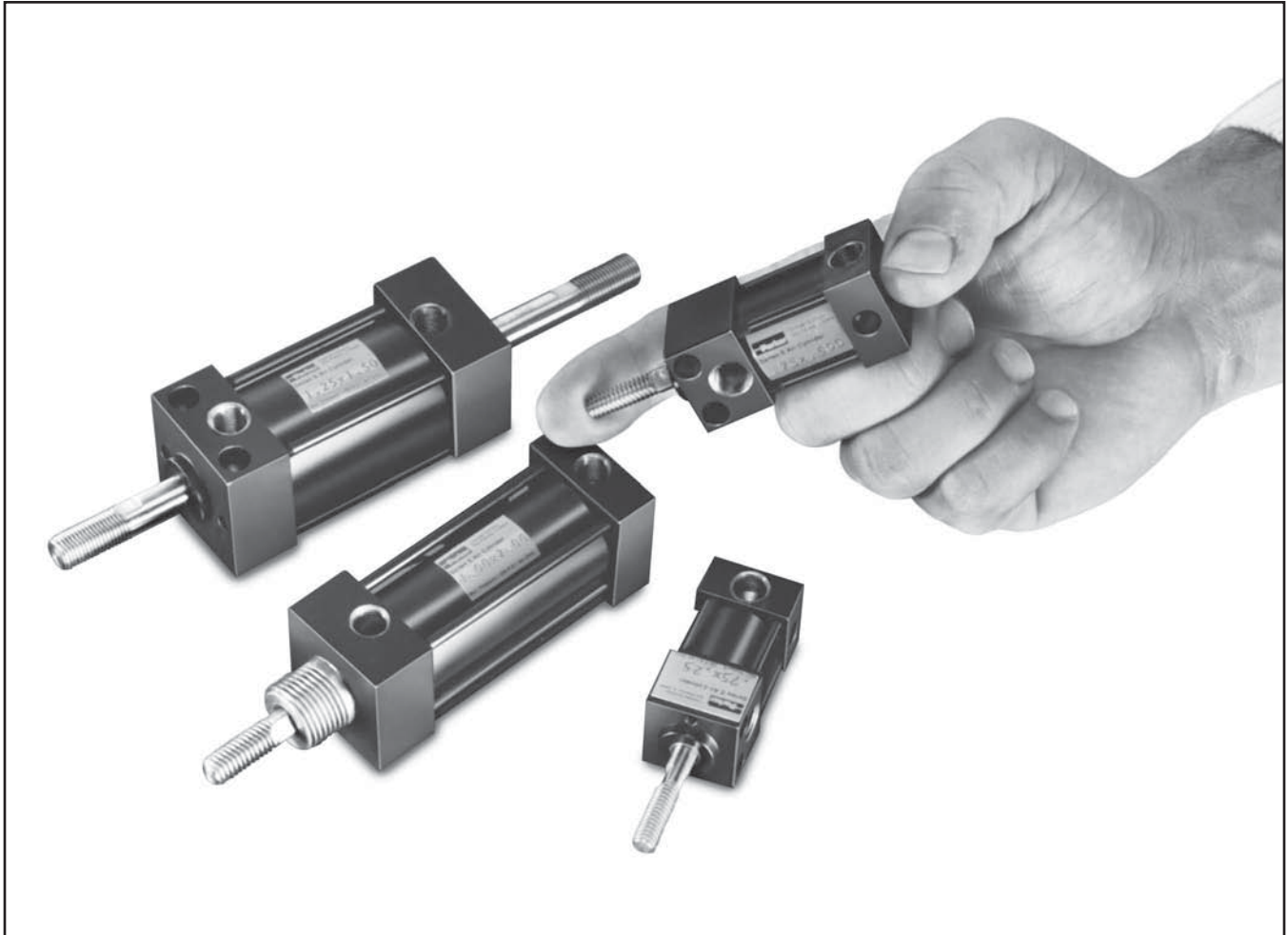
ACVB
Option

LPSO
Option

4MNR

S

C



Contents

Features	B144
Ordering Information.....	B145
Specifications / Mounting.....	B146
Dimensional Data	B147-B154
Mounting Kits / Accessories	B155
Service Kits	B156



Features

B

Square head and cap are made of precision machined steel for durable long lasting performance.

Your choice of mountings – basic cylinder can be mounted four different ways – (1) with mounting bolts through the top of the head and cap (position 1); (2) into tapped holes in the bottom of the head and cap (position 3); (3) into tapped holes in the front of the head; and (4) into tapped holes in the back of the cap.

Additional clevis and flange attachments provide a mounting to meet every requirement. Nose mounted models are standard.

The flush-type tie rod mount assembly provides a sound base for kit mounting.

Positive O-ring seals, with extra long bronze rod bearing, provide wear resistance and long life.

Mounting holes are counter bored from the top and tapped at the bottom on the head and cap for easy and accurate mounting.

The one piece steel piston is permanently brazed to the piston rod so it cannot work loose in service. A lipseal design is available. O-ring seal is standard.

The corrosion resistant body ensures excellent wear qualities and long life.

Factory prelubricated for millions of maintenance free cycles.

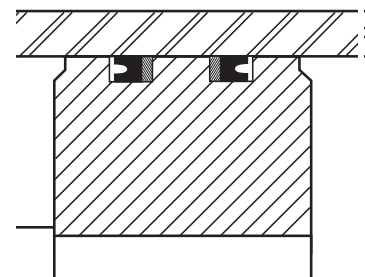
Stainless steel piston rod has a tough rust-proof construction for smooth operation and reliable performance.

Oil impregnated rod bushing is bronze, reamed to a close tolerance to ensure smooth operation and long life.

Availability

Double-acting Parker Universal Miniature Cylinders can be shipped from stock in 1/2", 1", 1-1/2", 2", 2-1/2" and 3" stroke lengths in all bore sizes. Universal Miniature Cylinders with other strokes up to 12" can be shipped within five days. Spring return cylinders are available from stock in 1" and 2" strokes in basic style USR (pressure to be applied at cap end). Other spring return models can be shipped within five days.

OPTIONAL FEATURE

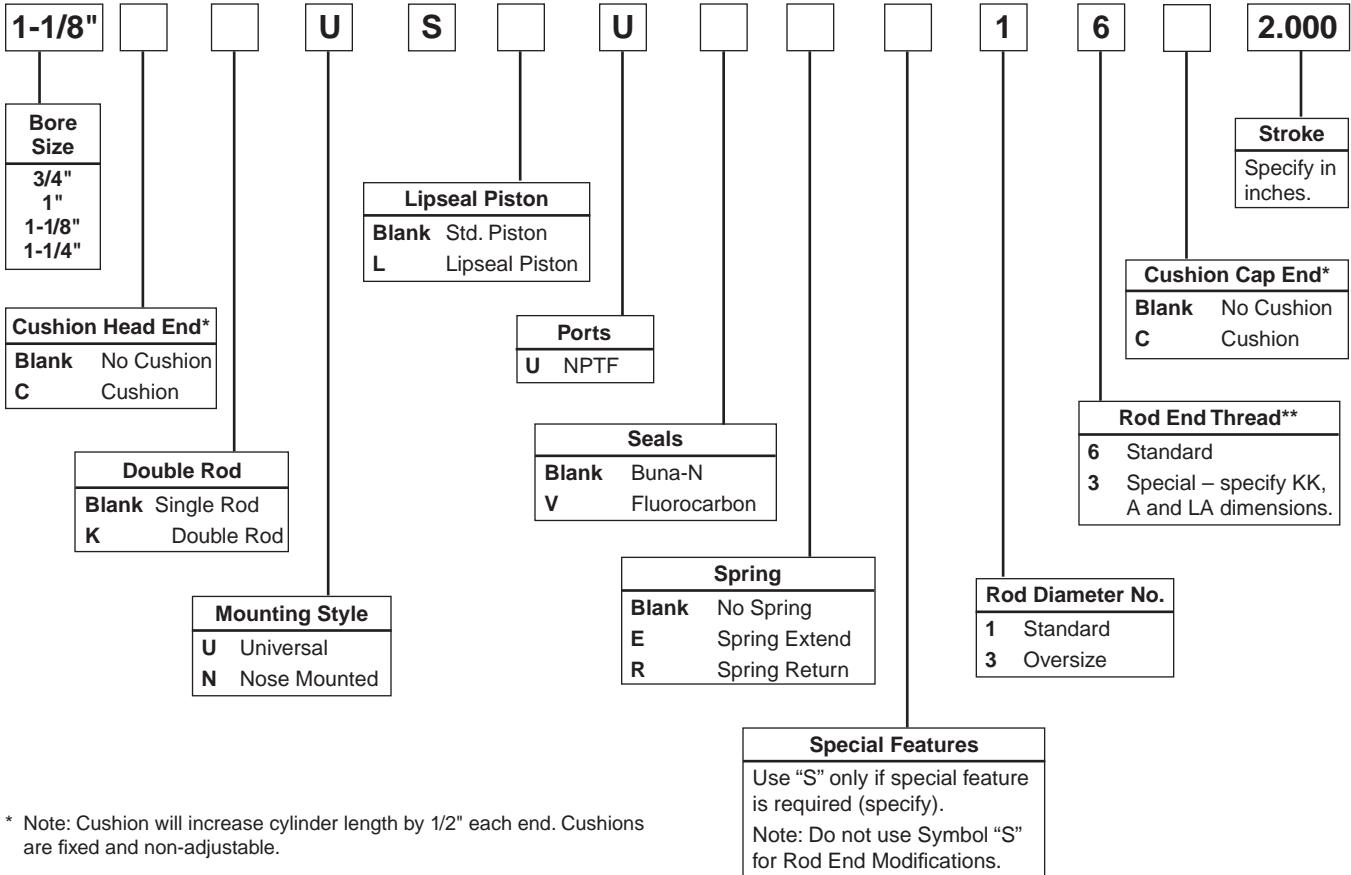


Lipseal® Pistons



How to Order S Series Cylinders

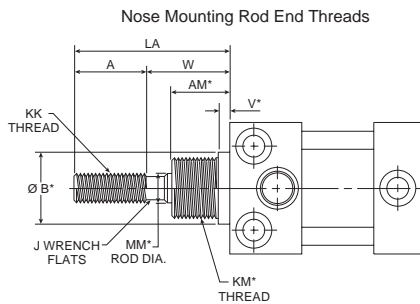
Each Parker S Series Cylinder is assigned a model number, which together with the bore size and stroke, is a coded description of the cylinder. The outline below shows all possible elements of such a model number, and explains the use of each. To order S Series Cylinders, specify Bore Size, Model Number and Stroke.



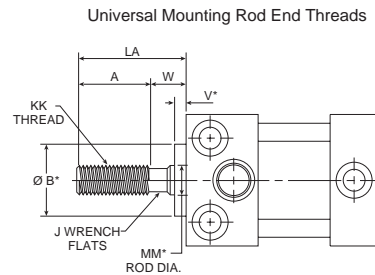
* Note: Cushion will increase cylinder length by 1/2" each end. Cushions are fixed and non-adjustable.

** On a double-end rod cylinder where the two rod ends will be different, be sure to state clearly which rod end is to go at which end of the cylinder.

NOTE: Mounting attachments and accessories must be ordered separately. See accessories page for part numbers.



* Requires an S designation in model number.



* Requires an S designation in model number.

B

3MAJ/4MA

3MAJ/4MAJ

ACVB Option

LPSO Option

4MNR

S

C

B

Standard Specifications

- Nominal pressure – up to 200 PSI air service.
- Standard temperature -10°F to +165°F.
- Fluorocarbon seals (optional) for high temperature service -10°F to +250°F
- Standard construction – square head steel design.
- Stainless steel piston rod is provided as standard for smooth performance and long life.
- Fixed cushions are available on all bore sizes.
- Four bore sizes available: 3/4", 1", 1-1/8", 1-1/4" bores.
- Standard and oversize piston rods
- Factory pre-lubed.
- Rod bushing is oil impregnated bronze.
- Spring return and extend cylinders available.
- Multiple mounting styles available – front or bottom.
- Attachable mounting kits are available.
- Field-repairable.
- Strokes – available in any practical stroke length up to 12". For longer stroke length, consult the factory.

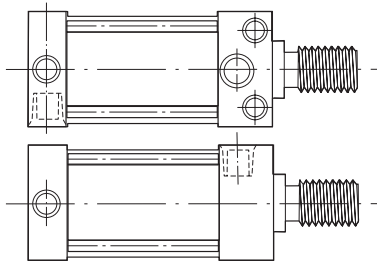
Force Data

To determine force, multiply your operating pressure by the area figures.

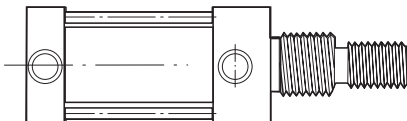
Bore	Rod Dia.	Major Area (Sq. In.)	Minor Area (Sq. In.)
3/4	STD. 1/4	0.442	0.393
	O.S. 5/16		0.365
1	STD. 5/16	0.785	0.709
	O.S. 3/8		0.675
1-1/8	STD. 3/8	0.994	0.884
	O.S. 1/2		0.799
1-1/4	STD. 3/8	1.227	1.117
	O.S. 1/2		1.031

Available Mounting Styles – Single Rod

Basic Style US
 (Universal Mounting)

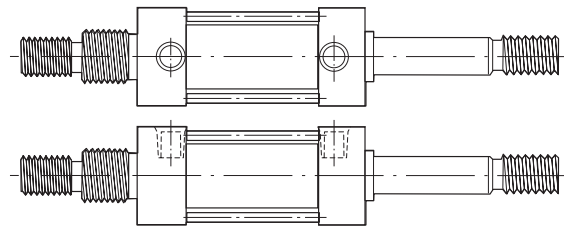


Basic Style NS
 (Nose Mounting)

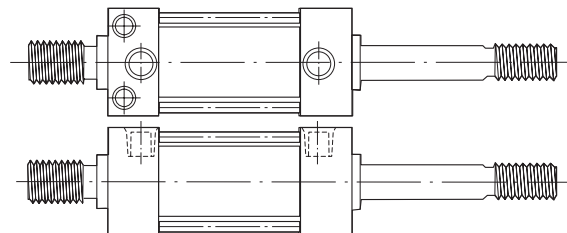


Available Mounting Styles – Double Rod

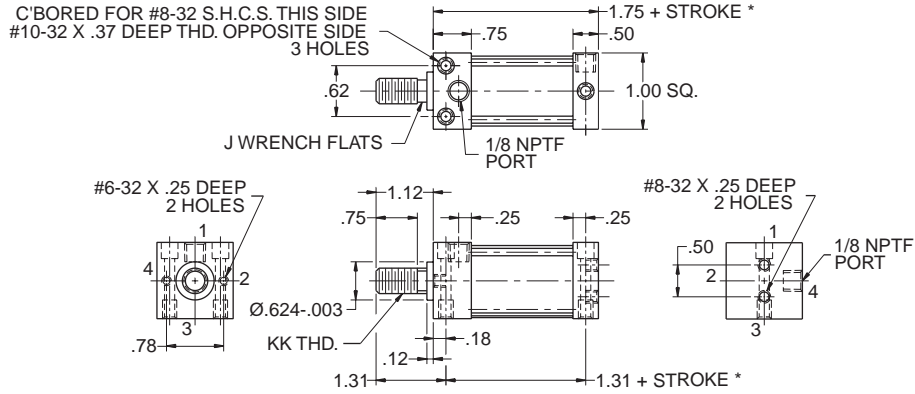
Style KNS Double Rod
 (Nose Mounting)



Style KUS Double Rod
 (Universal Mounting)

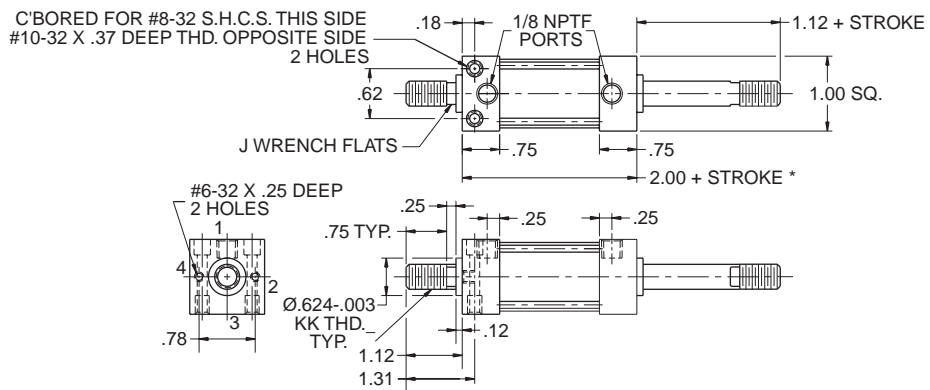


**Basic Style US
Universal Mounting**



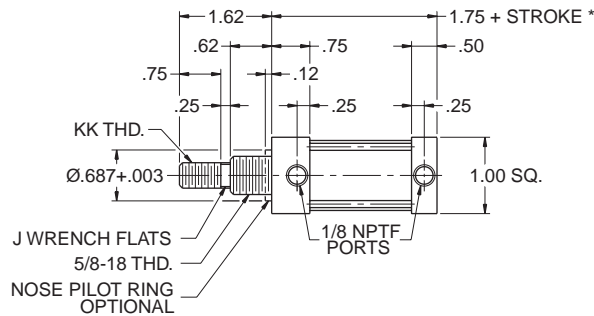
*For lipseal dimension add 1/2" to dimension shown.

**Mounting Style KUS
Double Rod
Universal Mounting**



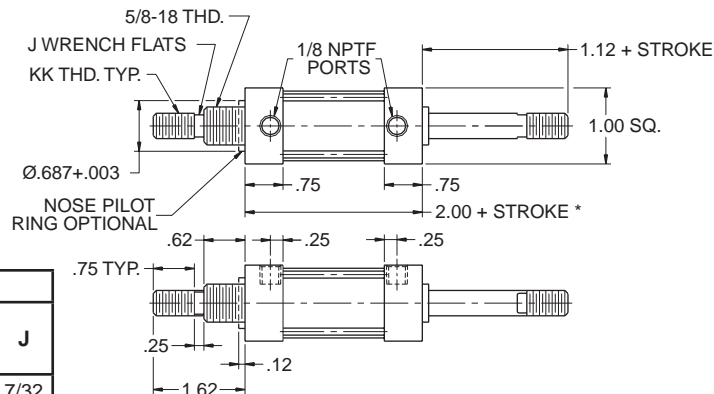
*For lipseal dimension add 1/2" to dimension shown.

**Basic Style NS
Nose Mounting**



*For lipseal dimension add 1/2" to dimension shown.

**Mounting Style KNS
Double Rod
Nose Mounting**



*For lipseal dimension add 1/2" to dimension shown.

Rod End Dimensions				
Bore	Rod		Thd. KK Style 6	J
	No.	Dia.		
3/4"	1-Std.	1/4	1/4-20	7/32
	3-O.S.	5/16	5/16-18	1/4



B

3MAJ/4MA

3MAJ/4MAJ

ACVB Option

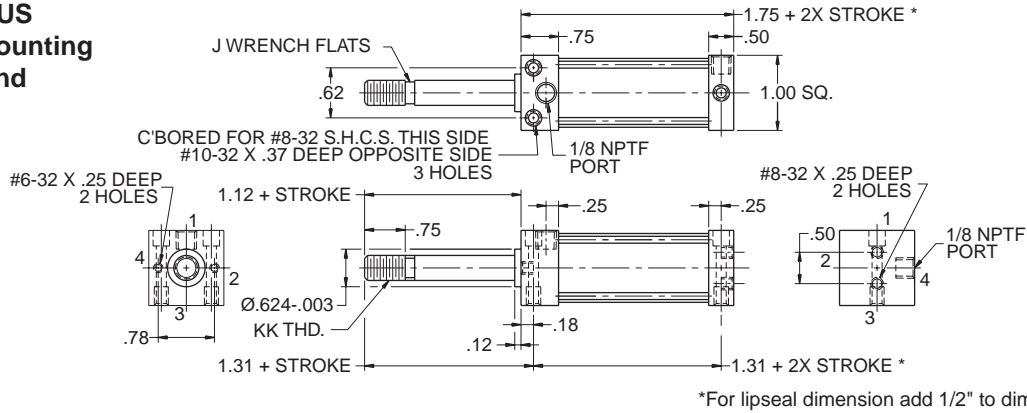
LPSO Option

4MNR

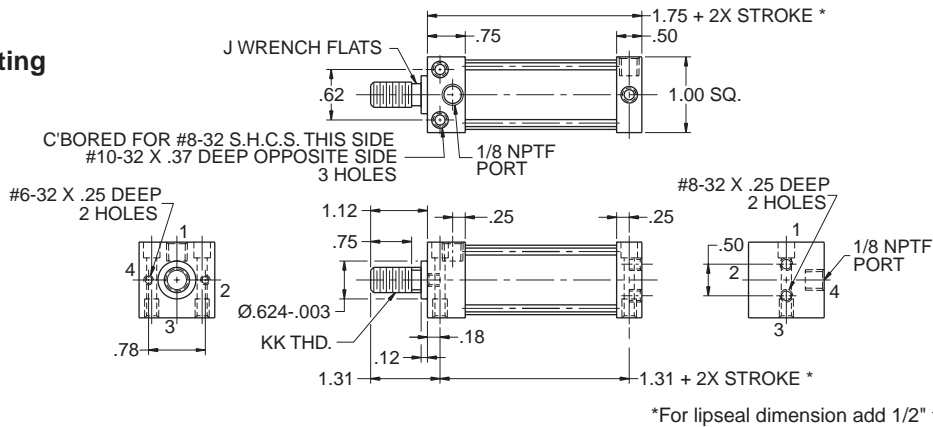
S

C

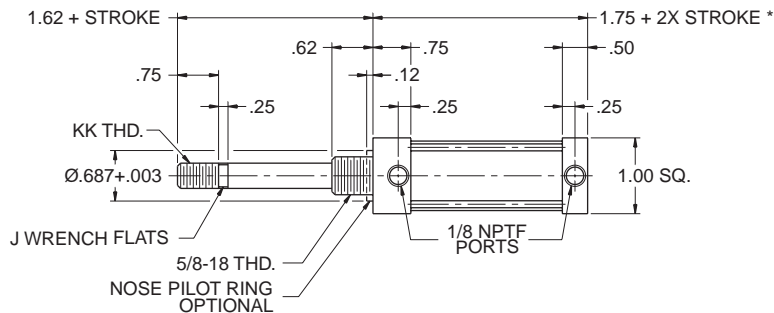
**Basic Style US
Universal Mounting
Spring Extend**



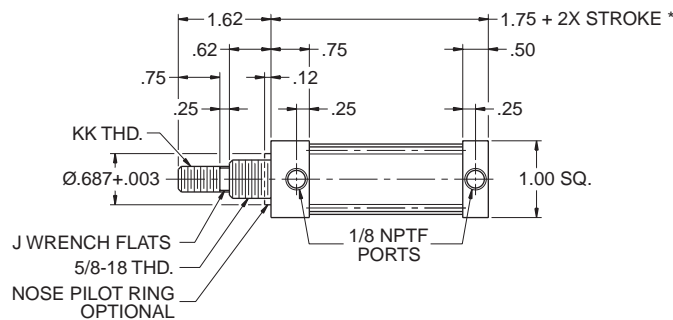
**Basic Style US
Universal Mounting
Spring Retract**



**Basic Style NS
Nose Mounting
Spring Extend**



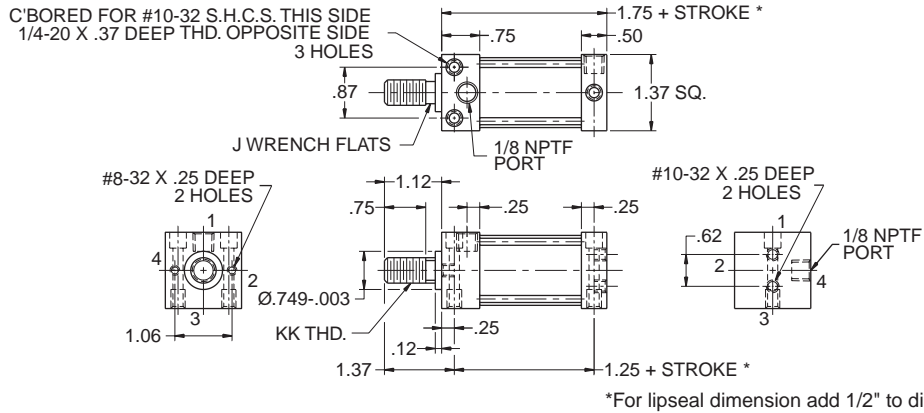
**Basic Style NS
Nose Mounting
Spring Retract**



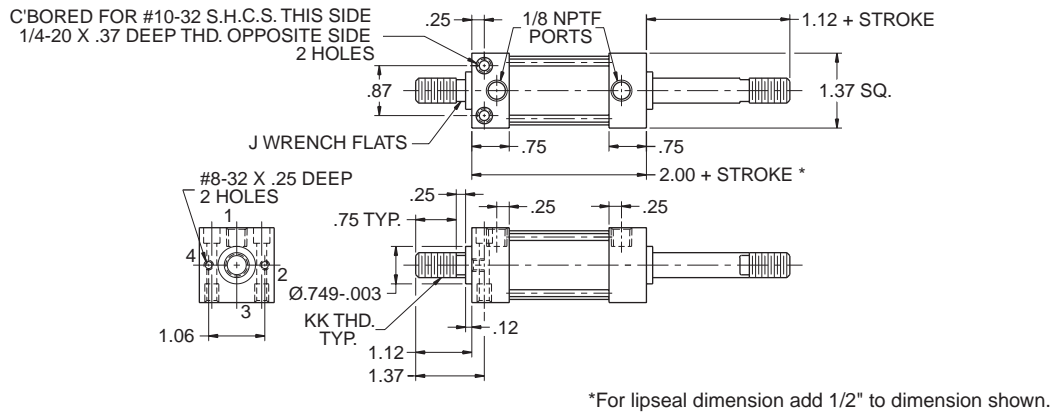
Rod End Dimensions				
Bore	Rod		Thd. KK Style 6	J
	No.	Dia.		
3/4"	1-Std.	1/4	1/4-20	7/32
	3-O.S.	5/16	5/16-18	1/4



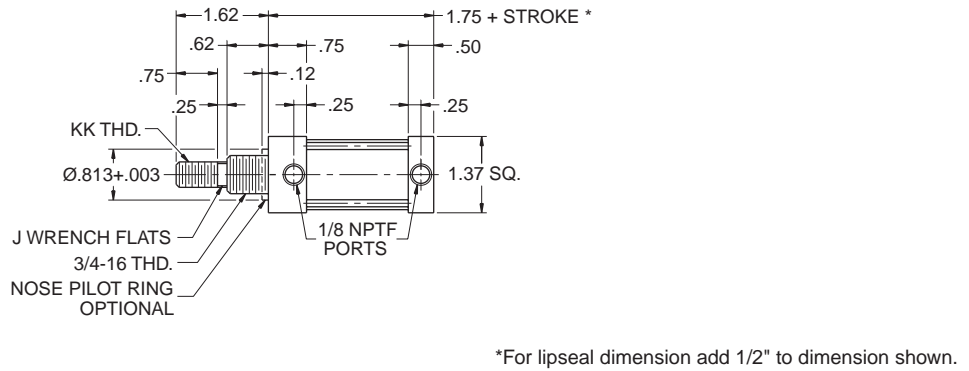
**Basic Style US
Universal Mounting**



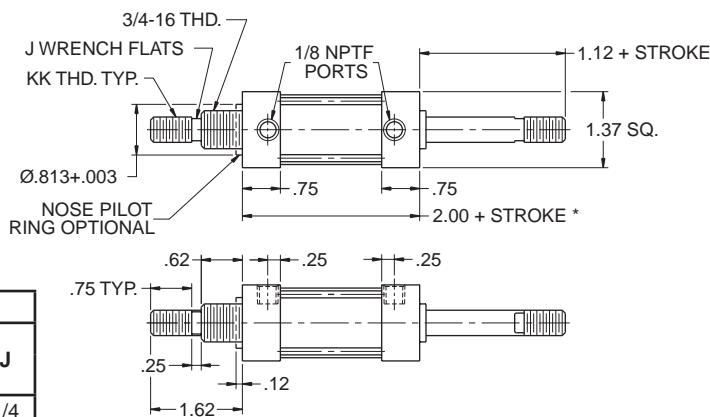
**Mounting Style KUS
Double Rod
Universal Mounting**



**Basic Style NS
Nose Mounting**



**Mounting Style KNS
Double Rod
Nose Mounting**



Rod End Dimensions				
Bore	Rod		Thd. KK Style 6	J
	No.	Dia.		
1"	1-Std.	5/16	5/16-18	1/4
	3-O.S.	3/8	3/8-24	5/16

*For lipseal dimension add 1/2" to dimension shown.



B

3MAJ/4MA

3MAJ/4MAJ

ACVB Option

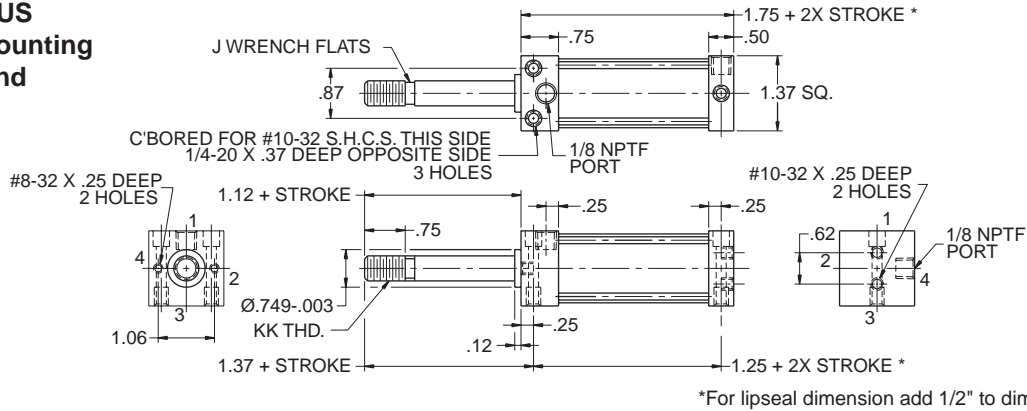
LPSO Option

4MNR

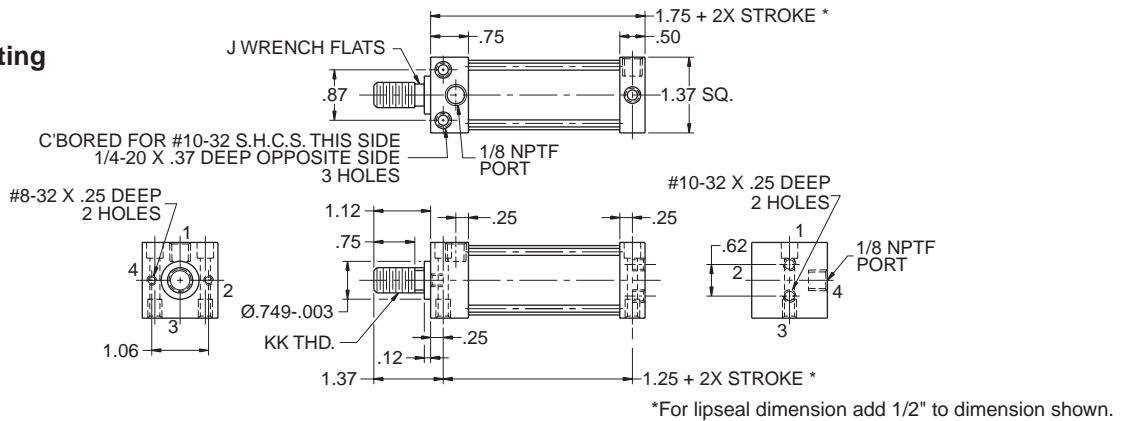
S

C

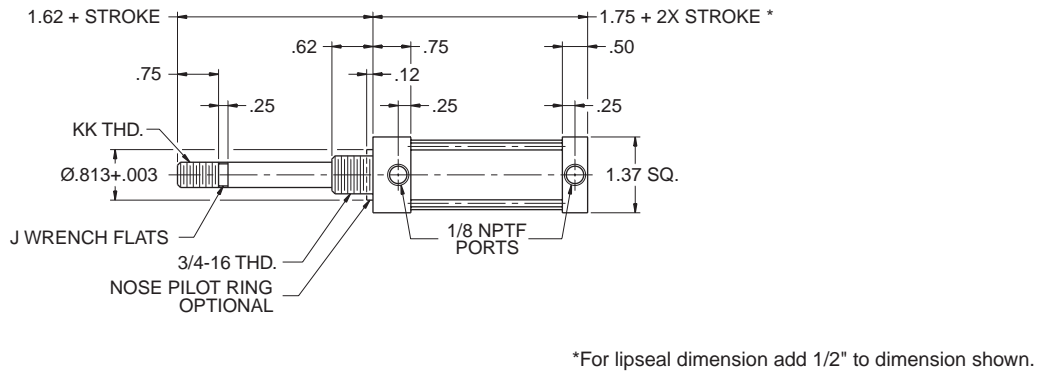
**Basic Style US
 Universal Mounting
 Spring Extend**



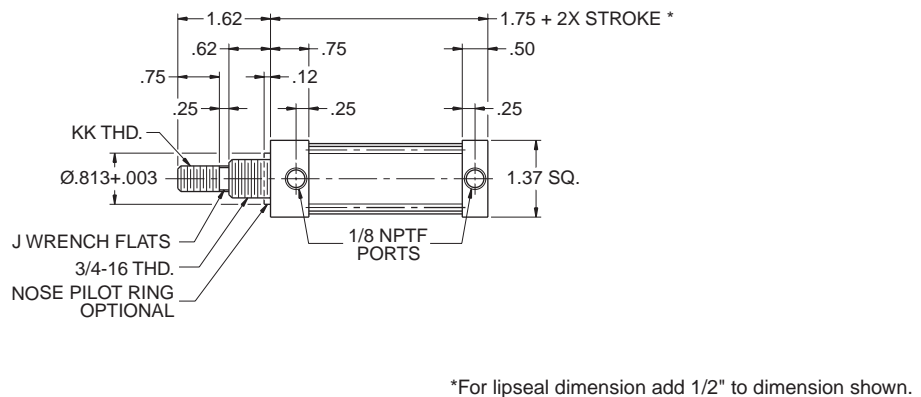
**Basic Style US
 Universal Mounting
 Spring Retract**



**Basic Style NS
 Nose Mounting
 Spring Extend**



**Basic Style NS
 Nose Mounting
 Spring Retract**



Rod End Dimensions				
Bore	Rod		Thd. KK Style 6	J
	No.	Dia.		
1"	1-Std.	5/16	5/16-18	1/4
	3-O.S.	3/8	3/8-24	5/16



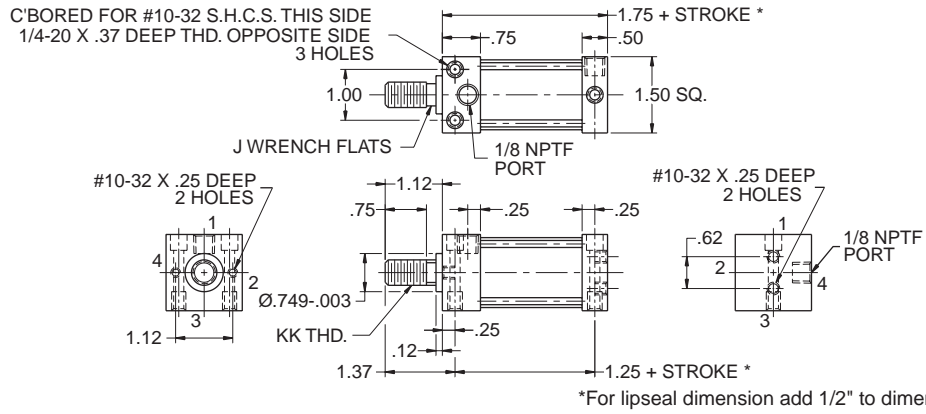
B150

800.696.6165

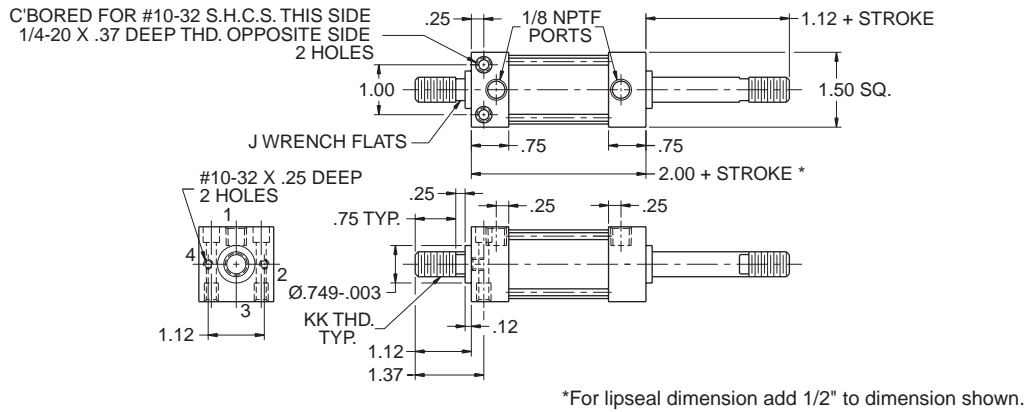
www.comoso.com

Parker Hannifin Corporation
 Pneumatic Division
 Wadsworth, Ohio
 www.parker.com/pneumatics

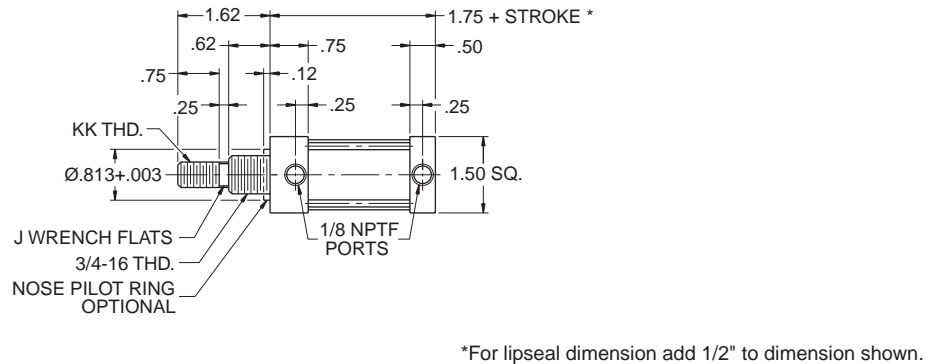
**Basic Style US
Universal Mounting**



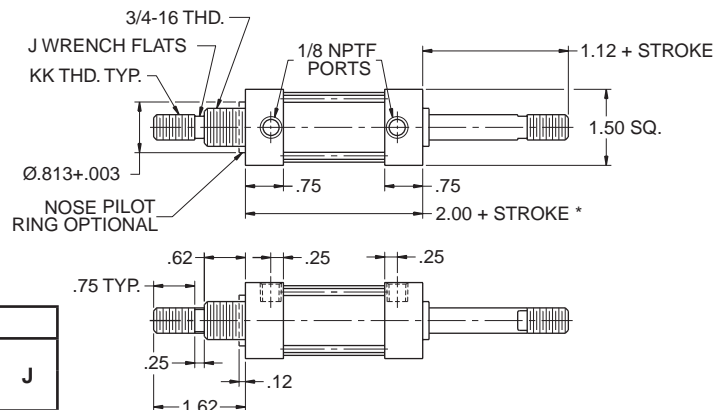
**Mounting Style KUS
Double Rod
Universal Mounting**



**Basic Style NS
Nose Mounting**



**Mounting Style KNS
Double Rod
Nose Mounting**

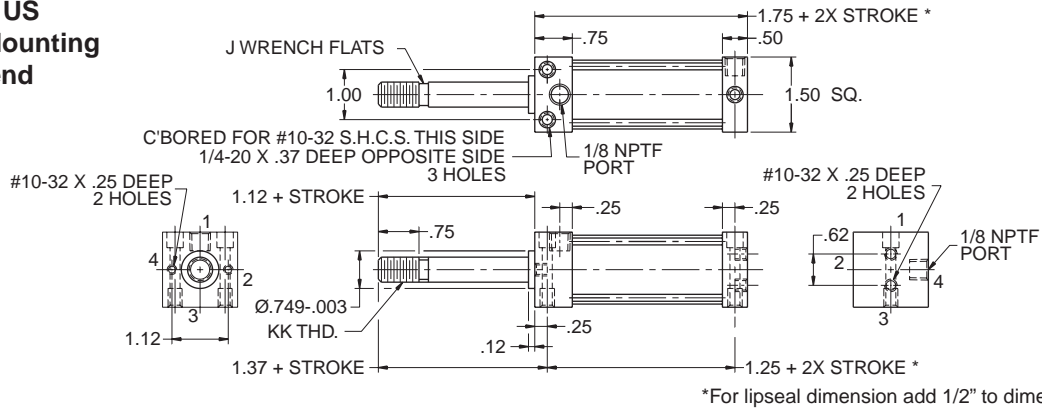


Rod End Dimensions				
Bore	Rod		Thd. KK Style 6	J
	No.	Dia.		
1-1/8"	1-Std.	3/8	3/8-24	5/16
	3-O.S.	1/2	1/2-20	7/16

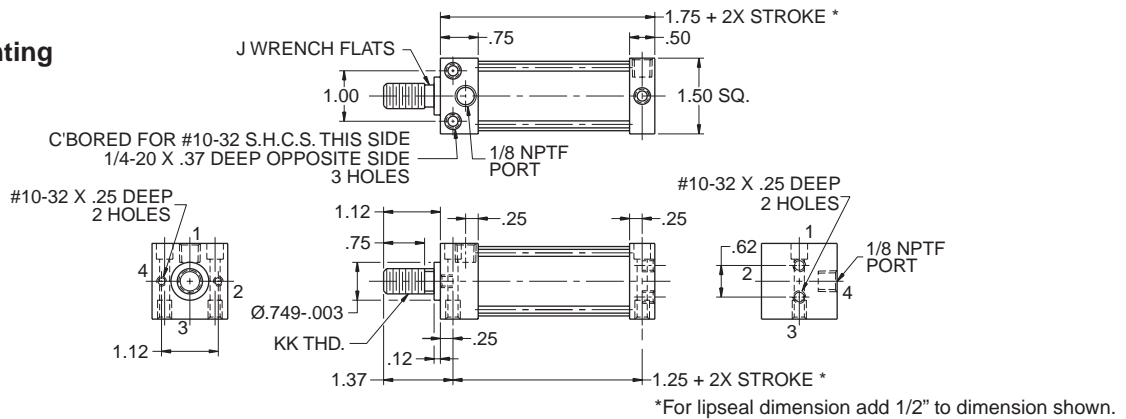
*For lipseal dimension add 1/2" to dimension shown.



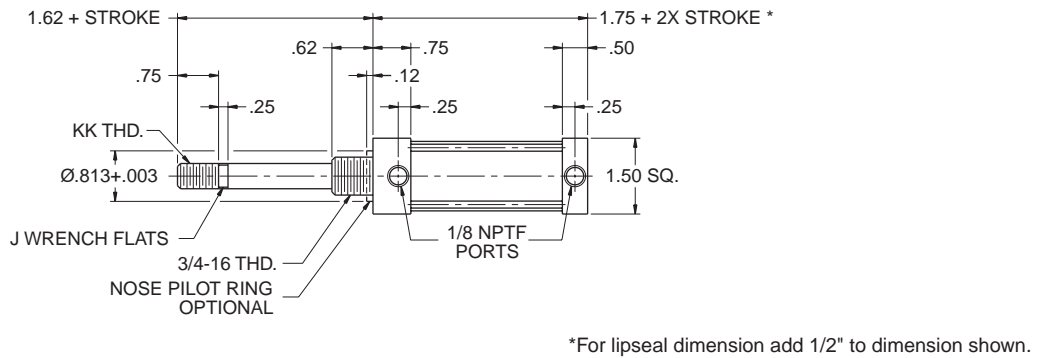
**Basic Style US
 Universal Mounting
 Spring Extend**



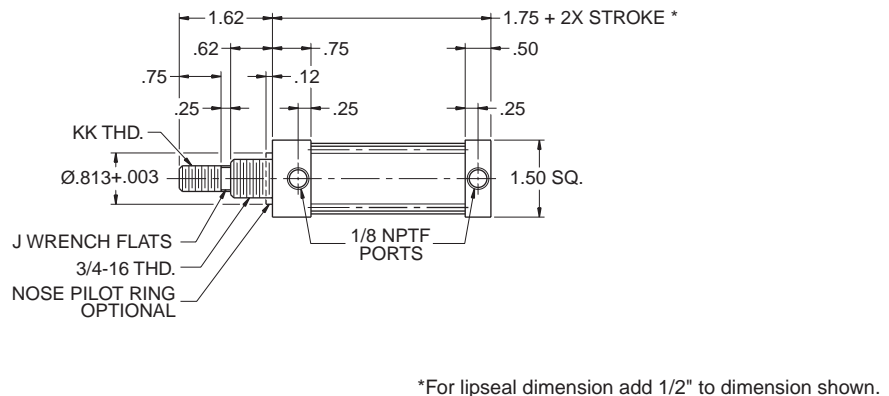
**Basic Style US
 Universal Mounting
 Spring Retract**



**Basic Style NS
 Nose Mounting
 Spring Extend**



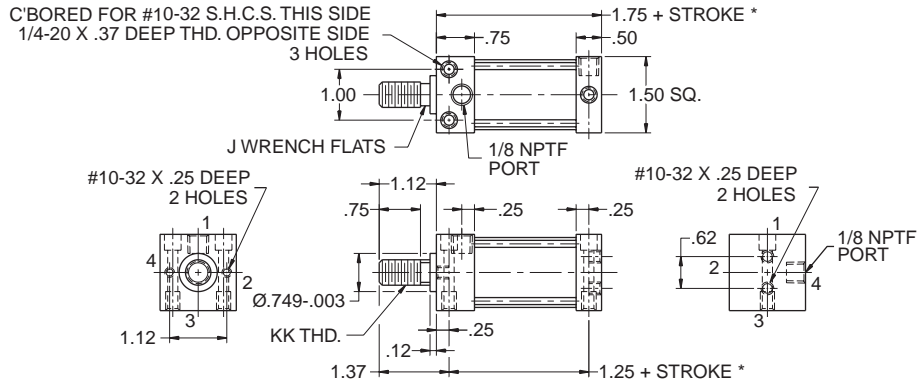
**Basic Style NS
 Nose Mounting
 Spring Retract**



Rod End Dimensions				
Bore	Rod		Thd. KK Style 6	J
	No.	Dia.		
1-1/8"	1-Std.	3/8	3/8-24	5/16
	3-O.S.	1/2	1/2-20	7/16

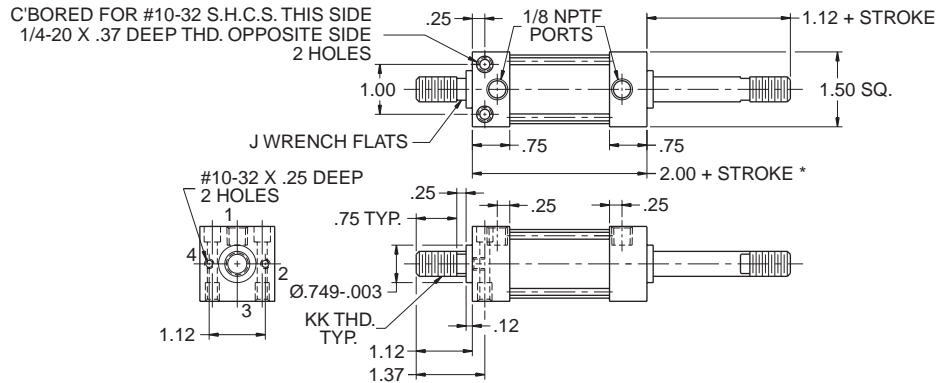


**Basic Style US
Universal Mounting**



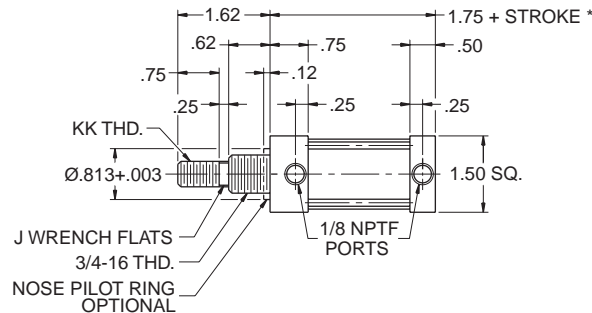
*For lipseal dimension add 1/2" to dimension shown.

**Mounting Style KUS
Double Rod
Universal Mounting**



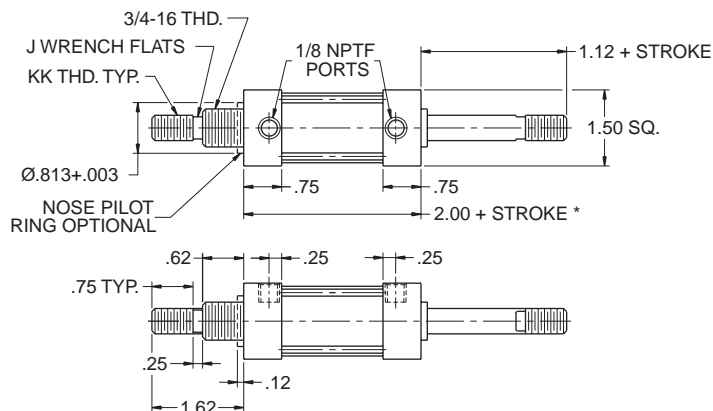
*For lipseal dimension add 1/2" to dimension shown.

**Basic Style NS
Nose Mounting**



*For lipseal dimension add 1/2" to dimension shown.

**Mounting Style KNS
Double Rod
Nose Mounting**



*For lipseal dimension add 1/2" to dimension shown.

Rod End Dimensions				
Bore	Rod		Thd. KK Style 6	J
	No.	Dia.		
1-1/4"	1-Std.	3/8	3/8-24	5/16
	3-O.S.	1/2	1/2-20	7/16

Note: Oversize rods shown are maximum size allowable.



B

3MAJ/4MA

3MAJ/4MAJ

ACVB
Option

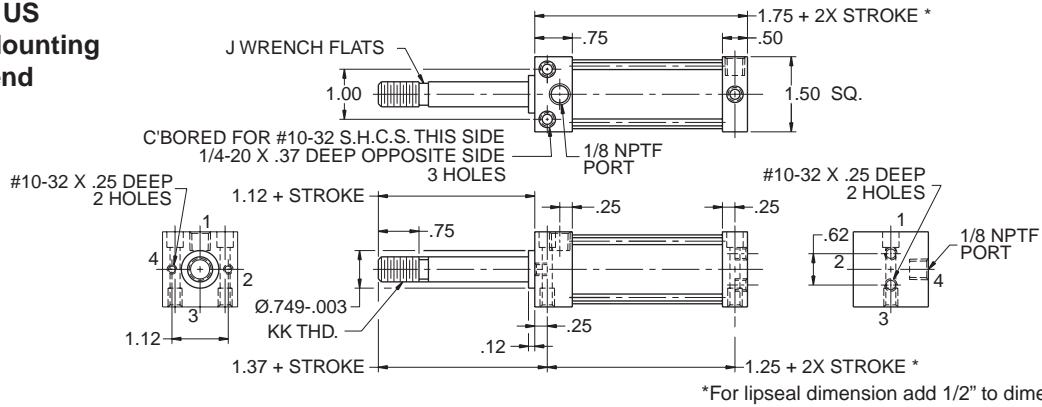
LPSO
Option

4MNR

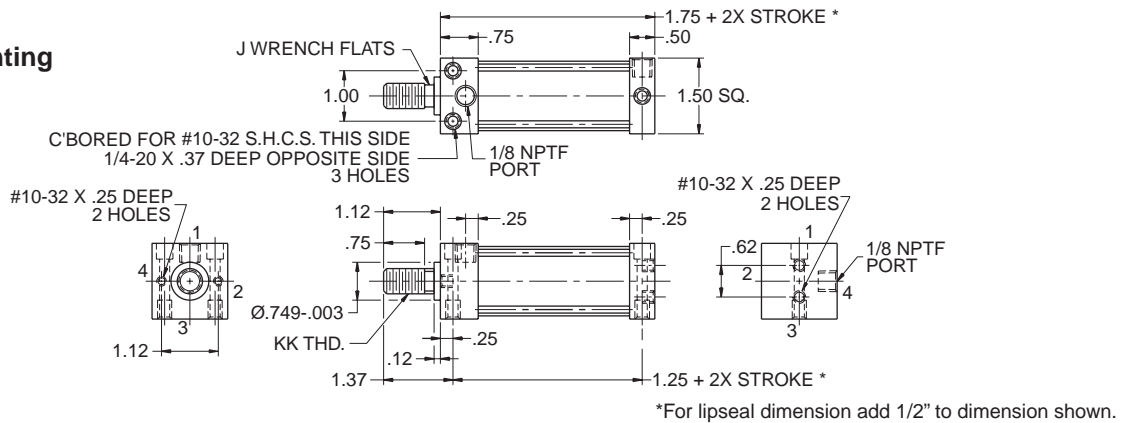
S

C

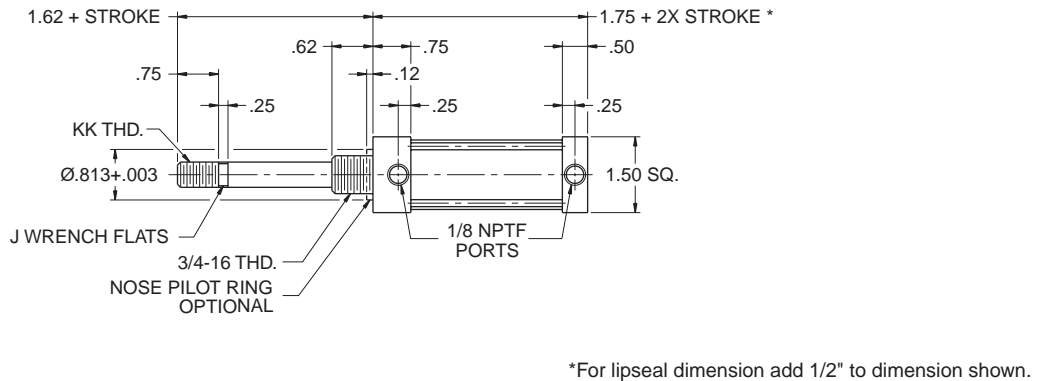
Basic Style US
Universal Mounting
Spring Extend



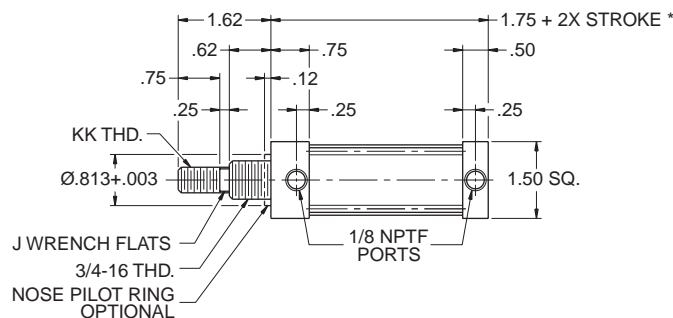
Basic Style US
Universal Mounting
Spring Retract



Basic Style NS
Nose Mounting
Spring Extend



Basic Style NS
Nose Mounting
Spring Retract



Rod End Dimensions				
Bore	Rod		Thd. KK Style 6	J
	No.	Dia.		
1-1/4"	1-Std.	3/8	3/8-24	5/16
	3-O.S.	1/2	1/2-20	7/16

Note: Oversize rods shown are maximum size allowable.

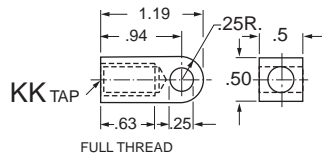
*For lipseal dimension add 1/2" to dimension shown.



Accessories

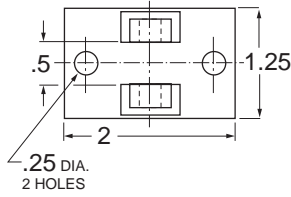
Rod Eye (Knuckle)

Rod Eyes (Rod End Knuckles) are available to fit standard S Series Rod Ends. To order, specify part name and number.

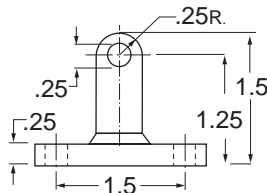


Clevis Bracket

Clevis Brackets to fit the Type B Clevis Mounting Attachment and also the Rod Eyes are available. Pivot pin is furnished with the bracket. To order, specify part name and number.



Note: Mounting attachments or accessories may be ordered separately for use with S Series cylinders. Specify by part name and number.



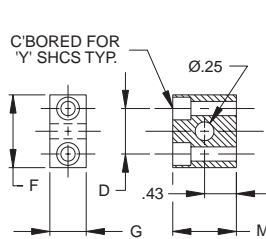
Bore	Rod No.	Rod Dia.	Part Numbers		
			Rod Eye	Clevis Bracket	Nose Ring
3/4	1-STD.	1/4	0179270000	0179300000	0179320000
	3-O.S.	5/16	0179280000		
1	1-STD.	5/16	0179280000	0179300000	0179330000
	3-O.S.	3/8	0179290000		
1-1/8	1-STD.	3/8	0179290000	0179300000	0179330000
	3-O.S.	1/2	—		
1-1/4	1-STD.	3/8	0179290000	0179300000	0179330000
	3-O.S.	1/2	—		

Bore	Rod No.	Rod Dia.	Part Numbers		
			B Clevis	H Flange	J Flange
3/4	1-STD.	1/4	0179180000	0179210000	0179240000
	3-O.S.	5/16			
1	1-STD.	5/16	0179190000	0179220000	0179250000
	3-O.S.	3/8			
1-1/8	1-STD.	3/8	0179190000	0179230000	0179260000
	3-O.S.	1/2			
1-1/4	1-STD.	3/8	0179190000	0179230000	0179260000
	3-O.S.	1/2			

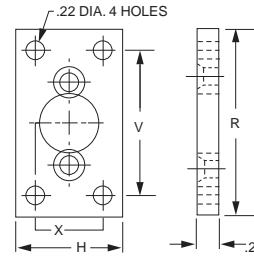
Mounting Kits

Dimensions

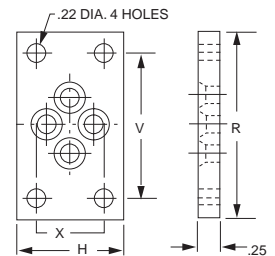
Symbol	Bore Size			
	3/4"	1"	1-1/8"	1-1/4"
D	0.50	0.62	0.62	0.62
F	0.81	1.00	1.00	1.00
G	0.37	0.50	0.50	0.50
H	1.00	1.38	1.50	1.50
M	0.75	0.87	0.87	0.87
R	2.00	2.37	2.50	2.50
V	1.50	1.87	2.00	2.00
X	0.50	0.87	1.00	1.00
Y	8-32	10-32	10-32	10-32



**Type B Clevis
 (Cap End)
 Mounting**



**Type J Flange
 (Head End)
 Mounting**



**Type H Flange
 (Cap End)
 Mounting**

NOTE: Mounting attachments, together with their mounting screws, are bagged and packed loose in the cylinder carton for assembly at time of cylinder installation. To order, specify part name and number.

Right Angle Flow Controls

Available mounted to the cylinder or packaged with your cylinder.

#1 – Brass with threaded NPT threads.

#2 – Presto-Lok with an internal grab ring for use on plastic or soft metal piping.

Model #	Thread	Tube Size
32510125	1/8 NPT	—
L073910012	1/8 NPT Includes Barbed Fitting	—
32511215	1/8 NPT	5/32
32511225	1/8 NPT	1/4



B
 3MAJ/4MA
 3MAJ/4MAJ
 ACVB
 Option
 LPSO
 Option
 4MNR
S
C

B

Bore Size	Rod Dia.	Rod No.	Seal Kits (Standard Seals)		"Cushion Kits (Standard Seals)"
			Contains: Piston seals, Rod seals & End seals for single rod cylinders.*		
			"O-Ring type Piston"	"Lipseal type Piston"	"Includes seals for one end only. Order 2 kits for cushioned both ends"
			Part No.	Part No.	
3/4"	1/4"	1	SK0075S025	SKL075S025	CK0075S025
	5/16"	3	SK0075S031	SKL075S031	CK0075S031
1"	5/16"	1	SK0100S031	SKL100S031	CK0100S031
	3/8"	3	SK0100S037	SKL100S037	CK0100S037
1 1/8"	3/8"	1	SK0112S037	SKL112S037	CK0112S037
	1/2"	3	SK0112S050	SKL112S050	CK0112S050
1 1/4"	3/8"	1	SK0125S037	SKL125S037	CK0125S037
	1/2"	3	SK0125S050	SKL125S050	CK0125S050

Bore Size	Rod Dia.	Rod No.	Seal Kits (Fluorocarbon Seals)		"Cushion Kits (Fluorocarbon Seals)"
			Contains: Piston seals, Rod seals & End seals for single rod cylinders.*		
			"O-Ring type Piston"	"Lipseal type Piston"	"Includes seals for one end only. Order 2 kits for cushioned both ends"
			Part No.	Part No.	
3/4"	1/4"	1	SK0075SV25	SKL075SV25	CK0075SV25
	5/16"	3	SK0075SV31	SKL075SV31	CK0075SV31
1"	5/16"	1	SK0100SV31	SKL100SV31	CK0100SV31
	3/8"	3	SK0100SV37	SKL100SV37	CK0100SV37
1 1/8"	3/8"	1	SK0112SV37	SKL112SV37	CK0112SV37
	1/2"	3	SK0112SV50	SKL112SV50	CK0112SV50
1 1/4"	3/8"	1	SK0125SV37	SKL125SV37	CK0125SV37
	1/2"	3	SK0125SV50	SKL125SV50	CK0125SV50

* For double rod cylinder seal kits, consult factory.

** Order 2 kits for cushioned ends.