

AUDI AG
Auto-Union-Strasse 1
85045 Ingolstadt
www.audi.com
Date published: October 2019

Printed in Germany
933/11N0.32.13

The vehicles and equipment versions illustrated and described in this brochure and some of the services listed are not available in all countries. Some of the cars illustrated are equipped with optional features for which an extra charge is made. Details concerning the delivery specifications, appearance, performance, dimensions and weights, fuel consumption and running costs of the vehicles were correct to the best of our knowledge at the time of going to press. Deviations from the colours and shapes shown in the illustrations may occur. No liability is accepted for errors and printing errors. The right to introduce modifications is reserved. Not to be reproduced, including in part, without the written approval of AUDI AG.

This brochure is printed on paper made from pulp bleached without the use of chlorine.



A3 Sportback | A3 Saloon | A3 Cabriolet | S3 Sportback | S3 Saloon | S3 Cabriolet

A3 | S3



There is only one direction. Ahead.

What would it be like if technology could be operated intuitively? If purist design were to encounter innovative functionality? If sportiness and progress were to become one? The answer is right here, in the shape of the Audi A3. Experience our lead in vehicles that are further ahead.

191674_313_A3_HK_933.11N0.32.13
A3_MJW_933.11x0.32.xx_US - Falzbogen 0 01: A3



Further ahead. Audi A3. Sportback > 06

Saloon > 16

Cabriolet > 24

Highlights > 30

A faster thrill. Audi S3. Sportback > 48

Saloon | Cabriolet > 58

A3 Sportback 30 g-tron > 74

A3 Sportback 40 e-tron > 76

Equipment highlights > 78

Equipment and accessories > 82

Technical data > 104

Some of the equipment illustrated or described is optional equipment for which an extra charge is made. Please contact your Audi partner or visit www.audi.com for detailed information about standard and optional equipment.

Audi A3



The Audi A3.
Further ahead.





Some of the equipment illustrated or described is optional equipment for which an extra charge is made. Please contact your Audi partner or visit www.audi.com for detailed information about standard and optional equipment.

Audi A3

The Audi



A3 Sportback

**Further ahead can be measured
in kilometres. Or in ideas.**



Some of the equipment illustrated or described is optional equipment for which an extra charge is made.
Please contact your Audi partner or visit www.audi.com for detailed information about standard and optional equipment.

Audi A3



The basic idea: functionality made beautiful.

Progressive design that speaks a unique language. Innovative technologies that emphasise dynamism and efficiency.

And an interior that impressively combines aesthetics with intuitive functionality. Our lead can be discovered in many facets. In the Audi A3 Sportback.

Experience how good ideas move you forward. Further ahead.



Some of the equipment illustrated or described is optional equipment for which an extra charge is made. Please contact your Audi partner or visit www.audi.com for detailed information about standard and optional equipment.

Striking and muscular.

The slim side of the Audi A3 Sportback is defined by the striking tornado line along the edge of the window and the dynamic line above the sills. Taut, sculptural areas where light meets shadow give the vehicle a compact and muscular look.



Some of the equipment illustrated or described is optional equipment for which an extra charge is made. Please contact your Audi partner or visit www.audi.com for detailed information about standard and optional equipment.



Audi A3



The dynamic roof contour of the Audi A3 Sportback is designed to emphasise the car's sporty character. Despite its lightness, the vehicle's powerful rear gives it a confident stance. The combination of a longer wheelbase and short overhangs makes the Audi A3 Sportback look longer and conveys a sense of elegant sportiness.



Some of the equipment illustrated or described is optional equipment for which an extra charge is made. Please contact your Audi partner or visit www.audi.com for detailed information about standard and optional equipment.

Audi A3



One touch faster.

Quicker gear changes made simple. Thanks to the optional S tronic 7-speed dual-clutch transmission with virtually no break in propulsive power, available for many models. And on request, even more individual driving dynamics thanks to Audi drive select and Audi magnetic ride.



Some of the equipment illustrated or described is optional equipment for which an extra charge is made. Please contact your Audi partner or visit www.audi.com for detailed information about standard and optional equipment.

Audi A3

The Audi



A3 Saloon

**You can either follow a new line.
Or define it.**



Some of the equipment illustrated or described is optional equipment for which an extra charge is made.
Please contact your Audi partner or visit www.audi.com for detailed information about standard and optional equipment.

Audi A3



Saloon redefined.

Dynamic contours. Taut muscular areas. Coupé-like lightness. The Audi A3 Saloon casts a progressive light on the term saloon. Sporty through and through. Elegant and confident. Ready to rediscover the world.



Some of the equipment illustrated or described is optional equipment for which an extra charge is made. Please contact your Audi partner or visit www.audi.com for detailed information about standard and optional equipment.

Audi A3

A new perspective: compact saloon with coupé character. Wide and low. Precise lines, emphasis on three-dimensional design. The low, flowing line of the roof dome conveys pure dynamism. Strongly accentuated wings with shaped wheel arches frame the optional up to 19-inch cast aluminium wheels.



Some of the equipment illustrated or described is optional equipment for which an extra charge is made. Please contact your Audi partner or visit www.audi.com for detailed information about standard and optional equipment.



Audi A3

Power exuded by the Audi Singleframe with double struts. Aerodynamic air inlets. Optional LED headlights or Matrix LED headlights with dynamic indicator. Perfectly integrated into the three-dimensional body line. Add to that a striking trailing edge and elegantly rising rear lights.

The Audi A3 saloon: progressive sportiness.



Some of the equipment illustrated or described is optional equipment for which an extra charge is made. Please contact your Audi partner or visit www.audi.com for detailed information about standard and optional equipment.



Audi A3

Freedom can exist in a special moment.
Or simply in an idea of it.

The Audi

Some of the equipment illustrated or described is optional equipment for which an extra charge is made.
Please contact your Audi partner or visit www.audi.com for detailed information about standard and optional equipment.



A3 Cabriolet

Audi A3



Inspiring freedom.

Fascination at first sight. Deep lines. Dynamic proportions. Combined with elegant lightness. With fully automatic cloth hood as standard and acoustic hood on request. The Audi A3 Cabriolet. Sporty. Inspiring. Open for new ideas. And boundless freedom.



Some of the equipment illustrated or described is optional equipment for which an extra charge is made. Please contact your Audi partner or visit www.audi.com for detailed information about standard and optional equipment.



New perspectives. Infinitely thrilling. Opened up by the standard fully automatic cloth hood. Even while driving at speeds of up to 50 km/h. Particularly quiet with the optional high-quality acoustic hood. Or all about sound. With the optional Bang & Olufsen Premium Sound System with 13 loudspeakers and a total output of 625 watts.

Some of the equipment illustrated or described is optional equipment for which an extra charge is made. Please contact your Audi partner or visit www.audi.com for detailed information about standard and optional equipment.



Audi A3/S3

Technology can be improved.
Or taken to a new level.

The new

Some of the equipment illustrated or described is optional equipment for which an extra charge is made.
Please contact your Audi partner or visit www.audi.com for detailed information about standard and optional equipment.



highlights







More than a look ahead.

The future in sight. Every day. Clearly visible from the driver seat. With Audi virtual cockpit, the optional, fully digital instrument cluster. Taking function and design to a new level. A host of information the driver needs clearly in sight.

With Audi connect navigation & infotainment¹, high-resolution satellite maps from Google Earth™² or the current traffic situation with the online traffic information, for instance. Plus numerous view options on the high-resolution 12.3-inch display.

Razor-sharp, brilliant and rich in contrast.



¹Legal information and notes on use can be found on page 113. ²Google and the Google logo are registered trademarks of Google Inc. Some of the equipment illustrated or described is optional equipment for which an extra charge is made. Please contact your Audi partner or visit www.audi.com for detailed information about standard and optional equipment.



The familiar world of your smartphone in the MMI menu: with the optional Audi smartphone interface^{1,2}. Shown on the high-resolution MMI colour display. Reach your destination without any detours. Thanks to the enhanced MMI control concept and optional MMI navigation plus with MMI touch. Intuitive operation due to fewer buttons, fast destination entry without sub-menus. Touch-sensitive control panel with recognition of handwriting and touch gestures. Also for the services supported by Audi connect³.

The future becomes more complex.
And easier.

¹ Please contact your Audi partner for information on compatible mobile phones. ² Audi has no influence over the applications shown via the Audi smartphone interface. The respective service providers are responsible for the content and functions displayed within the applications.


³ Legal information and notes on use can be found on page 113.

Some of the equipment illustrated or described is optional equipment for which an extra charge is made.

Please contact your Audi partner or visit www.audi.com for detailed information about standard and optional equipment.





A photograph showing the interior of a car, focusing on the front passenger seat and the dashboard area. The car is parked on a wooden pier overlooking a large body of water, likely the ocean. The sky is clear and blue. The car's interior is dark, with leather seats and a dashboard with a horizontal design. The Audi logo is visible on the passenger seat.

Sophistication and innovative design are reflected in every detail. The horizontal architecture of the dashboard emphasises the size of the interior, 3D inlays¹ seem to embrace the driver. The optional inlays in matt brushed aluminium, design light and the air vents in jet design further accentuate the stylish interior.



¹ Standard in conjunction with A3 design.

Comfortable seats and a generous amount of space characterise the rear. The rear bench seat can be split-folded 40:60 – the optional seat bench can also be split-folded 40:20:40¹. With the rear seat bench folded down completely, you have up to 1,220 litres of luggage capacity² in the Audi A3 Sportback.

¹ Not available for A3 Cabriolet.

² Technical specifications refer to a basic vehicle without country-specific features and the selected optional equipment. Some of the equipment illustrated or described is optional equipment for which an extra charge is made. Please contact your Audi partner or visit www.audi.com for detailed information about standard and optional equipment.





Progressiveness in a new light.

Their crystal-clear shine ensures bright, homogeneous illumination of the road. Selective fading out of other vehicles. Cornering light function and automatic-dynamic headlight range control. Possible thanks to precise, individually controllable light-emitting diodes in the optional Matrix LED headlights. Dynamic indicator included.

Some of the equipment illustrated or described is optional equipment for which an extra charge is made. Please contact your Audi partner or visit www.audi.com for detailed information about standard and optional equipment.





The next step towards piloted driving.

More convenience and additional safety. The comprehensive, redeveloped driver assist systems^{1,2} will take care of that. Upon request in your Audi A3/S3. Take for instance cross traffic assist rear, which alerts the driver to a possible collision when exiting a parking space. In particularly dangerous situations, emergency assist can help to keep the vehicle in lane if the driver becomes unresponsive and to brake the vehicle to a complete stop if necessary. In conjunction with S tronic, adaptive cruise control with Stop&Go function keeps the vehicle at a constant distance from the vehicle in front. Traffic jam assist can also take over the steering function in certain situations at speeds up to around 65 km/h and makes driving easier in slow-moving traffic.



¹ Please note: The systems work only within system limits and assist the driver. However, the driver remains responsible for driving the vehicle and is required to be attentive at all times. ² Depending on country-specific availability. Some of the equipment illustrated or described is optional equipment for which an extra charge is made. Please contact your Audi partner or visit www.audi.com for detailed information about standard and optional equipment.

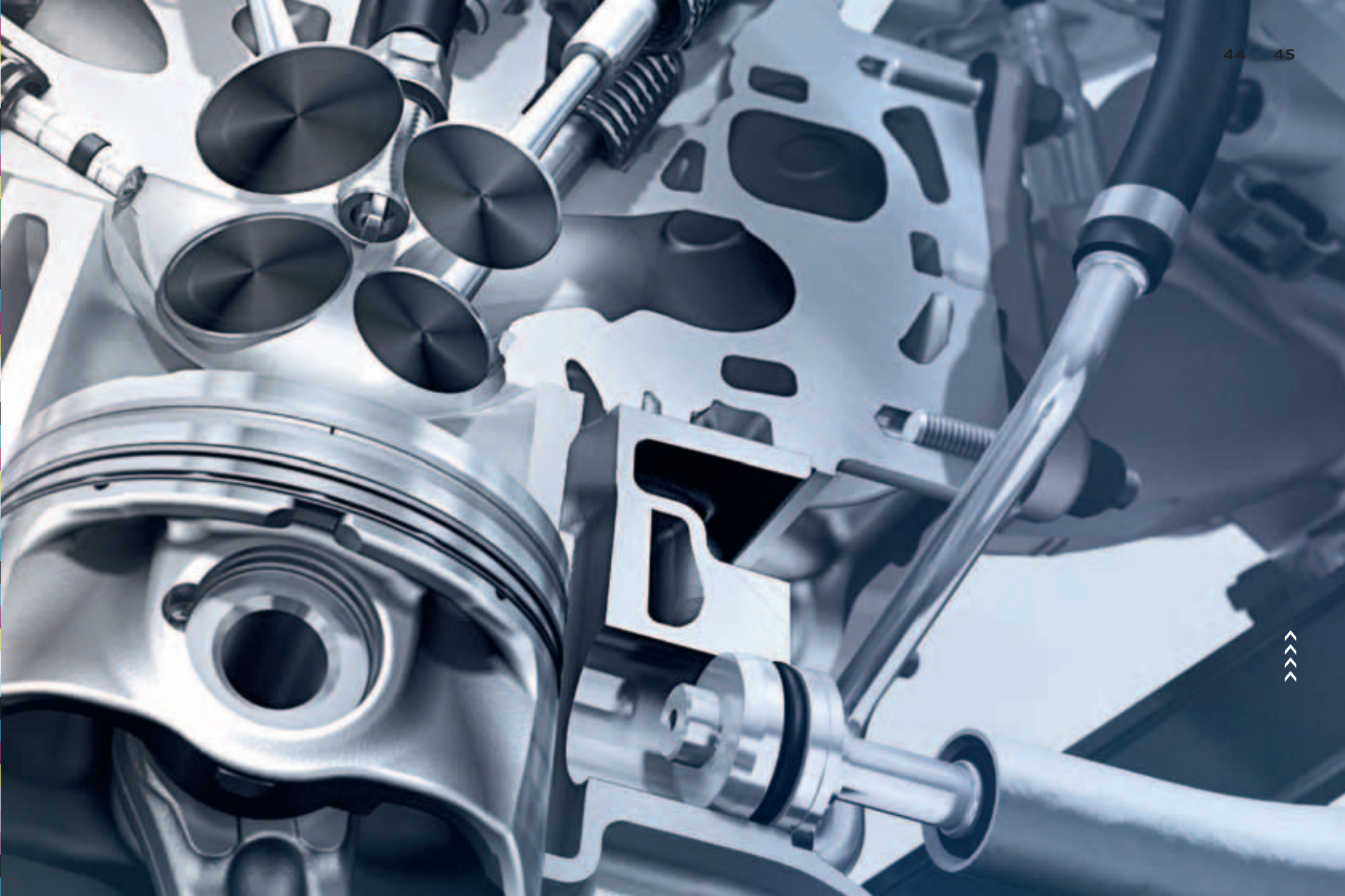




The heart of getting you ahead.

Whether it's the 1.0-litre 3-cylinder TFSI engine or the powerful 2.0-litre 4-cylinder TFSI engine: Audi's innovative engine technologies allow for an outstandingly agile yet highly efficient ride. The 2.0-litre 4-cylinder TFSI engine in the Audi A3 deploys its power with 140 kW. Ideal for a fuel-efficient, moderate driving style without having to compromise on sporty gear changes. In conjunction with the S tronic transmission, the 221 kW engine enables the Audi S3 Sportback and the Audi S3 Saloon to sprint from 0 to 100 km/h in 4.7 seconds. The combined CO₂ emissions start at 155 g/km. The 400 Nm of torque ensures instant power delivery.





Audi S3



The Audi S3. A faster thrill.



Some of the equipment illustrated or described is optional equipment for which an extra charge is made. Please contact your Audi partner or visit www.audi.com for detailed information about standard and optional equipment.

Audi S3

The Audi S3 Sportback



**Being in the lead can be your goal.
Or your starting point.**



Some of the equipment illustrated or described is optional equipment for which an extra charge is made.
Please contact your Audi partner or visit www.audi.com for detailed information about standard and optional equipment.

Ahead as standard.

More power, more sportiness, more driving enjoyment. Brought to the road by an exceptional vehicle: the Audi S3 Sportback.

Choose a starting point that will put you further ahead from the word go.



Some of the equipment illustrated or described is optional equipment for which an extra charge is made. Please contact your Audi partner or visit www.audi.com for detailed information about standard and optional equipment.



Audi S3



Pure sportiness.

Exterior mirrors in aluminium look. Audi Singleframe with S emblem and double chrome struts. On the Audi S3 Sportback, the details alone point to pure sportiness. The same goes for the side sills that impressively emphasise the shape and lines of the front and rear aprons.



Some of the equipment illustrated or described is optional equipment for which an extra charge is made. Please contact your Audi partner or visit www.audi.com for detailed information about standard and optional equipment.

Audi S3

Striking rear diffuser with an S-specific dual-branch exhaust system. Two oval tailpipe trims right and left accentuate the vehicle's impressive width. On request with fascinating 19-inch cast aluminium wheels. In addition, the distinctive roof edge spoiler makes the Audi S3 Sportback hug the road even more tightly.



Some of the equipment illustrated or described is optional equipment for which an extra charge is made. Please contact your Audi partner or visit www.audi.com for detailed information about standard and optional equipment.



Audi S3

A top athlete takes the lead.

The internally ventilated 17-inch brakes with their sensational black or even red painted brake callipers visually underline the dynamism of the Audi S3 Sportback. And of course, they ensure just as much safety when bringing you to a stop as sportiness when driving.



Some of the equipment illustrated or described is optional equipment for which an extra charge is made. Please contact your Audi partner or visit www.audi.com for detailed information about standard and optional equipment.



Audi S3



Dynamism can test

The Audi S3 Sal and the Audi S3

Some of the equipment illustrated or described is optional equipment for which an extra charge is made.
Please contact your Audi partner or visit www.audi.com for detailed information about standard and optional equipment.

the limits. Or open up new perspectives.

oon Cabriolet



Audi S3



The saloon with the S factor.

More powerful. More sporty. Fascinating at first sight. With a unique design. S-typical. Rear diffuser and dual-branch exhaust system.

Oval exhaust tailpipes. An appearance that raises expectations. And satisfies them. Inspirational. The Audi S3 Saloon.



Some of the equipment illustrated or described is optional equipment for which an extra charge is made. Please contact your Audi partner or visit www.audi.com for detailed information about standard and optional equipment.

Audi S3



The Audi S3 Saloon knows only one direction.
Ahead. Ahead in remarkably sporty style.

Some of the equipment illustrated or described is optional equipment for which an extra charge is made.
Please contact your Audi partner or visit www.audi.com for detailed information about standard and optional equipment.



S for stability.


The quattro drive confidently distributes power to all four wheels, and promises excellent directional stability and improved traction. In addition, thanks to Audi drive select you can adjust the character of your vehicle to match your own driving style. Aided by the optional Audi magnetic ride – enhanced dynamics or a sporty yet comfortable ride.



Some of the equipment illustrated or described is optional equipment for which an extra charge is made. Please contact your Audi partner or visit www.audi.com for detailed information about standard and optional equipment.








Superb sporty atmosphere. Discernible on the optional S front sport seats. Surrounded by characteristic S features. On request with a multifunction sport leather steering wheel, flattened at the bottom and inlays in matt brushed aluminium, design light. Pedals in brushed stainless steel. Sporty can be this exclusive. And vice versa.

Some of the equipment illustrated or described is optional equipment for which an extra charge is made. Please contact your Audi partner or visit www.audi.com for detailed information about standard and optional equipment.



Audi S3





Dynamism that can be felt. And seen. One example is the Audi Singleframe with S-specific chrome-plated double struts. Another the optional up to 19-inch cast aluminium wheels. S-characteristic. Worthy of performance.

Some of the equipment illustrated or described is optional equipment for which an extra charge is made. Please contact your Audi partner or visit www.audi.com for detailed information about standard and optional equipment.



Audi S3



Freedom intensified.

Magnificent view. With an expanded panorama in 17 seconds. Thanks to the standard fully automatic cloth hood. Even while driving. At speeds up to 50 km/h. Enjoy life with the Audi S3 Cabriolet.

Unrestrained. Intensive. In top form.



Some of the equipment illustrated or described is optional equipment for which an extra charge is made. Please contact your Audi partner or visit www.audi.com for detailed information about standard and optional equipment.

Audi S3



**Desire freedom
with 221 kW.**



Some of the equipment illustrated or described is optional equipment for which an extra charge is made.
Please contact your Audi partner or visit www.audi.com for detailed information about standard and optional equipment.

Audi A3 > g-tron



The Audi A3 Sportback 30 g-tron

Innovations let you
change everyday life. Or the world.

Innovative TFSI technology with TCNG modification. Thanks to a third gas tank, the Audi A3 Sportback 30 g-tron can be powered almost as a monovalent vehicle, in other words virtually solely with gas. A 9-litre petrol tank is available to serve as a mobility reserve. In pure CNG mode, the Audi A3 Sportback 30 g-tron has a range of up to approximately 410 km¹. If the supply of gas starts running low, the vehicle automatically switches to reserve mode with petrol.



Some of the equipment illustrated or described is optional equipment for which an extra charge is made. Please contact your Audi partner or visit www.audi.com for detailed information about standard and optional equipment. ¹The given range can vary depending on the usage of additional consumers, air conditioning, outside temperature, road speed, payload/additional equipment, wheel/tyre size, topography, driving style, traffic situation.

The Audi A3 Sportback 40 e-tron

Changes the world. Not everyday life.

Some of the equipment illustrated or described is optional equipment for which an extra charge is made.
Please contact your Audi partner or visit www.audi.com for detailed information about standard and optional equipment.

The advantages of both worlds summed up perfectly: the Audi A3 Sportback 40 e-tron combines the advantages of an electric drive with the strengths of a combustion engine. Resulting in sporty performance coupled with impressive efficiency.

In figures: 222 km/h top speed, from 0 to 100 km/h in 7.6 seconds and up to 49 kilometres in all-electric mode.

Plus convenient charging in up to 2.5 hours with a maximum charging capacity of 3.7 kW¹.



¹The charging capacity depends on the type of mains connector used, the country's voltage and the number of available phases of the power network as well as the customer's own domestic installation. It may therefore be lower in some cases.

More versatile. A quick look at your options.

The Audi A3 – an exceptional vehicle whose diverse range of high-quality equipment will impress you. As will many other optional highlights – let yourself be inspired.

O1 _ Bang & Olufsen Premium Sound System

O2 _ Audi exclusive customised paint finish¹ in solar orange and Audi exclusive titanium black styling package¹

O3 _ Acoustic hood in black, grey or garnet red

O4 _ Assist package with the following assist systems: adaptive cruise control (Stop&Go function with S tronic), Audi active lane assist, traffic jam assist and emergency assist (S tronic only), Audi pre sense front, traffic sign recognition, high-beam assist and parking system plus

O5 _ Audi phone box² with wireless charging (Qi standard)³



Some of the equipment illustrated or described is optional equipment for which an extra charge is made. Please contact your Audi partner or visit www.audi.com for detailed information about standard and optional equipment. ¹From Audi Sport GmbH. ²Please contact your Audi partner or visit www.audi.com/bluetooth for information on compatible mobile phones. ³For information on availability in different countries, please contact your Audi partner.



^^
^^
^^ 03



^^
^^
^^ 04



^^
^^
^^ 05



^^
^^
^^ 01 | 02 | 03 | 04 | 05

- O1 _ Lighting package
- O2 _ Deluxe automatic air conditioning
- O3 _ Sport contour leather steering wheel in 3-spoke design with multifunction plus, flattened at the bottom
- O4 _ Gear lever knob in leather
- O5 _ Illuminated door sill trims and inlays
- O6 _ Rear seat backrest, folding
- O7 _ S sport seat, front, in fine Nappa leather, black with contrasting stitching in rock grey with rhombus pattern

^^
^^
^^ 07

^^
^^
^^ 06

Some of the equipment illustrated or described is optional equipment for which an extra charge is made. Please contact your Audi partner or visit www.audi.com for detailed information about standard and optional equipment.

More exceptional. With A3 design.

In an Audi A3, there is plenty of room for your ideas to unfold. With the A3 design line, for example, you can integrate striking highlights that reflect your personality.

^^
^^
^^
^^ 01 | 02 | 03 | 04

Some of the equipment illustrated or described is optional equipment for which an extra charge is made. Please contact your Audi partner or visit www.audi.com for detailed information about standard and optional equipment.

- 01 _ Gloss package
- 02 _ Air inlet grille with L-shaped chrome strut
- 03 _ 17-inch cast aluminium wheels in 10-spoke turbine design
- 04 _ Chrome-plated trims for exhaust tailpipes, single or twin tailpipes depending on engine variant
- 05 _ Inlays in 3D-design "Optic", titanium grey
- 06 _ Standard seat, front; seat upholstery in regatta cloth/artificial leather combination
- 07 _ Aluminium look in the interior
- 08 _ Lighting package
- 09 _ Gear or selector lever knob in leather
- 10 _ Leather steering wheel in 3-spoke design with multifunction plus
- 11 _ Monochrome driver information system



^^
^^
^^ 05



^^
^^
^^ 06 | 07 | 08 | 09 | 10 | 11

More sportiness. With A3 sport.

Show your sporty side with the A3 sport equipment version – all along the line. With details that emphasise the temperament of your Audi A3 in impressive style and highlight powerful performance at first sight.



^^
^^
^^ 01 | 02



▲
 ▲
 ▲
 ▲ 03 | 04 | 05 | 06 | 07

- 01 _ Air inlet grilles with vertical struts in aluminium look
- 02 _ 17-inch cast aluminium wheels in 5-arm design
- 03 _ Inlays in aluminium mistral
- 04 _ Sport seats, front, with seat upholstery in rallye cloth
- 05 _ Gear or selector lever knob in leather
- 06 _ Sport suspension and Audi drive select
- 07 _ Audi virtual cockpit
- 08 _ Chrome-plated trims for exhaust tailpipes, single or twin tailpipes depending on engine variant
- 09 _ Diffuser insert in aluminium look



▲
 ▲
 ▲
 ▲ 08 | 09



^^
^^
^^ 01 | 02 | 03 | 04 | 05

The S line sport package creates even more highlights
and further enhances the vehicle's sporty character.

- 01 _ S sport seats, front, S line seat upholstery in optional fine Nappa leather, black, with contrasting stitching in rock grey with rhombus pattern
(in conjunction with S line sport package, the front sport seats feature S line seat upholstery in Sequence cloth/leather as standard)
- 02 _ Inlays in matt brushed aluminium
- 03 _ Headlining in cloth, black
- 04 _ Audi virtual cockpit
- 05 _ Storage and luggage compartment package
- 06 _ Gear or selector lever knob in perforated leather, black
- 07 _ S line sport suspension
- 08 _ Illuminated door sill trims, front with aluminium inlays and S logo
- 09 _ Pedals and footrest in stainless steel
- 10 _ Contrasting stitching in rock grey on the seats, steering wheel, gear/selector lever knob and floor mats
- 11 _ 18-inch cast aluminium wheels in 5-parallel-spoke design, partly polished¹



^^
^^
^^ 06 | 07



^^
^^
^^ 08 | 09 | 10 | 11

More striking. With the S line exterior package.

Don't just emphasise the sporty character of your Audi A3 – enhance it. With the S line exterior package you add an even more thrilling touch to the dynamic body line and create special highlights with exceptional details.

- 01 _ Black air inlet grilles in honeycomb design
- 02 _ Chrome-plated trims for exhaust tailpipes, single or twin tailpipes depending on engine variant
- 03 _ Diffuser insert with honeycomb design
- 04 _ S line roof edge spoiler
- 05 _ Front and rear bumpers as well as side sill trims in a striking, sporty design
- 06 _ S line emblem on the front wings



^^
^^
^^ 04 | 05 | 06



Some of the equipment illustrated or described is optional equipment for which an extra charge is made. Please contact your Audi partner or visit www.audi.com for detailed information about standard and optional equipment.

Powerful look.

Select the paint colour that best suits your personality. Secure in the knowledge that the quality will be superb, because your vehicle is painted not just once, but four times. So not only do you look radiant in your Audi, the car is also protected from environmental influences and wear. Ensuring that the car maintains a powerful look throughout its entire lifetime.

Many additional paint finishes can be found at www.audi.com

Glacier white, metallic

Nano grey, metallic

Mythos black, metallic

Ara blue, crystal effect

Tango red, metallic

Floret silver, metallic

Audi exclusive customised
paint finish in Java green,
metallic¹

90 91



^^
^^
^^
^^ Cosmos blue,
metallic

Powerful presence.

With Audi wheels, you can emphasise your own individual style and the character of your Audi A3. Why not indulge yourself and create a powerful presence with your favourite design? For peace of mind on the road: Audi wheels are subjected to special test procedures, undergo rigorous testing and are of superb quality.

01



02



03



04



Audi Sport

- 01** 19-inch Audi Sport cast aluminium wheels in 10-Y-spoke design¹
- 02** 18-inch Audi Sport cast aluminium wheels in 5-arm trapezoid design in gloss anthracite black· gloss turned finish^{1,2}
- 03** 19-inch Audi Sport cast aluminium wheels in 5-arm rotor design in matt titanium look, gloss turned finish^{1,2}
- 04** 19-inch Audi Sport cast aluminium wheels in 10-Y-spoke design in gloss black^{1,2}
- 05** 19-inch Audi Sport cast aluminium wheels in 5-arm wing design in gloss titanium look, gloss turned finish^{1,2}
- 06** 18-inch cast aluminium wheels in 5-parallel-spoke design (S design), partly polished²
- 07** 18-inch cast aluminium wheels in 5-twin-spoke star design (S design), contrasting grey, partly polished²
- 08** 17-inch cast aluminium wheels in 5-twin-spoke design

Many additional wheels can be found at www.audi.com



Some of the equipment illustrated or described is optional equipment for which an extra charge is made. Please contact your Audi partner or visit www.audi.com for detailed information about standard and optional equipment. You will find specifications on the technical characteristics of tyres on page 110.

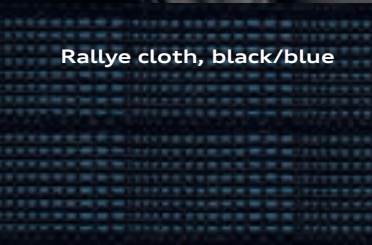
¹From Audi Sport GmbH. ²Please note the special information relating to wheels on page 110.



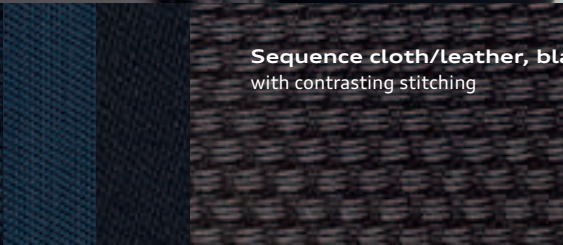
^^
^^
^^
^^ O1



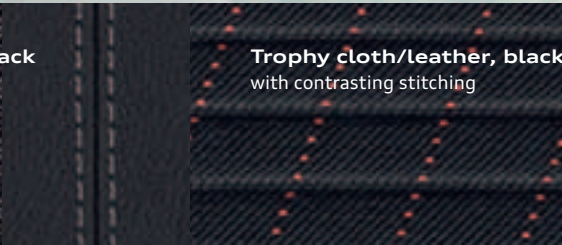
^^
^^
^^
^^ O2



Rallye cloth, black/blue



Sequence cloth/leather, black
with contrasting stitching



Trophy cloth/leather, black
with contrasting stitching



**Frequency Alcantara/
leather combination in rotor grey**
with contrasting stitching

More quality. With cloth and leather upholstery and trim.

You have a special place in your Audi. Exclusive comfort can be felt on the front and rear seats, thanks to high-quality materials and first-class workmanship. No matter which seat upholstery you choose: you're sitting in the right place.

Many additional seat upholstery options can be found at www.audi.com



03

01 _ S sport seat, front in fine Nappa leather, black with contrasting stitching 02 _ Sport seat, front in Plenum cloth/leather, black/cosmos blue with contrasting stitching 03 _ Standard seat, front in Regatta cloth, black

Some of the equipment illustrated or described is optional equipment for which an extra charge is made. Please contact your Audi partner or visit www.audi.com for detailed information about standard and optional equipment.

Fine Nappa leather, black
with contrasting stitching

Alcantara/leather, black

Fine Nappa leather, black
with rhombus pattern and contrasting stitching

Milano leather, rock grey



^ 3D-design "Optic", titanium grey



^ Aluminium Mistral



More select. With inlays.

Exclusive ambience is a question of style. Your style. A style you can refine right down to the last detail. Create tangible accents with high-quality Audi inlays. Experience the fascination of selected materials – fine inlays in 3D-design “Optic”, titanium grey; aluminium Mistral; micrometallic, silver; carbon twill¹ or matt brushed aluminium, light design – choose what suits your personal taste.

Additional inlays can be found at www.audi.com

^^
^^
^^
^ Micrometallic, silver

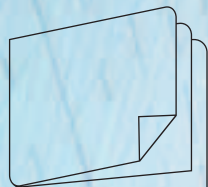
^^
^^
^^
^ Matt brushed aluminium, design light

^^
^^
^^
^ Carbon twill¹

Some of the equipment illustrated or described is optional equipment for which an extra charge is made. Please contact your Audi partner or visit www.audi.com for detailed information about standard and optional equipment.

¹From Audi Sport GmbH.

As individual as the life you lead.



Further information can be obtained from the accessories brochure and from your Audi partner.

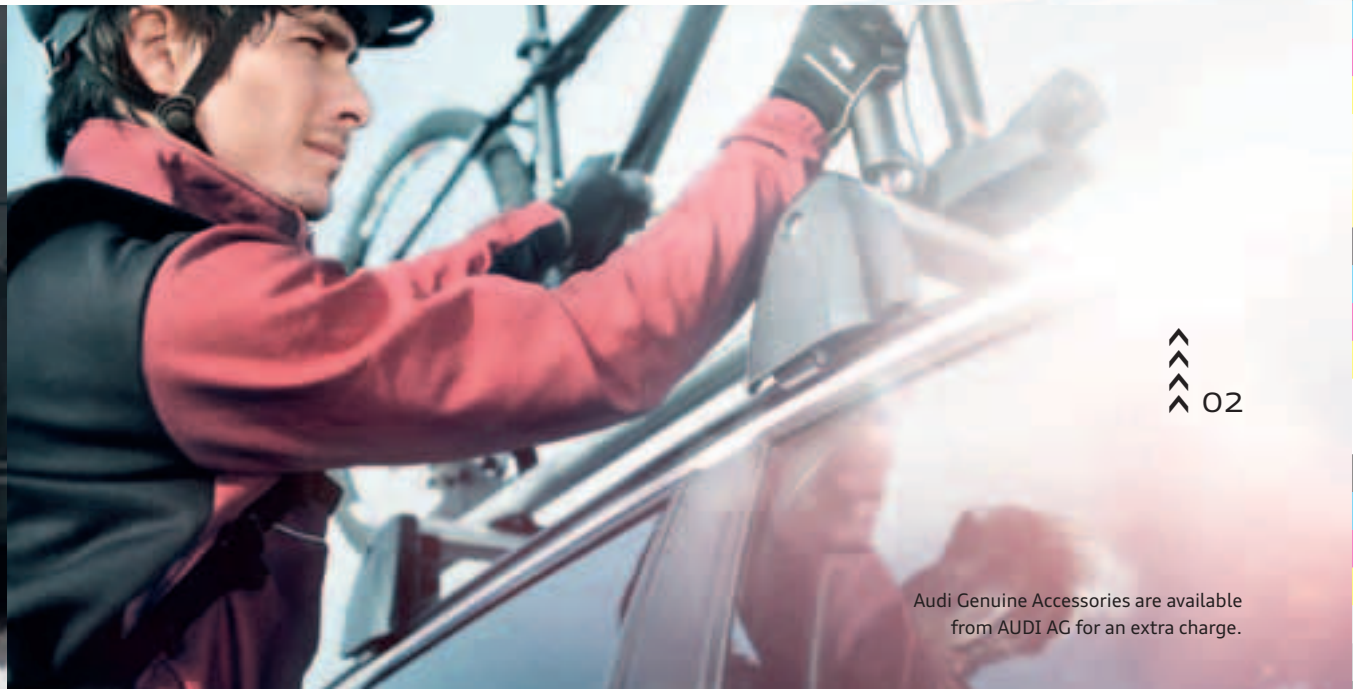
Audi Genuine Accessories provides you with numerous ways of adding even more facets to your Audi A3. With products that keep our quality promise day in, day out. Benefit from custom solutions with fascinating design and a high level of functionality. Further information on these and other highlights is available from your Audi partner.

- 01_ Snow chains** - for improved grip on snow and ice. Available in different sizes.
- 02_ Cycle fork mount** - allows for the convenient transport of bicycles on the carrier unit.
- 03_ Entrance LED** - uses LED light to project either the quattro logo or the Audi rings onto the ground.
- 04_ USB adapter** - for charging various compatible mobile phone models and for using Audi smartphone interface¹ and Audi music interface^{2,3,4}.
- 05_ Child seat range** - different versions for small passengers up to 36 kg (0 to 12 years).
- 06_ Ski and luggage boxes** - in exclusive Audi design, in platinum grey or brilliant black, can be locked and conveniently opened on both sides. Available in the sizes 300 l, 360 l and 405 l.

↑↑↑
01



↑↑↑
02





^^
^^
^^ 03



^^
^^
^^ 04



^^
^^
^^ 05



^^
^^
^^ 06

¹Please contact your Audi partner or visit www.audi.com/bluetooth for information on compatible mobile phones. ²For information on when this feature will be available and availability in different countries, please contact your Audi partner. ³Please contact your mobile phone manufacturer to find out whether your smartphone is compatible. ⁴Audi has no influence over the applications shown via the Audi smartphone interface. The respective service providers are responsible for the content and functions displayed within the applications.

Audi A3 > Audi Genuine Accessories

- 01_ **Cast aluminium wheels in 5-arm velum design** - in size 7.5 J x 18 ensure a dynamic appearance.
- 02_ **Espresso mobile** - genuine espresso taste with crema. Pressure: 19 bar. Connection via cigarette lighter. Included in the set:
2 unbreakable espresso cups, microfibre cloth, cleaning brush, waste container. Elegant case.
- 03_ **Luggage compartment tray** - protects the luggage space from soiling and damage caused by luggage. Only for the A3 Sportback.
- 04_ **Tailgate spoiler, carbon** - underpins the great aerodynamics of the saloon.
- 05_ **Exterior mirror housings in high-quality carbon** - a real eye-catcher.
- 06_ **All-weather floor mats** - help protect the vehicle interior against moisture and coarse soiling. With A3 logo.



^^
^^
^^ 01



^^
^^
^^ 02

Audi Genuine Accessories are available from AUDI AG for an extra charge.



^^
^^
^^ 03



100 101

^^
^^
^^ 04



^^
^^
^^ 05



^^
^^
^^ 06

The fascination of the Audi A3. Find out more online.

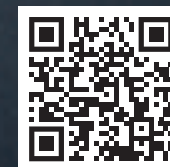
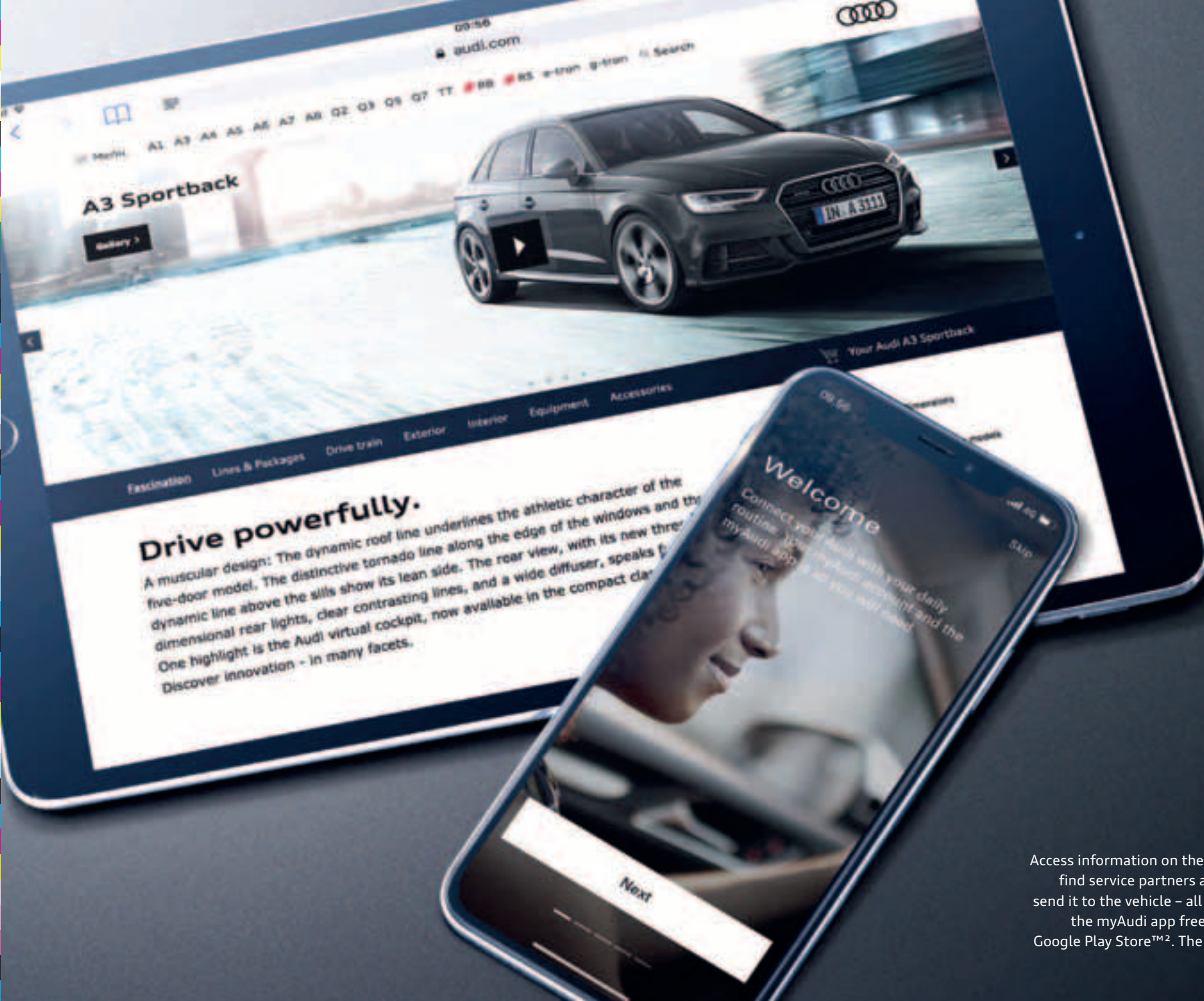
Discover the world of the Audi A3.

More information, more individuality and more exclusivity. Now at www.audi.com.



Scan the QR code using your smartphone or tablet and discover the world of the Audi A3. Connection costs depend on your mobile phone contract.





myAudi app¹

Access information on the equipment in your Audi at any time, find service partners and look for the next destination and send it to the vehicle – all with a single app. You can download the myAudi app free of charge from the App Store or the Google Play Store™². The app is available for iOS and Android.

Audi A3 > Technical data

Model	Audi A3 30 TFSI (85 kW)	Audi A3 35 TFSI (110 kW)	Audi A3 40 TFSI quattro (140 kW)
Engine type	3-cylinder inline petrol engine with direct fuel injection, turbocharging with indirect intercooler, 4-valve technology, 2 overhead camshafts	4-cylinder inline petrol engine with direct fuel injection, turbocharging with indirect intercooler, 4-valve technology, 2 overhead camshafts	4-cylinder inline petrol engine with direct fuel injection, turbocharging and Audi valvelift system (inlet side)
Displacement in cc (valves per cylinder)	999 (4)	1,498 (4)	1,984 (4)
Max. output ¹ in kW at rpm	85/5,000–5,500	110/5,000–6,000	140/4,200–6,000
Max. torque in Nm at rpm	200/1,500–3,500	250/1,500–3,500	320/1,500–4,100
Power transmission			
Drive type	Front-wheel drive	Front-wheel drive	quattro permanent all-wheel drive
Transmission type	6-speed manual transmission	6-speed manual transmission [7-speed S tronic]	[7-speed S tronic]
Weights/capacities			
Unladen weight ² in kg	1,265	1,325 [1,345]	[1,490]
Gross vehicle weight in kg	1,770	1,840 [1,855]	[1,995]
Permissible roof load limit/nose weight in kg	75/75	75/75 [75/75]	[75/75]
Trailer load limit ³ in kg			
unbraked	630	660 [670]	[740]
12 % gradient	1,300	1,500 [1,500]	[1,600]
8 % gradient	1,500	1,700 [1,700]	[1,800]
Fuel tank capacity, approx. in l	50	50 [50]	[55]
Performance			
Top speed in km/h	206	220 [220]	[236]
Acceleration 0–100 km/h in s	9.9	8.2 [8.2]	[6.2]
Fuel grade	Sulphur-free super RON 95 ⁴	Sulphur-free super RON 95 ⁴	Sulphur-free super RON 95 ⁴

[] Figures in square brackets refer to S tronic automatic transmission. Explanation of ¹ to ⁹ on page 110. Some of the equipment illustrated or described is optional equipment for which an extra charge is made. Please contact your Audi partner or visit www.audi.com for detailed information about standard and optional equipment.

Model	Audi A3 30 TDI (85 kW)	Audi A3 35 TDI (110 kW)	Audi A3 40 TDI quattro (135 kW)
Engine type	4-cylinder inline diesel engine with VTG turbocharger and indirect intercooler, 2 overhead camshafts	4-cylinder inline diesel engine with VTG turbocharger and indirect intercooler, 2 overhead camshafts	4-cylinder inline diesel engine with VTG turbocharger and indirect intercooler, 2 overhead camshafts
Displacement in cc (valves per cylinder)	1,598 (4)	1,968 (4)	1,968 (4)
Max. output ¹ in kW at rpm	85/3,250–4,000	110/3,500–4,000	135/3,500–4,000
Max. torque in Nm at rpm	250/1,750–3,200	340/1,750–3,000	340/1,750–3,000
Power transmission			
Drive type	Front-wheel drive	Front-wheel drive	quattro permanent all-wheel drive
Transmission type	6-speed manual transmission	6-speed manual transmission [7-speed S tronic]	[7-speed S tronic]
Weights/capacities			
Unladen weight ² in kg	1,365	1,415 [1,440]	[1,550]
Gross vehicle weight in kg	1,875	1,900 [1,955]	[2,045]
Permissible roof load limit/nose weight in kg	75/75	75/75 [75/75]	[75/75]
Trailer load limit ³ in kg			
unbraked	680	700 [720]	[750]
12 % gradient	1,500	1,600 [1,600]	[1,800]
8 % gradient	1,700	1,800 [1,800]	[1,800]
Fuel tank capacity, approx. in l	50/AdBlue ^{®5} tank: 13	50/AdBlue ^{®5} tank: 13 [50/AdBlue ^{®5} tank: 13]	[55/AdBlue ^{®5} tank: 12]
Performance			
Top speed in km/h	205	218 [218]	[230]
Acceleration 0–100 km/h in s	10.4	8.6 [8.1]	[6.8]
Fuel grade	Sulphur-free diesel ⁶	Sulphur-free diesel ⁶	Sulphur-free diesel ⁶

Audi A3 > Technical data

Model	Audi A3 30 TFSI (85 kW)	Audi A3 35 TFSI (110 kW)				Audi A3 40 TFSI quattro (140 kW)	
Engine type	3-cylinder inline petrol engine with direct fuel injection, turbocharging with indirect intercooler, 4-valve technology, 2 overhead camshafts	4-cylinder inline petrol engine with direct fuel injection, turbocharging with indirect intercooler, 4-valve technology, 2 overhead camshafts				4-cylinder inline petrol engine with direct fuel injection, turbocharging and Audi valvelift system (inlet side)	
Displacement in cc (valves per cylinder)	999 (4)	1,498 (4)				1,984 (4)	
Max. output ¹ in kW at rpm	85/5,000–5,500	110/5,000–6,000				140/4,200–6,000	
Max. torque in Nm at rpm	200/1,500–3,500	250/1,500–3,500				320/1,500–4,100	
Power transmission							
Drive type	Front-wheel drive	Front-wheel drive				quattro permanent all-wheel drive	
Transmission type	6-speed manual transmission	6-speed manual transmission [7-speed S tronic]				[7-speed S tronic]	
Weights/capacities							
	A3 Saloon	A3 Saloon				A3 Saloon	
		A3 Cabriolet		A3 Cabriolet		A3 Cabriolet	
Unladen weight ² in kg	1,275	1,335	[1,355]	1,480	[1,500]	[1,495]	[1,665]
Gross vehicle weight in kg	1,765	1,835	[1,850]	1,880	[1,895]	[1,990]	[2,065]
Permissible roof load limit/nose weight in kg	75/75	75/75	[75/75]	-/75	[-/75]	[75/75]	[-/75]
Trailer load limit ³ in kg							
unbraked	630	660	[670]	740	[750]	[740]	[750]
12 % gradient	1,300	1,500	[1,500]	1,500	[1,500]	[1,600]	[1,600]
8 % gradient	1,500	1,700	[1,700]	1,700	[1,700]	[1,800]	[1,800]
Fuel tank capacity, approx. in l	50	50	[50]	50	[50]	[55]	[55]
Performance							
Top speed in km/h	211	224	[224]	222	[222]	[242]	[242]
Acceleration 0–100 km/h in s	9.9	8.2	[8.2]	8.9	[8.9]	[6.2]	[6.9]
Fuel grade	Sulphur-free super RON 95 ⁴	Sulphur-free super RON 95 ⁴				Sulphur-free super RON 95 ⁴	

Model	Audi A3 30 TDI (85 kW)	Audi A3 35 TDI (110 kW)	Audi A3 40 TDI quattro (135 kW)
Engine type	4-cylinder inline diesel engine with VTG turbocharger and indirect intercooler, 2 overhead camshafts	4-cylinder inline diesel engine with VTG turbocharger and indirect intercooler, 2 overhead camshafts	4-cylinder inline diesel engine with VTG turbocharger and indirect intercooler, 2 overhead camshafts
Displacement in cc (valves per cylinder)	1,598 (4)	1,968 (4)	1,968 (4)
Max. output ¹ in kW at rpm	85/3,250–4,000	110/3,500–4,000	135/3,500–4,000
Max. torque in Nm at rpm	250/1,750–3,200	340/1,750–3,000	340/1,750–3,000
Power transmission			
Drive type	Front-wheel drive	Front-wheel drive	quattro permanent all-wheel drive
Transmission type	6-speed manual transmission	6-speed manual transmission [7-speed S tronic]	[7-speed S tronic]
Weights/capacities			
Unladen weight ² in kg	1,375	1,425 [1,450]	[1,555]
Gross vehicle weight in kg	1,870	1,900 [1,950]	[2,040]
Permissible roof load limit/nose weight in kg	75/75	75/75 [75/75]	[75/75]
Trailer load limit ³ in kg unbraked	680	710 [720]	[-]
12 % gradient	1,500	1,600 [1,600]	[-]
8 % gradient	1,700	1,800 [1,800]	[-]
Fuel tank capacity, approx. in l	50/AdBlue ^{®5} tank: 13	[50/AdBlue ^{®5} tank: 13] [50/AdBlue ^{®5} tank: 13]	[55/AdBlue ^{®5} tank: 12]
Performance			
Top speed in km/h	211	224 [224]	[237]
Acceleration 0–100 km/h in s	10.4	8.6 [8.1]	[6.8]
Fuel grade	Sulphur-free diesel ⁶	Sulphur-free diesel ⁶	Sulphur-free diesel ⁶

[] Figures in square brackets refer to S tronic automatic transmission. Explanation of ¹ to ⁹ on page 110. Some of the equipment illustrated or described is optional equipment for which an extra charge is made. Please contact your Audi partner or visit www.audi.com for detailed information about standard and optional equipment.

Audi A3 > Technical data

Model	Audi S3 TFSI (221 kW)	Audi S3 TFSI (221 kW)	
Engine type	4-cylinder inline petrol engine with direct fuel injection, turbocharging with intercooler, 4-valve technology, 2 overhead camshafts	4-cylinder inline petrol engine with direct fuel injection, turbocharging with indirect intercooler, 4-valve technology, 2 overhead camshafts	
Displacement in cc (valves per cylinder)	1,984 (4)	1,984 (4)	
Max. output ¹ in kW at rpm	221/5,300–6,500	221/5,300–6,500	
Max. torque in Nm at rpm	400/2,000–5,200	400/2,000–5,200	
Power transmission			
Drive type	quattro permanent all-wheel drive	quattro permanent all-wheel drive	
Transmission type	[7-speed S tronic]	[7-speed S tronic]	
Weights/capacities			
Unladen weight ² in kg	[1,565]	S3 Saloon [1,570]	S3 Cabriolet [1,740]
Gross vehicle weight in kg	[2,045]	[2,045]	[2,110]
Permissible roof load limit/nose weight in kg	[75/-]	[75/-]	[-/-]
Trailer load limit ³ in kg			
unbraked	[-]	[-]	[-]
12 % gradient	[-]	[-]	[-]
8 % gradient	[-]	[-]	[-]
Fuel tank capacity, approx. in l	[55]	[55]	[55]
Performance			
Top speed in km/h	[250] ⁷	[250] ⁷	[250] ⁷
Acceleration 0–100 km/h in s	[4.7]	[4.7]	[5.2]
Fuel grade	Sulphur-free super RON 98 ⁴	Sulphur-free super RON 98 ⁴	

Model	Audi A3 Sportback 30 g-tron (96 kW)
Engine type	4-cylinder inline petrol engine with direct fuel injection and manifold gas injection, turbocharging and Audi valvelift system
Displacement in cc (valves per cylinder)	1,498 (4)
Max. output ¹ in kW at rpm	96/5,000–6,000
Max. torque in Nm at rpm	200/1,400–4,000
Power transmission	
Drive type	Front-wheel drive
Transmission type	[7-speed S tronic]
Weights/capacities	
Unladen weight ² in kg	[1,385]
Gross vehicle weight in kg	[1,880]
Permissible roof load limit/nose weight in kg	[75/75]
Trailer load limit ³ in kg	
unbraked	[690]
12 % gradient	[1,300]
8 % gradient	[1,500]
Fuel tank capacity, approx. in l	[9]
Fuel tank capacity, approx. in kg (CNG)	[17.3]
Performance	
Top speed in km/h	[211]
Acceleration 0–100 km/h in s	[9.4]
Fuel grade	CNG/sulphur-free super RON 95 ⁴

Model	Audi A3 Sportback 40 e-tron (150 kW)
Engine type	4-cylinder inline petrol engine with direct fuel injection, turbocharging and indirect intercooler
Displacement in cc (valves per cylinder)	1,395 (4)
Max. output ¹ of combustion engine in kW at rpm	110/5,000–6,000
Max. torque in Nm at rpm	250/1,600–3,500
Plug-in hybrid drive	
Electric output in kW	80 ⁸
Max. electric torque in Nm	330 ⁸
System power output in kW	150 ⁸
Total system torque in Nm	350 ⁸
Battery type	Lithium-ion battery system
Battery energy content in kWh	8.8
Power transmission	
Drive type	Front-wheel drive
Transmission type	[6-speed S tronic with integrated electric motor]
Weights/capacities	
Unladen weight ² in kg	[1,630]
Gross vehicle weight in kg	[2,055]
Permissible roof load limit/nose weight in kg	[75/75]
Trailer load limit ³ in kg	
unbraked	[750]
12% gradient	[1,400]
8% gradient	[1,600]
Fuel tank capacity, approx. in l	[40]

Model	Audi A3 Sportback 40 e-tron (150 kW)
Performance	
Top speed, electric in km/h	[140]
Top speed, hybrid in km/h	[222]
Acceleration 0–60 km/h, electric in s	[4.9]
Acceleration 0–100 km/h, hybrid in s	[7.6]
Performance	
Fuel grade	Sulphur-free super RON 95 ⁴
Range, electric in km	[up to 49 ⁹]
















[] Figures in square brackets refer to S tronic automatic transmission. Explanation of ¹ to ⁹ on page 110. Some of the equipment illustrated or described is optional equipment for which an extra charge is made. Please contact your Audi partner or visit www.audi.com for detailed information about standard and optional equipment.

Explanatory notes

- ¹ The figure given was calculated using the specified measuring procedure (current version of UN-R 85).
- ² Unladen vehicle weight includes driver (75 kg) and fuel tank 90% full, calculated in accordance with the current version of Reg. (EU) 1230/2012. Optional equipment may increase the car's unladen weight and drag coefficient, whereupon the possible payload limit and the top speed will be reduced accordingly.
- ³ The engine's power output always decreases with increasing altitude. At 1,000 m above sea level, and for every additional 1,000 m, deduct 10% from the weight of the outfit (trailer load limit + gross weight of the towing vehicle). Figure for trailer load limit applies to factory-fitted trailer towing hitch. If using the vehicle with a trailer towing hitch for commercial purposes, a digital tachograph may be required under certain conditions.
- ⁴ We recommend using sulphur-free super unleaded RON 95 fuel complying with DIN EN 228. If this is not available, use sulphur-free regular unleaded RON 91 fuel complying with DIN EN 228; power output will be slightly reduced. Unleaded RON 95 fuel with a maximum ethanol content of 10% (E10) can generally be used.
- ⁵ The separate AdBlue tank is refilled as indicated by the information in the display of the instrument cluster. We recommend having the AdBlue tank refilled by your Audi partner. AdBlue is a registered trademark of the Verband der Automobilindustrie e.V. (VDA).
- ⁶ We recommend using sulphur-free diesel complying with DIN EN 590. If this is not available, use diesel complying with DIN EN 590.
- ⁷ Electronically regulated.
- ⁸ Over short periods.
- ⁹ The given range can vary depending on driving style, speed, the use of convenience features/ancillary consumers, outside temperature, the number of passengers/payload, selection of driving profile and topography.

Classifications of tyre parameters

The table shows the range of fuel efficiency, wet grip and exterior noise emission classes for the different tyre sizes of the Audi A3 Sportback, the Audi A3 Saloon, the Audi A3 Cabriolet, the Audi S3 Sportback, the Audi S3 Saloon, the Audi S3 Cabriolet, the Audi A3 Sportback 30 g-tron and the Audi A3 Sportback 40 e-tron.

	Tyre size	Fuel efficiency class	Wet grip class	Exterior noise emission class
Summer tyres	205/55 R 16	C-B	B-A	71-68  - 
	225/45 R 17	C-B	B-A	71-68  - 
	225/40 R 18	E-C	B-A	72-68  - 
	235/35 R 19	E-C	B-A	72-68  - 
All-season tyres	205/55 R 16	C	C	68 
	225/45 R 17	C	C	72 
Winter tyres	205/55 R 16	E	C-B	72-68  - 
	205/50 R 17	F-E	E-B	72-68  - 
	225/40 R 18	E	C-B	72-70 

It is not possible to order a specific tyre. Ask your Audi partner about the range of tyres available in your country.

Important note

Special information about the wheels: Cast aluminium wheels with gloss turned or gloss milled finish as well as polished or partly polished aluminium wheels must not be used in wintry road conditions. For manufacturing reasons, the rim surface does not have sufficient corrosion protection for such use and can be damaged permanently by road salt or similar.

Legal notice about Audi Genuine Accessories

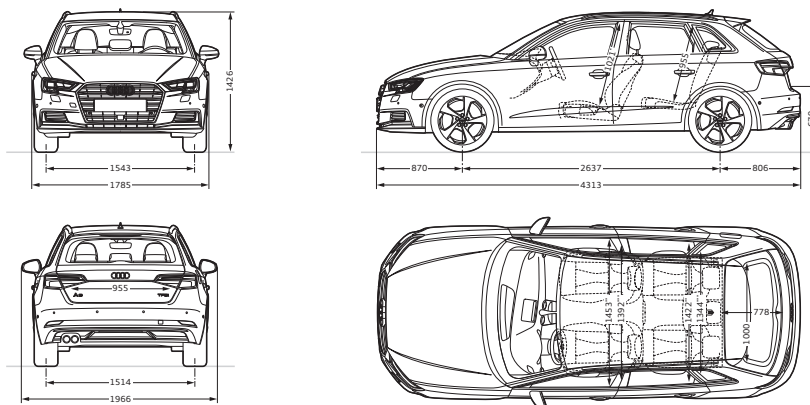
Audi Genuine Accessories are available from AUDI AG for an extra charge. Accessories are not factored in when calculating the vehicle's fuel consumption and emission figures. As such, accessories can be fitted only after initial registration.

Some of the equipment illustrated or described is optional equipment for which an extra charge is made. Please contact your Audi partner or visit www.audi.com for detailed information about standard and optional equipment.

Audi A3 Sportback

Dimensions in mm

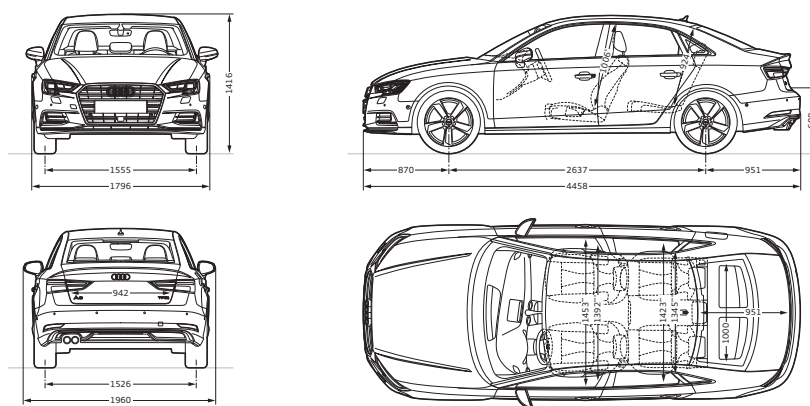
Dimensions are for unladen vehicle weight. Luggage capacity¹: front-wheel drive 380/1,220 l; quattro permanent all-wheel drive 340/1,180 l (second value is with the rear seat backrest folded down and the vehicle loaded up to roof height). Turning circle approx. 10.9 m. *Maximum headroom. **Elbow room width. ***Shoulder room width.



Audi A3 Saloon

Dimensions in mm

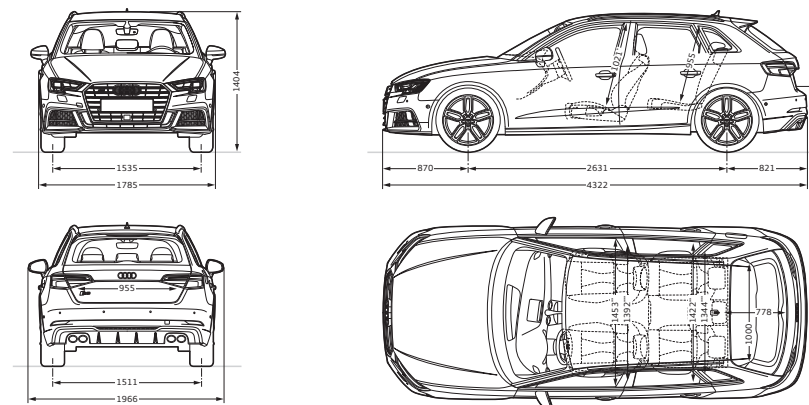
Dimensions are for unladen vehicle weight. Luggage capacity¹: front-wheel drive 425/880 l; quattro permanent all-wheel drive 390/845 l (second value is with the rear seat backrest folded down and vehicle loaded up to parcel shelf). Turning circle approx. 10.9 m. *Maximum headroom. **Elbow room width. ***Shoulder room width.



Audi S3 Sportback

Dimensions in mm

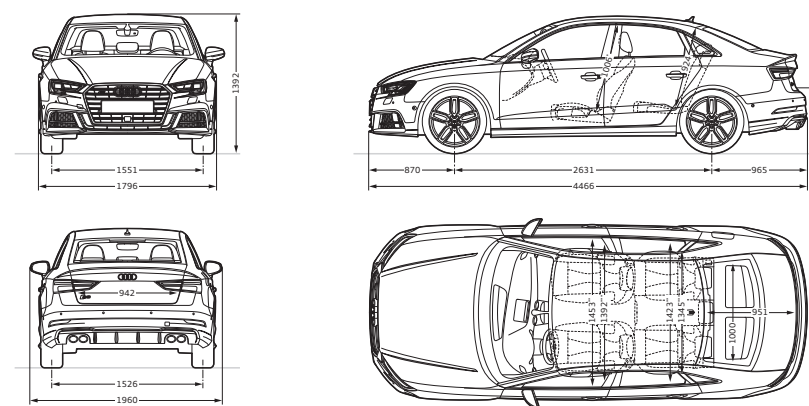
Dimensions are for unladen vehicle weight. Luggage capacity¹ 340/1,180 l (second value is with the rear seat backrest folded down and vehicle loaded up to roof height). Turning circle approx. 10.9 m. *Maximum headroom. **Elbow room width. ***Shoulder room width.



Audi S3 Saloon

Dimensions in mm

Dimensions are for unladen vehicle weight. Luggage capacity¹ 390/845 l (second value is with the rear seat backrest folded down and vehicle loaded up to parcel shelf). Turning circle approx. 10.9 m. *Maximum headroom. **Elbow room width. ***Shoulder room width.



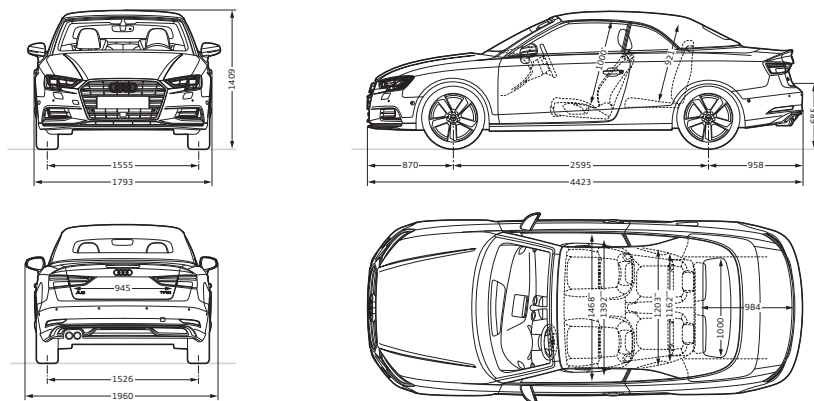
¹Technical specifications refer to a basic vehicle without country-specific features and the selected optional equipment.

Audi A3 > Dimensions

Audi A3 Cabriolet

Dimensions in mm

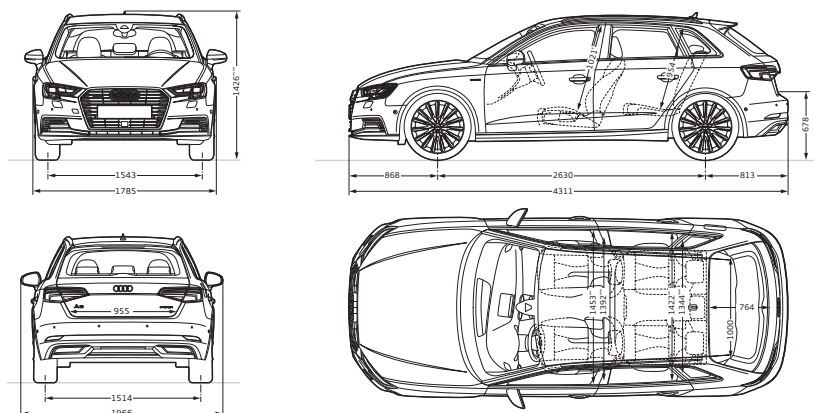
Dimensions are for unladen vehicle weight. Luggage capacity¹ with closed hood: front-wheel drive 320 l, quattro permanent all-wheel drive 285 l; with open hood: front-wheel drive 280 l, quattro permanent all-wheel drive 245 l; with the rear seat backrest folded down: front-wheel drive 680 l, quattro permanent all-wheel drive 645 l. Turning circle approx. 10.9 m. *Maximum headroom. **Elbow room width. ***Shoulder room width.



Audi A3 Sportback 40 e-tron

Dimensions in mm

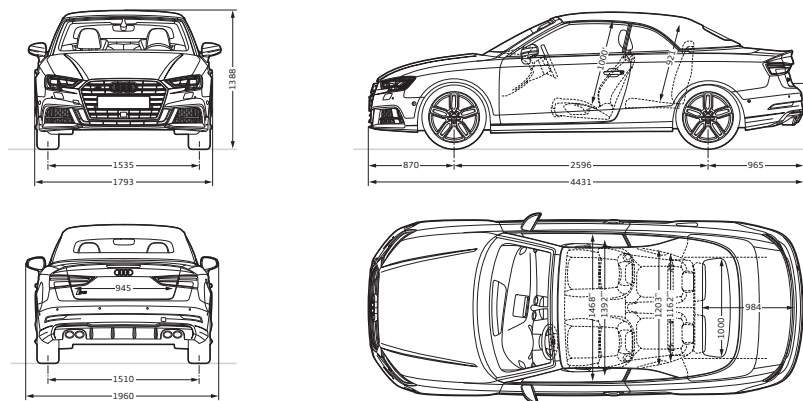
Dimensions are for unladen vehicle weight, ground clearance at maximum load. Luggage capacity¹ 280/1,120 l (second value is with the rear seat backrest folded down and vehicle loaded up to roof height). Turning circle approx. 10.9 m. *Maximum headroom. **Elbow room width. ***Shoulder room width.



Audi S3 Cabriolet

Dimensions in mm

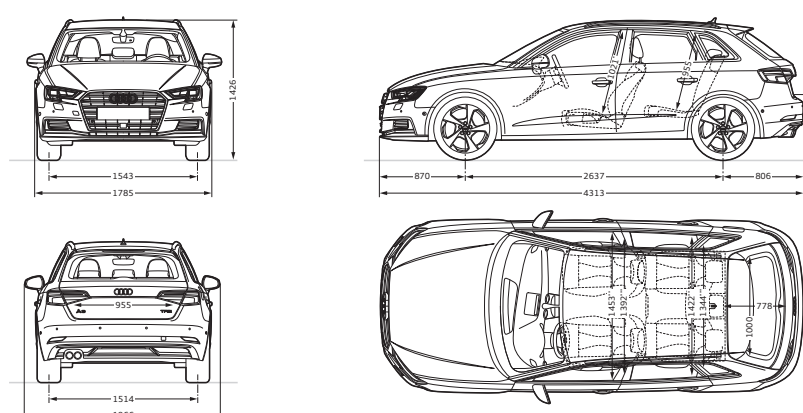
Dimensions are for unladen vehicle weight. Luggage capacity¹ with closed hood: 285 l; with open hood: 245 l; with the rear seat backrest folded down: 645 l. Turning circle approx. 10.9 m. *Maximum headroom. **Elbow room width. ***Shoulder room width.



Audi A3 Sportback 30 g-tron

Dimensions in mm

Dimensions are for unladen vehicle weight. Luggage capacity¹: front-wheel drive 280/1,120 l (second value with rear seat backrest folded down and vehicle loaded up to roof height). Turning circle approx. 10.9 m. *Maximum headroom. **Elbow room width. ***Shoulder room width.



Equipment for the Audi A3 Sportback illustrated (p. 04–15):

Paint finish: nano grey, metallic

Wheels: cast aluminium wheels in 5-twin-spoke star design

Seats/seat upholstery: sport seats, front in Sequence cloth/leather, black with contrasting stitching in rock grey

Inlays: matt brushed aluminium, light design

Further equipment: S line exterior package

Equipment for the Audi A3 Saloon illustrated (p. 16–23):

Paint finish: cosmos blue, metallic

Wheels: Audi Sport cast aluminium wheels in 5-arm trapezoid design in gloss anthracite black, gloss turned finish^{2,3}

Seats/seat upholstery: sport seats, front in Plenum cloth/leather, black/blue with contrasting stitching in space blue

Inlays: matt brushed aluminium

Further equipment: S line exterior package

Equipment for the Audi A3 Cabriolet illustrated (p. 24–29):

Paint finish: tango red, metallic

Wheels: Audi Sport cast aluminium wheels in 10-Y-spoke design in gloss black³

Seats/seat upholstery: S sport seats, front in fine Nappa leather, black with contrasting stitching in rock grey with rhombus pattern

Inlays: matt brushed aluminium, light design

Further equipment: S line exterior package

Equipment for the Audi S3 Sportback illustrated (p. 48–57):

Paint finish: Daytona grey, pearl effect

Wheels: cast aluminium wheels in 5-parallel-spoke design, partly polished²

Seats/seat upholstery: sport seats, front in fine Nappa leather, black/express red

Inlays: matt brushed aluminium, light design

Equipment for the Audi S3 Saloon illustrated (p. 58–69):

Paint finish: panther black, crystal effect

Wheels: Audi Sport cast aluminium wheels in 5-arm wing design in gloss titanium look, gloss turned finish^{2,3}

Seats/seat upholstery: S sport seats, front in fine Nappa leather, black with contrasting stitching in express red

Inlays: matt brushed aluminium, light design

Equipment for the Audi S3 Cabriolet illustrated (p. 70–73):

Paint finish: Navarra blue, metallic

Wheels: cast aluminium wheels in 5-twin-spoke star design (S design), contrasting grey, partly polished²

Seats/seat upholstery: S sport seats, front in Frequency Alcantara/leather, rotor grey, with contrasting stitching in anthracite

Inlays: matt brushed aluminium, light design

¹ Technical specifications refer to a basic vehicle without country-specific features and the selected optional equipment. ² Please note the special information relating to wheels on page 110. ³ From Audi Sport GmbH. Some of the equipment illustrated or described is optional equipment for which an extra charge is made. Please contact your Audi partner or visit www.audi.com for detailed information about standard and optional equipment.

Legal notice about Audi connect navigation & infotainment with customer's own SIM card

Use of the services supported by Audi connect is possible only in conjunction with an optional navigation system and Audi connect (including car phone – depending on the vehicle model). In addition, depending on the vehicle model, you will require a SIM card with data option and with LTE option to use LTE¹ – with car phone, a SIM card with phone and data option or a Bluetooth-capable smartphone with remote SIM Access Profile (rSAP)². The services are available only with an existing or separate mobile phone contract and only within the range of the respective mobile phone network. Depending on the terms of your mobile phone contract, additional costs may be incurred when receiving data packets from the internet – particularly when used abroad. Due to the high data volumes involved, a data flat rate is strongly recommended.

The availability of the services supported by Audi connect navigation & infotainment varies from country to country. The teaser phase is for 3 months from initial registration and automatically ends after these 3 months. Upon the purchase of an Audi connect navigation & infotainment licence, these 3 months shall not count towards the total duration of the Audi connect services. The services are generally provided for at least 1 year from vehicle delivery. If Audi connect services are based on services from third-party providers, permanent availability cannot be guaranteed as this is the responsibility of the third-party provider. Following a period of 24 months from vehicle delivery, the Audi connect services will be extended once free of charge for 12 months. If you do not require this extension, please write to:

AUDI AG
Audi International Customer Care Services
85045 Ingolstadt, Germany
Email: kundenbetreuung@audi.de
Tel.: +49 800 28347378423

Ask your Audi partner about a subsequent extension of the Audi connect services. Depending on the vehicle model, Audi connect provides access to Google and Twitter services. Permanent availability cannot be guaranteed as this is the responsibility of Google and Twitter. Please visit www.audi.com/connect or contact your Audi partner for more detailed information about Audi connect; contact your mobile services provider for information about contract conditions.

Legal notice about Audi connect navigation & infotainment via a SIM card permanently installed in the vehicle

Use of the services supported by Audi connect is possible only in conjunction with an optional navigation system. Audi connect services are provided through AUDI AG/importers. The data connection for Audi connect services is established through a mobile services provider via a SIM card permanently installed in the vehicle. An Audi partner must activate the SIM card in the first instance in the Audi A3 Sportback 40 e-tron. The costs of these data connections are included in the price of Audi connect services. The data connection for the Wi-Fi hotspot as well as for online media streaming and for further services provided through an Audi smartphone app is not included. The data connection for the Wi-Fi hotspot as well as for online media streaming and for further services provided through an Audi smartphone app is also established via the SIM card permanently installed in the vehicle and a paid data plan from the Audi provider. You will find information about tariffs and booking at www.audi.com/myaudi.

Alternatively, an external customer SIM card can be inserted into the card slot to establish a data connection. In conjunction with the optional Audi phone box, a Bluetooth-capable smartphone with remote SIM Access Profile (rSAP)² can also be connected to use the integrated car phone function. If an external SIM card is inserted into the card slot or connected via rSAP, all data connections, for both the Audi connect services as well as for the Wi-Fi hotspot, will be established via this external SIM card. In such cases, the costs incurred are billed exclusively to the external SIM card account.

The availability of the services supported by Audi connect navigation & infotainment varies from country to country. The teaser phase is for 3 months from initial registration and automatically ends after these 3 months. Upon the purchase of an Audi connect navigation & infotainment licence, these 3 months shall not count towards the total duration of the Audi connect services. The services are generally provided for at least 1 year from vehicle delivery. If Audi connect services are based on services from third-party providers, permanent availability cannot be guaranteed as this is the responsibility of the third-party provider. Following a period of 24 months from vehicle delivery, the Audi connect services will be extended once free of charge for 12 months. If you do not require this extension, please write to:

AUDI AG
Audi International Customer Care Services
85045 Ingolstadt, Germany
Email: kundenbetreuung@audi.de
Tel.: +49 800 28347378423

Ask your Audi partner about a subsequent extension of the Audi connect services. Depending on the vehicle model, Audi connect provides access to Google and Twitter services. Permanent availability cannot be guaranteed as this is the responsibility of Google and Twitter. Please visit www.audi.com/connect or contact your Audi partner for more detailed information about Audi connect; contact your mobile services provider for information about contract conditions.

¹ Requires LTE card contract for full use. For information about the availability and use of LTE support, please contact your Audi partner. ² Please contact your Audi partner or visit www.audi.com/bluetooth for information on compatible mobile phones. Some of the equipment illustrated or described is optional equipment for which an extra charge is made. Please contact your Audi partner or visit www.audi.com for detailed information about standard and optional equipment.