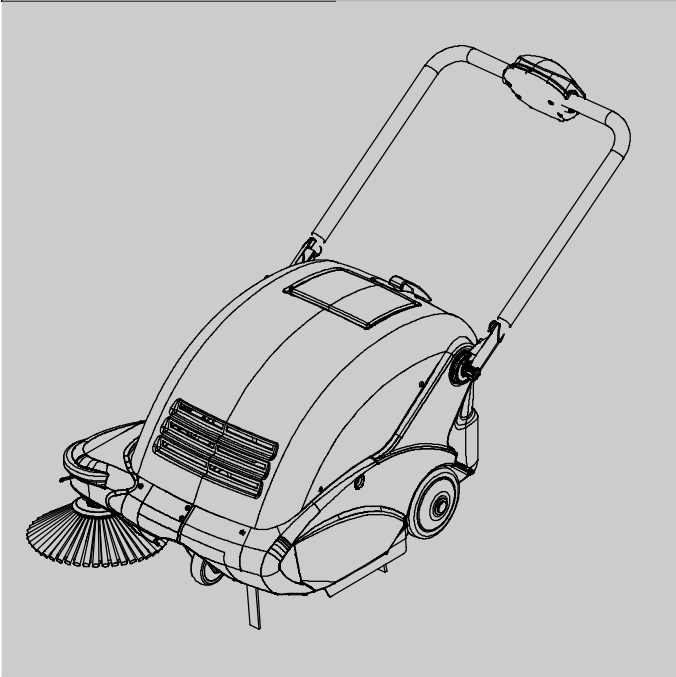




S6

**Battery Powered Automatic
Walk-behind Sweeper**

Parts Manual



Model Part No.:
1251268 - SWEEPER [S6 NA]
1251269 - SWEEPER [S6 JP]

TennantTrue® Parts

Global



To view, print or download
Tennant manuals, visit:

www.tennantco.com/manuals

**9021086
Rev. 01 (06-2021)**

Only use TENNANT Company supplied or equivalent parts. Parts and supplies may be ordered online, by phone or from any Tennant Authorized Service Center or Distributor.

Before Ordering any parts or supplies, be sure to have the machine model number and serial number available.

Serial Number Location

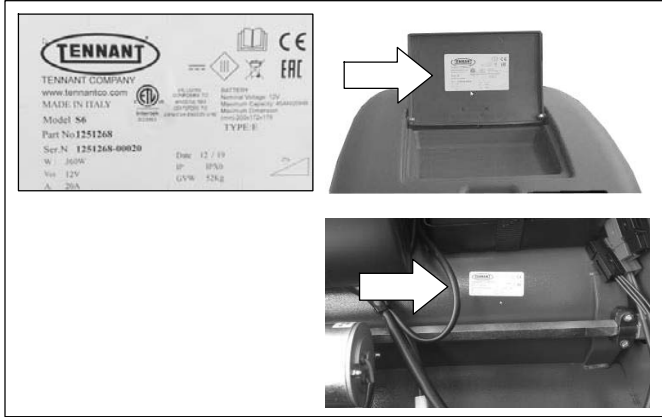


TABLE OF CONTENTS

RECOMMENDED SPARE PARTS LIST ...	3
FRAME AND HOPPER GROUP	4
BRUSH AND FILTER GROUP	8
ELECTRICAL DIAGRAM	12

Tennant Company

PO Box 1452
Minneapolis, MN 55440 USA
Phone: (800) 553-8033
www.tennantco.com

TENNANT Company Japan

9F Industry & Trade Center
2 Yamashita-cho, Naka-ku
Yokohama, Kanagawa 231-0023 Japan
Phone: 81-45-640-5630
Fax: 81-45-640-5604
www.tennant.co.jp

Specifications and parts are subject to change without notice.

Copyright © 2020 TENNANT Company

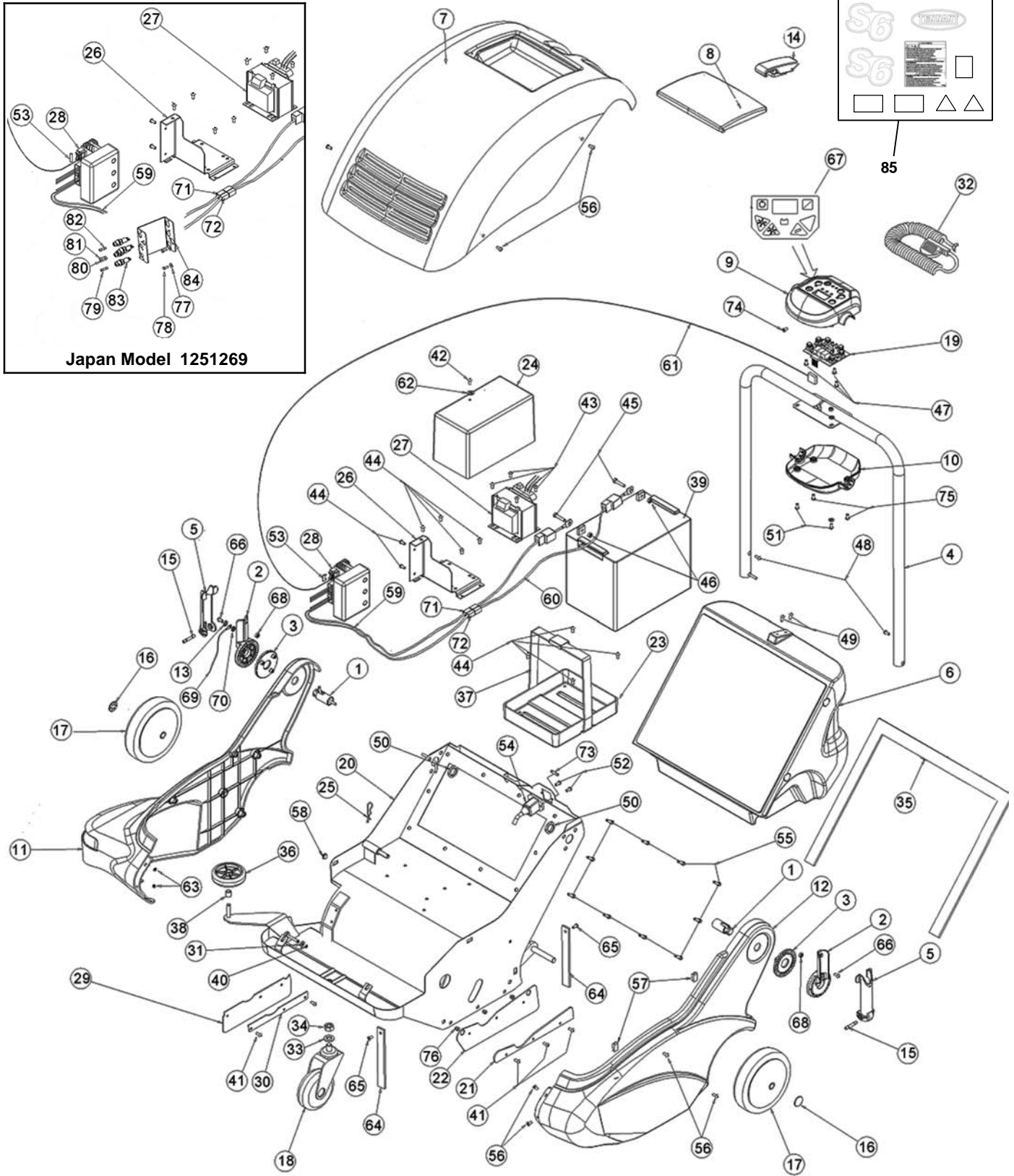
RECOMMENDED SPARE PARTS LIST

WEAR PARTS	
PART NO.	DESCRIPTION
SPPV00303	BRUSH, SIDE, STD
PMVR01121	BRUSH, MAIN, W/LOCKING RETAINER
FTDP00013	FILTER, PANEL, PAPER
FTDP00014	FILTER, PRE- FILTER
MPVR00938	SKIRT, FLAP, LH
MPVR00937	SKIRT, FLAP, RH
MPVR00935	SKIRT, FLAP, FRONT
MPVR00936	SKIRT, FLAP, REAR
1069835	CORD, POWER, CHARGER, 120V [NA]
MECB01378	CORD, POWER, CHARGER, 100V [JP]

SERVICE PARTS	
PART NO.	DESCRIPTION
1065086	BATTERY, AGM, 12VDC 50AH/C20
RTRT00039	WHEEL, REAR
RTRT00040	CASTER, FRONT
MECE00020	CIRCUITBOARD, PANL, TOUCH
MECE00025	CIRCUITBOARD, MAIN [NA]
MECE00878	CIRCUITBOARD, MAIN [JP Model]
RTRT00011	WHEEL, BMPR
MEVR00039	FUSE, 020A, MAIN CARD
MECE00023	WIRE ASSY, TOUCH
MPVR04693	STRAP, STATIC
PMVR00438	GUIDE ASSY, ACTUATOR
MOCC00035	MOTOR, SHAKR
MOCC00036	MOTOR, VACUUM
MOCC00033	MOTOR, BRUSH, MAIN
MOCC00037	MOTOR, BRUSH, SIDE
MTIG00002	GEAR, MOTOR, SIDE BRUSH
MEVR01660	CARBON BRUSH, MOTOR [MOCC00033]
MEVR86071	CARBON BRUSH, MOTOR [MOCC00037]
MPVR02939	STRAP, BATTERY
MEVR00039	FUSE, 020A, MAIN CARD [NA Model]
MEVR02660	FUSE, 020A, MAIN CARD [JP Model]
MEVR01986	FUSE, 01.25A, CHRGR [NA Model]
MEVR00150	FUSE 2.5 A 250V 5X20
MEVR04016	FUSE T6,3A, SIDE BRUSH [JP Model]
MEVR02825	FUSE T5A 32V, FAN [JP Model]
MTCG00019	BELT, BRUSH, MAIN
MOCC00034	ACTUATOR, BRUSH
MPVR01708	GASKET KIT, HPPR [3 PC]
GUGO00414	GASKET SHAKER FRAME
MPVR00931	GASKET, FLTR
CUVR46942	BEARING, BRUSH, MAIN
CUVR00164	BEARING

PARTS LIST

FRAME AND HOPPER GROUP



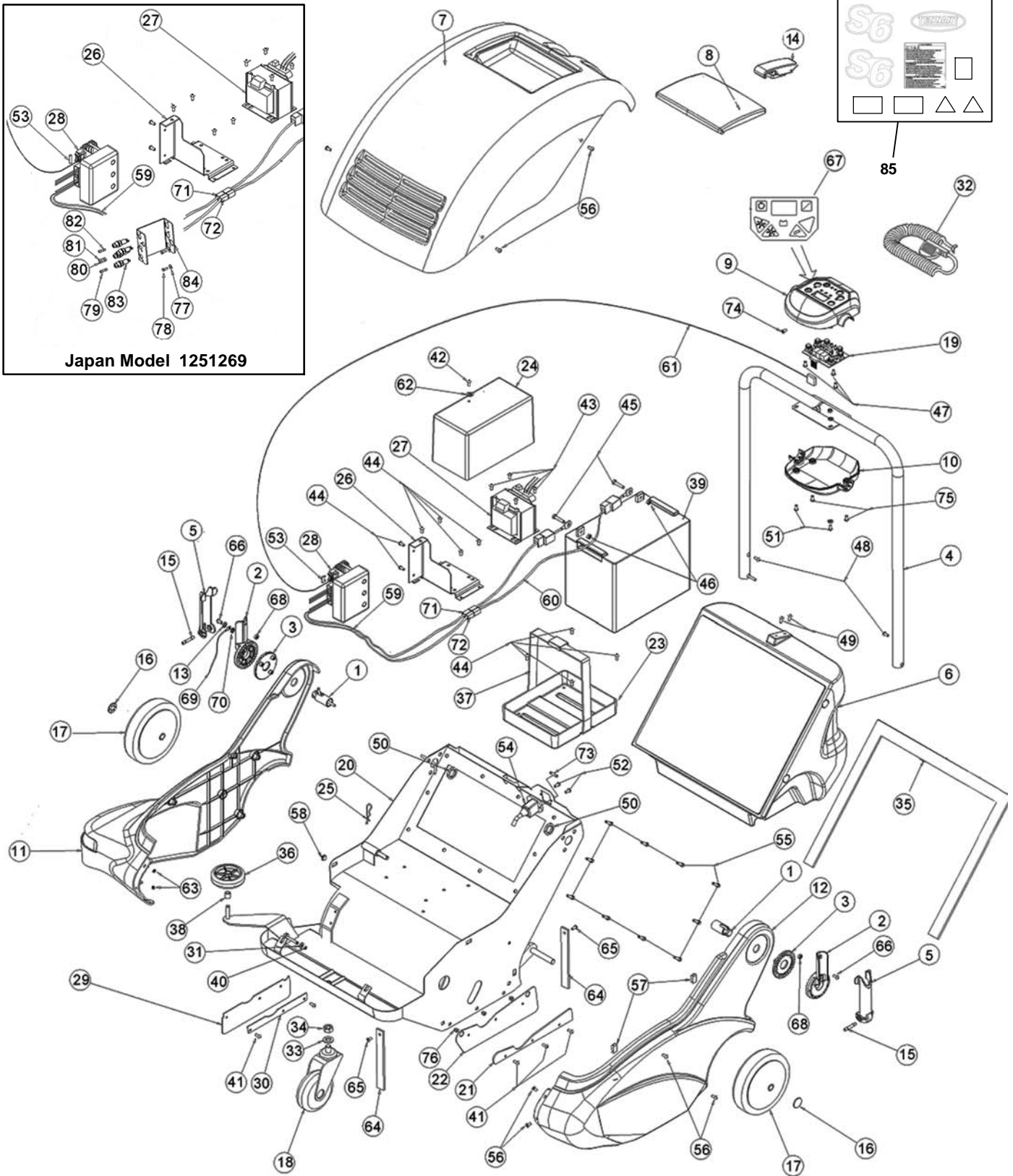
Japan Model 1251269

FRAME AND HOPPER GROUP

Ref.	Part No.	Serial Number	Description	Qty.
1	LAFN01223	(125126x- 00001) PIN, HANDLE, ROTATION	2
2	MPVR00914	(125126x- 00001) CLAMP, LOCK, HANDLE [SERRATED]	2
3	MPVR00915	(125126x- 00001) PAD [SERRATED, HANDLE LOCK]	2
4	LAFN06583	(125126x- 00001) HANDLE SILVER 460 + HANDLES	1
5	MPVR00917	(125126x- 00001) LEVER, LOCK, HANDLE	2
6	MPVR05160	(125126x- 00001) HOPPER ASSY	1
7,8	MPVR12648	(125126x- 00001) COVER ASSY, FRONT [S6]	1
9	MPVR00926	(125126x- 00001) INSTR.PANEL UPPER	1
10	MPVR00927	(125126x- 00001) HOUSING, CNTRL, BOTTOM	1
11	MPVR00928	(125126x- 00001) COVER, SIDE, RIGHT [S6]	1
12	MPVR00929	(125126x- 00001) COVER, SIDE, LEFT [S6]	1
13	VTRS03924	(125126x- 00001) WASHER, LOCK	1
14	CHVR28735	(125126x- 00001) LATCH [S6]	1
15	VTVR00304	(125126x- 00001) PLUG UNI/N 22338 D.6 L=40	2
16	VTVR01684	(125126x- 00001) CLIP, RETAINING	2
17	RTRT00039	(125126x- 00001) WHEEL, REAR	2
18	RTRT00040	(125126x- 00001) CASTER, FRONT	1
19	MECE00020	(125126x- 00001) CIRCUITBOARD, PANL, TOUCH	1
20	LAFN01219	(125126x- 00001) FRAME	1
21	LAFN01235	(125126x- 00001) PLATE, SKIRT, LEFT SIDE	1
22	MPVR00938	(125126x- 00001) SKIRT, FLAP, LH	1
23	MPVR05106	(125126x- 00001) TRAY, BATTERY	1
24	MPVR05105	(125126x- 00001) COVER [ELECTRONICS]	1
25	VTVR47052	(125126x- 00001) PIN, ACTUATOR, MOTOR	1
26	LAFN06585	(1251268- 00001) BRACKET, POWER CARD	1
27	MECE00408	(1251268- 00001) TRANSFORMER, W/ WIRE HARNESS [NA]	1
27	MECE00440	(1251269- 00001) TRANSFORMER, 100VAC, W/ WIRE HARNESS [JPN]	1
28	MECE00025	(1251268- 00001) CIRCUITBOARD, MAIN [NA]	1
28	MECE00878	(1251269- 00001) CIRCUITBOARD, MAIN [JP]	1
29	MPVR00937	(125126x- 00001) SKIRT, FLAP, RH	1
30	LAFN01234	(125126x- 00001) PLATE, SKIRT, RH SIDE	1
31	VTRS00503	(125126x- 00001) WASHER, D. 6	1
32	1069835	(1251268- 00001) CORD, POWER, CHRGR, 120VAC [NA]	1
32	MECB01378	(1251269- 00001) CORD, POWER, CHRGR, 100VAC [JPN]	1
33	VTRS00506	(125126x- 00001) WASHER D.12 UNI 6592	1
34	VTDD00012	(125126x- 00001) VR, NUT, M12	1
35	MPVR01708	(125126x- 00001) GASKET KIT, HPPR [3 PC]	1
36	RTRT00011	(125126x- 00001) WHEEL, BMPR	1
37	MPVR02939	(125126x- 00001) STRAP, BATTERY	2
38	LAFN75911	(125126x- 00001) SPACER, D.12 H.7.	1
39	1065086	(125126x- 00001) BATTERY, AGM, 12VDC 50AH/C20	1
40	VTAE48552	(125126x- 00001) RING, RETAINING [D.6 UNI 7435]	1
41	897150	(125126x- 00001) SCREW, TC, M4X12, ZN	5
42	VTVT00003	(125126x- 00001) SCREW, HEX, M4 X 0.70 X 12	1
43	VTVT72043	(125126x- 00001) SCREW	4
44	VTVT00003	(125126x- 00001) SCREW, HEX, M4 X 0.70 X 12	10
45	VTVT00104	(125126x- 00001) SCREW TE UNI 5739 6X18 ZB	2
46	VTDD00482	(125126x- 00001) VR, NUT, M6, PL [UNI 5588]	2
47	VTVT00098	(125126x- 00001) SCREW	3
48	VTVT00993	(125126x- 00001) VR, SCREW, M5X0.08	2
49	VTVT00075	(125126x- 00001) SCREW	2
50	LAFN06270	(125126x- 00001) NUT	2

PARTS LIST

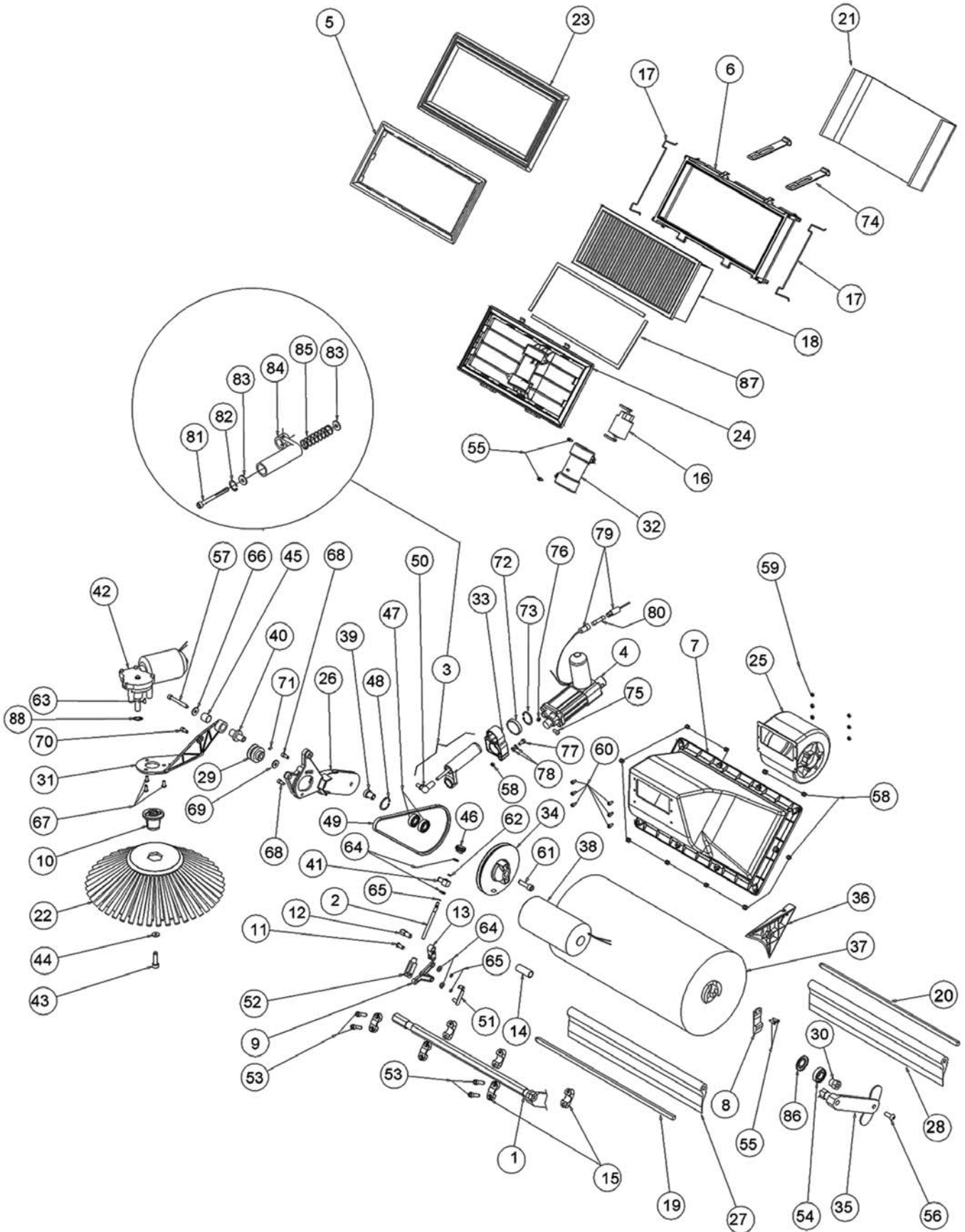
FRAME AND HOPPER GROUP - Continued



FRAME AND HOPPER GROUP - Continued

Ref.	Part No.	Serial Number	Description	Qty.
51	VTVT15961	(125126x- 00001) SCREW, M5X16, TCB, TC, UNI7687	2
52	VTVT00329	(125126x- 00001) SCREW	2
53	MEVR00039	(1251268- 00001) FUSE, 020A, MAIN CARD [NA]	1
53	MEVR02660	(1251269- 00001) FUSE, 020A, MAIN CARD [JP]	1
54	MEVR01930	(125126x- 00001) CONNECTOR, PLUG, CHRGR	1
55	VTVT83145	(125126x- 00001) SCREW TSCE UNI 5933 5X15 ZB	11
56	VTVT75726	(125126x- 00001) SCREW	4
57	MLML00001	(125126x- 00001) CLIP, SPRING	4
58	VTDD00501	(125126x- 00001) VR, NUT, M6, SQ CLIP	4
59	MECE00026	(1251268- 00001) HARNESS, CHRGR, W/ PLUG [NA]	1
59	MECB02177	(1251269- 00001) HARNESS, CHRGR, W/ PLUG [JP]	1
60	MECB00924	(125126x- 00001) HARNESS, BATTERY	1
61	MECE00023	(125126x- 00001) WIRE ASSY, TOUCH	1
62	VTRS15959	(125126x- 00001) WASHER, 4 X 12	1
63	VTDD00491	(125126x- 00001) NUT, M6	2
64	MPVR04693	(125126x- 00001) STRAP, STATIC	2
65	VTVT62920	(125126x- 00001) SCREW, HEX, M6 X 1.00 X 16, SS	2
66	VTVT00306	(125126x- 00001) SCREW TSPEI M5x12 UNI5933	2
67	ETET00146	(125126x- 00001) LABEL, TOUCH PANL	1
68	VTDD01678	(125126x- 00001) VR, NUT, M5	2
69	MECB00971	(125126x- 00001) WIRE ASSY	1
70	VTRS03924	(125126x- 00001) WASHER, LOCK	1
71	12828	(125126x- 00001) CONNECTOR, CABLE, BLK, 1 WIRE	1
72	12827	(125126x- 00001) CONNECTOR, CABLE, RED, 1 WIRE	1
73	MEVR01986	(1251268- 00001) FUSE, 01.25A, CHRGR [S6 NA]	1
73	MEVR00150	(1251269- 00001) FUSE 2.5 A 250V 5X20 [S6 JPN]	1
74	VTVT00724	(125126x- 00001) VR, SCREW, M2, 9- 9, 5	1
75	VTVT00892	(125126x- 00001) VR, SCREW, 5- 20, ZN	2
76	VTVR47015	(125126x- 00001) PLASTIC INSERT (MEDREVITE)	5
77	VTRS15959	(1251269- 00001) WASHER UNI 6593 4X12X1,5 ZB [JP]	2
78	VTVT00003	(1251269- 00001) SCREW TE M 4X 12 ZC. UNI 5739 [JP]	2
79	MEVR00150	(1251269- 00001) FUSE 2.5 A 250V 5X20 [JP]	1
80	MEVR00150	(1251269- 00001) FUSE 2.5 A 250V 5X20 [JP]	1
81	MEVR02825	(1251269- 00001) FUSE 5X20 5A T [JP]	1
82	MEVR04016	(1251269- 00001) FUSE 5X20 6.3A T [JP]	1
83	MEVR02480	(1251269- 00001) FUSE HOLDER 5X20 IPS7 250VAC 6.3/10A [JP]	1
84	LAFN11629	(1251269- 00001) BRACKET, FUSE [JP]	4
85	KTRI06134	(125126x- 00001) LABEL KIT, S6	1

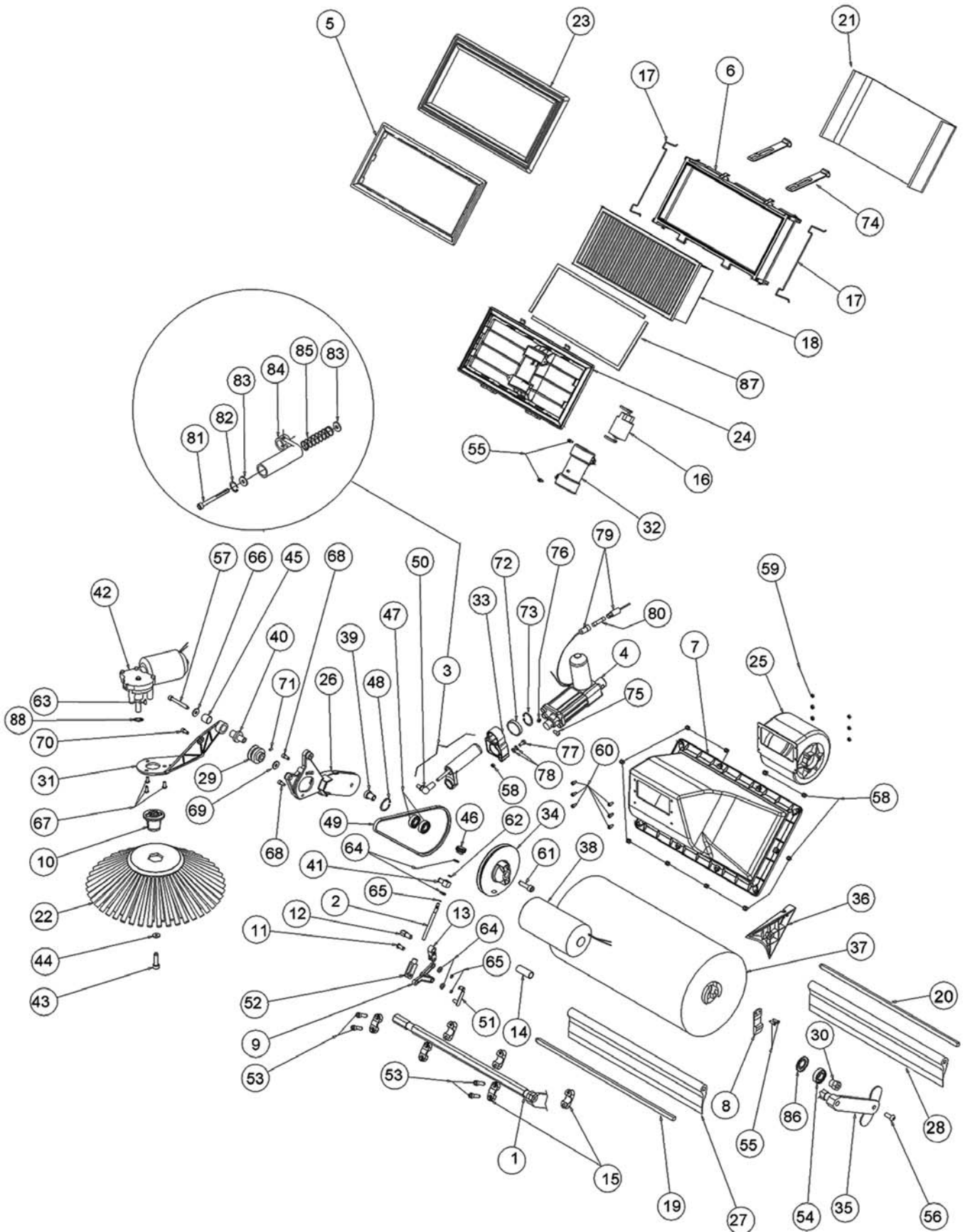
BRUSH AND FILTER GROUP



BRUSH AND FILTER GROUP

Ref.	Part No.	Serial Number	Description	Qty.
1	ALTR00041	(125126x- 00001) SHAFT, DRIVE, MAIN BRUSH	1
2	ALTR00042	(125126x- 00001) ROD, ADJMT	1
3	PMVR00438	(125126x- 00001) GUIDE ASSY, ACTUATOR	1
4	MOCC00034	(125126x- 00001) ACTUATOR, BRUSH	1
5	MPVR00918	(125126x- 00001) PLATE, FRAME, FLTR	1
6	MPVR00919	(125126x- 00001) FRAME, FLTR	1
7	MPVR00920	(125126x- 00001) HOUSING, BLOWER	1
8	PMVR00333	(125126x- 00001) RETAINER, LOCKING, MAIN BRUSH	1
9	MPVR00934	(125126x- 00001) ARM, DRIVING, SIDE BRUSH	1
10	MPVR01707	(125126x- 00001) HUB, BRUSH, SIDE, DRIVE	1
11	MPVR00932	(125126x- 00001) PIN	1
12	LAFN01227	(125126x- 00001) PIN, ARM, DRIVING	1
13	MPVR00916	(125126x- 00001) ROD, CONNECTING	1
14	LAFN01221	(125126x- 00001) SPACER, SKIRT	1
15	MPVR00807	(125126x- 00001) SUPPORT KIT, SHAFT, TOP & BOTTOM	3
16	MOCC00035	(125126x- 00001) MOTOR, SHAKR	1
17	MLML00040	(125126x- 00001) RETAINER, FLTR, FRAME	2
18	FTDP00013	(125126x- 00001) FILTER, PANEL, PAPER	1
19	LAFN01232	(125126x- 00001) PIN, HOLDER, FRONT SKIRT	1
20	LAFN01233	(125126x- 00001) PIN, HOLDER, REAR SKIRT	1
21	FTDP00014	(125126x- 00001) FILTER, PRE- FILTER	1
22	SPPV00303	(125126x- 00001) BRUSH, SIDE, STD	1
23	MPVR00931	(125126x- 00001) GASKET, FLTR	1
24	MPVR00933	(125126x- 00001) FRAME, SHAKR	1
25	MOCC00036	(125126x- 00001) MOTOR, VACUUM	1
26	MFVR00025	(125126x- 00001) ARM, BRUSH, MAIN	1
27	MPVR00935	(125126x- 00001) SKIRT, FLAP, FRONT	1
28	MPVR00936	(125126x- 00001) SKIRT, FLAP, REAR	1
29	MTPL00038	(125126x- 00001) PULLEY	1
30	LAFN01230	(125126x- 00001) PIN	1
31	LAFN15263	(125126x- 00001) ARM, BRUSH, SIDE	1
32	MPVR00925	(125126x- 00001) COVER, MOTOR, SHAKR	1
33	MPVR00943	(125126x- 00001) SPRING, GUIDE	1
34	MTPL00039	(125126x- 00001) PULLEY CENTRAL BRUSH CONTROL	1
35	MFVR00026	(125126x- 00001) ARM, BRUSH, MAIN	1
36	MPVR00940	(125126x- 00001) CONVEYOR	1
37	PMVR01121	(125126x- 00001) BRUSH, MAIN, W/LOCKING RETAINER	1
38	MOCC00033	(125126x- 00001) MOTOR, BRUSH, MAIN	1
38	MEVR01660	(125126x- 00001) CARBON BRUSH, MOTOR [MOCC00033]	2
39	LAFN01229	(125126x- 00001) PIN, PULLEY	1
40	LAFN01228	(125126x- 00001) PIN, ROTATION	1
41	LAFN01220	(125126x- 00001) JOINT [ARTICULATED, ADJUSTOR ROD]	1
42	MOCC00037	(125126x- 00001) MOTOR, BRUSH, SIDE	1
42	MEVR86071	(125126x- 00001) CARBON BRUSH, MOTOR [MOCC00037]	2
42	MTIG00002	(125126x- 00001) GEAR, MOTOR, SIDE BRUSH	1
43	604209	(125126x- 00001) SCREW, M4X16	1
44	897589	(125126x- 00001) WASHER, UNI6592, M4X16, ZB	1
45	LAFN06774	(125126x- 00001) WASHER	1
46	VTVR00303	(125126x- 00001) KNOB	1
47	CUVR46942	(125126x- 00001) BEARING, BRUSH, MAIN	2
48	VTAE00010	(125126x- 00001) RING, SNAP	1
49	MTCG00019	(125126x- 00001) BELT, BRUSH, MAIN	1
50	VTVR45280	(125126x- 00001) BALLJOINT	1

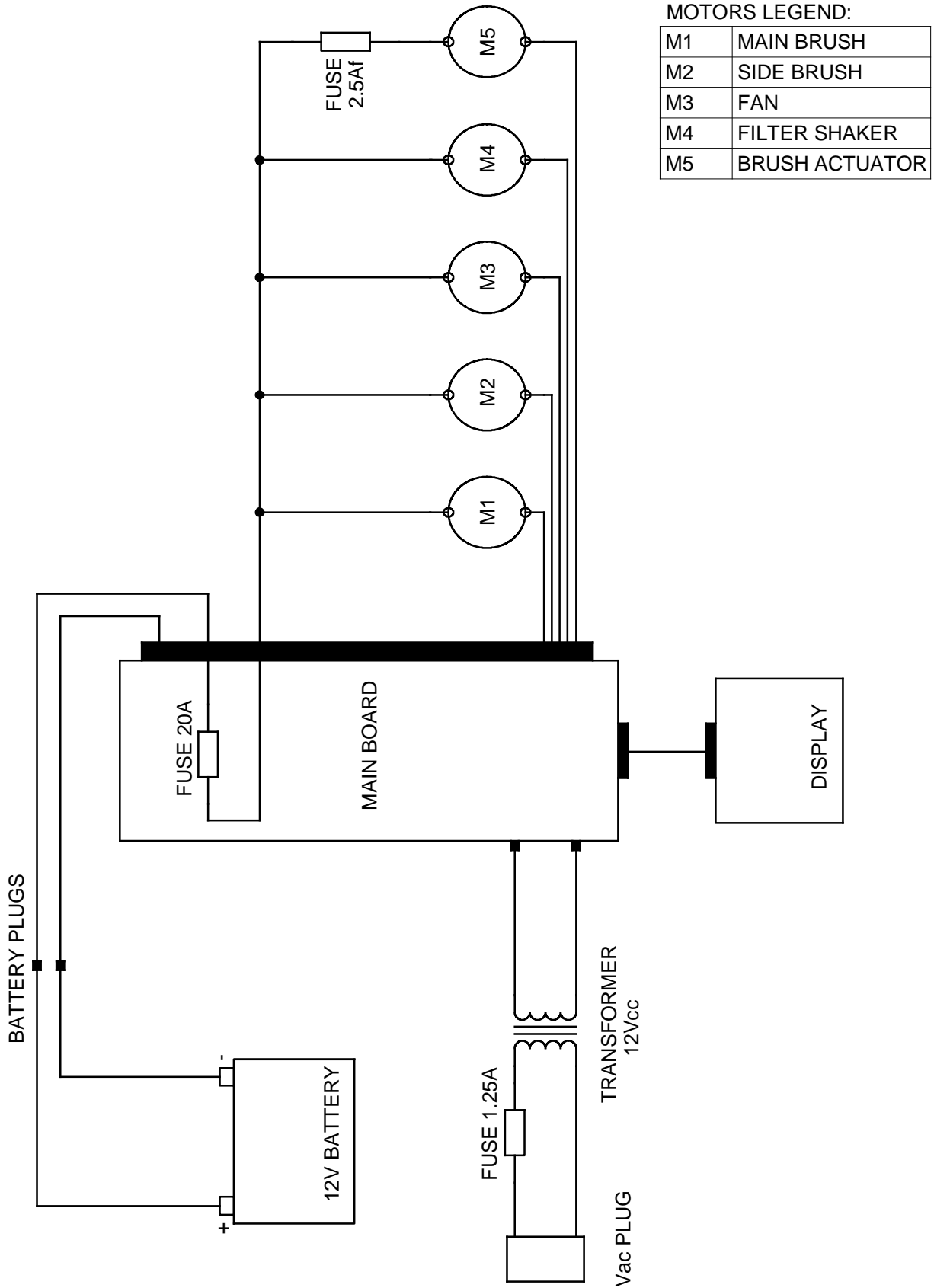
BRUSH AND FILTER GROUP - Continued



BRUSH AND FILTER GROUP - Continued

Ref.	Part No.	Serial Number	Description	Qty.
51	CMCV00009	(125126x- 00001) ARM	1
52	CMCV00006	(125126x- 00001) LINK	1
53	VTVT06237	(125126x- 00001) SCREW, 6 X 20 [UNI 5931]	4
54	CUVR00164	(125126x- 00001) BEARING	1
55	VTVT00099	(125126x- 00001) SCREW, 3.9 X 13 [UNI 6954]	2
56	VTVT87271	(125126x- 00001) SCREW, BTN, M8 X 1.25 X 16	1
57	VTVT00063	(125126x- 00001) SCREW TCCE UNI 5931 6X50 ZB	1
58	VTDD00017	(125126x- 00001) NUT AUTOBLOCK DIN 985 M5	12
59	VTDD00009	(125126x- 00001) NUT AUTOBLOCK DIN 985 M4 BASSO	6
60	VTVT00003	(125126x- 00001) SCREW, HEX, M4 X 0.70 X 12	6
61	VTVT01354	(125126x- 00001) SCREW TCCE UNI 5931 8X35 ZB	1
62	GUGO00288	(125126x- 00001) WASHER	1
63	VTVR75730	(125126x- 00001) VR, KEY, WOODRUFF, 03MM X 03MM, 3.7MML	1
64	VTRS00011	(125126x- 00001) WASHER, FLAT, 6 X 12	4
65	VTAE48552	(125126x- 00001) RING, RETAINING [D.6 UNI 7435]	3
66	VTRS63242	(125126x- 00001) WASHER, FLAT, 6 X 24	1
67	VTVT62920	(125126x- 00001) SCREW, HEX, M6 X 1.00 X 16, SS	3
68	VTVT00005	(125126x- 00001) SCREW, HEX, M5 X 0.80 X 12	1
69	VTRS00029	(125126x- 00001) WASHER	1
70	VTVT00005	(125126x- 00001) SCREW, HEX, M5 X 0.80 X 12	1
71	VTVT00989	(125126x- 00001) GRUB SCREW 4X8	1
72	LAFN06775	(125126x- 00001) WASHER	1
73	VTAE09655	(125126x- 00001) RING, RETAINING, 25MMD, OUTER SNAP	1
74	MPVR04648	(125126x- 00001) LATCH, FLTR, RBR	2
75	VTVT00245	(125126x- 00001) SCREW TE M6X30 UNI 5739	1
76	VTDD00010	(125126x- 00001) VR, NUT, M6 X 1.0	1
77	VTVT12041	(125126x- 00001) SCREW	2
78	VTRS00010	(125126x- 00001) WASHER UNI 6592 5X10 ZB	2
79	MECB00925	(125126x- 00001) VR, FUSE BOX	1
80	MEVR00150	(125126x- 00001) FUSE 2.5 A 250V 5X20	1
81	VTVT37013	(125126x- 00001) SCREW TE M 6X100 UNI 5737	1
82	VTAE00009	(125126x- 00001) SEEGER INTERNAL DIN 472 D.20	1
83	LAFN00124	(125126x- 00001) CYLINDAR BAR, BUSHING	2
84	LAFN01238	(125126x- 00001) GUIDE SPRING CASE	1
85	MLML45281	(125126x- 00001) SPRING CENTRAL BRUSH 1400	1
86	LAFN07372	(125126x- 00001) CAP PROTECTION BEARING	1
87	GUGO00414	(125126x- 00001) GASKET SHAKER FRAME	
88	VTAE87276	(125126x- 00001) SEEGER EXT. D10 DIN471	

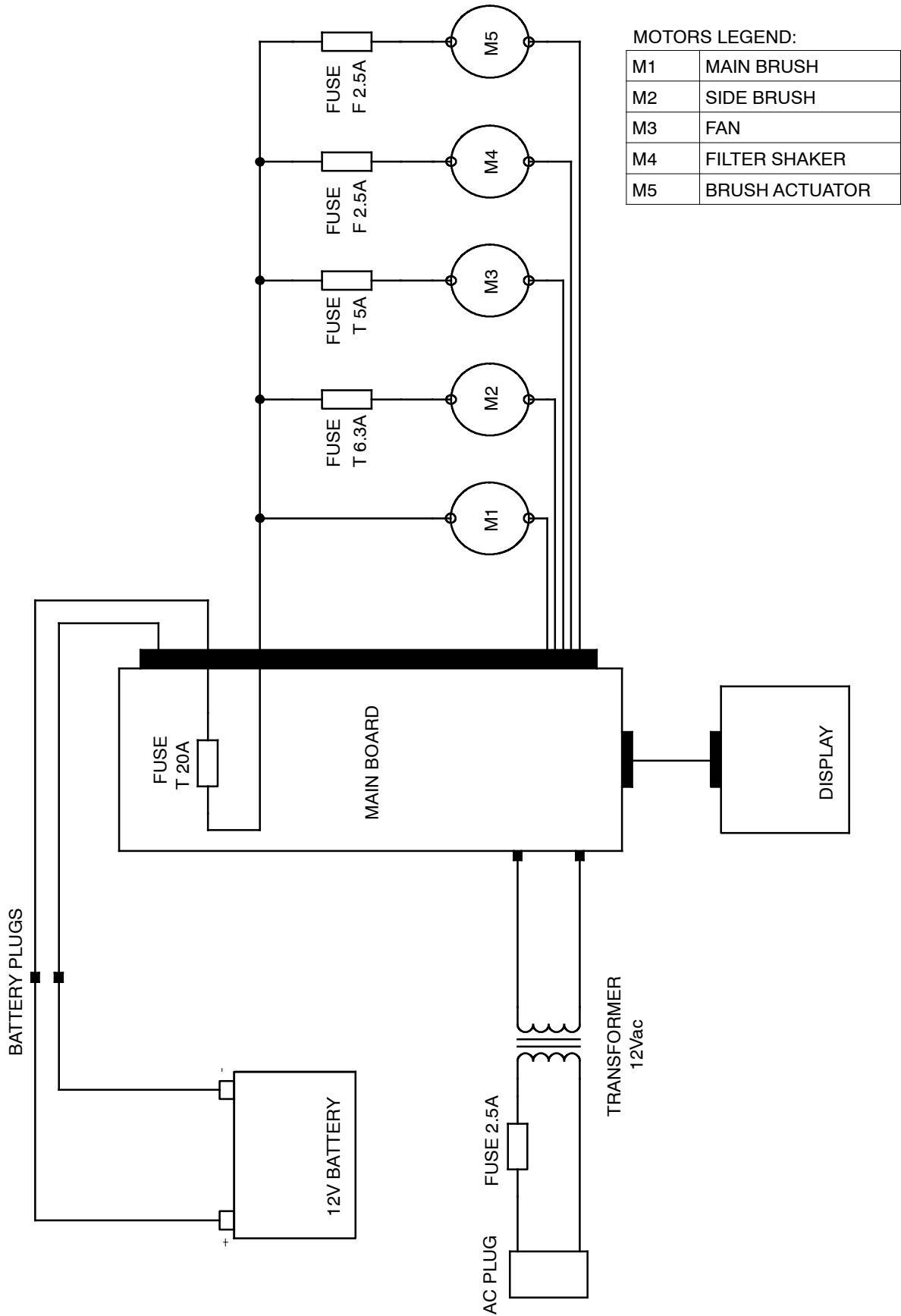
ELECTRICAL DIAGRAM (NA S6 Model 1251268)



MOTORS LEGEND:

M1	MAIN BRUSH
M2	SIDE BRUSH
M3	FAN
M4	FILTER SHAKER
M5	BRUSH ACTUATOR

ELECTRICAL DIAGRAM (S6 Japan Model 1251269)



MOTORS LEGEND:

M1	MAIN BRUSH
M2	SIDE BRUSH
M3	FAN
M4	FILTER SHAKER
M5	BRUSH ACTUATOR