



# SATELIS 50W 75W

## APPLICATIONS

This commercial-grade series is ideal for highways, city streets, large parking lots and area lighting. It comes with a wide choice of configurations, lumen outputs, pole heights, and it's optimized for high efficiency and

## DESCRIPTION

SATELIS meets the lighting requirements for major roads and highways. Equipped with more powerful solar panels and higher capacity lithium battery packs to ensure battery run time, Satelis is the spec-grade LED solar lighting solution for most commercial applications.

## ORDERING INFORMATION

SERIES	WATTAGE	COLOR TEMPERATURE	MOUNTING OPTIONS	FINISH
STLSTD=SATELIS	50=50W 10000 Lumens 75=75W 15000 Lumens	3=3000K 4=4000K 5=5000K 6=5700K	SF=Slip Fitter	GY=Gray BR=Bronze

-  -  -  -

## SPECIFICATION FEATURES



### Powerful Panel & Powerful Lighting

- 2\*130W Dual Panels and 2\*75W Dual lighting head option
- 15,000LM at 200 LM/W highest efficiency in the industry



### Longer Life & Heavy Duty

- Grade A LifePO<sup>4</sup> Battery Pack up to 25V\*90AH, 2000+ full Charging Cycles
- LEVEL 12 Wind Test



### Modular & Customizable Concept

- Modular battery box with fast hooking design and IP68 underground options
- Top mounting or under mounting panel options
- Reduce the construction time for building projects
- TYPE III distribution comes standard. TYPE II and TYPE V are also available.



### Standardized Lighting Design

- Illumination where you need it with scheduled dimming
- Meets IES standards for road illumination
- Solar clean energy solution that also meets street and area light compliances

CATALOG	PROJECT	PREPARED BY	DATE	COMMENTS

## CERTIFICATION DATA



# SATELIS 50W 75W

CATALOG		COMMENTS
PROJECT		
PREPARED BY		
DATE		

## PRODUCT SIZE

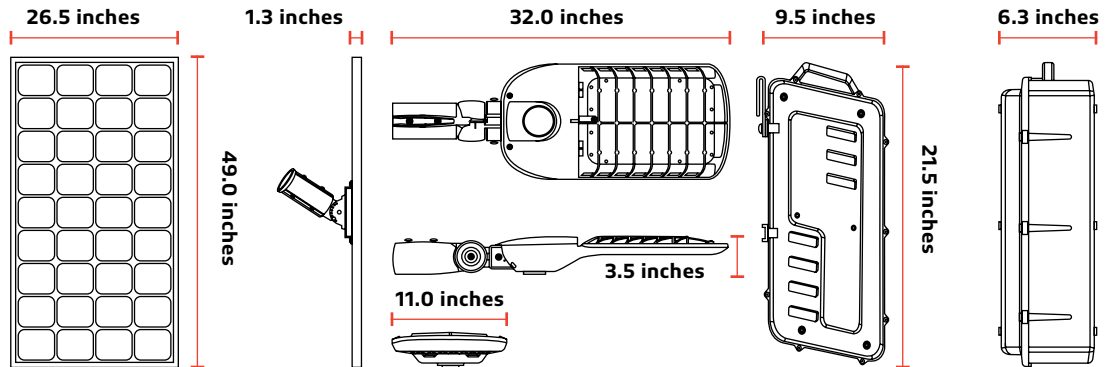
### SATELIS 50W

#### 25V 30AH

- SOLAR PANEL:** 21.1 Lbs
- SOLAR LAMP:** 13.5 Lbs
- BATTERY ASSEMBLY:** 35.2 Lbs
- MOUNTING FASTNER:** 22 Lbs

#### 25V 60AH

- SOLAR PANEL:** 21.1 Lbs
- SOLAR LAMP:** 13.5 Lbs
- BATTERY ASSEMBLY:** 51 Lbs
- MOUNTING FASTNER:** 22 Lbs



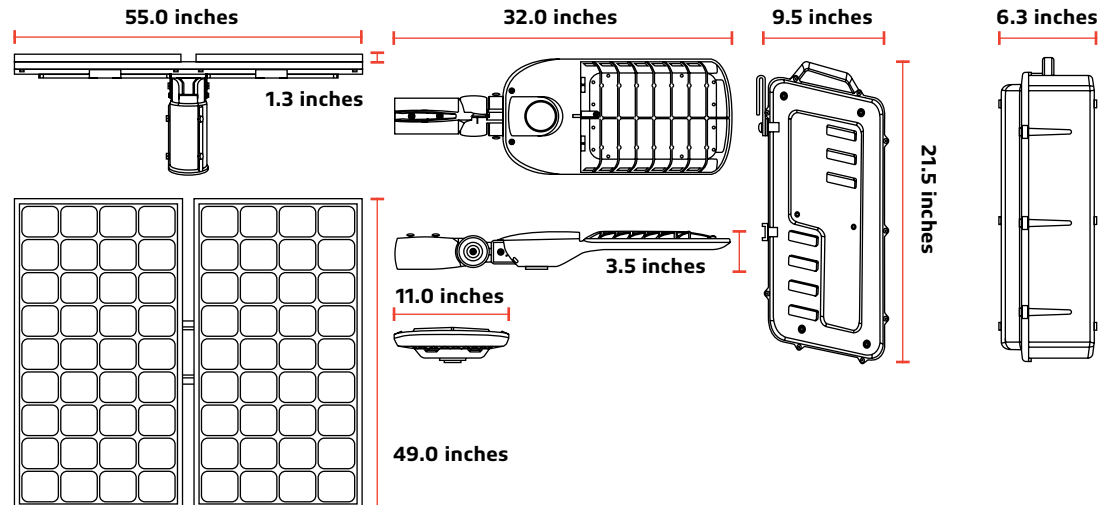
### SATELIS 75W

#### 25V 60AH

- SOLAR PANEL:** 42.2 Lbs
- SOLAR LAMP:** 13.8 Lbs
- BATTERY ASSEMBLY:** 51 Lbs
- MOUNTING FASTNER:** 28.6 Lbs

#### 25V 90AH

- SOLAR PANEL:** 42.2 Lbs
- SOLAR LAMP:** 13.8 Lbs
- BATTERY ASSEMBLY:** 66 Lbs
- MOUNTING FASTNER:** 28.6 Lbs





# SATELIS 50W 75W

CATALOG		COMMENTS
PROJECT		
PREPARED BY		
DATE		

## SPECIFICATIONS

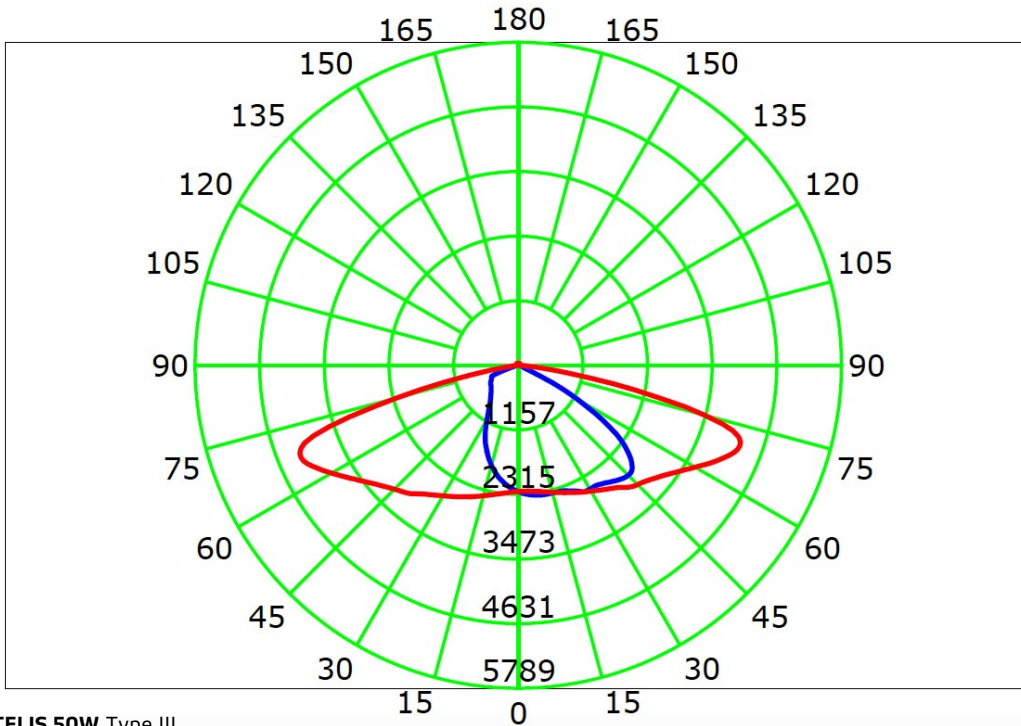
Specification	SATELIS 50W		SATELIS 75W	
LED Nominal Power	50W	50W	75W	75W
Solar Panel	36V 130W	36V 130W	36V 260W	36V 260W
LiFePO <sub>4</sub> Battery	768WH 25.6V 30AH	1,536WH 25.6V 60AH	1,536WH 25.6V 60AH	2,304WH 25.6V 90AH
Weight	91.8Lbs	107.6Lbs	135.6Lbs	150.6Lbs
Lumen Output@5000K	10,000	10,000	15,000	15,000
CRI	> 70 (> 80 Optional)	> 70 (> 80 Optional)	> 70 (> 80 Optional)	> 70 (> 80 Optional)
LED Chip	Lumileds 5050 (215lm-CR>70)	Lumileds 5050 (215lm-CR>70)	Lumileds 5050 (215lm-CR>70)	Lumileds 5050 (215lm-CR>70)
EPA	11.3 ft <sup>2</sup>	11.3 ft <sup>2</sup>	18.1 ft <sup>2</sup>	18.1 ft <sup>2</sup>
Waterproof Rate	IP65	IP65	IP65	IP65
Casting	Aluminum	Aluminum	Aluminum	Aluminum
Efficiency@5000K	200lm/W	200lm/W	200lm/W	200lm/W
* Charging Time	6hrs	12hrs	5hrs	9hrs
Operation Mode	Remote control and One-key Setting	Remote control and One-key Setting	Remote control and One-key Setting	Remote control and One-key Setting
Installation Height	15-20 ft	15-20 ft	15-20 ft	15-20 ft
* Operating Temperature	-4 to 122°F	-4 to 122°F	-4 to 122°F	-4 to 122°F
* Charging Temperature	32 °F to 149 °F	32 °F to 149 °F	32 °F to 149 °F	32 °F to 149 °F
<b>Maximum Autonomy@Full Power</b>				
Motion Sensor Mode	<b>40%-100%</b> 63hrs <b>20%-80%</b> 105hrs	<b>40%-100%</b> 126hrs <b>20%-80%</b> 210hrs	<b>40%-100%</b> 84hrs <b>20%-80%</b> 140hrs	<b>40%-100%</b> 126hrs <b>20%-80%</b> 210hrs
Time Control Mode	<b>Night Owl</b> 38hrs <b>Early Bird</b> 34hrs	<b>Night Owl</b> 76hrs <b>Early Bird</b> 68hrs	<b>Night Owl</b> 50hrs <b>Early Bird</b> 45hrs	<b>Night Owl</b> 75hrs <b>Early Bird</b> 67.5hrs
Constant Mode	<b>100%</b> 15hrs <b>70%</b> 21hrs <b>40%</b> 37hrs	<b>100%</b> 30hrs <b>70%</b> 42hrs <b>40%</b> 74hrs	<b>100%</b> 20hrs <b>70%</b> 28hrs <b>40%</b> 50hrs	<b>100%</b> 30hrs <b>70%</b> 42hrs <b>40%</b> 75hrs

\* The temperature can impact the battery's charging and normal operation. If your place's temperature is under 32°F, we advice you to use the SUNLIKE PRO version to achieve better lighting results.

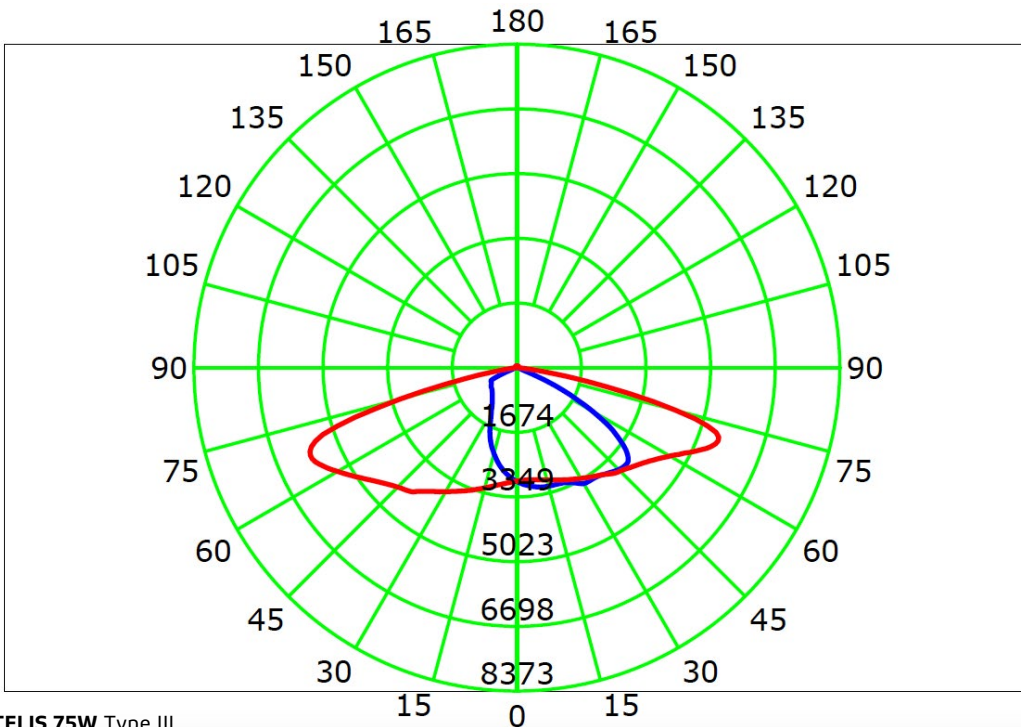
\* The solar charge time data is base on 77 degree F ambient temperature with the panel pointed directly at the solar radiation. The standard radiation value is 1000W/m<sup>2</sup>.

CATALOG	PROJECT	COMMENTS

IES / BEAM



SATELIS 50W Type III



SATELIS 75W Type III

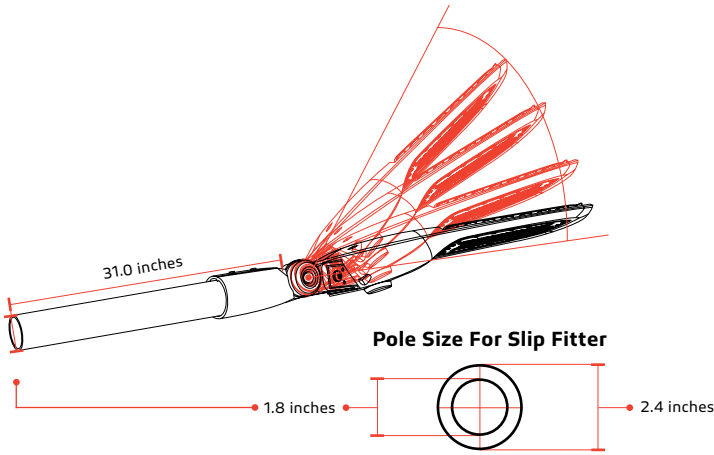


# SATELIS 50W 75W

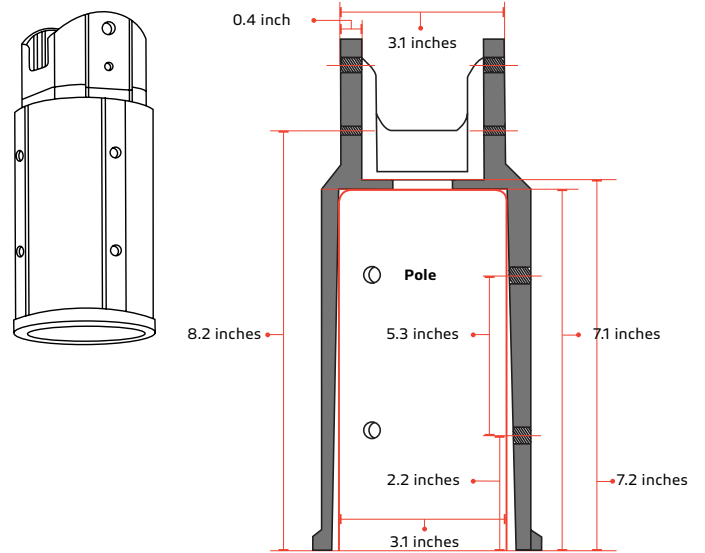
CATALOG		COMMENTS
PROJECT		
PREPARED BY		
DATE		

## INSTALLATION ACCESSORIES

### SLIP FITTER

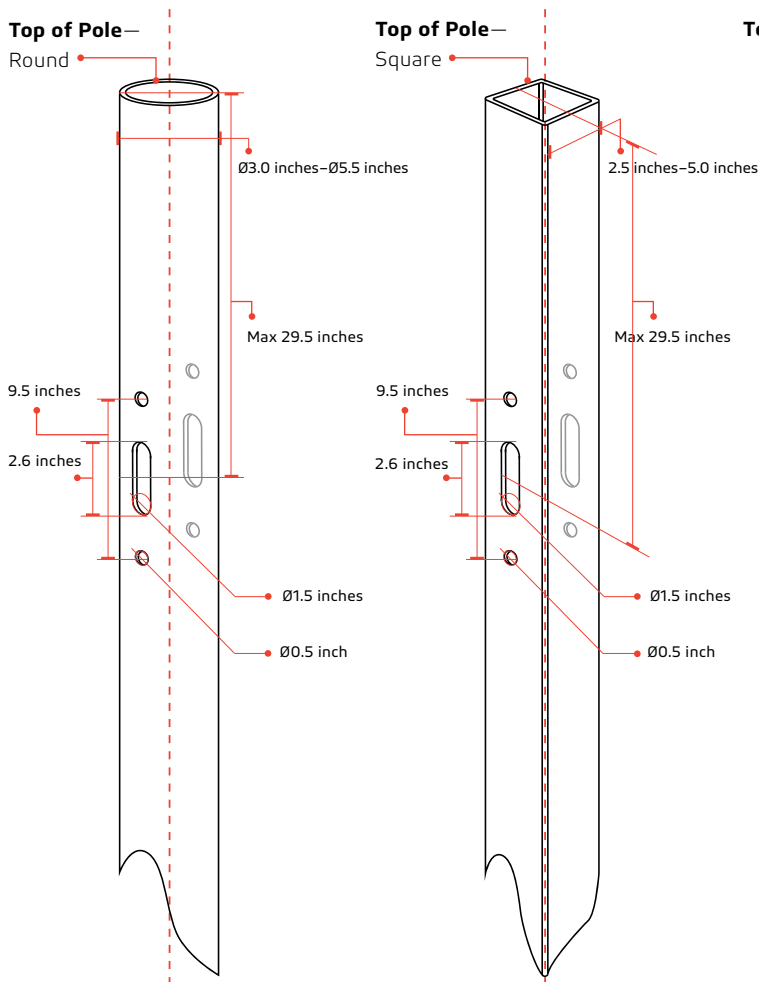


### SOLAR PANEL SUPPORT BASE—CUTAWAY



### POLE ASSEMBLY

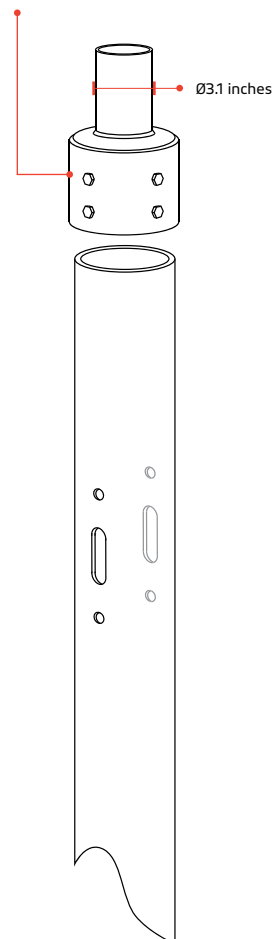
Create 2 holes (diameter 0.5 inch) in the middle of pole, create 1 hole (diameter 1.5 inch, 2.6 inch long) between the 2 holes.



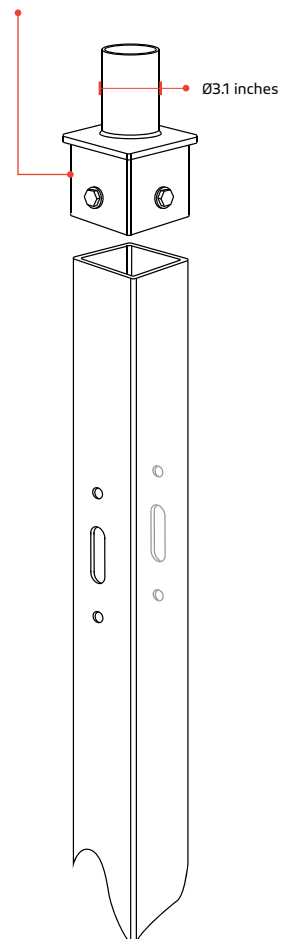
### TENON ADAPTER

If your round pole size is over 3.1 inches, or you need a square pole, please contact the pole manufacturer for the tenon adapter.

#### Tenon Adapter—Round



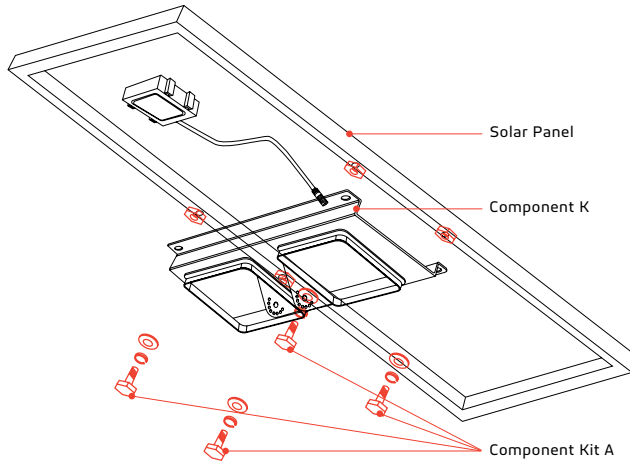
#### Tenon Adapter—Square



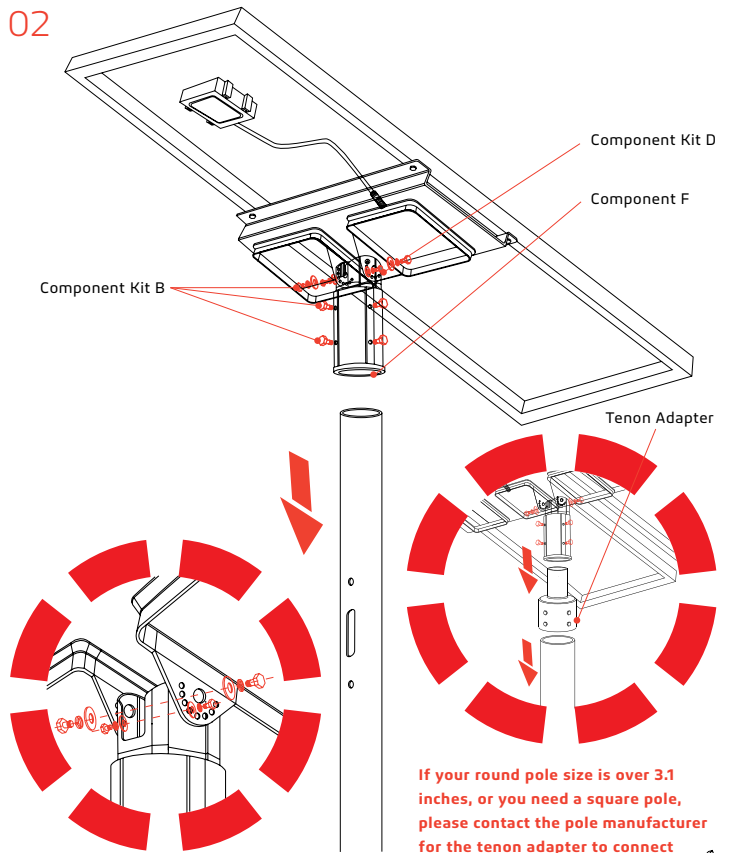
CATALOG		COMMENTS
PROJECT		
PREPARED BY		
DATE		

**SATELIS 50W**

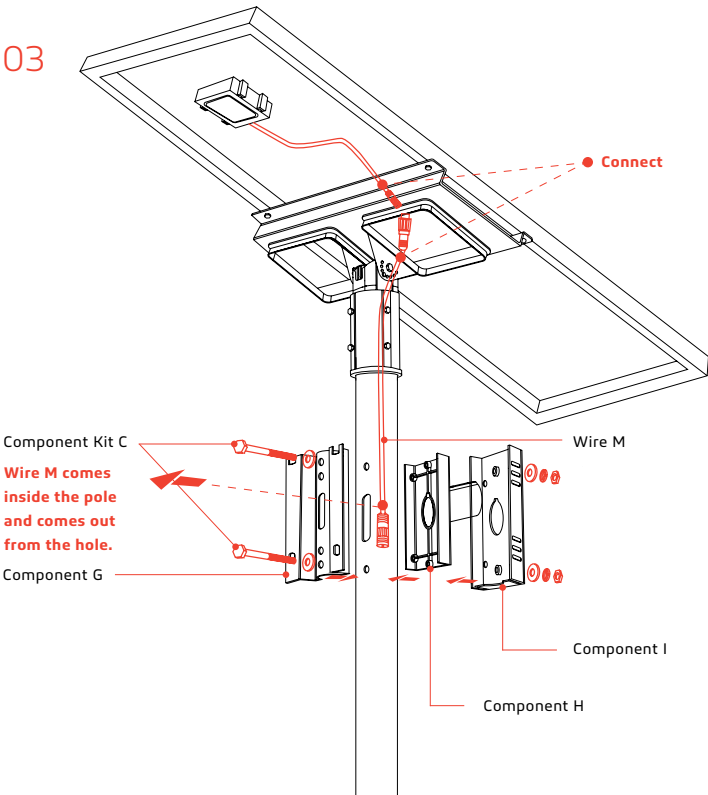
01



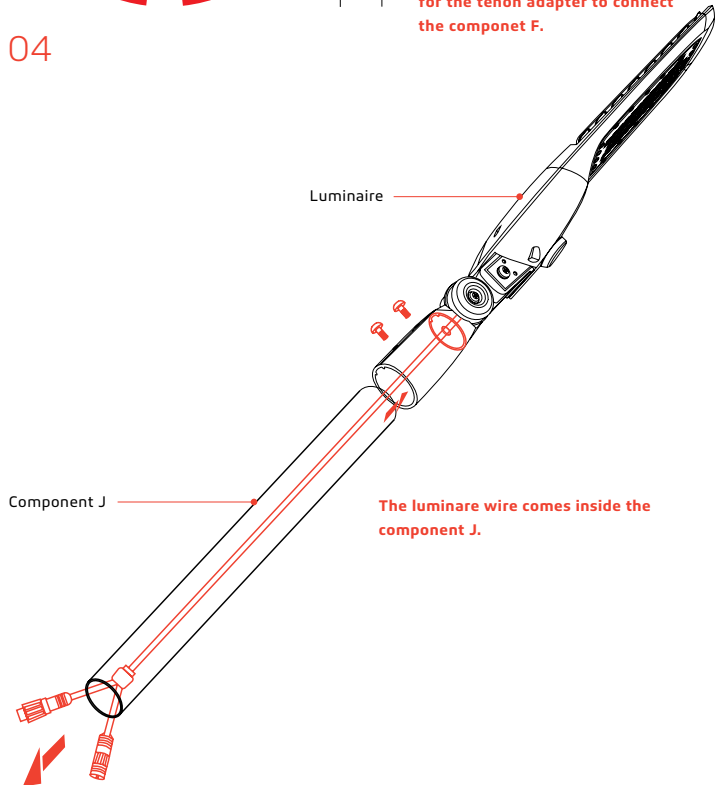
02



03



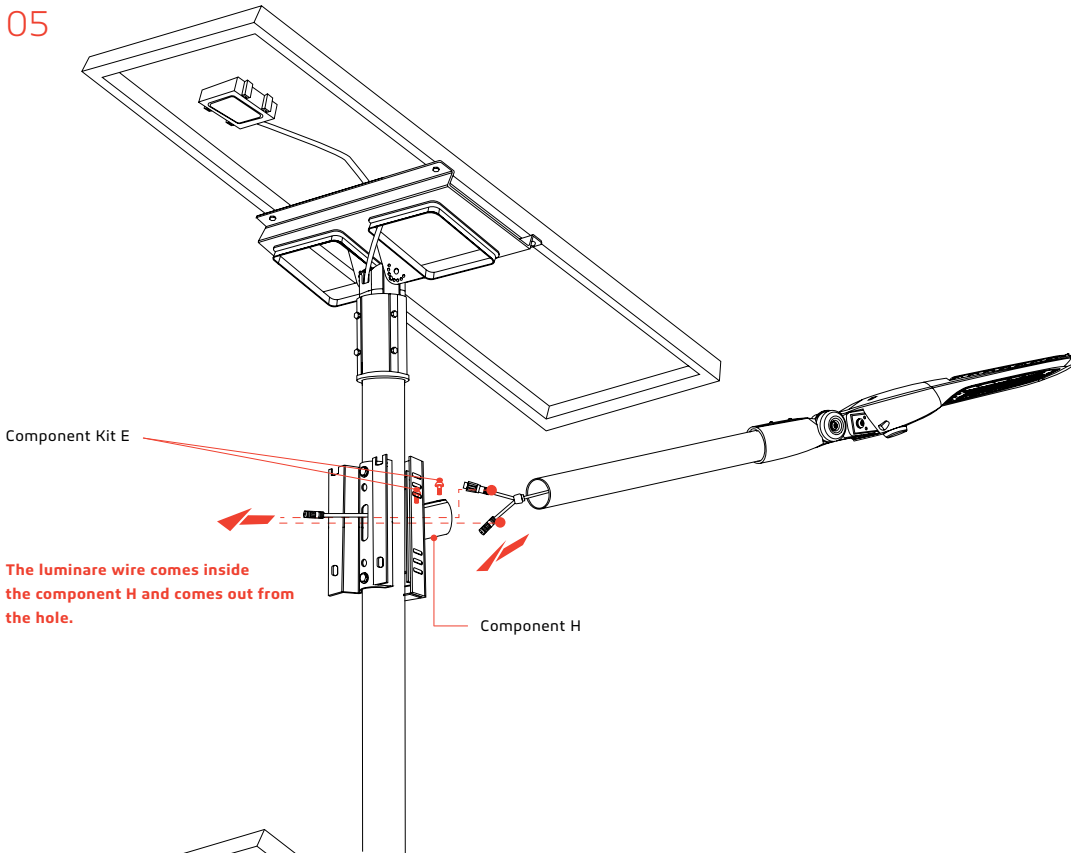
04



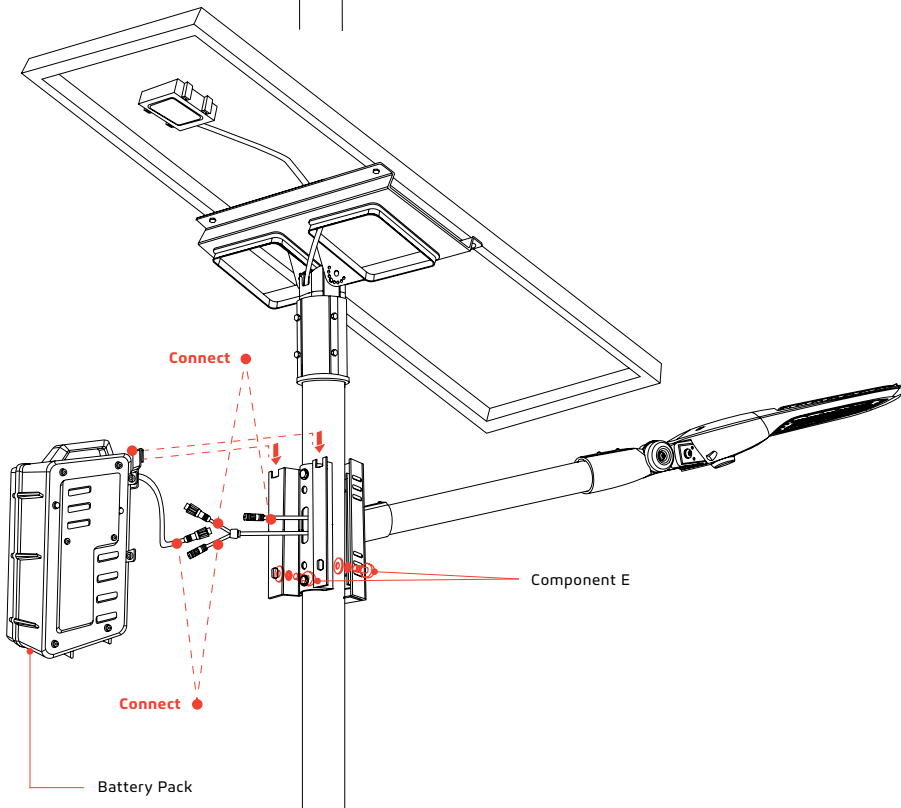
CATALOG		COMMENTS
PROJECT		
PREPARED BY		
DATE		

**SATELIS 50W**

05



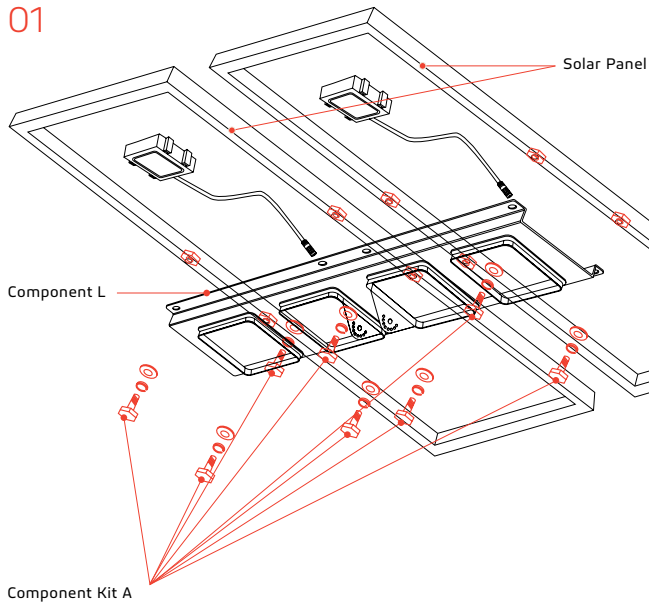
06



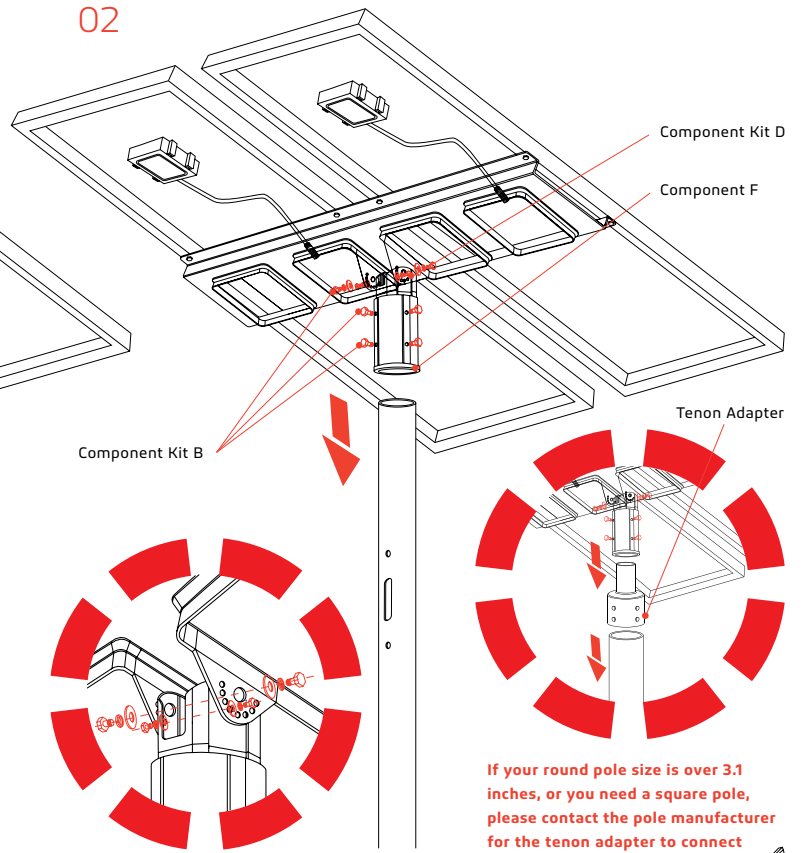
CATALOG		COMMENTS
PROJECT		
PREPARED BY		
DATE		

**SATELIS 75W**

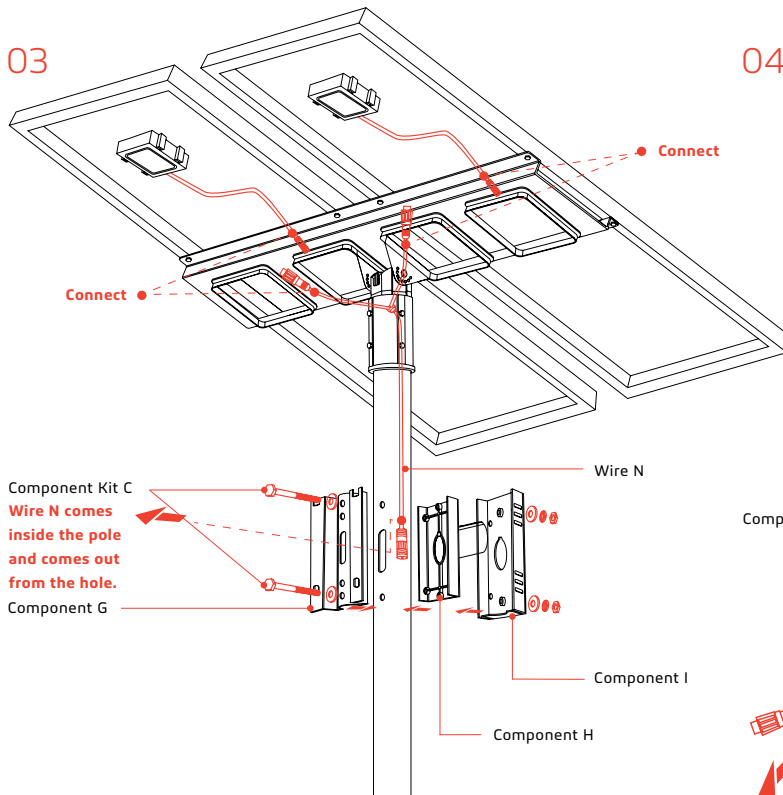
01



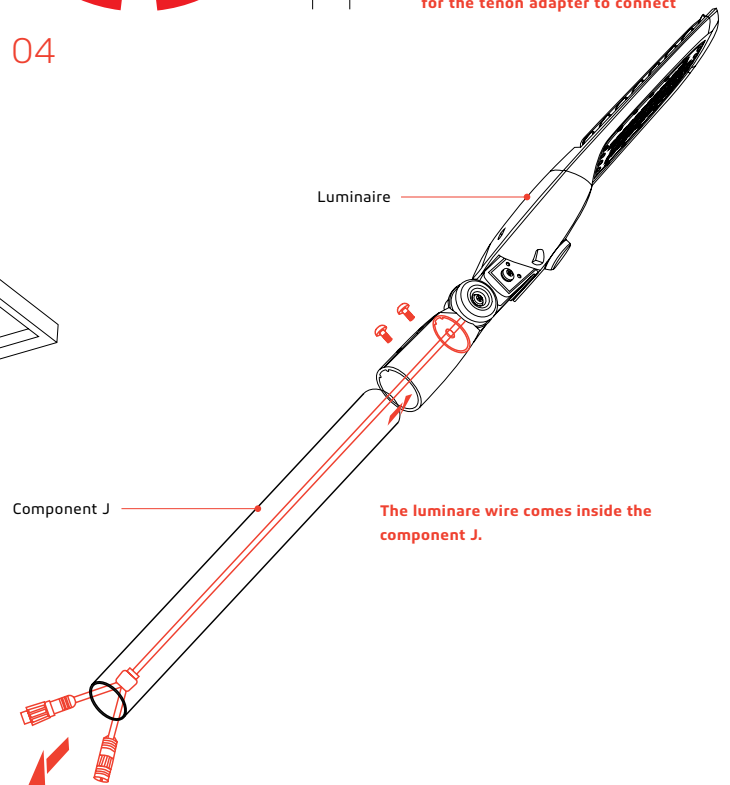
02



03



04

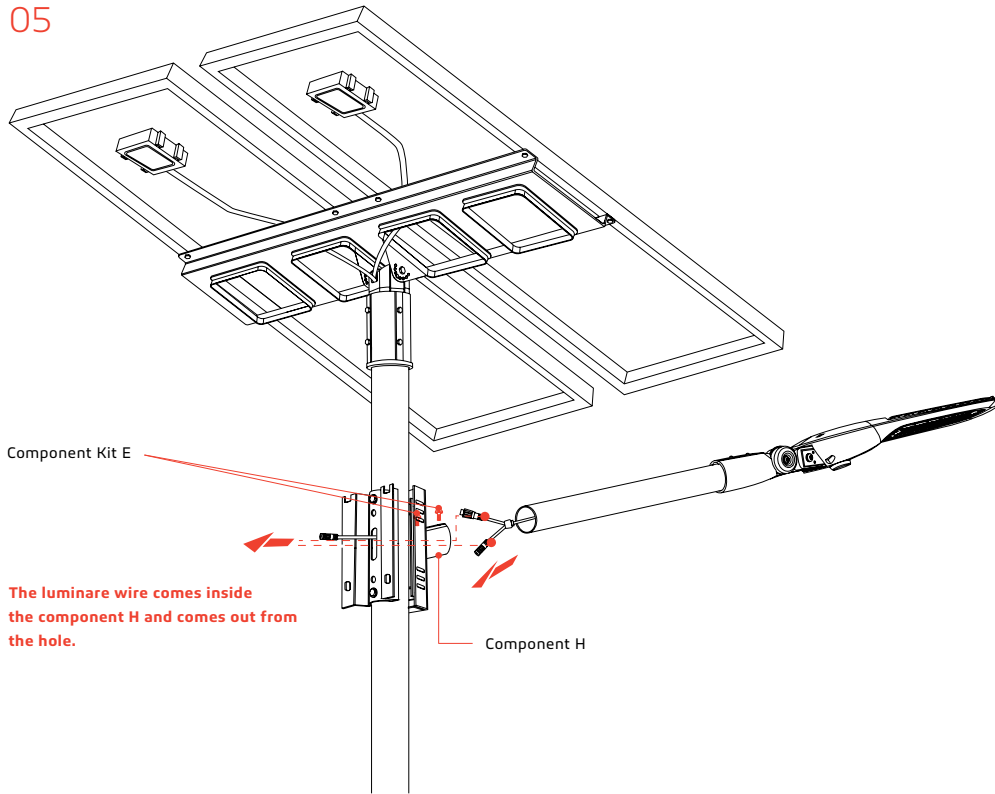




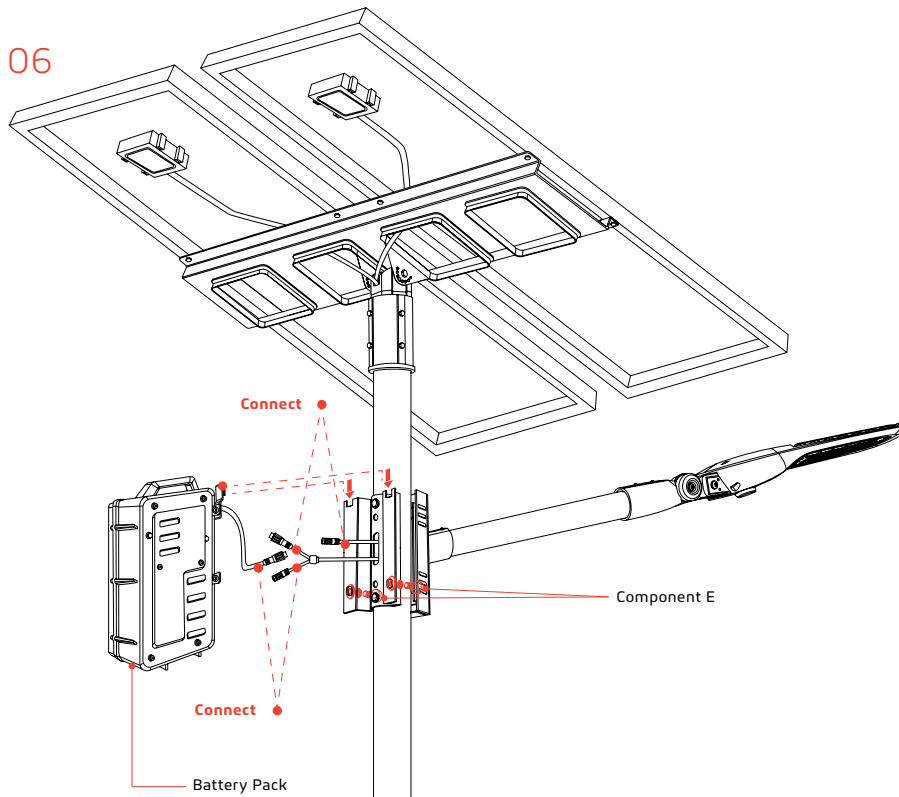
CATALOG		COMMENTS
PROJECT		
PREPARED BY		
DATE		

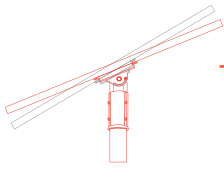
**SATELIS 75W**

05



06





37°- 45°

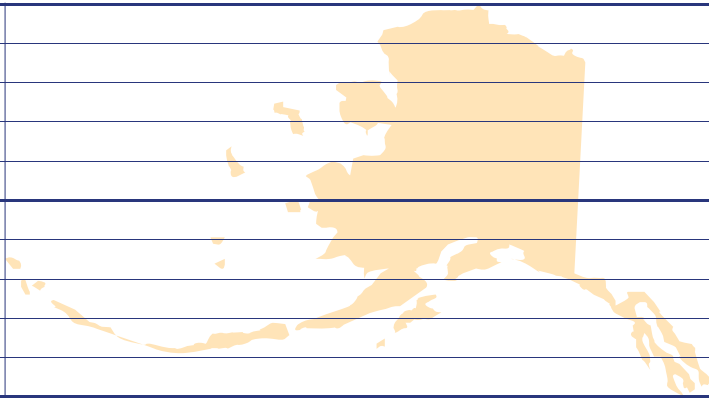
70° N

69° N  
68° N  
67° N  
66° N

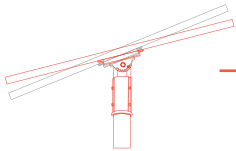
65° N

64° N  
63° N  
62° N  
61° N

60° N



**Alaska**



26°- 37°

49° N

48° N  
47° N  
46° N

45° N

44° N  
43° N  
42° N

41° N

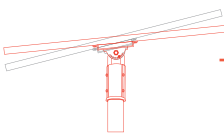
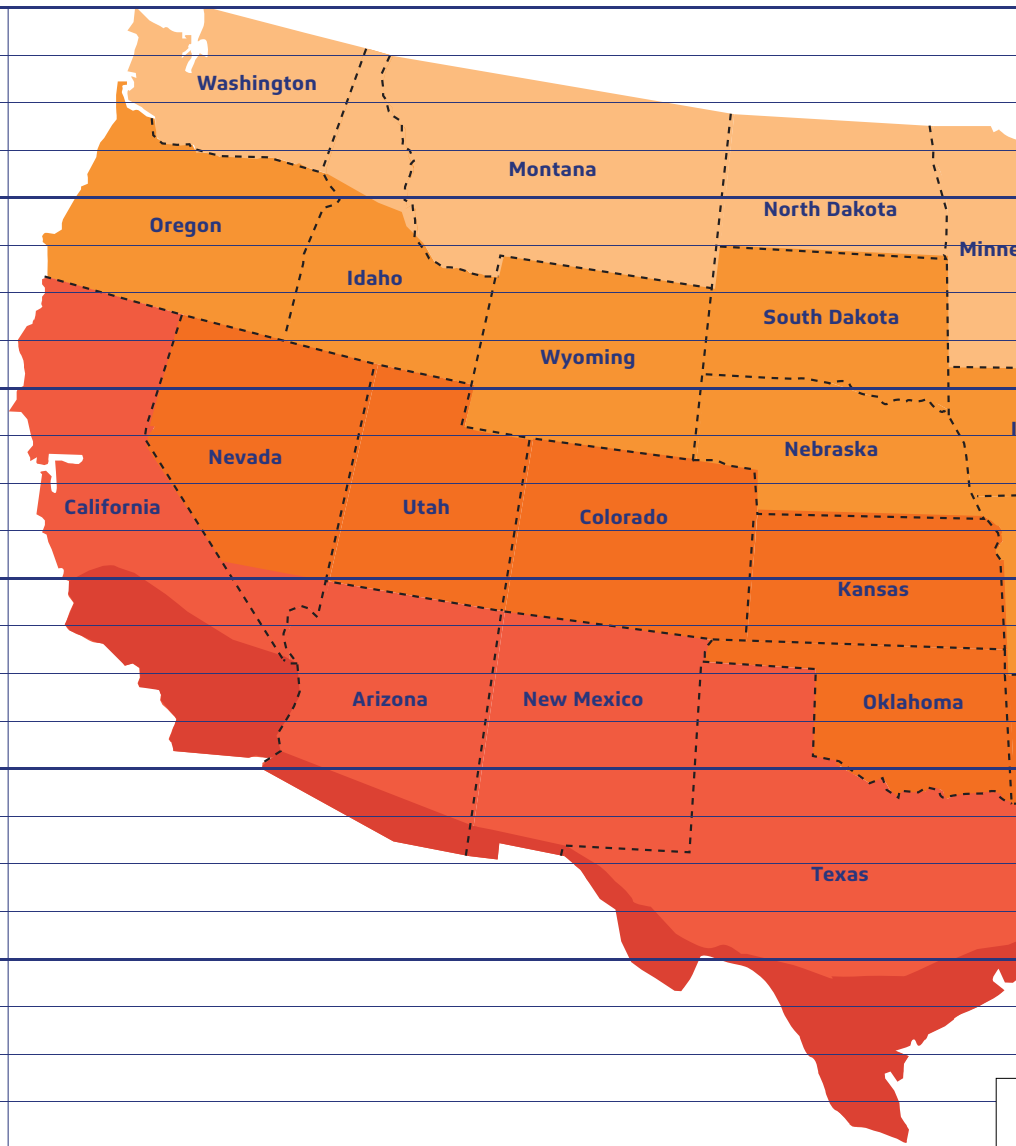
40° N  
39° N  
38° N

37° N

36° N  
35° N  
34° N

33° N

32° N  
31° N  
30° N



13°- 26°

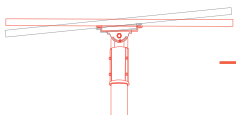
29° N

28° N  
27° N  
26° N

25° N



**Hawaii**



0°- 13°

21° N

20° N

19° N

010



## SATELIS 50W 75W

The Solar charge in a battery pack won't last forever. The off-grid system relies on stored solar energy for autonomy. Angling your solar panels properly can boost the power intake of your solar lighting system. You want to angle your solar panels at a tilt based on the area's latitude.

### Tip

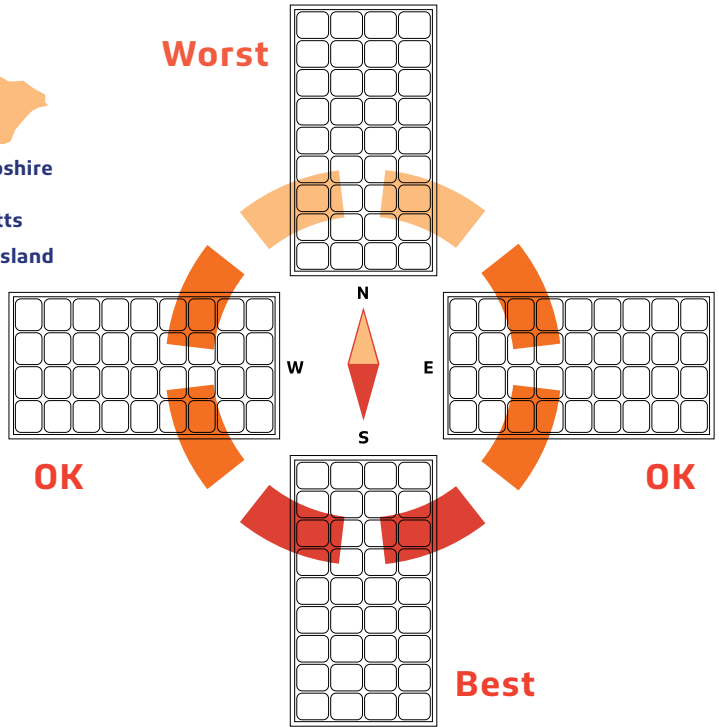
You can increase the tilt 15° in the winter or decrease 15° in the summer. In this way you can get the maximum sunlight to recharge the battery.

CATALOG		COMMENTS
PROJECT		
PREPARED BY		
DATE		

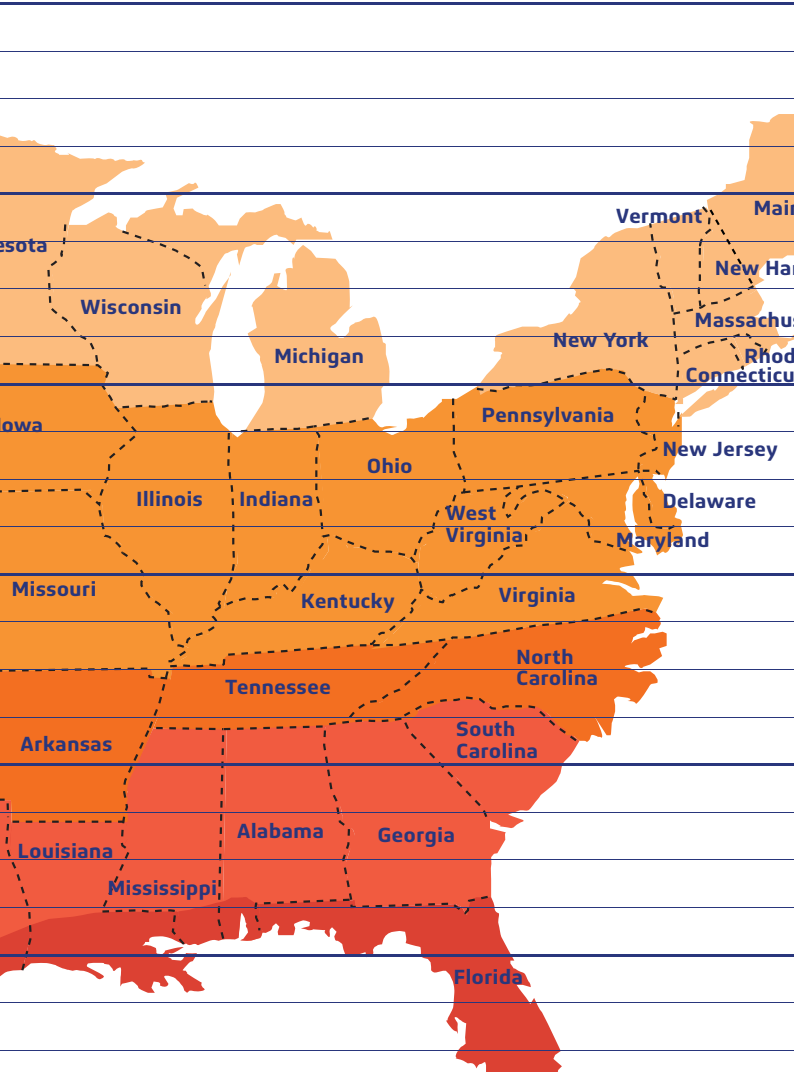
### Key



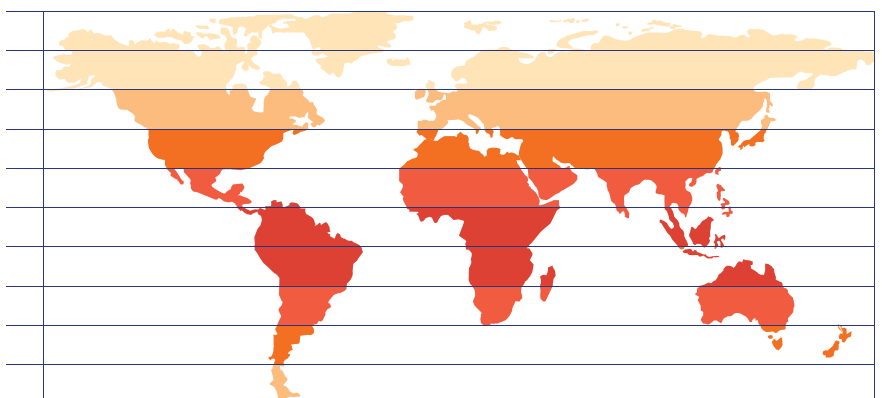
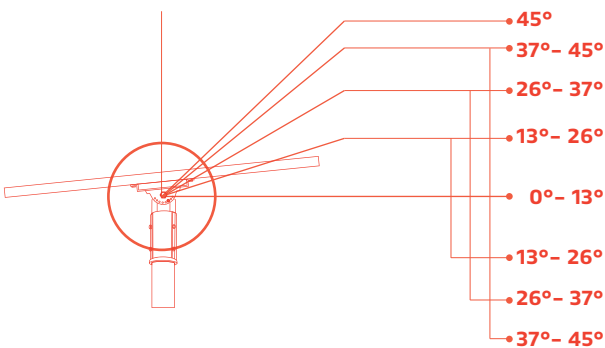
### Best Facing Direction of Solar Panel



The area will dictate the installation of the fixtures and will sometimes prevent the lights from facing south. But that's okay! Panels facing West & East won't get as much light as Southern facing panels, but will still collect a good amount of sunlight. A North facing panel also works, but it will take longer to charge than any other direction. This would mean that the solar charge will be less optimal if installations are facing North.

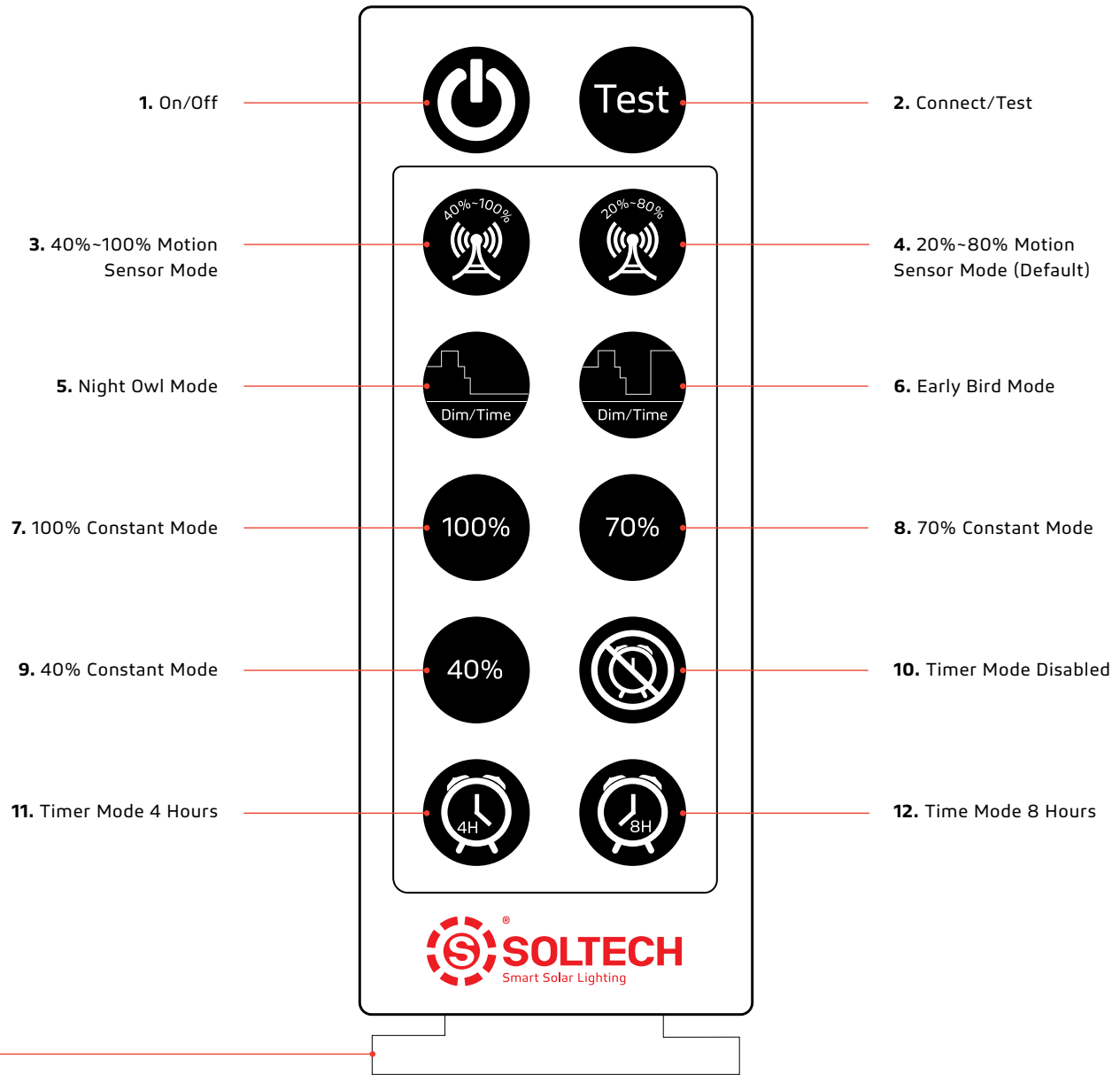


### World Wide Panel Angles

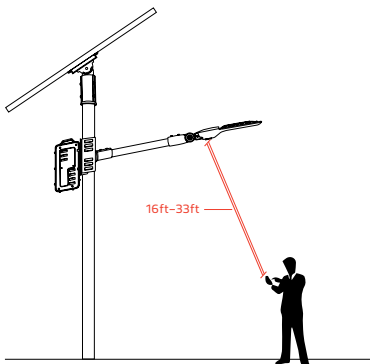


CATALOG		COMMENTS
PROJECT		
PREPARED BY		
DATE		

**REMOTE CONTROLS**



When using the remote for the first time, please remove the plastic piece at the bottom to make the remote turn on.



The range of the remote control to the indicator is 16ft (Day time) to 33ft (Night time). Because the sunlight will impact the signal of the remote control, we suggest our users to setup the mode before they install the light.

**1. On/Off**

When off is selected, the light will stop working. The solar panel will not charge the battery and the battery will not supply electricity to the light.

**2. Connect/Test**

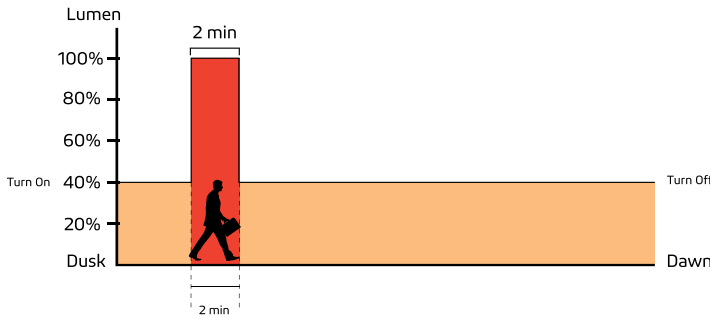
Remote control device can be connected with any lighting fixture, one at a time. To connect, press the button once. It also functions as a test button. To test, press the "Test" button once, the red light will indicate the fixture is charging, green light indicates that the fixture is operating. Testing lasts for 10 seconds, and then it goes back to the mode previously in use.

CATALOG		COMMENTS
PROJECT		
PREPARED BY		
DATE		

**REMOTE CONTROLS**

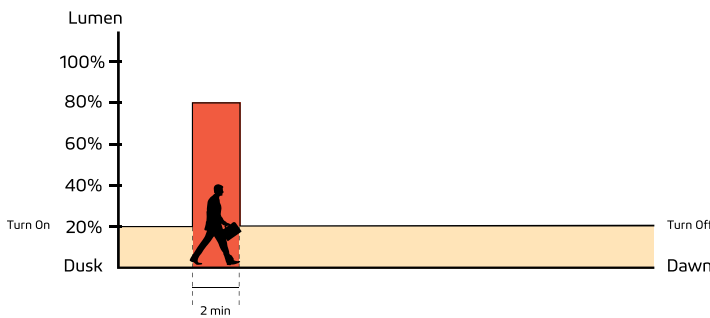
**3. 40%-100% Motion Sensor Mode**

Constant 40% brightness (turns on at dusk, turns off at dawn); 100% brightness turns on for 2 minutes when motion is detected.



**4. 20%-80% Motion Sensor Mode (Default)**

Constant 20% brightness (turns on at dusk, turns off at dawn); 80% brightness turns on for 2 minutes when motion is detected.

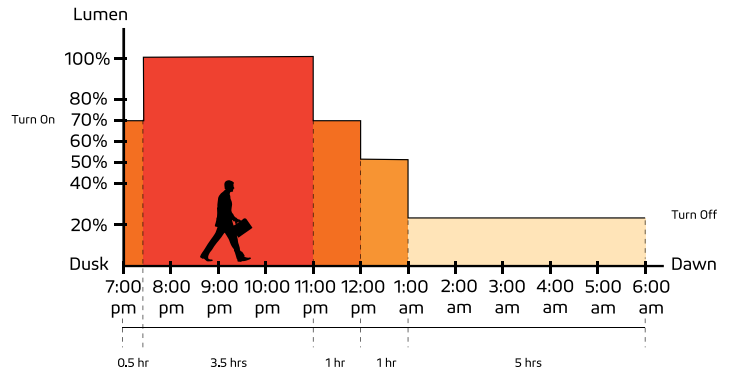


**(IAP) Intelligent Adaptive Program Battery Control Technology**

In order to extend the off-grid autonomy of the SATELIS under shady trees, heavy rain, and thick clouds, our controllers now integrate an adaptive smart control feature to actively track battery capacity and adjust light output accordingly. Before integrating this feature, selecting a light output percentage on the remote would yield an accurate percentage of max LED brightness. Now with (IAP), the controller actively monitors the battery and regulates the electrical current to the LEDs. The controller makes light output of the selected percentage on the remote relative to battery capacity rather than max LED output. This smart-control feature can increase our off-grid performance by up to 40%.

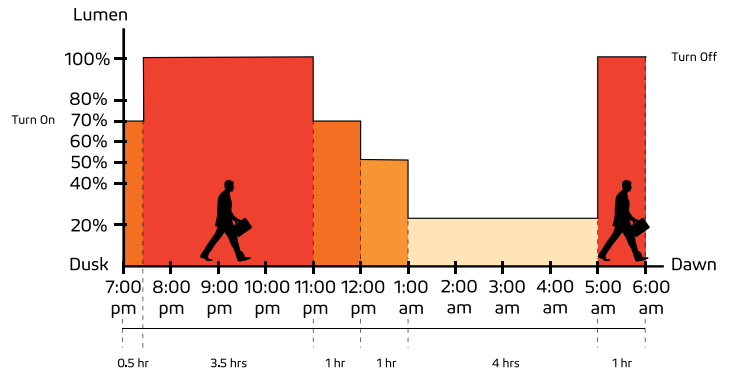
**5. Night Owl Mode**

Changes as natural light decreases/increases (turns on at dusk); 70% brightness for 0.5 hour, 100% brightness for 3.5 hours, 70% brightness for 1 hour, 50% brightness for 1 hour, 20% brightness for 5 hours (turns off at Dawn).



**6. Early Bird Mode**

Changes as natural light decreases/increases with increased brightness near dawn for early risers (turns on at dusk); 70% brightness for 0.5 hour, 100% brightness for 3.5 hours, 70% brightness for 1 hour, 50% brightness for 1 hour, 20% brightness for 4 hours, 100% brightness for 1 hour (turns off at Dawn).



**Important**

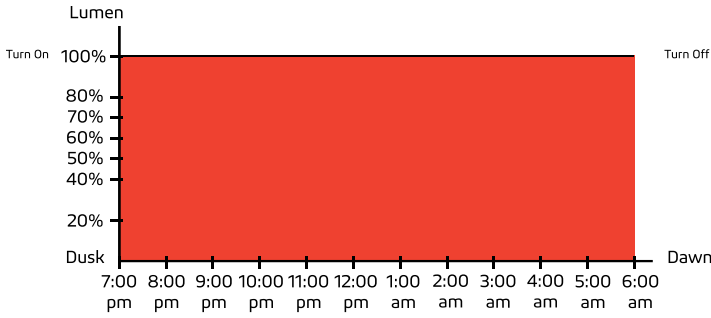
Dust and dawn time may be different in other locations and seasons. The sensors of our products will follow the light patterns of where it is installed. The time period shown in the chart above is just an example to help you understand the different lighting modes only.

CATALOG		COMMENTS
PROJECT		
PREPARED BY		
DATE		

**REMOTE CONTROLS**

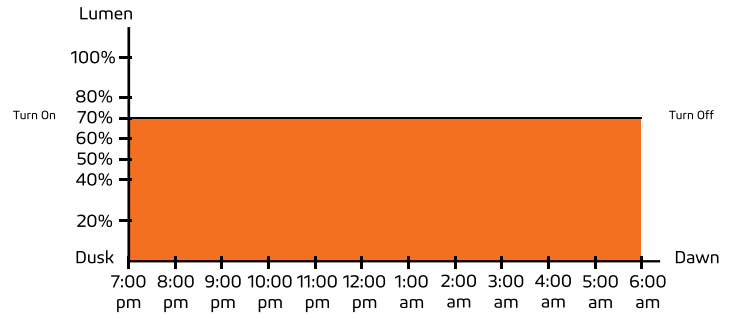
**7. 100% Constant Mode**

100% brightness from dusk to dawn.



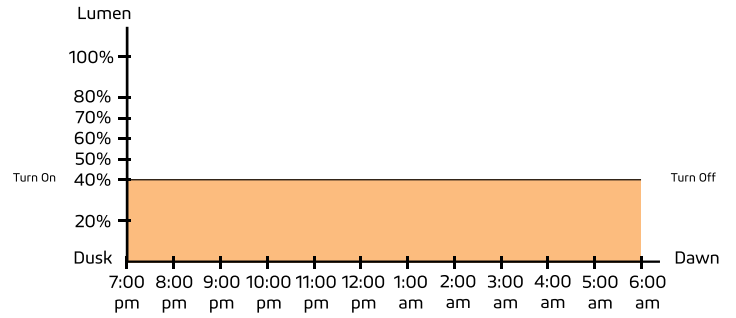
**8. 70% Constant Mode**

70% brightness from dusk to dawn.



**9. 40% Constant Mode**

40% brightness from dusk to dawn.



**10. Timer Mode Disabled**

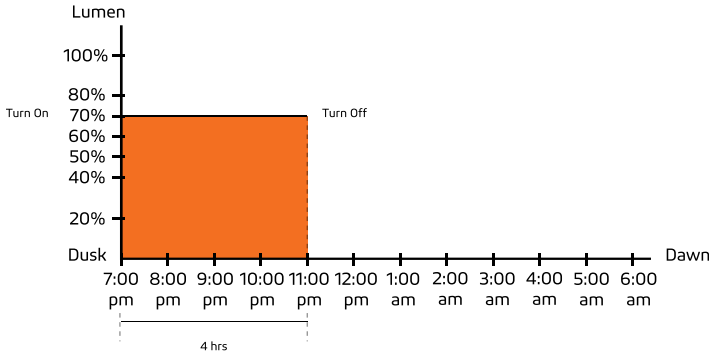
Press this button to turn off Timer Mode; settings revert back to before Timer Mode was last activated.

CATALOG		COMMENTS
PROJECT		
PREPARED BY		
DATE		

**REMOTE CONTROLS**

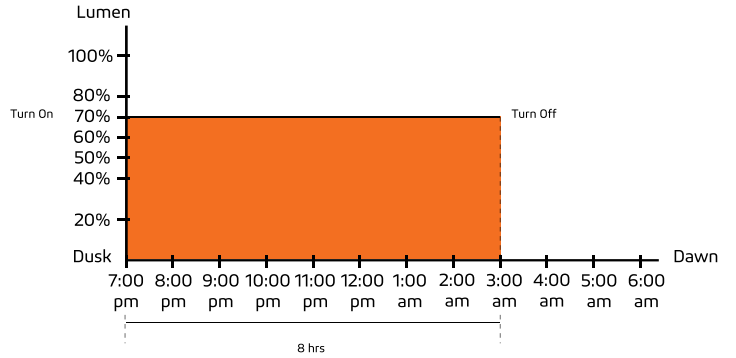
**11. Timer Mode 4 Hours**

This is an additional mode which can work with any other modes. For example: press this button at any time after you turn on 70% Constant Mode. If the light turns on at 7pm at dusk, it will turn off at 11pm. It will repeat the same schedule hereafter until it is canceled by pressing Timer Mode Disabled.



**12. Time Mode 8 Hours**

This is an additional mode which can work with any other modes. For example: press this button at any time after you turn on 70% Constant Mode. If the light turns on at 7pm at dusk, it will turn off at 3am. It will repeat the same schedule hereafter until it is canceled by pressing Timer Mode Disabled.



**Important**

Dust and dawn time can vary for different locations and seasons. The sensors in our products will monitor the light levels where it is installed. The time period shown in the chart above is just an example to help you understand the different lighting modes.



# SATELIS 50W 75W

CATALOG		COMMENTS
PROJECT		
PREPARED BY		
DATE		

### WARRANTY

SATELIS products are covered by a 5 year limited warranty. SATELIS urban light warrants to the original purchaser that this product is free from defects in materials and workmanship for the period of 5 years from date of purchase. To obtain warranty service please contact your local distributor or sales rep for further instruction.



1460 Park Avenue.  
Emeryville, CA 94608 USA

[www.soltechlighting.com](http://www.soltechlighting.com)

SOLTECH LLC reserves the right to update all product data sheets at any time. Consult SOLTECH marketing specialists for publication updates at [hello@soltechlighting.com](mailto:hello@soltechlighting.com)

Copyright©2021-2022 SOLTECH LLC,  
All Rights Reserved.