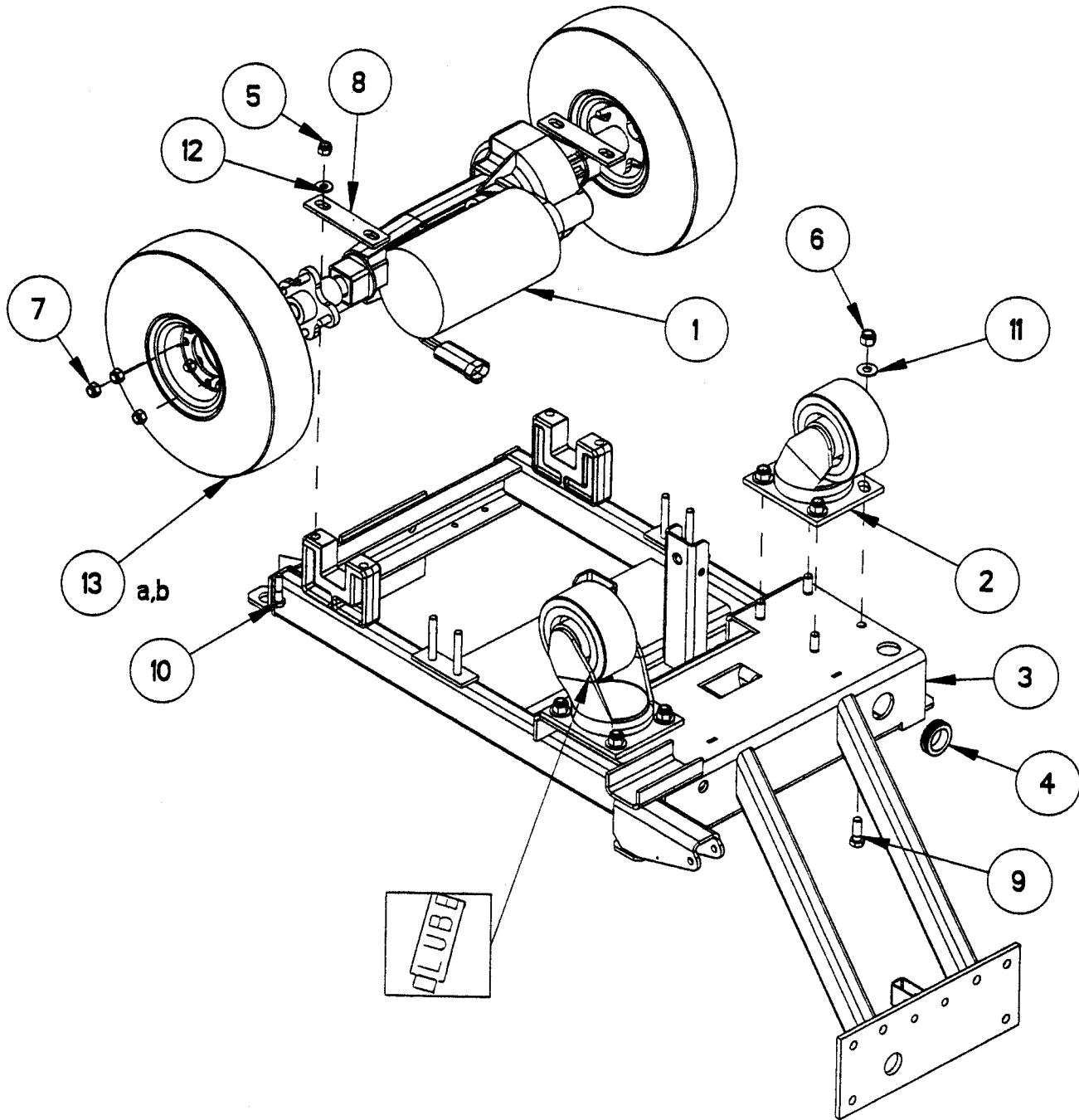
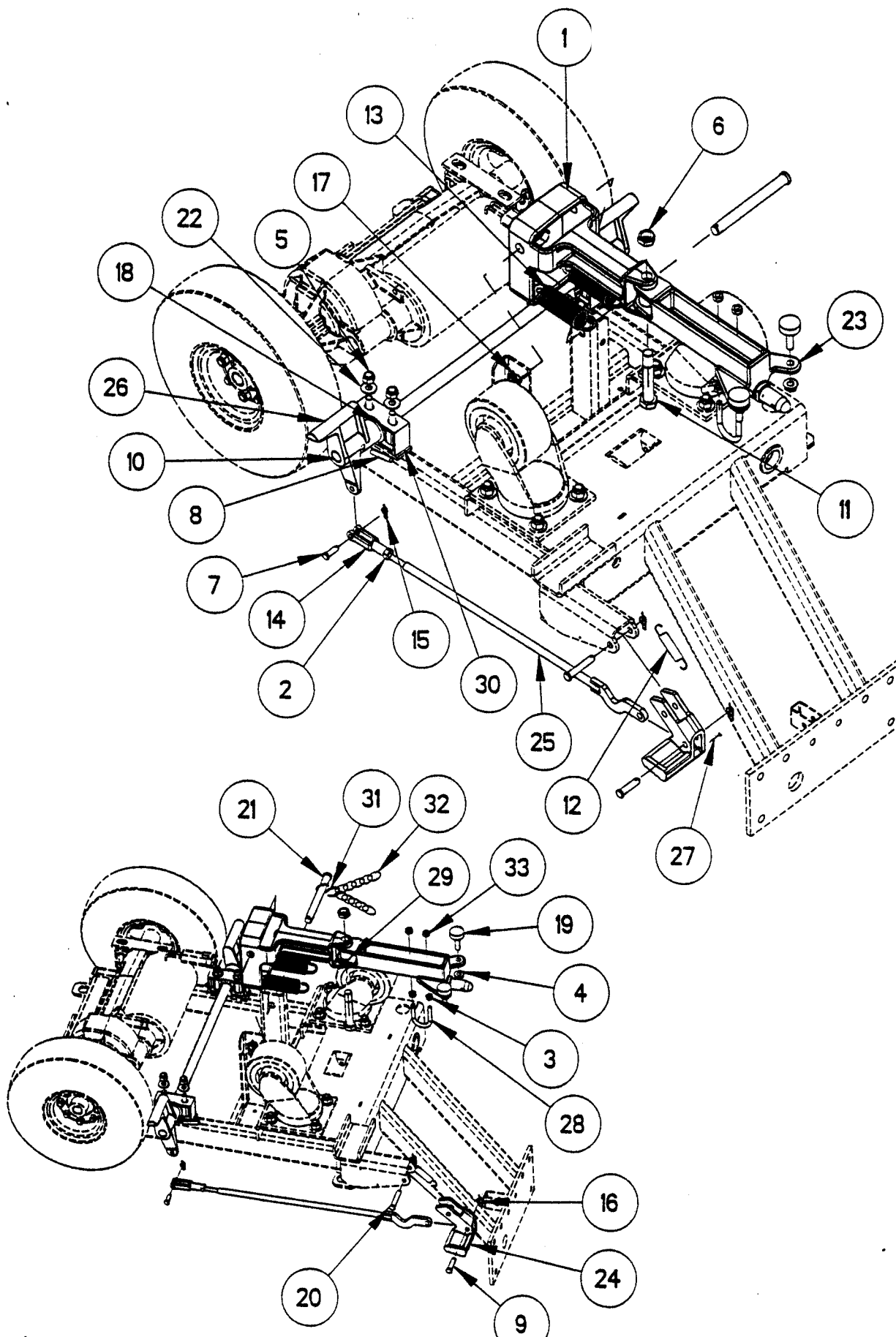


MAIN FRAME ASSEMBLY



MAIN FRAME ASSEMBLY PARTS LIST

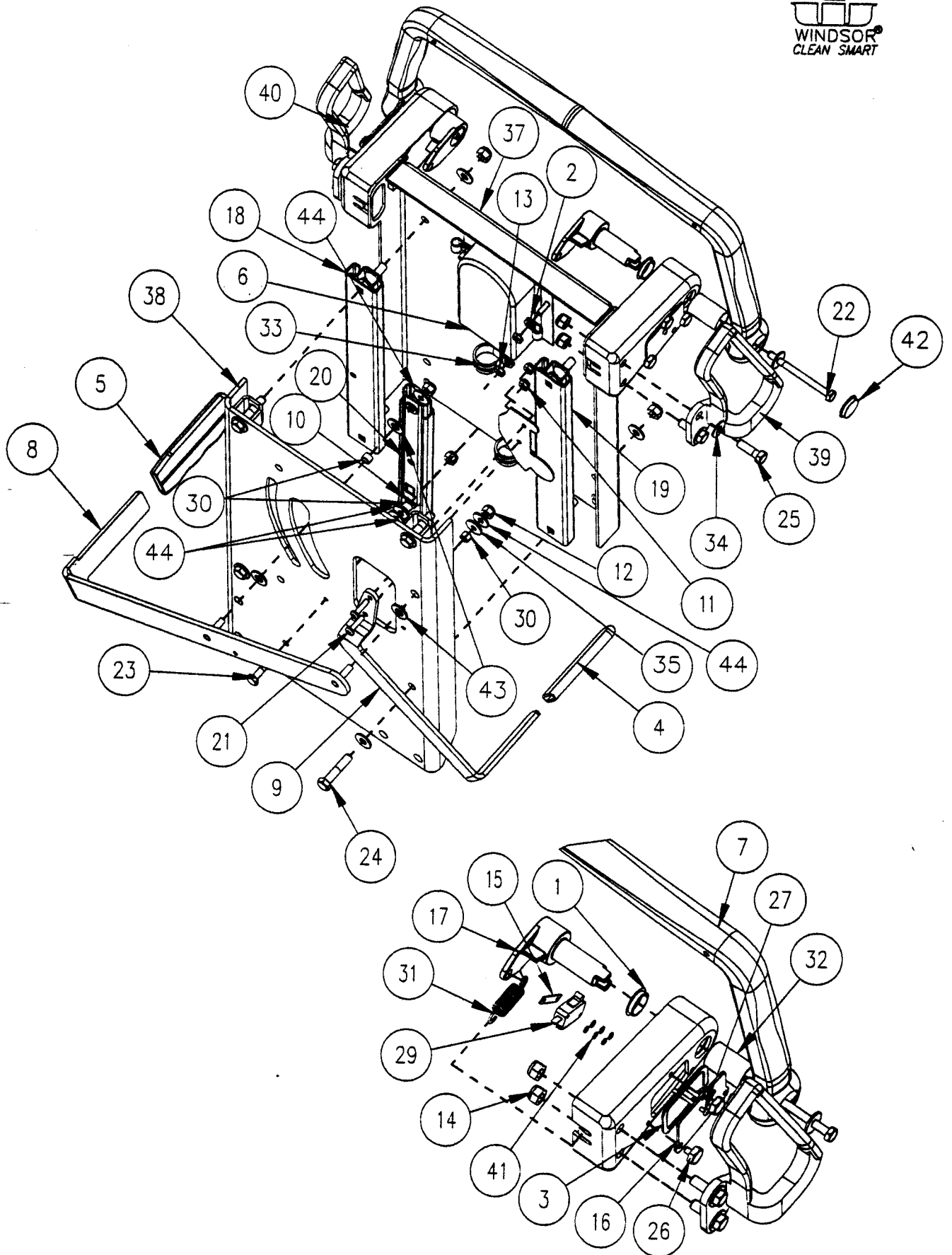
Ref.	Part No.	Qty	Description	Serial No.		Notes
				From	To	
1	05121	1	AXLE, MOTOR DRIVE 36VDC			
2	18041	2	CASTER, 4" DIA. X 2 X 3.56 R			
3	34322	1	FRAME, SABER 28/34			
4	36191	1	GROMMET 1.00 ID 3/16GRIP			
5	57113	4	NUT, 5/16-18HEX NYLCK			
6	57119	8	NUT, 3/8-16HEX NYLOCK			
7	82738	6	NUT, WHEEL 7/16-20 WHEEL PLTD			
8	62714	2	PLATE, DRIVE AXLE			
9	70266	8	SCR, 3/8-16X 1.00 HHCS GR5			
10	70325	4	SCR, 5/16-18 X 1.25 HHCS GR5			
11	87003	8	WASHER, 3/8 X 7/8 FLAT SS			
12	87029	4	WASHER, 5/16 X 3/4 SS			
13A	89115	2	WHEEL, 12IN PNEU. NON-MARKING, GRAY			
13B	89159	2	WHEEL, 12IN PNEU., BLACK			
	78412		TUBE, 12" TIRE	(not shown)		Service Part for 89115/89159



BRAKE/SQUEEGEE LINK ASSEMBLY PARTS LIST

Ref	Part No.	Qty	Description	Serial No.		Notes
				From	To	
1	51291	1	LINKAGE, SQUEEGEE PIVOT			
2	57029	1	NUT, 1/4-28 HEX SS			
3	57105	2	NUT, 1/4-20 HEX W/STAR			
4	57112	2	NUT, 5/16-18 HEX FLG			
5	57113	4	NUT, 5/16-18 HEX NYLOCK			
6	57153	1	NUT, 1/2-13 HEX NYLCK THIN			
7	66116	1	PIN, CLEVIS 1/4 X 3/4			
8	66192	2	PIN, ROLL 1/4 X 1.25			
9	66304	1	PIN, CLEVIS Y16 X 1.25			
10	67402	1	ROD, TORSION S34 BRAKE			
11	70347	1	SCR, 1/2-13 X 3.00 HHCS GR5			
12	73426	1	SPRING, PT17 SQUEEGEE			
13	73885	2	SPRING, EXT 1.00 OD X 4.0L			
14	80603	1	CLEVIS, 1/4 YOKE END 1/4-28			
15	80604	1	COTTER, 1/4 RING			
16	80605	2	COTTER, 5/16 RING			
17	80607	1	COTTER, 1/2 RING			
18	80633	2	WASHER, .63 X 1.41 FLAT			
19	80654	2	BUMPER, ADJUSTMENT			
20	80831	1	PIN, CLEVIS 5/16 X 1.75			
21	82322	1	PIN, CLEVIS 1/2 X 4.80			
22	87029	4	WASHER, 5/16 X 3/4 SS			
23	89119	1	LINKAGE, SQUEEGEE LIFT			
24	89151	1	WELDMENT, PEDAL PARKING BRAKE			
25	89152	1	WELDMENT, ROD PARKING BRAKE			
26	89153	2	PAD, SABER BRAKE	1000021265		
27	66073	1	PIN, COTTER 1/16 X 3/4 L PLTD			
28	140125	1	U-BOLT, 1/4-20 X 1.0 X 1.75			
29	140293	1	SPACER, .750D X .50ID X 1.50 L			
30	140331	2	BUSHING, PILLOW BLOCK			
31	73831	1	S-HOOK, 2"			
32	80582	1	CHAIN, #1/0 7-LINKS GROUNDING			
33	57245	2	NUT, 1/4-20 HEX NYLOCK SS			

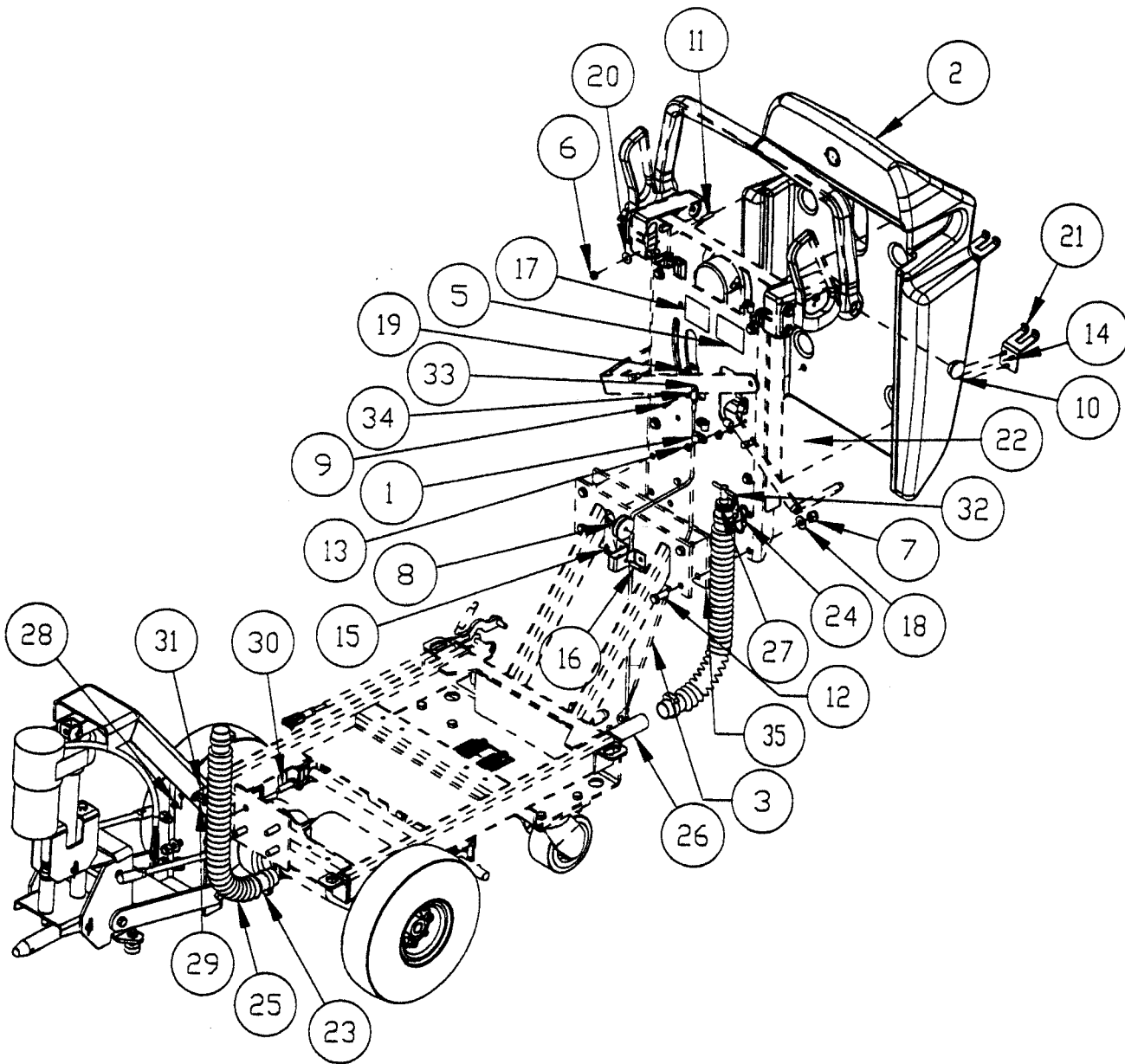
REAR PANEL MECHANICAL



REAR PANEL MECHANICAL PARTS LIST

Ref	Part No.	Qty	Description	Serial No.		Notes
				From	To	
1	09129	2	BEARING, 3/4 NYLINER SI			
2	20005	2	CLAMP, 5/16 NYLON			
3	35220	2	GASKET, MICRO SWITCH COVER			
4	36004	1	GRIP, VINYL HANDLE			
5	36133	1	GRIP, 3/16 X 1.0 FLAT BAR			
6	36190	1	GUARD, HARNESS COVER			
7	38275	1	HANDLE, SABER			
8	51289	1	LEVER, SQUEEGEE LIFT			
9	51290	1	LEVER, CONSOLE LIFT			
10	57006	1	NUT, 1/4-20 HEX			
11	57030	2	NUT, 10-32 HEX NYLOCK			
12	57047	5	NUT, 1/4-20 HEX NYLOCK			
13	57104	4	NUT, 10-32 HEX W/STAR			
14	57113	12	NUT, 5/16-18 HEX NYLOCK			
15	57247	2	NUT, PLATE SWITCH MOUNTING	4341		
16	62726	2	PLATE, MICROSWITCH MOUNT			
17	66293	2	PIVOT, HANDLE			
18	67387	1	RAIL, SLIDING			
19	67388	1	RAIL, LOCKING			
20	67423	1	RAIL, RATCHET			
21	70066	6	SCR, 10-32 X 3/4 PPHMS SS			
22	70129	2	SCR, 1/4-20 X 3.00 HHCS			
23	70297	1	SCR, 1/4-20 X 1.5 HHCS			
24	70258	4	SCR, 5/16-18 X 1.50 HHCS GR5			
25	70302	4	SCR, 5/16-18 X 1.00 HHCS GR5			
26	70351	6	SCR, 10-32 X 3/8 HHTR W/ STAR			
27	70245	4	SCR, 4-40 X 3/4 PPHMS			
28	98721	1	SERVICE TAGS			NOT SHOWN
29	72093	2	SWITCH, MICRO			
30	78430	3	SPACER, 3/8 OD X 3/8 LONG			
31	73938	2	SPRING, EXT. .5D X 2.75L X .075W			
32	73913	2	SPACER, 7/8 OD X .78 ID X 1.375L			
33	80887	2	CLAMP, 7/8 DIA. P CUSHIONED			
34	87029	12	WASHER, 5/16 X 3/4 SS			
35	87030	2	WASHER, 3/8 X 3/4 NYL			
36	14382	1	BANDS, SERVICE TAGS			NOT SHOWN
37	89117	1	WELDMENT, CONSOLE MOUNTING			
38	89118	1	WELDMENT, TOWER			
39	140247	1	BAR, GRAB HANDLE LEFT			
40	140248	1	BAR, GRAB HANDLE RIGHT			
41	87068	12	WASHER, 1/8 RIVET BACKUP			
42	66301	2	PLUG, 1.00 HOLE			
43	87200	3	WASHER, .40 ID X 1.30 OD NYLON			
44	87135	4	WASHER, .26 ID X .50 OD			

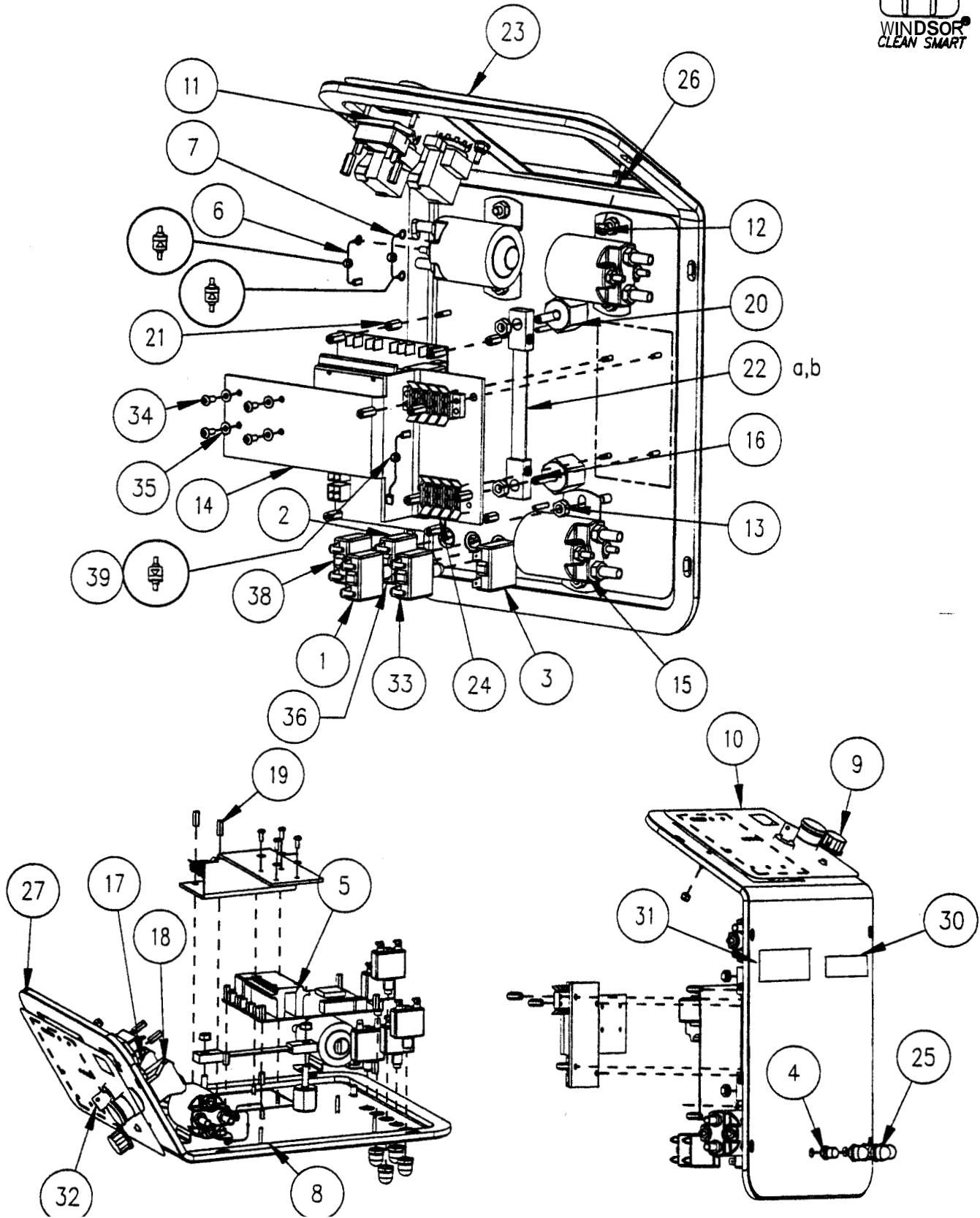
CONTROL PANEL COVER



CONTROL PANEL COVER PARTS LIST

Ref	Part No.	Qty	Description	Serial No.		Notes
				From	To	
1	20054	4	CLAMP, 3/8 NYLON			
2	27757	1	CONSOLE, REAR			
3	27794	1	CABLE, 23.70 X 1/8			
4	41335	1	HARNESS, SABER MAIN			(NOT SHOWN)
5	50776	1	LABEL, FOR SAFETY			
6	57105	4	NUT, 1/4-20 HEX W/STAR			
7	57119	8	NUT, 3/8-16 HEX NYLOCK			
8	64096	1	PULLEY, 1.5 OD X .5 W X .25 B			
9	66191	1	PIN, CLEVIS 3/16 X 1/2" PLTD			
10	66301	2	PLUG, 1.00 HOLE			
11	70251	4	SCR, 1/4-20 X 1.00			
12	70377	4	SCR, 3/8-16 X 1.25 HHCS GR5			
13	70187	4	SCR, 10-24 X 1/2 PHTC-F-			
14	70403	6	SCR, #10 X 112 PHST TYPE B			
15	80604	2	COTTER, 1/4 RING			
16	80612	1	PIN, CLEVIS 1/4 X 1.0			
17	80885	1	SAFETY DECAL, BATTERY CAUTION			
18	87003	8	WASHER, 3/8 X 7/8 FLAT SS			
19	87056	1	WASHER, M6 FLAT			
20	87090	4	WASHER, 1/4 X 3/4 FLAT			
21	140133	2	BRACKET, RECOVERY HOSE MTG.			
22	880208	2	CABLE, ELECTRICAL 4 GA X 80.0			
23	20090	4	CLAMP, 1.0 NYLON RATCHET			
24	27670	1	CORD, DRAIN PLUG TRIDENT			
25	39505	2	HOSE, 1.0 X 18.0 DRAIN			
26	39513	1	HOSE, 3/4 ID X .12W X 40" CLR			
27	40076	1	SLEEVE, .63 ID X 1.0 OD			
28	57030	1	NUT, 10-32 HEX NYLOCK			
29	70066	1	SCR, 10-32 X 3/4 PPHMS SS			
30	70377	4	SCR, 3/8-16 X 1.25 HHCS GR5 PLTD			
31	80887	1	CLAMP, 7/8 DIA "P" CUSHIONED			
32	82267	1	PLUG, 5/8" DRAIN HOSE			
33	62735	1	PLATE, CABLE EXTENSION			
34	57104	1	NUT, 10-32 W/STAR WASHER PLTD			
35	62825	1	PLATE, SHIM CNTRL PNL			

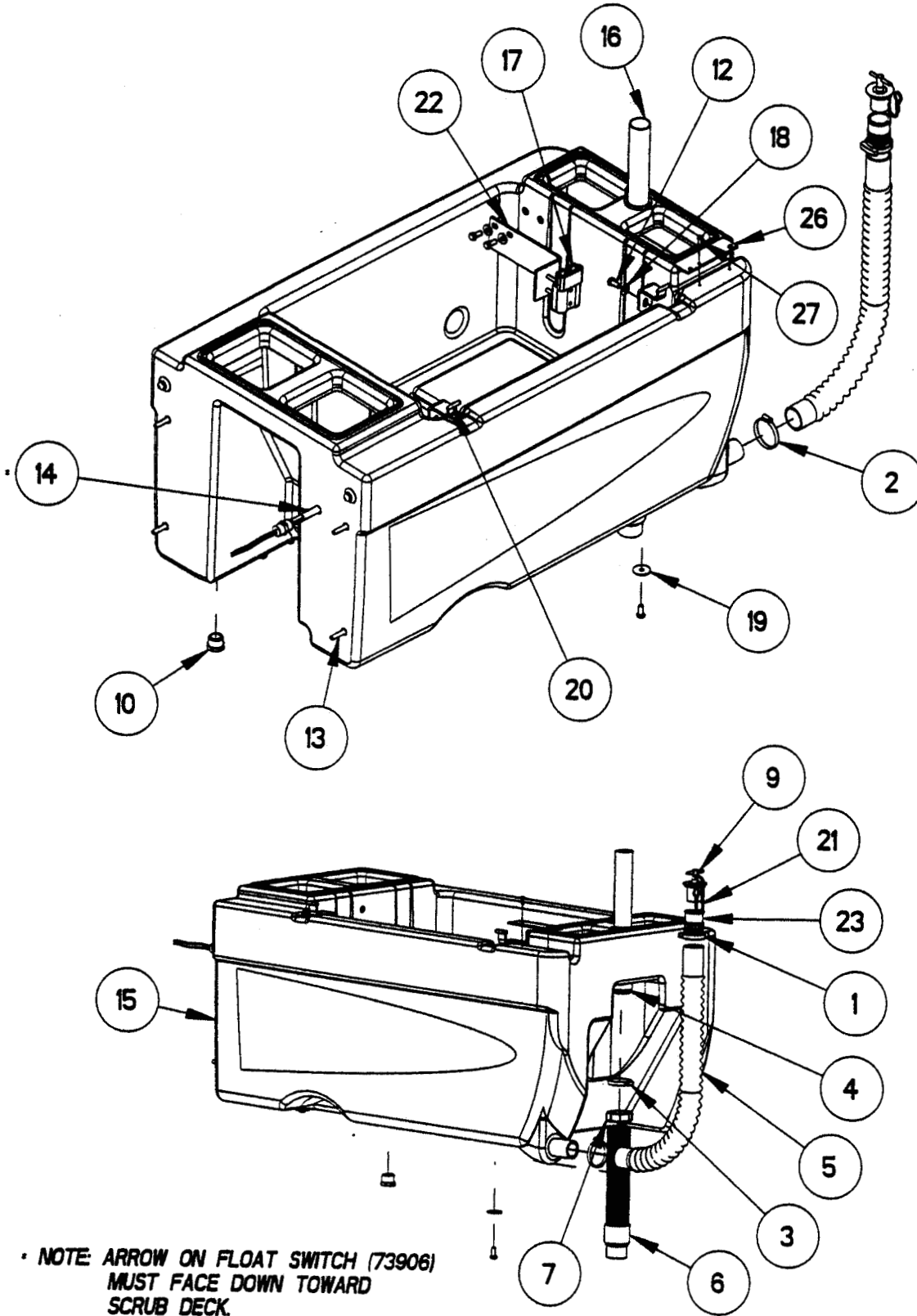
REAR ELECTRICAL CONTROL PANEL



REAR PANEL ELECTRICAL PARTS LIST

Part No.	Description				
1	14606	2	BREAKER, 30A 250VAC 50VDC		
2	14607	1	BREAKER, 25A 250VAC 50 VDC		
3	14717	1	BREAKER, 3A 250VAC, SOVDC		
4	14942	1	BOOT, 3/8 CIRCUIT BREAKER		
5	27773	1	CONTROLLER 36 VDC		
6	29203	1	DIODE ASM, 76008 X 76042		
7	29215	1	DIODE ASM., 76075 X 76075		
8	35210	1	GASKET, ELECTRIC PANEL		
9	48072	1	KNOB, 1.06 OD X .25 ID W/SET SCR		
10	50919	1	LABEL, SCRUBBER PANEL		
11	54154	1	METER, 24-28 VDC LED HOUR		
12	57026	2	NUT, 8-32HEX NYLOCK		
13	57105	8	NUT, 1/4-20 HEX W/STAR		
14	62748	1	PLATE, HEAT SINK		
15	67315	3	RELAY, 36VDC 100 AMP H W DUTY		
16	70393	2	SCR, 1/4-20 X 1.25 SSSCU		
17	72159	1	SWITCH, KEY 2 POSITION		
18	72160	1	SWITCH, EMERGENCY STOP		
19	73538	10	STANDOFF, 5/8 L, 6-32		
20	73659	2	STANDOFF, INS. 1.0L, 1/4-20 THD		
21	73811	4	STANDOFF, 1/2L, 6-32		
22A	73905	1	SHUNT, TYPE A DC ANMETER 30 AMP	MODEL S34SP	
22B	73707	1	SHUNT, TYPE A DC ANMETER 100MV		
23	78392	1	TOUCH PANEL ASM.		
24	80834	2	TERM. STRIP 8-POSITION 1/4		
25	80845	4	BOOT, 3/8 CIRCUIT BREAKER		
26	87056	2	WASHER, M6 FLAT		
27	89120	1	WELDMENT, ELECTRIC PANEL		
28	41341	1	HARNESS, SABER CONTROL	(NOT SHOWN)	
29	41342	1	HARNESS, SABER MOTOR	(NOT SHOWN)	
30	50776	1	LABEL, FORSAFETY		
31	81505	1	LABEL, SAFETY DECAL SOL WARNING		
32	48073	1	KEY, FOR SWITCH #72159 (REF # 18)		
33	70067	12	SCR, 6-32 X 3/8 PPHMS SS		
34	70142	4	SCR, M4 X .7X10 PPHMS DIN7985PLT		
35	87007	4	WASHER, #8 LOCK EXT. STAR PLT		
36	14688	1	BREAKER, 35A 50VDC	10451	
37	880244	1	WIRE, 10.5 RED/14 76066 X 76066		(NOT SHOWN)
38	14688	1	BREAKER, 35A 50VDC CIRCUIT		MODEL S34SP
39	29216	1	DIODE ASM, 76042 X 76043	26826	
40	66193	1	POTENTIOMETER, 5K OHMS		(NOT SHOWN)

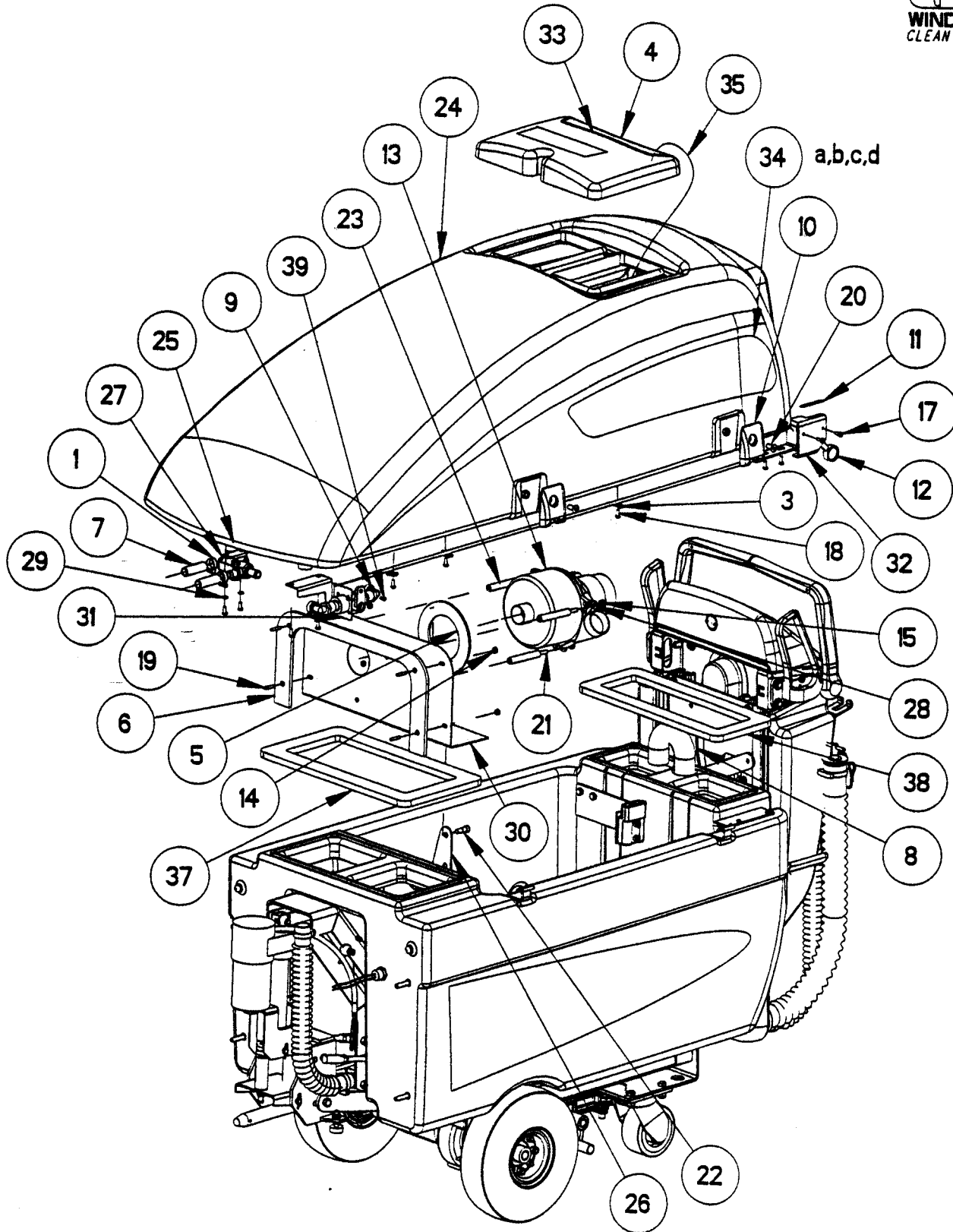
RECOVERY TANK ASSEMBLY



RECOVERY TANK PARTS LIST

Ref.	Part No.	Qty	Description	Serial Number		Notes
				From	To	
1	20002	1	CLAMP, 2.00 NYLON RATCHET			
2	20046	1	CLAMP, 2.25 WORM GEAR			
3	20064	1	CLAMP, 2.00 WORM GEAR X .312			
4	35219	1	GASKET, 1-1/2 COMPRESSION			
5	39472	1	HOSE, 1.5 X 24.0 DRAIN			
6	39511	1	HOSE ASM., 1.5 X 11 BLK VAC			
7	57033	1	NUT, 1.5 SLIP JOINT			
	OPEN					
9	66227	1	PLUG, DRAIN HOSE			
10	66240	1	PLUG, 3/4 MPT PVC			
	OPEN					
12	70305	8	SCR, 5/16-18 X 3/4 HHCS SS			
13	70639	4	SCR, 5/16-18 X 1.75 SSSCU			
14	73906	1	SWITCH, FLOAT ASM.			
15	75242	1	TANK, RECOVERY S28/34			
16	78406	1	TUBE, 1.50X8.0 PVC			
17	80682	1	CONNECTOR, BATTERY GRY, 175AMP			
18	87029	4	WASHER, 5/16 X 3/4 SS			
19	87003	4	WASHER, 3/8 X 7/8 SS			
20	89127	2	WELDMENT, HINGE PIN			
21	27670	1	CORD, DRAIN PLUG TRIDENT			
22	140319	1	BRACKET, BATT CONNECTOR MOUNT			
23	40019	1	HOSEBARB, 1.5 DOUBLE MCHND.			
24	880153	1	WIRE ASM, CHARGER ADAPTER 36V			(NOT SHOWN)
	OPEN					
26	62728	1	PLATE, CABLE MOUNT			
27	70403	2	SCR, #10 X 1/2 PHST TYPE B			

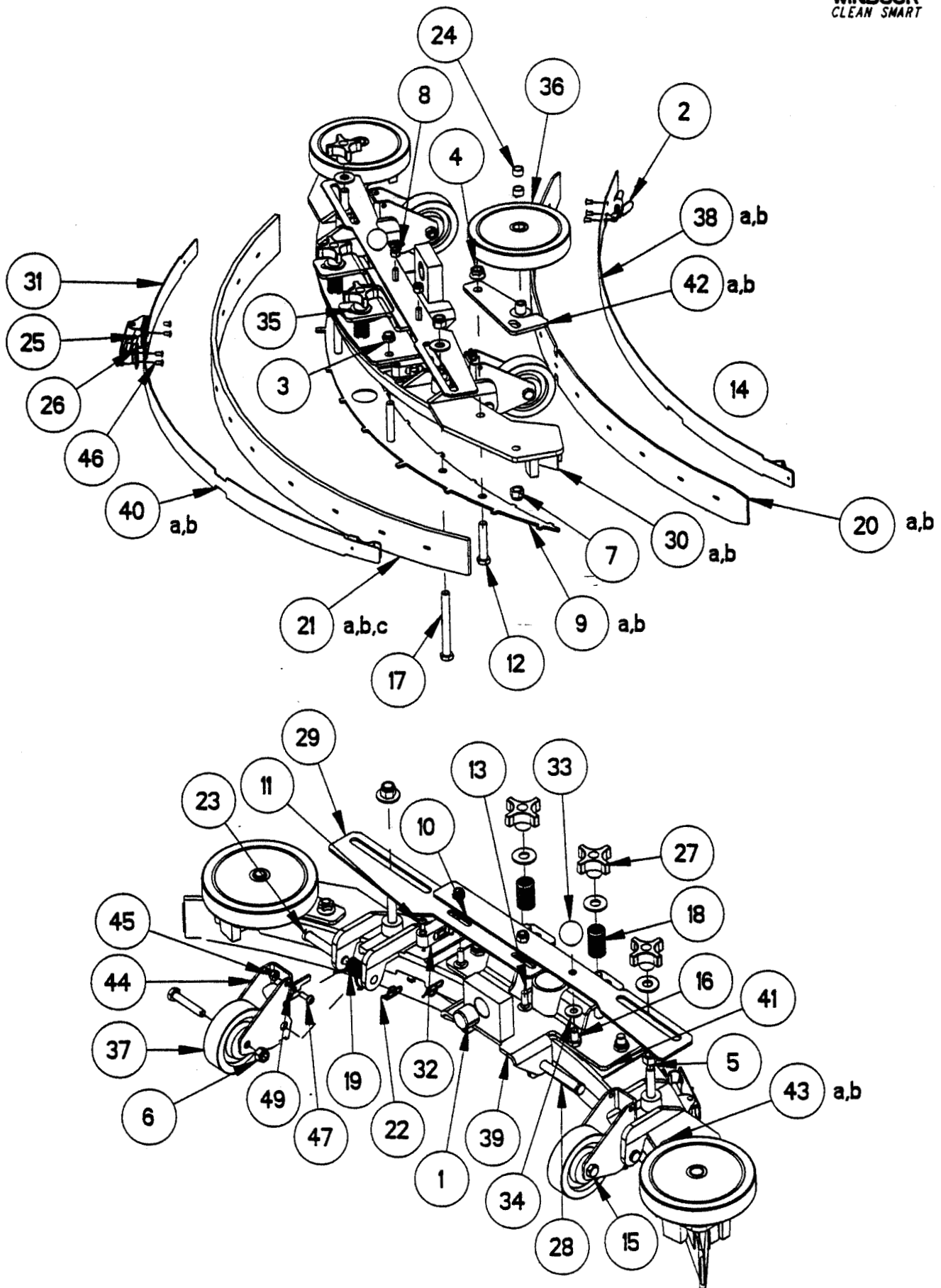
SOLUTION TANK ASSEMBLY



SOLUTION TANK ASSEMBLY PARTS LIST

Ref	Part No.	Qty	Description	Start No. From	To	Notes
1	20042	4	CLAMP, 3/8 WORM GEAR			
	OPEN					
3	22080	4	CLIP, SINGLE CONDUIT			
4	27772	1	COVER, SOLUTION TANK			
5	35122	2	GASKET, 5.7 OD C 3.5 ID X .19 THK			
6	35213	1	GASKET, 28/34 VAC MOTOR			
7	39512	2	HOSE, 112 NYLOBRAID X 18			
8	39519	1	HOSE, P-TRAP			
9	40039	3	HOSEBARB, 1/2 MPT X 1/2 HOSE 90			
10	41333	2	HINGE, SCRUBBER TANK			
11	50939	1	LABEL, SOLUTION FLOW			
12	51309	1	LEVER, SOLUTION VALVE CONTROL ASM.			
13	53633	1	VAC MOTOR ASM. 36VDC 3 STAGE			
14	57104	4	NUT, 10-32 HEX W/STAR WASHER			
15	57105	6	NUT, 1/4-20 HEX W/STAR			
31	84156	1	VALVE, METERING ASSEMBLY STANDARD			
32	140264	1	BRACKET, SOLUTION LEVER			
33	81494	1	LABEL, SAFETY SOLUTION WARNING			
34A	50940	1	LABEL, STRIDE II (LEFT)			MODELS: QQS28, QQS34, QQS34SP
34B	50943	1	LABEL, STRIDE II (RIGHT)			MODELS: QQS28, QQS34, QQS34SP
34C	50915	1	LABEL, SABER (LEFT)			MODELS: S28, S34, S34SP
34D	50916	1	LABEL, SABER (RIGHT)			MODELS: S28, S34, S24SP
35	27425	1	CORD, INSTRUCTION CARD			
36	14658	1	BRUSH SET, FOR VAC MOTOR			(NOT SHOWN)
37	35216	1	GASKET, 10.30 X 17.80 X .50 T			
38	35215	1	GASKET, 7.30 X 16.80 X .50 T			
39	73886	1	SWIVEL, SOLUTION CABLE			
40	34338	1	FILTER, SABER 34 VAC			(NOT SHOWN)
41	62727	1	PLATE, VAC MOUNT COVER			(NOT SHOWN)

SQUEEGEE ASSEMBLY



No.	Description		
1	09074	1	BEARING, FIBER 3/4 ID X 3/4 L
2	27797	1	CLAMP, STRAIGHT LINE MANUAL
3	57022	2	NUT, 3/8-16 HEX NYLOCK THIN SS
4	57032	2	NUT, 3/8-16 SERRATED FLG
5	57111	2	NUT, 3/8-16 HEX
6	57113	2	NUT, 5/16-18 HEX NYLOCK
7	57119	3	NUT, 3/8-16 HEX NYLOCK SS
8	57245	2	NUT, 1/4-20 HEX NYLOCK SS
9A	82518	1	PLATE, SQUEEGEE BLADE RETAINER
98	82750	1	PLATE, SQUEEGEE BLADE RETAINER
10	82532	1	PLATE, SUDE SQUEEGEE LONG
11	70052	2	SCR, 8-32 X 3/8 PHMS SS
12	70070	2	SCR, 3/8-16 X 2.00 HHCS SS
13	70112	2	SCR, 1/4-20 X 3/4 CARRIAGE
14	70266	4	SCR, 3/8-16 X 1.00 HHCS GR5 PLT DL
15	70259	2	SCR, 5/16-18 X 1.75 HHCS
16	70375	1	SCR, 5/16-18 X 1/2 HHCS GR5
17	70461	2	SCR, 3/8-16 X 3.50 HHCS GR5 PLTD.
18	73855	2	SPRING, COMP. .66 OD X 2.5 L
19	73887	2	SPRING, 120 DEGREE TORSION
20A	82528	1	SQUEEGEE BLADE, FRONT UNATEX
208	73922	1	SQUEEGEE BLADE, FRONT UNATEX 47
21A	82529	1	SQUEEGEE BLADE, REAR UNATEX
218	73900	1	SQUEEGEE BLADE, REAR UNATEX 44
21c	73925	1	SQUEEGEE BLADE, REAR UNATEX 50
22	80606	3	COTTER, 3/8 RING
23	80637	2	PIN, CLEVIS 3/8 X 2.38
24	81247	4	SPACER, .500 OD X .391 ID X .300
25	81488	1	LATCH, SQUEEGEE STRAP
26	81489	1	STRIKER, SQUEEGEE STRAP REAR
27	81535	3	KNOB, SQUEEGEE ADJ. PLATE
28	82060	1	PIN, CLEVIS 3/8 X 5.25
29	82531	1	PLATE, SQUEEGEE ADJUST SHORT
30A	82514	1	SQUEEGEE, 37 IN
308	73920	1	SQUEEGEE, 45 IN
31	82553	1	WELDMENT, REAR SQG. BAND SHORT
32	82576	1	VIAL, LEVEL
33	82922	1	BALL, KNOB ADJ.
34	87029	1	WASHER, 5/16 X 3/4 SS
35	87143	6	WASHER, 7/16 X 1" FLAT
36	89086	2	WHEEL, 5D X 1 X 5 ID GREY
37	89095	2	WHEEL, 3" DIA. CUSHION RUBBER
38A	82550	1	WELDMENT, FRONT SQUEEGEE BAND
38B	89172	1	WELDMENT, FRONT SQUEEGEE BAND
39	89124	1	WELDMENT, SQUEEGEE MOUNT
40A	82525	1	WELDMENT, REAR SQUEEGEE BAND
41	89132	1	WELDMENT, SQUEEGEE MOUNT
42A	89164	1	WELDMENT, SQUEEGEE WHEEL RIGHT
428	89163	1	WELDMENT, SQUEEGEE EXTENSION RT
43A	89165	1	WELDMENT, SQUEEGEE WHEEL LEFT
43B	89160	1	WELDMENT, SQUEEGEE EXTENSION LT
44	140275	2	BRACKET, SQUEEGEE WHEEL SUPPORT
45	57252	1	NUT, 10-24 HEX NYLOCK SS
46	67380	7	RIVET, 5/32 OD X 1/8 GRIP
47	70086	1	SCR, 10-24 X 1/2 PHMS SS
48	OPEN		
49	82799	1	PLATE, POINTER
50	82644	1	OVERLAY, SQUEEGEE

MODELS: S28, S34, QQS28, QQS34
MODELS: S34SP, QQS34SP

MODELS S28, S34, QQS28, QQS34

MODELS: S34SP, QQS34SP

MODELS: S28, QQS28

MODELS S34, QQS34

MODELS: S34SP, QQS34SP

MODELS: S28, S34, QQS28, QQS34

MODELS: S34SP, QQS34SP

MODELS: S28, S34, QQS28, QQS34

MODELS S34SP, QQS34SP

MODELS: S28, S34, QQS28, QQS34

MODELS: S28, S34SP, QQS28, QQS34SP

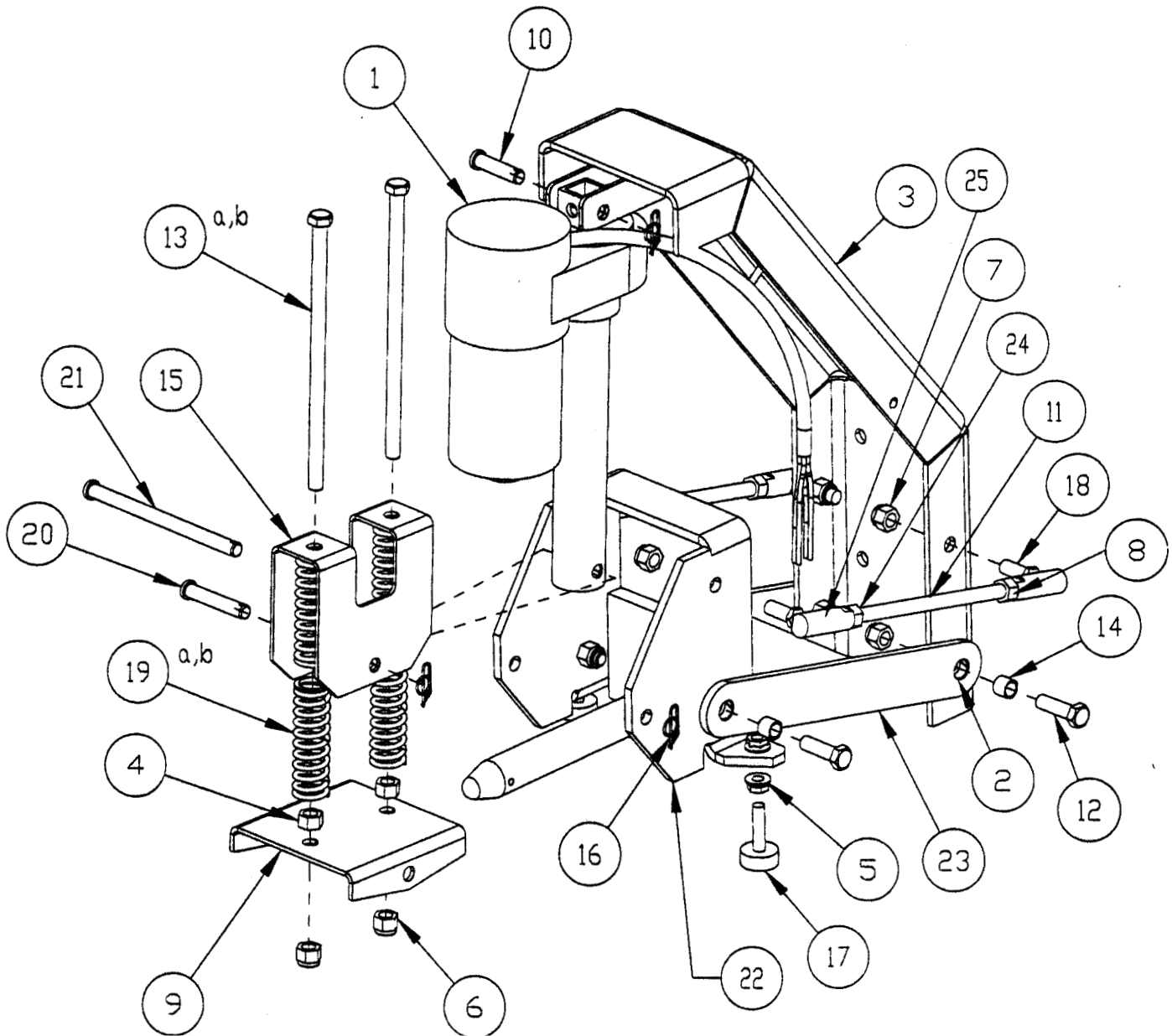
MODELS: S34, QQS34

MODELS: S28, S34SP, QQS28, QQS34SP

MODELS: S34, QQS34

(NOT SHOWN)
(NOT SHOWN)

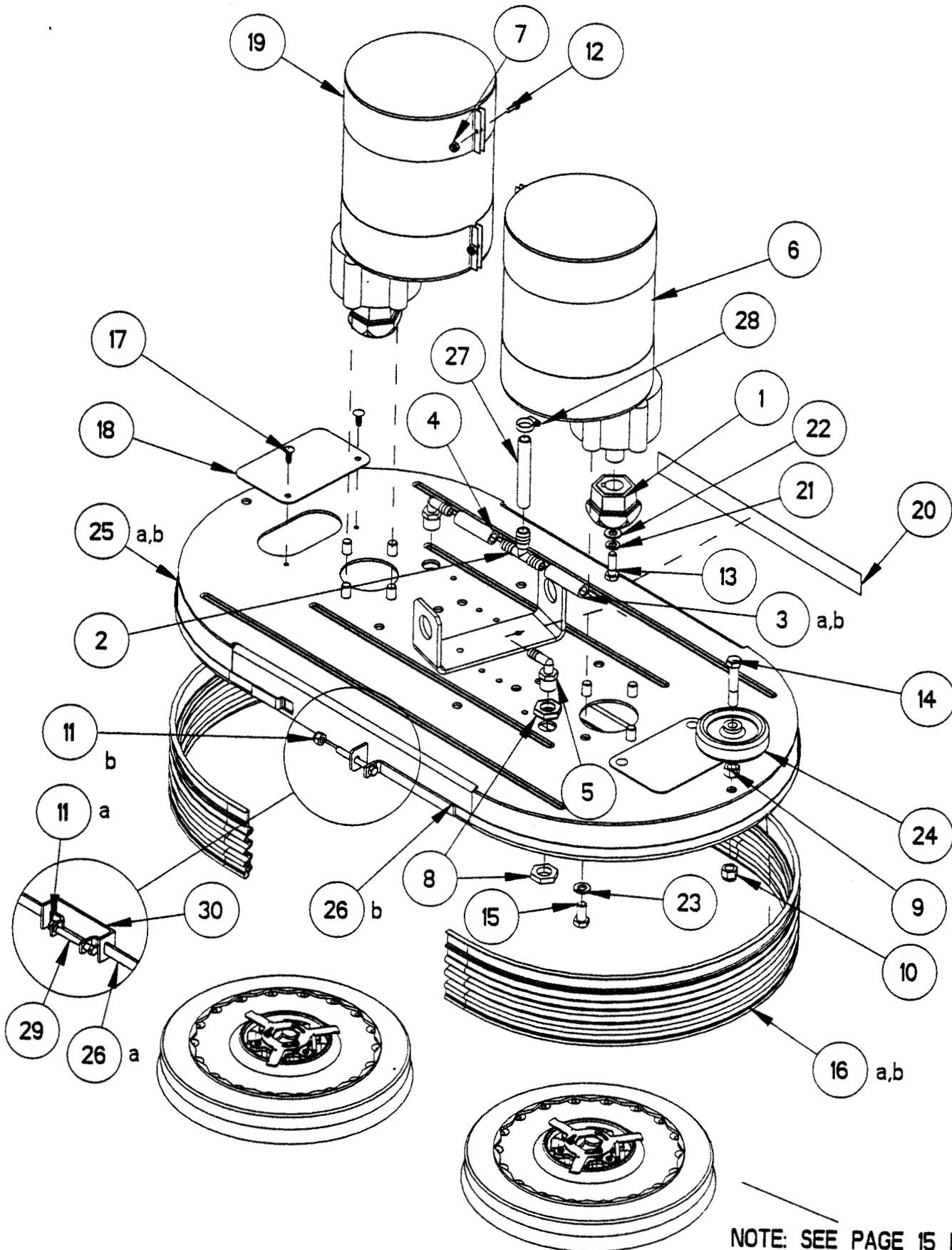
BRUSH/ DECK LIFT ASSEMBLY



BRUSH/SCRUB HEAD LIFT ASSEMBLY PARTS LIST

Ref.	Part No.	Qty	Description	Serial No.		Notes
				From	To	
1	05124	1	ACTUATOR, 36 VDC 5.0 STROKE			
2	09130	4	BEARING, 1/2 NYLINER SF			
3	140227	1	BRACKET, ACTUATOR WELDMENT			
4	57111	2	NUT, 3/8-16 HEX			
5	57112	4	NUT, 3/816 SERRATED FLANGE			
6	57119	6	NUT, 3/8-16 HEX NYLOCK			
7	57216	4	NUT, 3/8-24 HEX NYLOCK			
8	57217	4	NUT, 3/8-24 HEX JAM PLTD.	0000	7299	
8	57217	2	NUT, 3/8-24 HEX JAM PLTD.	7300		
9	62676	1	PLATE, SPRING SUPPORT			
10	66232	1	PIN, CLEVIS 3/8X 1.50			
11	67406	2	ROD, 3/8-24 x 1.00 x 7.50L	6965	7299	
11	67415	2	ROD, SCRUB LIFT	7300		
12	70377	4	SCR, 3/8-16 X 1.25 HHCS GR5			
13A	70574	2	SCR. 3/8-16 X 7.5 HHCS GR5 PLTD.			MODELS: S28, S34, QQS28, QQS34
13B	70650	2	SCR, 3/8-16 X 6.0 HHCS GR5 PLTD.			MODELS: S34SP, QQS34SP
14	80102	8	SPACER. .500 OD X .391 ID X .400	0000	6964	MODELS: S28, S34, QQS28, QQS34
14	80102	4	SPACER, .500 OD X .391 ID X .400	6965		
15	80459	1	PLATE, SPRING RETAINER			
16	80606	3	COTTER, 3/8" RING			
17	80654	2	BUMPER. ADJUSTMENT			
18	80697	4	BALL JOINT ASM. 3/8-24 RH	6965	7299	
18	80697	2	BALL JOINT ASM, 3/8-24 RH	7300		
19A	81311	4	SPRING, COMP. 1.00 X 3.5L X .135W			MODELS: S28, S34, QQS28, QQS34
19B	73914	4	SPRING, COMP. .97 OD X 2.5L			MODELS: S34SP, QQS34SP
20	81406	1	PIN, CLEVIS 3/8" X 2"			
21	82060	1	PIN, CLEVIS 3/8 X 5.25			
22	89121	1	WELDMENT, SCRUB DECK PIN			
23	89142	2	WELDMENT, SCRUB DECK LINKAGE	0000	6964	MODELS: S28, S34, QQS28, QQS34
23	89142	1	WELDMENT, SCRUB DECK LINKAGE	6965		
24	57263	2	NUT, 3/8-24 UNF LH	7300		
25	140353	2	BALL JOINT ASM. 3/8-24 LH	7300		

SCRUB DECK ASSEMBLY

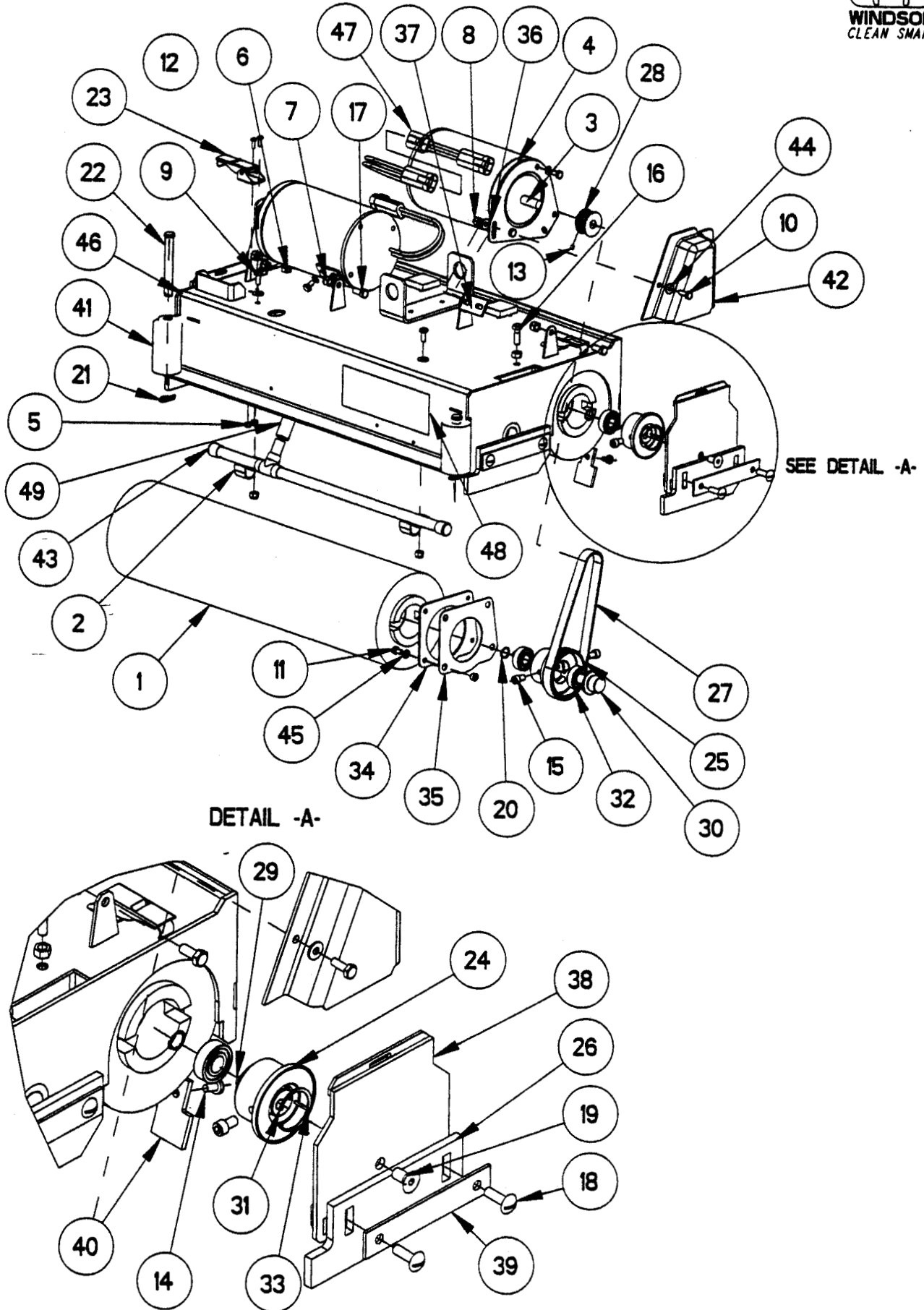


NOTE: SEE PAGE 15 FOR
BRUSH OPTION CHART.

SCRUB DECK ASSEMBLY PARTS LIST

Ref	Part No.	Qty	Description	Serial No.		Notes
				From	To	
1	34327	2	DRI (S)			
2	34327	1	FITTING, 112 X 3/8 X 318 RED. TEE			
3A	39452	1	HOSE, 3/8 NYLOBRAID X 5.5"			MODELS: S28, QQS28
3B	39410	1	HOSE, 3/8 NYLOBRAID X 4"			MODELS: S34, QQS34
4	39053	1	HOSE, 3/8 NYLOBRAID X 7.0"			
5	40043	2	HOSEBARB, 3/8 MPT X 3/8 HOSE 90			
6	53632	2	MOTOR ASM., 36VDC 200 RPM 3/4 GEAR			
7	57026	4	NUT, 8-32 HEX NYLOCK			
8	81380	4	NUT, SEALED BULKHEAD			
9	57111	1	NUT, 318-16 HEX			
10	57119	1	NUT, 3/8-16 HEX NYLOCK			
11A	57252	1	NUT, 10-24 HEX NYLOCK SS			MODELS: S34, QQS34
11B	57245	1	NUT, 10-24 HEX NYLOCK SS			MODELS: S28, QQS28
12	70051	4	SCR, 8-32 X 1/2 PPHMS SS			
13	70083	2	SCR, 5/16-18 X 1.00 HHCS SS			
74	70385	1	SCR, 3/8-16 X 2.00 HHCS GR5			
15	70507	8	SCR, 3/8-16 X 314 HHCS GR5			
16A	73889	1	SKIRT, SHROUD 3.25 X 65.0 L			MODELS: S28, QQS28
16B	73834	1	SKIRT, SHROUD 3.25 X 80.0 L			MODELS: S34, QQS34
17	80805	4	CLIP, TREE .19 HOLE FLAT HEAD			
18	81898	2	COVER, BRUSH RELEASE			
19	82259	4	GUARD, MOTOR			
20	82923	1	PAD, ANT SLIP 1.00 x 12. L			
21	87083	2	WASHER, 5/16 SPLIT			
22	87142	2	WASHER, .34 X .69 FLAT			
23	87163	8	WASHER, 318 SPLIT			
24	89059	1	WHEEL, PT20 SQUEEGEE			
25A	81806	1	WELDMENT, SCRUB HEAD 34"			
25B	89143	1	WELDMENT, SCRUB HEAD 2 8			
26A	81302	1	WELDMENT, SKIRT RETAINER 34"			
26B	89145	1	WELDMENT, SKIRT RETAINER 28"			
27	39521	1	HOSE, 1/2 NYLOBRAID X 36"			
28	20042		CLAMP, 318 HOSE (D-SLOT)			
29	70600		SCR, 10-24 X 2 HHMS SS			MODELS: S34, QQS34
30	82042		CHANNEL, STRAP SUPPORT			MODELS: S34, QQS34

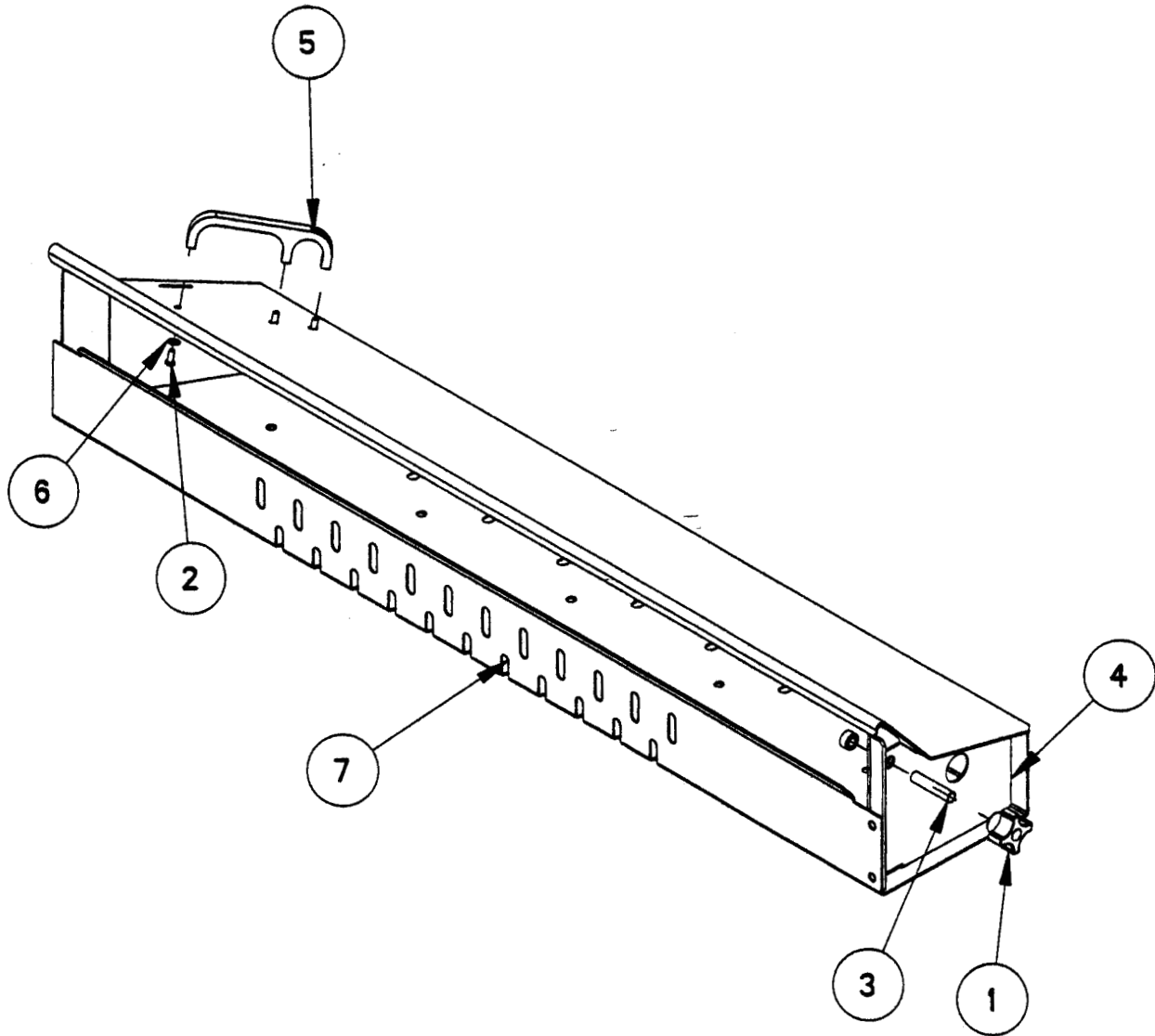
CYLINDRICAL BRUSH HEAD ASSEMBLY



CYLINDRICAL BRUSH HEAD ASSEMBLY PARTS LIST

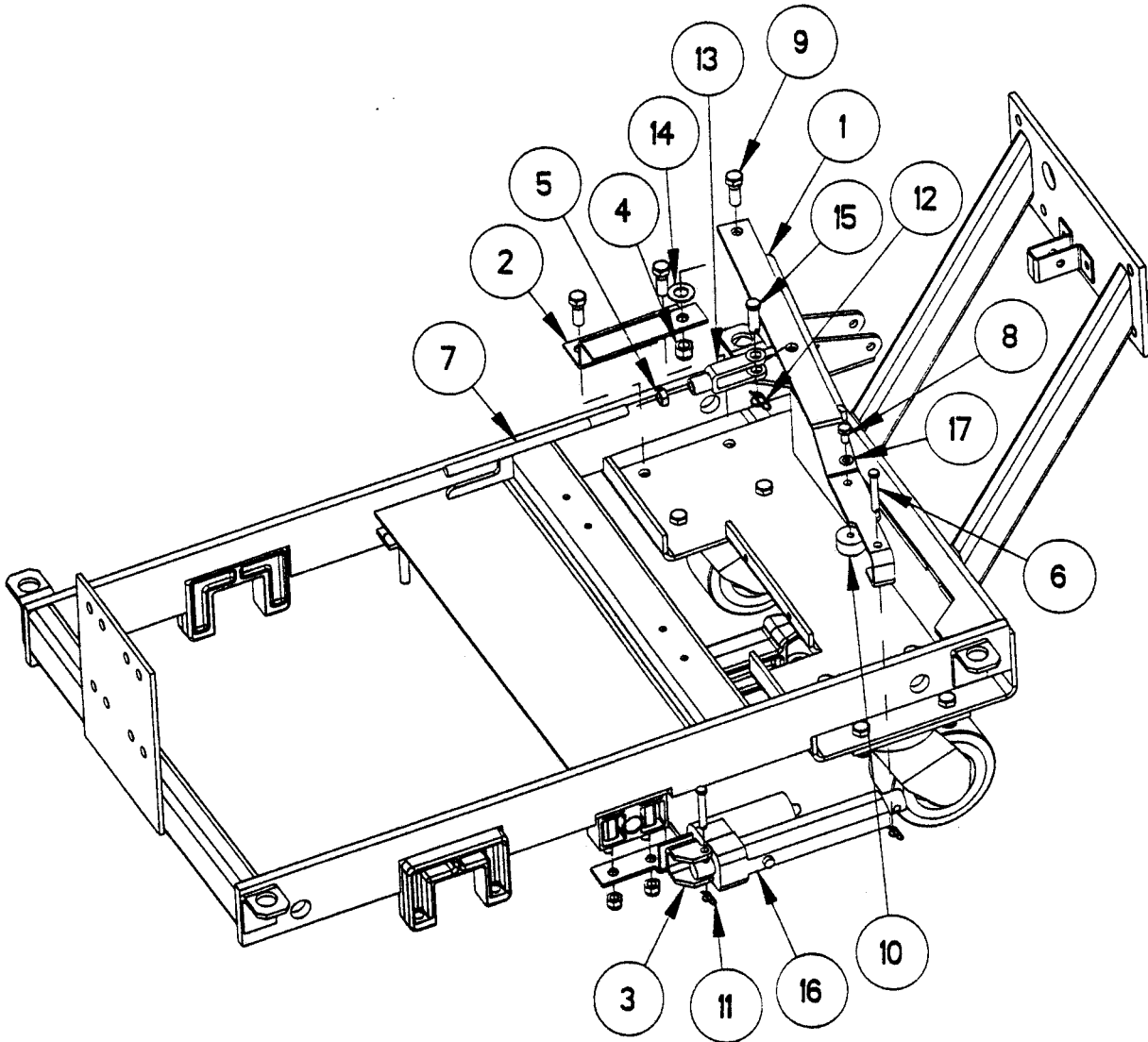
Ref	Part No.	Qty	Description	Serial No.		Notes
				From	To	
1	-	2	BRUSH			SEE OPTIONS PAGE 15
2	20003	2	CLAMP, 1/2 DIA. THINWALL CONDUIT			
3	48050	2	KEY, 1/4 X 3/4			
4	53638	2	MOTOR, 36V 3/4HP 1725 RPM			
5	57026	4	NUT, 8-32 HEX NYLOCK			
6	57031	2	NUT, 5/16-18 HEX			
7	57113	4	NUT, 5/16-18 HEX NYLOCK			
8	57245	6	NUT, 1/4-20 HEX NYLOCK SS			
9	70011	2	SCR, 1/4-20 X 5/8 HHCS SS			
10	70015	4	SCR, 1/4-20x 3/4 HHCS SS			
11	70020	20	SCR, 1/4-20 X 1/2 PPHMS SS			
12	70051	4	SCR, 8-32 X 1/2 PPHMS SS			
13	70074	4	SCR, 10-32 X 1/4 SSSCU DL			
14	70085	2	SCR, 1/4-20 X 1/2 PPHMS SS DL			
15	70176	8	SCR, 5/16-18 X 1/2 SHCS			
16	70302	2	SCR, 5/16-18 X 1.00 STHMS			
17	70305	4	SCR, 5/16-18 X 3/4 HHCS GR5			
18	70514	8	SCR, 5/16-18 X 1.00 STHMS			
19	70572	2	SCR, 3/8-16 X 3/4 FHSCS			
20	73166	4	RING, 19/32 RETAINING SH			
21	80607	2	COTTER, 1/2" RING			
22	80818	2	PIN, CLEVIS 1/2 X 3.75			
23	81488	2	LATCH, SQUEEGEE STRAP			
24	81547	2	HUB, IDLER CYL SCRUB			
25	81548	2	HUB, DRIVE CYL SCRUB			
26	81555	4	SQUEEGEE, SIDE CYL SCRUB			
27	830670	2	BELT, CYL BRUSH DRIVE			
28	830669	2	PULLEY, MOTOR DRIVE CYL BRUSH			
29	82034	2	SHAFT, IDLER CYL SCRUB			
30	82035	2	SHAFT, DRIVER CYL SCRUB			
31	82043	2	RING, 1.38 RETAINING HO			
32	82045	6	BEARING, 1.38 X .59 X .43			
33	82070	2	PIN, ROLL 3/32 X 5/8 SS			
34	82225	2	PLATE, SEAL RETAINER			
35	82226	2	SEAL, DRIVER CYL SCRUB			
36	82227	2	PLATE, MOTOR MOUNT			
37	82228	2	ANGLE, MOTOR MOUNT			
38	82229	2	WELDMENT, DOOR CYL SCRUB			
39	82234	4	BAR, RETAINER			
40	82236	2	FLAP, SIDE CYL SCRUB			
41	82242	2	ROLLER, SIDE CYL SCRUB			
42	82254	2	GUARD, BELT CYL SCRUB MACH.			
43	82446	1	TUBE ASM., SOL DELIVERY			
44	87013	10	WASHER, 1/4 X 5/8 FIAT SS			
45	87025	16	WASHER, 1/4 EXT STAR SS			
46	89129	1	WELDMENT, SCRUBHEAD 34 CYL			
47	880212	1	WIRE ASM, REV POLARITY JUMPER			
48	82552	1	DECAL, SCRUB PLUS			
49	39515	1	HOSE, 1/2 NYLOBRAID X 34"			

HOPPER ASSEMBLY



HOPPER ASSEMBLY PARTS LIST

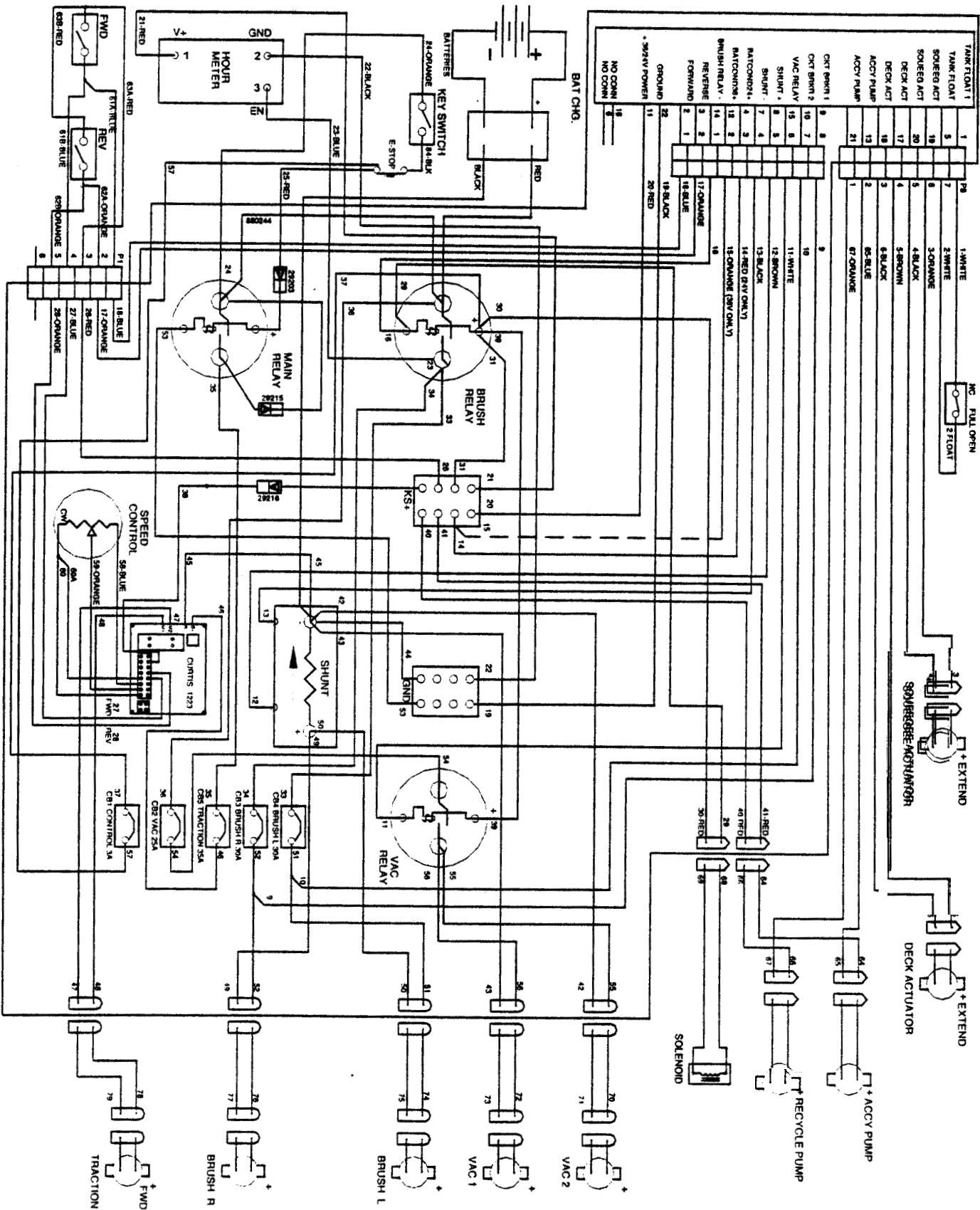
QTY	PART NO	DESCRIPTION	UNIT	REMARKS
1	48012	1	KNOB, ADM ASM. 5/16-18	
2	70612	3	SCR, 8-32 X 3/8" HHCS SS	
3	81491	1	STUD, 5/16-18 X 1.50 SS	
4	81569	1	PLATE, COVER CYL SCRUB TRACER	
5	82530	1	HANDLE, CYL SCRUB HOPPER	
6	87007	3	WASHER, #8 EXT. STAR	
7	89173	1	WELDMENT, TRAY 34 CYL SCRUB	



AUTOMATIC SQUEEGEE LIFT PARTS LIST

Ref	Part No.	Qty	Description	Serial No.		Notes
				From	To	
1	05135	1	ARM, S34 AUTO LIFT			
2	140350	1	BRKT, ACTUATOR ASM			
3	54171	1	MOUNT, AUTO LIFT ACTUATOR			
4	57119	1	NUT, 3/8-16 HEX NYLCK			
5	57217	1	NUT, 3/8-24 HEX JAM SS			
6	66275	2	PIN, CLEVIS 1/4 X 1.63			
7	67410	1	ROD, S34 AUTO LIFT PUSH			
8	70020	1	SCR, 1/4-20 X 1/2 HHCS SS			
9	70257	1	SCR. 3/8-16 X 1.00 HHCS			
10	73953	1	SPACER, 1.0 OD X .50 L			
11	80604	2	COTTER, 1/4 RING			
12	80606	1	COTTER, 3/8 RING			
13	80610	1	CLEVIS, 3/8 IN YOKE END 3/8-24			
14	80613	1	WASHER, .506 X .94 NYL			
15	80806	1	PIN, CLEVIS 3/8 X 1.13			
16	82693	1	ACTUATOR ASM, 24VDC 31N STROKE			
17	87025	1	WASHER, 1/4 EXT STAR SS			

WIRING DIAGRAM 36V





LIMITED WARRANTY

Windsor Industries, Inc. warrants new machines against defects in material and workmanship under normal use and service to the original purchaser. The warranty period is subject to the conditions stated below.

3 YEARS FOR PARTS AND 1 YEAR FOR SERVICE LABOR.

Exceptions: Rotationally molded polyethylene tanks carry a 6 year parts and 1 year service labor warranty. VERSAMATIC® models carry a 3 year warranty on brush motors, vacuum motors, and belts, and a 1 year service labor warranty. SENSOR® models carry a 2 year warranty on vacuum motors and belts, and a 1 year service labor warranty. Extractor brush motors, pump motors, pc boards and electronics, vac motors (other than VERSAMATIC® and SENSOR®), pumps, and FLEXSOL™ diaphragms, all RADIUS™ carry a 1 year parts and service labor warranty.

Normal wear items including, but not limited to, brushes, capacitors, carbon brushes, clutches, cords, filters, finishes, gaskets, hoses, light bulbs, rectifiers, switches, squeegees, bearings, pulleys, relays, actuating cables and tires will be warranted for manufacturing defects for 90 days from the purchase date.

The warranty commences on the purchase date by the original end user from an authorized Windsor Agent, subject to proof of purchase. The Machine Registration Card must be completed and returned immediately at the time of purchase. If proof of purchase cannot be identified, the warranty start date is 90 days after date of sale to an authorized Windsor distributor. Parts replaced or repaired under warranty are guaranteed for the remainder of the original warranty period.

90 DAY WARRANTY EXTENSION AVAILABLE

Upon receipt of the Machine Registration Card, Windsor will extend the warranty period an additional 90 days from the purchase date.

STATED WARRANTIES ARE IN LIEU OF ALL OTHER WARRANTIES, EXPRESSED OR IMPLIED.

Any statutory implied warranties, including any warranty of merchantability or fitness for a particular purpose, are expressly limited to the duration of this written warranty. Windsor will not be liable for any other damages, including but not limited to indirect or special consequential damages arising out of or in connection with the furnishing; performance, use or inability to use the machine. This remedy shall be the exclusive remedy of the buyer.

This warranty shall not apply to: 1.damage in transit; 2.misuse or abuse(including the use of incompatible or corrosive chemicals or overloading of capacity); 3. failure due to lack of proper maintenance and care (including cleaning); 4.any design alterations performed by an organization not authorized or specified by Windsor; 5.batteries and chargers. 6. high pressure washing. 7.electrical components exposed to moisture.

If difficulty develops during the warranty period, contact the authorized Windsor Agent from whom the product was purchased. Windsor, Inc. may elect to require the return of components to validate a claim. Any defective part to be returned must be shipped freight pre-paid to an authorized Windsor Distributor/Service Center or to the Windsor factory.

USE OF PARTS NOT APPROVED BY WINDSOR, INC. WILL VOID ALL WARRANTIES.

This warranty is valid only for all products sold after July 1, 1995. A product sold before that date shall be covered by the limited Warranty in effect at the date of sale to the original purchaser.

Revised 1/98



GARANTÍA LIMITADA

Windsor Industries, Inc., garantiza las nuevas máquinas al comprador original contra defectos de materiales y mano de obra bajo uso y servicio normal. El periodo de garantía está sujeto a las condiciones indicadas en lo que sigue.

3 AÑOS PARA PIEZAS Y 1 AÑO PARA MANO DE OBRA DE REPARACIONES

Excepciones: Los depósitos de polichileno moldeados rotacionalmente tienen una garantía de seis años en las piezas y uno en la mano de obra de reparaciones. Los modelos VERSAMATICÒ tienen una garantía de tres años en los motores de escobillas, los de vacío y las bandas y un año de mano de obra de reparaciones. Por su parte, los modelos SENSORÒ tienen dos años de garantía sobre los motores de vacío y las bandas y un año de mano de obra de reparaciones. Los motores de escobillas extractoras, los de bombas, los tableros de circuitos impresos y los dispositivos electrónicos, los motores de vacío (aparte de los VERSAMATICÒ y SENSORÒ), las bombas, los diafragmas FLEX-SOLÒ y todos los RADIUSã tienen un año de garantía en las piezas y la mano de obra de reparaciones.

Los artículos de desgaste normal, incluyendo, sin limitaciones, escobillas, capacitores, escobillas de carbono, embragues, cables, filtros, acabados, empaques, mangueras, focos, rectificadores, interruptores, secadoras, cojinetes, poleas, relés (relevadores), cables actuadores y neumáticos se garantizan contra defectos de fabricación durante 90 días a partir de la fecha de compra.

La garantía se inicia en la fecha de compra por el usuario final original en un agente autorizado de Windsor, sujeto a la prueba de adquisición. La tarjeta de registro de máquina se deberá cumplimentar y devolver inmediatamente en el momento de la compra. Si no se puede identificar la prueba de adquisición, la fecha de comienzo de la garantía será 90 días después de la fecha de venta a un distribuidor autorizado de Windsor. Las piezas reemplazadas o reparadas bajo garantía se aseguran durante el resto del periodo de cobertura original.

EXTENSIÓN DISPONIBLE DE GARANTÍA DE 90 DÍAS

Al recibir la tarjeta de registro de máquina, Windsor extenderá el periodo de garantía otros 90 días desde la fecha de compra.

LAS GARANTÍAS INDICADAS SON EN LUGAR DE TODAS LAS DEMÁS, EXPRESADAS O IMPLÍCITAS

Cualesquiera que sean las garantías implícitas estatutorias, incluyendo cualquiera de comerciabilidad o idoneidad para un fin dado, se limitan de modo expreso a la duración de esta garantía escrita. Windsor no será responsable de ningún otro daño, incluyendo, sin limitaciones, los daños indirectos o consecuentes especiales que se deriven de la conexión con la provisión, el rendimiento, el uso o la imposibilidad de utilizar la máquina. Este remedio será el único que tendrá el comprador.

La garantía no se aplicará a: 1. Daños en tránsito; 2. Mal uso o malos tratos (incluyendo el empleo de productos químicos incompatibles o corrosivos o la sobrecarga de la capacidad); 3. Fallo debido a falta de cuidados y mantenimiento apropiado (incluyendo limpieza); 4. Cualquier modificación del diseño llevada a cabo por alguna organización no autorizada ni especificada por Windsor; 5. Baterías y cargadores. 6. Lavado a alta presión. 7. Componentes eléctricos expuestos a la humedad.

Si se presentan dificultades durante el periodo de garantía, póngase en contacto con el distribuidor autorizado de Windsor al que le haya adquirido el producto. Windsor, Inc., puede optar por exigir la devolución de los componentes para validar una reclamación. Cualquier pieza defectuosa que se devuelva se deberá enviar con flete previamente pagado a un centro de servicio o distribuidor autorizado de Windsor o la fábrica de esta última empresa.

LA UTILIZACIÓN DE PIEZAS NO APROBADAS POR WINDSOR, INC. ANULARÁ TODAS LAS GARANTÍAS

Esta garantía es válida sólo para todos los productos vendidos después del 1 de julio de 1995. Cualquier producto vendido antes de esa fecha deberá estar cubierto por la garantía limitada en vigor en la fecha de la venta al comprador original.

Revised 1/98



EINGESCHRÄNKTE GARANTIE

Windsor Industries, Inc., garantiert, daß neue Geräte im Rahmen normaler Gebrauchs- und Servicebedingungen durch den Erstkäufer frei von Material- und Verarbeitungsfehlern sind. Die Garantiezeit unterliegt den nachfolgend aufgeführten Bedingungen.

3 JAHRE FÜR TEILE UND 1 JAHR FÜR SERVICE

Ausnahmen: Rotationsgegossene Polyethylen-Tanks werden mit einer 6-jährigen Teile- und einer 1-jährigen Servicegarantie geliefert. VERSAMATIC®-Modelle sind mit einer 3-jährigen Garantie für Bürstenmotoren, Saugmotoren und Riemen und einer 1-jährigen Servicegarantie ausgestattet. Für SENSOR®-Modelle gilt eine 2-jährige Garantie für Saugmotoren und Riemen und eine 1-jährige Servicegarantie. Ejektor-Bürstenmotoren, Pumpenmotoren, Leiterplatten und elektronische Bauteile, Saugmotoren (außer VERSAMATIC® und SENSOR®), Pumpen, FLEXSOL™-Membranen und alle RADIUS™-Geräte werden durch eine 1-jährige Teile- und Servicegarantie geschützt.

Zu den Bauteilen, die normaler Abnutzung ausgesetzt sind, zählen u. a. Bürsten, Kondensatoren, Kohlenstoffbürsten, Kupplungen, Kabel, Filter, Beschichtungen, Dichtungen, Schläuche, Glühbirnen, Gleichrichter, Schalter, Wischer, Lager, Rollen, Relais, Stellkabel und Reifen. Es wird garantiert, daß diese 90 Tage lang ab Kaufdatum frei von Verarbeitungsfehlern sind.

Die Garantiezeit beginnt mit dem Datum des Kaufs durch den ersten Endkäufer von einem autorisierten Windsor-Vertreter und unterliegt dem Nachweis eines Kaufbelegs. Die Geräteregistrierungskarte muß ausgefüllt und sofort nach dem Kauf an Windsor geschickt werden. Wenn der Kaufbeleg nicht identifiziert werden kann, beginnt die Garantiezeit 90 Tage nach dem Datum des Verkaufs an ein autorisiertes Windsor-Vertriebsunternehmen. Die im Rahmen der Garantie ersetzten oder reparierten Teile unterliegen während des Rests der ursprünglichen Garantiezeit der Garantie.

90-TÄGIGE GARANTIEVERLÄNGERUNG MÖGLICH

Bei Empfang der Geräteregistrierungskarte verlängert Windsor den Garantiezeitraum um weitere 90 Tage ab dem Kaufdatum.

HIERIN GENANNTEN GARANTIE GELTEN ANSTELLE ALLER ANDEREN AUSDRÜCKLICH ODER STILLSCHWEIGEND GEWÄHRTEN GARANTIE.

Jegliche vorgeschriebenen stillschweigend gewährten Garantien, einschließlich der Garantie der Vermarktbarkeit oder Eignung für einen bestimmten Zweck, werden ausdrücklich auf die Gültigkeitsdauer dieser schriftlichen Garantie beschränkt. Windsor haftet nicht für irgendwelche andere Schäden, einschließlich, aber nicht beschränkt auf indirekte Schäden oder Folgeschadensansprüche, die auf Lieferung, Leistung, Verwendung oder nicht mögliche Verwendung dieses Geräts zurückzuführen sind oder damit verbunden sind. Dieser Anspruch stellt den einzigen Anspruch des Käufers dar.

Diese Garantie gilt nicht für: 1. Beschädigungen während des Transports. 2. Mißbrauch oder fehlerhafte Verwendung (einschließlich der Verwendung nicht kompatibler oder korrosiver Chemikalien oder einer Überbelastung jenseits der Kapazitätsgrenzen des Geräts). 3. Funktionsstörungen aufgrund der Unterlassung der notwendigen Wartungs- und Pflegearbeiten (einschließlich der Reinigung). 4. Jegliche Änderungen der Bauweise des Geräts, die nicht von einer von Windsor autorisierten oder angegebenen Organisation vorgenommen wurden. 5. Batterien und Ladegeräte. 6. Hochdruckwäsche. 7. Elektrische Bauteile, die Feuchtigkeit ausgesetzt sind.

Wenn während der Garantiezeit Probleme auftreten sollten, wenden Sie sich bitte an den autorisierten Windsor-Vertreter, bei dem Sie das Produkt erworben haben. Windsor, Inc. kann die fehlerhaften Bauteile auf Wunsch anfordern, um die Gültigkeit eines Anspruchs zu überprüfen. Alle defekten und an Windsor zurückzusendenden Teile müssen an ein autorisiertes Vertriebsunternehmen/Service-Zentrum von Windsor oder an das Windsor-Werk selbst geschickt werden. Die Frachtkosten trägt der Kunde.

VERWENDUNG VON NICHT VON WINDSOR, INC., GENEHMIGTEN TEILEN MACHT ALLE GARANTIE UNGÜLTIG.

Diese Garantie gilt nur für alle Produkte, die nach dem 1. Juli 1995 verkauft wurden. Ein vor diesem Datum verkauftes Produkt unterliegt der zum Datum des Kaufs durch den Erstkäufer gültigen eingeschränkten Garantie.



GARANTIE LIMITÉE

Windsor Industries, Inc. garantit à l'acheteur d'origine les machines neuves contre tout vice de matière et de fabrication dans des conditions normales d'utilisation et d'entretien. La période de garantie est régie par les dispositions ci-après.

3 ANS POUR LES PIÈCES ET 1 AN POUR LA MAIN-D'OEUVRE

Exceptions : Les réservoirs en polyéthylène rotomoulé sont garantis 6 ans pour les pièces et 1 an pour la main-d'oeuvre. Les modèles VERSAMATIC® sont garantis 3 ans pour les moteurs de brosses, moteurs et courroies d'aspiration, et 1 an pour la main-d'oeuvre. Les modèles SENSOR® sont garantis 2 ans pour les moteurs et courroies d'aspiration et 1 an pour la main-d'oeuvre. Les moteurs de brosses extractrices, les moteurs de pompes, les cartes à circuits imprimés et l'électronique, les moteurs d'aspiration (autres que ceux des VERSAMATIC® et SENSOR®), les pompes, les membranes FLEXSOL™ et tous les RADIUS™ sont garantis 1 an pièces et main-d'oeuvre.

Les pièces dont il est normal qu'elles s'usent, y compris, entre autres, les brosses, condensateurs, charbons, embrayages, cordons, filtres, revêtements, joints, tuyaux flexibles, ampoules électriques, redresseurs, interrupteurs, raclettes, roulements, poulies, relais, câbles de commande et pneus, sont garanties contre tout vice de fabrication pendant 90 jours à compter de la date d'achat.

La garantie entre en vigueur le jour de l'achat de la machine chez un concessionnaire agréé Windsor par l'utilisateur final d'origine, sous réserve de présentation d'une preuve de l'achat. La carte d'enregistrement de la machine doit être remplie et renvoyée immédiatement au moment de l'achat. Si la preuve de l'achat ne peut être identifiée, la garantie entre en vigueur 90 jours après la date de la vente à un distributeur agréé Windsor. Les pièces remplacées ou réparées au titre de la garantie sont couvertes pendant la période restant à courir de la garantie d'origine.

PROLONGATION POSSIBLE DE 90 JOURS DE LA GARANTIE

Lors de la réception de la carte d'enregistrement de la machine, Windsor prolongera la période de garantie de 90 jours supplémentaires à compter de la date de l'achat.

LES GARANTIES DÉCLARÉES SE SUBSTITUENT A TOUTE AUTRE GARANTIE EXPRESSE OU TACITE

Toute garantie tacite réglementaire, y compris toute garantie de valeur marchande ou d'adaptation à un usage particulier, est expressément limitée à la durée de la présente garantie. Windsor ne sera responsable d'aucun autre dommage, y compris, entre autres, les dommages indirects ou fortuits spéciaux résultant de ou liés à la mise à disposition de la machine, à son fonctionnement, à son utilisation ou à l'impossibilité de l'utiliser. Ce dédommagement sera le seul offert à l'acheteur.

La présente garantie ne s'applique pas : 1) aux dommages en cours de transport; 2) à un usage incorrect ou abusif (y compris l'utilisation de produits chimiques corrosifs ou incompatibles, ou un dépassement de capacité); 3) à une panne due à un manque d'entretien approprié (y compris le nettoyage); 4) à toute modification effectuée par un établissement non agréé ni spécifié par Windsor; 5) aux batteries et chargeurs; 6) au lavage haute pression; 7) aux composants électriques exposés à l'humidité.

Si un problème se pose pendant la période de garantie, prendre contact avec le concessionnaire agréé auquel la machine a été achetée. Windsor peut choisir de demander le retour des organes concernés pour valider un recours en garantie. Toute pièce défectueuse à renvoyer doit être expédiée en port payé à un concessionnaire/centre de réparation agréé Windsor ou à l'usine.

L'UTILISATION DE PIÈCES NON AUTORISÉES PAR WINDSOR ANNULERA TOUTE GARANTIE.

La présente garantie n'est valable que pour toutes les machines vendues après le 1er juillet 1995. Une machine vendue avant cette date sera couverte par la garantie limitée en vigueur à la date de sa vente à l'acheteur d'origine.

Revised 1/98