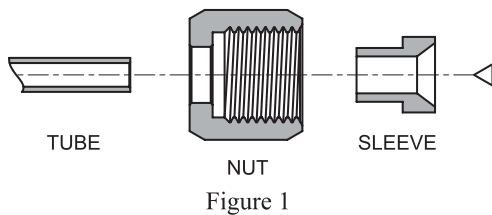




SAE 37° Flared Tube Fittings



MEETS SAE STANDARD J514



If required, see SAE Standard J514 for a complete list of dimensions. NPT Tapered Pipe Threads meet the requirements of ASME/ANSI B1.20.1.

All 37° Flared tube fittings 3 piece tube assembly, can be used with metric tube by using a metric 37° sleeve, instead of an inch sleeve. Each dimension table shows which metric sleeve should be used for every size.

ASSEMBLY INSTRUCTIONS

1. Cut the tube to the proper length.
2. Slide the nut and sleeve onto the tube. (See Fig.1).
3. With a special flaring tool, form the flare to 37° dimension according to SAE J533. (see page 3).
4. Screw the nut onto the body until finger tight.
5. From this position, tighten the nut with a wrench 1/4" turn in order to make a leakproof metal-to-metal connection.

TUBING DATA FOR 37° FLARE THREE-PIECE TUBE ASSEMBLY

In order to ensure maximum fitting reliability and performance, please take great care when selecting the tube for each application. Tubing should be a fully annealed, seamless and drawn, suitable for bending and flaring, according to standard ASTM-269, AISI 316 or 304.

QUALITY

Lengths of finished tubing should be reasonably straight and have smooth ends, free from burrs. Tubing should be free from scale and injurious defects, and it should have a workmanlike finish. Surface imperfections such as handling marks, die marks, or shallow pits will not be considered injurious defects provided the imperfections are within the tolerances specified for diameter and wall thickness. The removal of such imperfections is not required. (Quality SAE J524).

TUBE HANDLING

Scratches on the tube might cause leaks. It is, therefore, important to handle the tube carefully to reduce the risk of leaks.

1. Tubes must not be dragged on the floor.
2. Tubes must not be dragged out of a tubing rack, especially in cases of large OD tubes.

TUBE CUTTING

Two different methods can be used to cut tubes:

1. Tube cutter
2. Hacksaw

TUBE CUTTER

To attain a leakfree connection, the tubing must be cut squarely.

A good quality tube cutter with the appropriate blade for the tubing material is recommended.

Do not try to reduce the time of cutting by taking deep cuts with each turn of the cutter.

The end of the tube must be deburred to avoid damage to the fitting and to ensure that the tube reaches the bottom of the fitting.

HACKSAW CUTTING

In order to cut the tube with a hacksaw and to attain square ends, the tube must be cut with guide blocks. This method of cutting requires deburring of the tube ends.

WARNING

Do not hold the tube in a vise in the place where it will be inserted into the fitting. The vise will leave a mark on the tube that may cause leaks and might cause ovality.

ASSEMBLY INSTRUCTIONS

Perform flaring according to SAE J533. See Fig. 2. See Table 1 below for dimensions .

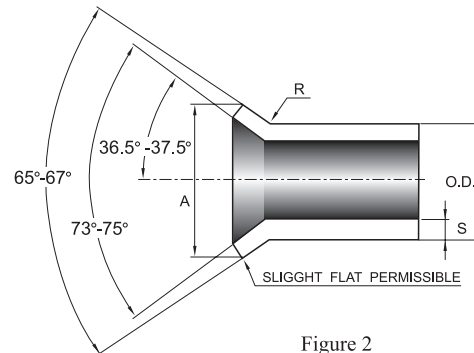


Figure 2

TABLE 1: FLARING

Nominal Tube O.D.	A single flare diameter				R		S	
	in		mm		in	mm	in	mm
	Max	Min	Max	Min	±0.02	±0.5	Max	Min
1/8	0.20	0.18	5.08	4.58	0.03	0.8	0.035	0.88
3/16	0.28	0.26	7.11	6.61	0.03	0.8	0.035	0.88
1/4	0.36	0.34	9.14	8.64	0.03	0.8	0.065	1.65
5/16	0.43	0.40	10.92	10.16	0.03	0.8	0.065	1.65
3/8	0.49	0.46	12.44	11.69	0.04	1.0	0.065	1.65
1/2	0.66	0.63	16.76	16.01	0.06	1.5	0.083	2.10
5/8	0.79	0.76	20.06	19.31	0.06	1.5	0.095	2.41
3/4	0.95	0.92	24.13	23.37	0.08	2.0	0.109	2.76
7/8	1.07	1.04	27.17	26.42	0.08	2.0	0.109	2.76
1	1.20	1.17	30.48	29.72	0.09	2.3	0.120	3.04
1 1/8	1.38	1.35	35.05	34.92	0.09	2.3	0.120	3.04
1 1/4	1.51	1.48	38.35	37.60	0.09	2.3	0.120	3.04
1 1/2	1.73	1.70	43.94	43.18	0.11	2.8	0.120	3.04

DEBURRING PRIOR TO FLARING

To ensure satisfactory flares are produced, it may be necessary to deburr the tube end prior to flaring. It is usually necessary to break the inside corner smoothly before single flaring, and some non-ferrous tubing to eliminate is normally required to eliminate the cutoff burr which might otherwise create leakage paths across a substantial portion of the flare. It is acceptable to smoothly break the outside corner prior to single flaring, or both outside and inside corners prior to double flaring, on any tube material to minimize splitting.

Dimensions are for reference only, and are subject to change without notice.

TABLE 2 : ALLOWABLE WORKING PRESSURE RATINGS (CAPABLE OF 4" TO 1" MIN. BURST)

Nom.SAE Dash Size	Nom.Tube O.D Inches	37°Flare Straight Thread	Nom.Pipe Size	SAE St. Threads Union and Bulkhead (psi)	Fittings with Pipe Threads (psi)
2	1/8	5/16" - 24	1/8"	5000	5000
3	3/16	3/8" - 24	1/8"	5000	5000
4	1/4	7/16" - 20	1/8"	5000	5000
5	5/16	1/2" - 20	1/8"	5000	5000
6	3/8	9/16" - 18	1/4"	5000	5000
8	1/2	3/4" - 16	3/8"	4500	4000
10	5/8	7/8" - 14	1/2"	3500	3000
12	3/4	1 1/16" - 12	3/4"	3500	3000
14	7/8	1 3/16" - 12	3/4"	3000	2500
16	1	1 5/16" - 12	1"	3000	2000
20	1 1/4	1 5/8" - 12	1 1/4"	2500	1150
24	1 1/2	1 7/8" - 12	1 1/2"	2000	1000
32	2	2 1/2" - 12	2"	1500	1000

NOTE

Since many factors influence the pressure at which a system will or will not perform satisfactorily, values shown in Table 2 should not be construed as guaranteed minimum.

Design and Construction

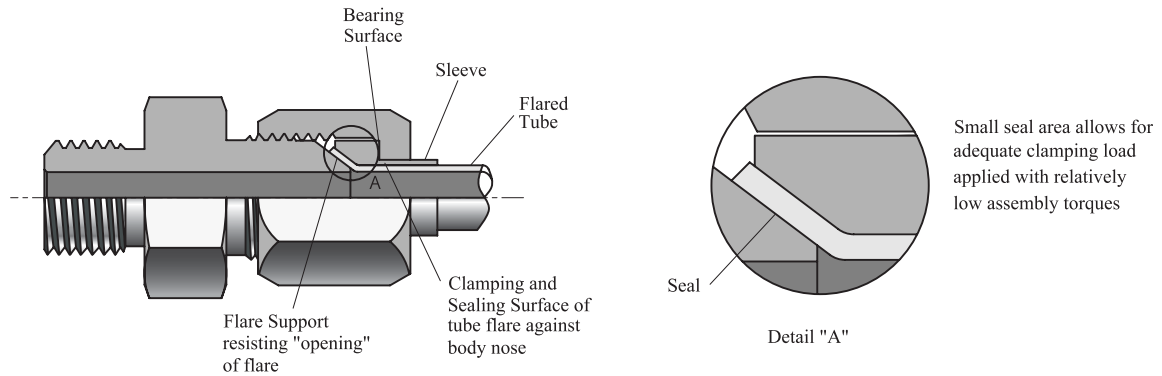


Figure 3

The SAE 37° Flared Tube Fittings design is simple. It uses an easily produced flare at the tube end to seal and hold fluid under high pressure. The fitting consists of three pieces: the body, sleeve and nut. The tube end is flared at a 37° angle (74° included angle) and held between the fitting nose (seat) and the sleeve (support) with the nut as shown in Fig. 3, providing a very effective (single) seal between the fitting nose and the tube flare.

The design of SAE 37° Flared Tube Fittings is very efficient. The fitting incorporates the smallest seal area of all fitting types. This seal area, as seen in Fig. 3, is only slightly larger than the fluid flow area. The small seal area results in a compact design, low assembly torque, and a relatively high-pressure capability.

Tube Designator

Fractional Tube	O.D Identify	1/8	3/16	1/4	5/16	3/8	1/2	5/8	3/4	7/8	1	1 1/4	1 1/2	2
		2T	3T	4T	5T	6T	8T	10T	12T	14T	16T	20T	24T	32T

Thread Designator

Pipe thread




































THREAD SIZE	1/8	1/4	3/8	1/2	3/4	1	1 1/4	1 1/2	2
NPT (ASME/ANSI B1.20.1)	1N	2N	3N	4N	6N	8N	10N	12N	16N
ISO/BSP TAPER (ISO 7/1, BSPT)	1R	2R	3R	4R	6R	8R	10R	12R	16R
ISO/BSP PARALLEL (ISO 228/1, BSPP)	1G	2G	3G	4G	6G	8G	10G	12G	16G

Unified thread

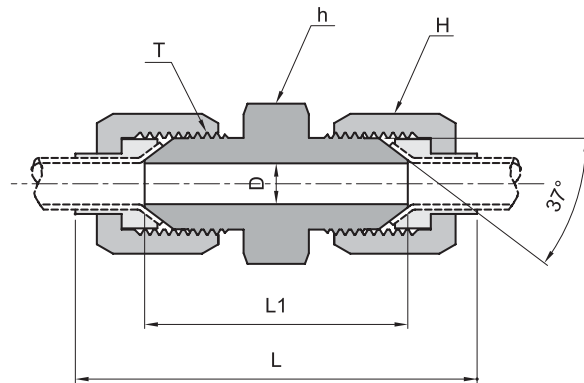
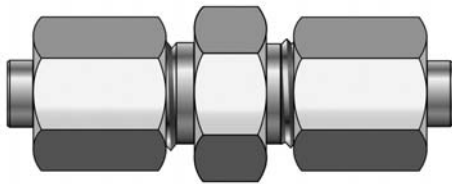
THREAD SIZE	5/16-24	3/8-24	7/16-20	1/2-20	9/16-18	3/4-16	7/8-14	1 1/16-12	1 3/16-12	1 5/16-12	1 5/8-12	1 7/8-12	2 1/2-12
UNIFIED THREAD (ASME B1.1)	2U	3U	4U	5U	6U	8U	10U	12U	14U	16U	20U	24U	32U

37 ° Flared Tube Fitting

INDEX

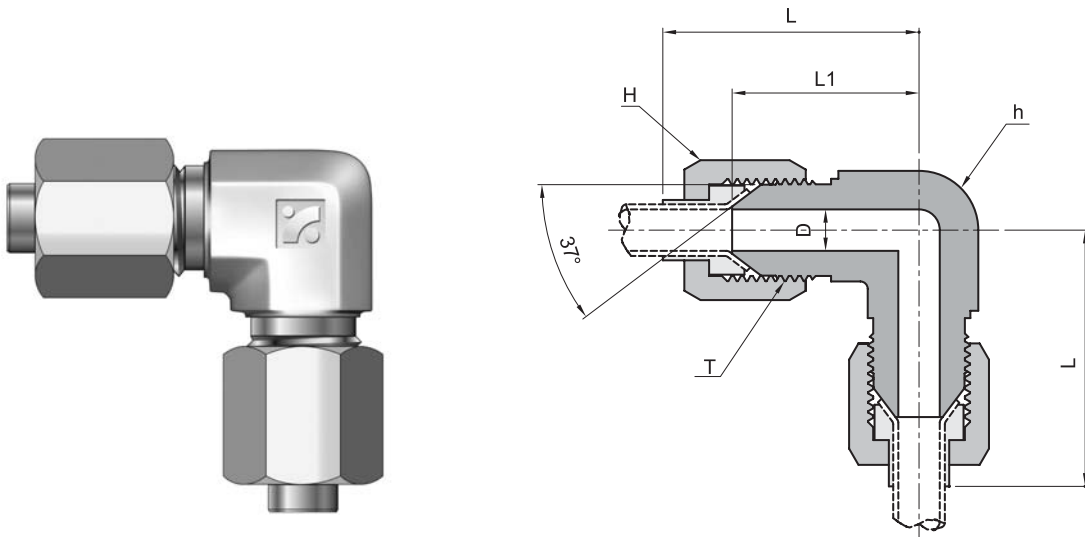
	Union6P JU		45° Male Elbow18P JHME		O-Ring Seal Male Swivel Connector JOMSC30P
	Union Elbow7P JUE		Female Connector19P JFC		Female Swivel Connector JFSC31P
	Union Tee8P JUT		Female Elbow20P JFE		Swivel Elbow32P JSE
	Union Cross9P JUC		Female Run Tee21P JFRT		Swivel Run Tee33P JSRT
	Bulkhead Union10P JBHU		Female Branch Tee22P JFBT		Swivel Branch Tee ..34P JSBT
	Weld Bulkhead Union11P JBWU		O-Ring Seal Male Connector(PF) JOMC-G23P		Plug35P JP
	Female Bulkhead Union ...12P JFBU		O-Ring Seal Male Connector,(UNF/UN) JOMC-U24P		Tube Cap35P JC
	Bulkhead Union Elbow ...13P JBUE		O-Ring Seal Male Elbow JOME25P		Reducer Adapter36P JRA
	Male Connector14P JMC		O-Ring Seal 45° Male Elbow JOHME26P		Bulkhead Lock Nut ..36P JLN
	Male Elbow15P JME		O-Ring Seal Branch Tee JOBT27P		Nut37P JN
	Male Run Tee16P JMRT		O-Ring Seal Run Tee JORT28P		Sleeve37P JS
	Male Branch Tee17P JMBT		Male Swivel Connector29P JMSC		

JU SAE J514 Union



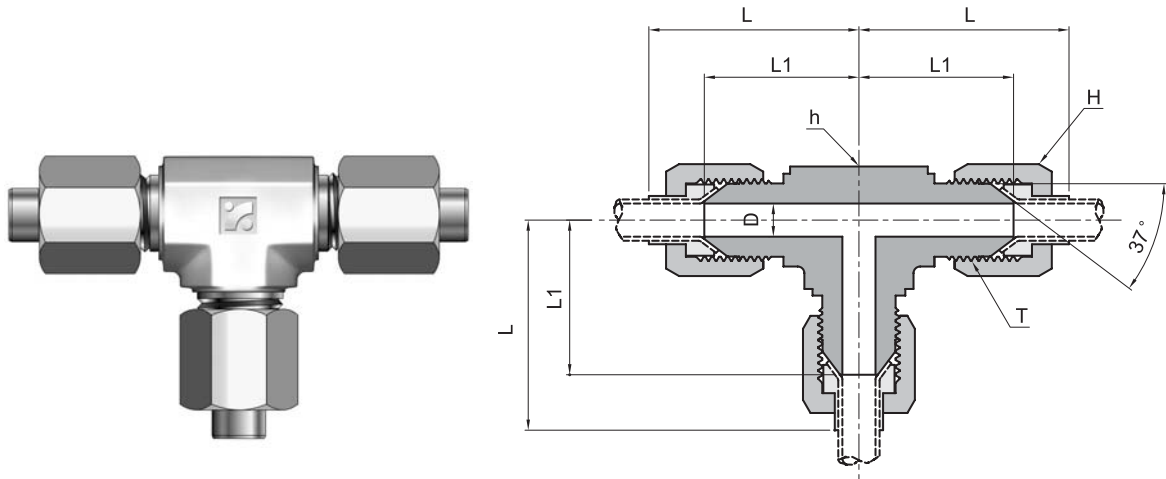
Part Number	Tube O.D.		T (UNF/UN)	D	h (HEX)	H (HEX)	L	L1
	Inch	Metric						
JU-2T	1/8	3	5/16 - 24	1.6	11.1	9.5	45.3	29.7
JU-3T	3/16	4	3/8 - 24	3.2	11.1	11.1	50.0	31.2
JU-4T	1/4	6	7/16 - 20	4.4	12.7	14.3	53.0	34.8
JU-5T	5/16	8	1/2 - 20	6.0	14.3	15.9	55.6	34.8
JU-6T	3/8	10	9/16 - 18	7.5	15.9	17.5	59.6	35.8
JU-8T	1/2	12	3/4 - 16	9.9	20.2	22.2	66.5	41.1
JU-10T	5/8	16	7/8 - 14	12.3	23.8	22.2	81.0	47.8
JU-12T	3/4	18	1 1/16 - 12	15.5	28.5	31.8	85.9	54.9
JU-14T	7/8	22	1 3/16 - 12	18.3	31.7	34.9	91.3	56.1
JU-16T	1	25	1 5/16 - 12	21.4	34.9	38.1	95.2	57.2
JU-20T	1 1/4	32	1 5/8 - 12	27.4	42.9	50.8	98.7	61.7
JU-24T	1 1/2	38	1 7/8 - 12	33.3	50.4	57.2	123.2	69.8
JU-32T	2	50	2 1/2 - 12	45.2	66.7	73.0	141.4	86.4

JUE SAE J514 Union Elbow



Part Number	Tube O.D.		T (UNF/UN)	D	h (HEX)	H (HEX)	L	L1
	Inch	Metric						
JUE-2T	1/8	3	5/16 - 24	1.6	11.1	9.5	27.4	19.6
JUE-3T	3/16	4	3/8 - 24	3.2	11.1	11.1	30.5	21.1
JUE-4T	1/4	6	7/16 - 20	4.4	11.1	14.3	31.7	22.6
JUE-5T	5/16	8	1/2 - 20	6.0	14.3	15.9	34.5	24.1
JUE-6T	3/8	10	9/16 - 18	7.5	14.3	17.5	38.8	26.9
JUE-8T	1/2	12	3/4 - 16	9.9	19.0	22.2	44.5	31.8
JUE-10T	5/8	16	7/8 - 14	12.3	22.2	22.2	53.4	36.8
JUE-12T	3/4	18	1 1/16 - 12	15.5	27.0	31.8	57.7	42.2
JUE-14T	7/8	22	1 3/16 - 12	18.3	33.3	34.9	63.3	45.7
JUE-16T	1	25	1 5/16 - 12	21.4	33.3	38.1	65.0	46.0
JUE-20T	1 1/4	32	1 5/8 - 12	27.4	41.3	50.8	70.8	52.3
JUE-24T	1 1/2	38	1 7/8 - 12	33.3	47.6	57.2	85.9	59.2
JUE-32T	2	50	2 1/2 - 12	45.2	63.5	73.0	105.2	77.7

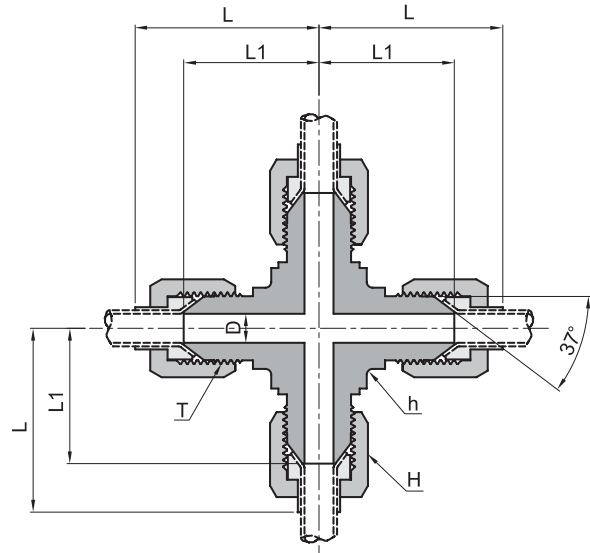
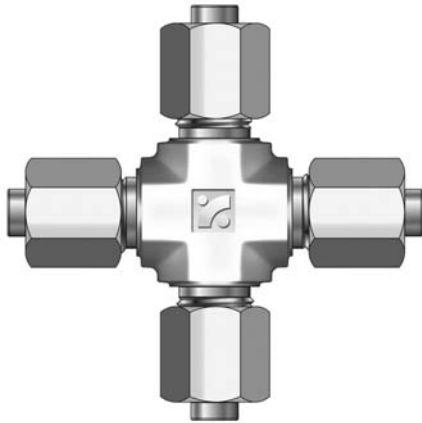
JUT SAE J514 Union Tee



Part Number	Tube O.D.		T (UNF/UN)	D	h (HEX)	H (HEX)	L	L1
	Inch	Metric						
JUT-2T	1/8	3	5/16 - 24	1.6	11.1	9.5	27.4	19.6
JUT-3T	3/16	4	3/8 - 24	3.2	11.1	11.1	30.5	21.1
JUT-4T	1/4	6	7/16 - 20	4.4	11.1	14.3	31.7	22.6
JUT-5T	5/16	8	1/2 - 20	6.0	14.3	15.9	34.5	24.1
JUT-6T	3/8	10	9/16 - 18	7.5	14.3	17.5	38.8	26.9
JUT-8T	1/2	12	3/4 - 16	9.9	19.0	22.2	44.5	31.8
JUT-10T	5/8	16	7/8 - 14	12.3	22.2	22.2	53.4	36.8
JUT-12T	3/4	18	1 1/16 - 12	15.5	27.0	31.8	57.7	42.2
JUT-14T	7/8	22	1 3/16 - 12	18.3	33.3	34.9	63.3	45.7
JUT-16T	1	25	1 5/16 - 12	21.4	33.3	38.1	65.0	46.0
JUT-20T	1 1/4	32	1 5/8 - 12	27.4	41.3	50.8	70.8	52.3
JUT-24T	1 1/2	38	1 7/8 - 12	33.3	47.6	57.2	85.9	59.2
JUT-32T	2	50	2 1/2 - 12	45.2	63.5	73.0	105.2	77.7

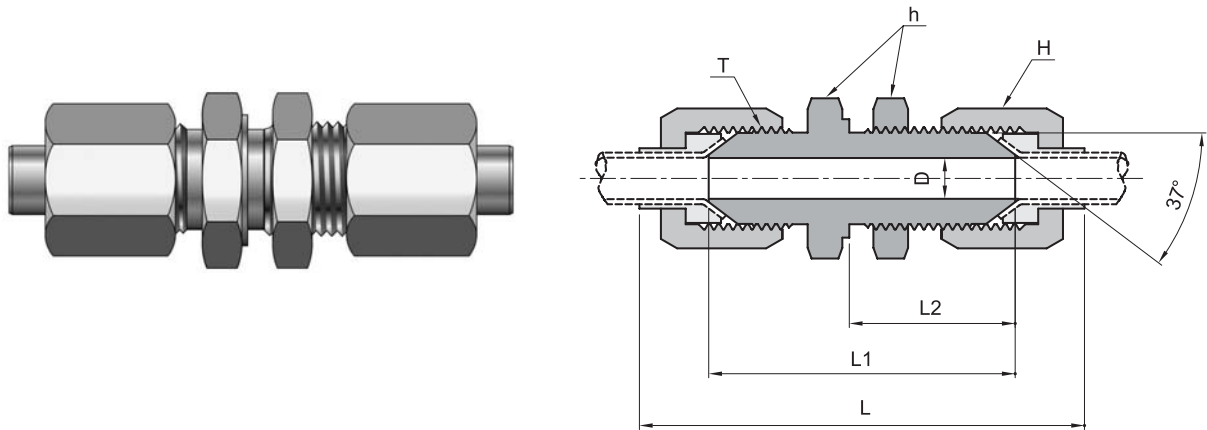
JUC SAE J514

Union Cross



Part Number	Tube O.D.		T (UNF/UN)	D	h (HEX)	H (HEX)	L	L1
	Inch	Metric						
JUC-2T	1/8	3	5/16 - 24	1.6	11.1	9.5	27.4	19.6
JUC-3T	3/16	4	3/8 - 24	3.2	11.1	11.1	30.5	21.1
JUC-4T	1/4	6	7/16 - 20	4.4	11.1	14.3	31.7	22.6
JUC-5T	5/16	8	1/2 - 20	6.0	14.3	15.9	34.5	24.1
JUC-6T	3/8	10	9/16 - 18	7.5	14.3	17.5	38.8	26.9
JUC-8T	1/2	12	3/4 - 16	9.9	19.0	22.2	44.5	31.8
JUC-10T	5/8	16	7/8 - 14	12.3	22.2	22.2	53.4	36.8
JUC-12T	3/4	18	1 1/16 - 12	15.5	27.0	31.8	57.7	42.2
JUC-14T	7/8	22	1 3/16 - 12	18.3	33.3	34.9	63.3	45.7
JUC-16T	1	25	1 5/16 - 12	21.4	33.3	38.1	65.0	46.0
JUC-20T	1 1/4	32	1 5/8 - 12	27.4	41.3	50.8	70.8	52.3
JUC-24T	1 1/2	38	1 7/8 - 12	33.3	47.6	57.2	85.9	59.2
JUC-32T	2	50	2 1/2 - 12	45.2	63.5	73.0	105.2	77.7

JBHU SAE J514 Bulkhead Union

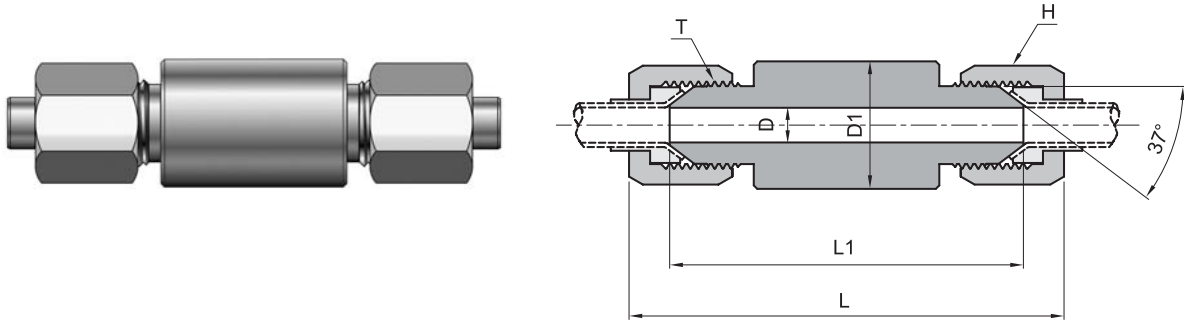


Part Number	Tube O.D.		T (UNF/UN)	D	h (HEX)	H (HEX)	L	L1	L2
	Inch	Metric							
JBHU-2T	1/8	3	5/16 - 24	1.6	14.3	9.5	63.1	47.5	28.2
JBHU-3T	3/16	4	3/8 - 24	3.2	15.9	11.1	67.1	48.3	28.2
JBHU-4T	1/4	6	7/16 - 20	4.4	17.5	14.3	70.8	52.6	30.5
JBHU-5T	5/16	8	1/2 - 20	6.0	19.1	15.9	73.4	52.6	30.5
JBHU-6T	3/8	10	9/16 - 18	7.5	20.6	17.5	79.2	55.4	32.5
JBHU-8T	1/2	12	3/4 - 16	9.9	25.4	22.2	87.4	62.0	36.6
JBHU-10T	5/8	16	7/8 - 14	12.3	28.6	22.2	102.8	69.6	40.1
JBHU-12T	3/4	18	1 1/16 - 12	15.5	34.9	31.8	109.5	78.5	44.4
JBHU-14T	7/8	22	1 3/16 - 12	18.3	38.1	34.9	114.4	79.2	44.4
JBHU-16T	1	25	1 5/16 - 12	21.4	41.3	38.1	117.8	79.8	44.4
JBHU-20T	1 1/4	32	1 5/8 - 12	27.4	47.6	50.8	121.1	84.1	45.7
JBHU-24T	1 1/2	38	1 7/8 - 12	33.3	54.0	57.2	142.8	89.4	46.0
JBHU-32T	2	50	2 1/2 - 12	45.2	69.9	73.0	161.7	106.7	53.1

10 All dimensions are in millimeters unless otherwise specified. Dimensions are for reference only, subject to change.

JBUW

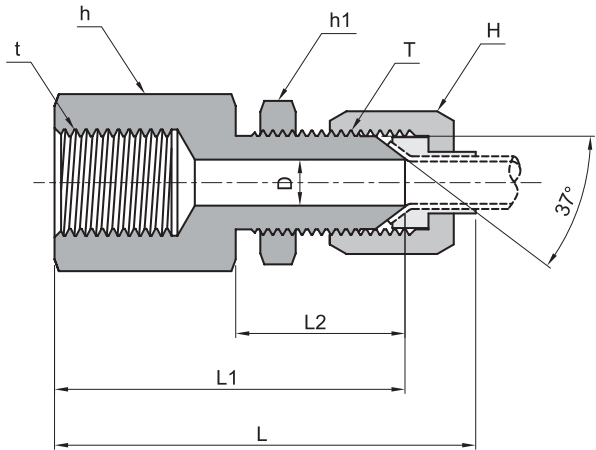
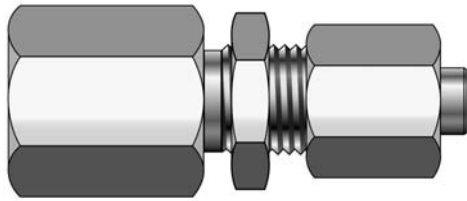
Weld Bulkhead Union



Part Number	Tube O.D.		T (UNF/UN)	D	D1	H (HEX)	L	L1
	Inch	Metric						
JBUW-2T	1/8	3	5/16 - 24	1.6	11.0	9.5	85.6	70.0
JBUW-3T	3/16	4	3/8 - 24	3.2	11.0	11.1	88.8	70.0
JBUW-4T	1/4	6	7/16 - 20	4.4	14.0	14.3	98.2	80.0
JBUW-5T	5/16	8	1/2 - 20	6.0	16.0	15.9	120.8	100.0
JBUW-6T	3/8	10	9/16 - 18	7.5	17.0	17.5	123.8	100.0
JBUW-8T	1/2	12	3/4 - 16	9.9	22.0	22.2	125.4	100.0
JBUW-10T	5/8	16	7/8 - 14	12.3	25.0	22.2	143.2	110.0
JBUW-12T	3/4	18	1 1/16 - 12	15.5	30.0	31.8	151.0	120.0
JBUW-14T	7/8	22	1 3/16 - 12	18.3	32.0	34.9	165.0	130.0
JBUW-16T	1	25	1 5/16 - 12	21.4	40.0	38.1	168.0	130.0
JBUW-20T	1 1/4	32	1 5/8 - 12	27.4	46.0	50.8	177.0	140.0
JBUW-24T	1 1/2	38	1 7/8 - 12	33.3	50.0	57.2	193.4	140.0
JBUW-32T	2	50	2 1/2 - 12	45.2	70.0	73.0	205.0	150.0

JFBU

Female Bulkhead Union

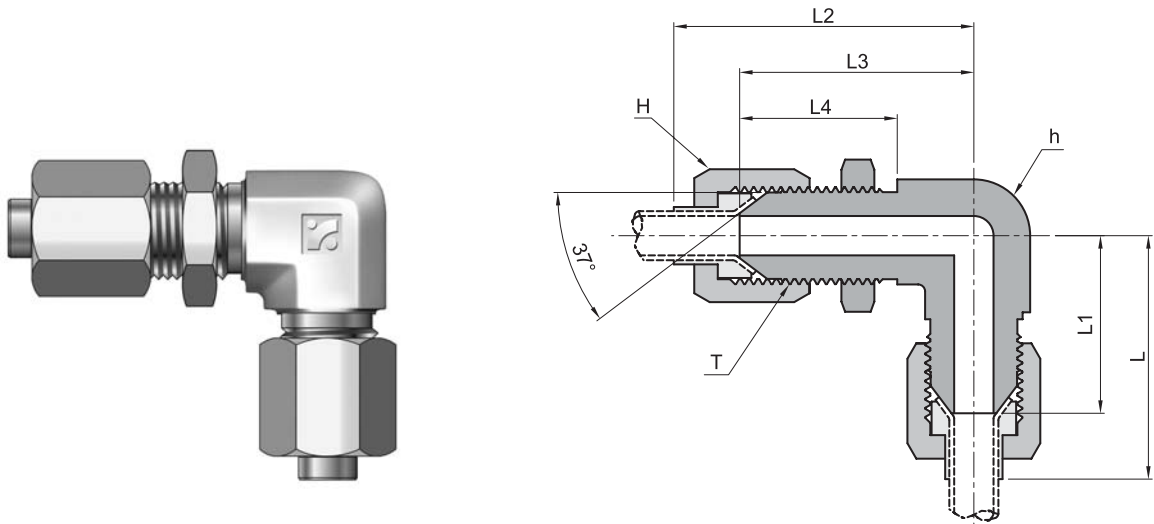


Part Number	Tube O.D.		T (UNF/UN)	t (NPT)	D	h (HEX)	h1 (HEX)	H (HEX)	L	L1	L2
	Inch	Metric									
JFBU2T-01N	1/8	3	5/16 - 24	1/8	1.6	14.3	14.3	9.5	49.0	41.2	28.2
JFBU3T-01N	3/16	4	3/8 - 24	1/8	3.2	14.3	15.9	11.1	50.6	41.2	28.2
JFBU4T-01N	1/4	6	7/16 - 20	1/8	4.4	14.3	17.5	14.3	52.6	43.5	30.5
JFBU5T-01N	5/16	8	1/2 - 20	1/8	6.0	14.3	19.1	15.9	53.9	43.5	30.5
JFBU6T-02N	3/8	10	9/16 - 18	1/4	7.5	19.1	20.6	17.5	62.5	50.5	32.5
JFBU8T-03N	1/2	12	3/4 - 16	3/8	9.9	22.2	25.4	22.2	69.3	56.6	36.6
JFBU10T-04N	5/8	16	7/8 - 14	1/2	12.3	28.6	28.6	22.2	82.7	66.1	40.1
JFBU12T-06N	3/4	18	1 1/16 - 12	3/4	15.5	34.9	34.9	31.8	86.0	71.4	44.4
JFBU14T-06N	7/8	22	1 3/16 - 12	3/4	18.3	34.9	38.1	34.9	89.0	71.4	44.4
JFBU16T-08N	1	25	1 5/16 - 12	1	21.4	41.3	41.3	38.1	94.4	75.4	44.4
JFBU20T-10N	1 1/4	32	1 5/8 - 12	1 1/4	27.4	50.8	47.6	50.8	99.2	80.7	45.7
JFBU24T-12N	1 1/2	38	1 7/8 - 12	1 1/2	33.3	60.3	54.0	57.2	107.7	81.0	46.0
JFBU32T-16N	2	50	2 1/2 - 12	2	45.2	73.0	69.9	73.0	120.6	93.1	53.1

12 All dimensions are in millimeters unless otherwise specified. Dimensions are for reference only, subject to change.

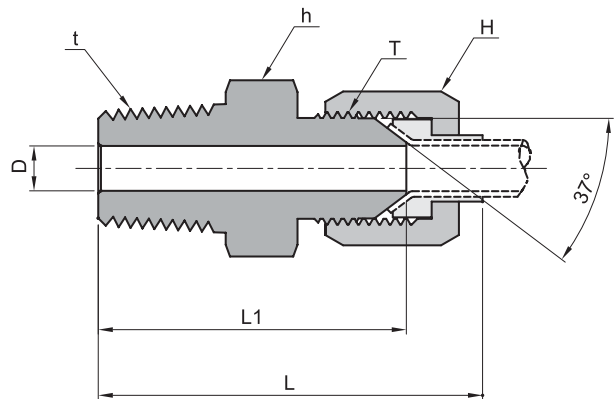
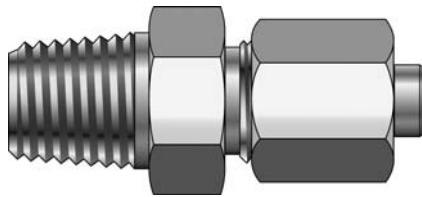
JBUE SAE J514

Bulkhead Union Elbow



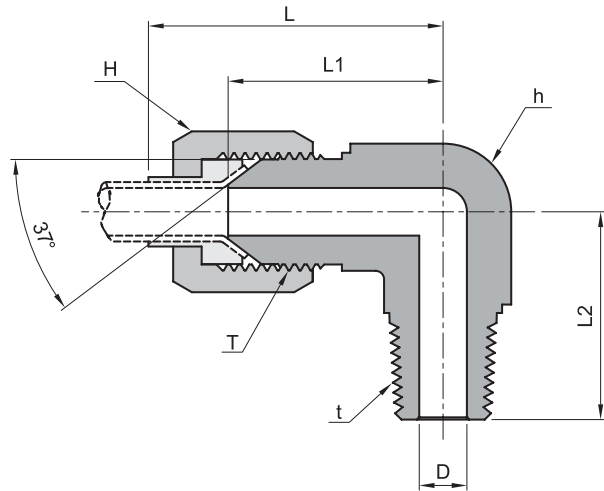
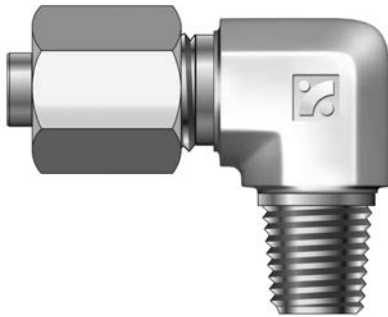
Part Number	Tube O.D.		T (UNF/UN)	h (HEX)	H (HEX)	L	L1	L2	L3	L4
	Inch	Metric								
JBUE-2T	1/8	3	5/16 - 24	11.1	9.5	30.2	22.4	45.9	38.1	23.4
JBUE-3T	3/16	4	3/8 - 24	11.1	11.1	33.3	23.9	47.5	38.1	23.4
JBUE-4T	1/4	6	7/16 - 20	11.1	14.3	33.7	24.6	49.5	40.4	25.9
JBUE-5T	5/16	8	1/2 - 20	14.3	15.9	37.3	26.9	54.1	43.7	25.9
JBUE-6T	3/8	10	9/16 - 18	14.3	17.5	39.6	27.7	57.9	46.0	27.7
JBUE-8T	1/2	12	3/4 - 16	19.0	22.2	47.2	34.5	66.3	53.6	31.8
JBUE-10T	5/8	16	7/8 - 14	22.2	22.2	56.2	39.6	77.3	60.7	35.8
JBUE-12T	3/4	18	1 1/16 - 12	27.0	31.8	60.7	45.2	83.1	67.6	39.6
JBUE-14T	7/8	22	1 3/16 - 12	33.3	34.9	66.4	48.8	88.7	71.1	39.6
JBUE-16T	1	25	1 5/16 - 12	33.3	38.1	68.3	49.3	90.1	71.1	39.6
JBUE-20T	1 1/4	32	1 5/8 - 12	41.3	50.8	73.6	55.1	97.7	79.2	40.9
JBUE-24T	1 1/2	38	1 7/8 - 12	47.6	57.2	86.1	59.4	113.6	86.9	41.1
JBUE-32T	2	50	2 1/2 - 12	63.5	73.0	100.9	73.4	131.9	104.4	48.5

JMC SAE J514 Male Connector



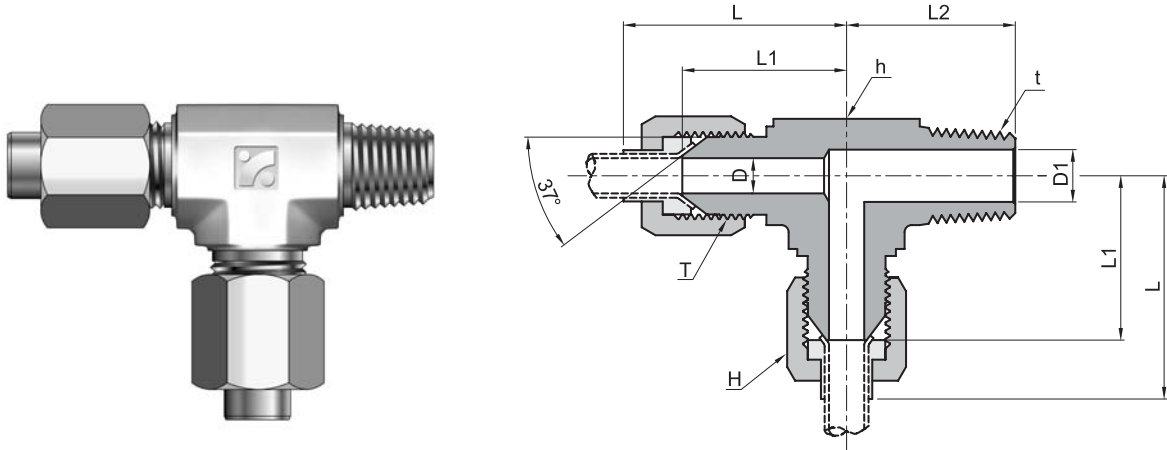
Part Number	Tube O.D.		T (UNF/UN)	t (NPT)	D	h (HEX)	H (HEX)	L	L1
	Inch	Metric							
JMC2T-01N	1/8	3	5/16 - 24	1/8	1.6	11.1	9.5	36.0	28.2
JMC3T-01N	3/16	4	3/8 - 24	1/8	3.2	11.1	11.1	38.4	29.0
JMC4T-01N	1/4	6	7/16 - 20	1/8	4.4	12.7	14.3	40.1	31.0
JMC5T-01N	5/16	8	1/2 - 20	1/8	6.0	14.3	15.9	41.4	31.0
JMC6T-02N	3/8	10	9/16 - 18	1/4	7.5	15.9	17.5	48.2	36.3
JMC8T-03N	1/2	12	3/4 - 16	3/8	9.9	20.6	22.2	51.6	38.9
JMC10T-04N	5/8	16	7/8 - 14	1/2	12.3	23.8	22.2	64.6	48.0
JMC12T-06N	3/4	18	1 1/16 - 12	3/4	15.5	28.6	31.8	67.8	52.3
JMC14T-06N	7/8	22	1 3/16 - 12	3/4	18.3	31.8	34.9	70.7	53.1
JMC16T-08N	1	25	1 5/16 - 12	1	21.4	34.9	38.1	77.4	58.4
JMC20T-10N	1 1/4	32	1 5/8 - 12	1 1/4	27.4	42.9	50.8	80.7	62.2
JMC24T-12N	1 1/2	38	1 7/8 - 12	1 1/2	33.3	50.8	57.2	94.8	68.1
JMC32T-16N	2	50	2 1/2 - 12	2	45.2	66.7	73.0	106.5	79.0

JME SAE J514 Male Elbow



Part No.	Tube O.D.		T (UNF/UN)	t (NPT)	D	h (HEX)	H (HEX)	L	L1	L2
	Inch	Metric								
JME2T-01N	1/8	3	5/16 - 24	1/8	1.6	11.1	9.5	27.4	19.6	18.3
JME3T-01N	3/16	4	3/8 - 24	1/8	3.2	11.1	11.1	30.5	21.1	18.3
JME4T-01N	1/4	6	7/16 - 20	1/8	4.4	11.1	14.3	31.7	22.6	19.8
JME5T-01N	5/16	8	1/2 - 20	1/8	6.0	14.3	15.9	34.5	24.1	19.8
JME6T-02N	3/8	10	9/16 - 18	1/4	7.5	14.3	17.5	38.8	26.9	27.7
JMEC8T-03N	1/2	12	3/4 - 16	3/8	9.9	19.0	22.2	44.5	31.8	31.0
JME10T-04N	5/8	16	7/8 - 14	1/2	12.3	22.2	22.2	53.4	36.8	37.3
JME12T-06N	3/4	18	1 1/16 - 12	3/4	15.5	27.0	31.8	57.7	42.2	40.4
JME14T-06N	7/8	22	1 3/16 - 12	3/4	18.3	33.3	34.9	63.3	45.7	42.9
JME16T-08N	1	25	1 5/16 - 12	1	21.4	33.3	38.1	65.0	46.0	50.0
JME20T-10N	1 1/4	32	1 5/8 - 12	1 1/4	27.4	41.3	50.8	70.8	52.3	60.5
JME24T-12N	1 1/2	38	1 7/8 - 12	1 1/2	33.3	47.6	57.2	85.9	59.2	67.1
JME32T-16N	2	50	2 1/2 - 12	2	45.2	63.5	73.0	105.2	77.7	76.2

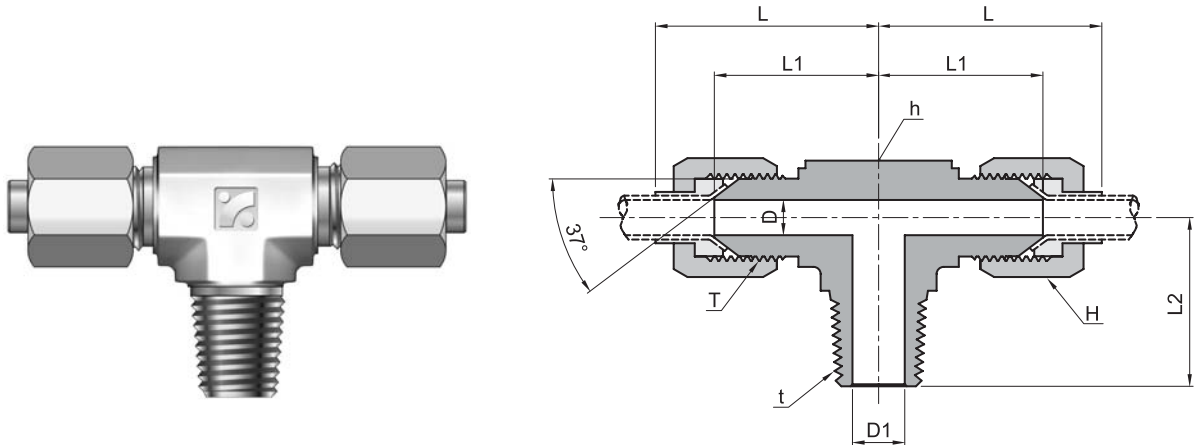
JMRT SAE J514 Male Run Tee



Part Number	Tube O.D.		T (UNF/UN)	t (NPT)	D	D1	h1 (HEX)	H (HEX)	L	L1	L2
	Inch	Metric									
JMRT2T-01N	1/8	3	5/16 - 24	1/8	1.6	4.8	11.1	9.5	27.4	19.6	18.3
JMRT3T-01N	3/16	4	3/8 - 24	1/8	3.2	4.8	11.1	11.1	30.5	21.1	18.3
JMRT4T-01N	1/4	6	7/16 - 20	1/8	4.4	4.8	11.1	14.3	31.7	22.6	19.8
JMRT5T-01N	5/16	8	1/2 - 20	1/8	6.0	4.8	14.3	15.9	34.5	24.1	19.8
JMRT6T-02N	3/8	10	9/16 - 18	1/4	7.5	7.0	14.3	17.5	38.8	26.9	27.7
JMRT8T-03N	1/2	12	3/4 - 16	3/8	9.9	10.3	19.0	22.2	44.5	31.8	31.0
JMRT10T-04N	5/8	16	7/8 - 14	1/2	12.3	13.5	22.2	22.2	53.4	36.8	37.3
JMRT12T-06N	3/4	18	1 1/16 - 12	3/4	15.5	18.3	27.0	31.8	57.7	42.2	40.4
JMRT14T-06N	7/8	22	1 3/16 - 12	3/4	18.3	18.3	33.3	34.9	63.3	45.7	42.9
JMRT16T-08N	1	25	1 5/16 - 12	1	21.4	23.8	33.3	38.1	65.0	46.0	50.0
JMRT20T-10N	1 1/4	32	1 5/8 - 12	1 1/4	27.4	31.7	41.3	50.8	70.8	52.3	60.5
JMRT24T-12N	1 1/2	38	1 7/8 - 12	1 1/2	33.3	38.0	47.6	57.2	85.9	59.2	67.1
JMRT32T-16N	2	50	2 1/2 - 12	2	45.2	49.0	63.5	73.0	105.2	77.7	76.2

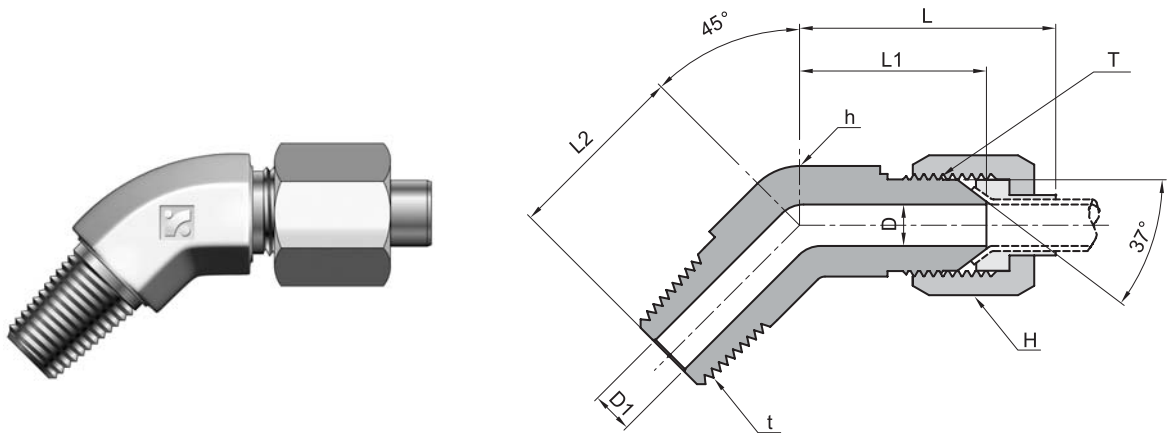
JMBT SAE J514

Male Branch Tee



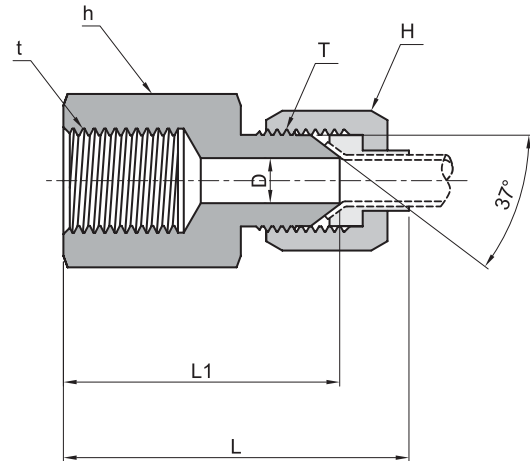
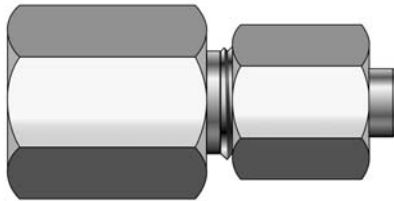
Part Number	Tube O.D.		T (UNF/UN)	t (NPT)	D	D1	h (HEX)	H (HEX)	L	L1	L2
	Inch	Metric									
JMBT2T-01N	1/8	3	5/16 - 24	1/8	1.6	4.8	11.1	9.5	27.4	19.6	18.3
JMBT3T-01N	3/16	4	3/8 - 24	1/8	3.2	4.8	11.1	11.1	30.5	21.1	18.3
JMBT4T-01N	1/4	6	7/16 - 20	1/8	4.4	4.8	11.1	14.3	31.7	22.6	19.8
JMBT5T-01N	5/16	8	1/2 - 20	1/8	6.0	4.8	14.3	15.9	34.5	24.1	19.8
JMBT6T-02N	3/8	10	9/16 - 18	1/4	7.5	7.0	14.3	17.5	38.8	26.9	27.7
JMBT8T-03N	1/2	12	3/4 - 16	3/8	9.9	10.3	19.0	22.2	44.5	31.8	31.0
JMBT10T-04N	5/8	16	7/8 - 14	1/2	12.3	13.5	22.2	22.2	53.4	36.8	37.3
JMBT12T-06N	3/4	18	1 1/16 - 12	3/4	15.5	18.3	27.0	31.8	57.7	42.2	40.4
JMBT14T-06N	7/8	22	1 3/16 - 12	3/4	18.3	18.3	33.3	34.9	63.3	45.7	42.9
JMBT16T-08N	1	25	1 5/16 - 12	1	21.4	23.8	33.3	38.1	65.0	46.0	50.0
JMBT20T-10N	1 1/4	32	1 5/8 - 12	1 1/4	27.4	31.7	41.3	50.8	70.8	52.3	60.5
JMBT24T-12N	1 1/2	38	1 7/8 - 12	1 1/2	33.3	38.0	47.6	57.2	85.9	59.2	67.1
JMBT32T-16N	2	50	2 1/2 - 12	2	45.2	49.0	63.5	73.0	105.2	77.7	76.2

JHME SAE J514 45° Male Elbow



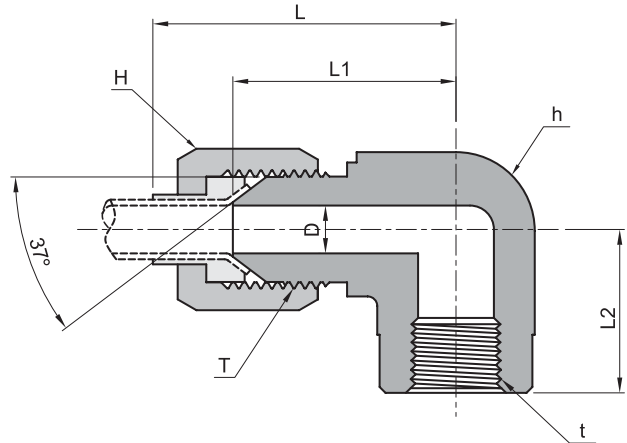
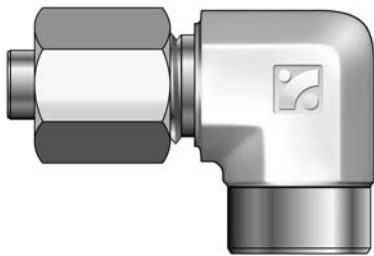
Part Number	Tube O.D.		T (UNF/UN)	t (NPT)	D	D1	h (HEX)	H (HEX)	L	L1	L2
	Inch	Metric									
JHME2T-01N	1/8	3	5/16 - 24	1/8	1.6	4.8	11.1	9.5	25.3	17.5	13.2
JHME3T-01N	3/16	4	3/8 - 24	1/8	3.2	4.8	11.1	11.0	26.9	17.5	13.2
JHME4T-01N	1/4	6	7/16 - 20	1/8	4.4	4.8	11.1	14.3	27.4	18.3	16.3
JHME5T-01N	5/16	8	1/2 - 20	1/8	6.0	4.8	14.3	15.9	30.0	19.6	16.3
JHME6T-02N	3/8	10	9/16 - 18	1/4	7.5	7.0	14.3	17.5	33.0	21.1	21.8
JHME8T-03N	1/2	12	3/4 - 16	3/8	9.9	10.3	19.0	22.2	37.6	24.9	24.1
JHME10T-04N	5/8	16	7/8 - 14	1/2	12.3	13.5	22.2	25.4	44.8	28.2	29.7
JHME12T-06N	3/4	18	1 1/16 - 12	3/4	15.5	18.3	27.0	31.8	48.0	32.5	30.5
JHME14T-06N	7/8	22	1 3/16 - 12	3/4	18.3	18.3	33.3	34.9	54.4	36.8	33.0
JHME16T-08N	1	25	1 5/16 - 12	1	21.4	23.8	33.3	38.1	56.3	37.3	37.6
JHME20T-10N	1 1/4	32	1 5/8 - 12	1 1/4	27.4	31.7	41.3	50.8	58.9	40.4	42.4
JHME24T-12N	1 1/2	38	1 7/8 - 12	1 1/2	33.3	38.0	47.6	57.2	71.9	45.2	45.0
JHME32T-16N	2	50	2 1/2 - 12	2	45.2	49.0	63.5	73.0	83.9	56.4	53.6

JFC SAE J514 Female Connector



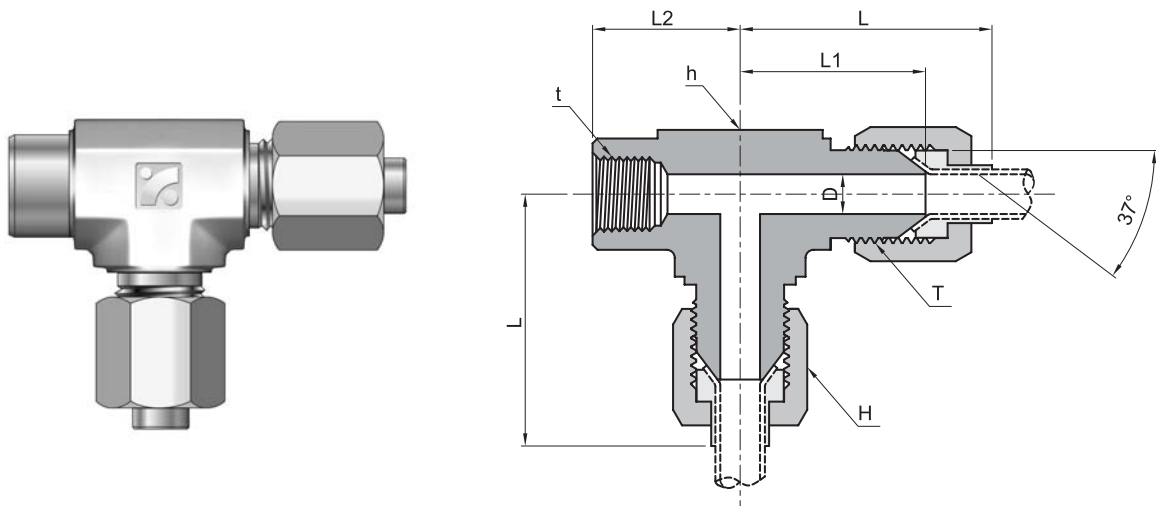
Part Number	Tube O.D.		T (UNF/UN)	t (NPT)	D	h (HEX)	H (HEX)	L	L1
	Inch	Metric							
JFC2T-01N	1/8	3	5/16 - 24	1/8	1.6	14.3	9.5	36.2	28.4
JFC3T-01N	3/16	4	3/8 - 24	1/8	3.2	14.3	11.1	38.1	28.7
JFC4T-01N	1/4	6	7/16 - 20	1/8	4.4	14.3	14.3	39.3	30.2
JFC5T-01N	5/16	8	1/2 - 20	1/8	6.0	14.3	15.9	40.1	29.7
JFC6T-02N	3/8	10	9/16 - 18	1/4	7.5	19.1	17.5	47.5	35.6
JFC8T-03N	1/2	12	3/4 - 16	3/8	9.9	22.2	22.2	52.3	39.6
JFC10T-04N	5/8	16	7/8 - 14	1/2	12.3	28.6	22.2	64.6	48.0
JFC12T-06N	3/4	18	1 1/16 - 12	3/4	15.5	34.9	31.8	67.8	52.3
JFC14T-06N	7/8	22	1 3/16 - 12	3/4	18.3	34.9	34.9	69.9	52.3
JFC16T-08N	1	25	1 5/16 - 12	1	21.4	41.3	38.1	78.7	59.7
JFC20T-10N	1 1/4	32	1 5/8 - 12	1 1/4	27.4	50.8	50.8	81.7	63.2
JFC24T-12N	1 1/2	38	1 7/8 - 12	1 1/2	33.3	60.3	57.2	93.2	66.5
JFC32T-16N	2	50	2 1/2 - 12	2	45.2	73.0	73.0	102.9	75.4

JFE SAE J514 FeMale Elbow



Part Number	Tube O.D.		T (UNF/UN)	t (NPT)	D	h (HEX)	H (HEX)	L	L1	L2
	Inch	Metric								
JFE2T-01N	1/8	3	5/16 - 24	1/8	1.6	14.3	9.5	33.2	25.4	16.8
JFE3T-01N	3/16	4	3/8 - 24	1/8	3.2	14.3	11.1	35.6	26.2	16.8
JFE4T-01N	1/4	6	7/16 - 20	1/8	4.4	14.3	14.3	36.5	27.4	16.8
JFE5T-01N	5/16	8	1/2 - 20	1/8	6.0	14.3	15.9	37.8	27.4	16.8
JFE6T-02N	3/8	10	9/16 - 18	1/4	7.5	19.0	17.5	43.1	31.2	22.4
JFE8T-03N	1/2	12	3/4 - 16	3/8	9.9	22.2	22.2	48.8	36.1	25.9
JFE10T-04N	5/8	16	7/8 - 14	1/2	12.3	27.0	22.2	58.3	41.7	31.2
JFE12T-06N	3/4	18	1 1/16 - 12	3/4	15.5	33.3	31.8	63.5	48.0	34.5
JFE14T-06N	7/8	22	1 3/16 - 12	3/4	18.3	33.3	34.9	64.8	47.2	36.1
JFE16T-08N	1	25	1 5/16 - 12	1	21.4	41.3	38.1	74.1	55.1	41.1
JFE20T-10N	1 1/4	32	1 5/8 - 12	1 1/4	27.4	47.6	50.8	77.7	59.2	43.2
JFE24T-12N	1 1/2	38	1 7/8 - 12	1 1/2	33.3	65.1	57.2	100.1	73.4	52.8
JFE32T-16N	2	50	2 1/2 - 12	2	45.2	71.4	73.0	111.3	83.8	60.7

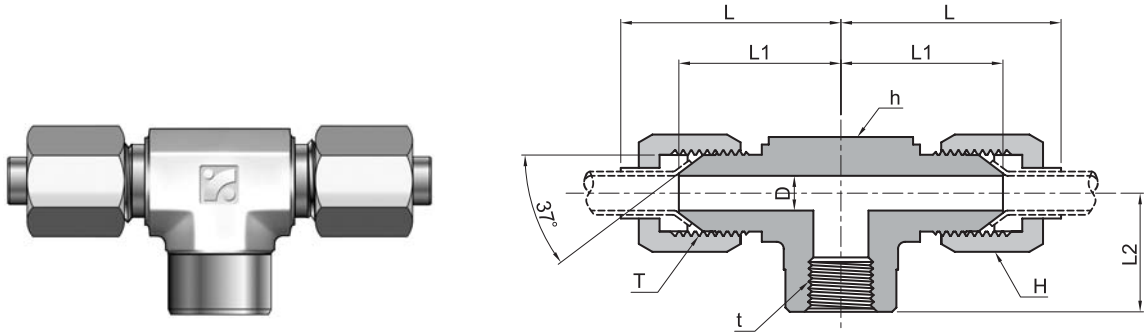
JFRT SAE J514 Female Run Tee



Part Number	Tube O.D.		T (UNF/UN)	t (NPT)	D	h (HEX)	H (HEX)	L	L1	L2
	Inch	Metric								
JFRT2T-01N	1/8	3	5/16 - 24	1/8	1.6	14.3	9.5	33.2	25.4	16.8
JFRT3T-01N	3/16	4	3/8 - 24	1/8	3.2	14.3	11.1	35.6	26.2	16.8
JFRT4T-01N	1/4	6	7/16 - 20	1/8	4.4	14.3	14.3	36.5	27.4	16.8
JFRT5T-01N	5/16	8	1/2 - 20	1/8	6.0	14.3	15.9	37.8	27.4	16.8
JFRT6T-02N	3/8	10	9/16 - 18	1/4	7.5	19.0	17.5	43.1	31.2	22.4
JFRT8T-03N	1/2	12	3/4 - 16	3/8	9.9	22.2	22.2	48.8	36.1	25.9
JFRT10T-04N	5/8	16	7/8 - 14	1/2	12.3	27.0	22.2	58.3	41.7	31.2
JFRT12T-06N	3/4	18	1 1/16 - 12	3/4	15.5	33.3	31.8	63.5	48.0	34.5
JFRT14T-06N	7/8	22	1 3/16 - 12	3/4	18.3	33.3	34.9	64.8	47.2	36.1
JFRT16T-08N	1	25	1 5/16 - 12	1	21.4	41.3	38.1	74.1	55.1	41.1
JFRT20T-10N	1 1/4	32	1 5/8 - 12	1 1/4	27.4	47.6	50.8	77.7	59.2	43.2
JFRT24T-12N	1 1/2	38	1 7/8 - 12	1 1/2	33.3	65.1	57.2	100.1	73.4	52.8
JFRT32T-16N	2	50	2 1/2 - 12	2	45.2	71.4	73.0	111.3	83.8	60.7

JFBT SAE J514

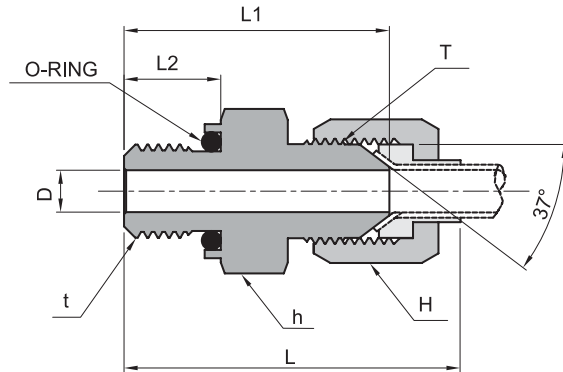
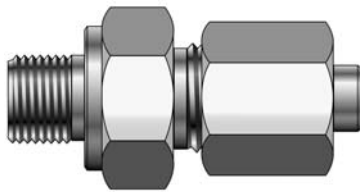
Female Branch Tee



Part Number	Tube O.D.		T (UNF/UN)	t (NPT)	D	h (HEX)	H (HEX)	L	L1	L2
	Inch	Metric								
JFBT2T-01N	1/8	3	5/16 - 24	1/8	1.6	14.3	9.5	33.2	25.4	16.8
JFBT3T-01N	3/16	4	3/8 - 24	1/8	3.2	14.3	11.1	35.6	26.2	16.8
JFBT4T-01N	1/4	6	7/16 - 20	1/8	4.4	14.3	14.3	36.5	27.4	16.8
JFBT5T-01N	5/16	8	1/2 - 20	1/8	6.0	14.3	15.9	37.8	27.4	16.8
JFBT6T-02N	3/8	10	9/16 - 18	1/4	7.5	19.0	17.5	43.1	31.2	22.4
JFBT8T-03N	1/2	12	3/4 - 16	3/8	9.9	22.2	22.2	48.8	36.1	25.9
JFBT10T-04N	5/8	16	7/8 - 14	1/2	12.3	27.0	22.2	58.3	41.7	31.2
JFBT12T-06N	3/4	18	1 1/16 - 12	3/4	15.5	33.3	31.8	63.5	48.0	34.5
JFBT14T-06N	7/8	22	1 3/16 - 12	3/4	18.3	33.3	34.9	64.8	47.2	36.1
JFBT16T-08N	1	25	1 5/16 - 12	1	21.4	41.3	38.1	74.1	55.1	41.1
JFBT20T-10N	1 1/4	32	1 5/8 - 12	1 1/4	27.4	47.6	50.8	77.7	59.2	43.2
JFBT24T-12N	1 1/2	38	1 7/8 - 12	1 1/2	33.3	65.1	57.2	100.1	73.4	52.8
JFBT32T-16N	2	50	2 1/2 - 12	2	45.2	71.4	73.0	111.3	83.8	60.7

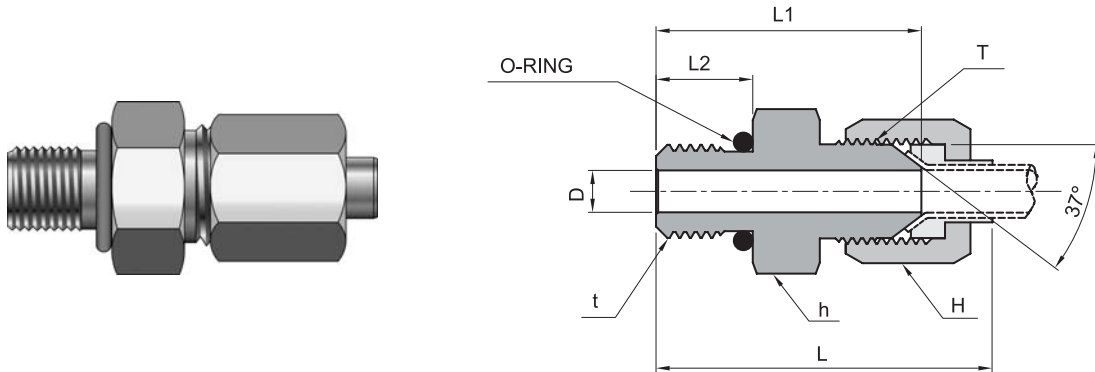
JOMC-G

O-Ring Seal Male Connector(PF)



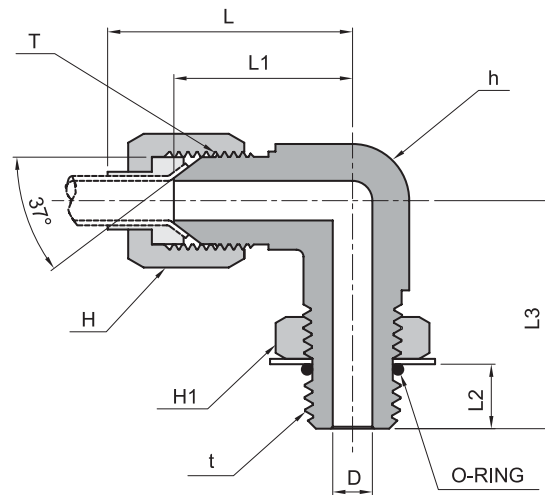
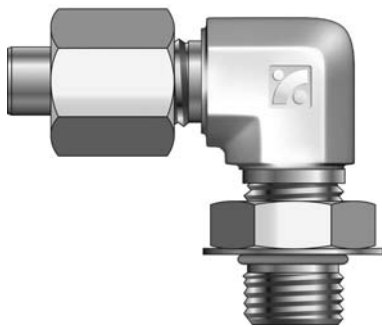
Part Number	Tube O.D.		T (UNF/UN)	t (PF)	D	h (HEX)	H (HEX)	L	L1	L2
	Inch	Metric								
JOMC2T-01G	1/8	3	5/16 - 24	1/8	1.6	11.1	9.5	35.3	27.5	8.0
JOMC3T-01G	3/16	4	3/8 - 24	1/8	3.2	12.7	11.1	37.9	28.5	8.0
JOMC4T-01G	1/4	6	7/16 - 20	1/8	4.4	14.2	14.3	39.3	30.2	8.0
JOMC5T-01G	5/16	8	1/2 - 20	1/8	6.0	15.8	15.9	40.6	30.2	8.0
JOMC6T-02G	3/8	10	9/16 - 18	1/4	7.5	17.4	17.5	46.9	35.0	12.0
JOMC8T-03G	1/2	12	3/4 - 16	3/8	9.9	22.2	22.2	51.4	38.7	12.0
JOMC10T-04G	5/8	16	7/8 - 14	1/2	12.3	25.4	22.2	61.1	44.5	14.0
JOMC12T-06G	3/4	18	1 1/16 - 12	3/4	15.5	31.7	31.8	66.4	50.9	16.0
JOMC14T-06G	7/8	22	1 3/16 - 12	3/4	18.3	34.9	34.9	69.0	51.4	16.0
JOMC16T-08G	1	25	1 5/16 - 12	1	21.4	38.0	38.1	71.7	52.7	18.0
JOMC20T-10G	1 1/4	32	1 5/8 - 12	1 1/4	27.4	42.8	50.8	78.5	60.0	20.0
JOMC24T-12G	1 1/2	38	1 7/8 - 12	1 1/2	33.3	55.0	57.2	92.8	66.1	21.0
JOMC32T-16G	2	50	2 1/2 - 12	2	45.2	70.0	73.0	108.0	80.5	25.0

JOMC-U SAE J514 O-Ring Seal Male Connector (UNF/UN)



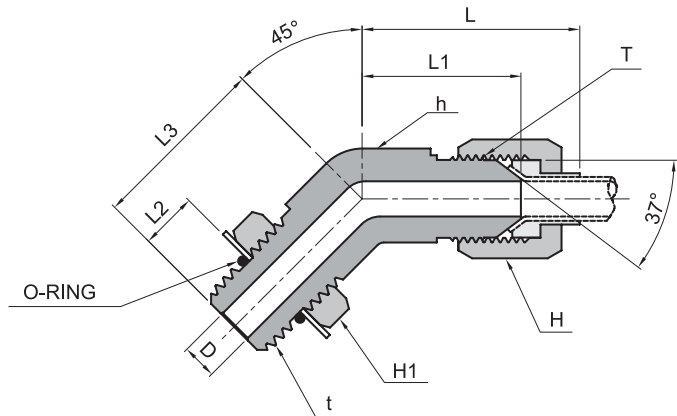
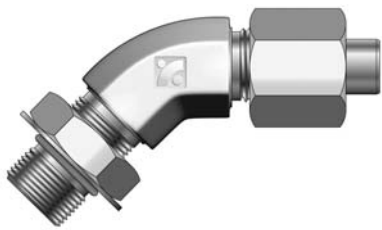
Part Number	Tube O.D.		T (UNF/UN)	t (UNF/UN)	D	h (HEX)	H (HEX)	L	L1	L2
	Inch	Metric								
JOMC2T-02U	1/8	3	5/16 - 24	5/16 - 24	1.6	11.1	9.5	34.7	26.9	7.5
JOMC3T-03U	3/16	4	3/8 - 24	3/8 - 24	3.2	12.7	11.1	37.3	27.9	7.5
JOMC4T-04U	1/4	6	7/16 - 20	7/16 - 20	4.4	14.2	14.3	40.3	31.2	9.1
JOMC5T-05U	5/16	8	1/2 - 20	1/2 - 20	6.0	15.8	15.9	41.6	31.2	9.1
JOMC6T-06U	3/8	10	9/16 - 18	9/16 - 18	7.5	17.4	17.5	44.9	33.0	9.9
JOMC8T-08U	1/2	12	3/4 - 16	3/4 - 16	9.9	22.2	22.2	50.3	37.6	11.1
JOMC10T-10U	5/8	16	7/8 - 14	7/8 - 14	12.3	25.4	22.2	59.8	43.2	12.7
JOMC12T-12U	3/4	18	1 1/16 - 12	1 1/16 - 12	15.5	31.7	31.8	65.5	50.0	15.1
JOMC14T-14U	7/8	22	1 3/16 - 12	1 3/16 - 12	18.3	34.9	34.9	68.1	50.5	15.1
JOMC16T-16U	1	25	1 5/16 - 12	1 5/16 - 12	21.4	38.1	38.1	70.8	51.8	15.1
JOMC20T-20U	1 1/4	32	1 5/8 - 12	1 5/8 - 12	27.4	47.6	50.8	73.6	55.1	15.1
JOMC24T-24U	1 1/2	38	1 7/8 - 12	1 7/8 - 12	33.3	53.9	57.2	86.9	60.2	15.1
JOMC32T-32U	2	50	2 1/2 - 12	2 1/2 - 12	45.2	69.8	73.0	98.1	70.6	15.1

JOME SAE J514 O-Ring Seal Male Elbow



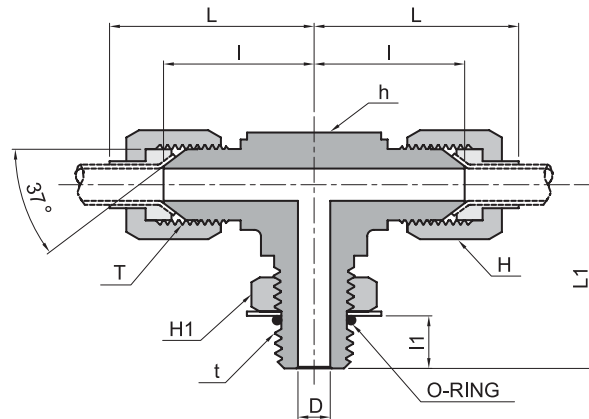
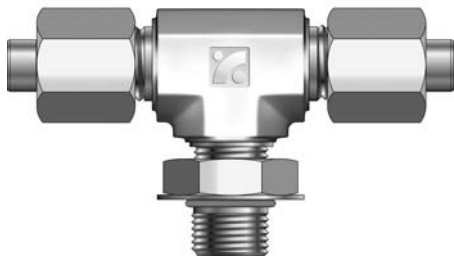
Part Number	Tube O.D.		T (UNF/UN)	t (UNF/UN)	D	h (HEX)	H (HEX)	H1 (HEX)	L	L1	L2	L3
	Inch	Metric										
JOME2T-02U	1/8	3	5/16 - 24	5/16 - 24	1.6	11.1	9.5	14.2	27.4	19.6	8.4	23.9
JOME3T-03U	3/16	4	3/8 - 24	3/8 - 24	3.2	11.1	11.1	15.8	30.5	21.1	8.4	23.9
JOME4T-04U	1/4	6	7/16 - 20	7/16 - 20	4.4	11.1	14.3	17.4	31.7	22.6	9.8	26.2
JOME5T-05U	5/16	8	1/2 - 20	1/2 - 20	6.0	14.3	15.9	19.0	34.5	24.1	9.8	28.7
JOME6T-06U	3/8	10	9/16 - 18	9/16 - 18	7.5	14.3	17.5	20.6	38.8	26.9	9.9	31.8
JOME8T-08U	1/2	12	3/4 - 16	3/4 - 16	9.9	19.0	22.2	25.4	44.5	31.8	11.0	36.8
JOME10T-10U	5/8	16	7/8 - 14	7/8 - 14	12.3	22.2	22.2	28.5	53.4	36.8	12.5	43.2
JOME12T-12U	3/4	18	1 1/16 - 12	1 1/16 - 12	15.5	27.0	31.8	34.9	57.7	42.2	16.5	49.3
JOME14T-14U	7/8	22	1 3/16 - 12	1 3/16 - 12	18.3	33.3	34.9	38.1	63.3	45.7	16.5	50.8
JOME16T-16U	1	25	1 5/16 - 12	1 5/16 - 12	21.4	33.3	38.1	41.2	65.0	46.0	16.5	52.1
JOME20T-20U	1 1/4	32	1 5/8 - 12	1 5/8 - 12	27.4	41.3	50.8	47.6	70.8	52.3	16.5	57.2
JOME24T-24U	1 1/2	38	1 7/8 - 12	1 7/8 - 12	33.3	47.6	57.2	53.9	85.9	59.2	16.5	60.7
JOME32T-32U	2	50	2 1/2 - 12	2 1/2 - 12	45.2	63.5	73.0	69.8	105.2	77.7	16.5	73.4

JOHME SAE J514 O-Ring Seal 45° Male Elbow



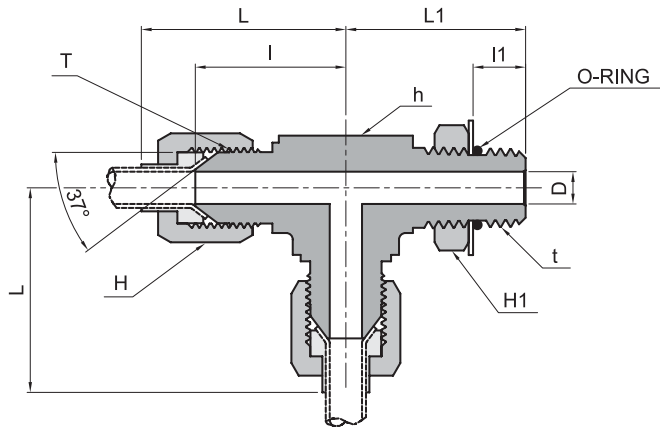
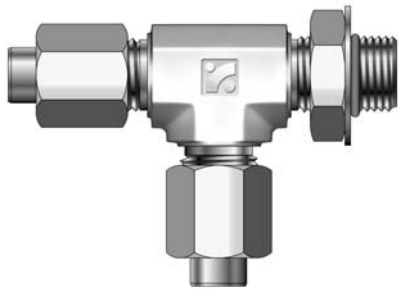
Part Number	Tube O.D.		T (UNF/UN)	t (UNF/UN)	D	h (HEX)	H (HEX)	H1 (HEX)	L	L1	L2	L3
	Inch	Metric										
JOHME2T-02U	1/8	3	5/16 - 24	5/16 - 24	1.6	11.1	9.5	14.2	25.3	17.5	8.4	23.9
JOHME3T-03U	3/16	4	3/8 - 24	3/8 - 24	3.2	11.1	11.1	15.8	26.9	17.5	8.4	23.9
JOHME4T-04U	1/4	6	7/16 - 20	7/16 - 20	4.4	11.1	14.3	17.4	27.4	18.3	9.8	23.9
JOHME5T-05U	5/16	8	1/2 - 20	1/2 - 20	6.0	14.3	15.9	19.0	30.3	19.6	9.8	25.4
JOHME6T-06U	3/8	10	9/16 - 18	9/16 - 18	7.5	14.3	17.5	20.6	33.0	21.1	9.9	28.4
JOHME8T-08U	1/2	12	3/4 - 16	3/4 - 16	9.9	19.0	22.2	25.4	37.6	24.9	11.0	32.5
JOHME10T-10U	5/8	16	7/8 - 14	7/8 - 14	12.3	22.2	22.2	28.5	44.8	28.2	12.5	36.6
JOHME12T-12U	3/4	18	1 1/16 - 12	1 1/16 - 12	15.5	27.0	31.8	34.9	48.0	32.5	16.5	43.9
JOHME14T-14U	7/8	22	1 3/16 - 12	1 3/16 - 12	18.3	33.3	34.9	38.1	54.4	36.8	16.5	45.7
JOHME16T-16U	1	25	1 5/16 - 12	1 5/16 - 12	21.4	33.3	38.1	41.2	56.3	37.3	16.5	47.2
JOHME20T-20U	1 1/4	32	1 5/8 - 12	1 5/8 - 12	27.4	41.3	50.8	47.6	58.9	40.4	16.5	48.5
JOHME24T-24U	1 1/2	38	1 7/8 - 12	1 7/8 - 12	33.3	47.6	57.2	53.9	71.9	45.2	16.5	48.5
JOHME32T-32U	2	50	2 1/2 - 12	2 1/2 - 12	45.2	63.5	73.0	69.8	83.9	56.4	16.5	47.2

JOBT SAE J514 O-Ring Seal Branch Tee



Part Number	Tube O.D.		T (UNF/UN)	t (UNF/UN)	D	h (HEX)	H (HEX)	H1 (HEX)	L	L1	I	I1
	Inch	Metric										
JOBT2T-02U	1/8	3	5/16 - 24	5/16 - 24	1.6	11.1	9.5	14.2	27.4	23.9	19.6	8.4
JOBT3T-03U	3/16	4	3/8 - 24	3/8 - 24	3.2	11.1	11.1	15.8	30.5	23.9	21.1	8.4
JOBT4T-04U	1/4	6	7/16 - 20	7/16 - 20	4.4	11.1	14.3	17.4	31.7	26.2	22.6	9.8
JOBT5T-05U	5/16	8	1/2 - 20	1/2 - 20	6.0	14.3	15.9	19.0	34.5	28.7	24.1	9.8
JOBT6T-06U	3/8	10	9/16 - 18	9/16 - 18	7.5	14.3	17.5	20.6	38.8	31.8	26.9	9.9
JOBT8T-08U	1/2	12	3/4 - 16	3/4 - 16	9.9	19.0	22.2	25.4	44.5	36.8	31.8	11.0
JOBT10T-10U	5/8	16	7/8 - 14	7/8 - 14	12.3	22.2	22.2	28.5	53.4	43.2	36.8	12.5
JOBT12T-12U	3/4	18	1 1/16 - 12	1 1/16 - 12	15.5	27.0	31.8	34.9	57.7	49.3	42.2	16.5
JOBT14T-14U	7/8	22	1 3/16 - 12	1 3/16 - 12	18.3	33.3	35.0	38.1	63.3	50.8	45.7	16.5
JOBT16T-16U	1	25	1 5/16 - 12	1 5/16 - 12	21.4	33.3	38.0	41.2	65.0	52.1	46.0	16.5
JOBT20T-20U	1 1/4	32	1 5/8 - 12	1 5/8 - 12	37.5	41.3	50.8	47.6	70.8	57.2	52.3	16.5
JOBT24T-24U	1 1/2	38	1 7/8 - 12	1 7/8 - 12	33.3	47.6	57.2	53.9	85.9	60.7	59.2	16.5
JOBT32T-32U	2	50	2 1/2 - 12	2 1/2 - 12	45.2	63.5	73.0	69.8	105.2	73.4	77.7	16.5

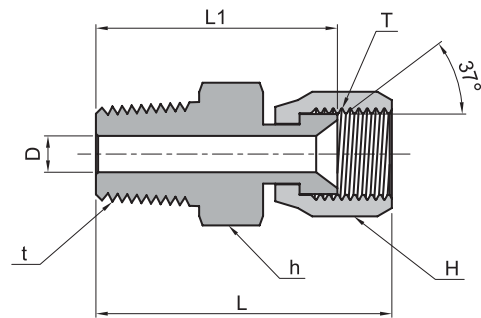
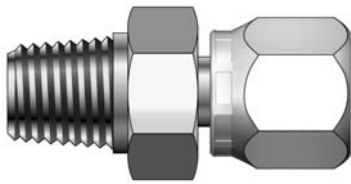
JORT SAE J514 O-Ring Seal Run Tee



Part Number	Tube O.D.		T (UNF/UN)	t (UNF/UN)	D	h (HEX)	H (HEX)	H1 (HEX)	L	L1	I	I1
	Inch	Metric										
JORT2T-02U	1/8	3	5/16 - 24	5/16 - 24	1.6	11.1	9.5	14.2	27.4	23.9	19.6	8.4
JORT3T-03U	3/16	4	3/8 - 24	3/8 - 24	3.2	11.1	11.1	15.8	30.5	23.9	21.1	8.4
JORT4T-04U	1/4	6	7/16 - 20	7/16 - 20	4.4	11.1	14.3	17.4	31.7	26.2	22.6	9.8
JORT5T-05U	5/16	8	1/2 - 20	1/2 - 20	6.0	14.3	15.9	19.0	34.5	28.7	24.1	9.8
JORT6T-06U	3/8	10	9/16 - 18	9/16 - 18	7.5	14.3	17.5	20.6	38.8	31.8	26.9	9.9
JORT8T-08U	1/2	12	3/4 - 16	3/4 - 16	9.9	19.0	22.2	25.4	44.5	36.8	31.8	11.0
JORT10T-10U	5/8	16	7/8 - 14	7/8 - 14	12.3	22.2	22.2	28.5	53.4	43.2	36.8	12.5
JORT12T-12U	3/4	18	1 1/16 - 12	1 1/16 - 12	15.5	27.0	31.8	34.9	57.7	49.3	42.2	16.5
JORT14T-14U	7/8	22	1 3/16 - 12	1 3/16 - 12	18.3	33.3	34.9	38.1	63.3	50.8	45.7	16.5
JORT16T-16U	1	25	1 5/16 - 12	1 5/16 - 12	21.4	33.3	38.1	41.2	65.0	52.1	46.0	16.5
JORT20T-20U	1 1/4	32	1 5/8 - 12	1 5/8 - 12	27.4	41.3	50.8	47.6	70.8	57.2	52.3	16.5
JORT24T-24U	1 1/2	38	1 7/8 - 12	1 7/8 - 12	33.3	47.6	57.2	53.9	85.9	60.7	59.2	16.5
JORT32T-32U	2	50	2 1/2 - 12	2 1/2 - 12	45.2	63.5	73.0	69.8	105.2	73.4	77.7	16.5

JMSC

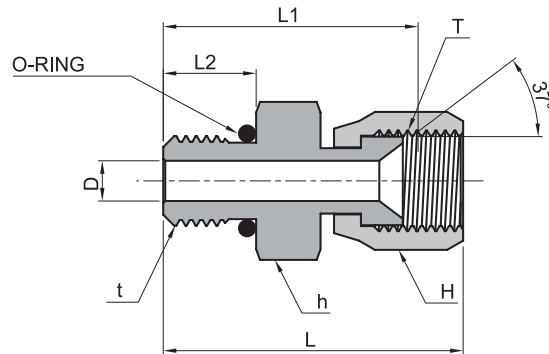
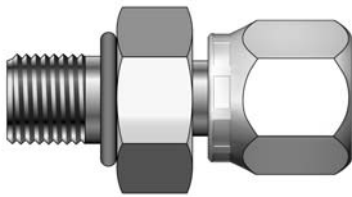
Male Swivel Connector



Part Number	Tube O.D.		T (UNF/UN)	t (NPT)	D	h (HEX)	H (HEX)	L	L1
	Inch	Metric							
JMSC2T-01N	1/8	3	5/16 - 24	1/8	1.6	11.1	11.1	30.0	22.0
JMSC3T-01N	3/16	4	3/8 - 24	1/8	3.2	11.1	12.7	32.0	23.5
JMSC4T-01N	1/4	6	7/16 - 20	1/8	4.4	12.7	14.2	34.2	25.5
JMSC5T-01N	5/16	8	1/2 - 20	1/8	6.0	14.2	16.0	35.0	25.5
JMSC6T-02N	3/8	10	9/16 - 18	1/4	7.5	16.0	17.4	40.2	30.7
JMSC8T-03N	1/2	12	3/4 - 16	3/8	9.9	21.0	22.2	42.7	32.0
JMSC10T-04N	5/8	16	7/8 - 14	1/2	12.3	23.8	25.4	51.3	38.6
JMSC12T-06N	3/4	18	1 1/16 - 12	3/4	15.5	29.0	32.0	54.5	40.2
JMSC14T-06N	7/8	22	1 3/16 - 12	3/4	18.3	32.0	35.0	56.0	41.2
JMSC16T-08N	1	25	1 5/16 - 12	1	21.4	36.0	38.0	63.7	48.6
JMSC20T-10N	1 1/4	32	1 5/8 - 12	1 1/4	27.4	46.0	50.8	68.9	53.0
JMSC24T-12N	1 1/2	38	1 7/8 - 12	1 1/2	33.3	50.0	57.0	77.6	59.0
JMSC32T-16N	2	50	2 1/2 - 12	2	45.2	66.7	73.0	92.9	69.1

JOMSC

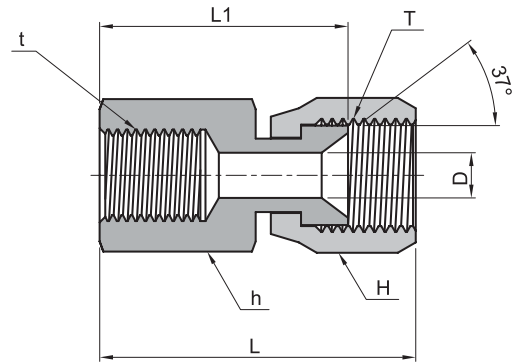
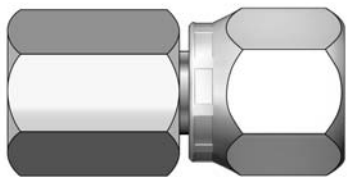
O-Ring Seal Male Swivel Connector



Part Number	Tube O.D.		T (UNF/UN)	t (UNF/UN)	D	h (HEX)	H (HEX)	L	L1	L2
	Inch	Metric								
JOMSC2T-02U	1/8	3	5/16 - 24	5/16 - 24	1.6	11.1	11.1	30.4	22.5	7.5
JOMSC3T-03U	3/16	4	3/8 - 24	3/8 - 24	3.2	12.7	12.7	31.0	22.7	7.5
JOMSC4T-04U	1/4	6	7/16 - 20	7/16 - 20	4.4	14.2	14.2	33.9	25.2	9.1
JOMSC5T-05U	5/16	8	1/2 - 20	1/2 - 20	6.0	15.8	15.8	35.7	26.2	9.1
JOMSC6T-06U	3/8	10	9/16 - 18	9/16 - 18	7.5	17.4	19.0	37.4	27.9	9.9
JOMSC8T-08U	1/2	12	3/4 - 16	3/4 - 16	9.9	22.2	22.2	41.6	30.9	11.1
JOMSC10T-10U	5/8	16	7/8 - 14	7/8 - 14	12.3	25.4	27.0	47.6	34.9	12.7
JOMSC12T-12U	3/4	18	1 1/16 - 12	1 1/16 - 12	15.5	31.8	32.0	54.4	40.1	15.1
JOMSC14T-14U	7/8	22	1 3/16 - 12	1 3/16 - 12	18.3	34.9	34.9	55.6	40.9	15.1
JOMSC16T-16U	1	25	1 5/16 - 12	1 5/16 - 12	21.4	38.1	38.1	56.8	41.7	15.1
JOMSC20T-20U	1 1/4	32	1 5/8 - 12	1 5/8 - 12	27.4	47.6	50.8	63.2	47.3	15.1
JOMSC24T-24U	1 1/2	38	1 7/8 - 12	1 7/8 - 12	33.3	54.0	60.0	71.3	52.7	15.1
JOMSC32T-32U	2	50	2 1/2 - 12	2 1/2 - 12	45.2	70.0	73.0	72.5	58.7	15.1

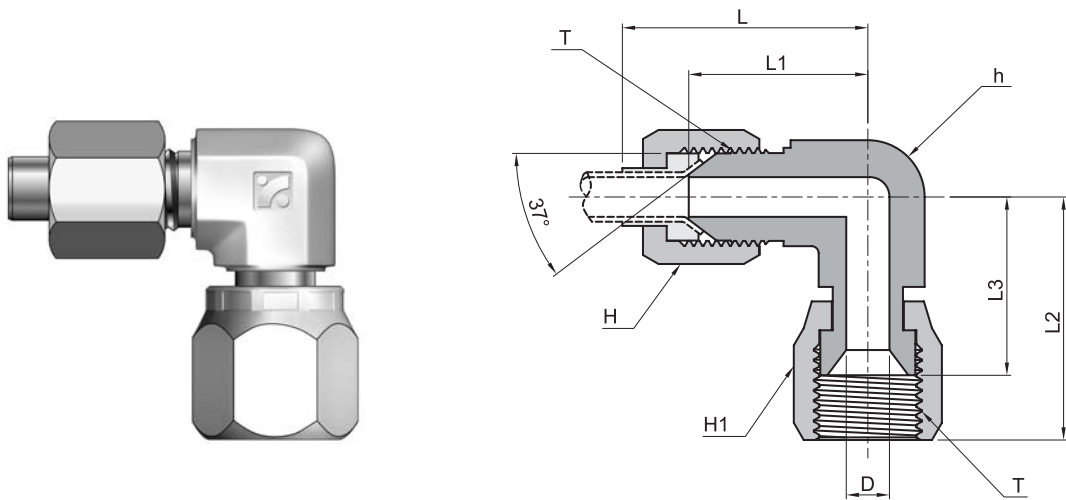
JFSC

Female Swivel Connector



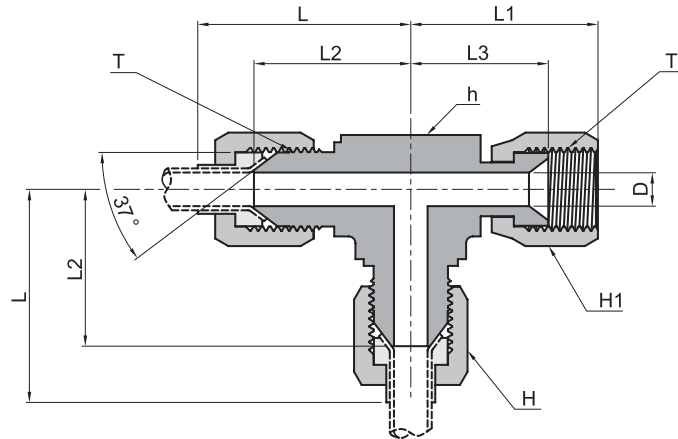
Part Number	Tube O.D.		T (UNF/UN)	t (NPT)	D	h (HEX)	H (HEX)	L	L1
	Inch	Metric							
JFSC2T-01N	1/8	3	5/16 - 24	1/8	1.6	11.1	11.1	36.1	28.2
JFSC3T-01N	3/16	4	3/8 - 24	1/8	3.2	12.7	12.7	37.3	29.0
JFSC4T-01N	1/4	6	7/16 - 20	1/8	4.4	14.2	14.2	39.7	31.0
JFSC5T-01N	5/16	8	1/2 - 20	1/8	6.0	15.8	16.0	40.5	31.0
JFSC6T-02N	3/8	10	9/16 - 18	1/4	7.5	19.0	17.4	45.8	36.3
JFSC8T-03N	1/2	12	3/4 - 16	3/8	9.9	22.2	22.2	47.0	38.9
JFSC10T-04N	5/8	16	7/8 - 14	1/2	12.3	27.0	25.4	51.6	48.0
JFSC12T-06N	3/4	18	1 1/16 - 12	3/4	15.5	32.0	32.0	66.6	52.3
JFSC14T-06N	7/8	22	1 3/16 - 12	3/4	18.3	34.9	35.0	67.8	53.1
JFSC16T-08N	1	25	1 5/16 - 12	1	21.4	38.1	38.0	73.5	58.4
JFSC20T-10N	1 1/4	32	1 5/8 - 12	1 1/4	27.4	50.8	50.8	78.1	62.2
JFSC24T-12N	1 1/2	38	1 7/8 - 12	1 1/2	33.3	60.0	57.0	86.7	68.1
JFSC32T-16N	2	50	2 1/2 - 12	2	45.2	73.0	73.0	89.3	65.5

JSE SAE J514 Swivel Elbow



Part Number	Tube O.D.		T (UNF/UN)	D	h (HEX)	H (HEX)	H1 (HEX)	L	L1	L2	L3
	Inch	Metric									
JSE-2T	1/8	3	5/16 - 24	1.6	11.1	9.5	11.1	27.4	19.6	24.6	16.7
JSE-3T	3/16	4	3/8 - 24	3.2	11.1	11.1	12.7	30.5	21.1	25.4	17.1
JSE-4T	1/4	6	7/16 - 20	4.4	11.1	14.3	14.3	31.7	22.6	25.4	16.7
JSE-5T	5/16	8	1/2 - 20	6.0	14.3	15.9	15.9	34.5	24.1	26.9	17.4
JSE-6T	3/8	10	9/16 - 18	7.5	14.3	17.5	17.5	38.8	26.9	31.8	22.3
JSE-8T	1/2	12	3/4 - 16	9.9	19.0	22.2	22.2	44.5	31.8	35.1	24.4
JSE-10T	5/8	16	7/8 - 14	12.3	22.2	22.2	25.4	53.4	36.8	41.1	28.4
JSE-12T	3/4	18	1 1/16 - 12	15.5	27.0	31.8	31.8	57.7	42.2	44.4	30.1
JSE-14T	7/8	22	1 3/16 - 12	18.3	33.3	34.9	34.9	63.3	45.7	45.2	30.5
JSE-16T	1	25	1 5/16 - 12	21.4	33.3	38.1	38.1	65.0	46.0	50.8	35.7
JSE-20T	1 1/4	32	1 5/8 - 12	27.4	41.3	50.8	50.8	70.8	52.3	58.7	42.8
JSE-24T	1 1/2	38	1 7/8 - 12	33.3	47.6	57.2	57.2	85.9	59.2	65.8	47.2
JSE-32T	2	50	2 1/2 - 12	45.2	63.5	73.0	73.0	105.2	77.7	85.9	62.1

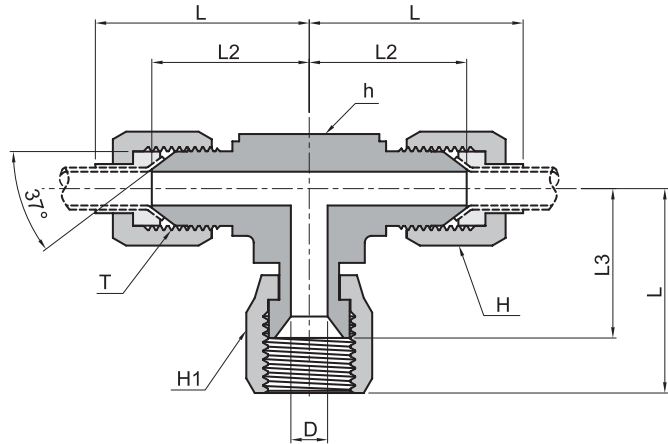
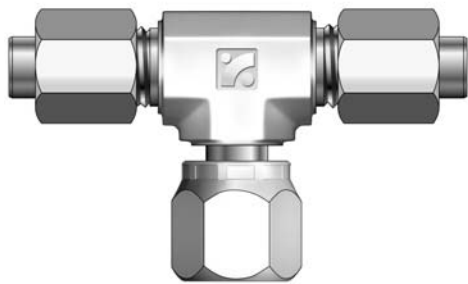
JSRT SAE J514 Swivel Run Tee



Part Number	Tube O.D.		T (UNF/UN)	D	h (HEX)	H (HEX)	H1 (HEX)	L	L1	L2	L3
	Inch	Metric									
JSRT-2T	1/8	3	5/16 - 24	1.6	11.1	9.5	11.1	27.4	24.6	19.6	16.7
JSRT-3T	3/16	4	3/8 - 24	3.2	11.1	11.1	12.7	30.5	25.4	21.1	17.1
JSRT-4T	1/4	6	7/16 - 20	4.4	11.1	14.3	14.3	31.7	25.4	22.6	16.7
JSRT-5T	5/16	8	1/2 - 20	6.0	14.3	15.9	15.9	34.5	26.9	24.1	17.4
JSRT-6T	3/8	10	9/16 - 18	7.5	14.3	17.5	17.5	38.8	31.8	26.9	22.3
JSRT-8T	1/2	12	3/4 - 16	9.9	19.0	22.2	22.2	44.5	35.1	31.8	24.4
JSRT-10T	5/8	16	7/8 - 14	12.3	22.2	22.2	25.4	53.4	41.1	36.8	28.4
JSRT-12T	3/4	18	1 1/16 - 12	15.5	27.0	31.8	31.8	57.7	44.4	42.2	30.1
JSRT-14T	7/8	22	1 3/16 - 12	18.3	33.3	34.9	34.9	63.3	45.2	45.7	30.5
JSRT-16T	1	25	1 5/16 - 12	21.4	33.3	38.1	38.1	65.0	50.8	46.0	35.7
JSRT-20T	1 1/4	32	1 5/8 - 12	27.4	41.3	50.8	50.8	70.8	58.7	52.3	42.8
JSRT-24T	1 1/2	38	1 7/8 - 12	33.3	47.6	57.2	57.0	85.9	65.8	59.2	47.2
JSRT-32T	2	50	2 1/2 - 12	45.2	63.5	73.0	73.0	105.2	85.9	77.7	62.1

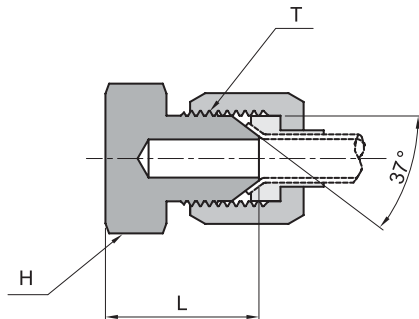
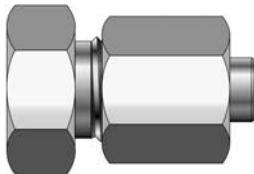
JSBT SAE J514

Swivel Branch Tee

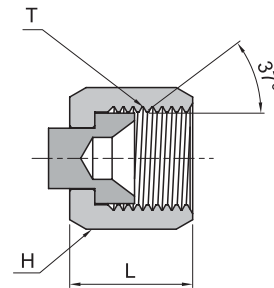
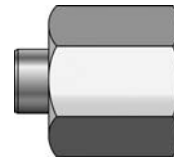


Part Number	Tube O.D.		T (UNF/UN)	D	h (HEX)	H (HEX)	H1 (HEX)	L	L1	L2	L3
	Inch	Metric									
JSBT-2T	1/8	3	5/16 - 24	1.6	11.1	9.5	11.1	27.4	24.6	19.6	16.7
JSBT-3T	3/16	4	3/8 - 24	3.2	11.1	11.1	12.7	30.5	25.4	21.1	17.1
JSBT-4T	1/4	6	7/16 - 20	4.4	11.1	14.3	14.3	31.7	25.4	22.6	16.7
JSBT-5T	5/16	8	1/2 - 20	6.0	14.3	16.0	15.9	34.5	26.9	24.1	17.4
JSBT-6T	3/8	10	9/16 - 18	7.5	14.3	17.5	17.5	38.8	31.8	26.9	22.3
JSBT-8T	1/2	12	3/4 - 16	9.9	19.0	22.2	22.2	44.5	35.1	31.8	24.4
JSBT-10T	5/8	16	7/8 - 14	12.3	22.2	22.2	25.4	53.4	41.1	36.8	28.4
JSBT-12T	3/4	18	1 1/16 - 12	15.5	27.0	32.0	31.8	57.7	44.4	42.2	30.1
JSBT-14T	7/8	22	1 3/16 - 12	18.3	33.3	34.9	34.9	63.3	45.2	45.7	30.5
JSBT-16T	1	25	1 5/16 - 12	21.4	33.3	38.1	38.1	65.0	50.8	46.0	35.7
JSBT-20T	1 1/4	32	1 5/8 - 12	27.4	41.3	50.8	50.8	70.8	58.7	52.3	42.8
JSBT-24T	1 1/2	38	1 7/8 - 12	33.3	47.6	57.2	57.0	85.9	65.8	59.2	47.2
JSBT-32T	2	50	2 1/2 - 12	45.2	63.5	73.0	73.0	105.2	85.9	77.7	62.1

JP SAE J514 Plug



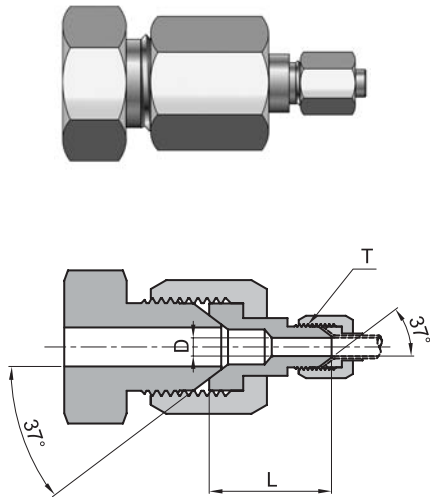
JC SAE J514 Tube Cap



Part Number	Tube O.D.		T (UNF/UN)	H (HEX)	L
	Inch	Metric			
JP-2T	1/8	3	5/16 - 24	11.1	17.8
JP-3T	3/16	4	3/8 - 24	11.1	18.5
JP-4T	1/4	6	7/16 - 20	12.7	20.3
JP-5T	5/16	8	1/2 - 20	14.3	20.3
JP-6T	3/8	10	9/16 - 18	15.9	21.3
JP-8T	1/2	12	3/4 - 16	20.6	23.9
JP-10T	5/8	16	7/8 - 14	23.8	27.9
JP-12T	3/4	18	1 1/16 - 12	28.6	32.5
JP-14T	7/8	22	1 3/16 - 12	31.8	33.3
JP-16T	1	25	1 5/16 - 12	34.9	33.8
JP-20T	1 1/4	32	1 5/8 - 12	42.9	36.8
JP-24T	1 1/2	38	1 7/8 - 12	50.8	41.9
JP-32T	2	50	2 1/2 - 12	66.7	52.1

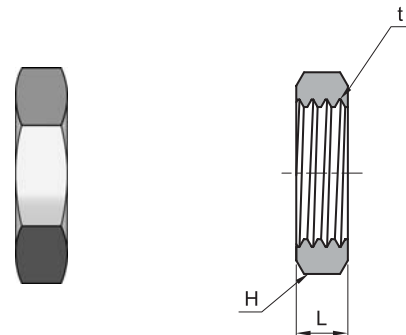
Part Number	Tube O.D.		T (UNF/UN)	H (HEX)	L
	Inch	Metric			
JC-2T	1/8	3	5/16 - 24	9.5	13.7
JC-3T	3/16	4	3/8 - 24	11.1	15.2
JC-4T	1/4	6	7/16 - 20	14.3	15.5
JC-5T	5/16	8	1/2 - 20	15.9	17.0
JC-6T	3/8	10	9/16 - 18	17.5	18.3
JC-8T	1/2	12	3/4 - 16	22.2	21.3
JC-10T	5/8	16	7/8 - 14	22.2	24.6
JC-12T	3/4	18	1 1/16 - 12	31.8	25.9
JC-14T	7/8	22	1 3/16 - 12	34.9	27.4
JC-16T	1	25	1 5/16 - 12	38.1	28.4
JC-20T	1 1/4	32	1 5/8 - 12	50.8	31.0
JC-24T	1 1/2	38	1 7/8 - 12	57.2	35.8
JC-32T	2	50	2 1/2 - 12	73.0	44.2

JRA SAE J514 Reducer Adapter



Part Number	Reducing Tube O.D.	T (UNF/UN)	D	L
JRA8T-4T	1/2 × 1/4	7/16 - 20	4.4	25.4
JRA8T-6T	1/2 × 3/8	9/16 - 18	7.5	25.4
JRA10T-4T	5/8 × 1/4	7/16 - 20	4.4	26.2
JRA10T-6T	5/8 × 3/8	9/16 - 18	7.5	26.2
JRA12T-4T	3/4 × 1/4	7/16 - 20	4.4	27.7
JRA12T-6T	3/4 × 3/8	9/16 - 18	7.5	27.7
JRA12T-8T	3/4 × 1/2	3/4 - 16	10.0	30.2
JRA16T-12T	1 × 3/4	1 1/16 - 12	15.5	37.3
JRA20T-12T	1 1/4 × 3/4	1 1/16 - 12	15.5	38.3
JRA20T-16T	1 1/4 × 1	1 5/16 - 12	21.5	40.3
JRA24T-20T	1 1/2 × 1 1/4	1 5/8 - 12	27.5	42.9

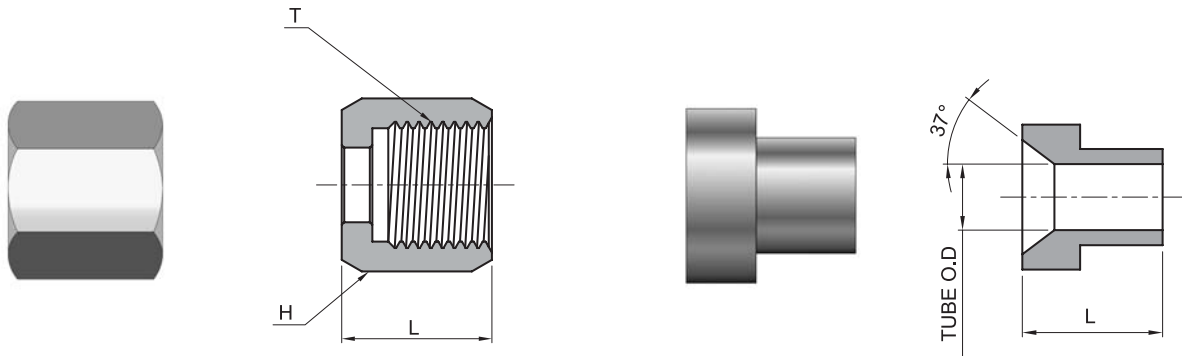
JLN SAE J514 Bulkhead Lock Nut



Part Number	Tube O.D.		T (UNF/UN)	H (HEX)	L
	Inch	Metric			
JLN-2T	1/8	3	5/16 - 24	14.3	5.6
JLN-3T	3/16	4	3/8 - 24	15.9	5.6
JLN-4T	1/4	6	7/16 - 20	17.5	7.1
JLN-5T	5/16	8	1/2 - 20	19.1	7.1
JLN-6T	3/8	10	9/16 - 18	20.6	6.9
JLN-8T	1/2	12	3/4 - 16	25.4	7.9
JLN-10T	5/8	16	7/8 - 14	28.6	9.1
JLN-12T	3/4	18	1 1/16 - 12	34.9	10.4
JLN-14T	7/8	22	1 3/16 - 12	38.1	10.4
JLN-16T	1	25	1 5/16 - 12	41.3	10.4
JLN-20T	1 1/4	32	1 5/8 - 12	47.6	10.4
JLN-24T	1 1/2	38	1 7/8 - 12	54.0	10.4
JLN-32T	2	50	2 1/2 - 12	69.9	10.4

JN SAE J514 Nut

JS SAE J514 Sleeve



Part Number	Tube O.D.		T (UNF/UN)	H (HEX)	L
	Inch	Metric			
JN-2T	1/8	3	5/16 - 24	9.5	14.0
JN-3T	3/16	4	3/8 - 24	11.1	15.5
JN-4T	1/4	6	7/16 - 20	14.3	15.8
JN-5T	5/16	8	1/2 - 20	15.9	17.3
JN-6T	3/8	10	9/16 - 18	17.5	18.5
JN-8T	1/2	12	3/4 - 16	22.2	21.6
JN-10T	5/8	16	7/8 - 14	22.2	24.9
JN-12T	3/4	18	1 1/16 - 12	31.8	26.2
JN-14T	7/8	22	1 3/16 - 12	34.9	27.7
JN-16T	1	25	1 5/16 - 12	38.1	28.7
JN-20T	1 1/4	32	1 5/8 - 12	50.8	31.2
JN-24T	1 1/2	38	1 7/8 - 12	57.2	36.1
JN-32T	2	50	2 1/2 - 12	73.0	44.5

Part Number		Tube O.D.		L	
Inch	Metric	Inch	Metric	Inch	Metric
JS-2T	JS-2MT	1/8	-	8.6	-
JS-3T	JS-3MT	3/16	-	8.6	-
JS-4T	JS-4MT	1/4	6	10.4	10.4
JS-5T	JS-5MT	5/16	8	11.2	11.2
JS-6T	JS-6MT	3/8	10	12.7	12.7
JS-8T	JS-8MT	1/2	12	14.2	14.2
JS-10T	JS-10MT	5/8	16	16.8	16.8
JS-12T	JS-12MT	3/4	18	17.3	17.3
JS-14T	JS-14MT	7/8	22	19.3	19.3
JS-16T	JS-16MT	1	25	19.8	19.8
JS-20T	JS-20MT	1 1/4	32	23.1	23.1
JS-24T	JS-24MT	1 1/2	38	28.4	28.4
JS-32T	JS-32MT	2	50	30.2	30.2

※ Metric Sleeves are used with standard nuts & bodies



TUBE FITTINGS (COMPRESSION TYPE)



BITE TYPE TUBE FITTINGS (DIN2353)



BITE TYPE TUBE FITTINGS (JIS B2351)



37 FLARED TUBE FITTINGS (SAE J514)



FORGED FITTINGS



INSTRUMENT THREAD FITTINGS



O-RING FACE SEAL FITTINGS



PUSH-ON HOSE FITTINGS



HYDRAULIC FLANGE (SAE J518 & ISO6164)



KEY OPERATION BALL VALVES



KEY OPERATION NEEDLE VALVES



BALL VALVE SBV120 SERIES



BALL VALVE SBV210 SERIES



BALL VALVE SBV360 SERIES



HIGH PRESSURE BALL VALVES



CRYOGENIC NEEDLE VALVES



HYDRAULIC BALL VALVES



CHECK VALVES



HIGH PRESSURE CHECK VALVES



RELIEF VALVES



INTEGRAL BONNET NEEDLE VALVES



UNION BONNET NEEDLE VALVES



HIGH PRESSURE NEEDLE VALVES



PLUG VALVES



MICRON IN-LINE FILTERS



SWING-OUT BALL VALVES



TRUNNION BALL VALVES



TOGGLE VALVES



BLEED & PURGE VALVES



GAUGE ROOT VALVES



MANIFOLD VALVES



DOUBLE BLOCK & BLEED VALVES



QUICK CONNECTORS



WATER REGULATORS



FLEXIBLE METAL HOSES



VACUUM CLAMPS



Valve Series

- Key Operation Ball Valves
- Key Operation Needle Valves
- Ball Valves
- Integral Bonnet Needle Valves
- Union Bonnet Needle Valves
- Check Valves
- High Pressure Check Valves
- High Pressure Needle Valves
- Plug Valves
- Manifold Valves
- Vacuum Clamps
- Water Regulators
- Flexible Hoses
- Double Block & Bleed Valves
- Swing-Out Ball Valves
- Toggle Valves
- Bleed & Purge Valves
- Quick Connectors
- High Pressure Ball Valves
- Hydraulic Ball Valves
- Trunnion Ball Valves
- Rising Plug Valves
- Relief Valves
- Cryogenic Needle Valves
- Cryogenic Ball Valves
- Micron in-Line Filters
- Gauge Root Valves
- Hydraulic Flange and Components

Fitting Series

- Tube Fittings (Compression Type)
- Instrument Thread Fittings
- Forged Fittings
- Bite Type Tube Fittings (DIN2353)
- Bite Type Tube Fittings (JIS B2351)
- 37° Flared Tube Fittings (SAE J514)
- O-Ring Face Seal Fittings
- Hose Connectors & Push-On Hose Fittings

Electric

- MCPD(Molded Case Power Distributor)

BMT Co., Ltd.

21-1, Bukjeong-dong Yangsan-si 경상남도 양산시 북정동 21-1
Gyeongsangnam-do Korea 전화 : 055-783-1000
Tel. 82-55-783-1000 팩스 : 055-783-1111
Fax. 82-55-783-1111 www.superlok.com
www.superlok.com superlok@superlok.com
superlok@superlok.com

