



# SELECTION GUIDE

## SAE HYDRAULIC 4-BOLT AND SPLIT FLANGED FITTINGS

IN CARBON STEEL AND STAINLESS STEEL

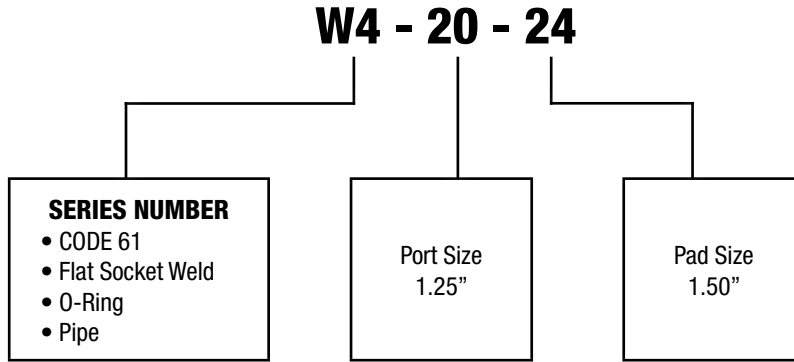


866-FLANGES | 513.527.4444 | Fax 513.527.4449  
sales@anchorfluidpower.com | anchorfluidpower.com

**QUICK SELECTION GUIDE**  
SAE HYDRAULIC 4 BOLT AND SPLIT FLANGED FITTINGS

# Ordering System

Our basic part numbering system is easy to use. The explanation of our part numbering system is detailed below. The series number provides the greatest amount of information pertaining to the flange product. The port size and pad size simply refer to size only, with all sizes based on 1/16 of an inch.



**NOTE #1** - All items available with mounting kit by simply adding suffix letter "U" to the W series and the letter "O" to our split flange series. Example: W4-20-24U & 16SF XO would include all appropriate hardware.

**NOTE #2** - All items available in stainless steel material by simply adding the suffix letters "SS". Stainless steel flanges may vary in shape and/or design from carbon steel flanges. Please consult factory for dimensions.

CODE 61 METRIC MOUNTING OPTION		
PAD SIZE	METRIC DRILLED BOLT HOLES	METRIC TAPPED BOLT HOLES
8	8.5 MM	M8 X 1.25
12	10.5 MM	M10 X 1.50
16	10.5 MM	M10 X 1.50
20	10.5 MM	M10 X 1.50
24	12.5 MM	M12 X 1.75
32	12.5 MM	M12 X 1.75
40	12.5 MM	M12 X 1.75
48	16.5 MM	M16 X 2.00
56	16.5 MM	M16 X 2.00
64	16.5 MM	M16 X 2.00

CODE 62 METRIC MOUNTING OPTION		
PAD SIZE	METRIC DRILLED BOLT HOLES	METRIC TAPPED BOLT HOLES
8	8.5 MM	M8 X 1.25
12	10.5 MM	M10 X 1.50
16	12.5 MM	M12 X 1.75
20	12.5 MM	M12 X 1.75
24	16.5 MM	M16 X 2.00
32	21 MM	M20 X 2.50
40	25 MM	M24 X 3.00
48	31 MM	M30 X 3.50

We offer the quality that you have come to expect from Anchor Fluid Power with prompt delivery on these special requirements.

Due to the infinite number of flange combinations, materials and finishes available, we make no attempt to catalog all of the items we stock or have the capability to manufacture. Instead, we catalog only our most popular standard flanges.

**Please contact us for your special requirements.**

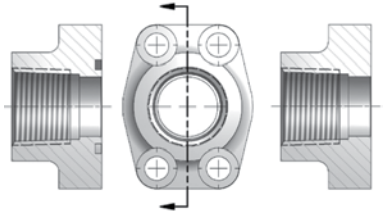


**W-Series**

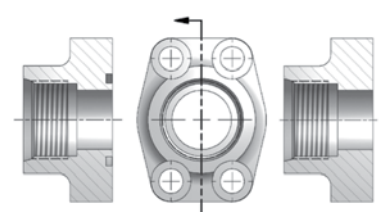


Note- All dimensions are in inches.

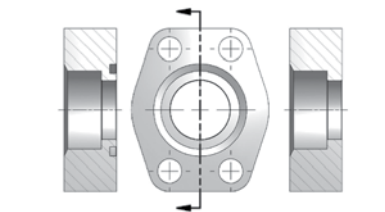
DASH NUMBER	NOMINAL SIZE	SIZE OF PORT IN FLANGE			
		THREAD OR SOCKET SPECIFICATION			
		NPTF	SAE ST. THD.	PIPE SOC.	TUBE SOC.
-04	1/4	1/4-18	7/16-20	.565	.252
-06	3/8	3/8-18	9/16-18	.687	.377
-08	1/2	1/2-14	3/4-16	.855	.502
-12	3/4	3/4-14	1 1/16-12	1.062	.752
-16	1	1-11 1/2	1 5/16-12	1.328	1.002
-20	1 1/4	1 1/4-11 1/2	1 5/8-12	1.672	1.252
-24	1 1/2	1 1/2-11 1/2	1 7/8-12	1.922	1.502
-32	2	2-11 1/2	2 1/2-12	2.406	2.002
-40	2 1/2	2 1/2-8	3-12	2.906	2.502
-48	3	3-8	3 1/2-12	3.547	3.002
-56	3 1/2	3 1/2-8	NA	4.047	3.502
-64	4	4-8	4 1/2-12	4.578	4.002
-80	5	NA	NA	5.641	5.002



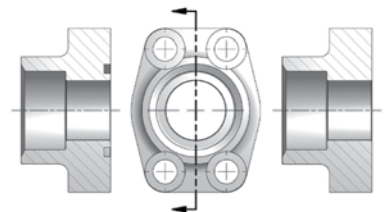
NPTF THREAD		
O-RING	PRESSURE RATING	FLAT FACE
W43	CODE 61	W104
W44	CODE 62	W45



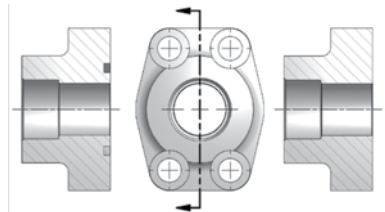
SAE STRAIGHT THREAD		
O-RING	PRESSURE RATING	FLAT FACE
W46	CODE 61	W106
W48	CODE 62	W49



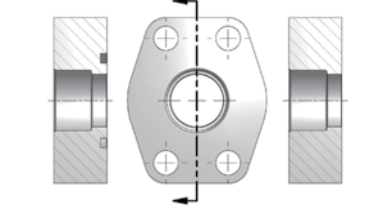
FLAT SOCKET WELD PIPE		
O-RING	PRESSURE RATING	FLAT FACE
W4	CODE 61	W61
W59	CODE 62	W60
W72	CODE 61	W91



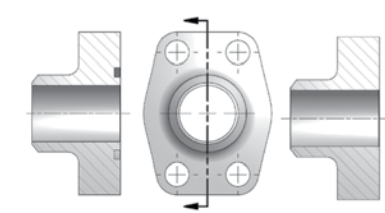
DEEP SOCKET WELD PIPE		
O-RING	PRESSURE RATING	FLAT FACE
W31	CODE 61	W3
W81	CODE 62	W80



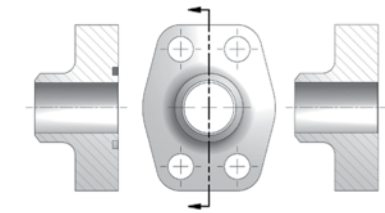
DEEP SOCKET WELD TUBE		
O-RING	PRESSURE RATING	FLAT FACE
W51	CODE 61	W5
W83	CODE 62	W82



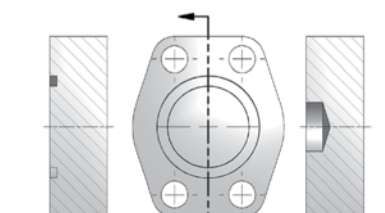
FLAT SOCKET WELD TUBE		
O-RING	PRESSURE RATING	FLAT FACE
W6	CODE 61	W62
W58	CODE 62	W63
W71	CODE 61	W90



BUTT WELD CODE 61		
O-RING	PRESSURE RATING	FLAT FACE
W35	SCH.40	W34
W24	SCH.80	W23
W27	SCH.160	W25



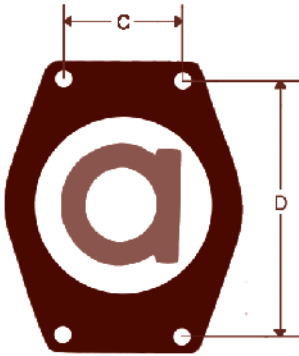
BUTT WELD CODE 62		
O-RING	PRESSURE RATING	FLAT FACE
W28	SCH.80	W26
W30	SCH.160	W29
W33	SCH.XXS	W32



BLANKING		
O-RING	PRESSURE RATING	FLAT FACE
W36	CODE 61	W37
W38	CODE 62	W39

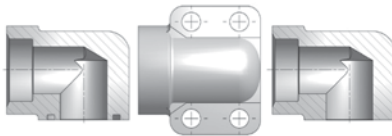
# QUICK SELECTION GUIDE

## W-Series

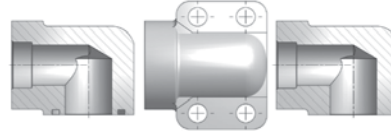


BASIC FLANGE PAD							
DASH NUMBER	NOMINAL SIZE	CODE 61			CODE 62		
		BOLT CENTERS		THREAD	BOLT CENTERS		THREAD
		DIM C	DIM D		DIM C	DIM D	
-08	1/2	.688	1.500	5/16-18	.718	1.594	5/16-18
-12	3/4	.875	1.875	3/8-16	.937	2.000	3/8-16
-16	1	1.031	2.062	3/8-16	1.093	2.250	7/16-14
-20	1 1/4	1.188	2.312	7/16-14	1.250	2.625	1/2-13
-24	1 1/2	1.406	2.750	1/2-13	1.437	3.125	5/8-11
-32	2	1.688	3.062	1/2-13	1.750	3.812	3/4-10
-40	2 1/2	2.000	3.500	1/2-13	*2.311	*4.874	*7/8-9
-48	3	2.438	4.188	5/8-11	*2.811	*6.000	*1 1/8-7
-56	3 1/2	2.750	4.750	5/8-11	NA	NA	NA
-64	4	3.062	5.125	5/8-11	NA	NA	NA
-80	5	3.625	6.000	5/8-11	NA	NA	NA

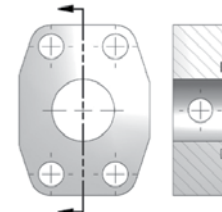
\* These sizes are not covered by, nor manufactured to SAE J518 specifications.  
Note- All dimensions are in inches.



SOCKET WELD PIPE ELBOW		
O-RING	PRESSURE RATING	FLAT FACE
W176	CODE 61	W169
W186	CODE 62	W189

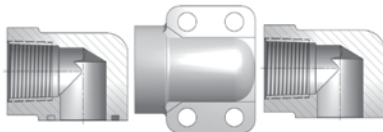


SOCKET WELD TUBE ELBOW		
O-RING	PRESSURE RATING	FLAT FACE
W172	CODE 61	W177
W182	CODE 62	W187

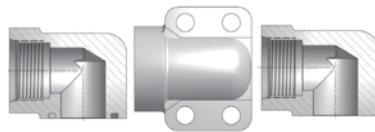


GAUGE PORT SPACER BLOCK	
O-RING	PRESSURE RATING
AS-GP	CODE 61
ASX-GP	CODE 62

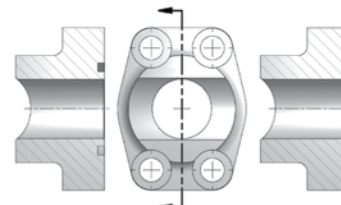
Flanges include both 1/4" NPT & #4 SAE ports.



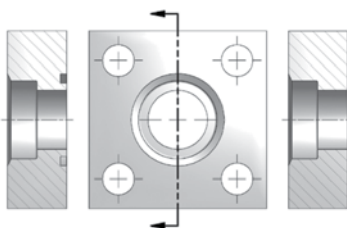
NPTF THREAD ELBOW		
O-RING	PRESSURE RATING	FLAT FACE
W168	CODE 61	W170
W188	CODE 62	W180



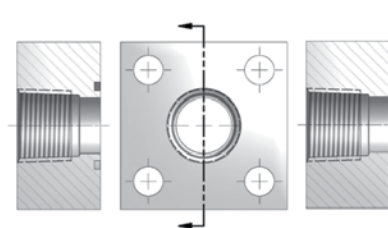
SAE STRAIGHT THREAD ELBOW		
O-RING	PRESSURE RATING	FLAT FACE
W164	CODE 61	W165
W184	CODE 62	W185



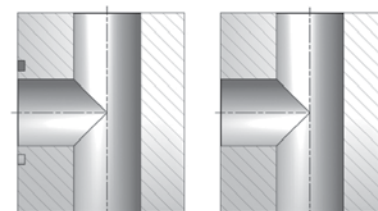
SADDLE WELD		
O-RING	PIPE/TUBE	FLAT FACE
W8	PIPE	W7
W87	TUBE	W69



SQUARE PATTERN SOCKET WELD		
O-RING	PRESSURE RATING	FLAT FACE
W66	3000 PSI	W76
W56	6000 PSI	W57



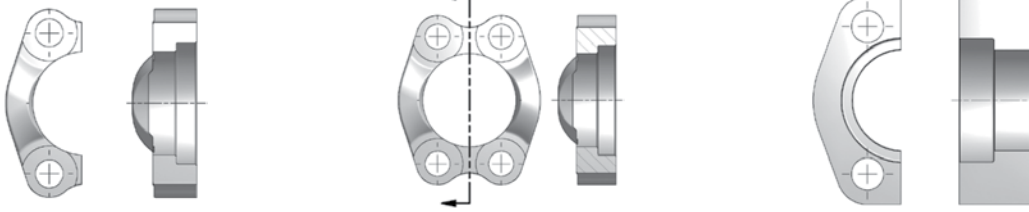
SQUARE PATTERN NPT THREAD		
O-RING	PRESSURE RATING	FLAT FACE
W65	3000 PSI	W75



TEE JUNCTION BLOCK		
O-RING	PRESSURE RATING	FLAT FACE
W17	CODE 61	W16
W19	CODE 62	W18



# SPLIT & CAPTIVE FLANGES



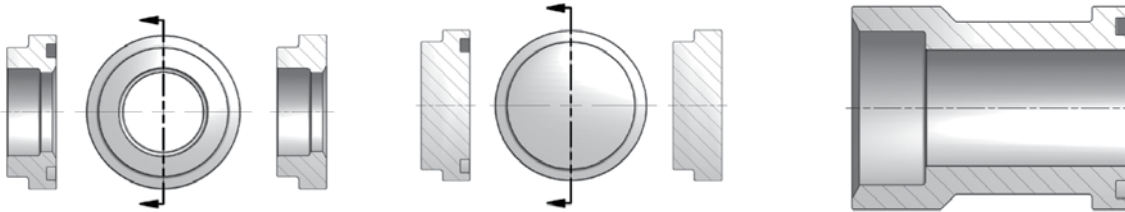
SAE J518 SPLIT FLANGE		
HALF ONLY	PRESSURE RATING	KIT FORM
SF-2	CODE 61	*SFO
SFX-2	CODE 62	*SFXO

SAE J518 CAPTIVE FLANGE		
DRILLED BOLT HOLES	PRESSURE RATING	THREAD BOLT HOLES
SFW	CODE 61	SFTW
SFXW	CODE 62	SFXTW

CAT STYLE SPLIT FLANGE	
HALF ONLY	KIT FORM
PTX-2	*PTXO
NO O-RING INCLUDED IN THIS SERIES KIT	

\* When ordering this part # you will receive the kit: (2) split flange halves, (4) hex head bolts and lock washers, and (1) Buna N O-ring.

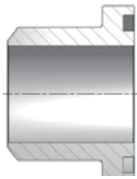
# FLANGED HEAD FITTINGS



TUBE FLANGE HEAD FITTING		
O-RING	PRESSURE RATING	FLAT FACE
T-SF	CODE 61	T-SFN
T-SFX	CODE 62	T-SFXN

FLANGE PLUG		
O-RING	PRESSURE RATING	FLAT FACE
FOP	CODE 61	FP
FOPX	CODE 62	FPX

SOCKET WELD TO FLANGE HEAD		
PIPE	PRESSURE RATING	TUBE
P-WSF	CODE 61	T-WSF
W53	CODE 62	W54

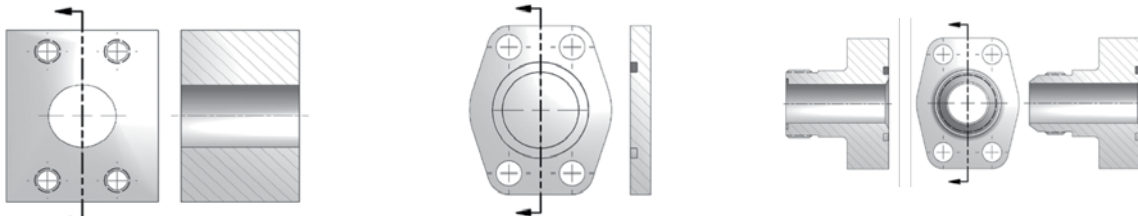


BUTT WELD TO FLANGE HEAD		
O-RING	PRESSURE RATING	FLAT FACE
P-BWSF	CODE 61	P-BWSFN
P-BWSFX	CODE 62	P-BWSFNX



Available for the following schedules of pipe:  
Code 61 - 40, 80, 160 Code 62 - 80, 160, XXS

# NEW FLANGE PRODUCTS



CONNECTOR BLOCKS	
FLAT FACE	PRESSURE RATING
ACB	CODE 61
ACBX	CODE 62

SHIPPING PLATES (0 PSI)	
O-RING & FLAT FACE	PRESSURE RATING
SP	CODE 61
SPX	CODE 62

MALE THREAD		
ORFS	PRESSURE RATING	JIC
W304	CODE 61	W300
W604	CODE 62	W600

## **OFF-THE-SHELF AVAILABILITY. ENGINEERED FOR PERFORMANCE.**



Anchor's broad range of hydraulic flange configurations provides design engineers and shop assembly personnel with total flexibility in the plumbing of hydraulic systems. Our wide variety of standard configurations are available OFF-THE-SHELF to meet today's reduced lead time requirements.

Anchor's commitment to quality continues to grow while serving today's global market. State-of-the-art equipment, together with full implementation of SPC manufacturing procedures, ensures the highest, most consistent quality throughout the entire product line.

Competitive pricing has long been a trademark of Anchor Fluid Power. This commitment to value continues on our complete line of hydraulic flanges. For our detailed catalog containing specifications on more than 1,200 sizes and configurations call, fax, or visit us on the web at [www.anchorfluidpower.com](http://www.anchorfluidpower.com).

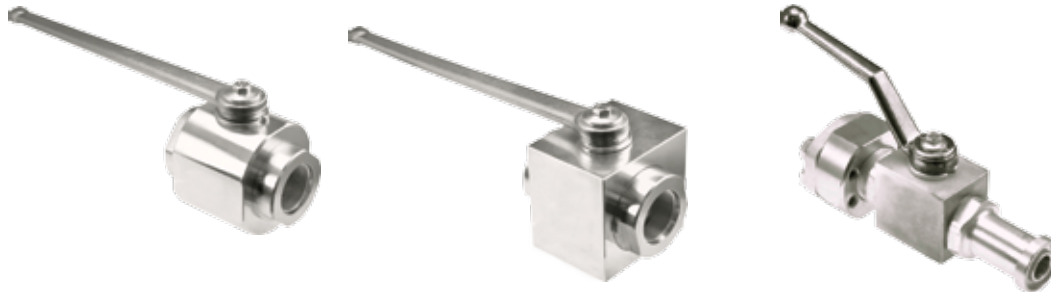


**866-FLANGES | 513.527.4444 | Fax 513.527.4449**  
sales@anchorfluidpower.com | anchorfluidpower.com

**FLOW CONTROL, NEEDLE & CHECK VALVES**



**HYDRAULIC BALL VALVES**



**WELD COUPLINGS**



**FLANGES - CARBON STEEL**



**FLANGES - STAINLESS STEEL**



# FLOW NEEDLE & CHECK VALVES



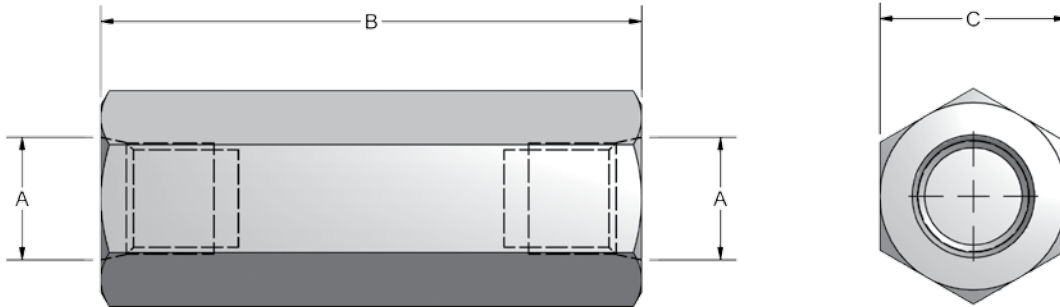
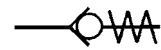
866-FLANGES | 513.527.4444 | Fax 513.527.4449  
sales@anchorfluidpower.com | anchorfluidpower.com

<b>Carbon Steel Check Valves</b>	<b>4</b>
<b>Carbon Steel Flow Control Valves</b>	<b>6</b>
<b>Carbon Steel Needle Valves</b>	<b>8</b>

# Check Valves - Carbon Steel



- NPTF & SAE Connections
- Carbon Steel with Zinc Chromate Plating (RoHS Compliant)
- Available in 7 PSI & 65 PSI Spring Cracking Pressures
- Metal to Metal Seat
- Hardened Poppet
- Temperature Range -4°F to +176°F



CHECK VALVES						
A		B	C	MAX PSI	MAX FLOW GPM	WEIGHT (LBS)
NPTF	SAE					
1/4"	#4	2.17	.75	5700	4	.2
3/8"	N/A	2.68	.95	5700	8	.4
N/A	#6	2.28	.75	5700	8	.2
1/2"	N/A	2.95	1.06	5700	13	.5
N/A	#8	2.72	.95	5700	13	.4
3/4"	#12	3.48	1.38	5700	23	1.0
1"	#16	4.33	1.61	5000	40	1.6
1 1/4"	#20	4.72	2.17	5000	50	3.4
1 1/2"	#24	5.43	2.56	5000	80	5.6
2"	#32	5.43	2.95	4500	110	6.7





# Check Valves - Carbon Steel

## Model Code Breakdown

C N 1/2 - 1 - 7

VALVE SERIES

THREAD TYPE

N	NPTF Pipe Thread
S#	SAE Straight Thread

THREAD SIZE

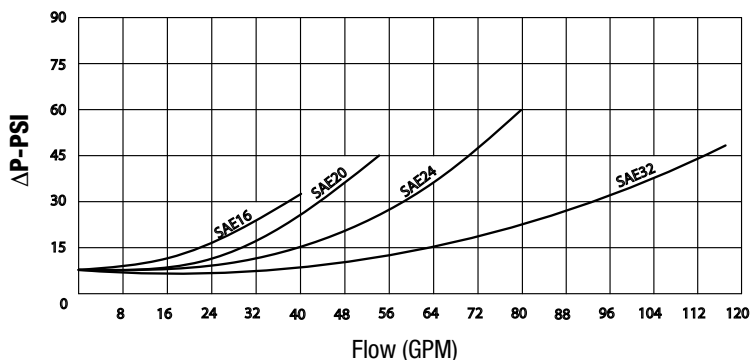
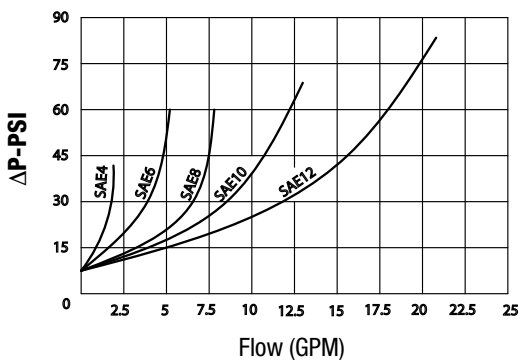
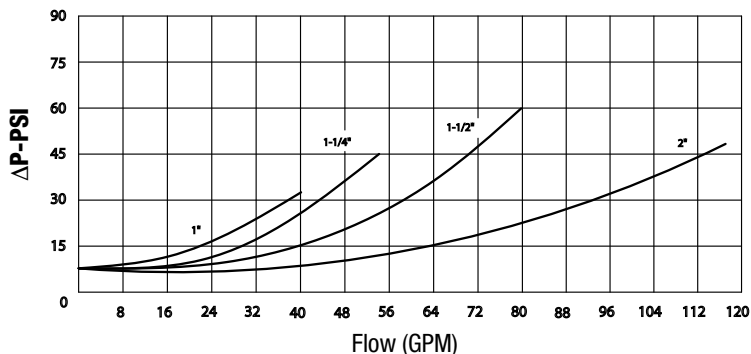
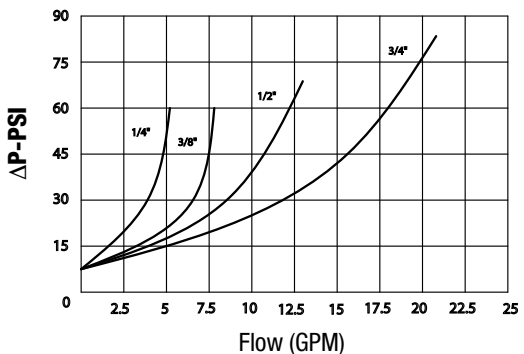
Example	N1/2
	S#8

CRACKING PRESSURE

7	7 PSI
65	65 PSI

MATERIAL

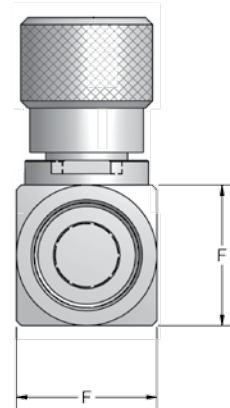
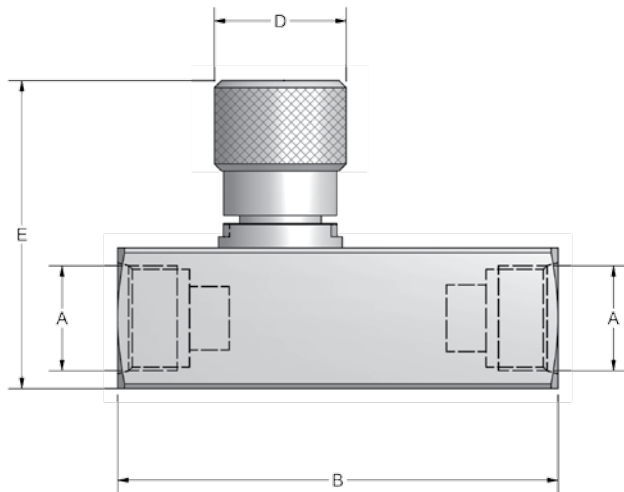
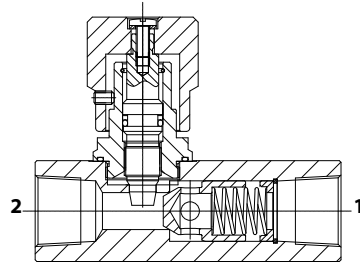
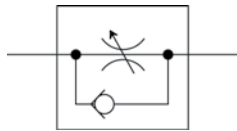
1	Carbon Steel
---	--------------



# Flow Control Valves - Carbon Steel



- NPTF & SAE Connections
- Carbon Steel with Zinc Chromate Plating (RoHS Compliant)
- Set Screw Allows Knob to be Locked into Position
- Graduated Knob & Spindle for Accurate Flow Control
- 7 PSI Standard Spring Setting
- Buna O-Ring / PTFE Stem Packing
- Temperature Range -4°F to +176°F
- These valves are for control of flow only. Not to be used as isolation or shut-off valves



FLOW CONTROL VALVES								
A		B	D	E	F	MAX PSI	MAX FLOW GPM	WEIGHT (LB)
NPTF	SAE							
1/4	#4	2.60	1.18	2.67	0.98	5700	4	0.83
3/8	#6	3.00	1.18	2.67	0.98	5700	8	0.86
1/2	#8	3.58	1.29	2.79	1.18	5700	13	1.4
3/4	#12	4.43	1.65	3.70	1.57	5700	21	3.0
1	#16	5.55	1.65	3.93	1.77	5700	40	4.2
1-1/4	#20	6.10	2.08	4.78	2.16	4000	50	7.0
1-1/2	#24	6.61	2.08	5.17	2.55	4000	80	10.0



# Flow Control Valves - Carbon Steel

## Model Code Breakdown

**F N 1/2 - 1**

**Valve Series** •

• **Material**

**Thread Type** •

1	Carbon Steel
---	--------------

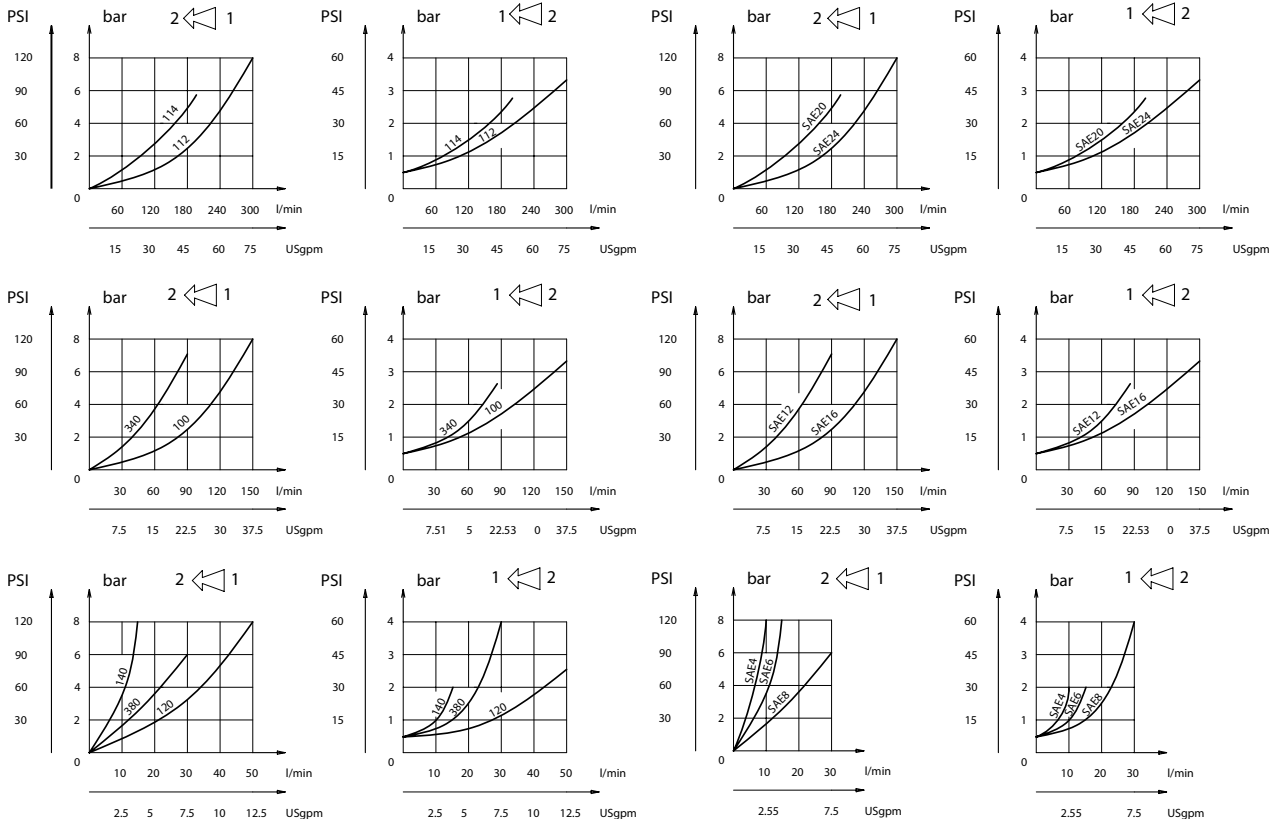
N	NPTF Pipe Thread
S#	SAE Straight Thread

• **Thread Size**

Example	N1/2
	S#8

### NPTF

### SAE

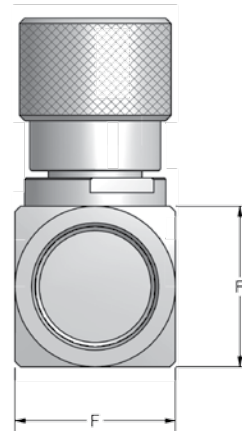
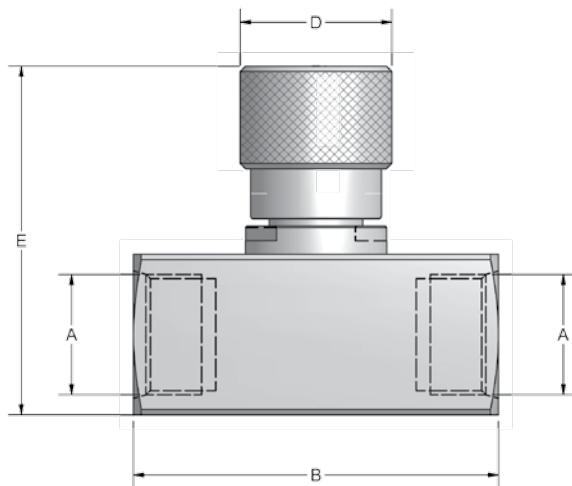
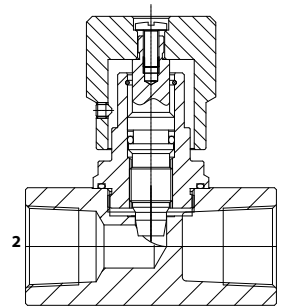
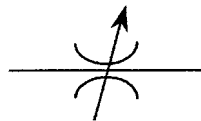


FLOW NEEDLE & CHECK VALVES  
 HYDRAULIC BALL VALVES  
 WELD COUPLINGS  
 HPU SUCTION & RETURN CONNECTIONS  
 FLANGES CARBON STEEL  
 FLANGES STAINLESS STEEL

# Needle Valves - Carbon Steel



- NPTF & SAE Connections
- Carbon Steel with Zinc Chromate Plating (RoHS Compliant)
- Set Screw Allows Knob to be Locked into Position
- Graduated Knob & Spindle for Accurate Flow Control
- Buna O-Ring / PTFE Stem Packing
- Temperature Range -4°F to +176°F
- These valves are for control of flow only. Not to be used as isolation or shut-off valves



NEEDLE VALVES								
A		B	D	E	F	MAX PSI	MAX FLOW GPM	WEIGHT (LB)
NPTF	SAE							
1/4	#4	2.12	1.18	2.67	0.98	5700	4	0.70
3/8	#6	2.12	1.18	2.67	0.98	5700	8	0.66
1/2	#8	2.51	1.29	2.85	1.18	5700	13	1.0
3/4	#12	3.19	1.65	3.70	1.57	5700	21	2.3
1	#16	4.00	1.65	3.93	1.77	5700	40	3.2
1-1/4	#20	4.02	2.08	4.78	2.16	4000	50	5.0
1-1/2	#24	4.02	2.08	5.17	2.55	4000	80	6.5



# Needle Valves - Carbon Steel

## Model Code Breakdown

**N N 1/2 - 1**

**Valve Series •**

**• Material**

**Thread Type •**

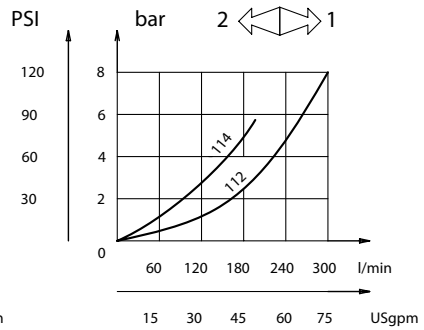
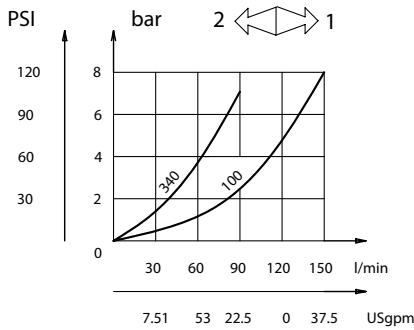
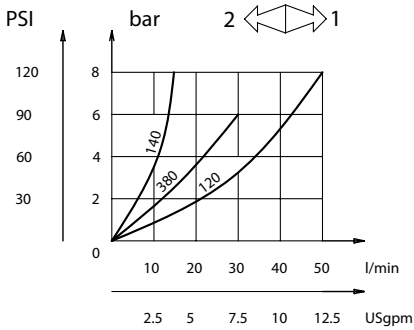
1	Carbon Steel
---	--------------

N	NPTF Pipe Thread
S#	SAE Straight Thread

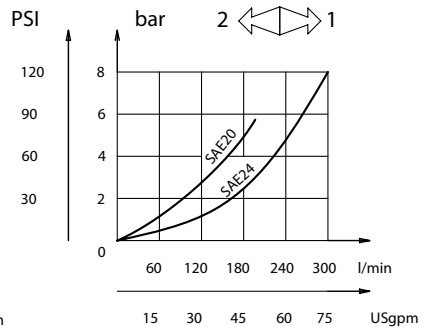
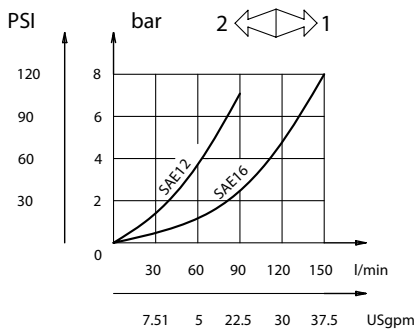
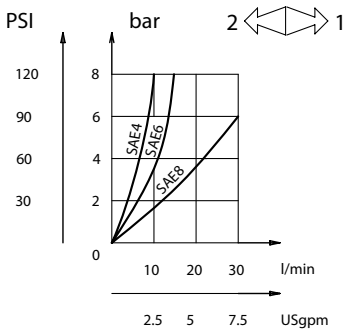
**• Thread Size**

Example	N1/2
	S#8

### NPTF



### SAE













# HYDRAULIC BALL VALVES



866-FLANGES | 513.527.4444 | Fax 513.527.4449  
sales@anchorfluidpower.com | anchorfluidpower.com

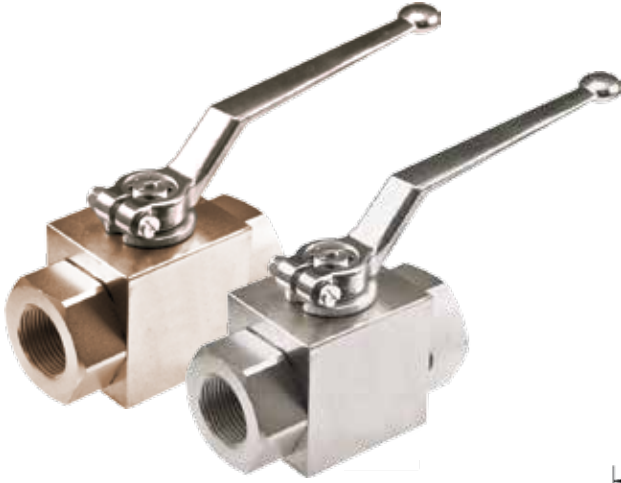
<b>AE2 / Two-Way Block Body Threaded</b>	<b>16</b>
<b>AB2 / Two-Way Round Body Threaded</b>	<b>18</b>
<b>AV2 / Two-Way Excavator Style</b>	<b>20</b>
<b>AV3 / Three-Way Excavator Style</b>	<b>22</b>
<b>AE3 / Three-Way Block Body Threaded</b>	<b>24</b>
<b>AE3K / “True” Three-Way Block Body Threaded</b>	<b>26</b>
<b>AB3 / Three-Way Body Threaded</b>	<b>28</b>
<b>AES / Two-Way Block Body Flange Head</b>	<b>30</b>
<b>ABS / Two-Way Round Body Flange Head</b>	<b>32</b>
<b>AEF / Two-Way Block Body Flat Faced</b>	<b>34</b>
<b>ABF / Two-Way Round Body Flat Faced</b>	<b>36</b>
<b>AES/F &amp; ABS/F / Two-Way Flange Head X Flat Face</b>	<b>38</b>
<b>APK / Two-Way Manifold Mount</b>	<b>40</b>
<b>Locking Kits</b>	<b>42</b>
<b>Handles</b>	<b>43</b>
<b>LV2B / 1000 WOG Two-Way Stainless Steel</b>	<b>44</b>
<b>MV2B / 2000 WOG Two-Way Stainless Steel</b>	<b>45</b>

**BALL VALVE PRESSURE SPECIFICATIONS**

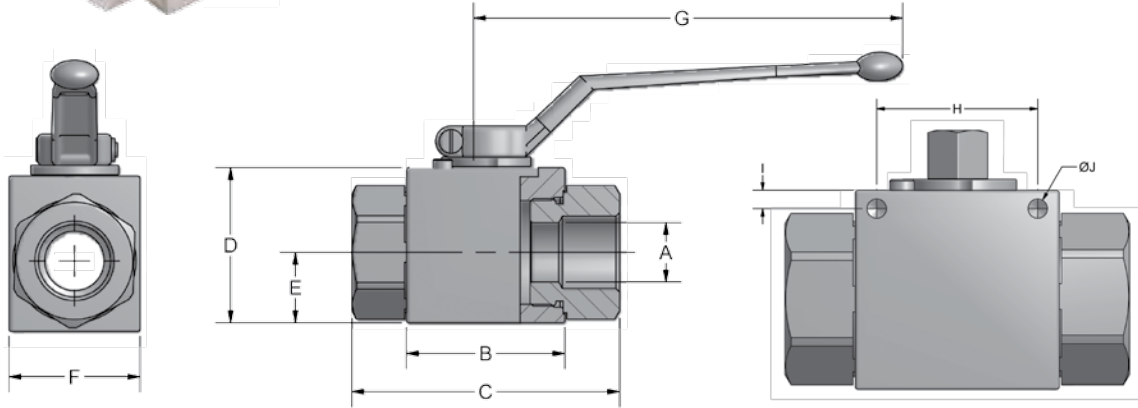
Anchor Fluid Power ball valves are tested in accordance with API 598-B16.34-API602 standards. End connections are manufactured in accordance with one or more of the following specifications.

<b>SAE J1926-1</b>	<b>SAE J518-1</b>	<b>ISO 6162-1</b>	<b>SAE J514</b>
<b>SAE J1453-1</b>	<b>SAE J518-2</b>	<b>ISO 6162-2</b>	<b>ANSI B.1.20.1</b>

# AE2 Series - Two-Way Block Body Threaded



- Carbon Steel with Zinc Chromate Plating (RoHS Compliant)
- 316 stainless steel available from stock
- Unrestricted bore up to 1" size
- POM seats & Buna O-rings standard on carbon steel valves
- Optional seal materials available for extreme temperature applications & fluid compatibility (Consult Factory)



Standard handles supplied are:  
Refer to page 43 for details.

1/8" - 1/2"  
3/4" - 1 1/2"

C1010ZB  
C1200ZB

Optional Mounting Holes

**AE2 SERIES FULL BORE**

SERIES		PSI MAX	A BORE	B	C	D		E	F		G	H	I	J	WEIGHT
NPT	SAE					CARBON	STAINLESS		CARBON	STAINLESS					
AE2 N1/8	N/A	7250	.16	1.67	2.80	1.38	C/F	.57	1.18	C/F	4.33	C/F	C/F	C/F	1.1 LBS
AE2 N1/4	AE2 S#4	7250	.24	1.67	2.80	1.38	1.38	.57	1.18	1.38	4.33	1.34	.18	.21	1.1 LBS
AE2 N3/8	AE2 S#6	7250	.39	1.75	2.87	1.57	1.57	.69	1.38	1.57	4.33	1.34	.18	.21	1.4 LBS
AE2 N1/2	AE2 S#8	7250	.51	1.90	3.27	1.69	1.77	.71	1.46	1.77	4.33	1.42	.20	.21	1.7 LBS
AE2 N3/4	AE2 S#12	5800	.79	2.46	3.74	2.17	2.17	.92	1.77	2.17	7.09	1.97	.24	.25	3.3 LBS
AE2 N1	AE2 S#16	5075	.98	2.62	4.41	2.56	2.56	1.16	2.17	2.56	7.09	1.97	.24	.25	5.0 LBS

**AE2 SERIES REDUCED BORE**

SERIES		PSI MAX	A BORE	B	C	D		E	F		G	H	I	J	WEIGHT
NPT	SAE					CARBON	STAINLESS		CARBON	STAINLESS					
AE2 N1-1/4R	AE2 S#20R	5075	.98	2.62	4.72	2.56	2.56	1.16	2.17	2.56	7.09	C/F	C/F	C/F	5.2 LBS
AE2 N1-1/2R	AE2 S#24R	5075	.98	2.62	4.88	2.56	2.56	1.16	2.17	2.56	7.09	C/F	C/F	C/F	5.5 LBS





# AE2 Series - Two-Way Block Body Threaded

## Model Code Breakdown

AE2 N1/2 \_ - 1 1 D B \_ \_ \_

**VALVE SERIES**

**CONNECTION TYPE/SIZE**

N	NPT Pipe Thread
S	SAE Straight Thread
B	BSPP Thread

**BORE RESTRICTION**

blank	Unrestricted Bore
R	Restricted Bore

**BODY & ADAPTER MATERIAL**

1	Carbon Steel
2	316 Stainless Steel

**BALL & STEM MATERIAL**

1	Carbon Steel
2	316 Stainless Steel

**OPTIONAL MOUNTING HOLE**

MH	Mounting Holes
----	----------------

**LOCKING KIT OR  
OPTIONAL HANDLE CODE**  
(See pages 42 & 43)

**ADAPTER & STEM SEALS**

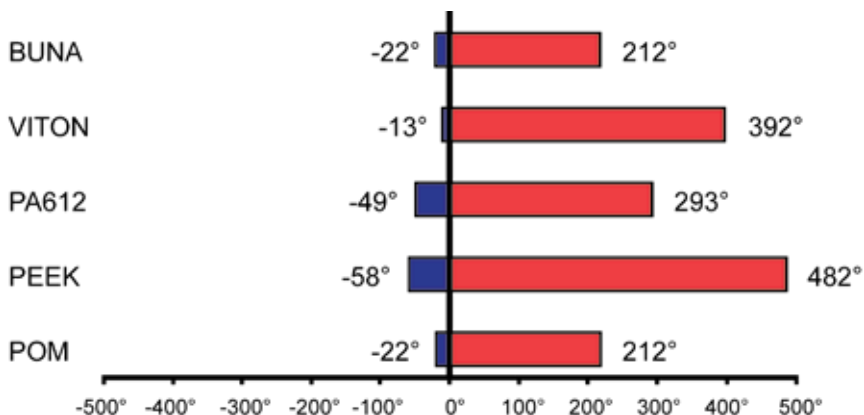
B	Buna- Standard
V	Viton (Std on S/S)

**BALL & STEM SEATS**

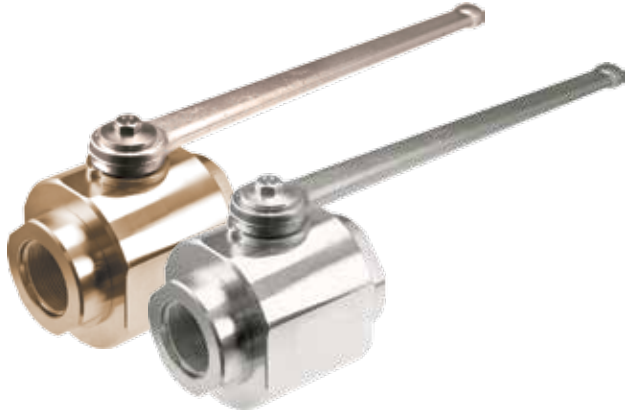
D	POM- Standard
P	PEEK

Please consult your system's seal manufacturer for recommendation of seal selection, as Anchor Fluid Power does not accept responsibility for seal selection.

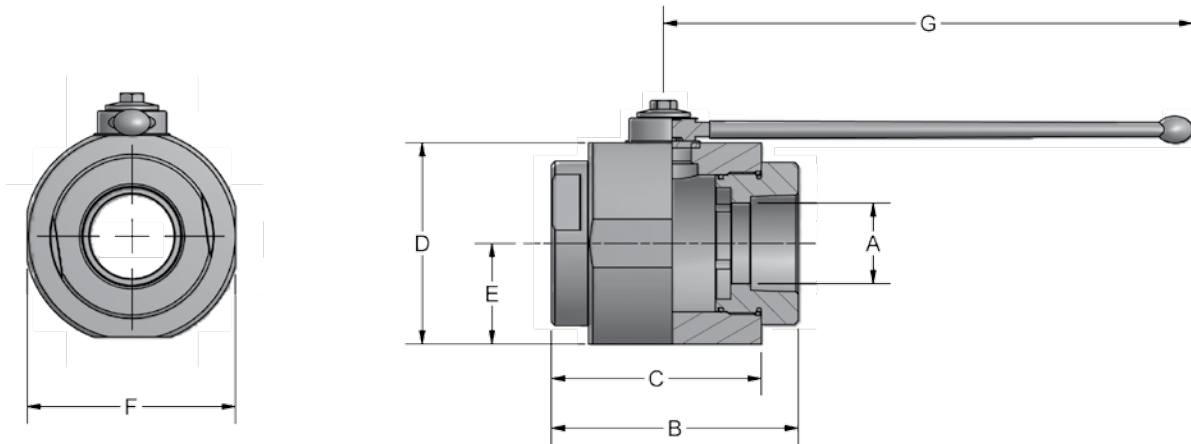
### MAXIMUM & MINIMUM WORKING TEMPERATURES FOR SEAL MATERIALS



# AB2 Series - Two-Way Round Body Threaded



- Carbon Steel with Zinc Chromate Plating (RoHS Compliant)
- 316 stainless steel available from stock
- Unrestricted bore available through 2" size
- POM seats & Buna O-rings standard on carbon steel valves
- Optional seal materials available for extreme temperature applications & fluid compatibility (Consult Factory)



Standard handle supplied is C81302B. Refer to page 43 for details.

AB2 SERIES FULL BORE										
NPT	SAE	PSI MAX	A BORE	B	C	D	E	F	G	WEIGHT
AB2 N1-1/4	AB2 S#20	5075	1.26	4.53	3.74	3.66	1.83	3.46	11.81	15.4 LBS
AB2 N1-1/2	AB2 S#24	5075	1.57	5.16	4.25	4.21	2.11	4.02	11.81	16.3 LBS
AB2 N2	AB2 S#32	5075	1.97	5.51	4.53	4.49	2.24	4.65	11.81	19.9 LBS

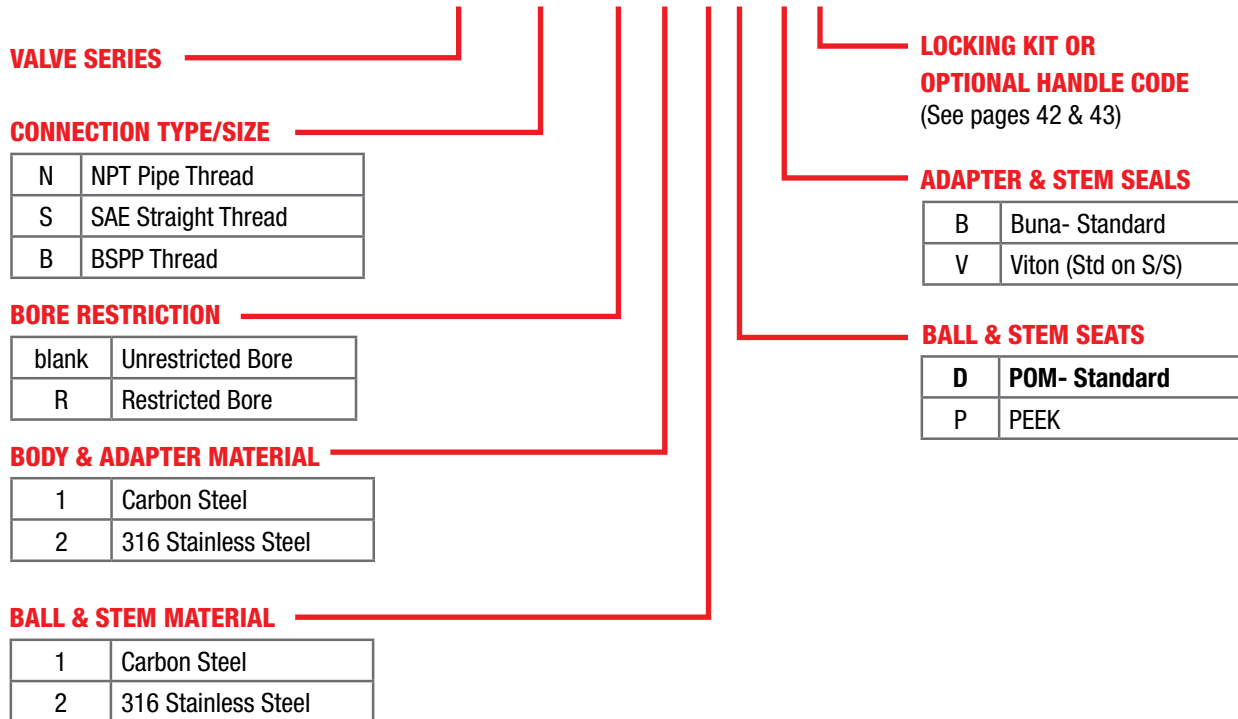
NPT threads in accordance with ANSI B.1.20.1 specifications.  
SAE threads in accordance with SAE J1926-1 specifications.



# AB2 Series - Two-Way Round Body Threaded

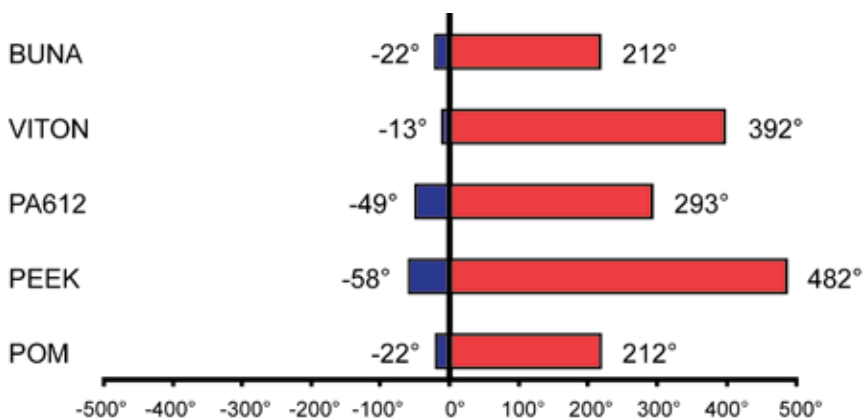
## Model Code Breakdown

AB2 N1 1/2 \_ - 1 1 D B \_



Please consult your system's seal manufacturer for recommendation of seal selection, as Anchor Fluid Power does not accept responsibility for seal selection.

### MAXIMUM & MINIMUM WORKING TEMPERATURES FOR SEAL MATERIALS

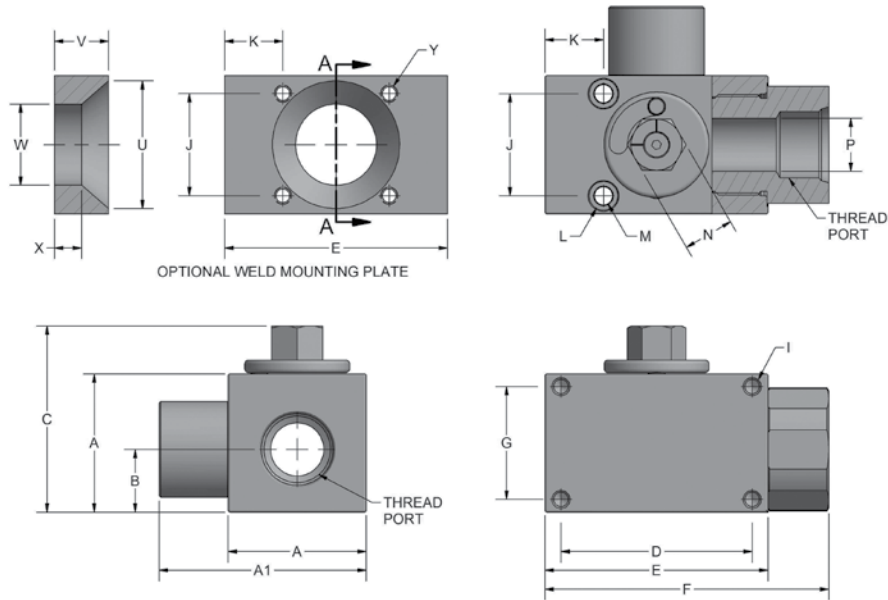


All temperatures are in degrees Fahrenheit.

# AV2 Series - Two-Way Excavator Style



- Carbon Steel with Zinc Chromate Plating (RoHS Compliant)
- Hex stem eliminates need for attached handle
- Detented stop washer prevents accidental actuation
- Mounting holes standard
- Max pressure of 7250 PSI on all sizes
- No handle available for this series
- Optional weld mounting plates sold separately



\*Weld Plate Mounting Pattern Matches "J" Dimension (Top of Valve)

AV2 SERIES																
NPT	SAE	A	B	C	D	E	F	G	I	J	K	L	M	N	P	WEIGHT
AV2N1/2	AV2S#8	1.77	0.79	2.46	2.52	3.15	4.07	1.30	M8 X 1.25	1.26	0.91	0.41	0.25	0.75	0.51	2.9 LBS
AV2N3/4	AV2S#12	2.17	0.92	3.05	3.15	3.98	5.10	1.69	M8 X 1.25	1.57	1.00	0.53	0.32	0.94	0.79	5.3 LBS
AV2N1	AV2S#16	2.56	1.16	3.44	3.54	4.13	5.26	2.09	M8 X 1.25	1.89	1.08	0.53	0.32	0.94	0.98	7.6 LBS
AV2N1-1/4R	AV2S#20R	2.56	1.16	3.44	3.54	4.13	5.26	2.09	M8 X 1.25	1.89	1.08	0.53	0.32	0.94	0.98	7.2 LBS
AV2N1-1/4	AV2S#20	3.15	1.32	4.07	3.39	4.13	5.26	2.52	M8 X 1.25	2.36	0.96	0.53	0.32	1.26	1.26	11.0 LBS

WELD MOUNTING PLATES							
PART #	VALVE SIZE	U	V	W	X	Y	KIT INCLUDED SHCS
*WP-AV#8U	1/2"	N/A	1.00	N/A	N/A	M6 X 1.00	M6 X 50 MM
WP-AV#12U	3/4"	1.97	1.00	1.50	.50	5/16-18 UNC-2B	5/16 X 2.25"
WP-AV#16U	1" & 1 1/4" REDUCED	2.36	1.00	1.50	.50	5/16-18 UNC-2B	5/16 X 2.75"
WP-AV#20U	1 1/4" FULL	2.86	1.00	1.50	.50	5/16-18 UNC-2B	5/16 X 3.25"

\*No internal weld hole on this size weld plate



# AV2 Series - Two-Way Block Body Threaded

## Model Code Breakdown

AV2 N1/2 \_ - 1 1 D V

**VALVE SERIES**

**CONNECTION TYPE/SIZE**

N	NPT Pipe Thread
S	SAE Straight Thread

**BORE RESTRICTION**

blank	Unrestricted Bore
R	Restricted Bore

**BODY & ADAPTER MATERIAL**

1	Carbon Steel
---	--------------

**ADAPTER & STEM SEALS**

V	Viton (Standard)
---	------------------

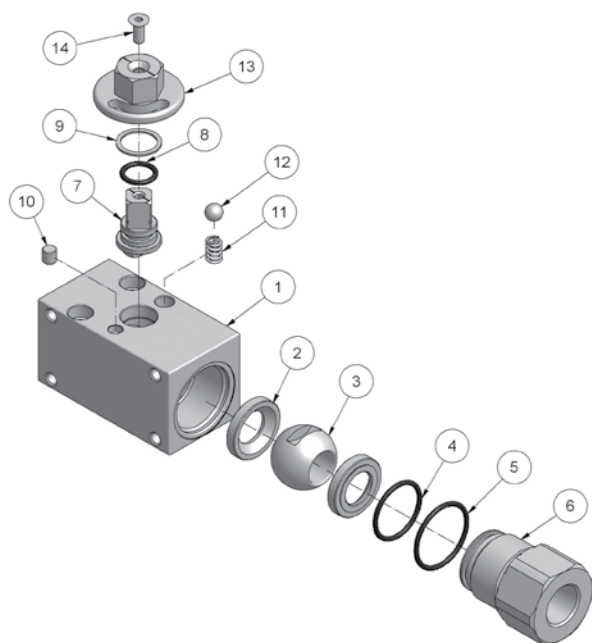
**BALL & STEM SEATS**

D	POM
---	-----

**BALL & STEM MATERIAL**

1	Carbon Steel
---	--------------

Please consult your system's seal manufacturer for recommendation of seal selection, as Anchor Fluid Power does not accept responsibility for seal selection.



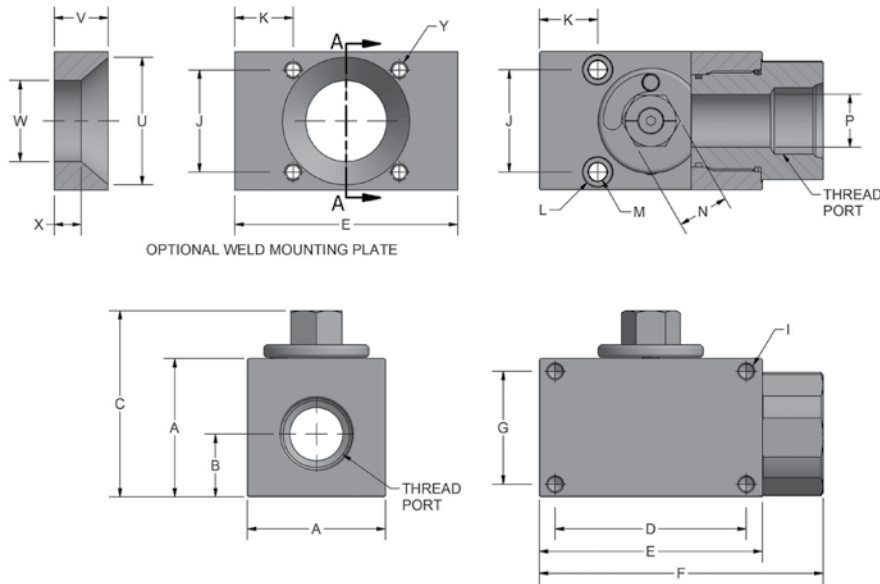
Parts List		
ITEM	QTY	PART NUMBER
1	1	AV2 Valve Body
2	2	Ball Seats
3	1	Ball
4	1	Adapter O-Ring (Small)
5	1	Adapter O-Ring (Large)
6	1	Adapter
7	1	Stem
8	1	Stem O-Ring
9	1	Stem Seat
10	1	Stop Pin
11	1	Spring
12	1	Detent Ball
13	1	Alignment Stop
14	1	Screw

FLOW NEEDLE & CHECK VALVES  
 HYDRAULIC BALL VALVES  
 WELD COUPLINGS  
 HPU SUCTION & RETURN CONNECTIONS  
 FLANGES CARBON STEEL  
 FLANGES STAINLESS STEEL

# AV3 Series - Three-Way Excavator Style



- Carbon Steel with Zinc Chromate Plating (RoHS Compliant)
- Hex stem eliminates need for attached handle
- No handle available for this series
- Detented stop washer prevents accidental actuation
- Mounting holes standard
- Max pressure of 5075 PSI on all sizes
- Optional weld mounting plates sold separately



\*Weld Plate Mounting Pattern Matches "J" Dimension (Top of Valve)

AV3 SERIES																		
NPT	SAE	A	A1	B	C	D	E	F	G	H	I	J	K	L	M	N	P	WEIGHT
AV3LN1/2	AV3LS#8	1.77	2.62	0.79	2.74	2.52	3.15	4.07	1.30	2.46	M8 X 1.25	1.26	0.91	0.41	0.25	0.75	0.51	3.0 LBS
AV3LN3/4	AV3LS#12	2.17	3.35	0.92	2.89	3.15	3.98	5.10	1.69	3.05	M8 X 1.25	1.57	1.00	0.53	0.32	0.94	0.79	5.5 LBS
AV3LN1	AV3LS#16	2.56	3.84	1.16	3.29	3.54	4.13	5.26	2.09	3.44	M8 X 1.25	1.89	1.08	0.53	0.32	0.94	0.98	7.9 LBS
AV3LN1-1/4R	AV3LS#20R	2.56	3.90	1.16	3.29	3.54	4.13	5.26	2.09	3.44	M8 X 1.25	1.89	1.08	0.53	0.32	0.94	0.98	7.7 LBS
AV3LN1-1/4	AV3LS#20	3.15	4.65	1.32	3.88	3.39	4.13	5.26	2.52	4.07	M8 X 1.25	2.36	0.96	0.53	0.32	1.26	1.26	11.7 LBS

WELD MOUNTING PLATES							
PART #	VALVE SIZE	U	V	W	X	Y	KIT INCLUDED SHCS
*WP-AV#8U	1/2"	N/A	1.00	N/A	N/A	M6 X 1.00	M6 X 50 MM
WP-AV#12U	3/4"	1.97	1.00	1.50	.50	5/16-18 UNC-2B	5/16 X 2.25"
WP-AV#16U	1" & 1 1/4" REDUCED	2.36	1.00	1.50	.50	5/16-18 UNC-2B	5/16 X 2.75"
WP-AV#20U	1 1/4" FULL	2.86	1.00	1.50	.50	5/16-18 UNC-2B	5/16 X 3.25"





# AV3 Series - Three-Way Excavator Style

## Model Code Breakdown

AV3L N1/2 - 1 1 D V

**VALVE SERIES**

**CONNECTION TYPE/SIZE**

N	NPT Pipe Thread
S	SAE Straight Thread

**BORE RESTRICTION**

blank	Unrestricted Bore
R	Restricted Bore

**BODY & ADAPTER MATERIAL**

1	Carbon Steel
---	--------------

**ADAPTER & STEM SEALS**

V	Viton (Standard)
---	------------------

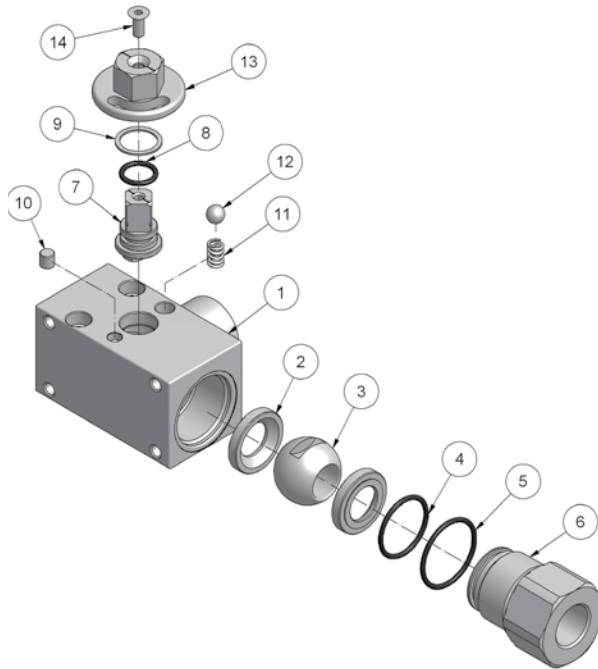
**BALL & STEM SEATS**

D	POM
---	-----

**BALL & STEM MATERIAL**

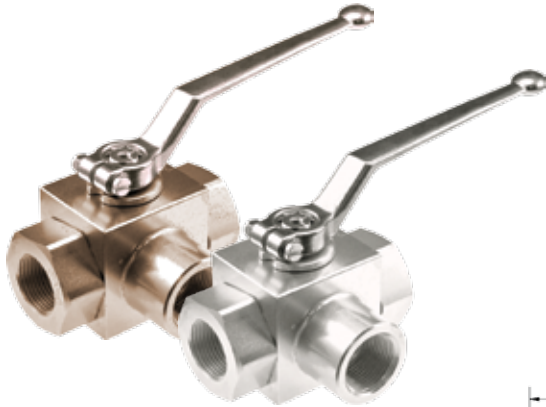
1	Carbon Steel
---	--------------

Please consult your system's seal manufacturer for recommendation of seal selection, as Anchor Fluid Power does not accept responsibility for seal selection.

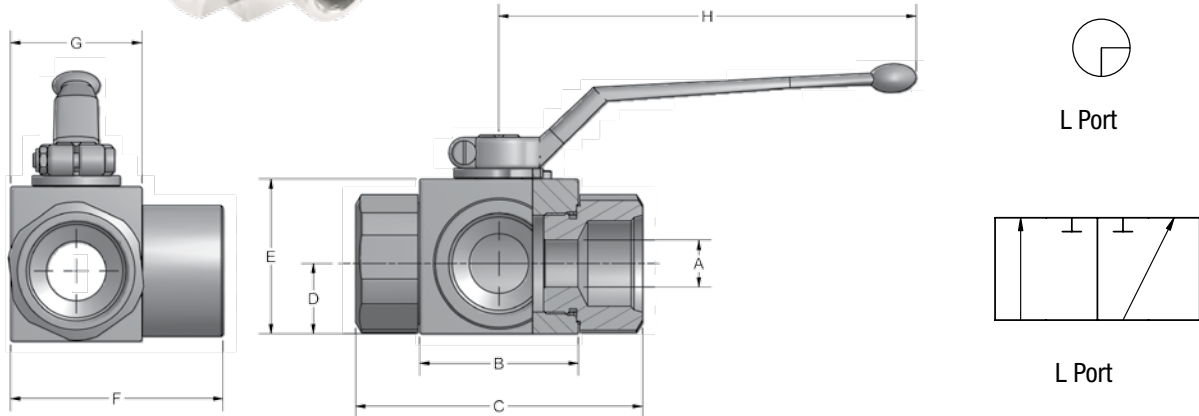


Parts List		
ITEM	QTY	PART NUMBER
1	1	AV3 Valve Body
2	2	Ball Seats
3	1	Ball
4	1	Adapter O-Ring (Small)
5	1	Adapter O-Ring (Large)
6	1	Adapter
7	1	Stem
8	1	Stem O-Ring
9	1	Stem Seat
10	1	Stop Pin
11	1	Spring
12	1	Detent Ball
13	1	Alignment Stop
14	1	Screw

# AE3 Series - Three-Way Block Body Threaded



- Carbon Steel with Zinc Chromate Plating (RoHS Compliant)
- 316 stainless steel available from stock
- POM seats & Buna O-rings standard on carbon steel valves
- Optional seal materials available for extreme temperature applications & fluid compatibility (Consult Factory)



Standard handles supplied are: 1/8" - 1/2" C1010ZB  
 Refer to page 43 for details. 3/4" - 1 1/2" C1200ZB

AE3 SERIES FULL BORE											
NPT	SAE	PSI MAX	A BORE	B	C	D	E	F	G	H	WEIGHT
AE3 L N1/8	N/A	7250	.16	1.70	2.80	.57	1.38	1.91	1.18	4.33	1.2 LBS
AE3 L N1/4	AE3 L S#4	7250	.24	1.70	2.80	.57	1.38	1.91	1.18	4.33	1.2 LBS
AE3 L N3/8	AE3 L S#6	7250	.39	1.75	2.87	.67	1.57	2.15	1.38	4.33	1.5 LBS
AE3 L N1/2	AE3 L S#8	7250	.51	1.91	3.27	.71	1.69	2.30	1.46	4.33	1.8 LBS
AE3 L N3/4	AE3 L S#12	5075	.79	2.46	3.74	.92	2.17	2.95	1.77	7.09	3.5 LBS
AE3 L N1	AE3 L S#16	5075	.98	2.62	4.41	1.16	2.56	3.44	2.17	7.09	5.3 LBS

AE3 SERIES REDUCED BORE											
NPT	SAE	PSI MAX	A BORE	B	C	D	E	F	G	H	WEIGHT
AE3 L N1-1/4R	AE3 L S#20R	5075	.98	2.62	4.72	1.16	2.56	3.44	2.17	7.09	5.7 LBS
AE3 L N1-1/2R	AE3 L S#24R	5075	.98	2.62	4.88	1.16	2.56	3.44	2.17	7.09	6.1 LBS

Only pressurize center port. Side ports should not be pressurized or be exposed to back pressure that is greater than the inlet pressure. Failure to follow these guidelines will result in internal leakage through the valve. For applications requiring pressure applied to side ports, please refer to AE3K Series valves on page 26.

NPT threads in accordance with ANSI B.1.20.1 specifications.  
 SAE threads in accordance with SAE J1926-1 specifications.



# AE3 Series - Three-Way Block Body Threaded

## Model Code Breakdown

AE3L N1/2 - 1 1 D B

**VALVE SERIES**

**PORT TYPE**

L	"Diverter" L-Port
---	-------------------

**CONNECTION TYPE/SIZE**

N	NPT Pipe Thread
S	SAE Straight Thread

**BORE RESTRICTION**

blank	Unrestricted Bore
R	Restricted Bore

**BODY & ADAPTER MATERIAL**

1	Carbon Steel
2	316 Stainless Steel

**BALL & STEM MATERIAL**

1	Carbon Steel
2	316 Stainless Steel

**LOCKING KIT OR OPTIONAL HANDLE CODE**  
(See pages 42 & 43)

**ADAPTER & STEM SEALS**

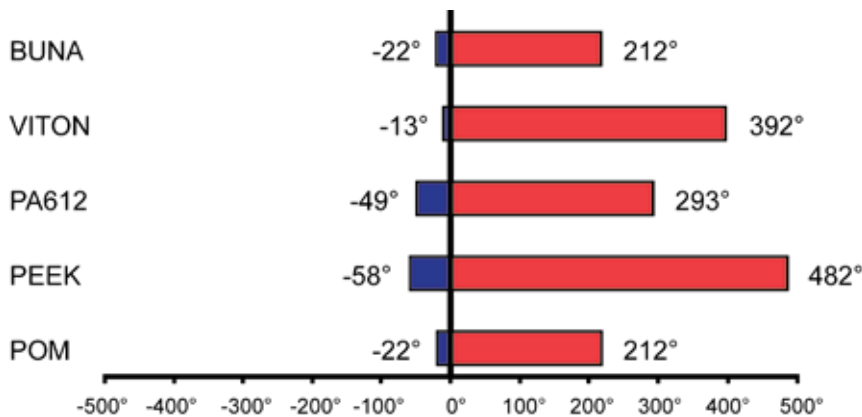
B	Buna- Standard
V	Viton (Std on S/S)

**BALL & STEM SEATS**

D	POM- Standard
P	PEEK

Please consult your system's seal manufacturer for recommendation of seal selection, as Anchor Fluid Power does not accept responsibility for seal selection.

**MAXIMUM & MINIMUM WORKING TEMPERATURES FOR SEAL MATERIALS**



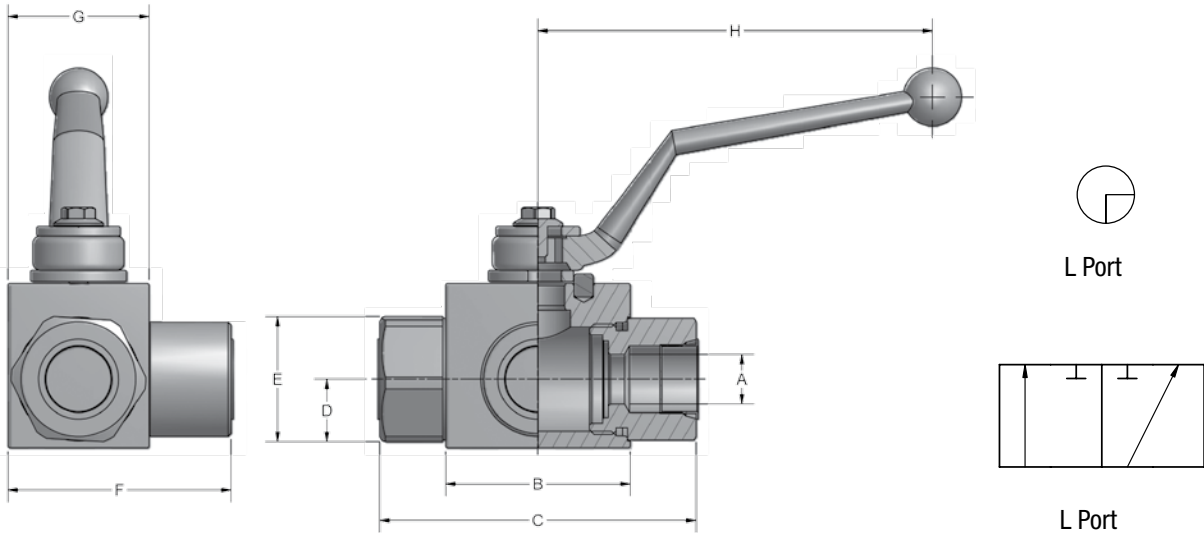
All temperatures are in degrees Fahrenheit.

# HYDRAULIC BALL VALVES

## AE3K Series - Three-Way Block Body Threaded



- Any port may be pressurized on this series valve ("True" 3-way valve)
- Carbon Steel with Zinc Chromate Plating (RoHS Compliant)
- POM seats & Buna O-rings standard on carbon steel valves
- Optional seal materials available for extreme temperature applications & fluid compatibility (Consult Factory)



Standard handles supplied are: 1/4" - 1/2" C1010ZB  
 Refer to page 43 for details. 3/4" - 1" C1200ZB

AE3K SERIES FULL BORE											
NPT	SAE	PSI MAX	A BORE	B	C	D	E	F	G	H	WEIGHT
AE3K L N1/4	AE3K L S#4	7250	.24	1.67	2.80	.57	1.38	1.91	1.18	4.33	1.2 LBS
AE3K L N3/8	AE3K L S#6	7250	.39	1.75	2.87	.69	1.57	2.15	1.38	4.33	1.5 LBS
AE3K L N1/2	AE3K L S#8	7250	.51	1.91	3.27	.71	1.69	2.30	1.46	4.33	1.8 LBS
AE3K L N3/4	AE3K L S#12	5075	.79	2.46	3.74	.92	2.17	2.95	1.77	7.01	3.5 LBS
AE3K L N1	AE3K L S#16	5075	.98	2.62	4.41	1.16	2.56	3.44	2.17	7.01	5.3 LBS

NPT threads in accordance with ANSI B.1.20.1 specifications.  
 SAE threads in accordance with SAE J1926-1 specifications.



866-FLANGES | 513.527.4444 | Fax 513.527.4449  
 sales@anchorfluidpower.com | anchorfluidpower.com

# AE3K Series - Three-Way Block Body Threaded

## Model Code Breakdown

AE3KL N1/2 \_ - 1 1 D B \_

**VALVE SERIES**

**PORT TYPE**

L	"Diverter" L-Port
---	-------------------

**CONNECTION TYPE/SIZE**

N	NPT Pipe Thread
S	SAE Straight Thread

**BORE RESTRICTION**

blank	Unrestricted Bore
R	Restricted Bore

**BODY & ADAPTER MATERIAL**

1	Carbon Steel
---	--------------

**BALL & STEM MATERIAL**

1	Carbon Steel
---	--------------

**LOCKING KIT OR  
OPTIONAL HANDLE CODE**  
(See pages 42 & 43)

**ADAPTER & STEM SEALS**

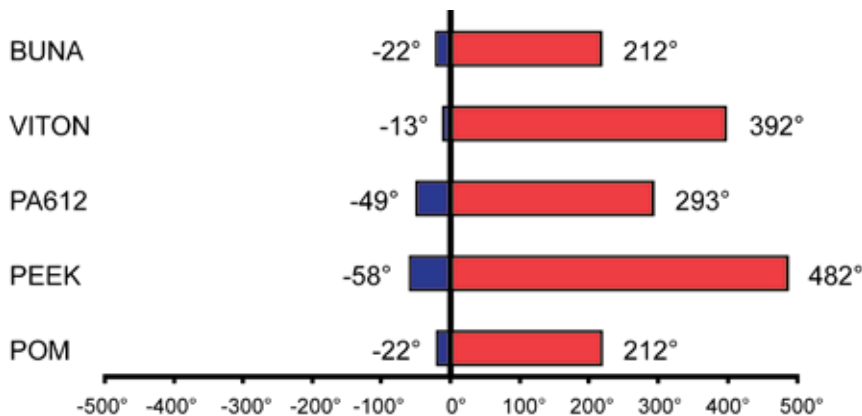
B	Buna- Standard
V	Viton

**BALL & STEM SEATS**

D	POM- Standard
---	---------------

Please consult your system's seal manufacturer for recommendation of seal selection, as Anchor Fluid Power does not accept responsibility for seal selection.

**MAXIMUM & MINIMUM WORKING TEMPERATURES FOR SEAL MATERIALS**



All temperatures are in degrees Fahrenheit.

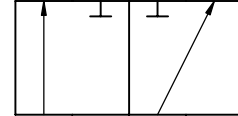
# AB3 Series - Three-Way Threaded



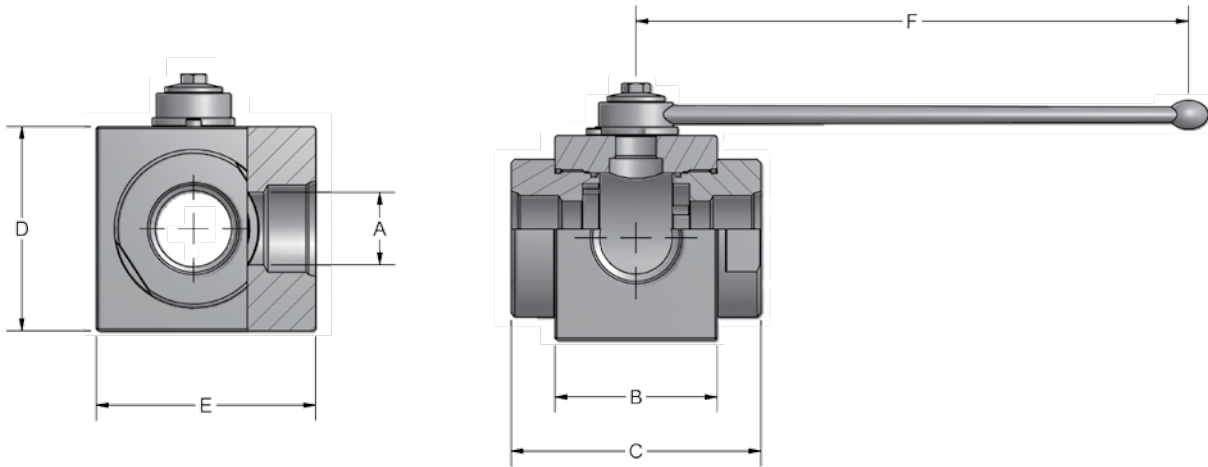
- Carbon Steel with Zinc Chromate Plating (RoHS Compliant)
- POM seats & Buna O-rings standard on carbon steel valves
- Optional seal materials available for extreme temperature applications & fluid compatibility (Consult Factory)



L Port



L Port



Standard handle supplied is C81302B. Refer to page 43 for details.

AB3 SERIES FULL BORE								
NPT	PSI MAX	A BORE	B	C	D	E	F	WEIGHT
AB3 L N1-1/4	5075	1.26	2.95	4.53	3.66	3.90	11.81	12.6 LBS
AB3 L N1-1/2	5075	1.57	3.35	5.16	4.21	4.53	11.81	19.0 LBS
AB3 L N2	5075	1.97	3.86	5.51	4.49	5.04	11.81	23.4 LBS

Only pressurize center port. Side ports should not be pressurized or be exposed to back-pressure that is greater than the inlet pressure. Failure to follow these guidelines will result in internal leakage through the valve.

NPT threads in accordance with ANSI B.1.20.1 specifications.



# AB3 Series - Three-Way Threaded

## Model Code Breakdown

AB3L N1 1/2 - 1 1 D B \_

**VALVE SERIES**

**PORT TYPE**

L	"Diverter" L-Port
---	-------------------

**CONNECTION TYPE/SIZE**

N	NPT Pipe Thread
---	-----------------

**BODY & ADAPTER MATERIAL**

1	Carbon Steel
---	--------------

**BALL & STEM MATERIAL**

1	Carbon Steel
---	--------------

**LOCKING KIT OR  
OPTIONAL HANDLE CODE**  
(See pages 42 & 43)

**ADAPTER & STEM SEALS**

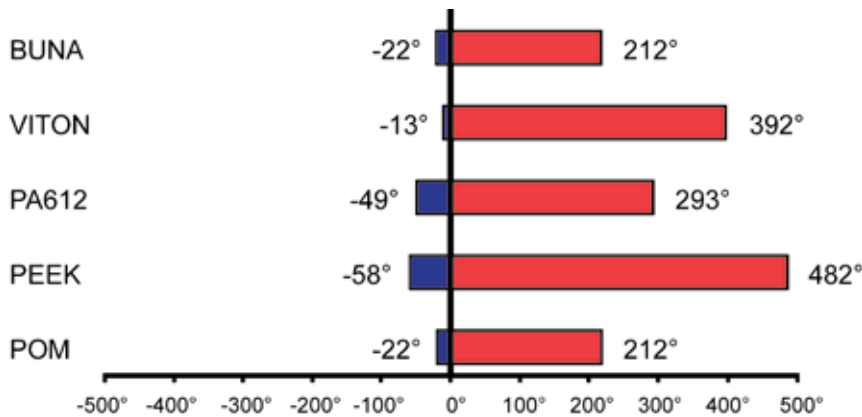
B	Buna- Standard
V	Viton

**BALL & STEM SEATS**

D	POM- Standard
P	PEEK

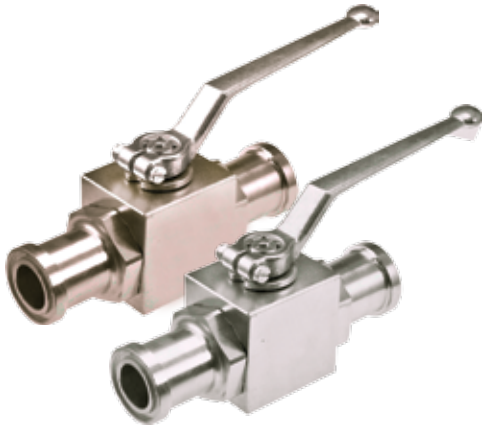
Please consult your system's seal manufacturer for recommendation of seal selection, as Anchor Fluid Power does not accept responsibility for seal selection.

**MAXIMUM & MINIMUM WORKING TEMPERATURES FOR SEAL MATERIALS**

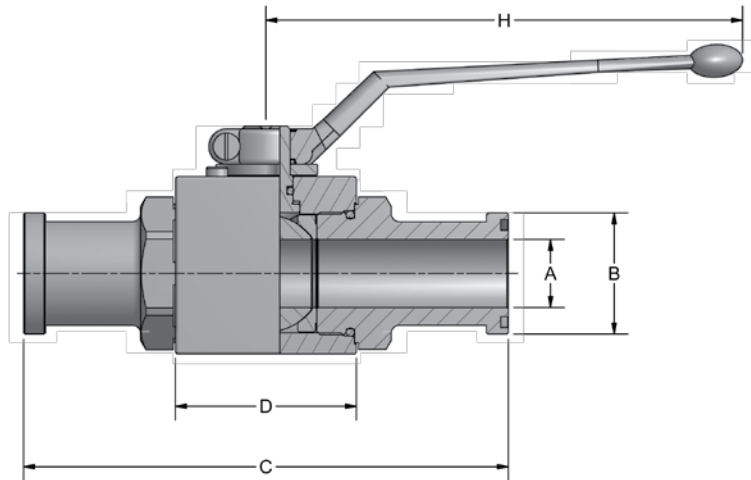
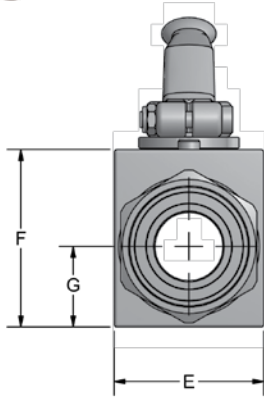


All temperatures are in degrees Fahrenheit.

# AES Series - Two-Way Block Body Flange Head



- Carbon Steel with Zinc Chromate Plating (RoHS Compliant)
- 316 stainless steel available from stock
- POM seats & Buna O-rings standard on carbon steel valves
- Optional seal materials available for extreme temperature applications & fluid compatibility (Consult Factory)



Standard handles supplied are:  
Refer to page 43 for details.

#8                      C1010ZB  
#12 & #16            C1200ZB

AES SERIES - CODE 61										
SERIES	PSI MAX	A BORE	B	C	D	E	F	G	H	WEIGHT
AES3#8	5000	.51	1.19	5.96	1.91	1.46	1.70	.71	4.33	2.1 LBS
AES3#12	5000	.79	1.50	6.38	2.46	1.77	2.17	.92	7.09	3.8 LBS
AES3#16	5000	.98	1.75	7.00	2.62	2.17	2.56	1.16	7.09	5.7 LBS

AES SERIES - CODE 62										
SERIES	PSI MAX	A BORE	B	C	D	E	F	G	H	WEIGHT
AES6#8	6000	.51	1.24	5.96	1.91	1.46	1.70	.71	4.33	2.1 LBS
AES6#12	6000	.79	1.63	6.85	2.46	1.77	2.17	.92	7.09	4.0 LBS
AES6#16	5000	.98	1.88	7.80	2.62	2.17	2.56	1.16	7.09	6.1 LBS





# AES Series - Two-Way Block Body Flange Head

## Model Code Breakdown

AES3 #16 - 1 1 D B \_

**VALVE SERIES**

AES3	Code 61
AES6	Code 62

**CONNECTION SIZE**

**BODY & ADAPTER MATERIAL**

1	Carbon Steel
2	316 Stainless Steel

**BALL & STEM MATERIAL**

1	Carbon Steel
2	316 Stainless Steel

**LOCKING KIT OR  
OPTIONAL HANDLE CODE**  
(See pages 42 & 43)

**ADAPTER & STEM SEALS**

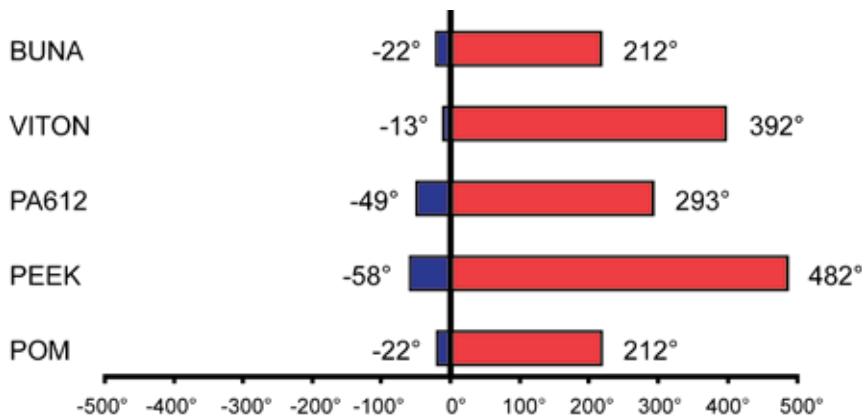
B	Buna- Standard
V	Viton (Std on S/S)

**BALL & STEM SEATS**

D	POM- Standard
P	PEEK

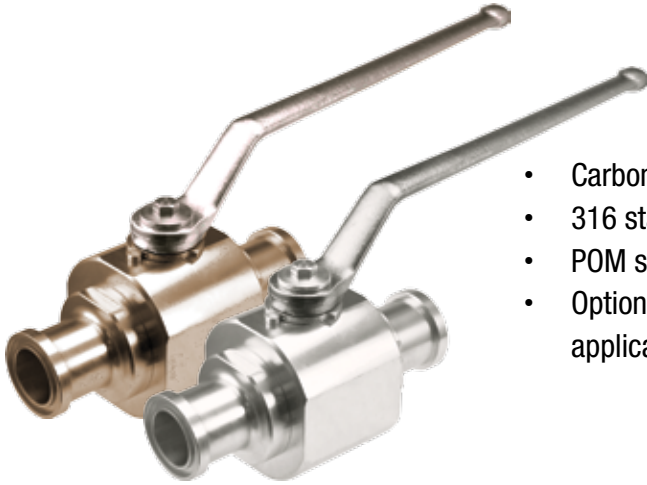
Please consult your system's seal manufacturer for recommendation of seal selection, as Anchor Fluid Power does not accept responsibility for seal selection.

### MAXIMUM & MINIMUM WORKING TEMPERATURES FOR SEAL MATERIALS

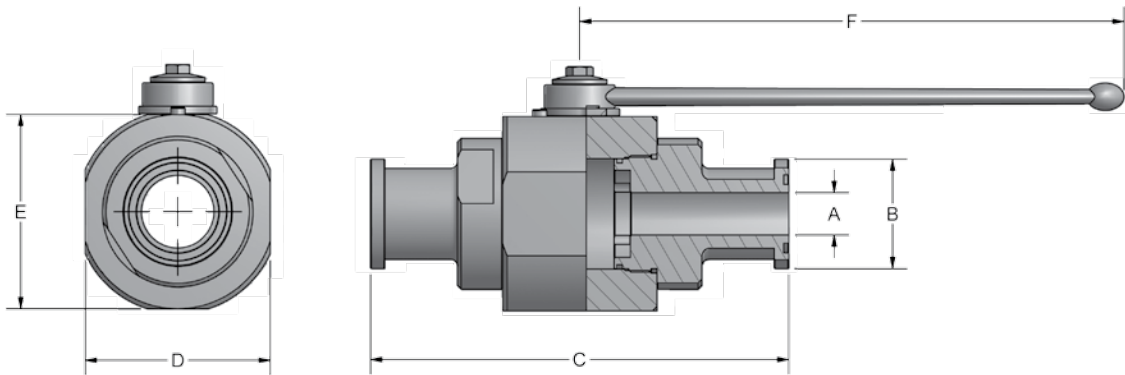


All temperatures are in degrees Fahrenheit.

# ABS Series - Two-Way Round Body Flange Head



- Carbon Steel with Zinc Chromate Plating (RoHS Compliant)
- 316 stainless steel available from stock
- POM seats & Buna O-rings standard on carbon steel valves
- Optional seal materials available for extreme temperature applications & fluid compatibility (Consult Factory)



Standard handle supplied is C92501Z-SW17. Refer to page 43 for details.

ABS SERIES - CODE 61								
SERIES	PSI MAX	A BORE	B	C	D	E	F	WEIGHT
ABS3#20	4000	1.26	2.00	7.50	3.46	3.66	11.81	12.0 LBS
ABS3#24	3000	1.57	2.37	9.08	4.02	4.21	11.81	18.2 LBS
ABS3#32	3000	1.89	2.81	9.13	4.65	4.49	11.81	21.7 LBS

ABS SERIES - CODE 62								
SERIES	PSI MAX	A BORE	B	C	D	E	F	WEIGHT
ABS6#20	5000	1.26	2.13	8.78	3.46	3.66	11.81	12.8 LBS
ABS6#24	5000	1.57	2.50	11.06	4.02	4.21	11.81	18.2 LBS
ABS6#32	5000	1.89	3.13	12.44	4.65	4.49	11.81	26.0 LBS



# ABS Series - Two-Way Round Body Flange Head

## Model Code Breakdown

ABS3 #32 - 1 1 D B \_

**VALVE SERIES**

ABS3	Code 61
ABS6	Code 62

**CONNECTION SIZE**

**BODY & ADAPTER MATERIAL**

1	Carbon Steel
2	316 Stainless Steel

**BALL & STEM MATERIAL**

1	Carbon Steel
2	316 Stainless Steel

**LOCKING KIT OR  
OPTIONAL HANDLE CODE**  
(See pages 42 & 43)

**ADAPTER & STEM SEALS**

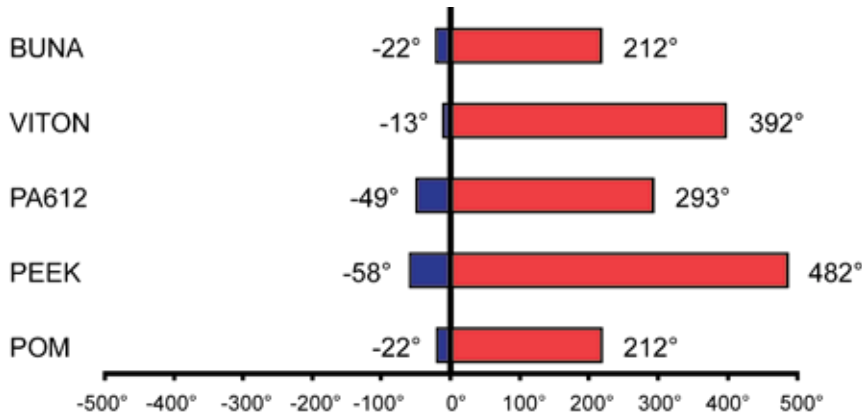
B	Buna- Standard
V	Viton (Std on S/S)

**BALL & STEM SEATS**

D	POM- Standard
P	PEEK

Please consult your system's seal manufacturer for recommendation of seal selection, as Anchor Fluid Power does not accept responsibility for seal selection.

### MAXIMUM & MINIMUM WORKING TEMPERATURES FOR SEAL MATERIALS

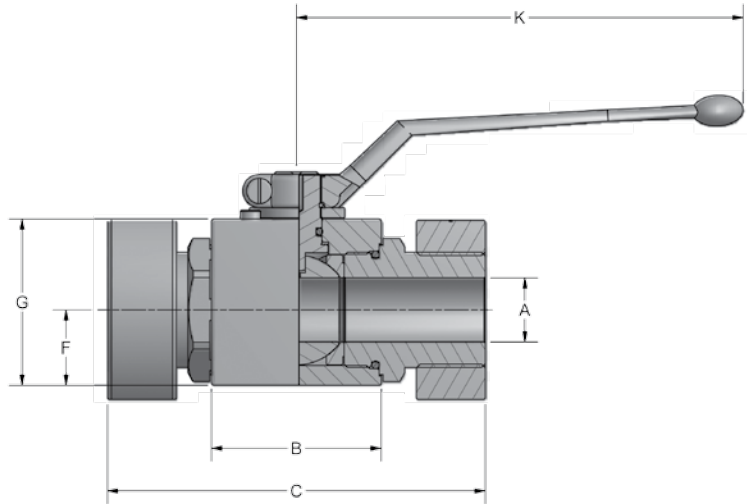
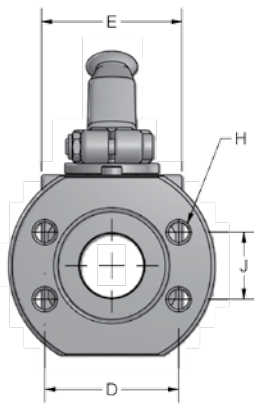


All temperatures are in degrees Fahrenheit.

# AEF Series - Two-Way Block Body Flat Face



- Carbon Steel with Zinc Chromate Plating (RoHS Compliant)
- 316 stainless steel available from stock
- POM seats & Buna O-rings standard on carbon steel valves
- Optional seal materials available for extreme temperature applications & fluid compatibility (Consult Factory)



Standard handles supplied are:  
Refer to page 43 for details.

- |           |         |
|-----------|---------|
| #8        | C1010ZB |
| #12 - #16 | C1200ZB |

AEF SERIES - CODE 61												
SERIES	PSI MAX	A BORE	B	C	D	E	F	G	H UNC-2B	J	K	WEIGHT
AEF3#8	5000	.51	1.91	4.72	1.50	1.46	.71	1.69	5/16-18	.69	4.33	3.3 LBS
AEF3#12	5000	.79	2.46	5.35	1.87	1.77	.92	2.17	3/8-16	.87	7.09	5.7 LBS
AEF3#16	5000	.98	2.62	5.83	2.06	2.17	1.16	2.56	3/8-16	1.03	7.09	8.6 LBS

AEF SERIES - CODE 62												
SERIES	PSI MAX	A BORE	B	C	D	E	F	G	H UNC-2B	J	K	WEIGHT
AEF6#8	6000	.51	1.91	4.72	1.59	1.46	.71	1.69	5/16-18	.72	4.33	3.3 LBS
AEF6#12	6000	.79	2.46	5.35	2.00	1.77	.92	2.17	3/8-16	.94	7.09	5.7 LBS
AEF6#16	5000	.98	2.62	5.83	2.25	2.17	1.16	2.56	7/16-14	1.09	7.09	8.6 LBS



# AEF Series - Two-Way Block Body Flat Face

## Model Code Breakdown

AEF3 #16 - 1 1 D B \_

**VALVE SERIES**

AEF3	Code 61
AEF6	Code 62

**CONNECTION SIZE**

**BODY & ADAPTER MATERIAL**

1	Carbon Steel
2	316 Stainless Steel

**BALL & STEM MATERIAL**

1	Carbon Steel
2	316 Stainless Steel

**LOCKING KIT OR  
OPTIONAL HANDLE CODE**  
(See pages 42 & 43)

**ADAPTER & STEM SEALS**

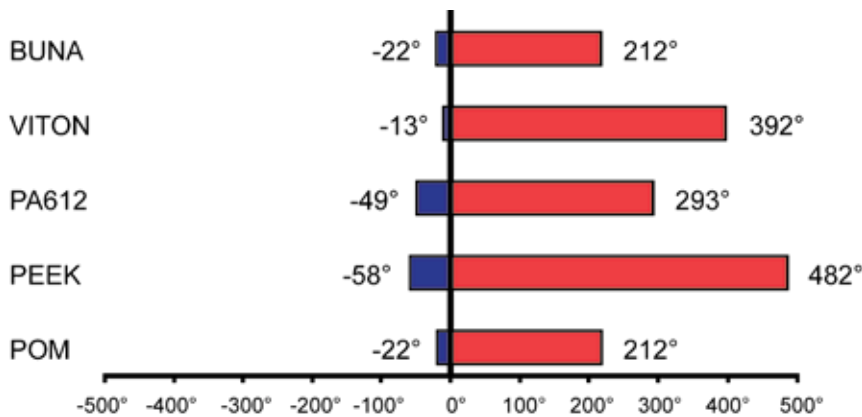
B	Buna- Standard
V	Viton (Std on S/S)

**BALL & STEM SEATS**

D	POM- Standard
P	PEEK

Please consult your system's seal manufacturer for recommendation of seal selection, as Anchor Fluid Power does not accept responsibility for seal selection.

### MAXIMUM & MINIMUM WORKING TEMPERATURES FOR SEAL MATERIALS

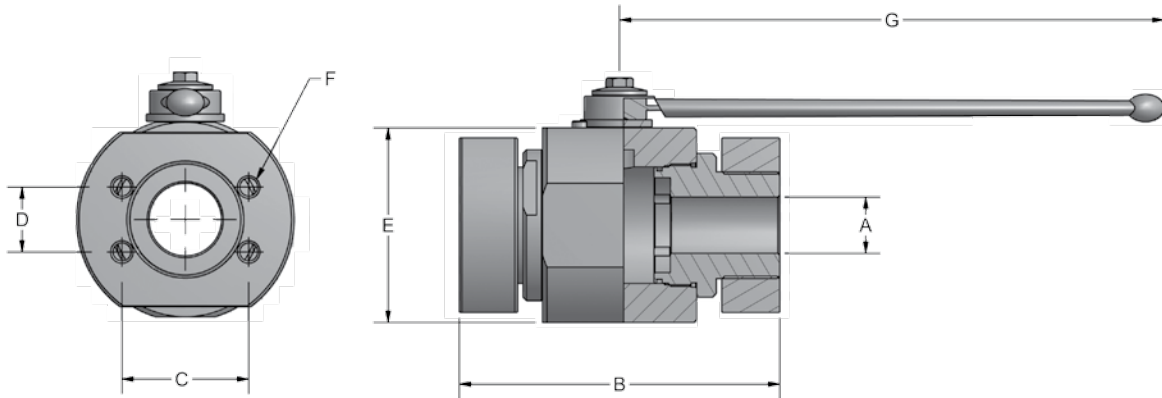


All temperatures are in degrees Fahrenheit.

# ABF Series - Two-Way Rounded Body Flat Face



- Carbon Steel with Zinc Chromate Plating (RoHS Compliant)
- 316 stainless steel available from stock
- POM seats & Buna O-rings standard on carbon steel valves
- Optional seal materials available for extreme temperature applications & fluid compatibility (Consult Factory)



Standard handle supplied is C92501Z-SW17. Refer to page 43 for details.

ABF SERIES - CODE 61									
SERIES	PSI MAX	A BORE	B	C	D	E	F UNC-2B	G	WEIGHT
ABF3#20	4000	1.26	6.77	2.31	1.19	3.66	7/16-14	11.81	17.9 LBS
ABF3#24	3000	1.57	6.95	2.75	1.41	4.21	1/2-13	11.81	24.6 LBS
ABF3#32	3000	1.89	7.72	3.06	1.69	4.49	1/2-13	11.81	33.8 LBS

ABF SERIES - CODE 62									
SERIES	PSI MAX	A BORE	B	C	D	E	F UNC-2B	G	WEIGHT
ABF6#20	5000	1.26	6.77	2.63	1.25	3.66	1/2-13	11.81	17.9 LBS
ABF6#24	5000	1.57	6.95	3.13	1.44	4.21	5/8-11	11.81	24.6 LBS
ABF6#32	5000	1.89	7.72	3.81	1.75	4.49	3/4-10	11.81	33.8 LBS



# ABF Series - Two-Way Rounded Body Flat Face

## Model Code Breakdown

ABF3 #32 - 1 1 D B \_

**VALVE SERIES**

ABF3	Code 61
ABF6	Code 62

**CONNECTION SIZE**

**BODY & ADAPTER MATERIAL**

1	Carbon Steel
2	316 Stainless Steel

**BALL & STEM MATERIAL**

1	Carbon Steel
2	316 Stainless Steel

**LOCKING KIT OR  
OPTIONAL HANDLE CODE**  
(See pages 42 & 43)

**ADAPTER & STEM SEALS**

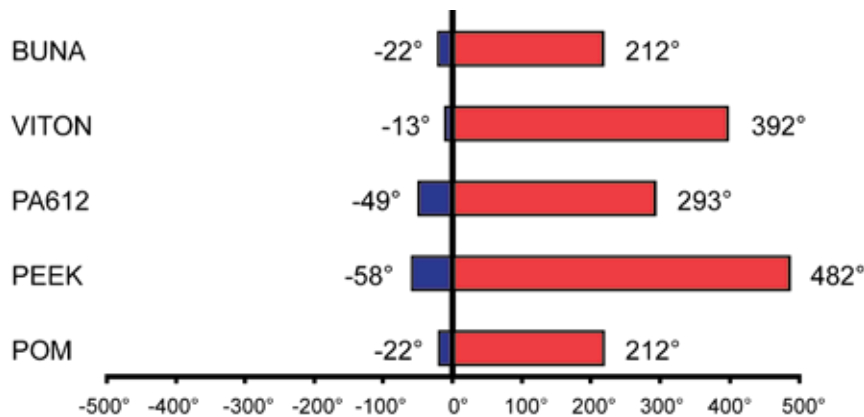
B	Buna- Standard
V	Viton (Std on S/S)

**BALL & STEM SEATS**

D	POM- Standard
P	PEEK

Please consult your system's seal manufacturer for recommendation of seal selection, as Anchor Fluid Power does not accept responsibility for seal selection.

### MAXIMUM & MINIMUM WORKING TEMPERATURES FOR SEAL MATERIALS



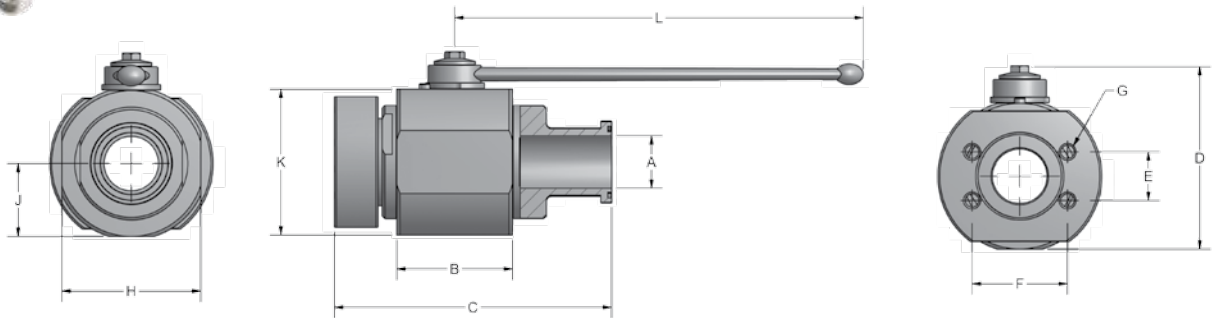
All temperatures are in degrees Fahrenheit.

# AES/F & ABS/F Series

## Flange Head X Flat-Face



- Flange Head X Flat-Face connections for insertion in between existing flange joints
- Ideal for flange mounting anywhere a flange connection exists or where hoses are already connected
- Carbon Steel with Zinc Chromate Plating (RoHS Compliant)
- 316 stainless steel available
- POM seats & Buna O-rings standard on carbon steel valves
- Optional seal materials available for extreme temperature applications & fluid compatibility (Consult Factory)



Standard handles supplied are: #8 C1010ZB  
 #12 - #16 C1200ZB  
 Refer to page 43 for details. #20 - #32 C92501Z-SW17

AES/F SERIES												
SERIES	PSI MAX	A BORE	B	C	D	E	F	G UNC-2B	H	J	K	L
AES/F3#8	5000	.51	1.91	5.3	2.24	.69	1.50	5/16-18	1.46	.71	1.69	4.33
AES/F6#8	6000	.51	1.91	5.3	2.24	.72	1.59	5/16-18	1.46	.71	1.69	4.33
AES/F3#12	5000	.79	2.46	5.8	2.89	.87	1.87	3/8-16	1.77	.92	2.17	7.09
AES/F6#12	6000	.79	2.46	6.1	2.89	.94	2.00	3/8-16	1.77	.92	2.17	7.09
AES/F3#16	5000	.98	2.62	6.4	3.29	1.03	2.06	3/8-16	2.17	1.16	2.56	7.09
AES/F6#16	5000	.98	2.62	6.8	3.29	1.09	2.25	7/16-14	2.17	1.16	2.56	7.09

ABS/F SERIES												
SERIES	PSI MAX	A BORE	B	C	D	E	F	G UNC-2B	H	J	K	L
ABS/F3#20	4000	1.26	2.96	7.2	4.39	1.19	2.31	7/16-14	2.36	1.83	3.66	11.81
ABS/F6#20	5000	1.26	2.96	7.8	4.39	1.25	2.63	1/2-13	2.36	1.83	3.66	11.81
ABS/F3#24	3000	1.57	3.36	8.0	4.94	1.41	2.75	1/2-13	2.95	2.11	4.21	11.81
ABS/F6#24	5000	1.57	3.36	9.0	4.94	1.44	3.13	5/8-11	2.95	2.11	4.21	11.81
ABS/F3#32	3000	1.97	3.86	8.4	5.22	1.69	3.06	1/2-13	3.35	2.24	4.49	11.81
ABS/F6#32	5000	1.97	3.86	9.5	5.22	1.75	3.81	3/4-10	3.35	2.24	4.49	11.81





# AES/F & ABS/F Series

## Flange Head X Flat-Face

### Model Code Breakdown

AES/F3 #8 - 1 1 D B \_

**VALVE SERIES**

AES/F3	Code 61 Block Body
AES/F6	Code 62 Block Body
ABS/F3	Code 61 Round Body
ABS/F6	Code 62 Round Body

**CONNECTION SIZE**

**BODY & ADAPTER MATERIAL**

1	Carbon Steel
2	316 Stainless Steel

**BALL & STEM MATERIAL**

1	Carbon Steel
2	316 Stainless Steel

**LOCKING KIT OR  
OPTIONAL HANDLE CODE**  
(See pages 42 & 43)

**ADAPTER & STEM SEALS**

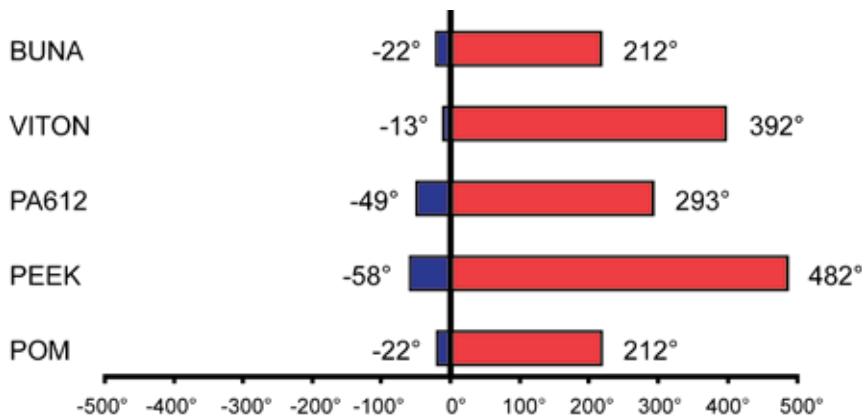
B	Buna- Standard
V	Viton (Std on S/S)

**BALL & STEM SEATS**

D	POM- Standard
P	PEEK

Please consult your system's seal manufacturer for recommendation of seal selection, as Anchor Fluid Power does not accept responsibility for seal selection.

**MAXIMUM & MINIMUM WORKING TEMPERATURES FOR SEAL MATERIALS**

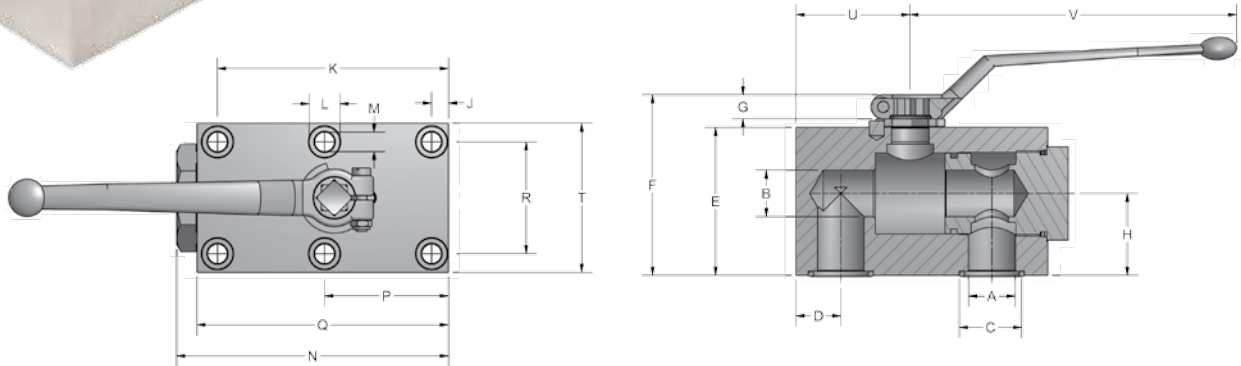


All temperatures are in degrees Fahrenheit.

# APK Series - Two-Way Manifold Mount



- Carbon Steel with Zinc Chromate Plating (RoHS Compliant)
- POM seats & Buna O-rings standard on carbon steel valves
- Optional seal materials available for extreme temperature applications & fluid compatibility (Consult Factory)



Standard handles supplied are: #4 - #8 C1010ZB  
 Refer to page 43 for details. #12 - #16 C1200ZB  
 #20 - #24 C92501Z

APK SERIES									
SERIES	PSI MAX	A	B	C	D	E	F	G	H
APK2 #4	7250	.24	.24	.464	.37	1.38	1.67	.30	.89
APK2 #6	7250	.39	.39	.586	.39	1.77	2.32	.43	.89
APK2 #8	5800	.51	.51	.980	.71	2.17	2.72	.43	1.18
APK2 #12	5075	.79	.79	1.141	.83	2.76	3.48	.55	1.52
APK2 #16	5075	.98	.98	1.374	.94	3.13	3.86	.55	1.73
APK2 #20	5075	1.26	1.26	1.562	1.10	4.15	4.88	.55	2.31
APK2 #24	5075	1.46	1.57	1.877	1.14	4.53	5.26	.55	2.41

APK SERIES (CONT'D)											
SERIES	J	K	L	M	N	P	Q	R	T	U	V
APK2 #4	.354	1.73	.413	.255	2.54	*N/A	2.28	1.062	1.57	1.04	4.33
APK2 #6	.295	2.46	.531	.334	3.13	*N/A	2.76	1.574	2.17	1.13	4.33
APK2 #8	.374	3.64	.531	.334	4.35	2.00	3.94	1.771	2.36	1.73	4.33
APK2 #12	.452	4.27	.649	.413	5.08	2.36	4.65	2.007	2.76	2.05	7.09
APK2 #16	.354	4.88	.649	.413	5.74	2.62	5.31	2.362	3.15	2.41	7.09
APK2 #20	.433	5.79	.748	.511	7.22	3.11	6.50	3.070	3.94	2.91	11.81
APK2 #24	1.141	5.55	.984	.649	7.93	3.35	7.28	3.740	5.12	3.35	11.81

\*Valve sizes #4 & #6 only have (4) mounting holes.



# APK Series - Two-Way Manifold Mount

## Model Code Breakdown

**APK2 #20 - 1 1 D B**

**VALVE SERIES**

APK2	Manifold Mount 2-way
------	----------------------

**CONNECTION SIZE**

20	1
----	---

**BODY & ADAPTER MATERIAL**

1	Carbon Steel
---	--------------

**BALL & STEM MATERIAL**

1	Carbon Steel
---	--------------

**ADAPTER & STEM SEALS**

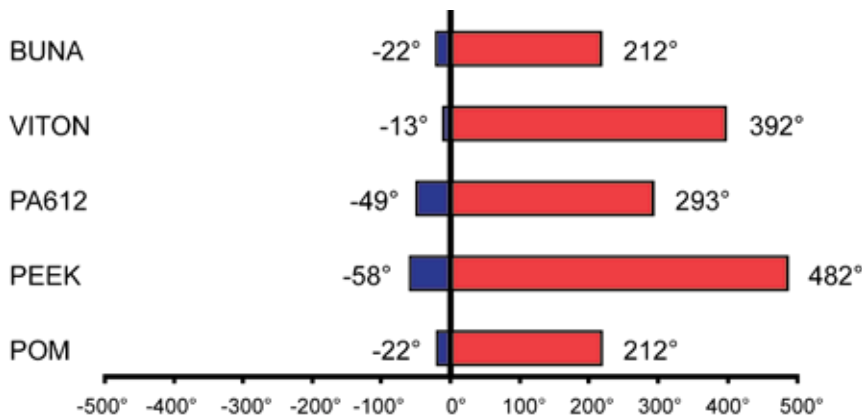
B	Buna- Standard
V	Viton

**BALL & STEM SEATS**

D	POM- Standard
P	PEEK

Please consult your system's seal manufacturer for recommendation of seal selection, as Anchor Fluid Power does not accept responsibility for seal selection.

**MAXIMUM & MINIMUM WORKING TEMPERATURES FOR SEAL MATERIALS**



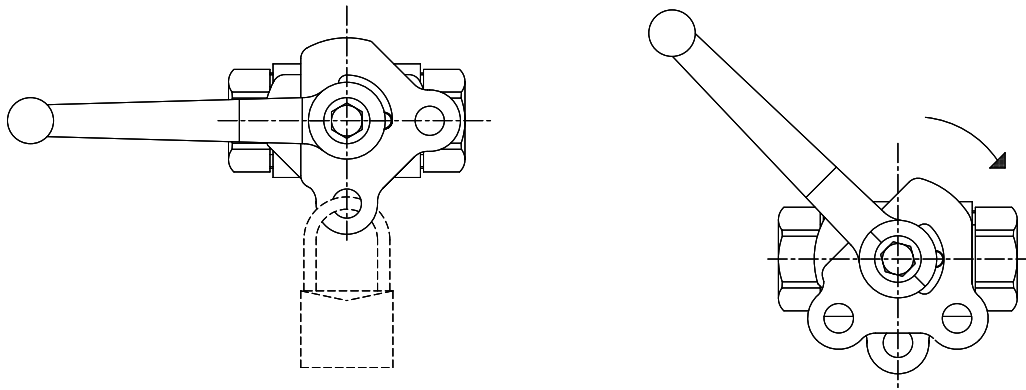
All temperatures are in degrees Fahrenheit.

## Locking Kits

LOCKING KITS AVAILABLE FROM STOCK			
PART NUMBER	VALVE SIZE	MATERIAL	SUFFIX*
LK6	1/8" - 1/2"	CARBON STEEL	L
LK20	3/4" - 1"	CARBON STEEL	L
LK32	1 1/4" - 2"	CARBON STEEL	L
LK6-S/S	1/8" - 1/2"	STAINLESS STEEL	L
LK20-S/S	3/4" - 1"	STAINLESS STEEL	L
LK32-S/S	1 1/4" - 2"	STAINLESS STEEL	L

\*Add this suffix to the end of the valve part # to receive the corresponding locking kit for that size valve- installed at the factory. Carbon steel valves receive carbon steel locking kits. Stainless steel valves receive stainless locking kits.

### "L" Style Lock



Consult factory for details concerning tamper proof fastener options.



# Handles

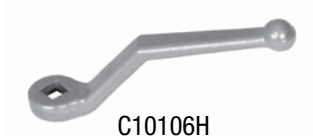
## HANDLES FOR 1/8" THROUGH 1/2" VALVES



C0020ZB  
Zinc Alloy  
Fits 1/8" - 1/2" Valves  
5 - 7/8" Long  
Code "A"



C1010ZB  
Zinc Alloy  
Fits 1/8" - 1/2" Valves  
4 - 1/4" Long



C10106H  
Stainless Steel  
Fits 1/8" - 1/2" Valves  
4 - 1/4" Long  
Code "C"

## HANDLES FOR 3/4" THROUGH 1" VALVES



C1200ZB  
Zinc Alloy  
Fits 3/4" - 1" Valves  
7" Long  
Code "Z"



C69206H  
Stainless Steel  
Fits 3/4" - 1" Valves  
7 - 7/8" Long  
Code "W"



C2950AV  
Aluminum  
Fits 3/4" - 1" Valves  
8" Long  
Code "Y"

## HANDLES FOR 1 1/4" THROUGH 2" VALVES



C81306H-SW17  
Stainless Steel  
Fits 1 1/4" - 2" Valves  
11 - 3/4" Long  
Code "F"



C81302B-SW17  
Carbon Steel  
Fits 1 1/4" - 2" Valves  
11 - 3/4" Long  
Code "E"



C92506H-SW17  
Stainless Steel  
Fits 1 1/4" - 2" Valves  
12 - 1/8" Long  
Code "J"



C92501Z-SW17  
Carbon Steel  
Fits 1 1/4" - 2" Valves  
12 - 1/8" Long  
Code "H"

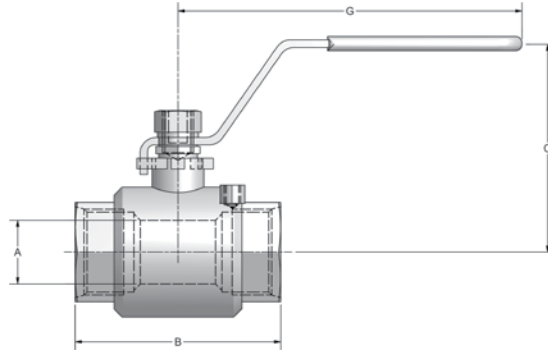
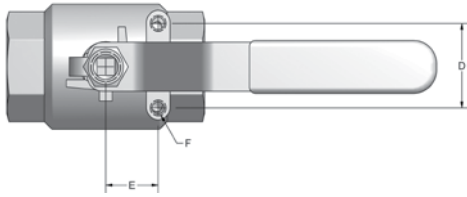
Dimensions are approximate and are subject to change without notice. For exact dimensional info, please consult the factory with the specific handle part #.

# HYDRAULIC BALL VALVES

## LV2B Series - 1000 WOG Stainless Steel



- All stainless steel construction
- Locking handles standard
- Ideal for suction, pressure and return lines
- Available in NPT & SAE threads
- Mounting holes standard on SAE #16 - #64



LV2B SERIES - NPT							
SIZE	A	B	C	D	E	F UNC	G
1/4"	.36	2.13	2.13	1.12	.49	N/A	4.33
3/8"	.50	2.13	2.17	1.12	.49	N/A	4.33
1/2"	.59	2.24	2.28	1.12	.49	N/A	4.53
3/4"	.79	2.68	2.40	1.12	.49	N/A	4.53
1"	.98	3.15	3.03	1.38	.91	N/A	5.04
1-1/4"	1.26	3.58	3.19	1.48	1.00	N/A	5.04
1-1/2"	1.50	4.06	3.54	1.48	1.00	N/A	6.10
2"	1.97	4.88	4.25	1.50	1.00	N/A	6.10
2-1/2"	2.56	6.30	5.20	N/A	N/A	N/A	9.06
3"	3.15	7.28	5.71	N/A	N/A	N/A	9.06

LV2B SERIES - SAE							
SIZE	A	B	C	D	E	F UNC	G
1/4"	.35	2.40	2.13	1.12	.49	N/A	4.33
3/8"	.47	2.40	2.17	1.12	.49	N/A	4.33
1/2"	.59	2.52	2.28	1.12	.49	N/A	4.53
3/4"	.79	3.23	2.40	1.12	.49	N/A	4.53
1"	.98	3.62	3.03	1.38	.91	1/4-20	5.04
1-1/4"	1.26	3.96	3.19	1.48	1.00	1/4-20	5.04
1-1/2"	1.50	4.23	3.54	1.48	1.00	1/4-20	6.10
2"	1.97	4.90	4.25	1.50	1.00	1/4-20	6.10
2 1/2"	2.56	6.30	5.20	2.25	1.18	1/4-20	9.06
3"	3.15	7.28	5.71	2.76	1.18	1/4-20	9.06
*4"	3.93	8.80	7.11	2.76	1.18	1/4-20	13.00

MODEL CODE:

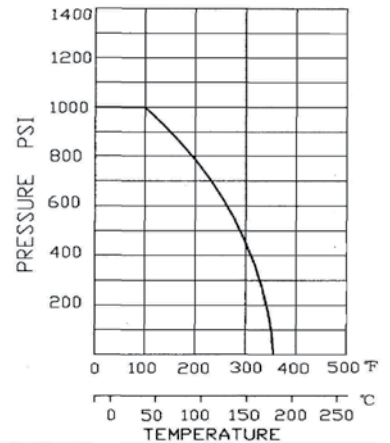
LV2B N 1/2" -2T

THREAD TYPE (N-NPT; S-SAE)

THREAD SIZE (EX. N1/2"; S#8)

COMPONENT MATERIALS		
COMPONENT	MATERIAL	QTY
VALVE BODY	ASTM A351 GR CF8M	1
TAILPIECE	ASTM A351 GR CF8M	1
BALL	ASTM A351 GR CF8M	1
STEM	316	1
BALL SEAT	PTFE	2
STEM SEAT	PTFE	1
STEM PACKING	PTFE	1
STEM GLAND	304	1
HANDLE	304	1
STEM LOCK WASHER	304	1
STEM NUT	304	1
HANDLE SLEEVE	VINYL	1
LOCK	304	1

PRESSURE-TEMPERATURE RATING



\* 4"SAE - 500 PSI max for LV2BS#64-2T-MH

\*\* For WOG Accessories refer to pages 67



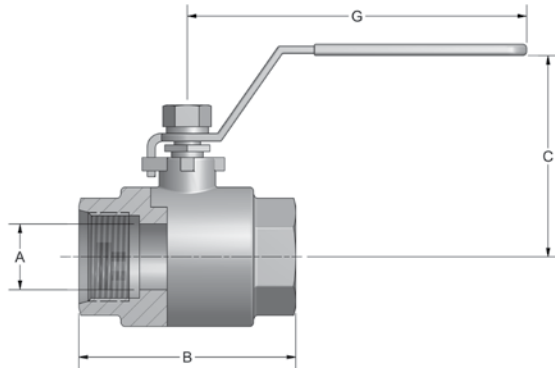
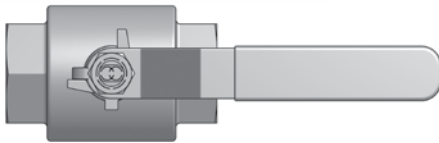
866-FLANGES | 513.527.4444 | Fax 513.527.4449

sales@anchorfluidpower.com | anchorfluidpower.com

**MV2B Series - 2000 WOG Stainless Steel**



- All stainless steel construction
- Locking handles standard
- Ideal for suction, pressure and return lines
- Available in NPT & SAE threads



MV2B SERIES - NPT				
SIZE	A	B	C	G
1/4"	.36	2.13	2.13	4.33
3/8"	.50	2.13	2.17	4.33
1/2"	.59	2.24	2.28	4.53
3/4"	.79	2.76	2.40	4.53
1"	.98	3.25	3.03	5.04
1-1/4"	1.26	3.58	3.19	5.04
1-1/2"	1.50	4.06	3.54	6.10
2"	1.97	4.90	4.25	6.10

MV2B SERIES - SAE				
SIZE	A	B	C	G
1/4"	.35	2.40	2.13	4.33
3/8"	.47	2.40	2.17	4.33
1/2"	.59	2.52	2.28	4.53
3/4"	.79	3.23	2.40	4.53
1"	.98	3.62	3.03	5.04
1-1/4"	1.26	3.96	3.19	5.04
1-1/2"	1.50	4.23	3.54	6.10
2"	1.97	4.90	4.25	6.10

**MODEL CODE:**

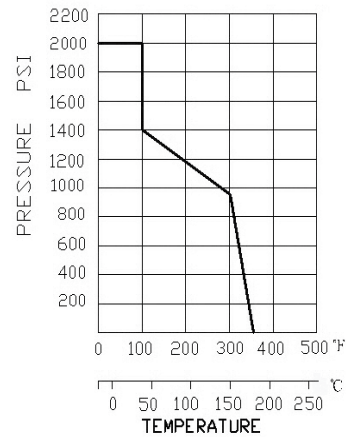
**MV2B N 1/2" -2T**

**THREAD TYPE (N-NPT; S-SAE)**

**THREAD SIZE (EX. N1/2"; S#8)**

COMPONENT MATERIALS		
COMPONENT	MATERIAL	QTY
VALVE BODY	ASTM A351 GR CF8M	1
TAILPIECE	ASTM A351 GR CF8M	1
BALL	ASTM A351 GR CF8M	1
STEM	316	1
BALL SEAT	PTFE	2
STEM SEAT	PTFE	1
STEM PACKING	PTFE	1
STEM GLAND	304	1
HANDLE	304	1
STEM LOCK WASHER	304	1
STEM NUT	304	1
HANDLE SLEEVE	VINYL	1
LOCK	304	1

PRESSURE-TEMPERATURE RATING









# WELD COUPLINGS



866-FLANGES | 513.527.4444 | Fax 513.527.4449  
sales@anchorfluidpower.com | anchorfluidpower.com

<b>SAE Full Couplings</b>	<b>50</b>
<b>SAE Half Couplings</b>	<b>51</b>
<b>NPTF Full Couplings</b>	<b>52</b>
<b>NPTF Half Couplings</b>	<b>53</b>
<b>BSPP Full Couplings</b>	<b>54</b>
<b>BSPP Half Couplings</b>	<b>55</b>
<b>ISO 6149 Metric Couplings</b>	<b>56</b>
<b>Socket Weld Couplings</b>	<b>57</b>
<b>90 Degree Wed Couplings</b>	<b>58</b>

**FLOW NEEDLE  
& CHECK VALVES**

**HYDRAULIC  
BALL VALVES**

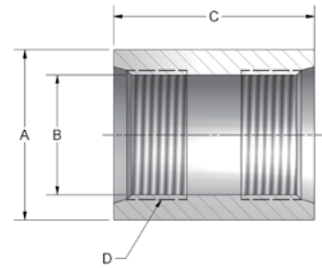
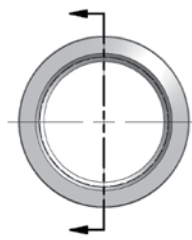
**WELD  
COUPLINGS**

**HPU SUCTION &  
RETURN CONNECTIONS**

**FLANGES  
CARBON STEEL**

**FLANGES  
STAINLESS STEEL**

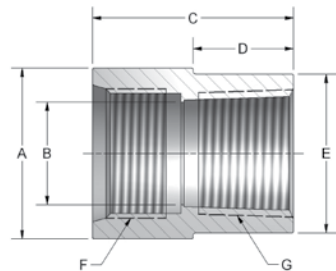
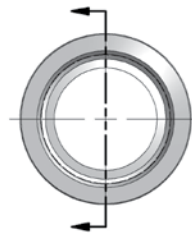
# SAE Full Couplings



- AISI1020 Carbon Steel
- 316L Stainless Steel
- Includes individual thread identification marking
- Additional thread sizes and configurations available

SAE TO SAE FULL COUPLING					
CARBON STEEL PART NO.	STAINLESS STEEL PART NO.	A	B	C	D SAE UN-2B
830-4	830-4-SS	0.88	0.39	1.16	*7/16-20
830-6	830-6-SS	1.00	.509	1.25	*9/16-18
830-8	830-8-SS	1.25	.689	1.63	*3/4-16
830-10	830-10-SS	1.38	.806	1.50	*7/8-14
830-12	830-12-SS	1.50	.981	2.06	1 1/16-12
830-14	830-14-SS	1.63	1.106	2.00	1 3/16-12
830-16	830-16-SS	1.75	1.231	2.06	1 5/8-12
830-20	830-20-SS	2.25	1.544	2.06	1 5/8-12
830-24	830-24-SS	2.75	1.794	2.20	1 7/8-12
830-32	830-32-SS	3.25	2.419	2.50	2 1/2-12
830-40	830-40-SS	3.75	2.92	3.00	3-12
830-48	830-48-SS	4.40	3.42	3.00	3 1/2-12
830-64	830-64-SS	5.25	4.42	3.25	4 1/2-12

\*UNF-2B



- AISI1020 Carbon Steel
- 316L Stainless Steel
- Includes individual thread identification marking
- Additional thread sizes and configurations available

SAE TO NPTF FULL COUPLING								
CARBON STEEL PART NO.	STAINLESS STEEL PART NO.	A	B	C	D	E	F SAE UN-2B	G NPTF
825-4	825-4-SS	1.00	.389	1.27	.64	.875	*7/16-20	1/4-18
825-6	825-6-SS	1.13	.508	1.50	.75	1.000	*9/16-18	3/8-18
825-8	825-8-SS	1.25	.650	1.63	.82	1.125	*3/4-16	1/2-14
825-10-12	825-10-12-SS	1.50	.806	1.75	.88	1.375	*7/8-14	3/4-14
825-12	825-12-SS	1.50	.850	2.06	1.03	1.375	1 1/16-12	3/4-14
825-14-16	825-14-16-SS	1.75	1.050	2.15	1.08	1.625	1 3/16-12	1-11.5
825-16	825-16-SS	1.75	1.050	2.06	1.03	1.625	1 5/16-12	1-11.5
825-20	825-20-SS	2.25	1.420	2.06	1.03	2.125	1 5/8-12	1 1/4-11.5
825-24	825-24-SS	2.75	1.650	2.20	1.10	2.500	1 7/8-12	1 1/2-11.5
825-32	825-32-SS	3.25	2.125	2.50	1.25	3.000	2 1/2-12	2-11.5
825-40	825-40-SS	3.75	2.38	3.00	1.50	3.50	3-2	2 1/2-8
825-48	825-48-SS	4.40	3.00	3.00	1.50	4.00	3 1/2-12	3-8
825-64	825-64-SS	5.25	4.00	3.25	1.63	5.00	4 1/2-12	4-8

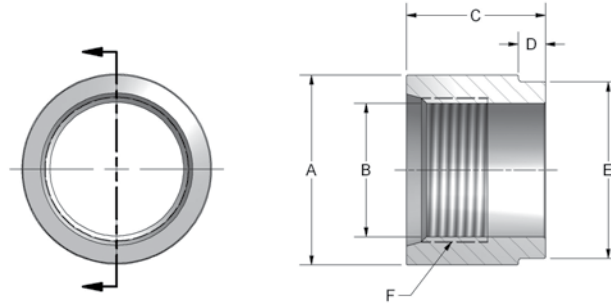
\*UNF-2B



866-FLANGES | 513.527.4444 | Fax 513.527.4449

sales@anchorfluidpower.com | anchorfluidpower.com

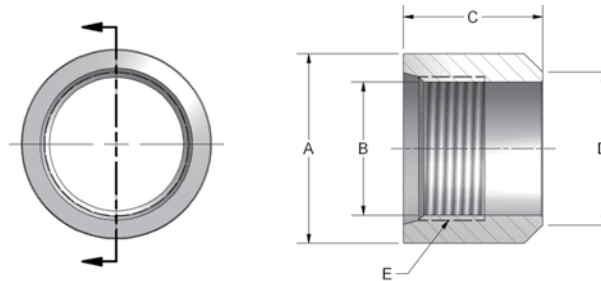
# SAE Half Couplings



- AISI1020 Carbon Steel
- 316L Stainless Steel
- Includes individual thread identification marking
- Additional thread sizes and configurations available

SAE HALF COUPLING							
CARBON STEEL PART NO.	STAINLESS STEEL PART NO.	A	B	C	D	E	F SAE UN-2B
835-4	835-4-SS	.88	.389	1.00	.250	.750	*7/16-20
835-6	835-6-SS	1.00	.509	1.00	.250	.875	*9/16-18
835-8	835-8-SS	1.25	.689	1.06	.250	1.125	*3/4-16
835-10	835-10-SS	1.38	.806	1.06	.250	1.250	*7/8-14
835-12	835-12-SS	1.50	.981	1.28	.250	1.375	1 1/16-12
835-14	835-14-SS	1.63	1.106	1.25	.250	1.500	1 3/16-12
835-16	835-16-SS	1.75	1.231	1.28	.250	1.625	1 5/16-12
835-20	835-20-SS	2.25	1.544	1.28	.250	2.125	1 5/8-12
835-24	835-24-SS	2.75	1.794	1.28	.250	2.500	1 7/8-12
835-32	835-32-SS	3.25	2.419	1.50	.250	3.000	2 1/2-12
835-40	835-40-SS	3.75	2.92	2.00	.250	3.500	3-12
835-48	835-48-SS	4.40	3.42	2.25	.250	4.000	3 1/2-12
835-64	835-64-SS	5.25	4.42	2.25	.250	5.000	4 1/2-12

\*UNF-2B

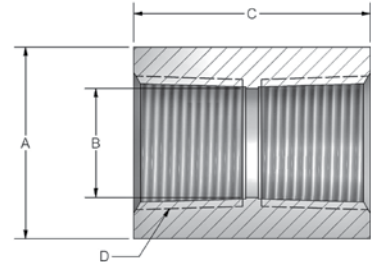
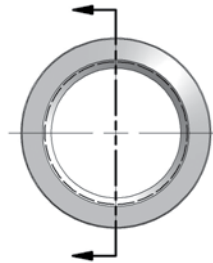


- AISI1020 Carbon Steel
- 316L Stainless Steel
- Includes individual thread identification marking
- Additional thread sizes and configurations available

SAE HALF COUPLING BEVEL						
CARBON STEEL PART NO.	STAINLESS STEEL PART NO.	A	B	C	D	E SAE UN-2B
835B-4	835B-4-SS	.88	.389	1.00	.570	*7/16-20
835B-6	835B-6-SS	1.00	.509	1.00	.690	*9/16-18
835B-8	835B-8-SS	1.25	.689	1.06	.870	*3/4-16
835B-10	835B-10-SS	1.38	.806	1.06	.990	*7/8-14
835B-12	835B-12-SS	1.50	.981	1.28	1.160	1 1/16-12
835B-14	835B-14-SS	1.63	1.106	1.25	1.290	1 3/16-12
835B-16	835B-16-SS	1.75	1.231	1.28	1.410	1 5/16-12
835B-20	835B-20-SS	2.25	1.544	1.28	1.720	1 5/8-12
835B-24	835B-24-SS	2.75	1.794	1.28	1.980	1 7/8-12
835B-32	835B-32-SS	3.25	2.419	1.50	2.600	2 1/2-12
835B-40	835B-40-SS	3.75	2.92	2.00	3.000	3-12
835B-48	835B-48-SS	4.40	3.42	2.25	3.500	3 1/2-12
835B-64	835B-64-SS	5.25	4.42	2.25	4.500	4 1/2-12

\*UNF-2B

# NPTF Full Couplings

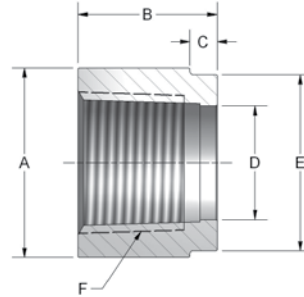
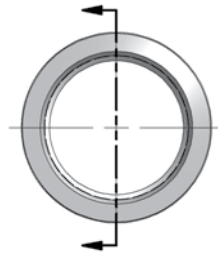


- AISI1020 Carbon Steel
- 316L Stainless Steel
- Includes individual thread identification marking
- Additional thread sizes and configurations available

NPTF TO NPTF FULL COUPLING					
CARBON STEEL PART NO.	STAINLESS STEEL PART NO.	A	B	C	D NPTF
865-4	865-4-SS	.88	.391	1.25	1/4-18
865-6	865-6-SS	1.00	.520	1.50	3/8-18
865-8	865-8-SS	1.25	.650	1.85	1/2-14
865-12	865-12-SS	1.50	.850	1.85	3/4-14
865-16	865-16-SS	1.75	1.050	2.35	1-11.5
865-20	865-20-SS	2.25	1.420	2.35	1 1/4-11.5
865-24	865-24-SS	2.75	1.560	2.35	1 1/2-11.5
865-32	865-32-SS	3.25	2.125	2.35	2-11.5

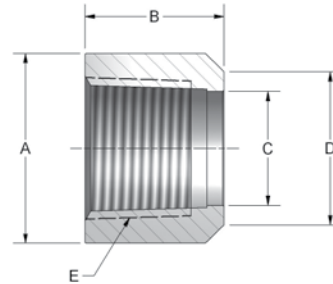
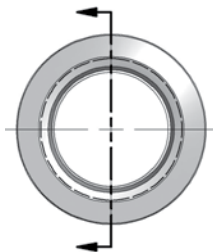


# NPTF Half Couplings



- AISI1020 Carbon Steel
- 316L Stainless Steel
- Includes individual thread identification marking
- Additional thread sizes and configurations available

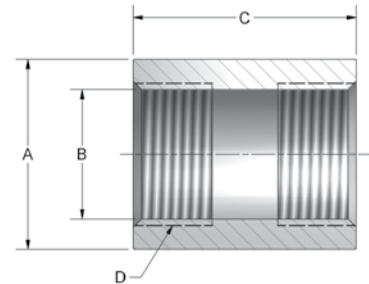
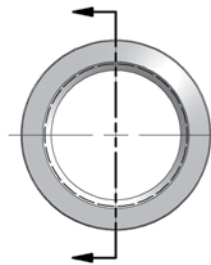
NPTF HALF COUPLING							
CARBON STEEL PART NO.	STAINLESS STEEL PART NO.	A	B	C	D	E	F NPTF
845-4	845-4-SS	.88	1.06	.250	.391	.750	1/4-18
845-6	845-6-SS	1.00	1.00	.250	.563	.875	3/8-18
845-8	845-8-SS	1.25	1.06	.250	.650	1.125	1/2-14
845-12	845-12-SS	1.50	1.28	.250	.850	1.375	3/4-14
845-16	845-16-SS	1.75	1.28	.250	1.050	1.625	1-11.5
845-20	845-20-SS	2.25	1.28	.250	1.420	2.125	1 1/4-11.5
845-24	845-24-SS	2.75	1.28	.250	1.560	2.500	1 1/2-11.5
845-32	845-32-SS	3.25	1.50	.250	2.125	3.000	2-11.5
845-40	845-40-SS	3.75	2.00	.250	2.500	3.500	2 1/2-8
845-48	845-48-SS	4.25	2.25	.250	3.000	4.000	3-8
845-64	845-64-SS	5.25	2.25	.250	4.000	5.000	4-8



- AISI1020 Carbon Steel
- 316L Stainless Steel
- Includes individual thread identification marking
- Additional thread sizes and configurations available

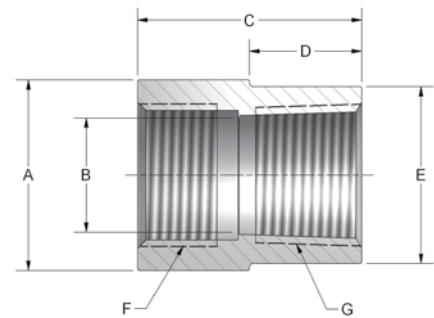
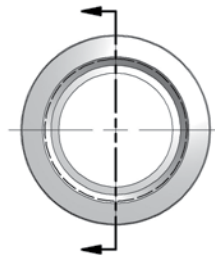
NPTF HALF COUPLING BEVEL						
CARBON STEEL PART NO.	STAINLESS STEEL PART NO.	A	B	C	D	E NPTF
845B-4	845B-4-SS	.88	1.06	.391	.570	1/4-18
845B-6	845B-6-SS	1.00	1.00	.520	.690	3/8-18
845B-8	845B-8-SS	1.25	1.06	.650	.870	1/2-14
845B-12	845B-12-SS	1.50	1.28	.850	1.160	3/4-14
845B-16	845B-16-SS	1.75	1.28	1.050	1.410	1-11.5
845B-20	845B-20-SS	2.25	1.28	1.420	1.720	1 1/4-11.5
845B-24	845B-24-SS	2.75	1.28	1.560	1.980	1 1/2-11.5
845B-32	845B-32-SS	3.25	1.50	2.125	2.600	2-11.5
845B-40	845B-40-SS	3.75	2.00	2.500	3.100	2 1/2-8
845B-48	845B-48-SS	4.40	2.25	3.000	3.600	3-8
845B-64	845B-64-SS	5.25	2.25	4.000	4.450	4-8

# BSPP Full Couplings



- AISI1020 Carbon Steel
- 316L Stainless Steel
- Includes individual thread identification marking
- Additional thread sizes and configurations available

BSPP TO BSPP FULL COUPLING					
CARBON STEEL PART NO.	STAINLESS STEEL PART NO.	A	B	C	D BSPP
850-4	850-4-SS	.88	.451	1.25	1/4-19
850-6	850-6-SS	1.00	.589	1.25	3/8-19
850-8	850-8-SS	1.25	.734	1.63	1/2-14
850-12	850-12-SS	1.50	.949	2.06	3/4-14
850-16	850-16-SS	1.75	1.193	2.06	1-11
850-20	850-20-SS	2.25	1.534	2.06	1 1/4-11
850-24	850-24-SS	2.75	1.766	2.20	1 1/2-11
850-32	850-32-SS	3.25	2.231	2.50	2-11



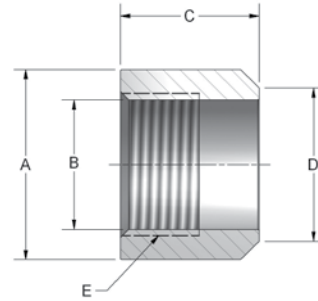
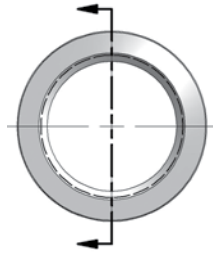
- AISI1020 Carbon Steel
- 316L Stainless Steel
- Includes individual thread identification marking
- Additional thread sizes and configurations available

BSPP TO NPTF FULL COUPLING								
CARBON STEEL PART NO.	STAINLESS STEEL PART NO.	A	B	C	D	E	F BSPP	G NPTF
860-4	860-4-SS	1.00	.408	1.27	.64	.875	1/4-19	1/4-18
860-6	860-6-SS	1.13	.507	1.50	.75	1.000	3/8-19	3/8-18
860-8	860-8-SS	1.25	.650	1.63	.82	1.125	1/2-14	1/2-14
860-12	860-12-SS	1.50	.850	2.06	1.03	1.375	3/4-14	3/4-14
860-16	860-16-SS	1.75	1.000	2.06	1.03	1.625	1-11	1-11.5
860-20	860-20-SS	2.25	1.450	2.06	1.03	2.125	1 1/4-11	1 1/4-11.5
860-24	860-24-SS	2.75	1.681	2.20	1.10	2.500	1 1/2-11	1 1/2-11.5
860-32	860-32-SS	3.25	2.125	2.50	1.25	3.000	2-11	2-11.5





# BSPP Half Couplings



- AISI1020 Carbon Steel
- 316L Stainless Steel
- Includes individual thread identification marking
- Additional thread sizes and configurations available

BSPP HALF COUPLING BEVEL						
CARBON STEEL PART NO.	STAINLESS STEEL PART NO.	A	B	C	D	E BSPP
855B-4	855B-4-SS	.88	.451	1.00	.570	1/4-19
855B-6	855B-6-SS	1.00	.589	1.00	.690	3/8-19
855B-8	855B-8-SS	1.25	.734	1.06	.870	1/2-14
855B-12	855B-12-SS	1.50	.949	1.28	1.160	3/4-14
855B-16	855B-16-SS	1.75	1.193	1.28	1.410	1-11
855B-20	855B-20-SS	2.25	1.534	1.28	1.720	1 1/4-11
855B-24	855B-24-SS	2.75	1.766	1.28	1.980	1 1/2-11
855B-32	855B-32-SS	3.25	2.231	1.50	2.600	2-11

FLOW NEEDLE  
& CHECK VALVES

HYDRAULIC  
BALL VALVES

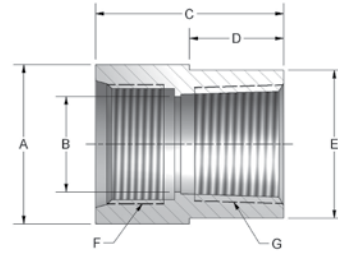
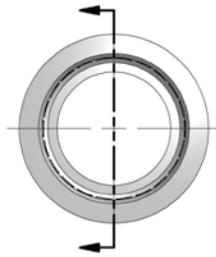
WELD  
COUPLINGS

HPU SUCTION &  
RETURN CONNECTIONS

FLANGES  
CARBON STEEL

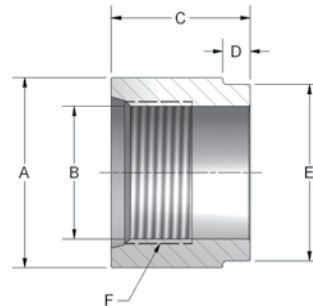
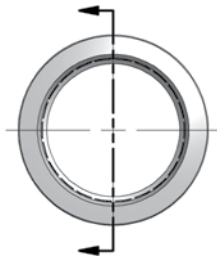
FLANGES  
STAINLESS STEEL

# ISO 6149 Metric Couplings



- AISI1020 Carbon Steel
- 316L Stainless Steel
- Includes individual thread identification marking
- Additional thread sizes and configurations available

ISO 6149 TO NPTF FULL COUPLING								
CARBON STEEL PART NO.	STAINLESS STEEL PART NO.	A	B	C	D	E	F ISO 6149 METRIC	G NPTF
885-M27-12	885-M27-12-SS	1.50	.850	2.06	1.03	1.375	M27 X 2	3/4-14
885-M33-16	885-M33-16-SS	1.75	1.050	2.06	1.03	1.625	M33 X 2	1-11.5
885-M42-20	885-M42-20-SS	2.25	1.420	2.06	1.03	2.125	M42 X 2	1 1/4-11.5
885-M48-24	885-M48-24-SS	2.75	1.650	2.20	1.10	2.500	M48 X 2	1 1/2-11.5
885-M60-32	885-M60-32-SS	3.25	2.125	2.50	1.25	3.000	M60 X 2	2-11.5

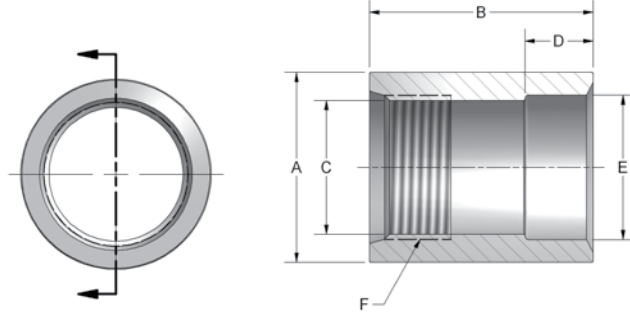


- AISI1020 Carbon Steel
- 316L Stainless Steel
- Includes individual thread identification marking
- Additional thread sizes and configurations available

ISO 6149 HALF COUPLING							
CARBON STEEL PART NO.	STAINLESS STEEL PART NO.	A	B	C	D	E	F ISO 6149 METRIC
880-M27	880-M27-SS	1.50	.981	1.28	.250	1.375	M27 X 2
880-M33	880-M33-SS	1.75	1.231	1.28	.250	1.625	M33 X 2
880-M42	880-M42-SS	2.25	1.544	1.28	.250	2.125	M42 X 2
880-M48	880-M48-SS	2.75	1.794	1.28	.250	2.500	M48 X 2
880-M60	880-M60-SS	3.25	2.419	1.50	.250	3.000	M60 X 2



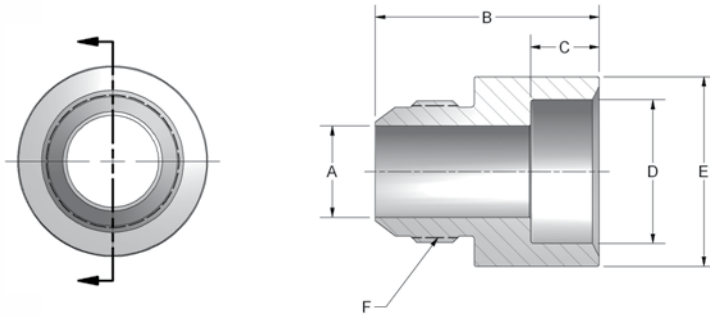
# Socket Weld Couplings



- AISI1020 Carbon Steel
- 316L Stainless Steel
- Includes individual thread identification marking
- Additional thread sizes and configurations available

SAE TO SOCKET WELD PIPE COUPLING							
CARBON STEEL PART NO.	STAINLESS STEEL PART NO.	A	B	C	D	E	F SAE UN-2B
820-8	820-8-SS	1.25	1.63	.689	.560	.855	*3/4-16
820-12	820-12-SS	1.50	2.06	.981	.560	1.062	1 1/16-12
820-16	820-16-SS	1.75	2.06	1.231	.630	1.328	1 5/16-12
820-20	820-20-SS	2.25	2.06	1.544	.690	1.672	1 5/8-12
820-24	820-24-SS	2.75	2.20	1.794	.750	1.922	1 7/8-12
820-32	820-32-SS	3.25	2.50	2.419	.875	2.406	2 1/2-12
820-40	820-40-SS	3.09	3.00	2.919	1.000	2.910	3-12
820-48	820-48-SS	3.59	3.00	3.419	1.120	3.550	3 1/2-12
820-64	820-64-SS	4.59	3.25	4.419	1.250	4.580	4 1/2-12

\*UNF-2B

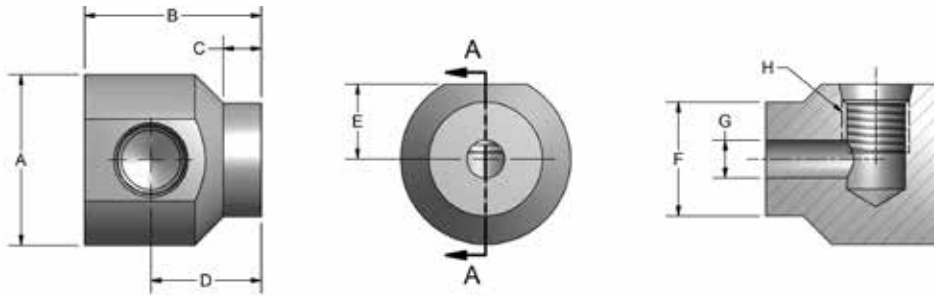


- AISI1020 Carbon Steel
- 316L Stainless Steel
- Includes individual thread identification marking
- Additional thread sizes and configurations available

SOCKET WELD PIPE TO MALE JIC COUPLING							
CARBON STEEL PART NO.	STAINLESS STEEL PART NO.	A	B	C	D	E	F THREAD
840-8	840-8-SS	.391	1.63	.560	.855	1.25	*3/4-16
840-12	840-12-SS	.609	1.89	.560	1.062	1.50	1 1/16-12
840-16	840-16-SS	.844	2.06	.630	1.328	1.75	1 5/16-12
840-20	840-20-SS	1.078	2.06	.690	1.672	2.25	1 5/8-12
840-24	840-24-SS	1.312	2.20	.750	1.922	2.75	1 7/8-12
840-32	840-32-SS	1.781	2.50	.875	2.406	3.25	2 1/2-12

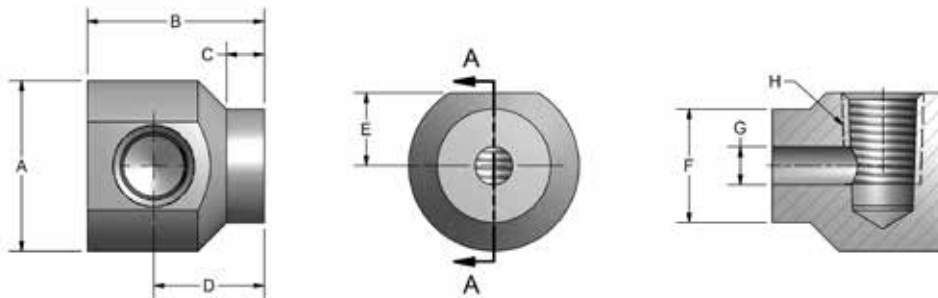
\*UNF-2A

# 90 Degree Weld Couplings



- AISI1020 Carbon Steel
- Includes individual thread identification marking
- Additional thread sizes and configurations available

SAE TO WELD 90 DEGREE COUPLING								
PART NUMBER	A	B	C	D	E	F	G	H SAE UN-2B
83590-4	1.13	1.17	0.250	0.729	0.493	0.750	0.250	7/16-20
83590-6	1.25	1.25	0.250	0.746	0.528	0.875	0.295	9/16-18
83590-8	1.75	1.53	0.250	0.907	0.646	1.125	0.394	3/4-16
83590-10	1.88	1.55	0.250	0.863	0.656	1.250	0.492	7/8-14
83590-12	2.25	2.05	0.375	1.305	0.784	1.375	0.630	1 1/16-12
83590-14	2.38	1.96	0.375	1.143	0.791	1.500	0.709	1 3/16-12
83590-16	2.63	2.32	0.375	1.449	0.890	1.625	0.827	1 5/16-12
83590-20	3.13	2.75	0.375	1.622	1.067	2.125	1.062	1 5/8-12
83590-24	3.63	3.31	0.500	1.939	1.284	2.500	1.300	1 7/8-12
83590-32	4.63	4.00	0.500	2.374	1.532	3.000	1.770	2 1/2-12



- AISI1020 Carbon Steel
- Includes individual thread identification marking
- Additional thread sizes and configurations available

NPTF TO WELD 90 DEGREE COUPLING								
PART NUMBER	A	B	C	D	E	F	G	H NPTF
84590-4	1.13	1.17	0.250	0.729	0.481	0.750	0.250	1/4-18
84590-6	1.25	1.25	0.250	0.746	0.488	0.875	0.295	3/8-18
84590-8	1.75	1.53	0.250	0.943	0.736	1.125	0.394	1/2-14
84590-12	2.25	2.05	0.375	1.305	0.965	1.375	0.630	3/4-14
84590-16	2.63	2.32	0.375	1.449	1.114	1.625	0.827	1-11.5
84590-20	3.13	2.75	0.375	1.605	1.299	2.125	1.062	1 1/4-11.5
84590-24	3.63	3.31	0.500	1.939	1.520	2.500	1.300	1 1/2-11.5
84590-32	4.63	4.00	0.500	2.374	1.961	3.000	1.770	2-11.5









# **HPU SUCTION & RETURN CONNECTIONS**



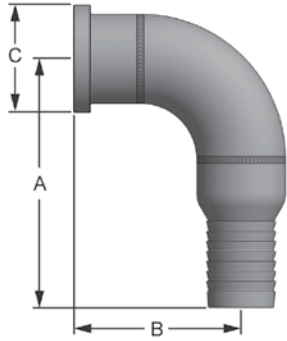
**866-FLANGES | 513.527.4444 | Fax 513.527.4449**  
sales@anchorfluidpower.com | anchorfluidpower.com



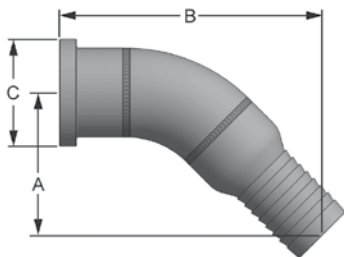
# Hose Barb to SAE Flange Head



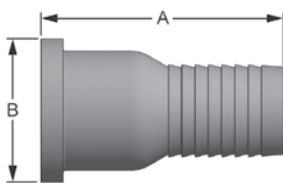
- Suction to 400 psi max
- Carbon steel natural finish
- Material certificates available upon request
- Flange head manufactured to SAE J518-1



90° HOSE BARB TO SAE FLANGE HEAD							
	HOSE SIZE	FLANGE SIZE	A	B	C	ID	SPLIT FLANGE
20HB-20SF90	1.25	1.25	4.64	3.13	2.00	1.03	20SFO
24HB-24SF90	1.50	1.50	5.00	3.50	2.38	1.28	24SFO
32HB-32SF90	2.00	2.00	6.19	4.25	2.81	1.75	32SFO
40HB-40SF90	2.50	2.50	7.50	5.50	3.31	2.17	40SFO
48HB-48SF90	3.00	3.00	8.75	6.38	4.00	2.72	48SFO
64HB-64SF90	4.00	4.00	10.75	7.75	5.00	3.69	64SFO



45° HOSE BARB TO SAE FLANGE HEAD							
	HOSE SIZE	FLANGE SIZE	A	B	C	ID	SPLIT FLANGE
20HB-20SF45	1.25	1.25	2.66	4.91	2.00	1.03	20SFO
24HB-24SF45	1.50	1.50	2.74	5.12	2.38	1.28	24SFO
32HB-32SF45	2.00	2.00	3.23	5.85	2.81	1.75	32SFO
40HB-40SF45	2.50	2.50	3.89	7.39	3.31	2.17	40SFO
48HB-48SF45	3.00	3.00	4.42	8.30	4.00	2.72	48SFO
64HB-64SF45	4.00	4.00	5.13	9.38	5.00	3.69	64SFO



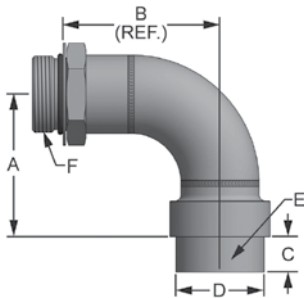
STRAIGHT HOSE BARB TO SAE FLANGE HEAD						
	HOSE SIZE	FLANGE SIZE	A	B	ID	SPLIT FLANGE
20HB-20SF	1.25	1.25	3.39	2.00	1.03	20SFO
24HB-24SF	1.50	1.50	3.50	2.38	1.28	24SFO
32HB-32SF	2.00	2.00	3.93	2.81	1.75	32SFO
40HB-40SF	2.50	2.50	4.63	3.31	2.17	40SFO
48HB-48SF	3.00	3.00	5.19	4.00	2.72	48SFO
64HB-64SF	4.00	4.00	5.83	5.00	3.69	64SFO

† Optional Split Flange sold separately

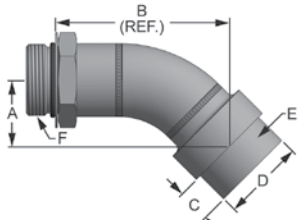
## SAE Thread to Tank Coupling



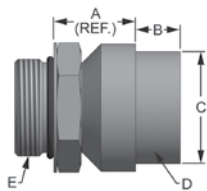
- Suction to 400 psi max
- Buna seals standard / Viton optional
- Carbon steel natural finish
- 90° & 45° SAE thread with adjustable nut
- Material certificates available upon request
- SAE threads manufactured to J1926



90° SAE THREAD TO TANK COUPLING										
	LINE SIZE	TANK PILOT	A	B (REF.)	C	D	E (INTERNAL THREAD)	F	ID	BALL VALVE
20NPT-20SAE90	1.25	1.25	3.01	3.28	0.75	1.88	1 1/4-11.5	1 5/8-12	1.08	LV2BS#20-2T-MH
*24NPT-24SAE90	1.50	1.50	3.38	3.65	0.75	2.13	1 1/2-11.5	1 7/8-12	1.32	LV2BS#24-2T-MH
*32NPT-32SAE90	2.00	2.00	4.13	4.40	0.88	2.63	2-11.5	2 1/2-12	1.58	LV2BS#32-2T-MH
*40NPT-40SAE90	2.50	2.50	5.38	5.23	1.00	3.25	2 1/2-8	3-12	2.09	LV2BS#40-2T-MH
*48NPT-48SAE90	3.00	3.00	6.00	6.15	1.00	4.00	3-8	3 1/2-12	2.48	LV2BS#48-2T-MH
*64NPT-64SAE90	4.00	4.00	8.00	7.65	1.00	5.00	4-8	4 1/2-12	3.94	LV2BS#64-2T-MH



45° SAE THREAD TO TANK COUPLING										
	LINE SIZE	TANK PILOT	A	B (REF.)	C	D	E (INTERNAL THREAD)	F	ID	BALL VALVE
20NPT-20SAE45	1.25	1.25	1.51	3.96	0.75	1.88	1 1/4-11.5	1 5/8-12	1.08	LV2BS#20-2T-MH
*24NPT-24SAE45	1.50	1.50	1.60	4.17	0.75	2.13	1 1/2-11.5	1 7/8-12	1.32	LV2BS#24-2T-MH
*32NPT-32SAE45	2.00	2.00	1.77	4.60	0.88	2.63	2-11.5	2 1/2-12	1.58	LV2BS#32-2T-MH
*40NPT-40SAE45	2.50	2.50	2.39	5.68	1.00	3.25	2 1/2-8	3-12	2.09	LV2BS#40-2T-MH
*48NPT-48SAE45	3.00	3.00	2.48	6.18	1.00	4.00	3-8	3 1/2-12	2.48	LV2BS#48-2T-MH
*64NPT-64SAE45	4.00	4.00	3.18	7.39	1.00	5.00	4-8	4 1/2-12	3.94	LV2BS#64-2T-MH



STRAIGHT SAE THREAD TO TANK COUPLING										
	LINE SIZE	TANK PILOT	A (REF.)	B	C	D (INTERNAL THREAD)	E	ID	BALL VALVE	
20NPT-20SAE	1.25	1.25	1.38	0.75	1.88	1 1/4-11.5	1 5/8-12	1.08	LV2BS#20-2T-MH	
*24NPT-24SAE	1.50	1.50	1.51	0.75	2.13	1 1/2-11.5	1 7/8-12	1.32	LV2BS#24-2T-MH	
*32NPT-32SAE	2.00	2.00	1.51	0.88	2.63	2-11.5	2 1/2-12	1.58	LV2BS#32-2T-MH	
*40NPT-40SAE	2.50	2.50	1.58	1.00	3.25	2 1/2-8	3-12	2.09	LV2BS#40-2T-MH	
*48NPT-48SAE	3.00	3.00	1.65	1.00	4.00	3-8	3 1/2-12	2.48	LV2BS#48-2T-MH	
*64NPT-64SAE	4.00	4.00	1.65	1.00	5.00	4-8	4 1/2-12	3.94	LV2BS#64-2T-MH	

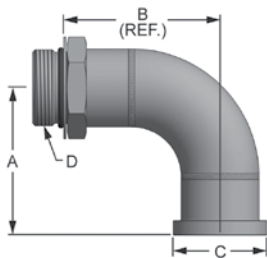
\* Uses Adjustable Spanner  
 † Optional Ball Valve sold separately



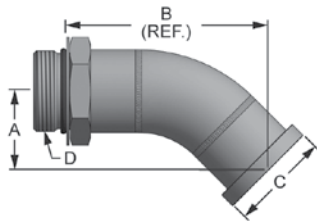
# SAE Thread to Flange Head



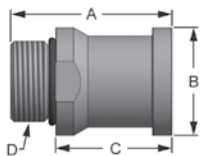
- Suction to 400 psi max
- Buna seals standard / Viton optional
- Carbon steel natural finish
- 90° & 45° SAE thread with adjustable nut
- Material certificates available upon request
- SAE threads manufactured to J1926



90° SAE THREAD TO FLANGE HEAD										
	LINE SIZE	FLANGE SIZE	A	B (REF.)	C	D	ID	BALL VALVE	SPLIT FLANGE	
20SF-20SAE90	1.25	1.25	3.13	3.28	2.00	1 5/8-12	1.08	LV2BS#20-2T-MH	20SFO	
*24SF-24SAE90	1.50	1.50	3.50	3.65	2.38	1 7/8-12	1.32	LV2BS#24-2T-MH	24SFO	
*32SF-32SAE90	2.00	2.00	4.25	4.40	2.81	2 1/2-12	1.58	LV2BS#32-2T-MH	32SFO	
*40SF-40SAE90	2.50	2.50	5.50	5.23	3.31	3-12	2.09	LV2BS#40-2T-MH	40SFO	
*48SF-48SAE90	3.00	3.00	6.38	6.15	4.00	3 1/2-12	2.48	LV2BS#48-2T-MH	48SFO	
*64SF-64SAE90	4.00	4.00	7.75	7.65	5.00	4 1/2-12	3.83	LV2BS#64-2T-MH	64SFO	



45° SAE THREAD TO FLANGE HEAD										
	LINE SIZE	FLANGE SIZE	A	B (REF.)	C	D	ID	BALL VALVE	SPLIT FLANGE	
20SF-20SAE45	1.25	1.25	1.59	4.00	2.00	1 5/8-12	1.08	LV2BS#20-2T-MH	20SFO	
*24SF-24SAE45	1.50	1.50	1.68	4.20	2.38	1 7/8-12	1.32	LV2BS#24-2T-MH	24SFO	
*32SF-32SAE45	2.00	2.00	1.86	4.64	2.81	2 1/2-12	1.58	LV2BS#32-2T-MH	32SFO	
*40SF-40SAE45	2.50	2.50	2.48	5.68	3.31	3-12	2.09	LV2BS#40-2T-MH	40SFO	
*48SF-48SAE45	3.00	3.00	2.74	6.39	4.00	3 1/2-12	2.48	LV2BS#48-2T-MH	48SFO	
*64SF-64SAE45	4.00	4.00	3.00	7.16	5.00	4 1/2-12	3.83	LV2BS#64-2T-MH	64SFO	



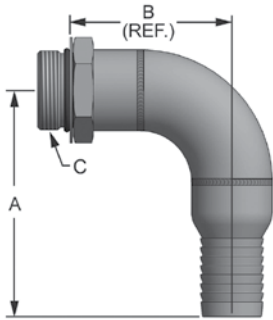
STRAIGHT SAE THREAD TO FLANGE HEAD										
	LINE SIZE	FLANGE SIZE	A	B	C	D	ID	BALL VALVE	SPLIT FLANGE	
**302-20-20	1.25	1.25	3.13	2.00	2.41	1 5/8-12	1.08	LV2BS#20-2T-MH	20SFO	
**302-24-24	1.50	1.50	3.14	2.38	2.42	1 7/8-12	1.32	LV2BS#24-2T-MH	24SFO	
**302-32-32	2.00	2.00	3.63	2.81	2.91	2 1/2-12	1.57	LV2BS#32-2T-MH	32SFO	
**302-40-40	2.50	2.50	4.23	3.31	3.40	3-12	2.09	LV2BS#40-2T-MH	40SFO	
**302-48-48	3.00	3.00	4.50	4.00	3.52	3 1/2-12	2.48	LV2BS#48-2T-MH	48SFO	
**302-64-64	4.00	4.00	4.14	5.00	3.45	4 1/2-12	3.94	LV2BS#64-2T-MH	64SFO	

\* Uses Adjustable Spanner  
 \*\* 302 Series Silver Trivalent Plated  
 † Optional Ball Valve and Split Flange sold separately

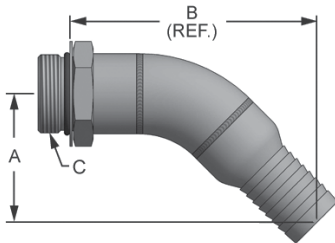
FLOW NEEDLE & CHECK VALVES  
 HYDRAULIC BALL VALVES  
 WELD COUPLINGS  
 HPU SUCTION & RETURN CONNECTIONS  
 FLANGES CARBON STEEL  
 FLANGES STAINLESS STEEL

## Hose Barb to SAE Thread

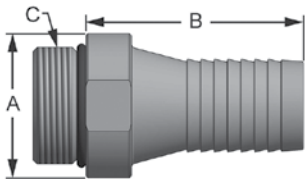
- Suction to 400 PSI max
- Buna seals standard / Viton optional
- Carbon steel natural finish
- 90° & 45° SAE thread with adjustable nut
- Material certificates available upon request
- SAE threads manufactured to J1926



90° HOSE BARB TO SAE THREAD							
	HOSE SIZE	THREAD SIZE	A	B (REF.)	C	ID	BALL VALVE
20HB-20SAE90	1.25	1.25	4.64	3.28	1 5/8-12	1.03	LV2BS#20-2T-MH
*24HB-24SAE90	1.50	1.50	5.00	3.65	1 7/8-12	1.28	LV2BS#24-2T-MH
*32HB-32SAE90	2.00	2.00	6.19	4.40	2 1/2-12	1.58	LV2BS#32-2T-MH
*40HB-40SAE90	2.50	2.50	7.50	5.23	3-12	2.09	LV2BS#40-2T-MH
*48HB-48SAE90	3.00	3.00	8.75	6.15	3 1/2-12	2.48	LV2BS#48-2T-MH
*64HB-64SAE90	4.00	4.00	10.75	7.65	4 1/2-12	3.69	LV2BS#64-2T-MH



45° HOSE BARB TO SAE THREAD							
	HOSE SIZE	THREAD SIZE	A	B (REF.)	C	ID	BALL VALVE
20HB-20SAE45	1.25	1.25	2.66	5.11	1 5/8-12	1.03	LV2BS#20-2T-MH
*24HB-24SAE45	1.50	1.50	2.74	5.31	1 7/8-12	1.28	LV2BS#24-2T-MH
*32HB-32SAE45	2.00	2.00	3.23	6.05	2 1/2-12	1.58	LV2BS#32-2T-MH
*40HB-40SAE45	2.50	2.50	3.89	7.18	3-12	2.09	LV2BS#40-2T-MH
*48HB-48SAE45	3.00	3.00	4.42	8.13	3 1/2-12	2.48	LV2BS#48-2T-MH
*64HB-64SAE45	4.00	4.00	5.13	9.34	4 1/2-12	3.69	LV2BS#64-2T-MH



STRAIGHT HOSE BARB TO SAE THREAD							
	HOSE SIZE	THREAD SIZE	A	B	C	ID	BALL VALVE
20HB-20SAE	1.25	1.25	2.00	3.01	1 5/8-12	1.03	LV2BS#20-2T-MH
24HB-24SAE	1.50	1.50	2.50	3.01	1 7/8-12	1.28	LV2BS#24-2T-MH
32HB-32SAE	2.00	2.00	3.25	3.45	2 1/2-12	1.58	LV2BS#32-2T-MH
40HB-40SAE	2.50	2.50	3.75	4.01	3-12	2.09	LV2BS#40-2T-MH
48HB-48SAE	3.00	3.00	4.50	4.63	3 1/2-12	2.48	LV2BS#48-2T-MH
64HB-64SAE	4.00	4.00	5.50	5.13	4 1/2-12	3.69	LV2BS#64-2T-MH

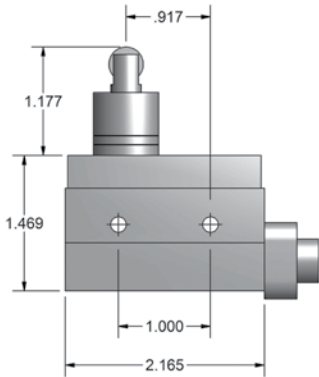
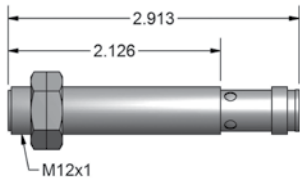
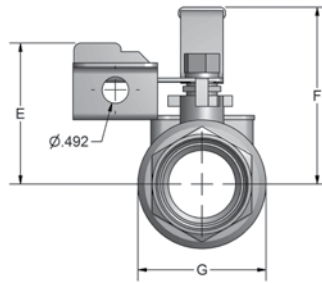
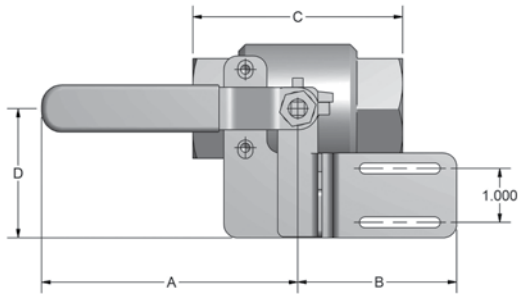
\* Uses Adjustable Spanner  
 † Optional Ball Valve sold separately



# Suction and Return Line Valves



- All stainless steel construction
- Locking handle standard
- SAE threads manufactured to J1926
- Bracket designed to support limit switch or proximity sensor
- Prox is M12 4-Pin connector, normally open, and VDC only
- Limit can be wired VDC or VAC and normally open or normally closed
- Both limit and prox have IP67 rating



LV2B SERIES - SAE									
SIZE	PSI MAX	A	B	C	D	E	F	G	ID
1"	1000	5.00	2.90	3.60	2.45	2.50	3.25	2.07	0.98
1-1/4"	1000	5.15	2.95	3.95	2.45	2.85	3.10	2.36	1.26
1-1/2"	1000	6.10	2.96	4.24	2.38	3.28	3.97	2.77	1.50
2"	1000	6.10	2.91	4.88	2.38	3.53	4.34	3.50	1.97
2-1/2"	1000	9.06	2.86	6.30	2.84	4.18	5.20	4.53	2.56
3"	1000	9.06	2.91	7.26	3.07	4.70	5.71	5.35	3.15
4"	500	13.00	2.90	8.80	3.11	6.10	7.11	7.02	3.93

\*For Technical and Material info refer to page 44

**LV2BS#16 - 2T - MHS**

- B:** Bracket only, No Limit Switch or Proximity Sensor
- S:** Bracket and Limit Switch
- P:** Bracket and Proximity Sensor
- Omit:** No bracket, Limit Switch, or Proximity Sensor

**THREAD SIZE**

# FLANGES CARBON STEEL



866-FLANGES | 513.527.4444 | Fax 513.527.4449  
sales@anchorfluidpower.com | anchorfluidpower.com



## SAE J518 Split/Captive Flanges

For SAE Flanged Head Connection

CD 61 - CD 62	72
---------------	----

## Split Flange Head Adapters

CD 61 - CD 62 JIC Thread	73
CD 61 - CD 62 SAE Straight Thread	73
CD 61 - CD 62 ORFS Thread	74
CD 61 - CD 62 45° Elbow JIC Thread	74
CD 61 - CD 62 45° Elbow ORFS Thread	74
CD 61 - CD 62 90° Elbow JIC Thread	75
CD 61 - CD 62 90° Elbow ORFS Thread	75
CD 61 Flange Head X Flange Head	76
CD 61 Butt Weld-Sched 40/Sched 80/Sched 160	77
CD 62 Butt Weld-Sched 80/Sched 160/Sched XXS	78
CD 61 - CD 62 Socket Weld	79
CD 61 NPTF Thread	79
CD 61 SAE Thread	79
CD 61 - CD 62 Tube Flange Head Fitting	80
CD 61 - CD 62 Braze-On	81
CD 61 - CD 62 Flange Plug	84

## SAE 4 Bolt Flanges

CD 61 - CD 62 Spacer Blocks with Gage Port	87
CD 61 - CD 62 Blanking	90
CD 61 - CD 62 NPTF	92
CD 61 - CD 62 SAE Thread	93
CD 61 - CD 62 BSPP Thread	94
CD 61 - CD 62 Male JIC	95
CD 61 - CD 62 Male ORFS	96
CD 61 - CD 62 Flat Socket Weld Pipe	97
CD 61 - CD 62 Flat Socket Weld Tube	98
CD 61 - CD 62 Deep Socket Weld Pipe	99
CD 61 - CD 62 Deep Socket Weld Tube	100
CD 61 Butt Weld-Sched 40/Sched 80/Sched 160	101
CD 62 Butt Weld-Sched 80/Sched 160/Sched XXS	102
CD 61 Saddle Weld	103
CD 61 Tank Pilot	104
CD 61 - CD 62 Elbow Block	105
CD 61 - CD 62 Elbow NPTF & SAE Thread	107
CD 61 Elbow Socket Weld Pipe	108
CD 62 Elbow Socket Weld Tube	109

## Square 4 Bolt Flanges

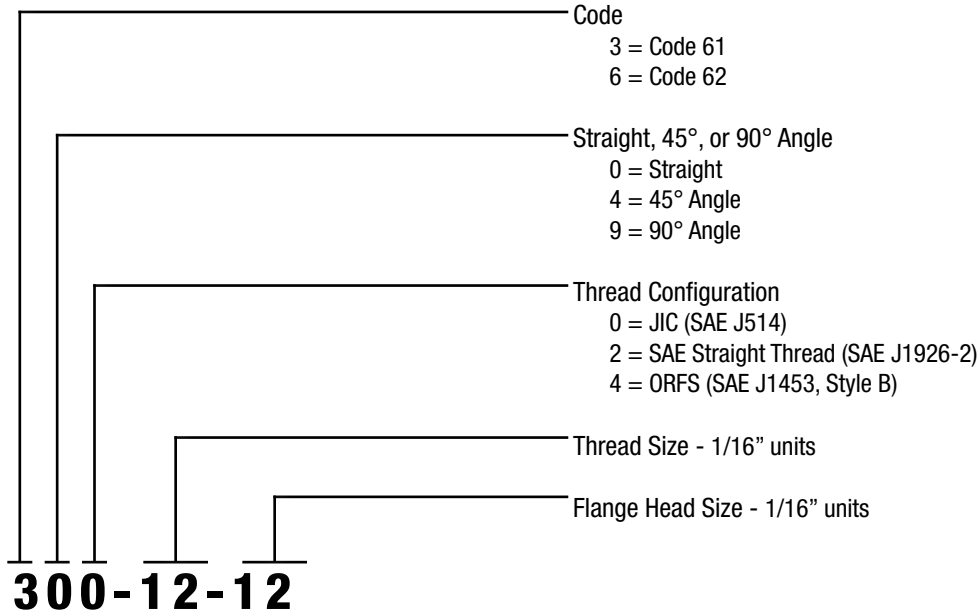
3000 Series Flat Socket Weld	110
3000 Series NPTF Thread	110
6000 Series Flat Socket Weld	111

## Miscellaneous Components

CAT-Style Split Flange	83
CD 61 - CD 62 Braze-On ORFS Thread	81
CD 61 - CD 62 Braze-On JIC Thread	82
CD 61 - CD 62 Connector Plates	85
CD 61 - CD 62 Connector Blocks	85
CD 61 - CD 62 Double O-Ring Union	86
CD 61 - CD 62 Orifice Plate	88
CD 61 - CD 62 Bolt Pattern Adapter	89
CD 61 - CD 62 Shipping Plates	91
CD 61 - CD 62 Tee Junction Block	106
O-Rings	129

# Ordering System

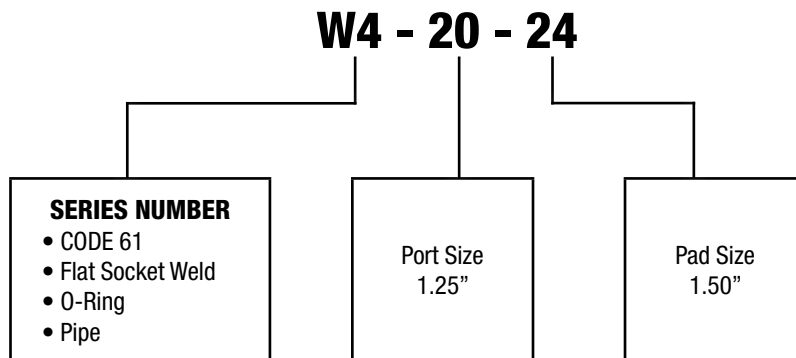
## SPLIT FLANGE ADAPTERS



For additional jump sizes, please consult factory.

## FLANGES

Our basic part numbering system is simple to use. The explanation of our part numbering system is detailed below. The series number provides the greatest amount of information pertaining to the flange product. The port size and pad size simply refer to size only, with all sizes based on 1/16 of an inch.



NOTE #1 – All items available with mounting kit by simply adding suffix letter “U”.

NOTE #2 – All items available in stainless steel material by simply adding the suffix letters “SS”.

NOTE #3 – All items available with metric mounting holes simply by adding the appropriate suffix (IE: M10, M12, etc.).



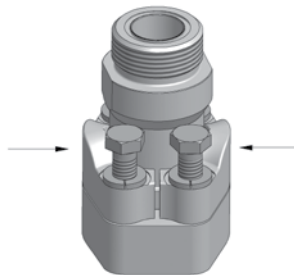


# General Information

## SPLIT FLANGE CLAMP

Clean the sealing surfaces and make certain they are free from nicks, scratches and burrs. Foreign material prevents a proper seal.

Lubricate the o-ring and ensure that it is properly installed as to prevent damage during installation.



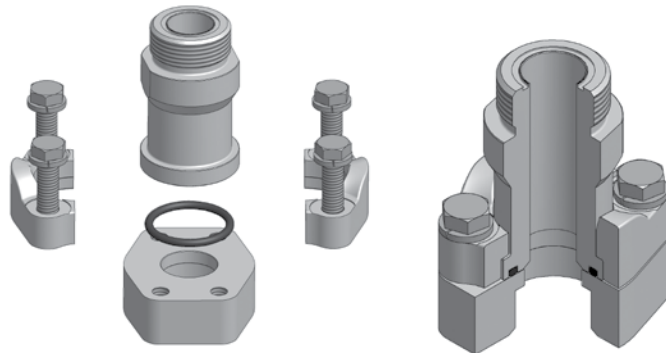
Push the flange clamps towards the flange head and screw fasteners into flange pad. Continue to screw the fasteners until their heads just meet the split flange surface.



Torque the fasteners in diagonal sequence, in small increments, until final torque level is achieved. Torque values for flange connections listed above. Notice that the torque values vary according to size and fastener type.

Anchor Fluid Power split flange connections are manufactured according to SAE J518-1 and -2, as well as ISO 6162-1 and -2. These standards control dimensions, tolerances and plating. Please note that the above pressure rating chart refers to the flange connection. Adapting the flange to other connections, such as braze tube, welded pipe, or threaded ports / stud ends, could reduce maximum working pressure.

Please consult with Anchor Fluid Power for pressure rating specific to your connection requirement.



## PRESSURE RATINGS OF SAE FLANGES

CODE 61 SAE J518-1 / ISO 6162-1					
DASH SIZE	INCH SIZE	MAX WORKING PRESSURE		GRADE 8 AND EQUIVALENT FASTENER TORQUE VALUE	
		PSI	MPA	SOCKET HEAD UNC (LB-FT)	HEX HEAD UNC (LB-FT)
-8	1/2"	5000	35	24	18
-12	3/4"	5000	35	44	33
-16	1"	4600	32	44	33
-20	1 1/4"	4000	28	68	52
-24	1 1/2"	3000	21	111	80
-32	2"	3000	21	111	80
-40	2 1/2"	2500	17.5	111	80
-48	3"	2300	16	218	160
-56	3 1/2"	500	3.5	218	160
-64	4"	500	3.5	218	160
-80	5"	500	3.5	218	160

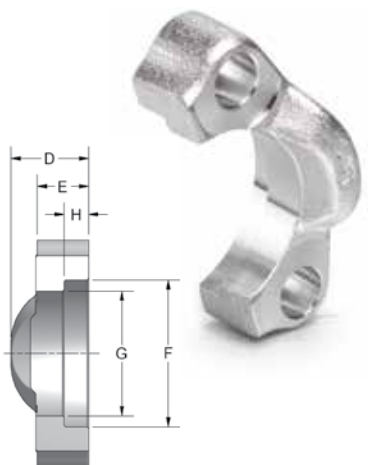
CODE 62 SAE J518-2 / ISO 6162-2					
DASH SIZE	INCH SIZE	MAX WORKING PRESSURE		GRADE 8 AND EQUIVALENT FASTENER TORQUE VALUE	
		PSI	MPA	SOCKET HEAD UNC (LB-FT)	HEX HEAD UNC (LB-FT)
-8	1/2"	6000	40	24	18
-12	3/4"	6000	40	44	33
-16	1"	6000	40	68	52
-20	1 1/4"	6000	40	111	80
-24	1 1/2"	6000	40	218	160
-32	2"	6000	40	332	281
-40	2 1/2"	6000	40	N/A	605
-48	3"	6000	40	N/A	1280

\*\*All max working pressures listed above are specific to the SAE J518/ISO 6162 bolt pattern. Features within the 4-Bolt flange and the connection opposite the 4-Bolt flange can de-rate the maximum working pressure.

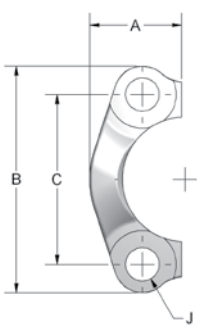
NOTE - All carbon steel torque values are based on AFP supplied socket head and hex head fasteners. Use of alternate fasteners can affect torque value. Consult factory for additional information.

# J518 Split & Captive Flange

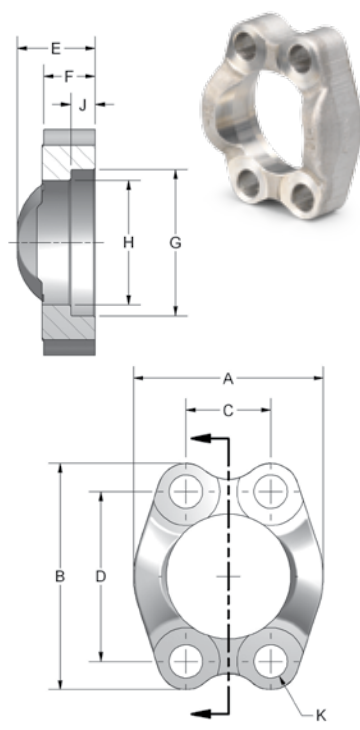
CODE 61 SPLIT FLANGE													
*PART NO.	**KIT PART NO.	FLANGE SIZE	A	B	C	D	E	F	G	H	J	MOUNTING HARDWARE	
												O-RING	HHCS
												8SF-2	8SFO
12SF-2	12SFO	.75	.98	2.56	1.875	.88	.56	1.531	1.265	.245	.406	214	3/8-16X1.25
16SF-2	16SFO	1.00	1.11	2.75	2.062	.94	.62	1.781	1.515	.295	.406	219	3/8-16X1.25
20SF-2	20SFO	1.25	1.39	3.12	2.312	.88	.56	2.031	1.720	.295	.469	222	7/16-14X1.50
24SF-2	24SFO	1.50	1.58	3.69	2.750	1.00	.62	2.406	2.000	.295	.531	225	1/2-13X1.50
32SF-2	32SFO	2.00	1.86	4.00	3.062	1.03	.62	2.844	2.470	.355	.531	228	1/2-13X1.50
40SF-2	40SFO	2.50	2.09	4.50	3.500	1.50	.75	3.344	2.950	.355	.531	232	1/2-13X1.75
48SF-2	48SFO	3.00	2.53	5.31	4.188	1.62	.88	4.031	3.580	.355	.656	237	5/8-11X1.75
56SF-2	56SFO	3.50	2.70	6.00	4.750	1.12	.88	4.531	4.030	.422	.656	241	5/8-11X2.00
64SF-2	64SFO	4.00	2.95	6.38	5.125	1.38	1.00	5.031	4.530	.422	.656	245	5/8-11X2.00



CODE 62 SPLIT FLANGE													
*PART NO.	**KIT PART NO.	FLANGE SIZE	A	B	C	D	E	F	G	H	J	MOUNTING HARDWARE	
												O-RING	HHCS
												8SFX-2	8SFXO
12SFX-2	12SFXO	.75	1.14	2.81	2.000	1.12	.75	1.656	1.280	.325	.406	214	3/8-16X1.50
16SFX-2	16SFXO	1.00	1.33	3.19	2.250	1.31	.94	1.906	1.530	.355	.469	219	7/16-14X1.75
20SFX-2	20SFXO	1.25	1.48	3.75	2.625	1.50	1.06	2.156	1.750	.385	.531	222	1/2-13X1.75
24SFX-2	24SFXO	1.50	1.83	4.44	3.125	1.69	1.19	2.531	2.030	.475	.656	225	5/8-11X2.25
32SFX-2	32SFXO	2.00	2.20	5.25	3.812	2.06	1.44	3.156	2.660	.475	.781	228	3/4-10X2.75



\*Anchor part # includes: (1) split flange half only  
 \*\*Kit part # includes: (2) split flange halves, (4) hex head screws with lockwashers, (1) Buna N O-Ring  
 Split flange halves are silver trivalent plated



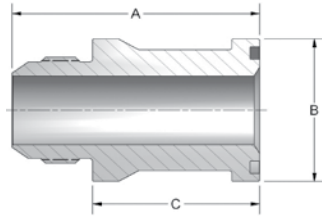
CODE 61 CAPTIVE FLANGE													
DRILLED PART NO.	TAPPED PART NO.	FLANGE SIZE	A	B	C	D	E	F	G	H	J	K	K UNC-2B
8SFW	8SFTW	.50	1.81	2.12	.688	1.500	.75	.50	1.219	.955	.245	.344	5/16-18
12SFW	12SFTW	.75	2.06	2.56	.875	1.875	.88	.56	1.531	1.265	.245	.406	3/8-16
16SFW	16SFTW	1.00	2.31	2.75	1.031	2.062	.94	.62	1.781	1.515	.295	.406	3/8-16
20SFW	20SFTW	1.25	2.88	3.12	1.188	2.312	.88	.56	2.031	1.720	.295	.469	7/16-14
24SFW	24SFTW	1.50	3.25	3.69	1.406	2.750	1.00	.62	2.406	2.000	.295	.531	1/2-13
32SFW	32SFTW	2.00	3.81	4.00	1.688	3.062	1.03	.62	2.844	2.470	.355	.531	1/2-13
40SFW	40SFTW	2.50	4.28	4.50	2.000	3.500	1.50	.75	3.344	2.950	.355	.531	1/2-13
48SFW	48SFTW	3.00	5.16	5.31	2.438	4.188	1.62	.88	4.031	3.580	.355	.656	5/8-11
56SFW	56SFTW	3.50	5.50	6.00	2.750	4.750	1.12	.88	4.531	4.030	.422	.656	5/8-11
64SFW	64SFTW	4.00	6.00	6.38	3.062	5.125	1.38	1.00	5.031	4.530	.422	.656	5/8-11

CODE 62 CAPTIVE FLANGE													
DRILLED PART NO.	TAPPED PART NO.	FLANGE SIZE	A	B	C	D	E	F	G	H	J	K	K UNC-2B
8SFXW	8SFXTW	.50	1.86	2.22	.718	1.594	.88	.62	1.281	.970	.285	.344	5/16-18
12SFXW	12SFXTW	.75	2.38	2.81	.937	2.000	1.12	.75	1.656	1.280	.325	.406	3/8-16
16SFXW	16SFXTW	1.00	2.75	3.19	1.093	2.250	1.31	.94	1.906	1.530	.355	.469	7/16-14
20SFXW	20SFXTW	1.25	3.06	3.75	1.250	2.625	1.50	1.06	2.156	1.750	.385	.531	1/2-13
24SFXW	24SFXTW	1.50	3.75	4.44	1.437	3.125	1.69	1.19	2.531	2.030	.475	.656	5/8-11
32SFXW	32SFXTW	2.00	4.50	5.25	1.750	3.812	2.06	1.44	3.156	2.660	.475	.781	3/4-10



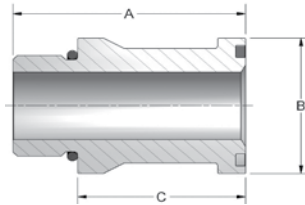
# Split Flange Adapters

## JIC THREAD



CODE 61 JIC THREAD						
PART NO.	TUBE O.D.	FLANGE SIZE	A	B	C	THREAD
300-8-8	1/2	1/2	2.60	1.188	1.94	3/4-16
300-8-12	1/2	3/4	2.75	1.500	2.09	3/4-16
300-12-12	3/4	3/4	2.75	1.500	1.89	1 1/16-12
300-16-12	1	3/4	2.75	1.500	1.84	1 5/16-12
300-12-16	3/4	1	2.80	1.750	1.94	1 1/16-12
300-16-16	1	1	2.80	1.750	1.89	1 5/16-12
300-20-16	1 1/4	1	2.80	1.750	1.84	1 5/8-12
300-12-20	3/4	1 1/4	2.80	2.000	1.94	1 1/16-12
300-16-20	1	1 1/4	2.80	2.000	1.89	1 5/16-12
300-20-20	1 1/4	1 1/4	2.80	2.000	1.84	1 5/8-12
300-24-20	1 1/2	1 1/4	3.40	2.000	2.32	1 7/8-12
300-16-24	1	1 1/2	3.33	2.380	2.42	1 5/16-12
300-20-24	1 1/4	1 1/2	3.38	2.375	2.42	1 5/8-12
300-24-24	1 1/2	1 1/2	3.50	2.375	2.42	1 7/8-12
300-32-24	2	1 1/2	4.20	2.375	2.87	2 1/2-12
300-20-32	1 1/4	2	3.60	2.810	2.64	1 5/8-12
300-24-32	1 1/2	2	3.73	2.812	2.64	1 7/8-12
300-32-32	2	2	3.98	2.812	2.64	2 1/2-12
300-32-40	2	2 1/2	3.98	3.312	2.64	2 1/2-12

CODE 62 JIC THREAD						
PART NO.	TUBE O.D.	FLANGE SIZE	A	B	C	THREAD
600-8-8	1/2	1/2	2.61	1.250	1.95	3/4-16
600-12-12	3/4	3/4	2.75	1.625	1.89	1 1/16-12
600-16-12	1	3/4	2.75	1.625	1.84	1 5/16-12
600-20-12	1 1/4	3/4	3.05	1.625	2.09	1 5/8-12
600-12-16	3/4	1	2.80	1.875	1.94	1 1/16-12
600-16-16	1	1	2.80	1.875	1.89	1 5/16-12
600-20-16	1 1/4	1	2.80	1.875	1.84	1 5/8-12
600-16-20	1	1 1/4	3.05	2.125	2.14	1 5/16-12
600-20-20	1 1/4	1 1/4	3.05	2.125	2.09	1 5/8-12
600-24-20	1 1/2	1 1/4	3.30	2.125	2.22	1 7/8-12
600-16-24	1	1 1/2	3.33	2.500	2.42	1 5/16-12
600-20-24	1 1/4	1 1/2	3.50	2.500	2.54	1 5/8-12
600-24-24	1 1/2	1 1/2	3.50	2.500	2.42	1 7/8-12
600-32-24	2	1 1/2	4.94	2.500	3.61	2 1/2-12
600-24-32	1 1/2	2	3.98	3.125	2.89	1 7/8-12
600-32-32	2	2	4.23	3.125	2.89	2 1/2-12



## SAE STRAIGHT THREAD

CODE 61 SAE STRAIGHT THREAD						
PART NO.	TUBE O.D.	FLANGE SIZE	A	B	C	THREAD
302-8-8	1/2	1/2	2.49	1.188	1.94	3/4-16
302-12-12	3/4	3/4	2.61	1.500	1.89	1 1/16-12
302-16-12	1	3/4	2.88	1.500	2.16	1 5/16-12
302-12-16	3/4	1	2.74	1.750	2.02	1 1/16-12
302-16-16	1	1	2.61	1.750	1.89	1 5/16-12
302-20-16	1 1/4	1	3.13	1.750	2.41	1 5/8-12
302-16-20	1	1 1/4	2.74	2.000	2.02	1 5/16-12
302-20-20	1 1/4	1 1/4	3.13	2.000	2.41	1 5/8-12
302-24-20	1 1/2	1 1/4	3.43	2.000	2.71	1 7/8-12
302-16-24	1	1 1/2	3.30	2.380	2.58	1 5/16-12
302-20-24	1 1/4	1 1/2	3.30	2.375	2.58	1 5/8-12
302-24-24	1 1/2	1 1/2	3.14	2.375	2.42	1 7/8-12
302-24-32	1 1/2	2	3.79	2.812	3.07	1 7/8-12
302-32-32	2	2	3.63	2.812	2.91	2 1/2-12
302-40-40	2 1/2	2 1/2	4.23	3.310	3.08	3-12
302-48-48	3	3	4.50	4.000	3.36	3 1/2-12
302-64-64	4	4	4.14	5.000	2.89	4 1/2-12

CODE 62 SAE STRAIGHT THREAD						
PART NO.	TUBE O.D.	FLANGE SIZE	A	B	C	THREAD
602-8-8	1/2	1/2	2.50	1.250	1.95	3/4-16
602-12-12	3/4	3/4	2.62	1.625	1.89	1 1/16-12
602-16-12	1	3/4	2.88	1.625	2.15	1 5/16-12
602-12-16	3/4	1	2.75	1.875	2.02	1 1/16-12
602-16-16	1	1	2.62	1.875	1.89	1 5/16-12
602-20-16	1 1/4	1	3.44	1.875	2.71	1 5/8-12
602-16-20	1	1 1/4	3.12	2.125	2.39	1 5/16-12
602-20-20	1 1/4	1 1/4	3.00	2.125	2.27	1 5/8-12
602-24-20	1 1/2	1 1/4	3.44	2.125	2.71	1 7/8-12
602-20-24	1 1/4	1 1/2	3.31	2.500	2.58	1 5/8-12
602-24-24	1 1/2	1 1/2	3.19	2.500	2.46	1 7/8-12
602-24-32	1 1/2	2	3.90	3.125	3.17	1 7/8-12
602-32-32	2	2	3.75	3.125	3.02	2 1/2-12

FLOW NEEDLE  
& CHECK VALVES

HYDRAULIC  
BALL VALVES

WELD  
COUPLINGS

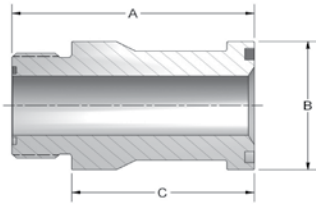
HPU SUCTION &  
RETURN CONNECTIONS

FLANGES  
CARBON STEEL

FLANGES  
STAINLESS STEEL

# FLANGES - CARBON STEEL

## Threaded

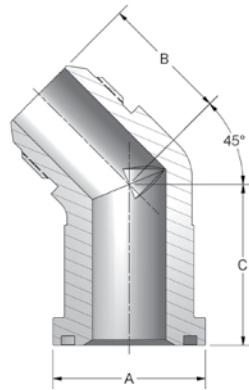


## ORFS THREAD

CODE 61 ORFS THREAD						
PART NO.	TUBE O.D.	FLANGE SIZE	A	B	C	THREAD
304-12-12	3/4	3/4	2.75	1.500	2.08	1 3/16-12
304-16-12	1	3/4	2.75	1.500	2.06	1 7/16-12
304-12-16	3/4	1	2.80	1.750	2.13	1 3/16-12
304-16-16	1	1	2.80	1.750	2.11	1 7/16-12
304-20-16	1 1/4	1	2.80	1.750	2.11	1 11/16-12
304-16-20	1	1 1/4	2.80	2.000	2.11	1 7/16-12
304-20-20	1 1/4	1 1/4	2.80	2.000	2.11	1 11/16-12
304-24-20	1 1/2	1 1/4	3.20	2.000	2.51	2-12
304-20-24	1 1/4	1 1/2	3.50	2.375	2.81	1 11/16-12
304-24-24	1 1/2	1 1/2	3.50	2.375	2.81	2-12
304-24-32	1 1/2	2	3.33	2.812	2.64	2-12

CODE 62 ORFS THREAD						
PART NO.	TUBE O.D.	FLANGE SIZE	A	B	C	THREAD
604-8-8	1/2	1/2	2.58	1.250	2.08	13/16-16
604-12-12	3/4	3/4	2.75	1.625	2.08	1 3/16-12
604-16-12	1	3/4	2.75	1.625	2.06	1 7/16-12
604-12-16	3/4	1	2.80	1.875	2.13	1 3/16-12
604-16-16	1	1	2.80	1.875	2.11	1 7/16-12
604-20-16	1 1/4	1	3.20	1.875	2.51	1 11/16-12
604-16-20	1	1 1/4	3.05	2.125	2.36	1 7/16-12
604-20-20	1 1/4	1 1/4	3.05	2.125	2.36	1 11/16-12
604-24-20	1 1/2	1 1/4	3.30	2.125	2.61	2-12
604-20-24	1 1/4	1 1/2	3.50	2.500	2.81	1 11/16-12
604-24-24	1 1/2	1 1/2	3.50	2.500	2.81	2-12
604-24-32	1 1/2	2	3.58	3.125	2.89	2-12

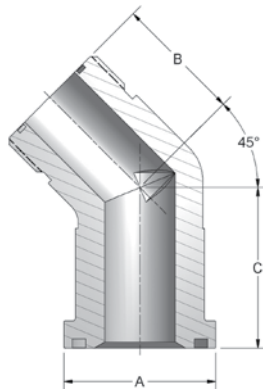
## 45° JIC THREAD



CODE 61 45° JIC THREAD						
PART NO.	TUBE O.D.	FLANGE SIZE	A	B	C	THREAD
340-12-12	3/4	3/4	1.500	1.28	1.58	1 1/16-12
340-16-16	1	1	1.750	1.47	1.85	1 5/16-12
340-20-20	1 1/4	1 1/4	2.000	1.59	2.04	1 5/8-12
340-24-24	1 1/2	1 1/2	2.375	1.78	2.38	1 7/8-12
340-32-32	2	2	2.812	2.22	3.00	2 1/2-12

CODE 62 45° JIC THREAD						
PART NO.	TUBE O.D.	FLANGE SIZE	A	B	C	THREAD
640-12-12	3/4	3/4	1.625	1.28	1.58	1 1/16-12
640-16-16	1	1	1.875	1.47	1.85	1 5/16-12
640-20-20	1 1/4	1 1/4	2.125	1.59	2.04	1 5/8-12
640-24-24	1 1/2	1 1/2	2.500	1.78	2.38	1 7/8-12
640-32-32	2	2	3.13	2.22	3.00	2 1/2-12

## 45° ORFS THREAD

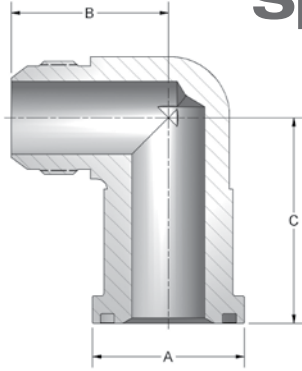


CODE 61 45° ORFS THREAD						
PART NO.	TUBE O.D.	FLANGE SIZE	A	B	C	THREAD
344-12-12	3/4	3/4	1.500	1.28	1.58	1 3/16-12
344-16-16	1	1	1.750	1.47	1.85	1 7/16-12
344-20-20	1 1/4	1 1/4	2.000	1.59	2.04	1 11/16-12
344-24-24	1 1/2	1 1/2	2.375	1.78	2.38	2-12

CODE 62 45° ORFS THREAD						
PART NO.	TUBE O.D.	FLANGE SIZE	A	B	C	THREAD
644-12-12	3/4	3/4	1.625	1.28	1.58	1 3/16-12
644-16-16	1	1	1.875	1.47	1.85	1 7/16-12
644-20-20	1 1/4	1 1/4	2.125	1.59	2.04	1 11/16-12
644-24-24	1 1/2	1 1/2	2.500	1.78	2.38	2-12



# Split Flange Adapters

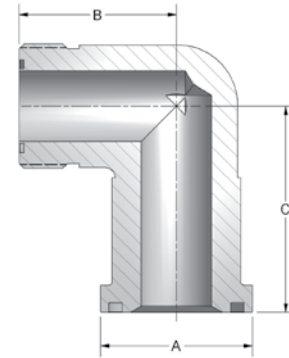


## 90° JIC THREAD

CODE 61 90° JIC THREAD						
PART NO.	TUBE O.D.	FLANGE SIZE	A	B	C	THREAD
390-8-8	1/2	1/2	1.19	1.46	2.13	3/4-16
390-8-12	1/2	3/4	1.500	1.66	2.13	3/4-16
390-12-12	3/4	3/4	1.500	1.66	2.13	1 1/16-12
390-16-12	1	3/4	1.500	1.66	2.13	1 5/16-12
390-12-16	3/4	1	1.750	1.81	2.37	1 1/16-12
390-16-16	1	1	1.750	1.81	2.37	1 5/16-12
390-20-16	1 1/4	1	1.750	1.81	2.37	1 5/8-12
390-12-20	3/4	1 1/4	2.000	2.06	2.62	1 1/16-12
390-16-20	1	1 1/4	2.000	2.06	2.62	1 5/16-12
390-20-20	1 1/4	1 1/4	2.000	2.06	2.62	1 5/8-12
390-24-20	1 1/2	1 1/4	2.000	2.06	2.62	1 7/8-12
390-12-24	3/4	1 1/2	2.375	2.33	3.15	1 1/16-12
390-16-24	1	1 1/2	2.375	2.33	3.15	1 5/16-12
390-20-24	1 1/4	1 1/2	2.375	2.33	3.15	1 5/8-12
390-24-24	1 1/2	1 1/2	2.375	2.33	3.15	1 7/8-12
390-32-24	2	1 1/2	2.375	2.58	3.15	2 1/2-12
390-24-32	1 1/2	2	2.812	3.06	4.25	1 7/8-12
390-32-32	2	2	2.812	3.06	4.25	2 1/2-12
390-32-40	2	2 1/2	3.312	3.06	4.25	2 1/2-12

CODE 62 90° JIC THREAD						
PART NO.	TUBE O.D.	FLANGE SIZE	A	B	C	THREAD
690-8-8	1/2	1/2	1.250	1.46	2.13	3/4-16
690-12-12	3/4	3/4	1.625	1.66	2.13	1 1/16-12
690-16-12	1	3/4	1.625	1.66	2.13	1 5/16-12
690-12-16	3/4	1	1.875	1.81	2.37	1 1/16-12
690-16-16	1	1	1.875	1.81	2.37	1 5/16-12
690-20-16	1 1/4	1	1.875	1.81	2.37	1 5/8-12
690-16-20	1	1 1/4	2.125	2.06	2.76	1 5/16-12
690-20-20	1 1/4	1 1/4	2.125	2.06	2.76	1 5/8-12
690-24-20	1 1/2	1 1/4	2.125	2.19	2.76	1 7/8-12
690-20-24	1 1/4	1 1/2	2.500	2.33	3.15	1 5/8-12
690-24-24	1 1/2	1 1/2	2.500	2.33	3.15	1 7/8-12
690-32-24	2	1 1/2	2.500	3.06	4.25	2 1/2-12
690-24-32	1 1/2	2	3.125	3.06	4.25	1 7/8-12
690-32-32	2	2	3.125	3.06	4.25	2 1/2-12

## 90° ORFS THREAD



CODE 61 90° ORFS THREAD						
PART NO.	TUBE O.D.	FLANGE SIZE	A	B	C	THREAD
394-12-12	3/4	3/4	1.500	1.66	2.13	1 3/16-12
394-16-12	1	3/4	1.500	1.66	2.13	1 7/16-12
394-12-16	3/4	1	1.750	1.81	2.37	1 3/16-12
394-16-16	1	1	1.750	1.81	2.37	1 7/16-12
394-20-16	1 1/4	1	1.750	1.81	2.37	1 11/16-12
394-16-20	1	1 1/4	2.000	2.06	2.62	1 7/16-12
394-20-20	1 1/4	1 1/4	2.000	2.06	2.62	1 11/16-12
394-24-20	1 1/2	1 1/4	2.000	2.06	2.62	2-12
394-20-24	1 1/4	1 1/2	2.375	2.33	3.15	1 11/16-12
394-24-24	1 1/2	1 1/2	2.375	2.33	3.15	2-12
394-24-32	1 1/2	2	2.812	3.06	4.25	2-12

CODE 62 90° ORFS THREAD						
PART NO.	TUBE O.D.	FLANGE SIZE	A	B	C	THREAD
694-12-8	3/4	1/2	1.250	1.66	2.13	1 3/16-12
694-12-12	3/4	3/4	1.625	1.66	2.13	1 3/16-12
694-16-12	1	3/4	1.625	1.66	2.13	1 7/16-12
694-12-16	3/4	1	1.875	1.81	2.37	1 3/16-12
694-16-16	1	1	1.875	1.81	2.37	1 7/16-12
694-20-16	1 1/4	1	1.875	1.81	2.37	1 11/16-12
694-16-20	1	1 1/4	2.125	2.06	2.76	1 7/16-12
694-20-20	1 1/4	1 1/4	2.125	2.06	2.76	1 11/16-12
694-24-20	1 1/2	1 1/4	2.125	2.06	2.76	2-12
694-20-24	1 1/4	1 1/2	2.500	2.33	3.15	1 11/16-12
694-24-24	1 1/2	1 1/2	2.500	2.33	3.15	2-12
694-24-32	1 1/2	2	3.125	3.06	4.25	2-12

FLOW NEEDLE  
& CHECK VALVES

HYDRAULIC  
BALL VALVES

WELD  
COUPLINGS

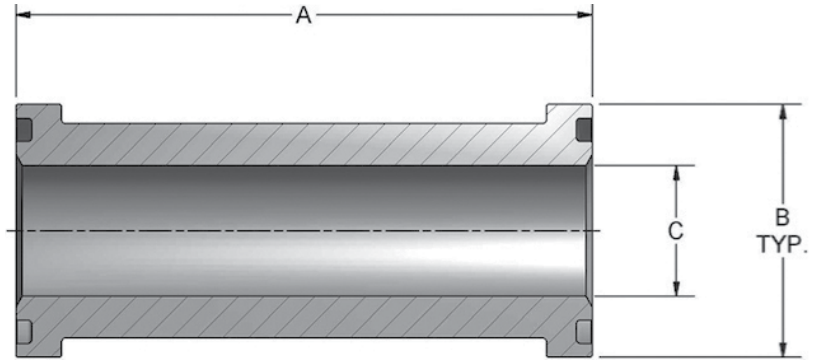
HPU SUCTION &  
RETURN CONNECTIONS

FLANGES  
CARBON STEEL

FLANGES  
STAINLESS STEEL

# Flange Head X Flange Head

- Used to connect two flat faced flanges
- One-piece forged carbon steel construction with Silver Trivalent plating



CODE 61 FLANGE HEAD X FLANGE HEAD				
PART NO.	FLANGE SIZE	A	B	C
301-8-8	0.50	4.00	1.188	0.406
301-12-12	0.75	4.00	1.500	0.656
301-16-16	1.00	4.00	1.750	0.906
301-20-20	1.25	4.00	2.000	1.125
301-24-24	1.50	4.00	2.375	1.375
301-32-32	2.00	4.00	2.812	1.875
301-40-40	2.50	6.00	3.312	2.375
301-48-48	3.00	6.00	4.000	2.875
301-56-56	3.50	6.00	4.500	3.375
301-64-64	4.00	6.00	5.000	3.875

CODE 62 FLANGE HEAD X FLANGE HEAD				
PART NO.	FLANGE SIZE	A	B	C
601-8-8	0.50	4.00	1.250	0.406
601-12-12	0.75	4.00	1.625	0.656
601-16-16	1.00	6.00	1.875	0.810
601-20-20	1.25	6.00	2.125	1.010
601-24-24	1.50	6.00	2.500	1.250
601-32-32	2.00	8.00	3.125	1.750

\*Stainless steel and custom lengths available upon request





# Butt Weld Flange Head

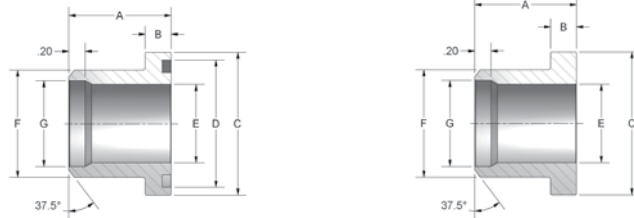


Figure 2

CODE 61 BUTT WELD TO FLANGE HEAD FOR SCHEDULE 40 PIPE										
PART NO. O-RING FIG. 1	PART NO. FLAT FACE FIG. 2	PIPE SIZE	CLAMP SIZE	A	B	C	D	E	F	G
8P-8BWSF-40	8P-8BWSFN-40	.50	.50	1.06	.265	1.188	1.000	.548	.840	.624
12P-12BWSF-40	12P-12BWSFN-40	.75	.75	1.06	.265	1.500	1.250	.744	1.050	.826
16P-16BWSF-40	16P-16BWSFN-40	1.00	1.00	1.25	.315	1.750	1.560	.959	1.315	1.051
20P-20BWSF-40	20P-20BWSFN-40	1.25	1.25	1.44	.315	2.000	1.750	1.280	1.660	1.382
24P-24BWSF-40	24P-24BWSFN-40	1.50	1.50	1.75	.315	2.375	2.115	1.502	1.900	1.612
32P-32BWSF-40	32P-32BWSFN-40	2.00	2.00	2.00	.375	2.812	2.490	1.941	2.375	2.069
40P-40BWSF-40	40P-40BWSFN-40	2.50	2.50	2.31	.375	3.312	2.995	2.325	2.875	2.471
48P-48BWSF-40	48P-48BWSFN-40	3.00	3.00	2.31	.375	4.000	3.615	2.902	3.500	3.070
64P-64BWSF-40	64P-64BWSFN-40	4.00	4.00	1.90	.442	5.000	4.595	3.828	4.500	4.028

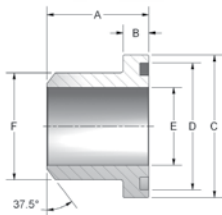


Figure 1

CODE 61 BUTT WELD TO FLANGE HEAD FOR SCHEDULE 80 PIPE										
PART NO. O-RING FIG. 1	PART NO. FLAT FACE FIG. 2	PIPE SIZE	CLAMP SIZE	A	B	C	D	E	F	
8P-8BWSF-80	8P-8BWSFN-80	.50	.50	1.06	.265	1.188	1.000	.548	.840	
12P-12BWSF-80	12P-12BWSFN-80	.75	.75	1.06	.265	1.500	1.250	.744	1.050	
16P-16BWSF-80	16P-16BWSFN-80	1.00	1.00	1.25	.315	1.750	1.560	.959	1.315	
20P-20BWSF-80	20P-20BWSFN-80	1.25	1.25	1.44	.315	2.000	1.750	1.280	1.660	
24P-24BWSF-80	24P-24BWSFN-80	1.50	1.50	1.75	.315	2.375	2.115	1.502	1.900	
32P-32BWSF-80	32P-32BWSFN-80	2.00	2.00	2.00	.375	2.812	2.490	1.941	2.375	
40P-40BWSF-80	40P-40BWSFN-80	2.50	2.50	2.31	.375	3.312	2.995	2.325	2.875	
48P-48BWSF-80	48P-48BWSFN-80	3.00	3.00	2.31	.375	4.000	3.615	2.902	3.500	

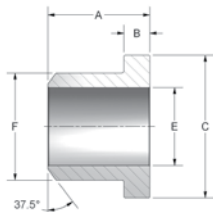


Figure 2

CODE 61 BUTT WELD TO FLANGE HEAD FOR SCHEDULE 160 PIPE										
PART NO. O-RING FIG. 1	PART NO. FLAT FACE FIG. 2	PIPE SIZE	CLAMP SIZE	A	B	C	D	E	F	
8P-8BWSF-160	8P-8BWSFN-160	.50	.50	1.06	.265	1.188	1.000	.464	.840	
12P-12BWSF-160	12P-12BWSFN-160	.75	.75	1.06	.265	1.500	1.250	.612	1.050	
16P-16BWSF-160	16P-16BWSFN-160	1.00	1.00	1.25	.315	1.750	1.560	.815	1.315	
20P-20BWSF-160	20P-20BWSFN-160	1.25	1.25	1.44	.315	2.000	1.750	1.160	1.660	
24P-24BWSF-160	24P-24BWSFN-160	1.50	1.50	1.75	.315	2.375	2.115	1.338	1.900	
32P-32BWSF-160	32P-32BWSFN-160	2.00	2.00	2.00	.375	2.812	2.490	1.687	2.375	
40P-40BWSF-160	40P-40BWSFN-160	2.50	2.50	2.31	.375	3.312	2.995	2.125	2.875	
48P-40BWSF-160	48P-40BWSFN-160	3.00	3.00	2.31	.375	4.000	3.615	2.624	3.500	

# Butt Weld Flange Head

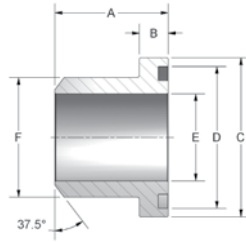


Figure 1

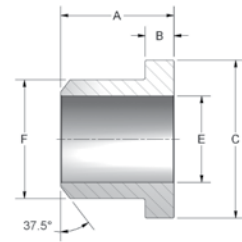


Figure 2

CODE 62 BUTT WELD TO FLANGE HEAD FOR SCHEDULE 80 PIPE									
PART NO. O-RING FIG. 1	PART NO. FLAT FACE FIG. 2	PIPE SIZE	CLAMP SIZE	A	B	C	D	E	F
8P-8BWSFX-80	8P-8BWSFXN-80	.50	.50	1.10	.305	1.250	1.000	.548	.840
12P-12BWSFX-80	12P-12BWSFXN-80	.75	.75	1.42	.345	1.625	1.250	.744	1.050
16P-16BWSFX-80	16P-16BWSFXN-80	1.00	1.00	1.61	.375	1.875	1.560	.959	1.315
20P-20BWSFX-80	20P-20BWSFXN-80	1.25	1.25	1.73	.405	2.125	1.750	1.280	1.660
24P-24BWSFX-80	24P-24BWSFXN-80	1.50	1.50	2.17	.495	2.500	2.115	1.502	1.900
32P-32BWSFX-80	32P-32BWSFXN-80	2.00	2.00	2.48	.495	3.125	2.490	1.941	2.375

CODE 62 BUTT WELD TO FLANGE HEAD FOR SCHEDULE 160 PIPE									
PART NO. O-RING FIG. 1	PART NO. FLAT FACE FIG. 2	PIPE SIZE	CLAMP SIZE	A	B	C	D	E	F
8P-8BWSFX-160	8P-8BWSFXN-160	.50	.50	1.10	.305	1.250	1.000	.464	.840
12P-12BWSFX-160	12P-12BWSFXN-160	.75	.75	1.42	.345	1.625	1.250	.612	1.050
16P-16BWSFX-160	16P-16BWSFXN-160	1.00	1.00	1.61	.375	1.875	1.560	.815	1.315
20P-20BWSFX-160	20P-20BWSFXN-160	1.25	1.25	1.73	.405	2.125	1.750	1.160	1.660
24P-24BWSFX-160	24P-24BWSFXN-160	1.50	1.50	2.17	.495	2.500	2.115	1.338	1.900
32P-32BWSFX-160	32P-32BWSFXN-160	2.00	2.00	2.48	.495	3.125	2.490	1.687	2.375

CODE 62 BUTT WELD TO FLANGE HEAD FOR SCHEDULE XXS PIPE									
PART NO. O-RING FIG. 1	PART NO. FLAT FACE FIG. 2	PIPE SIZE	CLAMP SIZE	A	B	C	D	E	F
8P-8BWSFX-XXS	8P-8BWSFXN-XXS	.50	.50	1.10	.305	1.250	1.000	.252	.840
12P-12BWSFX-XXS	12P-12BWSFXN-XXS	.75	.75	1.42	.345	1.625	1.250	.434	1.050
16P-16BWSFX-XXS	16P-16BWSFXN-XXS	1.00	1.00	1.61	.375	1.875	1.560	.599	1.315
20P-20BWSFX-XXS	20P-20BWSFXN-XXS	1.25	1.25	1.73	.405	2.125	1.750	.896	1.660
24P-24BWSFX-XXS	24P-24BWSFXN-XXS	1.50	1.50	2.17	.495	2.500	2.115	1.100	1.900
32P-32BWSFX-XXS	32P-32BWSFXN-XXS	2.00	2.00	2.48	.495	3.125	2.490	1.503	2.375

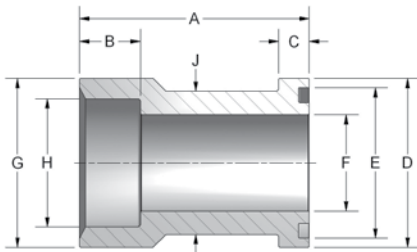




# Female Flange Head Adapter



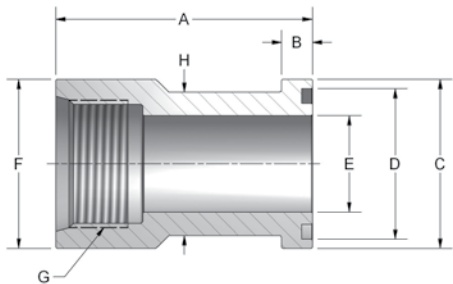
CODE 61 SOCKET WELD TO FLANGE HEAD FOR PIPE											
PART NO.	PIPE SIZE	CLAMP SIZE	A	B	C	D	E	F	G	H	J
8P-8WSF	.50	.50	2.34	.56	.265	1.187	1.000	.500	1.25	.855	.924
12P-12WSF	.75	.75	2.34	.56	.265	1.500	1.250	.750	1.50	1.062	1.234
16P-16WSF	1.00	1.00	2.38	.63	.315	1.750	1.560	1.000	1.75	1.328	1.484
20P-20WSF	1.25	1.25	2.62	.68	.315	2.000	1.750	1.250	2.00	1.672	1.684
24P-24WSF	1.50	1.50	2.88	.76	.315	2.375	2.115	1.500	2.38	1.922	1.964
32P-32WSF	2.00	2.00	3.00	.88	.375	2.812	2.490	2.000	2.81	2.406	2.434
40P-40WSF	2.50	2.50	3.06	1.00	.375	3.312	2.995	2.500	3.31	2.906	2.920
48P-48WSF	3.00	3.00	3.88	1.25	.375	4.000	3.615	2.875	4.00	3.547	3.534



CODE 62 SOCKET WELD TO FLANGE HEAD FOR PIPE											
PART NO.	PIPE SIZE	CLAMP SIZE	A	B	C	D	E	F	G	H	J
W53-12-12	.75	.75	2.75	.630	.345	1.625	1.250	.750	1.750	1.062	1.234
W53-16-16	1.00	1.00	3.06	.630	.375	1.875	1.560	1.000	2.000	1.328	1.484
W53-20-20	1.25	1.25	3.31	.690	.405	2.125	1.750	1.125	2.312	1.672	1.704
W53-24-24	1.50	1.50	3.93	.750	.495	2.500	2.115	1.375	2.750	1.922	1.984
W53-32-32	2.00	2.00	4.06	.880	.495	3.125	2.490	1.875	3.125	2.406	2.604



CODE 61 NPTF THREAD TO FLANGE HEAD										
PART NO.	PIPE SIZE	CLAMP SIZE	A	B	C	D	E	F	G	H
12F-12FO	.75	.75	2.47	.265	1.500	1.250	.75	1.50	.75	1.234
16F-16FO	1.00	1.00	2.66	.315	1.750	1.560	1.00	1.75	1.00	1.484
20F-20FO	1.25	1.25	2.84	.315	2.000	1.750	1.25	2.00	1.25	1.684
24F-24FO	1.50	1.50	3.00	.315	2.375	2.115	1.50	2.38	1.50	1.964
32F-32FO	2.00	2.00	3.00	.375	2.812	2.490	2.00	2.81	2.00	2.434



CODE 61 SAE THREAD TO FLANGE HEAD										
PART NO.	TUBE SIZE	CLAMP SIZE	A	B	C	D	E	F	G	H
12S-12FO	.75	.75	2.47	.265	1.500	1.250	.75	1.50	1 1/16-12	1.234
16S-16FO	1.00	1.00	2.66	.315	1.750	1.560	1.00	1.75	1 5/16-12	1.484
20S-20FO	1.25	1.25	2.84	.315	2.000	1.750	1.25	2.00	1 5/8-12	1.684
24S-24FO	1.50	1.50	3.00	.315	2.375	2.115	1.50	2.38	1 7/8-12	1.964
32S-32FO	2.00	2.00	3.00	.375	2.812	2.490	2.00	2.81	2 1/2-12	2.434

# Tube Flange Head Fitting

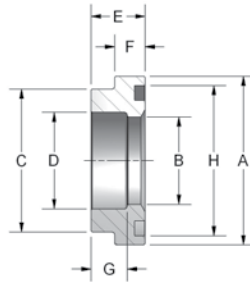


Figure 1

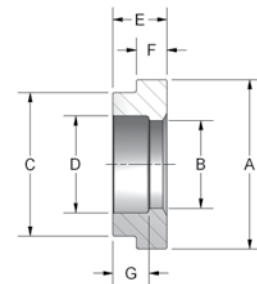


Figure 2

\*For sizes not listed, please consult factory.

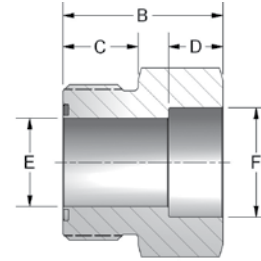
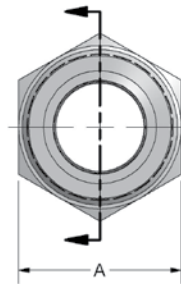
CODE 61 TUBE FLANGE HEAD FITTING											
PART NO. O-RING FIG. 1	PART NO. FLAT FACE FIG. 2	TUBE SIZE	FLANGE SIZE	A	B	C	D	E	F	G	H
8T-8SF	8T-8SFN	.50	.50	1.188	.406	.924	.502	.50	.265	.312	1.000
10T-8SF	10T-8SFN	.63	.50	1.188	.500	.924	.627	.50	.265	.312	1.000
12T-12SF	12T-12SFN	.75	.75	1.500	.656	1.234	.752	.56	.265	.375	1.250
16T-12SF	16T-12SFN	1.00	.75	1.500	.750	1.234	1.002	.56	.265	.375	1.250
16T-16SF	16T-16SFN	1.00	1.00	1.750	.906	1.484	1.002	.56	.315	.375	1.560
20T-16SF	20T-16SFN	1.25	1.00	1.750	1.000	1.484	1.252	.56	.315	.375	1.560
20T-20SF	20T-20SFN	1.25	1.25	2.000	1.125	1.684	1.252	.56	.315	.375	1.750
24T-20SF	24T-20SFN	1.50	1.25	2.000	1.250	1.684	1.502	.56	.315	.375	1.750
24T-24SF	24T-24SFN	1.50	1.50	2.375	1.375	1.964	1.502	.62	.315	.438	2.115
28T-24SF	28T-24SFN	1.75	1.50	2.375	1.500	1.964	1.752	.62	.315	.438	2.115
32T-32SF	32T-32SFN	2.00	2.00	2.812	1.875	2.434	2.002	.62	.375	.500	2.490
36T-32SF	36T-32SFN	2.25	2.00	2.812	2.000	2.434	2.252	.62	.375	.437	2.490
40T-40SF	40T-40SFN	2.50	2.50	3.312	2.375	2.904	2.502	.68	.375	.562	2.995
44T-40SF	44T-40SFN	2.75	2.50	3.312	2.500	2.904	2.752	.68	.375	.500	2.995
48T-48SF	48T-48SFN	3.00	3.00	4.000	2.875	3.534	3.002	.75	.375	.562	3.615
56T-56SF	56T-56SFN	3.50	3.50	4.500	3.380	3.980	3.502	.88	.440	.750	4.100
64T-64SF	64T-64SFN	4.00	4.00	5.000	3.880	4.480	4.040	1.00	.440	.810	4.600
80T-80SF	80T-80SFN	5.00	5.00	6.000	4.880	5.480	5.002	1.13	.440	.940	5.600

CODE 62 TUBE FLANGE HEAD FITTING											
PART NO. O-RING FIG. 1	PART NO. FLAT FACE FIG. 2	TUBE SIZE	FLANGE SIZE	A	B	C	D	E	F	G	H
12T-12SFX	12T-12SFXN	.75	.75	1.625	.656	1.234	.752	.69	.345	.500	1.250
16T-12SFX	16T-12SFXN	1.00	.75	1.625	.750	1.234	1.002	.69	.345	.500	1.250
16T-16SFX	16T-16SFXN	1.00	1.00	1.875	.810	1.484	1.002	.81	.375	.625	1.560
20T-16SFX	20T-16SFXN	1.25	1.00	1.875	1.000	1.484	1.252	.81	.375	.625	1.560
20T-20SFX	20T-20SFXN	1.25	1.25	2.125	1.010	1.704	1.252	1.00	.405	.812	1.750
24T-20SFX	24T-20SFXN	1.50	1.25	2.125	1.250	1.704	1.502	1.00	.405	.812	1.750
24T-24SFX	24T-24SFXN	1.50	1.50	2.500	1.250	1.984	1.502	1.19	.495	1.000	2.115
28T-24SFX	28T-24SFXN	1.75	1.50	2.500	1.500	1.984	1.757	1.19	.495	1.000	2.115
32T-32SFX	32T-32SFXN	2.00	2.00	3.125	1.750	2.604	2.002	1.50	.495	1.375	2.490
36T-32SFX	36T-32SFXN	2.25	2.00	3.125	2.000	2.604	2.252	1.50	.495	1.312	2.490



# Braze-On Tube Fittings

- AISI 1020 Carbon Steel Material
- Natural Finish
- O-Ring groove per SAE J1453
- O-Ring not included

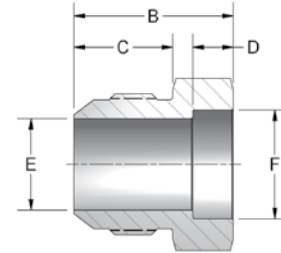


BRAZE-ON TUBE FITTINGS								
PART NO.	TUBE SIZE	ORFS THREAD SIZE	A	B	C	D	E	F
1453-04-04	1/4"	9/16"-18	.625	.780	.394	.250	.177	.252
1453-05-04	5/16"	9/16"-18	.625	.780	.394	.250	.177	.315
1453-06-04	3/8"	9/16"-18	.750	.780	.394	.250	.177	.377
1453-06-06	3/8"	11/16"-16	.750	.830	.264	.250	.256	.377
1453-08-06	1/2"	11/16"-16	.875	.950	.264	.375	.256	.502
1453-08-08	1/2"	13/16"-16	.875	1.010	.378	.375	.374	.502
1453-10-08	5/8"	13/16"-16	.937	1.060	.378	.375	.374	.627
1453-12-08	3/4"	13/16"-16	1.125	1.040	.378	.375	.374	.752
1453-14-08	7/8"	13/16"-16	1.250	1.09	.378	.375	.374	.877
1453-10-10	5/8"	1"-14	1.062	1.120	.610	.375	.492	.627
1453-12-10	3/4"	1"-14	1.125	1.150	.610	.375	.492	.752
1453-16-10	1"	1"-14	1.375	1.340	.610	.500	.492	1.002
1453-12-12	3/4"	1-3/16"-12	1.250	1.210	.670	.375	.609	.752
1453-14-12	7/8"	1-3/16"-12	1.250	1.210	.670	.375	.609	.877
1453-16-12	1"	1-3/16"-12	1.500	1.450	.670	.500	.609	1.002
1453-16-16	1"	1-7/16"-12	1.500	1.470	.689	.500	.807	1.002
1453-20-16	1-1/4"	1-7/16"-12	1.750	1.470	.689	.500	.807	1.252
1453-20-20	1-1/4"	1-11/16"-12	1.750	1.470	.689	.500	1.024	1.252
1453-24-20	1-1/2"	1-11/16"-12	2.000	1.470	.689	.500	1.024	1.502
1453-24-24	1-1/2"	2"-12	2.125	1.470	.689	.500	1.260	1.502
1453-28-24	1-3/4"	2"-12	2.125	1.470	.689	.531	1.260	1.752

# JIC Braze-On Fittings



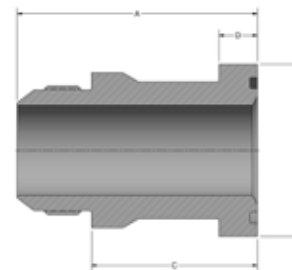
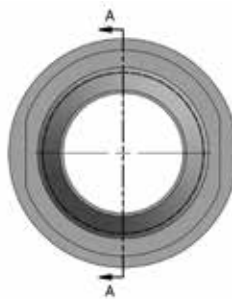
- AISI 1020 Carbon Steel Material
- Natural Finish
- 37° Male JIC per SAE J514



JIC BRAZE-ON								
PART NO.	TUBE SIZE	JIC THREAD SIZE	A	B	C	D	E	F
51437-6-6	3/8"	9/16"-18	.625	.906	.556	.250	.297	.377
51437-8-8	1/2"	3/4"-16	.813	1.063	.657	.250	.391	.502
51437-12-12	3/4"	1 1/16"-12	1.125	1.344	.864	.312	.609	.752

# CAT-Style Split Flange Adapters

- For use with CAT-Style Split Flanges



CAT-STYLE JIC THREAD								
PART NO.	TUBE O.D.	FLANGE SIZE	A	B	C	D	THREAD	O-RING
609-12-12	3/4"	3/4"	2.750	1.625	1.890	0.560	1 1/16-12"	214
609-16-16	1"	1"	2.800	1.875	1.890	0.560	1 5/16-12"	219
609-20-20	1 1/4"	1 1/4"	3.050	2.125	2.090	0.560	1 5/8-12"	222
609-24-24	1 1/2"	1 1/2"	3.500	2.500	2.420	0.560	1 7/8-12"	225

\* Additional sizes and configurations available upon request

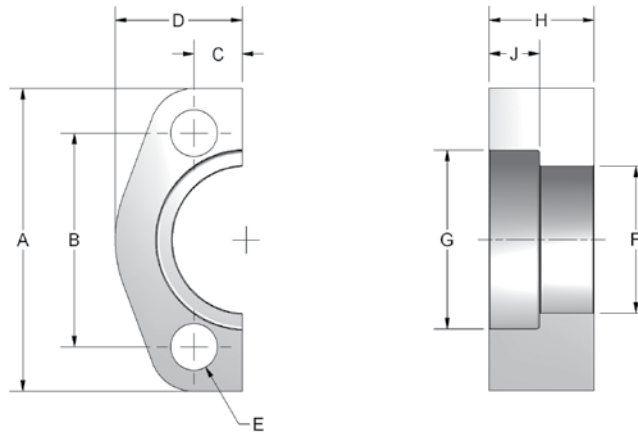


# CAT-Style Split Flanges



Fits Caterpillar Flange Head ends only

\* CAT-Style Flange Plugs also available.  
Consult factory for details.



PTX SERIES SPLIT FLANGES												
PART NO.	**KIT PART NO.	FLANGE SIZE	A	B	C	D	E	F	G	H	J	MOUNTING HARDWARE
												HHCS
12PTX-2	12PTXO	.75	2.950	2.000	.446	1.210	.406	1.270	1.632	1.102	.530	3/8-16X1.75
16PTX-2	16PTXO	1.00	3.190	2.250	.507	1.335	.469	1.550	1.884	1.102	.530	7/16-14X1.75
20PTX-2	20PTXO	1.25	3.750	2.625	.585	1.490	.531	1.705	2.134	1.102	.530	1/2-13X2.00
24PTX-2	24PTXO	1.50	4.440	3.125	.679	1.335	.656	2.080	2.509	1.258	.530	5/8-11X2.50
32PTX-2	32PTXO	2.00	5.240	3.812	.834	2.205	.827	2.640	3.130	1.457	.530	3/4-10X2.75

\*\*When ordering this part # you will receive:(2) split flange halves, (4) hex head bolts and lockwashers. NO O-RING INCLUDED.

# Flange Plug

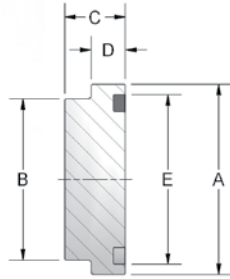


Figure 1

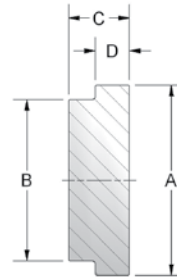
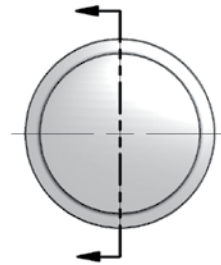


Figure 2

CODE 61 FLANGE PLUG							
PART NO. O-RING FIG. 1	PART NO. FLAT FACE FIG. 2	FLANGE SIZE	A	B	C	D	E
8FOP	8FP	.50	1.188	.924	.50	.265	1.000
12FOP	12FP	.75	1.500	1.234	.56	.265	1.250
16FOP	16FP	1.00	1.750	1.484	.56	.315	1.560
20FOP	20FP	1.25	2.000	1.684	.56	.315	1.750
24FOP	24FP	1.50	2.375	1.964	.62	.315	2.115
32FOP	32FP	2.00	2.810	2.434	.62	.375	2.490
40FOP	40FP	2.50	3.312	2.904	.68	.375	2.995
48FOP	48FP	3.00	4.000	3.534	.75	.375	3.615

CODE 62 FLANGE PLUG							
PART NO. O-RING FIG. 1	PART NO. FLAT FACE FIG. 2	FLANGE SIZE	A	B	C	D	E
12FOPX	12FPX	.75	1.625	1.234	.690	.345	1.250
16FOPX	16FPX	1.00	1.875	1.484	.810	.375	1.560
20FOPX	20FPX	1.25	2.125	1.704	1.000	.405	1.750
24FOPX	24FPX	1.50	2.500	1.984	1.190	.495	2.115
32FOPX	32FPX	2.00	3.125	2.604	1.500	.495	2.490

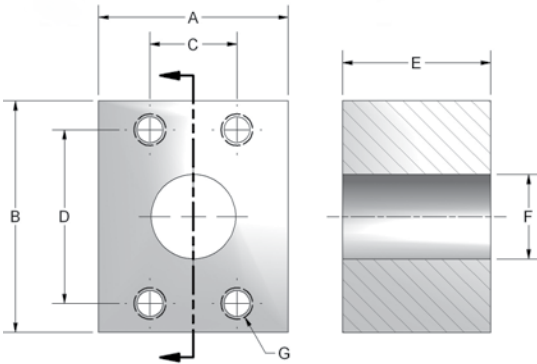


# Connector Block & Plate



Used to connect two o-ring flanges

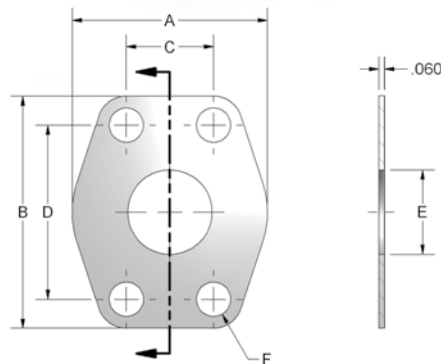
CODE 61 CONNECTOR BLOCK								
PART NO.	PAD SIZE	A	B	C	D	E	F	G UNC-2B
ACB 8-8	.50	2.00	2.12	.688	1.500	1.75	.502	5/16-18
ACB 12-12	.75	2.00	2.62	.875	1.875	1.75	.752	3/8-16
ACB 16-16	1.00	2.25	2.75	1.031	2.062	1.75	1.002	3/8-16
ACB 20-20	1.25	3.00	3.19	1.188	2.312	2.125	1.252	7/16-14
ACB 24-24	1.50	3.50	3.75	1.406	2.750	2.125	1.502	1/2-13
ACB 32-32	2.00	3.88	4.00	1.688	3.062	2.125	1.942	1/2-13
ACB 40-40	2.50	4.38	4.50	2.000	3.500	2.375	2.442	1/2-13



CODE 62 CONNECTOR BLOCK								
PART NO.	PAD SIZE	A	B	C	D	E	F	G UNC-2B
ACBX 8-8	.50	2.00	2.22	.718	1.594	1.75	.502	5/16-18
ACBX 12-12	.75	2.50	2.81	.937	2.000	2.00	.752	3/8-16
ACBX 16-16	1.00	2.75	3.19	1.093	2.250	2.00	1.002	7/16-14
ACBX 20-20	1.25	3.00	3.75	1.250	2.625	2.00	1.252	1/2-13
ACBX 24-24	1.50	3.88	4.50	1.437	3.125	2.50	1.502	5/8-11
ACBX 32-32	2.00	4.50	5.25	1.750	3.812	2.95	1.942	3/4-10

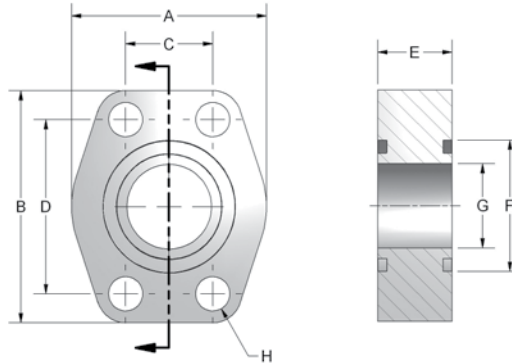
CODE 61 CONNECTOR PLATE							
PART NO.	PAD SIZE	A	B	C	D	E	F
8 CP	.50	1.81	2.12	.688	1.500	.50	.344
12 CP	.75	2.06	2.56	.875	1.875	.75	.406
16 CP	1.00	2.31	2.75	1.031	2.062	1.00	.406
20 CP	1.25	2.88	3.12	1.188	2.312	1.25	.469
24 CP	1.50	3.25	3.69	1.406	2.750	1.50	.531
32 CP	2.00	3.81	4.00	1.688	3.062	2.00	.531
40 CP	2.50	4.12	4.44	2.000	3.500	2.50	.531
48 CP	3.00	5.16	5.31	2.438	4.188	3.00	.656

CODE 62 CONNECTOR PLATE							
PART NO.	PAD SIZE	A	B	C	D	E	F
12 CPX	.75	2.38	2.81	.937	2.000	.750	.406
16 CPX	1.00	2.75	3.19	1.093	2.250	1.000	.469
20 CPX	1.25	3.06	3.75	1.250	2.625	1.250	.531
24 CPX	1.50	3.75	4.44	1.437	3.125	1.500	.656
32 CPX	2.00	4.50	5.25	1.750	3.812	2.000	.781



# Double O-Ring Union

Used to connect two flat faced flanges



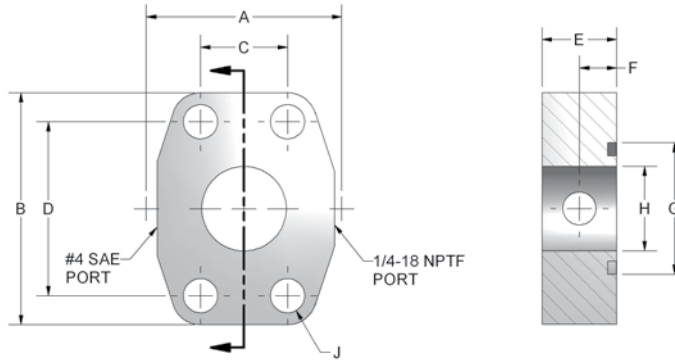
CODE 61 DOUBLE O-RING SPACER									
PART NO.	PAD SIZE	A	B	C	D	E	F	G	H
ADOS-8-8	.50	1.813	2.125	.688	1.50	.75	1.000	.502	.344
ADOS-12-12	.75	2.063	2.563	.875	1.875	.75	1.250	.752	.406
ADOS-16-16	1.00	2.313	2.750	1.031	2.063	.88	1.560	1.002	.406
ADOS-20-20	1.25	2.875	3.125	1.188	2.313	.94	1.750	1.252	.469
ADOS-24-24	1.50	3.250	3.688	1.406	2.750	1.19	2.115	1.502	.531
ADOS-32-32	2.00	3.813	4.000	1.688	3.063	1.44	2.490	2.002	.531
ADOS-40-40	2.50	4.281	4.500	2.000	3.500	1.82	2.995	2.502	.531
ADOS-48-48	3.00	5.156	5.313	2.438	4.188	2.19	3.615	3.002	.656
ADOS-56-56	3.50	5.500	6.000	2.750	4.750	1.44	4.095	3.502	.656
ADOS-64-64	4.00	6.00	6.38	3.062	5.125	1.44	4.595	4.002	.656

CODE 62 DOUBLE O-RING SPACER									
PART NO. O-RING	PAD SIZE	A	B	C	D	E	F	G	H
ADOSX-8-8	.500	1.94	2.30	.718	1.594	1.25	1.000	.502	.344
ADOSX-12-12	.750	2.50	2.95	.937	2.000	1.25	1.250	.752	.406
ADOSX-16-16	1.00	2.75	3.19	1.093	2.250	1.50	1.560	1.002	.492
ADOSX-20-20	1.25	3.06	3.75	1.250	2.625	1.43	1.750	1.252	.531
ADOSX-24-24	1.50	3.75	4.44	1.437	3.125	1.82	2.115	1.502	.656
ADOSX-32-32	2.00	4.50	5.25	1.750	3.812	1.82	2.490	2.002	.781
ADOSX-40-40	2.50	5.87	6.87	2.311	4.874	1.93	2.995	2.502	.906
ADOSX-48-48	3.00	7.00	8.50	2.811	6.000	2.69	3.615	3.002	1.156





# Gage Port Spacer



Includes O-ring and plugs for both ports

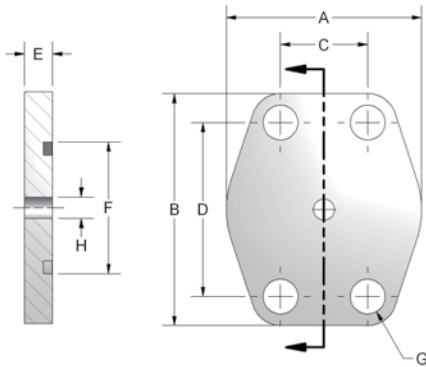
CODE 61 GAGE PORT O-RING SPACER										
PART NO.	PAD SIZE	A	B	C	D	E	F	G	H	J
AS-8-GP	.50	1.82	2.16	.688	1.500	1.25	.62	1.000	.502	.344
AS-12-GP	.75	2.06	2.69	.875	1.875	1.25	.62	1.250	.752	.406
AS-16-GP	1.00	2.31	2.75	1.031	2.062	.88	.44	1.560	1.002	.406
AS-20-GP	1.25	2.87	3.12	1.188	2.312	.94	.47	1.750	1.252	.469
AS-24-GP	1.50	3.25	3.68	1.406	2.750	1.19	.59	2.115	1.502	.531
AS-32-GP	2.00	3.81	4.00	1.688	3.062	1.38	.69	2.490	2.002	.531
AS-40-GP	2.50	4.28	4.50	2.000	3.500	1.75	.88	2.995	2.502	.531
AS-48-GP	3.00	5.15	5.31	2.438	4.188	2.12	1.06	3.615	3.002	.656
AS-56-GP	3.50	5.50	6.00	2.750	4.750	1.44	.720	4.095	3.502	.656
AS-64-GP	4.00	6.00	6.38	3.062	5.125	1.50	.750	4.595	4.002	.656

CODE 62 GAGE PORT O-RING SPACER										
PART NO.	PAD SIZE	A	B	C	D	E	F	G	H	J
ASX-8-GP	.50	1.94	2.30	.718	1.594	1.25	.62	1.000	.502	.344
ASX-12-GP	.75	2.50	2.95	.937	2.000	1.25	.62	1.250	.752	.406
ASX-16-GP	1.00	2.75	3.19	1.093	2.250	1.50	.75	1.560	1.002	.492
ASX-20-GP	1.25	3.06	3.75	1.250	2.625	1.50	.75	1.750	1.252	.531
ASX-24-GP	1.50	3.75	4.44	1.437	3.125	1.75	.88	2.115	1.502	.656
ASX-32-GP	2.00	4.50	5.25	1.750	3.812	1.75	.88	2.490	2.002	.781
ASX-40-GP	2.50	5.87	6.87	2.311	4.874	2.06	1.03	2.995	2.502	.906
ASX-48-GP	3.00	7.00	8.50	2.811	6.000	2.62	1.31	3.615	3.002	1.156

# Orifice Plate



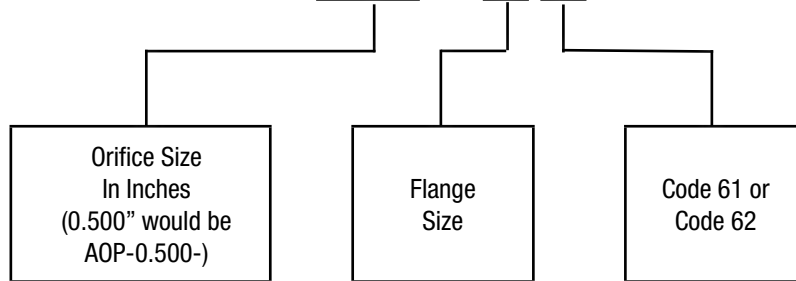
CODE 61 ORIFICE PLATE									
PART NO.	PAD SIZE	A	B	C	D	E	F	G	H DIA.
AOP-___-0861	.50	1.81	2.12	.688	1.500	.33	1.000	.344	CUSTOMER SPECIFIED
AOP-___-1261	.75	2.06	2.56	.875	1.875	.33	1.250	.413	
AOP-___-1661	1.00	2.31	2.75	1.031	2.063	.33	1.560	.413	
AOP-___-2061	1.25	2.88	3.12	1.188	2.313	.33	1.750	.469	
AOP-___-2461	1.50	3.25	3.69	1.406	2.750	.33	2.115	.531	
AOP-___-3261	2.00	3.81	4.00	1.688	3.063	.33	2.490	.531	
AOP-___-4061	2.50	4.28	4.50	2.000	3.500	.33	2.995	.531	
AOP-___-4861	3.00	5.16	5.31	2.438	4.188	.33	3.615	.656	
AOP-___-5661	3.50	5.50	6.00	2.750	4.750	.33	4.095	.656	
AOP-___-6461	4.00	6.00	6.38	3.062	5.125	.33	4.595	.656	



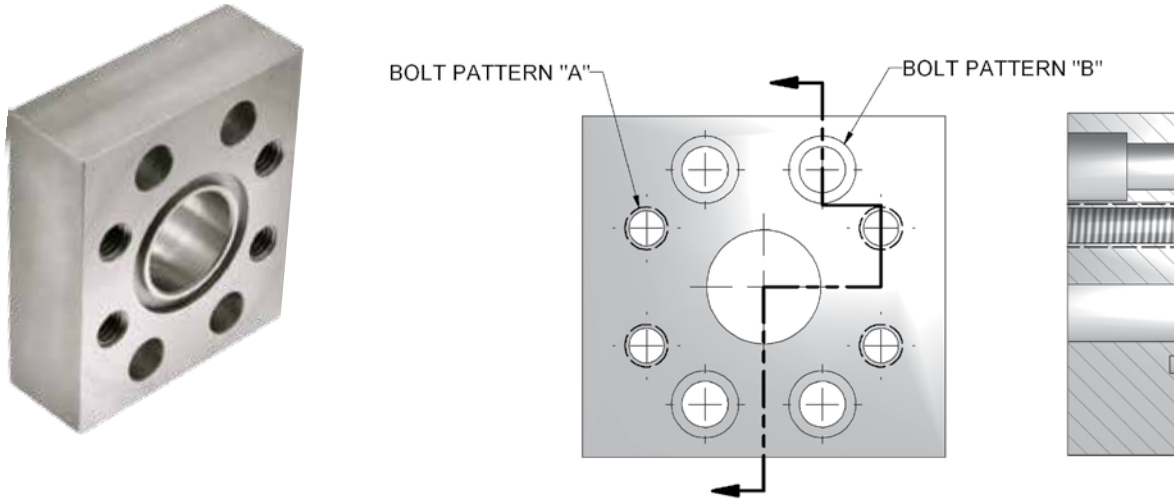
CODE 62 ORIFICE PLATE									
PART NO.	PAD SIZE	A	B	C	D	E	F	G	H DIA.
AOPX-___-0862	.50	1.94	2.19	.718	1.594	.33	1.000	.354	CUSTOMER SPECIFIED
AOPX-___-1262	.75	2.50	2.81	.937	2.000	.33	1.250	.433	
AOPX-___-1662	1.00	2.75	3.19	1.093	2.250	.33	1.560	.531	
AOPX-___-2062	1.25	3.06	3.75	1.250	2.625	.33	1.750	.610	
AOPX-___-2462	1.50	3.75	4.44	1.437	3.125	.33	2.115	.689	
AOPX-___-3262	2.00	4.50	5.25	1.750	3.812	.33	2.490	.866	

## ORDERING INFORMATION

AOP - 0.500 - 32 61



# Bolt Pattern Adapters

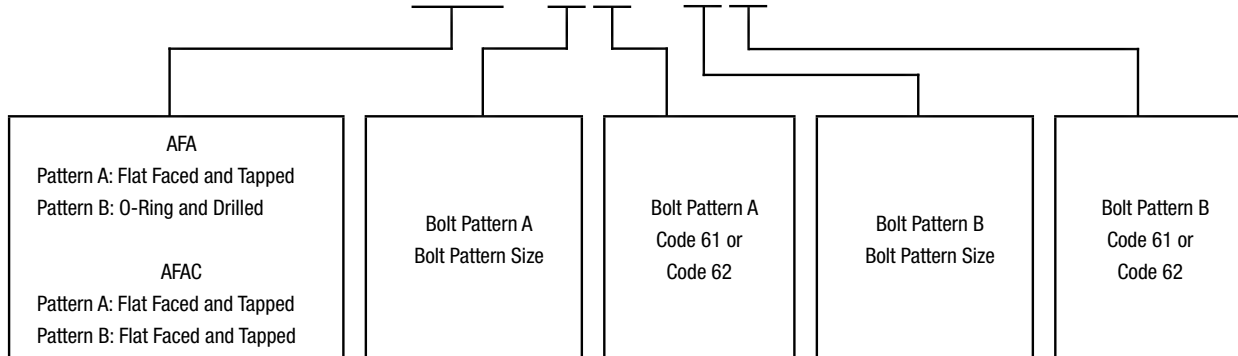


Outer envelope shape may vary due to size configuration.

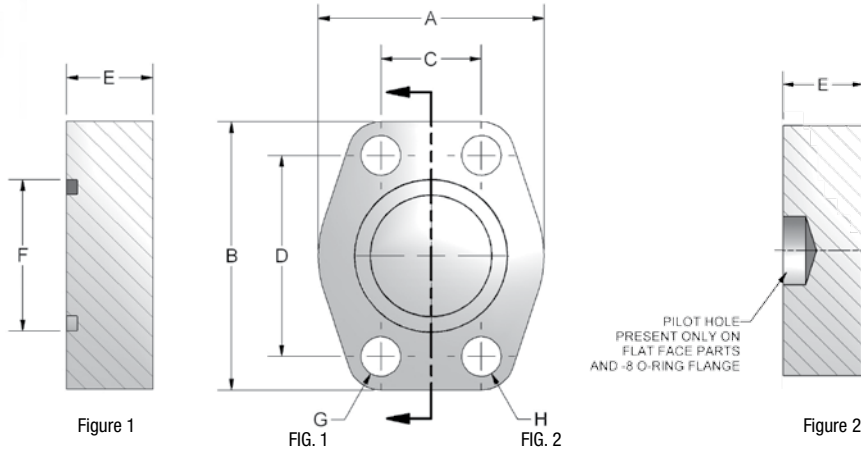
Mounting kit available on o-ring grooved flanges by simply adding suffix letter 'U' to part number.

## ORDERING INFORMATION

**AFA - 1261 - 3262**



# Blanking



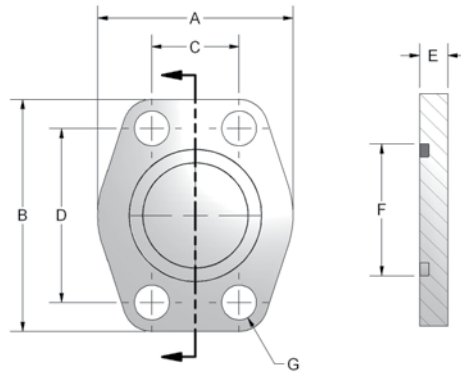
CODE 61 BLANKING												
PART NO. O-RING FIG. 1	PART NO. FLAT FACE FIG. 2	PAD SIZE	A	B	C	D	E	F	G	H UNC-2B	MOUNTING HARDWARE	
											O-RING	SHCS
W36-8-8	W37-8-8	.50	1.813	2.125	.688	1.50	.75	1.000	.344	5/16-18	210	5/16-18X1.50
W36-12-12	W37-12-12	.75	2.063	2.563	.875	1.875	.75	1.250	.406	3/8-16	214	3/8-16X1.50
W36-16-16	W37-16-16	1.00	2.313	2.750	1.031	2.063	.88	1.560	.406	3/8-16	219	3/8-16X1.75
W36-20-20	W37-20-20	1.25	2.875	3.125	1.188	2.313	.94	1.750	.469	7/16-14	222	7/16-14X1.75
W36-24-24	W37-24-24	1.50	3.250	3.688	1.406	2.750	1.19	2.115	.531	1/2-13	225	1/2-13X2.25
W36-32-32	W37-32-32	2.00	3.813	4.000	1.688	3.063	1.44	2.490	.531	1/2-13	228	1/2-13X2.50
W36-40-40	W37-40-40	2.50	4.281	4.500	2.000	3.500	1.82	2.995	.531	1/2-13	232	1/2-13X2.75
W36-48-48	W37-48-48	3.00	5.156	5.313	2.438	4.188	2.19	3.615	.656	5/8-11	237	5/8-11X3.50
W36-56-56	W37-56-56	3.50	5.500	6.000	2.750	4.750	1.44	4.095	.656	5/8-11	241	5/8-11X2.75
W36-64-64	W37-64-64	4.00	6.00	6.38	3.062	5.125	1.44	4.595	.656	5/8-11	245	5/8-11X2.75
W36-80-80	W37-80-80	5.00	7.12	7.25	3.625	6.000	1.75	5.595	.656	5/8-11	253	5/8-11X3.00

CODE 62 BLANKING												
PART NO. O-RING FIG. 1	PART NO. FLAT FACE FIG. 2	PAD SIZE	A	B	C	D	E	F	G	H UNC-2B	MOUNTING HARDWARE	
											O-RING	SHCS
W38-8-8	W39-8-8	.500	1.94	2.30	.718	1.594	1.25	1.000	.344	5/16-18	210	5/16-18X2.00
W38-12-12	W39-12-12	.750	2.50	2.95	.937	2.000	1.25	1.250	.406	3/8-16	214	3/8-16X2.00
W38-16-16	W39-16-16	1.00	2.75	3.19	1.093	2.250	1.50	1.560	.492	7/16-14	219	7/16-14X2.50
W38-20-20	W39-20-20	1.25	3.06	3.75	1.250	2.625	1.43	1.750	.531	1/2-13	222	1/2-13X2.50
W38-24-24	W39-24-24	1.50	3.75	4.44	1.437	3.125	1.82	2.115	.656	5/8-11	225	5/8-11X3.00
W38-32-32	W39-32-32	2.00	4.50	5.25	1.750	3.812	1.82	2.490	.781	3/4-10	228	3/4-10X3.00
W38-40-40	W39-40-40	2.50	5.87	6.87	2.311	4.874	1.93	2.995	.906	7/8-9	232	7/8-9X3.50
W38-48-48	W39-48-48	3.00	7.00	8.50	2.811	6.000	2.69	3.615	1.190	1 1/8-7	237	1 1/8-7X4.50

Mounting kit available on o-ring grooved flanges by simply adding suffix letter 'U' to part number.



# Zero PSI Shipping Plate



Anchor Fluid Power has developed a low cost solution to leaky, gasketless port covers. Forged steel shipping plates are 0.33" thick, silver trivalent plated for resistance to oxidation, and incorporate an o-ring groove on one side for "Zero Pressure" applications. The opposite side has a machined flat-face for capping off hose ends.

Applications Include: Cylinder Port Covers, Pump Port Covers, Stub-Out Header Line Covers, Maintenance Work and Great for Painting Protection

CODE 61 SHIPPING PLATE											
PART NO.	**KIT PART NO.	PAD SIZE	A	B	C	D	E	F	G	MOUNTING HARDWARE	
										O-RING	HHCS
SP-8	SP-8U	.50	1.81	2.12	.688	1.500	.33	1.000	.344	210	5/16-18X.75
SP-12	SP-12U	.75	2.06	2.56	.875	1.875	.33	1.250	.413	214	3/8-16X.75
SP-16	SP-16U	1.00	2.31	2.75	1.031	2.063	.33	1.560	.413	219	3/8-16X.75
SP-20	SP-20U	1.25	2.88	3.12	1.188	2.313	.33	1.750	.469	222	7/16-14X.75
SP-24	SP-24U	1.50	3.25	3.69	1.406	2.750	.33	2.115	.531	225	1/2-13X.75
SP-32	SP-32U	2.00	3.81	4.00	1.688	3.063	.33	2.490	.531	228	1/2-13X.75
SP-40	SP-40U	2.50	4.28	4.50	2.000	3.500	.33	2.995	.531	232	1/2-13X.75
SP-48	SP-48U	3.00	5.16	5.31	2.438	4.188	.33	3.615	.656	237	5/8-11X1.00
SP-56	SP-56U	3.50	5.50	6.00	2.750	4.750	.33	4.095	.656	241	5/8-11X1.00
SP-64	SP-64U	4.00	6.00	6.38	3.062	5.125	.33	4.595	.656	245	5/8-11X1.00

CODE 62 SHIPPING PLATE											
PART NO.	**KIT PART NO.	PAD SIZE	A	B	C	D	E	F	G	MOUNTING HARDWARE	
										O-RING	HHCS
SPX-8	SPX-8U	.50	1.94	2.19	.718	1.594	.33	1.000	.354	210	5/16-18X.75
SPX-12	SPX-12U	.75	2.50	2.81	.937	2.000	.33	1.250	.433	214	3/8-16X.75
SPX-16	SPX-16U	1.00	2.75	3.19	1.093	2.250	.33	1.560	.531	219	7/16-14X.75
SPX-20	SPX-20U	1.25	3.06	3.75	1.250	2.625	.33	1.750	.610	222	1/2-13X.75
SPX-24	SPX-24U	1.50	3.75	4.44	1.437	3.125	.33	2.115	.689	225	5/8-11X1.00
SPX-32	SPX-32U	2.00	4.50	5.25	1.750	3.812	.33	2.490	.866	228	3/4-10X1.00
SPX-40	SPX-40U	2.50	5.87	6.87	2.311	4.874	.33	2.995	0.984	232	7/8-9X1.00
SPX-48	SPX-48U	3.00	7.00	8.50	2.811	6.00	.33	3.615	1.19	237	1 1/8-7X1.00

\*\*When ordering this part # you will receive:(1) shipping plate, (4) hex head bolts, and (1) Buna N O-Ring

**NOT FOR USE ON DYNAMIC OR PRESSURIZED APPLICATIONS**

# NPTF Thread

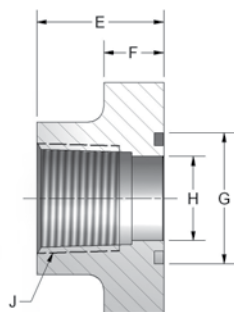


Figure 1

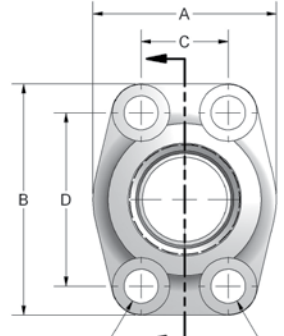


FIG. 1

FIG. 2

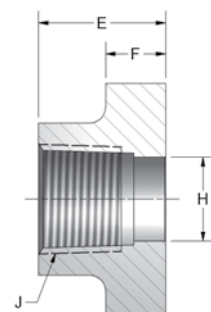


Figure 2

\*No Spotface

CODE 61 NPTF THREAD																
PART NO. O-RING FIG. 1	PART NO. FLAT FACE FIG. 2	PORT SIZE	PAD SIZE	A	B	C	D	E	F	G	H	J	K	L UNC-2B	MOUNTING HARDWARE	
															O-RING	SHCS
W43-8-8	W104-8-8	.50	.50	1.81	2.13	.688	1.500	1.42	.63	1.000	.502	1/2-14	.344	5/16-18	210	5/16-18X1.25
W43-12-12	W104-12-12	.75	.75	1.97	2.56	.875	1.875	1.42	.71	1.250	.752	3/4-14	.406	3/8-16	214	3/8-16X1.50
W43-16-16	W104-16-16	1.00	1.00	2.17	2.75	1.031	2.062	1.50	.71	1.560	1.002	1-11.5	.406	3/8-16	219	3/8-16X1.50
W43-20-20	W104-20-20	1.25	1.25	2.68	3.12	1.188	2.312	1.61	.83	1.750	1.252	1 1/4-11.5	.469	7/16-14	222	7/16-14X1.75
W43-24-24	W104-24-24	1.50	1.50	3.07	3.66	1.406	2.750	1.77	.98	2.115	1.502	1 1/2-11.5	.531	1/2-13	225	1/2-13X1.75
W43-32-32	W104-32-32	2.00	2.00	3.54	4.00	1.688	3.062	1.77	.98	2.490	2.002	2-11.5	.531	1/2-13	228	1/2-13X1.75
W43-40-40	W104-40-40	2.50	2.50	4.09	4.49	2.000	3.500	1.97	.98	2.995	2.502	2 1/2-8	.531	1/2-13	232	1/2-13X1.75
W43-48-48	W104-48-48	3.00	3.00	4.88	5.28	2.438	4.188	1.97	1.06	3.615	3.002	3-8	.656	5/8-11	237	5/8-11X2.00
W43-56-56	W104-56-56	3.50	3.50	5.35	5.98	2.750	4.750	2.19	1.06	4.095	3.500	3 1/2-8	.656	5/8-11	241	5/8-11X2.00
W43-64-64	W104-64-64	4.00	4.00	5.75	6.38	3.062	5.125	2.19	1.06	4.595	3.940	4-8	.656	5/8-11	245	5/8-11X2.00

CODE 62 NPTF THREAD																
PART NO. O-RING FIG. 1	PART NO. FLAT FACE FIG. 2	PORT SIZE	PAD SIZE	A	B	C	D	E	F	G	H	J	K	L UNC-2B	MOUNTING HARDWARE	
															O-RING	SHCS
W44-8-8	W45-8-8	.50	.50	1.81	2.21	.718	1.594	1.42	.63	1.000	.502	1/2-14	.344	5/6-18	210	5/16-18X1.25
W44-12-12	W45-12-12	.75	.75	2.17	2.80	.937	2.000	1.38	.83	1.250	.752	3/4-14	.406	3/8-16	214	3/8-16X1.50
W44-16-16	W45-16-16	1.00	1.00	2.56	3.19	1.093	2.250	1.65	.98	1.560	1.002	1-11.5	.492	7/16-14	219	7/16-14X1.75
W44-20-20	W45-20-20	1.25	1.25	3.07	3.75	1.250	2.625	1.77	1.06	1.750	1.252	1 1/4-11.5	.531	1/2-13	222	1/2-13X1.75
W44-24-24	W45-24-24	1.50	1.50	3.70	4.41	1.437	3.125	1.97	1.18	2.115	1.502	1 1/2-11.5	.656	5/8-11	225	5/8-11X2.25
W44-32-32	W45-32-32	2.00	2.00	4.50	5.28	1.750	3.812	2.56	1.46	2.490	2.002	2-11.5	.781	3/4-10	228	3/4-10X2.75

Mounting kit available on o-ring grooved flanges by simply adding suffix letter 'U' to part number.



# SAE Thread

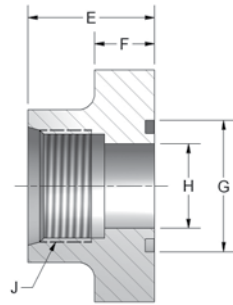


Figure 1

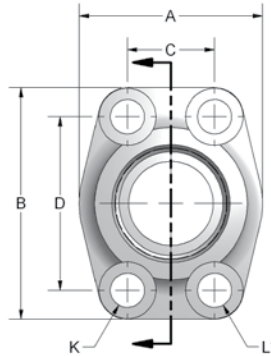


FIG. 1

FIG. 2

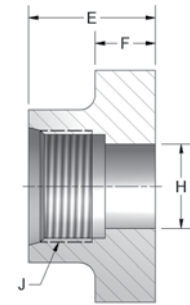


Figure 2

\*No Spotface

CODE 61 SAE STRAIGHT THREAD																
PART NO. O-RING FIG. 1	PART NO. FLAT FACE FIG. 2	PORT SIZE	PAD SIZE	A	B	C	D	E	F	G	H	J	K	L UNC-2B	MOUNTING HARDWARE	
															O-RING	SHCS
W46-8-8	W106-8-8	.50	.50	1.81	2.13	.688	1.500	1.42	.63	1.000	.502	3/4-16	.344	5/16-18	210	5/16-18X1.25
W46-12-12	W106-12-12	.75	.75	1.97	2.56	.875	1.875	1.42	.71	1.250	.752	1 1/16-12	.406	3/8-16	214	3/8-16X1.50
W46-16-16	W106-16-16	1.00	1.00	2.17	2.75	1.031	2.062	1.50	.71	1.560	1.002	1 5/16-12	.406	3/8-16	219	3/8-16X1.50
W46-20-20	W106-20-20	1.25	1.25	2.68	3.12	1.188	2.312	1.61	.83	1.750	1.252	1 5/8-12	.469	7/16-14	222	7/16-14X1.75
W46-24-24	W106-24-24	1.50	1.50	3.07	3.66	1.406	2.750	1.77	.98	2.115	1.502	1 7/8-12	.531	1/2-13	225	1/2-13X1.75
*W46-32-32	W106-32-32	2.00	2.00	3.54	4.00	1.688	3.062	1.77	.98	2.490	2.002	2 1/2-12	.531	1/2-13	228	1/2-13X1.75
**W46-40-40	W106-40-40	2.50	2.50	4.09	4.49	2.000	3.500	1.97	.98	3.000	2.500	3-12	.530	1/2-13	232	1/2-13X1.75
**W46-48-48	W106-48-48	3.00	3.00	4.88	5.28	2.440	4.190	1.97	1.06	3.620	3.000	3 1/2-12	.660	5/8-11	237	5/8-11X2.00
**W46-64-64	W106-64-64	4.00	4.00	5.74	6.38	3.060	5.130	2.19	1.06	4.600	4.000	4 1/2-12	.660	5/8-11	245	5/8-11X2.00

\*1000 PSI max for W46-32-32

\*\*Consult Factory For Working Pressure

CODE 62 SAE STRAIGHT THREAD																
PART NO. O-RING FIG. 1	PART NO. FLAT FACE FIG. 2	PORT SIZE	PAD SIZE	A	B	C	D	E	F	G	H	J	K	L UNC-2B	MOUNTING HARDWARE	
															O-RING	SHCS
W48-8-8	W49-8-8	.50	.50	1.81	2.21	.718	1.594	1.42	.63	1.000	.502	3/4-16	.344	5/16-18	210	5/16-18X1.25
W48-12-12	W49-12-12	.75	.75	2.17	2.80	.937	2.000	1.38	.83	1.250	.752	1 1/16-12	.406	3/8-16	214	3/8-16X1.50
W48-16-16	W49-16-16	1.00	1.00	2.56	3.19	1.093	2.250	1.65	.98	1.560	1.002	1 5/16-12	.492	7/16-14	219	7/16-14X1.75
W48-20-20	W49-20-20	1.25	1.25	3.07	3.75	1.250	2.625	1.77	1.06	1.750	1.252	1 5/8-12	.531	1/2-13	222	1/2-13X1.75
W48-24-24	W49-24-24	1.50	1.50	3.70	4.41	1.437	3.125	1.97	1.18	2.115	1.502	1 7/8-12	.656	5/8-11	225	5/8-11X2.25
W48-32-32	W49-32-32	2.00	2.00	4.50	5.28	1.750	3.812	2.56	1.46	2.490	2.002	2 1/2-12	.781	3/4-10	228	3/4-10X2.75

# BSPP Thread

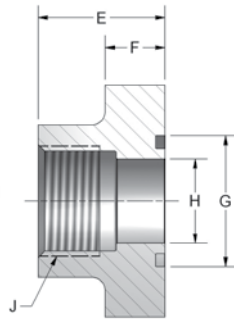


Figure 1

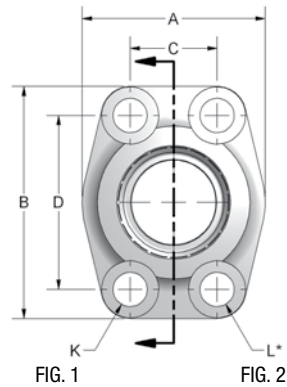


FIG. 1

FIG. 2

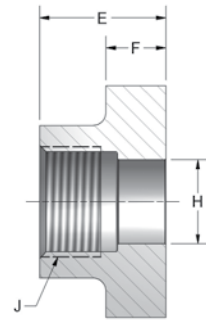


Figure 2

\*No Spotface

CODE 61 BSPP THREAD																
PART NO. O-RING FIG. 1	PART NO. FLAT FACE FIG. 2	PORT SIZE	PAD SIZE	A	B	C	D	E	F	G	H	J BSPP	K	L UNC-2B	MOUNTING HARDWARE	
															O-RING	SHCS
W192-8-8	W193-8-8	.50	.50	1.81	2.13	.688	1.500	1.42	.63	1.000	.502	.50-14	.344	5/16-18	210	5/16-18X1.25
W192-12-12	W193-12-12	.75	.75	1.97	2.56	.875	1.875	1.42	.71	1.250	.752	.75-14	.406	3/8-16	214	3/8-16X1.50
W192-16-16	W193-16-16	1.00	1.00	2.17	2.75	1.031	2.062	1.50	.71	1.560	1.002	1.00-11	.406	3/8-16	219	3/8-16X1.50
W192-20-20	W193-20-20	1.25	1.25	2.68	3.12	1.188	2.312	1.61	.83	1.750	1.252	1.25-11	.469	7/16-14	222	7/16-14X1.75
W192-24-24	W193-24-24	1.50	1.50	3.07	3.66	1.406	2.750	1.77	.98	2.115	1.502	1.50-11	.531	1/2-13	225	1/2-13X1.75
W192-32-32	W193-32-32	2.00	2.00	3.54	4.00	1.688	3.062	1.77	.98	2.490	2.002	2.00-11	.531	1/2-13	228	1/2-13X1.75

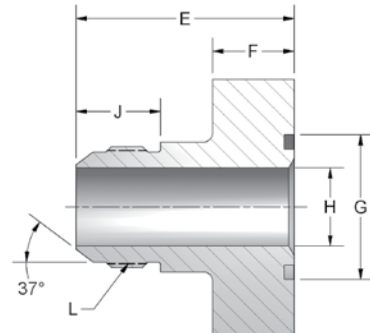
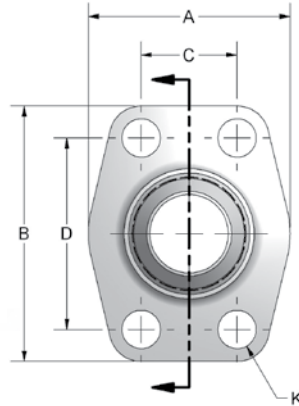
CODE 62 BSPP THREAD																
PART NO. O-RING FIG. 1	PART NO. FLAT FACE FIG. 2	PORT SIZE	PAD SIZE	A	B	C	D	E	F	G	H	J BSPP	K	L UNC-2B	MOUNTING HARDWARE	
															O-RING	SHCS
W194-8-8	W195-8-8	.50	.50	1.81	2.21	.718	1.594	1.42	.63	1.000	.502	.50-14	.344	5/16-18	210	5/16-18X1.25
W194-12-12	W195-12-12	.75	.75	2.17	2.80	.937	2.000	1.38	.83	1.250	.752	.75-14	.406	3/8-16	214	3/8-16X1.50
W194-16-16	W195-16-16	1.00	1.00	2.56	3.19	1.093	2.250	1.65	.98	1.560	1.002	1.00-11	.492	7/16-14	219	7/16-14X1.75
W194-20-20	W195-20-20	1.25	1.25	3.07	3.75	1.250	2.625	1.77	1.06	1.750	1.252	1.25-11	.531	1/2-13	222	1/2-13X1.50
W194-24-24	W195-24-24	1.50	1.50	3.70	4.41	1.437	3.125	1.97	1.18	2.115	1.502	1.50-11	.656	5/8-11	225	5/8-11X2.25
W194-32-32	W195-32-32	2.00	2.00	4.50	5.28	1.750	3.812	2.56	1.46	2.490	2.002	2.00-11	.781	3/4-10	228	3/4-10X2.75

Mounting kit available on o-ring grooved flanges by simply adding suffix letter 'U' to part number.





# JIC Thread



4-Bolt Flange hole pattern per SAE J518. Male JIC Thread per SAE J514.

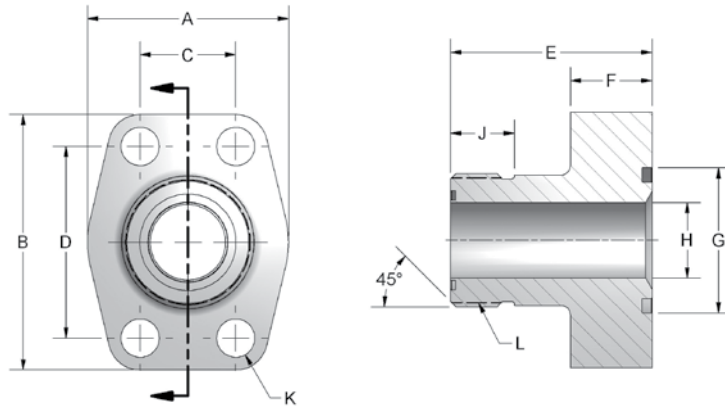
CODE 61 MALE JIC														
PART NO.	PAD SIZE	A	B	C	D	E	F	G	H	J	K	L	MOUNTING HARDWARE	
													O-RING	SHCS
W300-8-8	.50	1.81	2.13	.688	1.500	2.00	.88	1.000	.391	.657	.344	3/4-16	210	5/16-18X1.50
W300-12-12	.75	1.97	2.56	.875	1.875	2.29	.88	1.250	.609	.864	.413	1 1/16-12	214	3/8-16X1.50
W300-16-16	1.00	2.17	2.75	1.031	2.062	2.35	.88	1.560	.844	.911	.413	1 5/16-12	219	3/8-16X1.50
W300-20-20	1.25	2.68	3.12	1.188	2.312	2.49	.88	1.750	1.078	.958	.469	1 5/8-12	222	7/16-14X1.75
W300-24-24	1.50	3.07	3.66	1.406	2.750	2.81	.98	2.115	1.312	1.083	.531	1 7/8-12	225	1/2-13X1.75

CODE 62 MALE JIC														
PART NO.	PAD SIZE	A	B	C	D	E	F	G	H	J	K	L	MOUNTING HARDWARE	
													O-RING	SHCS
W600-8-8	.50	1.81	2.21	.719	1.594	1.75	.88	1.000	.391	.657	.344	3/4-16	210	5/16-18X1.50
W600-12-12	.75	2.17	2.80	.937	2.000	2.31	.88	1.250	.609	.864	.413	1-1/16-12	214	3/8-16X1.50
W600-16-16	1.00	2.56	3.19	1.093	2.250	2.62	.98	1.560	.844	.911	.492	1-5/16-12	219	7/16-14X1.75
W600-20-20	1.25	3.07	3.75	1.250	2.625	2.81	1.06	1.750	1.078	.958	.531	1-5/8-12	222	1/2-13X1.75
W600-24-24	1.50	3.70	4.41	1.437	3.125	3.25	1.18	2.115	1.312	1.083	.656	1-7/8-12	225	5/8-11X2.25

Mounting kit available on o-ring grooved flanges by simply adding suffix letter 'U' to part number.

# FLANGES - CARBON STEEL

## ORFS Thread



4-Bolt Flange hole thread per SAE J518. Male ORFS Thread per SAE J1453-1.

CODE 61 MALE ORFS														
PART NO.	PAD SIZE	A	B	C	D	E	F	G	H	J	K	L	MOUNTING HARDWARE	
													O-RING	SHCS
W304-8-8	.50	1.81	2.13	.688	1.500	1.75	.88	1.000	.374	.512	.344	13/16-16	210	5/16-18X1.50
W304-12-12	.75	1.97	2.56	.875	1.875	2.00	.88	1.250	.611	.670	.413	1 3/16-12	214	3/8-16X1.50
W304-16-16	1.00	2.17	2.75	1.031	2.062	2.00	.88	1.560	.807	.689	.413	1 7/16-12	219	3/8-16X1.50
W304-20-20	1.25	2.68	3.12	1.188	2.312	2.25	.88	1.750	1.024	.689	.469	1 11/16-12	222	7/16-14X1.75
W304-24-24	1.50	3.07	3.66	1.406	2.750	2.50	.98	2.115	1.260	.689	.531	2-12	225	1/2-13X2.00

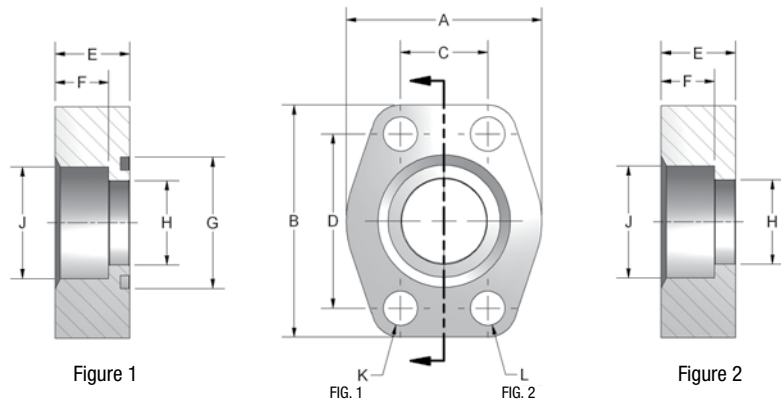
CODE 62 MALE ORFS														
PART NO.	PAD SIZE	A	B	C	D	E	F	G	H	J	K	L	MOUNTING HARDWARE	
													O-RING	SHCS
W604-8-8	.50	1.81	2.21	.719	1.594	1.75	.88	1.000	.374	.512	.344	13/16-16	210	5/16-18X1.50
W604-12-12	.75	2.17	2.80	.937	2.000	2.25	.88	1.250	.611	.670	.413	1 3/16-12	214	3/8-16X1.50
W604-16-16	1.00	2.56	3.19	1.093	2.250	2.50	.98	1.560	.807	.689	.492	1 7/16-12	219	7/16-14X1.75
W604-20-20	1.25	3.07	3.75	1.250	2.625	2.62	1.06	1.750	1.024	.689	.531	1 11/16-12	222	1/2-13X1.75
W604-24-24	1.50	3.70	4.41	1.437	3.125	2.88	1.18	2.115	1.260	.689	.656	2-12	225	5/8-11X2.25

Mounting kit available on o-ring grooved flanges by simply adding suffix letter 'U' to part number.



866-FLANGES | 513.527.4444 | Fax 513.527.4449  
 sales@anchorfluidpower.com | anchorfluidpower.com

# Flat Socket Weld Pipe



Mounting kit available on o-ring grooved flanges by simply adding suffix letter 'U' to part number.

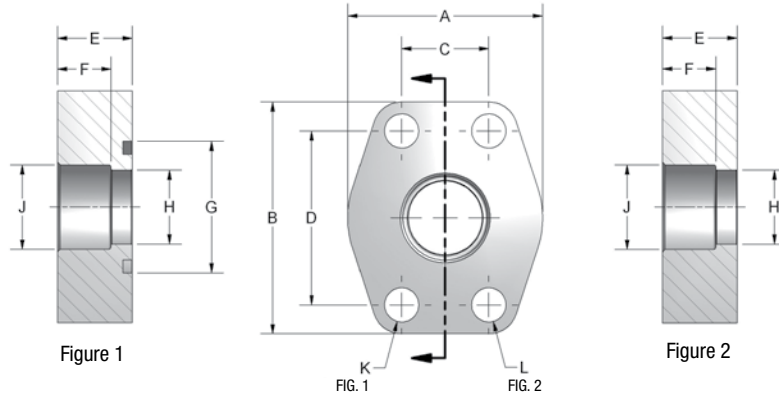
CODE 61 FLAT SOCKET WELD - PIPE																
PART NO. O-RING FIG. 1	PART NO. FLAT FACE FIG. 2	PIPE SIZE	PAD SIZE	A	B	C	D	E	F	G	H	J	K	L	MOUNTING HARDWARE	
															O-RING	SHCS
W4-8-8	W61-8-8	.50	.50	1.813	2.125	.688	1.500	.750	.560	1.000	.502	.855	.344	5/16-18	210	5/16-18X1.50
W4-12-12	W61-12-12	.75	.75	2.063	2.563	.875	1.875	.750	.560	1.250	.752	1.062	.406	3/8-16	214	3/8-16X1.50
W4-16-16	W61-16-16	1.00	1.00	2.313	2.75	1.031	2.063	.880	.630	1.560	1.002	1.328	.406	3/8-16	219	3/8-16X1.75
W4-20-20	W61-20-20	1.25	1.25	2.875	3.125	1.188	2.313	.940	.690	1.750	1.252	1.672	.469	7/16-14	222	7/16-14X1.75
W4-24-24	W61-24-24	1.50	1.50	3.25	3.688	1.406	2.75	1.190	.750	2.115	1.502	1.922	.531	1/2-13	225	1/2-13X2.25
W4-32-32	W61-32-32	2.00	2.00	3.813	4.00	1.688	3.063	1.380	.875	2.490	2.002	2.406	.531	1/2-13	228	1/2-13X2.50
W4-40-40	W61-40-40	2.50	2.50	4.281	4.50	2.000	3.500	1.750	1.00	2.995	2.502	2.906	.531	1/2-13	232	1/2-13X2.75
W4-48-48	W61-48-48	3.00	3.00	5.156	5.313	2.438	4.188	2.120	1.250	3.615	3.002	3.547	.656	5/8-11	237	5/8-11X3.50

CODE 62 FLAT SOCKET WELD - PIPE																
PART NO. O-RING FIG. 1	PART NO. FLAT FACE FIG. 2	PIPE SIZE	PAD SIZE	A	B	C	D	E	F	G	H	J	K	L	MOUNTING HARDWARE	
															O-RING	SHCS
W59-8-8	W60-8-8	.50	.50	1.94	2.30	.718	1.594	1.25	.560	1.000	.502	.855	.344	5/16-18	210	5/16-18X2.00
W59-12-12	W60-12-12	.75	.75	2.50	2.95	.937	2.000	1.250	.560	1.250	.752	1.062	.406	3/8-16	214	3/8-16X2.00
W59-16-16	W60-16-16	1.00	1.00	2.75	3.19	1.093	2.250	1.500	.630	1.560	1.002	1.328	.492	7/16-14	219	7/16-14X2.50
W59-20-20	W60-20-20	1.25	1.25	3.06	3.75	1.250	2.625	1.500	.690	1.750	1.252	1.672	.531	1/2-13	222	1/2-13X2.50
W59-24-24	W60-24-24	1.50	1.50	3.75	4.44	1.437	3.125	1.750	.750	2.115	1.502	1.922	.656	5/8-11	225	5/8-11X3.00
W59-32-32	W60-32-32	2.00	2.00	4.50	5.25	1.750	3.812	1.750	.875	2.490	2.002	2.406	.781	3/4-10	228	3/4-10X3.00
W59-40-40	W60-40-40	2.50	2.50	5.87	6.87	2.311	4.874	2.060	1.000	2.995	2.502	2.906	.906	7/8-9	232	**7/8-9X3.50
W59-48-48	W60-48-48	3.00	3.00	7.00	8.50	2.811	6.000	2.620	1.250	3.615	3.002	3.547	1.190	1-1/8-7	237	***1 1/8-7X4.50

\*\*HHCS

CODE 61 FLAT SOCKET WELD - PIPE - ALL SIZES 500 PSI																
PART NO. O-RING FIG. 1	PART NO. FLAT FACE FIG. 2	PIPE SIZE	PAD SIZE	A	B	C	D	E	F	G	H	J	K	L UNC-2B	MOUNTING HARDWARE	
															O-RING	SHCS
W72-48-48	W91-48-48	3.00	3.00	5.12	5.31	2.438	4.188	1.380	1.120	3.615	3.002	3.547	.656	5/8-11	237	5/8-11X2.50
W72-56-56	W91-56-56	3.50	3.50	5.50	6.00	2.750	4.750	1.440	1.190	4.095	3.502	4.047	.656	5/8-11	241	5/8-11X2.75
W72-64-64	W91-64-64	4.00	4.00	6.00	6.38	3.062	5.125	1.500	1.250	4.595	4.002	4.578	.656	5/8-11	245	5/8-11X2.75
W72-80-80	W91-80-80	5.00	5.00	7.12	7.25	3.625	6.000	1.750	1.380	5.595	5.002	5.641	.656	5/8-11	253	5/8-11X3.00

# Flat Socket Weld Tube



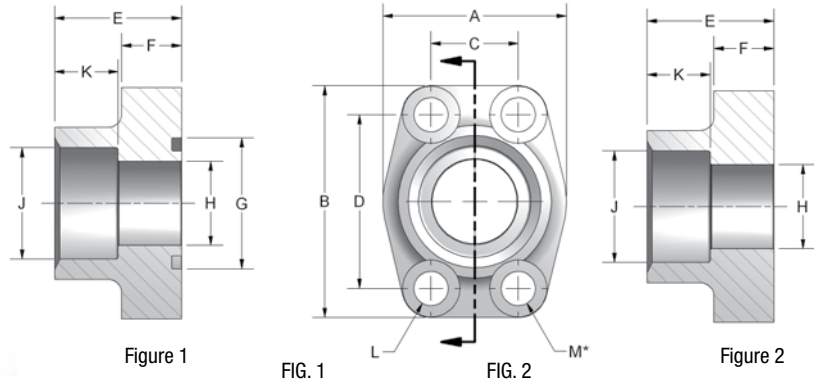
CODE 61 FLAT SOCKET WELD - TUBE																
PART NO. O-RING FIG. 1	PART NO. FLAT FACE FIG. 2	TUBE SIZE	PAD SIZE	A	B	C	D	E	F	G	H	J	K	L	MOUNTING HARDWARE	
															O-RING	SHCS
W6-12-12	W62-12-12	.75	.75	2.060	2.560	.875	1.875	.750	.560	1.250	.625	.752	.406	3/8-16	214	3/8-16X1.50
W6-16-12	W62-16-12	1.00	.75	2.060	2.560	.875	1.875	.750	.560	1.250	.750	1.002	.406	3/8-16	214	3/8-16X1.50
W6-16-16	W62-16-16	1.00	1.00	2.310	2.750	1.031	2.062	.880	.630	1.560	.875	1.002	.406	3/8-16	219	3/8-16X1.75
W6-20-16	W62-20-16	1.25	1.00	2.310	2.750	1.031	2.062	.880	.630	1.560	1.000	1.252	.406	3/8-16	219	3/8-16X1.75
W6-20-20	W62-20-20	1.25	1.25	2.880	3.120	1.188	2.312	.940	.690	1.750	1.125	1.252	.469	7/16-14	222	7/16-14X1.75
W6-24-20	W62-24-20	1.50	1.25	2.880	3.120	1.188	2.312	.940	.690	1.750	1.250	1.502	.469	7/16-14	222	7/16-14X1.75
W6-24-24	W62-24-24	1.50	1.50	3.250	3.690	1.406	2.750	1.190	.750	2.115	1.375	1.502	.531	1/2-13	225	1/2-13X2.25
W6-28-24	W62-28-24	1.75	1.50	3.250	3.690	1.406	2.750	1.190	.750	2.115	1.500	1.752	.531	1/2-13	225	1/2-13X2.25
W6-32-32	W62-32-32	2.00	2.00	3.810	4.000	1.688	3.062	1.380	.875	2.490	1.875	2.002	.531	1/2-13	228	1/2-13X2.50
W6-36-32	W62-36-32	2.25	2.00	3.810	4.000	1.688	3.062	1.380	.875	2.490	2.000	2.252	.531	1/2-13	228	1/2-13X2.50

CODE 62 FLAT SOCKET WELD - TUBE																
PART NO. O-RING FIG. 1	PART NO. FLAT FACE FIG. 2	TUBE SIZE	PAD SIZE	A	B	C	D	E	F	G	H	J	K	L	MOUNTING HARDWARE	
															O-RING	SHCS
W58-12-12	W63-12-12	.75	.75	2.50	2.95	.937	2.000	1.250	.560	1.250	.625	.752	.406	3/8-16	214	3/8-16X2.00
W58-16-12	W63-16-12	1.00	.75	2.50	2.95	.937	2.000	1.250	.560	1.250	.750	1.002	.406	3/8-16	214	3/8-16X2.00
W58-16-16	W63-16-16	1.00	1.00	2.75	3.19	1.093	2.250	1.500	.630	1.560	.875	1.002	.492	7/16-14	219	7/16-14X2.50
W58-20-16	W63-20-16	1.25	1.00	2.75	3.19	1.093	2.250	1.500	.630	1.560	1.000	1.252	.492	7/16-14	219	7/16-14X2.50
W58-20-20	W63-20-20	1.25	1.25	3.06	3.75	1.250	2.625	1.500	.690	1.750	1.125	1.252	.531	1/2-13	222	1/2-13X2.50
W58-24-20	W63-24-20	1.50	1.25	3.06	3.75	1.250	2.625	1.500	.690	1.750	1.250	1.502	.531	1/2-13	222	1/2-13X2.50
W58-24-24	W63-24-24	1.50	1.50	3.75	4.44	1.437	3.125	1.750	.750	2.115	1.375	1.502	.656	5/8-11	225	5/8-11X3.00
W58-28-24	W63-28-24	1.75	1.50	3.75	4.44	1.437	3.125	1.750	.750	2.115	1.500	1.752	.656	5/8-11	225	5/8-11X3.00
W58-32-32	W63-32-32	2.00	2.00	4.50	5.25	1.750	3.812	1.750	.875	2.490	1.875	2.002	.781	3/4-10	228	3/4-10X3.00
W58-36-32	W63-36-32	2.25	2.00	4.50	5.25	1.750	3.812	1.750	.875	2.490	2.000	2.252	.781	3/4-10	228	3/4-10X3.00

Mounting kit available on o-ring grooved flanges by simply adding suffix letter 'U' to part number.



# Deep Socket Weld Pipe



\*No Spotface

CODE 61 DEEP SOCKET WELD - PIPE																	
PART NO. O-RING FIG. 1	PART NO. FLAT FACE FIG. 2	PIPE SIZE	PAD SIZE	A	B	C	D	E	F	G	H	J	K	L	M UNC-2B	MOUNTING HARDWARE	
																O-RING	SHCS
W31-8-8	W3-8-8	.50	.50	1.81	2.13	.688	1.500	1.42	.63	1.000	.502	.855	.75	.344	5/16-18	210	5/16-18X1.25
W31-12-12	W3-12-12	.75	.75	1.97	2.56	.875	1.875	1.42	.71	1.250	.752	1.062	.75	.406	3/8-16	214	3/8-16X1.50
W31-16-16	W3-16-16	1.00	1.00	2.17	2.75	1.031	2.062	1.50	.71	1.560	1.002	1.328	.75	.406	3/8-16	219	3/8-16X1.50
W31-20-20	W3-20-20	1.25	1.25	2.68	3.12	1.188	2.312	1.61	.83	1.750	1.252	1.672	.87	.469	7/16-14	222	7/16-14X1.75
W31-24-24	W3-24-24	1.50	1.50	3.07	3.66	1.406	2.750	1.77	.98	2.115	1.502	1.922	.94	.531	1/2-13	225	1/2-13X1.75
W31-32-32	W3-32-32	2.00	2.00	3.54	4.00	1.688	3.062	1.77	.98	2.490	2.002	2.406	1.02	.531	1/2-13	228	1/2-13X1.75
W31-40-40	W3-40-40	2.50	2.50	4.09	4.49	2.000	3.500	1.97	.98	2.995	2.502	2.908	1.18	.531	1/2-13	232	1/2-13X1.75
W31-48-48	W3-48-48	3.00	3.00	4.88	5.28	2.438	4.188	1.97	1.06	3.615	3.002	3.547	1.34	.656	5/8-11	237	5/8-11X2.00

CODE 62 DEEP SOCKET WELD - PIPE																	
PART NO. O-RING FIG. 1	PART NO. FLAT FACE FIG. 2	PIPE SIZE	PAD SIZE	A	B	C	D	E	F	G	H	J	K	L	M UNC-2B	MOUNTING HARDWARE	
																O-RING	SHCS
W81-8-8	W80-8-8	.50	.50	1.81	2.21	.718	1.594	1.42	.63	1.000	.502	.855	.75	.344	5/16-18	210	5/16-18X1.25
W81-12-12	W80-12-12	.75	.75	2.17	2.80	.937	2.000	1.38	.83	1.250	.752	1.062	.87	.406	3/8-16	214	3/8-16X1.50
W81-16-16	W80-16-16	1.00	1.00	2.56	3.19	1.093	2.250	1.65	.98	1.560	1.002	1.328	.87	.492	7/16-14	219	7/16-14X1.75
W81-20-20	W80-20-20	1.25	1.25	3.07	3.75	1.250	2.625	1.77	1.06	1.750	1.252	1.672	.98	.531	1/2-13	222	1/2-13X1.75
W81-24-24	W80-24-24	1.50	1.50	3.70	4.41	1.437	3.125	1.97	1.18	2.115	1.502	1.922	1.10	.656	5/8-11	225	5/8-11X2.25
W81-32-32	W80-32-32	2.00	2.00	4.50	5.28	1.750	3.812	2.56	1.46	2.490	2.002	2.406	.94	.781	3/4-10	228	3/4-10X2.75

Mounting kit available on o-ring grooved flanges by simply adding suffix letter 'U' to part number.

FLOW NEEDLE & CHECK VALVES

HYDRAULIC BALL VALVES

WELD COUPLINGS

HPU SUCTION & RETURN CONNECTIONS

FLANGES CARBON STEEL

FLANGES STAINLESS STEEL

# Deep Socket Weld Tube

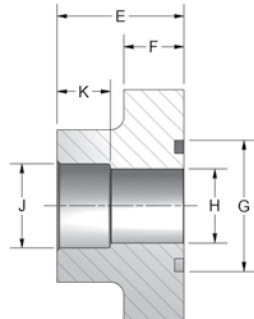


Figure 1

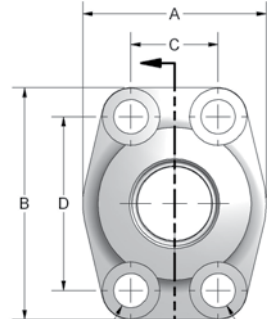


FIG. 1

FIG. 2

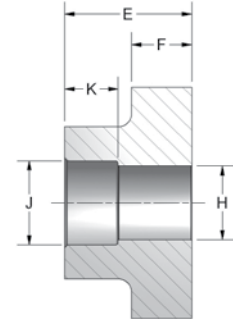


Figure 2

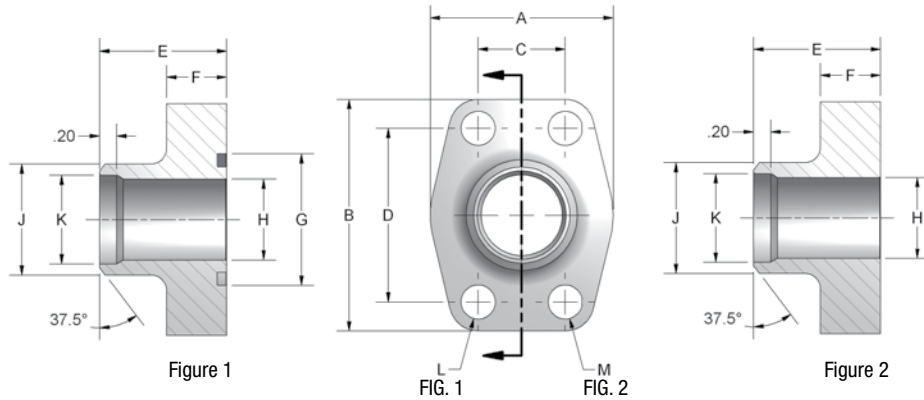
\*No Spotface

CODE 61 DEEP SOCKET WELD - TUBE																	
PART NO. O-RING FIG. 1	PART NO. FLAT FACE FIG. 2	TUBE SIZE	PAD SIZE	A	B	C	D	E	F	G	H	J	K	L	M UNC-2B	MOUNTING HARDWARE	
																O-RING	SHCS
W51-12-12	W5-12-12	.75	.75	1.97	2.56	.875	1.875	1.42	.71	1.250	.625	.752	.560	.406	3/8-16	214	3/8-16X1.50
W51-16-12	W5-16-12	1.00	.75	1.97	2.56	.875	1.875	1.42	.71	1.250	.750	1.002	.560	.406	3/8-16	214	3/8-16X1.50
W51-16-16	W5-16-16	1.00	1.00	2.17	2.75	1.031	2.062	1.50	.71	1.560	.875	1.002	.630	.406	3/8-16	219	3/8-16X1.50
W51-20-16	W5-20-16	1.25	1.00	2.17	2.75	1.031	2.062	1.50	.71	1.560	1.000	1.252	.630	.406	3/8-16	219	3/8-16X1.50
W51-20-20	W5-20-20	1.25	1.25	2.68	3.12	1.188	2.312	1.61	.83	1.750	1.125	1.252	.690	.469	7/16-14	222	7/16-14X1.75
W51-24-20	W5-24-20	1.50	1.25	2.68	3.12	1.188	2.312	1.61	.83	1.750	1.250	1.502	.690	.469	7/16-14	222	7/16-14X1.75
W51-24-24	W5-24-24	1.50	1.50	3.07	3.66	1.406	2.750	1.77	.98	2.115	1.375	1.502	.750	.531	1/2-13	225	1/2-13X1.75
W51-28-24	W5-28-24	1.75	1.50	3.07	3.66	1.406	2.750	1.77	.98	2.115	1.500	1.752	.750	.531	1/2-13	225	1/2-13X1.75
W51-32-32	W5-32-32	2.00	2.00	3.54	4.00	1.688	3.062	1.77	.98	2.490	1.875	2.002	.870	.531	1/2-13	228	1/2-13X1.75
W51-36-32	W5-36-32	2.25	2.00	3.54	4.00	1.688	3.062	1.77	.98	2.490	2.000	2.252	.870	.531	1/2-13	228	1/2-13X1.75
W51-40-40	W5-40-40	2.50	2.50	4.09	4.49	2.000	3.500	1.97	.98	2.995	2.375	2.502	1.000	.531	1/2-13	232	1/2-13X1.75
W51-44-40	W5-44-40	2.75	2.50	4.09	4.49	2.000	3.500	1.97	.98	2.995	2.500	2.752	1.000	.531	1/2-13	232	1/2-13X1.75

Mounting kit available on o-ring grooved flanges by simply adding suffix letter 'U' to part number.



# Butt Weld Pipe



**CODE 61 BUTT WELD - SCHEDULE 40 PIPE**

PART NO. O-RING FIG. 1	PART NO. FLAT FACE FIG. 2	PIPE SIZE	PAD SIZE	A	B	C	D	E	F	G	H	J	K	L	M UNC-2B	MOUNTING HARDWARE	
																O-RING	SHCS
W35-8	W34-8	.50	.50	1.81	2.13	.688	1.500	1.42	.63	1.000	.548	.840	.624	.344	5/16-18	210	5/16-18X1.25
W35-12	W34-12	.75	.75	1.97	2.56	.875	1.875	1.42	.71	1.250	.744	1.050	.846	.406	3/8-16	214	3/8-16X1.50
W35-16	W34-16	1.00	1.00	2.17	2.75	1.031	2.062	1.50	.71	1.560	.959	1.315	1.051	.406	3/8-16	219	3/8-16X1.50
W35-20	W34-20	1.25	1.25	2.68	3.12	1.188	2.312	1.61	.83	1.750	1.280	1.660	1.382	.469	7/16-14	222	7/16-14X1.75
W35-24	W34-24	1.50	1.50	3.07	3.66	1.406	2.750	1.73	.98	2.115	1.502	1.900	1.612	.531	1/2-13	225	1/2-13X1.75
W35-32	W34-32	2.00	2.00	3.54	4.00	1.688	3.062	1.77	.98	2.490	1.941	2.375	2.069	.531	1/2-13	228	1/2-13X1.75
W35-40	W34-40	2.50	2.50	4.09	4.49	2.000	3.500	1.97	.98	2.995	2.325	2.875	2.471	.531	1/2-13	232	1/2-13X1.75
W35-48	W34-48	3.00	3.00	4.88	5.28	2.438	4.188	1.97	1.06	3.615	2.902	3.500	3.070	.656	5/8-11	237	5/8-11X2.00

**CODE 61 BUTT WELD - SCHEDULE 80 PIPE**

PART NO. O-RING FIG. 1	PART NO. FLAT FACE FIG. 2	PIPE SIZE	PAD SIZE	A	B	C	D	E	F	G	H	J	L	M UNC-2B	MOUNTING HARDWARE	
															O-RING	SHCS
W24-8	W23-8	.50	.50	1.81	2.13	.688	1.500	1.42	.63	1.000	.548	.840	.344	5/16-18	210	5/16-18X1.25
W24-12	W23-12	.75	.75	1.97	2.56	.875	1.875	1.42	.71	1.250	.744	1.050	.406	3/8-16	214	3/8-16X1.50
W24-16	W23-16	1.00	1.00	2.17	2.75	1.031	2.062	1.50	.71	1.560	.959	1.315	.406	3/8-16	219	3/8-16X1.50
W24-20	W23-20	1.25	1.25	2.68	3.12	1.188	2.312	1.61	.83	1.750	1.280	1.660	.469	7/16-14	222	7/16-14X1.75
W24-24	W23-24	1.50	1.50	3.07	3.66	1.406	2.750	1.73	.98	2.115	1.502	1.900	.531	1/2-13	225	1/2-13X1.75
W24-32	W23-32	2.00	2.00	3.54	4.00	1.688	3.062	1.77	.98	2.490	1.941	2.375	.531	1/2-13	228	1/2-13X1.75
W24-40	W23-40	2.50	2.50	4.09	4.49	2.000	3.500	1.97	.98	2.995	2.325	2.875	.531	1/2-13	232	1/2-13X1.75
W24-48	W23-48	3.00	3.00	4.88	5.28	2.438	4.188	1.97	1.06	3.615	2.902	3.500	.656	5/8-11	237	5/8-11X2.00

**CODE 61 BUTT WELD - SCHEDULE 160 PIPE**

PART NO. O-RING FIG. 1	PART NO. FLAT FACE FIG. 2	PIPE SIZE	PAD SIZE	A	B	C	D	E	F	G	H	J	L	M UNC-2B	MOUNTING HARDWARE	
															O-RING	SHCS
W27-8	W25-8	.50	.50	1.81	2.13	.688	1.500	1.42	.63	1.000	.466	.840	.344	5/16-18	210	5/16-18X1.25
W27-12	W25-12	.75	.75	1.97	2.56	.875	1.875	1.42	.71	1.250	.614	1.050	.406	3/8-16	214	3/8-16X1.50
W27-16	W25-16	1.00	1.00	2.17	2.75	1.031	2.062	1.50	.71	1.560	.817	1.315	.406	3/8-16	219	3/8-16X1.50
W27-20	W25-20	1.25	1.25	2.68	3.12	1.188	2.132	1.61	.83	1.750	1.162	1.660	.469	7/16-14	222	7/16-14X1.75
W27-24	W25-24	1.50	1.50	3.07	3.66	1.406	2.750	1.73	.98	2.115	1.340	1.900	.531	1/2-13	225	1/2-13X1.75
W27-32	W25-32	2.00	2.00	3.54	4.00	1.688	3.062	1.77	.98	2.490	1.689	2.375	.531	1/2-13	228	1/2-13X1.75
W27-40	W25-40	2.50	2.50	4.09	4.49	2.000	3.500	1.97	.98	2.995	2.127	2.875	.531	1/2-13	232	1/2-13X1.75
W27-48	W25-48	3.00	3.00	4.88	5.28	2.438	4.188	1.97	1.06	3.615	2.626	3.500	.656	5/8-11	237	5/8-11X2.00

\*NOTE: Also available in sizes 3 1/2", 4", and 5". Consult factory for specifications.  
Mounting kit available on o-ring grooved flanges by simply adding suffix letter 'U' to part number.

FLOW NEEDLE & CHECK VALVES  
 HYDRAULIC BALL VALVES  
 WELD COUPLINGS  
 HPU SUCTION & RETURN CONNECTIONS  
 FLANGES CARBON STEEL  
 FLANGES STAINLESS STEEL



# Butt Weld Pipe

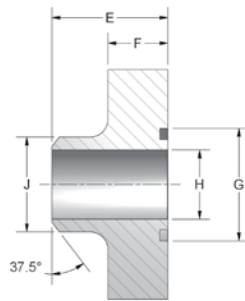


Figure 1

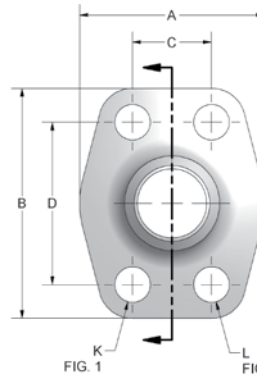


Figure 2

CODE 62 BUTT WELD - SCHEDULE 80 PIPE																
PART NO. O-RING FIG. 1	PART NO. FLAT FACE FIG. 2	PIPE SIZE	PAD SIZE	A	B	C	D	E	F	G	H	J	K	L UNC-2B	MOUNTING HARDWARE	
															O-RING	SHCS
W28-8	W26-8	.50	.50	1.81	2.21	.718	1.594	1.42	.63	1.000	.548	.840	.344	5/16-18	210	5/16-18X1.25
W28-12	W26-12	.75	.75	2.17	2.80	.937	2.000	1.38	.83	1.250	.744	1.050	.406	3/8-16	214	3/8-16X1.50
W28-16	W26-16	1.00	1.00	2.56	3.19	1.093	2.250	1.61	.83	1.560	.959	1.315	.492	7/16-14	219	7/16-14X1.75
W28-20	W26-20	1.25	1.25	3.07	3.75	1.250	2.625	1.73	.98	1.750	1.280	1.660	.531	1/2-13	222	1/2-13X1.75
W28-24	W26-24	1.50	1.50	3.70	4.41	1.437	3.125	2.17	1.18	2.115	1.502	1.900	.656	5/8-11	225	5/8-11X2.25
W28-32	W26-32	2.00	2.00	4.50	5.28	1.750	3.812	2.56	1.46	2.490	1.941	2.375	.781	3/4-10	228	3/4-10X3.00
W28-40	W26-40	2.50	2.50	5.00	6.88	2.311	4.874	2.37	1.50	2.995	2.325	2.875	.906	7/8-9	232	7/8-9X3.00
W28-48	W26-48	3.00	3.00	6.00	8.50	2.811	6.000	2.96	2.00	3.615	2.902	3.500	1.190	1 1/8-7	237	1 1/8-7X4.00

CODE 62 BUTT WELD - SCHEDULE 160 PIPE																
PART NO. O-RING FIG. 1	PART NO. FLAT FACE FIG. 2	PIPE SIZE	PAD SIZE	A	B	C	D	E	F	G	H	J	K	L UNC-2B	MOUNTING HARDWARE	
															O-RING	SHCS
W30-8	W29-8	.50	.50	1.81	2.21	.718	1.594	1.42	.63	1.000	.466	.840	.344	5/16-18	210	5/16-18X1.25
W30-12	W29-12	.75	.75	2.17	2.80	.937	2.000	1.38	.83	1.250	.614	1.050	.406	3/8-16	214	3/8-16X1.50
W30-16	W29-16	1.00	1.00	2.56	3.19	1.093	2.250	1.61	.83	1.560	.817	1.315	.492	7/16-14	219	7/16-14X1.75
W30-20	W29-20	1.25	1.25	3.07	3.75	1.250	2.625	1.73	.98	1.750	1.162	1.660	.531	1/2-13	222	1/2-13X1.75
W30-24	W29-24	1.50	1.50	3.70	4.41	1.437	3.125	2.17	1.18	2.115	1.340	1.900	.656	5/8-11	225	5/8-11X2.25
W30-32	W29-32	2.00	2.00	4.50	5.28	1.750	3.812	2.56	1.46	2.490	1.689	2.375	.781	3/4-10	228	3/4-10X3.00
W30-40	W29-40	2.50	2.50	5.00	6.88	2.311	4.874	2.37	1.50	2.995	2.127	2.875	.906	7/8-9	232	7/8-9X3.00
W30-48	W29-48	3.00	3.00	6.00	8.50	2.811	6.000	2.96	2.00	3.615	2.626	3.500	1.190	1 1/8-7	237	1 1/8-7X4.00

CODE 62 BUTT WELD - SCHEDULE XXS PIPE																
PART NO. O-RING FIG. 1	PART NO. FLAT FACE FIG. 2	PIPE SIZE	PAD SIZE	A	B	C	D	E	F	G	H	J	K	L UNC-2B	MOUNTING HARDWARE	
															O-RING	SHCS
W33-8	W32-8	.50	.50	1.81	2.21	.718	1.594	1.42	.63	1.000	.254	.840	.344	5/16-18	210	5/16-18X1.25
W33-12	W32-12	.75	.75	2.17	2.80	.937	2.000	1.38	.83	1.250	.436	1.050	.406	3/8-16	214	3/8-16X1.50
W33-16	W32-16	1.00	1.00	2.56	3.19	1.093	2.250	1.61	.83	1.560	.601	1.315	.492	7/16-14	219	7/16-14X1.75
W33-20	W32-20	1.25	1.25	3.07	3.75	1.250	2.625	1.73	.98	1.750	.898	1.660	.531	1/2-13	222	1/2-13X1.75
W33-24	W32-24	1.50	1.50	3.70	4.41	1.437	3.125	2.17	1.18	2.115	1.102	1.900	.656	5/8-11	225	5/8-11X2.25
W33-32	W32-32	2.00	2.00	4.50	5.28	1.750	3.812	2.56	1.46	2.490	1.505	2.375	.781	3/4-10	228	3/4-10X3.00
W33-40	W32-40	2.50	2.50	5.00	6.88	2.311	4.874	2.37	1.50	2.995	1.773	2.875	.906	7/8-9	232	7/8-9X3.00
W33-48	W32-48	3.00	3.00	6.00	8.50	2.811	6.000	2.96	2.00	3.615	2.302	3.500	1.190	1 1/8-7	237	1 1/8-7X4.00





# Saddle Weld

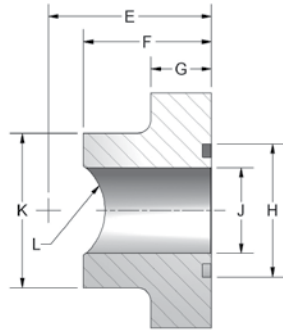


Figure 1

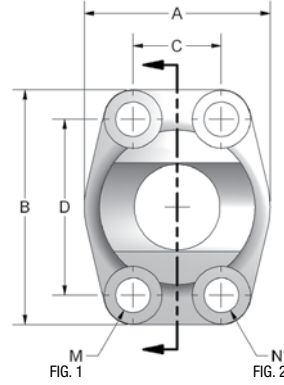


FIG. 1  
FIG. 2

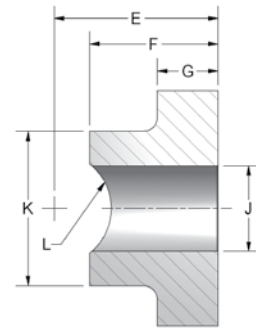


Figure 2

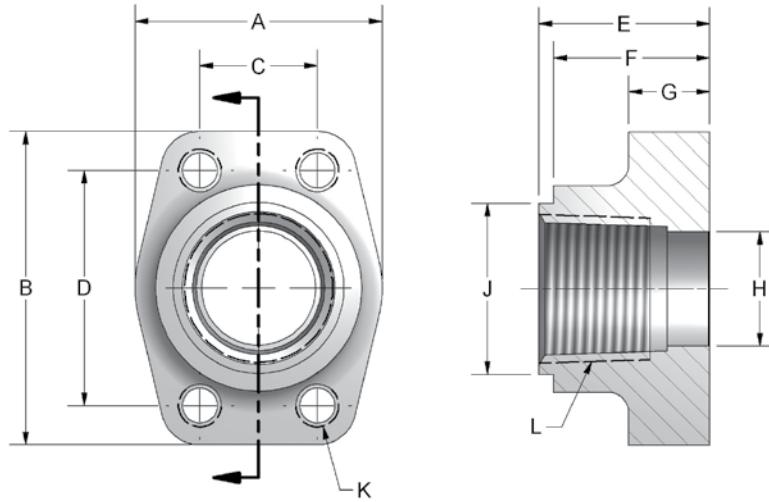
\*No Spotface

CODE 61 SADDLE WELD - PIPE																		
PART NO. O-RING FIG. 1	PART NO. FLAT FACE FIG. 2	PIPE SIZE	PAD SIZE	A	B	C	D	E	F	G	H	J	K	L	M	N UNC-2B	MOUNTING HARDWARE	
																	O-RING	SHCS
W8-12-12	W7-12-12	.75	.75	1.97	2.56	.875	1.875	1.775	1.42	.71	1.250	.752	1.54	.532	.406	3/8-16	214	3/8-16X1.50
W8-16-16	W7-16-16	1.00	1.00	2.17	2.75	1.031	2.062	1.912	1.50	.71	1.560	1.002	1.81	.665	.406	3/8-16	219	3/8-16X1.50
W8-20-20	W7-20-20	1.25	1.25	2.68	3.12	1.188	2.312	2.146	1.61	.83	1.750	1.252	2.22	.837	.469	7/16-14	222	7/16-14X1.75
W8-24-24	W7-24-24	1.50	1.50	3.07	3.66	1.406	2.750	2.290	1.77	.98	2.115	1.502	2.50	.957	.531	1/2-13	225	1/2-13X1.75
W8-32-32	W7-32-32	2.00	2.00	3.54	4.00	1.688	3.062	2.340	1.77	.98	2.490	2.002	3.12	1.200	.531	1/2-13	228	1/2-13X1.75
W8-40-40	W7-40-40	2.50	2.50	4.09	4.49	2.000	3.500	2.660	1.97	.98	2.995	2.502	3.62	1.451	.531	1/2-13	232	1/2-13X1.75

CODE 61 SADDLE WELD - TUBE																		
PART NO. O-RING FIG. 1	PART NO. FLAT FACE FIG. 2	TUBE SIZE	PAD SIZE	A	B	C	D	E	F	G	H	J	K	L	M	N UNC-2B	MOUNTING HARDWARE	
																	O-RING	SHCS
W87-12-12	W69-12-12	.75	.75	1.97	2.56	.875	1.875	1.420	1.42	.71	1.250	.752	1.54	.382	.406	3/8-16	214	3/8-16X1.50
W87-16-12	W69-16-12	1.00	.75	1.97	2.56	.875	1.875	1.737	1.42	.71	1.250	.752	1.54	.507	.406	3/8-16	214	3/8-16X1.50
W87-16-16	W69-16-16	1.00	1.00	2.17	2.75	1.031	2.062	1.500	1.50	.71	1.560	1.002	1.81	.507	.406	3/8-16	219	3/8-16X1.50
W87-20-16	W69-20-16	1.25	1.00	2.17	2.75	1.031	2.062	1.858	1.50	.71	1.560	1.002	1.81	.632	.406	3/8-16	219	3/8-16X1.50
W87-20-20	W69-20-20	1.25	1.25	2.68	3.12	1.188	2.312	1.665	1.61	.83	1.750	1.252	2.22	.632	.469	7/16-14	222	7/16-14X1.75
W87-24-20	W69-24-20	1.50	1.25	2.68	3.12	1.188	2.312	2.022	1.61	.83	1.750	1.252	2.22	.757	.469	7/16-14	222	7/16-14X1.75
W87-28-24	W69-28-24	1.75	1.50	3.07	3.66	1.406	2.750	2.198	1.77	.98	2.115	1.502	2.50	.882	.531	1/2-13	225	1/2-13X1.75
W87-32-32	W69-32-32	2.00	2.00	3.54	4.00	1.688	3.062	2.262	1.77	.98	2.490	1.691	2.38	1.007	.531	1/2-13	228	1/2-13X1.75
W87-36-32	W69-36-32	2.25	2.00	3.54	4.00	1.688	3.062	2.247	1.77	.98	2.490	2.002	3.12	1.132	.531	1/2-13	228	1/2-13X1.75

Mounting kit available on o-ring grooved flanges by simply adding suffix letter 'U' to part number.

# NPTF Tank Pilot



CODE 61 NPTF TANK PILOT													
PART NO.	PIPE SIZE	PAD SIZE	A	B	C	D	E	F	G	H	J	K UNC-2B	L NPTF
W22-12	.750	.750	1.97	2.56	.875	1.875	1.42	1.30	.71	.752	1.375	3/8-16	3/4-14
W22-16	1.00	1.00	2.17	2.75	1.031	2.062	1.50	1.37	.71	1.002	1.500	3/8-16	1-11.5
W22-20	1.25	1.25	2.68	3.12	1.188	2.312	1.61	1.49	.83	1.252	1.750	7/16-14	1 1/4-11.5
W22-24	1.50	1.50	3.07	3.66	1.406	2.750	1.77	1.64	.98	1.502	2.125	1/2-13	1 1/2-11.5
W22-32	2.00	2.00	3.54	4.00	1.688	3.062	1.77	1.65	.98	2.002	2.500	1/2-13	2-11.5
W22-40	2.50	2.50	4.09	4.49	2.000	3.500	1.97	1.85	.98	2.502	3.250	1/2-13	2 1/2-8
W22-48	3.00	3.00	4.88	5.28	2.438	4.188	1.97	1.85	1.06	3.002	3.625	5/8-11	3-8
W22-56	3.50	3.50	5.35	5.98	2.750	4.750	1.89	1.77	1.06	3.504	4.125	5/8-11	3 1/2-8
W22-64	4.00	4.00	5.75	6.38	3.062	5.125	1.89	1.77	1.06	3.898	4.625	5/8-11	4-8

Female NPTF thread added to facilitate pump suction line and return line applications.



# Elbow Block

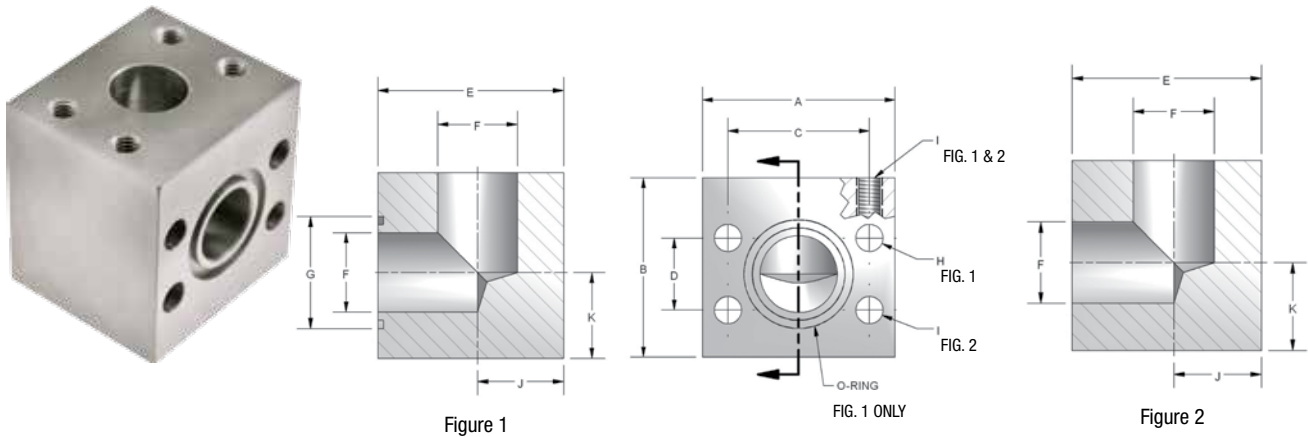


Figure 1

FIG. 1 ONLY

Figure 2

CODE 61 ELBOW BLOCK															
PART NO. O-RING FIG. 1	PART NO. FLAT FACE FIG. 2	PAD SIZE	A	B	C	D	E	F	G	H	I UNC-2B	J	K	MOUNTING HARDWARE	
														O-RING	SHCS
W14-12	W15-12	.75	2.62	2.47	1.875	.875	2.25	.75	1.250	.406	3/8-16	1.03	1.03	214	3/8-16X3.00
W14-16	W15-16	1.00	2.82	2.47	2.062	1.031	2.47	1.00	1.560	.406	3/8-16	1.16	1.09	219	3/8-16X3.25
W14-20	W15-20	1.25	3.19	2.97	2.312	1.188	2.97	1.25	1.750	.469	7/16-14	1.44	1.31	222	7/16-14X4.00
W14-24	W15-24	1.50	3.75	3.47	2.750	1.406	3.47	1.50	2.115	.531	1/2-13	1.62	1.62	225	1/2-13X4.50
W14-32	W15-32	2.00	4.00	3.97	3.062	1.688	3.97	2.00	2.490	.531	1/2-13	1.91	1.91	228	1/2-13X5.00

CODE 62 ELBOW BLOCK															
PART NO. O-RING FIG. 1	PART NO. FLAT FACE FIG. 2	PAD SIZE	A	B	C	D	E	F	G	H	I UNC-2B	J	K	MOUNTING HARDWARE	
														O-RING	SHCS
W12-12	W13-12	.75	2.82	2.47	2.000	.937	2.47	.750	1.250	.406	3/8-16	1.19	1.06	214	3/8-16X3.50
W12-16	W13-16	1.00	3.19	2.97	2.250	1.093	2.97	1.00	1.560	.469	7/16-14	1.38	1.38	219	7/16-14X4.00
W12-20	W13-20	1.25	3.75	3.47	2.625	1.250	3.47	1.25	1.750	.531	1/2-13	1.62	1.41	222	1/2-13X4.50
W12-24	W13-24	1.50	4.50	3.97	3.125	1.437	3.97	1.50	2.115	.656	5/8-11	1.88	1.75	225	5/8-11X5.00
W12-32	W13-32	2.00	5.25	4.97	3.812	1.75	4.97	2.00	2.490	.781	3/4-10	2.25	2.50	228	3/4-10X6.00

Mounting kit available on o-ring grooved flanges by simply adding suffix letter 'U' to part number.

# Tee Junction Block

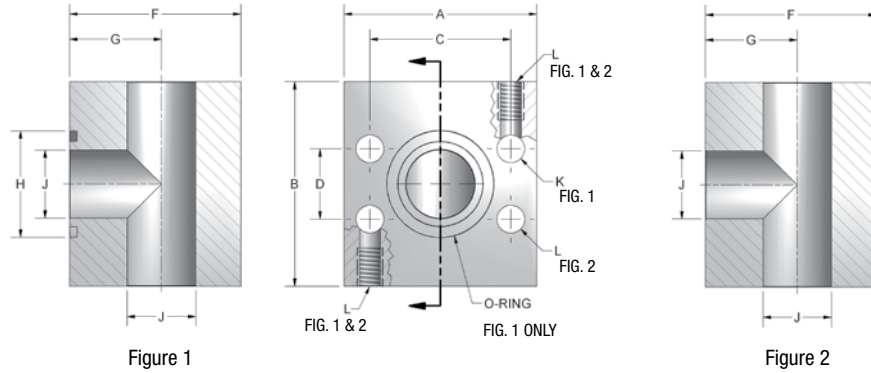


Figure 1

Figure 2

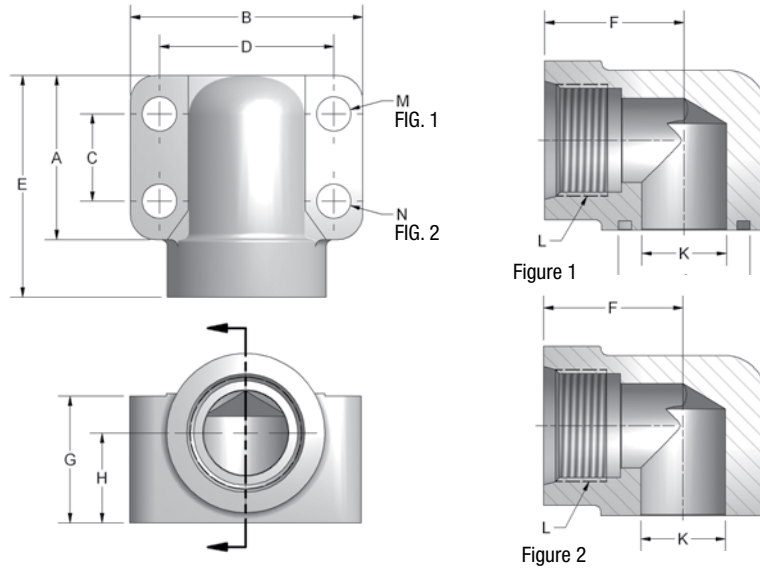
CODE 61 TEE JUNCTION BLOCK														
PART NO. O-RING FIG. 1	PART NO. FLAT FACE FIG. 2	PAD SIZE	A	B	C	D	F	G	H	J	K	L UNC-2B	MOUNTING HARDWARE	
													O-RING	SHCS
W17-12	W16-12	.75	2.62	2.75	1.875	.875	2.25	1.22	1.250	.75	.406	3/8-16	214	3/8-16X3.00
W17-16	W16-16	1.00	2.82	2.97	2.062	1.031	2.50	1.34	1.560	1.00	.406	3/8-16	219	3/8-16X3.25
W17-20	W16-20	1.25	3.19	3.47	2.312	1.188	3.00	1.56	1.750	1.25	.469	7/16-14	222	7/16-14X4.00
W17-24	W16-24	1.50	3.75	3.97	2.750	1.406	3.50	1.88	2.115	1.50	.531	1/2-13	225	1/2-13X4.50
W17-32	W16-32	2.00	4.00	4.25	3.062	1.688	3.97	2.09	2.490	2.00	.531	1/2-13	228	1/2-13X5.00

CODE 62 TEE JUNCTION BLOCK														
PART NO. O-RING FIG. 1	PART NO. FLAT FACE FIG. 2	PAD SIZE	A	B	C	D	F	G	H	J	K	L UNC-2B	MOUNTING HARDWARE	
													O-RING	SHCS
W19-12	W18-12	.75	2.81	2.97	2.00	.937	2.50	1.310	1.250	.750	.406	3/8-16	214	3/8-16X3.25
W19-16	W18-16	1.00	3.19	3.47	2.25	1.093	3.00	1.620	1.560	1.000	.492	7/16-14	219	7/16-14X4.00
W19-20	W18-20	1.25	3.75	3.97	2.625	1.250	3.50	1.880	1.750	1.250	.531	1/2-13	222	1/2-13X4.50
W19-24	W18-24	1.50	4.50	4.47	3.125	1.437	4.00	2.120	2.115	1.500	.656	5/8-11	225	5/8-11X5.00
W19-32	W18-32	2.00	5.25	4.97	3.812	1.750	4.97	2.750	2.490	1.940	.781	3/4-10	228	3/4-10X6.00

Mounting kit available on O-Ring grooved flanges by simply adding suffix letter 'U' to part number.



# Threaded Elbow



CODE 61 ELBOW SAE STRAIGHT THREAD																	
PART NO. O-RING FIG. 1	PART NO. FLAT FACE FIG. 2	PAD SIZE	A	B	C	D	E	F	G	H	J	K	L	M	N UNC-2B	MOUNTING HARDWARE	
																O-RING	SHCS
W164-12-12	W165-12-12	.75	1.69	2.56	.875	1.875	2.28	1.44	1.25	.875	1.250	.752	1-1/16-12	.406	3/8-16	214	3/8-16X2.00
W164-16-16	W165-16-16	1.00	1.94	2.75	1.031	2.062	2.62	1.66	1.50	1.062	1.560	1.002	1-5/16-12	.406	3/8-16	219	3/8-16X2.25
W164-20-20	W165-20-20	1.25	2.19	3.12	1.188	2.312	3.00	1.91	1.81	1.188	1.750	1.252	1-5/8-12	.469	7/16-14	222	7/16-14X2.75
W164-24-24	W165-24-24	1.50	2.56	3.69	1.406	2.750	3.33	2.05	2.00	1.312	2.115	1.502	1-7/8-12	.531	1/2-13	225	1/2-13X3.00
W164-32-32	W165-32-32	2.00	3.06	4.33	1.688	3.062	3.81	2.28	2.50	1.656	1.490	2.002	2-1/2-12	.531	1/2-13	228	1/2-13X3.50

CODE 61 ELBOW NPTF THREAD																	
PART NO. O-RING FIG. 1	PART NO. FLAT FACE FIG. 2	PAD SIZE	A	B	C	D	E	F	G	H	J	K	L	M	N UNC-2B	MOUNTING HARDWARE	
																O-RING	SHCS
W168-12-12	W170-12-12	.75	1.69	2.56	.875	1.875	2.28	1.44	1.25	.875	1.250	.752	.75	.406	3/8-16	214	3/8-16X2.00
W168-16-16	W170-16-16	1.00	1.94	2.75	1.031	2.062	2.62	1.66	1.50	1.062	1.560	1.002	1.00	.406	3/8-16	219	3/8-16X2.25
W168-20-20	W170-20-20	1.25	2.19	3.12	1.188	2.312	3.00	1.91	1.81	1.188	1.750	1.252	1.25	.469	7/16-14	222	7/16-14X2.75
W168-24-24	W170-24-24	1.50	2.56	3.69	1.406	2.750	3.33	2.05	2.00	1.312	2.115	1.502	1.50	.531	1/2-13	225	1/2-13X3.00
W168-32-32	W170-32-32	2.00	3.06	4.33	1.688	3.062	3.81	2.28	2.50	1.656	2.490	2.002	2.00	.531	1/2-13	228	1/2-13X3.50

CODE 62 ELBOW SAE STRAIGHT THREAD																	
PART NO. O-RING FIG. 1	PART NO. FLAT FACE FIG. 2	PAD SIZE	A	B	C	D	E	F	G	H	J	K	L	M	N UNC-2B	MOUNTING HARDWARE	
																O-RING	SHCS
W184-12-12	W185-12-12	.75	1.94	2.75	.937	2.000	2.62	1.66	1.50	1.062	1.250	.752	1-1/16-12	.406	3/8-16	214	3/8-16X2.25
W184-16-16	W185-16-16	1.00	2.19	3.12	1.093	2.250	3.00	1.91	1.81	1.188	1.560	1.002	1-5/16-12	.492	7/16-14	219	7/16-14X2.50
W184-20-20	W185-20-20	1.25	2.56	3.69	1.250	2.625	3.32	2.05	2.00	1.312	1.750	1.252	1-5/8-12	.531	1/2-13	222	1/2-13X3.00
W184-24-24	W185-24-24	1.50	3.06	4.33	1.437	3.125	3.81	2.28	2.50	1.656	2.115	1.502	1-7/8-12	.656	5/8-11	225	5/8-11X3.50

CODE 62 ELBOW NPTF THREAD																	
PART NO. O-RING FIG. 1	PART NO. FLAT FACE FIG. 2	PAD SIZE	A	B	C	D	E	F	G	H	J	K	L	M	N UNC-2B	MOUNTING HARDWARE	
																O-RING	SHCS
W188-12-12	W180-12-12	.75	1.94	2.75	.937	2.000	2.62	1.66	1.50	1.062	1.250	.752	.75	.406	3/8-16	214	3/8-16X2.25
W188-16-16	W180-16-16	1.00	2.19	3.12	1.093	2.250	3.00	1.91	1.81	1.188	1.560	1.002	1.00	.492	7/16-14	219	7/16-14X2.50
W188-20-20	W180-20-20	1.25	2.56	3.69	1.250	2.625	3.32	2.05	2.00	1.312	1.750	1.252	1.25	.531	1/2-13	222	1/2-13X3.00
W188-24-24	W180-24-24	1.50	3.06	4.33	1.437	3.125	3.81	2.28	2.50	1.656	2.115	1.502	1.50	.656	5/8-11	225	5/8-11X3.50

Mounting kit available on O-Ring grooved flanges by simply adding suffix letter 'U' to part number.

# Socket Weld Pipe Elbow

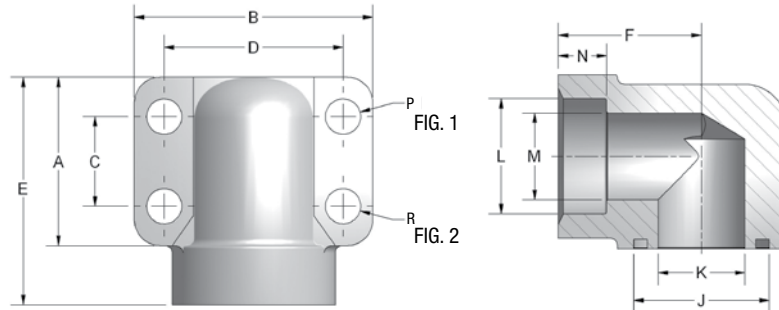


Figure 1

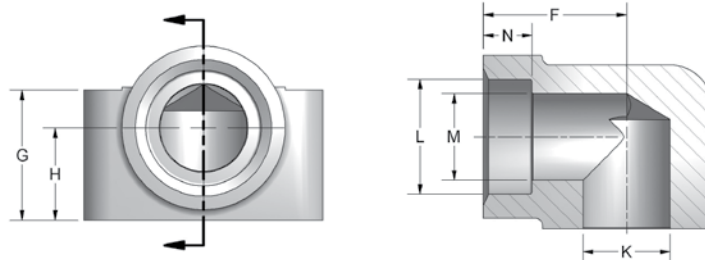


Figure 2

CODE 61 ELBOW SOCKET WELD - PIPE																			
PART NO. O-RING FIG. 1	PART NO. FLAT FACE FIG. 2	PAD SIZE	A	B	C	D	E	F	G	H	J	K	L	M	N	P	R UNC-2B	MOUNTING HARDWARE	
																		O-RING	SHCS
W176-12-12	W169-12-12	.75	1.69	2.56	.875	1.875	2.28	1.44	1.25	.875	1.250	.752	1.062	.75	.56	.406	3/8-16	214	3/8-16X2.00
W176-16-16	W169-16-16	1.00	1.94	2.75	1.031	2.062	2.62	1.66	1.50	1.062	1.560	1.002	1.328	1.00	.56	.406	3/8-16	219	3/8-16X2.25
W176-20-20	W169-20-20	1.25	2.19	3.12	1.188	2.312	3.00	1.91	1.81	1.188	1.750	1.252	1.672	1.25	.62	.469	7/16-14	222	7/16-14X2.75
W176-24-24	W169-24-24	1.50	2.56	3.69	1.406	2.750	3.33	2.05	2.00	1.312	2.115	1.502	1.922	1.50	.69	.531	1/2-13	225	1/2-13X3.00
W176-32-32	W169-32-32	2.00	3.06	4.33	1.688	3.062	3.81	2.28	2.50	1.656	2.490	2.002	2.406	2.00	.75	.531	1/2-13	228	1/2-13X3.50
W176-40-40	W169-40-40	2.50	3.56	5.00	2.000	3.500	4.66	2.88	2.78	1.900	2.995	2.502	2.906	2.50	.75	.531	1/2-13	232	1/2-13X5.00
W176-48-48	W169-48-48	3.00	4.00	5.50	2.438	4.188	5.00	3.00	3.35	2.400	3.615	3.002	3.547	3.00	.75	.656	5/8-11	237	5/8-11X6.00

CODE 62 ELBOW SOCKET WELD - PIPE																			
PART NO. O-RING FIG. 1	PART NO. FLAT FACE FIG. 2	PAD SIZE	A	B	C	D	E	F	G	H	J	K	L	M	N	P	R UNC-2B	MOUNTING HARDWARE	
																		O-RING	SHCS
W186-12-12	W189-12-12	.75	1.94	2.75	.937	2.000	2.62	1.66	1.50	1.062	1.250	.752	1.062	.75	.56	.406	3/8-16	214	3/8-16X2.25
W186-16-16	W189-16-16	1.00	2.19	3.12	1.093	2.250	3.00	1.91	1.81	1.188	1.560	1.002	1.328	1.00	.62	.492	7/16-14	219	7/16-14X2.50
W186-20-20	W189-20-20	1.25	2.56	3.69	1.250	2.625	3.32	2.05	2.00	1.312	1.750	1.252	1.672	1.25	.69	.531	1/2-13	222	1/2-13X3.00
W186-24-24	W189-24-24	1.50	3.06	4.33	1.437	3.125	3.81	2.28	2.50	1.656	2.115	1.502	1.922	1.50	.75	.656	5/8-11	225	5/8-11X3.50
W186-32-32	W189-32-32	2.00	3.56	5.00	1.750	3.812	4.66	2.88	2.69	1.900	2.490	2.002	2.406	2.00	.75	.781	3/4-10	228	3/4-10X4.50

Mounting kit available on o-ring grooved flanges by simply adding suffix letter 'U' to part number.



# Socket Weld Tube Elbow

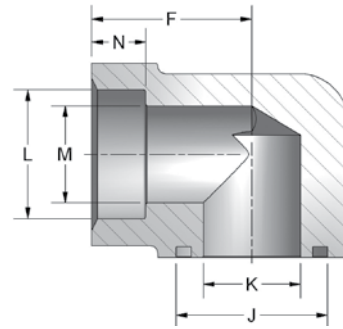
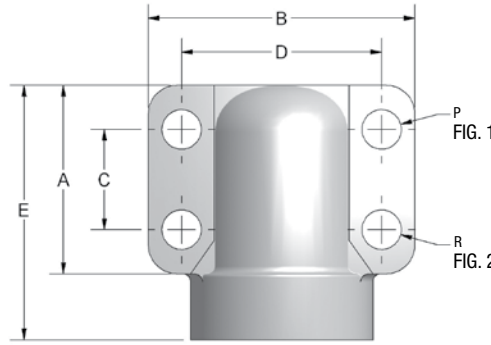


Figure 1

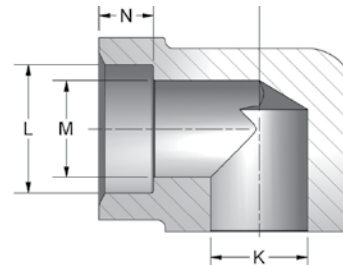
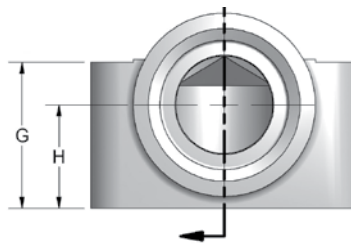


Figure 2

CODE 61 ELBOW SOCKET WELD - TUBE

PART NO. O-RING FIG. 1	PART NO. FLAT FACE FIG. 2	PAD SIZE	A	B	C	D	E	F	G	H	J	K	L	M	N	P	R UNC-2B	MOUNTING HARDWARE	
																		O-RING	SHCS
W172-12-12	W177-12-12	.75	1.69	2.56	.875	1.875	2.28	1.44	1.25	.875	1.250	.752	.752	.625	.312	.406	3/8-16	214	3/8-16X2.00
W172-16-12	W177-16-12	.75	1.69	2.56	.875	1.875	2.28	1.44	1.25	.875	1.250	.752	1.002	.750	.438	.406	3/8-16	214	3/8-16X2.00
W172-16-16	W177-16-16	1.00	1.94	2.75	1.031	2.062	2.62	1.66	1.50	1.062	1.560	1.002	1.002	.875	.438	.406	3/8-16	219	3/8-16X2.25
W172-20-16	W177-20-16	1.00	1.94	2.75	1.031	2.062	2.62	1.66	1.50	1.062	1.560	1.002	1.252	1.000	.500	.406	3/8-16	219	3/8-16X2.25
W172-20-20	W177-20-20	1.25	2.19	3.12	1.188	2.312	3.00	1.91	1.81	1.188	1.750	1.252	1.252	1.125	.500	.469	7/16-14	222	7/16-14X2.75
W172-24-20	W177-24-20	1.25	2.19	3.12	1.188	2.312	3.00	1.91	1.81	1.188	1.750	1.252	1.502	1.250	.562	.469	7/16-14	222	7/16-14X2.75
W172-24-24	W177-24-24	1.50	2.56	3.69	1.406	2.750	3.33	2.05	2.00	1.312	2.115	1.502	1.502	1.375	.562	.531	1/2-13	225	1/2-13X3.00
W172-28-24	W177-28-24	1.50	2.56	3.69	1.406	2.750	3.33	2.05	2.00	1.312	2.115	1.502	1.752	1.500	.562	.531	1/2-13	225	1/2-13X3.00
W172-32-32	W177-32-32	2.00	3.06	4.33	1.688	3.062	3.81	2.28	2.50	1.656	2.490	2.002	2.002	1.875	.625	.531	1/2-13	228	1/2-13X3.50
W172-36-32	W177-36-32	2.00	3.06	4.33	1.688	3.062	3.81	2.28	2.50	1.656	2.490	2.002	2.252	2.000	.625	.531	1/2-13	228	1/2-13X3.50

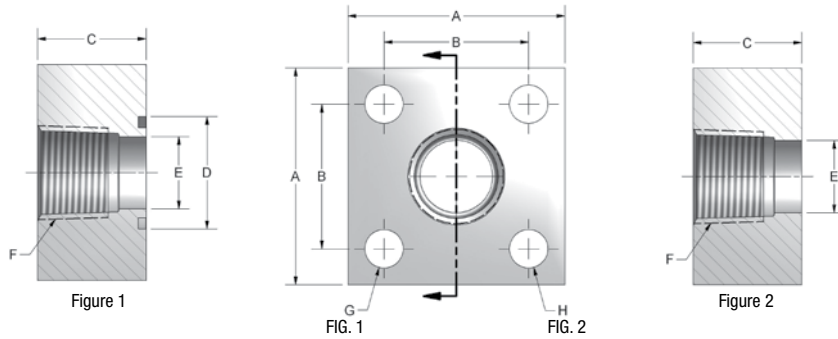
CODE 62 ELBOW SOCKET WELD - TUBE

PART NO. O-RING FIG. 1	PART NO. FLAT FACE FIG. 2	PAD SIZE	A	B	C	D	E	F	G	H	J	K	L	M	N	P	R UNC-2B	MOUNTING HARDWARE	
																		O-RING	SHCS
W182-12-12	W187-12-12	.75	1.94	2.75	.937	2.000	2.62	1.66	1.50	1.062	1.250	.752	.752	.625	.56	.406	3/8-16	214	3/8-16X2.25
W182-16-12	W187-16-12	.75	1.94	2.75	.937	2.000	2.62	1.66	1.50	1.062	1.250	.752	1.002	.750	.62	.406	3/8-16	214	3/8-16X2.25
W182-16-16	W187-16-16	1.00	2.19	3.12	1.093	2.250	3.00	1.91	1.81	1.188	1.560	1.002	1.002	.875	.62	.492	7/16-14	219	7/16-14X2.50
W182-20-16	W187-20-16	1.00	2.19	3.12	1.093	2.250	3.00	1.91	1.81	1.188	1.560	1.002	1.252	1.000	.69	.492	7/16-14	219	7/16-14X2.50
W182-20-20	W187-20-20	1.25	2.56	3.69	1.250	2.625	3.32	2.05	2.00	1.312	1.750	1.252	1.252	1.125	.69	.531	1/2-13	222	1/2-13X3.00
W182-24-20	W187-24-20	1.25	2.56	3.69	1.250	2.625	3.32	2.05	2.00	1.312	1.750	1.252	1.502	1.250	.75	.531	1/2-13	222	1/2-13X3.00
W182-24-24	W187-24-24	1.50	3.06	4.33	1.437	3.125	3.81	2.28	2.50	1.656	2.115	1.502	1.502	1.375	.75	.656	5/8-11	225	5/8-11X3.50
W182-28-24	W187-28-24	1.50	3.06	4.33	1.437	3.125	3.81	2.28	2.50	1.656	2.115	1.502	1.752	1.500	.75	.656	5/8-11	225	5/8-11X3.50

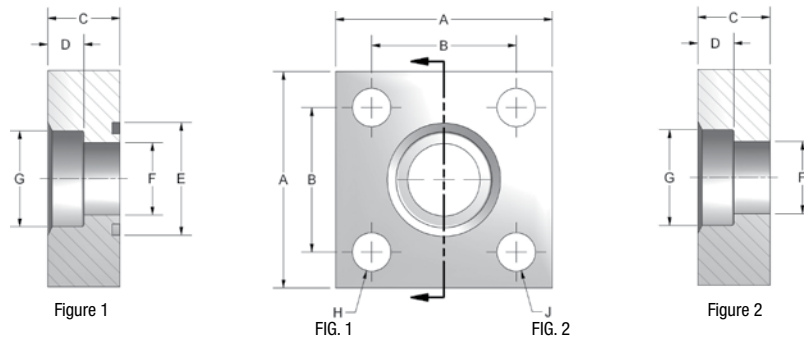
Mounting kit available on o-ring grooved flanges by simply adding suffix letter 'U' to part number.



# 3000 Series Square Pattern



3000 SERIES SQUARE NPTF THREAD												
PART NO. O-RING FIG. 1	PART NO. FLAT FACE FIG. 2	PAD SIZE	A	B	C	D	E	F	G	H UNC-2B	MOUNTING HARDWARE	
											O-RING	SHCS
W65-12	W75-12	.75	2.25	1.438	1.25	1.250	.752	.75	.406	3/8-16	214	3/8-16X2.00
W65-16	W75-16	1.00	3.00	2.000	1.50	1.560	1.002	1.00	.531	1/2-13	219	1/2-13X2.25
W65-20	W75-20	1.25	3.00	2.000	1.50	1.750	1.252	1.25	.531	1/2-13	222	1/2-13X2.25
W65-24	W75-24	1.50	4.00	2.750	1.75	2.115	1.502	1.50	.656	5/8-11	225	5/8-11X2.75
W65-32	W75-32	2.00	4.00	2.750	1.75	2.490	2.002	2.00	.656	5/8-11	228	5/8-11X2.75
W65-40	W75-40	2.50	5.50	3.750	2.25	2.995	2.502	2.50	.906	7/8-9	232	7/8-9X3.50
W65-48	W75-48	3.00	5.50	3.750	2.25	3.615	3.002	3.00	.906	7/8-9	237	7/8-9X3.50



3000 SERIES SQUARE SOCKET WELD - PIPE													
PART NO. O-RING FIG. 1	PART NO. FLAT FACE FIG. 2	PAD SIZE	A	B	C	D	E	F	G	H	J UNC-2B	MOUNTING HARDWARE	
												O-RING	SHCS
W66-12	W76-12	.75	2.25	1.438	1.00	.50	1.250	.752	1.062	.406	3/8-16	214	3/8-16X1.75
W66-16	W76-16	1.00	3.00	2.000	1.00	.50	1.560	1.002	1.328	.531	1/2-13	219	1/2-13X1.75
W66-20	W76-20	1.25	3.00	2.000	1.00	.50	1.750	1.252	1.672	.531	1/2-13	222	1/2-13X1.75
W66-24	W76-24	1.50	4.00	2.750	1.25	.62	2.115	1.502	1.922	.656	5/8-11	225	5/8-11X2.25
W66-32	W76-32	2.00	4.00	2.750	1.25	.62	2.490	2.002	2.406	.656	5/8-11	228	5/8-11X2.25
W66-40	W76-40	2.50	5.50	3.750	1.50	.75	2.995	2.502	2.906	.906	7/8-9	232	7/8-9X2.75
W66-48	W76-48	3.00	5.50	3.750	1.50	.75	3.615	3.002	3.547	.906	7/8-9	237	7/8-9X2.75
W66-64	W76-64	4.00	7.00	5.000	2.00	.75	4.625	3.880	4.578	1.060	1-8	347	1-8X3.50

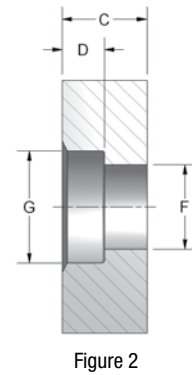
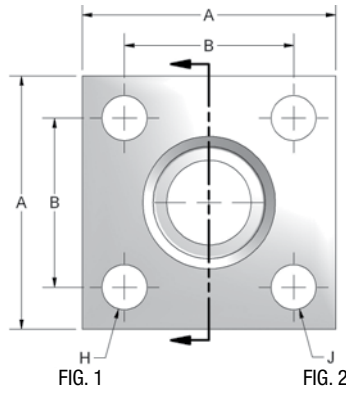
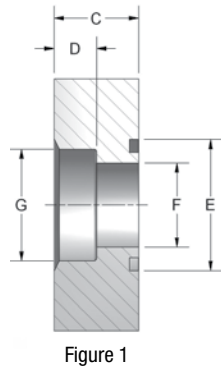
\*HHCS provided on 7/8" size bolts and larger.

Mounting kit available on o-ring grooved flanges by simply adding suffix letter 'U' to part number.





# 6000 Series Square Pattern



6000 SERIES SQUARE SOCKET WELD - PIPE													
PART NO. O-RING FIG. 1	PART NO. FLAT FACE FIG. 2	PIPE SIZE	A	B	C	D	E	F	G	H	J UNC-2B	MOUNTING HARDWARE	
												O-RING	SHCS
W56-40	W57-40	2.50	5.50	3.750	1.75	.75	2.995	2.12	2.911	.94	7/8-9	232	7/8-9X3.50
W56-48	W57-48	3.00	6.75	4.750	2.00	.75	3.615	2.62	3.540	1.06	1-8	236	1-8X4.00
W56-56	W57-56	3.50	8.00	5.500	2.40	1.002	3.990	3.00	4.045	1.31	1 1/4-7	342	1 1/4X5.00
W56-64	W57-64	4.00	8.50	6.000	2.40	1.002	4.490	3.44	4.550	1.31	1 1/4-7	346	1 1/4X5.00
W56-80	W57-80	5.00	10.00	7.250	2.90	1.002	5.365	4.31	5.625	1.56	1 1/2-6	353	1 1/2X6.00

\*HHCS provided on 7/8" size bolts and larger.

Mounting kit available on o-ring grooved flanges by simply adding suffix letter 'U' to part number.

FLOW NEEDLE  
& CHECK VALVES

HYDRAULIC  
BALL VALVES

WELD  
COUPLINGS

HPU SUCTION &  
RETURN CONNECTIONS

FLANGES  
CARBON STEEL

FLANGES  
STAINLESS STEEL





## AFP SUPPLIED 18-8(304) STAINLESS STEEL FASTENER TORQUE REQUIREMENTS

CODE 61 SAE J518-1 / ISO 6162-1 BOLT PATTERN		
DASH SIZE	INCH SIZE	SOCKET AND HEX HEAD FASTENER TORQUE VALUE
		18-8 UNC (LB-FT)
-8	1/2"	9
-12	3/4"	16
-16	1"	16
-20	1 1/4"	26
-24	1 1/2"	40
-32	2"	40
-40	2 1/2"	40
-48	3"	79
-56	3 1/2"	79
-64	4"	79
-80	5"	79

CODE 62 SAE J518-2 / ISO 6162-2 BOLT PATTERN		
DASH SIZE	INCH SIZE	SOCKET AND HEX HEAD FASTENER TORQUE VALUE
		18-8 UNC (LB-FT)
-8	1/2"	9
-12	3/4"	16
-16	1"	26
-20	1 1/4"	40
-24	1 1/2"	79
-32	2"	140*

\*-32 CODE 62 Hex Head torque value is 97 (lb-ft).

NOTE - All stainless steel fastener torque values were configured using regular grade Never-Seez<sup>®</sup> as lubricant. Use of another lubricant on fasteners can affect torque value. Consult factory for additional information.



**SAE J518 Split/Captive Flanges**

For SAE Flanged Head Connection

CD 61 - CD 62	<b>116</b>
CD 61 - CD 62	<b>117</b>

**SAE 4 Bolt Flanges**

CD 61 - CD 62 Blanking	<b>118</b>
CD 61 - CD 62 NPTF	<b>119</b>
CD 61 - CD 62 SAE Thread	<b>120</b>
CD 61 - CD 62 Flat Socket	<b>121</b>
CD 61 - CD 62 Deep Socket Weld Pipe	<b>122</b>
CD 61 Butt Weld-Sched 40/Sched 80/Sched 160	<b>123</b>
D 62 Butt Weld-Sched 80/Sched 160/Sched XXS	<b>124</b>
CD 61 - CD 62 Elbow Socket Weld	<b>125</b>
CD 61 - CD 62 Elbow Block	<b>126</b>

**Square 4 Bolt Flanges**

3000 Series Flat Socket Weld	<b>128</b>
3000 Series NPTF Thread	<b>128</b>

\* The use of stainless steel fasteners may reduce the maximum working pressure of the assembly.

The standard grade of material for Anchor’s stainless steel flanges is 316L. Other material grades are available upon request. In addition, material grades and flange dimensions may vary due to availability of raw material.

FLOW NEEDLE  
& CHECK VALVES

HYDRAULIC  
BALL VALVES

WELD  
COUPLINGS

HPU SUCTION &  
RETURN CONNECTIONS

FLANGES  
CARBON STEEL

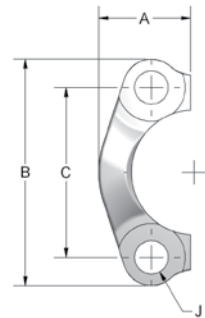
FLANGES  
STAINLESS STEEL

# J518 Split & Captive Flange

CODE 61 SPLIT FLANGE													
*PART NO.	**KIT PART NO.	FLANGE SIZE	A	B	C	D	E	F	G	H	J	MOUNTING HARDWARE	
												O-RING	HHCS
8SF-2-SS	8SFO-SS	.50	.86	2.12	1.500	.75	.50	1.219	.955	.245	.344	210	5/16-18X1.25
12SF-2-SS	12SFO-SS	.75	.98	2.56	1.875	.88	.56	1.531	1.265	.245	.406	214	3/8-16X1.25
16SF-2-SS	16SFO-SS	1.00	1.11	2.75	2.062	.94	.62	1.781	1.515	.295	.406	219	3/8-16X1.25
20SF-2-SS	20SFO-SS	1.25	1.39	3.12	2.312	.88	.56	2.031	1.720	.295	.469	222	7/16-14X1.50
24SF-2-SS	24SFO-SS	1.50	1.58	3.69	2.750	1.00	.62	2.406	2.000	.295	.531	225	1/2-13X1.50
32SF-2-SS	32SFO-SS	2.00	1.86	4.00	3.062	1.03	.62	2.844	2.470	.355	.531	228	1/2-13X1.50
40SF-2-SS	40SFO-SS	2.50	2.09	4.50	3.500	1.50	.75	3.344	2.950	.355	.531	232	1/2-13X1.75
48SF-2-SS	48SFO-SS	3.00	2.53	5.31	4.188	1.62	.88	4.031	3.580	.355	.656	237	5/8-11X1.75
56SF-2-SS	56SFO-SS	3.50	2.70	6.00	4.750	1.12	.88	4.531	4.030	.422	.656	241	5/8-11X2.00
64SF-2-SS	64SFO-SS	4.00	2.95	6.38	5.125	1.38	1.00	5.031	4.530	.422	.656	245	5/8-11X2.00

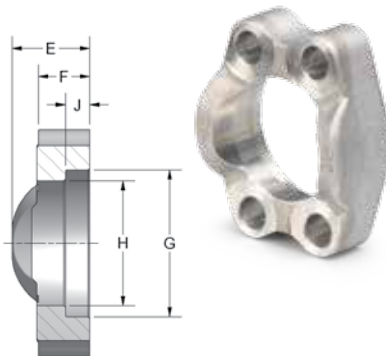


CODE 62 SPLIT FLANGE													
*PART NO.	**KIT PART NO.	FLANGE SIZE	A	B	C	D	E	F	G	H	J	MOUNTING HARDWARE	
												O-RING	HHCS
8SFX-2-SS	8SFXO-SS	.50	.89	2.22	1.594	.88	.62	1.281	.970	.285	.344	210	5/16-18X1.25
12SFX-2-SS	12SFXO-SS	.75	1.14	2.81	2.000	1.12	.75	1.656	1.280	.325	.406	214	3/8-16X1.50
16SFX-2-SS	16SFXO-SS	1.00	1.33	3.19	2.250	1.31	.94	1.906	1.530	.355	.469	219	7/16-14X1.75
20SFX-2-SS	20SFXO-SS	1.25	1.48	3.75	2.625	1.50	1.06	2.156	1.750	.385	.531	222	1/2-13X1.75
24SFX-2-SS	24SFXO-SS	1.50	1.83	4.44	3.125	1.69	1.19	2.531	2.030	.475	.656	225	5/8-11X2.25
32SFX-2-SS	32SFXO-SS	2.00	2.20	5.25	3.812	2.06	1.44	3.156	2.660	.475	.781	228	3/4-10X2.75

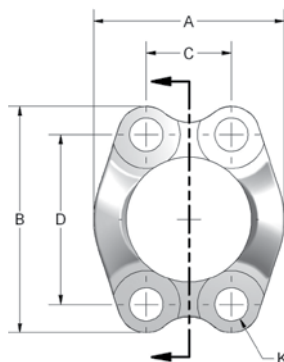


\*Anchor part # includes: (1) split flange half only

\*\*Kit part # includes: (2) split flange halves, (4) hex head bolts with lockwashers, and (1) Viton O-Ring



CODE 61 CAPTIVE FLANGE													
DRILLED PART NO.	TAPPED PART NO.	FLANGE SIZE	A	B	C	D	E	F	G	H	J	K	K UNC-2B
8SFW-SS	8SFTW-SS	.50	1.81	2.12	.688	1.500	.75	.50	1.219	.955	.245	.344	5/16-18
12SFW-SS	12SFTW-SS	.75	2.06	2.56	.875	1.875	.88	.56	1.531	1.265	.245	.406	3/8-16
16SFW-SS	16SFTW-SS	1.00	2.31	2.75	1.031	2.062	.94	.62	1.781	1.515	.295	.406	3/8-16
20SFW-SS	20SFTW-SS	1.25	2.88	3.12	1.188	2.312	.88	.56	2.031	1.720	.295	.469	7/16-14
24SFW-SS	24SFTW-SS	1.50	3.25	3.69	1.406	2.750	1.00	.62	2.406	2.000	.295	.531	1/2-13
32SFW-SS	32SFTW-SS	2.00	3.81	4.00	1.688	3.062	1.03	.62	2.844	2.470	.355	.531	1/2-13
40SFW-SS	40SFTW-SS	2.50	4.28	4.50	2.000	3.500	1.50	.75	3.344	2.950	.355	.531	1/2-13
48SFW-SS	48SFTW-SS	3.00	5.16	5.31	2.438	4.188	1.62	.88	4.031	3.580	.355	.656	5/8-11
56SFW-SS	56SFTW-SS	3.50	5.50	6.00	2.750	4.750	1.12	.88	4.531	4.030	.422	.656	5/8-11
64SFW-SS	64SFTW-SS	4.00	6.00	6.38	3.062	5.125	1.38	1.00	5.031	4.530	.422	.656	5/8-11



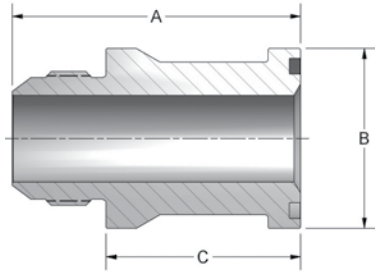
CODE 62 CAPTIVE FLANGE													
DRILLED PART NO.	TAPPED PART NO.	FLANGE SIZE	A	B	C	D	E	F	G	H	J	K	K UNC-2B
8SFXW-SS	8SFXTW-SS	.50	1.86	2.22	.718	1.594	.88	.62	1.281	.970	.285	.344	5/16-18
12SFXW-SS	12SFXTW-SS	.75	2.38	2.81	.937	2.000	1.12	.75	1.656	1.280	.325	.406	3/8-16
16SFXW-SS	16SFXTW-SS	1.00	2.75	3.19	1.093	2.250	1.31	.94	1.906	1.530	.355	.469	7/16-14
20SFXW-SS	20SFXTW-SS	1.25	3.06	3.75	1.250	2.625	1.50	1.06	2.156	1.750	.385	.531	1/2-13
24SFXW-SS	24SFXTW-SS	1.50	3.75	4.44	1.437	3.125	1.69	1.19	2.531	2.030	.475	.656	5/8-11
32SFXW-SS	32SFXTW-SS	2.00	4.50	5.25	1.750	3.812	2.06	1.44	3.156	2.660	.475	.781	3/4-10



866-FLANGES | 513.527.4444 | Fax 513.527.4449

sales@anchorfluidpower.com | anchorfluidpower.com

# Split Flange Adapters



FLOW NEEDLE  
& CHECK VALVES

HYDRAULIC  
BALL VALVES

WELD  
COUPLINGS

HPU SUCTION &  
RETURN CONNECTIONS

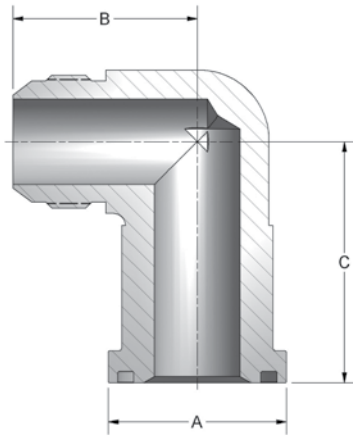
FLANGES  
CARBON STEEL

FLANGES  
STAINLESS STEEL

CODE 61 JIC THREAD						
PART NO.	TUBE O.D.	FLANGE SIZE	A	B	C	THREAD
300-8-8-SS	1/2	1/2	2.60	1.188	1.94	3/4-16
300-12-12-SS	3/4	3/4	2.75	1.500	1.89	1 1/16-12
300-16-16-SS	1	1	2.80	1.750	1.89	1 5/16-12
300-20-20-SS	1 1/4	1 1/4	2.80	2.000	1.84	1 5/8-12
300-24-24-SS	1 1/2	1 1/2	3.50	2.375	2.42	1 7/8-12

CODE 62 JIC THREAD						
PART NO.	TUBE O.D.	FLANGE SIZE	A	B	C	THREAD
600-12-12-SS	3/4	3/4	2.75	1.625	1.89	1 1/16-12
600-16-16-SS	1	1	2.80	1.875	1.89	1 5/16-12
600-20-20-SS	1 1/4	1 1/4	3.05	2.125	2.09	1 5/8-12
600-24-24-SS	1 1/2	1 1/2	3.50	2.500	2.42	1 7/8-12

For additional jump sizes, please consult factory.

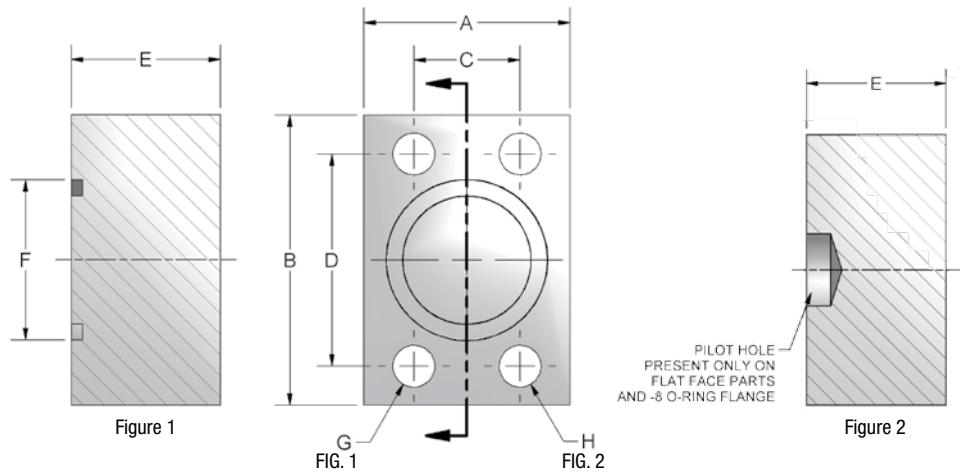


CODE 61 90 DEGREE JIC THREAD						
PART NO.	TUBE O.D.	FLANGE SIZE	A	B	C	THREAD
390-12-12-SS	3/4	3/4	1.500	1.66	2.13	1 1/16-12
390-16-16-SS	1	1	1.750	1.81	2.37	1 5/16-12
390-20-20-SS	1 1/4	1 1/4	2.000	2.06	2.62	1 5/8-12
390-24-24-SS	1 1/2	1 1/2	2.375	2.33	3.15	1 7/8-12

CODE 62 90 DEGREE JIC THREAD						
PART NO.	TUBE O.D.	FLANGE SIZE	A	B	C	THREAD
690-12-12-SS	3/4	3/4	1.625	1.66	2.13	1 1/16-12
690-16-16-SS	1	1	1.875	1.81	2.37	1 5/16-12
690-20-20-SS	1 1/4	1 1/4	2.125	2.06	2.76	1 5/8-12
690-24-24-SS	1 1/2	1 1/2	2.500	2.33	3.15	1 7/8-12

For additional jump sizes, please consult factory.

# Blanking



CODE 61 BLANKING												
PART NO. O-RING FIG. 1	PART NO. FLAT FACE FIG. 2	PAD	A	B	C	D	E	F	G	H UNC-2B	MOUNTING HARDWARE	
											O-RING	SHCS
W36-8-8-SS	W37-8-8-SS	.50	1.50	2.12	.688	1.50	1.20	1.000	.344	5/16-18	210	5/16-18X2.00
W36-12-12-SS	W37-12-12-SS	.75	1.75	2.62	.875	1.875	1.20	1.250	.406	3/8-16	214	3/8-16X2.00
W36-16-16-SS	W37-16-16-SS	1.00	2.00	2.82	1.031	2.063	1.45	1.560	.406	3/8-16	219	3/8-16X2.25
W36-20-20-SS	W37-20-20-SS	1.25	2.50	3.19	1.188	2.313	1.45	1.750	.469	7/16-14	222	7/16-14X2.25
W36-24-24-SS	W37-24-24-SS	1.50	2.75	3.75	1.406	2.750	1.70	2.115	.531	1/2-13	225	1/2-13X2.50
W36-32-32-SS	W37-32-32-SS	2.00	3.25	4.00	1.688	3.063	1.70	2.490	.531	1/2-13	228	1/2-13X2.50
W36-40-40-SS	W37-40-40-SS	2.50	4.00	4.50	2.000	3.500	1.95	2.995	.531	1/2-13	232	1/2-13X2.75
W36-48-48-SS	W37-48-48-SS	3.00	4.50	5.31	2.438	4.188	2.20	3.615	.656	5/8-11	237	5/8-11X3.50
W36-56-56-SS	W37-56-56-SS	3.50	5.00	6.00	2.750	4.750	1.45	4.095	.656	5/8-11	241	5/8-11X2.75
W36-64-64-SS	W37-64-64-SS	4.00	5.50	6.38	3.062	5.125	1.45	4.595	.656	5/8-11	245	5/8-11X2.75

CODE 62 BLANKING												
PART NO. O-RING FIG. 1	PART NO. FLAT FACE FIG. 2	PAD	A	B	C	D	E	F	G	H UNC-2B	MOUNTING HARDWARE	
											O-RING	SHCS
W38-8-8-SS	W39-8-8-SS	.50	1.75	2.22	.718	1.594	.94	1.000	.344	5/16-18	210	5/16-18X1.50
W38-12-12-SS	W39-12-12-SS	.75	2.00	2.81	.937	2.000	1.19	1.250	.406	3/8-16	214	3/8-16X2.00
W38-16-16-SS	W39-16-16-SS	1.00	2.25	3.19	1.093	2.250	1.44	1.560	.492	7/16-14	219	7/16-14X2.25
W38-20-20-SS	W39-20-20-SS	1.25	2.75	3.75	1.250	2.625	1.44	1.750	.531	1/2-13	222	1/2-13X2.50
W38-24-24-SS	W39-24-24-SS	1.50	3.25	4.50	1.437	3.125	1.69	2.115	.656	5/8-11	225	5/8-11X2.75
W38-32-32-SS	W39-32-32-SS	2.00	4.00	5.25	1.750	3.812	1.69	2.490	.781	3/4-10	228	3/4-10X3.00
W38-40-40-SS	W39-40-40-SS	2.50	5.00	6.88	2.311	4.874	1.94	2.995	.906	7/8-9	232	7/8-9X3.75
W38-48-48-SS	W39-48-48-SS	3.00	6.00	8.50	2.811	6.000	2.44	3.615	1.190	1 1/8-7	237	1 1/8-7X4.50

Mounting kit available on o-ring grooved flanges by simply adding suffix letter 'U' to part number.





# NPTF Thread

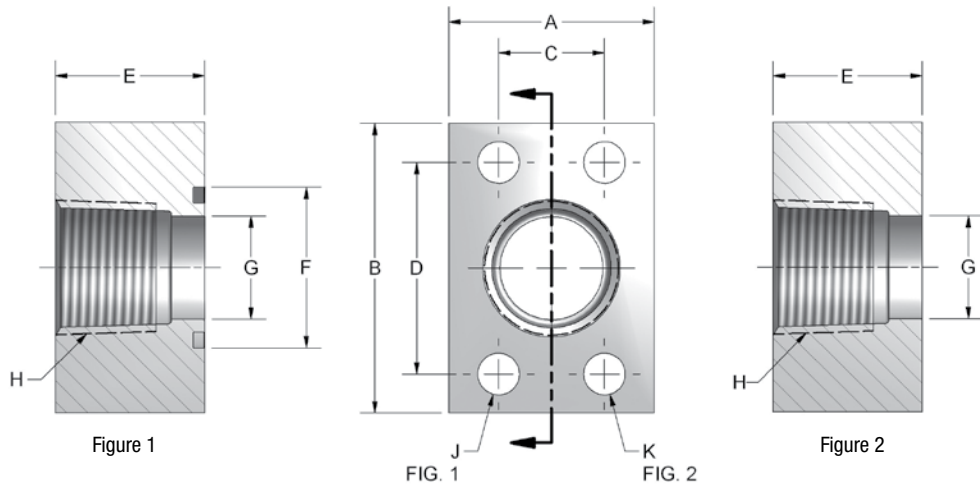


Figure 1

FIG. 1      FIG. 2

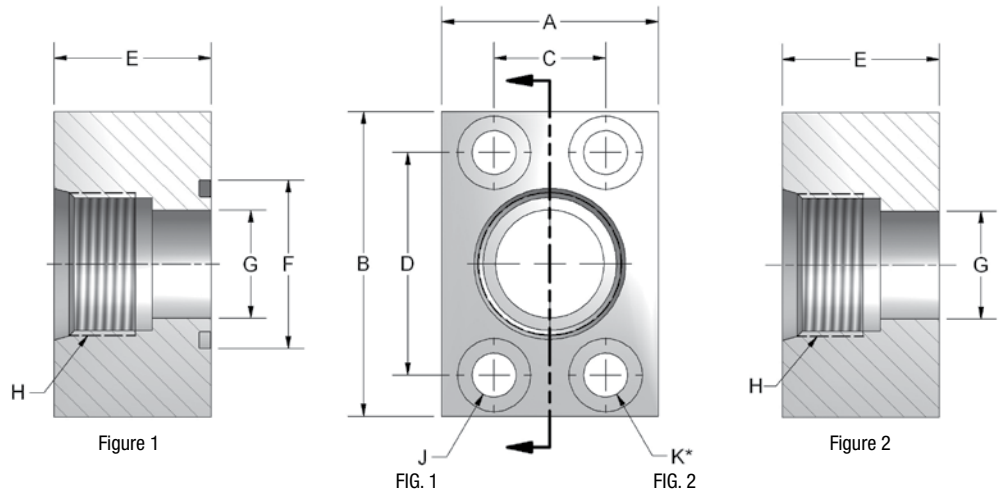
Figure 2

CODE 61 NPTF THREAD															
PART NO. O-RING FIG. 1	PART NO. FLAT FACE FIG. 2	PIPE SIZE	PAD SIZE	A	B	C	D	E	F	G	H	J	K UNC-2B	MOUNTING HARDWARE	
														O-RING	SHCS
W43-8-8-SS	W104-8-8-SS	.50	.50	1.50	2.12	.688	1.500	1.20	1.000	.502	.50	.344	5/16-18	210	5-16-18X1.75
W43-12-12-SS	W104-12-12-SS	.75	.75	1.75	2.62	.875	1.875	1.20	1.250	.752	.75	.406	3/8-16	214	3/8-16X2.00
W43-16-16-SS	W104-16-16-SS	1.00	1.00	2.00	2.82	1.031	2.062	1.45	1.560	1.002	1.00	.406	3/8-16	219	3/8-16X2.25
W43-20-20-SS	W104-20-20-SS	1.25	1.25	2.50	3.19	1.188	2.312	1.45	1.750	1.252	1.25	.469	7/16-14	222	7/16-14X2.25
W43-24-24-SS	W104-24-24-SS	1.50	1.50	2.75	3.75	1.406	2.750	1.70	2.115	1.502	1.50	.531	1/2-13	225	1/2-13X2.50
W43-32-32-SS	W104-32-32-SS	2.00	2.00	3.25	4.00	1.688	3.062	1.70	2.490	2.002	2.00	.531	1/2-13	228	1/2-13X2.50
W43-40-40-SS	W104-40-40-SS	2.50	2.50	4.00	4.50	2.000	3.500	1.95	2.995	2.502	2.50	.531	1/2-13	232	1/2-13X2.75
W43-48-48-SS	W104-48-48-SS	3.00	3.00	4.50	5.31	2.438	4.188	2.20	3.615	3.002	3.00	.656	5/8-11	237	5/8-11X3.00

CODE 62 NPTF THREAD															
PART NO. O-RING FIG. 1	PART NO. FLAT FACE FIG. 2	PIPE SIZE	PAD SIZE	A	B	C	D	E	F	G	H	J	K UNC-2B	MOUNTING HARDWARE	
														O-RING	SHCS
W44-8-8-SS	W45-8-8-SS	.50	.50	1.75	2.22	.718	1.594	.95	1.000	.502	.50	.344	5/16-18	210	5/16-18X1.50
W44-12-12-SS	W45-12-12-SS	.75	.75	2.00	2.81	.937	2.000	1.20	1.250	.752	.75	.406	3/8-16	214	3/8-16X2.00
W44-16-16-SS	W45-16-16-SS	1.00	1.00	2.25	3.19	1.093	2.250	1.45	1.560	1.002	1.00	.492	7/16-14	219	7/16-14X2.50
W44-20-20-SS	W45-20-20-SS	1.25	1.25	2.75	3.75	1.250	2.625	1.45	1.750	1.252	1.25	.531	1/2-13	222	1/2-13X2.25
W44-24-24-SS	W45-24-24-SS	1.50	1.50	3.25	4.50	1.437	3.125	1.70	2.115	1.502	1.50	.656	5/8-11	225	5/8-11X2.75
W44-32-32-SS	W45-32-32-SS	2.00	2.00	4.00	5.25	1.750	3.812	1.70	2.490	2.002	2.00	.781	3/4-10	228	3/4-10X3.00

Mounting kit available on o-ring grooved flanges by simply adding suffix letter 'U' to part number.

# SAE Thread



\*No Counterbore

**CODE 61 SAE STRAIGHT THREAD**

PART NO. O-RING FIG. 1	PART NO. FLAT FACE FIG. 2	TUBE SIZE	PAD SIZE	A	B	C	D	E	F	G	H	J	K UNC-2B	MOUNTING HARDWARE	
														O-RING	SHCS
W46-8-8-SS	W106-8-8-SS	.50	.50	1.50	2.12	.688	1.500	1.20	1.000	.502	3/4-16	.344	5/16-18	210	5-16-18X1.25
W46-12-12-SS	W106-12-12-SS	.75	.75	1.75	2.62	.875	1.875	1.20	1.250	.752	1 1/16-12	.406	3/8-16	214	3/8-16X1.50
W46-16-16-SS	W106-16-16-SS	1.00	1.00	2.00	2.82	1.031	2.062	1.45	1.560	1.002	1 5/16-12	.406	3/8-16	219	3/8-16X1.50
W46-20-20-SS	W106-20-20-SS	1.25	1.25	2.50	3.19	1.188	2.312	1.45	1.750	1.252	1 5/8-12	.469	7/16-14	222	7/16-14X1.75
W46-24-24-SS	W106-24-24-SS	1.50	1.50	2.75	3.75	1.406	2.750	1.70	2.115	1.502	1 7/8-12	.531	1/2-13	225	1/2-13X2.00
*W46-32-32-SS	W106-32-32-SS	2.00	2.00	3.25	4.00	1.688	3.062	1.70	2.490	2.002	2 1/2-12	.531	1/2-13	228	1/2-13X2.00
**W46-40-40-SS	W106-40-40-SS	2.50	2.50	4.00	4.50	2.00	3.50	1.95	3.000	2.500	3-12	.530	1/2-13	232	1/2-13X2.25
**W46-48-48-SS	W106-48-48-SS	3.00	3.00	4.50	5.31	2.44	4.19	2.20	3.62	3.000	3 1/2-12	.660	5/8-11	237	5/8-11X2.25
**W46-64-64-SS	W106-64-64-SS	4.00	4.00	5.50	6.38	3.06	5.13	1.45	4.60	4.000	4 1/2-12	.660	5/8-11	245	5/8-11X1.50

\*1000 PSI max for W46-32-32-SS

\*\*Consult Factory For Working Pressure

**CODE 62 SAE STRAIGHT THREAD**

PART NO. O-RING FIG. 1	PART NO. FLAT FACE FIG. 2	TUBE SIZE	PAD SIZE	A	B	C	D	E	F	G	H	J	K UNC-2B	MOUNTING HARDWARE	
														O-RING	SHCS
W48-8-8-SS	W49-8-8-SS	.50	.50	1.75	2.22	.718	1.594	.95	1.000	.502	3/4-16	.344	5/16-18	210	5/16-18X1.25
W48-12-12-SS	W49-12-12-SS	.75	.75	2.00	2.81	.937	2.000	1.20	1.250	.752	1 1/16-12	.406	3/8-16	214	3/8-16X1.50
W48-16-16-SS	W49-16-16-SS	1.00	1.00	2.25	3.19	1.093	2.250	1.45	1.560	1.002	1 5/16-12	.492	7/16-14	219	7/16-14X1.75
W48-20-20-SS	W49-20-20-SS	1.25	1.25	2.75	3.75	1.250	2.625	1.45	1.750	1.252	1 5/8-12	.531	1/2-13	222	1/2-13X1.50
W48-24-24-SS	W49-24-24-SS	1.50	1.50	3.25	4.50	1.437	3.125	1.70	2.115	1.502	1 7/8-12	.656	5/8-11	225	5/8-11X2.00
W48-32-32-SS	W49-32-32-SS	2.00	2.00	4.00	5.25	1.750	3.812	1.70	2.490	2.002	2 1/2-12	.781	3/4-10	228	3/4-10X2.00

Mounting kit available on o-ring grooved flanges by simply adding suffix letter 'U' to part number.



# Flat Socket Weld Pipe

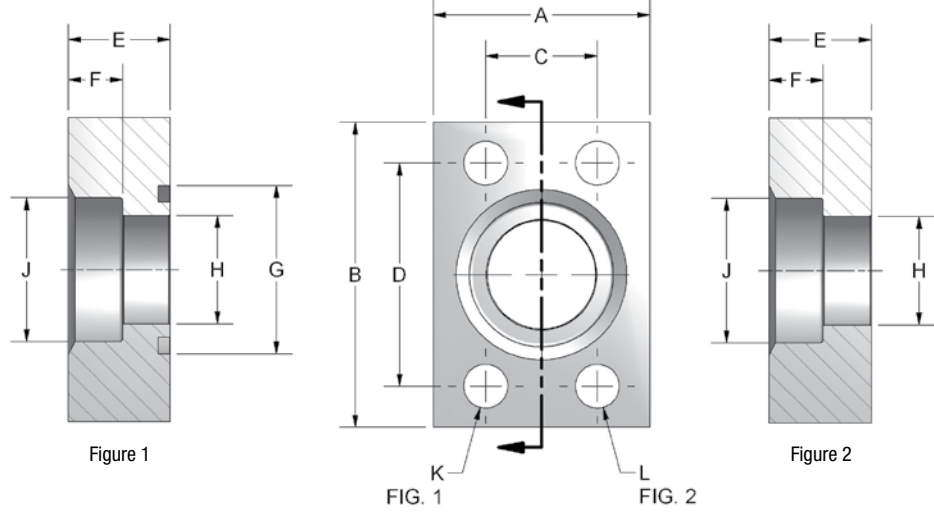


Figure 1

FIG. 1

FIG. 2

Figure 2

### CODE 61 FLAT SOCKET WELD - PIPE

PART NO. O-RING FIG. 1	PART NO. FLAT FACE FIG. 2	PIPE SIZE	PAD SIZE	A	B	C	D	E	F	G	H	J	K	L UNC-2B	MOUNTING HARDWARE	
															O-RING	SHCS
W4-8-8-SS	W61-8-8-SS	.50	.50	1.50	2.12	.688	1.500	.69	.38	1.000	.502	.860	.344	5/16-18	210	5/16-18X1.25
W4-12-12-SS	W61-12-12-SS	.75	.75	1.75	2.62	.875	1.875	.94	.50	1.250	.752	1.070	.406	3/8-16	214	3/8-16X1.75
W4-16-16-SS	W61-16-16-SS	1.00	1.00	2.00	2.82	1.031	2.062	.94	.50	1.560	1.002	1.335	.406	3/8-16	219	3/8-16X1.75
W4-20-20-SS	W61-20-20-SS	1.25	1.25	2.50	3.19	1.188	2.312	.94	.50	1.750	1.252	1.680	.469	7/16-14	222	7/16-14X1.75
W4-24-24-SS	W61-24-24-SS	1.50	1.50	2.75	3.75	1.406	2.750	1.19	.50	2.115	1.502	1.920	.531	1/2-13	225	1/2-13X2.25
W4-32-32-SS	W61-32-32-SS	2.00	2.00	3.25	4.00	1.688	3.062	1.44	.62	2.490	2.002	2.411	.531	1/2-13	228	1/2-13X2.50
W4-40-40-SS	W61-40-40-SS	2.50	2.50	4.00	4.50	2.000	3.500	1.69	.75	2.995	2.502	2.911	.531	1/2-13	232	1/2-13X2.75
W4-48-48-SS	W61-48-48-SS	3.00	3.00	4.50	5.31	2.438	4.188	2.12	1.24	3.615	3.002	3.540	.656	5/8-11	237	5/8-11X3.50

### CODE 62 FLAT SOCKET WELD - PIPE

PART NO. O-RING FIG. 1	PART NO. FLAT FACE FIG. 2	PIPE SIZE	PAD SIZE	A	B	C	D	E	F	G	H	J	K	L UNC-2B	MOUNTING HARDWARE	
															O-RING	SHCS
W59-8-8-SS	W60-8-8-SS	.50	.50	1.75	2.22	.718	1.594	.940	.50	1.000	.502	.860	.344	5/16-18	210	5/16-18X1.50
W59-12-12-SS	W60-12-12-SS	.75	.75	2.00	2.81	.937	2.000	.940	.50	1.250	.752	1.070	.406	3/8-16	214	3/8-16X1.75
W59-16-16-SS	W60-16-16-SS	1.00	1.00	2.25	3.19	1.093	2.250	.940	.50	1.560	1.002	1.335	.492	7/16-14	219	7/16-14X1.75
W59-20-20-SS	W60-20-20-SS	1.25	1.25	2.75	3.75	1.250	2.625	1.19	.50	1.750	1.252	1.672	.531	1/2-13	222	1/2-13X2.25
W59-24-24-SS	W60-24-24-SS	1.50	1.50	3.25	4.50	1.437	3.125	1.44	.50	2.115	1.502	1.920	.656	5/8-11	225	5/8-11X2.75
W59-32-32-SS	W60-32-32-SS	2.00	2.00	4.00	5.25	1.750	3.812	1.69	.62	2.490	2.002	2.411	.781	3/4-10	228	3/4-10X3.00
W59-40-40-SS	W60-40-40-SS	2.50	2.50	5.00	6.88	2.311	4.874	1.94	.62	2.995	2.502	2.911	.906	7/8-9	232	7/8-9X3.50
W59-48-48-SS	W60-48-48-SS	3.00	3.00	6.00	8.50	2.811	6.000	2.44	.62	3.615	3.002	3.540	1.190	1-1/8-7	237	1-1/8-7X4.50

### CODE 61 FLAT SOCKET WELD - PIPE - ALL SIZES 500 PSI

PART NO. O-RING FIG. 1	PART NO. FLAT FACE FIG. 2	PIPE SIZE	PAD SIZE	A	B	C	D	E	F	G	H	J	K	L UNC-2B	MOUNTING HARDWARE	
															O-RING	SHCS
W72-48-48-SS	W91-48-48-SS	3.00	3.00	4.50	5.31	2.438	4.188	1.38	1.13	3.615	3.002	3.540	.656	5/8-11	237	5/8-11X2.50
W72-56-56-SS	W91-56-56-SS	3.50	3.50	5.00	6.00	2.750	4.750	1.44	1.19	4.095	3.502	4.054	.656	5/8-11	241	5/8-11X2.50
W72-64-64-SS	W91-64-64-SS	4.00	4.00	5.50	6.38	3.062	5.125	1.450	1.20	4.595	4.002	4.550	.656	5/8-11	245	5/8-11X2.50

Mounting kit available on o-ring grooved flanges by simply adding suffix letter 'U' to part number.

# Deep Socket Weld Pipe

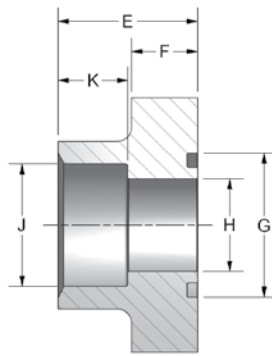


Figure 1

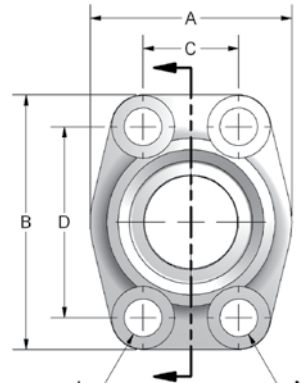


FIG. 1

FIG. 2

Figure 2

CODE 61 DEEP SOCKET WELD - PIPE																	
PART NO. O-RING FIG. 1	PART NO. FLAT FACE FIG. 2	PIPE SIZE	PAD SIZE	A	B	C	D	E	F	G	H	J	K	L	M UNC-2B	MOUNTING HARDWARE	
																O-RING	SHCS
W31-8-8-SS	W3-8-8-SS	.50	.50	1.81	2.13	.688	1.500	1.42	.63	1.000	.502	.855	.75	.344	5/16-18	210	5/16-18X1.25
W31-12-12-SS	W3-12-12-SS	.75	.75	1.97	2.56	.875	1.875	1.42	.71	1.250	.752	1.062	.75	.406	3/8-16	214	3/8-16X1.50
W31-16-16-SS	W3-16-16-SS	1.00	1.00	2.17	2.75	1.031	2.062	1.50	.71	1.560	1.002	1.328	.75	.406	3/8-16	219	3/8-16X1.50
W31-20-20-SS	W3-20-20-SS	1.25	1.25	2.68	3.12	1.188	2.312	1.61	.83	1.750	1.252	1.672	.87	.469	7/16-14	222	7/16-14X1.75
W31-24-24-SS	W3-24-24-SS	1.50	1.50	3.07	3.66	1.406	2.750	1.77	.98	2.115	1.502	1.922	.94	.531	1/2-13	225	1/2-13X1.75
W31-32-32-SS	W3-32-32-SS	2.00	2.00	3.54	4.00	1.688	3.062	1.77	.98	2.490	2.002	2.406	1.02	.531	1/2-13	228	1/2-13X1.75
W31-40-40-SS	W3-40-40-SS	2.50	2.50	4.09	4.49	2.000	3.500	1.97	.98	2.995	2.502	2.908	1.18	.531	1/2-13	232	1/2-13X1.75
W31-48-48-SS	W3-48-48-SS	3.00	3.00	4.88	5.28	2.438	4.188	1.97	1.06	3.615	3.002	3.547	1.34	.656	5/8-11	237	5/8-11X2.00

CODE 62 DEEP SOCKET WELD - PIPE																	
PART NO. O-RING FIG. 1	PART NO. FLAT FACE FIG. 2	PIPE SIZE	PAD SIZE	A	B	C	D	E	F	G	H	J	K	L	M UNC-2B	MOUNTING HARDWARE	
																O-RING	SHCS
W81-8-8-SS	W80-8-8-SS	.50	.50	1.81	2.21	.718	1.594	1.42	.63	1.000	.502	.855	.75	.344	5/16-18	210	5/16-18X1.25
W81-12-12-SS	W80-12-12-SS	.75	.75	2.17	2.80	.937	2.000	1.38	.83	1.250	.752	1.062	.87	.406	3/8-16	214	3/8-16X1.50
W81-16-16-SS	W80-16-16-SS	1.00	1.00	2.56	3.19	1.093	2.250	1.65	.98	1.560	1.002	1.328	.87	.492	7/16-14	219	7/16-14X1.75
W81-20-20-SS	W80-20-20-SS	1.25	1.25	3.07	3.75	1.250	2.625	1.77	1.06	1.750	1.252	1.672	.98	.531	1/2-13	222	1/2-13X1.75
W81-24-24-SS	W80-24-24-SS	1.50	1.50	3.70	4.41	1.437	3.125	1.97	1.18	2.115	1.502	1.922	1.10	.656	5/8-11	225	5/8-11X2.25
W81-32-32-SS	W80-32-32-SS	2.00	2.00	4.50	5.28	1.750	3.812	2.56	1.46	2.490	2.002	2.406	.94	.781	3/4-10	228	3/4-10X2.75

Mounting kit available on o-ring grooved flanges by simply adding suffix letter 'U' to part number.



# Butt Weld Pipe

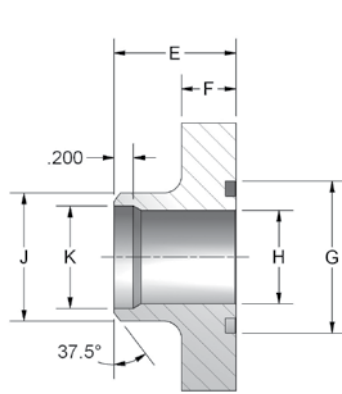


Figure 1

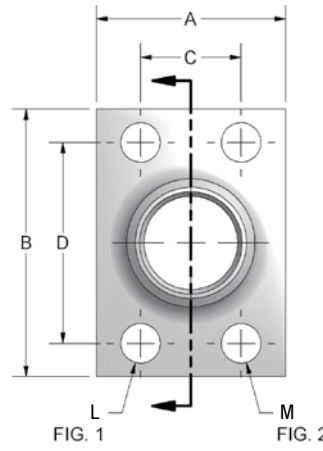


FIG. 1

FIG. 2

Figure 2

**CODE 61 BUTT WELD - SCHEDULE 40 PIPE**

PART NO. O-RING FIG. 1	PART NO. FLAT FACE FIG. 2	PIPE SIZE	PAD SIZE	A	B	C	D	E	F	G	H	J	K	L	M UNC-2B	MOUNTING HARDWARE	
																O-RING	SHCS
W35-8-SS	W34-8-SS	.50	.50	1.47	2.09	.688	1.500	1.06	.50	1.000	.548	.840	.624	.344	5/16-18	210	5/16-18X1.25
W35-12-SS	W34-12-SS	.75	.75	1.69	2.56	.875	1.875	1.06	.50	1.250	.744	1.050	.826	.406	3/8-16	214	3/8-16X1.25
W35-16-SS	W34-16-SS	1.00	1.00	1.94	2.75	1.031	2.062	1.25	.56	1.560	.959	1.315	1.051	.406	3/8-16	219	3/8-16X1.25
W35-20-SS	W34-20-SS	1.25	1.25	2.19	3.12	1.188	2.312	1.44	.62	1.750	1.280	1.660	1.382	.469	7/16-14	222	7/16-14X1.50
W35-24-SS	W34-24-SS	1.50	1.50	2.56	3.69	1.406	2.750	1.75	.81	2.115	1.502	1.900	1.612	.531	1/2-13	225	1/2-13X1.75
W35-32-SS	W34-32-SS	2.00	2.00	3.06	4.00	1.688	3.062	2.00	1.06	2.490	1.941	2.375	2.069	.531	1/2-13	228	1/2-13X2.00
W35-40-SS	W34-40-SS	2.50	2.50	3.56	4.50	2.000	3.500	2.31	1.12	2.995	2.325	2.875	2.471	.531	1/2-13	232	1/2-13X2.00
W35-48-SS	W34-48-SS	3.00	3.00	4.19	5.31	2.438	4.188	2.75	1.62	3.615	2.902	3.500	3.070	.656	5/8-11	237	5/8-11X2.75

**CODE 61 BUTT WELD - SCHEDULE 80 PIPE**

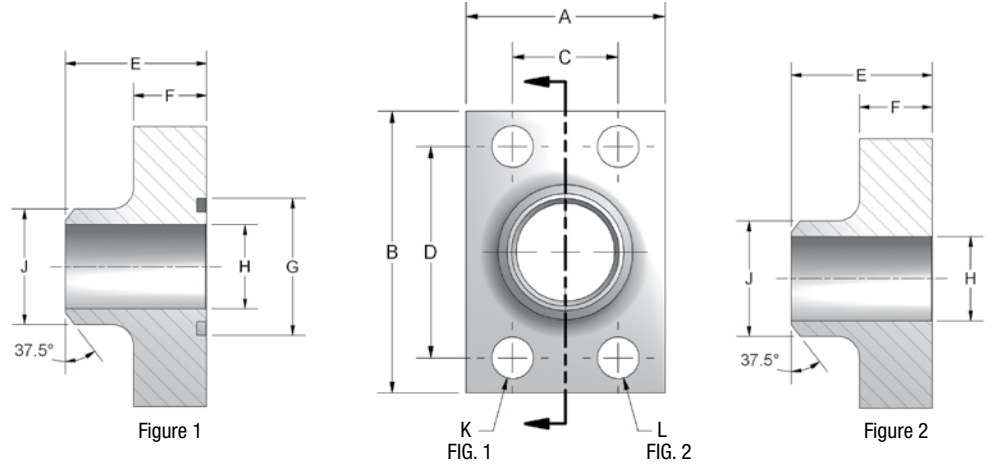
PART NO. O-RING FIG. 1	PART NO. FLAT FACE FIG. 2	PIPE SIZE	PAD SIZE	A	B	C	D	E	F	G	H	J	K	L	M UNC-2B	MOUNTING HARDWARE	
																O-RING	SHCS
W24-8-SS	W23-8-SS	.50	.50	1.50	2.12	.688	1.500	1.06	.50	1.000	.546	.840	SCHEDULE 40 ONLY	.344	5/16-18	210	5/16-18X1.25
W24-12-SS	W23-12-SS	.75	.75	1.69	2.56	.875	1.875	1.06	.50	1.250	.752	1.050		.406	3/8-16	214	3/8-16X1.25
W24-16-SS	W23-16-SS	1.00	1.00	1.94	2.75	1.031	2.062	1.25	.56	1.560	.959	1.315		.406	3/8-16	219	3/8-16X1.25
W24-20-SS	W23-20-SS	1.25	1.25	2.19	3.12	1.188	2.312	1.44	.62	1.750	1.280	1.660		.469	7/16-14	222	7/16-14X1.50
W24-24-SS	W23-24-SS	1.50	1.50	2.56	3.69	1.406	2.750	1.75	.81	2.115	1.502	1.900		.531	1/2-13	225	1/2-13X1.75
W24-32-SS	W23-32-SS	2.00	2.00	3.06	4.00	1.688	3.062	2.00	1.06	2.490	1.941	2.375		.531	1/2-13	228	1/2-13X2.00
W24-40-SS	W23-40-SS	2.50	2.50	3.56	4.50	2.000	3.500	2.31	1.12	2.995	2.325	2.875		.531	1/2-13	232	1/2-13X2.00
W24-48-SS	W23-48-SS	3.00	3.00	4.19	5.31	2.438	4.188	2.75	1.62	3.615	2.902	3.500		.656	5/8-11	237	5/8-11X2.75

**CODE 61 BUTT WELD - SCHEDULE 160 PIPE**

PART NO. O-RING FIG. 1	PART NO. FLAT FACE FIG. 2	PIPE SIZE	PAD SIZE	A	B	C	D	E	F	G	H	J	K	L	M UNC-2B	MOUNTING HARDWARE	
																O-RING	SHCS
W27-8-SS	W25-8-SS	.50	.50	1.50	2.12	.688	1.500	1.06	.50	1.000	.466	.840	SCHEDULE 40 ONLY	.344	5/16-18	210	5/16-18X1.25
W27-12-SS	W25-12-SS	.75	.75	1.69	2.56	.875	1.875	1.06	.50	1.250	.616	1.050		.406	3/8-16	214	3/8-16X1.25
W27-16-SS	W25-16-SS	1.00	1.00	1.94	2.75	1.031	2.062	1.25	.56	1.560	.817	1.315		.406	3/8-16	219	3/8-16X1.25
W27-20-SS	W25-20-SS	1.25	1.25	2.19	3.12	1.188	2.312	1.44	.62	1.750	1.162	1.660		.469	7/16-14	222	7/16-14X1.50
W27-24-SS	W25-24-SS	1.50	1.50	2.56	3.69	1.406	2.750	1.75	.81	2.115	1.339	1.900		.531	1/2-13	225	1/2-13X1.75
W27-32-SS	W25-32-SS	2.00	2.00	3.06	4.00	1.688	3.062	2.00	1.06	2.490	1.691	2.375		.531	1/2-13	228	1/2-13X2.00
W27-40-SS	W25-40-SS	2.50	2.50	3.56	4.50	2.000	3.500	2.31	1.12	2.995	2.127	2.875		.531	1/2-13	232	1/2-13X2.00
W27-48-SS	W25-48-SS	3.00	3.00	4.19	5.31	2.438	4.188	2.75	1.62	3.615	2.626	3.500		.656	5/8-11	237	5/8-11X2.75

Mounting kit available on o-ring grooved flanges by simply adding suffix letter 'U' to part number.

# Butt Weld Pipe



CODE 62 BUTT WELD - SCHEDULE 80 PIPE																
PART NO. O-RING FIG. 1	PART NO. FLAT FACE FIG. 2	PIPE SIZE	PAD SIZE	A	B	C	D	E	F	G	H	J	K	L UNC-2B	MOUNTING HARDWARE	
															O-RING	SHCS
W28-12-SS	W26-12-SS	.75	.75	1.94	2.81	.937	2.000	1.42	.83	1.250	.744	1.050	.406	3/8-16	214	3/8-16X1.50
W28-16-SS	W26-16-SS	1.00	1.00	2.18	3.19	1.093	2.250	1.61	.83	1.560	.959	1.315	.492	7/16-14	219	7/16-14X1.50
W28-20-SS	W26-20-SS	1.25	1.25	2.44	3.75	1.250	2.625	1.73	.94	1.750	1.280	1.660	.531	1/2-13	222	1/2-13X2.00
W28-24-SS	W26-24-SS	1.50	1.50	2.81	4.44	1.437	3.125	2.17	1.10	2.115	1.502	1.900	.656	5/8-11	225	5/8-11X2.25
W28-32-SS	W26-32-SS	2.00	2.00	3.44	5.25	1.750	3.812	2.48	1.46	2.490	1.941	2.375	.781	3/4-10	228	3/4-10X3.00
W28-40-SS	W26-40-SS	2.50	2.50	5.00	6.88	2.311	4.874	2.37	1.50	2.995	2.325	2.875	.940	7/8-9	232	7/8-9X3.00
W28-48-SS	W26-48-SS	3.00	3.00	6.00	8.50	2.811	6.000	2.96	2.00	3.615	2.902	3.500	1.190	1-1/8-7	237	1-1/8-7X4.00

CODE 62 BUTT WELD - SCHEDULE 160 PIPE																
PART NO. O-RING FIG. 1	PART NO. FLAT FACE FIG. 2	PIPE SIZE	PAD SIZE	A	B	C	D	E	F	G	H	J	K	L UNC-2B	MOUNTING HARDWARE	
															O-RING	SHCS
W30-12-SS	W29-12-SS	.75	.75	1.94	2.81	.937	2.000	1.42	.83	1.250	.616	1.050	.406	3/8-16	214	3/8-16X1.50
W30-16-SS	W29-16-SS	1.00	1.00	2.18	3.19	1.093	2.250	1.61	.83	1.560	.817	1.315	.492	7/16-14	219	7/16-14X1.50
W30-20-SS	W29-20-SS	1.25	1.25	2.44	3.75	1.250	2.625	1.73	.94	1.750	1.162	1.660	.531	1/2-13	222	1/2-13X2.00
W30-24-SS	W29-24-SS	1.50	1.50	2.81	4.44	1.437	3.125	2.17	1.10	2.115	1.339	1.900	.656	5/8-11	225	5/8-11X2.25
W30-32-SS	W29-32-SS	2.00	2.00	3.44	5.25	1.750	3.812	2.48	1.46	2.490	1.691	2.375	.781	3/4-10	228	3/4-10X3.00
W30-40-SS	W29-40-SS	2.50	2.50	5.00	6.88	2.311	4.874	2.37	1.50	2.995	2.127	2.875	.940	7/8-9	232	7/8-9X3.00
W30-48-SS	W29-48-SS	3.00	3.00	6.00	8.50	2.811	6.000	2.96	2.00	3.615	2.626	3.500	1.190	1-1/8-7	237	1-1/8-7X4.00

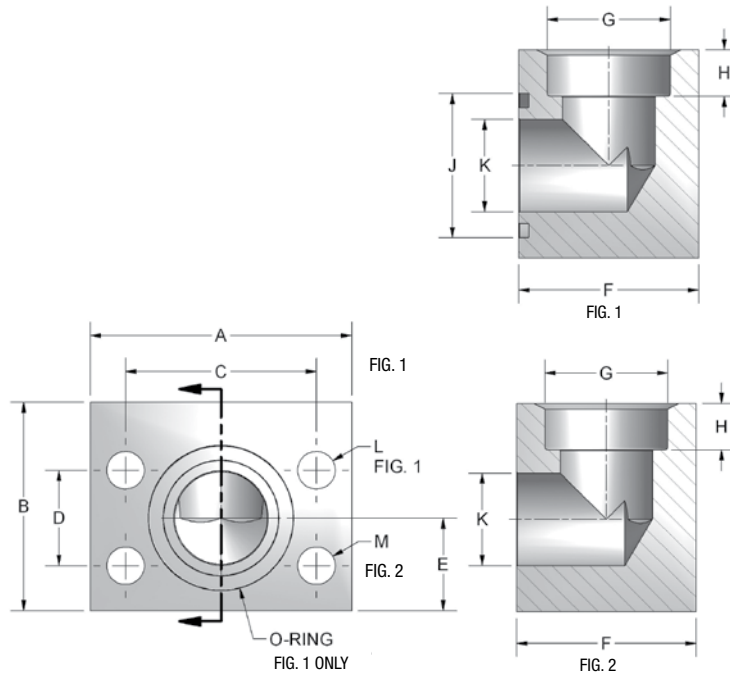
CODE 62 BUTT WELD - SCHEDULE XXS PIPE																
PART NO. O-RING FIG. 1	PART NO. FLAT FACE FIG. 2	PIPE SIZE	PAD SIZE	A	B	C	D	E	F	G	H	J	K	L UNC-2B	MOUNTING HARDWARE	
															O-RING	SHCS
W33-12-SS	W32-12-SS	.75	.75	1.94	2.81	.937	2.000	1.42	.83	1.250	.436	1.050	.406	3/8-16	214	3/8-16X1.50
W33-16-SS	W32-16-SS	1.00	1.00	2.18	3.19	1.093	2.250	1.61	.83	1.560	.601	1.315	.492	7/16-14	219	7/16-14X1.50
W33-20-SS	W32-20-SS	1.25	1.25	2.44	3.75	1.250	2.625	1.73	.94	1.750	.898	1.660	.531	1/2-13	222	1/2-13X2.00
W33-24-SS	W32-24-SS	1.50	1.50	2.81	4.44	1.437	3.125	2.17	1.10	2.115	1.102	1.900	.656	5/8-11	225	5/8-11X2.25
W33-32-SS	W32-32-SS	2.00	2.00	3.44	5.25	1.750	3.812	2.48	1.46	2.490	1.505	2.375	.781	3/4-10	228	3/4-10X3.00
W33-40-SS	W32-40-SS	2.50	2.50	5.00	6.88	2.311	4.874	2.37	1.50	2.995	1.773	2.875	.940	7/8-9	232	7/8-9X3.00
W33-48-SS	W32-48-SS	3.00	3.00	6.00	8.50	2.811	6.000	2.96	2.00	3.615	2.302	3.500	1.190	1-1/8-7	237	1-1/8-7X4.00

Mounting kit available on o-ring grooved flanges by simply adding suffix letter 'U' to part number.





# Socket Weld Pipe Elbow



CODE 61 ELBOW SOCKET WELD - PIPE

PART NO. O-RING FIG. 1	PART NO. FLAT FACE FIG. 2	PIPE SIZE	PAD SIZE	A	B	C	D	E	F	G	H	J	K	L	M UNC-2B	MOUNTING HARDWARE	
																O-RING	SHCS
W176-8-8-SS	W169-8-8-SS	.50	.50	2.12	1.75	1.500	.688	.75	1.44	.855	.380	1.000	.50	.344	5/16-18	210	5/16-18X2.00
W176-12-12-SS	W169-12-12-SS	.75	.75	2.62	2.00	1.875	.875	.88	1.70	1.062	.500	1.250	.75	.406	3/8-16	214	3/8-16X2.50
W176-16-16-SS	W169-16-16-SS	1.00	1.00	2.82	2.25	2.062	1.031	1.00	1.94	1.328	.500	1.560	1.00	.406	3/8-16	219	3/8-16X2.75
W176-20-20-SS	W169-20-20-SS	1.25	1.25	3.19	2.75	2.312	1.188	1.25	2.40	1.672	.500	1.750	1.25	.469	7/16-14	222	7/16-14X3.00
W176-24-24-SS	W169-24-24-SS	1.50	1.50	3.75	3.00	2.750	1.406	1.38	2.90	1.922	.500	2.115	1.50	.531	1/2-13	225	1/2-13X4.00
W176-32-32-SS	W169-32-32-SS	2.00	2.00	4.00	3.50	3.062	1.688	1.62	3.40	2.406	.500	2.490	2.00	.531	1/2-13	228	1/2-13X4.50
W176-40-40-SS	W169-40-40-SS	2.50	2.50	4.50	4.00	3.500	2.000	2.00	3.96	2.906	.500	2.995	2.50	.531	1/2-13	232	1/2-13X5.00
W176-48-48-SS	W169-48-48-SS	3.00	3.00	5.31	5.00	4.188	2.438	2.25	4.96	3.547	.625	3.615	3.00	.656	5/8-11	237	5/8-11X6.00

CODE 62 ELBOW SOCKET WELD - PIPE

PART NO. O-RING FIG. 1	PART NO. FLAT FACE FIG. 2	PIPE SIZE	PAD SIZE	A	B	C	D	E	F	G	H	J	K	L	M UNC-2B	MOUNTING HARDWARE	
																O-RING	SHCS
W186-8-8-SS	W189-8-8-SS	.50	.50	2.22	2.00	1.594	.718	.88	1.46	.860	.380	1.000	.50	.344	5/16-18	210	5/16-18X2.25
W186-12-12-SS	W189-12-12-SS	.75	.75	2.81	2.25	2.000	.937	1.00	1.70	1.062	.500	1.250	.75	.406	3/8-16	214	3/8-16X2.50
W186-16-16-SS	W189-16-16-SS	1.00	1.00	3.19	2.50	2.250	1.093	1.12	2.21	1.328	.500	1.560	1.00	.492	7/16-14	219	7/16-14X3.25
W186-20-20-SS	W189-20-20-SS	1.25	1.25	3.75	3.00	2.625	1.250	1.38	2.44	1.672	.500	1.750	1.25	.531	1/2-13	222	1/2-13X3.25
W186-24-24-SS	W189-24-24-SS	1.50	1.50	4.50	3.50	3.125	1.437	1.62	2.96	1.922	.500	2.115	1.50	.656	5/8-11	225	5/8-11X4.25
W186-32-32-SS	W189-32-32-SS	2.00	2.00	5.25	4.00	3.812	1.750	2.00	3.46	2.406	.500	2.490	2.00	.781	3/4-10	228	3/4-10X5.00

Mounting kit available on o-ring grooved flanges by simply adding suffix letter 'U' to part number.

# Elbow Block

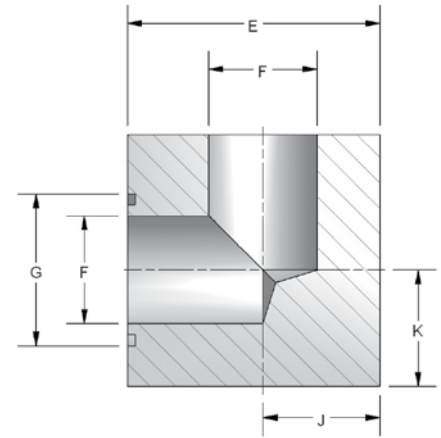


FIG. 1

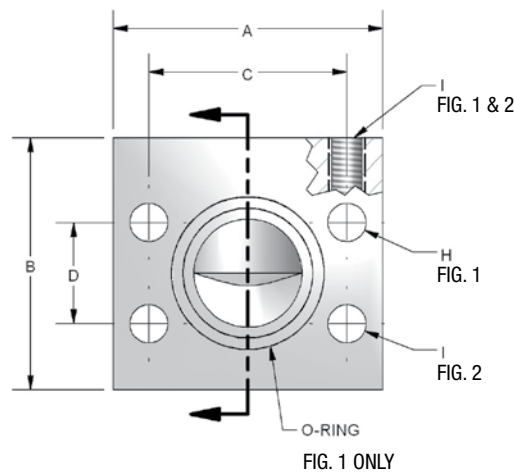


FIG. 1 ONLY

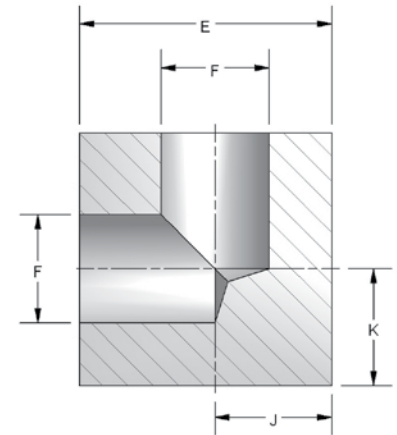


FIG. 2

CODE 61 ELBOW BLOCK															
PART NO. O-RING FIG. 1	PART NO. FLAT FACE FIG. 2	PAD SIZE	A	B	C	D	E	F	G	H	I UNC-2B	J	K	MOUNTING HARDWARE	
														O-RING	SHCS
W14-12-SS	W15-12-SS	.75	2.62	2.50	1.875	.875	2.25	.75	1.250	.406	3/8-16	1.03	1.03	214	3/8-16X3.00
W14-16-SS	W15-16-SS	1.00	2.82	2.50	2.062	1.031	2.50	1.00	1.560	.406	3/8-16	1.16	1.09	219	3/8-16X3.25
W14-20-SS	W15-20-SS	1.25	3.19	3.00	2.312	1.188	3.00	1.25	1.750	.469	7/16-14	1.44	1.31	222	7/16-14X4.00
W14-24-SS	W15-24-SS	1.50	3.75	3.50	2.750	1.406	3.50	1.50	2.115	.531	1/2-13	1.62	1.62	225	1/2-13X4.50
W14-32-SS	W15-32-SS	2.00	4.00	4.00	3.062	1.688	4.00	2.00	2.490	.531	1/2-13	1.91	1.91	228	1/2-13X5.00

CODE 62 ELBOW BLOCK															
PART NO. O-RING FIG. 1	PART NO. FLAT FACE FIG. 2	PAD SIZE	A	B	C	D	E	F	G	H	I UNC-2B	J	K	MOUNTING HARDWARE	
														O-RING	SHCS
W12-12-SS	W13-12-SS	.75	2.82	2.50	2.000	.937	2.50	.750	1.250	.406	3/8-16	1.19	1.06	214	3/8-16X3.50
W12-16-SS	W13-16-SS	1.00	3.19	3.00	2.250	1.093	3.00	1.00	1.560	.469	7/16-14	1.38	1.38	219	7/16-14X4.00
W12-20-SS	W13-20-SS	1.25	3.75	3.50	2.625	1.250	3.50	1.25	1.750	.531	1/2-13	1.62	1.41	222	1/2-13X4.50
W12-24-SS	W13-24-SS	1.50	4.50	4.00	3.125	1.437	4.00	1.50	2.115	.656	5/8-11	1.88	1.75	225	5/8-11X5.00
W12-32-SS	W13-32-SS	2.00	5.25	5.00	3.812	1.75	5.00	2.00	2.490	.781	3/4-10	2.25	2.50	228	3/4-10X6.00

Mounting kit available on o-ring grooved flanges by simply adding suffix letter 'U' to part number.





# Tee Junction Block

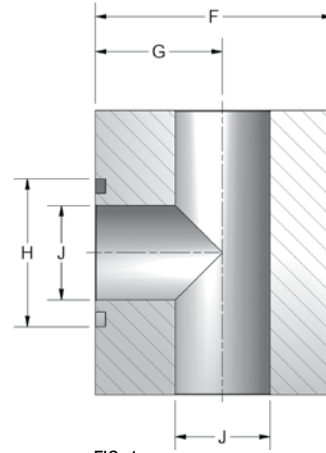


FIG. 1

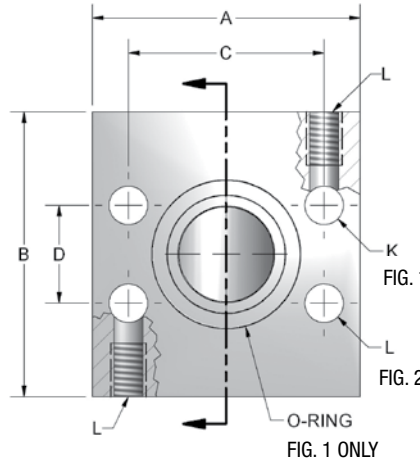


FIG. 1 ONLY

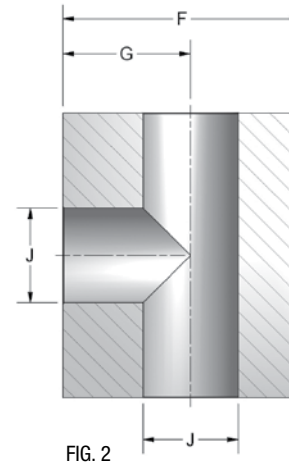


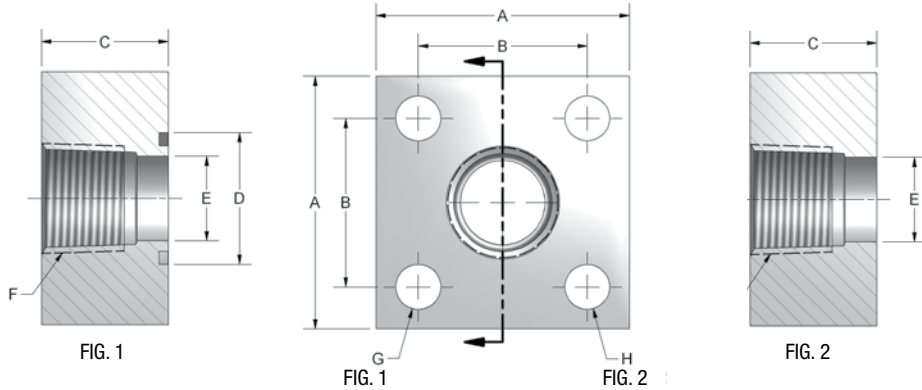
FIG. 2

CODE 61 TEE JUNCTION BLOCK														
PART NO. O-RING FIG. 1	PART NO. FLAT FACE FIG. 2	PAD SIZE	A	B	C	D	F	G	H	J	K	L UNC-2B	MOUNTING HARDWARE	
													O-RING	SHCS
W17-12-SS	W16-12-SS	.75	2.62	2.75	1.875	.875	2.25	1.22	1.250	.75	.406	3/8-16	214	3/8-16X3.00
W17-16-SS	W16-16-SS	1.00	2.82	3.00	2.062	1.031	2.50	1.34	1.560	1.00	.406	3/8-16	219	3/8-16X3.25
W17-20-SS	W16-20-SS	1.25	3.19	3.50	2.312	1.188	3.00	1.56	1.750	1.25	.492	7/16-14	222	7/16-14X4.00
W17-24-SS	W16-24-SS	1.50	3.75	4.00	2.750	1.406	3.50	1.88	2.115	1.50	.531	1/2-13	225	1/2-13X4.50
W17-32-SS	W16-32-SS	2.00	4.00	4.25	3.062	1.688	4.00	2.09	2.490	2.00	.531	1/2-13	228	1/2-13X5.00

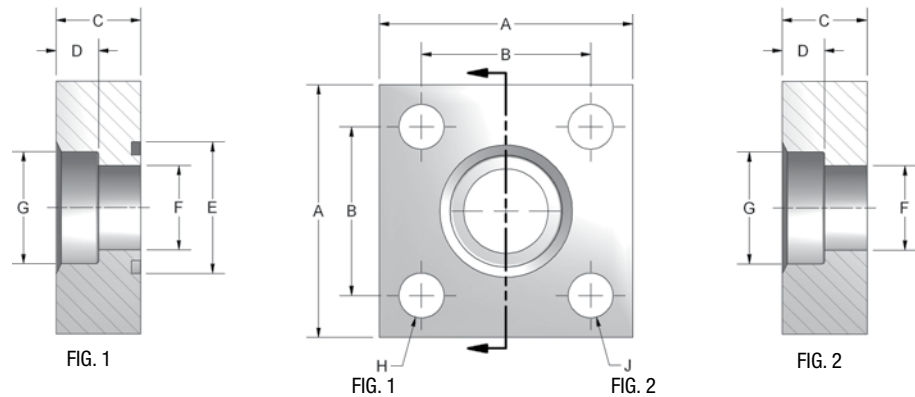
CODE 62 TEE JUNCTION BLOCK															
PART NO. O-RING FIG. 1	PART NO. FLAT FACE FIG. 2	PAD SIZE	A	B	C	D	E	F	G	H	J	K	L UNC-2B	MOUNTING HARDWARE	
														O-RING	SHCS
W19-12-SS	W18-12-SS	.75	2.81	3.00	2.000	.937	1.50	2.50	1.310	1.250	.750	.406	3/8-16	214	3/8-16X3.25
W19-16-SS	W18-16-SS	1.00	3.19	3.50	2.250	1.093	1.75	3.00	1.620	1.560	1.000	.492	7/16-14	219	7/16-14X4.00
W19-20-SS	W18-20-SS	1.25	3.75	4.00	2.625	1.250	2.00	3.50	1.880	1.750	1.250	.531	1/2-13	222	1/2-13X4.50
W19-24-SS	W18-24-SS	1.50	4.50	4.50	3.125	1.437	2.25	4.00	2.120	2.115	1.500	.656	5/8-11	225	5/8-11X5.00
W19-32-SS	W18-32-SS	2.00	5.25	5.00	3.812	1.750	2.50	5.00	2.750	2.490	2.00	.781	3/4-10	228	3/4-10X6.00

Mounting kit available on o-ring grooved flanges by simply adding suffix letter 'U' to part number.

# 3000 Series Square Pattern



3000 SERIES SQUARE NPTF THREAD												
PART NO. O-RING FIG. 1	PART NO. FLAT FACE FIG. 2	PIPE SIZE	A	B	C	D	E	F	G	H UNC-2B	MOUNTING HARDWARE	
											O-RING	SHCS
W65-12-SS	W75-12-SS	.75	2.25	1.438	1.25	1.375	.752	.75	.406	3/8-16	216	3/8-16X2.00
W65-16-SS	W75-16-SS	1.00	3.00	2.000	1.50	1.750	1.002	1.00	.531	1/2-13	222	1/2-13X2.25
W65-20-SS	W75-20-SS	1.25	3.00	2.000	1.50	1.750	1.252	1.25	.531	1/2-13	222	1/2-13X2.25
W65-24-SS	W75-24-SS	1.50	4.00	2.750	1.75	2.500	1.502	1.50	.656	5/8-11	228	5/8-11X2.75
W65-32-SS	W75-32-SS	2.00	4.00	2.750	1.75	2.500	2.002	2.00	.656	5/8-11	228	5/8-11X2.75
W65-40-SS	W75-40-SS	2.50	5.50	3.750	2.25	3.500	2.502	2.50	.906	7/8-9	236	7/8-9X3.50
W65-48-SS	W75-48-SS	3.00	5.50	3.750	2.25	3.500	3.002	3.00	.906	7/8-9	236	7/8-9X3.50



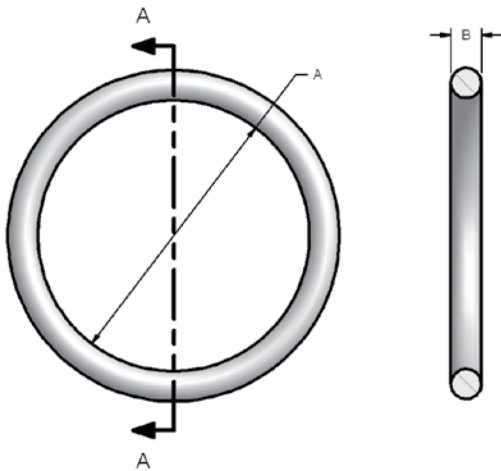
3000 SERIES SQUARE SOCKET WELD - PIPE													
PART NO. O-RING FIG. 1	PART NO. FLAT FACE FIG. 2	PIPE SIZE	A	B	C	D	E	F	G	H	J UNC-2B	MOUNTING HARDWARE	
												O-RING	SHCS
W66-12-SS	W76-12-SS	.75	2.25	1.438	1.00	.50	1.375	.752	1.062	.406	3/8-16	216	3/8-16X1.75
W66-16-SS	W76-16-SS	1.00	3.00	2.000	1.00	.50	1.750	1.002	1.328	.531	1/2-13	222	1/2-13X1.75
W66-20-SS	W76-20-SS	1.25	3.00	2.000	1.00	.50	1.750	1.252	1.672	.531	1/2-13	222	1/2-13X1.75
W66-24-SS	W76-24-SS	1.50	4.00	2.750	1.25	.62	2.500	1.502	1.922	.656	5/8-11	228	5/8-11X2.25
W66-32-SS	W76-32-SS	2.00	4.00	2.750	1.25	.62	2.500	2.002	2.406	.656	5/8-11	228	5/8-11X2.25
W66-40-SS	W76-40-SS	2.50	5.50	3.750	1.50	.75	3.500	2.502	2.906	.906	7/8-9	236	7/8-9X2.75
W66-48-SS	W76-48-SS	3.00	5.50	3.750	1.50	.75	3.500	3.002	3.547	.906	7/8-9	236	7/8-9X2.75
W66-64-SS	W76-64-SS	4.00	7.00	5.000	2.00	.75	4.625	3.880	4.550	1.060	1-8	347	1-8X4.00

Mounting kit available on o-ring grooved flanges by simply adding suffix letter 'U' to part number.



# SAE J518 O-Ring Assortment Kit

Anchor Fluid Power now offers the most commonly sized o-rings for SAE J518 flange connections in one complete kit. This assortment of 90 durometer o-rings is available in Buna or Viton material and comes conveniently packaged in its own rigid case. Request part numbers SAEJ518KIT-B (Buna) and SAEJ518KIT-V (Viton) when inquiring.



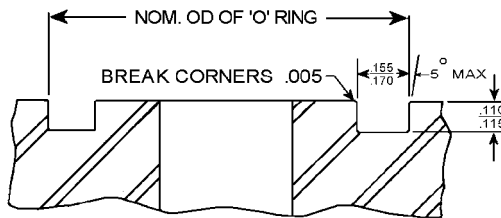
## O-Ring Sizing & Kit Information:

All measurements are in inches.

90 DUROMETER					
QTY	O-RING	SIZE	- SIZE	A	B
20	210	0.50	8	0.75	0.139
20	214	0.75	12	1.00	0.139
20	219	1.00	16	1.31	0.139
20	222	1.25	20	1.50	0.139
20	225	1.50	24	1.88	0.139
20	228	2.00	32	2.25	0.139
20	232	2.50	40	2.75	0.139
20	237	3.00	48	3.38	0.139
5	241	3.50	56	3.88	0.139
5	245	4.00	64	4.38	0.139
*	253	5.00			

\* Not included in Kit.

### STANDARD "ANCHOR FLUID POWER" O-RING GROOVE



#### LIMITED WARRANTY

Anchor Fluid Power warrants only that the products conform to the dimensions set forth in its catalog at the time of sale. Catalog dimensions are subject to change. This warranty is made in lieu of all other warranties, expressed or implied. All other warranties, expressed or implied, **INCLUDING ANY WARRANTY OF MERCHANTABILITY OR FITNESS FOR A PARTICULAR PURPOSE**, are excluded and will not apply to the products sold. If buyer disassembles or modifies the unit in any way, warranty is void. Buyer must obtain written authorization from Anchor Fluid Power prior to returning products. Nonconforming products must be returned to Anchor Fluid Power within 30 days of delivery to buyer. Internal material defects may not be commercially detectable. Under no circumstances will Anchor Fluid Power be liable for any damages or claims with respect to soundness of material. No employee, agent, or representative of Anchor Fluid Power has the authority to vary the terms of the warranty described herein, or to extend this warranty to anyone other than Anchor Fluid Power's direct customers.

#### LIMITATION OF DAMAGES

Buyer's sole and exclusive remedy against Anchor Fluid Power for nonconforming products will be the furnishing of replacement products (F.O.B. Anchor Fluid Power) or refund or credit. Anchor Fluid Power shall not be liable to buyer, its employees, agents, customers, or to any third party for any claim, loss or damage, general or specific, incidental or consequential, including but not limited to death, personal injury, property damage, lost sales or lost profit, which in any way arises out of or in connection with the sale of any product or the use or nonuse of such products, even if Anchor Fluid Power has been advised of the possibility of such loss or damage.

866-FLANGES | 513.527.4444 | Fax 513.527.4449

sales@anchorfluidpower.com | anchorfluidpower.com

# ISO Certificate

**Certificate of Registration**



This is to certify that the Quality Management System of:

**Anchor Fluid Power**  
5553 Murray Rd  
Cincinnati, OH 45227

(Central function listed above. See appendix for additional locations)

applicable to:

**Manufacture and distribution of fluid power components and hydraulic flanges**

has been assessed and approved by  
National Quality Assurance, U.S.A., against the provisions of:

**ISO 9001: 2008**



For and on behalf of  
NQA, USA, 4 Post Office Square,  
Acton, MA 01720



Certificate Number: 10496  
EAC Code: 18  
First Issued: August 6, 1999  
Valid Until: March 10, 2017  
Reissued: March 10, 2014

Page 1 of 2

This approval is subject to the company maintaining its system to the required standard, which will be monitored by NQA, USA, an accredited organization under the ANSI-ASQ National Accreditation Board.



866-FLANGES | 513.527.4444 | Fax 513.527.4449  
sales@anchorfluidpower.com | anchorfluidpower.com

# ISO Certificate

**Certificate of Registration**



Appendix to Certificate Number 10496

**Includes Facilities Located at:**

<b>Anchor Fluid Power</b> Certificate Number 10496 5553 Murray Rd Cincinnati OH 45227 United States of America	Manufacture and distribution of fluid power components and hydraulic flanges
<b>Anchor Fluid Power</b> Certificate Number 10496 6529 Cunningham Road Suite 2404 Houston TX 77041 United States of America	Distribution of fluid power components and hydraulic flanges

**nqa**

First Issued: August 6, 1999  
Valid Until: March 10, 2017  
Reissued: March 10, 2014

Page 2 of 2

This approval is subject to the company maintaining its system to the required standard, which will be monitored by NQA, USA, an accredited organization under the ANSI-ASQ National Accreditation Board.

# ISO Certificate

**Certificate of Registration**



This is to certify that the Environmental Management System of:

**Anchor Fluid Power**  
5553 Murray Rd  
Cincinnati, OH 45227

(Central function listed above. See appendix for additional locations)

applicable to:

**Manufacture and distribution of fluid power components and hydraulic flanges**

has been assessed and approved by  
National Quality Assurance, U.S.A., against the provisions of:

**ISO 14001:2004**



For and on behalf of  
NQA, USA, 4 Post Office Square,  
Acton, MA 01720



Certificate Number: EN10496  
EAC Code: 18  
First Issued: March 18, 2011  
Valid Until: March 10, 2017  
Reissued: March 10, 2014

Page 1 of 2

This approval is subject to the company maintaining its system to the required standard, which will be monitored by NQA, USA, an accredited organization under the ANSI-ASQ National Accreditation Board.



866-FLANGES | 513.527.4444 | Fax 513.527.4449  
sales@anchorfluidpower.com | anchorfluidpower.com

# ISO Certificate

**Anchor Fluid Power**  
Certificate Number EN10496  
5553 Murray Rd  
Cincinnati OH 45227  
United States of America

**Anchor Fluid Power**  
Certificate Number EN10496  
6529 Cunningham Road Suite 2404  
Houston TX 77041  
United States of America

Manufacture and distribution of fluid power components and hydraulic flanges

Distribution of fluid power components and hydraulic flanges

First Issued: March 18, 2011  
Valid Until: March 10, 2017  
Reissued: March 10, 2014

Page 2 of 2

This approval is subject to the company maintaining its system to the required standard, which will be monitored by NQA, USA, an accredited organization under the ANSI-ASQ National Accreditation Board.



## INDEX

300	73	ABS/F	38
300*	117	ABS	32
302	73	ACB/ACBX	85
304	74	ADOS/ADOSX	86
340	74	AE2	16
344	74	AE3	24
390	74	AE3K	26
390*	117	AEF	34
394	75	AES/F	38
600	73	AES	30
600*	117	AFA/AFAC	89
602	73	AOP/AOPX	88
604	74	APK	40
640	74	AS/ASX	78
644	74	AV2	20
690	75	AV3	22
690*	117	C0020ZB	43
694	75	C10106H	43
820	57	C1010ZB	43
825	50	C1200ZB	43
830	50	C2950AV	43
835	51	C69206H	43
835B	51	C81302B	43
840	57	C81306H	43
845	53	C92501Z	43
845B	53	CN	4
850	54	CP/CPX	84
855B	55	CS	4
860	54	F-FO	79
865	52	FN	6
880	56	FOP/FP	84
885	56	FOPX/FPX	84
1453	81	FS	6
51437	82	LK	42
AB2	18	LV2B	44
AB3	28	MV2B	45
ABF	36	NN	8





NS .....	8	W168 .....	107
P-BWSF/P-BWSFN .....	77	W169 .....	108
P-BWSFX/P-BWSFXN .....	78	W169* .....	125
PTX .....	83	W170 .....	107
P-WSF .....	79	W172 .....	109
SF-2/SFX-2 .....	116	W176 .....	108
SF-2/SFX-2* .....	116	W176* .....	125
S-F0 .....	79	W177 .....	109
SFW/SFTW .....	72	W180 .....	107
SFW/SFTW* .....	116	W182 .....	109
SFXW/SFXTW .....	72	W184 .....	107
SFXW/SFXTW* .....	116	W185 .....	107
SP/SPX .....	91	W186 .....	108
T-SF/T-SFN .....	80	W186* .....	125
T-SFX/T-SFXN .....	80	W187 .....	109
W104 .....	92	W188 .....	107
W104* .....	119	W189 .....	108
W106 .....	84	W189* .....	125
W106* .....	120	W192 .....	94
W12 .....	105	W193 .....	94
W12* .....	126	W194 .....	94
W13 .....	105	W195 .....	94
W13* .....	126	W22 .....	104
W14 .....	105	W23 .....	101
W14* .....	126	W23* .....	123
W15 .....	105	W24 .....	101
W15* .....	126	W24* .....	123
W16 .....	106	W25 .....	101
W16* .....	127	W25* .....	123
W17 .....	106	W26 .....	102
W17* .....	127	W26* .....	124
W18 .....	106	W27 .....	101
W18* .....	127	W27* .....	123
W19 .....	106	W28 .....	102
W19* .....	127	W28* .....	124
W164 .....	107	W29 .....	102
W165 .....	107	W29* .....	124

# INDEX

W3	99	W49*	120
W3*	122	W5	100
W30	102	W51	100
W30*	124	W53	79
W300	95	W56	111
W304	96	W57	111
W31	99	W58	98
W31*	122	W59	97
W32	102	W59*	121
W32*	123	W6	98
W33	102	W60	97
W33*	124	W60*	121
W34	101	W600	95
W34*	123	W604	96
W35	101	W61	97
W35*	123	W61*	121
W36	90	W62	98
W36*	118	W63	98
W37	90	W65	110
W37*	118	W65*	128
W38	90	W66	110
W38*	118	W66*	128
W39	90	W69	103
W39*	118	W7	103
W4	97	W72	97
W4*	121	W72*	121
W43	92	W75	110
W43*	119	W75*	128
W44	92	W76	110
W44*	119	W76*	128
W45	92	W8	103
W45*	119	W80	99
W46	93	W80*	122
W46*	120	W81	99
W48	93	W81*	122
W48*	120	W87	103
W49	93	W90	97



W90\* ..... 121  
W91 ..... 97  
W91\* ..... 121

\*Stainless Steel

