

Data Sheet

02-05-WW-02-00005 Rev. 1.0 Dec 2015

SanDisk[®] Industrial microSD[™] Card

Datasheet

REVISION HISTORY

Doc. No	Revision	Date	Description	Reference
02-05-WW-02-00005	1.0	December 2015	Merged the supplementary information and created Single SanDisk Industrial microSD Card Datasheet	

NOTICE/DISCLAIMER

SanDisk provides this information, and any related samples, products, and documentation (collectively the “Materials”) solely for the selection and use of SanDisk products. To the maximum extent permitted by applicable law: (1) Materials are made available “AS IS” and with all faults, SanDisk hereby **DISCLAIMS ALL WARRANTIES AND CONDITIONS, EXPRESS, IMPLIED, STATUTORY, OR OTHERWISE, INCLUDING BUT NOT LIMITED TO WARRANTIES OF MERCHANTABILITY, NON-INFRINGEMENT, OR FITNESS FOR ANY PARTICULAR PURPOSE;** and (2) SanDisk shall not be liable (whether in contract or tort, including negligence, or under any other theory of liability) for any loss or damage of any kind or nature related to, arising under, or in connection with, the Materials (including your use of the Materials), including for any direct, indirect, special, incidental, or consequential loss or damage (including loss of data, profits, goodwill, or any type of loss or damage suffered as a result of any action brought by a third party) even if such damage or loss was reasonably foreseeable or SanDisk had been advised of the possibility of the same. You are responsible for obtaining any rights required in connection with your use of the Materials. The Materials are **subject to change without further notice**. SanDisk assumes no obligation to correct errors or to notify you of updates to the Materials or to product specifications. You may not reverse engineer, reproduce, modify, distribute, or publicly display the Materials without prior written consent of SanDisk. SanDisk products are not designed or intended to be fail-safe or for use in any application requiring fail-safe performance. You assume sole risk and liability for use of SanDisk products in critical applications.

© 2016 SanDisk Corporation. All rights reserved. Specifications are subject to change. SanDisk is a trademark of SanDisk Corporation, registered in the United States and other countries. SD, SDHC, SDXC are all trademarks of SD-3C, LLC. Other brand names mentioned herein are for identification purposes only and may be the trademarks of their respective holder(s).

02-05-WW-02-00005 December 2015. Printed in the United States of America.

Table of Contents

Notice/Disclaimer	0
1 Introduction.....	3
1.1 General Description	3
1.2 Features.....	4
1.3 Scope.....	4
1.4 SD Card Standard	4
1.5 Functional Description	5
1.5.1 Technology Independence	5
1.5.2 Defect and Error Management.....	5
1.5.3 Content Protection.....	6
1.5.4 Wear Leveling	6
1.5.5 Automatic Sleep Mode	6
1.5.6 Hot Insertion	6
1.5.7 Health Status.....	6
1.5.8 Programmable String	6
1.5.9 Host lock.....	6
1.5.10 sFFU.....	7
1.5.11 Read Refresh	7
1.6 Health Status Register	7
1.6.1 Health Status Register Query.....	7
1.6.2 SD Identifier.....	8
1.6.3 Manufacture Date.....	8
1.6.4 Health Status %.....	8
1.6.5 Generation Identifier.....	9
1.6.6 Feature Revision	9
1.6.7 Programmable Product String.....	9
1.7 microSD Card Products in SD Bus Mode	10
1.8 SPI Mode	12
2 Product Specifications.....	13
2.1 microSD Card	13
2.1.1 System Performance.....	14
2.1.2 Physical Specifications.....	14
3 Interface Description.....	15
3.1 Pins and Registers.....	15
3.2 Bus Topology	16
3.2.1 SD Bus	16
3.2.2 SPI Bus	16

3.3	Hot Insertion and Power Protection	16
3.4	Electrical Interface	17
3.4.1	Power Up.....	17
3.4.2	Bus Operating Conditions	17
3.4.3	Bus Timing (Standard Mode)	18
3.5	microSD Card Registers	18
3.5.1	Operation Conditions Register	18
3.5.2	Card Identification Register	18
3.5.3	Card Specific Data Register	19
3.5.4	Card Status Register	22
3.5.5	microSD Status Register	22
3.5.6	Relative Card Address Register	22
3.5.7	microSD Card Configuration Register	22
3.5.8	microSD Card Registers in SPI Mode	22
3.5.9	Data Interchange Format and Card Sizes.....	22
4	microSD Card Protocol Description	24
4.1	General Description	24
4.2	SD Bus Protocol	24
4.3	Functional Description	24
4.3.1	Card Identification Mode	24
4.3.2	Data Transfer Mode	24
4.3.3	Clock Control.....	24
4.3.4	Cyclic Redundancy Codes	24
4.3.5	Error Conditions	25
4.3.6	Commands	25
4.3.7	Card State Transition	25
4.3.8	Timing Diagrams and Values	26
4.3.9	Speed Class Specification.....	26
4.3.10	Erase Timeout Calculation	26
5	Marking.....	26
6	Ordering Information.....	26
	How to Contact Us.....	27

1 INTRODUCTION

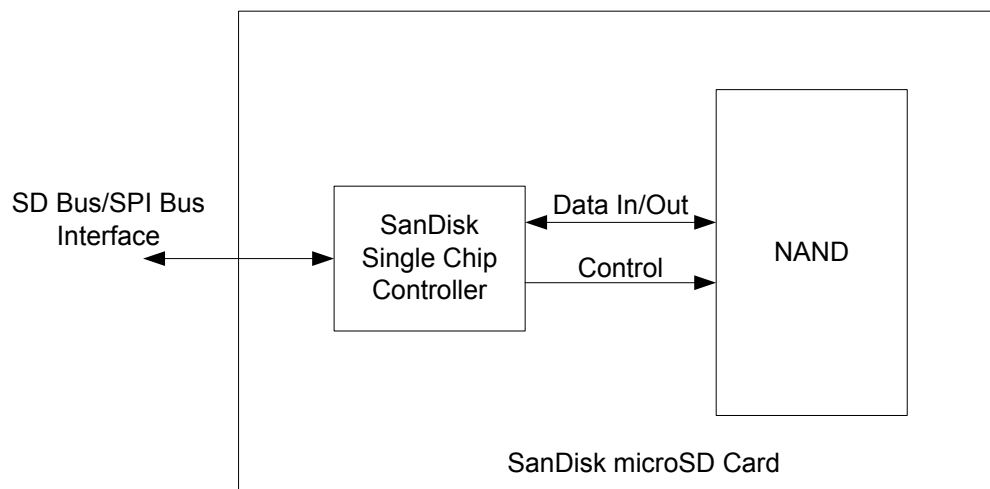
1.1 General Description

The SanDisk Industrial microSD Card is a flash based removable non-volatile memory device specifically designed to meet the security, endurance, capacity, performance and environmental requirements inherent in next generation industrial and consumer electronic devices.

The SanDisk Industrial microSD Card is based on an 8-pin interface designed to operate in a maximum operating frequency of 104 MHz. The interface for SD Card products allows for easy integration into any design, regardless of which type of microprocessor is used. In addition to the interface, SD Card products offer an alternate communication-protocol based on the SPI standard.

SanDisk Industrial microSD cards are designed especially for use in mass storage applications. In addition to the mass storage-specific flash memory, SanDisk Industrial microSD cards include an on-board intelligent controller which manages interface protocols; security algorithms for content protection; data storage and retrieval, as well as Error Correction Code (ECC) algorithms; defect handling; power management; wear leveling and clock control.

Figure 1: SanDisk Industrial microSD Card Block Diagram



1.2 Features

General features of cards in the SanDisk Industrial microSD Card include:

- SD-protocol compatible
- Supports SPI Mode
- Targeted for Industrial applications for secured (content protected) and unsecured data storage
- Voltage range of 2.7 to 3.6V
- Variable clock rate 0-25 MHz (standard), 0-50 MHz (high performance), 0-104MHz (Ultra High Speed)
- Up to 50 MB/sec data transfer rate (using four parallel data lines)
- Memory field error correction
- Password protection
- Write-protection using mechanical switch
- Built-in write protection features (permanent and temporary)
- Supports card detection (insertion and removal)
- Application-specific commands

Additional features supported in 32GB and 64GB SanDisk Industrial microSD Cards:

- Device health status
- Programmable string
- Host lock
- Secured field firmware update (SFFU)
- Read refresh
- Enhanced power immunity

1.3 Scope

This document describes key features and specifications of the SanDisk microSD Card as well as the information required to interface this product to a host system. Chapter 2 describes the physical and mechanical properties of cards in the SanDisk SD Card, Chapter 3 contains the pins and register overview, and Chapter 4 gives a general overview of the SD protocol. Information about SPI Protocol can be referenced in Section 7 of the SDA Physical Layer Specification, Version 3.01.

1.4 SD Card Standard

SanDisk microSD cards are fully compatible with the SDA Physical Layer Specification, Version 3.01. This specification is available from the SD Card Association (SDA).

SD Card Association
2400 Camino Ramon, Suite 375
San Ramon, CA 94583

USA
Telephone: +1 (925) 275-6615
Fax: +1 (925) 886-4870
E-mail: office@sdc card.org
Web site: www.sdc card.org

1.5 Functional Description

The family of SanDisk Industrial microSD cards contains a high-level, intelligent subsystem as shown in Figure 1-1. This intelligent (microprocessor) subsystem provides many capabilities not found in other types of memory cards. These capabilities include:

- Host independence from details of erasing and programming flash memory
- Sophisticated system for managing defects (analogous to systems found in magnetic disk drives)
- Sophisticated system for error recovery including a powerful ECC
- Power management for low power operation
- Auto read refresh capability to maximize read endurance of the memory
- Enhanced power immunity to prevent data loss during unexpected power events

1.5.1 Technology Independence

The 512-byte sector size of a card in the SanDisk Industrial microSD Card is the same as that in an IDE magnetic disk drive. To write or read a sector (or multiple sectors), the host software simply issues a read or write command to the card. The command contains the address and number of sectors to write or read. The host software then waits for the command to complete.

The host software does not get involved in the details of how the flash memory is erased, programmed or read. This is extremely important because flash devices are expected to get increasingly complex in the future. Because SanDisk Industrial microSD cards use an intelligent on-board controller, host system software will not need to be updated as new flash memory evolves. In other words, systems that support the microSD Card today will be able to access future SanDisk Industrial microSD cards built with new flash technology without having to update or change host software.

1.5.2 Defect and Error Management

The SanDisk Industrial microSD Card contains a sophisticated defect and error management system. This system is analogous to the systems found in magnetic disk drives and in many cases offers enhancements. If necessary, SanDisk Industrial microSD Card will rewrite data from a defective sector to a good sector. This is completely transparent to the host and does not consume any user data space. The SanDisk Industrial microSD Card soft error rate specification is much better than the magnetic disk drive specification. In the extremely rare case that a read error does occur, SanDisk Industrial microSD Card has innovative algorithms to recover the data. These defect and error

management systems, coupled with the solid state construction, give SanDisk Industrial microSD Card unparalleled reliability.

1.5.3 Content Protection

A detailed description of the content protection mechanism and related security SD commands can be found in the SD Security Specification from the SDA. All SD security-related commands in the SanDisk Industrial microSD Card operate in the data transfer mode.

1.5.4 Wear Leveling

Wear leveling is an intrinsic part of the erase pooling functionality of SanDisk Industrial microSD cards.

1.5.5 Automatic Sleep Mode

A unique feature of SanDisk Industrial microSD Cards is automatic entrance and exit from sleep mode. Upon completion of an operation, cards enter sleep mode to conserve power if no further commands are received. The host does not have to take any action for this to occur.

When the host is ready to access a card in sleep mode, any command issued to it will cause it to exit sleep, and respond.

1.5.6 Hot Insertion

Support for hot insertion will be required on the host but will be supported through the connector. Connector manufacturers will provide connectors that have power pins long enough to be powered before contact is made with the other pins. This approach is similar to that used in PCMCIA devices to allow for hot insertion.

1.5.7 Health Status

The health status feature reports back a percentage indicating how much of the card lifetime was utilized at any given moment. 100% indicates that the product has reached maximum endurance specification. The card health status might go over 100% but reliability and functionality may not adhere to the specification beyond this point. The health status is stored in the health status register along with other important identification information on the card.

1.5.8 Programmable String

The programmable string feature provides access to a 32 bytes string that can be programmed per specific need by customer. The programmable string is part of the health status register and is accessed through the vendor specific CMD56 for SD. The programmable string default value is “SanDisk” and is one time programmable for SanDisk Industrial microSD cards.

1.5.9 Host lock

The host lock feature allows locking the SanDisk Industrial microSD card to a specific host, protecting the card itself and the content. This feature adds a second layer of

protection on top of the legacy card lock command (CMD42) by using a Card Ownership Password (COP) to disable the Force_Erase option.

1.5.10 sFFU

Secure Field Firmware Update feature or sFFU enables feature enhancements in the field without having to send the part back to the vendor. Using this mechanism Host can download a new version of the Firmware to the device. The Firmware can get status reports on the success of the firmware download. Based on the success of the download, Host can instruct the device to install the newly downloaded firmware into the device. sFFU is blocking in nature to ensure the high level of security and safety. During the sFFU process it is recommended that the host not issue any power cycles

The secure FFU (sFFU) usage model for firmware upgrades is as follows:

- sFFU files are generated and signed at the SanDisk.
- The sFFU files are transferred to SanDisk's customer through a standard process.
- SanDisk's customer can push the firmware updates to their end devices.

Note: The sFFU process and sFFU files are protected against leakage to unauthorized entities.

1.5.11 Read Refresh

Read refresh is an automatic mechanism in the SanDisk Industrial microSD cards that, detects the blocks that are exposed to read disturb, and aids in relocating those blocks to new blocks for preserving data integrity and reliability. This feature is especially helpful in applications where there are highly localized read accesses and/or in applications where there are very few writes to the memory.

1.6 Health Status Register

The Health Status Register allows access to supplementary information about the SanDisk Industrial microSD card. Contents include items such as identifiers, health status, and version information. This register also supports the onetime programmable Product String (ID String).

1.6.1 Health Status Register Query

The SanDisk Industrial microSD card uses the SD General Command (GEN_CMD) to query the Health Status Register. To query the Health Status register, CMD56 with argument of [00 00 00 01] is used. The SD card will respond with 512 bytes. **Error! Reference source not found.** identifies the meaning of the 512 bytes response.

Table 1

Byte #	Description	Number of bytes	Value
1	SD Identifier	2	Hex; 0x4453
3	Manufacture date	6	ASCII ; YYMMDD

Byte #	Description	Number of bytes	Value
9	Health Status in % used	1	Hex; Calculated
10-11	Reserved	2	Reserved
12-13	Feature Revision	2	Hex; Refer to Generation identifier The generation identifier is used to track updates in the health status register implementation.
14		1	Reserved
15	Generation Identifier	1	Hex; Refer to Generation Identifier section
16-49		34	Reserved
50-81	Programmable Product String	32	ASCII; default set as "SanDisk" followed by 0x20 (ASCII spaces)
82-405	Reserved	324	Reserved
406-411	Reserved	6	Reserved
412-512	Reserved	99	Reserved

1.6.2 SD Identifier

SD identifier is a Hex value returned as byte 1 in the health status query (Table 1).

1.6.3 Manufacture Date

Manufacture date reported in ASCII as YYMMDD.

1.6.4 Health Status %

Health Status is an estimated percent life used based on the amount of TBW¹ the NAND memory has experienced relative to the SD card device TBW ability. Values reported in hexadecimal in 1% increments with 0x01 representing 0.0% to 0.99% used. A value of 0x64 indicates 99 to 99.99% of the ability have been used. The SD card storage device may accommodate writes in excess of the 100% expected life limit. Note that although this is possible, entry into a read only mode could occur upon the next write cycle. Examples of 1% increments values are in **Error! Reference source not found.**

Table 2

Value	Represents
0x00	not used
0x01	0-0.99% used
0x02	1-1.99% used
0x03	2-2.99% used
0x04	3-3.99% used
...	...
0x64	99 – 99.99% used

¹ TBW is Terabyte Written = 1 trillion bytes

1.6.5 Generation Identifier

The generation identifier is used to track updates in the health status register implementation. This identifier is set to 0x04h in the 32GB and 64GB SanDisk Industrial microSD Cards.

Table 3

Generation	Generation ID	Incremental Features supported
4	0x04	1% health stepping reporting Programmable product string FW version reporting Generation ID Host lock sFFU

1.6.6 Feature Revision

For microSD cards with generation identifier 0x04:

Table 4

Byte	Bit	Value	Feature
12	7-5	Reserved	Reserved
	4	0	sFFU is not implemented
		1	sFFU is implemented
	3	0	COP is not implemented
		1	COP is implemented
	2	0	Reserved
		1	Reserved
	1	0	No programmable product string support
		1	Programmable product string supported
	0	0	10% health stepping reporting
1		1% health stepping reporting	
13	7-0	Reserved	Reserved

1.6.7 Programmable Product String

The programmable product string is onetime programmable defined as an ASCII string. It allows the OEM to set a unique identifier for tracking purposes. Programming of the string is described below.

1.6.7.1 Programming the Product String

Once programmed the string cannot be reprogrammed. The SanDisk Industrial microSD card uses the SD General Command (GEN_CMD) write to program the programmable

string. The command and argument is issued followed by 512 bytes of data, CMD56 [00 00 00 00]² + 512 bytes.

The 512 byte payload requires the first 17 bytes to be set as identified below in the signature string. The following 32 bytes will be the programmable string (in ASCII) to be programmed. The last 463 bytes are unused.

The signature string is defined as:

0x53444e4b46564d4c536967303030303101

An example for “SanDisk” is:

0x53616e4469736b20

1.7 MicroSD Card Products in SD Bus Mode

The following sections provide valuable information on SanDisk Industrial microSD Cards in SD Bus mode.

SanDisk Industrial microSD Cards are fully compliant with the SDA Physical Layer Specification, Version 3.01. Card Specific Data (CSD) Register structures are compliant with CSD Structure 1.0 and 2.0.

This section covers Negotiating Operating Conditions, Card Acquisition and Identification, Card Status, Memory Array Partitioning, Read/Write Operations, Data Transfer Rate, Data Protection in Flash Cards, Write Protection, Copy Bit, and CSD Register.

Additional practical card detection methods can be found in application notes pertaining to the SDA Physical Layer Specification, Version 3.01.

² Earlier generation cards used an alternate argument

Figure 2: Memory Array Partitioning

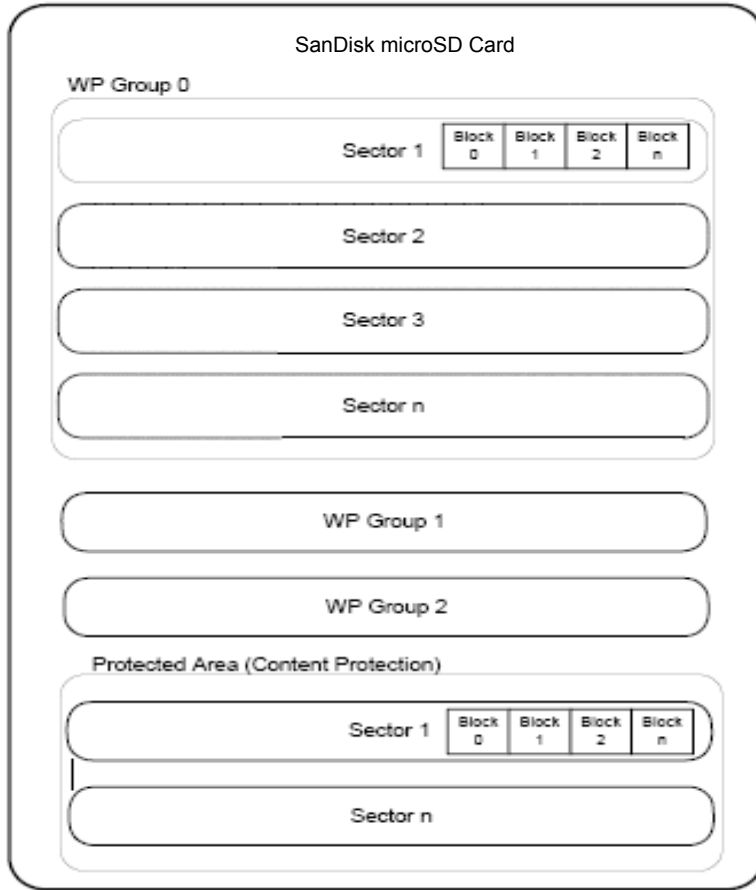


Figure 1-3 illustrates the formatting of a data transfer.

Figure 3: Data Transfer Formats

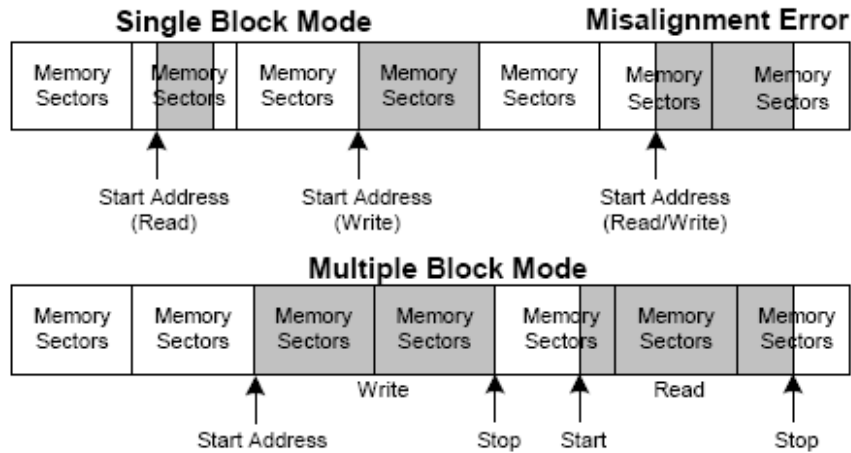


Table 5 contains descriptions for each transfer mode.

Table 5

Table 1-1 Mode Definitions

Mode	Description
Single Block	In this mode the host reads or writes one data block in a pre-specified length. The data block transmission is protected with 16-bit CRC that is generated by the sending unit and checked by the receiving unit. The block length for read operations is limited by the device sector size (512 bytes) but can be as small as a single byte. Misalignment is not allowed. Every data block must be contained in a single physical sector. The block length for write operations must be identical to the sector size and the start address aligned to a sector boundary.
Multiple Block	This mode is similar to the single block mode, except for the host can read/write multiple data blocks (all have the same length) that are stored or retrieved from contiguous memory addresses starting at the address specified in the command. The operation is terminated with a stop transmission command. Misalignment and block length restrictions apply to multiple blocks and are identical to the single block read/write operations.

1.8 SPI Mode

The SPI Mode is a secondary communication protocol for the SanDisk Industrial microSD card. This mode is a subset of the SD Protocol, designed to communicate with an SPI channel, commonly found in Motorola and other vendors' microcontrollers. Detailed information about SPI Mode can be found in Section 7 or the SDA Physical Layer Specification, Version 3.01.

2 PRODUCT SPECIFICATIONS

2.1 microSD Card

This section provides product specifications for the SanDisk Industrial microSD Card.

Typical Card Power Requirements

The values stated in Table 6 represent the SanDisk SD Card power requirements.

Table 6

Mode	Maximum Value	Typical Value at 25C
Standard Mode (25 MHz)		
Sleep		500 uA
Read	100 mA	
Write	100 mA	
Standard Mode – for SDXC card - XPC bit on(25 MHz)		
	Host selected XPC bit in ACMD41	
Sleep		500 uA
Read	150 mA	
Write	150 mA	
High Performance Mode (50 MHz)		
Sleep		500 uA
Read	200 mA	
Write	200 mA	
UHS-I SDR50 Mode – (100 MHz)		
Sleep		500 uA
Read	400 mA	
Write	400 mA	
UHS-I DDR50 Mode – (50 MHz)		
Sleep		500 uA
Read	400 mA	
Write	400 mA	

NOTE Current consumption is measured by averaging over one (1) second. Refer to Section 6.6.3 of the SDA Physical Layer Specification, Version 3.01 for more information.

2.1.1 System Performance

This section provides the system performance specifications for the SanDisk Industrial microSD Card. All performance values in Table 2-2 were measured under the following conditions:


- Voltage range 2.7 to 3.6V
- Operating temperature
 -25° C to 85° C for wide temperature range Industrial Cards.
- Independent of card clock frequency

Table 7

System Performance

Timing	Maximum Value
Block Read Access Time	100 ms
Block Write Access Time	250 ms for SDHC, 500 ms for SDXC
ACMD41 to ready after power-up	1s

Table 8

Capacity in GB ³	8GB	16GB	32GB	64GB
Endurance ⁴ [TBW]	16	32	96	192

Table 9

Capacity in GB ¹	8GB, 16GB	32GB, 64GB
Speed Class	10	10
Sequential Read (MB/s)	40	20
Sequential Write (MB/s)	10	20

2.1.2 Physical Specifications

For detail dimensions and tolerances refer to SDA microSD Card specification.

³ 1 Gigabyte = 1 billion bytes, some capacity not available for data storage

⁴ Approximations based on SanDisk internal metrics that quantifies how much data can be written to a microSD in its lifespan expressed in Terabytes Written (TBW) with Write Amplification of 1 (1 TBW is Terabyte Written = 1 trillion bytes)

3 INTERFACE DESCRIPTION

3.1 Pins and Registers

The SanDisk Industrial microSD Card has exposed contacts on one side. The host uses a dedicated 9-pin connector to connect to SD cards.

In Table 3-1, pin assignments for the SanDisk microSD Card are for SD Bus Mode. Table 3-2 contains pin assignments for SPI Mode.

NOTE Pin assignments are provided by the SDA Physical Layer Specification, Version 3.00 and associated addendums. For more details, refer to Section 3.7 of the SDA Physical Layer Specification Layer 3.00.

Table 3-1 SD Bus Mode Pin Assignment

Pin No.	Name	Type ^a	Description
SD Card			
1	CD/DAT3 ^b	I/O/PP	Card Detect/Data Line [bit 3]
2	CMD	PP	Command/Response
3	V _{SS1}	S	Supply Voltage Ground
4	V _{DD}	S	Supply Voltage
5	CLK	I	Clock
6	V _{SS2}	S	Supply Voltage Ground
7	DAT0	I/O/PP	Data Line [bit 0]
8	DAT1	I/O/PP	Data Line [bit 1]
9	DAT2	I/O/PP	Data Line [bit 2]

a. Type Key: S=power supply; I= input; O=output using push-pull drivers; PP=I/O using push-pull drivers.

b. The extended DAT lines (DAT1-DAT3) are input on power up. They start to operate as DAT lines after the SET_BUS_WIDTH Type Key: S=power supply; I=input; O=output using push-pull drivers; PP=I/O using push-pull drivers.

c. At power up this line has a 50 kilohm pull-up enabled in the card. This resistor serves two functions: Card detection and Mode Selection. For Mode Selection, the host can drive the line high or let it be pulled high to select SD mode. If the host wants to select SPI mode it should drive the line low. For Card detection, the host detects that the line is pulled high. This pull-up should be disconnected by the user, during regular data transfer, with SET_CLR_CARD_DETECT (ACMD42) command.

The SanDisk microSD Card pin assignments in Table 3-2 below are for SPI Mode.

Table 10

SPI Mode Pin Assignment

Pin No.	Name	Type	Description
SD Card			
1	CS	I	Chip Select (active low)

Pin No.	Name	Type	Description
2	DataIn	I	Host-to-Card Commands and Data
3	VSS1	S	Supply Voltage Ground
4	VDD	S	Supply Voltage
5	SCLK	I	Clock
6	VSS2	S	Supply Voltage Ground
7	DataOut	O/PP	Card-to-Host Data and Status
8	RSV	—	Reserved
9	RSV	—	Reserved

Each card has a set of information registers. Register descriptions and SDA references are provided in Section 3.7 of the SDA Physical Layer Specification, Version 3.00.

Table 11

microSD Card Register Overview

Register Abbreviation	Width (in bits)	Register Name
CID	128	Card Identification Number
RCA	16	Relative Card Address
CSD	128	Card Specific Data
SCR	64	SD Configuration Register
OCR	32	Operation Condition Register
SSR	512	SD Status Register
CSR	32	Card Status Register

3.2 Bus Topology

The family of SanDisk Industrial microSD products supports two communication protocols: SD and SPI. For more details, refer to Section 3.5 of the SDA Physical Layer Specification, Version 3.01. Section 6 of the specification contains a bus circuitry diagram for reference.

3.2.1 SD Bus

For more details, refer to Section 3.5.1 of the SDA Physical Layer Specification, Version 3.01.

3.2.2 SPI Bus

For more details, refer to Section 3.5.2 of the SDA Physical Layer Specification, Version 3.01.

3.3 Hot Insertion and Power Protection

Refer to Section 6.1, 6.2 and 6.3 of the SDA Physical Layer Specification, Version 3.01.

3.4 Electrical Interface

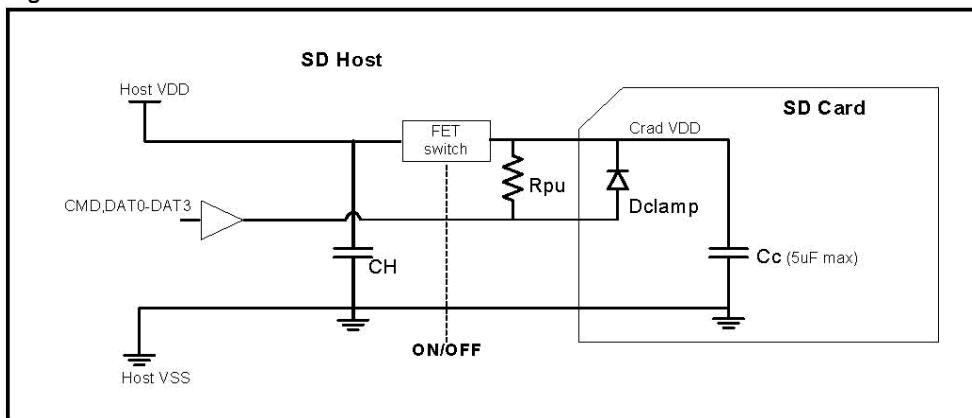
The power scheme of SanDisk Industrial microSD products is handled locally in each card and in the bus master. Refer to Section 6.4 of the SDA Physical Layer Specification, Version 3.01.

3.4.1 Power Up

Power must be applied to the VDD pin before any I/O pin is set to logic HIGH. In other words, CMD, CLK, and DAT0-3 must be at zero (0) volts when power is applied to the VDD pin. For more information, refer to Section 6.4.1 of the SDA Physical Layer Specification, Version 3.01.

Figure 4 provides the recommended power control scheme

Figure 4: Recommended Power Control Scheme



The recommended power control scheme for SanDisk microSD card is illustrated in Figure 3-1. Most card connectors have a card detect switch that signals the SD host when the card is inserted. After the host is aware of the card insertion, it turns on the FET switch to apply power to card's VDD pin.

Once the card is inserted and all card pins are making contact, there is a delay before the FET switch is turned on.

IMPORTANT: Because there are clamping diodes on the CMD, CLK, and DAT0-3 pins, it is crucial to ensure that CLK, CMD, and DAT0-3 are at zero (0) volts during the delay and before the FET switch is turned on. If any I/O pin, (CMD, CLK, or DAT0-3) goes above zero volts during the delay and before power reaches the card VDD pin, it will forward bias the clamping diodes and can cause the card to go into an unknown state.

It is the host's responsibility to make sure power gets to VDD before CMD, CLK, or DAT0-3 go above zero volts.

3.4.2 Bus Operating Conditions

SPI Mode bus operating conditions are identical to SD Card Bus Mode operating conditions. For details, see Section 6.6 of the SDA Physical Layer Specification, Version 3.01.

3.4.3 Bus Timing (Standard Mode)

See Section 6.7 of the SDA Physical Layer Specification, Version 3.01.

3.5 microSD Card Registers

There is a set of eight registers within the card interface. However, the DSR Register is optional and is not used in SanDisk Industrial microSD Card. For specific information about all registers, refer to Section 5 of the SDA Physical Layer Specification, Version 3.01.

3.5.1 Operation Conditions Register

The Operation Conditions Register (OCR) stores a card's VDD voltage profile. Refer to Section 5.1 of the SDA Physical Layer Specification, Version 3.01 for more information.

3.5.2 Card Identification Register

The Card Identification (CID) Register is 16 bytes long and contains the unique card identification number. It is programmed during card manufacturing and cannot be changed by card hosts. See Table 3-4.

Table 12

CID Register Definitions

Name	Type	Width	CID Value	Comments										
Manufacturer ID (MID)	Binary	8	0x03	Manufacturer IDs are controlled and assigned by the SD-3C, LLC.										
OEM/ Application ID (OID)	ASCII	16	SD ASCII Code 0x53, 0x44	Identifies the card OEM and/or the card contents. The OID is controlled and assigned by the SD-3C, LLC.										
Product Name (PNM)	ASCII	40	<table border="1"> <thead> <tr> <th>Capacity</th> <th>CID PNM</th> </tr> </thead> <tbody> <tr> <td>8GB</td> <td>SU08G or SL08G</td> </tr> <tr> <td>16GB</td> <td>SU16G or SL16G</td> </tr> <tr> <td>32GB</td> <td>SC32G</td> </tr> <tr> <td>64GB</td> <td>SC64G</td> </tr> </tbody> </table>	Capacity	CID PNM	8GB	SU08G or SL08G	16GB	SU16G or SL16G	32GB	SC32G	64GB	SC64G	Five-character ASCII string.
			Capacity	CID PNM										
			8GB	SU08G or SL08G										
			16GB	SU16G or SL16G										
			32GB	SC32G										
64GB	SC64G													
Product Revision (PRV)	BCD	8	Product Revision xx	See Section 5.2 in the SDA Physical Layer Specification, Version 3.00.										

Name	Type	Width	CID Value	Comments
Serial Number (PSN)	Binary	32	Product Serial Number	32-bit unsigned integer
Reserved	—	4	—	—
Manufacture Date Code (MDT)	BCD	12	Manufacture date (for example, April 2001=0x014)	Manufacturing date–ymm (offset from 2000)
CRC7 Checksum (CRC)	Binary	7	CRC7	Calculated
Not used, always 0	—	1	—	—

3.5.3 Card Specific Data Register

The Card Specific Data (CSD) Register configuration information is required to access card data. The CSD defines the data format, error correction type, maximum data access time, etc. The field structures of the CSD Register vary depending on the physical specifications and card capacity. The CSD_STRUCTURE field in the CSD Register indicates which structure version is used. Table 3-5 shows the version number as it relates to the CSD structure. Refer to Section 5.3.1 of the SDA Physical Layer Specification, Version 3.01 for more information.

Table 13

CSD Register Structure

CSD_STRUCTURE	CSD Structure Version	Valid for SD Card Physical Specification Version / Card Capacity
0	CSD Version 1.0	Version 1.01 to 1.10 Version 2.00/Standard Capacity
1	CSD Version 2.0	Version 2.00/High Capacity
2-3	Reserved	—

Table 3-6 provides an overview of the CSD Register. More field-specific information can be found in Section 5.3.2 of the SDA Physical Layer Specification, Version 3.01.

Table 14
CSD Register (CSD Version 1.0)

Field	CSD Value	Description
CSD_STRUCTURE	1.0	CSD structure
—	—	Reserved
TAAC	1.5 msec	Data read access-time-1
NSAC	0	Data read access-time-2 in CLK cycles (NSAC*100)
TRANS_SPEED	Standard Mode 25 MHz High Performance Mode 50 MHz Ultra High Speed Mode 100 MHz	Maximum data transfer rate
CCC	All (inc. WP, lock/unlock)	Card command classes
READ_BL_LEN	2G = 0xA Up to 1G = 0x9	Maximum read data block length
READ_BL_PARTIAL	Yes	Partial blocks for read allowed
WRITE_BLK_MISALIGN	No	Write block misalignment
READ_BLK_MISALIGN	No	Read block misalignment
DSR_IMP	No	DSR implemented
—	—	Reserved
C_SIZE 64 MB 128 MB 256 MB 512 MB 1 GB 2 GB	Secured 0xEDF 0xF03 0xF13 0xF1E 0xF22 0xF24	Device Size
VDD_R_CURR_MIN	100 mA	Maximum read current @VDD min
VDD_R_CURR_MAX	80 mA	Maximum read current @VDD max
VDD_W_CURR_MIN	100 mA	Maximum write current @VDD min
VDD_W_CURR_MAX	80 mA	Maximum write current @VDD max
C_SIZE_MULT	2G=2048 1G=1024 512=512 256=256 128=128 64=64	Device size multiplier
ERASE_BLK_EN	Yes	Erase single block enable
SECTOR_SIZE	31 blocks	Erase sector size
WP_GRP_SIZE	127 sectors	Write protect group size
WP_GRP_ENABLE	Yes	Write protect group enable
Reserved	—	Reserved for MMC compatibility
R2W_FACTOR	x16	Write speed factor
WRITE_BL_LEN	0x9	Maximum write data block length
WRITE_BL_PARTIAL	No	Partial blocks for write allowed
—	—	Reserved
FILE_FORMAT_GRP	0	File format group
COPY	Has been copied	Copy flag (OTP)
PERM_WRITE_PROTECT	Not protected	Permanent write protection
TMP_WRITE_PROTECT	Not protected	Temporary write protection
FILE_FORMAT	HD w/partition	File format
Reserved	—	Reserved

Field	CSD Value	Description
CRC	CRC7	CRC
—	—	Not used, always "1"

Refer to Section 5.3.3, Table 5-16 of the SDA Physical Layer Specification, Version 3.00 for more detailed information.

Table 15

CSD Register (CSD Version 2.0)

Field	CSD Value	Description
CSD_STRUCTURE	2.0	CSD structure
—	—	Reserved
TAAC	1.5 msec	Data read access-time
NSAC	0	Data read access-time in CLK cycles (NSAC*100)
TRANS_SPEED	Standard Mode 25 MHz High Performance Mode 50 MHz Ultra High Speed Mode 100 MHz	Maximum data transfer rate
CCC	All (inc. WP, lock/unlock)	Card command classes
READ_BL_LEN	9	Maximum read data block length
READ_BL_PARTIAL	Yes	Partial blocks for read allowed
WRITE_BLK_MISALIGN	No	Write block misalignment
READ_BLK_MISALIGN	No	Read block misalignment
DSR_IMP	No	DSR implemented
—	0	Reserved
C_SIZE 4 GB 6 GB 8 GB 12 GB 16 GB 32 GB	Secured 0x1E5C 0x2D8C 0x3CDC 0x5B6C 0x79FC 0xF45C	Device Size
—	0	Reserved
ERASE_BLK_EN	1	Erase single block enable
SECTOR_SIZE	64 blocks	Erase sector size
WP_GRP_SIZE	000000b	Write protect group size
WP_GRP_ENABLE	No	Write protect group enable
Reserved	—	Reserved for MMC compatibility
R2W_FACTOR	x4	Write speed factor
WRITE_BL_LEN		Maximum write data block length
WRITE_BL_PARTIAL	No	Partial blocks for write allowed
—	—	Reserved
FILE_FORMAT_GRP	0	File format group
COPY	Has been copied	Copy flag (OTP)
PERM_WRITE_PROTECT	Not protected	Permanent write protection
TMP_WRITE_PROTECT	Not protected	Temporary write protection
FILE_FORMAT	HD w/partition	File format
Reserved	—	Reserved

Field	CSD Value	Description
CRC	CRC7	CRC
—	—	Not used, always "1"

3.5.4 Card Status Register

The Card Status Register (CSR) transmits the card's status information (which may be stored in a local status register) to the host. The CSR is defined in Section 4.10.1 in the SDA Physical Layer Specification, Version 3.01.

3.5.5 microSD Status Register

The microSD Status Register (SSR) contains status bits that are related to the SD Card proprietary features and may be used for future applications. The SD Status structure is described in Section 4.10.2 in the SDA Physical Layer Specification, Version 3.01.

3.5.6 Relative Card Address Register

The 16-bit Relative Card Address (RCA) Register carries the card address published by the card during the card identification. Refer to Section 5.4 in the SDA Physical Layer Specification, Version 3.01 for more information.

3.5.7 microSD Card Configuration Register

The microSD Card Configuration Register (SCR) is in addition to the CSD Register. The SCR provides information about special features in the SanDisk SD Card products. For more information, refer to Section 5.6 in the SDA Physical Layer Specification, Version 3.01.

3.5.8 microSD Card Registers in SPI Mode

All card registers are accessible in SPI Mode. Their format is identical to the format in the SD Bus Mode. However a few fields are irrelevant in SPI Mode. In SPI Mode: The Card Status Register has a different, shorter, format as well. Refer to Section 7.4 in the SDA Physical Layer Specification, Version 3.01 for more details.

3.5.9 Data Interchange Format and Card Sizes

In general, a file system provides structure for data in SanDisk microSD Card products. The SD Card File System Specification, published by the SDA, describes the file format system that is implemented in the SanDisk microSD Card products. In general, each card is divided into two separate DOS-formatted partitions as follows:

- **User Area**—used for secured and non-secured data storage and can be accessed by the user with regular read/write commands.
- **Security Protected Area**—used by content protection applications to save security related data and can be accessed by the host using the secured read/write command after doing authentication as defined in the SD Security Specification. The security protected area size is defined by SanDisk as approximately one percent of the total size of the card.

Table 3-8 describes the user area for SanDisk SD Card.

Table 16
User Data Bytes

Capacity⁵	User Data Bytes⁶
64GB	63,831,015,424
32GB	31,902,400,512
16GB	15,923,150,848
8GB	7,939,817,472

⁵ 1 (GB) = 1 billion bytes. Some capacity not available for data storage.

⁶ User Data Bytes are minimum values. Actual values may vary depending on flash technology used

4 MICROSD CARD PROTOCOL DESCRIPTION

4.1 General Description

SD Protocol information for the SanDisk Industrial microSD Card is contained in this chapter; information includes SD bus protocol, card identification, and a functional description.

4.2 SD Bus Protocol

Communication over the SD bus is based on command and data-bit streams initiated by a start bit and terminated by a stop bit. See Section 3.6.1 of the SDA Physical Layer Specification, Version 3.01 for details.

4.3 Functional Description

The host controls all communication between itself and the cards. To demonstrate how this communication works, this section provides a general overview of the card identification and data transfer modes; commands; card dependencies; various card operation modes and restrictions for controlling the clock signal. All microSD Card commands, together with corresponding responses, state transitions, error conditions, and timings are also provided. For detailed information, refer to Section 4 of the SDA Physical Layer Specification, Version 3.01.

4.3.1 Card Identification Mode

In Card Identification Mode, the host resets all cards, validates operation voltage range, identifies and requests cards to publish a relative card address. For more information see Section 4.2 in the SDA Physical Layer Specification, Version 3.01.

4.3.2 Data Transfer Mode

In Data Transfer Mode, the host may operate the SanDisk Industrial microSD Card in the fPP frequency range. In the SDA Physical Specification, this section includes information about data read and write, erase, write-protect management, card lock/unlock operations, application-specific commands, switch function command, high-speed mode, command system, and the Send Interface Condition command (CMD8). CMD8 is part of identification mode and command functional differences in high capacity SD cards. For more detailed information, refer to Section 4.3 of the SDA Physical Layer Specification, Version 3.01.

4.3.3 Clock Control

The host can use the bus clock signal in SanDisk Industrial microSD cards to switch them to energy saving mode or to control data flow on the bus. See Section 4.4 of the SDA Physical Layer Specification, Version 3.01.

4.3.4 Cyclic Redundancy Codes

The Cyclic Redundancy Check (CRC) protects against transmission errors that may occur on the bus in SanDisk SD Cards. Detailed information and examples for CRC7 and CRC16 are provided in Section 4.5 of the SDA Physical Layer Specification, Version 3.01.

4.3.5 Error Conditions

See Section 4.6 of the SDA Physical Layer Specification, Version 3.01.

4.3.6 Commands

See Section 4.7 of the SDA Physical Layer Specification, Version 3.01 for detailed information about card commands in the SanDisk SD Card.

4.3.7 Card State Transition

In microSD cards, the state transition is dependent on the received command. The transition is defined in Section 4.8 of the SDA Physical Layer Specification, Version 3.01 along with responses sent on the command line.

4.3.8 Timing Diagrams and Values

See Section 4.12 of the SDA Physical Layer Specification, Version 3.01.

4.3.9 Speed Class Specification

The speed class specification classifies card performance by speed class number and offers the method to calculate performance. For more information, refer to Section 4.13 of the SDA Physical Layer Specification, Version 3.01.

4.3.10 Erase Timeout Calculation

See Section 4.14 of the SDA Physical Layer Specification, Version 3.01.

5 MARKING

Figure 5: Marking



6 ORDERING INFORMATION

Table 17

Capacity	Part Numbers
8 GB	SDSDQAF-008G-I
16 GB	SDSDQAF-016G-I
32 GB	SDSDQAF2-032G-I
64 GB	SDSDQAF2-064G-I

HOW TO CONTACT US

SanDisk Corporation, Corporate
Headquarters.
951 SanDisk Dr.
Milpitas, CA 95035-7933
Phone: +1-408-801-1000
www.sandisk.com

Please refer to the SanDisk web site for contact information: www.sandisk.com