

Scanvaegt Procheck SC500

The new checkweigher generation

**IMPROVING
PRODUCT QUALITY,
PROFITS AND
YOUR BRAND**



SC500 is a genuine multi-purpose machine capable of handling a number of different jobs...

Optimising product quality and increasing production efficiency

QUICK BELT RELEASE ENSURES EFFICIENT CLEANING

The belts can easily be released and completely removed, allowing for free access and thorough cleaning under the conveyor sections.

Based on a thoroughly tested weighing technology, the SC500 represents an efficient solution for weight control, sorting, e-weighing, metal-detection and data capture.

The SC500 automatically controls all products and rejects the ones with over- or underweight, ensuring optimum product quality and the reputation of the company.

Precise, reliable and versatile

The SC500 is characterised by being extremely fast - up to 250 items per minute - flexible, precise and very easy to clean.

Compact and flexible design

The compact design of the checkweigher and the simple height adjustment of the conveyor section makes it very easy to fit into existing packing lines.

Policeman

The SC500 weighs the products and checks if they comply with the pre-defined weight limits.

e-weighing

The SC500 sums up weight and number in a batch during production, checks if the total complies with the e-weighing regulations for mean value and rejects the products, which otherwise could result in rejection of the entire batch at a sampling.

Weight sorting

The SC500 can manage a sizer function and sort the products in up to eight weight groups.

Regulation of filling process

The SC500 can regulate the quantity supplied from a filling machine, e.g. a multihead weigher, slicer or meat pump.

Metal detection

The SC500 is available with integrated metal detector, which inspects the products and will reject them if they are contaminated with metal.

SC500 with metaldetector



The SC500 is available with a wide range of conveyor dimensions, making it possible to handle several product sizes and packing types, e.g. bags, glasses as well as boxes and cans.

The innovative design of the SC500 incorporates several strong features

Intelligent bin controls reject function and logs data

The bin has sensors for confirmation of reject and full bin, and it controls the supply of compressed air. In case of errors an alarm is sent to the operator.

Individually customised reject-methods

The SC500 is available with various reject-methods – and can be fitted with the best method for handling the products gently, thus avoiding damaged products and ensuring efficient operations.

Simple release of reject-section for thorough cleaning

The entire reject-section of the t-pusher can be released simply by turning a finger screw.

Easy-to-clean design ensures optimum hygiene standards

The innovative design with sloping lines and surfaces makes water and liquids drain off the machine easily, thereby reducing dry-time. The round pipe-profiles and an open construction prevent dirt and bacteria from sticking, and make it easy to clean the checkweigher.

USERFRIENDLY OPERATOR INTERFACE

Large 15" touch-screen with a logical menu structure ensures fast, easy and correct operation.

The screen can be turned 180 degrees.

Tiltable conveyors with beltrelease ensures efficient cleaning under the conveyors

By just turning two finger locks - no tools are required – the infeed and weighing conveyors can be tilted into upright locked position. The belts can be released by turning a handle, allowing for free access and easy cleaning under the conveyor sections.

Drip pan prevents dirt from collecting on the machine

Under the conveyor section the SC500 has a drop-down drip pan, which will collect residue preventing it from sticking or falling onto the floor.

Fast and simple height adjustment of the conveyor section

The SC500 has a unique construction principle with stepped height change of the conveyor section, making it very easy and fast to adjust the height in the range from 300 to 1,200 mm.





Comprehensive production overview

Controlling and improving production

The SC500's software package provides a comprehensive overview, numerous possibilities to optimize the production and precise production supervision by clear and structured statistics information and graphs.

The userfriendly operator interface has a simple navigation structure and clear letters, and offers easy product-setup and article features which reduce changeover time.

The SC500 software package also includes the optional Plusflex PM (production management), which is an application for:

- Reporting: reports stored in a SQL database
- Monitoring: real-time status of one or several SC500s
- Controlling: including managing databases and product-setups of the SC500

Software options

E-weighing: Reject based on mean weight, Tu1 – Tu2

Policemann: Reject of overweight and underweight.

Sorting of products

Batch control system based on time or numbers

Safe reporting system

Feedback handling filling processes

Production monitor with selectable information and graphs

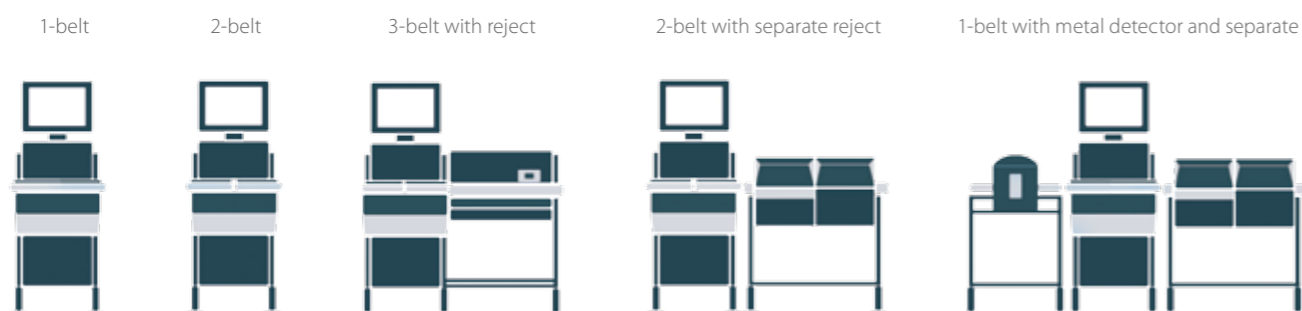
Metal detector

Easy language selection

Reject of not-weighed products

Reject control

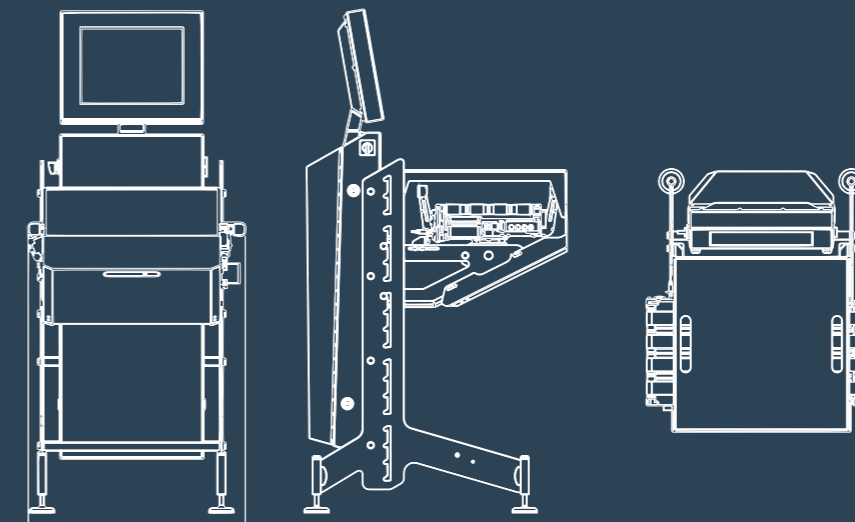
Compact design & flexible product range



Technical specifications

Material	Stainless steel AISI 304
Display	15" 4:3; Touch-screen
Environment	Wet and dry environments
Dim. weighing conveyor	W 178 x L 250/325/400/500 mm W 270 x L 250/325/400/500 mm W 350 x L 400/500 mm
Length – reject conveyor	600, 800, 1100, 1300, 1500 or 2650 mm – or longer conveyor on request
Belt types	Full belt or strap belt FDA-approved
Height variation	From 350 to 1150 mm, step 50 mm +/- 25 mm
Weighing capacity	1500 g/0.5 g or 3000 g/1.0 g – higher capacity on request
Weighing range	Min 50 g – Max 3000 g
Tara	Yes, from 0 – 500 divisions
TWR	Up to 250 pc/min. = 4.1 pc/sec.
Belt speed	20-80 m/min.
Belt speed – not approved	20-100 m/min.
Belt material	FDA-approved materials
Transport direction	L-R and R-L
Power supply	100 to 240 VAC, 50/60 Hz single phase
Power consumption	2,2 kW / max. 10 amp.
Compressed air supply	Max. 6 bar dry, clean air
Temperature range	0°C – +35°C
External signal	Light signal
PC connection	Yes
Software	e-marking, Policeman, sorting
Metal signal (external)	Ethernet RS232, RS485 and I/O
Type-approval	Acc. to MID / R51:2006 XIII(1) og Y(a), d = 3000, e = 0.5g.
IP Rating	IP66 – higher IP-rating on request

Subject to change without notice.



Market-leading supplier

Scanvaegt Systems is a Danish-owned company, established in 1932. We develop, produce and market weighing systems, labelling lines, inspection equipment, related IT-systems and traceability solutions. Scanvaegt Systems has its head office in Aarhus, Denmark, and subsidiaries in Norway, Sweden, Germany and Poland, and distributors in a number of other countries. The staff is of app. 200 employees.

Service and support are crucial factors in any type of production company and keywords for us. For this reason we place comprehensive service and support facilities at our customers' disposal. The Scanvaegt service package comprises: Preventive maintenance, training and instruction, installation and on-site repairs, spare parts, hotline & online support software service, verification and calibration.

