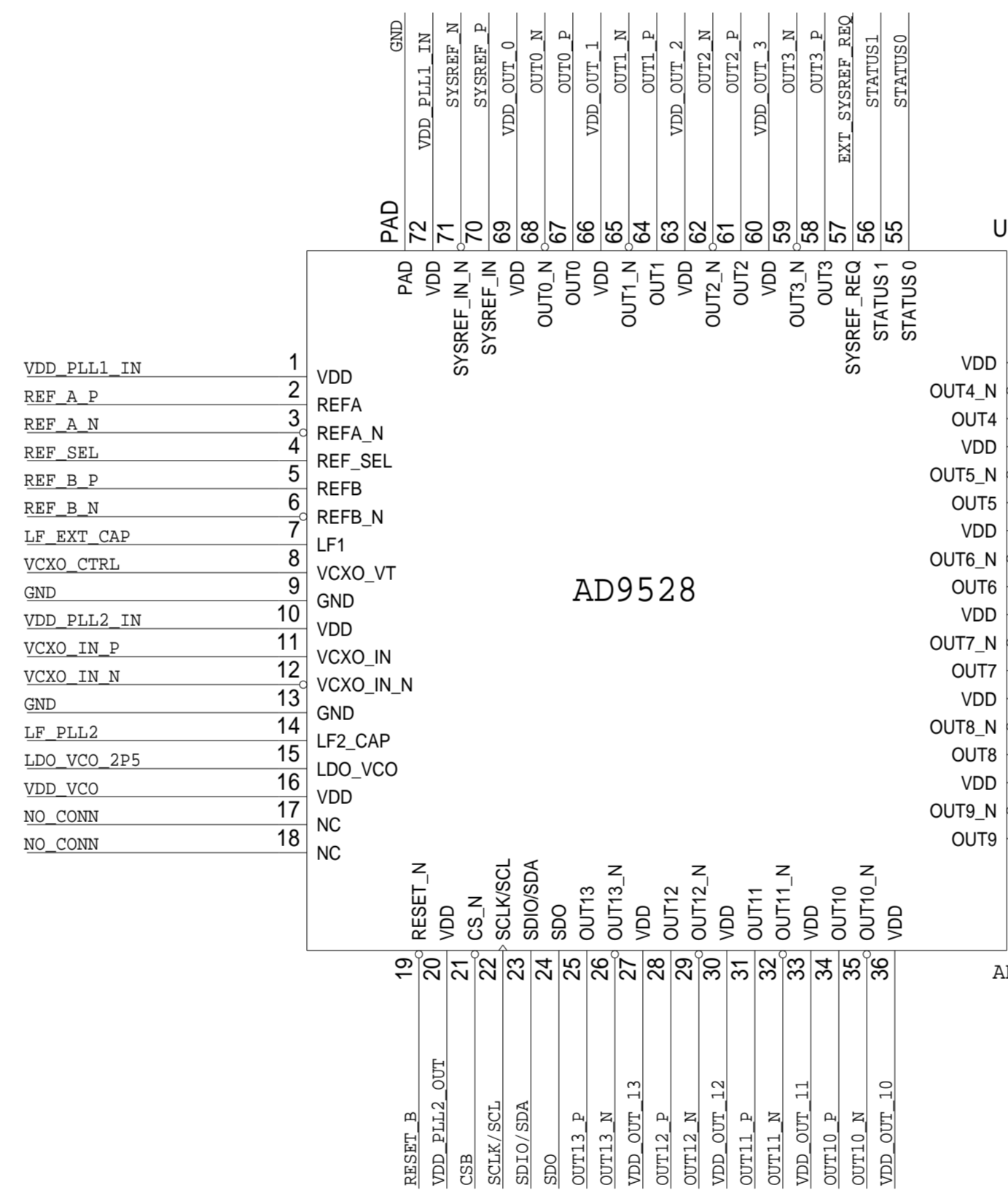
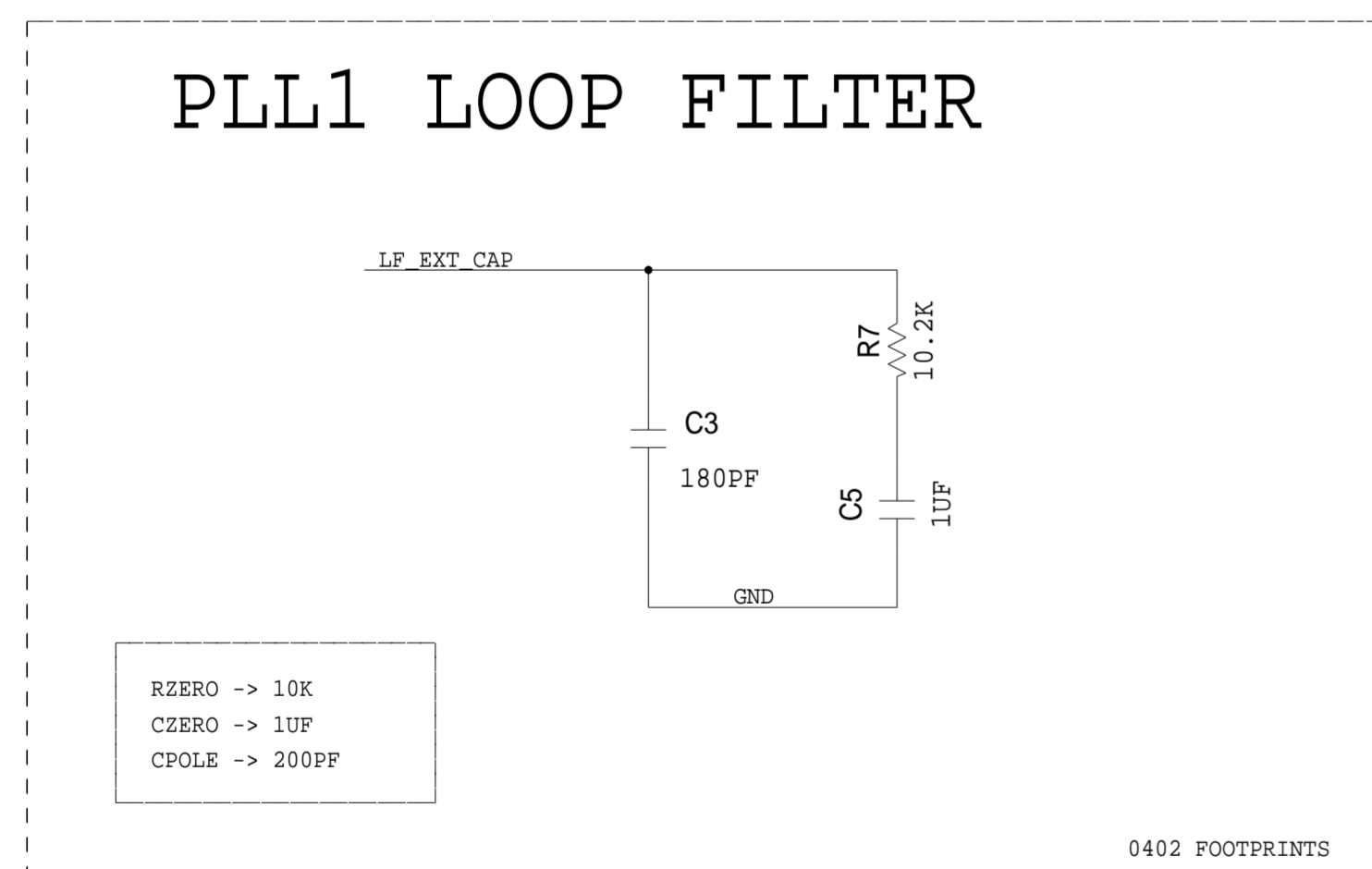
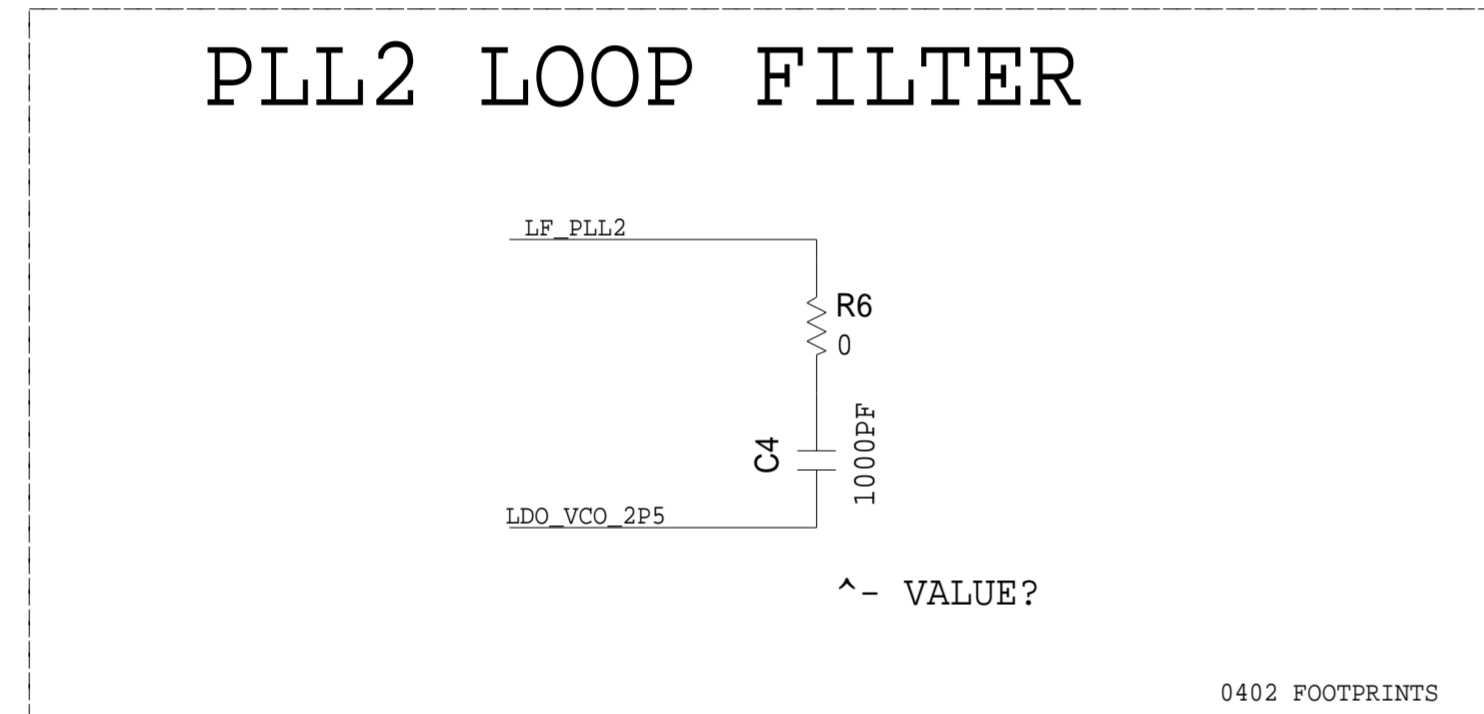
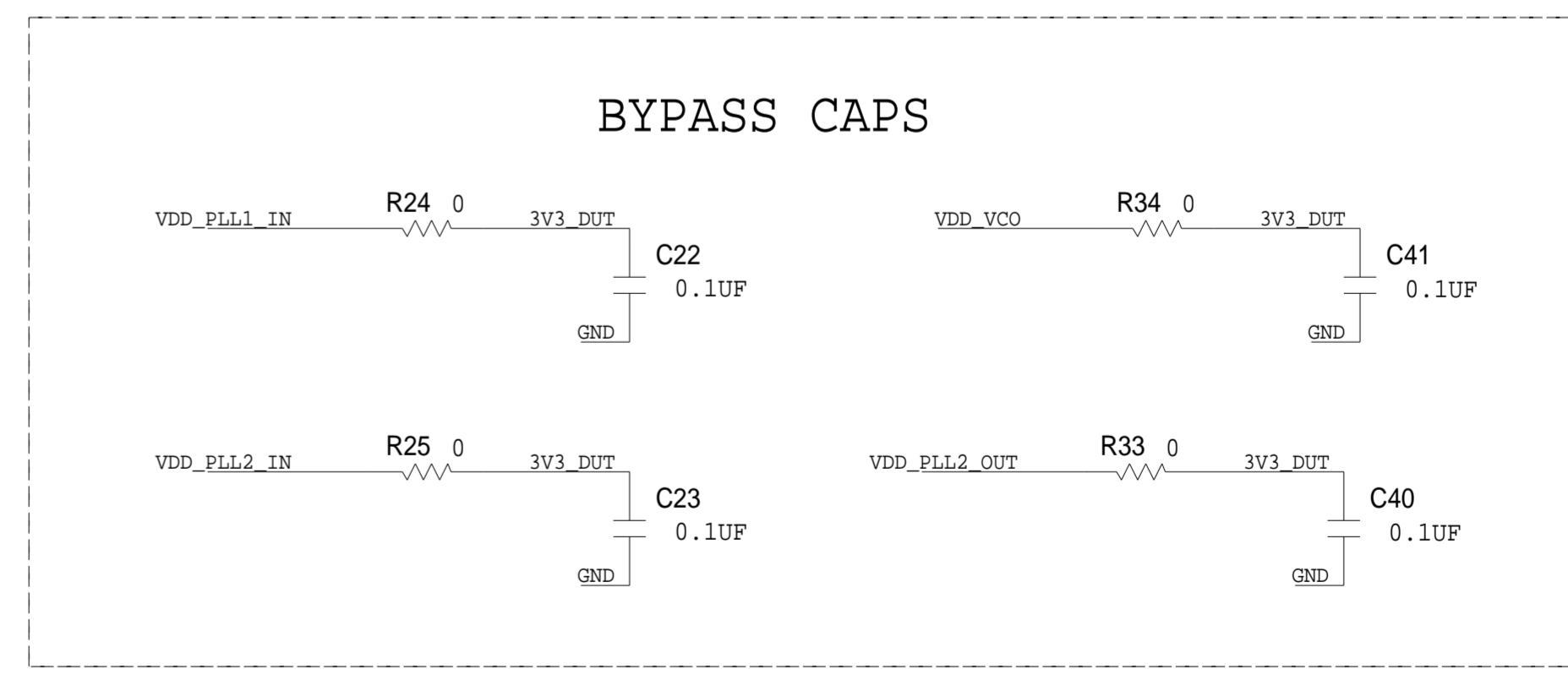
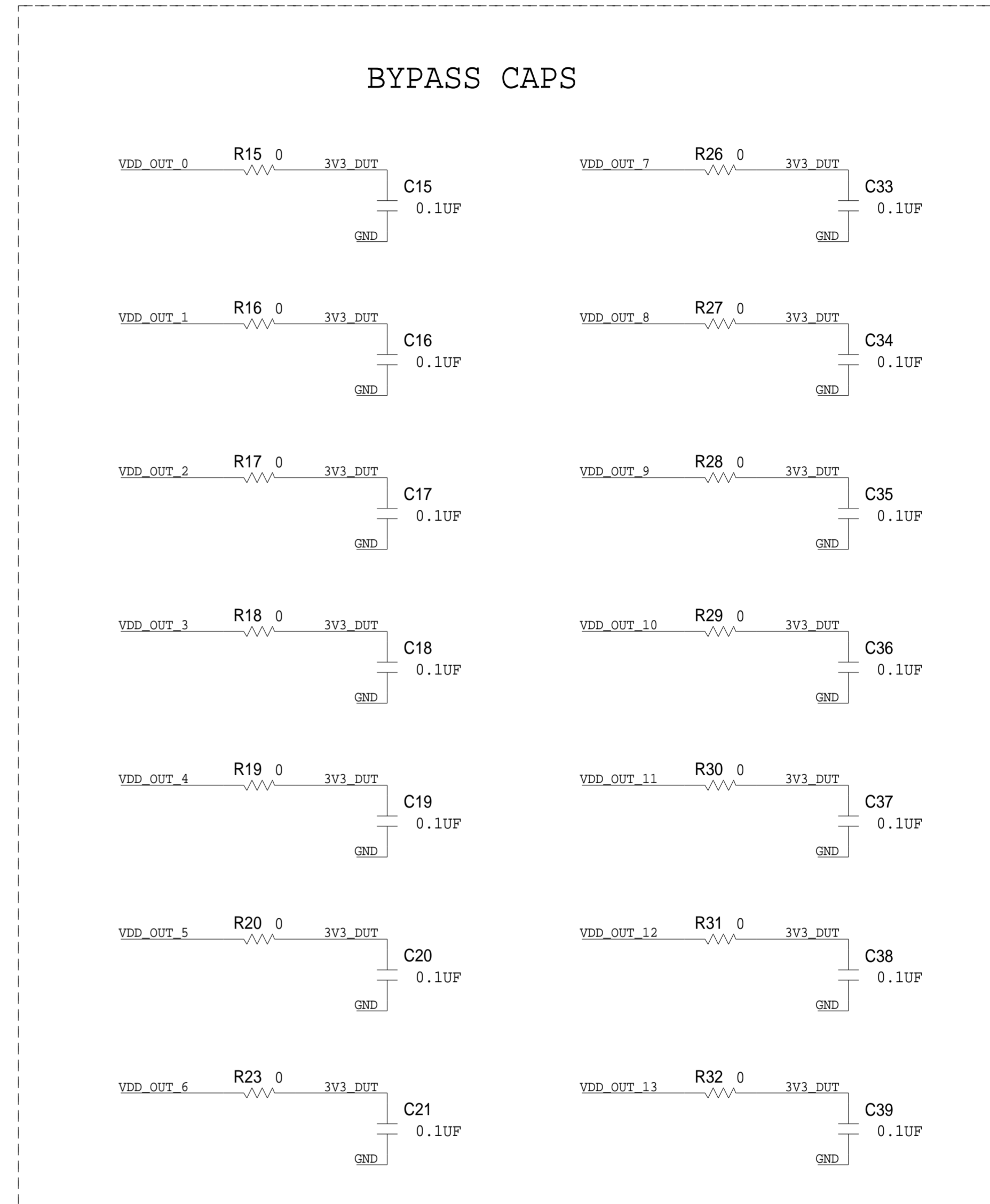
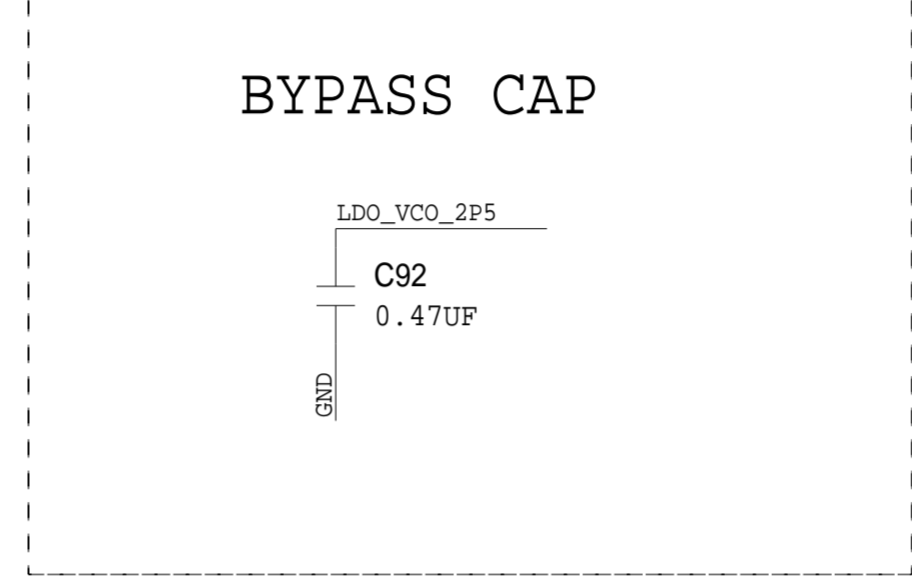


AD9528 AND POWER SUPPLY FILTERING

REVISIONS			
REV	DESCRIPTION	DATE	APPROVED

	V (V)	I (MA)
VDD_OUT0	3.3	?
VDD_OUT1	3.3	?
VDD_OUT2	3.3	?
VDD_OUT3	3.3	?
VDD_OUT4	3.3	?
VDD_OUT5	3.3	?
VDD_OUT6	3.3	?
VDD_OUT7	3.3	?
VDD_OUT8	3.3	?
VDD_OUT9	3.3	?
VDD_OUT10	3.3	?
VDD_OUT11	3.3	?
VDD_OUT12	3.3	?
VDD_OUT13	3.3	?
VDD3_PLL1_IN	3.3	?
VDD3_PLL2_IN	3.3	?
VDD3_PLL2_OUT	3.3	?
VDD3_VCO	3.3	?

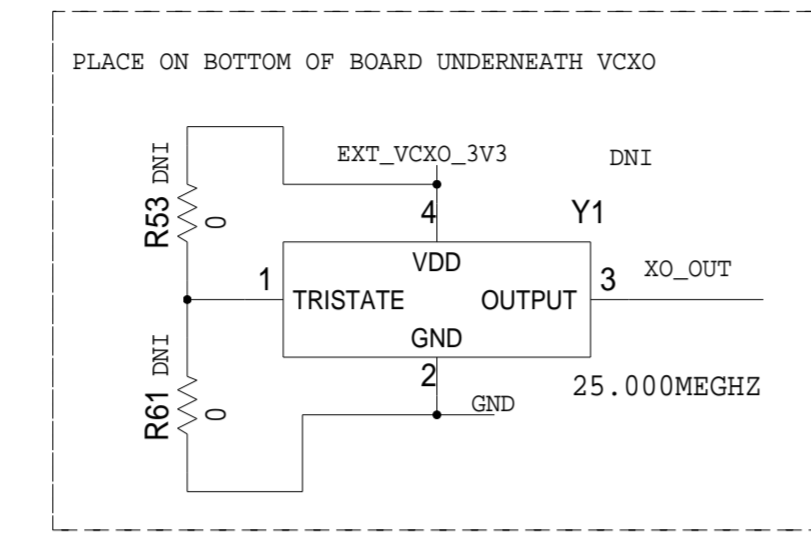
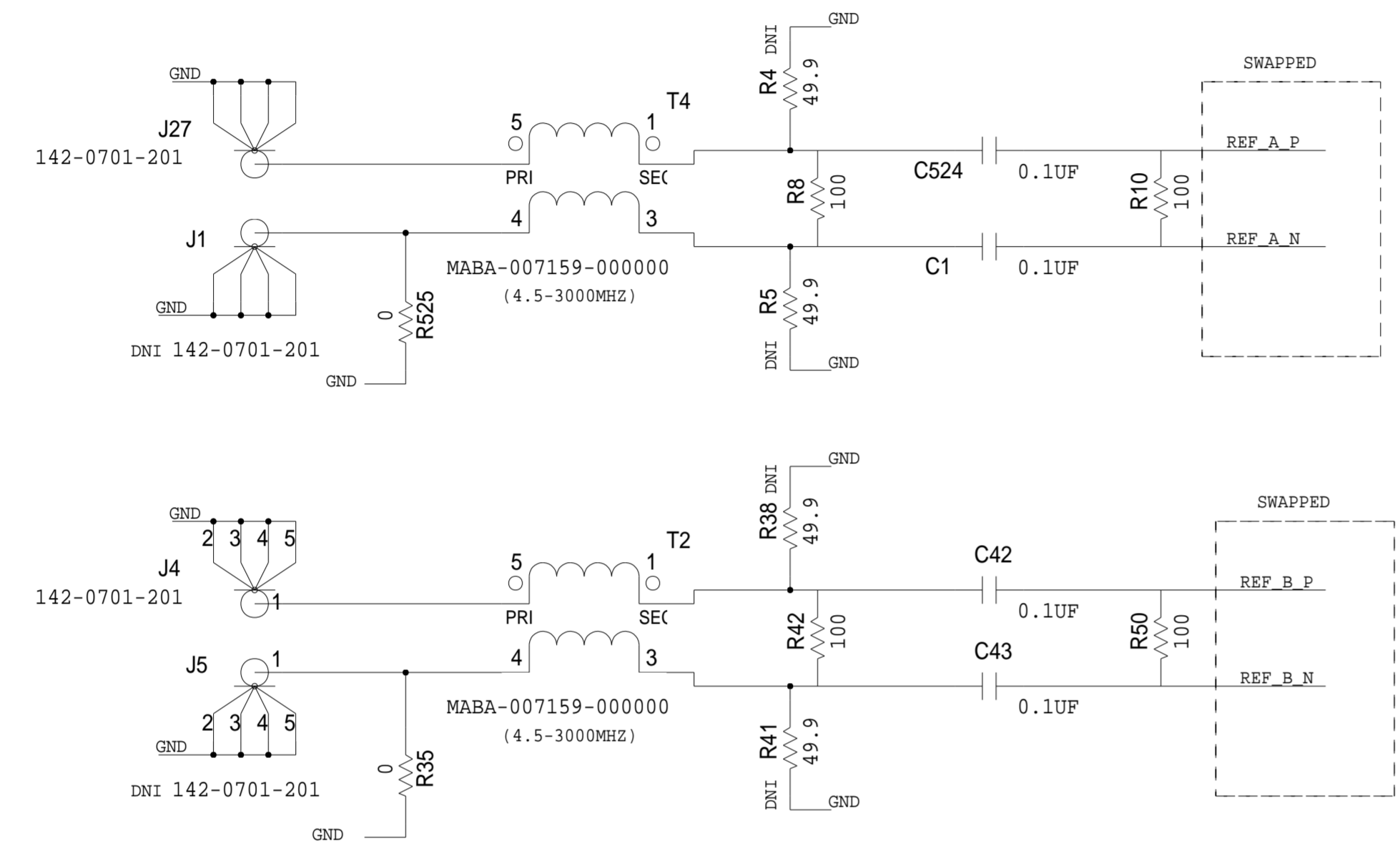


SCHEMATIC			
		HW TYPE : Customer Evaluation Product(s) : AD9528 : None	
DESIGN VIEW <DESIGN_VIEW>	DRAWING NO. 02_037107	REV C	
PTD ENGINEER S. SINGER	SIZE 1:1	SHEET 2 OF 7	SCALE 1:1

THIS DRAWING IS THE PROPERTY OF ANALOG DEVICES INC. IT IS NOT TO BE REPRODUCED OR COPIED, IN WHOLE OR IN PART, OR USED IN ANY MANNER WITHOUT THE WRITTEN PERMISSION OF ANALOG DEVICES. THE EQUIPMENT DESIGN HEREON MAY BE PROTECTED BY PATENTS OWNED OR CONTROLLED BY ANALOG DEVICES.

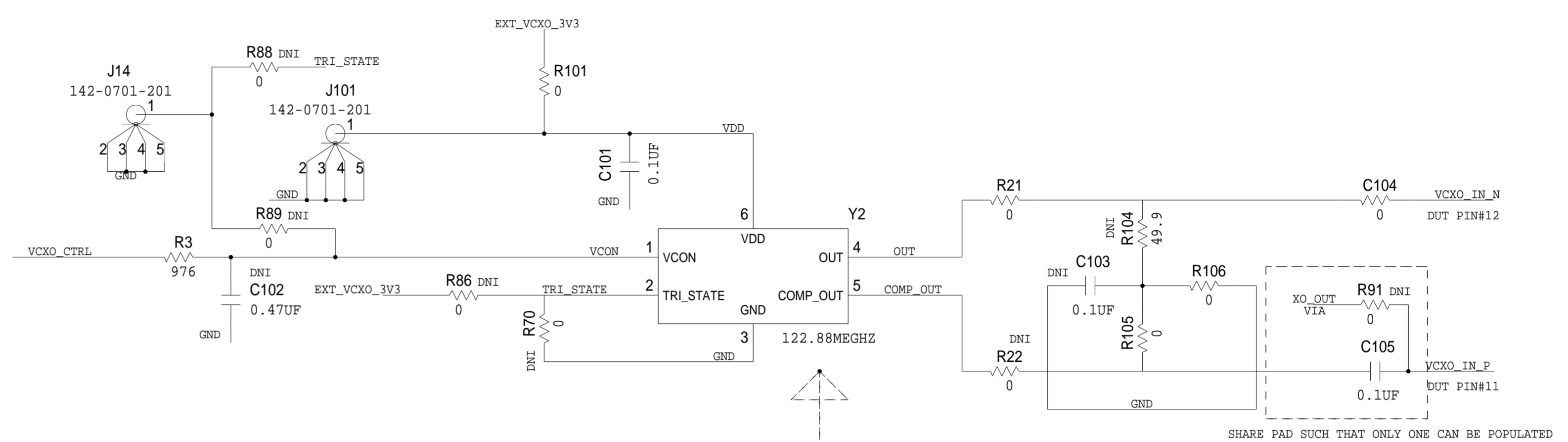
REVISIONS			
REV	DESCRIPTION	DATE	APPROVED

REFERENCE INPUT (? - ? MHZ)

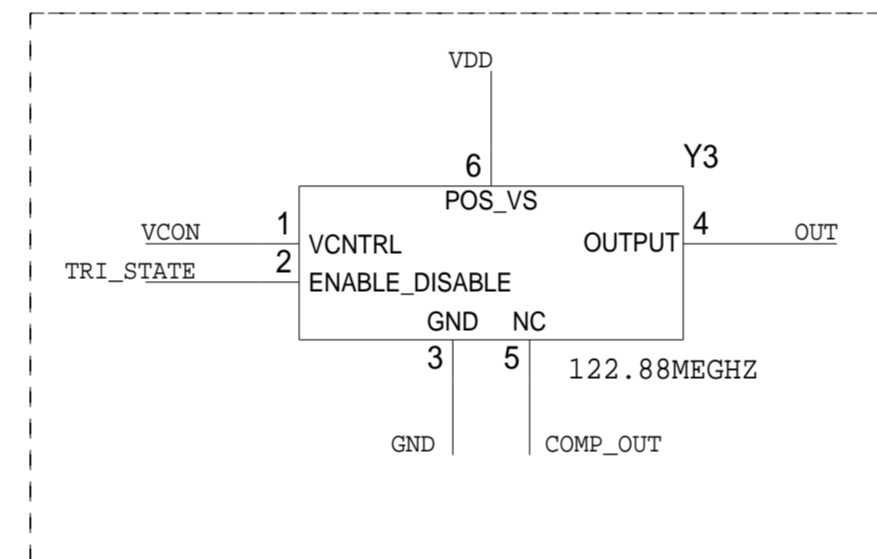


EXTERNAL VCXO INPUT (122.88MHZ)

VCXO PN	FREQ	VDD (V)
CVHD-950 VCXO		3.3

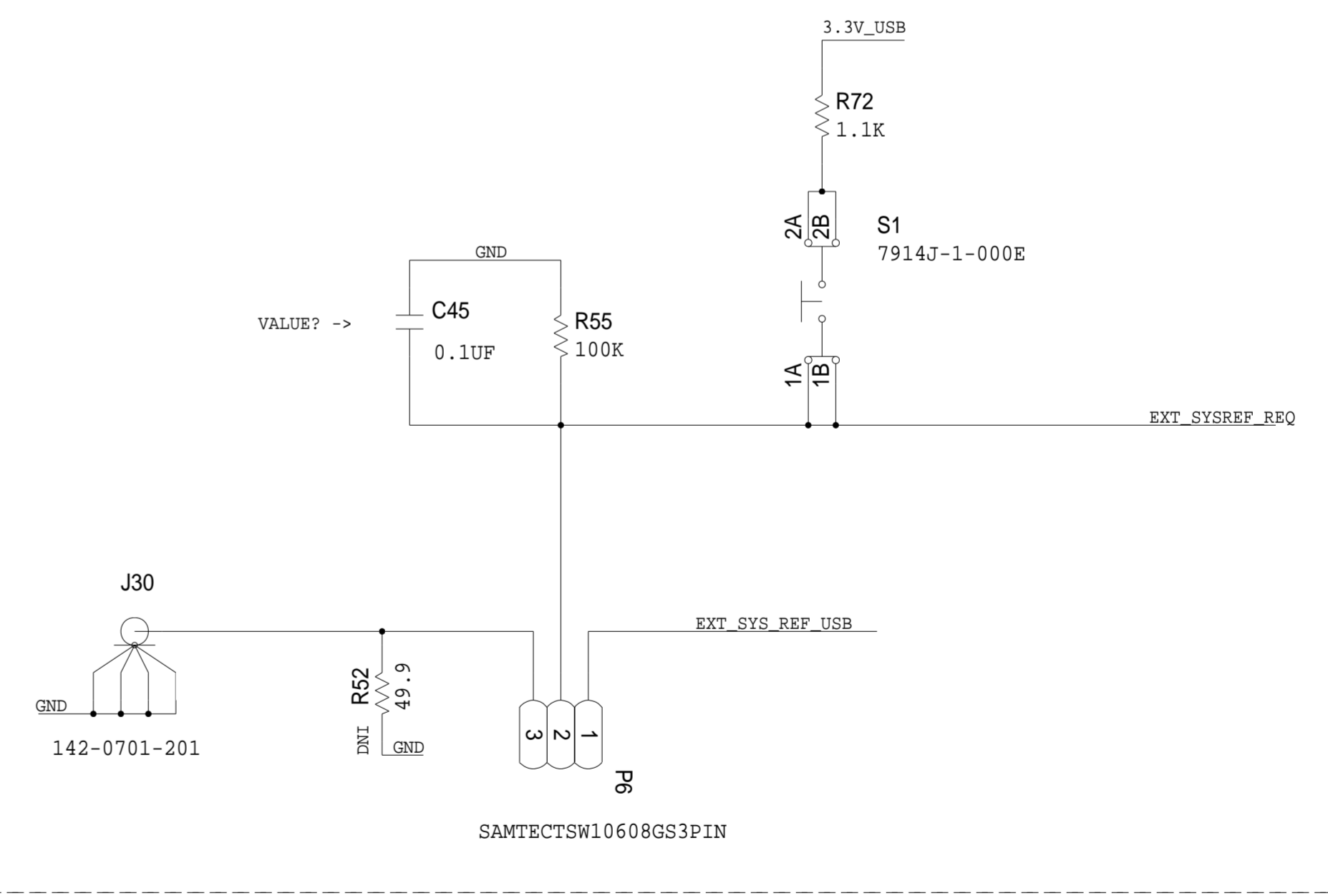


EXT VCXO SCHEMATIC COPIED FROM AD9526EE02A

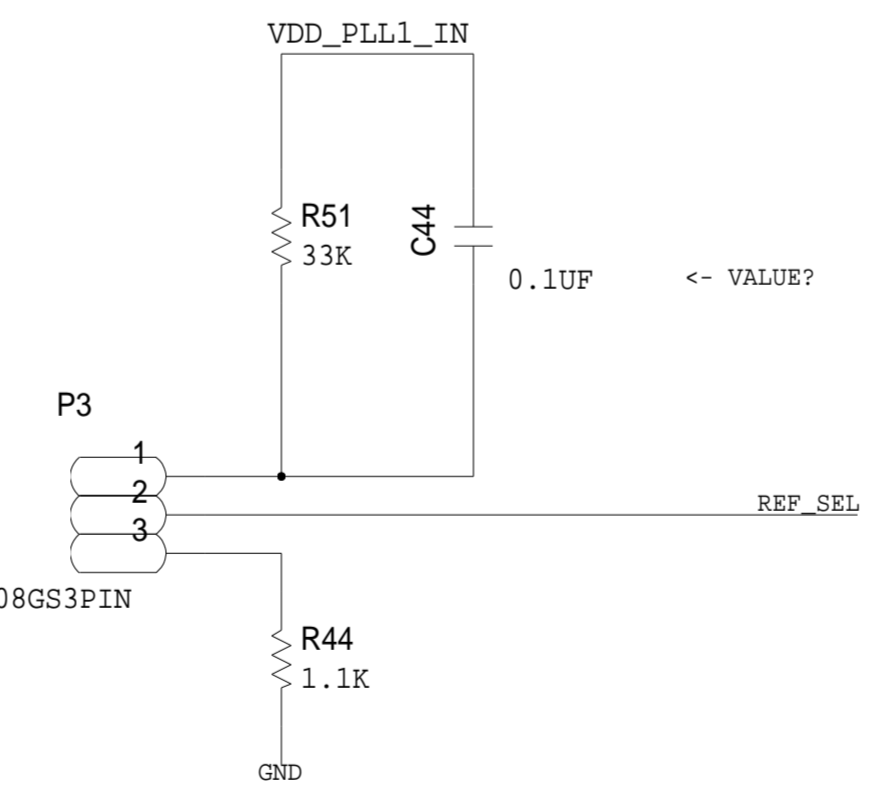
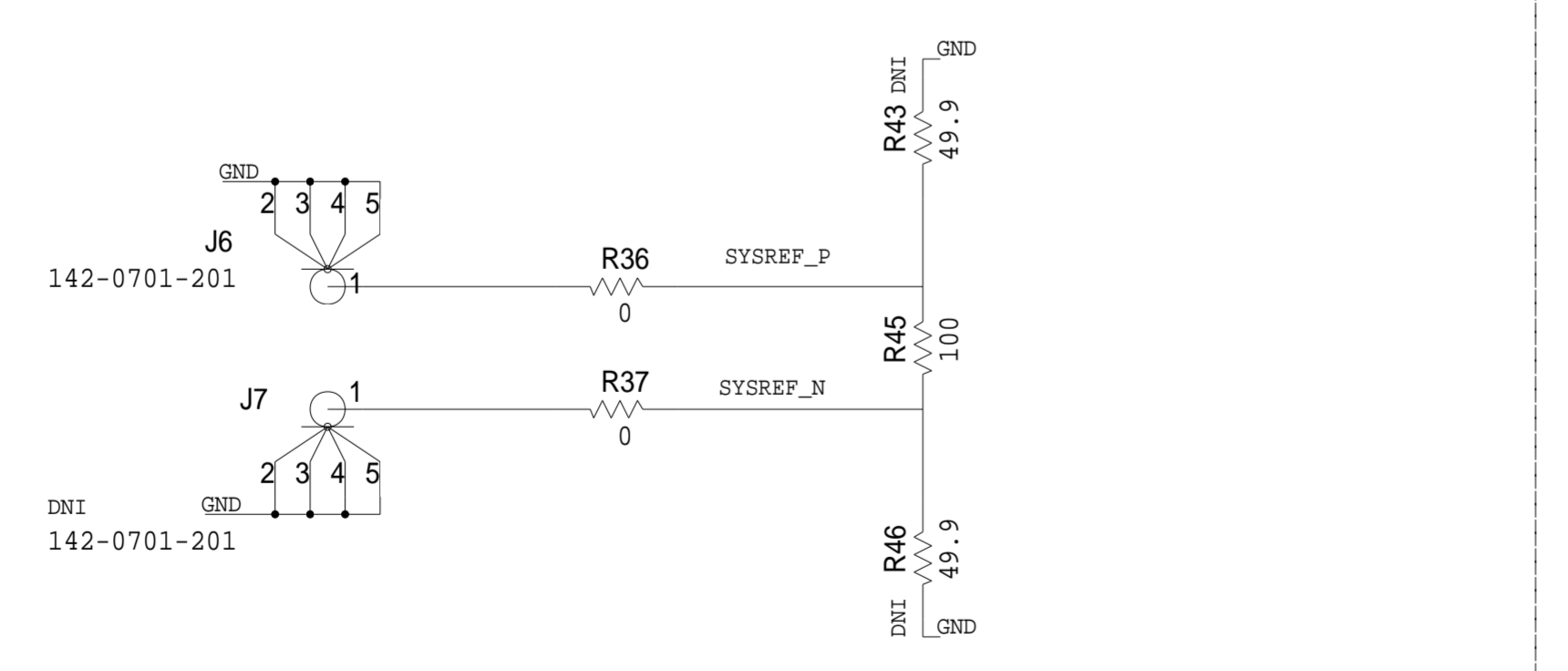


FOOTPRINT OVERLAP IN LAYOUT FOR CRYSTAL PACKAGE OPTION

SYSREF REQUEST



SYSREF IN

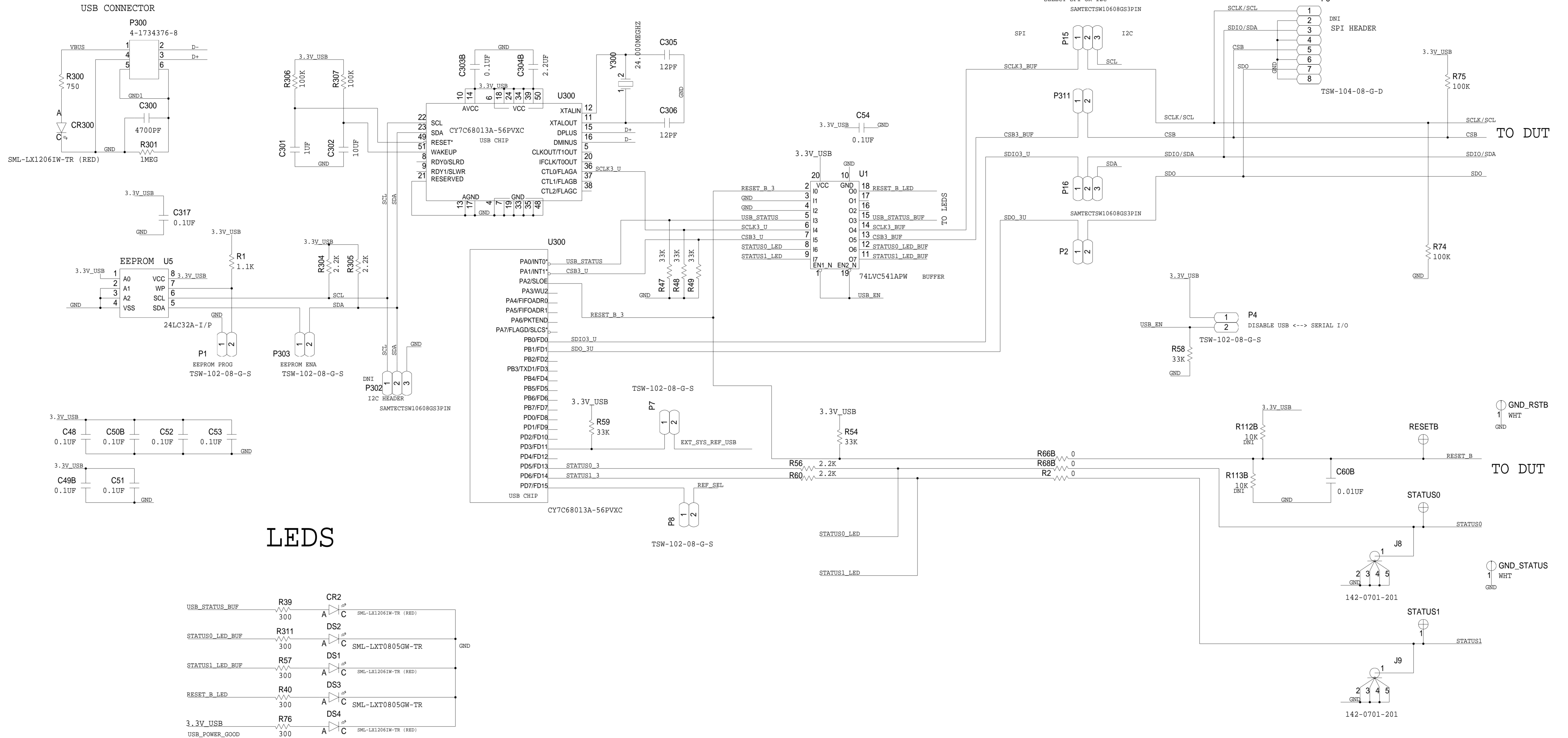


REF_SEL

ANALOG DEVICES		SCHEMATIC		
HW TYPE : Customer Evaluation		Product(s) : Ad9528		
None		None		
DESIGN VIEW	<DESIGN VIEW>	DRAWING NO.	02_037107	REV
PTD ENGINEER	S. SINGER	SIZE	D	SCALE
		1:1	SHEET	3 OF 7

AD9528 USB SECTION

REVISIONS			
REV	DESCRIPTION	DATE	APPROVED



COPIED FROM AD9526EE02A

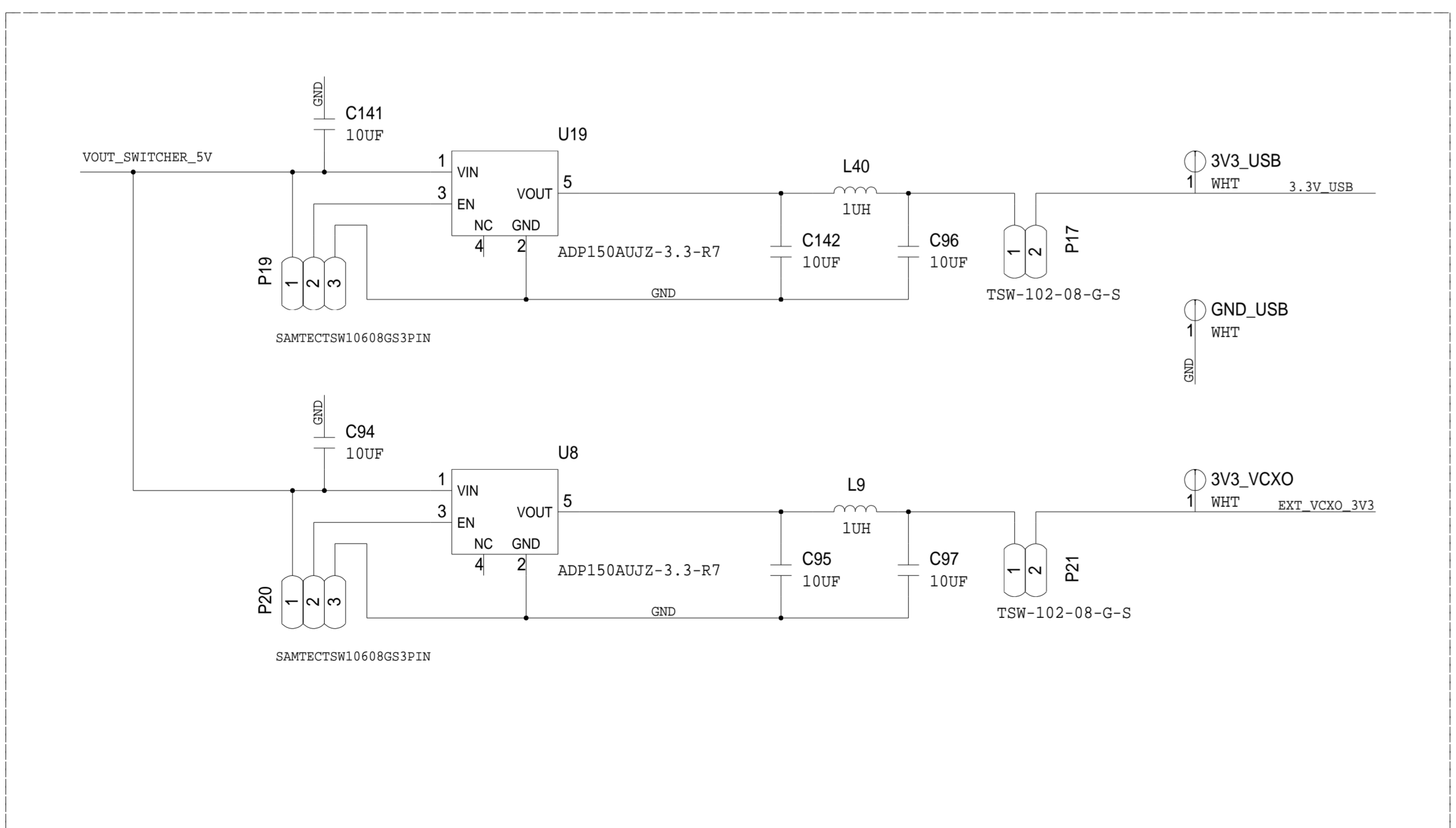
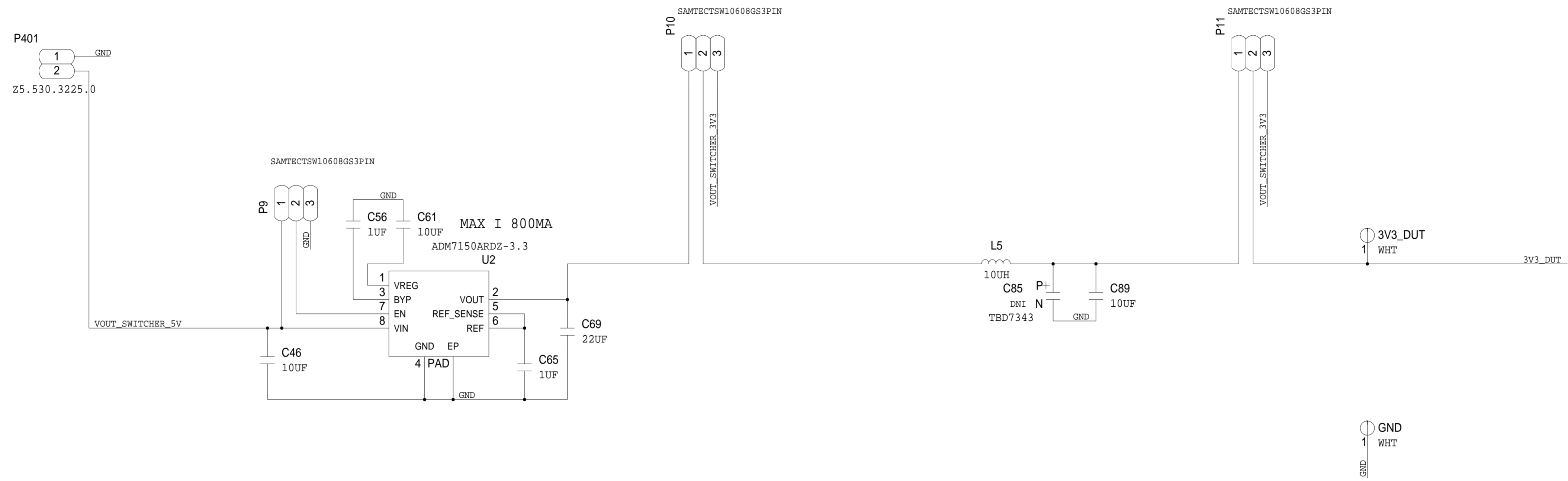
SCHEMATIC			
		HW TYPE : Customer Evaluation Product(s) : AD9528 : None	
DESIGN VIEW <DESIGN_VIEW>	DRAWING NO. 02_037107	REV C	
PTD ENGINEER S. SINGER	SIZE D	SCALE 1:1	SHEET 4 OF 7

REVISIONS			
REV	DESCRIPTION	DATE	APPROVED

AD9528 REGULATORS (USB/DVDDIO/ETC)

JUMPER ON LEFT -> DUT IS POWERED BY LDO
JUMPER ON RIGHT -> DUT IS POWERED BY SWITCHER

JUMPER ON LEFT -> DUT VOLTAGE SUPPLY IS LC FILTERED
JUMPER ON RIGHT -> DUT IS POWERED DIRECTLY BY SWITCHER



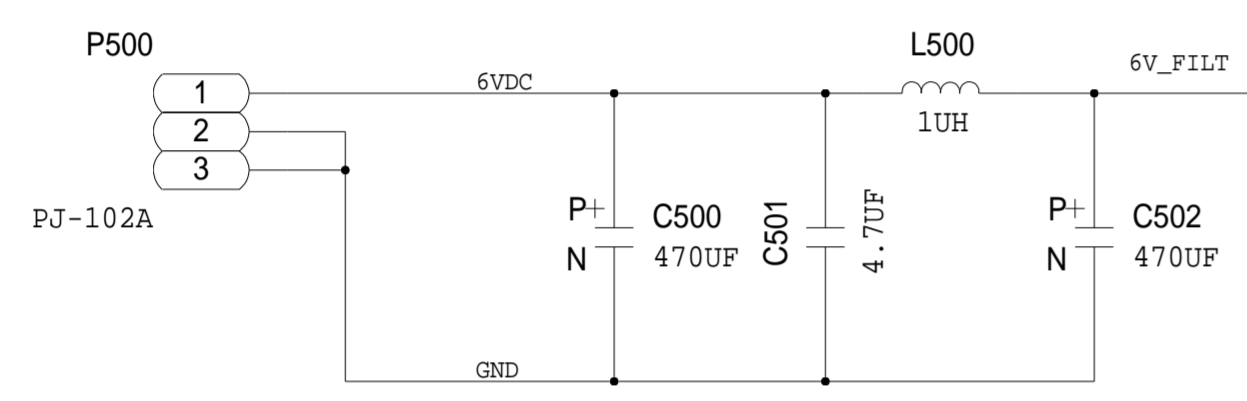
	SCHEMATIC		
	HW TYPE : Customer Evaluation Product(s) : AD9528 : None		
DESIGN VIEW <DESIGN_VIEW>	DRAWING NO. 02_037107	REV C	
PTD ENGINEER S. SINGER	SIZE D	SCALE 1:1	SHEET 5 OF 7

REVISIONS			
REV	DESCRIPTION	DATE	APPROVED

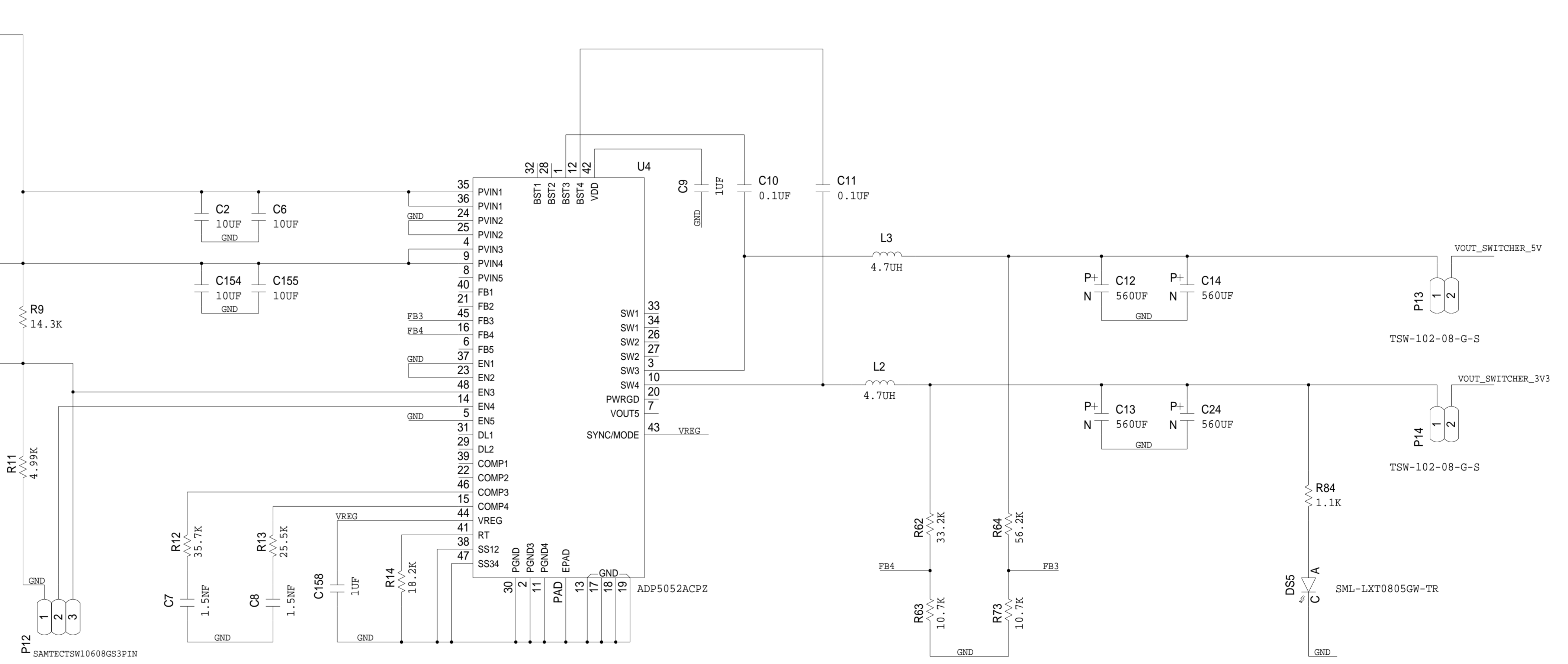
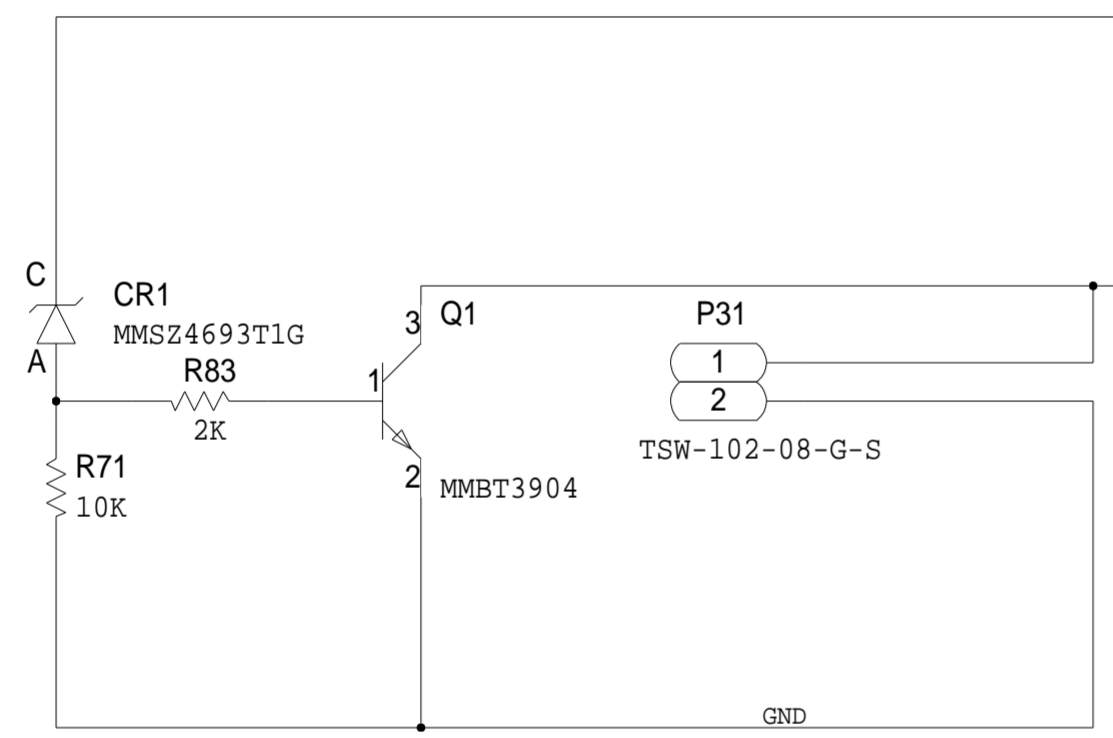
DC-DC CONVERTER

DC TO DC STEP DOWN

6V WALL CONNECTION



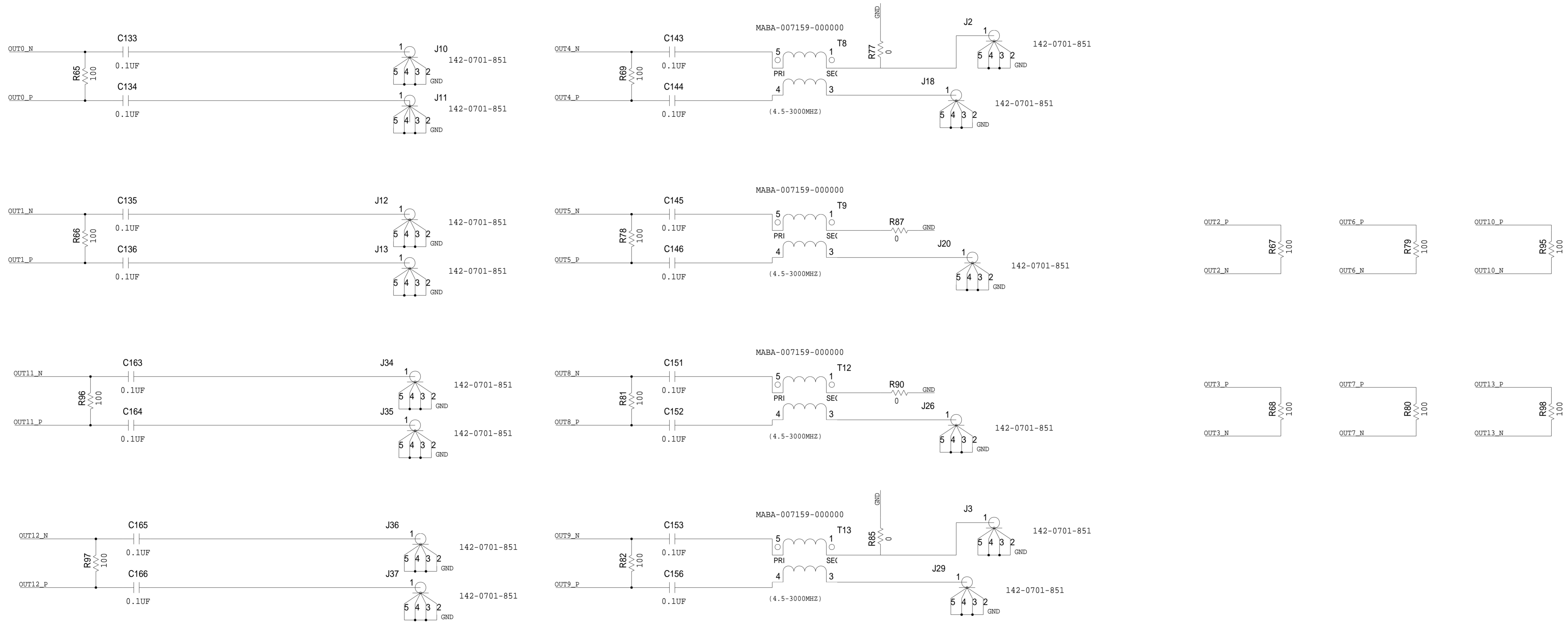
8.5V OVER PROTECTION CIRCUIT



	SCHEMATIC		
	HW TYPE : Customer Evaluation		
	Product(s) : AD9528		
	: None		
DESIGN VIEW <DESIGN_VIEW>	DRAWING NO. 02_037107	REV C	
PTD ENGINEER S. SINGER	SIZE D	SCALE 1:1	SHEET 6 OF 7

REVISIONS			
REV	DESCRIPTION	DATE	APPROVED

AD9528 CLOCK OUTPUTS



	SCHEMATIC		
	HW TYPE : Customer Evaluation Product(s) : Ad9528 : None		
DESIGN VIEW <DESIGN_VIEW>	DRAWING NO. 02_037107	REV C	
PTD ENGINEER S. SINGER	SIZE D	SCALE 1:1	SHEET 7 OF 7