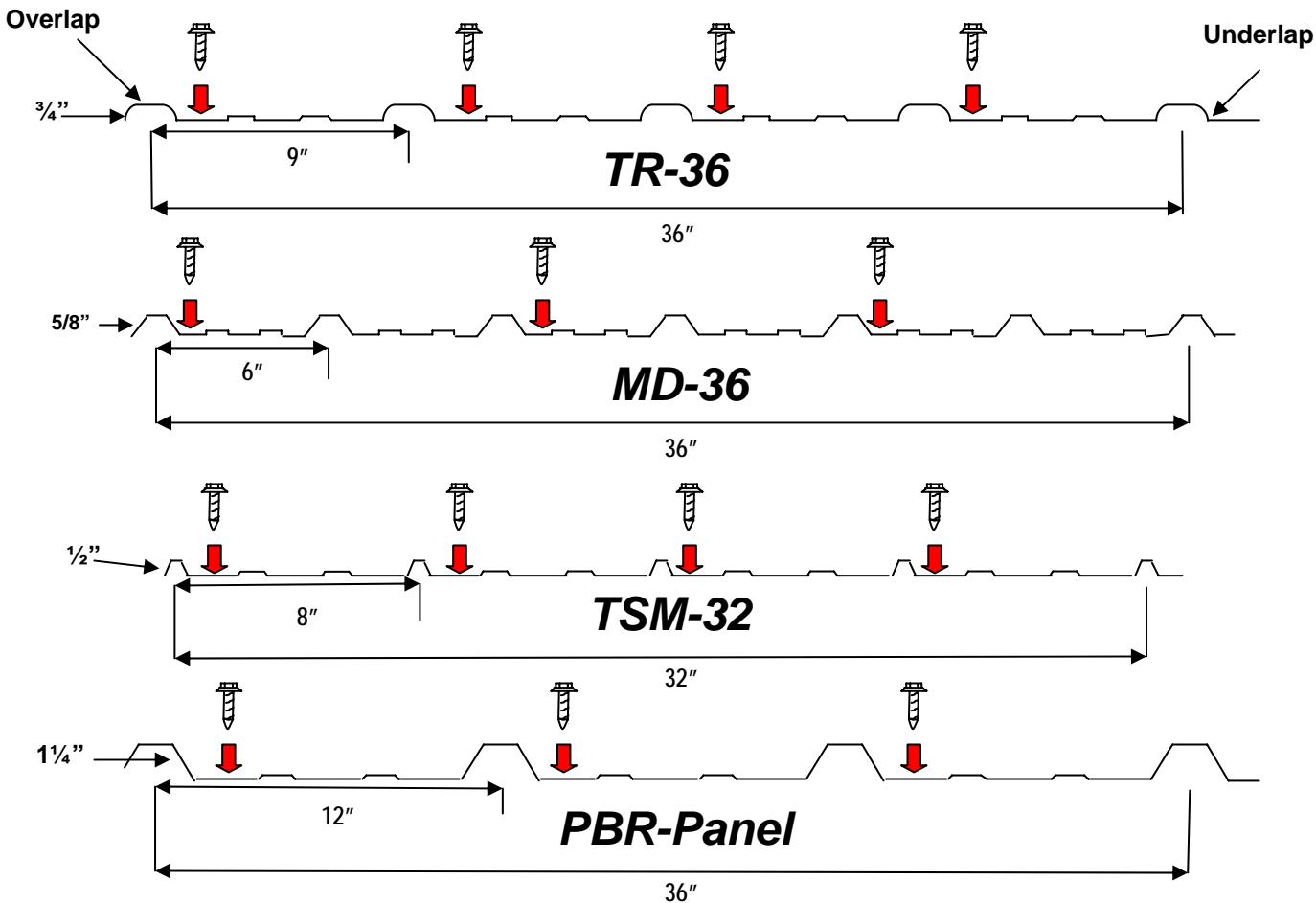
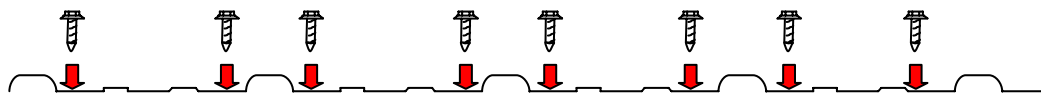


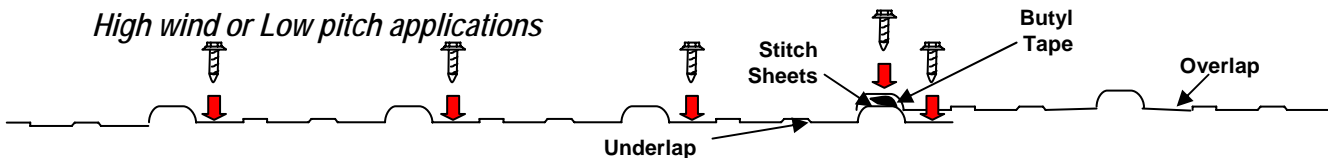
403-279-2766



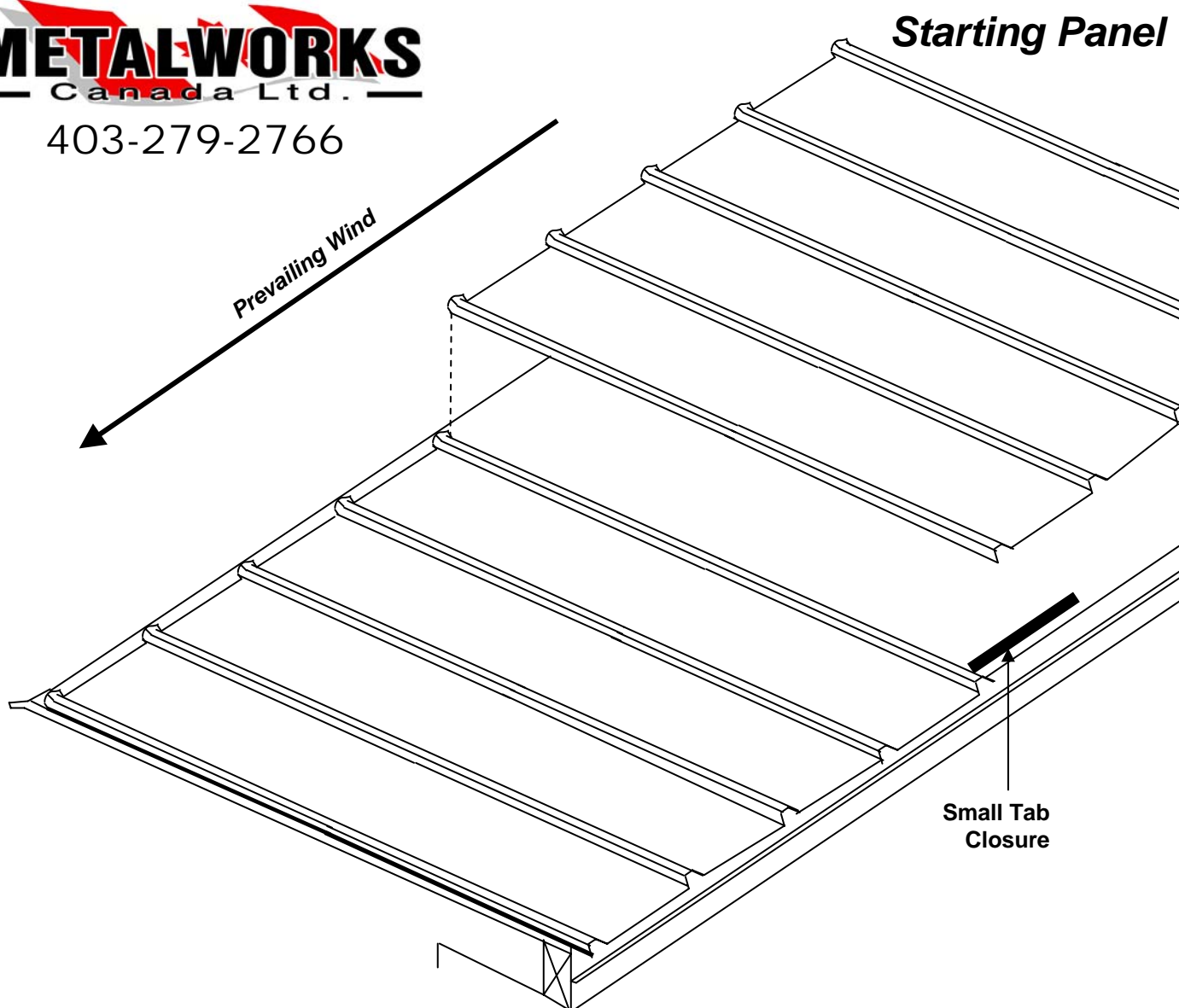
Bottom Edge Screw Pattern – apply to every profile except for MD36 (1 screw beside every rib)



High wind or Low pitch applications



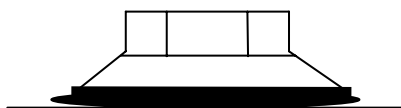
**All roof and wall sheeting requires 3/4" to screw to either 3/4" plywood or 1x4 standard spruce strapping. Vapor barrier is recommended. (15 lb. felt or Feltex)
 29ga 24"oc strapping (max 30" span between strapping)
 26ga 48"oc strapping (max 48" span between strapping)
 TR36, MD36 and TSM32 is not recommended to be installed below a 2/12 pitch**



Stack sheets for one side. Pre-drill sheets with 3/16 hole as per screw pattern. Drill no more than 25 sheets at one time. Starting the gable end away from the prevailing wind, set first panel. Alignment is critical. The first panel determines the alignment of all remaining panels on the roof. Small tab closure should be placed under the panel at the eave as the panels are installed. Make sure to screw through the closure.

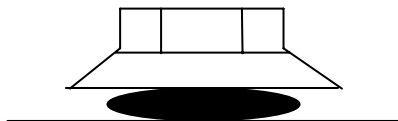
Fastener depth chart

Correct



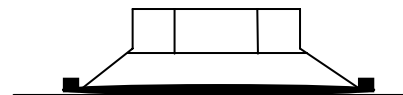
Sealing matl. slightly visible at edge of metal washer. Assembly is water tight.

Too loose



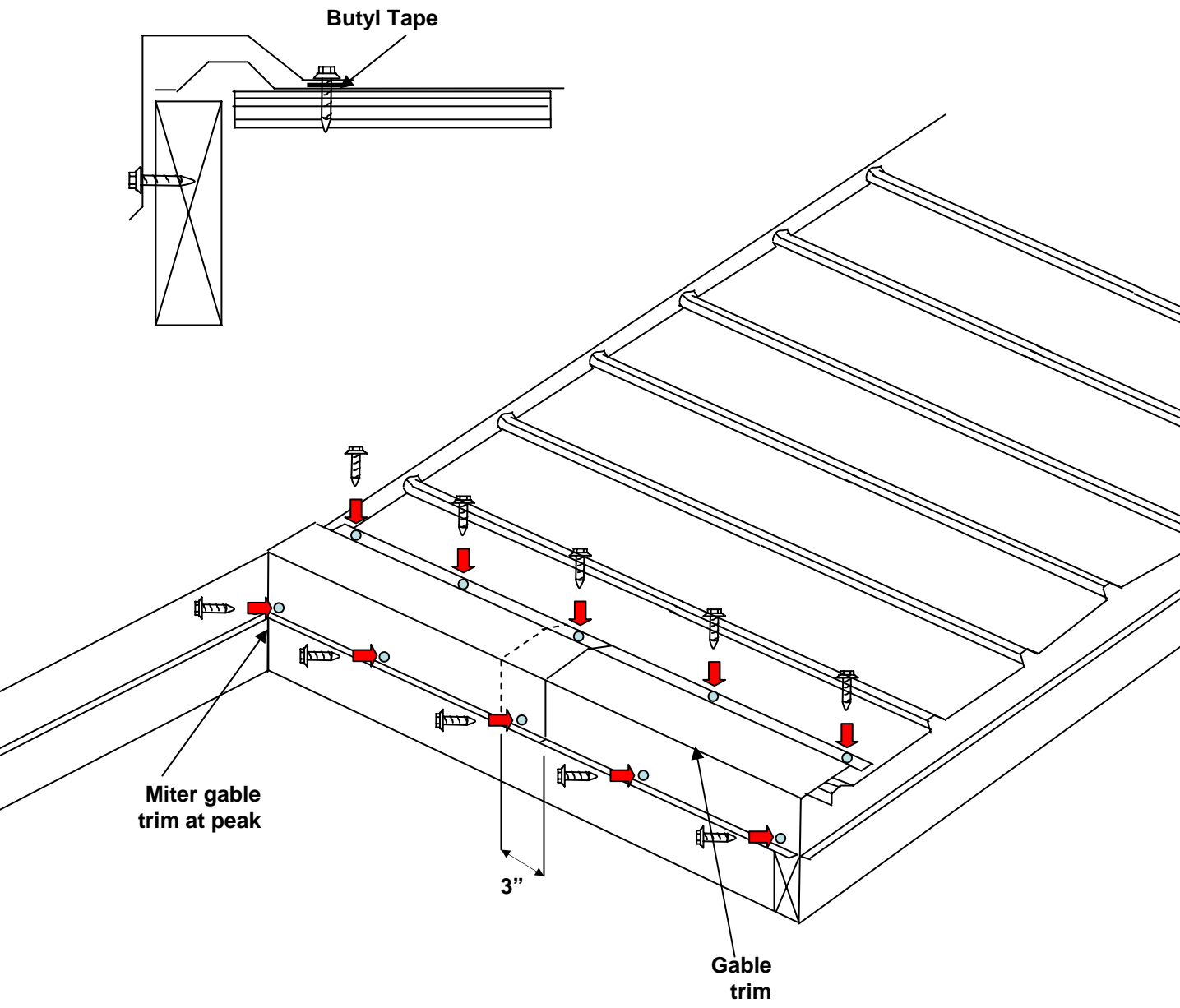
Sealing matl. not visible, not enough compression to seal properly.

Too tight



Sealing matl. Extruded beyond edge of washer.

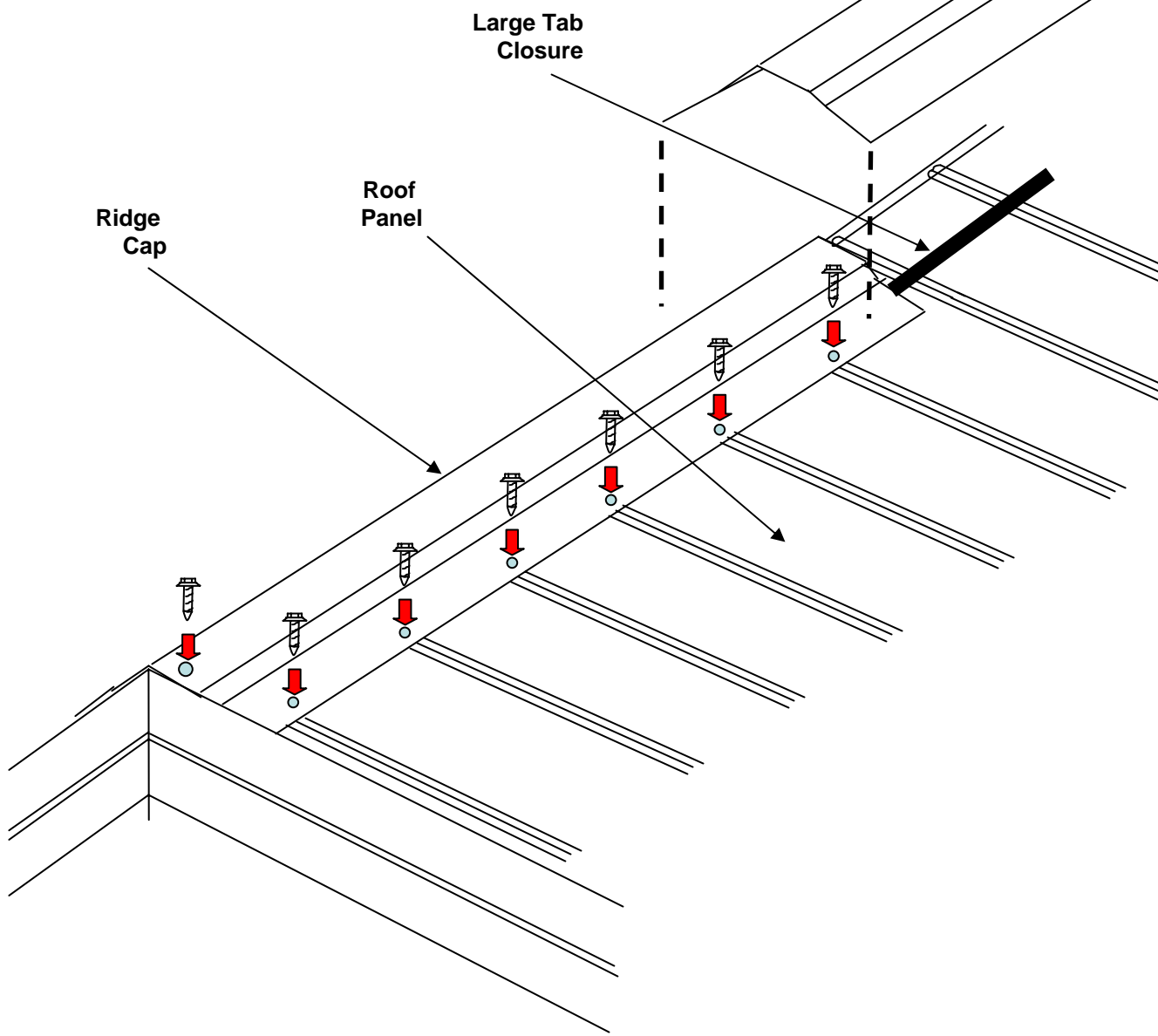
403-279-2766



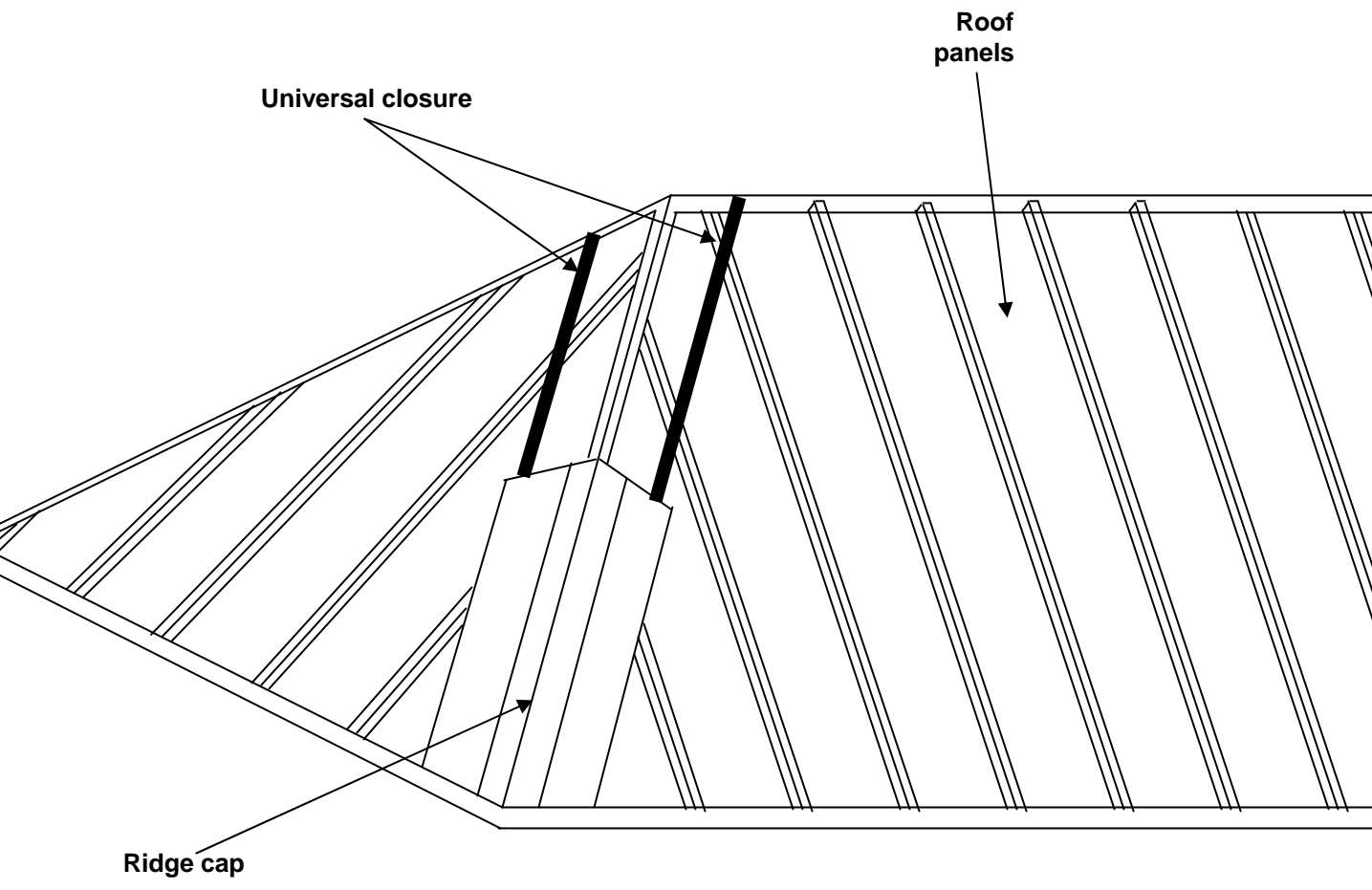
Always start gable trim at eave and work towards ridge. End lap gable trim a minimum of 3 inches. Butyl tape should be placed between the gable trim and the roof panel. Attach the gable trim to the roof panel with panel fasteners located 24 inches apart. Miter gable trim at peak of roof as required. Attach gable trim to fascia with panel fasteners every 24 inches.

403-279-2766

Ridge cap should be end lapped 6 inches at each end. Place large tab closure between the ridge cap and the roof panels. Attach ridge cap to rib of roof panel with screws on every rib along both sides of rib. Make sure to screw through closures.

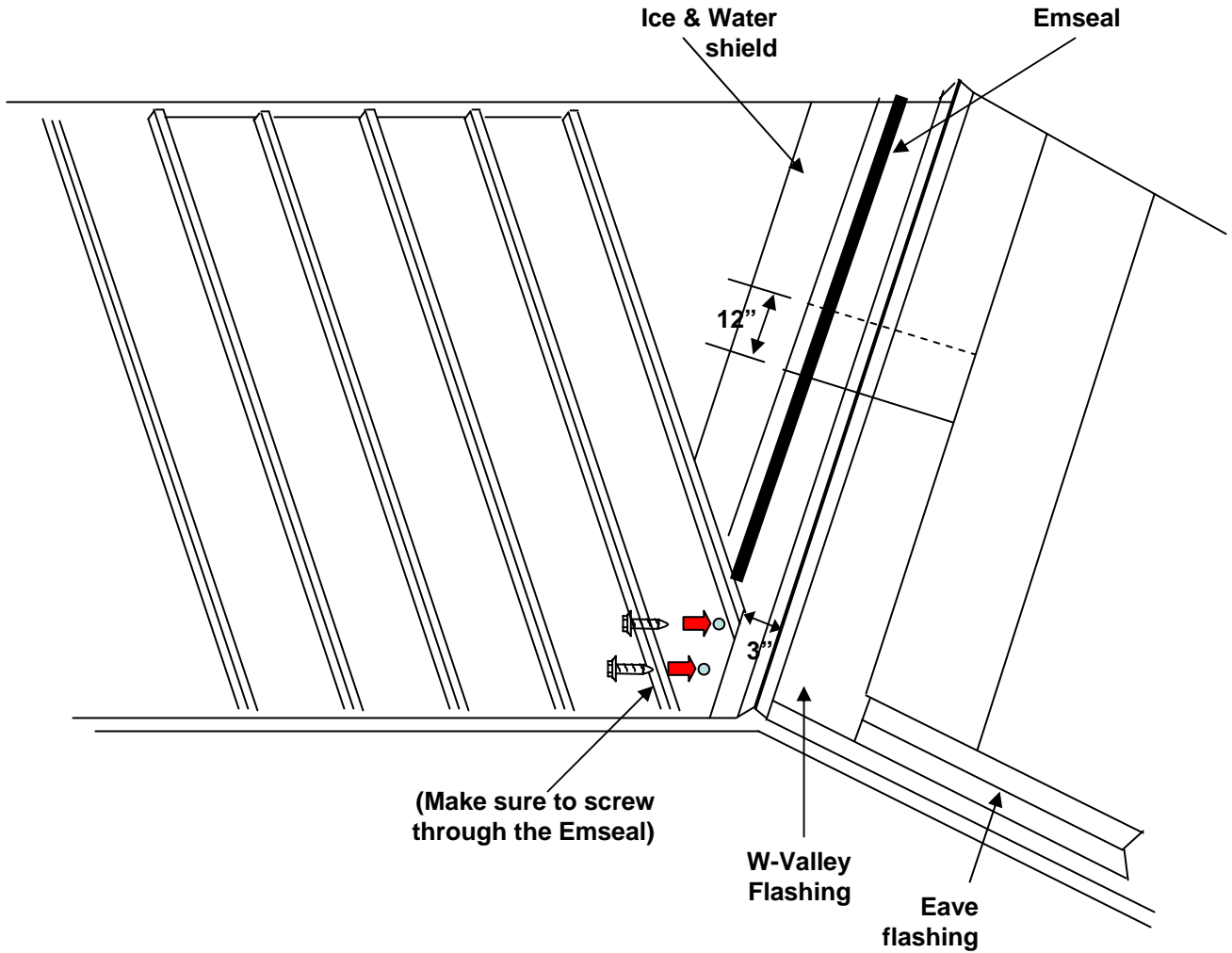


403-279-2766



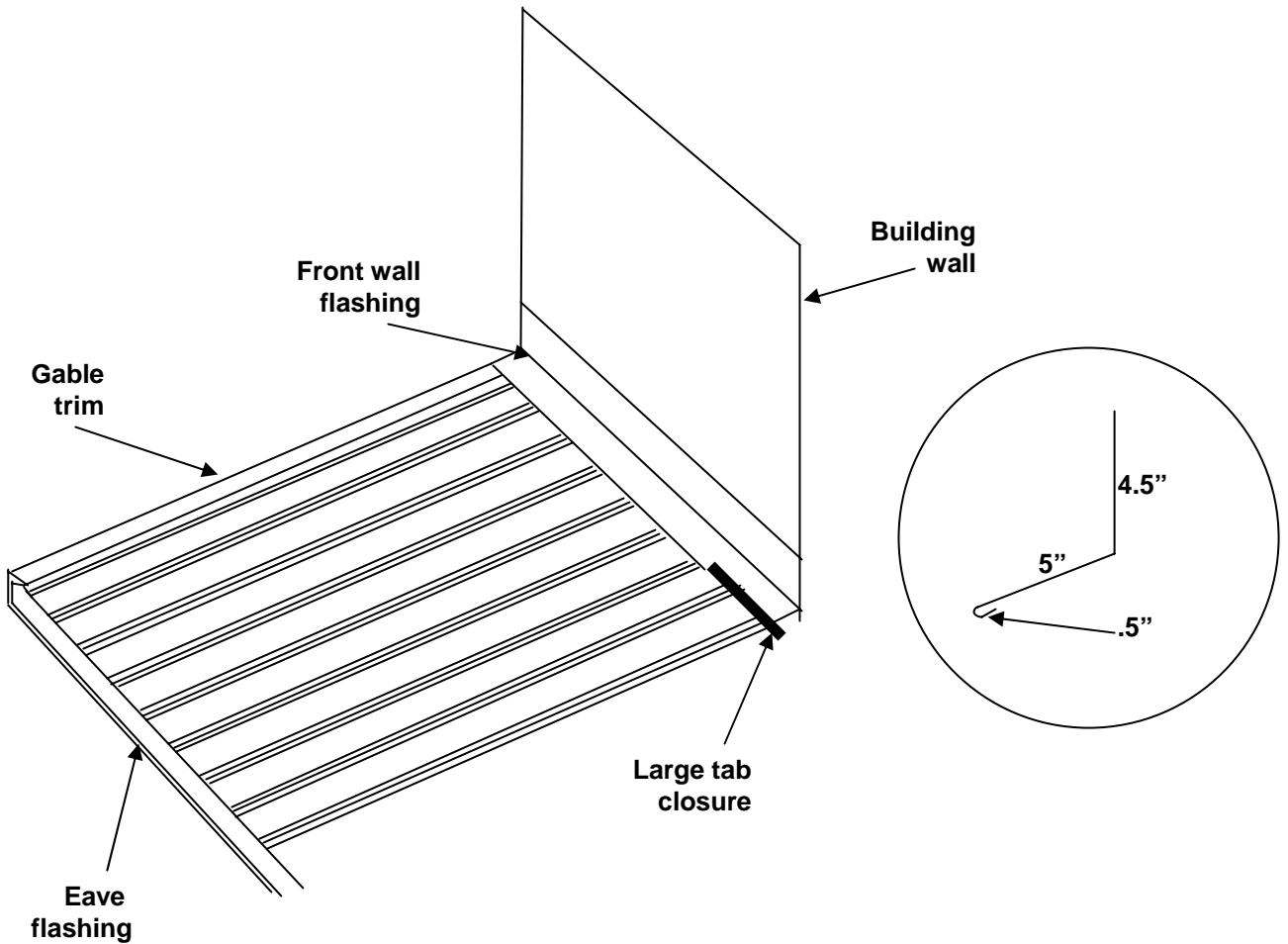
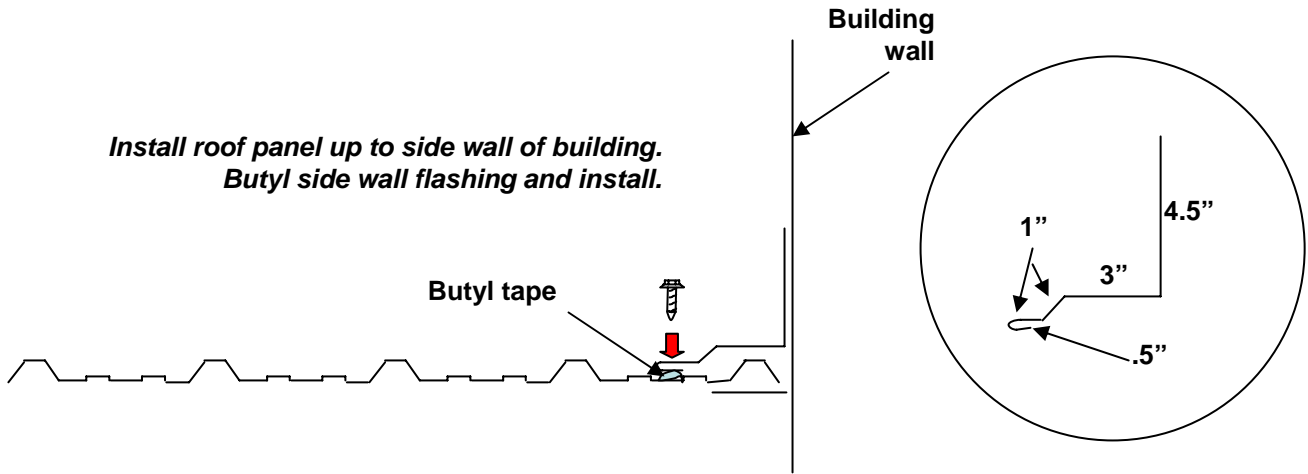
Always start ridge cap at eave and work towards top ridge. End lap ridge a minimum of 6 inches. Cut roof panels on angle as necessary. Universal closure should be placed between ridge cap and roof panels. Attach ridge cap to roof panel rib using screws at each panel rib.

403-279-2766



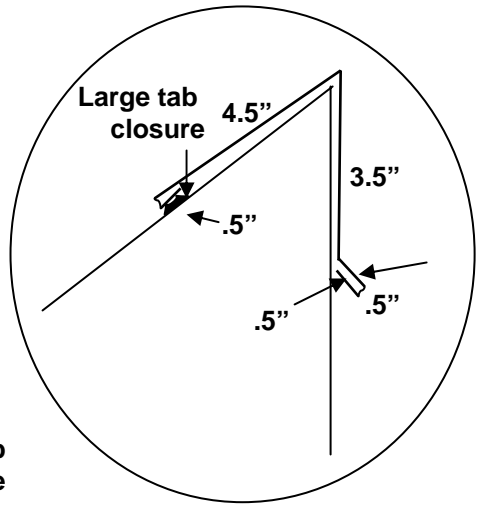
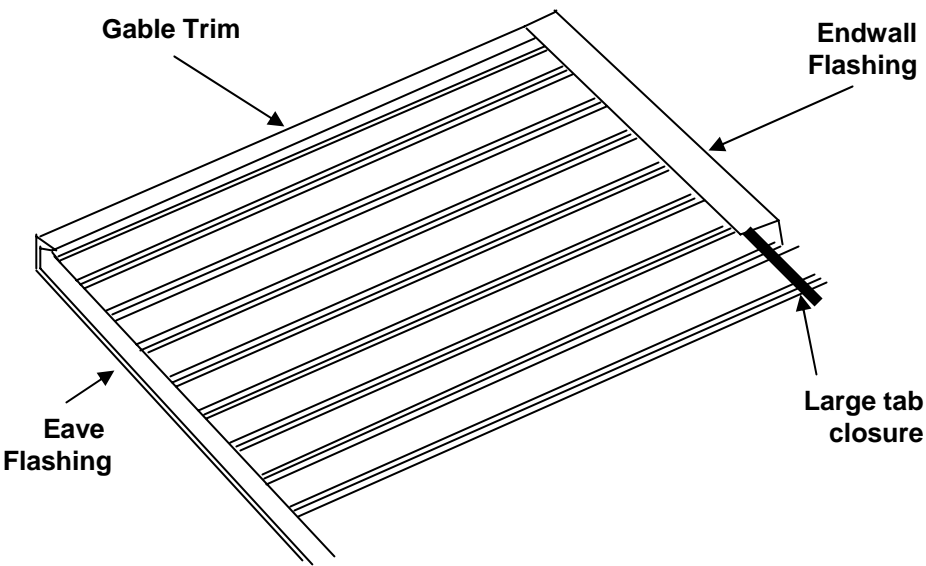
Always start w-valley at eave and work towards ridge. Temporarily secure valley in place with small nails or flat screws. End lap w-valley a minimum of 12 inches. Cut roof panels on angle as necessary. Emseal closure should be placed under roof panels. Install fasteners on center on both sides of valley through panel and closure 3 inches back from edge of cut metal.

*Install roof panel up to side wall of building.
Butyl side wall flashing and install.*

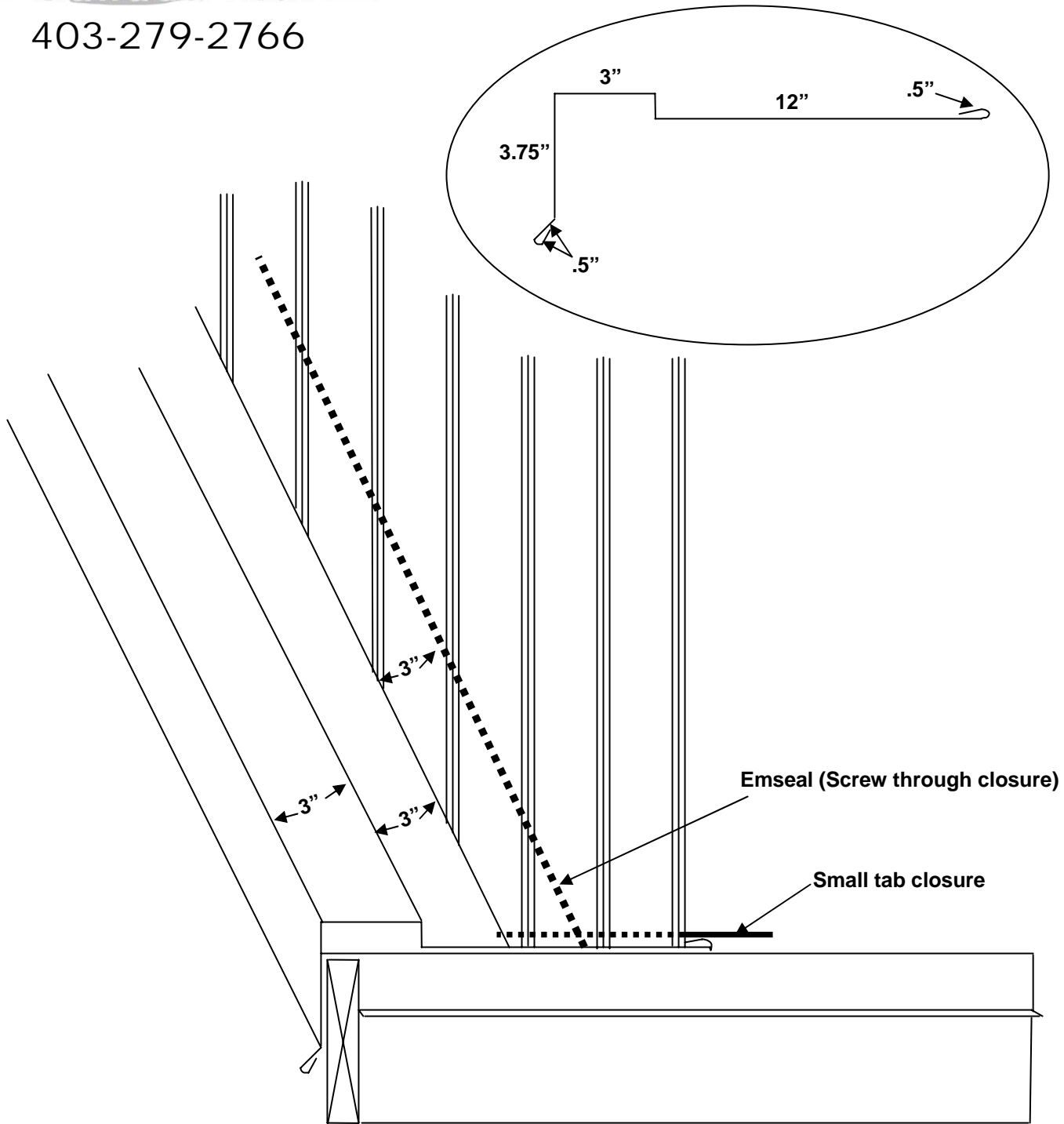


Install roof panels. Install gable trims. Place large tab closure and install front wall flashings. Screw to ribs and make sure to screw through the closures.

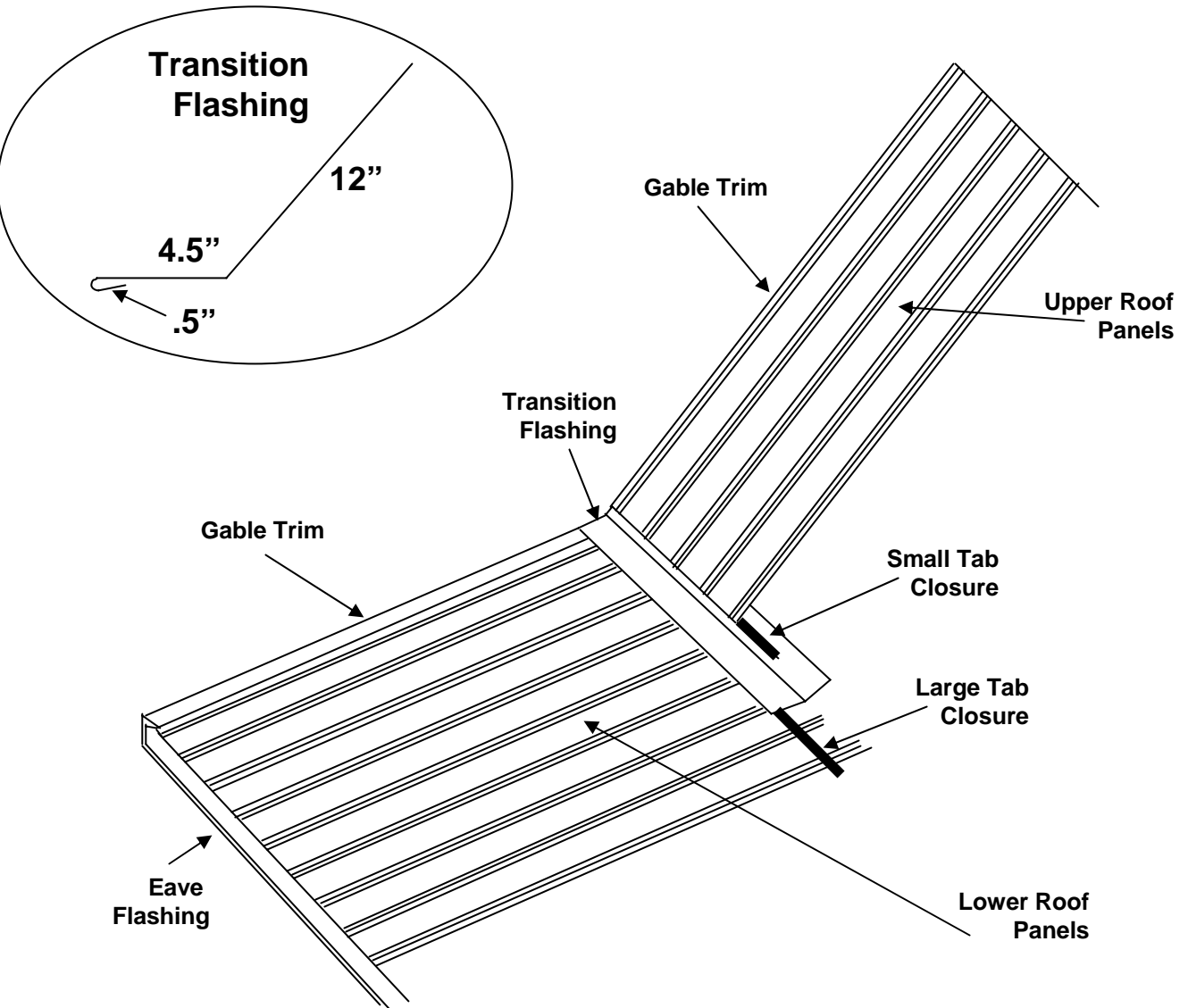
403-279-2766



Install metal roof. Install endwall flashing at top where roof ends. Make sure to screw through the closures.

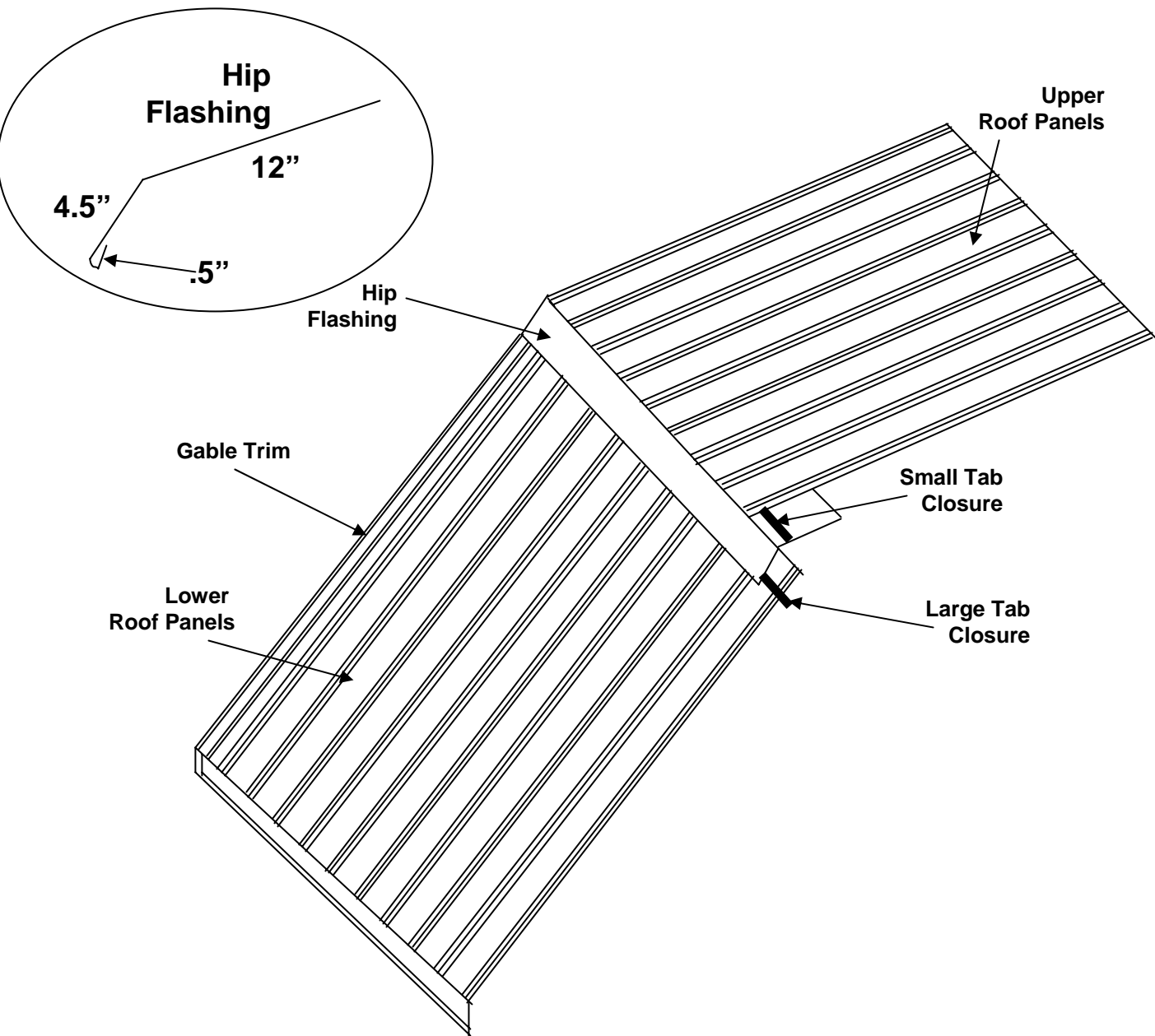


Install flared gable flashing. Keep metal roofing back 3 inches. Install emseal closure 3 inches back from metal roofing. Make sure to screw through the closure.



Transition flashing should be used when the roof panels change pitch. Place the transition flashing over the lower roof panels. Large tab closure or universal closure should be placed between the lower roof panels and the transition flashing. Use screws to attach the transition flashing to the ribs of the lower roof panels. Install the upper roof panels over the transition flashing placing small tab closure or universal closure between the two. Attach the bottom edge of the upper roof with panel fasteners similar to the eave installation. Make sure to screw through the closures.

403-279-2766



Hip flashing should be used when the roof panels change pitch. Place the hip flashing over the lower roof panels. Large tab closure or universal closure should be placed between the lower roof panels and the hip flashing. Use screws to attach the hip flashing to the ribs of the lower roof panels. Install the upper roof panels over the hip flashing placing small tab closure or universal closure between the two. Attach the bottom edge of the upper roof with panel fasteners similar to the eave installation. Make sure to screw through the closures.

403-279-2766



SELECT and TRIM...

Choose appropriate Master Flash with opening at least 20% smaller than pipe diameter. If necessary trim opening to 20% smaller than pipe diameter.



SLIDE...

Slide Master Flash down over pipe. (A non-petroleum base lubricant will ease installation.)



FORM...

Press Master Flash down, bending it to conform to roof profile or roof irregularities. A blunt tool will help press flashing into tight roof angles.



SEAL...

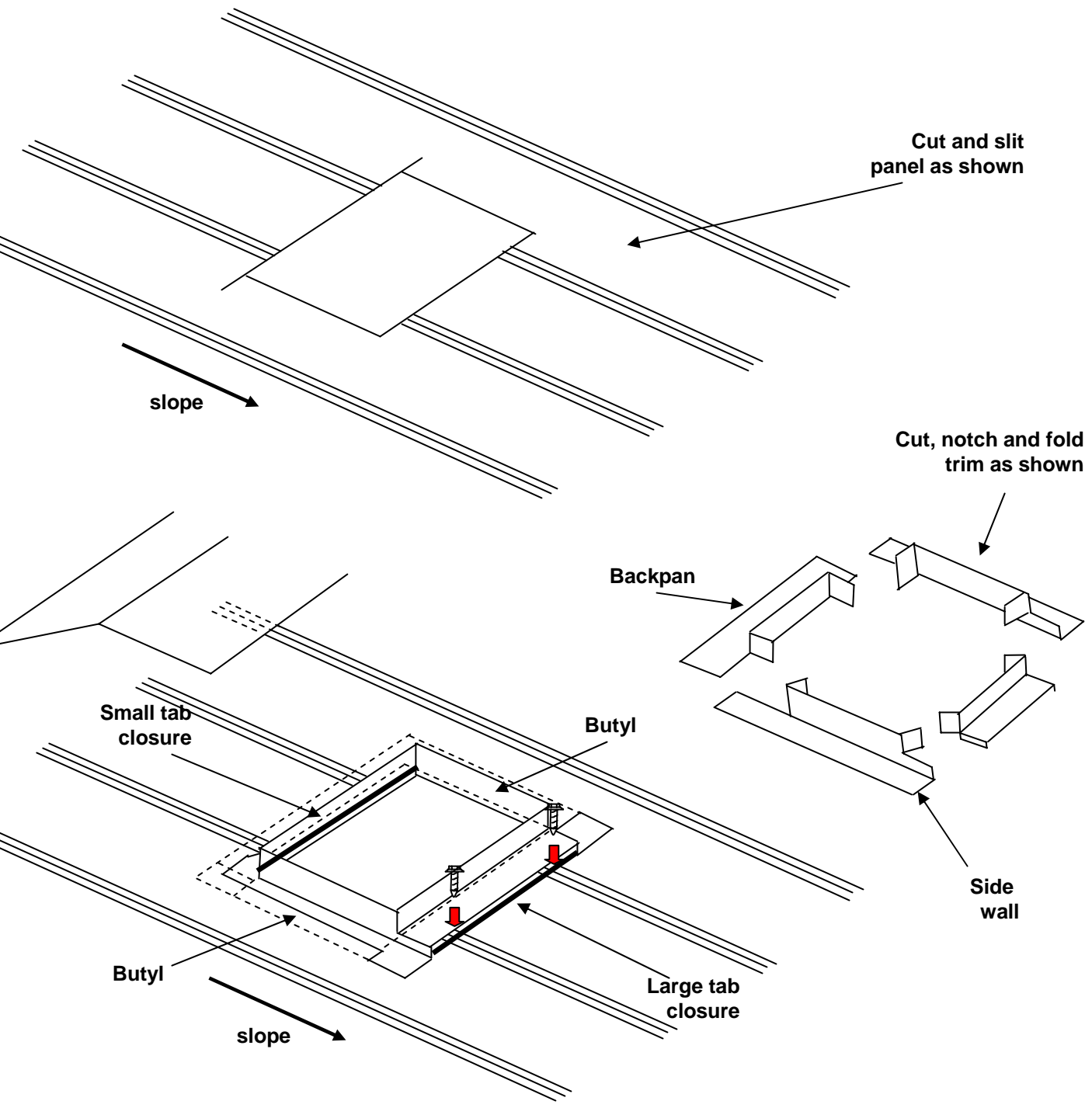
Apply sealant between base and roof.



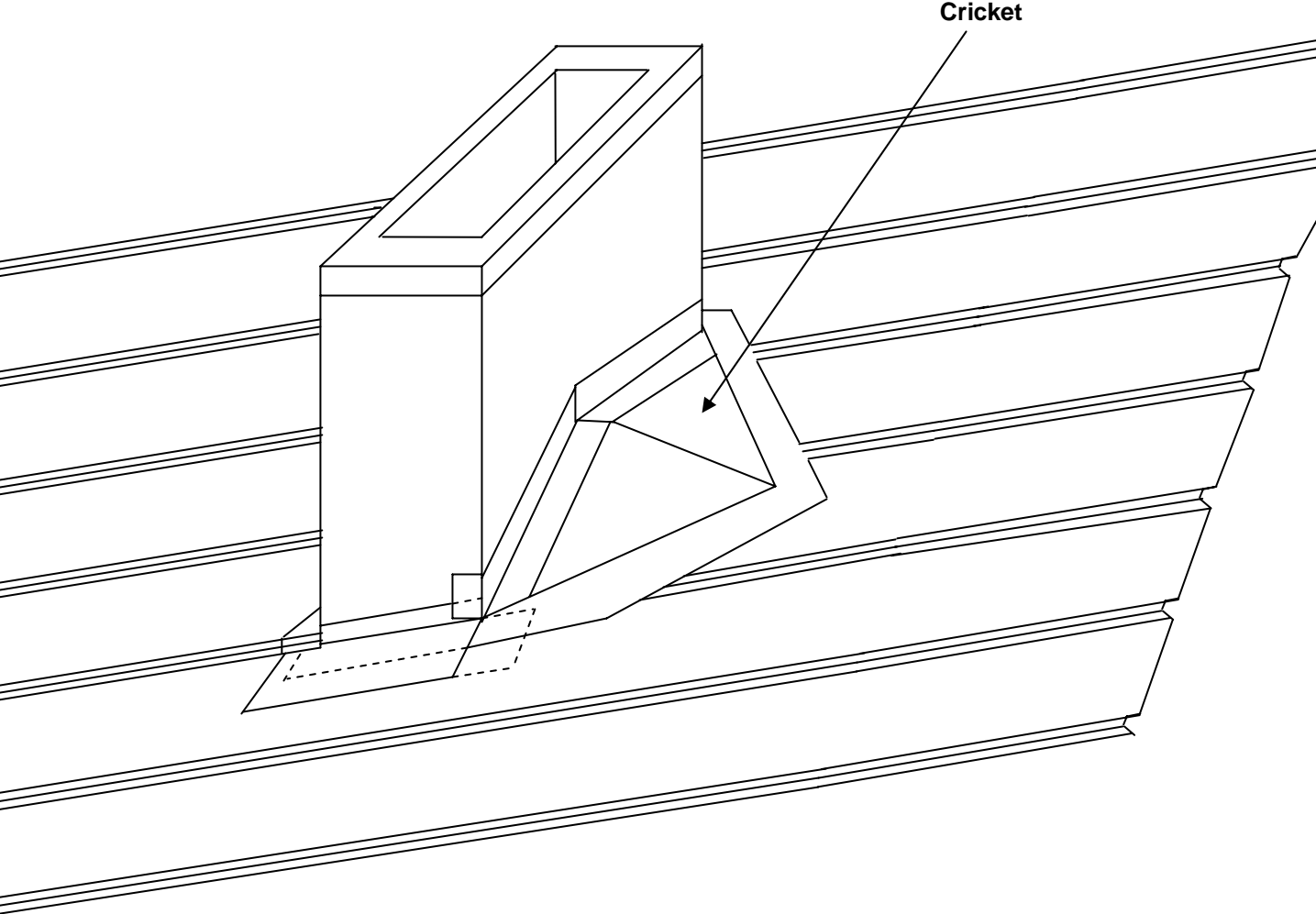
FASTEN...

Use fasteners to complete sealing. For UPC installation, fastener spacing may not exceed 1-1/2" (38mm).

Cut opening in roof panel. At bottom of opening slit panels or cut and endlap roof panels. Cut, notch and bend skylight trim as required (see example). Use emseal or caulk to seal between roof panel and skylight trim.



403-279-2766

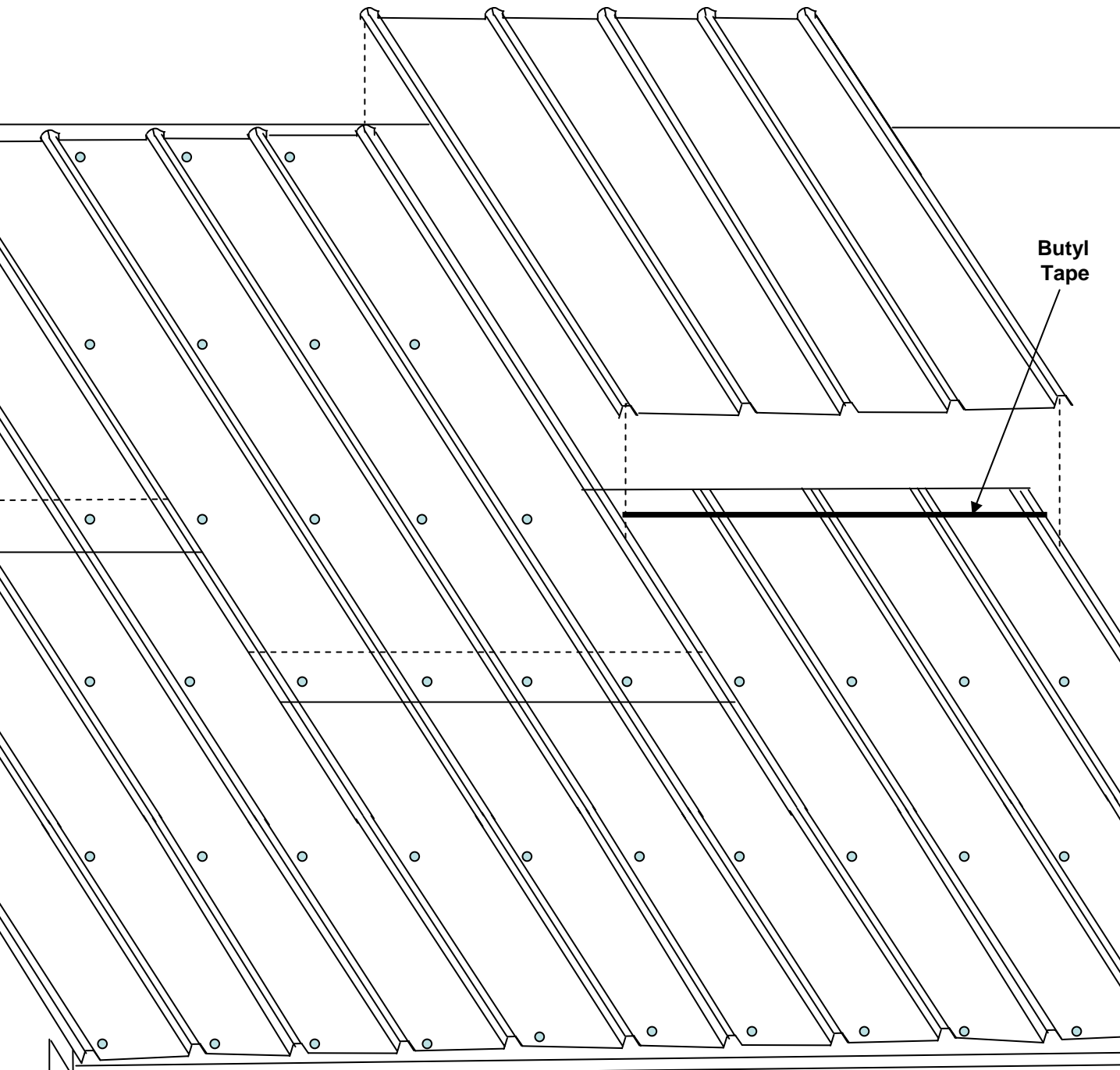


Metalworks Canada recommends that a cricket be built up slope of large chimneys to prevent snow build up and water ponding. Cover the cricket with roll valley or flatstock and flash to chimney with skylight trim or universal sidewall and universal endwall flashing.

403-279-2766

Panels should be end lapped a minimum of 6 inches. End laps should never be run in a continuous line. Stagger end laps at least 1 foot apart.

Jobsite cutting of panels if required may be done with either nibblers or shears. If extensive cutting is involved the use of a circular saw equipped with a steel cutting blade is recommended. Cut panels with bottom side up. Be sure to remove the metal filing immediately.



403-279-2766

Recommended minimum roof slope for TR-36 is 2:12. It must be applied at any end lap conditions and at all side lap conditions under 4/12 pitch.

