



Sanchez

Refrigeration Equipment Sales, Inc.



Se Habla Español



68 Oakview Circle West • Palm Coast, FL 32137
386-597-6381 • 386-597-6385 fax • 954-648-2459 cell
Sanchezref@bellsouth.net • www.sanchezref.com



THE HISTORY OF



Ralph Sanchez
President

Ralph Sanchez has been involved in various aspects of the ice industry for the past 49 years, beginning his career in 1968 as a part-time bagger for Reddy Ice in Houston, Texas. During his years with Reddy Ice he quickly advanced to Plant Manager and then to Regional Manager for Florida. In the mid-1970's Ralph changed careers to be the National Sales Manager for Leer Manufacturing Company. During his tenure with Leer he dramatically increased the company's sales.

In 1979 he opened his own ice plant and equipment sales business in Florida. The business grew and within a few years they were servicing over 500 accounts. In 1985, Ralph sold the ice plant and founded Sanchez Refrigeration and Equipment Sales to focus solely on

equipment sales, ice plant design and construction. He determined at that time the philosophy would be "Excellence" in all realms of the business.



In 1996 the company opened a shop in Pompano Beach to refurbish used equipment. There are also facilities to store equipment in Miami and West Palm Beach. Ralph personally inspects and tests all equipment before it is shipped to the customer

Over the years, Ralph has designed and supervised the construction of numerous ice plants ranging in size from five ton to 200 ton. This continues to be a major portion of the company's success and is evidenced by the number of plant designs currently on the drawing board. Sanchez Refrigeration continues to focus on customer satisfaction as its main goal, and

has found his philosophy has led to his best form of advertising...word of mouth. Although Sanchez Refrigeration is a small company, the personal and commitment to satisfaction has worked to achieve success that continues to grow each year.



TABLE OF CONTENTS



BAG CLOSERS		ICE SIZER STORAGE/BINS	
Hamer Model 125	3	Turbo Ice Sizer	44
Hamer Model 125 with Take-off	3	Matthiesen 3300# Bin	44
Hamer Ring Closer	4		
JMC Fuseaire 4 Heat Sealer	4	ICE STORAGE BINS/RAKES	
		Keith Walking Floor Ice Storage	45
BAGGERS		Matthiesen Live Bottom Bin	46
Ice Max Model BL510 Volumetric Bagger	5	North Star Modular Ice Rake Systems	46
Matthiesen BF-150 Bagger	6	Patkol Rakes	47
Matthiesen VL Series Baggers	6		
Matthiesen VLS Series Baggers	6	MATERIAL HANDLING EQUIPMENT	
Matthiesen HSB 510	7	Magliner Gemini Hand Trucks	48
Hamer Model 540	8	Magliner Curb Ramp	48
Hamer Automatic Form Fill and Seal	9	Magliner Dockboards and Dock Plates	48
Hamer Ice bag Gusset Former	9		
JMC Automatic Bulk Ice Bagger	10	MERCHANDISERS	
Matthiesen Magic Finger System	10	Ice Buddy Self Contained Drop-In Refrigeration Systems	49
		Ice Buddy for Export	50
BALERS		Ice Buddy	51
JMC Automatic Master Baler	11		
		MOTORS	
BLOCK ICE MAKERS		Baldor Electric Company	54
Clinebell Carving Block Maker	12		
BLOCK PRESSES		PALLETIZERS	
Vogt Manual Block Press	12	ISSI The Evolution	55
		JMC Robotic Ice Palletizing Systems	55
BUILDINGS			
Patkol Block Ice Plant	13	PUMPS	
Steel Buildings	14	AMT Heavy Duty Straight Centrifugal Pumps	56
		G & L Goulds Pumps	57
COMPRESSORS			
Carlyle Compressors	15	REFRIGERATED BUILDINGS	
Mycom Compound Screw Compressors	16	Master-Bilt Warehouses	58
Mayekawa Compressors	17	Master-Bilt Walk-in Coolers and Freezers	59
Copeland Small HP Compressors	17		
Vilter VMC Reciprocating Compressors	18	REFRIGERATION SYSTEMS	
		Kramer	59
CONVEYORS		Master-Bilt Systems	60
Hytrol Horizontal Belt	19	Vilter Refrigeration Systems	61
Industrial Conveyor Fabrication	20		
Matthiesen Belt Conveyors	20	REFRIGERATED TRANSPORTERS & TRAILERS	
Matthiesen Bucket Elevator	20	Ice Buddy Transport Trailers & Refrigerated Transports	62
Martin Custom Screw Conveyors	21		
Matthiesen Screw Conveyor Systems	21	ROTATING TABLE	
		Matthiesen	62
COOLING TOWERS/CONDENSERS			
Amcot Fiberglass Cooling Tower	22	STRETCH WRAP MACHINES /SNOW REMOVAL	
Marley Water Cooling Towers	23	Defender LP Low Profile Wrapping Machine	63
Amcot Silver Series TS Fiberglass	24	Mattheisen Shaker	63
PATKOL Evaporative Condenser	25	Matthiesen Rotary Snow Removal	63
PATKOL Hybrid Evaporative Condenser	25		
		SUPPLY VALVES	
DESIGNS OF ICE PLANTS		Wire, Ties	64
Design/Building/Engineering	26	Danfoss	64
		Jefferson Valves	64
DOORS			
Frank Door Company	28	WATER CHILLER/WATER TREATMENT	
		Patkol Riple Plate Chiller	65
ICE CRUSHERS		Water Improvement Systems	65
Matthiesen 9" & 12" Mini Crushers	29	Goldenrod	66
Matthiesen Model 250 Crusher	29		
Matthiesen Model 550 Crusher	29	PARTS	
		Amcot Cooling Tower	67
ICE MACHINES		Hamer	69
PATKOL Tube Machine Model PK-10A	30	Merchandiser	82
PATKOL Máquina de tubo cilíndrico para hielo	31	Mycom	85
PATKOL Tube Machine Model PKU-10FU/PK-15FU	32	Turbo & Vogt	86
PATKOL Máquina de tubo cilíndrico para hielo	33	Block Presses	87
PATKOL Plate Ice Maker	34	CB Hydraulic & Auto Rakes	88
Turbo C-Line (Used or Refurbished)	35	TIG & TIGAR Piping Assembly	90
Turbo D-Line (Used or Refurbished)	36	Turbo Miscellaneous	91
Turbo TIG and TIGAR (Used or Refurbished)	37		
Vogt Tube Ice Makers (Used or Refurbished)	38		
North Star Flake	43		





Dear Customer,

We invite you to take a moment and browse through our new updated catalog. We have included a variety of products and equipment to meet your specific needs. We sincerely hope, within these pages, you will find what you are looking for. However, if you don't, just call us. We will provide the appropriate assistance because assisting you, and locating the desired equipment, is a key component of our customer service and is the main factor in our ongoing and return business.

This company's primary focus is providing "Excellence" in customer service. Our customers can expect reliability, exceptional service, and commitment to the products and equipment we sell.

We thank our customers for making our company a success, and we genuinely look forward to establishing new customer friendships. As always, we welcome the opportunity to continue to meet all our customers' ice equipment needs.

Ralph Sanchez
President



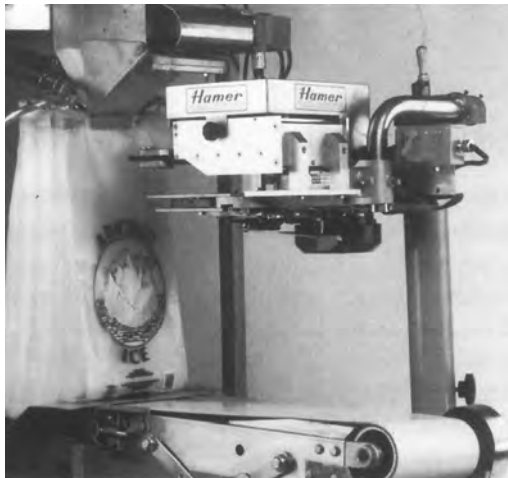


Hamer 125 Manual Bag Closer

The model 125 is a compact, heavy-duty machine that gathers and ties from 1 to 25 lb. open-mouth poly, poly-mesh or net bags. Stand mount easily adjusts from 22” to 40”. Also available with conveyor or setup for automated packaging systems. 1/4 HP motor, 115 volt (230-volt optional).

STANDARD FEATURES

- Closes up to 75 bags per minute
- Uses 16, 17, or 18 gauge wire
- Wire ring seal is tamperproof
- Sealed main roller bearings
- Available in right and left-hand feed models
- Designed for easy maintenance and wire loading
- Keyed, no-adjust wire feed rollers
- Engineered and constructed to stand up under continuous production
- Solid, self-aligning, double-ended clincher
- Safe, fully-enclosed operation



Hamer 125 with Automatic Take-off

This is an economical way to improve closer speed, consistency and efficiency. This recent addition to the Hamer line automatically codes bags and feeds them into the bag closer.

STANDARD FEATURES

- Belt drive for positive and reliable operation
- Codes up to 60 bags per minute
- Can be retrofitted to any 125 bag closer
- Incorporates an “empty bag” detection system





BAG CLOSERS

Hamer Ring Closer

Handles 10 lb. to 75 lb. bags at speeds to 45 bags per minute, depending on bag size. Head and conveyor are easily raised or lowered for various bag sizes. Head swings up for easy access. Engineered and ruggedly constructed for trouble-free, stop-and-go production without costly maintenance; just oil once a day. 3/4 HP motor, 115 volt (230-volt is optional). Uses 13-15 gauge, galvanized wire in 50 lb. coils.



JMC FuseAire 4 Heat Sealer

A hot air poly bag closer well suited to the sealing of both product bags and bale bags for a closed package without the use of foreign closure material.

STANDARD FEATURES

- Stainless steel head
- Cost efficient V-belt bag guide transport (spring-loaded, self-adjusting tension)
- Continuous sealing
- Automatic shut-off for accidental jamming
- Variable temperature, speed and air flow
- Adjustable height to suit product bag
- Casters for mobility
- Quick release mechanism for tool free access





ICE MAX Model BL510 Volumetric Bagger

Ice Max is manufactured by Southeast Cooler Corp. These baggers offer quality, value and convenience of operation.

STANDARD FEATURES

- Stainless Steel construction (galvanized available)
- Bottom load with incline screw
- 30" from hopper to floor
- 24" x 19" bottom hopper
- Adjustable from 5 to 10 lbs. per drop
- Adjustable Speed - from 20 to 45 bags per minute
- 96" long x 32" wide x 74" high (includes casters)
- Standard electrical is 115/1/60 (other electrical available)
- 50 hertz optional
- 30 Amps at 115/1/60





Matthiesen BF-150

A non-volumetric solution to bagging ice. This bagger feeds ice as long as the operator activates the foot control. Great for bulk applications.

STANDARD FEATURES

- Galvanized construction (Stainless available)
- Bottom load with incline screw
- 30" hopper height
- 60 RPM screw speed
- Separate blower switch to blow open bags
- Foot pedal control for bag filling
- Hold from 3 to 50 lb. bags
- 500 lb. per minute ice delivery rate
- Bottom hopper agitator
- 72" long x 30" wide x 67" high
- 3/4 HP motor, 20 amp at 115/1/60
- 50 hertz optional
- Weight: 650 lbs. uncrated



VL Bagger

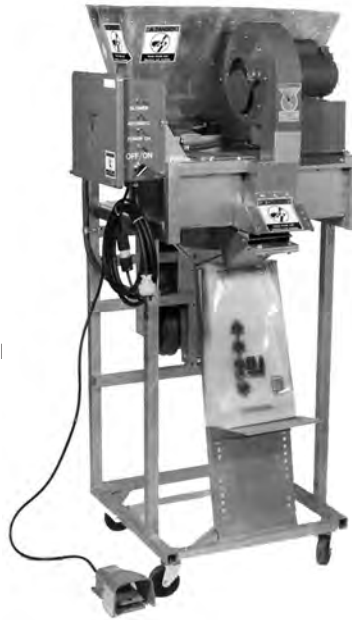
Matthiesen VL Series Baggers

(Available models: VL35, VL510, VL815, VL2025)

A simple volumetric bagger, 115 volt, 590 lbs.

STANDARD FEATURES

- Galvanized construction (Stainless inner and outer drum, downspout and bag opener)
- All Stainless steel construction available
- Adjustable speed: 20 to 47 bags per minute
- All motors are totally enclosed, fan cooled
- Continuous feed models available



VLS Bagger

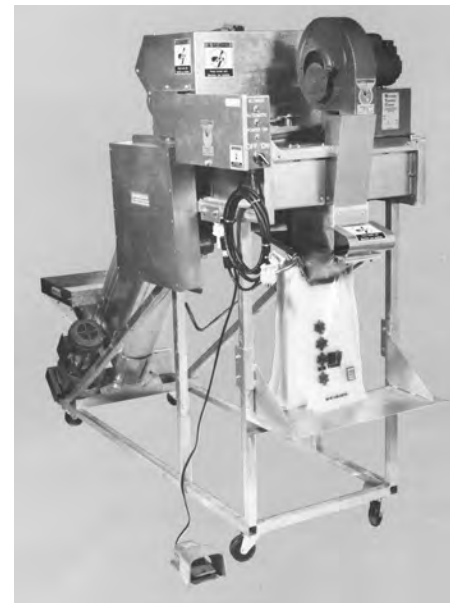
Matthiesen VLS Series Baggers

(Available models: VLS35, VLS510, VLS815, VLS2025)

A simple volumetric bagger with incline feed screw, 115 volt, 850 lbs.

STANDARD FEATURES

- Same construction and features as VL baggers
- Can be equipped with a spill return screw





Matthiesen HSB 510

Bagging, Sealing and Stacking is a one man job with this fully automatic unit.

CAPACITIES (EXAMPLES)

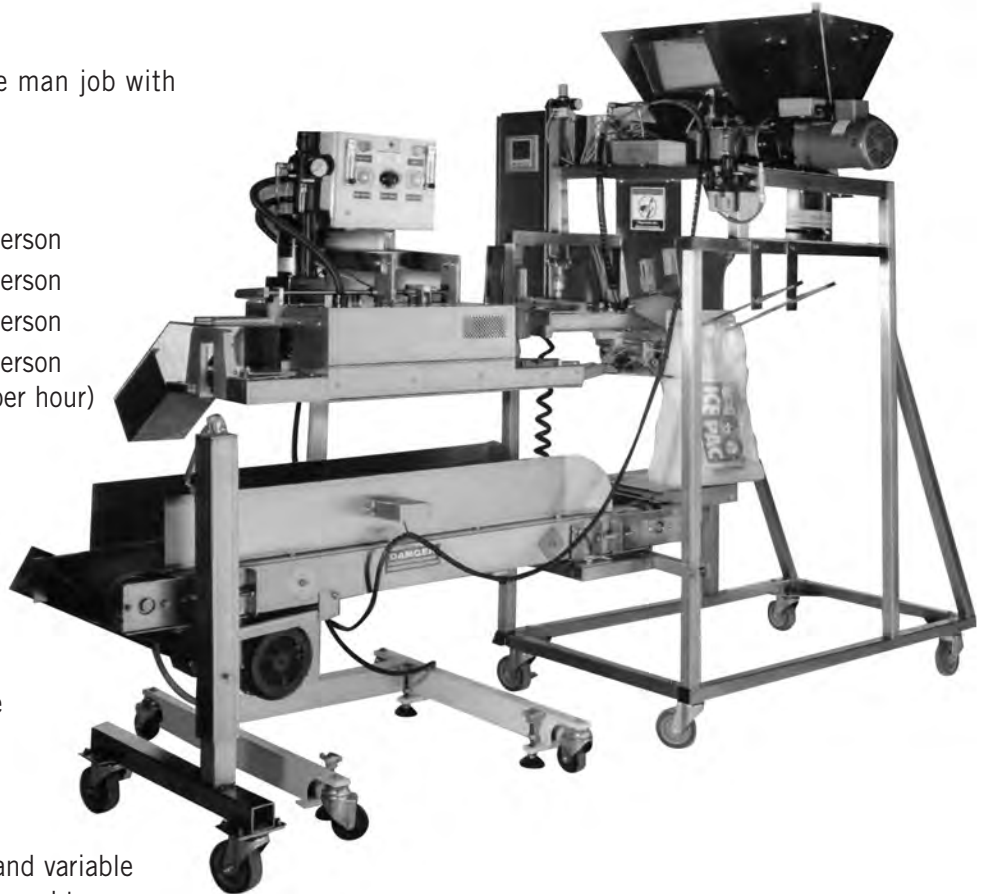
- 7# Bag 5 tons per hour 1 person
- 10# Bag 7 tons per hour 1 person
- 20# Bag 10 tons per hour 1 person
- 25# Bag 9 tons per hour 1 person
(815 Model = 13 tons per hour)

STANDARD FEATURES

- Stainless inner and outer drum
- All ice contact points are either stainless steel or covered in FDA approved UHMW
- Adjustable speed 10-25 bags/minute
- Continuous feed reverse wicket device
- Volumetric filler
- Totally enclosed fan cooled motors
- UL certified control panel
- Control panel - includes bag counter and variable speed control for matching conveyor speed to takeoff speed
- Slapper and Wiggler
- Air regulator/dryer/lubricator
- Low level ice detector and high level signal
- Lexan viewing window
- Completely adjustable for quick bag change
- Fully automatic
- Automatic bag opener (vacuum cups)
- Variable speed control
- 5" Casters for mobility w/locks
- Poly lined hopper upper and lower hopper
- Remote "Stop/Start" Station

OPTIONS

- Washdown motors
- Air compressor
- NSF available (HBS 510 only)
- Cold room package



SPECIFICATIONS

	HSB 510 (Top Load)	HSB 510S (Bottom Load)
Length	109"	148"
Width	42"	42"
Height	80"	80"
Weight	1130	1330
Hopper to floor	80"	30"
Electrical	240/1/60	240/1/60
Amp Draw	22 amp draw, no other electrical available	
Air Requirement	8 CFM @ 90 PSI	

Also comes in 815 Model (3" increase in height)

BAG SPECIFICATIONS

- 3/4" wicket holes with 1/4" land area with 1/8" slit at top of bag. 1-1/2" crimped lip. 6" reverse wickets. Bottom gusset.





Model 540

Now you can enjoy all the benefits of automation, and have heat-sealed bags, without sacrificing production speed or increasing machine complexity. Models 535 and 540 incorporate proven proprietary technology including a unique, simplistic approach to hot air sealing. Heat-seal closed bags, being smaller, reduce packaging material and allow more bags per truck and merchandiser. With hot air sealing, there's no moving parts to wear or consumables, like Teflon® tape, to purchase. The 535 and 540 come with these additional options (not available on other models).

STANDARD FEATURES

- Fast 40+ bags per minute
- Tamperproof bags
- Reduced film usage
- Automatic bag venting
- 304 stainless steel construction
- Simple operator controls and conveyor adjustments
- Faster speeds mean up to 20% greater same line production
- Hand-held remote control speeds setup and change-over times

OPTIONS

- Date Coder
- Bottom Gusseter
- Bag Top Trimmer
- Handle Former

SPECIFICATIONS

- 40 plus bags per minute
- Microprocessor based controllers
- Industrial sealed operator switches
- Size: L 14' 6", W 2' 11", H 4' 3"
- UL Approved
- Installation Requirements:
 - Air: 30 cfm@ 80 psi
 - Electric: 2 ea 220 volt, single phase
 - 60 Hz/40 FLA
- Bag Sizes:
 - Width 11" to 18"
 - Length 14" to 35"
- Poly film: 1.75 mil minimum

Heat sealed bags reduce bag cost, increase display space and provide a safe "tamperproof" package. Increase your packaged bag revenue by adding convenience features. Consumers prefer the optional carrying handles, increasing per stop purchases.





Hamer Automatic Form, Fill and Seal Ice Bagging Systems

(Available models: 310, 525, 540, 1550)

A fully automated packaging system that forms, fills and seals 40 plus bags of ice per minute with the utmost reliability and minimum maintenance. These advanced packaging systems form bags from economical, continuous roll stock film, fills and seals them accurately at rates up to 18,000 bags per 8 hour shift. Its versatility in handling various bag sizes and film thicknesses is unmatched. Bags can be automatically date/shift coded. An optional bottom gusseter is available, (see page 8). 230 volt, 5 to 30 cfm @ 80 psi.

COMPARE THESE FEATURES

- Labor saving and increased productivity (usually a one year investment payback)
- Bag cost savings of up to 20%
- Stainless steel construction
- Horizontal, compact design
- Choice of heat seal or tamperproof wire closures
- Automatic imprinting for date/shift code (optional)
- Design eliminates product spills and wasted bags
- Remote control unit on selected models for convenience
- Easily adjustable conveyor
- Microprocessor controlled systems and operations

Model	Capacity	Overall Dimensions (W L H)	Weight
310	3 to 10 lb. bags	36" x 118" x 72.5" to 86"	830 lbs.
525	5 to 25 lb. bags	35" x 147" x 79.5" to 93"	1,250 lbs.
540	5 to 40 lb. bags	35" x 175" x 84.25" to 93.25"	1,600 lbs.
1550	15 to 50 lb. bags	36" x 140" x 89" to 103"	1,500 lbs.



Hamer Ice Bag Gusset Former

An easy and economical way to add a "stand-up" gusset to your Hamer Form, Fill and Seal machines. With a gusset, ice bags are easier to handle and stack during production, and a gusset eliminates the sharp corner that can be damaged during handling. It also provides an additional space for your advertising message.

STANDARD FEATURES

- Stainless steel construction
- Gusset depth from 1.75" to 5"
- Few moving parts; simple to adjust
- Still uses roll stock
- Minimum additional floor space required
- No electricity or air required





JMC Automatic Bulk Ice Bagger

(Available models: BB 1600, BB 1700)

An automatic wicketed bagger that is designed to open the master bag to receive ice from the volumetric feeder and then automatically present the upright bag into a closing station. Options: FuseAire 4 Hot Air Sealer and bag kicker to accommodate a palletizer and mobility kit. 230 volt, 4 cfm @ 80 psi.

STANDARD FEATURES

- Programmable logic controller (P.L.C.)
- Adjustable bag wicket and conveyor height
- Bag inflation system
- Bale pusher with bag transport grippers
- Take-away conveyor
- Stainless steel panels and contact parts
- Bagging speed touch screen selectable
- Bag sensing system; no bag-no dump
- Volumetric feeder



Matthiesen Magic Finger System

This simple solution to automation is a creative way to lower operating costs and raise the productivity of your packaging line personnel. The Magic Finger System is shipped with step-by-step instructions for easy installation and start-up. Fills 5 to 10 lb. bags on 5", 6" or 7" wickets. 115 volt.

STANDARD FEATURES

- Small footprint, 62" long x 44" wide x 80" high
- Simple, economical operation
- Magic finger takeoff
- Hamer 125 mount
- Poly-lined hopper with Plexiglas window
- Belt conveyor
- Variable speed controls
- Sure-fall ice drop system
- Proximity switches to operate ice feed screw and detect low hopper fill
- Weight 985 lbs.





JMC Automatic Master Baler

(Available models: IB 1007, IB 1008, IB 1009, IB 1010)

Automatic master baling of various types of flexible pre-packaged ice products. Up to 10 master bags per minute. Accommodates ice bags with a common width and adjustable length. Accepts product from all types of manual and automated packaging lines. Counts and accumulates ice bags to be discharged into a master poly bag and then automatically presents the bag upright on a conveyor into a closing system. 230 volt, 4 cfm @ 80psi.

STANDARD FEATURES

- Programmable logic controller (P.L.C.)
- Four standard fixed-width magazine sizes
- Adjustable lengths from 12" to 17"
- Bag inflation system
- Incline and accelerator conveyor
- Infeed mechanism
- Bale pusher with bag transport grippers
- Take-away conveyor
- Stainless steel panels and product contact surfaces





BLOCK MAKER/BLOCK PRESS

Clinebell Carving Block Maker

(Model CB300X2 Series)

- Produces a Crystal Clear block of ice for sculptures. A pleasure for the carver to work with and a delightful product for your customer.
- Blocks of ice are frozen in a plastic liner and then placed inside a cardboard box for storage and handling.
- Each unit will produce two blocks of ice every 3-4 days. The recommended ambient temperature for maximum productivity is 72 degrees F. (Cold temperatures can cause cracking in the blocks and much warmer temperatures may slow the freezing cycle).
- A pump circulates the water to keep impurities from freezing into the block of ice. Excess water and impurities are removed from the top of the block prior to harvesting by use of a common wet and dry vacuum.
- Proper placement of the pump is critical to the clarity of the ice. Each day of the freezing cycle the position of the pump must be changed for continued ice clarity

Vogt Manual Block Press

(Model MB P-10)

Now you can produce block ice in limited quantities without a large capital expense. The Vogt Manual Block Press is a compact, self-contained press for the manufacture of ice blocks from frozen particles. 230 volt.

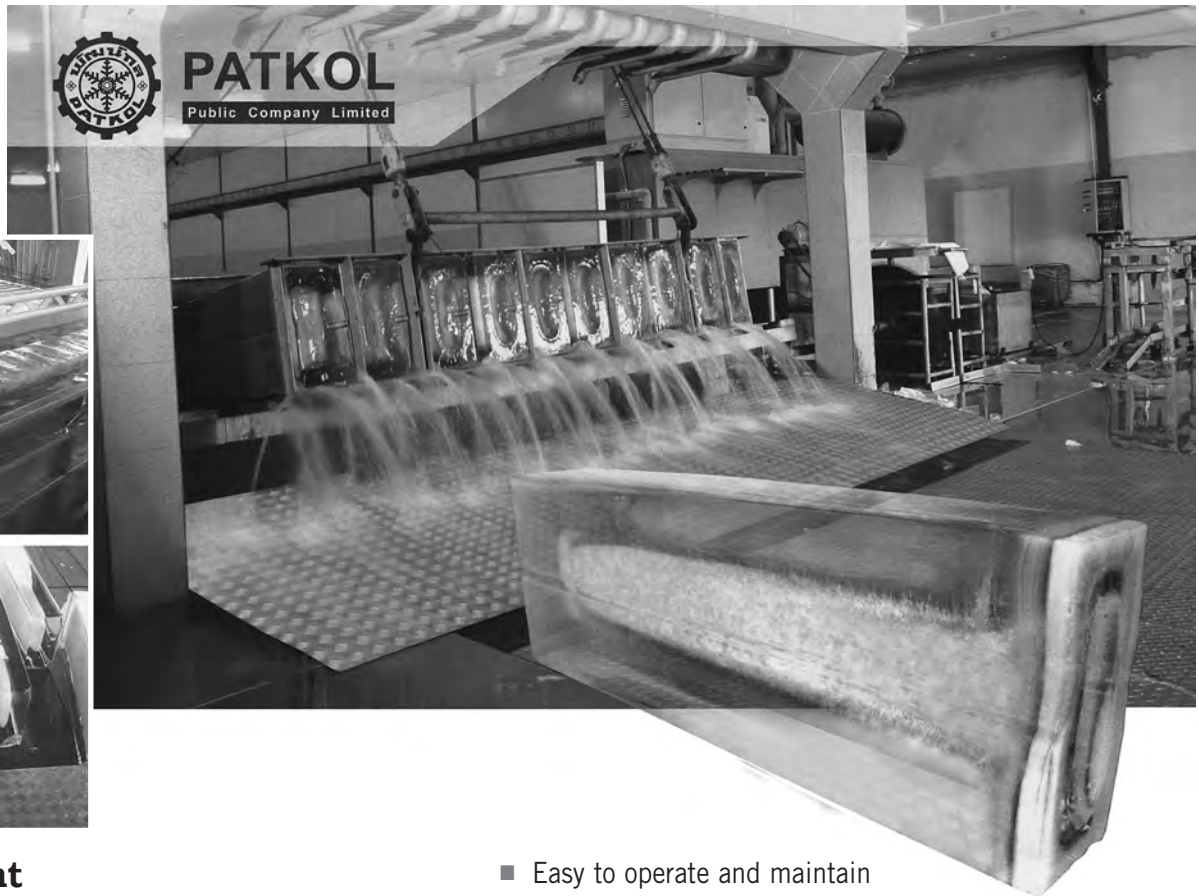
STANDARD FEATURES

- Easy, quick latch design on lid
- Ice chamber is fully nickel-plated
- All exposed bolts are stainless steel
- Industrial-quality hydraulics

STANDARD FEATURES

- Cabinet dimensions: 48-1/2"W x 51-1/4"D x 42"H
- Cabinet weight with condensing unit: 590 lbs.
- Cabinet without condensing unit: 520 lbs.
- Cabinet is constructed of galvanized steel.
- Circulating pump: 115V/1/60
- Finished block size: 10" x 20" x 40"
- Each chamber holds 40 gallons of water





Block Ice Plant

High efficiency and user friendly design

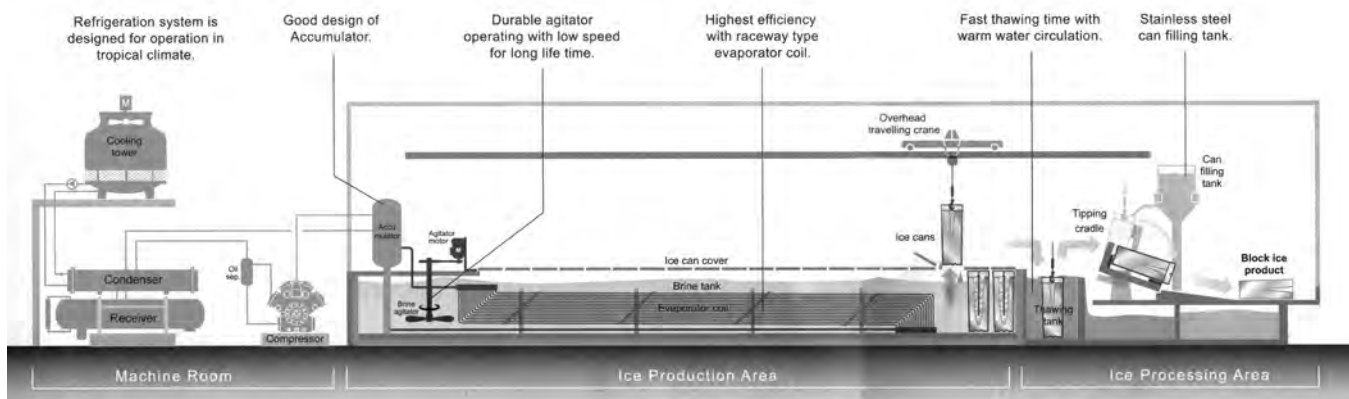
STANDARD FEATURES

- Capacity from 10-240 tons/day
- Ice can sizes: 25, 50, 150, 165 kfs
- Pressure vessel is designed and manufactured according to ASME standards
- High efficiency refrigeration system, low energy consumption and environmental friendly

- Easy to operate and maintain
- Ammonia refrigerant
- Plastic ice can cover

OPTIONS

- Customized capacity according to customer's requirements
- Stand-by overhead crane
- Stainless steel ice crusher
- Available ASME U stamp for pressure vessel certificate





BUILDINGS



Steel Buildings

Metal buildings account for more than 68% of all low-rise structures up to 150,000 square feet. These buildings cost less because in-plant technology and production reduce on-site labor. There are limitless possibilities for creativity, beauty and variety in designing a building. We use only members of the Metal Building Manufacturers Association.

STANDARD FEATURES

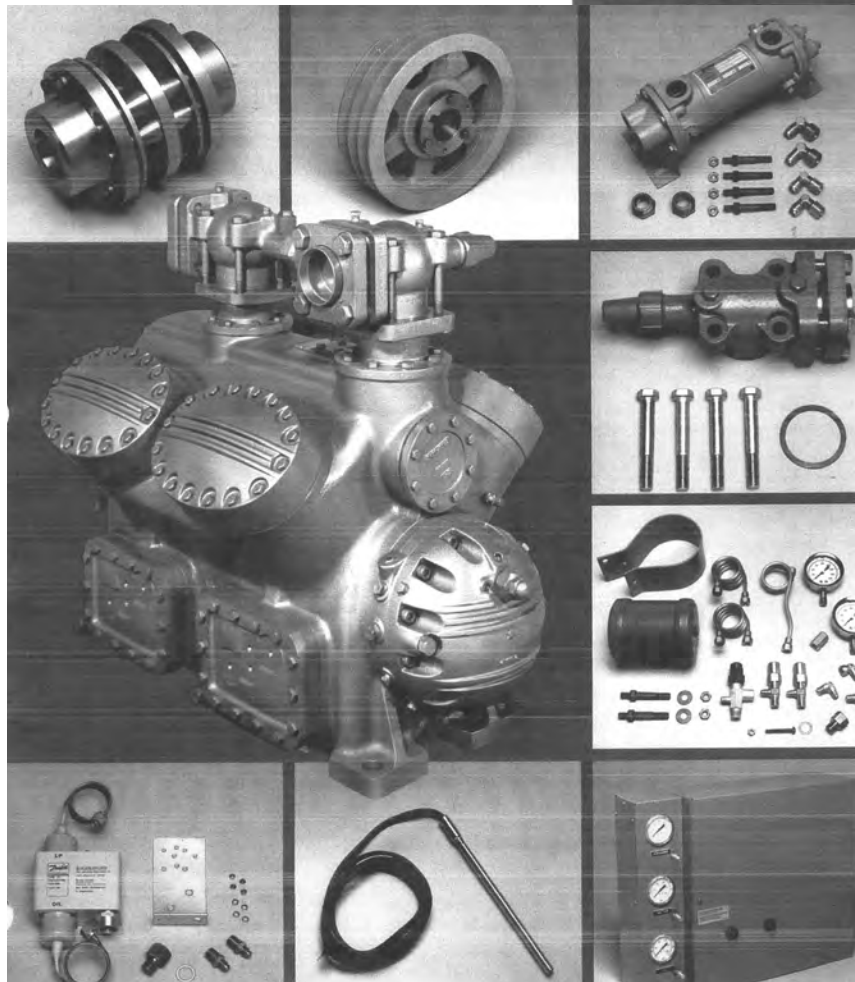
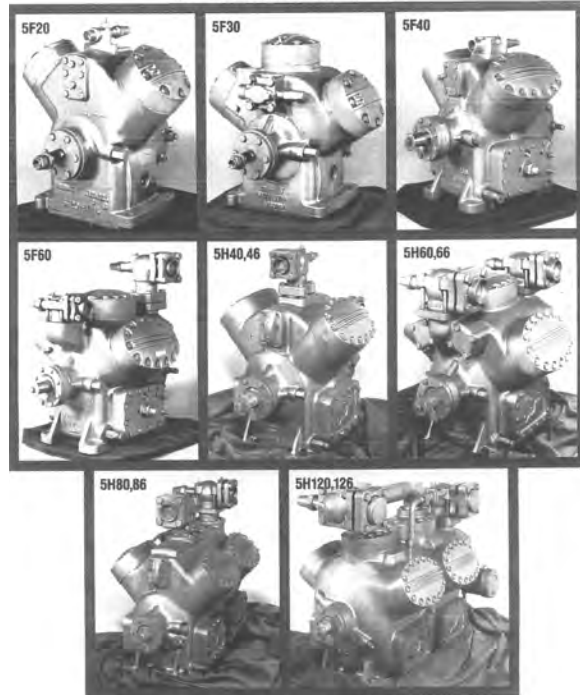
- Reasonable initial cost
- Faster occupancy
- Attractive appearance
- Lower energy bills
- Reduced maintenance
- Flexibility to enlarge at any time





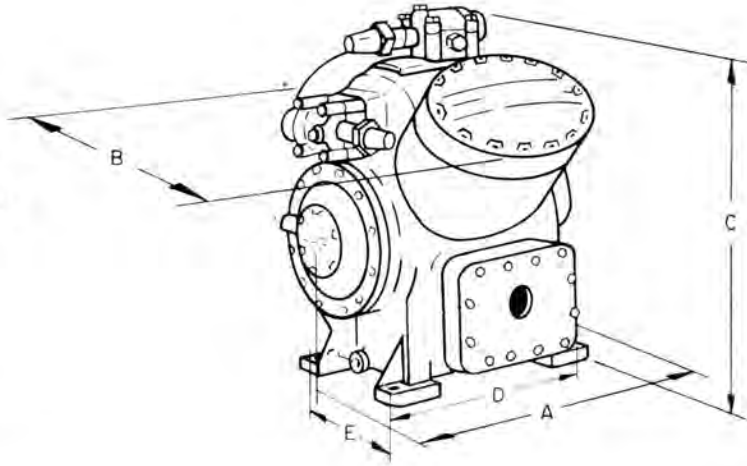
Carlyle Compressors

Carlyle builds the most reliable compressors. The 5F/H open-drive compressors are workhorses when it comes to industrial processes, low temperature food storage and many other industrial applications. These competitively priced compressors are field repairable, and are compatible with the modern refrigerants used today including R-22, R-134a, R-404A and R-507. The flexibility of the 5F/H permits a choice of motors, either belt or direct drive, to match refrigerant and job requirements. Automatic unloaded starting makes the use of expensive high torque motors unnecessary. Part-load operation capability increases energy efficiency and lowers utility bills.





COMPRESSORS



APPLICATION DATA

MODEL NO.	NOMINAL HORSEPOWER			NO. OF CYL.	BORE (IN.)	STROKE (IN.)	CFM @ 1750 RPM	RATINGS IN TONS*			MIN. SPEED FOR UNLOADER OPERATION	OIL CHG. (PINTS)	SUCT. LINE ODF (IN.)	DISCH. LINE ODF (IN.)	COMP. WT. (LB.)
	R-12	R-22	R-502					R-12	R-22	R-502					
5F20	5	10	10	2	2 1/2	2	19.8	5.18	8.46	8.85	600	5	1 1/8	7/8	175
5F30	7 1/2	15	15	3	2 1/2	2	29.8	7.76	12.7	13.2	700	5 1/2	1 5/8	1 3/8	215
5F40	10	20	20	4	2 1/2	2	39.8	10.5	16.8	17.7	800	12	1 5/8	1 3/8	355
5F60	15	25	25	6	2 1/2	2	59.6	15.7	25.3	26.5	900	13	2 1/8	1 5/8	400
5H40	25	40	40	4	3 1/4	2 3/4	92.4	24.7	39.6	40.5	800	18	2 5/8	2 1/8	610
5H46	40	60	60	4	3 1/4	3 7/16	115.5	30.6	49.1	50.2	800	18	2 5/8	2 1/8	610
5H60	40	60	60	6	3 1/4	2 3/4	138.4	37.0	59.4	60.9	900	21	3 1/8	3 1/8	795
5H66	50	75	75	6	3 1/4	3 7/16	173.0	45.9	73.8	75.4	900	21	3 1/8	3 1/8	795
5H80	50	75	75	8	3 1/4	2 3/4	184.7	49.4	79.2	81.2	1100	41	3 1/8	3 1/8	1115
5H86	75	100	100	8	3 1/4	3 7/16	231.0	61.1	98.2	100.7	1100	41	3 1/8	3 1/8	1115
5H120	75	125	125	12	3 1/4	2 3/4	276.0	74.0	119.0	122.0	900	61	4 1/8	4 1/8	1580
5H126	100	150	150	12	3 1/4	3 7/16	346.0	91.8	145.0	151.2	900	61	4 1/8	4 1/8	1580

NOTE: For Typical Compressor to Drive Motor Combinations see page 11.

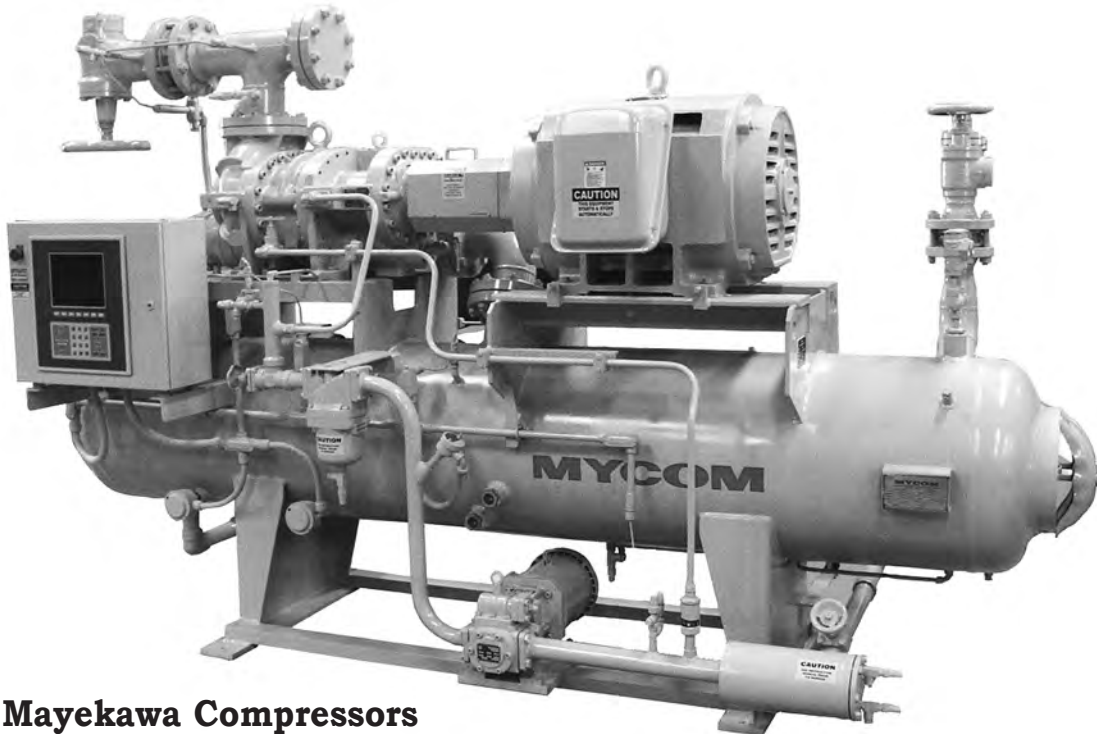
NOTES:

- * 40°F saturated suction, 105°F saturated discharge, 15°F superheat, 0°F subcooling
- 45 PSIG net oil pressure (oil pressure PSIG — suction pressure PSIG)
- ODF = Outside Diameter Female (in.)
- Maximum RPM = 1750
- Minimum RPM for lubrication = 400 RPM

COMPRESSOR DIMENSIONS

COMPRESSOR		5F				5H				5H			
		20	30	40	60	40	60	80	120	46	66	86	126
DIMENSIONS (in.)	A	15 7/8	18	21 1/2	23 1/2	30 1/2	31 1/2	43 7/8	47	30 1/2	31 1/2	43 7/8	47
	B	18 3/4	20 7/8	19	21	24 1/2	27 1/4	24 1/2	27 3/8	24 1/2	27 1/4	24 1/2	27 3/8
	C	18 3/4	18	20 1/8	24 1/2	29	29 7/8	32	34 7/8	29	29 7/8	32	34 7/8
	D	5 3/4	5 3/4	12	13 7/16	15 1/2	17	29	29	15 1/2	17	29	29
Between Mgt. hole ⌀	E	10	10	8	8	11	11	11	11	11	11	11	11





Mayekawa Compressors

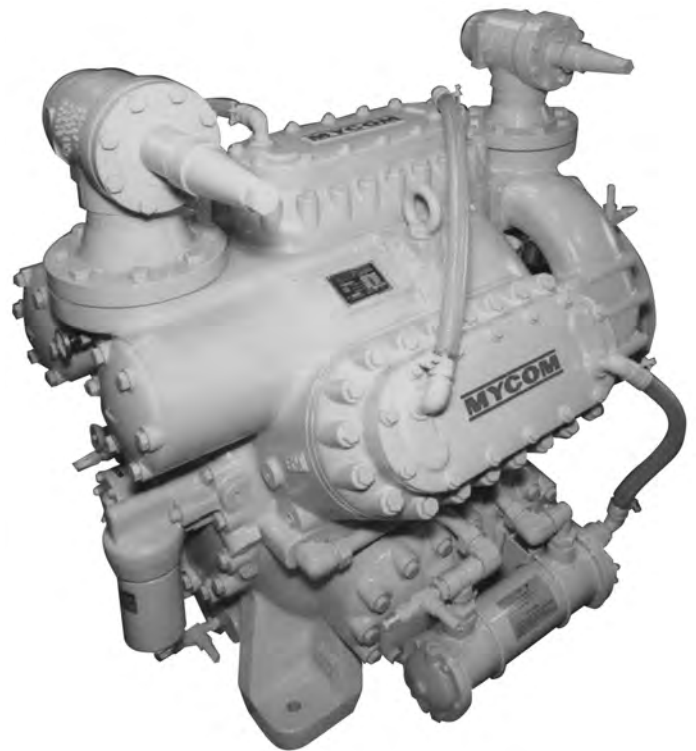
A revolution in efficiency. With the power of Mayekawa's research and development department, the M-Series was created to combat current soaring energy costs with the ability to reduce Kw consumption, while still providing the Tonnage required. The M-Series will definitely prove to be the most efficient reciprocating compressor in the global market place.

With efficiencies up to 20% better than reciprocating compressors that are available in marketplace and up to 30% better than mini screw compressors, the M-Series has the power to reduce bottom line operating costs.

Increase the performance of your refrigeration facility by capturing the heat of compression generated by the M-Series compressor (greater than that of a screw compressor) to substantially improve the energy efficiency of any refrigeration system.

STANDARD FEATURES

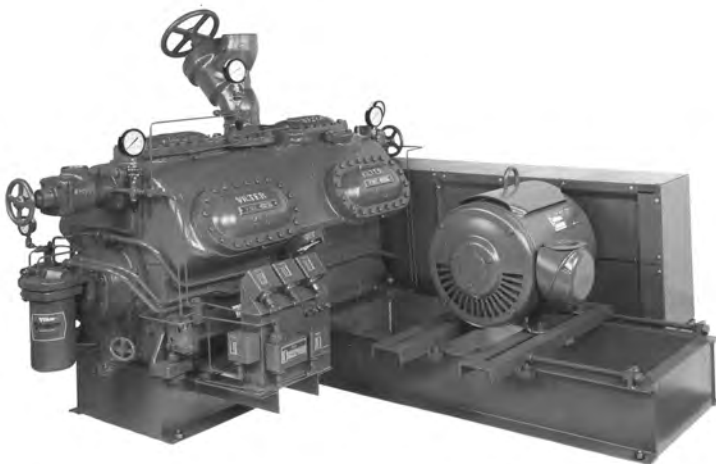
- Greater efficiency with a screw capacity range
- Less BHP per ton
- Compact in design
- Precision design effortless overhaul
- 50% - 60% increase in run times between overhauls





COMPRESSORS

Copeland Small HP Compressors



Vilter VMC Reciprocating Compressors

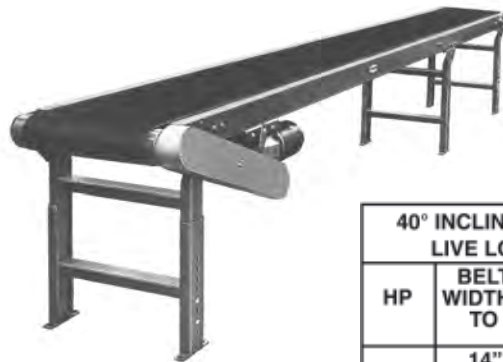
With a history that dates more than 130 years, Vilter is the name to rely on for dependable, high-performance refrigeration. Vilter products include a complete line of compressors, heat exchangers and related equipment to solve any refrigeration need. Vilter equipment is used throughout the world.





Hytrol Horizontal Belt, Incline and Portable Conveyors

Over the years, the name Hytrol has become synonymous with quality conveying systems. Hytrol makes over 70 powered conveyor models, a complete line of gravity conveyors and many types of conveyor accessories. The model TA horizontal can be used in most situations. The model C incline belt handles bags, boxes and cartons. It may be set at any angle from horizontal to 45 degrees for various uses, including floor-to-floor conveying. The portable model BA's one-lever control adjusts angle without effort. A powered screw locks in the desired angle.



STANDARD FEATURES

- Easy setup to save installation time
- Adjustable floor supports
- Many widths and load capacities
- Wide choice of belt styles
- Very customizable
- Bed section folds (portable conveyors)

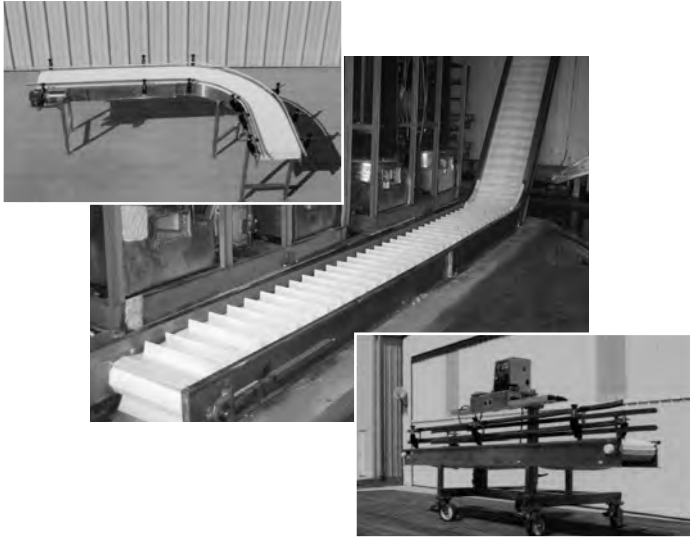
40° INCLINED SLIDER BED CONVEYOR LIVE LOAD CAPACITY @ 65 FPM				
HP	BELT WIDTHS TO	LENGTHS UP TO		
		20'	30'	46'
DISTRIBUTED LOAD (LBS.)				
3/4	14"	180	175	165
	18"	175	170	155
	24"	170	155	140
1	14"	250	240	230
	18"	245	235	220
	24"	240	225	205
1 1/2	14"	385	375	365
	18"	380	370	355
	24"	375	360	340
2	14"	520	515	500
	18"	515	505	490
	24"	510	495	475

LOAD CAPACITY CHART HORIZONTAL SLIDER BED CONVEYOR @ 65 FPM W/STANDARD BELT								
HP	BELT WIDTHS TO	LENGTHS UP TO						
		4" Dia Drive Pulley					8" Dia Drive Pulley	
		11'	21'	31'	41'	51'	77'	102'
DISTRIBUTED LOAD (LBS.)								
1/2	16"	335	320	310	300	285	260	230
	24"	320	300	285	270	255	210	170
	30"	300	275	255	235	215	165	115
3/4	16"	515	505	495	480	470	440	415
	24"	500	485	470	455	435	395	355
	30"	485	460	440	420	400	350	300
1	16"	650	635	625	615	605	625	595
	24"	635	620	600	585	570	580	540
	30"	620	595	575	550	530	535	480





CONVEYORS



Industrial Conveyor Fabrication

Industrial Conveyor & Fabrication, Inc. specializes in the design and fabrication of custom conveying equipment. With a total of over 50 years combined experience, they have designed and built many conveyor systems for the food, and non-food industries.

Matthiesen Belt Conveyor

A very rugged 10"-wide by any length belt that is ideal for moving ice bags. Can be inclined and side walls are available.

STANDARD FEATURES

- Galvanized body construction (Stainless steel available)
- Adjustable from 12" to 40" from top of belt to floor
- Standard with casters (4" wheel)
- Belting is a brown, rough top with stainless lacing
- FDA-approved belting is available
- 3/4 HP up to 14 feet; 1 HP for longer belts
- 60-62 feet per minute standard
- 116/1/60 (50 HZ available), 4.6 amps



Matthiesen Bucket Elevators

This unit creates a new opportunity for plants with limited space and can replace a vertical screw. Compared to other conveyor systems, the bucket conveyor reduces product damage. All are custom made to meet your plant's specifications. These units require less HP to operate than screw conveyors.

STANDARD FEATURES

- All Stainless steel construction
- UHMW polyethylene bucket belt
- 24"-wide moves 7 tons per hour
- 36"-wide moves 13 tons per hour
- Wash-down motors and gear reducers
- Stainless ball bearings
- FDA approved materials





Martin Custom Screw Conveyors

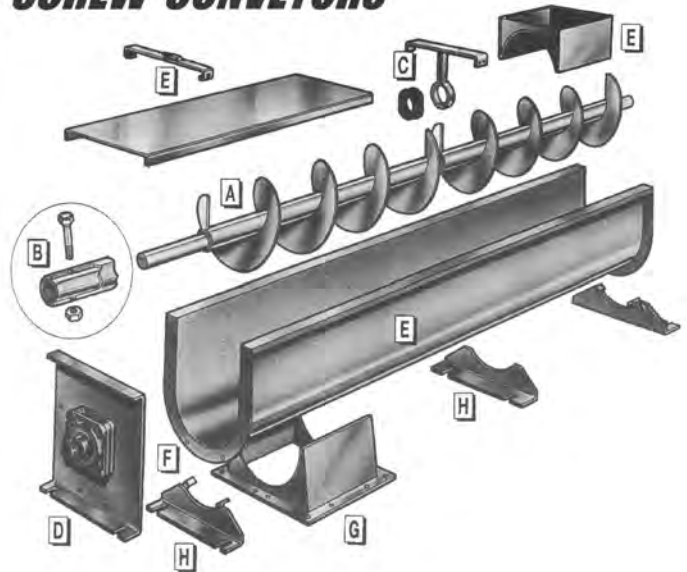
Stainless steel and galvanized steel conveyors are available for horizontal, incline, dewatering and snow removal applications. You'll get the right system to solve your unique situation while keeping costs at a minimum. Martin manufactures the most complete line of stock components in the industry. Standard sizes from 6" to 16".



Martin manufactures the most complete line of stock components in the industry. We stock stainless, galvanized and duct iron items that are special order with others in the industry.



SCREW CONVEYORS



- A. Conveyor Screw
- B. Jig Drilled Couplings
- C. Hangars and Bearings
- D. Trough Ends
- E. Troughs, Covers, Clamps and Shrouds
- F. Flange
- G. Feed and Discharge Spouts
- H. Supporting Feet and Saddles

Matthiesien Screw Conveyor Systems

These screws are designed to meet your requirements. The types available are horizontal, vertical, incline and portable in 6", 9", 12", 16" or larger diameters. Screw conveyors can be ordered either as complete units or by individual components. Complete units are assembled, pre-tested, marked and disassembled prior to shipment. Components-only orders must be sorted out and aligned during field assembly.

STANDARD FEATURES

- Galvanized construction (304 stainless, food-grade finish available)
- All joints have gaskets
- All UHMW is FDA approved
- Dodge drives are standard
- Completely customizable
- Flat, shroud, hinged and Plexiglas covers are available



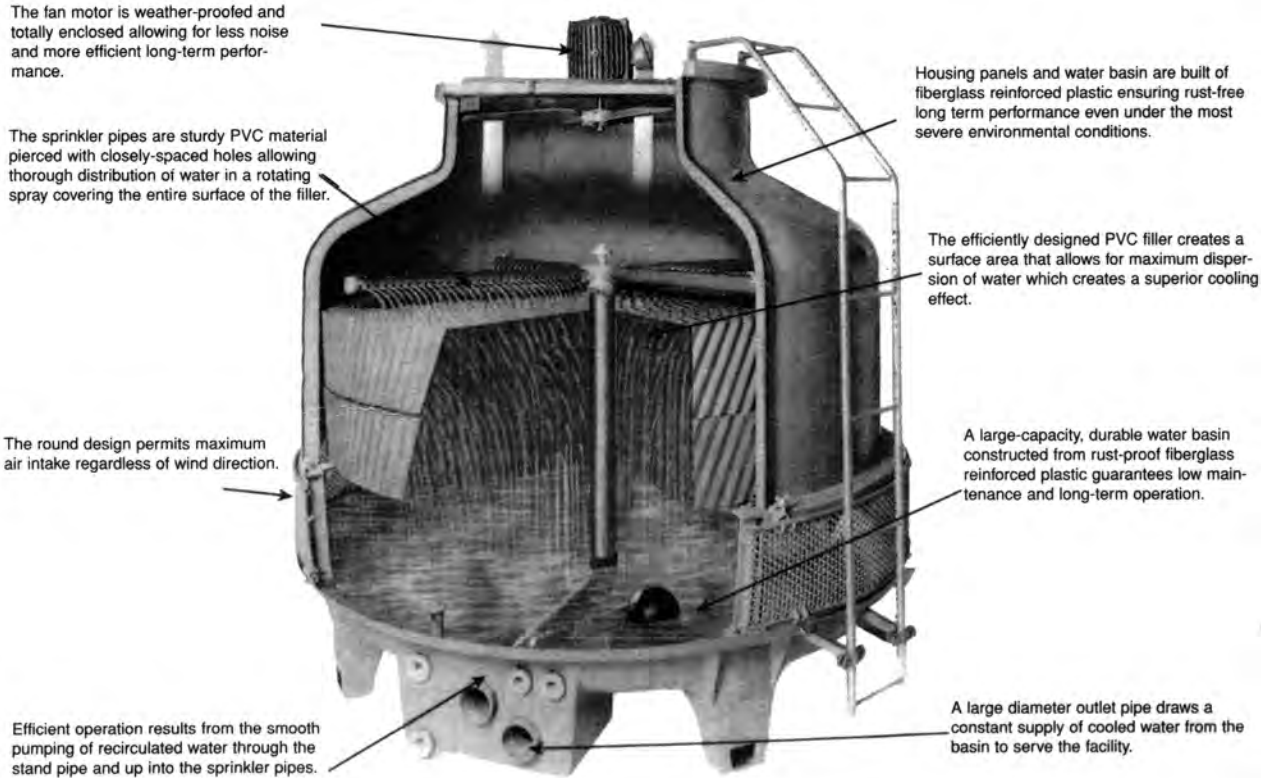


COOLING TOWERS

AMCOT Fiberglass Cooling Tower

Lightweight and compact, the AMCOT cooling tower provides quick and easy installation. Job site assembly is simplified by the modular design of all components. Easy access through casing simplifies cleaning.

Honeycomb heat embossed PVC is formed to permit high heat transfer efficiency. Individual fiberglass panels are stainless steel bolted together for periodic wash down and general cleanup. The AMCOT cooling tower is designed for durability and long life even under the most severe weather conditions.



SOUND PRESSURE LEVELS OF AMCOT COOLING TOWERS
LEVEL OF MEASUREMENT: db

NOTE: THE ACCURACY OF MEASURING VALUE IS ± 3 DECIBLES

REMARKS:

- POINT ① IS 45° EXTENSION OF FAN DISCHARGE.
- DISTANCE 'D':
 - (1) ST MODELS 125 & LOWER - 4' 11"
 - (2) ST MODELS 150 & ABOVE - FAN DIAMETER

TOWER MODEL	ST-3			ST-5			ST-8			ST-10			ST-15			ST-20			ST-25			ST-30			ST-40			ST-50			ST-60					
MEASURING PT.	1	2	3	1	2	3	1	2	3	1	2	3	1	2	3	1	2	3	1	2	3	1	2	3	1	2	3	1	2	3	1	2	3	1	2	3
SCALE	56	53	42	59	56	45	61	56	46	62	57	47	67	62	51	70	65	54	72	68	57	76	68	60	77	68	57	79	70	59	77	71	62			
TOWER MODEL	ST-70			ST-80			ST-100			ST-125			ST-150			ST-175			ST-200			ST-225			ST-250			ST-300			ST-350					
MEASURING PT.	1	2	3	1	2	3	1	2	3	1	2	3	1	2	3	1	2	3	1	2	3	1	2	3	1	2	3	1	2	3	1	2	3	1	2	3
SCALE	79	73	64	80	74	65	77	70	59	83	75	61	78	72	63	80	72	64	80	73	66	74	69	60	76	69	60	76	71	62	77	72	63			
TOWER MODEL	ST-400			ST-500			ST-600			ST-700			ST-800			ST-1000			ST-1250			ST-1500														
MEASURING PT.	1	2	3	1	2	3	1	2	3	1	2	3	1	2	3	1	2	3	1	2	3	1	2	3	1	2	3	1	2	3						
SCALE	80	75	66	80	75	66	78	73	64	79	74	65	79	74	65	80	75	66	84	78	71	86	80	73												



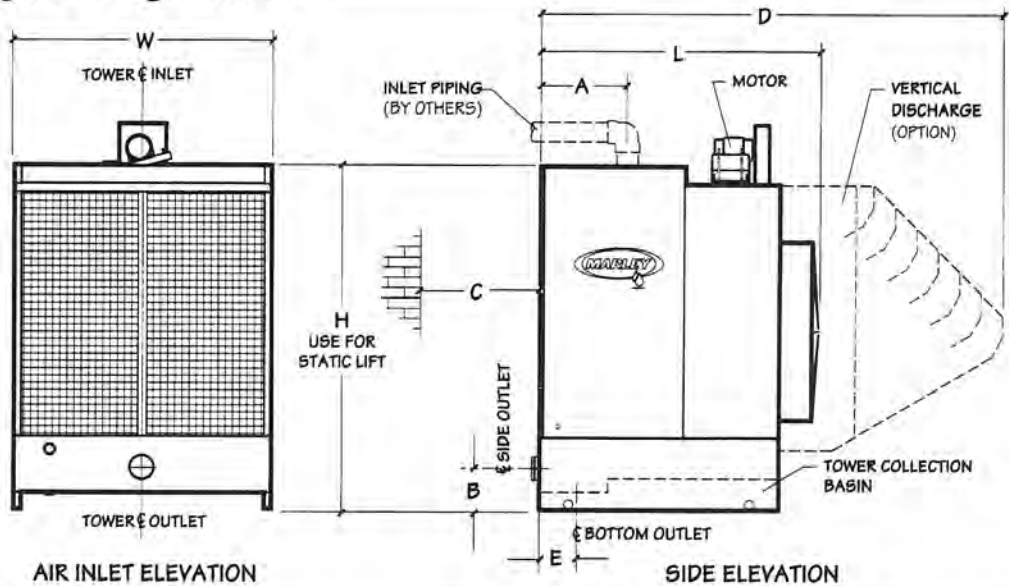
Marley Water Cooling Towers

Marley is a proven performer in the ice industry. Marley's induced draft design saves on fan power and helps avoid water leaks. Its cross flow gravity design saves on pump power. Marley towers also have built-in, weather tough corrosion protection plus integral draft eliminators and louvers. Models from 10 to 175 ton capacity. Available in fiberglass.

ALL SIZES AND MODELS ARE AVAILABLE



Engineering Data



Tower Model	Nominal Tons (1)	Dimensions								Fan Dia.	Motor HP	Piping Connections	
		W	L	H	A	B	C (2)	D	E			Inlet	Outlet(6)
4811	10	2'-11 1/2"	4'-1 3/4"	4'-3 7/8"	1'-3 13/16"	6 7/8"	2'-0"			(6)	1/3	2"	2" F
4812	15		1										
4821	20	3'-11 1/2"	4'-11 3/4"	6'-5"	1'-5"	9 1/2"	4'-0"	(3)	8"	36"	1	4"	4" M
4822	25										1		
4831	30		5'-0 5/8"			5'-0"	2						
4832	40		3										
4841	50	5'-11 1/2"	6'-5"	7'-10 5/8"	2'-0"	11 1/2"	6'-0"	10'-8"	9 1/4"	2	6"	6" MC	
4842	60									5			
4851	75	5'-11 1/2"	6'-5"	7'-10 5/8"	2'-0"	11 1/2"	7'-0"	10'-8"	9 1/4"	2	6"	6" MC	
4852	85									3			
4853	95	7'-11 1/2"	6'-5 1/4"	7'-10 5/8"	2'-0"	11 1/2"	7'-0"	10'-8"	9 1/4"	5	6"	6" MC	
4861	110									7 1/2			
4862	125	8'-11 1/2"	6'-5 5/8"	8'-6 3/4"	1'-11 3/16"	11 1/2"	8'-0"	10'-11 11/16"	9 1/4"	7 1/2	6"	6" MC	
4871	160									7 1/2			
4872	175									10			





COOLING TOWERS/CONDENSERS



AMCOT Silver Series TS Fiberglass Cooling Towers

The TS fiberglass cooling tower has a cylindrical, bottle-shaped design which minimizes the internal pressure drop. This design eliminates ineffective space in the cooling layers, resulting in excellent cooling efficiency. TS cooling towers are very cost efficient and much lighter than conventional metal cooling towers. Models from 3 to 1,000 nominal tons.

MODEL	Dimensions H x Dia (In)	Motor HP	FAN CFM	Pump Head	Water Flow
TS-3	48 x 27	1/6	953	3.9	9
TS-5	50 x 32	1/6	2,119	3.9	15
TS-8	57 x 33	1/6	2,648	3.9	24
TS-10	55 x 43	1/4	3,531	4.3	30
TS-15	60 x 43	1/2	4,943	4.6	45
TS-20	62 x 47	1/2	6,356	4.9	60
TS-25	67 x 55	3/4	7,062	5.2	75
TS-30	70 x 64	3/4	7,945	5.9	90
TS-40	70 x 71	1	9,887	5.9	120
TS-50	72 x 78	1	11,652	6.2	165
TS-60	78 x 78	1.5	14,830	6.2	180
TS-70	76 x 87	1.5	18,008	6.6	210
TS-80	80 x 87	1.5	19,421	6.6	255
TS-100	85 x 110	2	24,717	9.8	330

MODEL	Dimensions H x Dia (In)	Motor HP	FAN CFM	Pump Head	Water Flow
TS-125	89 x 122	3	29,307	9.8	375
TS-150	102 x 138	3	33,545	10.5	480
TS-175	106 x 138	3	40,607	10.5	540
TS-200	114 x 154	7.5	44,138	11.5	640
TS-225	114 x 154	7.5	61,793	11.5	690
TS-250	118 x 154	7.5	65,324	13.1	800
TS-300	120 x 184	10	77,682	13.1	975
TS-350	124 x 184	10	81,213	13.1	1,125
TS-400	159 x 211	15	91,806	16.4	1,350
TS-500	167 x 211	15	97,103	16.4	1,650
TS-600	175 x 260	20	132,413	18.0	2,000
TS-700	183 x 260	20	137,709	18.0	2,300
TS-800	205 x 291	25	176,550	19.7	2,650
TS-1000	211 x 291	25	183,612	19.7	3,000



Baltimore Aircoil Evaporative Condensers

BAC evaporative condensers provide energy savings over other condenser choices by requiring lower system horsepower than conventional air-cooled (up to 30% less) and water-cooled (up to 15% less) condensing systems. These systems are generally lower cost, lighter and require less space. Maintenance is simple and easy.

STANDARD FEATURES

- Broad range of unit capacities, from 10 to 1,774 tons
- Capacity control to match condenser to the load under varying conditions
- Low noise with directional capability
- Few moving parts
- Easy access to interior of unit
- Trouble-free water distribution



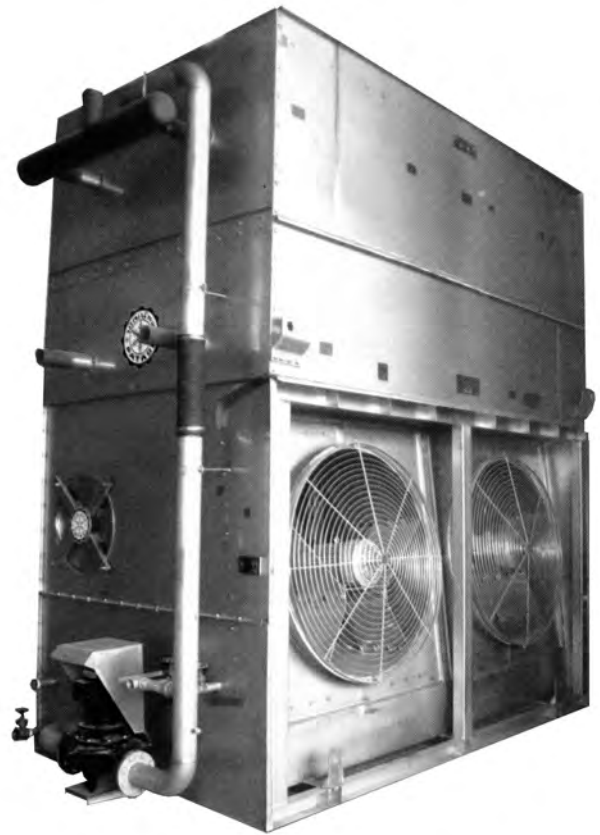


PATKOL Evaporating Condenser (ECX Series)

ECX Evaporative Condensers are specially designed for transport in 40 ft. closed container.

STANDARD FEATURES

- Stainless steel coils
- Utilized heavy duty coils to assure durability
- Ammonia and Fluorocarbon refrigerant application
- Yield high heat rejection
- Strong structure and easy maintenance
- Reliable quality and manufacturing



PATKOL Hybrid Evaporative Condenser

STANDARD FEATURES

- Direct drive axial flow fan
- Reinforced fiberglass casing
- Stainless steel coils
- Water sump designed to minimize volume of water for low operating weight
- All structions are in stainless steel
- Drift eliminator with special designed thermoformed PVC with UV protection
- Access Doors for easy servicing of spray nozzles

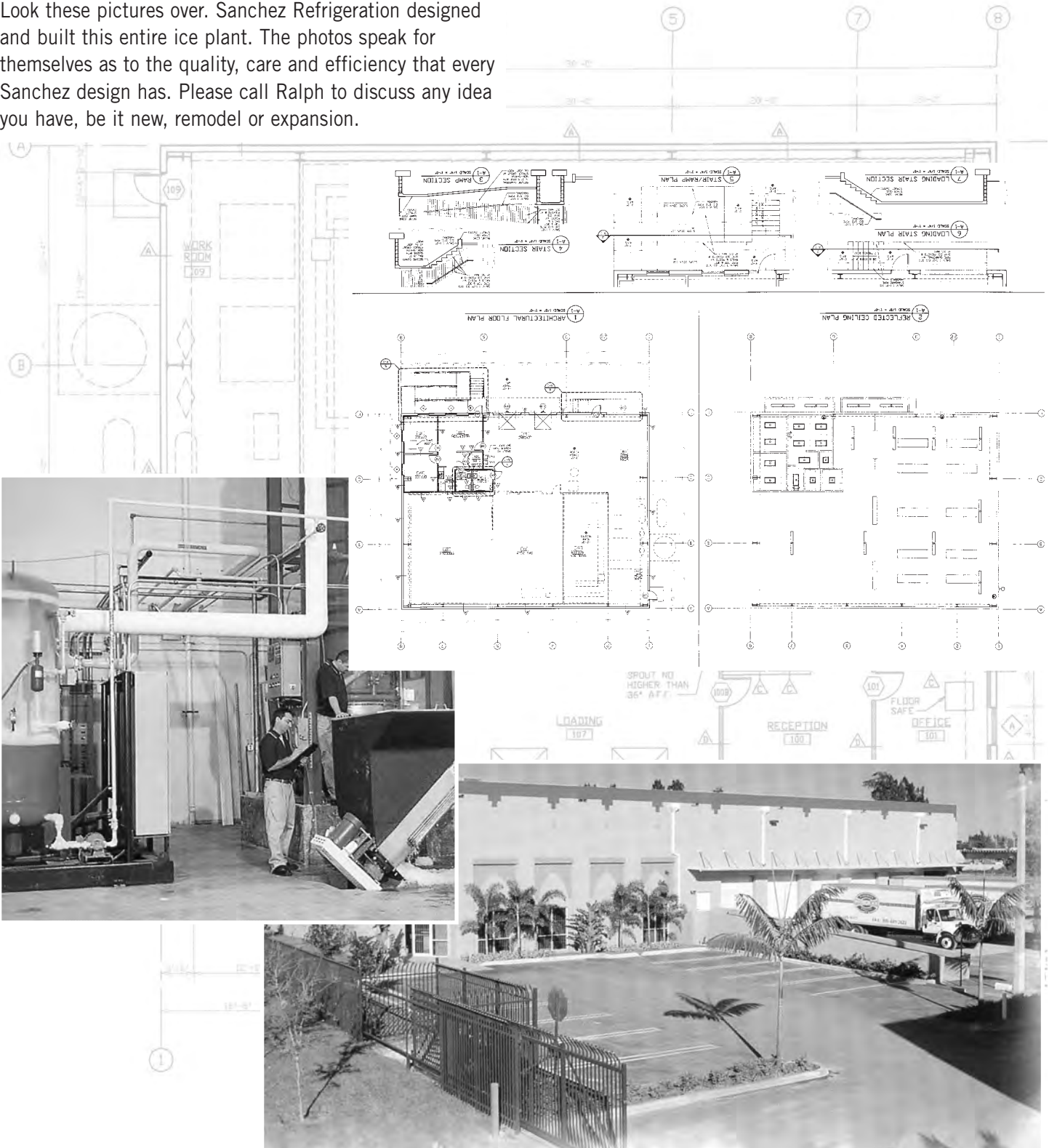


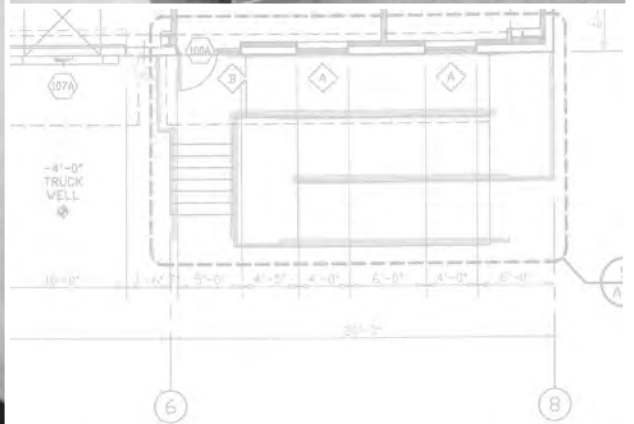
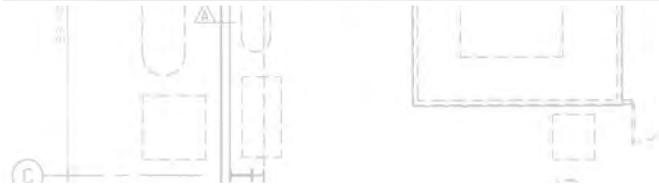
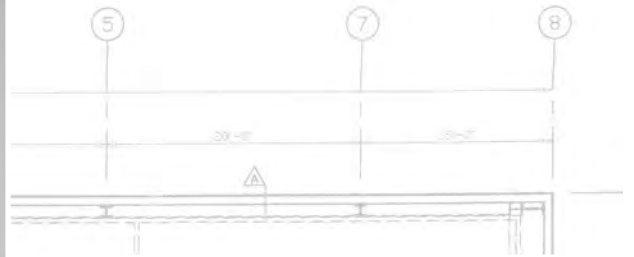


DESIGNS OF ICE PLANTS

Design/Build/Engineering

Look these pictures over. Sanchez Refrigeration designed and built this entire ice plant. The photos speak for themselves as to the quality, care and efficiency that every Sanchez design has. Please call Ralph to discuss any idea you have, be it new, remodel or expansion.





FLOOR PLAN

A-1 SCALE: 1/8" = 1'-0"



The New American Standard in Cold Storage Doors

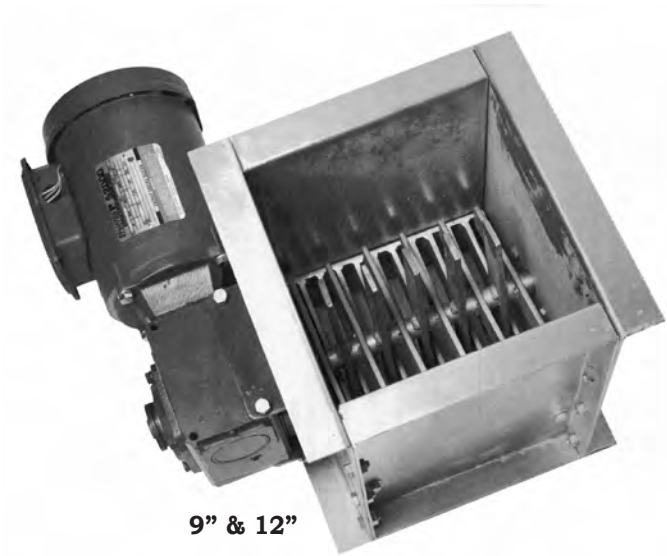
Welcome to the Frank Door Company, America's premier manufacturer of custom and standard cold storage doors and double acting traffic doors for new and existing walk-in coolers, freezers and refrigerated warehouses. Frank Door Company is proud to be the first cold storage door manufacturer to introduce the choice of color.

We are proud to have built the doors that contribute to successful operation in thousands of demanding installations such as processing facilities, pharmaceuticals, hospitals, supermarkets, convenience stores, restaurants, schools, and universities

- Walk-in Manufacturers
- Cold Storage Contractors
- Distribution Centers
- Food Processing Plants
- Mass Merchants
- Supermarkets
- Convenience Stores
- Restaurants
- Institutional Food Service
- Hotels, Resorts and Casinos
- Colleges and Universities
- Military Commissaries
- Industrial Facilities

FRANK





9" & 12"

Matthiesen 9" & 12" Mini Crusher

COMMON FEATURES

- Galvanized or stainless steel
- Pea size ice using 1/2" grate

STANDARD FEATURES - 9"

- 2 HP motor, totally enclosed fan cooled
- Standard electrical 230/3/60 (50Hz option)
- 6.5 AMPS
- 10"W x 10"D x 15"High
- 143 lbs.

STANDARD FEATURES - 12"

- 3 HP motor, totally enclosed fan available
- Standard electrical 230/3/60 (50 Hz option)
- 9.2 AMPS
- 17.25"W x 17.25"D x 18"High
- 175 lbs.



Matthiesen Crusher - Model 250

STANDARD FEATURES

- Bottom of crusher to floor - 28"
- 50# hopper - 12"W x 13-1/4"
- Loading platform - 14"W x 9"H
- Electrical 1 or 3 phase (standard electrical 230/3/60)
- 1 HP motor 1730 RPM - TEFC (Totally Enclosed Fan Cooled) - wash down available
- Capacity - 12 tons per hour
- Sizer bar adjusts for crushed ice - 1/2" to 1-1/4"
- Standard - forged stainless crusher teeth
- Construction: Galvanized or Stainless Steel

SPECIFICATIONS

- 40"L x 25"W x 58"H



Matthiesen Crusher - Model 550

STANDARD FEATURES

- Bottom of crusher to floor - 28"
- 50# hopper - 16"W x 14"
- Electrical 1 or 3 phase (standard electrical 230/3/60)
- 3 HP motor 1140 RPM - TEFC (Totally Enclosed Fan Cooled) - wash down available
- AMP draw at 3 phase - 10.0 at 230 volt, 5.0 at 460 volt
- Capacity - 15 tons per hour
- Sizer bar adjusts for crushed ice - 3/4" to 1-1/2"
- Standard - forged stainless crusher teeth
- Construction: Galvanized or Stainless Steel

SPECIFICATIONS

- 52"L x 27"W x 67"H





ICE MACHINES



PATKOL - Tube Ice Machine

STANDARD FEATURES

- All sizes Cyl Ice makers 1.5 to 120 tons/day
- Tropicalized design with guarantee capacity at 86° F make up water
- Sturdy - long service life
- Insulated freezer - cold room not required
- Extra liquid trap - vessel not required
- Near straight cut ice cube
- Available with ASME U Stamp Certificate
- Rugged design and suitable for tropical climate
- Ammonia refrigerant (freon model available)
- Simple and reliable operation

OPTIONS

- Stainless steel ice bin with auger
- PLC remote control panel
- Special cutter for crushed ice
- Supply with Compressor complete package and high side units

Unit	Millimeter				Inch			
Ice size	16	22	35	38	5/8"	7/8"	1 3/8"	1 1/2"
Tube size	19.05	25.4	38.1	41	3/4"	1	1 1/2"	1 5/8"

Models	A	B	C* (Tube Size)				D	E
			5/8"	7/8"	1 1/8"	1 5/8"		
PK-10A	5' 10 7/8"	5' 10 7/8"	18' 9 1/8"	18' 9 1/8"	20' 11 1/8"	20' 11 1/8"	5' 9 5/8"	6' 8 5/8"
PK-20A	6' 6 5/8"	6' 6 5/8"	20' 4 1/8"	20' 4 1/8"	22' 1 1/8"	22' 1 1/8"	6' 11 1/8"	6' 11 1/8"
PK-30A	7' 5 1/8"	7' 5 1/8"	20' 8 3/8"	20' 8 3/8"	22' 8"	22' 8"	7' 10 1/8"	7' 5 3/8"
PK-50A	7' 5 1/8"	7' 5 1/8"	23' 5"	23' 5"	25' 4 5/8"	28' 4 1/8"	9' 9 2/8"	9' 3 3/8"

Unit in feet

Models	A	B	C* (Tube Size)				D	E
			19.05 mm	25.4 mm	38.1 mm	41 mm		
PK-10A	1,800	1,800	5,730	5,730	6,400	6,400	1,770	2,050
PK-20A	2,000	2,000	6,110	6,110	6,710	6,710	2,120	2,130
PK-30A	2,150	2,150	6,310	6,310	6,910	6,910	2,400	2,270
PK-50A	2,150	2,150	7,140	7,140	7,740	8,640	2,980	2,830

Unit in millimeter





PATKOL - Máquina de tubo cilíndrico para hielo

CARACTERÍSTICAS ESTÁNDAR

- Diseño robusto y adecuado para el clima tropical y con un manejo sencillo y fiable
- Cortadora de acero inoxidable con diseño óptimo para el moldeado del hielo y de fácil mantenimiento
- Funciona con agua complementaria a temperatura elevada (no es necesario el uso de un enfriador de agua)
- Se puede instalar en temperatura ambiental, no siendo necesaria la instalación dentro de una cámara frigorífica
- Aislamiento y con revestimiento en hoja de acero inoxidable
- Package delivered complete with service platform
- Refrigerante de amoníaco (modelo de freón disponible)
- Disponible con el sello U de la Asociación Americana de Ingenieros Mecánicos (ASME, por sus siglas en Inglés)



Unida	Milímetros				Pulgadas			
Hielo	16	22	35	38	5/8"	7/8"	1 3/8"	1 1/2"
Tubo cilíndrico	19.05	25.4	38.1	41	3/4"	1	1 1/2"	1 5/8"

Modelos	A	B	C (Tamaño del tubo cilíndrico)				D	E
			3/4"	1"	1 1/2"	1 5/8"		
PK-10AL	5' 10 7/8"	5' 10 7/8"	20' 9 1/2"	20' 9 1/2"	22' 9 1/8"	22' 9 1/8"	6' 9 7/8"	6' 11 1/4"
PK-20AL	6' 6 3/4"	6' 6 3/4"	20' 11 7/8"	20' 11 7/8"	22' 11 3/8"	22' 11 3/8"	7' 7 3/8"	7' 1 3/4"
PK-20/25AEL	6' 6 3/4"	6' 6 3/4"	N/A	N/A	18' 8 3/8"	18' 8 3/8"	7' 7 3/8"	7' 1 3/4"
PK-30AL	7' 5/8"	7' 5/8"	21' 7 7/8"	21' 7 7/8"	23' 9 5/8"	23' 9 5/8"	8' 3 1/8"	7' 7 5/8"
PK-35AL	7' 5/8"	7' 5/8"	N/A	N/A	26' 9 1/2"	26' 9 1/2"	8' 3 1/8"	7' 7 5/8"
PK-50AL	7' 5/8"	7' 5/8"	24' 2 3/8"	27' 10 7/8"	29' 10 5/8"	29' 10 5/8"	10' 1 5/8"	9' 5 1/8"
PK-60/70AL	7' 5/8"	7' 5/8"	N/A	27' 10 7/8"	30' 8 3/8"	30' 4 3/8"	10' 4 7/8"	9' 5 1/8"

Medidas en pies

OPCIONES

- Depósito para hielo de acero inoxidable
- con una barrena PLC de mando a distancia
- Cortadora especial para triturar el hielo
- Incluye compresor y unidades laterales elevadas

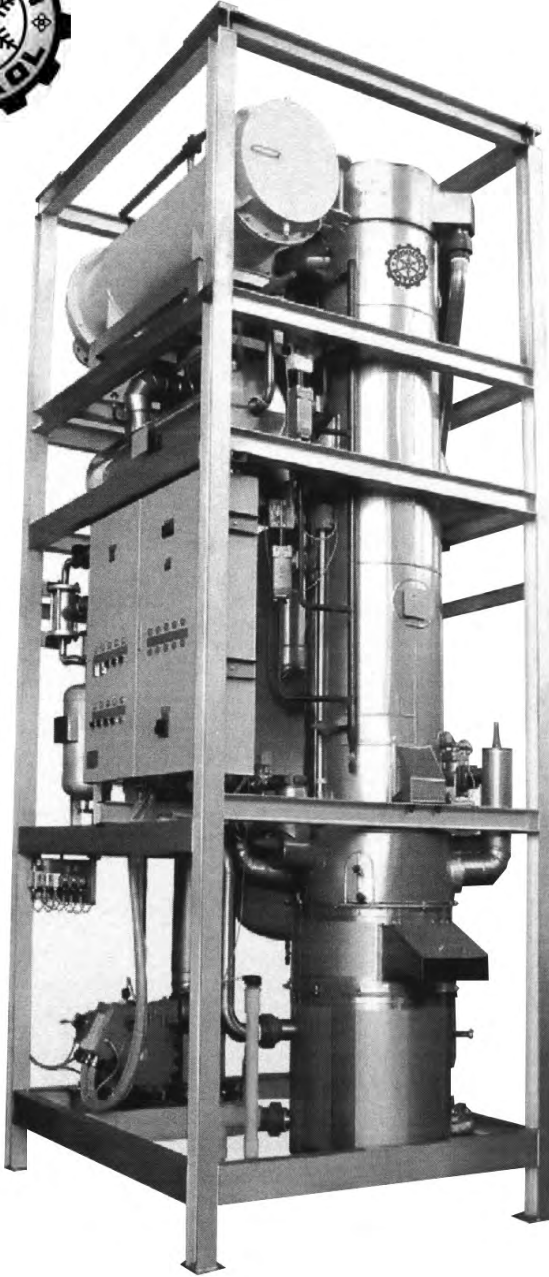
Modelos	A	B	C (Tamaño del tubo cilíndrico)				D	E
			19.05 mm	25.4 mm	38.1 mm	41 mm		
PK-10AL	1,800	1,800	6,340	6,340	6,940	6,940	2,080	2,115
PK-20AL	2,000	2,000	6,400	6,400	6,995	6,995	2,320	2,180
PK-20/25AEL	2,000	2,000	N/A	N/A	5,700	5,700	2,320	2,180
PK-30AL	2,150	2,150	6,600	6,600	7,255	7,255	2,520	2,328
PK-35AL	2,150	2,150	N/A	N/A	8,165	8,165	2,520	2,328
PK-50AL	2,150	2,150	7,375	8,510	9,110	9,110	3,089	2,875
PK-60/70AL	2,150	2,150	N/A	8,510	9,360	9,255	3,173	2,875

Medidas en milímetros





ICE MACHINES



PATKOL TUBE Ice Machine (Model PKU-10FU)

Self-contained Unit

STANDARD FEATURES

- More capacity due to tropicalized design
- Large freezer, high COP resulted in low production cost
- Give good ice shape due to better cutting with small hole

OPTIONS

- Stainless steel casing frame
- Ice bin with screw conveyor
- PLC system
- ASME U-stamp certificate
- Special cutter for crushed ice
- Evaporative condenser
- UL standard control panel

Capacity Table

Model	Refrigerant	Water temperature				
		86°F 30°C	80°F 26.7°C	70°F 21.1°C	60°F 15.6°C	50°F 10°C
PK-15FU	R22	16.3	16.8	17.6	18.4	19.2
	R404a	14.7	15.2	16.0	16.6	17.3
PK-10FU	R22 & R404a	9.8	10.1	10.6	11.0	11.5

Note

- Ice capacity base on 10% blow down
- Ice capacity is in US. Ton/24 hrs. (1 US ton = 0.907 metric ton)
- PK-15FU use industrial open-type compressor, PK-10FU use semi-hermetic compressor.

Standard Ice Size

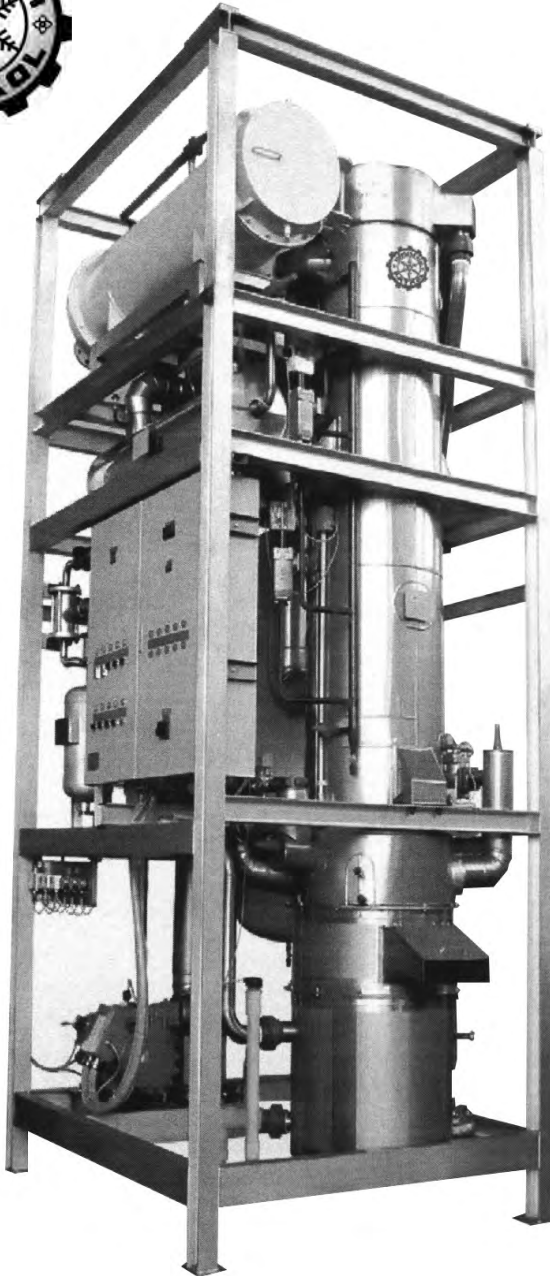
Tube Size	3/4"	1"	1 1/4"	1 1/2"	1 5/8"
Ice Size	5/8"	7/8"	1 1/8"	1 3/8"	1 1/2"

Remark : Dimension of tube size and ice size are outside diameter.

Dimension

Model	A	B	C	D
PK-15FU	6' 10 ^{3/4} "	6' 7 ^{5/8} "	19' 10"	1'
PK-10FU	7' 4 ^{1/2} "	6' 7 ^{1/2} "	17' 4 ^{3/4} "	1'





PATKOL Máquina de tubo cilíndrico para hielo

(Modelos PKU-10FU/PK-15FU)

Unidad autónoma

CARACTERÍSTICAS ESTÁNDAR

- Con más capacidad por su diseño adaptado al trópico
- Congelador amplio. Un elevado COP resultó en una producción a bajo costo
- El hielo bien moldeado gracias a la cortadura producida por una perforación pequeña

OPCIÓN

- Cubierta exterior en acero inoxidable
- Deposito para hielo con transportador de tornillo
- Sistema PLC
- Sello U certificado por la Sociedad Americana de ingenieros Mecánicos (ASME por sus siglas en Inglés)
- Cortadora especial para triturar el hielo
- Condensador de evaporación
- Panel de control UL estándar

Tabla de capacidad

Modelo	Refrigerante	Temperatura del agua				
		86°F 30°C	80°F 26.7°C	70°F 21.1°C	60°F 15.6°C	50°F 10°C
PK-10FU-S	R22 & R404a	9	9.3	9.8	10.2	10.8
PK-10FU	R22 & R404a	10	10.3	10.9	11.4	11.9
PK-15FU	R22	16.3	16.8	17.6	18.4	19.2
	R404a	14.7	15.2	16.0	16.6	17.3

Tamaños estándar

Tubo cilíndrico	3/4"	1"	1 1/4"	1 1/2"	1 5/8"
Hielo	5/8"	7/8"	1 1/8"	1 3/8"	1 1/2"

Dimensiones

Modelo	A	B	C
PK-10FU-S	7' 4 ⁵ / ₈ "	6' 7 ¹ / ₂ "	10' 11 ¹ / ₈ "
PK-10FU	7' 4 ⁵ / ₈ "	6' 7 ¹ / ₂ "	12' 10 ³ / ₄ "
PK-15FU	6' 10 ³ / ₄ "	6' 7 ⁵ / ₈ "	18' 10"





ICE MACHINES



STANDARD FEATURES

- Hygienic ice produced
- Flat and parallel surfaces no damage to product
- Ice thickness between 3 to 12 mm
- Stainless steel all parts
- High efficiency in refrigerant vertical flow of evaporator plate
- Self contained complete ice making unit in freon
- Simple and reliable operation
- Harvest conveyer available



Evaporator plate



Harvest conveyer



3-12 mm. Thickness

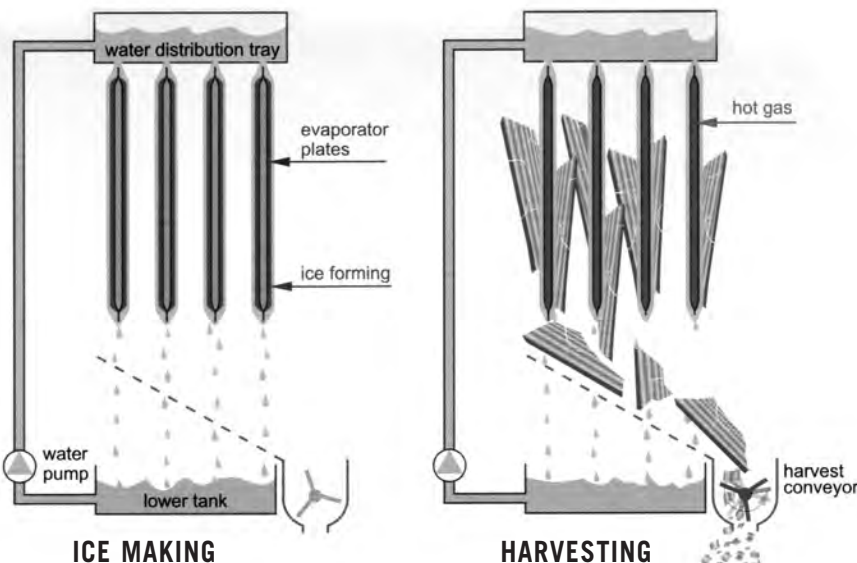
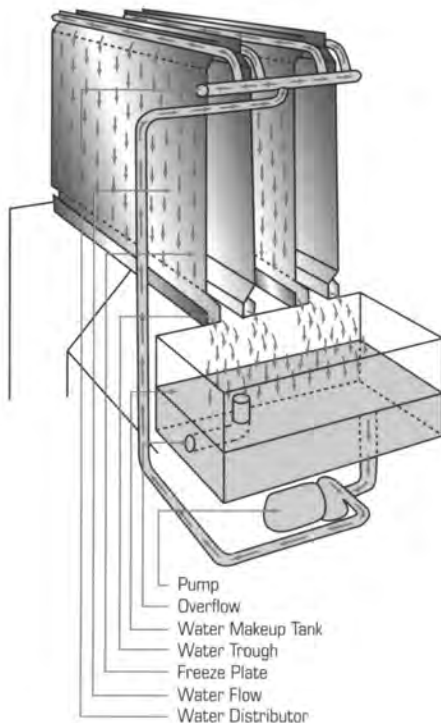
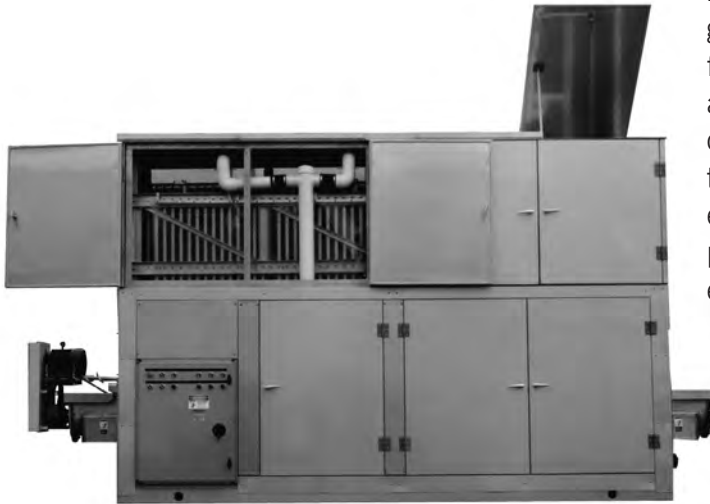




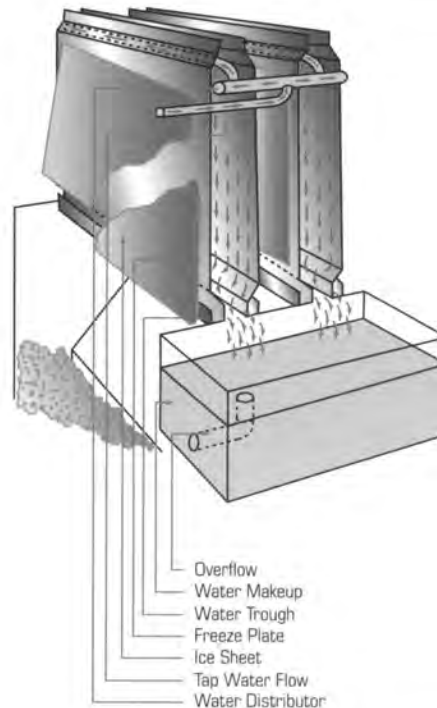
Plate Ice Maker

The Turbo C-line icemakers come in self-contained and remote units from 1 to 85 tons. Ice making plates are grouped vertically with ice forming on both sides in sheets from 3/16" to 1" thick. The C-line gives you dry, hard ice at low cost, chilling quicker and lasting longer. At the end of each ice making cycle, the ice is cold tempered making the ice extra dry and therefore mobile longer, requiring no extra drying apparatus. Because of this, when the ice is placed in storage it does not crust and fuse together. It's easier to handle.



Ice freezing cycle

Water is sprayed on **TURBO's Freezing Plates**. This water then flows, by gravity, over the plates, forming a freezing cycle.



Ice harvesting cycle

For harvesting, fresh water is sprayed on the back of the plates, releasing the ice, which then falls, by gravity, into a breaker bin where the ice is broken into selected-size pieces. **TURBO's Exclusive Ice Drying Cycle** is built into all units.





ICE MACHINES *(Used or Refurbished)*

Turbo D-Line Ice Maker

The D-Line was designed as a low cost, 6-ton ice generator. It uses a modified hot gas harvest system that yields lower operational costs and uses a small amount of floor space. The ice harvests from the icemaking plates out the bottom of the unit and must be collected by a screw conveyor or storage bin (purchased separately). A programmable controller controls all functions of the icemaker. A 3-position switch located on the main electrical panel controls ice thickness. The plate type ice is clear and dense. It is the preferred solution for many applications.



D-Line Specifications

Model Number DF-6-XX	U.S.				
Overall Dimensions (with legs)	87" L x 53-1/2" W x 88" H				
Shipping Dimensions (legs ship loose)	87" L x 53-1/2" W x 64" H				
Shipping Weight	3,200 lbs.				
Operating Weight	3,750 lbs.				
Refrigerant Charge					
Water-Cooled	40 lbs. R-22				
Air-Cooled	94 lbs. R-22				
Oil	Suniso 3GS or equivalent				
Oil Charge	152 ounces				
Nominal Capacity (U.S. tons per day)					
40°F Water	6.8				
50°F Water	6.4				
60°F Water	6.0				
70°F Water	5.7				
80°F Water	5.4				
Make-Up Water	28 GPM @ 6.5 PSIG				
Make-Up Water Connection	1" FPT				
Condenser Water Connections					
Inlet/Outlet	2" FPT				
Condenser Flow Rate	38 GPM				
Total FLA (230V/460V)					
Water-Cooled (SC)	67.1/33.6				
See below for cooling tower information					
Air-Cooled (SCA)	87.6/43.8				
Compressor (Nom. HP/KW)	30/20.3				
FLA (230V/460V)	67.8/33.9				
Water Pump (HP/KW)	1.0/1.2				
FLA (230V/460V)	3.0/1.5				
Cooling Tower for Water-Cooled Use (78°F Wet Bulb, 85°F EWT/95°F LWT)					
Dimensions	50-1/4" x 35-1/2" x 51-7/8"				
Shipping Weight	360 lbs.				
Operating Weight	670 lbs.				
Tower Fan	3/4 HP/1.3 KW				
Fan FLA (230V/460V)	3.0/1.5				
Tower Pump					
Flow	38 GPM				
TDH (minimum)	40 feet				
HP/KW	1/2/0.5				
Pump FLA (230V/460V)	1.7/0.8				
Connections (FPT)	2" Suction/1-1/2" Discharge				
Air-Cooled Condenser (100°F Ambient, 120°F SCT)					
Number of Fans/HP/KW	2/1-1/2/4.2				
FLA Total (230V/460V)	25.6/12.8				
Inlet Connection	1-5/8" ODS				
Outlet Connection	1-1/8" ODS				
Shipping Weight	465 lbs.				
Operating Weight	525 lbs.				
Receiver Specifications					
Dimensions (diameter/length)	10-3/4" x 36"				
Shipping Weight	45 lbs.				
Correction Factors for Other Condensing Temperatures					
	100°F	105°F	110°F	115°F	120°F
Capacity (U.S. tons per day)	1.02	1.00	0.97	0.94	0.91
KW	0.95	1.00	1.10	1.14	1.19



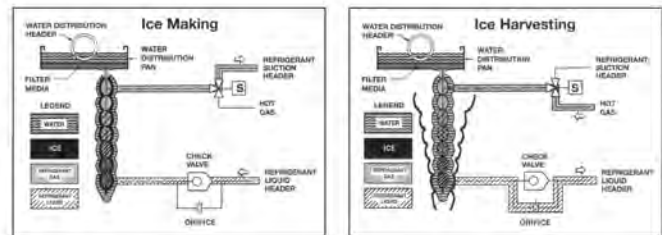
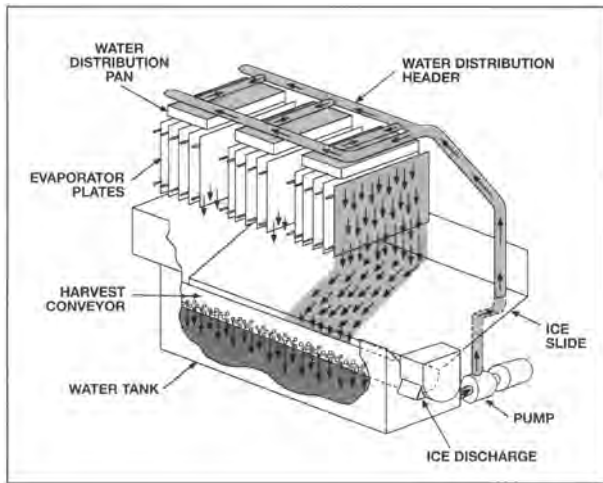


Turbo TIG and TIGAR Ice Makers

The TIG (R-22) and TIGAR (ammonia) series are industry work-horses. Remote or completely packaged units are available with capacities to 250 tons of ice per day. Ice making plates are grouped vertically with ice forming on both sides in sheets from 3/16" to 1/2" thick. The ice has an internal quality that results in a clear, hard ice. Self-contained units provide you with simple, low cost installation. They are wired, charged with refrigerant and fully tested. You need only to connect your water and power sources. Continuous design improvements have made this the most efficient, durable and flexible ice producer available.

FEATURES:

- Manufactured in strict accordance with USDA standards
- TIG/TIGAR series uses a hot gas defrost
- Inlet water is chilled by the ice fines generated in the ice making process
- Stainless steel delivery conveyor and water pumps
- PLC-based control system for easy operator interface and control
- Easy access to all components for maintenance
- Insulated enclosure for indoor or outdoor placement
- Multi-section unit allows for independent operation of separate sections
- Water and energy efficient with hot gas harvest



TIG Series Specifications

SELF-CONTAINED R-22 FREON MODELS

Nominal Ice Capacity (US Tons) (24 hrs)	Model Number	Refrigerant Required Tons	KW	Overall Dimensions LxWxH inches	Operating Weight Pounds	Shipping Weight Pounds	Compressor Motor Horsepower	Water Pump Horsepower	Evaporator Condenser HP (Pairs)	Feedwater Flow GPM	FLA Amps @ 230/3/60
18.0	TIG-18-SC	24.3	85.4	142 x 94 x 115	11,100	9,000	50	1.5	3 (3/4)	3.0	141.6
18.0	TIG-18-SCE	24.3	85.4	278 x 94 x 117	15,500	13,100	50	1.5	3 (3/4)	3.0	135.6
18.0	TIG-18-SCER	24.3	85.4	142 x 94 x 115	10,500	8,400	50	1.5	3 (3/4)	3.0	141.6
18.0	TIG-18-SCAR	24.3	85.4	142 x 94 x 115	10,500	8,400	50	1.5	3 (3/4)	3.0	141.6
21.0	TIG-21-SC	32.4	113.9	142 x 94 x 115	15,600	12,500	60	1.5	5 (3/4)	4.0	165.6
21.0	TIG-21-SCE	32.4	113.9	278 x 94 x 117	21,600	17,900	60	1.5	5 (3/4)	4.0	165.6
21.0	TIG-21-SCER	32.4	113.9	142 x 94 x 115	14,900	11,800	60	1.5	4.0	4.0	165.6
18.0	TIG-21-SCAR	32.4	113.9	142 x 94 x 115	14,900	11,800	60	1.5	4.0	4.0	165.6
33.0	TIG-33-SC	48.6	170.9	187 x 94 x 115	23,400	18,200	100	2 @ 1.5HP	10 (1)	8.0	265.4
33.0	TIG-33-SCE	48.6	170.9	351 x 94 x 117	31,500	25,400	100	2 @ 1.5HP	10 (1)	8.0	205.4
33.0	TIG-33-SCER	48.6	170.9	187 x 94 x 115	22,400	17,200	100	2 @ 1.5HP	6.0	6.0	265.4
30.0	TIG-30-SCAR	48.6	170.9	187 x 94 x 115	22,400	17,300	100	2 @ 1.5HP	6.0	6.0	265.4
43.0	TIG-43-SC	64.8	227.8	198 x 94 x 117	30,000	23,700	2 @ 60HP	2 @ 1.5HP	10 (1-1/2)	7.0	325.2
43.0	TIG-43-SCE	64.8	227.8	385 x 94 x 117	36,700	33,400	2 @ 60HP	2 @ 1.5HP	10 (1-1/2)	7.0	386.2
43.0	TIG-43-SCER	64.8	227.8	198 x 94 x 117	28,800	22,600	2 @ 60HP	2 @ 1.5HP	7.0	7.0	325.2
64.0	TIG-64-SC	97.3	342.1	288 x 94 x 117	44,100	34,300	2 @ 100HP	3 @ 1.5HP	N/A	11.0	518
64.0	TIG-64-SCE	97.3	342.1	388 x 94 x 117	42,500	32,800	2 @ 100HP	3 @ 1.5HP	N/A	11.0	518
85.0	TIG-85-SC	129.0	453.6	348 x 94 x 117	55,500	43,100	2 @ 125HP	3 @ 2HP	N/A	14.0	601
85.0	TIG-85-SCER	129.0	453.6	348 x 94 x 117	63,800	41,200	2 @ 125HP	3 @ 2HP	N/A	14.0	601

- Dimensions are for the base unit and do not include the lower conveyor extension of 36".
- Dimensions may vary. Please verify current dimensions before plant design.
- SCE model dimensions are based on 78" wet bulb. Overall length will vary with wet bulb temperature.
- Standard conveyor and water pump materials are stainless steel.
- Standard screw conveyor size is 9".
- Harvest conveyor motor is 2hp.

Standard Rating Conditions:
 60°F entering water temperature;
 90°F ambient temperature;
 95°F condensing for base capacity rating.
 Air-cooled condensing operation based on 100°F ambient/120°F SC1
 Water-cooled condensing operation based on 50°F lower water to the condenser and 105°F SC1.
 Ice thickness is 1/4".

TIGAR Series Specifications

REMOTE AMMONIA ICE MAKERS

Nominal Ice Capacity (US Ton) (24 hrs)	Model Number	Refrigerant Tons	Ammonia Flow GPM	Overall Dimensions L x W x H inches	Shipping Weight Pounds	Water Pump Horsepower	Feedwater Flow GPM	FLA Amps @ 230/3/60
25	TIGAR - 25	37.5	12	75 x 94 x 110	6,900	1.5 HP	4	12.8
50	TIGAR - 50	75.0	24	118 x 94 x 110	11,500	2 @ 1.5 HP	8	18.2
75	TIGAR - 75	112.5	36	153 x 94 x 110	17,300	3 @ 1.5 HP	13	25.8
100	TIGAR - 100	150.0	48	211 x 94 x 110	23,000	4 @ 1.5 HP	17	27.4

- Tigar units available for liquid recirculation (TIGAR) or flooded (TIGAR-FL) duty. • For use with remote ammonia high slide refrigeration equipment. • Standard conveyor and water pump materials are stainless steel. • Standard screw conveyor size is 9". • Harvest conveyor motor is 2hp. • Dedicated ammonia high slides are available, please consult the factory.

Standard Rating Conditions:
 60°F entering water temperature;
 90°F ambient temperature;
 93°F refrigerant temperature
 Ice thickness is 1/4".

FEEDWATER TEMPERATURES	30°F	40°F	50°F	60°F	70°F	80°F	90°F
ICE CAPACITY MULTIPLIERS	1.17	1.03	1.00	1.00	0.944	0.899	0.851

EVAPORATOR TEMPERATURES	-5°F	0°F	5°F	10°F	15°F	20°F
ICE CAPACITY MULTIPLIERS	1.15	1.00	0.844	0.688	0.531	0.375





ICE MACHINES (Used or Refurbished)

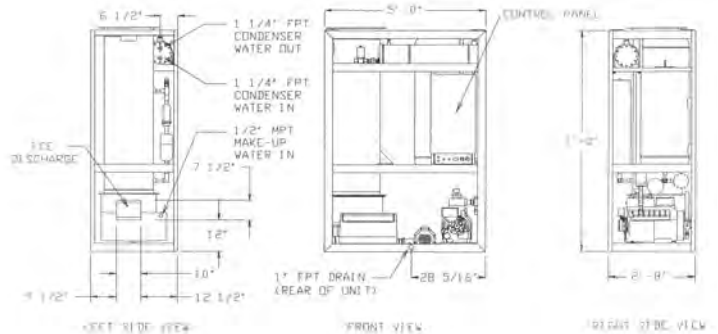
Model P118



Vogt Tube Ice Machines

MODELS AVAILABLE

- P112 ■ P24A/ P24F ■ P34AL
- P118 ■ P24AL ■ P34AL-15
- P18AL ■ P24 FL ■ P34FL
- P18XT ■ P34A/P34F ■ DX11



SPECIFICATIONS												
WATER TEMPERATURE	MODEL P118-1"				MODEL P118-1 1/4"				MODEL P118-1 1/2"			
	CAPACITY TONS PER 24HRS	KWH PER 100 LBS	WATER REQUIREMENTS (GPM)		CAPACITY TONS PER 24HRS	KWH PER 100 LBS	WATER REQUIREMENTS (GPM)		CAPACITY TONS PER 24HRS	KWH PER 100 LBS	WATER REQUIREMENTS (GPM)	
			ICE MAKING	CONDENSER			ICE MAKING	CONDENSER			ICE MAKING	CONDENSER
90 °F	4.6	3.44	0.90	68	4.2	3.71	0.84	68	3.95	3.79	0.83	68
80 °F	5.1	3.23	0.94	25	4.6	3.50	0.89	25	4.35	3.58	0.88	25
70 °F	5.5	2.92	1.00	15	5	3.15	0.94	15	4.75	3.23	0.93	15
60 °F	5.9	2.73	1.04	11	5.4	2.96	0.99	11	5.05	3.02	0.98	11
50 °F	6.2	2.51	1.10	8	5.6	2.74	1.05	8	5.35	2.80	1.04	8
WEIGHT	OPERATING: 2,975 LBS (1350 KG)						SHIPPING: 3,200 LBS (1451 KG)					
STANDARD ELECTRICAL REQUIREMENTS	66.9 F.L.A WATER COOLED						76.9 F.L.A. AIR COOLED					
	208/230 VOLT 3 PHASE 60 HERTZ (OPTIONAL ELECTRICAL ARRANGEMENTS ON REQUEST)											
STANDARD CONDENSING UNIT	15 H.P. (HIGH EFFICIENCY, ENERGY SAVING COPELAND DISCUS COMPRESSOR)											
	STANDARD REFRIGERANT R-22 WITH SEMI-HERMETIC COMPRESSOR AND WATER COOLED TUBE TYPE CONDENSER (REMOTE AIR COOLED CONDENSER OPTIONAL)											
ICE SIZE	CYLINDER 7/8" DIA X 1" LONG				CYLINDER 1 1/8" DIA X 1" LONG				CYLINDER 1 3/8" DIA X 1" LONG			
	CRUSHED ICE 3/16" TO 1/4" THICK CAN BE PRODUCED WITH MODIFICATION OF CUTTER											
NOTE: CAPACITY BASED ON AMBIENT (AIR) TEMPERATURE OF 90 °F						FOR CRUSHED ICE MULTIPLY CAPACITY BY 1.04 AND KWH BY 0.96						
MAKE-UP WATER INCLUDES 20% BLOWDOWN						ICE CAPACITY IS 5% LOWER FOR OPERATION ON 50 HERTZ CURRENT						
KWH BASED ON 60HZ OPERATION						CAPACITY SHOWN IS THE AVERAGE (Individual machines may vary by ± 5%)						

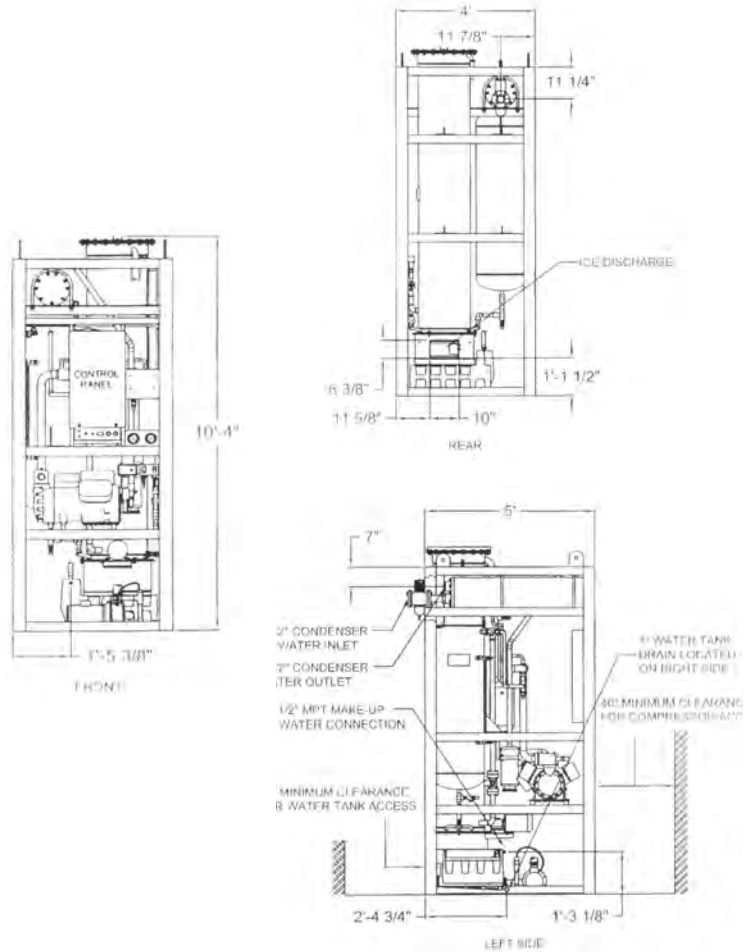
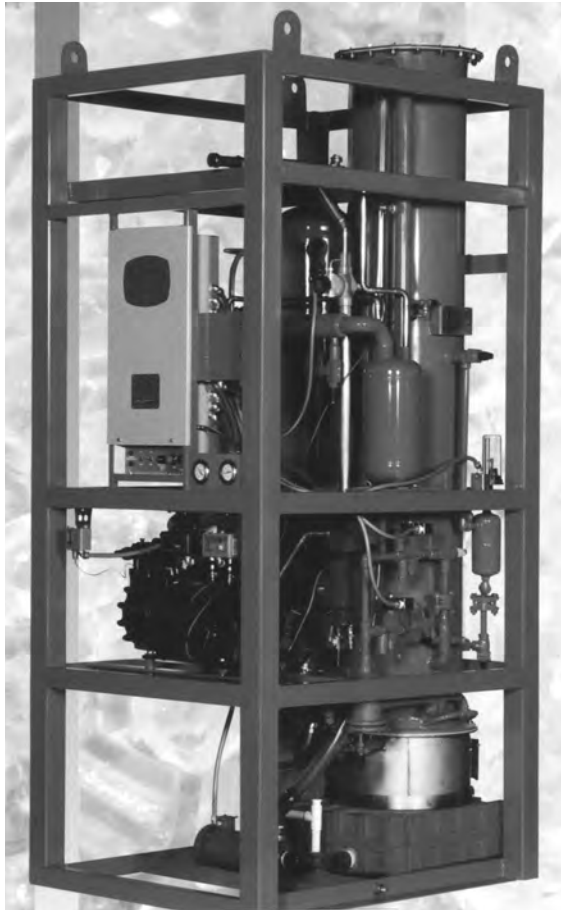
Vogt reserves the right to change designs and specifications without notice.



(Used or Refurbished) ICE MACHINES



Model P 18XT



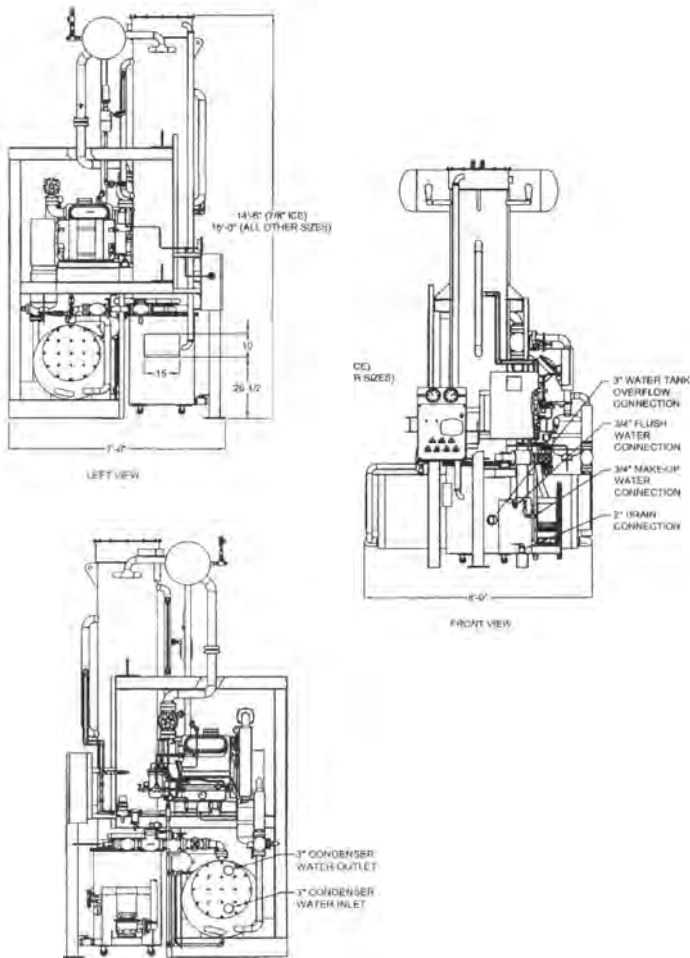
SPECIFICATIONS												
WATER TEMPERATURE	MODEL P18XT-1"				MODEL P18XT-1 1/4"				MODEL P18XT-1 1/2"			
	CAPACITY TONS PER 24HRS	KWH PER 100 LBS	WATER REQUIREMENTS (GPM)		CAPACITY TONS PER 24HRS	KWH PER 100 LBS	WATER REQUIREMENTS (GPM)		CAPACITY TONS PER 24HRS	KWH PER 100 LBS	WATER REQUIREMENTS (GPM)	
			ICE MAKING	CONDENSER			ICE MAKING	CONDENSER			ICE MAKING	CONDENSER
90 °F	8.30	3.15	1.93	110	7.89	3.15	1.74	110	7.25	3.56	1.68	110
80 °F	9.15	3.03	2.14	34	8.60	3.16	1.93	34	8.00	3.42	1.86	34
70 °F	10.00	2.84	2.35	17	9.05	3.18	2.12	17	8.75	3.21	2.04	17
60 °F	10.30	2.58	2.42	12	9.52	2.19	2.16	12	8.95	2.92	2.09	12
50 °F	10.60	2.30	2.49	9.5	9.73	2.20	2.21	9.5	9.15	2.60	2.14	9.5
WEIGHT	OPERATING: 4,900 LBS (2223 KG)						SHIPPING: 4,800 LBS (2177 KG)					
STANDARD ELECTRICAL REQUIREMENTS	113.1 F.L.A WATER COOLED						130.1 F.L.A. AIR COOLED					
	208/230 VOLT 3 PHASE 60 HERTZ (OPTIONAL ELECTRICAL ARRANGEMENTS ON REQUEST)											
STANDARD CONDENSING UNIT	30 H.P. (HIGH EFFICIENCY, ENERGY SAVING COPELAND DISCUS COMPRESSOR)											
	STANDARD REFRIGERANT R-22 WITH SEMI-HERMETIC COMPRESSOR AND WATER COOLED TUBE TYPE CONDENSER (REMOTE AIR COOLED CONDENSER OPTIONAL)											
ICE SIZE	CYLINDER 7/8" DIA X 1" LONG				CYLINDER 1 1/8" DIA X 1" LONG				CYLINDER 1 3/8" DIA X 1" LONG			
	CRUSHED ICE 3/16" TO 1/4" THICK CAN BE PRODUCED WITH MODIFICATION OF CUTTER											
NOTE: CAPACITY BASED ON AMBIENT (AIR) TEMPERATURE OF 90 °F MAKE-UP WATER INCLUDES 20% BLOWDOWN KWH BASED ON 60HZ OPERATION						FOR CRUSHED ICE MULTIPLY CAPACITY BY 1.04 AND KWH BY 0.96 ICE CAPACITY IS 5% LOWER FOR OPERATION ON 50 HERTZ CURRENT CAPACITY SHOWN IS THE AVERAGE (INDIVIDUAL MACHINES MAY VARY BY + 5%)						
Vogt reserves the right to change designs and specifications without notice.												





ICE MACHINES (Used or Refurbished)

Model P24 A/F



SPECIFICATIONS												
	MODEL P24A (Ammonia Refrigerant)			MODEL P24F (R-22 Refrigerant)								
WATER TEMPERATURE	STANDARD CAPACITY, TONS PER 24 HOURS											
	7/8" DIA. ICE	1 1/8" DIA. ICE	1 3/8" DIA. ICE	7/8" DIA. ICE	1 1/8" DIA. ICE	1 3/8" DIA. ICE						
80 °F	22.9	26.0	19.3	18.8	20.2	18.4						
70 °F	24.3	27.6	20.6	20.1	21.4	19.7						
60 °F	25.9	29.4	22.1	21.7	22.7	21.2						
50 °F	27.7	31.5	23.7	23.5	24.2	23.0						
WEIGHT (LBS)	OPERATING: 7,150 SHIPPING: 5,800	OPERATING: 7,700 SHIPPING: 6,200	OPERATING: 7,500 SHIPPING: 6,000	OPERATING: 7,150 SHIPPING: 5,800	OPERATING: 7,700 SHIPPING: 6,200	OPERATING: 7,500 SHIPPING: 6,000						
STANDARD ELECTRICAL	POWER: 460V, 3P, 60 Hz			CONTROLS: 230 V, 1P, 60 Hz								
	(OPTIONAL ELECTRICAL ARRANGEMENTS ON REQUEST)											
	P24A CAPACITY TABLE, TONS PER 24 HOURS (AT SUCTION TEMPERATURE °F)			P24F CAPACITY TABLE, TONS PER 24 HOURS (AT SUCTION TEMPERATURE °F)								
WATER TEMPERATURE	5			15			5			15		
	7/8"	1 1/8"	1 3/8"	7/8"	1 1/8"	1 3/8"	7/8"	1 1/8"	1 3/8"	7/8"	1 1/8"	1 3/8"
80 °F	26.5	30.5	22.9	18.9	21.1	15.6	22.0	24.3	21.8	15.3	16.6	14.8
70 °F	28.1	32.3	24.3	20.1	22.5	16.6	23.5	26.0	23.3	16.4	17.8	15.9
60 °F	29.8	34.4	26.0	21.5	24.0	17.9	25.3	27.9	25.0	17.8	19.1	17.2
50 °F	31.8	36.7	27.9	23.2	25.8	19.3	27.3	30.0	27.1	19.3	20.8	18.6

NOTE: STANDARD CAPACITY BASED ON SUCTION TEMPERATURE OF 10 °F AND AN AMBIENT (AIR) TEMPERATURE OF 90 °F

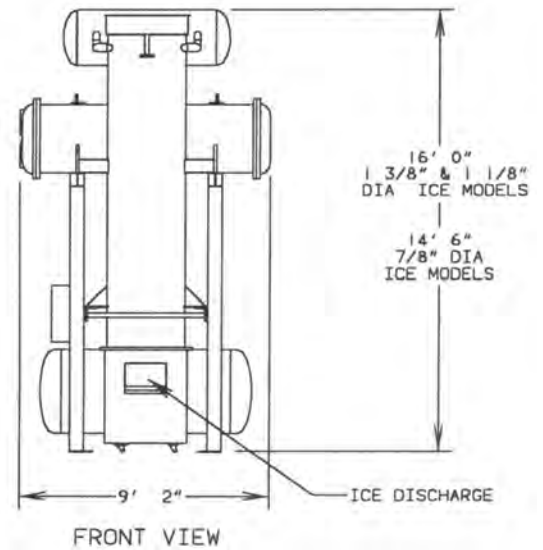
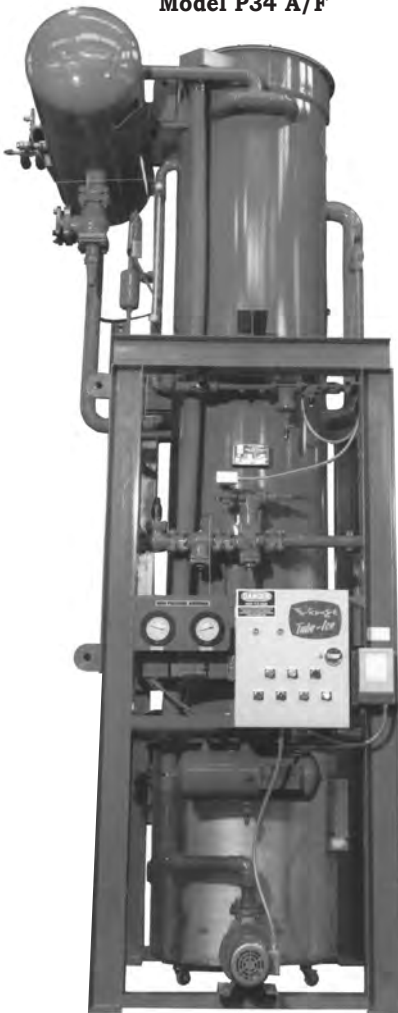
Vogt reserves the right to change designs and specifications without notice.



(Used or Refurbished) ICE MACHINES



Model P34 A/F



SPECIFICATIONS

	MODEL P34A (AMMONIA REFRIGERANT)						MODEL P34F (REFRIGERANT 22)					
	CAPACITY, TONS PER 24 HOURS											
	US		Metric		US		Metric		US		Metric	
Water Temperature	1 3/8" Dia. Ice		1 1/8" Dia. Ice		7/8" Dia. Ice		1 3/8" Dia. Ice		1 1/8" Dia. Ice		7/8" Dia. Ice	
85°F 29.4°C	36.0	32.6	39.0	35.3	37.0	33.5	37.0	33.5	42.0	38.1	38.0	34.4
75°F 23.8°C	38.0	34.4	41.5	37.6	39.0	35.3	39.0	35.3	44.0	39.9	40.0	36.3
65°F 18.3°C	40.0	36.3	44.0	39.9	41.0	37.2	41.0	37.2	47.0	42.6	42.0	38.1
55°F 12.8°C	42.5	38.5	47.0	42.6	43.5	39.5	43.5	39.5	50.0	45.3	44.0	39.9
Weight Operating	23000 lbs/10500 Kg		23000 lbs/10500 Kg		22400 lbs/10200 Kg		24100 lbs/10930 Kg		24100 lbs/10930 Kg		23500 lbs/10650 Kg	
Shipping	21500 lbs/9750 Kg		21500 lbs/9750 Kg		20900 lbs/9480 Kg		21800 lbs/9890 Kg		21800 lbs/9890 Kg		21200 lbs/9600 Kg	
Standard Electrical Requirements	Power: 460 volt, 3 phase, 60 hertz Controls: 230 volt, 1 phase, 60 hertz (Other electrical requirements can be furnished)											
Standard Condensing Unit	125 HP Compressor (Ammonia)						150 HP Compressor (R-22)					
	Shell and Tube, Water Cooled Condenser											
Water Connections	Make Up: 1" FPT											
	Drain: 2" FPT											
	Condenser inlet and outlet: 5"											
	Compressor Cooling Inlet and Outlet: one 3/4" FPT Inlet, two 1/2" FPT Outlets											
	Water Tank Overflow 3" FPT											
NOTE: Capacity based on 90°F ambient (air) temperature. Crushed ice 3/16"-1/4" thick can be produced with modification of cutter.								45 KWH per ton (P34A) 52 KWH per ton (P34F)				

Factory Mutual Approved
USDA Approved

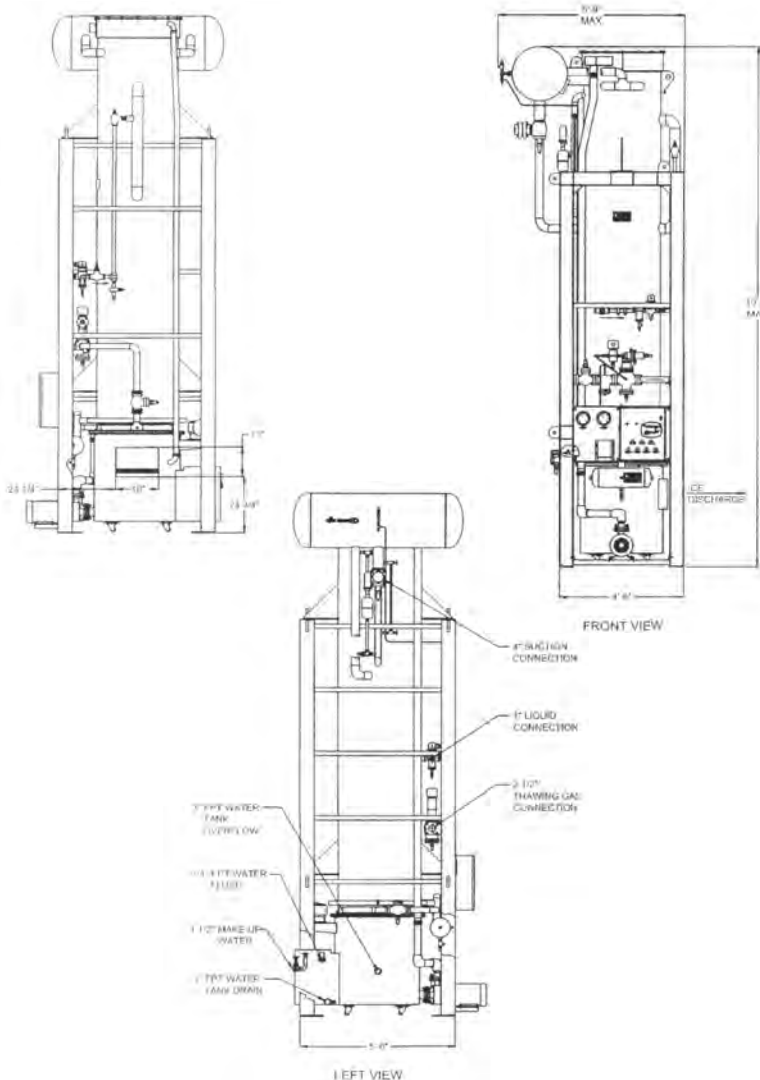
NOTE: Vogt reserves the right to change designs and specifications without notice.
Refrigerant Charge Not Included
Covered by one or more U.S. patents





ICE MACHINES (Used or Refurbished)

Model P34 AL-15



SPECIFICATIONS												
MODEL P34AL-15 (Ammonia Refrigerant)												
STANDARD CAPACITY, TONS PER 24 HOURS												
WATER TEMP.	7/8" DIA. ICE			1 1/8" DIA. ICE			1 3/8" DIA. ICE					
80 °F	73.2			70.4			53.9					
70 °F	76.0			73.6			56.6					
60 °F	79.1			77.1			59.5					
50 °F	82.5			80.9			62.7					
WEIGHT (LBS)	OPERATING: 15,400 SHIPPING: 11,700			OPERATING: 16,200 SHIPPING: 12,300			OPERATING: 16,100 SHIPPING: 12,000					
STANDARD ELECTRICAL	230 V, 3P, 60 Hz - 460V, 3P, 60 Hz - 400V, 3P, 50 Hz (OPTIONAL ELECTRICAL ARRANGEMENTS ON REQUEST)											
CAPACITY TABLE, TONS PER 24 HOURS (AT SUCTION TEMPERATURE °F)												
WATER TEMPERATURE	0			5			15			20		
	7/8"	1 1/8"	1 3/8"	7/8"	1 1/8"	1 3/8"	7/8"	1 1/8"	1 3/8"	7/8"	1 1/8"	1 3/8"
80 °F	91.8	91.7	71.5	83.1	81.6	63.1	61.7	58.0	44.0	48.3	44.3	33.2
70 °F	94.9	95.5	74.7	86.1	85.1	66.0	64.3	60.8	46.3	50.5	46.5	35.0
60 °F	98.2	99.6	78.2	89.4	88.9	69.3	67.1	63.9	48.7	53.0	49.0	36.9
50 °F	101.8	104.0	82.1	92.9	93.1	72.8	70.2	67.3	51.5	55.6	51.8	39.2

NOTE: STANDARD CAPACITY BASED ON SUCTION TEMPERATURE OF 10 °F AND AN AMBIENT (AIR) TEMPERATURE OF 90 °F
Vogt reserves the right to change designs and specifications without notice





North Star Flake Ice Machines

An efficient and economical choice for cooling purposes. These machines are simple to install and operate with minimal maintenance requirements. Available in sizes from 3 to 53 tons per 24 hours.

STANDARD FEATURES

- Double-walled, stationary evaporator
- Available with either a Stainless steel or solid carbon steel freezing surface
- Safety features include mechanical load limit, emergency stop, jog, inspection hatch safety switches
- Available for shipboard installation to produce seawater ice
- Polyurethane insulation
- Attached accumulator for complete gas liquid refrigerant separation
- Patented drip shield
- Stainless steel water make-up tank and ice removal tools



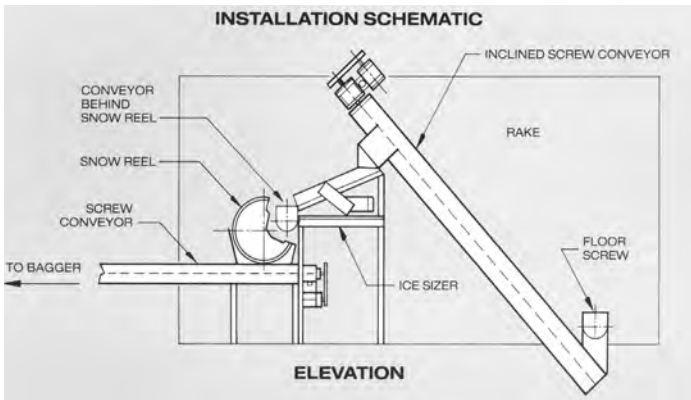
MODEL	MOTOR DRIVE	PUMP	CAPACITY	DIMENSIONS W x L x H	DOMESTIC WEIGHT	EXPORT WEIGHT	VOLUME
5SS/--	1/4 HP 0.19 KW	1/30 HP 0.03 KW	3.0/-- Tons 2.7/-- MT	25"x38"x44" 63.5x96.5x119 cm	550 lbs 250 kg	650 lbs 295 kg	60 ft ³ 1.7 m ³
10SS/CS	1/3 HP 0.25 KW	1/20 HP 0.04 KW	4.7/6.0 Ton 4.3/5.4 MT	32"x48"x45" 81.3x121.9x114.3 cm	1,350 lb 614 kg	1,500 lbs 682 kg	70 ft ³ 2.0 m ³
20SS/CS	1/2 HP 0.38 KW	1/2 HP 0.38 KW	11.4/14.0 Tons 10.3/12.7 MT	56"x83"x51" 142.2x210.8x129.5 cm	3,800 lbs 1,727 kg	4,000 lbs 1,818 kg	240 ft ³ 6.8 m ³
40SS/CS	3/4 HP 0.56 KW	1/2 HP 0.38 KW	19.7/22.8 Tons 17.9/20.7 MT	56"x83"x51" 142.2x210.8x190.5 cm	5,200 lbs 2,364 kg	5,700 lbs 5,700 kg	326 ft ³ 9.2 m ³
60SS/CS	1 HP .75 KW	1/2 HP 0.38 KW	29.8/38.0 Tons 27.0/34.5 MT	76"x107"x81" 193x271.8x205.7 cm	8,100 lbs 3,632 kg	8,500 lbs 3,864 kg	510 ft ³ 14.4 m ³
90SS/CS	1 1/2 HP 1.13 KW	1/2 HP 0.38 KW	41.0/53.5 Tons 37.2/48.5 MT	76"x109"x105" 193x276.9x266.7 cm	10,500 lbs 4,773 kg	11,200 lbs 5,091 kg	645 ft ³ 18.3 m ³

* Capacity in 2,000 pound tons (909 kg) per 24 hours with -25°F (-32°C) evaporator and 60°F (16°C) water supply temperatures, 1/16" (1.5 mm) ice thickness and ammonia refrigerant.





ICE SIZER/ICE STORAGE BINS



Turbo Ice Sizer

Turbo offers an ice sizer that can increase your bag count by significantly reducing snow. Combine this benefit with better product uniformity, yielding more accurate bag weights and improved stacking ability, and you can understand why this way of sizing Turbo ice is very cost effective. Sized ice also works better in drink dispenser applications.

STANDARD FEATURES

- High capacity, up to 1,000 pounds per minute, 52" cutting width
- Rugged construction
- 2 HP slow speed chain drive
- Stainless steel and UHMW construction
- Few moving parts
- Uniform 7/8" blade spacing assures even sizing
- Economical to operate
- Easy to install



Matthiesen 3300# Bin

The 3300 is a great bin and can be modified to handle a number of uses. It is a great surge bin for ice that is to be bagged immediately, or for capturing ice as it comes from a larger Vogt. If used for extended storage, bridging will occur unless additional agitators are added. The height can be extended for larger capacity: adding 20" increases capacity to 4,800 lbs, adding 40" increases capacity to 5,800 lbs.

STANDARD FEATURES

- 12 ga. galvanized construction (Stainless steel available)
- Accepts BF-150 or VLS baggers with bottom hopper removed
- 60" W x 70" L x 60" High
- 1 HP, 45 RPM motor, 4.4 amps
- 230/3/60 (50 HZ available)
- Weight: 700 lbs.





Keith® Walking Floor Ice Storage and Conveying System

Constructed of FDA and USDA approved materials, and custom engineered to meet each application's storage and conveying needs, Keith Ice Systems are designed to conveniently meter ice to your downstream operations. Equipped with a unique vertical comb system, the bin provides an uninterrupted flow of ice. A series of hydraulically powered floor slats convey the ice toward the

comb, where congealed ice is re-fractured and then gently metered forward. The system is capable of being load started and can be designed to handle unlimited tonnage. The system provides a true first-in, first-out product rotation without leaving residual ice in the bin. The ice bin requires no daily maintenance and there are no drag chains or rollers to break down. The patented hydraulic drive unit is easily accessible at all times without the need to empty the bin. With fewer moving parts, this is the most reliable ice storage and conveying system available.

The next Ice Age has arrived.



Tired of checking your ice room every night to make sure a glacier hasn't formed in the middle of your process?

A KEITH® Ice Storage System, with its vertical comb and true First-In-First-Out rotation, lets you sleep easy knowing the next evolution in ice technology is working for you.

Used as a surge bin, the KEITH® Ice Storage System increases overall efficiency by reducing the stopping and starting of other machinery on the line.

- Low Maintenance
- Gentle On Ice • Higher Quality Ice
- No Downtime To Remove Glaciated Ice
- True FIFO Rotation
- Horizontal Metering
- Vertical Comb
- Built to Last
- Superior by Design





ICE STORAGE BINS/RAKES

Matthiesen Live Bottom Bin

Size 5-10 - 15-20 and 30 tons, either stainless or plastic. Heavy duty for years of trouble-free use. Can be shipped assembled.

STANDARD FEATURES

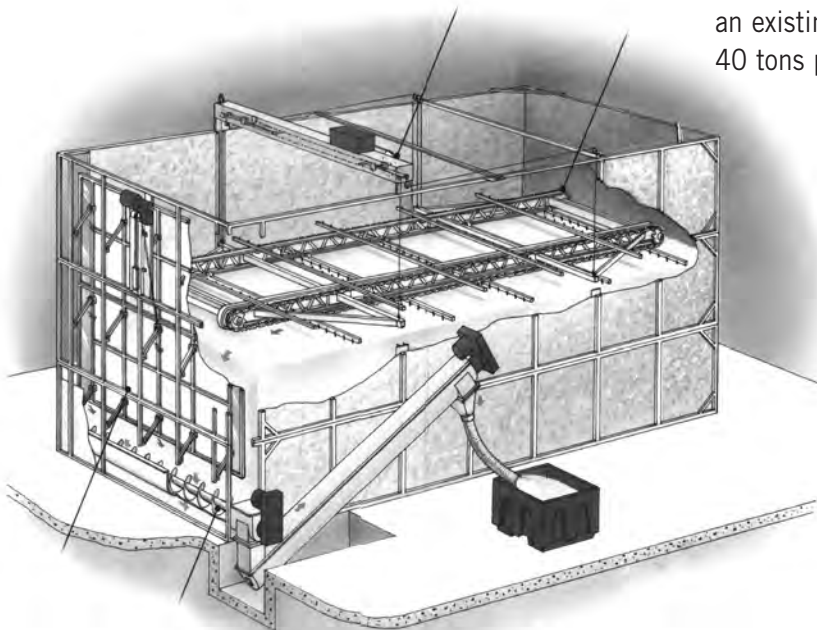
- Galvanized frame (Stainless available)
- Separate motors for floor, rake and screw
- Direct coupling drives
- Solid-state control panel
- 8'W x 13'1"L x 113" to 149"High
- 230/3/60, 16 amps

CALL FOR OPTIONS



North Star Modular Ice Rake Systems

Modular rake systems are designed to fixed length and width dimensions with variable wall heights in four-foot increments. They can be installed as a freestanding unit in an existing refrigerated room. The maximum delivery rate is 40 tons per hour.





Custom Built Patkol Rakes – Call for us to help you design the size you need for your plant.



STANDARD FEATURES

- Storage capacities range from 10-150 tons of ice.
- Convenient and suitable – designed for any ice plant.
- All ice contact surfaces are stainless steel, plastic or galvanized.
- Rakes are designed to decrease contamination to the ice.
- The automatic working system and controller system link to packing machine and conveyor system from ice storage to packing processing to assure reliability and ease of use.





Magliner Gemini Convertible Hand Trucks

A 2-in-1-truck. It converts from 2 wheels to 4 wheels in seconds. Same Magliner quality.

- Lightweight aluminum
- 1,000 lb. capacity

Specifications	Gemini Jr. HTGK 1834	Gemini Sr. HTGK 9584
Overall width	21"	21"
Frame width	12"	12"
Overall length, 4-wheel	47.5"	55.75"
Height, as hand truck	51"	61"
Height, as platform truck	40"	45.125"
Platform bed length	38"	51"
Capacity, as hand truck	500 Lbs.	500 Lbs.
Capacity, as platform truck	1,000 Lbs.	1,000 Lbs.
Platform height from floor	10.5"	10.5"
Hand Truck Wheels (<i>pneumatic</i>)	10" x 3.5"	10" x 3.5"
Casters (<i>standard swivel</i>)	5" x 1.25"	5" x 1.25"
Nose (cast Aluminum)	18" x 7.5"	18" x 7.5"
Shipping weight	44 Lbs.	45 Lbs.

See our web site for complete information on Route Distribution Solutions and equipment choices.



Gemini® Jr.



Gemini® Sr.

Magliner Curb Ramp

A light, 8 lb., portable solution to getting over curbs.

STANDARD FEATURES

- Made of engineered plastic
- 27" x 27"
- For up to 8" rises
- Capacity 600 lbs
- Aggressive, non-skid surface for secure footing
- Open surface to allow debris to pass through
- Strong and durable

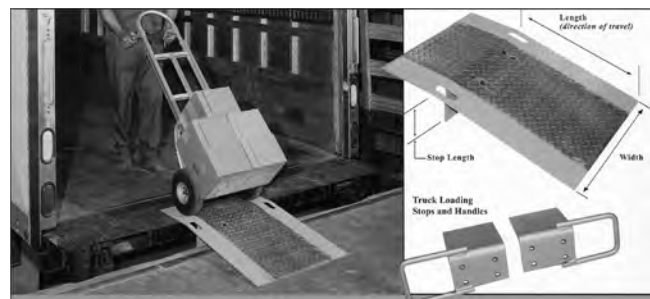
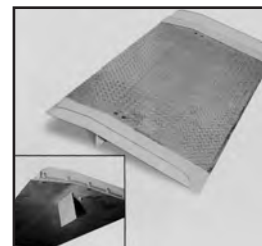


Magliner Steel Dockboards and Aluminum Dock Plates

The steel dockboards are heavy duty with 3" steel channel side curbs. See chart for sizes and capacities. The dock plates are lightweight aluminum with two hand holes for easy and convenient handling.

STANDARD FEATURES

- 11-degree bend angle for wide service range
- 11" apron with machine beveled entry and exit edges
- Tread plate surface
- High visibility, yellow painted edges





By



Sanchez
Refrigeration Equipment Sales, Inc.

ICE BUDDY SELF CONTAINED DROP-IN REFRIGERATION SYSTEMS

MAXIMUM BTUs:

- lowest temperatures
- maximum cold air flow



100% COPPER REFRIGERATION LINES

CORROSION RESISTANT ALUMINUM FINNS

STAINLESS STEEL DOORS

MAXIMUM INSULATION 50% MORE

All Ice Buddy cabinets have 3" of polyurethane insulation in top & bottom - KEEPS THE COLD IN



ELIMINATES FIELD REPAIRS

Keep an extra Ice Buddy D-In unit on hand and eliminate costly field repairs. The change out is simple and easy.

Call Today For More Information on the Full Line of High Quality Ice Buddy Merchandisers.



Sanchez Refrigeration Equipment Sales, Inc. • 21582 Halstead Drive, Boca Raton, FL 33420 • 800-847-7704 • 561-883-3392 • Fax 561-883-3393





Ice Buddy Made for Export



420 AD
Shown assembled.

Ice Buddy works for you

- Single or double doors available
- Glass door or stainless steel door
- Drop-in refrigeration
- Solid
- Reliable
- Efficient
- All-in-one body design

Ice Buddy maximizes your shipping dollar

- Twice as many boxes fit into
a 45' shipping container



Pictures show merchandisers
laying down for
shipping and ready to be
stacked into container.





**“ICE BUDDY”
Ice Merchandisers by Sanchez
Refrigeration**

Designed to be the best in the industry, the ICE BUDDY has been designed with the iceman in mind. Drop-in refrigeration systems eliminate the need for a refrigeration mechanic to go onsite to make repairs. Cabinet tops and bottoms have an extra inch of foamed-in-place polyurethane insulation for a total of 3 inches. All walls have 2 inches of polyurethane insulation. Models range from 30 to 100 cubic foot capacity with either solid or glass doors. 115 volt.

STANDARD FEATURES

- Total steel cabinet construction
- Foamed-in-place polyurethane insulation
- Extra value insulation (3 inches) in cabinet tops and bottoms, 2 inches in walls
- High performance polyester finish plus a full range of contemporary colors
- Embossed aluminum doors with roll-in magnetic gaskets to assure a tight seal
- Sealed, balanced, trouble-free R22 refrigeration systems
- Five-year compressor warranty
- Large embossed doors assure easy access
- All upright models equipped with automatic door closers
- Triple pane or double pane “Super E” safety glass doors with matching trim and automatic door closers on all hinges
- Full top enclosures with slip-in signage
- Optional finishes include wood grains and contemporary colors



380 AD



600 AD

Ice Merchandiser				Outside Dimensions			Solid Door	Approx. Wt.		Refrigeration	Amperage	
Models	No. of Doors	Capacity		Width	Depth	Height	Width X Height	Cold Wall	Auto Def.	Compressor	Cold Wall	Auto Def.
		Cu. Ft.	Bags (8 lbs.)									
300CW 300AD	1	30	100	36"	30"	77"	26" X 44"	290	300	1/4 hp	4.5	4.8
600CW 600AD	2	60	200	72"	35"	70"	27" X 27"	410	420	1/3 hp	6	6.3





MERCHANDISERS



300 AD



850 AD



420 AD



650 AD



1000 AD



570VTAD

Ice Merchandiser		Outside Dimensions			Solid Door	Approx. Wt.	Refrigeration		Amperage			
Models	No. of Doors	Capacity		Width	Depth	Height	Width X Height	Cold Wall	Auto Def.	Compressor	Cold Wall	Auto Def.
		Cu. Ft.	Bags (8 lbs.)									
300CW 300AD	1	30	100	36"	30"	77"	26" X 44"	290	300	1/4 hp	4.5	4.8
380CW 380AD	1	38	120	48"	35"	70"	27" X 27"	335	340	1/4 hp	4.5	4.8
420CW 420AD	1	42	125	48"	30"	77"	26" X 44"	340	350	1/4 hp	4.5	4.8
630CW 630AD	1	65	200	60"	35"	77"	26" X 44"	400	410	1/3 hp	6	6.3
600CW 600AD	2	60	200	72"	35"	70"	27" X 27"	410	420	1/3 hp	6	6.3
650CW 650AD	2	65	200	72"	30"	77"	26" X 44"	440	450	1/3 hp	6	6.3
850CW 850AD	2	85	255	84"	35"	77"	26" X 44"	560	570	1/2 hp	10	11
1000CW 1000AD	2	100	320	94"	35"	77"	26" X 44"	585	595	1/2 hp	10	11
400VCW 400VTAD	2	40	120	72"	35"	49"	27" X 27"	450	460	1/3 hp	6	6.3
570VCW 570VTAD	3	60	190	94"	35"	49"	27" X 27"	490	500	1/3 hp	6	6.5



630 AD





300 ADG



420 ADG



650 ADG



850 ADG



1000 ADG



630 ADG

Ice Merchandiser		Outside Dimensions			Glass Door	Approx. Wt.	Refrigeration	Amperage				
Models	No. of Doors	Capacity		Width	Depth	Height	Width X Height	Cold Wall	Auto Def.	Compressor	Cold Wall	Auto Def.
		Cu. Ft.	Bags (8 lbs.)									
300CWG 300ADG	1	30	100	36"	30"	77"	26" X 44"	330	340	1/4 hp	4.5	4.8
420CWG 420ADG	1	42	25	48"	30"	77"	26" X 44"	380	390	1/4 hp	4.5	4.8
630CWG 630ADG	1	65	200	60"	35"	77"	26" X 44"	465	475	1/3 hp	6	6.3
650CWG 650ADG	2	65	200	72"	30"	77"	26" X 44"	560	570	1/3 hp	6	6.3
670CWG 670ADG	2	65	200	60"	35"	77"	26" X 44"	560	570	1/3 hp	6	6.3
850CWG 850ADG	2	85	255	84"	35"	77"	26" X 44"	630	640	1/2 hp	10	11
1000CWG 1000ADG	2	100	320	94"	35"	77"	26" X 44"	660	670	1/2 hp	10	11

Product improvement may require specifications to change without notice • Weights are crated weights

Add 3" for door and handle on upright models • Storage capacity may vary depending on loading methods and ice bags



Baldor Electric Company

Get introduced to the industry's broadest line of energy-efficient electric motors and adjustable speed drives.

Premium Efficiency Super-E Motors are designed to conserve energy over extended time periods. These premium efficiency designs are available in both Totally Enclosed Fan Cooled and Open Drip Proof construction. All three phase motors are Inverter Ready per NEMA Standard MG1, Part 31.4.4.2. This means the motors in 230 and 460 volts meet NEMA's corona inception voltage requirements, under this Standard, and can withstand peak voltages of up to 1600 volts. Motors having premium efficiency are also available in single phase designs.

BALDOR



Baldor AC Gearmotors are available in a wide variety of torques ranging from 15 to 627 in-lbs in both right angle and parallel shaft designs with industry standard mounting configurations. The Right Angle single reduction units feature an Internal Expansion Bladder and Mobil® SHC634 Synthetic oil for long maintenance free operation. The Internal Expansion Bladder keeps the lubrication free of contaminants by eliminating the need to vent the gearbox and allows all position mounting. This feature is exclusive to Baldor.

STANDARD FEATURES

- 1.15 service factor
- 3600, 1800 and 1200 RPM available
- Cast iron frames
- TEFC enclosures
- Premium ball or roller bearings
- CSA Certified, ISO9001, CE Mark

350	1.60	327
175	1.40	654

RPM	Service Factor	Output Torque In. Lbs.	Max. Overhung Load Rating	Ratio	NEMA Input	Catalog Number	List Price	Mult. Sym.	Ap'x. Shpg. Wgt.
TEFC, 1 Phase 115/230 Volt									
350	1.60	327	750.0	5:1	140TC	GF0521BGA20	1152	DS	84
175	1.40	654	1000.0	10:1	140TC	GF1024BGA20	1237	DS	89
117	1.30	950	1100.0	15:1	140TC	GF1526BGA20	1327	DS	104
88	1.10	1216	1100.0	20:1	140TC	GF2028BGA20	1327	DS	104
70	1.40	1423	1300.0	25:1	140TC	GF2530BGA20	1558	DS	117
58	1.20	1608	1300.0	30:1	140TC	GF3030BGA20	1558	DS	117
44	1.10	2160	1500.0	40:1	140TC	GF4032BGA20	1631	DS	138
35	1.30	2305	2000.0	50:1	140TC	GF5038BGA20	1841	DS	175
29	1.20	2508	2000.0	60:1	140TC	GF6038BGA20	1841	DS	175
TEFC, 3 Phase, 230/460 Volt									
350	1.60	327	750.0	5:1	140TC	GF0521BGB20	808	DS	77
175	1.40	654	1000.0	10:1	140TC	GF1024BGB20	893	DS	82
117	1.30	950	1100.0	15:1	140TC	GF1526BGB20	982	DS	97
88	1.10	1216	1100.0	20:1	140TC	GF2026BGB20	982	DS	97
70	1.40	1423	1300.0	25:1	140TC	GF2530BGB20	1213	DS	110
58	1.20	1608	1300.0	30:1	140TC	GF3030BGB20	1213	DS	110
44	1.10	2160	1500.0	40:1	140TC	GF4032BGB20	1267	DS	129
35	1.30	2305	2000.0	50:1	140TC	GF5038BGB20	1497	DS	168
29	1.20	2508	2000.0	60:1	140TC	GF6038BGB20	1497	DS	168
TENV, DC SCR, 180 Volt									
350	1.60	327	750.0	5:1	140TC	GF0521BGD20	2099	DS	109
175	1.40	654	1000.0	10:1	140TC	GF1024BGD20	2185	DS	114
117	1.30	950	1100.0	15:1	140TC	GF1526BGD20	2274	DS	129
88	1.10	1216	1100.0	20:1	140TC	GF2026BGD20	2274	DS	129
70	1.40	1423	1300.0	25:1	140TC	GF2530BGD20	2505	DS	142
58	1.20	1608	1300.0	30:1	140TC	GF3030BGD20	2505	DS	142
44	1.10	2160	1500.0	40:1	140TC	GF4032BGD20	2578	DS	161



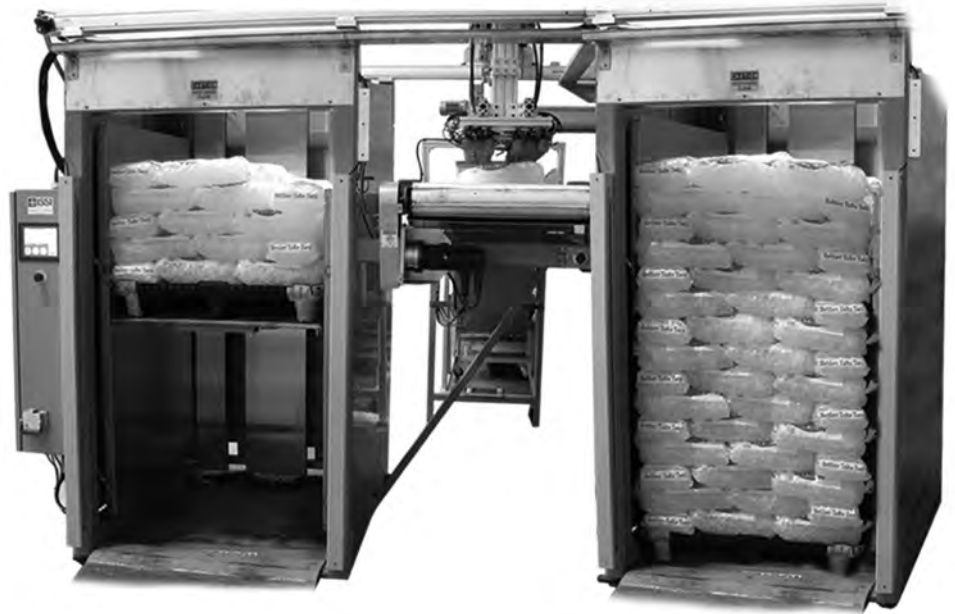


ISSI Evolution Palletizer

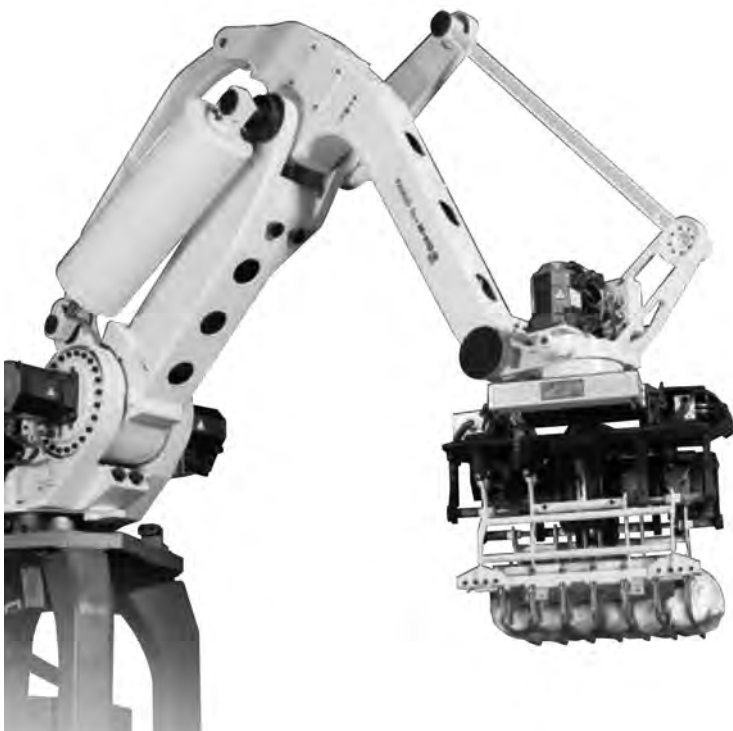
With the experience of installing and servicing over 40 palletizers for Ice Men, we know your challenges. Based on our extensive knowledge, we felt we could make the ultimate palletizer ONLY if we developed it ourselves. Thus the Evolution was born! The only palletizer built for all of the rigors and challenges palletizing presents to the Ice Man.

STANDARD FEATURES

- Low life cycle cost, very economical
- Versatile, handles all product sizes
- Palletizes up to 48 bags per minute on loose 7 to 10 lb bags
- Palletizes up to 40 bags per minute on loose 16 to 20 lb bags
- Palletizes up to 30 bags per minute on large bags and bales
- Change over to a different bag size in minutes, no tools required



- Will integrate with existing or new installations
- Simple, reliable design
- Very heavy duty and durable
- Small footprint and only 109" tall
- Touch screen controlled



JMC Robotic Ice Palletizing Systems

JMC turnkey Robotic Ice Palletizing Systems - Flexibility and Performance.

STANDARD FEATURES

- Palletizes baled and bulk ice products
- Neatly stacks bags and bales for efficient use of warehouse space
- Handles up to three JMC Master Ice Balers
- Offering solutions for all budgets
- Will stack both bulk bags and bales at the same time
- Reduces labor costs
- Increases productivity
- Improves response time
- Ensures a safer work environment



AMT Heavy Duty Straight Centrifugal Pumps

AMT Heavy Duty Straight Centrifugal pumps are suited for liquid and chemical transfer, heating and cooling, recirculation, booster service and other industrial applications. Stainless Steel units are especially effective in applications where rust and/or corrosion can develop in systems. Semi-open impeller features self-cleaning ability that makes the unit useful in applications involving muddy or dirty liquids, as well as clean, clear fluids. Discharge position can be adjusted in 90° increments, with vent and drain plugs for all positions. Type 21 mechanical seal and O-ring casing seal. Pumps are close coupled to Totally Enclosed Fan Cooled motors (TEFC) Pumps are not self-priming and require flooded suction.

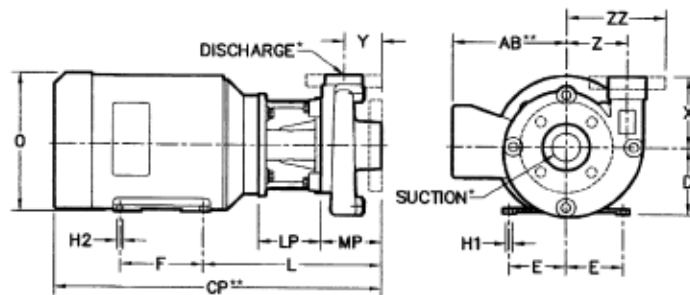
AMT Heavy Duty Straight Centrifugal pumps are reliable, cost effective and low maintenance. Many are readily available "Off-the-Shelf" for fast 24 hour shipment. For use with non-flammable liquids compatible with pump component materials.

STANDARD FEATURES

- Stainless steel, naval bronze & cast iron construction
- Buna-N or Viton® mechanical seal and O-rings
- Stainless steel hardware
- NEMA TEFC single and three phase motors depending on the model
- Stainless steel motor shaft
- Self-cleaning impeller
- Discharge rotates in 90° increments
- Maximum working pressure to 150 psi
- Max. Temperature 200°F (Viton®), 180°F (Buna-N)
- Optional seal wash port and hose is available on all models



Heavy Duty Straight Centrifugal Pumps



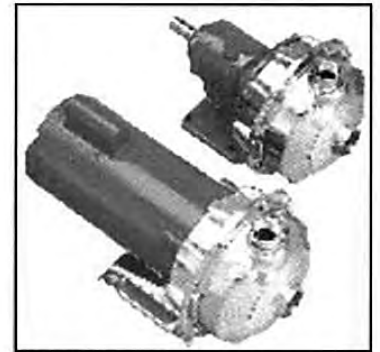
Pump Dimensional & Specification Chart

Model No.	Curve	HP	PH	Frames	ENG	Voltage @ 60 Hz	Full Load Amps	Connect Type	SUC*	DIS*	AB**	CP**	D	E	F	H1	H2	L	LP	MP	O	X	Y	Z	Ship Weight (Lbs)			
																									ZZ	# -04	XCI -06	ESS -08
3150	H	2	3	145JM	TEFC	230/460	6/3	NPT	2"	1-1/2"	5.1	17.6	3.5	2.8	5.8	0.3	0.3	10.4	4.1	4.0	7.1	4.8	2.5	4.0	MA	76	78	89
3151	G	3	3	162JM	TEFC	230/460	8/4	NPT	2"	1-1/2"	7.5	21.6	4.5	3.6	4.5	0.4	0.4	12.7	4.1	4.0	9.3	4.8	2.5	4.0	MA	90	96	83
3152	F	5	3	164JM	TEFC	230/460	12/9	NPT	2"	1-1/2"	7.5	21.6	4.5	3.6	5.5	0.4	0.4	11.8	4.1	4.0	9.3	4.8	2.5	4.0	MA	104	108	106
3154	G	3	3	162JM	TEFC	230/460	8/4	FLG	2"	1-1/2"	7.5	21.6	4.5	3.6	4.5	0.4	0.4	12.7	4.1	4.0	9.3	4.8	2.5	4.0	MA	N/A	106	N/A
3155	F	5	3	164JM	TEFC	230/460	12/9	FLG	2"	1-1/2"	7.5	21.6	4.5	3.6	5.5	0.4	0.4	11.8	4.1	4.0	9.3	4.8	2.5	4.0	MA	N/A	117	N/A
3156	H	2	1	56J	TEFC	115/230	22/11	NPT	2"	1-1/2"	4.6	17.7	3.5	2.4	3.0	0.9	0.3	8.8	2.0	4.0	6.7	4.8	2.5	4.0	MA	65	65	65
3157	H	2	3	56J	TEFC	230/460	6/3	NPT	2"	1-1/2"	4.6	17.7	3.5	2.4	3.0	0.9	0.3	8.8	2.0	4.0	7.1	4.8	2.5	4.0	MA	64	64	64
3158	G	3	1	36J	TEFC	230	16	NPT	2"	1-1/2"	4.6	17.7	3.5	2.4	3.0	0.9	0.3	8.8	2.0	4.0	6.0	4.8	2.5	4.0	MA	75	75	75
3159	G	3	3	56J	TEFC	230/460	8/4	NPT	2"	1-1/2"	4.9	18.1	3.5	2.4	3.0	0.9	0.3	8.8	2.0	4.0	7.1	4.8	2.5	4.0	MA	74	74	74
315E	F	5	1	164JM	TEFC	230	16	NPT	2"	1-1/2"	8.6	24.1	4.5	3.7	5.5	0.4	0.4	11.7	4.1	4.0	9.3	4.5	2.5	4.0	MA	128	123	121
4240	C	7.5	3	164JM	TEFC	230/460	22/11	NPT	2"	1-1/2"	7.5	21.4	4.5	3.6	5.5	0.4	0.4	11.5	3.5	4.4	9.3	5.9	3.4	3.8	MA	195	195	198
4250	B	10	3	215JM	TEFC	230/460	26/13	NPT	3"	2"	8.3	26.0	5.3	4.3	7.8	0.4	0.4	11.7	3.5	4.5	10.9	5.0	2.8	4.8	MA	173	173	178
4251	A	15	3	215JM	TEFC	230/460	47/24	NPT	3"	2"	8.3	26.0	5.3	4.3	7.8	0.4	0.4	12.5	3.5	4.5	10.9	5.0	2.8	4.8	MA	190	190	195
4260	E	7.5	3	164JM	TEFC	230/460	22/11	NPT	3"	3"	7.5	22.4	4.5	3.6	5.5	0.4	0.4	12.5	4.1	4.8	9.3	6.5	2.8	4.5	MA	N/A	122	117
4261	D	10	3	215JM	TEFC	230/460	26/13	NPT	3"	3"	8.3	26.9	5.3	4.3	7.8	0.4	0.4	12.5	4.1	4.8	10.9	6.5	2.8	4.5	MA	N/A	180	186

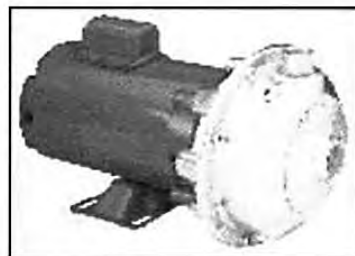
(*) Standard NPT (female) pipe thread.
 (**) This dimension may vary due to motor manufacturer's specifications.
 (+) 3-Phase motors can also operate on 50 Hz. (This will change the Full Load Amps, Service Factor and RPM)
 NOTE: Dimensions have a tolerance of ±1/8".
 NOTE: Electric supply for ALL motors must be within ±10% of nameplate voltage rating (Ex. 230V ±10% = 207 to 253)
 NPT = Threaded, FLG = Flanged (125 Lb)

G & L Goulds Pumps

We are an Authority on G & L Goulds Pumps. The gold fever of the mid-1800's and the mass exodus west was the inspiration for Seabury Gould to produce all-iron pumps that played major roles in the rail industry of the time. Today G & L Goulds pumps span a large variety of specializations and applications. The company is a part of the ITT fluid technology. Various brands under the Goulds umbrella are PumpSmart, A-C Pump, and ProServices.



NPE Stainless Steel End



NPO Stainless Steel



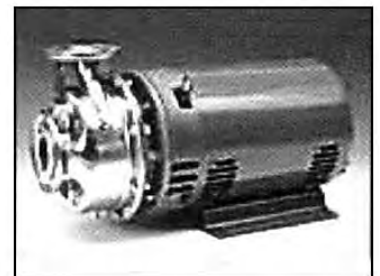
MCS End Suction SS



LB Booster Pump



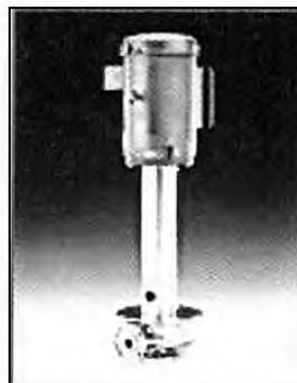
3657/3757



SSH



ICS/ICSF



SHV and NPV Vertical



SVI Vertical Stainless



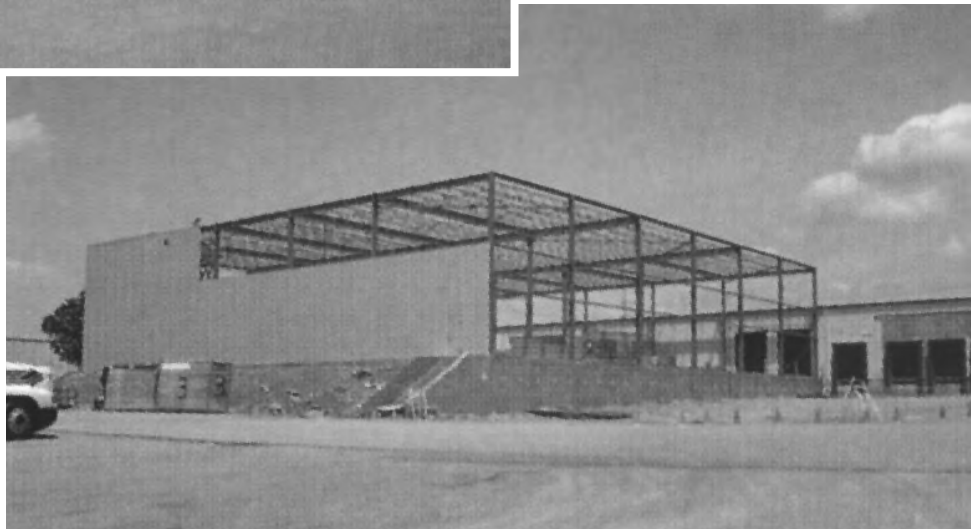


REFRIGERATED BUILDINGS



Master-Bilt Refrigerated Warehouses

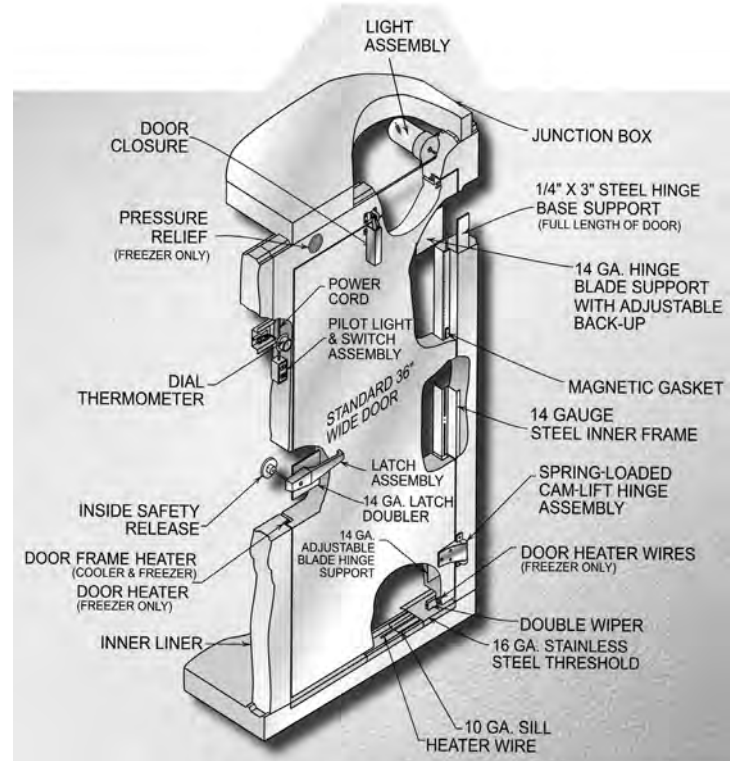
Master-Bilt offers the most complete packages available for refrigerated warehouses. All structures are designed to your exact specifications. Pour type, foamed-in-place panels come in 4" (R-33), 5" (R-42) and 6" (R-50) thicknesses. Cam-lock panel connectors permit fast, easy erection and leak resistant panel-to-panel seams. Interior refrigerated warehouse roofs can be either self-supported or suspended depending on your needs. Roofs for outdoor warehouses have three support options: beam and bar joist, beam and plate suspension and bar joist and column construction. Master-Bilt offers "one-stop" convenience by matching refrigeration systems to any warehouse requirement.





Master-Bilt Walk-in Coolers and Freezers

Master-Bilt walk-ins are custom made to fit any temperature situation. There is an unlimited range of sizes available with a minimum size of 6' x 6'. These walk-ins meet high criteria for strength and durability. Master-Bilt offers a wide range of options for interior and exterior finishes and doors. Available with or without a refrigeration system. All are UL listed and meet Factory Mutual approvals.



Kramer Refrigeration System Air-Cooled Condensing Units

STANDARD FEATURES

- Rigid assembly for roof, pad or rail mounting
- 4 to 40 HP have 10 ga. galvanized steel base
- 54 to 70 HP have structural steel base
- Aluminum waterproof housings
- Copeland Semi-hermetic compressors
- High performance condensers
- Replaceable core, liquid line filter/dryer
- Suction and discharge line vibration eliminator
- Receiver with service valves and pressure safety
- Very customizable
- UL and C-UL Listed



SIZE 0400 - 1200

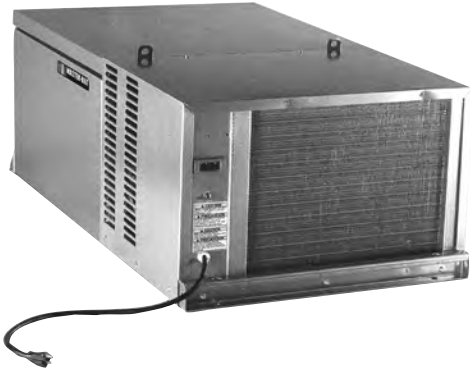


SIZE 1500 - 7000





REFRIGERATION SYSTEMS

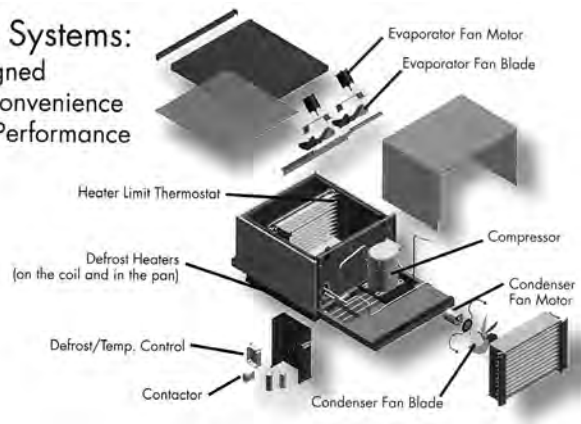


The evaporator section mounts flush in the standard 4"-thick ceiling panel.

Master-Bilt Packaged Refrigeration Systems (PRS)

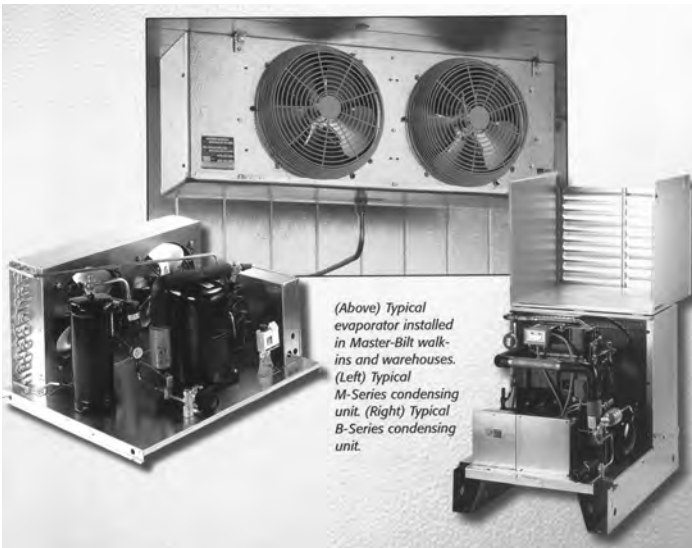
The PRS refrigeration system consists of a condensing unit and refrigeration coil assembled together in one package. Everything is ready to mount in the top of your freezer or cooler. **The evaporator section mounts flush in the standard 4"-thick ceiling panel.** Installation is easy because there is no piping of other components to field install. Units are available from 1/4 to 2-1/2 HP.

PRS Systems:
Designed for Convenience and Performance



Master-Bilt Refrigeration Systems

Depending on your ice maker or warehouse requirements, Sanchez refrigeration will engineer the perfect match, from simple 1/2 horsepower systems to the most complex multi-unit systems.



(Above) Typical evaporator installed in Master-Bilt walk-ins and warehouses. (Left) Typical M-Series condensing unit. (Right) Typical B-Series condensing unit.

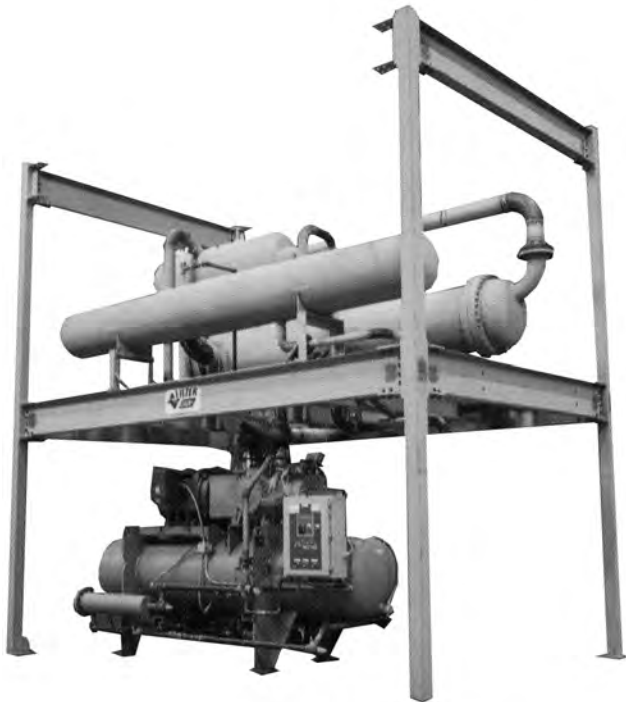




Vilter Refrigeration Systems

With a history that dates back more than 135 years, Vilter is the name to rely on for dependable, high-performance refrigeration. Their products include a complete line of compressors, condensers, heat exchangers and related equipment to solve any refrigeration challenge. You'll find Vilter equipment used throughout the world, from the smallest cold storage room to huge food processing operations.

And Vilter is a name that stands for quality. From initial design and engineering to techniques and materials used for product assembly, Vilter's exacting standards of craftsmanship combine tradition and technology.





REFRIGERATED TRANSPORTERS/ROTATING TABLE



Sanchez "Ice Buddy" Transport Trailer & Refrigerated Transports

Custom designed by Sanchez Refrigeration to specifications that will meet the demanding packaged ice industry, the 10,000 lbs. capacity trailer can be matched to any refrigerated transport unit, (shown with Sanchez designed refrigerated transport). The 4' x 8' unit for pick-up trucks is designed to hold over 500 8lb. bags.



Matthiesen Rotating Table

The rotating table is a versatile piece of equipment for a manual stacking operation. It allows bags to accumulate as they come off a conveyor permitting more time for stacking or multiple stacking positions from a high-speed bagging operation. The tabletop diameter is 47" (54" optional) and is constructed of FDA approved UHMW. 12 rpm, 115 volt, 1/10 HP.

FEATURES

- Adjustable height from 18" to 32"
- Galvanized steel frame
- Table top constructed of FDA approved UHMW





Defender LP Low Profile Wrapping Machine

Designed for safety and built tough for trouble free operation.

STANDARD FEATURES

- EZ-Load carriage for quick and safe roll changes
- Enclosed tower to eliminate pinch points
- User friendly controls
- Steel plate turntable and surround
- Lifetime guarantee on pre-stretch rollers
- Solid state controls
- Forklift portable from front and back
- 3 year machine warranty
- Compact footprint
- Load-cell controlled corner compensation

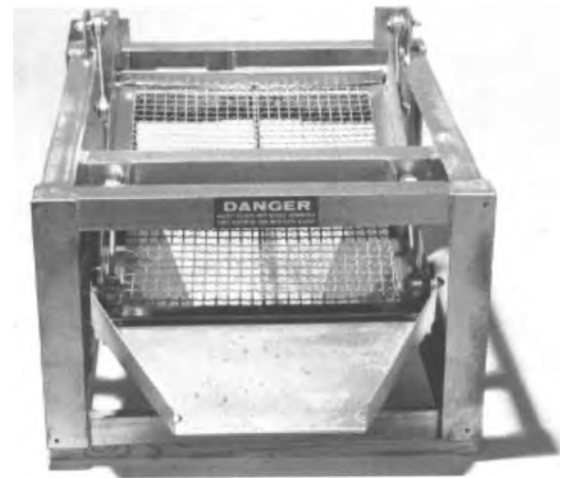


Matthiesen Shaker (Available models: 44-S, HD)

This is a very reliable and compact way to remove snow for your production line. 230-volt (model 44-S shown).

STANDARD FEATURES

- Overall size: 27" x 31" x 16" high (44-S), 39" x 50" x 26" high (HD)
- Screen area: 19" x 24" (44-S), 29" x 36" (HD)
- Chute size: 11" wide (44-S), 21" wide (HD)
- Galvanized construction (Stainless steel optional)
- 7/16" standard mess size

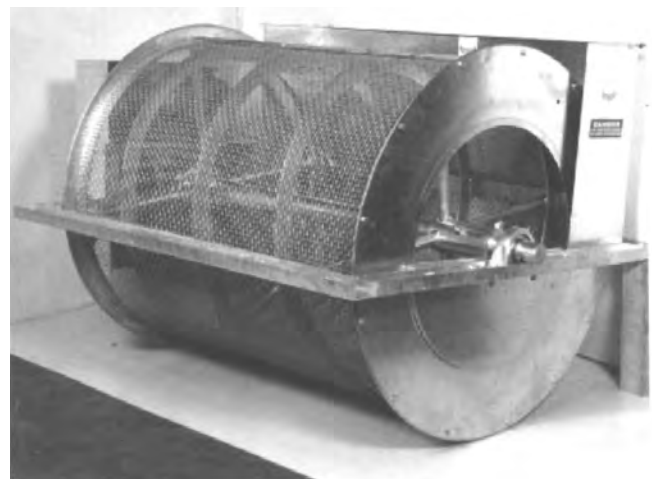


Matthiesen Rotary Snow Removal System

This is one of the most efficient ways to remove snow prior to bagging. A rotary system can also be used to size ice. By using the 6-foot length, snow removal and sizing can be done in one operation. Maintenance is very minimal. 230-volt, various rpms, depending on your application.

STANDARD FEATURES

- Stainless steel or galvanized construction
- 3-foot diameter
- 3, 4, 5, and 6-foot standard lengths
- 7/16" screen size (other sizes available)
- Balanced for minimal vibration

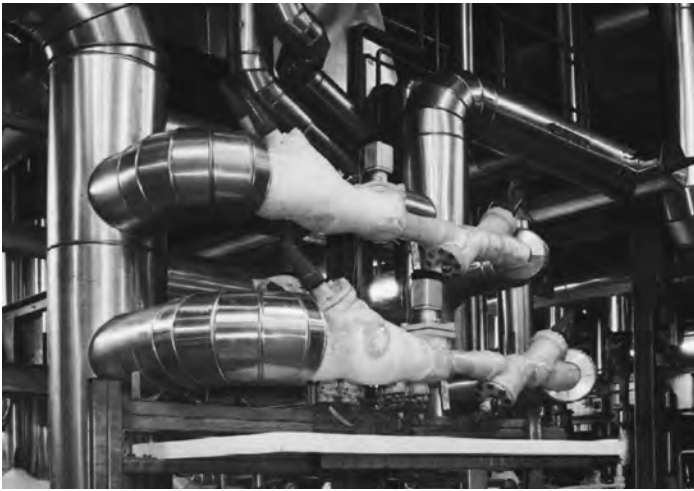




SUPPLY VALVES

Supplies

Sanchez Refrigeration specializes in wire for Hamer bag closers and wire ties for manual bag closing. Call (386) 597-6381 for immediate shipment.

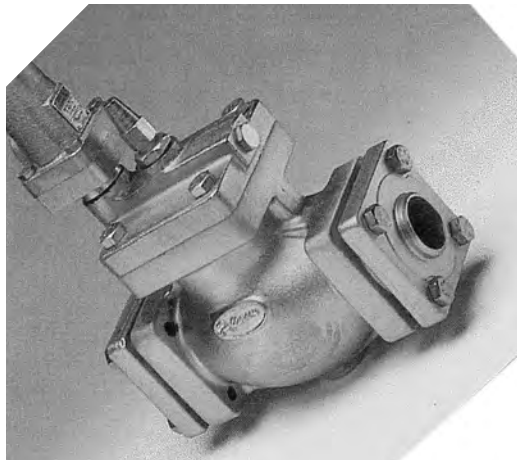
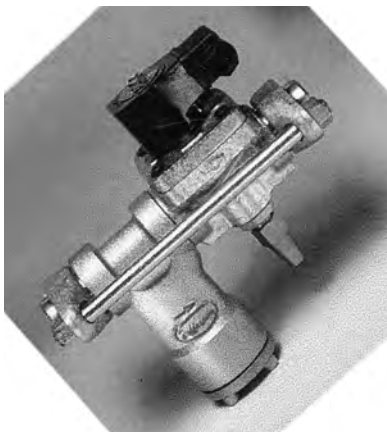
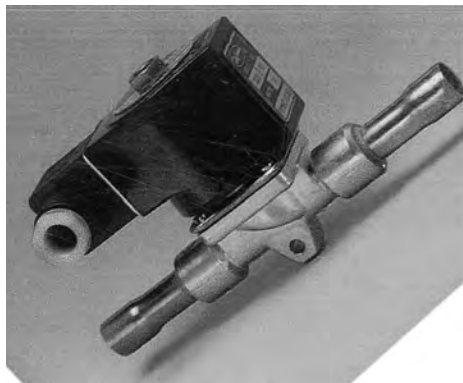


Danfoss

Automatic controls for industrial refrigeration systems.

Jefferson Valves

Jefferson is a leading manufacturer of a complete line of high quality solenoid valves and level controls. With over 3,000 products in their product line, they have valves for all types of refrigerants and for most every application. In business for over 50 years, Jefferson is ISO9001 certified and approved by UL and CSA.





Patkol Riple Plate Chiller

Chilling water from 35°C (95°F) to 0.5°C (33°F) instantly and continuously at any required rate of flow. Chilling any liquid to within approximately 0.5°C (33°F) off freezing point of the liquid

The patented riple circuit provides a 'spinning' action to all liquid or gas flows. This spinning action wets the total heat exchange surface, not just the lower portion of a tube, and ensures a turbulent flow which increases heat exchange efficiency

FEATURES

- Compact
- Highly efficient - saving energy
- Approximately 30% weight of shell & tube chillers
- Cannot be damaged by freeze up
- All stainless steel - more durable and completely cleanable
- Friendly operation
- Environment concern option fro refrigerations



Water Improvement Systems

Sanchez supplies the water treatment industry with one of the largest product inventories available. Sanchez builds both standardized systems that can be quickly adapted to your requirement and custom to customer specifications. Sanchez offers water softeners, deionizers, filters, high output R.O., ozonation, ultraviolet and other systems. Because certain water treatment equipment can be harmful if not installed or used properly, a trained water treatment professional should be consulted.





WATER TREATMENT

Goldenrod Water Treatment

Goldenrod technology prevents the buildup of scale deposits in aqueous systems.

FEATURES

- Provides cleaner, chemical-free equipment operation
- Discourages mold and slime buildup
- Easy to install and maintain
- Allows for better heat transfer resulting in reduced energy costs
- Eliminates costly filter cartridge replacements
- Reduces or eliminates the use of chemicals
- Better heat transfer and lower head pressures
- Reduces maintenance costs
- Industrial applications up to 8"
- Flow rates to 1,200 GPM



U.S. Patents:
#5,522,992
and #5,814,221

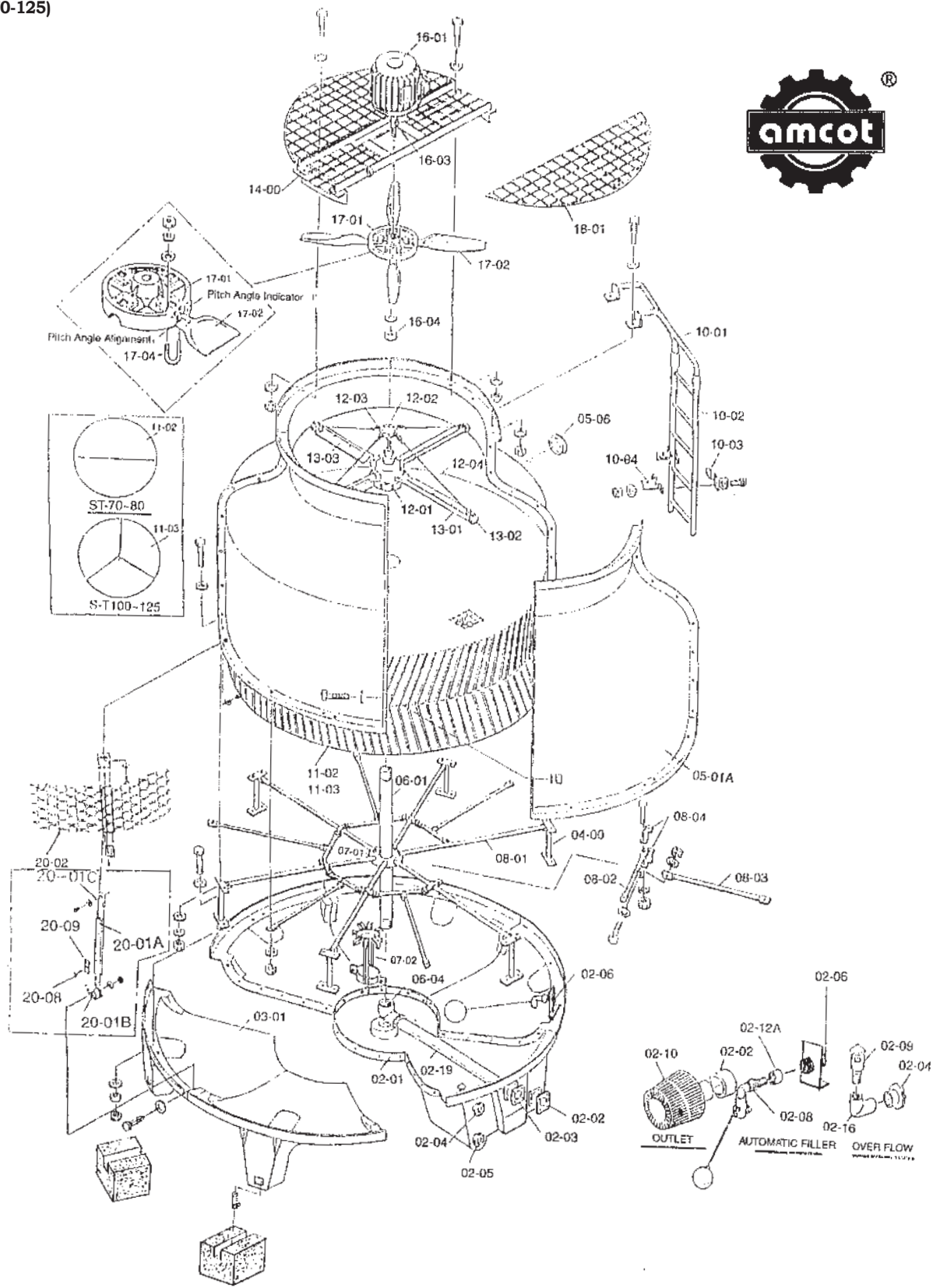
System Applications	Model No	Maximum G.P.M	List Price
Ice Mach./Cooling	W05	13	\$470
Ice Mach./Cooling	W09	25 ✓	\$525
Coffee/Ice/Cooling	W065	3.5	\$325





Amcot Cooling Tower Corporation

(Model ST-70-125)





PARTS

Model ST-70-125 Parts Table



REF NO.	DESCRIPTION	QTY		
		ST 70-80	ST 100	ST 125
02-01	Water Sump	1	1	1
02-02	Outlet Nozzle	1	1	1
02-03	Inlet Nozzle	1	1	1
02-04	Over Flow Nozzle	1	1	1
02-05	Drain Nozzle	1	1	1
02-06	Automatic Filler Plate	1	1	1
02-08	Float Valve Ass'y	1	1	1
02-09	Over Flow	1	1	1
02-10	Suction Strainer	1	1	1
02-12A	Connector Pipe	1	1	1
02-16	Elbow	1	1	1
02-19	Inlet Pipe	1	1	1
03-01	Water Basin	5	5	5
04-00	Casing Supporter	6	6	6
05-01A	Casing	4	6	6
05-06	Hand Hole Cover	1	1	1
06-01	Stand Pipe	1	1	1
06-04	Stand Pipe Base	1	1	1
07-01	Stopper	2	2	-
07-02	Column	-	-	2
08-01	Filling Supporter-A	6	6	6
08-02	Filling Supporter-B	6	6	6
08-03	Filling Supporter-C	6	12	12
08-04	Filling Supporter-Clamping Band	12	12	12
10-01	Ladder (A Sec.)	1	1	1
10-02	Ladder (B Sec.)	1	1	1
10-03	Ladder Bracket-A	2	2	2
10-04	Ladder Bracket-B	2	2	2
11-02	Filling(1/2 Sec.)	2	-	-
11-03	Filling (1/3 Sec.)	-	6	6

REF NO.	DESCRIPTION	QTY		
		ST 70-80	ST 100	ST 125
12-01	Sprinkler Head 1	1	1	
12-02	Center Post	1	1	1
12-03	Turnbuckle	4	4	4
12-04	Tension Wire	4	4	4
13-01	Sprinkler Pipe	4	4	4
13-02	End Cap	4	4	4
13-03	Eliminator	4	4	4
14-00	Motor Frame Ass'y	1	1	1
16-01	Fan Motor	1	1	1
16-03	Fan Key	1	1	1
16-04	Fasten Nut	1	1	1
17-01	Fan Hub	1	1	1
17-02	Fan Blade	3	4	4
17-04	U-Bolt (Fan Blade)	6	8	8
18-01	Fan Guard	2	2	2
20-01A	Louver Suporter	8	12	12
20-01B	Down Plug	8	12	12
20-01C	Up Plug	8	12	12
20-02	Inlet Louver	8	12	12
20-08	Wing Bolt	16	24	24
20-09	Plastic Washer	16	24	24
OTHERS	Bolts & Nut		1 Set	
WATER BASIN SEALING MATERIAL				
A	Fiberglass	1Set		
B	Polyester Resin	1Keg		
C	Catalyst	1Bottle		
*Please Check The Above Mentioned Parts Within Two Weeks After The Goods Received.				





PARTS

Hamer Parts - 125

PARTS LIST PART NO.	DESCRIPTION	PART NO.	DESCRIPTION
0030	Hoisting screw	2028-1	Hook pivot pin
0033	Hoisting crank	2029	Wire feed tube
0173C	Cutter Lever Return Spring Clip	2030-3	Wire check pawl
0206	Wire input oiler	2032	Stationary cutter
0232	Bushing for Idler Gear #2100	2033	Double end die
0260A	Switch	2034	Hook
0260J	Switch heater (for General Electric)	2035-6	Hook spring
0263	Power cord	2085	Feed system idler pulley (includes #2018) (1)
0643A	Switch Box	2085-1	Feed system idler pulley
0643B	Switch Cover	2086	Feed system pulley bolt (4)
2001	Main casting	2087	Upper V-pulley
2002	Gear housing	2088	Angle tube
		2090	Base plate weldment
		2091	Angle tube adjusting stop
2003	Flywheel	2092	Pedestal collar
2004	Motor mount plate	2093-1	Axle
		2094	Idler shaft
2005	Elec. box mtg. plate (replaces #2004A)	2095	Eccentric pulley
		2097	Main drive belt
2006	Front Plate	2099	Upper feed belt (orange V-belt)
2007	Bottom guide plate R.H.	2099-5	Lower bag feed belt (black cogged V-belt)
2008	Former	2100	Idler gear (incl. #232)
2010-2	Moving cutter	2101	Packer stud collar
2011	Driver	2102	Motor pulley
2012	Driver Shoe	2103	Bag stop
2014	Driver Link (2)	2105	Feed System plate spring
2015	Side Plate	2106	Limit switch
2016	Former guide plate	2107	Outer tube
2017	Wire feed wheel	2108	Inner tube
2018	Bearing	2109-2	Pivot block
2019	Wire check body	2111	Feed System Idler Bearing Assembly
2020-3	Packer arm (includes 2024)	2111-1	Feed System take-up bearing assembly
2021-1	Main gear shaft	2112	Wire stop
2023	Stationary cutter clamp	2078	Wire check spring
2024	Packer arm bushing	2079	Wire tube holder
2025	Main Gear Shaft BRG (2)	2080	Double end die stop
2026	Packer die	2081	Wire Check Pin
2027	Clutch mounting foot	2083	Lower V-pulley
		2084	Feed system V-pulley
2036	Wire spool bracket		
2038	Wire spool nut		
2039	Wire spool spring		
2041	Wire spool washer		
2042	Flywheel guard	2113-1	Flex tube clamp
2043	Guide shoe	2114	4" flex tube
2044	Wire feed shaft		
2045	Wire feed gear	2115	Wire feed lever
2046	Feed shaft bearing	2116	Lever stop
2047	Bag guide	2117-1	Wheel
		2121	Packer Spring Kit
		2121A	Packer Arm Return Spring
2048	Rear guide plate	2122	Wire check shoulder
2049	Key for #2017	2123	Spring plunger
2050-2	Electric Motor 50 HZ	2124-1	Jack shaft cst. assy
2050-3	Electric motor 60 HZ	2132	Clutch felt oiler
2051-6	Clutch (110 Volt)	2133	Wheel keeper (2)
2051-7	Clutch (220 Volt)	2134	1/2" conduit connector
2053	Limit switch actuating block		
2055	Limit switch		
2057-3	Wire harness	2136-1	Top guard bracket
2060	Zerk (Straight)	2137	Top guard lock knob
2061	Zerk (90 degree)	2142	Column lock knob
2062	Feed system shoulder bolt	2145	Cover Bracket
2063	Packer arm stud		
2064-1	Packer arm roller washer	2147	Shoulder bolt
		2148	Spring washer
2065-1	Packer arm roller	2314	Strain relief connector
2066	Bottom guard		
2067	Head bracket	2515-2	1/4 - 20 X 1/4 SKT. Hd. Set Screw Cone Point S.S.
2068	Feed system guard LH		
2069-1	Pulley guard	2791	Screws for #2064-1 and #2065-1
2070	Feed system plate LH		
2071	Feed system plate RH		
2072	Feed system guard RH	3126	Hoisting screw bearing
2075	Die adjusting block		
2076-1	Jack shaft for #2124-1	3576	Jack shaft bearing (2) for #2124-1 and #2076-1

Hamer

We provide parts for all Hamer equipment. Hamer includes a parts breakdown with each piece of their equipment when it is shipped. For your convenience, we have enclosed the model 125 bag closer, the ring bag closer and the 310 form, fill and seal. If you don't have the parts breakdown that came with your equipment, please call us at (386) 597-6381 and we will gladly fax you another.

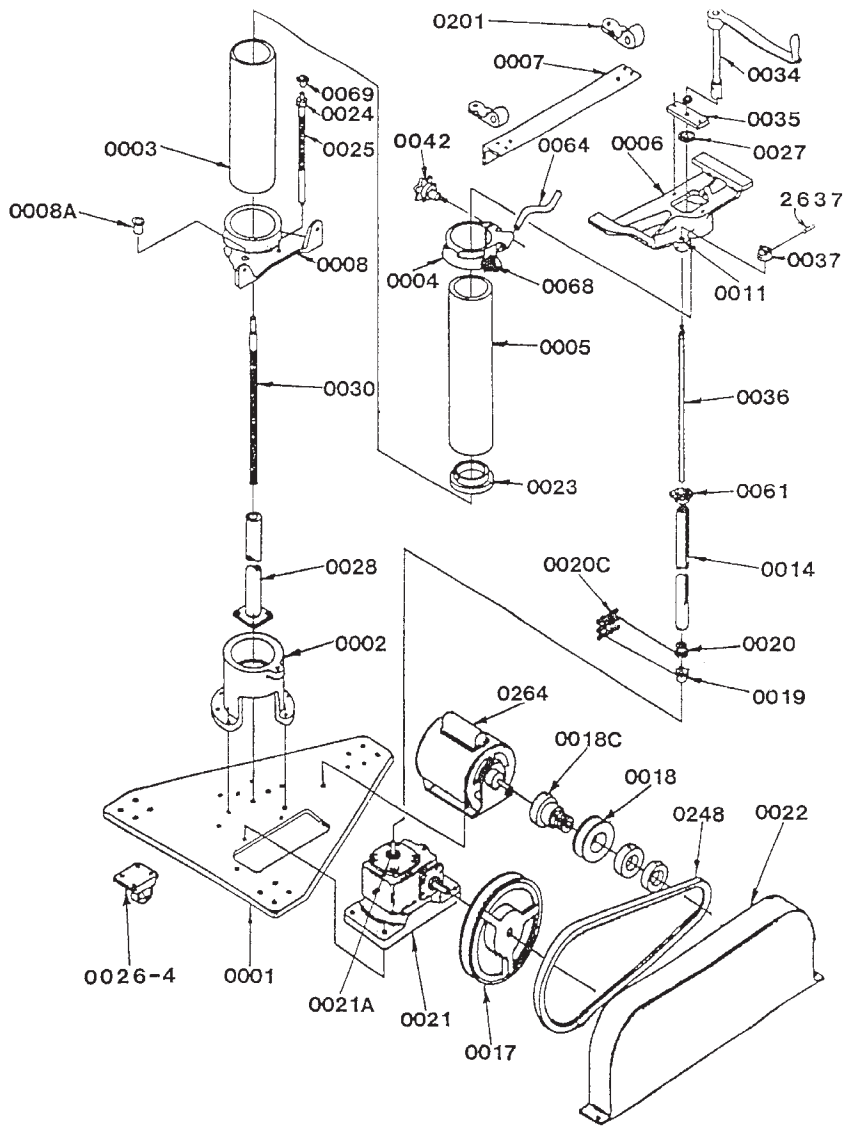
125 CONV-1 PART #	125 CONV-2 PART #		
0027		Hoist Thrust Bearing	1
0030		Hoisting	1
0033		Hoisting Crank	1
0260A		Motor Switch	1
0643A		Switch Box	1
0643B		Switch Cover	1
2201		Motor Mounting Bracket	1
2206		Gear Motor	1
2210		Sprocket	1
2212A		Chain Guard Cover	1
2212B		Cover Mounting Plate	1
2212C		Chain Guard Spacer	2
2212D		Cover Mounting Spacer	2
2214		Drive Chain	2
2513		5/16 - 18 x 5/8 Sq. Hd. Set Screw	4
2514		3/8 - 16 x 3/4 Sq. Hd. Set Screw	1
2529		1/4 - 20 Hex Nut	4
2542		1/4 - 20 x 1/2 Hex Hd. Cap Screw	9
2543		1/4 - 20 x 3/4 Hex Hd. Cap Screw	2
2546		5/16 - 18 x 1/2 Hex Hd. Cap Screw	14
2553		3/8 - 16 x 3/4 Hex Hd. Cap Screw	6
2555		3/8 - 16 x 1" Hex Hd. Cap Screw	1
2571		1/4 - 20 x 3/8 Phlp. Pn. Hd. Mach. Screw	2
2579		3/8 Flat Washer	5
2584		1/4 Lock Washer	11
2585		5/16 Lock Washer	14
2586		3/8 Lock Washer	7
2624		3/16 x 1" Woodruff Key	1
2633		3/16 x 1 - 1/4 Expansion Pin	1
2648		1/8 x 1/2 Pop Rivet	4
2805		10 - 32 x 1/2 Phlp. Rd. Hd. Screw	2
2831		3/16 x 3/4 Sq. Key Stock	1
8135	4152	Conveyor Table	1
8136		Pulley (Motor)	1
8137		Pulley (Driven)	1
8140		Bearing W/Flange	4
8141	4153	Belt	14
8142		Sprocket	1
8143		Pedestal	1
8144-1		Mounting Bracket	1
8145		Inner Sleeve	1
8146		End Cap	1
8148		Support Block	2
8149	3981-1	Side Guard Left	1
8150	3980-1	Side Guard Right	1
8153	4170	Conveyor Belt Guide	1



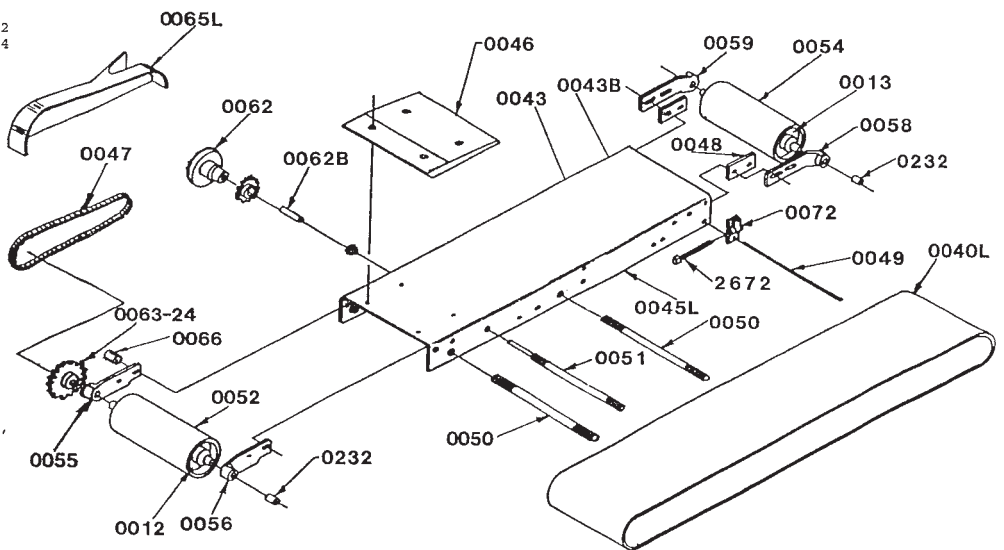
HAMER PARTS AND DIAGRAMS RING BAG CLOSER



Part No.	Description
STANDARD BASE	
0001	Base
0002	Base Flange
0003	Outside Pedestal Pipe
0004	Outside Pipe Collar Assembly
0005	Inside Pedestal Pipe
0006	Head Spider
0007	Head Angle
0008	Conveyor Bracket
0008A	Conveyor Bracket Bushing
0011	Bushing for #0006
0014	Hex Nut Drive Shaft Assembly
0017	V-Belt Pulley
0018	Motor Drive Pulley
0018C	Clutch for Motor Pulley
0019	Sprocket for Reducer Shaft
0020	Sprocket for Hex Drive Shaft
0020C	Double Chain for #0019 and #0020
0021	Gear Reducer Complete
0021A	Reducer Felt Washer
0022	Drive Belt Guard
0023	Pipe Guide
0024	Set Collar for #0025
0025	Conveyor Lift Screw
0026	Swivel Caster
0027	Head Hoist Thrust Bearing
0028	Hoisting Screw Housing Assembly
0030	Hoisting Screw
0031	Hoisting Coupling for #0034
0032	Hoisting Shaft for #0034
0033	Hoisting Crank for #0034
0034	Hoisting Crank Assembly
0035	Hoist Bearing Plate
0036	Upper Drive Shaft
0037	Jaw Clutch (lower)
0042	Head Lock Screw Assembly
0061	Conveyor Drive Pinion
0064	Conveyor Hoist Handle
0069	Conveyor Hoist Pinion
0201	Angle and Place Hinge
0207	Felt Washer for 18C
0248	V Drive Belt
0260A	Motor Switch Only
0260B	Heater for #0260
0260COMPLETE	Motor Switch Complete
0261	Motor Switch Mounting Plate
0262	Electric Cord - Motor to Switch
0263	Electric Cord - Switch to Outlet
0264	3/4 H.P. Electric Motor
2537	Roll Pin - 1/4 x 1-5/8

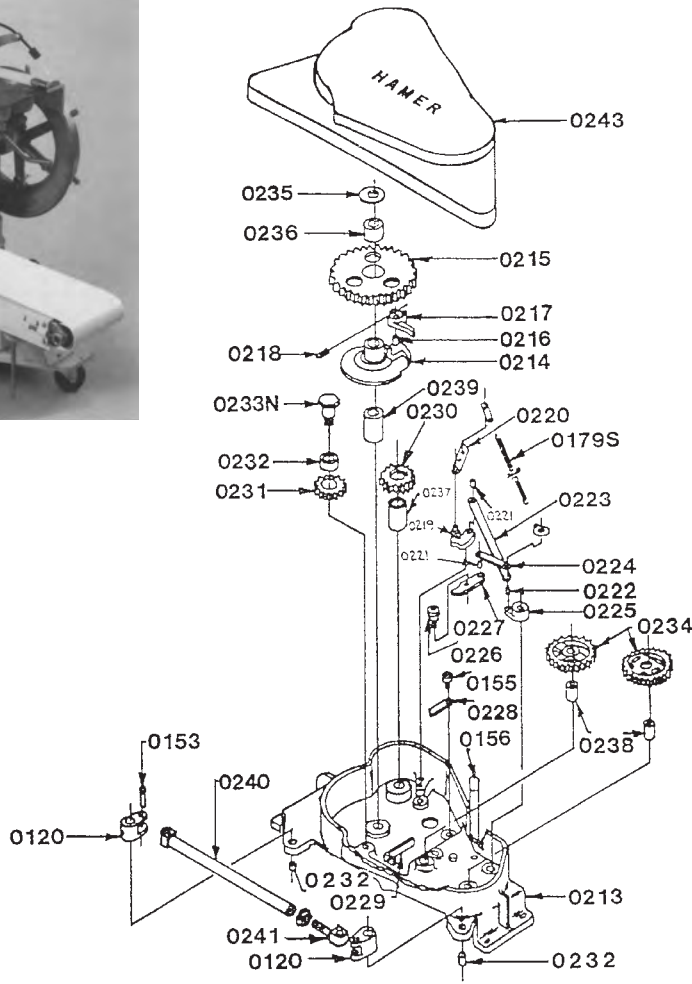


Part No.	Description
STANDARD CONVEYOR	
0012	Conveyor Pulley End Guard for #0052
0013	Conveyor Pulley End Guard for #0054
0040L	Conveyor Belt Long (96-3/4")
0043	Conveyor Support Plate
0043B	Conveyor Support Yoke
0045L	Conveyor Table Long (40")
0046L	Conveyor Table Riser Long
0047L	Conveyor Drive Chain Long (66 pitches)
0048	Take-Up Adjusting Plate
0049	Conveyor Table Tie Rod
0050	Conveyor Table Support
0051	Conveyor Countershaft
0052	Conveyor Drive Roller
0054	Conveyor Take-Up Roller
0055	Conveyor Drive Bearing R.H.
0056	Conveyor Drive Bearing L.H.
0058	Conveyor Take-Up Bearing L.H.
0059	Conveyor Take-Up Bearing R.H.
0062	Conveyor Drive Gear
0062B	Bushing for #0062 (2 required)
0063-24	Conveyor Drive Sprocket
0065L	Conveyor Chain Guard Long
0066	Conveyor Chain Guard Spacer
0072	Bag Guide End Bracket
0232	Bushing for No's. 0055, 0056, 0058, 0059
2672	Conveyor Adjusting Screw





HAMER PARTS AND DIAGRAMS RING BAG CLOSER

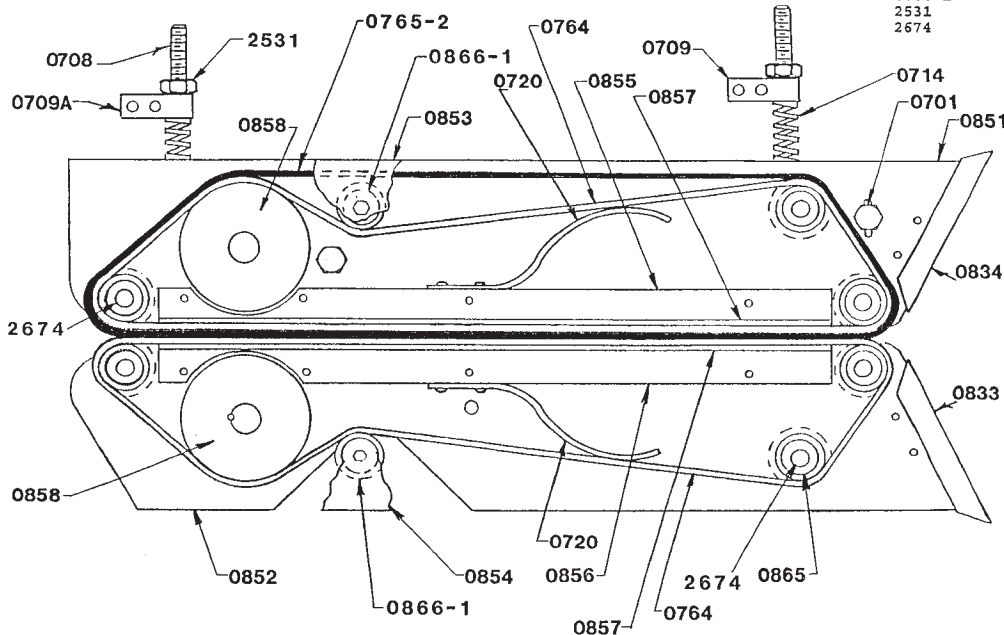


GEAR CASE

Part No.	Description
0153	Cross-Link Crank Pin
0155	Clutch Stop Bearing Bolt
0179S	Trip Lever Spring Assembly
0214	Clutch Disc (Includes #0216)
0215	Clutch Gear
0216	Clutch Pawl Bearing
0217	Clutch Pawl
0218	Clutch Pawl Spring
0219	Clutch Release Crank
0220	Clutch Trip Bearing
0221	Trip Stop Pin
0222	Clutch Trip Pin
0223	Clutch Release Link
0224	Second Clutch Release Link
0225	Trip Shaft Crank
0226	Second Release Bearing for #0227
0227	Second Clutch Release Pawl
0228	Clutch Brakestop
0229	Back Stop Spring
0230	Head Drive Gear
0231	Head Idler Gear
0232	Head Idler Bushing
0233N	Head Idler Gear Bearing Bolt
0234	Feed Drive Gear
0235	Clutch Washer
0236	Clutch Gear Bushing
0237	Drive Shaft Bushing
0238	Feed Shaft Bushing
0239	Cam Shaft Bushing
0240	Cross Link
0241	Cross Link Screw
0243	Gear Case Cover

850S-2 FEED SYSTEM

Part No.	Description
0701	Shoulder Bolt for #0851
0707-1	Bolt for #0862
0708	Pressure Adjusting Screw
0709	Front Block for #0708
0709A	Rear Block for #0708
0714	Plate Tension Spring
0719	Trip Finger and Shaft
0720	Belt Tension Spring
0764	Chain
0765-2	Urethane Belt
0833	Feed System Guard R.H.
0834	Feed System Guard L.H.
0851	Poly Feed Drive Plate L.H.
0852	Poly Feed Drive Plate R.H.
0853	Belt Guard L.H.
0854	Belt Guard R.H.
0855	Belt Pressure Shoe L.H.
0856	Belt Pressure Shoe R.H.
0857-1	Chain Guide
0858	Drive Sprocket Assembly
0865	Idler Sprocket, Bearing, Post, & Bolt
0866-1	Take-Up Sprocket, Bearing, and Post
2531	5/16-18 Hex Nut
2674	Bolt for #0865 (6)

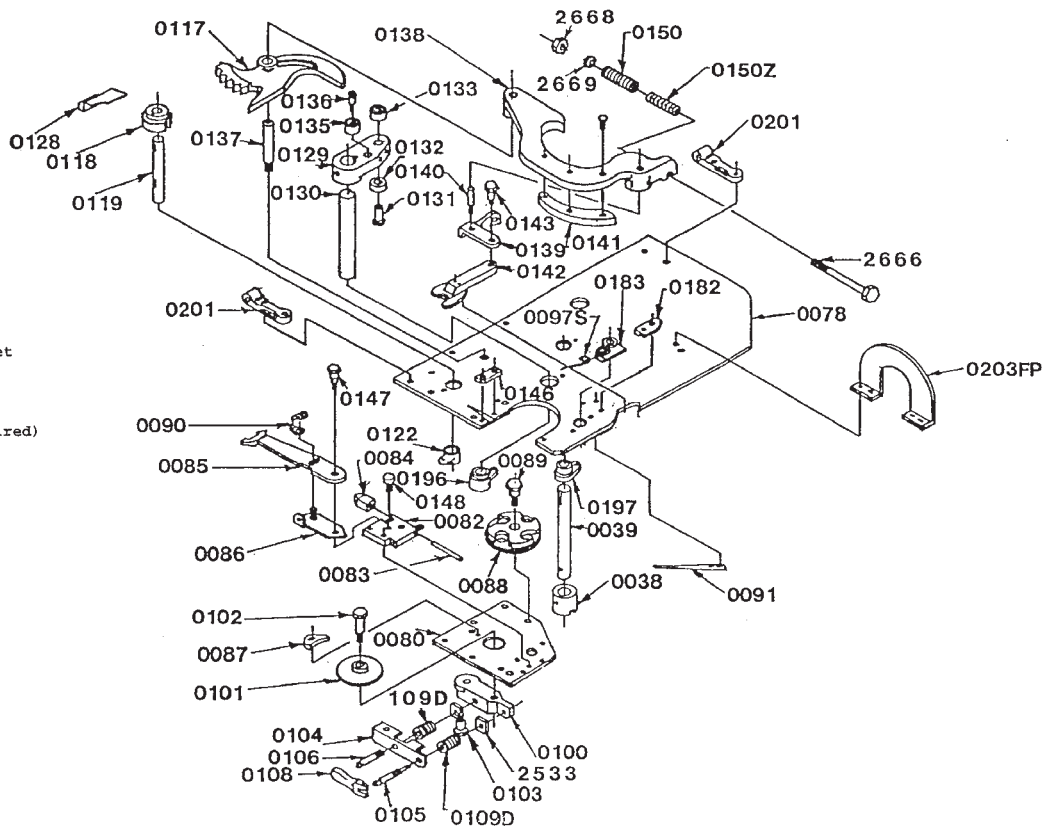


HAMER PARTS AND DIAGRAMS RING BAG CLOSER



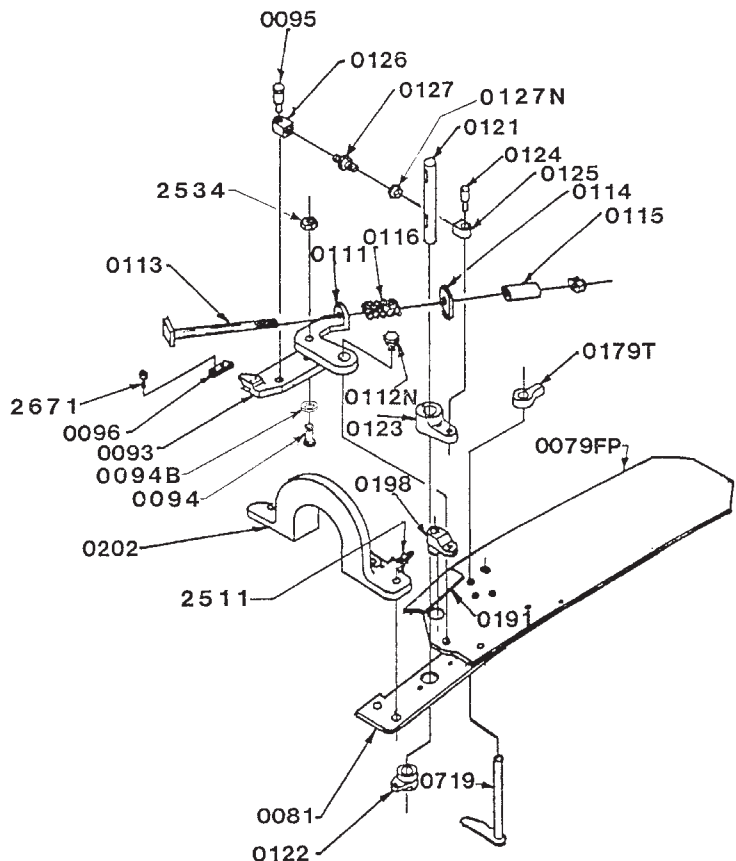
MAIN PLATE

Part No.	Description
0038	Jaw Clutch (Upper)
0039	Head Section Drive Shaft
0078FP	Poly Main Plate
0080FP	Poly Rigid Die Plate
0082	Rigid Die
0083	Wire Guide and Cutter Tube
0084	Wire Guide
0085	Cutter Lever Upper Section
0086	Cutter Lever Lower Section
0087	Wire Wheel Oiler
0088	Wire Feed Wheel
0089	Wire Pd Wheel Brng Blt
0090	Cutter Return Spring
0091	Wire Feed Lock Spring
0097	Kick-Out Spring
0100	Wire Idler Bracket
0101	Wire Feed Idler Bearing Bolt
0102	Wire Feed Idler Bearing Bolt
0103	Pivot Bolt for Tension Bracket
0104	Tension Spring Bracket
0105	Wire Tension Release Bolt
0106	Wire Tension Bolt
0108	Wire Tension Release Lever
0109D	Tension Disc Spring (16 Required)
0117	Die Operating Cam
0118	Die Operating Gear
0119	Die Operating Gear Shaft
0122	Die Closing Shaft Bushing
0122A	Bushing Support for #0122
0122B	Bushing for #0122
0128	Die Operating Gear Guard
0129	Cam Arm
0130	Ejector/Cam Arm Shaft
0131	Bearing Pin for Cam Roller
0132	Lower Cam Roller
0133	Upper Cam Roller
0135	Packer Return Roller
0136	Packer Return Roller Bearing
0137	Packer Arm Bearing
0138	Packer Arm (Includes #0141)
0139	Packer Hinge (With #0140)
0141	Packer Arm Cam Shoe
0142	Packer Die
0143	Packer Die Pivot Bolt
0146	Wire Tube Clamp
0147	Wire Cutter Lever Bolt
0147L	Wire Cutter Lever Bolt Long
0148	Die Clamp Bolt
0149	Packer Spring Bolt, Washer and Nut
0150	Packer Spring (Outside)
0150Z	Packer Spring (Inside)
0183A	Bushing Support for #0183
0183B	Bushing for #0183
0196A	Bushing Support for #0196
0196B	Bushing for #0196
0197A	Bushing Support for #0197
0197B	Bushing for #0197
0201	Angle and Plate Hinge



SIDE PLATE

Part No.	Description
0079FP	Poly Side Plate
0081	Left Die Plate
0093	Pivot Die
0094	Pivot Die Bolt
0094B	Brass Washer for #0094
0095	Pivot Die Stud
0096	Wire Former and Cutter
0111	Die Hinge
0112	Die Hinge Pivot Bolt
0113	Die Adjusting Bolt
0114	Adjusting Bolt Bearing
0115	Adjusting Bolt Sleeve
0116	Adjusting Bolt Spring
0121	Die Operating Crank Shaft
0122	Die Closing Shaft Bushing
0122A	Bushing Support for #0122
0122B	Bushing for #0122
0123	Die Operating Crank (Includes #0124)
0124	Die Operating Pin
0125	Die Closing Link L.H.
0126	Die Closing Link R.H.
0127	Die Adjusting Screw
0179T	Hand Trip Lever
0183B	Bushing for #0183 (Replaces #0198B)
0191	Left Packer Guide
0198	Feed Shaft Plate Bushing
0198A	Left Packer Guide
0202	Rear Plate Arch
0246	Adjusting Screw and Nut for #0123 Stop
0317	Screw for #0096
0719	Trip Finger and Shaft
2511	Adjusting Screw & Nut for #0123 Stop
2671	Screw for #0096 (2)

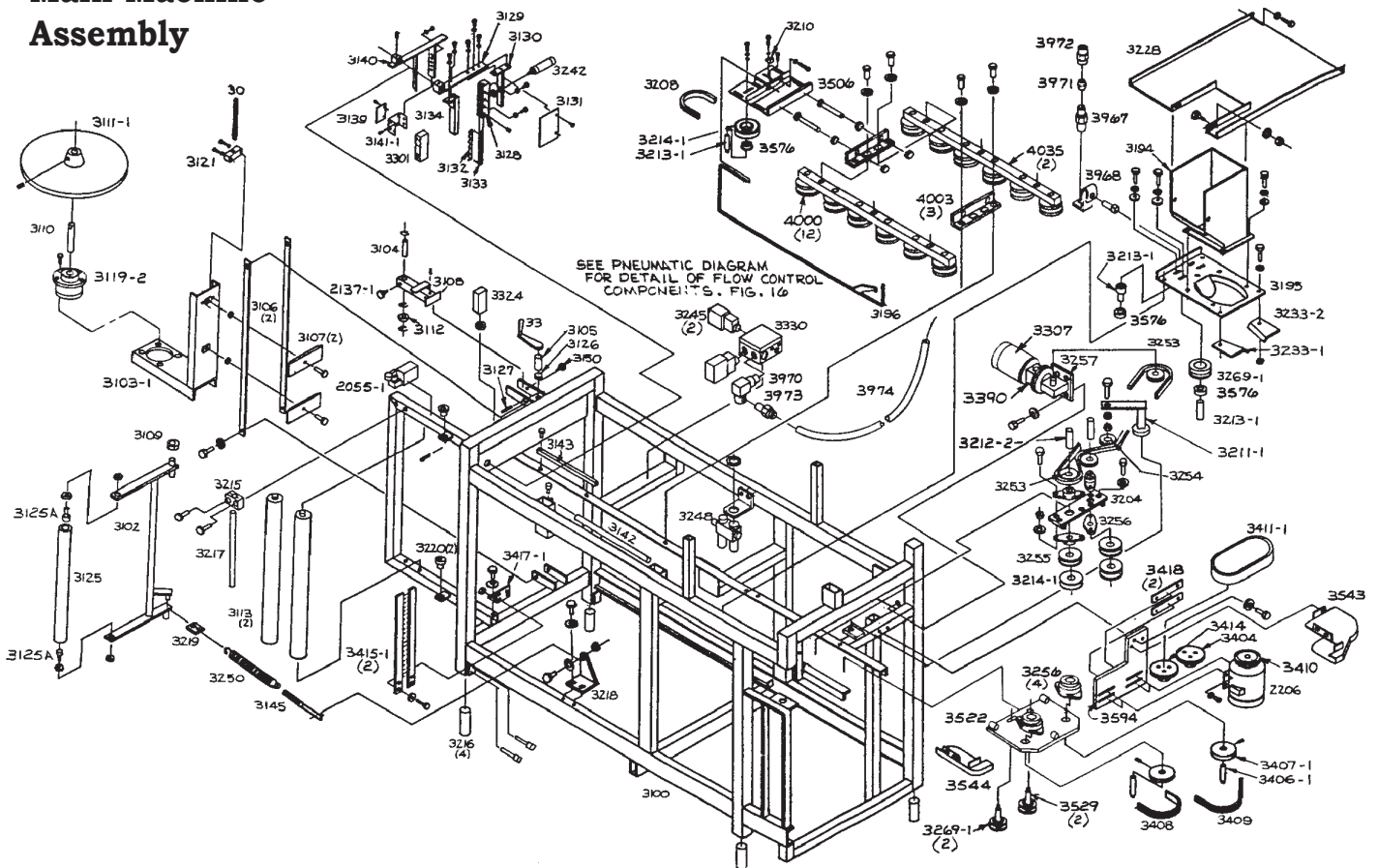




Hamer 310 Diagrams



Main Machine Assembly



Hamer 310 Diagrams

Pneumatic Diagram

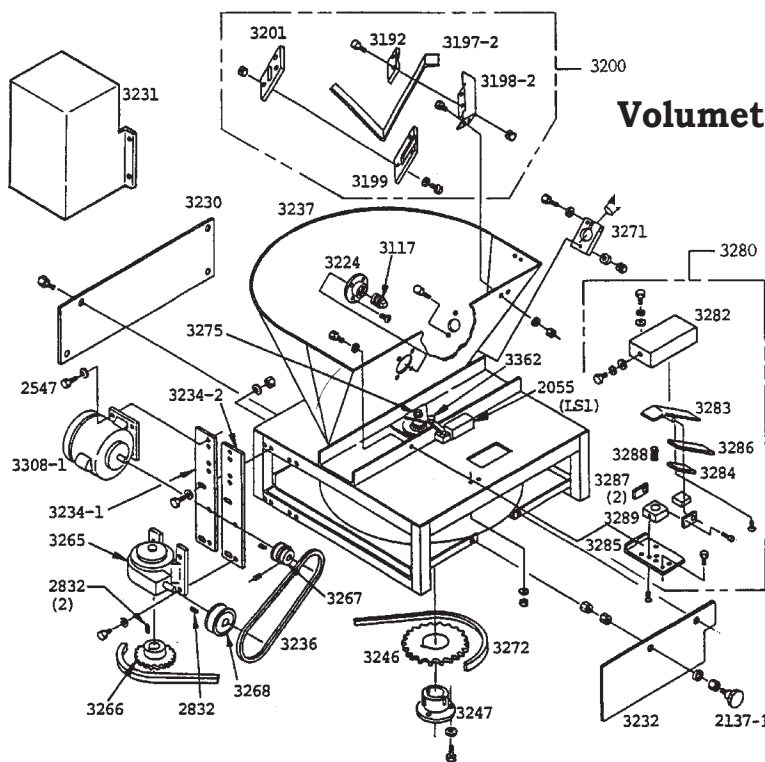
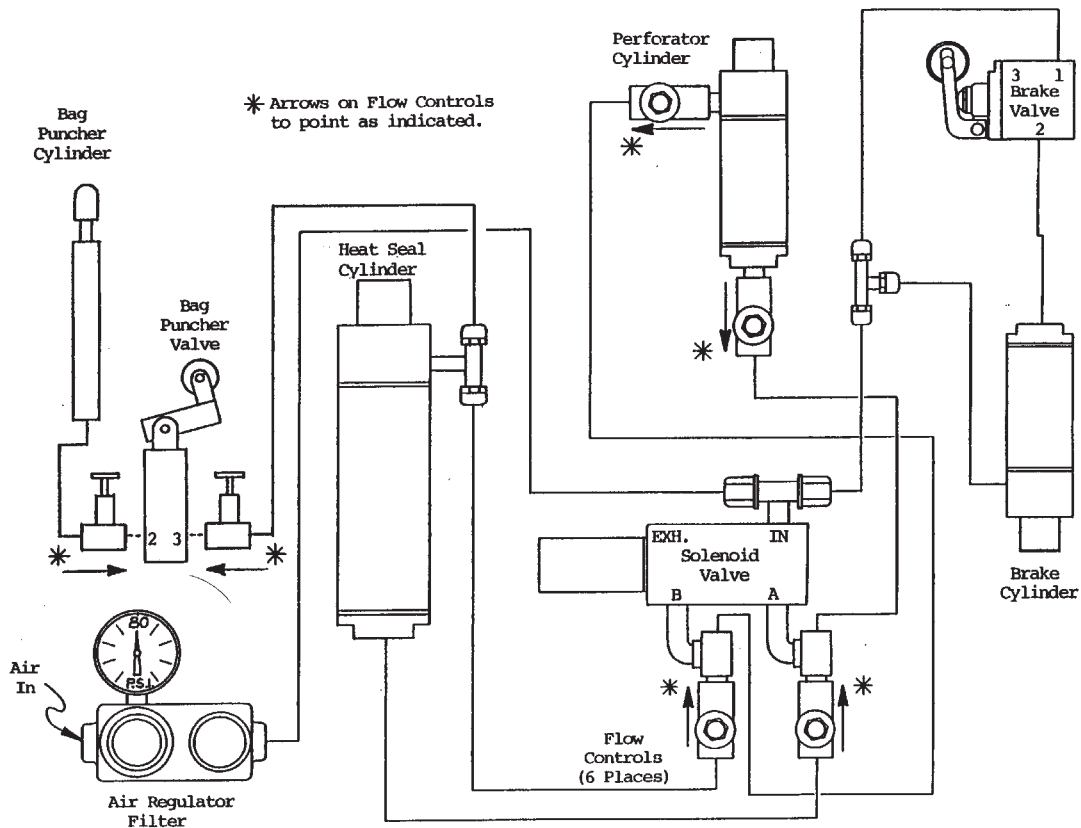
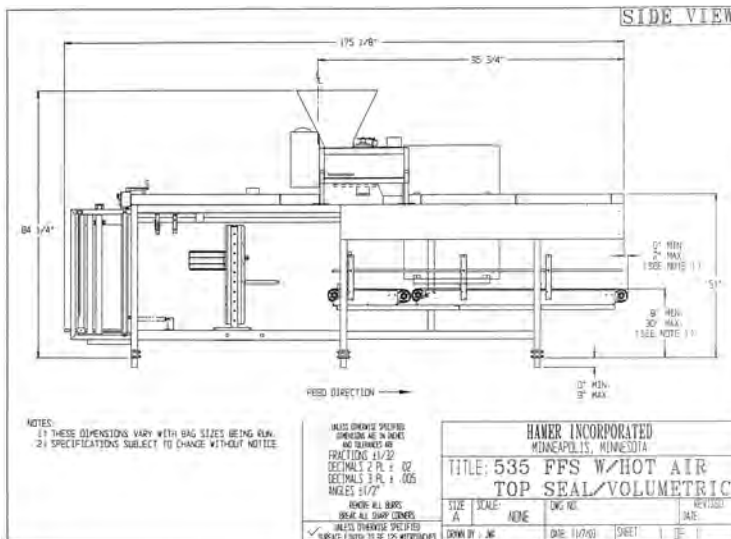
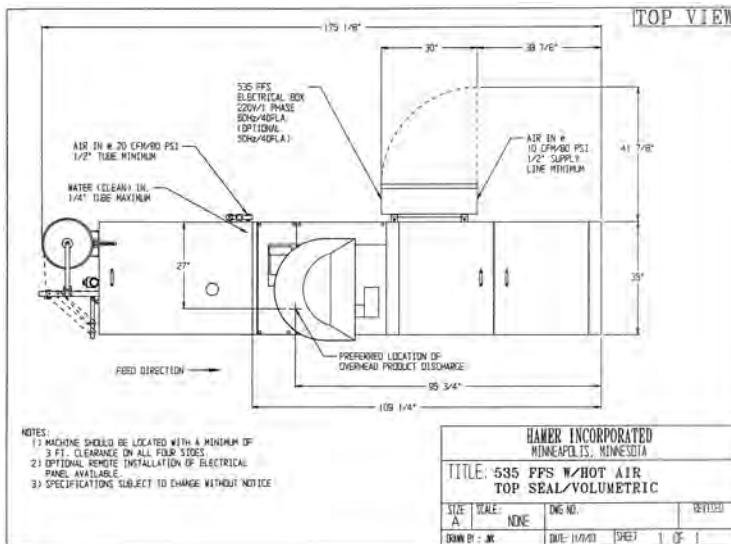


FIGURE 11





Hamer 535 and 540 Diagrams



PART #	DESCRIPTION
0812	Drive Motor, 3/4 HP
0931	Nipple, Close Pipe 1/8"
0974	Nipple Plastic, 1/8" NPT x 3/4" Long
2055-1	Limit Switch
2123	Spring Plunger
2137-1	Lock Knob
2505-1	External Retaining Ring, 5/8"
2507-1	External Retaining Ring, 3/8"
2622	Key, 3/8" Sq. x 2" Long
2632	Spiral Pin, 3/16" x 1" Lg.
2633	Spiral Pin, 3/16" x 1-1/4" Lg.
2806	Cotter HairPin
2831	3/16" Sq. x 3/4" Long
2832	Key, 3/16" Sq. x 1" Lg.
2873	Spring Pin, 1/8" x 13/16" Long
2897	O-Ring (Buna-N)
2899	External Retaining Ring, 5/16"
2957	Clevis Pin
2990	Washer, Fender 3/8" I.D. x 1-1/2" O.D.
3107	Horizontal Support Bar
3109	Brake Cam
3112	Core Holder
3121	Conveyor Adjusting Block
3125A	3/8" Bolt, Dancer Feed Roller
3129-1A	Perforator Support
3130	Perforator Cylinder Bracket
3131	Perforator Guide
3134A	Rubber Holder, Perforator
3134C	Rubber Holder Mounting, Perforator
3139	Photo Eye Guide
3140-1A	Photo Eye Support
3140-1B	Photo Eye Mounting Bracket Weldment
3141-1	Photo Eye Bracket
3144	Slack Roller, 1-1/4" O.D.
3145	Inner Dancer Spring
3146-4	Film Guide
3150	Lock Knob
3158	Shield Guide Pin
3160	Knob, 1/2" Diameter
3176	Bearing Block, Fixed
3177	Bearing Block, Slotted
3178	Hot Knife Spacer
3179-1	Spacer
3186	Carriage Wheel
3192	Wiggler Clamp
3197-2	Wiggler Strip
3198-2	Wiggler Bracket





PART #	DESCRIPTION
3199	UHMW Flapper
3201	UHMW Slotted
3211-1	Chain Tensioner
3212-3	Drive Shaft, Main Drive Sprocket
3213-2	Idler Shaft
3214-1	Idler Pulley
3215	Cane Bracket
3218	Spring Bracket
3219	Spring Attachment
3220	Dancer Bushing
3222-1	Brake Valve Bracket
3223	Photo Eye Reflector
3226	Linear Bearing
3236	Drum Drive Belt
3239	Shoulder Bolt, 3/8" X 1"
3242	Air Cylinder
3244	Rod Clevis, Cylinder
3246	Filler Drum Drive Sprocket
3247	Filler Drum Drive Sprocket Hub
3249	Heat Seal Spring
3250	Dancer Spring
3253	Film Feed Drive Sprocket
3254	Film Feed Idler Sprocket
3254B	Idler Sprocket Spacer
3256	Bearing
3257-2	Film Feed Gear Reducer
3263	Roll Holder Bearing
3265	Drum Drive Reducer
3266	Drum Drive Sprocket
3267	Drum Motor Pulley
3269-1	Idler Pulley
3271	Proximity Holder
3272	Chain, #50
3275	Activating Cam
3281	Slapper Bumper
3282	Slapper Cover
3283	Slapper Pivot Plate
3284	Slapper Backup
3285	Slapper Mounting Bracket
3286	Slapper UHMW
3287	Slapper Pivot Block Assembly
3288	Slapper Spring
3289	Slapper Spring Block
3301	Photo Eye Detector
3308-1	Electric Motor
3353-1	Low Level Detector
3362	Limit Switch Actuating Arm
3382-4	Thermocouple Wire Assembly
3390-2	Pneumatic Clutch/Brake
3417-2	Static Eliminator Bracket
3429	Backup Bar
3452	Gas Spring
3453	Mounting Ball Stud
3454	Safety Clip
3455	Gas Spring Mounting Bracket
3534-1	Hoisting Screw
3576	Bearing
3592	Cane, Film
3710	Seal Pad Adjuster Rod
3740	Bag Puncher Valve
3915	Perforator Blade
3973	Air Fitting Straight, 5/32"
3990-1	Jaw, 2-3/4"
3991	Belt Slide
4001	Slide, Tail Pulley Plate
4002	Slide Backup
4003	Guide Rail Angle
4005	Spring Support
4007	Hopper
4009	Spring, Tail Pulley
4011-1	Tail Pulley Plate
4013-1	Idler Shaft
3382-4	Thermocouple Wire Assembly
3390-2	Pneumatic Clutch/Brake
3417-2	Static Eliminator Bracket
3429	Backup Bar
3452	Gas Spring
3453	Mounting Ball Stud
3454	Safety Clip
3455	Gas Spring Mounting Bracket
3534-1	Hoisting Screw
3576	Bearing
3592	Cane, Film
3710	Seal Pad Adjuster Rod
3740	Bag Puncher Valve
3915	Perforator Blade
3973	Air Fitting Straight, 5/32"
3990-1	Jaw, 2-3/4"
3991	Belt Slide
4001	Slide, Tail Pulley Plate
4002	Slide Backup
4003	Guide Rail Angle
4005	Spring Support
4007	Hopper
4009	Spring, Tail Pulley
4011-1	Tail Pulley Plate
4013-1	Idler Shaft
4014	Spring, Jaw
4017-1	Pulley Bracket
4044-1A	Coder Support
4045	Rubber Mounting Bracket
4046	Coder Cylinder Bracket
4047	Type Holder (4 characters)
4047-1	Type Holder (8 characters)
4048	Coder Guide
4049	Rubber Backup
4085	Coder Cylinder Adapter
4133	Guide Shaft, Flex Fill
4135	Jaw Support, Flex Fill
4138	Clevis Pin, Flex Fill
4140	Bushing
4141	Bushing Retainer
4146	Perforator Holder
4147	Perforator Backup
4148	Cylinder Adapter
4149	Perforator Guide
4150	Bearing Spacer, Flex Fill
4181	Air Nozzle, Bag Punch
4222A	Roll Holder 21"
4222-1B	Core Holder 21"
4225	Support Weldment, Flex Fill
4226-1	Cylinder Stop, Flex Fill
4227	Cylinder Pivot, Flex Fill
4228	Cylinder Rod End, Flex Fill
4235	Bushing
4278	Support Gusset, Vertical Heat Seal
4279	Switch Bracket, Vertical Heat Seal
4280	Switch Actuator, Vertical Heat Seal
4281	Stabilizer Bar, Vertical Heat Seal
4343	Sprocket
4388	Thermocouple Spacer
9568	Cylinder Pivot
9606	Hole Punch, 1/4" Diameter
9750	Hot Knife
9751	Knife Backup Bar
9752	Seal Bar 1"
9753	Heat Element
9754	Seal Bar 2"
9755	Silicone Tube
9756	Mounting Bar
9757	Hot Knife Shield
9758	Seal Pad Guard
9759	Seal Pad Guard
9761	Seal Pad Rollers





PARTS

Hamer 535 Parts List, continued

PART #	DESCRIPTION		DESCRIPTION
9762-1	Roller Lock Plate	10425	Shaft, Roll Holder
9763	Seal Pad Bar	10432	Muffler
9764-1	Silicone Pad	10473	Snap Fastener
9767	Shaft Block	10596	Auxiliary Feed Chain, #40
9772	Pillow Block Plate	10602	Pivot Bar
9773	Clevis Pin	10603	Pivot Pin
9779	Teflon Cloth	10712-1	Flow Control (water)
9788	Volumetric Support	10760	Vertical Bar
9808	Pillow Block Shaft	10761	Horizontal Bar
9824-1	Pillow Block Linear Bearing w/Grease Zerk	10762	Clamp Spacer
9849	Cylinder, Flex Fill	10763	Lubricating Felt
9880	Roll Brake Strap End	10764-1A	Lubricator Support
9883-1	Air Cylinder	10907	Carriage Stop
9883-1B	Air Cylinder Nut	11000	Static Eliminator Brush
9883-1C	Air Cylinder Threaded Rod	11001	Film Clamp Bar
9884-1	Rod Pivot, Cylinder Vertical Heat Seal	11002	Film Clamp Bar
9947	Rear Support Bar	11003	Neopreme
9948	Front Support Bar	11004	Dancer Feed Roller
9949	Seal Pad Weldment	11005	Dancer Weldment
9950	Carriage Weldment, Vertical Seal	11006	Film Feed Roller
9956	Spring, Roll Brake	11011	Photo Eye Slide Rod
9957	Air Valve, Brake	11012	Plastic Slide
9961	Main Guard	11037	Chute
9962	Front Left Guard	11038	Chute Flap
9963	Front Right Guard	11041	Control Panel Guard
9964	Rear Right Guard	11075	Drum Drive Guard
9965	Guard Mount	11079	Volumetric Guard
9966	Rear Left Guard	11157-1	Carriage Guide Tube
10002	Drip Pan	11170	Separator Rod
10012	Thrust Washer, Hoisting Screw	11171	Guide Rail
10033	Volumetric Guard	11173-1	Main Cover
10040	Gear Box Mounting Plate	11176	Side Guard, Right
10047	Support, Hoisting Screw	11177	Side Guard, Left
10057	Drive Pulley, Volumetric	11178-1	Cylinder
10061	Hairpin	11180	Hole Punch Cylinder Bracket Weldment
10078	Bridge Plate	11291	Flex Fill Frame
10079	Bridge Angle	11294	Tube Mounting Plate
10080	Bridge Tube	11300	Shaft Collar
10082	Adjusting Rod, Volumetric Drive	11301	Upper Core Shaft
10083	Adjusting Nut, Volumetric Drive	11365	Main Cover
10084	Fixed Tube, Volumetric Drive	11366	Separator Rod Holder
10085	Adjusting Tube, Volumetric Drive	11367	Main Frame
10088	Product Deflector, Volumetric	11376	Cam Lock Assembly
10089	Air Cylinder Bracket	11481	Tube Mounting Plate
10103	Nut Plate, Volumetric Drive	11490	Bearing Plate
10137	Punch Bracket	11491	Lock Nut
10303	Cylinder	11493	Idler Sprocket Spacer
10341	Roll Support Weldment	11497	Keeper, Chute Flap
10342-1	Idler shaft	11514	Felt Washer
10343	Idler Pulley	11953	Film Feed Belt
10347	Roll Brake Strap		
10348	Drive Pulley		
10354	Shaft Spacer, Roll Support		
10355	Brake Drum		
10401	Cylinder Mounting Bracket		
10403	Belt Support		
10411	Film Clamp Mount		
10412	Film Clamp Guide		
10413	Film Clamp Pivot		
10416	Film Clamp Pivot Pin		
10417	Unwind Cylinder Mount		
10418	Cylinder Clevis		
10419	Unwind Pivot Plate		
10420	Unwind Pivot Bracket		

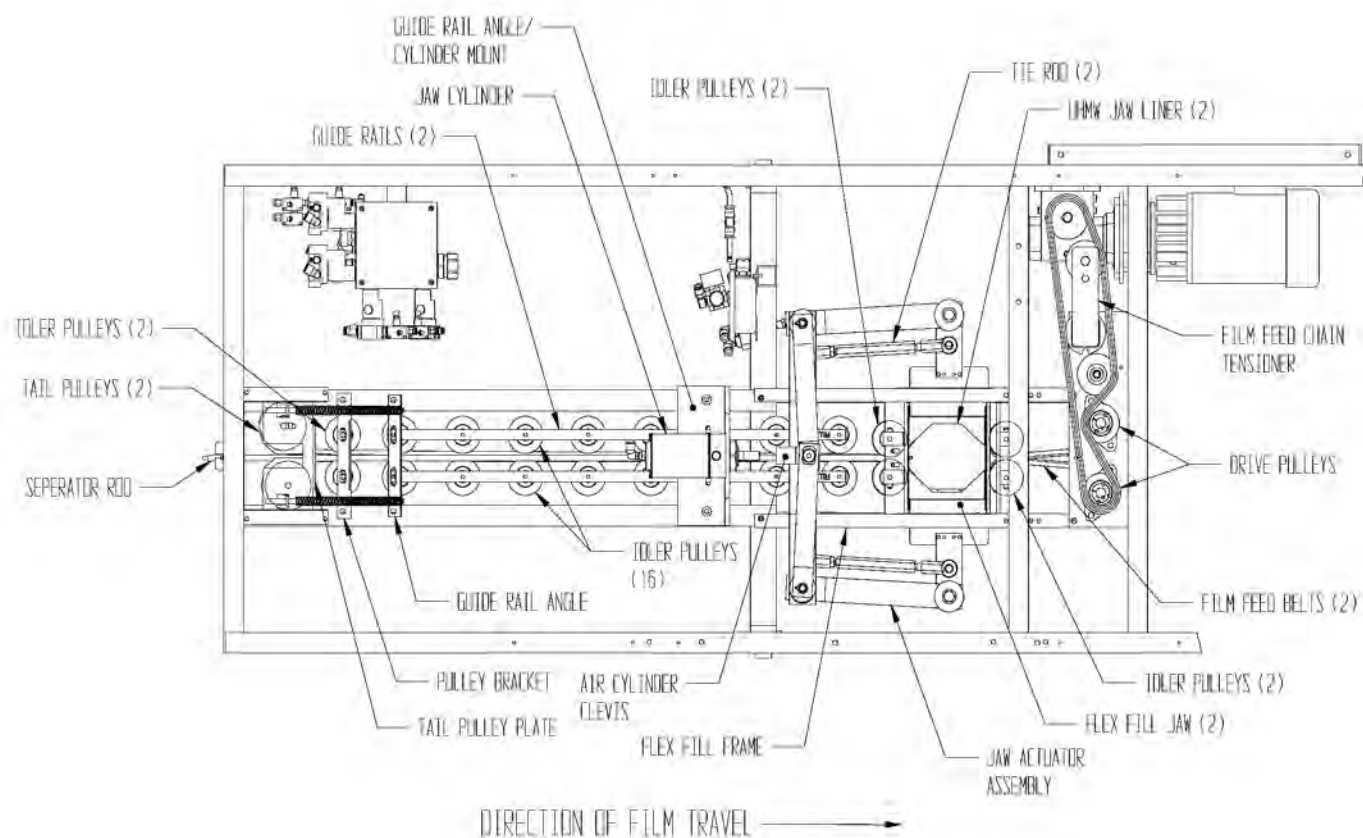




Hamer 540 Diagrams



Hamer 540 Feed Belt System Diagram





ICE MERCHANDISER PARTS LIST

Polar Temp (PT), Thermal Manufacturing (TMC), Leer, Star and Starrett parts are available as always from us. Give us a call at (386) 597-6381 and we will rush your order to you.

CONDENSING UNITS

- 9090010 R22 1/4 HP
- 9090012 R22 1/3 HP
- 9090013 R22 1/2 HP

COMPRESSORS

- 9070001 R22 1/4 HP
- 9070004 R22 1/3 HP
- 9070003 R22 1/2 HP

CONDENSING UNIT PARTS R22

- 9080202 Start Relay 1/3 HP
- 9080203 Start Relay 1/2 HP
- 9080300 Start Capacitor 1/4 HP
- 9080301 Start Capacitor 1/3 HP
- 9080302 Start Capacitor 1/2 HP
- 9080351 Overload 1/4 HP
- 9080352 Overload 1/3-1/2 HP
- 9080422 Fan Motor 9 watt
- 9080423 Fan Motor 16 watt
- 9080403 Fan Motor 35 watt
- 9080451 Fan Blade 1/4 HP
- 9080452 Fan Blade 1/3 HP
- 9080453 Fan Blade 1/2 HP
- 9080481 Fan Shroud 1/4 HP
- 9080482 Fan Shroud 1/3 HP
- 9080483 Fan Shroud 1/2 HP
- 9080501 Coil 1/4 HP
- 9080502 Coil 1/3 HP
- 9080503 Coil 1/2 HP

DROP-IN REFRIGERATION SYSTEMS (CONDENSING UNIT & EVAPORATOR ASSEMBLY)

- 7090101 1/4 HP
- 7090102 1/3 HP
- 7090104 1/2 HP
- 7090105 3/4 HP

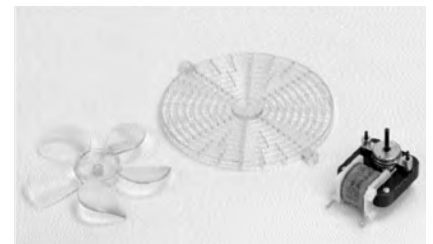
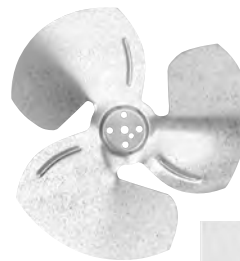
EVAPORATORS & PARTS

- 7100001 One Fan Assembly (TMC)
- 7100002 Two Fan Assembly (TMC)
- 7100004 Three Fan Assembly (TMC)
- 7100011 One Fan Assembly (Leer)
- 7100012 Two Fan Assembly (Leer)
- 7100031 One Fan Assembly (Starrett)
- 7100032 Two Fan Assembly (Starrett)
- 7100033 Three Fan Assembly (Starrett)
- 7100041 One Fan Assembly (Star)
- 7100042 Two Fan Assembly (Star)
- 7100043 Three Fan Assembly (Star)
- 9060001 Coil, One Fan (TMC)
- 9060002 Coil, Two Fan (TMC)
- 9060003 Coil, Three Fan (TMC)
- 7101201 Drain Pan, One Fan (TMC)
- 7101202 Drain Pan, Two Fan (TMC)
- 7101203 Drain Pan, Three Fan (TMC)
- 7101211 Drain Pan, One Fan (Leer)
- 7101212 Drain Pan, Two Fan (Leer)

- 7101231 Drain Pan, One Fan F100 (Starrett)
- 7101232 Drain Pan, One Fan F140 (Starrett)
- 7101235 Drain Pan, Two Fan F170 (Starrett)
- 7101233 Drain Pan, Three Fan F190, F230 (Starrett)
- 7101241 Drain Pan, One Fan (Star)
- 7101242 Drain Pan, Two Fan (Star)
- 7101243 Drain Pan, Three Fan (Star)

EVAPORATOR MOTORS ACCESSORIES

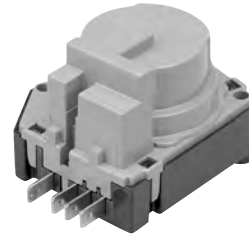
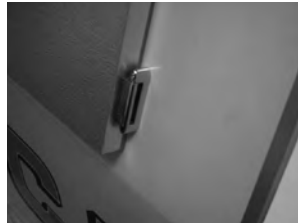
- 9220001 Fan Motor
- 9150001 Fan Blade
- 9160001 Fan Guard
- 8250003 Fan Bracket
- 7220001 Fan Motor Assembly
- 9200005 Heat Rod One Fan
- 9200006 Heat Rod Two Fan
- 9200007 Heat Rod Three Fan





CONDENSATE PARTS

- 7200010 Condensate Heater
- 7200020 Condensate w/o Heater
- 8200501 Condensate Pan
- 9200001 Condensate Heat Rod
- 9290001 Drain Tube



CONTROLS

- 7250002 Thermostat with Bracket & Acc
- 9250010 Thermostat Recessed
- 9250002 Thermostat w/ Acc
- 9250011 Thermostat Dial Plate – Rec
- 8250004 Thermostat Bracket
- 9250003 Defrost Timer 4hr/15min
- 8250001 Defrost Timer Bracket
- 7250003 Defrost Timer with Bracket
- 9250004 Defrost Terminator

GASKETS

- 9190001 Slant (Ice Buddy/PT/TMC/Leer)
- 9190009 Slant (Star)
- 9190005 Slant (Starrett)
- 9190002 Upright (Ice Buddy/PT/TMC)
- 9190010 Upright (Star)
- 9190003 Upright (Leer)
- 9190006 Upright (Starrett)

HANDLES/ HASPS

- 9210101 Handle (Ice Buddy/PT/TMC/Starrett-unigrip)
- 9210100 Handle (Leer)
- 9210106 Handle (Star)
- 9210102 Hasp (Ice Buddy/PT/TMC/Starrett)
- 9210103 Hasp (Leer)
- 9210104 Hasp (Star)
- 9210105 J Bolt
- 9210111 Chain
- 7210120 Latch/Strike (TMC)
- 9210120 Latch (TMC)
- 9210121 Strike (TMC)



CAP TUBE

- 8100001 .036 X 72"
- 8100002 .044 X 72"
- 8100003 .042 X 72"

GLASS DOORS

- 9120020 Silver 26 X 44 (Ice Buddy/PT/TMC/Star/Starrett)
- 9120021 Gold 26 X 44 (Ice Buddy/PT/TMC/Star/Starrett)
- 9120024 Silver 28 X 47 (Starrett)
- 9120026 Gold 28 X 47 (Leer)
- 9120022 Silver 22 X 38 (Starrett)
- 9120023 Gold 22 X 38 (Starrett)
- 9120026 Gold 28 X 47 (Starrett)

DRYERS

- 9140001 Copper 1/4" MMS80
- 9140002 Copper 3/8"

HINGES

- 7210001 Hinge (Kason 211)
- 9210055 Hinge Cover (Kason 211)
- 9210071 Adjustment Plate (Kason 211)
- 9210012 Hinge Silver (Kason 212)

SOLID DOORS

- 7120201 Slant 27 X 27 (Ice Buddy/PT/TMC)
- 7120211 Slant 26 X 26 (Leer)
- 7120221 Slant 27 X 27 (Leer)
- 7120231 Slant 22 X 28 (Starrett)
- 7120701 Upright 26 X 44 (Ice Buddy/PT/TMC)
- 7120712 Upright 26 X 44 (Star)
- 7120721 Upright 27 X 46 (Leer)
- 7120731 Upright 22 X 38 (Starrett)

GLASS DOOR GASKETS

- 9195000 (Ice Buddy/PT/TMC)
- 9195001 (Leer/Starrett)
- 9195002 (Leer/Starrett)





ICE MERCHANDISER PARTS LIST

- 9210056 Hinge Cover (Kason 212)
- 9210072 Adjustment Plate (Kason 212)
- 9210006 Hinge (Kason 217)
- 9210054 Hinge Cover (Kason 217)
- 9120074 Adjustment Plate (Kason 217)
- 9210003 Hinge (Kason 218)
- 9210041 Spring Cartridge (Kason 218)
- 9210091 Tension Pin (Kason 218)
- 9210008 Hinge Silver (Kason 220)
- 9210009 Hinge Gold (Kason 220)
- 9210057 Cover Silver (Kason 220)
- 9210058 Cover Gold (Kason 220)
- 9210073 Adjustment Plate (Kason 220)
- 9210042 Spring Assembly (Kason 220)
- 9210092 Tension Pin (Kason 220)

HOODS/SKIRTS

- 7091001 Small Hood w/o Decals 1/4-1/3 HP
- 7091002 Large Hood w/o Decals 1/2 HP
- 7091051 Small Hood with Decal 1/4-1/3 HP
- 7091052 Large Hood with Decal 1/2 HP
- 7091101 Skirt M300
- 7091102 Skirt M420
- 7091103 Skirt M650
- 7091104 Skirt M500
- 7091105 Skirt M630
- 7091106 Skirt M750
- 7091107 Skirt M850
- 7091108 Skirt M1000

ALUMINUM TRIM

- 9050001 Silver 144" (TMC Slant)
- 9050004 Silver 165" (TMC Upright/Outdoor)
- 9050005 Silver 64 7/16" (TMC Upright/Outdoor)
- 9050021 Gold 64 7/16" (TMC Upright/Outdoor)

FLOOR RACKS

- 9240001 Small (22 X 25)
- 9240002 Large (22 X 29)

WIRE HARNESS/POWER CORD

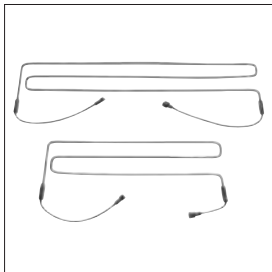
- 9270001 Power Cord (Cold Wall)
- 9270002 Power Cord (Auto Defrost)
- 9270101 Toggle Switch (Auto Defrost)
- 8270002 Power Cord with Switch (Auto Defrost)
- 9270004 Evap Harness
- 9270005 Fan Jumper

DECALS/SIGN PANELS

- 9110003 Cabinet Red 13"
- 9110004 Cabinet Blue 13"
- 9110005 Hood Red 8.5"
- 9110006 Hood Blue 8.5"
- 9110051 Sign Red
- 9110052 Sign Blue
- 9110050 Sign Blank

MISCELLANEOUS FITTINGS

- 9290005 Drain Plug
- 9290003 Floor Drain Tube
- 9290004 Drain Retainer





MYCOM Genuine Parts

The manufacture of MYCOM genuine parts is based on the experience gained from over seventy years of production, utilizing the finest raw materials and meeting the strictest dimensional requirements, making it possible for use to warrant performance for a full year after installation.





PARTS

Turbo and Vogt Parts

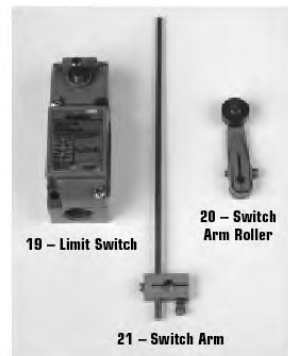
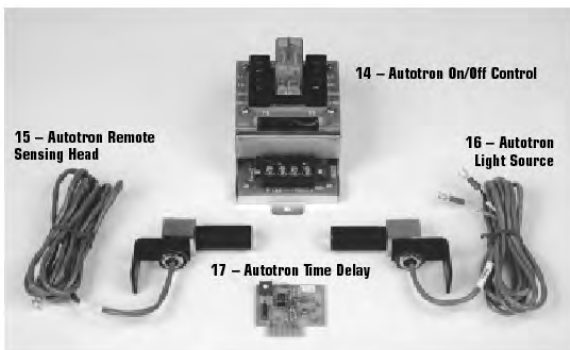
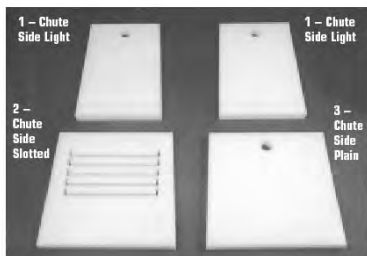
We carry parts for all Turbo and Vogt equipment. A complete parts list for all models is too large to include. I have included pictures of some of the most requested Turbo parts. Vogt does not have pictures at this time. Please call me and I will rush to fill your order.

B & C Line Series Equipment



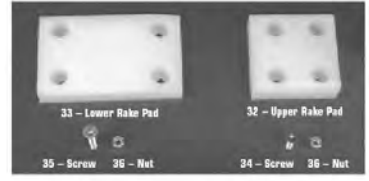
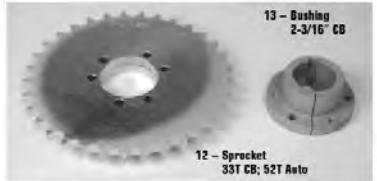
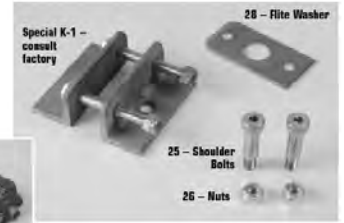


Block Presses

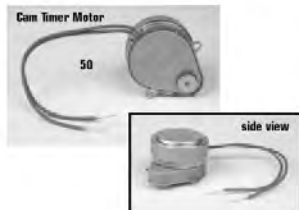




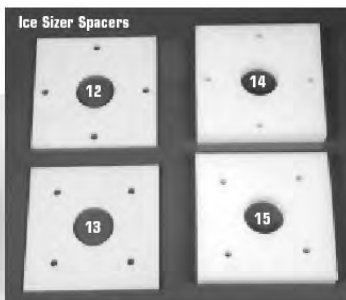
CB Hydraulic & Auto Rakes



CB Hydraulic & Auto Rakes



Ice Seizers

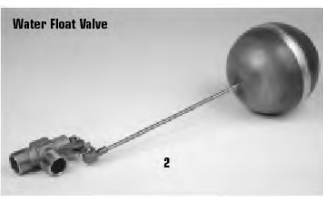




TIG & TIGAR Piping Assembly



Water Pump



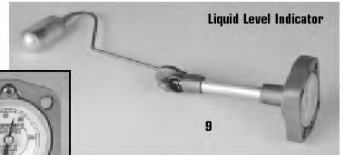
Water Float Valve



Expansion Valve Distributor



Sight Glass



Liquid Level Indicator



Expansion Valve



Solenoid Valve



Heater Cartridge



Float Switch Alarm



Heater Housing Well



Drier



Drier Core



Evaporator Plate



Relief Valve



Suction Gauge



Oil Gauge



Discharge Gauge



1 - Bushing

4 - Sheave

5 - Bearing

3 - Sheave

2 - Bushing

6 - V-Belt

7 - Motor



Oil Pressure Switch



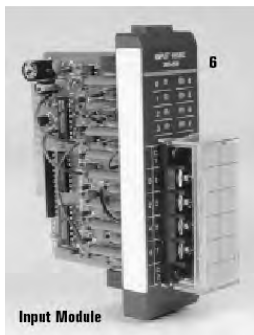
Dual Pressure Switch



Limit Switch



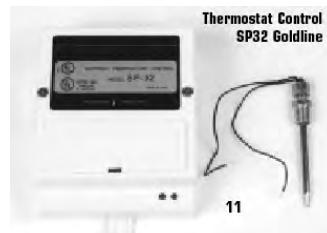
Screw Conveyor Gear Reducer



Input Module



Thermostat Control SP332 Goldline



Thermostat Control SP32 Goldline

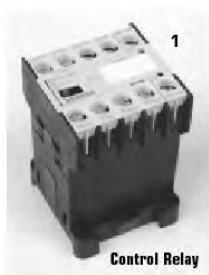


Conveyor Belt Guard

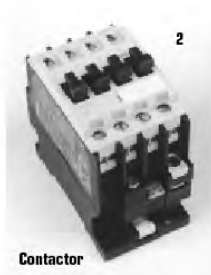




TIG & TIGAR Piping Assembly



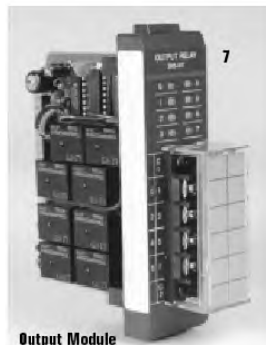
Control Relay



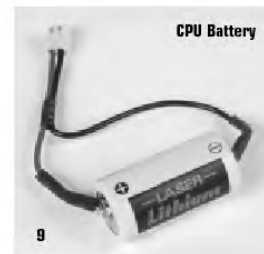
Contactor



CPU



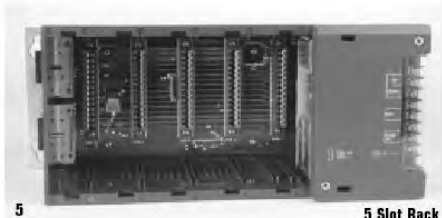
Output Module



CPU Battery



Hand Held Programmer



5 Slot Rack



EEPROM Chip

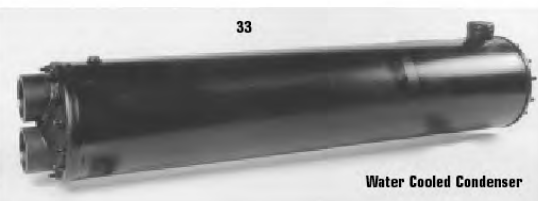


Cable

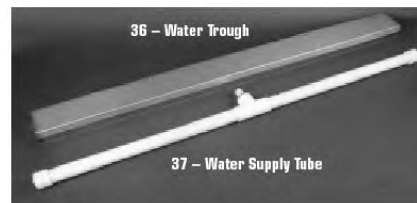
Turbo Miscellaneous Parts



Water Cooled Condenser



33



36 - Water Trough

37 - Water Supply Tube



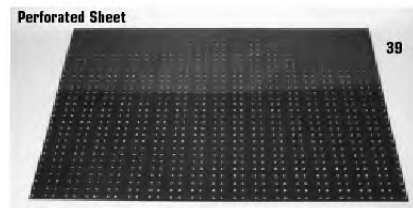
Flat Bottom Pan

38



Water Pan Filter

40



Perforated Sheet

39



STANDARD TERMS AND CONDITIONS OF SALE

Terms of Sale: The purchaser agrees that the terms and conditions set forth herein shall be applicable to all sales and services rendered by Sanchez Refrigeration Equipment Sales, Inc. (Seller), and shall supersede all printed terms and conditions set forth in purchase orders used by the Purchaser.

Payment: Unless otherwise provided in writing, full payment is due prior to shipment or delivery of goods from Seller. Prices quoted and confirmed do not include freight, Federal, State or local taxes. Any taxes will be added to the sale price unless the purchaser provides seller with the proper exemption certificate. In the event the purchaser does not tender a payment when due under this agreement, purchaser agrees to pay interest on the then due amount at the rate of 1-1/2% per month. Seller, at seller's sole discretion, may offer credit accounts upon completion of a credit application and approval.

Inspection: Purchaser has the right to inspect used equipment prior to shipment. Purchaser agrees that the inspection provisions herein are adequate and reasonable. Any attempted revocation of acceptance after the inspection period has passed will have no effect or, at the option of the seller, will constitute a breach by Purchaser of this contract.

Delivery: Materials purchased under this agreement will be shipped, F.O.B. Seller's dock or manufacturer's plant, to the location designated by the purchaser. Seller shall not be liable for the delay in deliveries resulting from any cause whatsoever. Failure to ship on a specified date shall not entitle purchaser to cancel his order without charge. Seller reserves the right to determine the method of shipment if not specified.

Insurance: The Purchaser shall assume all risk of loss or damage upon delivery to, or acceptance by freight carrier. The Purchaser shall insure for loss and damage in an amount sufficient to protect any Seller interest.

Warranty: Seller warrants to Purchaser that all warranties on new equipment or supplies sold herein are solely and exclusively those of the manufacturer. Seller makes no warranty of any kind whatsoever unless specified in writing.

Product Safety: Purchaser shall have an ongoing obligation to use only competent, reliable and adequately trained personnel who are familiar with the contents of the operator's manual and safety manuals related to any machinery sold by Seller, not to operate the machinery without all safety guards in operating order and not to remove or modify any warning labels or safety equipment from the machinery at any time.

Cancellation: If Purchaser fails to take delivery of the goods or cancels this agreement for any reason whatsoever, Purchaser agrees to pay Seller all direct and consequential damages incurred by Seller as a result of the cancellation.

Interpretation: This agreement shall be construed in accordance with the laws of the State of Florida. The parties intend to express their respective rights and obligations in this agreement. Purchaser agrees to pay all reasonable attorneys fees and costs and other costs of collection incurred by Seller in protecting its rights or property under this agreement or in prosecuting any action against the Purchaser for breach of this agreement.

Merger: This agreement contains the entire understanding between the parties, and it may not be modified except for another agreement in writing signed by all parties to this agreement. All parties to this agreement agree that no representation or statement has been made by Seller other than representations and statements contained in this agreement.

Severability: The parties agree that if one or more of the provisions of this agreement are found to be invalid for any reason, the remaining provisions shall continue to be held valid and enforceable.



Sanchez

Refrigeration Equipment Sales, Inc.

Satisfied Customers

