



# SEA

# OPERATOR'S MANUAL

■ SEA3-1100

■ SEA4-2000

■ SEA4-3000



For technical assistance or the dealer nearest you consult our web page at [www.landa.com](http://www.landa.com) or call 360-833-1600

96-722



# CONTENTS

Introduction	4
Important Safety Information	4-5
Component Identification	6
Assembly Instructions	7
Operating Instructions	8
Detergent and General Operating Instructions	9
Shutting Down Procedures	10
Troubleshooting	11-12
Preventative Maintenance	13
Oil Change Record	13
Exploded View, Left Side	14
Exploded View, Right Side	15
Exploded View Parts List	16-17
Float Tank Option Exploded View and Parts List	18-19
Hose and spray Gun Assembly and Parts List	20
Pump Assemblies Exploded View and Parts List	21
LD Pump Exploded View and Parts List	22-23
Specifications	24-25
Warranty	

Model Number \_\_\_\_\_

Serial Number \_\_\_\_\_

Date of Purchase \_\_\_\_\_

The model and serial numbers will be found on a decal attached to the pressure washer. You should record both serial number and date of purchase and keep in a safe place for future reference.

# INTRODUCTION & IMPORTANT SAFETY INFORMATION

Thank you for purchasing a Landa Pressure Washer. This manual covers the operation and maintenance of the SEA3-11024D, SEA4-20021A, SEA4-20021B, SEA4-20021C, SEA4-20021F, SEA4-20021G, SEA4-20021H, SEA4-30021B, SEA4-30021C, SEA4-30021F, SEA4-30021H, SEA4-20024A, SEA4-20024B, SEA4-20024C, SEA4-20024F, SEA4-20024G, SEA4-20024H, SEA4-30024B, SEA4-30024C, SEA4-30024F, SEA4-30024H and SEA4-30024N washers. All information in this manual is based on the latest product information available at the time of printing.

Landa, Inc. reserves the right to make changes at any time without incurring any obligation.

## Owner/User Responsibility:

The owner and/or user must have an understanding of the manufacturer's operating instructions and warnings before using this Landa pressure washer. Warning information should be emphasized and understood. If the operator is not fluent in English, the manufacturer's instructions and warnings shall be read to and discussed with the operator in the operator's native language by the purchaser/owner, making sure that the operator comprehends its contents.


Owner and/or user must study and maintain for future reference the manufacturers' instructions.

**This manual should be considered a permanent part of the machine and should remain with it if machine is resold.**

When ordering parts, please specify model and serial number.

## IMPORTANT SAFETY INFORMATION

**CAUTION**



**READ OPERATOR'S MANUAL THOROUGHLY PRIOR TO USE.**

**CAUTION:** To reduce the risk of injury, read operating instructions carefully before using.

1. Read the owner's manual thoroughly. Failure to follow instructions could cause malfunction of the machine and result in death, serious bodily injury and/or property damage.
2. Know how to stop the machine and bleed pressure quickly. Be thoroughly familiar with the controls.
3. Stay alert — watch what you are doing.
4. All installations must comply with local codes. Contact your electrician, plumber, utility company or the selling distributor for specific details.

To comply with the National Electrical code (NFPA 70) and provide additional protection from risk of electric shock, these pressure washers are equipped with a UL approved ground fault circuit interrupter (GFCI) power cord.

**WARNING**



**RISK OF EXPLOSION: DO NOT USE WITH FLAMMABLE LIQUIDS.**

**WARNING:** Flammable liquids can create fumes which can ignite causing property damage or severe injury.

**WARNING:** Risk of explosion — do not spray flammable liquids.

5. Risk of explosion — do not spray flammable liquids or operate in an explosive location.

**WARNING**



**KEEP WATER SPRAY AWAY FROM ELECTRICAL WIRING.**

**WARNING:** Keep water spray away from electrical wiring or fatal electric shock may result.

6. To protect the operator from electrical shock, the machine must be electrically grounded. It is the responsibility of the owner to connect this machine to a UL grounded receptacle

of proper voltage and amperage ratings. Do not spray water on or near electrical components. Do not touch machine with wet hands or while standing in water. Always disconnect power before servicing.

7. Grip cleaning wand securely with both hands before starting. Failure to do this could result in injury from a whipping wand.

**WARNING**



**HIGH PRESSURE STREAM CAN PIERCE SKIN AND TISSUES.**

**WARNING:** High pressure stream of fluid that this equipment can produce can pierce skin and its underlying tissues, leading to serious injury and possible amputation.

8. High pressure developed by these machines will cause personal injury or equipment damage. Use caution when operating. Do not direct discharge stream at people, or severe injury or death will result.
9. Never make adjustments on machine while in operation.

**WARNING**



**USE PROTECTIVE EYEWEAR WHEN OPERATING EQUIPMENT.**

**WARNING:** High pressure spray can cause paint chips or other particles to become airborne and fly at high speeds.

10. Eye safety devices and foot protection must be worn when using this equipment.

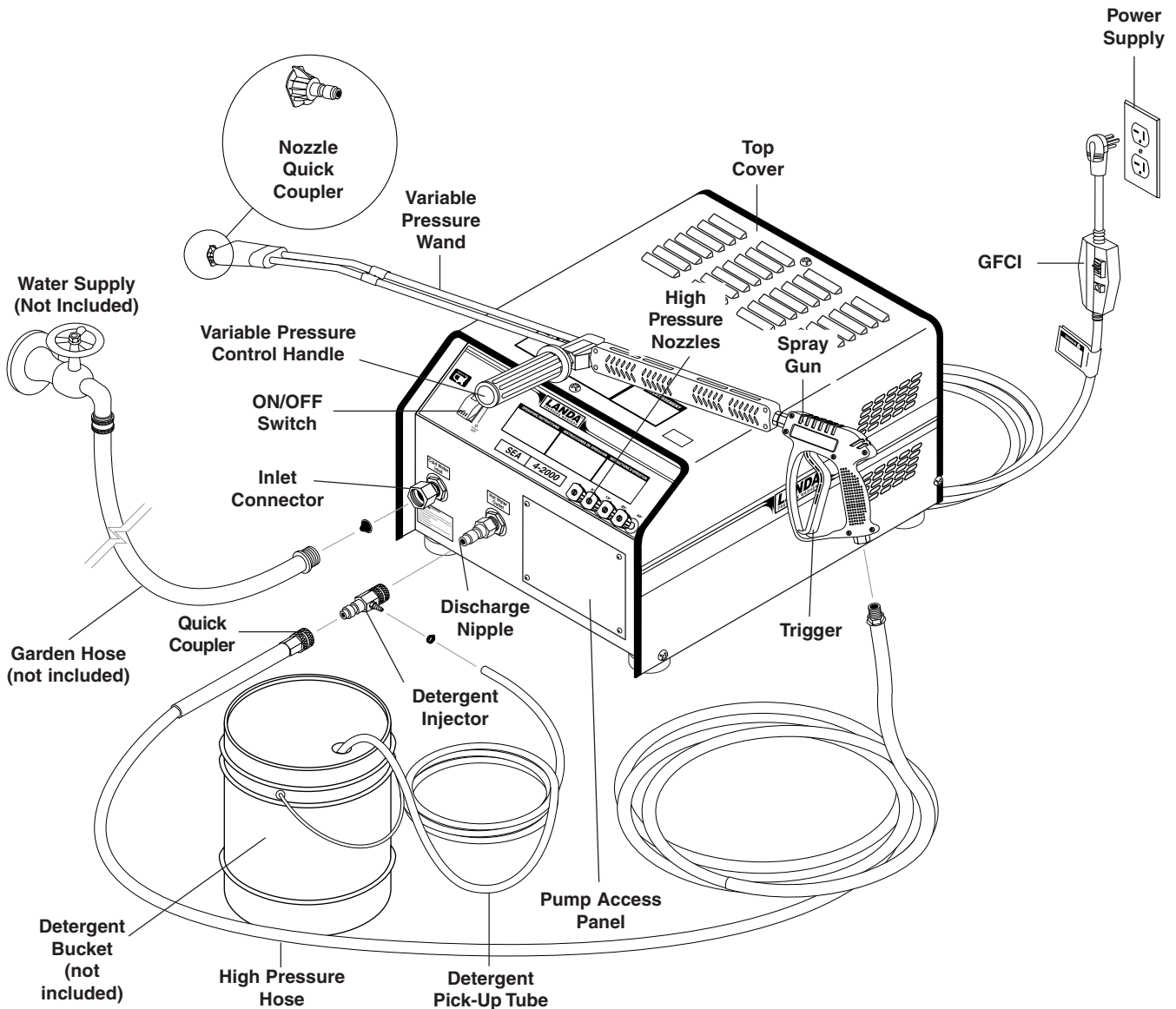
---

## IMPORTANT SAFETY INFORMATION

---

11. When the machine is working, do not cover or place in a closed space where ventilation is insufficient.
12. Protect from freezing.
13. Be certain all quick coupler fittings are secured before using pressure washer.
14. Do not allow acids, caustic or abrasive fluids to pass through the pump.
15. Inlet water must be no hotter than 90° and clean fresh water.
16. The best insurance against an accident is precaution and knowledge of the machine.
17. *LANDA* will not be liable for any changes made to our standard machines or any components not purchased from *LANDA*.
18. To reduce the risk of injury, close supervision is necessary when a machine is used near children. Do not allow children to operate the pressure washer. **This machine must be attended during operation.**
19. Do not operate this machine when fatigued or under the influence of alcohol or drugs.
20. Keep operating area clear of all persons.
21. Do not overreach or stand on unstable support. Keep good footing and balance at all times.
22. Follow the maintenance instructions specified in the manual.

## COMPONENT IDENTIFICATION



**Detergent Injector** - Allows you to siphon and mix detergents.

**High Pressure Hose** — Connect one end to water pump discharge nipple and the other end to spray gun.

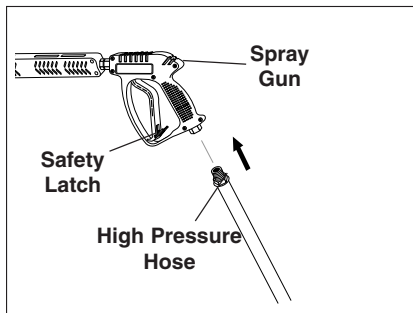
**Spray Gun** — Controls the application of water and detergent onto cleaning surface with trigger device. Includes safety latch.

**Wand** — Must be connected to the spray gun.

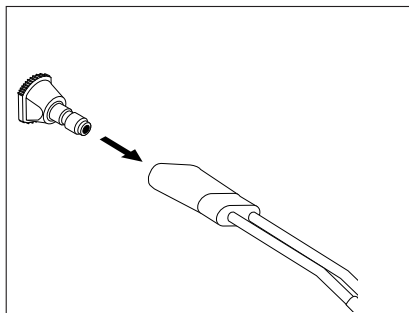
**Swivel Connector** - Allows free range of movement to avoid coiling hoses.

**Note:** If trigger on spray gun is released for more than 2 minutes, water will leak from valve. Warm water will discharge from pump protector onto floor. This system prevents internal pump damage.

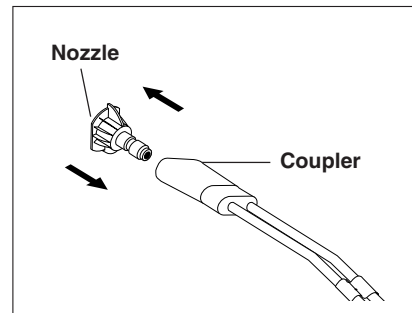
# ASSEMBLY INSTRUCTIONS



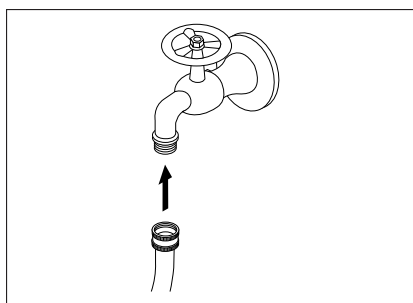
**STEP 1:** Attach the high pressure hose to the spray gun using teflon tape on hose threads.



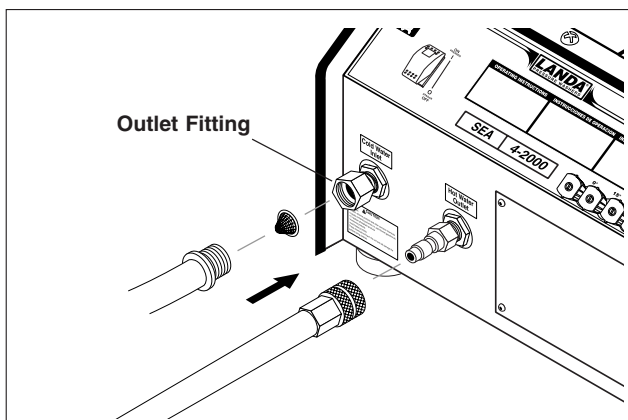
**STEP 2:** Insert nozzle into coupler.



**STEP 3:** Release the coupler collar and push the nozzle until the collar clicks. Pull the nozzle to make sure it is seated properly.

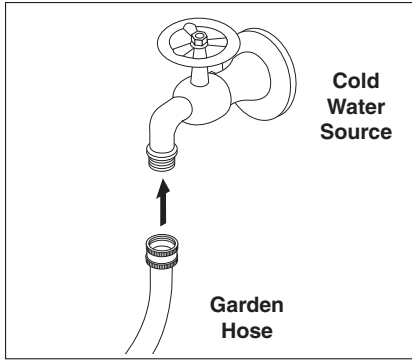


**STEP 4:** Connect garden hose to the cold water source.

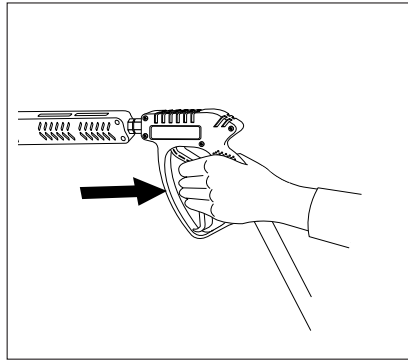


**STEP 5:** Connect the high pressure hose to the outlet discharge fitting. Push coupler collar forward until secure. Connect the garden hose to pump water inlet. Inspect inlets. **CAUTION: Do not run the pump without water or pump damage will result.**

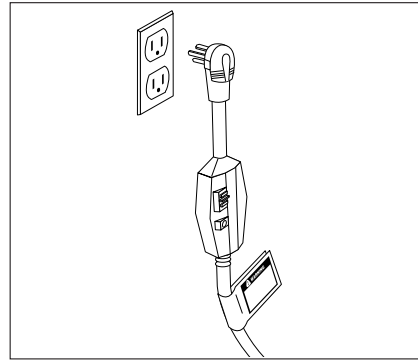
# OPERATING INSTRUCTIONS



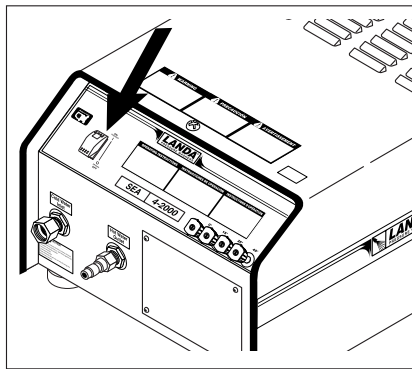
**STEP 1:** Connect garden hose to the cold water source and turn water on completely. Never use hot water.



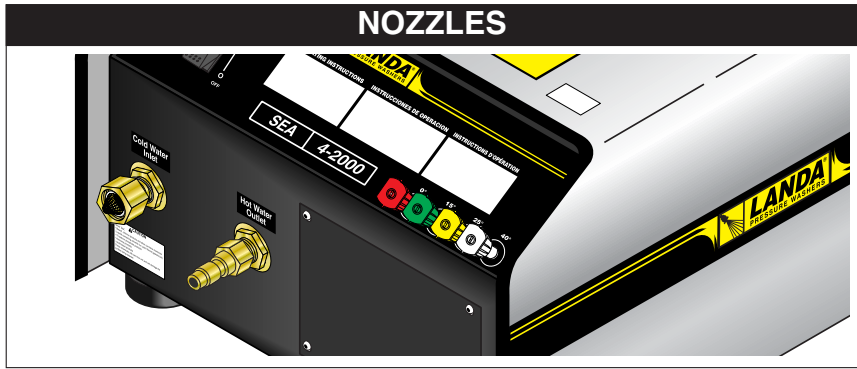
**STEP 2:** Trigger the spray gun to eliminate trapped air then wait for a steady flow of water to emerge from the spray nozzle.



**STEP 4:** Connect to appropriate power supply.



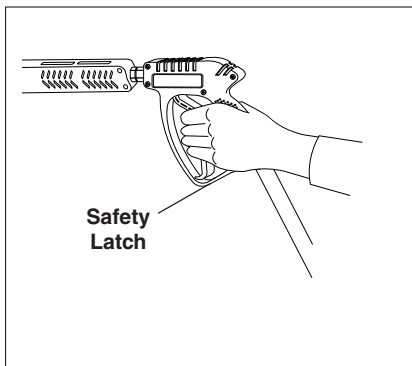
**STEP 4:** Turn machine on by flipping switch at front of machine.



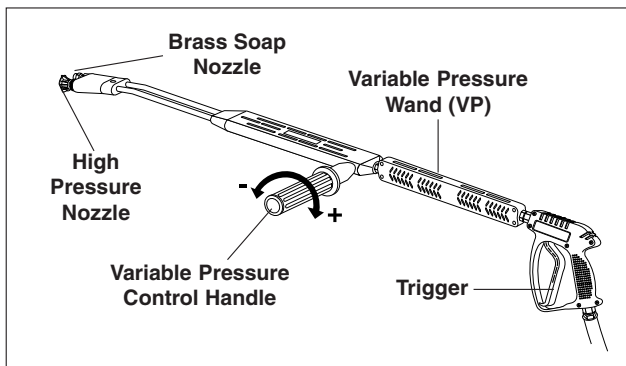
## NOZZLES

The five color-coded quick connect nozzles provide a wide array of spray widths from 0° to 45° and are easily accessible when placed in the convenient rubber nozzle holder, which is provided on the front of the machine.

**NOTE:** For a more gentle rinse, select the white 40° or green 25° nozzle. To scour the surface, select the yellow 15° or red 0° nozzle. To apply detergent select the black nozzle.



**⚠ WARNING!** Never replace nozzles without engaging the safety latch on the spray gun trigger.



Selection of high or low pressure is accompanied by turning the handle. **Note:** High pressure nozzle must be inserted at end of wand to obtain high pressure. To apply soap read operator's manual.

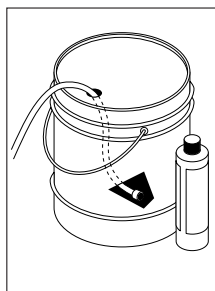


# DETERGENT AND GENERAL OPERATING TECHNIQUES

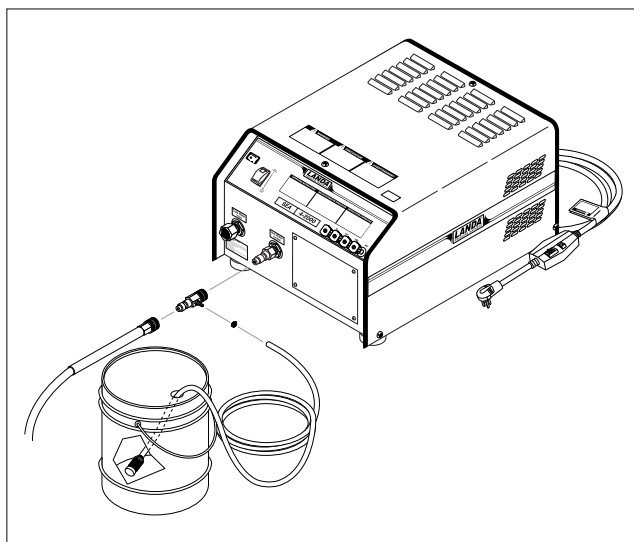


## WARNING

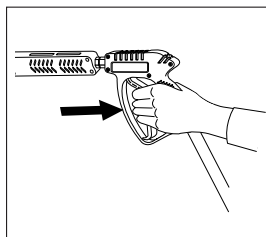
**WARNING:** Some detergents may be harmful if inhaled or ingested, causing severe nausea, fainting or poisoning. The harmful elements may cause property damage or severe injury.



**STEP 1:** Use detergent designed specifically for pressure washers. Household detergents could damage the pump. Prepare detergent solution as required by the manufacturer. Fill a container with pressure washer detergent. Place the filter end of detergent suction tube into the detergent container.



**STEP 2:** Apply safety latch to spray gun trigger. Secure black detergent nozzle into quick coupler. **NOTE:** Detergent cannot be applied using the Yellow nozzle.



**STEP 3:** With the engine running, pull trigger to operate machine. Liquid detergent is drawn into the machine and mixed with water. Apply detergent to work area. Do not allow detergent to dry on surface.

**IMPORTANT:** You must flush the detergent injection system after each use by placing the suction tube into a bucket of clean water, then run the pressure washer in low pressure for 1-2 minutes.

## THERMAL PUMP PROTECTION

If you run the engine on your pressure washer for 3-5 minutes without pressing the trigger on the spray gun, circulating water in the pump can reach high tempera-

tures. When the water reaches this temperature, the pump protector engages and cools the pump by discharging the warm water onto the ground. This thermal device prevents internal damage to the pump.

## CLEANING TIPS

Pre-rinse cleaning surface with fresh water. Place detergent suction tube directly into cleaning solution and apply to surface at low pressure (for best results, limit your work area to sections approximately 6 feet square and always apply detergent from bottom to top). Allow detergent to remain on surface 1-3 minutes. Do not allow detergent to dry on surface. If surface appears to be drying, simply wet down surface with fresh water. If needed, use brush to remove stubborn dirt. Rinse at high pressure from top to bottom in an even sweeping motion keeping the spray nozzle approximately 1 foot from cleaning surface. Use overlapping strokes as you clean and rinse any surface. For best surface cleaning action spray at a slight angle.

### Recommendations:

- Before cleaning any surface, an inconspicuous area should be cleaned to test spray pattern and distance for maximum cleaning results.
- If painted surfaces are peeling or chipping, use extreme caution as pressure washer may remove the loose paint from the surface.
- Keep the spray nozzle a safe distance from the surface you plan to clean. High pressure wash a small area, then check the surface for damage. If no damage is found, continue to pressure washing.

### CAUTION - Never use:

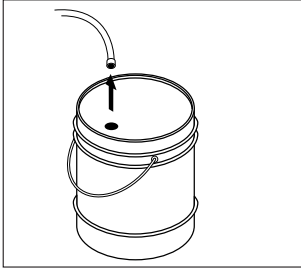
- Bleach, chlorine products and other corrosive chemicals
- Liquids containing solvents (i.e., paint thinners, gasoline, oils)
- Tri-sodium phosphate products
- Ammonia products
- Acid-based products

These chemicals will harm the machine and will damage the surface being cleaned.

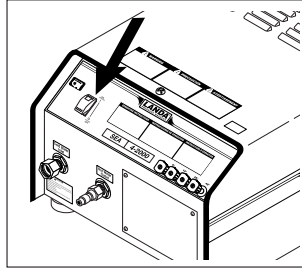
## RINSING

- It will take a few seconds for the detergent to clear. Apply safety latch to spray gun. Remove black soap nozzle from the quick coupler. Select and install the desired high pressure nozzle. **NOTE:** You can also stop detergent from flowing by simply removing detergent siphon tube from bottle.

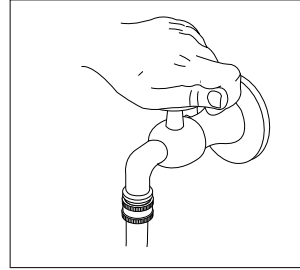
## SHUTTING DOWN AND CLEAN-UP



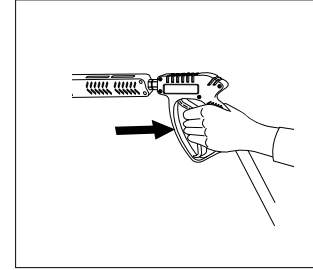
**STEP 1:** Remove detergent suction tube from container and insert into one gallon of fresh water. Slide nozzle forward for low pressure or to connect blackdetergent nozzle. Pull trigger on spray gun and siphon water for one minute.



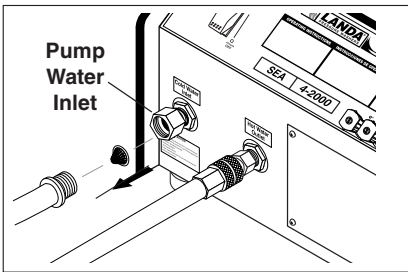
**STEP 2:** Turn off machine by flipping switch on front of motor.



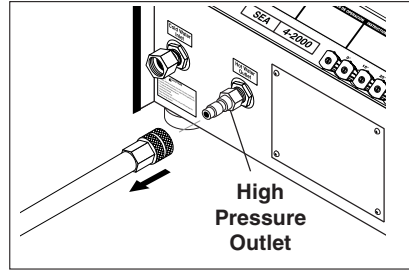
**STEP 3:** Turn off water supply.



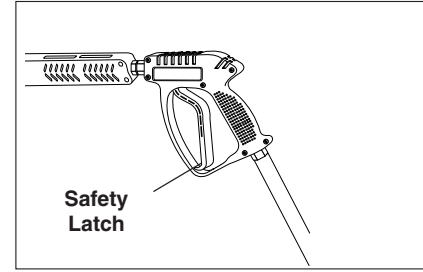
**STEP 4:** Press trigger to release water pressure.



**STEP 5:** Disconnect the garden hose from the water inlet on the machine.



**STEP 6:** Disconnect the high pressure hose from high pressure outlet.



**STEP 7:** Engage the spray gun safety lock.

## STORAGE

### Pump Storage



**CAUTION**

**CAUTION:** Always store your pressure washer in a location where the temperature will not fall below 32° F (0° C). The pump in this machine is susceptible to permanent damage if frozen.

**FREEZE DAMAGE IS NOT COVERED BY WARRANTY.**

If you must store your pressure washer in a location where the temperature is below 32° F, you can minimize the chance of damage to your machine by draining your machine as follows:

1. Stop the pressure washer and detach supply hose and high pressure hose. Squeeze the trigger of the spray gun to drain all water from the wand and hose.
2. Restart pressure washer and let it run briefly (about 5 seconds) until water no longer discharges from the high pressure outlet.

## TROUBLESHOOTING

<b>PROBLEM</b>	<b>POSSIBLE CAUSE</b>	<b>SOLUTION</b>
<b>PUMP RUNNING NORMALLY BUT PRESSURE LOW ON INSTALLATION</b>	Pump sucking air	Check water supply and possibility of air seepage.
	Check valves sticking	Check and clean or replace if necessary.
	Unloader valve seat faulty	Check and replace if necessary.
	Nozzle incorrectly sized	Check and replace if necessary.
	Worn piston packing	Check and replace if necessary.
<b>FLUCTUATING PRESSURE</b>	Valves worn	Check and replace if necessary.
	Blockage in valve	Check and clean out if necessary.
	Pump sucking air	Check water supply connections.
	Worn piston packing	Check and replace if necessary.
	Insufficient water	Check filter and hose for breakage.
<b>PRESSURE LOW AFTER PERIOD OF NORMAL USE</b>	Nozzle worn	Check and replace if necessary.
	Suction or delivery valves worn	Check and replace if necessary.
	Suction or delivery valves blocked	Check and clean if necessary.
	Unloader valve seat worn	Check and replace if necessary.
	Unloader adjusted improperly	Call local Landa dealer.
	Worn piston packing	Check and replace if necessary.
	Bypass valve within unloader is obstructed or leaking	Remove and clean bypass cartridge.
<b>PUMP NOISY</b>	Air in suction line	Check water supply and connections on suction line.
	Broken or weak suction or delivery valve spring	Check and replace if necessary.
	Foreign matter in valves	Check and clean if necessary.
	Worn bearings	Check and replace if necessary.
	Excessive temperature of water	Reduce to below 140° F.

## TROUBLESHOOTING

PROBLEM	POSSIBLE CAUSE	SOLUTION
<b>PRESENCE OF WATER IN PUMP OIL</b>	Oil seal worn	Check and replace if necessary.
	High humidity in air	Check and change oil twice as often.
	Piston packing worn	Check and replace if necessary.
<b>WATER DRIPPING FROM UNDER PUMP</b>	Piston packing worn	Check and replace if necessary.
	O-Ring plunger retainer worn	Check and replace if necessary.
<b>OIL DRIPPING FROM PUMP</b>	Oil seal worn	Check and replace if necessary.
<b>EXCESSIVE VIBRATION IN HIGH PRESSURE HOSE</b>	Irregular functioning of the pump valves	Check and replace if necessary.
	Obstruction in filter	Clean inlet filter.
<b>MOTOR WILL NOT RUN</b>	Motor overload	Push in the overload button located on the motor (single phase) or the overload button on the magnetic start switch (three phase).
	Stepdown transformer fuses	Check fuses and voltage. Replace if necessary.
	Coil of magnetic starter defective	Replace coil after the timer and unloader switch have been tested.
<b>MACHINE WILL NOT TURN ON WHEN SWITCH IS PUSHED</b>	Timer is defective	Join wires 15 and 16 together on timer. If machine works, replace timer.

## PREVENTATIVE MAINTENANCE

### PREVENTATIVE MAINTENANCE

This pressure washer was produced with the best available materials and quality craftsmanship. However, you as the owner, have certain responsibilities for the correct care of the equipment. Attention to regular preventative maintenance procedure will assist in preserving the performance of your equipment. Contact your dealer for maintenance. Regular preventative maintenance will add many hours to the life of your pressure washer. Perform maintenance more often under severe conditions.

<b>MAINTENANCE SCHEDULE</b>		
<b>Pump Oil</b>	Inspect	25 Hours or Weekly
	Change	Yearly
<b>Check Valve Clearance</b>		Yearly
<b>Water Filter</b>	Inspect	Every 6 Hours or Daily
	Clean	Yearly

### OIL CHANGE RECORD

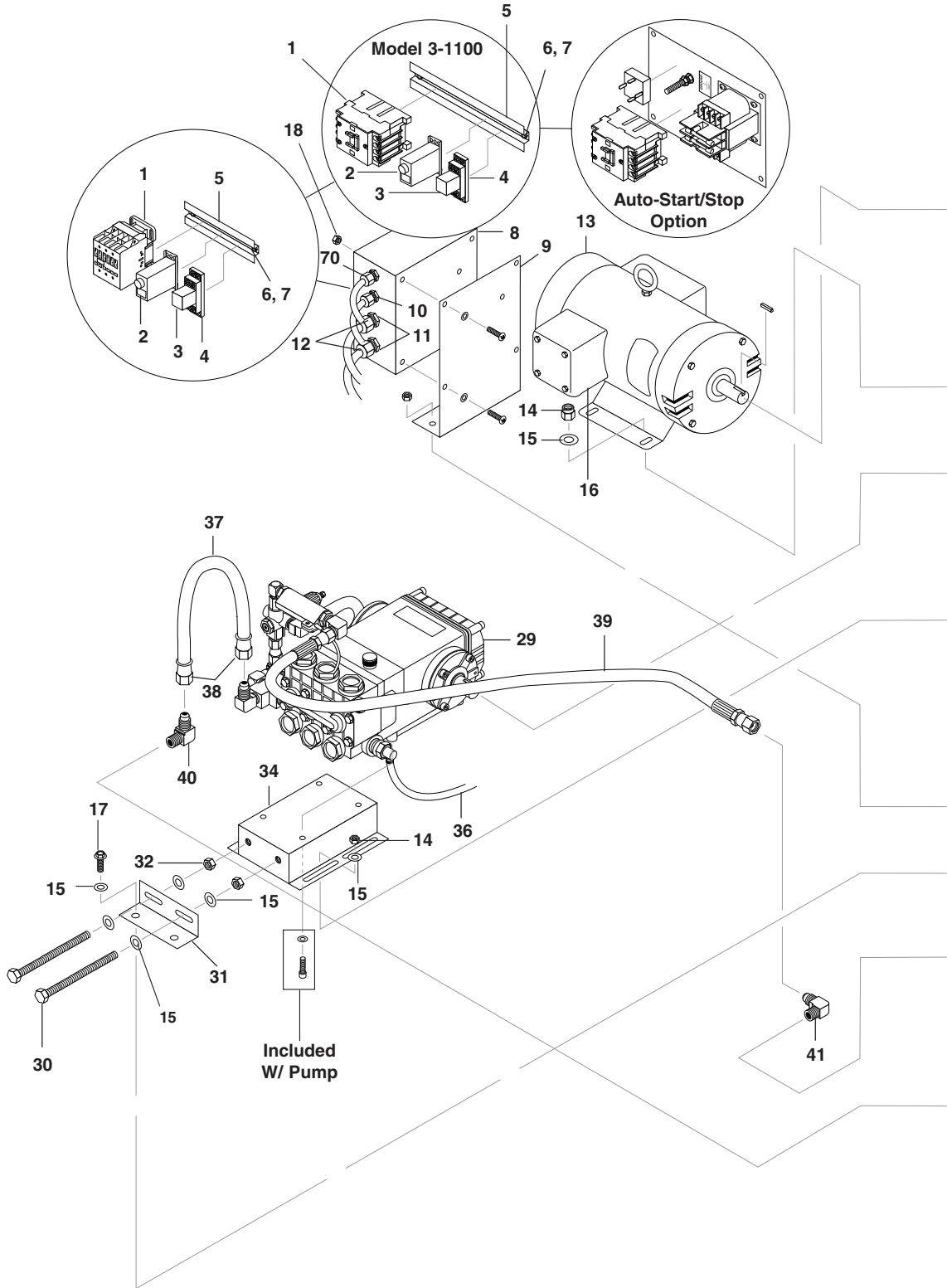
Check pump oil level before first use. Change pump oil after first 50 hours and every month or 500 hours thereafter.

Use SAE 30 weight oil.

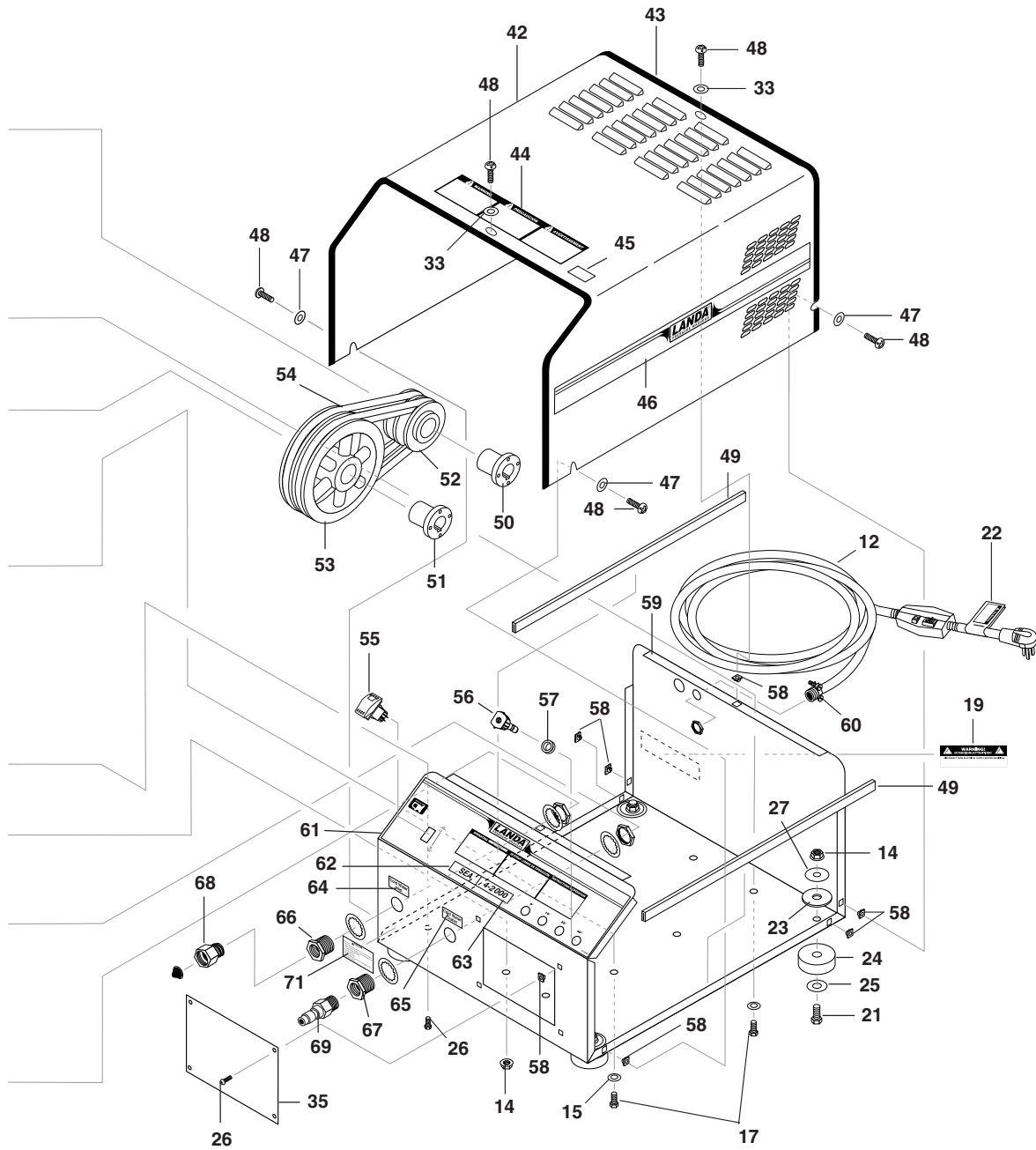
Date Oil Changed Month/Day/Year	Estimated Operating Hours Since Last Oil Change

Date Oil Changed Month/Day/Year	Estimated Operating Hours Since Last Oil Change

# EXPLODED VIEW-LEFT SIDE



# EXPLODED VIEW-RIGHT SIDE





## EXPLODED VIEW PARTS LIST

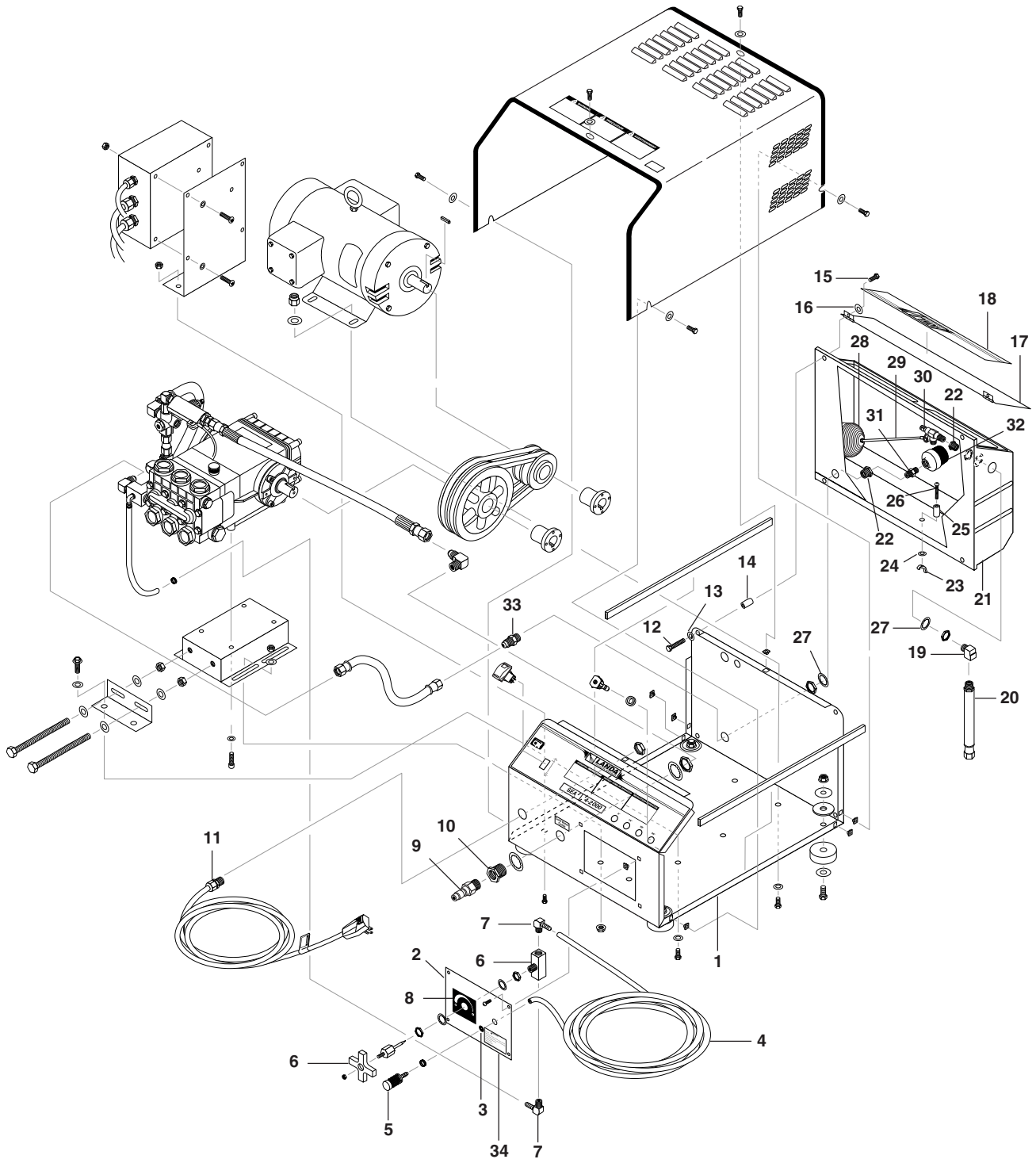
ITEM	PART NO.	DESCRIPTION	QTY	ITEM	PART NO.	DESCRIPTION	QTY
1		Contactors, See Specifications Pages	1	16	6-0517	▲ Strain Relief, 3/4" (3-1100D; 4-2000A,B,C,F,G,H; 4-3000B,C)	1
		Overload, See Specifications Pages	1				
		Transformer, See Specifications Pages	1	6-05171	▲ Strain Relief, 1" (4-2000F,H,N)	1	
		Primary Fuse, See Specifications Pages	2				
		Secondary Fuse, See Specifications Pages	1				
2	6-03700	Timer, Multi-Function, 24V-120/240V	1	17	90-10162	Bolt, 3/8" x 1" SS (3-1100)	6
3	6-03621	Relay, 120V, RH2B-UL-AC120	1		90-10060	Bolt, 5/16" X 3/4" SS (3-1100)	10
4	6-03541	Base, Relay, SH2B-05, IDEC	1	18	90-20001	Nut, 1/4" ESNA, NC, SS	4
5	6-021595	Rail Track	6"	19	10-08021	Label, Electrical Disconnect Warning	2
6	90-1991	Screw, 10/32" x 1/2" BH SOC, Black (All models except 3-1100)	1	20	11-1042	▲ Label, Ground	1
	90-1994	Screw, 10/32" x 1-1/4" RH, SL, Blk (3-1100)	1 2	21	90-10181	Bolt, 3/8" x 1-1/2", HH NC, SS	4
7	90-017	Nut, 10/32" KEP (w/Standoff Plate)	6	22	10-08018	Label, GFCI Warning	1
			10	23	2-0108	Bumper Pad, Engine	4
8	6-03907	Box, Plastic 8" x 8" x 4" (3- 1100)	1	24	2-01041	Pad, Soft Rubber, Duro 50	4
	6-03909	Box, Plastic 10" x 8" x 6" w/Lid (4-2000, 4-3000)	1	25	90-401250	Washer, 3/8" x 1", SS	4
9	95-07603907	Bracket, Support for Elec. Box	1	26	90-19923	Screw, 1/4" x 1/2", BH SOL C/S SS	6
10	6-05153	Strain Relief, 1/2" Straight, Med	1	27	90-40071	Washer, 7/16" x 2-1/2", Zinc	4
	6-05181	▲ Locknut, 1/2"	1	28	2-0053	Nipple, 1/2" JIC, 3/8" Pipe	1
11	6-051595	Strain Relief, 3/4" Straight, Large (4-2000, 4-3000)	2	29	Pump, See Specifications Pages	1	
	6-05172	▲ Locknut, 3/4" (4-2000, 4-3000)	2	1-0101	▲ Kit, Valve, HOTKIT T-991 (3-1100)	1	
	6-05153	Strain Relief, 1/2" Straight, Med. (3-1100)	2	1-0220	▲ Kit 100 (HOTKIT) 190°, (4-2000, 4-3000) General Pump Only	1	
	6-05181	▲ Locknut, 1/2" (3-1100)	2	1-K19RD	▲ Kit, Teflon Packings (3-1100)	1	
	12	6-01041	Cord, Service, 12/3 SJOWA (3-1100)	4.25 ft.	30	90-102201	Bolt, 3/8" x 3-1/2", Tap, SS
	6-0105	Cord, Service, SEO, 12/4 (4-2000B, C, F, H, 4-3000C, F, N)	13.33 ft.	31	95-07141110	Retainer, Pump Take UP	1
	6-01059	GFCI, 240V 30A, w/36' 10-3 Cord (4-2000A,G)	1	32	90-50056	Nut, 3/8", SS	2
	6-01060	GFCI, 120V 20A, w/36' 12-3 Cord (3-1100)	1	33	90-40021	Washer, SAE, Flat, SS	2
	6-0108	Cord, Service, SEO 10/3 (4-2000A,G)	3.33 ft.	34	95-07121112	Rail, Pump	1
	6-0109	Cord, Service, SEO, 10/4 (4-3000B,H )	13.33 ft.	35	95-07111016	Cover, Access Hole, SEA	1
13		Motor, See Specifications Pages	1	36	4-02100000	Hose, 1/4" Push-on	1.66 ft.
14	90-20063	Nut, 3/8" Whiz Loc SS (3-1100)	10	37	4-02110000	Hose, 1/2" Push-on	1 ft.
	90-20062	Nut, 5/16" SS Whiz Loc (3-1100)	14 4	38	2-1105	Swivel, 1/2" JIC Fem, Push-on	2
15	90-40021	Washer, 3/8", SAE, SS (3-1100)	10	39	4-02047720	Hose, 3/8" x 20", 2 Wire, Pressure Loop	1
		(4-2000, 4-3000)	14	40	2-1062	Elbow, 1/2" JIC x 3/8", 90°	1
	90-40010	Washer, 5/16" Flat SS (3-1100)	4	41	2-0053	Elbow, 1/2" JIC x 3/8", 90°	1
				42	95-07111011	Cover, SEA, Stainless Steel	1
				43	2-01104	Trim, 1/16", Black	8.25 ft.
				44	10-99072	Label, Warning Instructions	1
				45	10-02028	Label, Warning - Exposed Pulleys	1
				46	10-99079	Label, SEA Series Stripe	2
				47	90-40061	Washer, 5/16" x 1-1/4", Fender SS	4



## EXPLODED VIEW PARTS LIST

ITEM	PART NO.	DESCRIPTION	QTY	ITEM	PART NO.	DESCRIPTION	QTY
48	90-1806	Screw, 1/4" x 1/2" SS, Phil, PH	6	57	2-0103	Grommet, Rubber, Nozzle Holder	4
49	2-01107	Weather-strip, 1/8" x 1/2"	3.5 ft.	58	2-0114	Nut, 1/4" Square Head	12
50	Motor Bushing, See Specifications Pages		1	59	95-07111010	Cabinet, SEA, SS	1
51	Pump Bushing, See Specifications Pages		1	60	6-05171	Strain Relief, 1"	1
52	Motor Pulley, See Specifications Pages		1	61	10-03000	Label, SEA Control Panel	1
53	Pump Pulley, See Specifications Pages		1	62	10-020SEA	Label, SEA	1
54	Belt, See Specifications Pages		2	63	10-2031100	Label, 3-1100	1
55	6-020241	Switch, Rocker, Carling, M-Circuit, Red	1	10-2042000	Label, 4-2000	1	
	6-020240	Switch, Rocker, Carling, w/Green Light (Auto Start Option)	1	10-2043000	Label, 4-3000	1	
56	4-12805500	Nozzle, 00055, Red (3-1100)	1	64	10-09003	Label, Cold Water Inlet	1
	4-12805515	Nozzle, 15055, Yellow (3-1100)	1	65	10-09002	Label, Cold Water Outlet	1
	4-12805525	Nozzle, 25055, Green (3-1100)	1	66	2-11041	Connector, 1/2" Anchor	1
	4-12805540	Nozzle, 40055, White (3-1100)	1	67	2-11039	Connector, 3/8" Anchor	1
	4-12806000	Nozzle, 0006, Red (All 4-2000 Models Except 4-20024F)	1	68	2-10942	Swivel, 1/2" MP x 3/4" GHP w/Strainer	1
	4-12806015	Nozzle, 1506, Yellow (All 4-2000 Models Except 4-20024F)	1	69	2-2007	Nipple, 3/8" x 3/8" NPT ST Male	1
	4-12806025	Nozzle, 2506, Green (All 4-2000 Models Except 4-20024F)	1	70	6-05152	Strain Relief, 1/2" Small	1
	4-12806040	Nozzle, 4006, White (All 4-2000 Models Except 4-20024F)	1	6-05181	▲ Locknut, 1/2"	1	
	4-12804000	Nozzle, 0004, Red (4-3000)	1	71	9.800-049.0	Label, Manufacturers Cleaning Solution	1
	4-12804015	Nozzle, 1504, Yellow (4-3000)	1			▲ Not Shown	
	4-12804025	Nozzle, 2504, Green (4-3000)	1				
	4-12804040	Nozzle, 4004, White (4-3000)	1				
	4-12805000	Nozzle, 0005, Red (4-20024F)	1				
	4-12805015	Nozzle, 1505, Yellow (4-20024F)	1				
	4-12805025	Nozzle, 2505, Green (4-20024F)	1				
	4-12805040	Nozzle, 4005, White (4-20024F)	1				

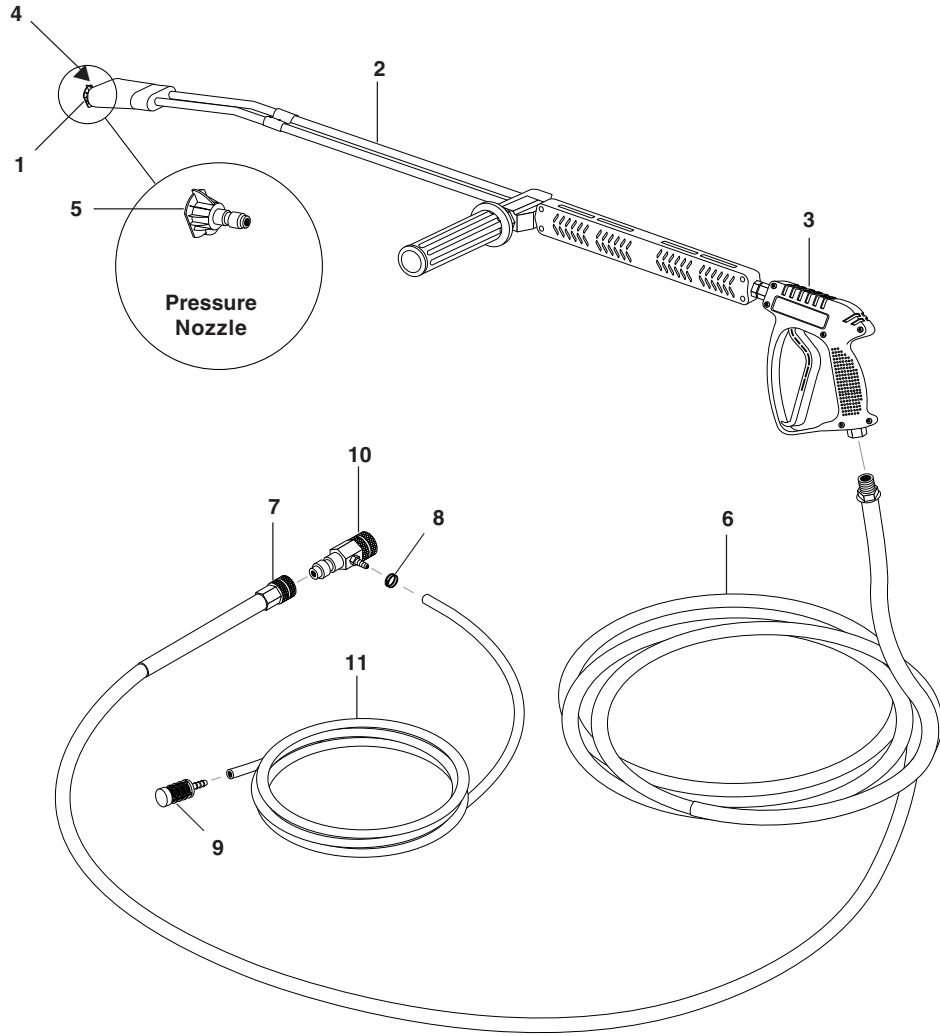
# EXPLODED VIEW - FLOAT TANK OPTION



## EXPLODED VIEW PARTS LIST

ITEM	PART NO.	DESCRIPTION	QTY	ITEM	PART NO.	DESCRIPTION	QTY
1	95-07111012	Cabinet, SEA w/Float Tank Option	1	19	2-1024	Elbow, 1/2" Street, Brass	1
2	95-07111019	Cover, Access Hole, SEA w/Valve Hole	1	20	4-0220	Connector, 8" Garden Hose	1
3	2-017	Bushing, 7/8"	1	21	2-01164	Tank, Plastic Universal Float	1
4	4-02080000	Tube, 1/4" x 1/2" Clear Vinyl	8 ft.	22	2-11041	Connector, 1/2" Anchor	2
5	2-1904	Strainer, Plastic 1/4" Hose Barb	1	23	90-4031	Nut, 5/16"-8, Wing, SS	1
6	2-3015	Valve, Flow Control	1	24	90-4032	Washer, 5/16" SS	1
7	2-1089	Hose Barb, 1/4" Barb x 1/4" Pipe, 90°	2	25	4-02140000	Tubing, 5/16" x 9/16", 50/60 Duro, Rubber	1.5"
8	10-990712	Label, Chemical Control Valve	1	26	90-4030	Screw, 5/16"-18 x 1-1/2" SS, Button Socket	1
9	2-2007	Nipple, 3/8" x 3/8" NPT ST Male	1	27	90-4017	Washer, 1-3/16" x 2-1/4", STL Rubber	2
10	2-11039	Connector, 3/8" Anchor	1	28	2-0102	Ball, Float, Black Plastic	1
11	6-051595	Strain Relief, STRT LQ Tite	1	29	2-1114	Stem, 4" Float	1
12	90-10060	Bolt, 5/16" x 3/4" NC, Grade 5, SS	4	30	2-3011	Valve, 1/2" Brass Float	1
13	90-40010	Washer, 5/16" Flat, SAE SS	4	31	2-1007	Nipple, 1/2" Hex	1
14	2-01011	Isolator, 5/16" THRD, Fem. x Fem., 1" x 1"	4	32	2-1906	Strainer, 1/2" Basket	1
15	90-100543	Screw, 5/16"-18 x 3/4" M PH TRH	4	33	2-1053	Nipple, 1/2" JIC x 1/2" MPT Pipe	1
16	90-40002	Washer, 1/4" SAE, Black, Zinc	4	34	9.800-049.0	Label, Manufacturer Cleaning Solutions	1
17	95-07121207	Lid & Hinges, Plastic Float Tank	1				
18	10-99079	Label, Stripe	1				

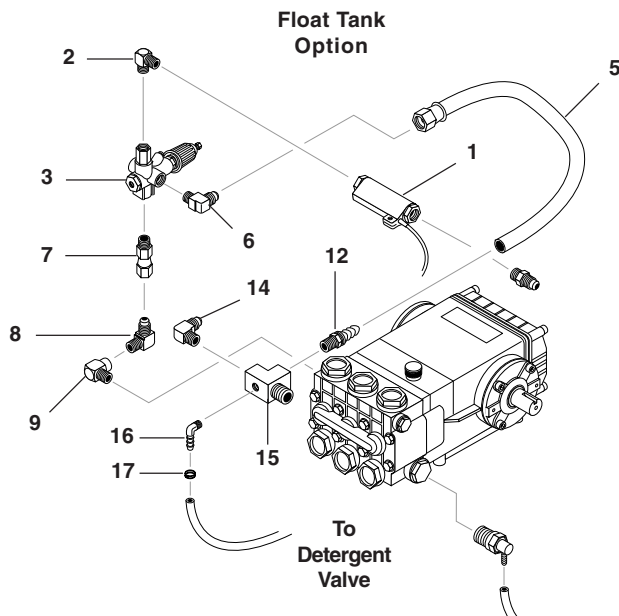
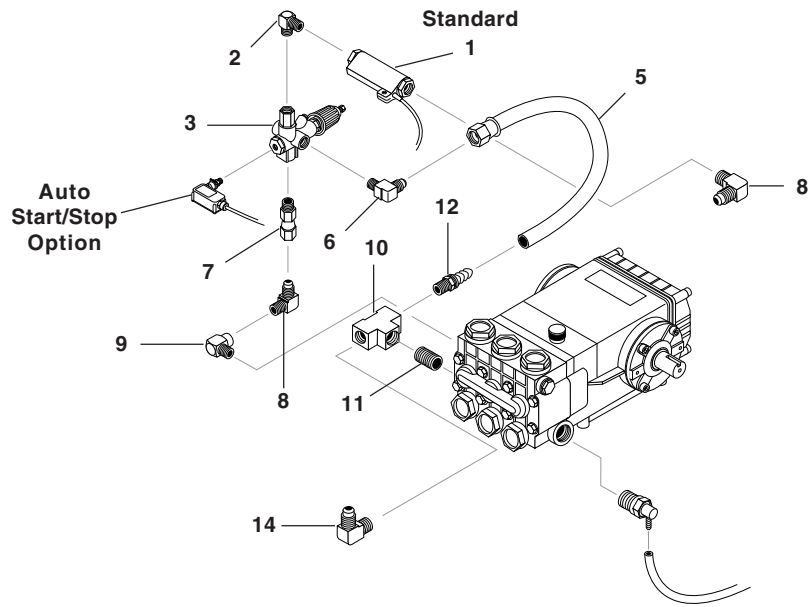
## HOSE AND SPRAY GUN ASSEMBLY



### HOSE AND SPRAY GUN PARTS LIST

ITEM	PART NO.	DESCRIPTION	QTY	ITEM	PART NO.	DESCRIPTION	QTY
1	2-2001	Coupler, 1/4" Male	1	7	2-2002	Coupler, 3/8", Female	1
	2-0119	▲ Quick Coupler, O-Ring, Sm.	1		2-0121	▲ Quick Coupler, O-Ring Lg.	1
2	4-011143A	Wand, SS, Variable Pressure	1	8	2-9040	Clamp, Hose, UNI .46 - .54	1
	83-SSVPKIT	Repair Kit, AR Stainless Seat	1	9	2-1904	Strainer, 1/4" Hose Barb	1
3	4-01212	Spray Gun, Shut-Off, Series 2000	1	10	3-12021	Injector, Detergent, Non Adjust, #3	1
4	4-06540	Soap Nozzle Only, 1/8", Brass	1	11	4-02080000	Tube, 1/4" x 1/2", Clear Vinyl 6 ft.	
5	See Pg. 11 for Correct Nozzles		1			▲ Not Shown	
6	4-02043450C	Hose, 3/8" x 50' Tuff Skin, w/Coupler	1				

# PUMP ASSEMBLIES - EXPLODED VIEW

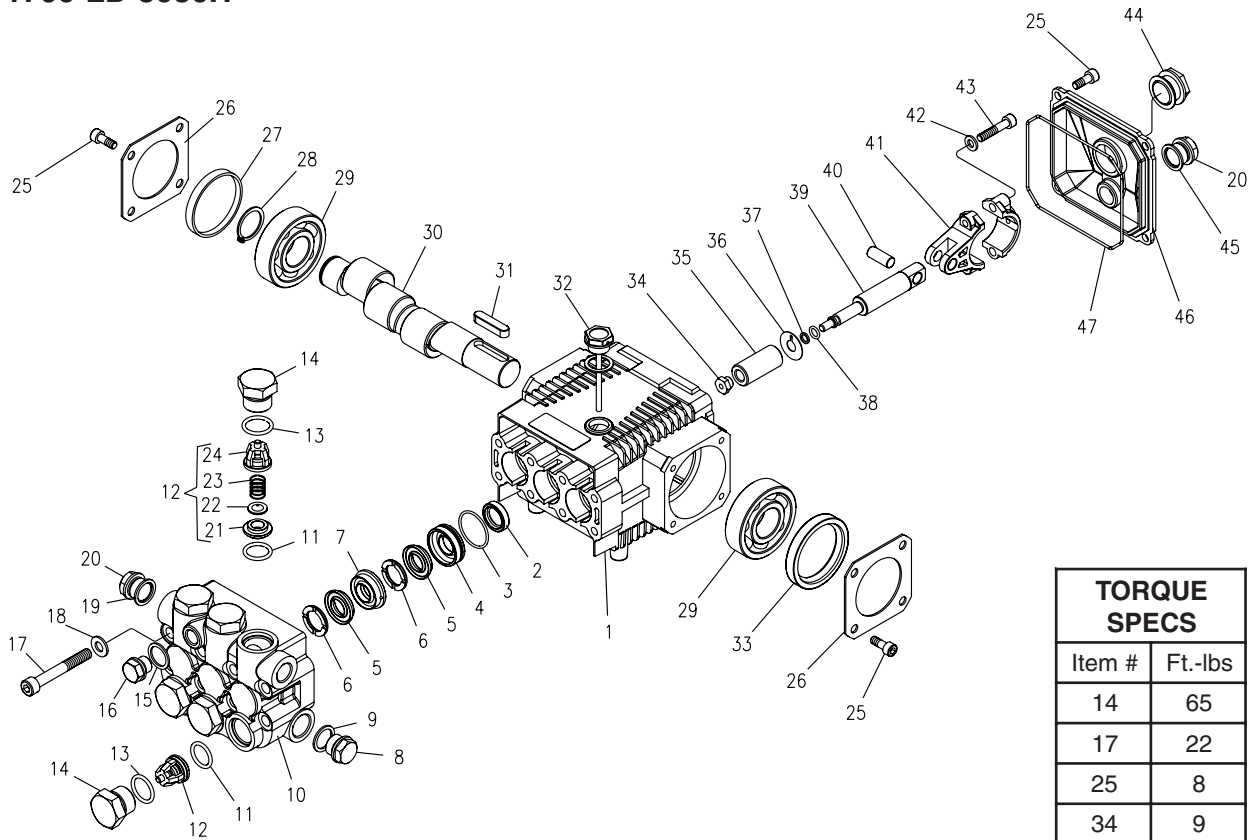


## PUMP ASSEMBLIES - PARTS LIST

ITEM	PART NO.	DESCRIPTION	QTY	ITEM	PART NO.	DESCRIPTION	QTY
1	6-021730	Switch, Flow MV60	1	7	2-0079	Swivel, 1/2" JIC Fem, 3/8" Male	1
	6-021740	Switch, Reed Replacement, MV-60	1		8	2-0053	Elbow, 1/2" JIC, 3/8", 90°
2	2-00270	Elbow, 3/8", Male, Pipe	1	9		2-0031	Elbow, 3/8" Street
		3	5-3207		Unloader, AL606, 7.8 GPM @ 3650PSI		1
	5-3027	Unloader, VB8 w/Switch (Auto Start/Stop Option)	1	11	2-1006	Nipple, 1/2" Close	1
4	2-11050	Swivel, 3/4" SAE Fem, Push-on	1			12	2-11080
5	4-02120000	Hose, 3/4" Push-on	1.66 ft.	13	2-3008150		
6	2-10622	Elbow, 3/4" JIC x 1/2", 90°	1			14	2-1062
				15	2-10421		
						16	2-1088
				17	2-9040		

## LD PUMP EXPLODED VIEW

5-1706 LD 3030H



TORQUE SPECS	
Item #	Ft.-lbs
14	65
17	22
25	8
34	9
43	13

## LD PUMP EXPLODED VIEW PARTS LIST

ITEM	PART NO.	DESCRIPTION	QTY	ITEM	PART NO.	DESCRIPTION	QTY
1	70-020292	Crankcase	1	17	70-180118	Manifold Stud Bolt	8
2*	See Kits Below	Plunger Oil Seal	3	18	70-140001	Washer	8
3*	70-060181	O-Ring Ø1.78 x 28.30	3	19	70-060306	Copper Washer 3/8	1
4*	70-120131	Pressure Ring 15mm	3	20	70-160117	Brass Plug 3/8	2
5*	See Kits Below	"V" Seal, 15mm	6	25	70-180112	Screw	12
6*	70-030048	Support Ring 15mm	6	26	70-020318	Bearing Cover	2
7*	70-030049	Intermed. Ring 15mm	3	27	70-020502	Bearing Seal	1
8	70-160120	Brass Plug 1/2"	1	28	70-150003	Snap Ring	1
9	70-060307	Copper Washer 1/2"	1	29	70-021300	Ball Bearing	2
10	70-160228	Manifold Housing	1	30	70-000605	Crankshaft	1
11*	70-060155	O-Ring Ø1.78 x 15.54	6	31	70-020604	Crankshaft Key	1
12*	See Kits Below	Valve Assembly	6	32	70-160012	Oil Dipstick	1
13*	70-060122	O-Ring Ø2.62 x 18.77	6	33	70-000110	Crankshaft Seal	1
14	70-160147	Valve Plug	6	34*	70-030211	Plunger Nut	3
15	70-060308	Copper Washer 1/4	1	35*	70-120023	Plunger, 15mm	3
16	70-160121	Brass Plug G1/4	1				

## LD PUMP EXPLODED VIEW PARTS LIST (CONT)

ITEM	PART NO.	DESCRIPTION	QTY
36*	70-140027	Copper Spacer	3
37*	70-060130	O-Ring Ø1.78 x 5.28	3
38*	70-000913	Teflon Ring	3
39*	70-000320	Plunger Rod	3
40	70-150204	Connecting Rod Pin	3
41	70-010008	Connecting Rod	3
42	70-140102	Spring Washer	6
43	70-180132	Connecting Rod Screw	6
44	70-070005	Sight Glass	1
45	70-060302	Gasket	1
46	70-020352	Crankcase Cover	1
47	70-060104	O-Ring Ø2.62 x 107.62	

\* Available in kit (See below)

REPAIR KIT NUMBER	70-261408	70-261409	70-261404	70-260028	70-260826
KIT DESCRIPTION	*Plunger Seal 15mm	**Complete Seal Packing	Plunger 15mm	Complete Valve	Plunger Oil Seals
ITEM NUMBERS INCLUDED	3, 5, 6	2, 3, 4, 5, 6, 7	34, 35, 36, 37, 38	11, 12, 13	2
NUMBER OF CYLINDERS KIT WILL SERVICE	3	1	1	6	3

## SPECIFICATIONS

### PARTS SPECIFICATIONS: LANDA PUMP

Machine		PUMP					MOTOR			
Model	Model	Part #	Pulley	Pulley Part #	Bushing	Bushing Part #	Size	Voltage/ pH/Hertz	Part #	Pulley
SEA3-11024D	LD3030H	5-1706	AK74H	5-40107401	24MM	5-512024	2HP	120V/1PH/60	5-1047	AK32X5/8"
SEA4-20024A	LT5030H	5-1730	2AK84H	5-40208401	25MM	5-512025	6HP	230V/1PH/60	5-10401	2AK46H
SEA4-20024B	LT5030H	5-1730	2AK84H	5-40208401	25MM	5-512025	6HP	230V/3PH/60	5-1011	2AK46H
SEA4-20024C	LT5030H	5-1730	2AK84H	5-40208401	25MM	5-512025	6HP	460V/3PH/60	5-1011	2AK46H
SEA4-20024F	LT5030H	5-1730	2AK84H	5-40208401	25MM	5-512025	5HP	575V/3PH/60	5-1027	2AK34H
SEA4-20024G	LT5030H	5-1730	2AK84H	5-40208401	25MM	5-512025	6HP	208V/1PH/60	5-10402	2AK44H
SEA4-20024H	LT5030H	5-1730	2AK84H	5-40208401	25MM	5-512025	6HP	208V/3PH/60	5-10111	2AK44H
SEA4-30024B	LT5030H	5-1730	2BK90H	5-40509001	25MM	5-512025	7.5HP	230V/3PH/60	5-10145	2BK40H
SEA4-30024C	LT5030H	5-1730	2BK90H	5-40509001	25MM	5-512025	7.5HP	460V/3PH/60	5-10145	2BK40H
SEA4-30024F	LT5030H	5-1730	2BK90H	5-40509001	25MM	5-512025	7.5HP	575V/3PH/60	5-10146	2BK36H
SEA4-30024H	LT5030H	5-1730	2BK90H	5-40509001	25MM	5-512025	7.5HP	208V/3PH/60	5-10144	2BK36H
SEA4-30024N	LT5030H	5-1730	2BK70H	5-40507001	25MM	5-512025	7.5HP	380V/3PH/50	5-1063	2BK34H

### PARTS SPECIFICATIONS: GENERAL PUMP

Machine		PUMP					MOTOR			
Model	Model	Part #	Pulley	Pulley Part #	Bushing	Bushing Part #	Size	Voltage/ pH/Hertz	Part #	Pulley
SEA4-20021A	T-1011	5-2304	2AK84H	5-40208401	24MM	5-512024	6HP	230V/1PH/60	5-10401	2AK54H
SEA4-20021B	T-1011	5-2304	2AK84H	5-40208401	24MM	5-512024	6HP	230V/3PH/60	5-1011	2AK54H
SEA4-20021C	T-1011	5-2304	2AK84H	5-40208401	24MM	5-512024	6HP	460V/3PH/60	5-1011	2AK54H
SEA4-20021G	T-1011	5-2304	2AK84H	5-40208401	24MM	5-512024	6HP	208V/1PH/60	5-10402	2AK54H
SEA4-20021F	T-1011	5-2304	2AK84H	5-40208401	24MM	5-512024	5HP	575V/3PH/60	5-1027	2AK54H
SEA4-20021H	T-1011	5-2304	2AK84H	5-40208401	24MM	5-512024	6HP	208V/3PH/60	5-10111	2AK54H
SEA4-30021B	TS-2021	5-2307	2BK80H	5-40508001	24MM	5-512024	7.5HP	230V/3PH/60	5-10145	2BK45H
SEA4-30021C	TS-2021	5-2307	2BK80H	5-40508001	24MM	5-512024	7.5HP	460V/3PH/60	5-10145	2BK45H
SEA4-30021F	TS-2021	5-2307	2BK80H	5-40508001	24MM	5-512024	7.5HP	575V/3PH/60	5-10146	2BK45H
SEA4-30021H	TS-2021	5-2307	2BK80H	5-40508001	24MM	5-512024	7.5HP	208V/3PH/60	5-10144	2BK45H



# SPECIFICATIONS

## MOTOR (CON'T)

## CONTROLS

Model		Bushing		Belt		Over- Stepdown Primary			Primary	Secondary	Secondary	
No#	Pulley Part #	Bushing	Part #	Size/Qty	Part #	Contacto	load	Transformer	Fuse	Fuse Part #	Fuse	Fuse Part#
3-11D	5-40103258	N/A	N/A	AX33 (1)	5-602033	6-4031	N/A	N/A	N/A	N/A	N/A	N/A
4-2A	5-40204601	HX1-1/8"	5-511113	AX34 (2)	5-602034	6-4018	N/A	6-60101	1a(2)	6-02294	1/2 AMP (1)	6-022970
4-2B	5-40204601	HX1-1/8"	5-511113	AX34 (2)	5-602034	6-4010	6-5011	6-60101	1a(2)	6-02294	1/2 AMP (1)	6-022970
4-2C	5-40204601	HX1-1/8"	5-511113	AX34 (2)	5-602034	6-4004	6-5009	6-60101	1/2a(2)	6-02295	1/2 AMP (1)	6-022970
4-2F	5-40203401	HX1-1/8"	5-511113	AX34 (2)	5-602034	6-4000	6-5007	6-60131	1/2a(2)	6-02295	1/2 AMP (1)	6-022970
4-2G	5-40204401	HX1-1/8"	5-511113	AX34 (2)	5-602034	6-4018	N/A	6-60141	1a(2)	6-02294	1/2 AMP (1)	6-022970
4-2H	5-40204401	HX1-1/8"	5-511113	AX34 (2)	5-602034	6-4013	6-5011	6-60141	1a(2)	6-02294	1/2 AMP (1)	6-022970
4-3B	5-40504001	HX1-3/8"	5-511138	BX36 (2)	5-604036	6-4010	6-5012	6-60101	1a(2)	6-02294	1/2 AMP (1)	6-022970
4-3C	5-40504001	HX1-3/8"	5-511138	BX36 (2)	5-604036	6-4004	6-5010	6-60101	1/2a(2)	6-02295	1/2 AMP (1)	6-022970
4-3F	5-40503601	HX1-3/8"	5-511138	BX36 (2)	5-604036	6-4000	6-5009	6-60131	1/2a(2)	6-02295	1/2 AMP (1)	6-022970
4-3H	5-40503601	HX1-3/8"	5-511138	BX36 (2)	5-604036	6-4013	6-5013	6-60141	1a(2)	6-02294	1/2 AMP (1)	6-022970
4-3N	5-40503401	HX1-3/8"	5-511132	BX32 (2)	5-604036	6-4010	6-5010	6-6028	1/2a(2)	6-02295	1/2 AMP (1)	6-022970

## MOTOR (CON'T)

## CONTROLS

Model		Bushing		Belt		Over- Stepdown Primary			Primary	Secondary	Secondary	
No#	Pulley Part #	Bushing	Part #	Size/Qty	Part #	Contacto	load	Transformer	Fuse	Fuse Part #	Fuse	Fuse Part#
4-2A	5-40205401	HX1-1/8"	5-511113	AX36 (2)	5-602036	6-4018	N/A	6-60101	1a(2)	6-02294	1/2 AMP (1)	6-022970
4-2B	5-40205401	HX1-1/8"	5-511113	AX36 (2)	5-602036	6-4010	6-5011	6-60101	1a(2)	6-02294	1/2 AMP (1)	6-022970
4-2C	5-40205401	HX1-1/8"	5-511113	AX36 (2)	5-602036	6-4004	6-5009	6-60101	1/2a(2)	6-02295	1/2 AMP (1)	6-022970
4-2G	5-40205401	HX1-1/8"	5-511113	AX36 (2)	5-602036	6-4018	N/A	6-60141	1a(2)	6-02294	1/2 AMP (1)	6-022970
4-2F	5-40205401	HX1-1/8"	5-511113	AX36 (2)	5-602036	6-4000	6-5007	6-60131	1/2a(2)	6-02295	1/2 AMP (1)	6-022970
4-2H	5-40205401	HX1-1/8"	5-511113	AX36 (2)	5-602036	6-4013	6-5011	6-60141	1a(2)	6-02294	1/2 AMP (1)	6-022970
4-3B	5-40504501	HX1-3/8"	5-511138	BX36 (2)	5-604036	6-4010	6-5012	6-60101	1a(2)	6-02294	1/2 AMP (1)	6-022970
4-3C	5-40504501	HX1-3/8"	5-511138	BX36 (2)	5-604036	6-4004	6-5010	6-60101	1/2a(2)	6-02295	1/2 AMP (1)	6-022970
4-3F	5-40504501	HX1-3/8"	5-511138	BX36 (2)	5-604036	6-4000	6-5009	6-60131	1/2a(2)	6-02295	1/2 AMP (1)	6-022970
4-3H	5-40504501	HX1-3/8"	5-511138	BX36 (2)	5-604036	6-4013	6-5013	6-60141	1a(2)	6-02294	1/2 AMP (1)	6-022970





## LANDA LIMITED NEW PRODUCT WARRANTY PRESSURE WASHERS

### WHAT THIS WARRANTY COVERS

All LANDA pressure washers are warranted by LANDA to the original purchaser to be free from defects in materials and workmanship under normal use, for the periods specified below. This Limited Warranty is subject to the exclusions shown below, is calculated from the date of the original purchase, and applies to the original components only. Any parts replaced under this warranty will assume the remainder of the part's warranty period.

#### FIVE YEAR PARTS AND ONE YEAR LABOR WARRANTY:

Components manufactured by LANDA, such as frames, handles, top and bottom wraps, float tanks, fuel tanks, belt guards, and heating coils. Internal components on the oil-end of LANDA pumps have a 7 year warranty.

#### ONE YEAR PARTS AND ONE YEAR LABOR WARRANTY:

All other components, excluding normal wear items as described below, will be warranted for one year on parts and labor. Parts and labor warranty on these parts will be for one year regardless of the duration of the original component manufacturer's part warranty.

#### WARRANTY PROVIDED BY OTHER MANUFACTURERS:

Motors, generators, and engines, which are warranted by their respective manufacturers, are serviced through these manufacturers' local authorized service centers. LANDA is not authorized and has no responsibility to provide warranty service for such components.

#### WHAT THIS WARRANTY DOES NOT COVER

This warranty does not cover the following items:

1. Normal wear items, such as nozzles, spray guns, discharge hoses, wands, quick couplers, seals, filters, gaskets, O-rings, packings, pistons, pump valve assemblies, strainers, belts, brushes, rupture disks, fuses, pump protectors.
2. Damage or malfunctions resulting from accidents, abuse, modifications, alterations, incorrect installation, improper servicing, failure to follow manufacturer's maintenance instructions, or use of the equipment beyond its stated usage specifications as contained in the operator's manual.
3. Damage due to freezing, chemical deterioration, scale build up, rust, corrosion, or thermal expansion.
4. Damage to components from fluctuations in electrical or water supply.
5. Normal maintenance service, including adjustments, fuel system cleaning, and clearing of obstructions.
6. Transportation to service center, field labor charges, or freight damage.

#### WHAT YOU MUST DO TO OBTAIN WARRANTY SERVICE

While not required for warranty service, we request that you register your LANDA pressure washer by returning the completed registration card. In order to obtain warranty service on items warranted by LANDA, you must return the product to your Authorized LANDA Dealer, freight prepaid, with proof of purchase, within the applicable warranty period. If the product is permanently installed, you must notify your Authorized LANDA Dealer of the defect. Your Authorized LANDA Dealer will file a claim with Landa, who must subsequently verify the defect. In most cases, the part must be returned to LANDA freight prepaid with the claim. For warranty service on components warranted by other manufacturer's, your Authorized LANDA Dealer can help you obtain warranty service through these manufacturers' local authorized service centers.

#### LIMITATION OF LIABILITY

LANDA'S liability for special, incidental, or consequential damages is expressly disclaimed. In no event shall LANDA'S liability exceed the purchase price of the product in question. LANDA makes every effort to ensure that all illustrations and specifications are correct, however, these do not imply a warranty that the product is merchantable or fit for a particular purpose, or that the product will actually conform to the illustrations and specifications. Our obligation under this warranty is expressly limited at our option to the replacement or repair at a service facility or factory designated by us, of such part or parts as inspection shall disclose to have been defective. **THE WARRANTY CONTAINED HEREIN IS IN LIEU OF ALL OTHER WARRANTIES, EXPRESS OR IMPLIED, INCLUDING ANY IMPLIED WARRANTY OF MERCHANTABILITY OR FITNESS FOR A PARTICULAR PURPOSE ARE EXPRESSLY LIMITED TO THE DURATION OF THIS WRITTEN WARRANTY.** LANDA does not authorize any other party, including authorized LANDA Dealers, to make any representation or promise on behalf of LANDA, or to modify the terms, conditions, or limitations in any way. It is the buyer's responsibility to ensure that the installation and use of LANDA products conforms to local codes. While LANDA attempts to assure that its products meet national codes, it cannot be responsible for how the customer chooses to use or install the product. Some states do not allow limitations on how long an implied warranty lasts or the exclusion or limitation of incidental or consequential damages, so the above limitation or exclusion may not apply to you. This warranty gives you specific legal rights and you may also have other rights which vary from state to state.

LANDA

[www.landa.com](http://www.landa.com)



Form #96-722 • Revised 11/05 • Printed in U.S.A.