



SEARS SEATING 2016 SALES PROGRAM

TRUCKLOAD DISCOUNT ON 16 SEAT ORDERS WITH COMMITMENT

SALE OFFERING

15% OFF DNP ON 16+ SEAT ORDERS FOR 12 MONTHS!

PARTS ALERT

- ✓ **1st Commit to purchasing 160 Sears Seats over the next 12 months by signing & returning this page to your Hino DPM**
- ✓ **Order 16+ Sears qualified truck seats at a time and receive 15% Off DNP on Atlas, Atlas II, Sentry Series and C-2 waste seat. Single drop point only.**
- ✓ **Free Freight Covered by Sears!**
- ✓ **Hino Corporate will enter your order for the 15% off. Simply email your DPM the order form after entering your order details on page 3.**

Minimum Commitment is 160 Seats in 12 months
from date signed below.

Dealer Name: _____

Dealer Code: _____ Date: _____

Dealer Email: _____

Dealer Phone: _____

TO:

Dealer Principals
General Managers
Parts Managers

BULLETIN: PA-2016-006
DATE: 1/20/16
EXP: 12/31/16

Complete the order form that follows and submit it to your Hino Trucks District Parts Manager to place your orders when necessary.



Hino Trucks reserves the right to make changes, including change in price, content, description, terms, time period, etc. at any time without notice.



Hino Trucks National PDC
Phone: (866) 372-4466 | Fax: (662) 342-5151
E-Mail: helpdesk@hino.com

Hino Trucks Manual Order Form



A Toyota Group Company

DEALER NAME:	
ORDERING DEALER CODE:	
CONTACT EMAIL ADDRESS:	
ORDERED BY (NAME):	
DEALER RETURN FAX:	

APPROVED DEALER SHIP TO ADDRESS REQUIRED ON ALL ORDERS	
DEALER NAME:	
STREET ADDRESS:	
CITY, STATE; ZIP:	
ATTENTION:	

Bill to Account #:	
--------------------	--

AVAILABILITY ONLY - DO NOT SHIP (FILL IN DEALER RETURN FAX # ABOVE)

SUB-ORDER TYPE (SELECT ONLY ONE BOX):	
<input type="checkbox"/> (S2) STOCK ORDER - <u>GROUND SHIPPING ONLY - All Regular Direct Ship & PDC Orders</u>	
<input type="checkbox"/> (E1) DEALER EMERGENCY ORDER - <u>OVERNIGHT SHIPPING ONLY</u> **	
<input type="checkbox"/> (E2) VEHICLE OFF ROAD (VOR) EMERGENCY, SHIP TO MY CUSTOMER DIRECT - <u>OVERNIGHT SHIPPING ONLY</u> **	
EMERGENCY SHIPMENT SERVICES, FOR E1 OR E2 ONLY (CHECK BOX BELOW IF APPLICABLE):	
<u>OTHER SERVICES</u>	
<input type="checkbox"/> SATURDAY OVERNIGHT **	PLEASE NOTE: MAJOR UNIT PIECES AND PARTS NOT SHIPPABLE VIA UPS WILL BE SHIPPED VIA COMMON CARRIER GROUND SERVICE. IF OVERNIGHT SERVICE IS REQUIRED, THE SHIPMENT WILL BE SENT FREIGHT COLLECT.

KEY: ** ADDITIONAL SHIPPING & HANDLING FEES APPLY FOR THE PARTICULAR ABOVE SERVICE(S).

MUST HAVE		Optional		NOT MANDATORY		
PART NUMBER	QTY	PART DESCRIPTION	Supplier	DNP	SPECIAL PURCHASE COST	REASON FOR SPECIAL PURCHASE COST OR NOTES
1						
2						
3						
4						
5						
6						
7						
8						
9						
10						
11						
12						
13						
14						
15						
16						

All pricing is subject to change at any time without notice. Pricing in Hino DCS may override this form. By submitting this form, You agree that the information You submit will be accurate, to the best of Your knowledge.

REPRODUCIBLE FORM

FORM HDT-PTSOFF1 (COVER PAGE)

Supplier:

Sears Seats Inc.

Vendor Information

Sears Seating is a leader in the design and manufacture of suspension and non-suspension seating systems for the agricultural, construction, and material handling equipment, and over the road truck markets. Known for proprietary products, Sears is the major seating supplier to John Deere, CNH, Caterpillar, Bobcat, Hyster, Yale, Freightliner, and many others around the world. Since 1855, Sears Seating has built a reputation for highly innovative seating products that offer unparalleled comfort and durability. Sears holds over 60 patents and utilizes the latest technologies in design and testing to ensure every seat meets or exceeds customer expectations – now and in the future. Sears Seating has the seat to fit your needs.

Hino Parts Support Phone: 866-372-4466
Hino Parts Support Email: helpdesk@hino.com
Hino Parts Support Fax: 662-342-3939
Sears Inc. Phone: 800-553-3013 or 563-383-2800
Sears Inc. Email: info@searsseating.com
Sears Inc. Web: <http://www.searsseating.com/home/>
Sears Inc. Fax: 563-383-2819

Customer Service & Technical Support

Order Procedures:

All orders are to be placed through the Hino Dealer Connect System (DCS). For special orders or for customer support contact Vendor directly via phone number.

Stock Orders Enter orders in DCS Screen DC202 under Sales Type "S". All direct ship items will be shipped from a local Vendor PDC.

Emergency Orders Emergency orders may be entered into DCS screen DC202 as a Sales Type "E" or "V". All emergency orders will be processed with a "rush" order. Freight and Handling fees will be identified on the Hino invoice.

Minimum Order Quantity There is no minimum order requirement on emergency or stock orders.

Freight Policy:

All orders are shipped from Davenport, IA or the Hino PDC unless otherwise specified. All orders will be shipped via the most efficient method.

Free Freight Policy:

Freight prepaid on 10 or more seats for delivery within continental US. Orders for less than 10 seats will be shipped FOB Origin, freight prepaid and Added to the Invoice. Freight terms not applicable to Alaska and Hawaii.

Order Fulfillment Policy:

The standard order processing time is 10 business days from date of order placement.

Part Number Pricing:

Pricing will be available on-line in the Hino DCS system. In addition, the prices will be forwarded to your service bureaus within two weeks of each pricing update.

Format:

Standard Part numbers are directly carried over; no prefix or suffix.

Mega Fleet:

All-Makes parts are not included in the Hino Mega Fleet pricing file but should be sold to Mega Fleet customers and filed as Miscellaneous Items in Corcentric when submitting for reimbursement.

Warranty:

Please always view Suppliers warranty documents as warranty varies based on items/products/vehicle applications, etc... One year unlimited miles. Please view Vendor warranty documents as warranty varies based on item. Contact vendor directly for a RGA approval number. Warranty covers manufacturers defects only and does not cover damage (installation or progressive). If the vendor provides a RGA number, contact Hino Trucks warranty department. Warranty claims are to be sent back through Hino Trucks corporate.

Returns:

Contact vendor directly to obtain a Return Goods Authorization code by phone number or email address listed above. All returned items MUST have prior approval and the Return Goods Authorization (RGA) marked on the outside of the box. RGAs have an expiration date of sixty (60) days; after sixty (60) days the return will become null and void. All returns are subject to a 25% or greater restocking fee. Will not authorize any returns that are not properly packaged or in the original packaging. No credit will be issued for product that has been damaged, altered, or installed on equipment. The customer is responsible for all freight charges on the returned merchandise. Special order items or non stock items are not returnable.

Shipping Inspection and Damaged Product:

All merchandise should be inspected upon arrival and carrier damage claims should be filed with the carrier immediately. We are not responsible for, nor are we in a position to make a claim after the freight carrier accepts the shipment from us. For excess stock returns, contact the Vendor directly.

Atlas II Seats



Discover what makes new Atlas II from Sears Seating the “Best in Class” truck seats for today’s heavy duty market.

The Atlas II truck seat is a new, contemporary-styled truck seat designed to enhance comfort and improve performance.

Enhanced Comfort

Atlas II has a back support structure contoured to the natural shape of the spine and a contoured seat pan that provides full body support. Seat cushion foam has been enhanced to provide a new level of comfort for the operator.

Improved Adjustability

Atlas II has improved the adjustments of the seat by providing new “easier to operate” seat cushion tilt and seat cushion extension features. A new adjustable shock/damper system allows for a customized ride.

New “Comfort” Feature with the Operator in Mind

Atlas II has developed CVS (Cushion Ventilation System) that provides the operator a “COOL” seat. Thermassage is a heat/massage seat to relax away the aches of a long day of driving.

Unmatched Durability and Ride Performance

ToggleLink Air Suspension®

Sears Seating improved truck seating from the ground up with a new patented design based on driver feedback. The ToggleLink Suspension® delivers a better ride performance. Its internal end stops greatly reduce the chance of topping and bottoming, while the design’s superior lateral stability reduces side-to-side rocking.

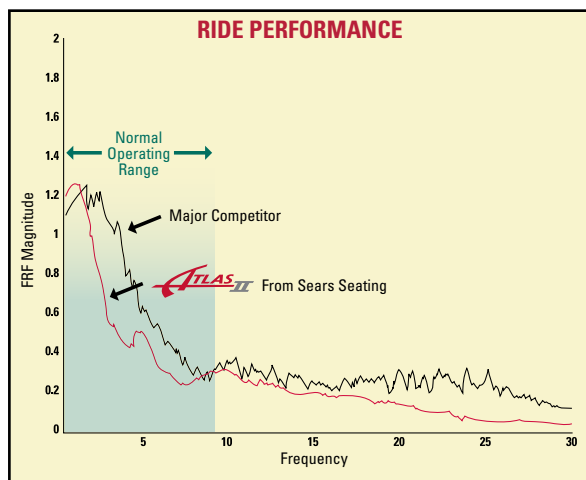
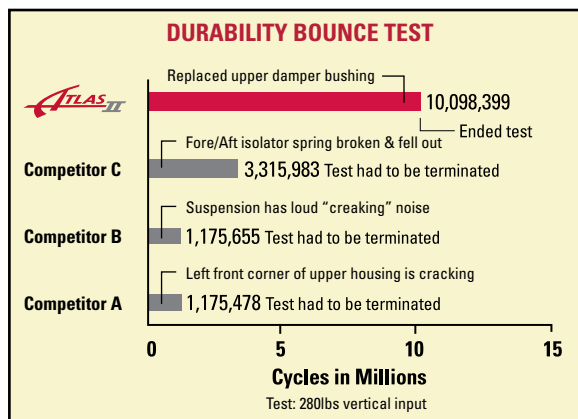
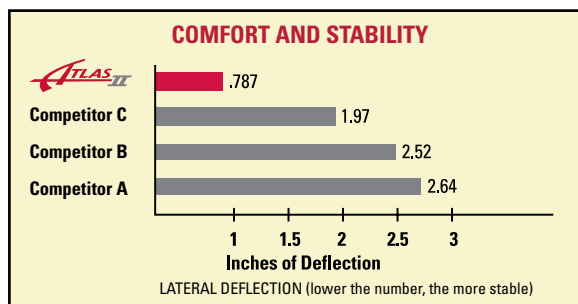
Atlas ToggleLink Suspension® also has fewer main wear points for longer service life.

Stabilizer Double-Locking Slides/Isolator

Sears added a double-locking slide/isolator package to further reduce vibration, eliminate torsion racking and greatly improve the ride. It allows for greater adjustability with 9” of fore/aft slide travel and a full two inches of smooth isolation.

Proof of Performance

Atlas was subjected to complete and rigorous durability testing. For the standard vertical bounce test, the seat carried a 280-pound weight for over 10 million vertical bounce cycles, while competition ranged from 1.7 million cycles to 3.3 million before failure.



Whole Body Vibration Study

University of Washington* conducted a study of whole body vibration (WBV) exposures in long-haul truck drivers. Full-shift (8-12 hrs.) WBV exposures were measured from 89 long-haul truck drivers as part of a baseline designed to evaluate different truck seats. The data were evaluated for important determinations of WBV exposures including trucking company, truck manufacturer and seat manufacturers.

Results: The Sears Atlas II truck seat had 57% less vibration transmitted to the operator on the vertical acceleration axis than the competitive truck seats. For the vector sum of all accelerations, the Sears Atlas II truck seat shows a 20% reduction in total WBV over the competitions’ seats.

When selecting truck seats for professional truck drivers, it may be important to understand that there are differences in the effectiveness of WBV exposure reduction between truck seat manufacturers.

*University of Washington Department of Environmental and Occupational Health Sciences

Atlas II LE Series



Standard Features:

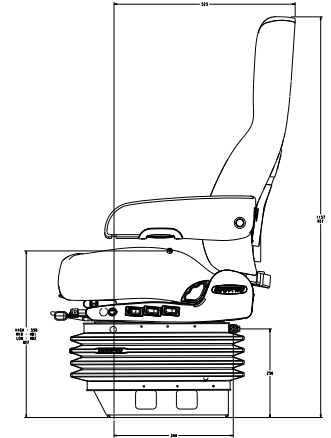
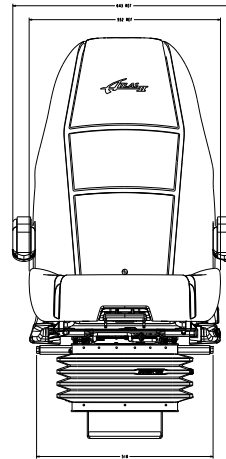
Atlas II ToggleLink Air Suspension® with flat floor riser

- Molded boot

Atlas II "stabilizer" double locking slides with 9" travel & fore/aft isolator

Atlas II seat top with "Comfort Zone" back frame structure

- Contoured metal seat pan
- Ergonomic 22" wide "luxury style" seat & back cushions
 - Cut n' sew with LE logo – Leatherette/cloth (3 choices)
- **CVS Cushion Ventilation System – Heat n' vent cushions**
- High-back only
- Seat cushion tilt – independent with 3 positions
- Seat cushion extension – independent with 3 positions
- Air lumbar system
- Recliner
- "New style" control pods & recliner handle
- Map pocket



Options:

- Adjustable Shock

Standard Colors	Color Code **
Black Leatherette with Asphalt Granite Cloth Insert	NC
Black Leatherette with Wheat Confetti Cloth Insert	NE
Gray Leatherette with Asphalt Granite Cloth Insert	NL

** Insert appropriate color code to complete seat part number

Description	Base Part Number
Standard (no arms)	2D934**NBNSN
Standard with dual armrests	2D914**BBNSN
Standard with RH StowAway armrest & LH regular armrest	2D914**3BNSN
Standard with LH StowAway armrest & RH regular armrest	2D914**4BNSN



Atlas II DLX – Series



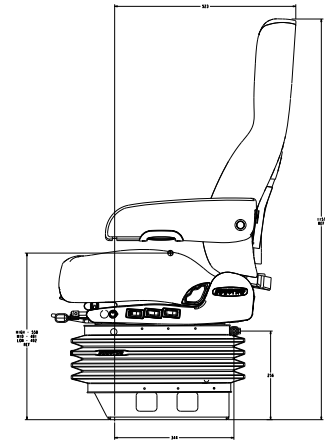
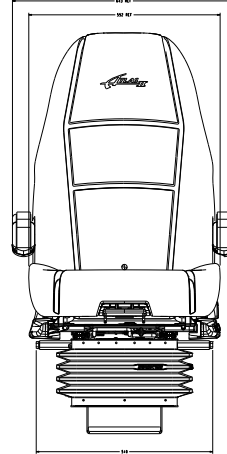
Standard Features:

Atlas II ToggleLink Air Suspension® with flat floor riser & molded boot

Atlas II “stabilizer” double locking slides with 9” travel & fore/aft isolator

Atlas II seat top with “Comfort Zone” back frame structure

- Contoured metal seat pan
- Ergonomic 22” wide “luxury comfort” seat & back cushions
 - Cut n’ sew – with logo – Mordura cloth or Leatherette
- High-back only
- **Heat/massage cushions**
- Seat cushion tilt – independent with 3 positions
- Seat cushion extension – independent with 3 positions
- Quad-chamber air lumbar – height adjustable
- Recliner
- “New style” control pods & recliner handle
- Map pocket



Options:

Adjustable Shock

Standard Colors	Leatherette*	Cloth/cloth*
Black	P4	PL
Gray	PU	PT
Blue	FE	FC
Burgundy	AA	A9
Tan	61	6R
Brown	N/A	6Q
Black with red insert	P5	PM
Black with gray insert	P6	PN
Black with tan insert	P7	PP
Black with blue insert	P8	PQ
Gray with black insert	PX	n/a
Gray with blue insert	PV	n/a
Gray with red insert	PW	n/a
Blue with gray insert	FF	FD

*Insert appropriate color code to complete seat part number

Description	Base Part Number
Standard (no arms)	2D531**NBNSN
Standard with dual armrests	2D511**BBNSN
Standard with RH StowAway armrest & LH regular armrest	2D511**3BNSN
Standard with LH StowAway armrest & RH regular armrest	2D511**4BNSN



Atlas II DLX – Series



Standard Features:

Atlas II ToggleLink Air Suspension® with flat floor riser & black vinyl skirt

Atlas II "stabilizer" double locking slides with 9" travel & fore/aft isolator

Atlas II seat top with "Comfort Zone" Back Frame Structure

- Contoured metal seat pan
- Ergonomic 22" wide "luxury comfort" seat & back cushions
 - Cut n' sew with logo – Mordura cloth or Leatherette
- High-back only
- Seat cushion tilt – independent with 3 positions
- Seat cushion extension – independent with 3 positions
- Quad-chamber air lumbar – height adjustable
- Recliner
- "New style" control pods & recliner handle
- Map pocket

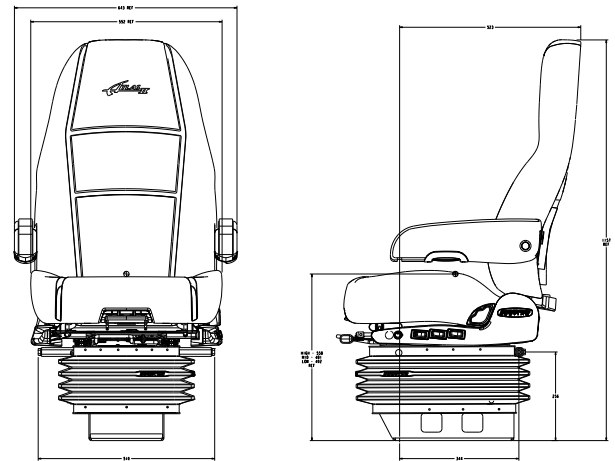
Options:

Adjustable Shock

Standard Colors	Leatherette*	Cloth/cloth*
Black	P4	PL
Gray	PU	PT
Blue	FE	FC
Burgundy	AA	A9
Tan	61	6R
Brown	N/A	6Q
Black with red insert	P5	PM
Black with gray insert	P6	PN
Black with tan insert	P7	PP
Black with blue insert	P8	PQ
Gray with black insert	PX	n/a
Gray with blue insert	PV	n/a
Gray with red insert	PW	n/a
Blue with gray insert	FF	FD

*Insert appropriate color code to complete seat part number

Description: Arms	Base Part Number
Standard (no arms)	2D331**NSNSN
Standard (no arms) with molded boot	2D331**NBNSN
Standard (no arms) with heated cushions	2D431**NSNSN
Standard (no arms) with heated cushions & molded boot	2D431**NBNSN
Standard (dual arms)	2D311**BSNSN
Standard (dual arms) with molded boot	2D311**BBNSN
Standard (dual arms) with heated cushions	2D411**BSNSN
Standard (dual arms) with heated cushions & molded boot	2D411**BBNSN
Standard with RH StowAway armrest & LH regular armrest	2D311**3SNSN
Standard with RH StowAway armrest & LH regular armrest & molded boot	2D311**3BNSN
Standard with RH StowAway armrest & LH regular armrest & heated cushions	2D411**3SNSN
Standard with RH StowAway armrest & LH regular armrest, heated cushions & molded boot	2D411**3BNSN
Standard with LH StowAway armrest & RH regular armrest	2D311**4SNSN
Standard with LH StowAway armrest & RH regular armrest & molded boot	2D311**4BNSN
Standard with LH StowAway armrest & RH regular armrest & heated cushions	2D411**4SNSN
Standard with LH StowAway armrest & RH regular armrest, heated cushions & molded boot	2D411**4BNSN



Atlas II PC Series



Standard Features:

Atlas II ToggleLink Air Suspension with flat floor riser

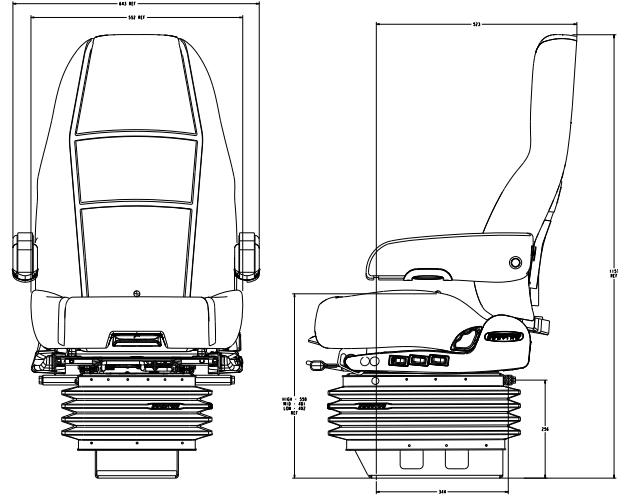
Atlas II "Stabilizer" double locking slides with 9" travel & fore/aft isolator

Atlas II seat top with Comfort Zone back frame structure

- Contoured metal seat pan
- Ergonomic 22" wide "luxury comfort" seat & back cushions
- Cut n' sew - Vinyl, Mordura cloth or Ultraleather (High-back only)
- Fabriform - cloth - High-back or mid-high back
- Integrated seat cushion tilt /extension - 3 positions
- Quad chamber air lumbar – height adjustable
- Recliner
- "New style" control pods and recliner handle

Options:

- Vinyl, Cloth or Leatherette Upholstery
- Vinyl suspension skirt
- Molded Boot
- Armrests



Standard Colors	Vinyl*	Cloth/Fabriform*	Leatherette*
Black	12	M0	X0
Gray	WS	M1	X1
Blue	J7	HQ	JE
Burgundy	D3	CF	D6
Tan	69	4F	6E
Brown	Not Available	4E	Not Available

* Insert appropriate color code to complete seat part number

Description	Base Part Number	
	Mid-high Back	High-Back
Standard (no arms)		2D231**NNNNN
Standard (no arms) with skirt		2D231**NSNNN
Standard (no arms) with molded boot		2D231**NBNNN
Standard (no arms) Fabriform®	2D633**NNNNN	2D832**NNNNN
Standard (no arms) with skirt Fabriform®	2D633**NSNNN	2D832**NSNNN
Standard (no arms) with molded boot Fabriform®	2D633**NBNNN	2D832**NBNNN
Standard (dual arms)		2D211**BNNNN
Standard (dual arms) with skirt		2D211**BSNNN
Standard (dual arms) with molded boot		2D211**BBNNN
Standard (dual arms) Fabriform®	2D613**BNNNN	2D812**BNNNN
Standard (dual arms) with skirt Fabriform®	2D613**BSNNN	2D812**BSNNN
Standard (dual arms) with molded boot Fabriform®	2D613**BBNNN	2D812**BBNNN



Sentry Seats



Now you have a value choice.

Sentry is a value line of truck seats that are designed to meet and exceed competition, as well as deliver quality, comfort and performance.

Sentry Leads the Competition in Advantages for Operator:

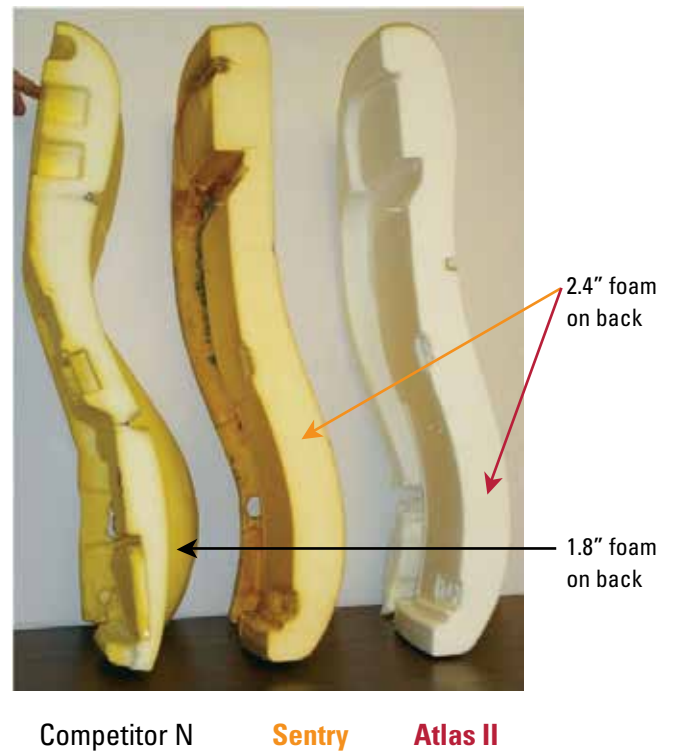
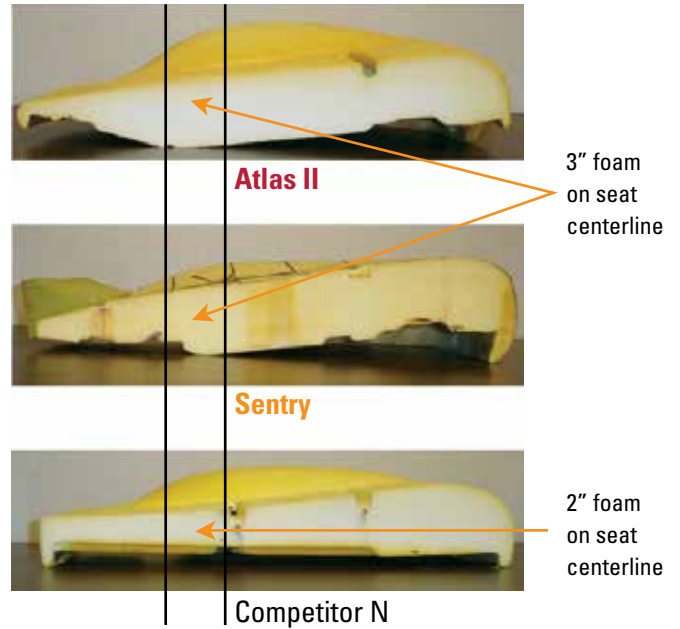
- Optimum size to fit all cabs.
- More foam in critical areas for greater comfort.
 - 3" of foam on seat cushion to provide better support for Ischia.
 - 2.4" of foam on back cushion centerline at lumbar area for better back support.
- Greater stability – no side-to-side rocking.
- Greater range of isolation.

Sentry ToggleLink Air Suspension®

Sentry utilizes Sears' patented ToggleLink Air Suspension® design that incorporates an integrated riser and internal end stops to reduce topping and bottoming, while it provides better quality ride performance for the value.

Sentry Proof of Performance

Sentry was subjected to the same Sears rigorous durability testing standards. Sentry carried a 280 pound weight for over 10 million cycles of the Sears' standard vertical bounce test.



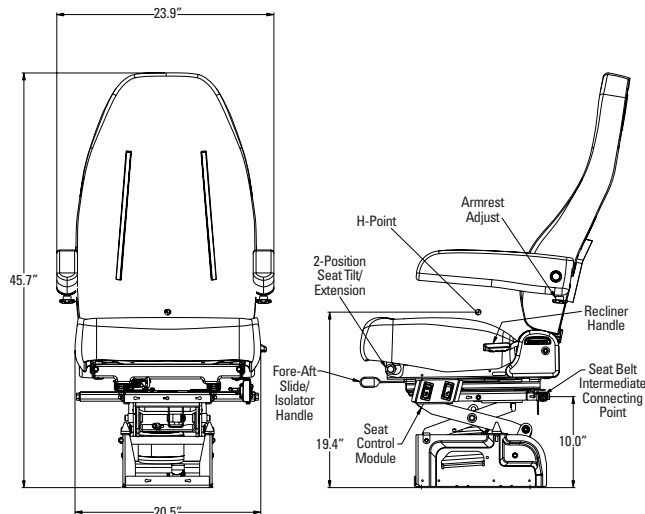
Standard Features:

**Std. ToggleLink Air Suspension® with 6" travel & integrated riser
Single locking slides with 9' travel , isolator with 1.25" travel
Sentry seat top with contoured back frame structure**

- Contoured seat pans
- Seat tilt and extension – integrated
- Air lumbar system
- High-back or Mid-high back seat
- Contoured 20.5" wide seat & back cushions and 3" of foam on centerline
- Full recliner

Standard Colors	Vinyl*	Cloth/Fabriform*
Black	12	M0
Gray	WS	M1
Blue	J7	HQ
Burgundy	D3	CF
Tan	69	4F
Brown	Not Available	4E
Asphalt	Not Available	02/1Z

Description	Base Part Number		
	Mid-high Back	High-Back	
PACCAR, Mack, Daimler			
Standard (no arms)	1A232**NNNNN	1A131**NNNNN	
Standard (no arms)	Fabriform® 1A434**NNNNN	1A333**NNNNN	
Standard with dual armrests	1A212**BNNNN	1A111**BNNNN	
Standard with dual armrests	Fabriform® 1A414**BNNNN	1A313**BNNNN	
Navistar			
Standard (no arms)	ProStar Sleeper Cab	tbd	N1131**NNNNN
Standard with dual armrests	ProStar Sleeper Cab	tbd	N1111**BNNNN
Standard (no arms)	ProStar Day Cab	tbd	N1231**NNNNN
Standard with dual armrests	ProStar Day Cab	tbd	N1211**BNNNN
Daimler			
Standard (no arms)	M2*	n/a	52382**NNNNN
Standard with dual armrests	M2* <i>*Available only -WS, M0, M1</i>	n/a	52352**BNNNN
Standard (no arms)	Cascadia	n/a	52132**NNNNN
Standard with dual armrests	Cascadia	n/a	52112**BNNNN



Optional Accessory Kits

1. Armrest kits – Atlas II LE, DLX & PC
2. Vinyl suspension skirt kit
3. Floor mounting kits



Standard Colors	Vinyl*	Cloth*	Leatherette*
Black	210	2NJ	2NP
Gray	2WQ	2NG	2NQ
Blue	2J5	2HH	2HM
Burgundy	2B0	2C6	2CC
Tan	267	25W	249
Brown	Not Available	25S	Not Available
Asphalt (70 Series only)	Not Available	A04	Not Available

*** Insert appropriate color code to complete armrest part number

Description	Base Part Number
Sentry Series	
Left Hand Armrest	SA31209.***
Right Hand Armrest	SA31208.***
70 & Elite 80 Series	
Left Hand Armrest	SA23909.***.901
Right Hand Armrest	SA23908.***.901
Elite 80 Series – MAG Pan	
Left Hand Armrest	SA23215.***.901
Right Hand Armrest	SA23216.***.901
70 & 80 Series – StowAway Armrest Kits	
Left Hand StowAway Armrest	SA23356.***
Right Hand StowAway Armrest	SA23355.***
Atlas II Series	
Left hand Armrest	SA35371.***.901
Right hand Armrest	SA35370.***.901
Atlas II Series - StowAway Armrest Kits	
Left Hand StowAway Armrest	SA35375.***.901
Right Hand StowAway Armrest	SA35374.***.901
Molded Suspension Boot kit - Atlas II only	
	SA35249.901
Vinyl Suspension Cover (Skirt) Kit (Atlas only)	
	SA18151.2x2.901
Seat Adapter Mounting Kits Atlas only	
Universal Mounting Adapter Plate Kit	SA23204
EzyRider Mounting Adapter Kit	SA23226
Daimler Cascadia Mounting/tether Kit	SA31231
Curved Floor Mounting Kit (Business Class)	SA18107.901
Curved Floor Mounting Kit (Freightliner M-2)	SA18106.901
International ProStar Mounting brackets/tether kit	SA35508
PACCAR Mounting Brackets/tether kit (Kenworth T680, Peterbilt 579)	SA35537
Volvo VN Mounting Kit	SA35183.145.901



Atlas II armrest



The Fabriform® Story

The old screwdriver-in-the-back-pocket abuse test barely leaves a mark.

Think how many times a day your operators are in and out of the cab. It adds up to hundreds of thousands of times over the life of your truck. And every time someone slides in or out, your seats can pay the price with wear and tear.

You won't have to worry about Sears seats with Fabriform® wearing out. They're made of a patented process that flamebonds a tri-laminate of film, foam and fabric.



The patented Fabriform® process involves flamebonding a rugged tri-laminate of film, foam and fabric. Poured into the fabric/ mold, the foam bonds with the tri-laminate fabric as it cures.

Superior wear resistance makes Fabriform® the ideal seat for regional, high delivery and vocational operations where drivers are in and out of the seat frequently.

The tri-laminate material provides a barrier of protection. Its "wicking" action disperses moisture and perspiration. The seats can be easily cleaned.

Unlike cut-n'-sew covers, Fabriform® cushions have no seams. This makes them impervious to dust, dirt and water – the major causes of cushion wear.

C2 Air Suspension® Seats



Feature	Advantage	Benefit
Air Suspension® with 5.25" travel	Meets h-point with more suspension stroke vs. standard seats	Better ride
Contoured metal seat and back pans	Provides greater support vs. standard tube frame	More comfort and durability
Ergonomic contoured molded cushions	Provides durability with FAB process vs. cut n' sew covers	More durability and cleanability
Quick attach seat and back cushions	Provides easy replacement vs. cut n' sew	Ease of service
Lightweight	Five (5) pounds lighter weight	Weight savings-load capacity
Innovative optional features	Ability to add upgrades to seat	Customization



Standard Features:

C-2 Air Suspension®

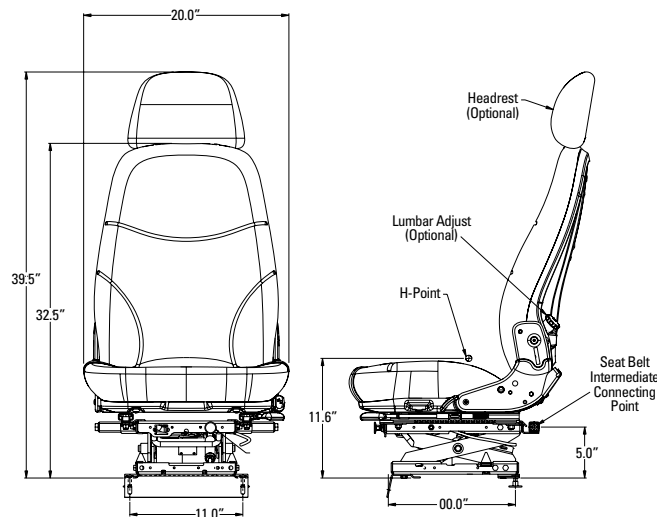
- Suspension travel – 5.25”
- Fore/aft slides – 7” travel
- Shock absorber

C-2 seat top

- Contoured metal seat & back pans
- Ergonomic contoured cushions – 20” wide
- Patented Fabriform® process (cloth) – Asphalt
- Recliner

Options:

Black vinyl cushions



Description	Colors	Part Number
Standard (no arms) – Mechanical Lumbar	Black vinyl	1C3211PNNNNN
Standard (no arms) – Mechanical Lumbar	FAB cloth	1C3210YNNNNN
Standard (no arms) – Fixed Lumbar	Black vinyl	1C1211PNNNNN
Standard (no arms) – Fixed Lumbar	FAB cloth	1C1210YNNNNN

Description	Part Number
Mounting bracket & tether kits	
Mack MR	SA35012
Mack LE	SA35013
Peterbilt 320	SA35014
Autocar (Driver)	SA35015
Daimler – M2	SA35020
Crane Carrier – Tether only	SA35017

Options	Colors	Part Number
RH Armrest Kit		SA22990.901
LH Armrest Kit		SA22991.901
Upper Back Rest	Black vinyl	SA31321.A1P.901
Upper Back Rest	Gray cloth	SA31321.A04.901
Molded Rubber Boot		SA31332



Seat Covering Selection Guide

VINYL



Black Gray Blue Burgundy Tan

CLOTH/FABRIFORM®



Black Gray Blue Burgundy Tan Brown Asphalt

LEATHERETTE



Black Gray Blue Burgundy Tan

Warranty Information

ATLAS II AND SENTRY SERIES 5 YEARS/UNLIMITED MILES LIMITED WARRANTY—NON PRO-RATED 3 YEARS/UNLIMITED MILES—FABRIFORM CUSHION

Sears Seating expressly warrants, to the original purchaser, that all structural seat components in the **Atlas II and Sentry Series** Suspension seats shall be free from defects in material and workmanship for five (5) years from date-of-purchase provided such seats are subject to normal use and receive proper maintenance. Sears Seating expressly warrants that each seat shall be free of defects in materials and workmanship, and that the cushions and seat covers (excluding Fabriform® cushions) shall be free from defectively sewn seams for a period of one (1) year or 100,000 miles, whichever comes first, excluding normal wear and tear. **Fabriform® cushions** shall be free from defects in material for a period of three (3) years, excluding normal wear and tear—both from date-of-purchase.

Your sole and exclusive remedy against Sears Seating arising from the purchase or use of the aforementioned suspension seats is limited to repair or replacement of defective materials or defective workmanship, after verification by Sears Seating. During the first year or 100,000 miles, whichever comes first, Sears Seating will reimburse the purchaser for labor incurred for removal and replacement of defective parts based on Sears Seating's warranty rate chart. Repairs will be preformed at authorized repair facilities.

These warranties do not apply to broken valve stems or to valve failure due to foreign matter in the air valves and air system.

These warranties will become null and void if:

- The seat has been subjected to abuse, neglect or accident.
- The seat has been altered, modified, changed or reworked in a manner not previously authorized by Sears Seating.
- The seat is installed in a manner that would subject it to abnormal wear.
- Recommended maintenance is not followed.
- Damage to the cushions and covers caused by cuts, burns or abuses.

WARRANTY DISCLAIMERS AND LIMITATIONS OF LIABILITY

THE ABOVE EXPRESSED WARRANTY SHALL BE THE EXCLUSIVE WARRANTY, AND SEARS SEATING MAKES NO OTHER WARRANTIES, EXPRESSED OR IMPLIED. SEARS SEATING EXPRESSLY DISCLAIMS ANY IMPLIED WARRANTIES OF MERCHANTABILITY AND IMPLIED WARRANTIES OF FITNESS FOR A PARTICULAR PURPOSE.

IT IS AGREED THAT SEARS SEATING SHALL NOT BE LIABLE FOR INCIDENTAL OR CONSEQUENTIAL DAMAGES, including, but not limited to, loss of income, loss of use, lost profits, damage to other property, the cost of removing and reinstalling aforementioned suspension seats, attorney's fees and any liability you may have with respect to any other person.

For other details on our warranty policy, contact your Sears Seating representative or Sears Seating Customer Service. **800-553-3013**

SEARS C-2 SERIES FABRIFORM® 2 YEARS/2 YEARS LIMITED WARRANTY—NON PRO-RATED

Sears Seating expressly warrants, to the original purchaser, that all structural seat components in the C-2 Series Suspension seats with Fabriform® cushions shall be free from defects in material and workmanship for two (2) years from date-of-purchase provided such seats are subject to normal use and receive proper maintenance. Sears Seating also expressly warrants that the Fabriform® cushions shall be free from defects in materials for a period of two (2) years, excluding normal wear and tear.

Your sole and exclusive remedy against Sears Seating arising from the purchase or use of the aforementioned suspension seats is limited to repair or replacement of defective materials or defective workmanship, after verification by Sears Seating. During the first year or 100,000 miles, whichever comes first, Sears Seating will reimburse the purchaser for labor incurred for removal and replacement of defective parts based on Sears Seating's warranty rate chart. Repairs will be preformed at authorized repair facilities.

These warranties do not apply to broken valve stems or to valve failure due to foreign matter in the air valves and air system.

These warranties will become null and void if:

- The seat has been subjected to abuse, neglect or accident.
- The seat has been altered, modified, changed or reworked in a manner not previously authorized by Sears Seating.
- The seat is installed in a manner that would subject it to abnormal wear.
- Recommended maintenance is not followed.
- Damage to the cushions and covers caused by cuts, burns or abuses.

WARRANTY DISCLAIMERS AND LIMITATIONS OF LIABILITY

THE ABOVE EXPRESSED WARRANTY SHALL BE THE EXCLUSIVE WARRANTY, AND SEARS SEATING MAKES NO OTHER WARRANTIES, EXPRESSED OR IMPLIED. SEARS SEATING EXPRESSLY DISCLAIMS ANY IMPLIED WARRANTIES OF MERCHANTABILITY AND IMPLIED WARRANTIES OF FITNESS FOR A PARTICULAR PURPOSE.

IT IS AGREED THAT SEARS SEATING SHALL NOT BE LIABLE FOR INCIDENTAL OR CONSEQUENTIAL DAMAGES, including, but not limited to, loss of income, loss of use, lost profits, damage to other property, the cost of removing and reinstalling aforementioned suspension seats, attorney's fees and any liability you may have with respect to any other person.

For other details on our warranty policy, contact your Sears Seating representative or Sears Seating Customer Service. **800-553-3013**

WARNING: Serious injury may occur if head clearance is not adequate. After installing seat and before riding or driving vehicle, ensure that there is adequate head clearance at maximum upward travel of seat. While sitting in seat, slowly raise the seat to its maximum height by actuating the suspension air control valve.

For normal seat operations, adjust seat to proper ride height by actuating the suspension air control valve to raise or lower the seat to a comfortable ride height.

Seat belts should be worn at all times by driver and passenger when operating the vehicle.

This seat conforms to Federal motor vehicle safety standards 207 and 302 as in effect at the time of manufacture when correct mounting hardware and tether belts are used.

It is the responsibility of the installer to ensure that proper seat mounting hardware and mounting channels (when required) and seat belt and tether belt anchorages are used according to requirements of Federal motor vehicle safety standards. Use only high strength fasteners and heavy duty washers and tether belts when installing the seat assembly.

To avoid possible injury and equipment damage and to prolong the life of the seat it is necessary to keep the seat suspension free of debris and foreign material.

SEARS
SEATING

P.O. Box 3667 | Davenport, IA 52808
Phone: 800 553 3013 Fax: 563 383 2819 | www.searsseating.com
©2015 Sears Manufacturing Company