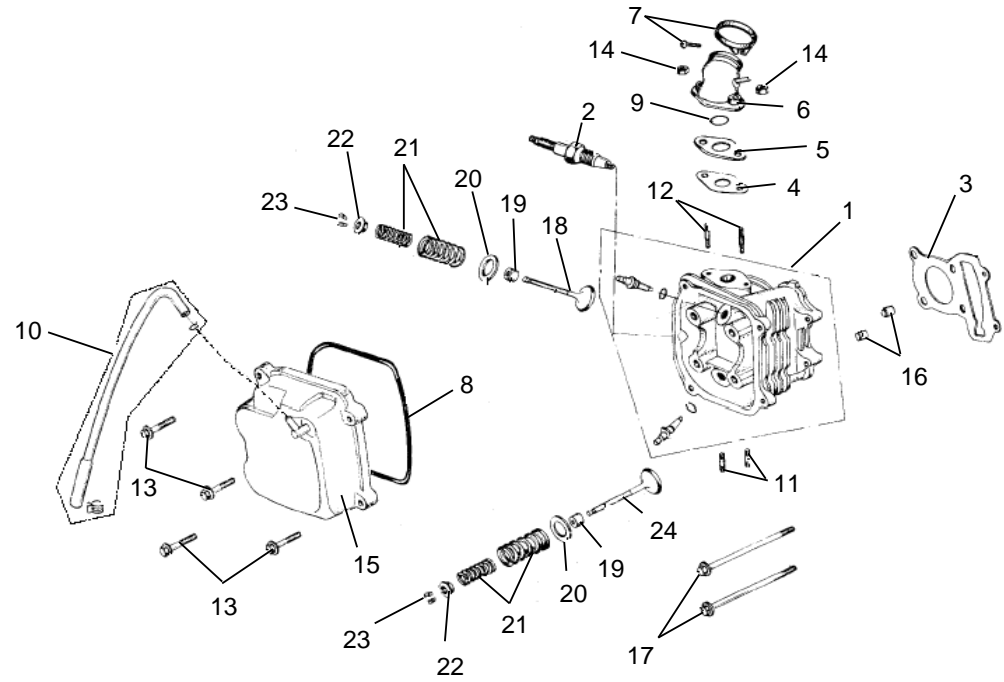


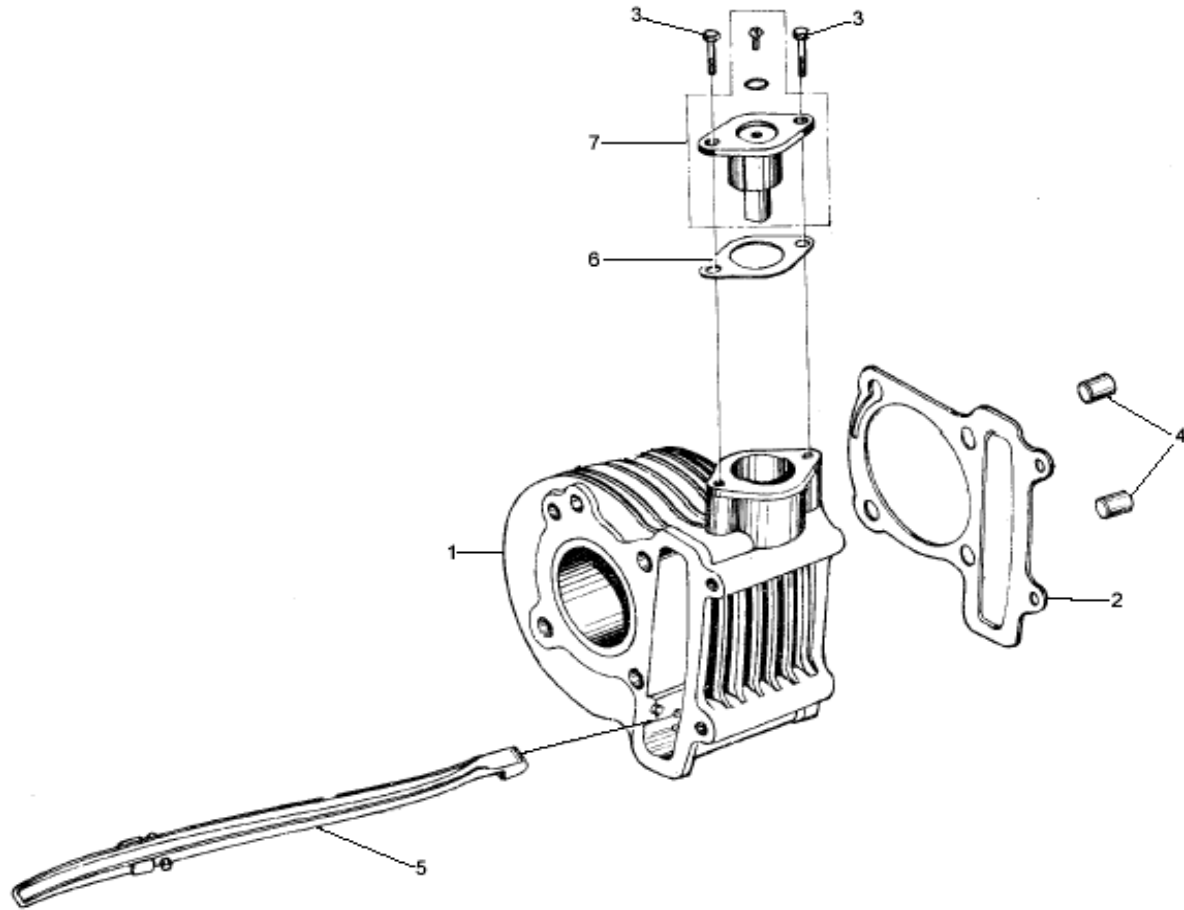
Section 1 - Cylinder Head Asm

Ref No	Part No	Description	QTY
1	14254	HEAD, CYLINDER - 150CC	1
2	50304	SPARK PLUG (CR7HSA)	1
3	14255	GASKET, CYL HEAD - 150CC	1
4	14256	GASKET, CARB INSULATOR - 150CC	1
5	14257	INSULATOR, CARB - 150CC	1
6	14258	MANIFOLD, INTAKE - 150CC	1
7	14259	CLAMP, CARB HOSE - 150CC	1
8	14260	GASKET, VALVE COVER - 150CC	1
9	14261	O-RING, M27 X 2 RUBBER - 150CC	1
10	14262	TUBE, BREATHER - 150CC	1
11	14263	STUD, M6 X 1.25 X 18	2
12	14264	STUD, M6 X 1.25 X 50	2
13	50003	BOLT, M6 x 1.00 x 25 HHF	4
14	50024	NUT, M6 x 1.00 HEX FLANGE	2
15	14265	COVER, VALVE - 150CC	1
16	14266	PIN, M10 X 16 DOWEL	2
17	50087	BOLT FLANGE SH 6 X 100	2
18	14267	VALVE, INTAKE - 150CC	1
19	14268	SEAL, VALVE STEM - 150CC	2
20	14269	SEAT, VALVE SPRING OUTER - 150CC	2
21	14270	SPRING, OUTER AND INNER VALVE - 150CC	2
22	14271	RETAINER, VALVE SPRING - 150CC	2
23	14272	KEEPER, VALVE SPRING - 150CC	4
24	14273	VALVE, EXHAUST - 150CC	1



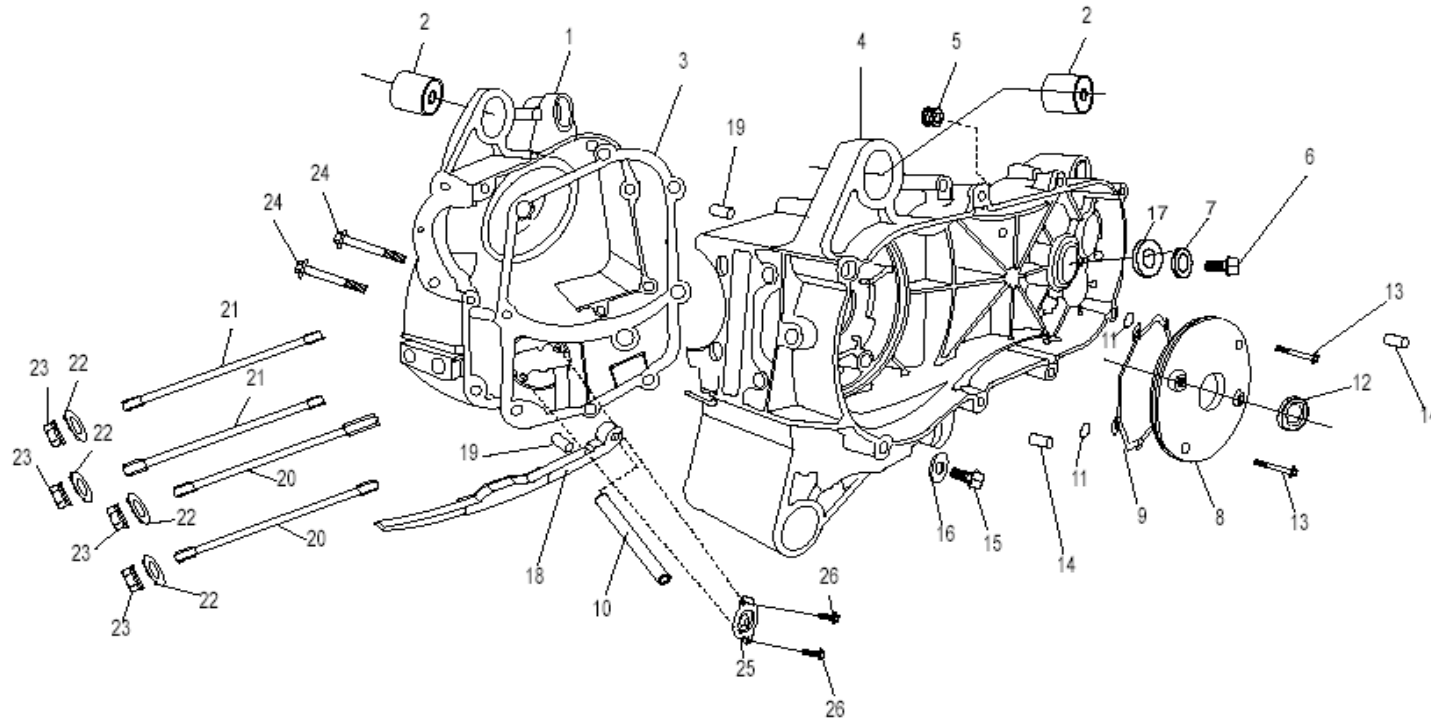
Section 2 - Cylinder

Ref No	Part No	Description	QTY
1	14317	CYLINDER - 150CC	1
2	14582	GASKET, CYLINDER BASE - 150CC	1
3	50032	BOLT FLANGE SH 6 X 22	2
4	14266	PIN, M10 X 16 DOWEL	2
5	14276	GUIDE, CAM CHAIN - 150CC	2
6	14275	GASKET, CAM CHAIN TENSIONER - 150CC	1
7	14274	ASM, CAM CHAIN TENSIONER - 150CC	1



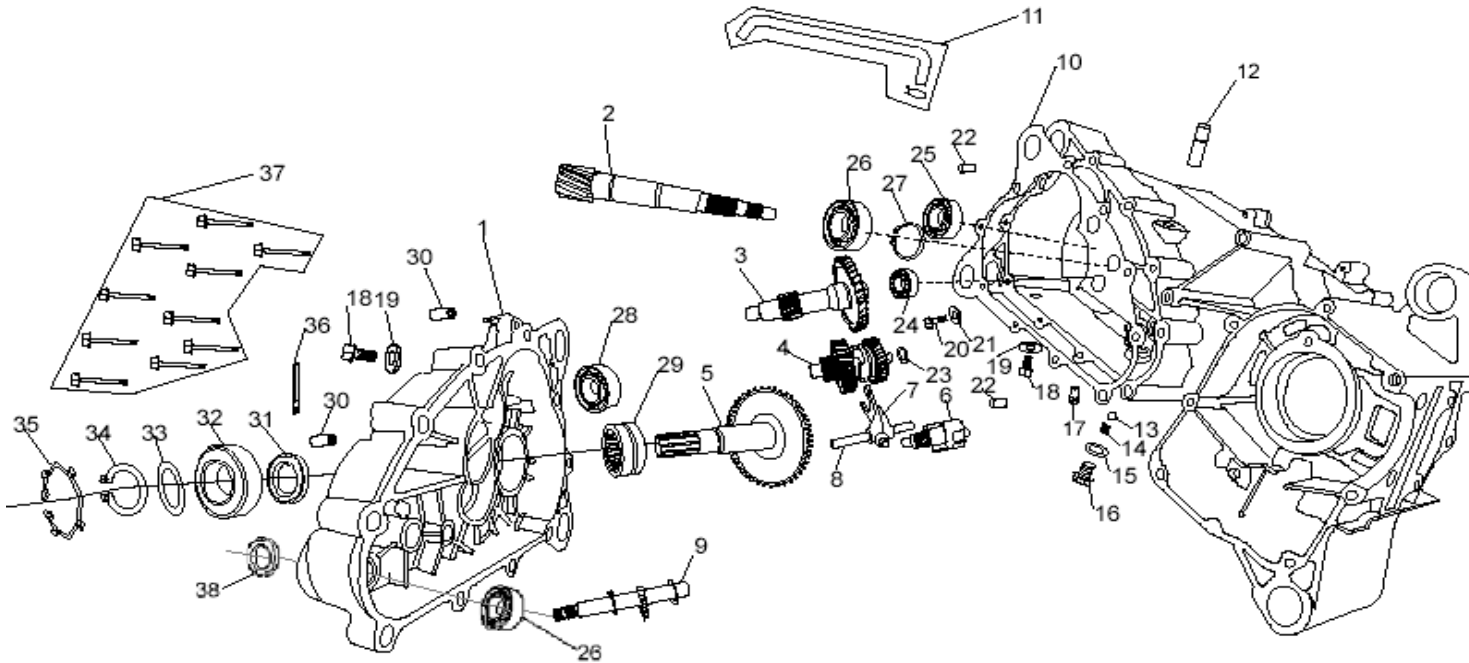
Section 3 - Engine Crankcase

Ref No	Part No	Description	QTY	Ref No	Part No	Description	QTY
1	14277	HOUSING, CRANKCASE RH - 150CC	1	14	14287	PIN, M10 X 14 DOWEL	2
2	14278	BUSHING, ENGINE HANGER - 150CC	2	15	14288	BOLT, M12 X 1.5 SPECIAL - 150CC	1
3	14279	GASKET, CRANKCASE - 150CC	1	16	14289	WASHER, M12 FLAT ZN	2
4	14280	HOUSING, CRANKCASE LH - 150CC	1	17	14290	SEAL, M20 X 32 X 6	2
5	14558	GROMMET	1	18	14883	TENSIONER, CAM CHAIN - 150CC	1
6	14281	BOLT, M10 X 1.25 X 15 FHCS ZN	1	19	50016	PIN DOWEL SPECIAL 8 X 14	2
7	14282	WASHER, M10.2 X 18 X 1.3 FLAT	1	20	14291	STUD, M8 X 1.25 X 195.5	2
8	14283	COVER, SMALL LEFT - 150CC	1	21	14292	STUD, M8 X 1.25 X 187.5	2
9	14284	O-RING, M108 X 2	1	22	14293	WASHER, M8 FLAT ZN	4
10	14559	PIN	1	23	14294	NUT, M8 X 1.25 FLANGE HEAD	4
11	14285	O-RING, M6 X 1.8	2	24	14295	BOLT, M6 X 1.00 X 50 FHCS ZN	2
12	50104	OIL SEAL 19.8 X 30 X 5	1	25	14501	SPACER, OIL - 150CC	1
13	14286	BOLT, M6 X 1.00 X 18 FHCS ZN	4	26	14296	BOLT, M6 X 1.00 X 12 FHCS ZN	2



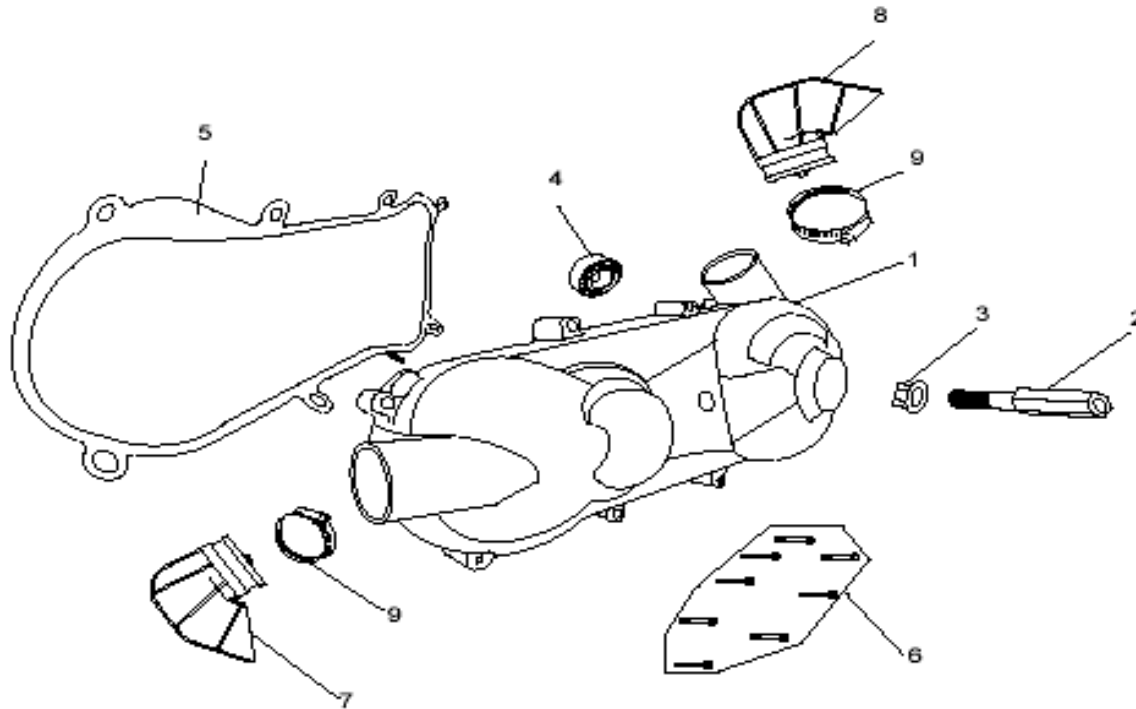
Section 4 - Transmission

Ref No	Part No	Description	QTY	Ref No	Part No	Description	QTY
1	14297	HOUSING, OUTER TRANSMISSION - 150CC	1	20	14296	BOLT, M6 X 1.00 X 12 FHCS ZN	2
2	14298	GEAR, PRI DRIVE - 150CC	1	21	14315	WASHER, M6 FLAT	2
3	14299	GEAR, SEC DRIVE - 150CC	1	22	14287	PIN, M10 X 14 DOWEL	2
4	14300	ASM, SHIFT GEAR CLUSTER D/N/R - 150CC	1	23	14316	SPACER, M15 INNER GEAR - 150CC	1
5	14841	GEAR, FINAL DRIVE SHAFT - EXT - 200S	1	24	14149	BEARING, OUTER - 6202-Z	1
6	14302	ASM, SHIFT SELECTOR - 150CC	1	25	50102	BEARING BALL RADIAL 6203	1
7	14303	PAWL, SHIFT SELECTOR - 150CC	1	26	14146	BEARING, INNER - 6204-Z	1
8	14304	ROD, SHIFT PAWL - 150CC	1	27	14106	CIRCLIP, M20	1
9	14305	SHAFT, SHIFTER CAM - 150CC	1	28	14503	BEARING, 6302 15 X 42 X 13	1
10	14306	GASKET, TRANSMISSION CASE - 150CC	1	29	14504	BEARING, RNA4905 30 X 42 X 17	1
11	14307	TUBE, TRANSMISSION VENT - 150CC	1	30	14505	BUSHING, SHOCK ABSORBING - 150CC	2
12	14308	NIPPLE, VENT TUBE - 150CC LARGE	1	31	14318	SEAL, M30 X 40 X 6	1
13	14309	BALL, SHIFT INDENT - 150CC	1	32	14598	BEARING, SEALED 6205 - 150CC	1
14	14310	SPRING, SHIFT INDENT - 150CC	1	33	14511	WASHER, M22 X 31 X 2.5 FLAT	1
15	14311	GASKET, SHIFT INDENT - 150CC	1	34	14319	CIRCLIP, M25	1
16	14312	BOLT, SHIFT INDENT - 150CC	1	35	14320	CIRCLIP, M52	1
17	14502	NIPPLE, VENT TUBE - 150CC SMALL	1	36	14321	CLAMP, WIRE - 150CC	1
18	14313	BOLT, DRAIN/FILL PLUG - 150CC	2	37	14235	BOLT, M6 X 1.00 X 40 FHCS ZN	10
19	14314	GASKET, TRANS DRAIN PLUG - 150CC	2	38	14597	OIL SEAL, SHIFTER CAM - 150CC	1



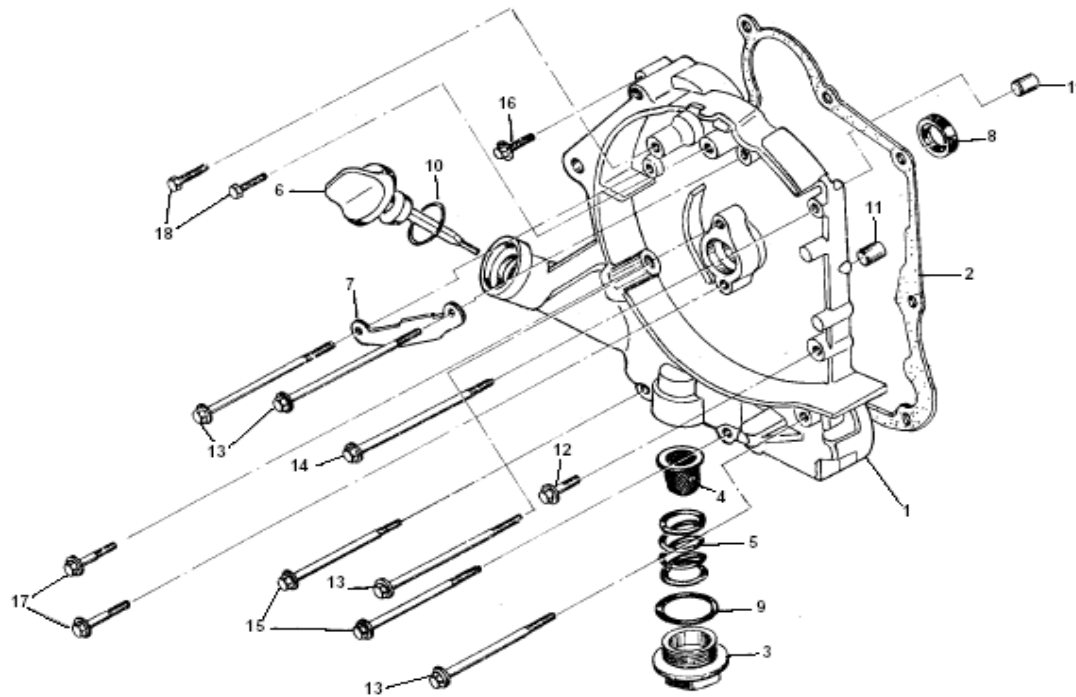
Section 5 - CVT Cover

Ref No	Part No	Description	QTY
1	14323	COVER, CVT - 150CC	1
2	14507	BRACKET, EXHAUST - 150CC	1
3	14324	NUT, M12 X 1.25 LOCKING FLANGE ZN	1
4	14508	BEARING, 6200 10 X 30 X 9	2
5	14325	GASKET, CVT COVER - 150CC	1
6	14235	BOLT, M6 X 1.00 X 40 FHCS ZN	8
7	14322	SNORKEL, CVT - 150CC	1
8	14322	SNORKEL, CVT - 150CC	1
9	14509	CLAMP, SNORKEL - 150CC	2



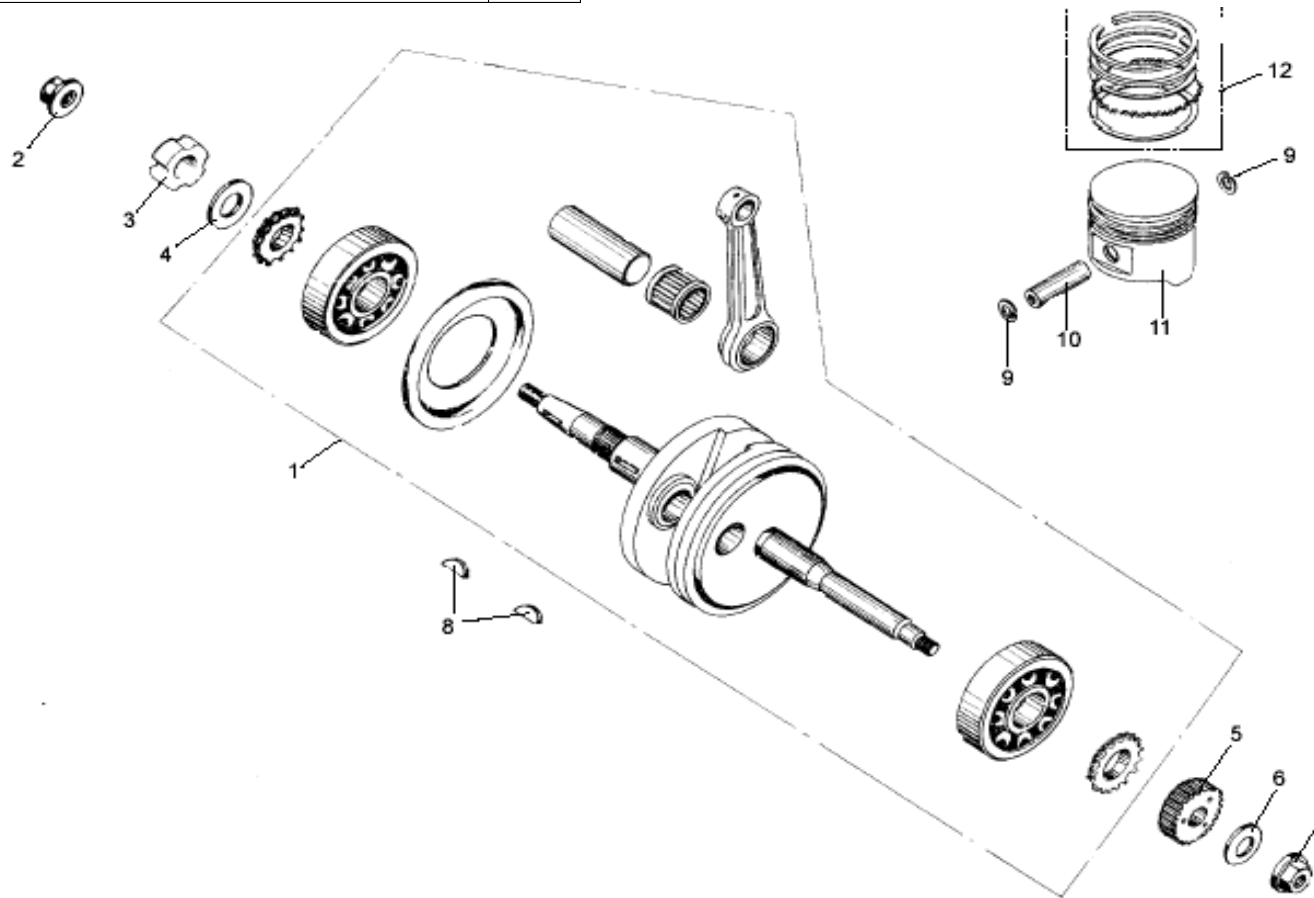
Section 6 - Outer Crankcase Asm

Ref No	Part No	Description	QTY
1	14326	COVER, OUTER CRANKCASE RH - 150CC	1
2	14327	GASKET, OUTER CRANKCASE - 150CC	1
3	14328	CAP, OIL DRAIN - 150CC	1
4	14329	SCREEN, OIL FILTER - 150CC	1
5	14330	SPRING, OIL FILTER SCREEN - 150CC	1
6	14331	DIPSTICK, OIL FILL - 150CC	1
7	14332	CLAMP, AC GENERATOR - 150CC	1
8	14333	SEAL, M19.8 X 30 X 5 OIL	1
9	14334	O-RING, M30.8 X 3	1
10	14335	O-RING, M18 X 3	1
11	50016	PIN DOWEL SPECIAL 8 X 14	2
12	14336	BOLT, M6 X 1.00 X 28 FHCS ZN	1
13	14337	BOLT, M6 X 1.00 X 95 FHCS ZN	4
14	14338	BOLT, M6 X 1.00 X 100 FHCS ZN	1
15	14339	BOLT, M6 X 1.00 X 110 FHCS ZN	2
16	14340	BOLT, M6 X 1.00 X 35 FHCS ZN	1
17	14341	BOLT, M6 X 1.00 X 20 FHCS ZN	2
18	14296	BOLT, M6 X 1.00 X 12 FHCS ZN	2



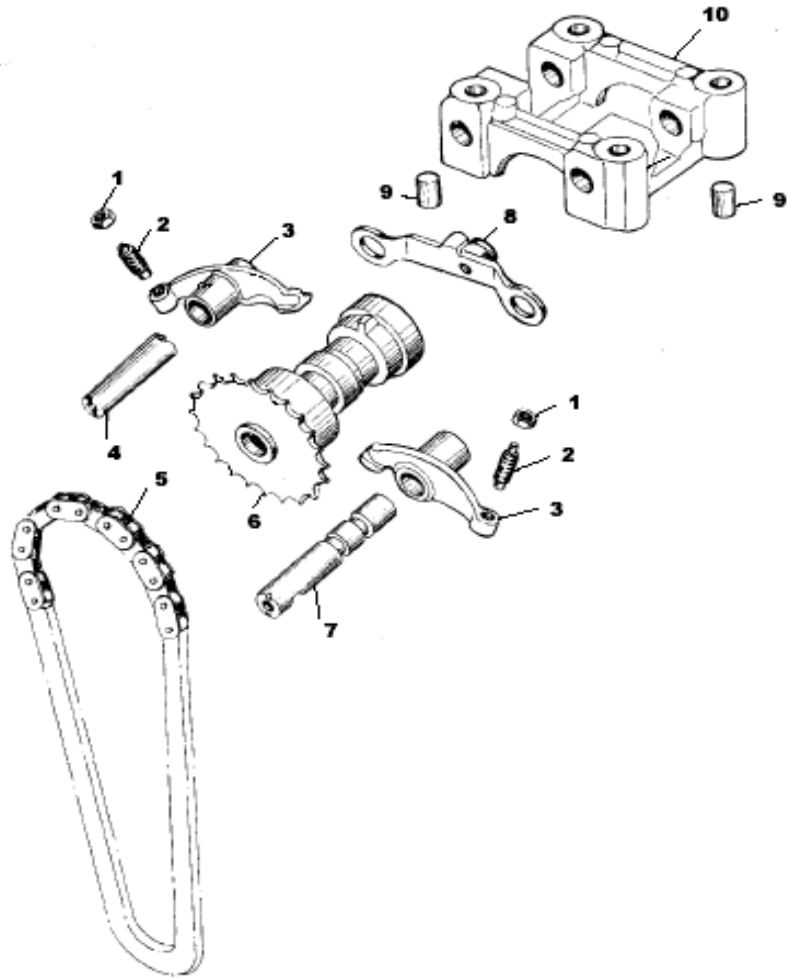
Section 7 - Piston, Crank and Connecting Rod

Ref No	Part No	Description	QTY
1	14342	ASM, CRANK - CON ROD - 150CC	1
2	14324	NUT, M12 X 1.25 LOCKING FLANGE ZN	1
3	14510	NUT, M22 X 1.00 SPANNING - 150CC	1
4	14511	WASHER, M22 X 31 X 2.5 FLAT	1
5	14344	GEAR, KICK DRIVE - 150CC	1
6	14289	WASHER, M12 FLAT ZN	1
7	14324	NUT, M12 X 1.25 LOCKING FLANGE ZN	1
8	14512	KEY, WOODRUFF M4 X 14	1
9	14345	CLIP, PISTON RETAINING - 150CC	2
10	14346	PIN, PISTON WRIST - 150CC	1
11	14347	PISTON - 150CC	1
12	14348	KIT, PISTON RING - 150CC	1



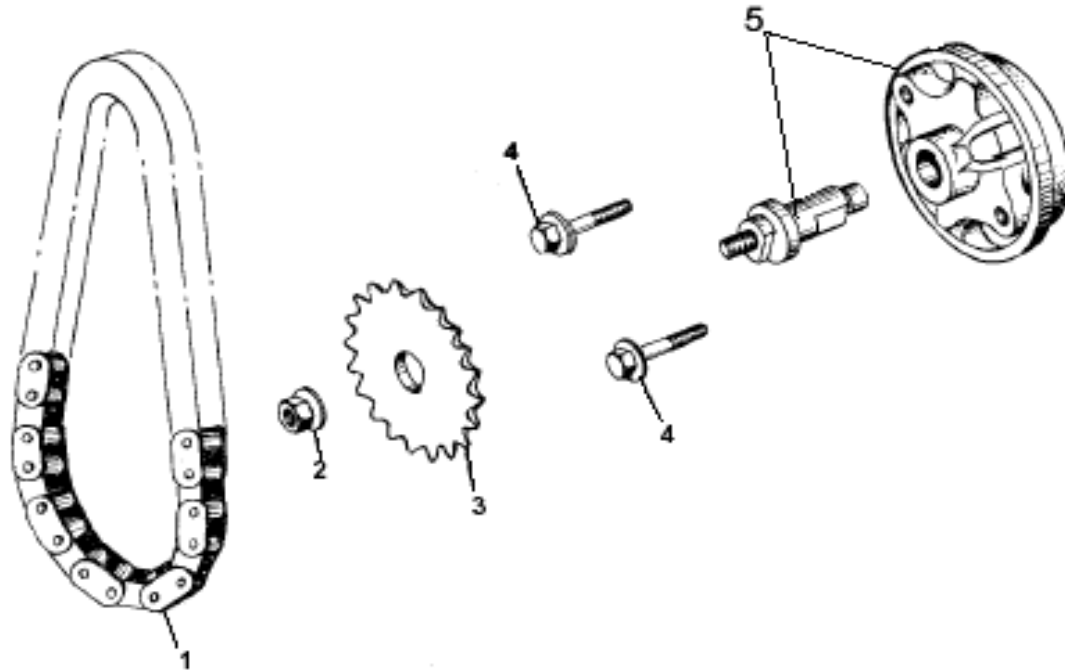
Section 8 - Camshaft Asm

Ref No	Part No	Description	QTY
1	14513	NUT, M5 X 0.5 HEX	2
2	14349	SCREW, TAPPET ADJ - 150CC	2
3	14350	ARM, VALVE ROCKER - 150CC	2
4	14351	SHAFT, EXHAUST ROCKER ARM - 150CC	1
5	14352	CHAIN, CAMSHAFT - 150CC	1
6	14353	CAMSHAFT - 150CC	1
7	14354	SHAFT, INTAKE ROCKER ARM - 150CC	1
8	14355	PLATE, STOP - 150CC	1
9	14266	PIN, M10 X 16 DOWEL	2
10	14356	CAP, CAMSHAFT BRG - 150CC	1



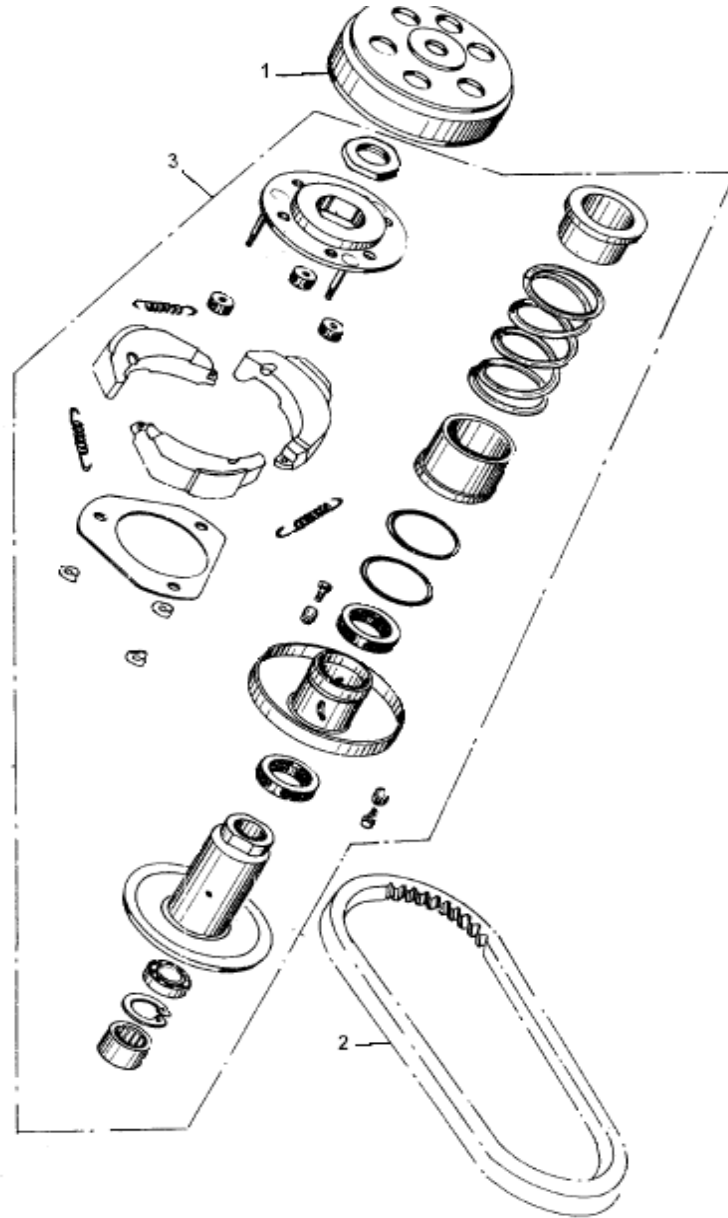
Section 9 - Oil Pump Asm

Ref No	Part No	Description	QTY
1	14357	CHAIN, OIL PUMP - 150CC	1
2	14358	NUT, M6 X 1.00 HEX FLANGE	1
3	14359	SPROCKET, OIL PUMP - 150CC	1
4	14360	BOLT, M6 X 1.00 X 30 FHCS ZN	2
5	14361	ASM, OIL PUMP - 150CC	1



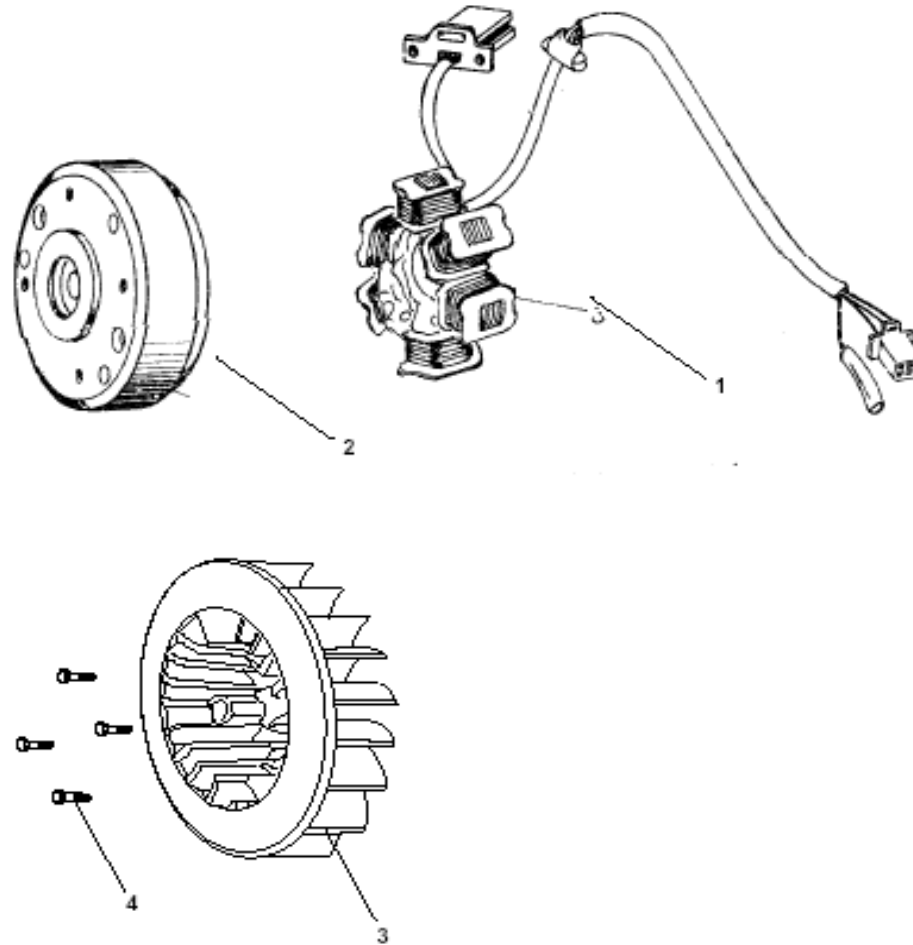
Section 10 - Driven Pulley and Clutch

Ref No	Part No	Description	QTY
1	14362	ASM, OUTER CLUTCH - 150CC	1
2	14363	BELT, CVT - 150CC	1
3	14364	ASM, DRIVEN PULLEY - 150CC	1
4	15164	NUT, M12X1.25 LF THIN	1



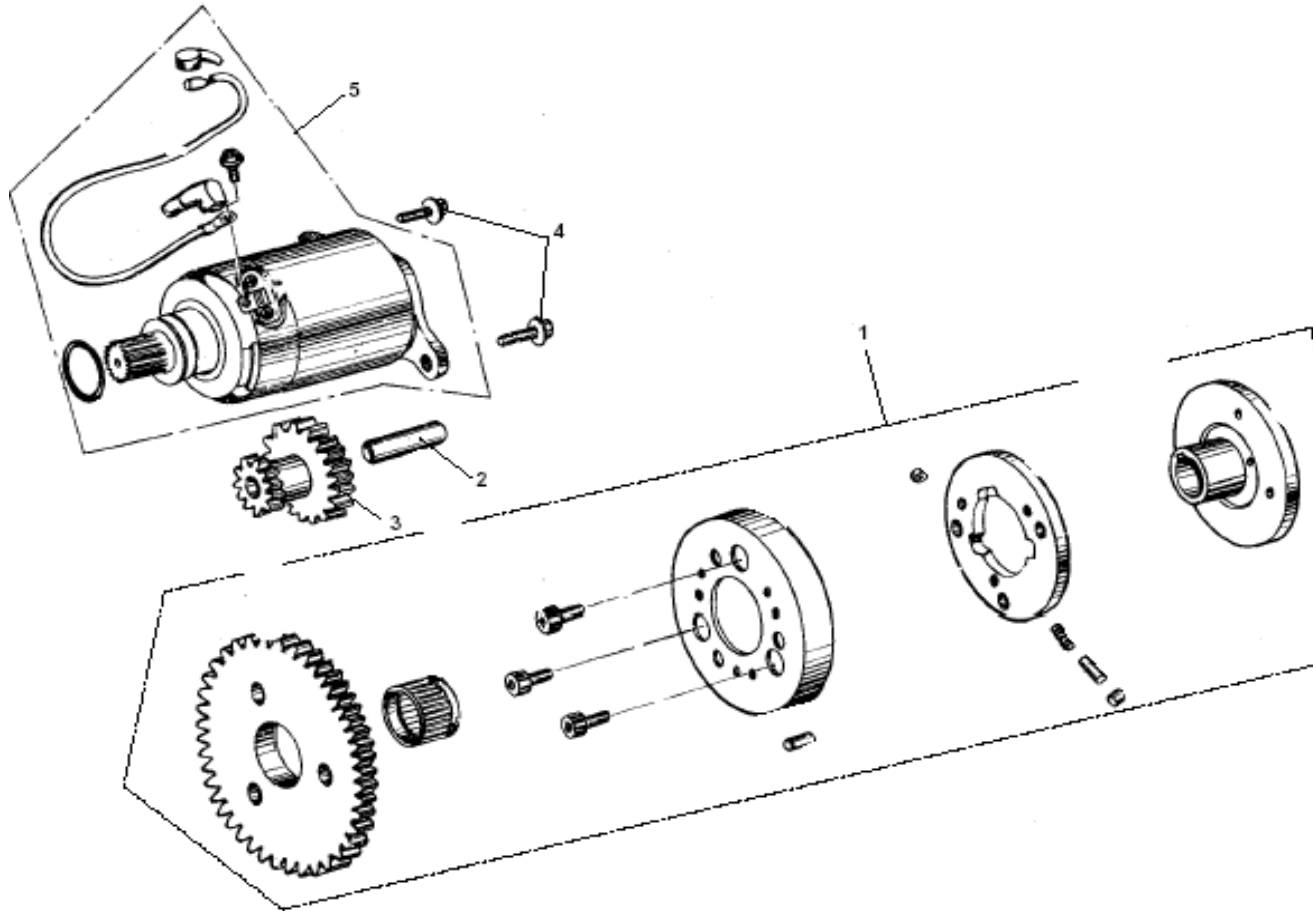
Section 11 - Engine Electrical

Ref No	Part No	Description	QTY
1	14365	MAGNETO - 150CC	1
2	14366	FLYWHEEL - 150CC	1
3	14367	FAN, COOLING - 150CC	1
4	14368	BOLT, M6 X 1.00 X 15 FHCS ZN	4



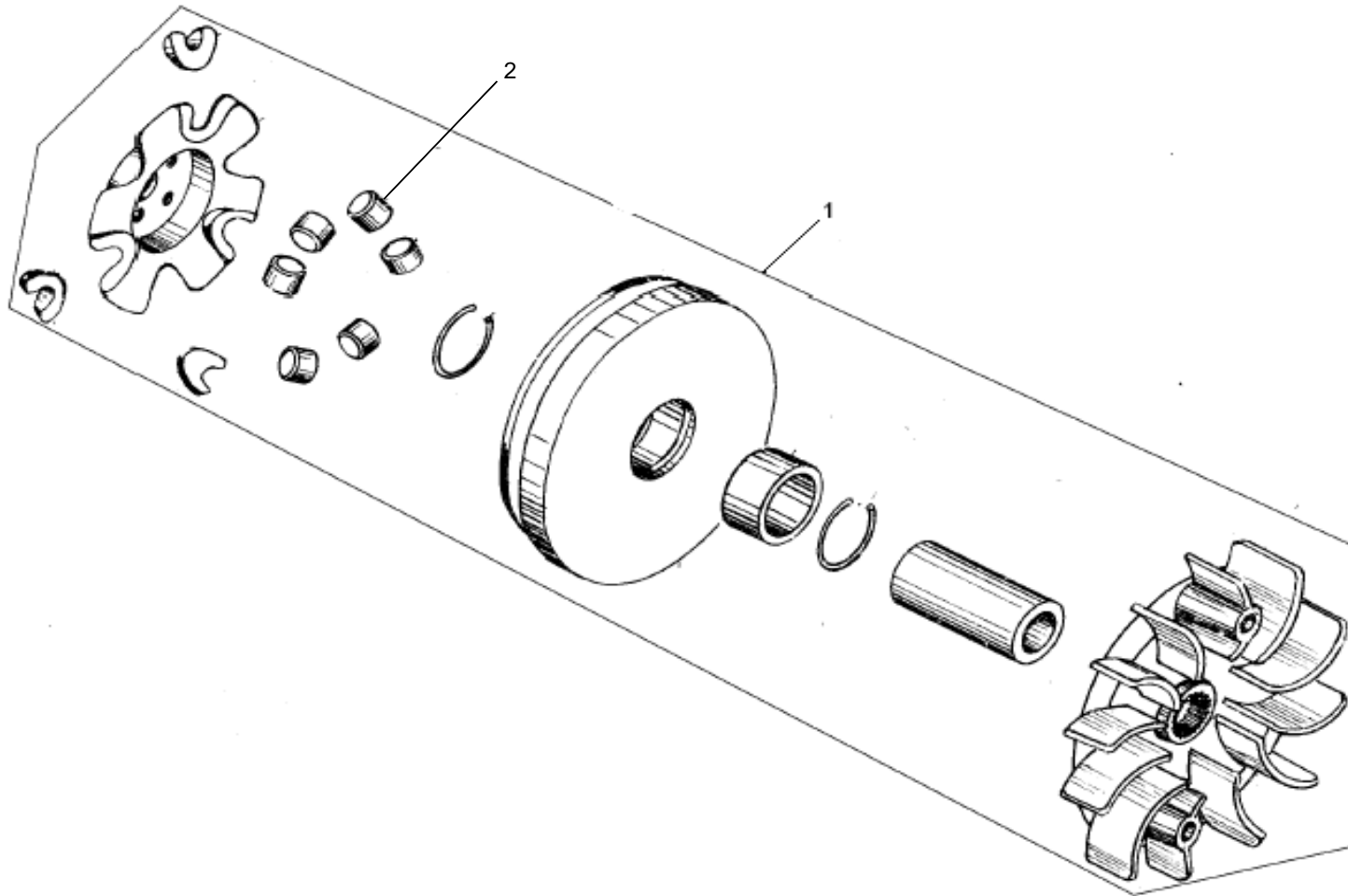
Section 12 - Electric Start

Ref No	Part No	Description	QTY
1	14369	ASM, STARTER CLUTCH - 150CC	1
2	14370	SHAFT, STARTER RED - 150CC	1
3	14371	GEAR, STARTER RED - 150CC	1
4	14372	BOLT, M6 X 1.00 X 16 FHCS ZN	2
5	14373	ASM, STARTER MOTOR - 150CC	1



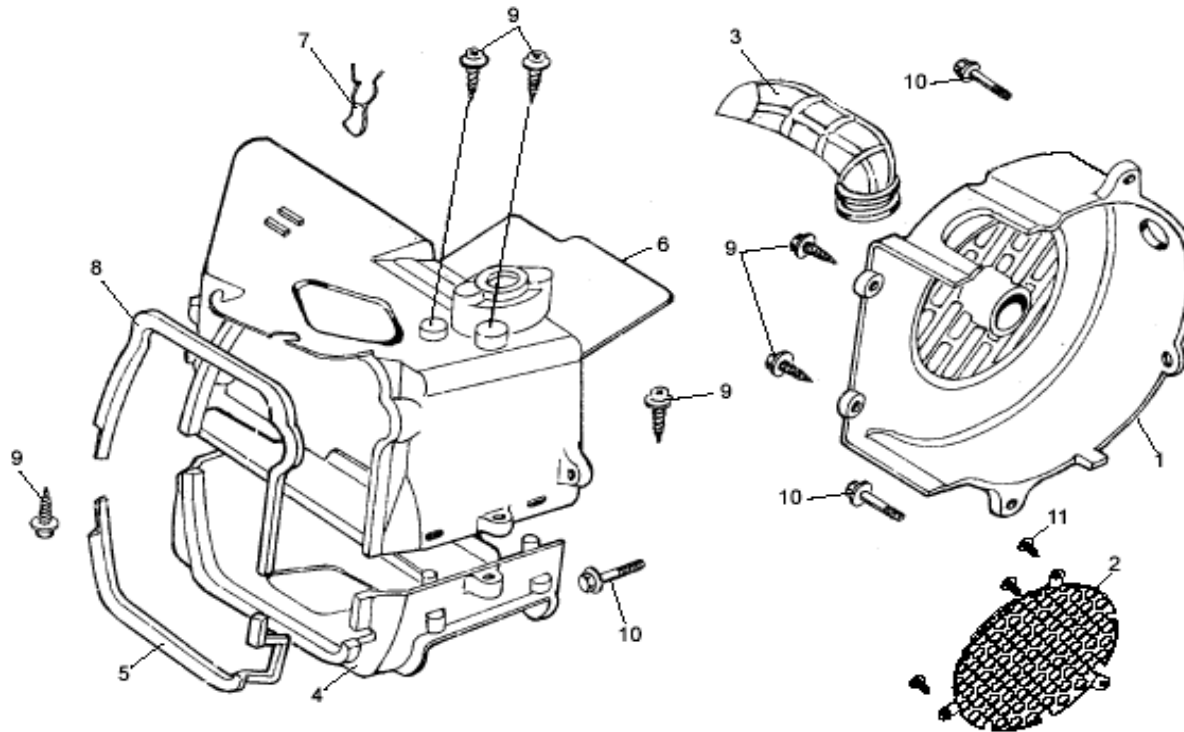
Section 13 - Driver Pulley

Ref No	Part No	Description	QTY
1	14374	ASM, DRIVER PULLEY - 150CC	1
2	14375	WEIGHT, DRIVER PULLEY - 150CC	6



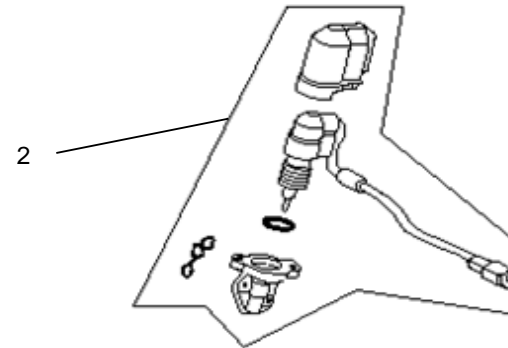
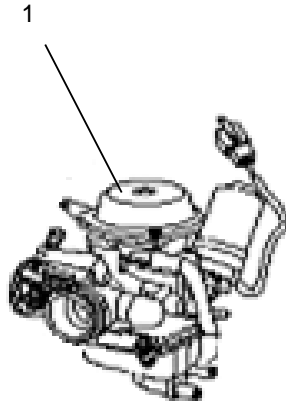
Section 14 - Fan Cover and Shroud Asm

Ref No	Part No	Description	QTY
1	14540	COVER, FAN COMP - 150CC	1
2	14541	COVER, DUST - 150CC	1
3	14542	DUCT, CARBURETOR COOLING - 150CC	1
4	14543	SHROUD, LOWER - 150CC	1
5	14544	SEAL, LOWER SHROUD - 150CC	1
6	14545	SHROUD, UPPER - 150CC	1
7	14546	CLIP, CORD - 150CC	1
8	14547	SEAL, UPPER SHROUD - 150CC	1
9	50065	SCREW TAPPING	6
10	50069	BOLT FLANGE SH 6 X 18	3
11	14539	SCREW, 3.5 X 13 STFH	3



Section 15 - Carburetor

Ref No	Part No	Description	QTY	Ref No	Part No	Description	QTY
1	14925	ASM, CARBURETOR 150CC	1				
2	14924	ASM, AUTOCHOKE	1				



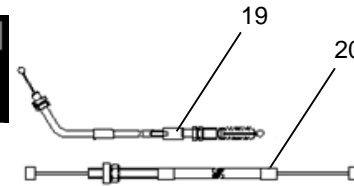
Section 16 - Frame Group

WARNING

ALWAYS WEAR SEATBELT

Seatbelt must be properly fastened and adjusted for each occupant prior to operating the vehicle; See Owner's Manual.

11330-I



WARNING

WEAR A HELMET

Always wear a D.O.T.-approved motorcycle helmet when operating this vehicle.

11329

WARNING

NO RIDING

All occupants must be inside the vehicle and wearing the proper restraints and safety gear. Absolutely no riding on the outside of the vehicle or on the cargo rack.

11330-K

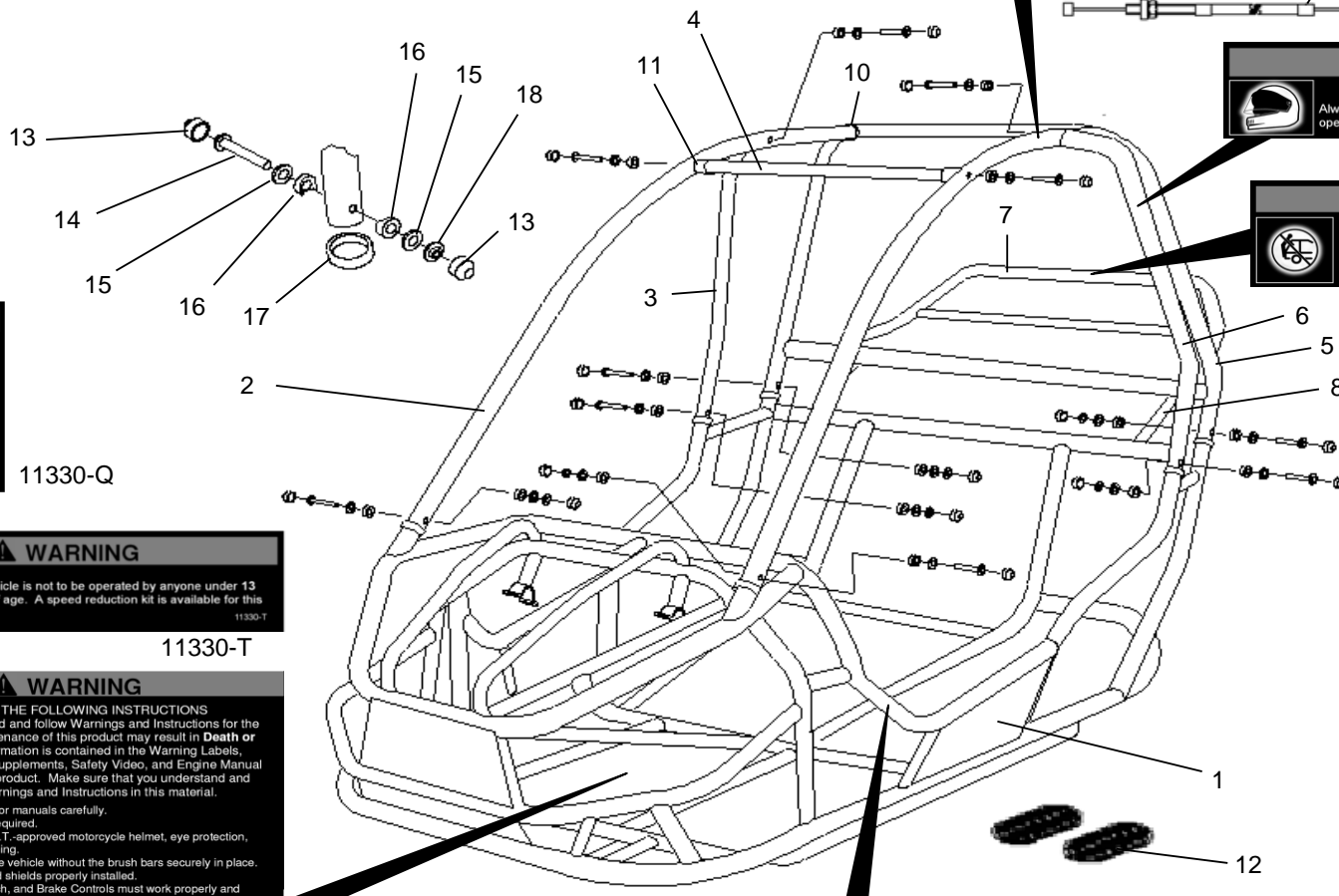
CAUTION

DO NOT SHIFT WHILE IN MOTION

D To change gears, stop the vehicle. Shift with the engine at idle.

N Shifting gears with the engine speed above idle or with the kart in motion may cause transmission damage.

11330-Q



WARNING

This vehicle is not to be operated by anyone under 13 years of age. A speed reduction kit is available for this vehicle.

11330-T

WARNING

OBSERVE THE FOLLOWING INSTRUCTIONS

Failure to understand and follow Warnings and Instructions for the safe use and maintenance of this product may result in **Death or Injury!** This information is contained in the Warning Labels, Owner's Manual & Supplements, Safety Video, and Engine Manual supplied with this product. Make sure that you understand and follow all Warnings and Instructions in this material.

- Read owner/operator manuals carefully.
- Adult supervision required.
- Always wear a D.O.T.-approved motorcycle helmet, eye protection, and protective clothing.
- Do NOT operate the vehicle without the brush bars securely in place.
- Keep all covers and shields properly installed.
- Throttle, Stop Switch, and Brake Controls must work properly and freely before starting the engine.
- Operator must be seated, safety belt must be fastened, and brake applied before operating the vehicle.
- Not legal for street use. Use only on flat, level, off-road terrain.
- Not designed for racing or commercial use.
- Never operate at speeds too fast for your skills or the conditions.
- Never attempt jumps or other stunts.
- Never ride after consuming alcohol, drugs, or other intoxicants.

If you did not receive any of the material listed above, please call 1-800-643-7332 and request to have them sent to you at no charge.

11330-J

WARNING

ENTANGLEMENT HAZARD

Shoulder length and longer hair or loose clothing can get caught in moving parts behind or below the seat. Restrain hair at or above shoulder level. Restrained hair must not interfere with the proper fit of the helmet. Securely restrain anything loose that reaches behind or below the seat.

11330-B

WARNING

CHECK TIRE PRESSURES

Improper inflation of tires can cause loss of control, resulting in serious injury or death. Refer to Owner's Manual for proper operating pressure.

11330-D

11330-J

11330-B

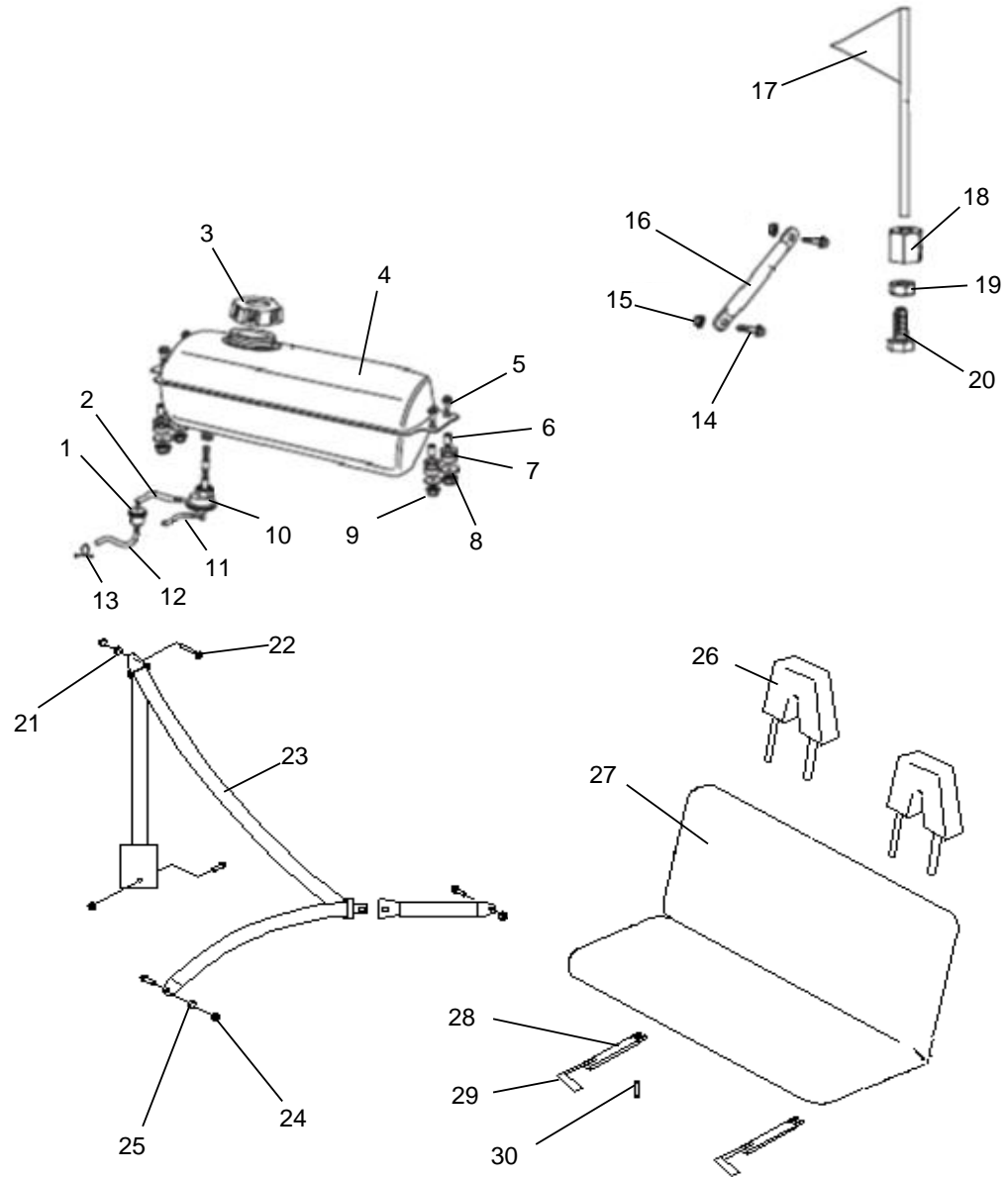
11330-D

Section 17 - Frame Group

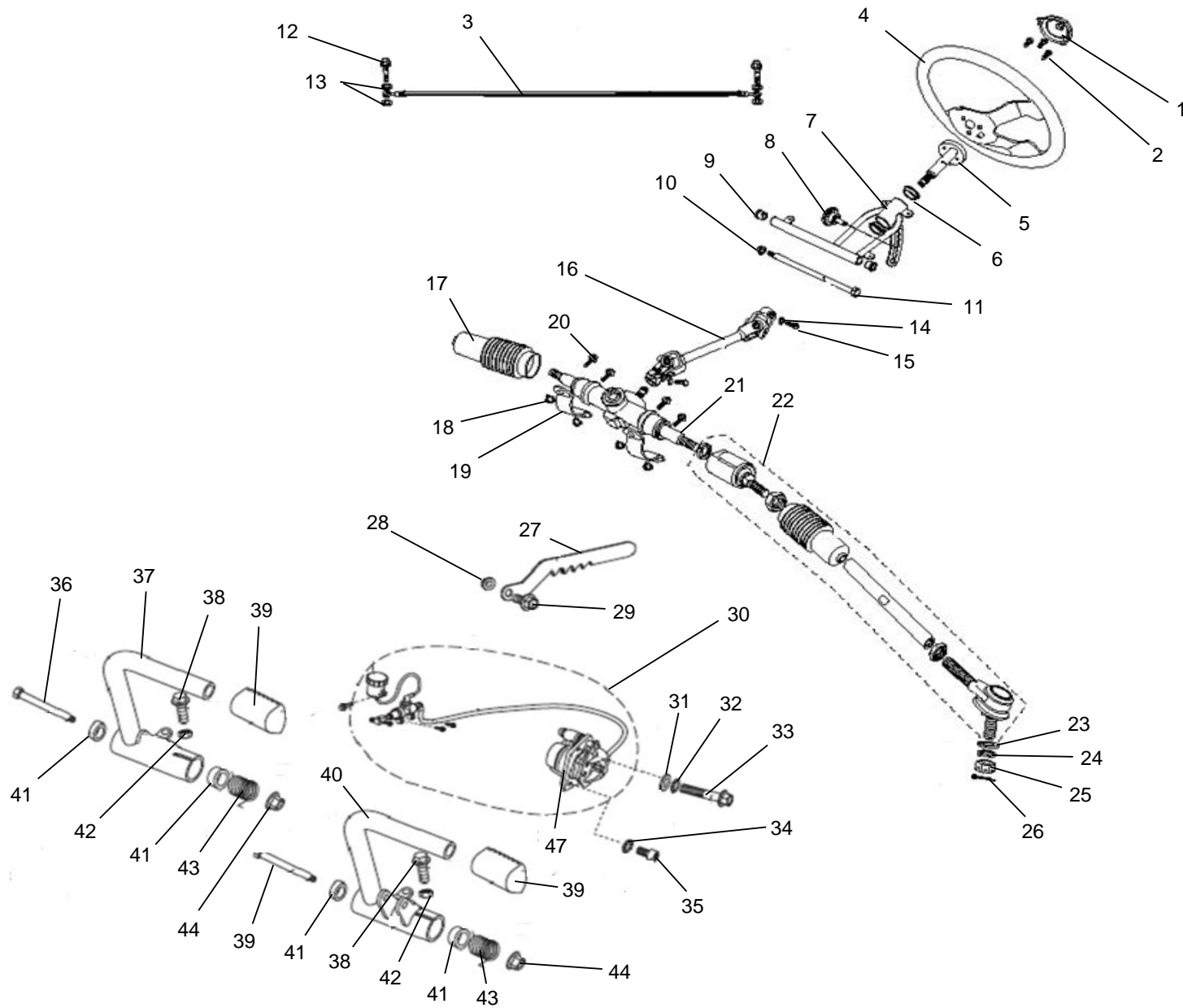
Ref No	Part No	Description	QTY	Ref No	Part No	Description	QTY
1	15000-47	FRAME, 6151 - SILVER	1				
2	15001-48	BAR, A PILLAR - 6152 - CHAR	2				
3	15002-48	BAR, B PILLAR RH - 6152 - CHAR	1				
4	15003-48	BAR, OH CROSS - 6152 - CHAR	1				
5	15004-47	BAR, C PILLAR - 6152 - SILVER	1				
6	15005-48	BAR, B PILLAR LH - 6152 - CHAR	1				
7	15006-47	SPOILER, REAR - 6152 - SILVER	1				
8	15007-47	ARM, SPOILER SPPT - 6152 - SILVER	2				
9	14091	PAD, FOAM B PILLAR W/WRAP (NOT SHOWN)	2				
10	14083	ENDCAP, BAR - 1.25 BLACK PLASTIC	6				
11	14084	ENDCAP, BAR - 1.00 BLACK PLASTIC	2				
12	14092	PAD, RUBER FOOT - 7150	4				
13	14946	COVER, BOLT CAP - 1.25	20				
14	14086	BOLT, M8 X 1.25 X 55 FHCS ZN	14				
15	14944	WASHER, BAR CONNECTION	20				
16	14087	WASHER, 8M CONCAVE CLAMP DAC	20				
17	14942	SEAL, BAR CONNECTION - 1.25	6				
18	14088	NUT, M8 X 1.25 LOCKING FLANGE DAC	6				
19	14456	CABLE, D/N/R SHIFT - 150CC	2				
20	14094	CABLE, THROTTLE - 6150/7150	1				

Section 18 - Frame Group (cont'd)

Ref No	Part No	Description	QTY
1	14167	FILTER, FUEL	1
2	14164	LINE, FUEL #1	1
3	13871	CAP, FUEL - 6150/7150	1
4	14533	TANK, FUEL - 6150 SILVER	1
5	14086	BOLT, M8 X 1.25 X 55 FHCS DAC	4
6	14162	SPACER, FUEL TANK	4
7	14163	BUSHING, FUEL TANK MOUNT	4
8	14293	WASHER, M8 FLAT	4
9	14088	NUT, M8 X 1.25 LOCKING FLANGE	4
10	50210	ASM, AUTO FUEL COCK	1
11	14165	LINE, VACUUM #1	1
12	14166	LINE, FUEL #2	1
13	80050	CLIP - 8 X 0.8	9
14	14239	BOLT, M8 X 1.25 X 20 FHCS DAC	4
15	14088	NUT, M8 X 1.25 LOCKING FLANGE	4
16	15007-47	ARM, SPOILER SPPT - 6152 - SILVER	2
17	14464	FLAG, SAFETY	1
18	14466	NUT, DECORATIVE PLASTIC FLAG MNT	1
19	14492	NUT, M12 X 1.25	1
20	14465	BOLT, M12 X 1.25 X 30 FLAG MOUNTING	1
21	14289	WASHER, M12 STEPPED SEAT BELT	2
22	14451	BOLT, M12 X 1.25 X 25 FHCS DAC	8
23	8778	SEATBELT, RETRACTABLE W/SLEEVE	2
24	14324	NUT, M12 X 1.25 LOCKING FLANGE	8
25	14690	WASHER, M12 DAC	2
26	15008	HEADREST, BLK - 6151	2
27	15009	ASM, SEAT VINYL BENCH - 6151 - BLK	1
28	14171	SLIDE, SEAT (PAIR)	1
29	14994	COVER, SEAT SLIDE HANDLE (BLK)	2
30	14440	BOLT, M8 X 1.25 X 40 HHCS DAC	2



Section 19 - Steering and Brakes



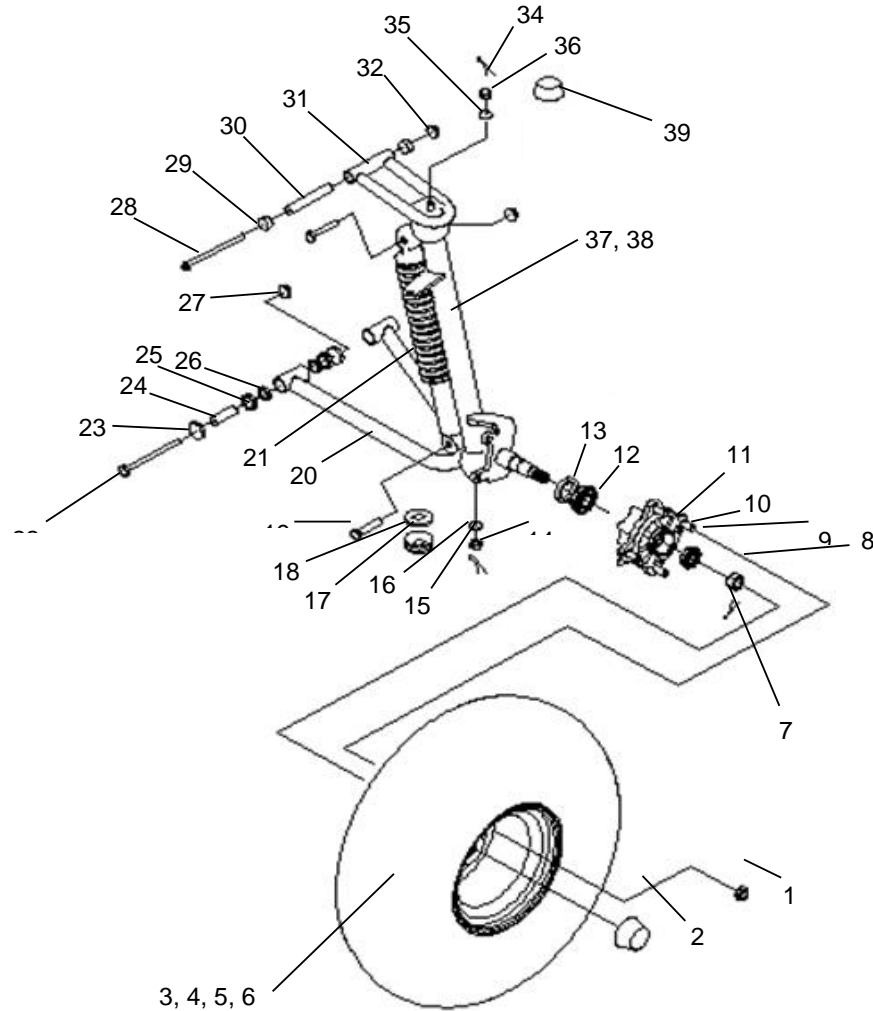
Section 20 - Steering and Brakes

Ref No	Part No	Description	QTY	Ref No	Part No	Description	QTY
1	14100	COVER, STEERING WHEEL - 6150/7150	1	36	15010	BOLT, M12 X 84 SHOULDER DAC	2
2	14237	BOLT, M6 X 1.00 X 12 HHCS DAC	3	37	15011-47	PEDAL, THROTTLE - 6151 - SILVER	1
3	14525	HOSE, BRAKE - 6150	1	38	14430	BOLT, M6 X 1.00 X 25 FHCS DAC	2
4	14102	STEERING WHEEL - 6150/7150	1	39	14527	CAP, BRAKE PEDAL - 6150	2
5	14103	SHAFT, STEERING - 7150	1	40	14387-47	PEDAL, BRAKE - 6151 - SILVER	1
6	14104	BUSHING, FLANGED SLEEVE 20 X 28 X 24.1	2	41	14119	BUSHING, SLEEVE 12 X 21 X 12	4
7	14111	BRACKET, TILT STEERING - RED - 7150	1	42	14236	NUT, M6 X 1.00 NYLOC DAC	2
8	14125	KNOB, STEERING TILT - 7150	1	43	14120	SPRING, BRAKE PEDAL - 7150	2
9	14126	BUSHING, FLANGED SLEEVE 12 X 16 X 12	2	44	14088	NUT, M8 X 1.25 LOCKING FLANGE DAC	2
10	14088	NUT, M8 X 1.25 LOCKING FLANGE DAC	1	45	14412	BOOT, STEERING SHAFT BLACK RUBBER - 7150	2
11	14444	BOLT, M8 X 1.25 X 240 HHCS ZN	1	46	15077	KIT, BRAKE PAD REAR	1
12	14460	BOLT, M10 X 24 BRAKE BANJO	2	47	15076	ASM, BRAKE CALIPER - REAR	1
13	14127	WASHER, BRASS BRAKE LINE	4				
14	14495	WASHER, M8 SPLIT LOCK DAC	2				
15	14437	BOLT, M8 X 1.25 X 25 HHCS ZN	2				
16	14107	SHAFT, STEERING U-JOINT - 7150	1				
17	14109	BOOT, R&P BLACK RUBBER - 7150	2				
18	14088	NUT, M8 X 1.25 LOCKING FLANGE DAC	8				
19	14112	BRACKET, RACK AND PINION MNT	2				
20	14436	BOLT, M8 X 1.25 X 25 FHCS DAC	4				
21	14108	ASM, RACK AND PINION - 7150	1				
22	14459	ASM, TIE ROD END - 7150	2				
23	14240	WASHER, M10 FLAT ZN	2				
24	14241	WASHER, M10 SPLIT LOCK ZN	2				
25	14242	NUT, M10 X 1.25 CASTLE	2				
26	14110	PIN, M2 X 15 COTTER	2				
27	14528	LEVER, PARKING BRAKE - 6150	1				
28	14088	NUT, M8 X 1.25 LOCKING FLANGE DAC	1				
29	14437	BOLT, M8 X 1.25 X 25 HHCS DAC	1				
30	15012	ASM, HYD BRAKE - 6152	1				
31	14293	WASHER, M8 FLAT DAC	1				
32	14495	WASHER, M8 SPLIT LOCK DAC	1				
33	14441	BOLT, M8 X 1.25 X 100 FHCS DAC	1				
34	14748	WASHER, M8 SPLIT LOCK DAC	1				
35	14455	BOLT, M8 X 1.25 X 14 SHCS DAC	1				

Section 21 - Front Suspension

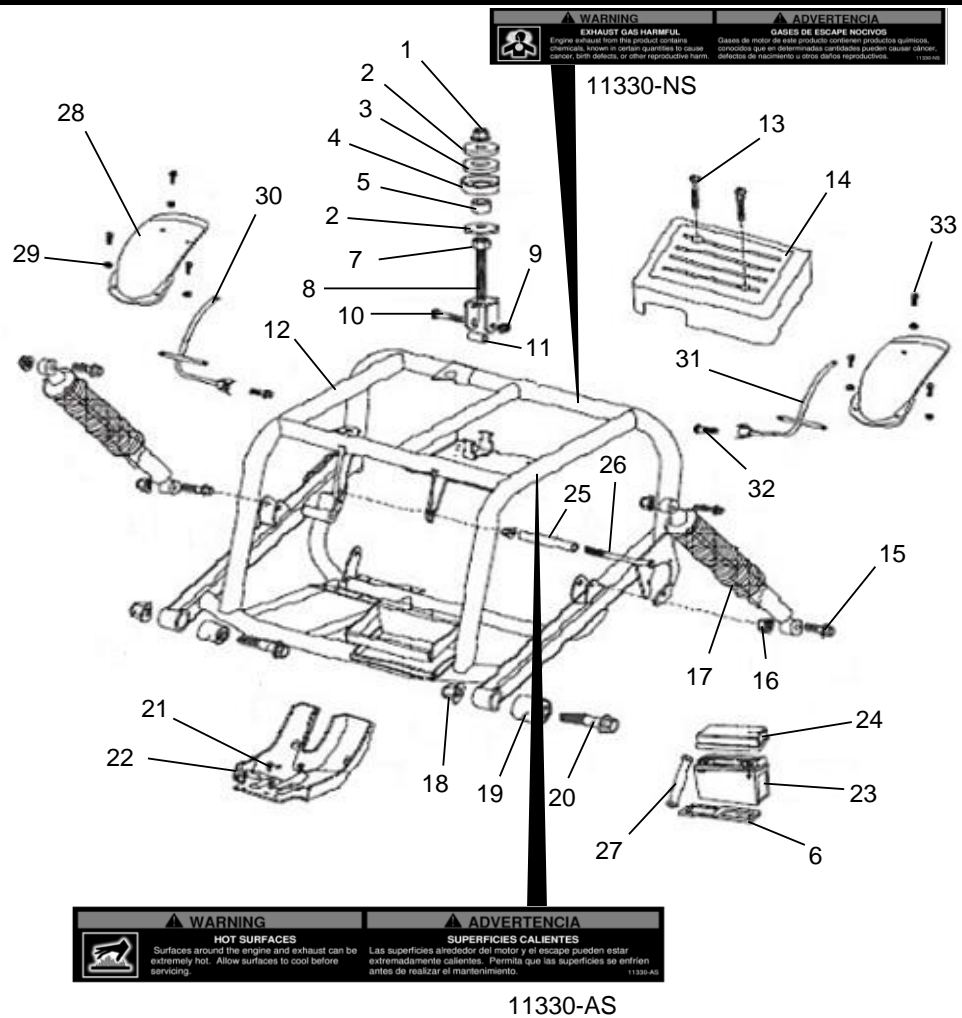
Ref No	Part No	Description	QTY
1	13979	NUT, M10 X 1.25 WF DAC	8
2	14151	CAP, HUB NOSE - BLACK RUBBER	2
3	14397	ASM, TIRE/WH FAR EAST RH - 17X7-8	1
4	14396	ASM, TIRE/WH FAR EAST LH - 17X7-8	1
5	14751	TIRE, FAR EAST 17X7-8	2
6	14755	WHEEL, 8 X 5 4-110MM, SILVER	2
7	14150	PIN, M2 X 20 COTTER	2
8	14727	NUT, M14 X 1.25 CASTLE	2
9	14149	BEARING, OUTER - 6202-Z	2
10	14147	STUD, M10 X 1.25 X 31 WHEEL	8
11	14148	HUB, FRONT WHEEL - 6150/7150	2
12	14146	BEARING, INNER - 6204-Z	2
13	14145	SEAL, M47 X 25 X 7 DUST	2
14	14490	PIN, M1.8 X 20 COTTER	4
15	14242	NUT, M10 X 1.25 CASTLE	2
16	14241	WASHER, M10 SPLIT LOCK ZN	2
17	14137	SEAL, BALL JOINT - 6150/7150	4
18	14138	SPACER, BALL JOINT HEAD - 6150/7150	4
19	14246	BOLT, M10 X 1.25 X 40 FHCS ZN	4
20	14157-47	A ARM, LOWER - SILVER W/ ZERK	2
21	14153	SHOCK, 325MM FRONT - CHR/M/YEL - 7150	2
22	14447	BOLT, M10 X 1.25 X 80 FHCS ZN	4
23	14154	CAP, DUST - LWR SUSP ARM - 7150	8
24	14140	SPANNER, A ARM LOWER - 7150	4
25	14155	BUSHING, FLANGED SLEEVE 15 X 21 X 16	8
26	14156	O-RING, M21.2 X 2.65	8
27	14243	NUT, M10 X 1.25 LOCKING FLANGE ZN	8
28	14133	BOLT, M8 X 1.25 X 105 FHCS ZN	2
29	14126	BUSHING, FLANGED SLEEVE 12 X 16 X 12	4
30	14134	SPANNER, A ARM UPPER - 7150	2
31	14136-47	A ARM, UPPER - SILVER W/ZERK	2
32	14088	NUT, M8 X 1.25 LOCKING FLANGE ZN	2
33	14594	GREASE ZERK (NOT SHOWN)	6
34	14490	PIN, M1.8 X 20 COTTER	4
35	14245	WASHER, M12 SPLIT LOCK ZN	2
36	14244	NUT, M12 X 1.25 CASTLE DAC	8
37	15205-48	ASM, STRUT/SPINDLE LH - CHAR - 6152	1
38	15204-48	ASM, STRUT/SPINDLE RH - CHAR - 6152	1
39	14834	CAP, NUT COVER RUBBER - BLK	2
40	14243	NUT, M10 X 1.25 LOCKING FLANGE DAC	4
41	15206	FENDER, FRONT MOUNT - 6152	2

Ref No	Part No	Description	QTY
42	15207	MOUNT, FRONT FENDER RH - 6152	1
43	15208	MOUNT, FRONT FENDER LH - 6152	1



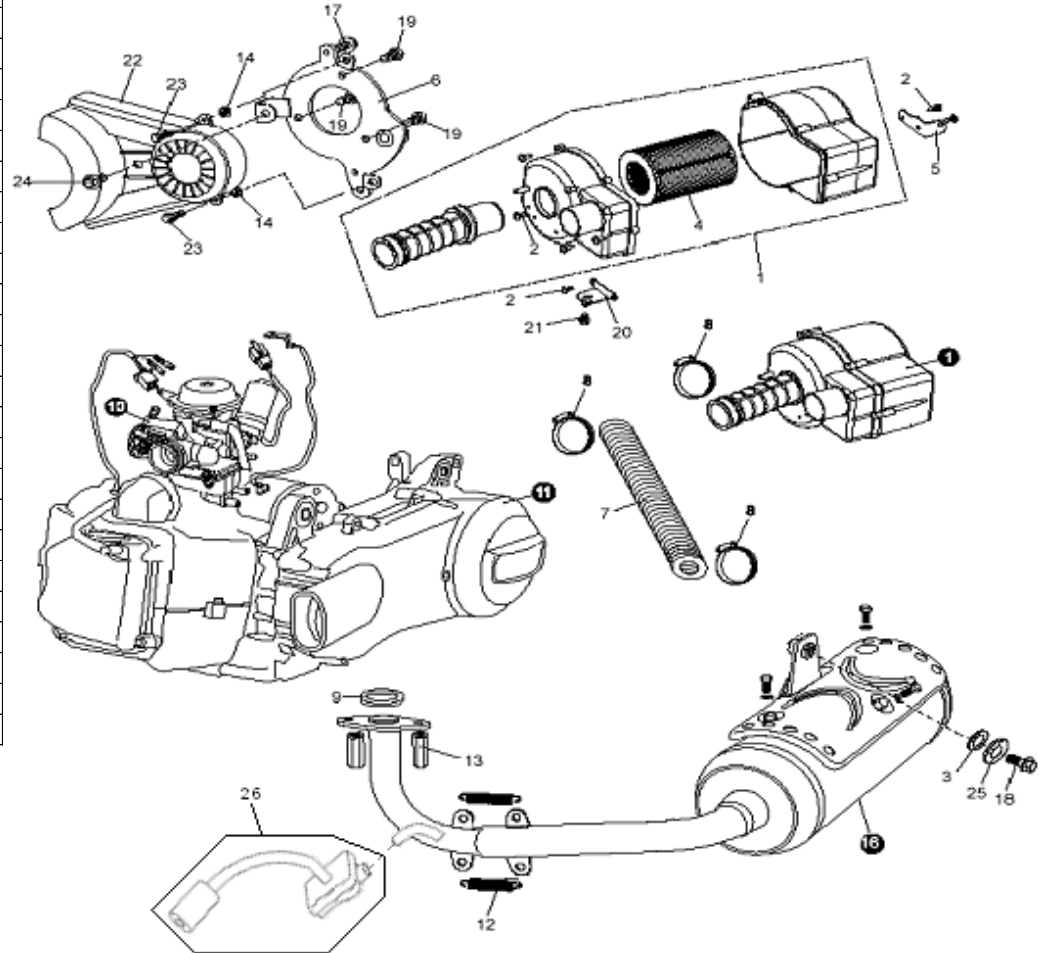
Section 22 - Rear Swingarm Asm

Ref No	Part No	Description	QTY
1	14324	NUT, M12 X 1.25 LOCKING FLANGE DAC	1
2	14289	WASHER, M12 FLAT DAC	2
3	14467	BUSHING, ENGINE ADJ ISOLATOR - 150CC	1
4	14468	SPACER, ENGINE ADJ CUP - 150CC	1
5	14469	SPACER, ENGINE ADJ ALIGNMENT - 150CC	1
6	14188	GASKET, BATTERY CAP - 150CC	1
7	14492	NUT, M12 X 1.25 HEX DAC	1
8	14470	LINK, CHAIN TENSIONING - 150CC	1
9	14243	NUT, M10 X 1.25 LOCKING FLANGE DAC	1
10	14446	BOLT, M10 X 1.25 X 45 FHCS DAC	1
11	14471	SPACER, ENGINE MOUNTING LINK - 150CC	1
12	14405-47	ASM, REAR SWINGARM - SILVER - 6150	1
13	14431	BOLT, M6 X 1.00 X 60 FHCS DAC	2
14	14172	COVER, ELECTRICAL - 6150/7150	1
15	14246	BOLT, M10 X 1.25 X 40 FHCS DAC	4
16	14243	NUT, M10 X 1.25 LOCKING FLANGE DAC	5
17	14535	SHOCK, REAR - 6150	2
18	14324	NUT, M12 X 1.25 LOCKING FLANGE DAC	2
19	14191	BUSHING, SWINGARM ISOLATOR - 150CC	2
20	14452	BOLT, M12 X 1.25 X 60 FHCS ZN	2
21	14372	BOLT, M6 X 1 X 16 FHCS DAC	4
22	14185	GUARD, LOWER CHAIN - 150CC	1
23	14189	BATTERY - GTX9-BS	1
24	14186	COVER, BATTERY - 150CC	1
25	14177	SPANNER, ENGINE MOUNT	1
26	14449	BOLT, M10 X 1.25 X 195 HHCS DAC	1
27	14187	STRAP, BATTERY HOLD DOWN - 150CC	1
28	14180	FENDER, REAR - GBLACK 10.5IN (OPTIONAL)	2
29	14236	NUT, M6 X 1.00 NYLOC FLANGE DAC	6
30	14181	BRACKET, RH REAR FENDER (OPTIONAL)	1
31	14179	BRACKET, LH REAR FENDER (OPTIONAL)	1
32	14247	BOLT, M8 X 1.25 X 45 FHCS DAC	2
33	14820	BOLT, M6 X 1.00 X 14 FHCS SS	6



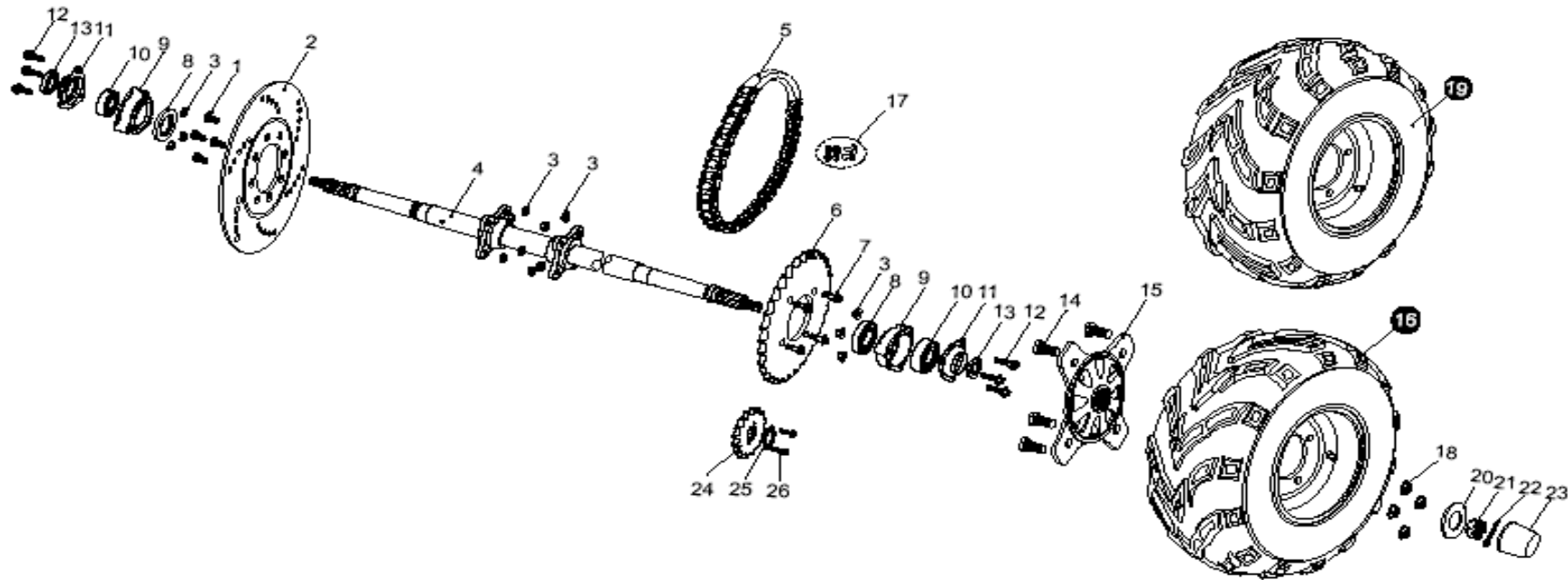
Section 23 - Engine/Muffler/Air Cleaner

Ref No	Part No	Description	QTY
1	14192	ASM, AIR CLEANER - 150CC	1
2	14423	SCREW, M5 X 16 PHSM ZN	9
3	14495	WASHER, M8 SPLIT LOCK ZN	1
4	14194	FILTER, AIR - 150CC	1
5	14201	BRACKET, #2 AIR CLEANER MNT - 6150/7150	1
6	14480	BRACKET, REAR ENG MOUNT - 150CC	1
7	14195	HOSE, AIR INTAKE - 150CC	1
8	14481	CLAMP, HOSE 45MM	3
9	14196	GASKET, EX PIPE - 150CC	1
10	14925	ASM, CARBURETOR 150CC	1
11	14198	ASM, ENGINE - 6150	1
12	14482	SPRING, EXHAUST PIPE - 150CC	2
13	50050	NUT (HEX) CAP M6	2
14	14236	NUT, M6 X 1.00 NYLOC FLANGE ZN	2
16	14760	ASM, MUFFLER W/ AIR INJ MOUNT-6150/7150	1
17	14433	BOLT, M8 X 1.25 X 15 FHCS ZN	3
18	14439	BOLT, M8 X 1.25 X 40 FHCS ZN	1
19	14239	BOLT, M8 X 1.25 X 20 FHCS ZN	3
20	14200	BRACKET, #1 AIR CLEANER MNT - 6150/7150	1
21	14445	BOLT, M10 X 1.25 X 10 FHCS ZN	1
22	14484	GUARD, CHAIN - 150CC	1
23	14426	BOLT, M6 X 1.00 X 14 FHCS ZN	2
24	14434	BOLT, M8 X 1.25 X 16 FHCS ZN	1
25	14497	WASHER, M8 X 27 X 2 FLAT ZN	1
26	14762	AIR INJECTION ASM, MUFFLER - 6150/7150	1



Section 24 - Rear Axle

Ref No	Part No	Description	QTY	Ref No	Part No	Description	QTY
1	14435	BOLT, M8 X 1.25 X 22 FHCS ZN	4	16	14398	ASM,TIRE/WHL LR FAR EAST-6150	1
2	14202	DISC, 8.75 REAR BRAKE - 6150/7150	1	17	14215	MASTER LINK, 50	1
3	14088	NUT, M8 X 1.25 LOCKING FLANGE ZN	16	18	13979	NUT, M10 X 1.25 WF DAC	8
4	14816	AXLE, TAPERED END - 200 SERIES	1	19	14399	ASM,TIRE/WHL RR FAR EAST-6150	1
5	14204	CHAIN 50 X 52P INC ML	1	20	14724	WASHER, 29.5 X 17MM X 3.0 ZN	2
6	14205	SPROCKET, 50P 32T - 6150/7150	1	21	14249	NUT, M16 X 2.00 CASTLE	2
7	14436	BOLT, M8 X 1.25 X 25 FHCS ZN	4	22	14213	PIN, M4 X 30 COTTER	2
8	14206	SEAL, M50 X 34 X 7 DUST	2	23	14151	CAP, HUB NOSE - BLACK RUBBER	2
9	14207	HOUSING, AXLE BRG - 6150/7150	2	24	14217	SPROCKET, 50P 16T - 6150/7150	1
10	14208	BEARING - 6206	2	25	14218	KEEPER, SPROCKET - 6150/7150	1
11	14209	FLANGE, BEARING - 6150/7150	2	26	14296	BOLT, M6 X 1.00 X 12 FHCS ZN	2
12	14439	BOLT, M8 X 1.25 X 40 FHCS ZN	6	27	14752	TIRE, 18 X 9.5-8 FAR EAST	1
13	14210	SEAL, M42 X 30 X 7 DUST	2	28	14756	WHEEL, 8 X 4.75 4-165MM, SILVER	2
14	14147	STUD, M10 X 1.25 X 31 WHEEL	8				
15	15013	HUB, TAPERED 150CC - 4-165MM	2				



Section 25 - Electrical

Ref No	Part No	Description	QTY
1	14222	SWITCH, KEYED IGNITION W/KEY - 6150/7150	1
2	14588	KEY SET - 6150/7150	1
3	14741	HARNESS, MAIN WIRING - 6150	1
4	14743	HARNESS, SWINGARM WIRING - 6150	1
5	14231	FUSE, 15AMP - WAYTEK 46115	2
6	14227	COIL, IGNITION W/CAP - 6150/7150	1
7	14221	SWITCH, ENGINE STOP - 6150/7150	2
8	14486	HARNESS, BATTERY - 150CC	1
9	14425	BOLT, M5 X .75 X 25 PHMS ZN	1
10	14491	NUT, M5 X .75 NYLOC ZN	1
11	14225	RELAY, STARTER - 6150/7150	1
12	14226	CDI - 6150/7150	1
	14572	CDI, 20MPH REV LIMITED-150CC	1
13	14818	REGULATOR, VOLTAGE - 150CC	1
14	14428	SCREW, M6 X 1.00 X 20 PHMS ZN	2
15	14236	NUT, M6 X 1.00 NYLOC FLANGE ZN	7

