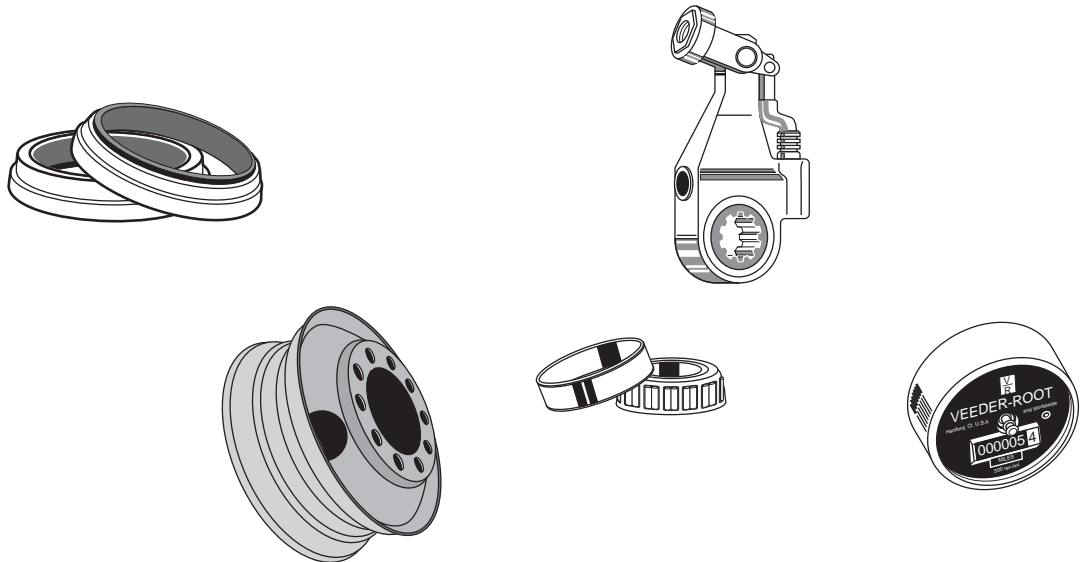


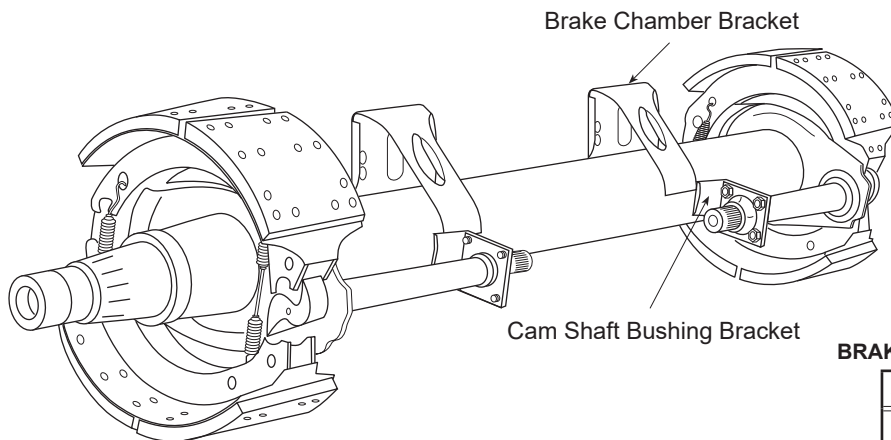
Axles.....	10-1
Camshafts .....	10-2
Bearings and Races .....	10-3
Hub and Drum Assemblies .....	10-4
Drums .....	10-5
Wheels and Rims .....	10-6
Slack Adjusters .....	10-7
Wheel Seals .....	10-8
Wheel Seal Interchange Chart .....	10-9
Hubodometers .....	10-10
Hubcaps .....	10-11
Miscellaneous Parts .....	10-12







**Note:** Non-ABS TN/TQ Axle pictured. Axles no longer offered without sensor blocks.



Assembled Axle Quotes Available Upon Request

For Brake Hardware Kits, see page 10-12

**BRAKE CHAMBER BRACKET**

Stoughton Number
<b>DNM10WJ227</b>
<b>RW3299-A-5981</b>

**CAM SHAFT BUSHING BRACKET**

Stoughton Number
<b>DNM16WHR50-L/R</b>
<b>RW3299-T-5844</b>

**71.5" TRACK / 16.5 X 7 BRAKE**

Stoughton Number	Description	Camshaft Application	Remarks
<b>AXL 71-50-STD</b>	1/2 Wall – Standard Cams	A	For Spring Ride
<b>AXL 71-62-LNG</b>	5/8 Wall – Long Cams	B	For Air Ride

**77.5" TRACK / 16.5 X 7 BRAKE**

Stoughton Number	Description	Camshaft Application	Remarks
<b>AXL 77-50-STD</b>	1/2 Wall – Standard Cams	C	For Spring Ride
<b>AXL 77-62-INT</b>	5/8 Wall – Intermediate Cams	E	For CB400/4000
<b>AXL 77-62-LNG</b>	5/8 Wall – Long Cams	D	For Air Ride

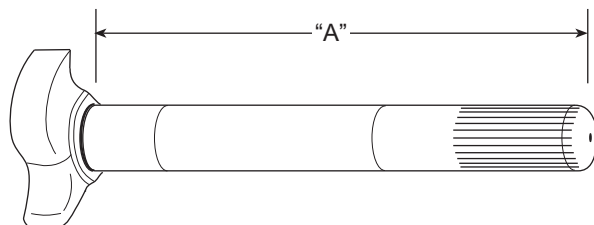
**Note:** All axles are Rockwell, TN/TQ Spindles, ABS ready with 16.5 x 7 standard production brake lining.

**CAMSHAFT APPLICATION**

Camshaft Application	Stoughton Number	Rebush Kit	Remarks
<b>A</b>	<b>RW2210-Q-8155</b> <b>RW2210-R-8156</b>	<b>RWKIT8069</b>	RH LH
<b>B</b>	<b>RW2210-D-6868</b> <b>RW2210-E-6869</b>	<b>RWKIT8069</b>	RH LH
<b>C</b>	<b>RW2210-Q-8155</b> <b>RW2210-R-8156</b>	<b>RWKIT8078</b>	RH LH
<b>D</b>	<b>RW2210-D-6868</b> <b>RW2210-E-6869</b>	<b>RWKIT8078</b>	RH LH
<b>E</b>	<b>RW2210-F-6870</b> <b>RW2210-G-6871</b>	<b>RWKIT8091</b>	RH LH

## CAMSHAFTS

**SPICER®**



**10 SPLINE "S" HEAD  
FOR 12 1/4" BRAKES**

Stoughton Number	"A"
DNM12WKL10-184	18 1/2"
DNM12WKR10-184	18 1/2"

**28 SPLINE "S" HEAD  
FOR 12 1/4" BRAKES**

Stoughton Number	"A"
DNM12WKL20-233	23 3/8"
DNM12WKR20-233	23 3/8"

**10 SPLINE "S" HEAD**

Stoughton Number	"A"
DNM16WKL10-196	19 3/4"
DNM16WKL10-205	20 5/8"
DNM16WKL10-227	22 7/8"
DNM16WKL10-231	23 1/8"
DNM16WKL10-236	23 3/4"
DNM16WKL10-264	26 1/2"
<hr/>	
DNM16WKR10-196	19 3/4"
DNM16WKR10-205	20 5/8"
DNM16WKR10-227	22 7/8"
DNM16WKR10-231	23 1/8"
DNM16WKR10-236	23 3/4"
DNM16WKR10-264	26 1/2"

**28 SPLINE "S" HEAD**

Stoughton Number	"A"
DNM16WKL20-175	17 5/8"
DNM16WKL20-205	20 5/8"
DNM16WKL20-227	22 7/8"
DNM16WKL20-231	23 1/8"
DNM16WKL20-236	23 3/4"
DNM16WKL20-242	24 1/4"
<hr/>	
DNM16WKR20-175	17 5/8"
DNM16WKR20-205	20 5/8"
DNM16WKR20-227	22 7/8"
DNM16WKR20-231	23 1/8"
DNM16WKR20-236	23 3/4"
DNM16WKR20-242	24 1/4"

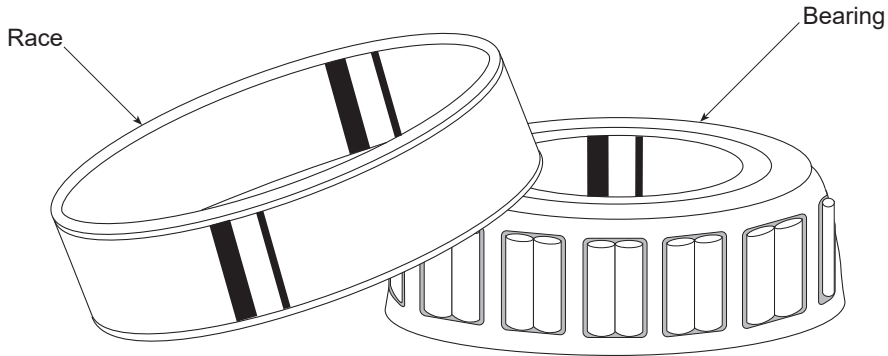
**28 SPLINE ROCKWELL CAMSHAFT  
1 1/2" DIAMETER**

Stoughton Number	"A"
DNR16WKL21-243	24 3/8"

**37 SPLINE PROPAC CAMSHAFT  
1 5/8" DIAMETER**

Stoughton Number	"A"
DNP16WKL30-164	16 1/2"
DNP16WKL30-214	21 1/2"
<hr/>	
DNP16WKL30-164	16 1/2"
DNP16WKL30-214	21 1/2"

Arvin-Meritor (Rockwell) camshafts also available.  
Contact Stoughton Parts Sales with your needs.



General  
**HYATT**<sup>®</sup>

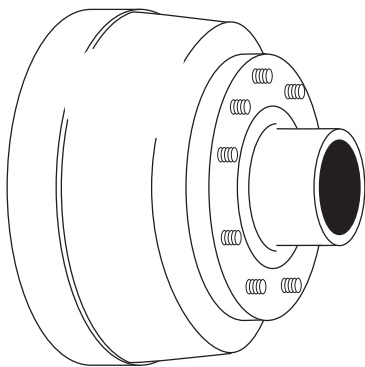
**TIMKEN**<sup>®</sup>  
REGISTERED TRADEMARK

BEARINGS	RACES
Stoughton Number	Stoughton Number
GB28622	GB3720
GB28682	GB39520
GB3782	GB45220
GB39590	GB47620
GB45280	GB572
GB47686	GB592A
GB563	GB653
GB567	GBHH506310
GB580	GBHM212011
GB582	GBHM218210
GB593	GBHM518410
GB594A	
GB598A	
GB663	
GB665A	
GB752	
GB756A	
GBH715311	
GBH715345	
GBHM212047	
GBHM212049	
GBHM218248	
GBHM518445	

BEARINGS	RACES		
Stoughton Number	Remarks	Stoughton Number	Remarks
TB28622		TB45220	
TB28682		TBHM212011	Outer*
TB3782		TBHM218210	Inner*
TB45280		TBHM518410	
TB47686			
TB593			
TB665A			
TB752			
TB756A			
TBH715311			
TBH715345			
TBHM212049	Outer*		
TBHM218248	Inner*		
TBHM518445			

\* Production standards for TN/TQ axles

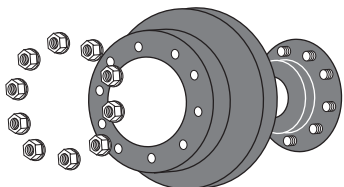
## HUB AND DRUM ASSEMBLIES



### OUTBOARD MOUNT (STUD MOUNT)

Stoughton Number	Vendor	Description
<b>WB10209 – MR</b> <b>WB66893</b> <b>WB101172</b>	Webb	Hub (with Bearing Cups & Studs), Right Hand Drum* Studs, Right Hand
<b>WB10209 – ML</b> <b>WB66893</b> <b>WB101172</b>	Webb	Hub (with Bearing Cups & Studs), Left Hand Drum* Studs, Left Hand

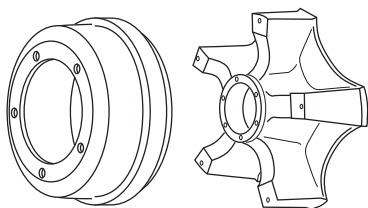
\* Drum is also service replacement for Budd 2809004 and Hayes 2809003 assemblies



### UNI-MOUNT 10 ASSEMBLY (HUB PILOTED)

Stoughton Number	Vendor	Consists Of:
<b>WB20231UQ3KIT</b> (Non ABS. Replaces Budd 106308 assy.) <b>WB20231UQ3T-25KT</b> (With ABS. Same, but uses WB20231--3T hub with toner ring.)	Webb	04 65081 000 00 Flanged Cap Nuts WB20231 – 3 Hub WB66864 Drum* WB101162 Studs WB101160 Stud for Alum. Wheels (optional)

\* Drum is also service replacement for Hayes 2809001 and 4809001 assemblies

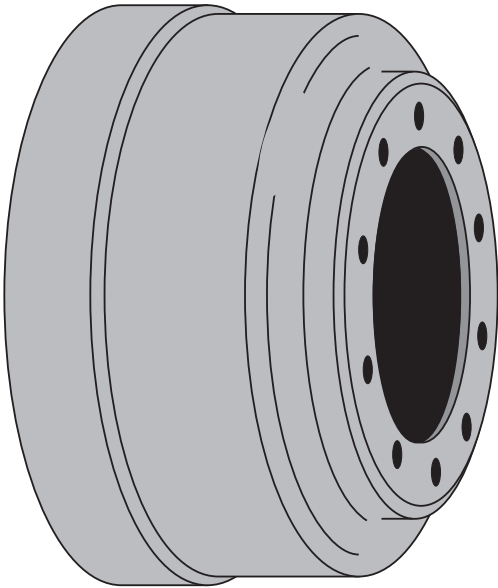


### 5 SPOKE HUB & DRUM

Stoughton Number	Vendor	Description
<b>WB75209 – A</b> <b>WB67518</b>	Webb #7520	Hub Assembly Drum

Call with VIN (Serial Number) for correct application

Note: See page 10-12 for more Wheel Studs



Webb Number	Gunite Number	Dayton Number
WB60876*	3120	120877
WB61528B*		
WB61730		
WB61780	2577A	122600
WB62200*	2705	
WB62240	2730	120574
WB62997	2997	122009
WB63637		
WB63680F*		
WB66864*		123416
WB66864F**		
WB66875F*		
WB66865B*		
WB66884*		
WB66884B*		123022
WB66893*	3166	122607
WB66894*		
WB66895	3141	122550
WB66895B*		
WB68730*	3018A	122126
WB68760		
WB67518*	2353C	122822
WB68765*	2546C	120586
WB68891		
WB68891B*		
WB68897	8656	120754
WB68927		
WB68942	3136A	122455
WB68981B*		
WB69996B		12307

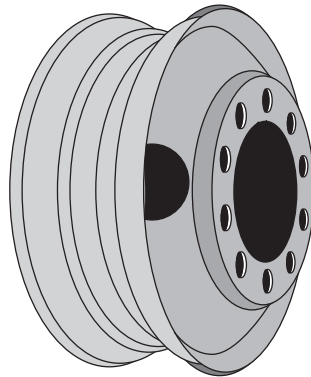
\* Webb drums in stock are in our PDC. Call or log on for current inventory.

\*\* Stoughton "Value" Drum replacement

04-65001-000-00 (cast instead of machined).

"Drop" Ship programs available for Webb, Arvin-Meritor and KIC-Reyco. Call with your needs.

## WHEELS AND RIMS

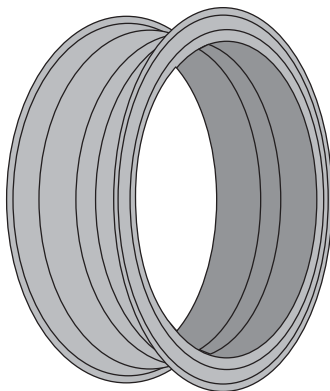


### DISC WHEELS

Stoughton Number	Accuride Number	Hayes Wheel Number	Size	Material & Color	Remarks
04-65241-000-00 04-65241-245-00	Same as 28408		22.5" X 8.25"	Steel/White	Uni-mount*
	Same as 28409		24.5" X 8.25"	Steel/White	Uni-mount*
	AC27404	HA 87905	22.5" X 8.25"	Steel / White	Ball-N-Seat
	AC27406	HA 87897	24.5" X 8.25"	Steel / White	Ball-N-Seat
	AC28408	HA 90541	22.5" X 8.25"	Steel / White	Uni-mount
	AC28409	HA 90542	24.5" X 8.25"	Steel / White	Uni-mount

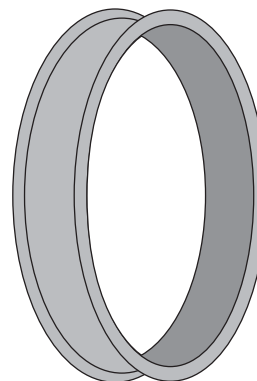
\* Powder coated, includes valve stem.

**Note:** Accuride powder coated wheels - number is the same except the first digit changes from 2 to 5.



### RIMS

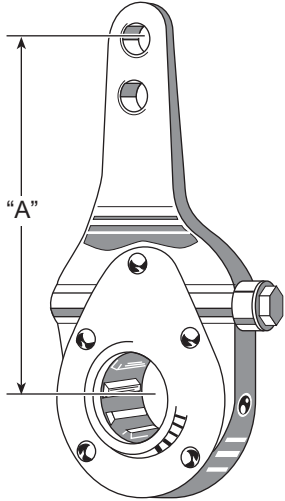
Stoughton Number	Size	Color
AC262FL2	20" x 7.50"	Gray
AC30391N-22.5	22.5" x 8.25"	Gray
AC30391N-24.5	24.5" x 8.25"	Gray



### RIM SPACERS

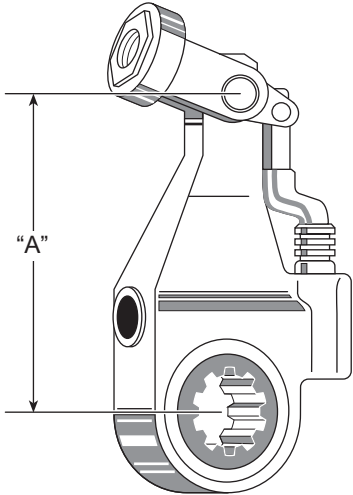
Stoughton Number	Size	Color
AC3520KSB	20" x 3.63"	Gray
AC4020KSB	20" x 4"	Gray
AC4220KSB	20" x 4.25"	Gray
AC4420KSB	20" x 4.50"	Gray





**MANUAL SLACK ADJUSTERS**

Stoughton Number	Spline	"A"
MKN44041	37	6"
MKN44051	28	5", 6"
MKN44061	28	5 1/2", 6 1/2"
MKN47001	10	5", 6", 7"
MKN47011	10	5 1/2", 6 1/2"
MKN48031	10	5 1/2"
SIS2010A	10	5", 6", 7"
SIS2022A	28	5", 6", 7"



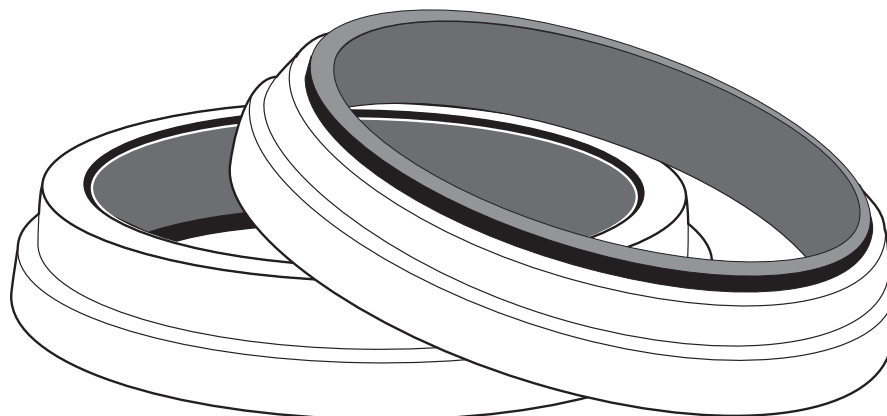
**AUTOMATIC SLACK ADJUSTERS**

Stoughton Number	Spline	"A"
CI21102	10	5 1/2", 6 1/2"
CI21103	10	5", 6"
CI22102	28	5 1/2", 6 1/2"
CI22103	28	5", 6"
CI23102	37	5 1/2", 6 1/2"
CI23106	37	6"
HX400-10143	10	5 1/2"
HX400-10211	28	5 1/2"
HX400-10212	28	6"
HX400-10216	10	6"
RWR801003	28	5 1/2"
RWR801074	28	6"
RWR801102	37	6"

Crewson  
Industries

**Haldex**<sup>®</sup>

**SIRCO**

**WHEEL SEALS**

Stemco Number
ST307-0713 ST307-0723 ST307-0743 ST308-0836
ST308-0853 ST308-0856 ST308-0864 ST309-0903
ST309-0912 ST309-0915 ST309-0960 ST309-0964
ST309-0973 ST372-7003 ST373-0144 ST372-7097
ST372-7098 ST372-7099 ST382-8023 ST382-8028
ST382-8034 ST382-8036 ST383-8139 ST382-8053
ST382-8056 ST392-9012 ST392-9081 ST392-9087
ST392-9088 ST392-9094 ST392-9096 ST392-9132
ST392-9098 ST392-9099 ST392-9112



# WHEEL SEAL INTERCHANGE CHART

Triseal		Stemco			CR	National	Carrier	Eaton
Part Number								
Standard Service	Severe Service	Saturn Unitized	Set	Seal	Part Number			
<b>Trailer Axle</b>								
TS69541	TS70541	.	ST372-7024	ST320-2173	42624	370107A	M740400	.
TS69541	TS70541	.	ST372-7091	ST320-2173	.	.	.	.
TS69590	.	.	ST372-7006	ST320-1036	35705	370002A	M746400	.
TS69520	TS70596	TS65262U	ST372-7023	ST320-2023	42622	370065A	M745400	851
TS69520	TS70596	TS65262U	ST372-7099	ST320-2023	42623	370590A	.	.
TS69520	TS70596	TS65262U	ST307-0723	ST327-2705	.	.	.	.
TS69510	TS70597	TS65261U	ST372-7013	ST320-2109	40133	370036A	M747400	850
TS69510	TS70597	TS65261U	ST372-7098	ST320-2109	40136	.	.	.
TS69510	TS70597	TS65261U	ST307-0713	ST327-2704	.	.	.	.
TS69598	TS70598	TS65060U	ST372-7043	ST320-2110	46304	370025A	M745400	859
TS69598	TS70598	TS65060U	ST372-7097	ST320-2110	46305	380025A	M755400	.
TS69598	.	TS65060U	ST307-0743	ST327-2701	.	.	.	.
TS69599	.	TS65298U	ST372-7095	ST320-2118	43752	370037A	M749400	853
TS69599	.	TS65298U	ST307-0744	ST327-2709	43753	370338A	.	.
<b>Front Axle</b>								
TS69611	.	TS65116U	ST382-8017	ST320-2017	32470	370018A	M710400	.
TS69628	.	TS65294U	ST382-8039	ST320-2039	39988 W/455031	370033A W/AR12	M719400 W/401253	.
TS69628	.	TS65294U	.	.	39977 W/455031	.	.	.
TS69690	.	.	ST382-8028	ST320-2028	48794	370007A	M708400	.
TS69692	.	TS65000U	ST382-8053	ST320-2181	44919	370124A	M714400	855
TS69692	.	TS65000U	ST308-0853	ST327-2708	44922	.	.	.
TS69693	.	TS65291U	ST382-8034	ST320-2034	36285	370012A	M709400	.
TS69693	.	TS65291U	.	.	.	.	M716400	.
TS69695	.	.	ST382-8044	ST320-2105	28832	370054A	M725400	.
TS69696	.	TS65078U	ST382-8056	ST320-2199	45102	370131A	M736400	857
TS69696	.	TS65078U	ST308-0856	ST327-2710	45103	.	.	.
TS69697	.	TS65092U	ST382-8064	ST320-2137	43763	370048A	M706400	.
TS69697	.	TS65092U	ST308-0864	ST327-2711	43764	370182A	.	.
TS69698	.	.	ST382-8060	ST320-2023	43800 W/455034	370020A W/AR10	.	.
TS69699	.	TS65263U	ST382-8036	ST320-2036	35059	370001A	M705400	847
TS69699	.	TS65263U	ST308-0836	ST327-2702	35066	380001A	.	.
<b>Drive Axle</b>								
TS69705	.	TS65275U	ST392-9010	ST320-2010	38709	370033A	M776400	.
TS69706	.	.	ST392-9099	ST320-2102	38780	370008A	.	.
TS69706	.	.	ST309-0912	ST327-2707	.	.	.	.
TS69743	.	TS65027U	ST392-9045	ST320-2091	42550 W/455024	370106A W/AR12	M760400	.
TS69780	.	.	ST392-9019	ST320-2009	48792	370057A	M786400	.
TS69781	.	TS65030U	ST392-9089	ST320-2097	52658	370069A	M791400	.
TS69782	.	.	ST392-9062	ST320-2001	48884	370121A	M769400	.
TS69785	.	TS65111U	ST392-9035	ST320-2057	34386	370047A	.	.
TS69785	.	TS65111U	ST309-0935	ST327-2728	34387	.	.	.
TS69787	.	.	ST392-9057	ST320-2104	39425	370009A	M788400	.
TS69788	TS70788	TS65071U	ST392-9112	ST320-2213	42672	370031A	M789400	852
TS69788	TS70788	TS65071U	ST309-0904	ST327-2718	.	.	.	.
TS69789	TS70789	TS65283U	ST392-9087	ST320-2162	47699	370006A	M790400	.
TS69789	TS70789	TS65283U	ST309-0970	ST327-2716	.	.	.	.
TS69791	TS70791	TS65172U	ST392-9064	ST320-2113	45158	370021A	M772400	858
TS69791	TS70791	TS65172U	ST392-9088	ST320-2113	45160	.	.	.
TS69791	TS70791	TS65172U	ST309-0964	ST327-2712	.	.	.	.
TS69794	.	TS65152U	ST392-9099	ST320-2102	38779	370023A	M770400	849
TS69794	.	TS65152U	ST309-0912	ST327-2707	38780	.	.	.
TS69794	.	TS65024U	ST392-9099	ST320-2102	38750	370024A	M777400	848
TS69794	.	TS65024U	ST309-0915	ST327-2715	.	.	.	.
TS69795	.	.	ST392-9095	ST320-2117	42800	370030A	M762400	.
TS69796	.	.	ST309-0961	ST327-2719	.	.	.	.
TS69796	TS70796	TS65270U	ST392-9003	ST320-2129	45097	370022A	M785400	856
TS69796	TS70796	TS65270U	ST392-9094	ST320-2129	45099	.	.	.
TS69796	TS70796	TS65270U	ST309-0903	ST327-2706	.	.	.	.
TS69797	.	TS65184U	ST392-9096	ST320-2114	43860	370019A	M771400	854
TS69797	.	TS65184U	ST309-0965	ST327-2713	43865	.	M782400	.
TS69798	TS70798	TS65065U	ST392-9060	ST320-2115	48000	370005A	M763400	860
TS69798	TS70798	TS65065U	ST392-9097	ST320-2115	48001	.	.	.
TS69798	TS70798	TS65065U	ST309-0960	ST327-2717	.	.	.	.
TS69799	TS70799	TS65056U	ST392-9073	ST320-2106	47695	370003A	M761400	861
TS69799	TS70799	TS65056U	ST392-9098	ST320-2106	47697	380003A	.	.
TS69799	TS70799	TS65056U	ST309-0973	ST327-2703	.	.	.	.

## HUBODOMETERS



### VEEDER-ROOT HUBODOMETERS

Stoughton Number	Stoughton Number
V777717-475	V777717-525
V777717-484	V777717-546
V777717-490	V777717-572
V777717-494	V777717-588
V777717-500	V777717-600
V777717-510	V777717-612
V777717-514	V777717-624
V777717-520	V777717-637

### STEMCO HUBODOMETERS

Stoughton Number	Stoughton Number
ST650-0587	ST650-0610
ST650-0593	ST650-0613
ST650-0598	ST650-0626
ST650-0601	ST650-0627
ST650-0605	ST650-0687
ST650-0608	

### VEEDER-ROOT HUBODOMETER MOUNTING BRACKETS

Stoughton Number
V325614-012
V325614-101
V325614-107
V325614-108

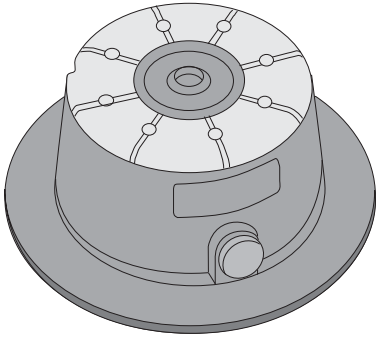
### STEMCO HUBODOMETER MOUNTING BRACKETS

Stoughton Number
ST610-0003
ST610-0006
ST610-0007
ST610-0065
ST610-0084
ST640-0001
ST640-0003

For correct Hubodometer application,  
call with:

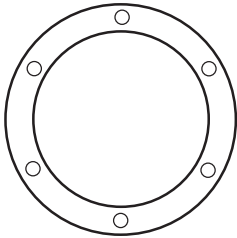
- Tire
- Size
  - Make
  - Model

- Hubcap
- Make
  - Model



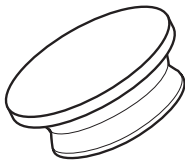
### HUBCAPS

Stoughton Number	Vendor	Description
<b>DDD-5/6H</b> <b>DDD-5/6P</b> <b>DDD-6G</b> <b>DDD-6H</b> <b>DDD-6P</b> <b>DDD-P</b> <b>DDD-7.5G</b>	Dual Dynamics	5, 6 Hole Hubo Mount 5, 6 Hole with Plug 6 Hole Grease Cap 6 Hole Hubo Mount 6 Hole with Plug Propar 6 Hole Grease 6 1/2" Bolt Circle
<b>ST340-4009</b> <b>ST340-4013</b> <b>ST340-4019</b> <b>ST340-4024</b> <b>ST340-4034</b> <b>ST340-4042</b> <b>ST340-4066</b> <b>ST340-4075</b> <b>ST340-4095</b> <b>ST340-4186</b> <b>ST340-4195</b> <b>ST340-4249</b> <b>ST342-4009</b>	Stemco	6 Hole 5 1/2" Bolt Circle 5 Hole 5 1/2" Bolt Circle 3 Hole 5 1/4" Bolt Circle 6 Hole 4 1/2" Bolt Circle 6 Hole 6 5/8" Bolt Circle 6 Hole 5 1/8" Bolt Circle 6 Hole 5 1/8" Bolt Circle Propar 6 1/4"-8 Threads 6 Hole 5 1/2" Bolt Circle 4 Hole 5" Bolt Circle 6 Hole 6 3/4" Bolt Circle 6 Hole 5 1/2" Bolt Circle Grease Cap



### HUBCAP GASKETS

Stoughton Number	Vendor	Description
<b>DDD-5/6HG</b> <b>ST330-3009</b>	Dual Dynamics Stemco	5, 6 Hole 6 Hole



### RUBBER HUBCAP PLUGS

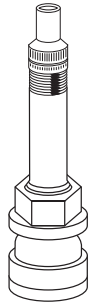
Stoughton Number	Vendor
<b>DDD-HP</b> <b>ST359-5990</b>	Dual Dynamics Stemco

### KENDALL "EBL" SEMI-FLUID GREASE

Stoughton Number	Kendall Number	Remarks
<b>04 86131 000 00</b>	<b>K78971661</b>	5 Gallon Pail (35 lbs)*

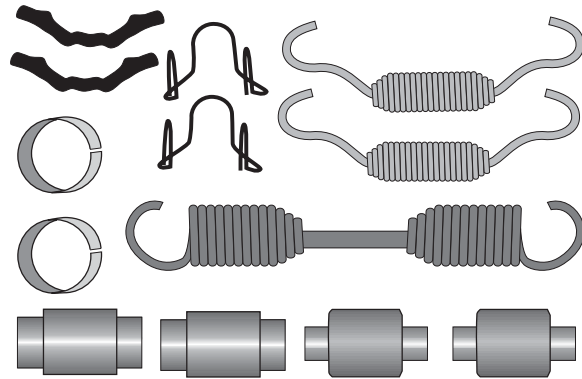
\* Requires 1 1/2 lbs per hub

## MISCELLANEOUS PARTS



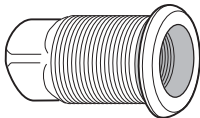
**VALVE STEM**

<b>Stoughton Number</b>
<b>ACTR-573</b>



**BRAKE KIT**

<b>Stoughton Number</b>
<b>SIQK-1HD</b>



**INNER CAP NUT**

Stoughton Number	Dimensions
<b>BD10708</b>	3/4 + 1 1/8"-16 x 2 1/8"
<b>BD10709</b>	



**OUTER CAP NUTS**

Stoughton Number	Dimensions
<b>BD37891</b>	1 1/8"-16
<b>BD37892</b>	1 1/8"-16



**WHEEL STUDS**

Stoughton Number	Description
<b>BD106201</b>	Right-Hand Ball 'n' Seat – Budd Metric
<b>BD106202</b>	Left-Hand Ball 'n' Seat – Budd Metric
<b>BD106216</b>	Uni-mount – Budd Metric
<b>BD106397</b>	Uni-mount – DBL Aluminum Wheels
<b>HA3018501</b>	Stud Aluminum Wheel – Hayes
<b>HA3018503</b>	Stud Standard Unimount– Hayes
<b>WB101160</b>	Uni-mount – Aluminum Wheels
<b>WB101162</b>	Uni-mount
<b>WB101172</b>	Right-Hand Ball 'n' Seat for 2023 Hub
<b>WB101173</b>	Left-Hand Ball 'n' Seat for 2023 Hub
<b>WB159183</b>	Left-Hand Ball 'n' Seat for 1020 Hub
<b>WB159184</b>	Right-Hand Ball 'n' Seat for 1020 Hub