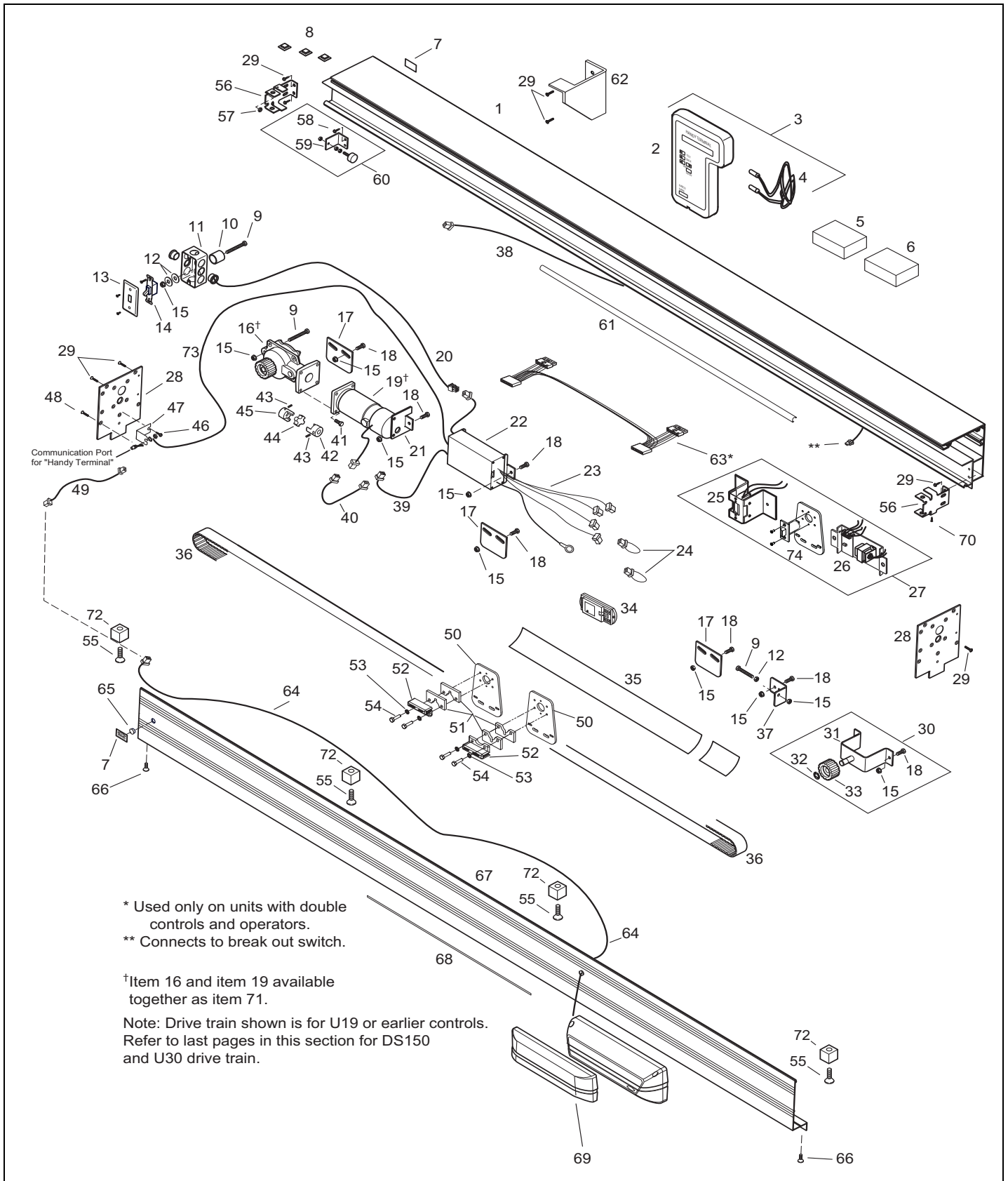


Section E1
1175 Fixed Sidelight All Glass

Header Showing U04 to U19 Drive Train.....	3-5
Door Panels.....	6-11
DS150 and U30 Drive Train.....	12-13

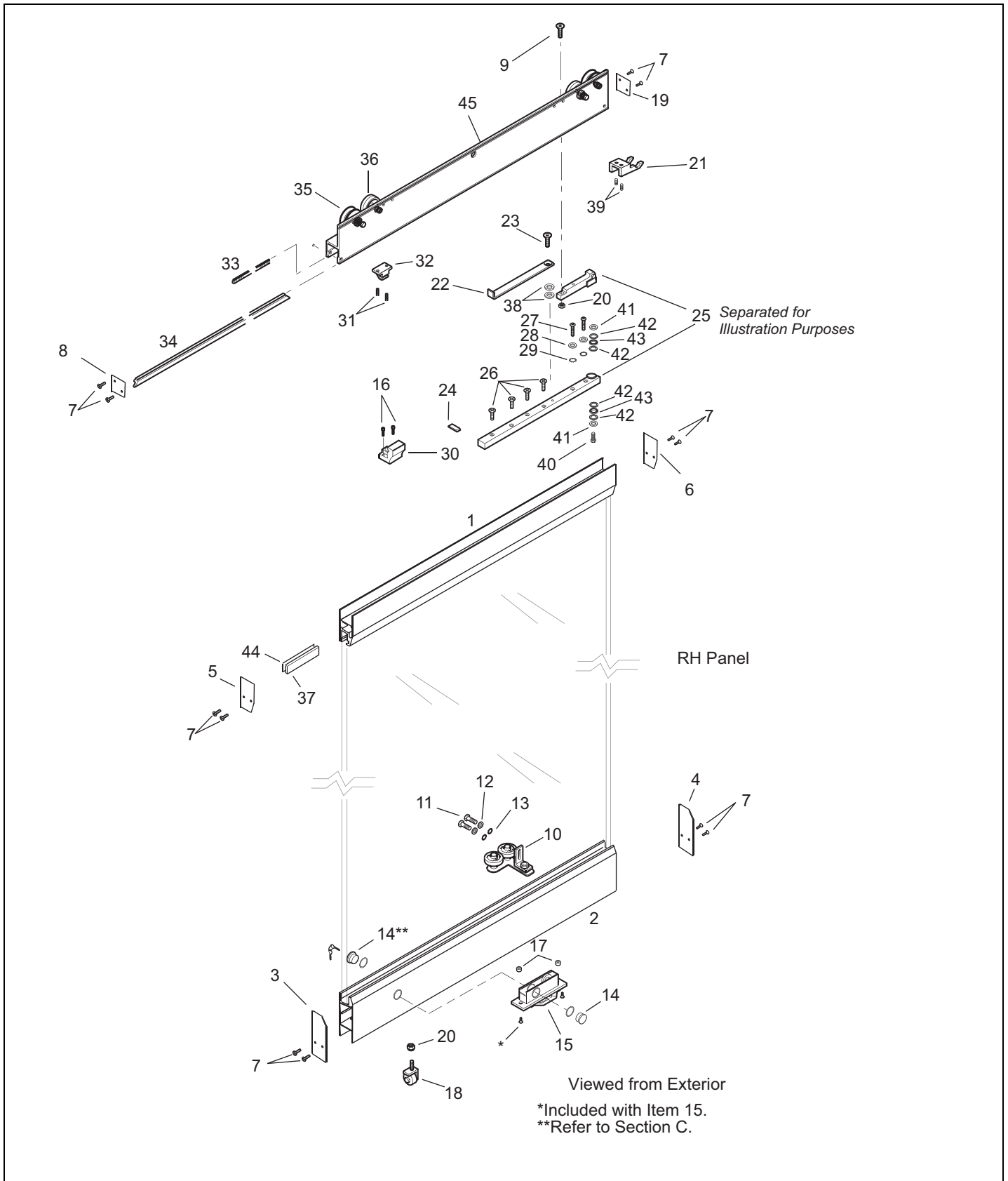
This Page Intentionally Left Blank



Item	Part	Select Finish	Description
1	Header	*	Contact NABCO - See Note Below
2	14-8903-R		REBUILT HANDY TERMINAL ASSY
3	14-8903		HANDY TERMINAL ASSY
4	14-8903-99		CABLE, HANDY TERMINAL
5	21-9251		PARTS BOX 1175 FO NH
6	21-9252		PARTS BOX 1175 POCKETED NH
7	14-9199		NAMEPLATE, ADHESIVE BACKED
8	24-9442		TIE MOUNTS ADHESIVE BACKED
9	24-0014-28		SCREW, HEX HD CAP 3/8-16 X 2 3/4"
10	14-9898		SPACER, BAR - ELEC 1175
11	11-9253-01		JUNCTION BOX & BUSHING ASSY, SLIDER
12	24-0017-02		WASHER, 7/16 ID X 1 OD X .083 THK
13	14-9134		COVER, UTILITY BOX
14	14-9120		SWITCH, TOGGLE POWER, UTILITY
15	24-0021-21		NUT, WHIZLOCK, 3/8-16, ZINC
16	21-9530		1175 OPERATOR ASSY W/O MOTOR
17	14-9023		TRACK, WEDGE SECURING
18	24-0014-27		SCREW - HEX HD CAP 3/8-16 X 3/4
19	21-9206		MOTOR, SHORT FRAME WITH ENCODER
20	11-10110		POWER HARNESS, MICROPROCESSOR
21	24-9031		BRACKET, MOTOR SUPPORT
22	24-8901-19		CONTROLLER MICROPROCESSOR - U19
23	21-9437		WIRING ASSY, MICROPROCESSOR
24	12-10324		BREAKOUT JUMPER
25	22-10522-01		FAIL SECURE ELECTRIC STRIKE SUB-ASSY
	22-10522-02		FAIL SAFE ELECTRIC STRIKE SUB-ASSY
26	22-10520-01		TRANSFORMER & RELAY ASSY FAIL SECURE
	22-10520-02		TRANSFORMER & RELAY ASSY FAIL SAFE
27	21-11658-03		VON DUPRIN FAIL SECURE ELEC LOCK KIT U19
	21-11658-04		VON DUPRIN FAIL SAFE ELEC LOCK KIT U19
28	24-13282		#N/A
29	24-0014-30		SCREW - HEX HD CAP #14 X 3/4 SELF DR TP
30	22-9210		IDLER ASSY
31	22-9026		WELDMENT, IDLER - 1175
32	24-0431		RING, RETAINING
33	11-11701		IDLER PULLEY ASSEMBLY
34	14-9710-04		(1-SET) OPTEX BEAM WITH EXTENSION CABLE
	14-9710-03		OPTEX CONTROL BOX ONLY OS-12C
	14-9710-01		(1-SET) OPTEX BEAM & CNTRL
35	14-9115-01		SHT WIRE CVRNG-2-3/4" FORMEX GK-30
	14-9115-02		SHEET - WIRE COVERING 2-7/8

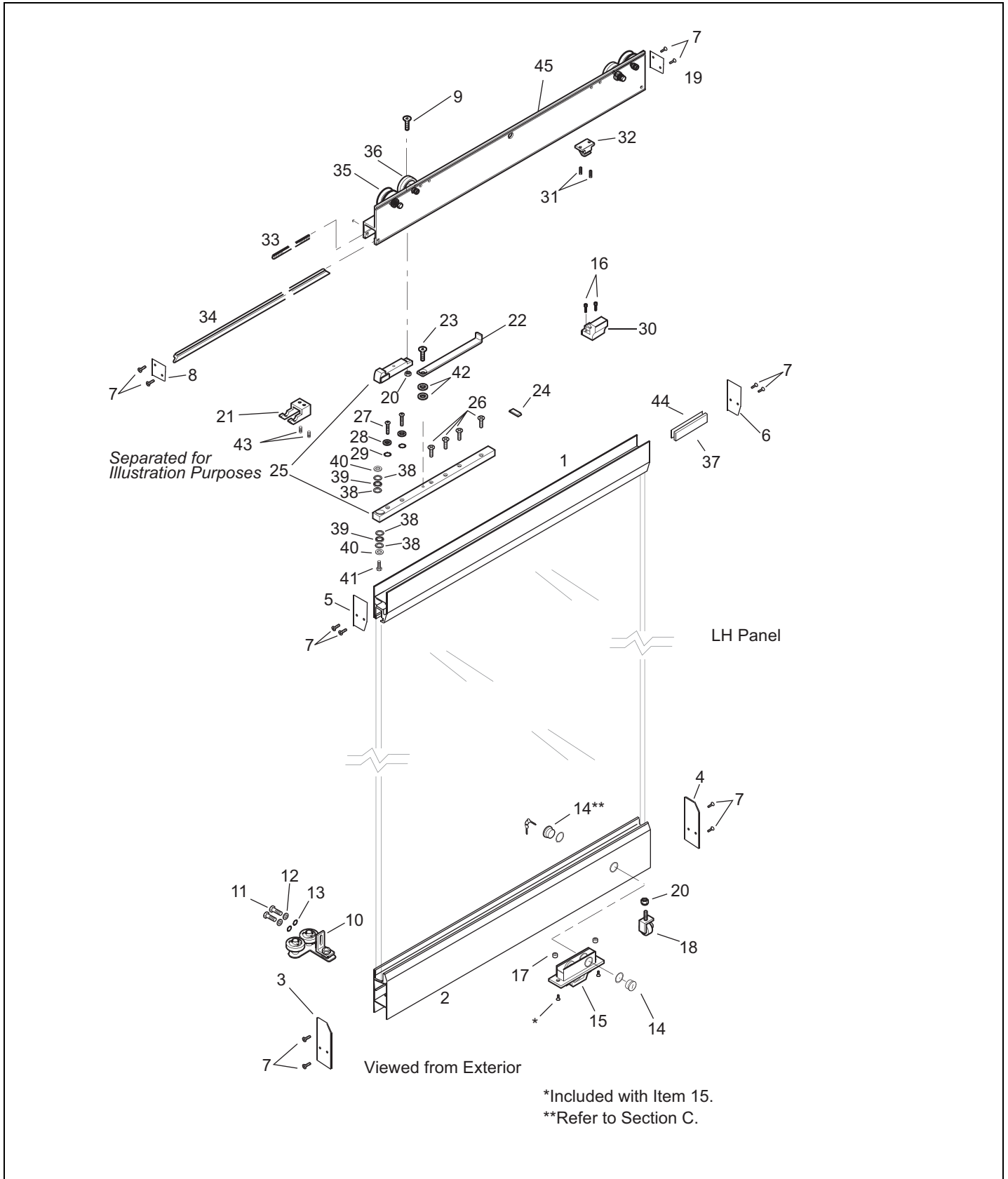
Note: Machining may vary depending on an age of the product. Have the original order number available when contacting NABCO if possible.

Item	Part	Select Finish	Description
36	14-0795		TIMING BELT 1/2" PITCH X 3/4" WIDE
37	24-9027		IDLER TENSIONER BRKT (Assy is P/N 215990
38	22-9220-01		BREAK OUT SWITCH HARNESS EXTENSION 90IN
	22-9220-02		BREAK OUT SWITCH HARNESS EXTENSION 35IN
39	21-9808		MOTOR HARNESS, MICROPROCESSOR
40	11-9208		HARNESS, HANDING MICROPROCESSOR
41	24-0010-01		SCREW - SOCKET HEAD CAP 10-24 X 7/8CAD
42	24-0062		COUPLING, SGL PART
43	24-0016-02		SCREW, SET 1/4-20 X 5/16, KNURL POINT
44	24-5188		COUPLING, SPYDER
45	14-1290		COUPLING, DRIVE 10MM BORE
46	24-0014-02		SCREW - HEX HD CAP 1/4-20 X 3/4
47	14-9038		BRACKET, CONNECTOR - HANDY TERMINAL
48	24-4941-14		SCREW, PH FL HD #8-32 X 5/8" TYPE F
49	22-9267-01		ACUSENSOR EXT HARNESS 48IN
	22-9267-02		ACUSENSOR EXT HARNESS 24IN
50	14-11871		BRACKET, BELT,1175
51	14-11870		SPACER, BELT CLIP, 1175
52	24-11493		CLIP, BELT
53	24-0019-05		WASHER, LOCK, 1/4", EXTERNAL TOOTH
54	24-0014-02		SCREW - HEX HD CAP 1/4-20 X 3/4
55	24-0010-05		SCREW - SOCKET HEAD CAP 1/4-20 X 1/2
56	24-9022		BRACKET, END CAP - LOWER
57	24-0021-27		SQUARE NUT 1/4"-20
58	24-0014-30		SCREW - HEX HD CAP #14 X 3/4 SELF DR TP
59	14-9078		BRACKET, DOOR STOP
60	14-9079		DOOR STOP ASSY, TRACK MOUNTED - 1175
	12-8233		DOOR STOP ASSY JAMB MOUNTED-SPECIAL
	14-10073		ICU DOOR STOP ASSY (GAP 2.125 TO 3.25)
61	OBSOLETE		TRACK COVER, CAP FOR ROLLER - 9' LONG
62	24-13741		BRACKET, HEADER COVER, 1175
63	21-5901		HARNESS, EXTRA HEAVY SLIDER, MICROPRESOR
64	22-9184-01		ACUSENSOR HARNESS KIT
65	14-9911		PLUG, HOLE, 3/4" DIA. HANDI TERMINAL
66	24-4941-14		SCREW, PH FL HD #8-32 X 5/8" TYPE F
67	Cover		Contact NABCO - See Note Below
68	14-2279-05		PILE WEATHERING, BLK - ADHESIVE BACKED
69	OBSOLETE		ACUSENSOR 1A ASSY (Parts Orders ONLY)
	OBSOLETE		ACUMOTION W/MANUAL
70	24-0011-13		SCREW - PHILLIPS HD MACH 1/4-20 X 3/4
71	21-9528		1175 OPERATOR ASSY W/ENCODER MOTO
72	14-11420		BRACKET, MOUNTING
73	14-8903-98		CABLE, HANDY TERMINAL to MC (U19)



Item	Part	Select Finish	Description
1	Top Rail		Contact NABCO - See Note Below
2	Bottom Rail		Contact NABCO - See Note Below
3	14-11400-20		END CAP, BOTTOM RAIL -RH DOOR STRIKE END
4	14-11400-10		END CAP, BOTTOM RAIL - RH DOOR PIVOT END
5	14-5867-10		CAP, RIGHT HAND DOOR - RIGHT HAND
6	14-5867-20		CAP, RIGHT HAND DOOR - LEFT HAND
7	24-0011-31		SCREW, #8-32 X 3/8, FLAT HEAD, PHILLIPS
8	14-5870-20		CAP, CARRIER - LEFT HAND
9	24-0011-33		SCREW, FLAT HD MACHINE 3/8-16 X 2
10	21-9046-10		BOTTOM GUIDE DBL ROLLER ASSY - RH
11	24-0014-02		SCREW - HEX HD CAP 1/4-20 X 3/4
12	24-0019-05		WASHER, LOCK, 1/4", EXTERNAL TOOTH
13	24-0018-05		WASHER, .255 ID X .489 OD X .062 THK
14	11-10239-0X		KEY TURN CYLINDER - MACHINED, CLEAR
15	14-5697		LOCK ASSY, BOTTOM RAIL - ALL GLASS
16	24-0010-16		SCREW - SOCKET HEAD CAP 1/4-20 X 1 1/4
17	14-11433		SPACER, LOCK MOUNT ALL GLASS
18	11-5984		CASTER, NOSE ASSEMBLY - ALL GLASS
19	14-5870-10		CAP, CARRIER - RIGHT HAND
20	24-0021-21		NUT, WHIZLOCK, 3/8-16, ZINC
21	14-5852		CRADLE, PIVOT - ALL GLASS
22	21-8396		LIMIT ARM ASSY, STD STILES-1100 1175 WS
23	22-3590-04		SCREW - SOCKET FL HD W-VIBR 7/16-14 X 1
24	14-10106		SPACER, LIMIT ARM - ALL GLASS
25	21-5855		PIVOT, ASSY. - ALL GLASS
26	24-0011-16		SCREW -PHLLPS HD MACH 1/4-20 X 1 1/2 UND
27	24-0014-12		SCREW, HEX HD CAP 1/4-20 X 1 3/4"
28	24-0017-04		WASHER, 1/4 ID X 9/16 OD X .049 THK, STL
29	24-0019-05		WASHER, LOCK, 1/4", EXTERNAL TOOTH
30	21-3468		PANIC CATCH RELEASE ASSY
31	24-0016-30		SCREW, SET 5/16-18 X 1 1/4, CUP POINT
32	24-9483		MOUNTING BLOCK, PANIC CATCH - MACHINED
33	14-2279-04		PILE WEATHERING, BLK - FOR CARRIER, SHOR
34	24-9094-0X		INTERFACE LEG, CUT LENGTH 3.06' - 204
35	11-10733		HANGER ROLLER W/URETHANE ASSY, GT1175
36	11-9037		ANTI-RISE ROLLER ASSY, GT1175
37	14-8413-02		FLEXIBLE MAGNETIC STRIP
38	24-0017-02		WASHER, 7/16 ID X 1 OD X .083 THK
39	24-0016-04		SCREW, SET 1/4-20 X 1/2, KNURL POINT
40	24-0014-36		SCREW, HEX HD 3/4-16 X 2 1/4" GRADE 5
41	14-5996		SPACER, PIVOT - ALL GLASS
42	14-5865-02		WASHER, THRUST - .787 BORE
43	14-5865-01		BEARING, THRUST - .787 BORE
44	24-9512		BACKING,STEEL-MAGNET MATER
45	Carrier		Contact NABCO - See Note Below

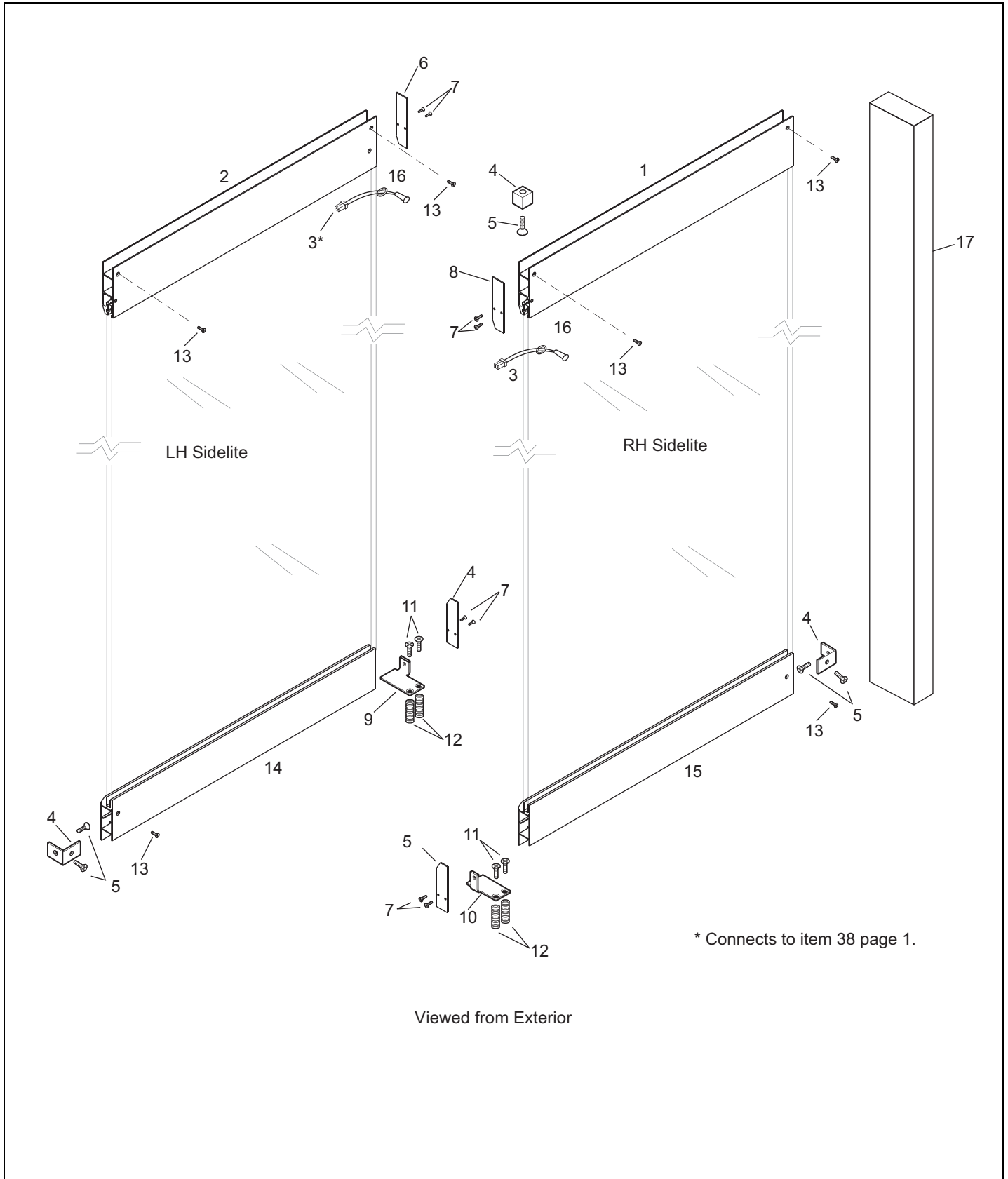
Note: Machining may vary depending on an age of the product. Have the original order number available when contacting NABCO if possible.



*Included with Item 15.
**Refer to Section C.

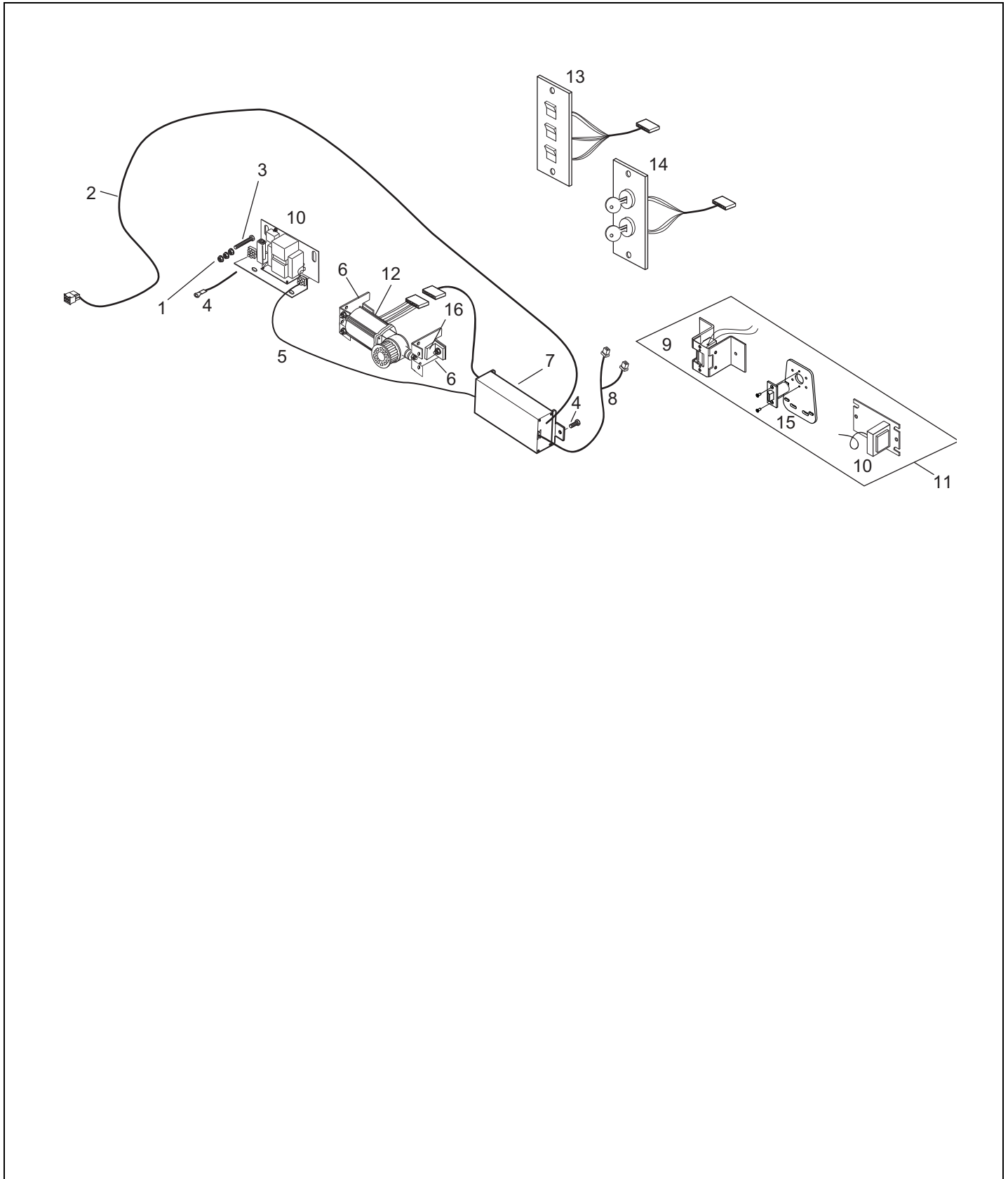
Item	Part	Select Finish	Description
1	Top Rail		Contact NABCO - See Note Below
2	Bottom Rail		Contact NABCO - See Note Below
3	14-11400-40		END CAP, BOTTOM RAIL -LH DOOR STRIKE END
4	14-11400-30		END CAP, BOTTOM RAIL -LH DOOR PIVOT END
5	14-5867-40		CAP, LEFT HAND DOOR - LEFT HAND
6	14-5867-30		CAP, LEFT HAND DOOR - RIGHT HAND
7	24-0011-31		SCREW, #8-32 X 3/8, FLAT HEAD, PHILLIPS
8	14-5870-10		CAP, CARRIER - RIGHT HAND
9	24-0011-33		SCREW, FLAT HD MACHINE 3/8-16 X 2
10	21-9046-20		BOTTOM GUIDE DBL ROLLER ASSY - LH
11	24-0014-02		SCREW - HEX HD CAP 1/4-20 X 3/4
12	24-0018-05		WASHER, .255 ID X .489 OD X.062 THK
13	24-0019-05		WASHER, LOCK, 1/4", EXTERNAL TOOTH
14	11-10239-0X		KEY TURN CYLINDER - MACHINED, CLEAR
15	14-5697		LOCK ASSY, BOTTOM RAIL - ALL GLASS
16	24-0010-16		SCREW - SOCKET HEAD CAP 1/4-20 X 1 1/4
17	14-11433		SPACER, LOCK MOUNT ALL GLASS
18	11-5984		CASTER, NOSE ASSEMBLY - ALL GLASS
19	14-5870-20		CAP, CARRIER - LEFT HAND
20	24-0021-21		NUT, WHIZLOCK, 3/8-16, ZINC
21	14-5852		CRADLE, PIVOT - ALL GLASS
22	21-8396		LIMIT ARM ASSY, STD STILES-1100 1175 WS
23	22-3590-04		SCREW - SOCKET FL HD W-VIBR 7/16-14 X 1
24	14-10106		SPACER, LIMIT ARM - ALL GLASS
25	21-5855		PIVOT, ASSY. - ALL GLASS
26	24-0011-16		SCREW -PHILLPS HD MACH 1/4-20 X 1 1/2 UND
27	24-0014-12		SCREW, HEX HD CAP 1/4-20 X 1 3/4"
28	24-0017-04		WASHER, 1/4 ID X 9/16 OD X .049 THK, STL
29	24-0019-05		WASHER, LOCK, 1/4", EXTERNAL TOOTH
30	21-3468-99		PANIC CATCH RELEASE ASSY, MODEL 1100
31	24-0016-30		SCREW, SET 5/16-18 X 1 1/4, CUP POINT
32	24-9483		MOUNTING BLOCK, PANIC CATCH - MACHINED
33	14-2279-04		PILE WEATHERING, BLK - FOR CARRIER, SHOR
34	24-9094-0X		INTERFACE LEG, CUT LENGTH 3.06' - 204
35	11-10733		HANGER ROLLER W/URETHANE ASSY, GT1175
36	11-9037		ANTI-RISE ROLLER ASSY, GT1175
37	14-8413-02		FLEXIBLE MAGNETIC STRIP
38	14-5865-02		WASHER, THRUST - .787 BORE
39	14-5865-01		BEARING, THRUST - .787 BORE
40	14-5996		SPACER, PIVOT - ALL GLASS
41	24-0014-36		SCREW, HEX HD 3/4-16 X 2 1/4" GRADE 5
42	24-0017-02		WASHER, 7/16 ID X 1 OD X .083 THK
43	24-0016-04		SCREW, SET 1/4-20 X 1/2, KNURL POINT
44	24-9512		BACKING,STEEL-MAGNET MATER
45	Carrier		Contact NABCO - See Note Below

Note: Machining may vary depending on an age of the product. Have the original order number available when contacting NABCO if possible.



Item	Part	Select Finish	Description
1	Top Rail		Contact NABCO - See Note Below
2	Top Rail		Contact NABCO - See Note Below
3	14-12158		BREAK OUT SWITCH WIDE GAP - F/S
4	14-11401-20		END CAP, BOTTOM RAIL - LH SIDELITE
5	14-11401-10		END CAP, BOTTOM RAIL - RH SIDELITE
6	14-5868-10		CAP, SIDELITE - TOP RAIL, RIGHT HAND
7	24-0011-31		SCREW, #8-32 X 3/8, FLAT HEAD, PHILLIPS
8	14-5868-20		CAP, SIDELITE - TOP RAIL, LEFT HAND
9	21-9985		BRACKET, WELDMENT - LEFT HAND, FS
10	21-9984		BRACKET, WELDMENT - RIGHT HAND, FS
11	24-0031-20		SCREW, PHPS FLAT HD, #14 X 2" TYPE A
12	14-1018		ANCHOR - FLUTED PLASTIC #14 X 1 BLUE
13	24-0011-12		SCREW - PHILLIPS HD MACH 1/4-20 X 1/2
	24-0011-96		SCREW - PHILLIPS HD MACH 1/4-20 X 3/4
14	Bottom Rail		Contact NABCO - See Note Below
15	Bottom Rail		Contact NABCO - See Note Below
16	24-1193-20		GROOVELESS RETAINING RING 3/8 SHAFT
17	Jamb Tube		Contact NABCO - See Note Below

Note: Machining may vary depending on an age of the product. Have the original order number available when contacting NABCO if possible.



Item	Part	Select Finish	Description
1	24-0021-21		NUT, WHIZLOCK, 3/8-16, ZINC
2	14-11837		EXTENSION HARNESS, HANDY TERMINAL U-30
3	24-0014-06		SCREW, HEX HD CAP 3/8-16 X 1 1/2"
4	14-11872		GROUND WIRE, DS150
5	14-11874		POWER HARNESS DS150
6	24-11329		BRACKET, MOTOR SUPPORT - 1175 DS150
7	24-8901-30		CONTROLLER MICROPROCESSOR - U30
8	24-11877		MAIN HARNESS, U30 CONTROL
9	22-10522-03		VON DUPRIN FAIL SEC ELE STRIKE SUB ASSY
	22-10522-04		VON DUPRIN FAIL SAFE ELE STRIKE SUB ASSY
10	14-11741		POWER SUPPLY, DS-150NA/U30
11	21-10471-03		VON DUPRIN FAIL SECURE ELEC LOCK KIT U30
	21-10471-04		VON DUPRIN FAIL SAFE ELEC LOCK KIT U30
	14-10905-10		INSTALLATION KIT - MAG LOCK - 1175 SGL
	14-10905-20		INSTALLATION KIT - MAG LOCK - 1175 BI
12	24-11327		OPERATOR - DS-150 NA
13	14-11875-03		SWITCH - ROCKER - U30, NABCO
14	14-11876		SWITCH - KEY - U30
15	14-12104		OBSOLETE - SEE 14-12104-10 OR -20
16	14-12094		MOUNTING BRACKET, STIFFENER DS150