



PGB SERIES 10 SEER

Self-Contained Gas/Electric Packaged Air Conditioner

2 and 5 Ton

Cooling Capacity: 23,600 to 58,000 BTUH
Heating Input Rates: 46,000 to 140,000 BTUH



The PGB outdoor package unit is a self-contained heating and cooling unit that allows for ground or rooftop installation and side-by-side or downflow applications.



Standard Features

- Two-speed evaporator blower motor
- Copper tube, aluminum fin coils
- Quiet operating top condenser discharge grille
- Totally enclosed, permanently lubricated condenser fan motor
- Hermetically sealed compressor with internal relief valve
- Fully charged R-22 system
- High-efficiency performance
- Liquid line filter drier
- Power-assisted combustion requiring no vent cap
- Aluminized steel heat exchanger cells
- Watershed base
- All models meet Calif. NOX emissions standards
- Hot surface pilot ignition system
- High-efficiency copper tube/aluminum fin coil

Cabinet Construction

- Powder-paint finish with 500-hour salt spray approval
- Fully insulated with blankets of fiberglass
- Convenient access panels
- Bottom handling rails
- When properly anchored, meets the 2001 Florida Building Code unit integrity requirements for hurricane-type winds

Accessories

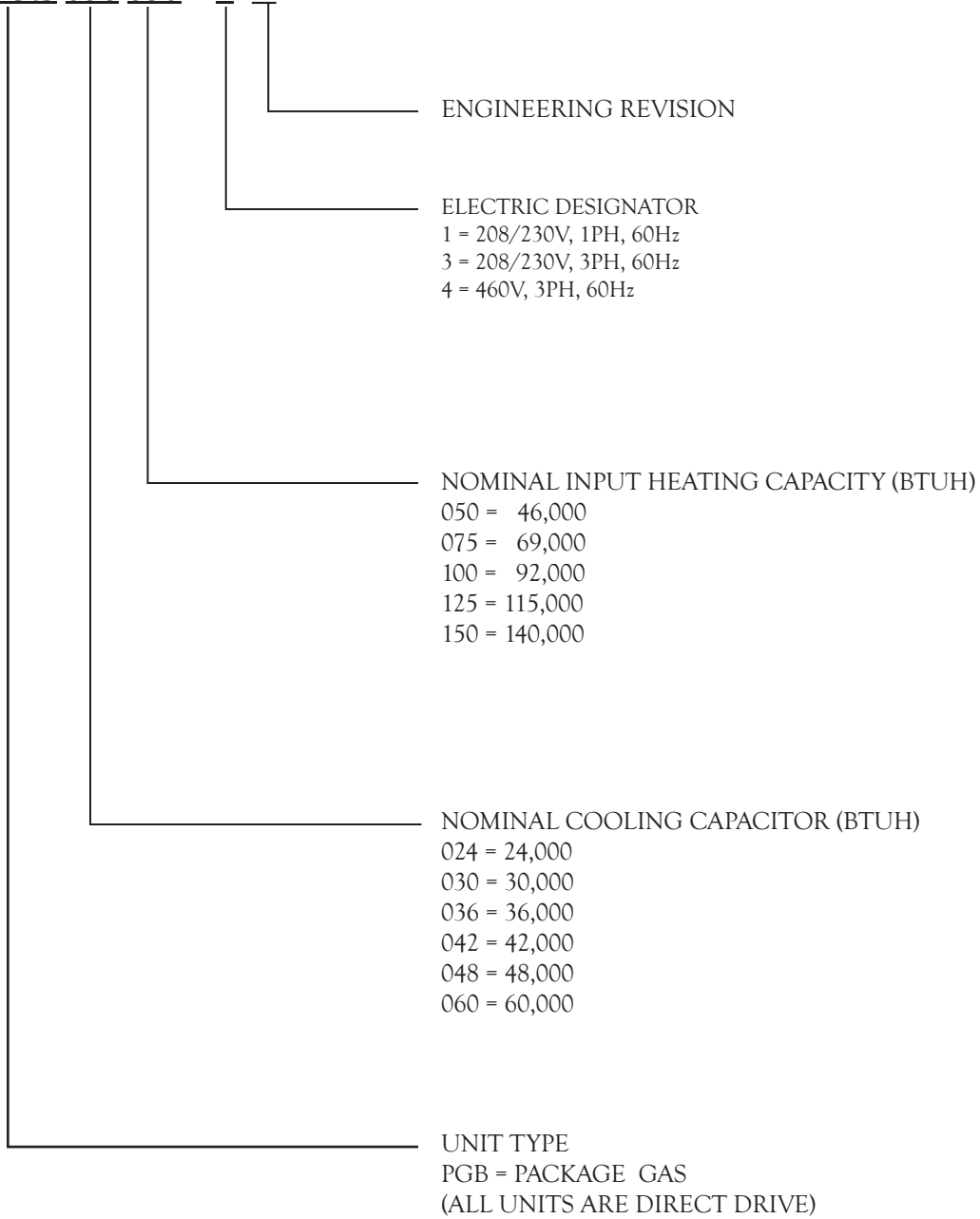
- L.P. Gas Conversion Kits
- Room thermostat
- High- and Low-pressure Switch Kits
- Concentric converter
- Economizer (horizontal and vertical)
- Manual fresh air damper (0-25%)
- Motorized fresh air damper (0-25%)
- Rectangular to round converter
- Downflow filter rack
- Low Ambient Kit
- Roof curb



PRODUCT SPECIFICATIONS

Model Identification

PGB 036 050 - 1 A



PRODUCT SPECIFICATIONS

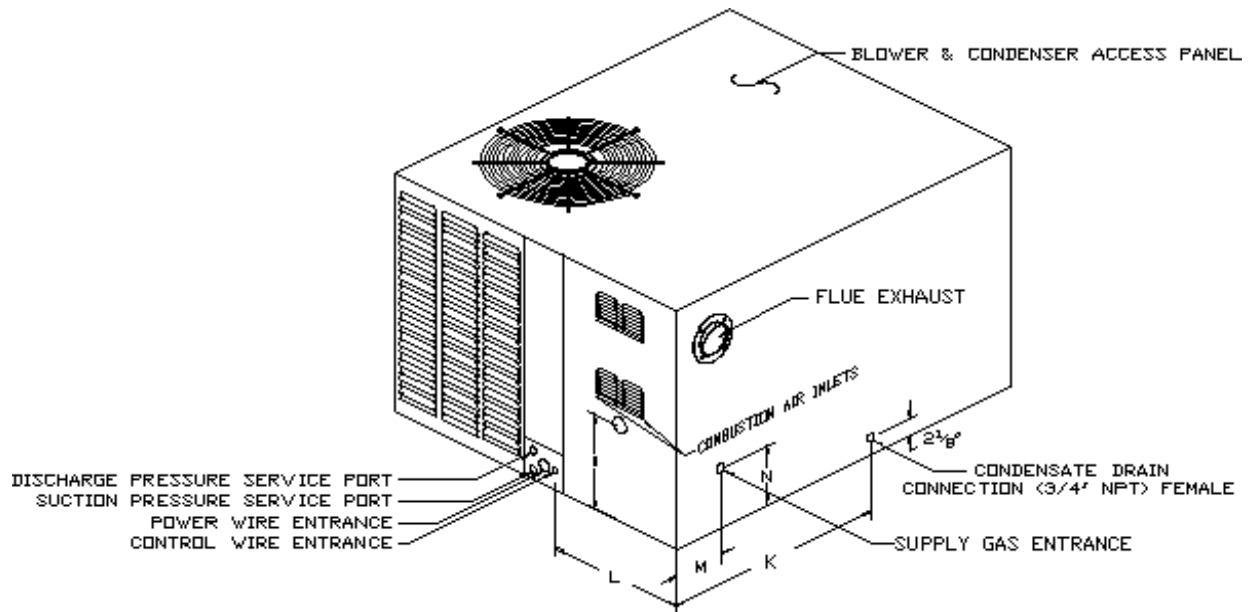


Figure 1

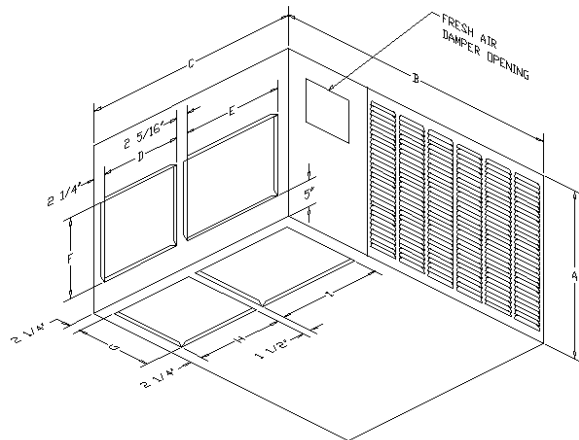


Figure 2

Accessory Model Numbers

ALL PGB MODELS	MODEL NUMBERS
LP Conversion Kit Honeywell HSP	LPM-01
Room Thermostat	CHT18-60
High & Low Pressure Switch Kit	HLPK-01
Low Ambient Kit	LA-01

DIMENSIONS (INCHES)	CHASSIS #1	CHASSIS #2	CHASSIS #3
	PGB024050 PGB024075 PGB030050 PGB030075 PGB036050 PGB036075	PGB030100 PGB036100 PGB042075 PGB042100	PGB042125 PGB048075 PGB048100 PGB048125 PGB048150 PGB060100 PGB060125 PGB060150
A	31 $\frac{1}{8}$	31 $\frac{1}{8}$	33 $\frac{3}{8}$
B	52	52	55 $\frac{3}{8}$
C	38 $\frac{3}{4}$	43 $\frac{3}{4}$	58 $\frac{1}{8}$
D	13 $\frac{3}{8}$	16 $\frac{3}{8}$	24 $\frac{5}{8}$
E	18 $\frac{3}{8}$	20 $\frac{3}{8}$	26 $\frac{5}{8}$
F	15	15	17
G	15 $\frac{1}{4}$	15 $\frac{1}{4}$	17 $\frac{1}{4}$
H	13 $\frac{3}{4}$	16 $\frac{3}{4}$	25
I	18 $\frac{3}{4}$	20 $\frac{3}{4}$	27
K	30	30	32 $\frac{1}{2}$
L	16 $\frac{3}{8}$	18 $\frac{3}{8}$	27 $\frac{3}{4}$
M	7	7	7 $\frac{1}{4}$
N	7 $\frac{7}{8}$	7 $\frac{7}{8}$	10 $\frac{1}{8}$
O	12 $\frac{3}{8}$	12 $\frac{3}{8}$	14 $\frac{7}{8}$

PRODUCT SPECIFICATIONS

Specifications

	PGB024050-1A	PGB024075-1A	PGB030050-1B	PGB030075-1B	PGB030100-1B	PGB036050-1B
Total Cooling - BTUH	23,600	23,600	28,200	28,200	30,000	34,200
Sens. Cooling - BTUH	17,600	17,600	21,200	21,200	22,500	24,600
Cooling CFM Nominal	900	900	1,050	1,050	1,050	1,200
SEER (2)	10.0	10.0	10.0	10.0	10.0	10.0
EER_a (3)	-	-	-	-	-	-
Sound Rating (2)	8.2	8.2	8.2	8.2	8.2	8.2
Heating Input	46,000	69,000	46,000	69,000	92,000	46,000
Heating Capacity	37,700	56,600	37,700	56,600	75,400	37,700
Output Capacity	-	-	-	-	-	-
AFUE (1)	80.0	80.0	80.0	80.0	80.0	80.0
Outdoor S. S. Eff.	-	-	-	-	-	-
California SEER	74.8	76.4	74.8	76.0	76.5	74.8
Temp. Rise Range	30-60	50-80	25-55	40-70	55-85	20-50
Indoor Blower						
Type	DD	DD	DD	DD	DD	DD
Size - D x W	9 x 6	9 x 6	9 x 6	9 x 6	10 x 6	10 x 6
Motor Horsepower.	1/5	1/5	1/3	1/3	1/3	1/3
Evaporator Coil						
Face (ft ²)	2.41	2.41	2.41	2.41	2.86	2.41
Fin / In	14	14	14	14	14	14
No. of Rows	3	3	3	3	3	4
Outdoor Fan						
Fan Dia. (in.)	18	18	18	18	20	18
Motor H.P.	1/6	1/6	1/6	1/6	1/6	1/6
Condenser Coil						
Face Area (ft ²)	10.05	10.05	10.05	10.05	11.30	10.05
Fin / In.	19	19	19	19	19	19
No. of Rows	1	1	1	1	1	1
Electrical						
Ph	1	1	1	1	1	1
Volts	208/230	208/230	208/230	208/230	208/230	208/230
Compr. RLA	9.8	9.8	13.7	13.7	13.7	14.9
Compr. LRA	56.0	56.0	75.0	75.0	75.0	96.0
Indoor Blw FLA.	1.7	1.7	2.6	2.6	2.6	2.6
Outdoor Blw FLA.	1.1	1.1	1.1	1.1	1.1	1.8
Min. Circuit Amp	15.0	15.0	20.9	20.9	20.9	23.0
Max. Fuse Size	20	20	30	30	30	30
Max HACR Breaker	20	20	30	30	30	30
Net Weight	360	370	360	370	385	365
Shipping Weight	370	380	370	380	395	365

PGB models meet California NOX Requirements

- (1) In accordance with D.O.E. Test Procedures
- (2) Certified per ARI 210 and 270
- (3) BTU / Watt @ 80/67 °F inside - 95 °F outside air

PRODUCT SPECIFICATIONS

Specifications (cont.)

	PGB036075-1B	PGB036075-3B	PGB036100-1B	PGB042075-1B	PGB042100-1B	PGB042125-1B
Total Cooling - BTUH	34,200	34,200	35,000	40,000	40,000	40,800
Sens. Cooling - BTUH	24,600	24,600	25,200	30,400	30,400	31,200
Cooling CFM Nominal	1,200	1,200	1,200	1,450	1,450	1,500
SEER (2)	10.0	10.0	10.0	10.0	10.0	10.0
EER _a (3)	-	-	-	-	-	-
Sound Rating (2)	8.2	8.2	8.2	8.4	8.4	8.4
Heating Input	69,000	69,000	92,000	69,000	92,000	115,000
Heating Capacity	56,600	-	75,400	56,600	75,400	94,300
Output Capacity	-	56,600	-	-	-	-
AFUE (1)	80.0	-	80.0	80.0	80.0	80.0
Outdoor S. S. Eff.	-	82.0	-	-	-	-
California SEER	75.2	75.2	75.2	74.3	75.5	76.2
Temp. Rise Range	35-65	35-65	55-85	30-60	45-75	45-75
Indoor Blower						
Type	DD	DD	DD	DD	DD	DD
Size - D x W	10 x 6	10 x 6	10 x 6	10 x 8	10 x 8	10 x 8
Motor H.P.	1/3	1/3	1/3	1/2	1/2	1/2
Evaporator Coil						
Face (ft ²)	2.41	2.41	2.86	2.86	2.86	4.43
Fin / In	14	14	14	14	14	14
No. of Rows	4	4	3	4	4	3
Outdoor Fan						
Fan Dia. (in.)	18	18	20	20	20	22
Motor H.P.	1/6	1/6	1/4	1/4	1/4	1/4
Condenser Coil						
Face Area (ft ²)	10.05	10.05	11.30	11.30	11.30	14.95
Fin / In.	19	19	19	19	19	19
No. of Rows	1	1	1	1	1	1
Electrical						
Ph	1	3	1	1	1	1
Volts	208/230	208/230	208/230	208/230	208/230	208/230
Compr. RLA	14.9	10.3	14.9	18.6	18.6	17.1
Compr. LRA	96.0	75.0	96.0	127.0	127.0	105.0
Indoor Blower FLA.	2.6	2.6	2.6	3.6	3.6	3.6
Outdoor Blower FLA.	1.8	1.8	1.8	1.8	1.8	1.8
Min. Circuit Amp	23.0	17.3	23.0	28.7	28.7	26.8
Max. Fuse Size	30	25	30	40	40	40
Max HACR Breaker	30	20	30	40	40	40
Net Weight	375	375	395	405	410	465
Shipping Weight	385	385	405	415	420	475

PGB Models meet California NOX Requirements

(1) In accordance with D.O.E. Test Procedures

(2) Certified per ARI 210 and 270

(3) BTU / Watt @ 80/67 °F inside - 95 °F outside air

PRODUCT SPECIFICATIONS

Specifications (cont.)

	PGB048075-1B	PGB048100-3B	PGB048125-1B	PGB048150-1B	PGB048150-3B	PGB060100-1
Total Cooling - BTUH	46,000	46,000	46,000	46,000	46,000	58,000
Sens. Cooling - BTUH	36,800	36,800	36,800	36,800	36,800	43,800
Cooling CFM Nominal	1,700	1,700	1,700	1,700	1,700	1,950
SEER (2)	10.0	10.0	10.0	10.0	10.0	10.0
EER_a (3)	-	9.3	-	9.3	9.3	-
Sound Rating (2)	8.4	8.4	8.4	8.4	8.4	8.4
Heating Input	69,000	92,000	115,000	140,000	140,000	92,000
Heating Capacity	56,600	-	94,300	114,800	-	75,400
Output Capacity	-	75,400	-	-	114,800	-
AFUE (1)	80.0	-	80.0	80.0	82.0	80.0
Outdoor S. S. Eff.	-	82.0	-	-	-	-
California SEER	73.3	74.8	75.8	76.5	76.6	73.6
Temp. Rise Range	20-50	30-60	40-70	45-75	45-75	25-55
Indoor Blower						
Type	DD	DD	DD	DD	DD	DD
Size - D x W	10 x 10	10 x 10	10 x 10	10 x 10	10 x 10	10 x 10
Motor H.P.	1/2	1/2	1/2	1/2	1/2	3/4
Evaporator Coil						
Face (ft ²)	4.43	4.43	4.43	4.43	4.43	4.43
Fin / In	14	14	14	14	14	14
No. of Rows	4	4	4	4	4	4
Outdoor Fan						
Fan Dia. (in.)	22	22	22	22	22	22
Motor H.P.	1/3	1/3	1/3	1/3	1/3	1/3
Condenser Coil						
Face Area (ft ²)	14.95	14.95	14.95	14.95	14.95	14.95
Fin / In.	19	19	19	19	19	19
No. of Rows	1	1	1	1	1	1
Electrical						
Ph	1	3	1	1	3	1
Volts	208/230	208/230	208/230	208/230	208/230	208/230
Compr. RLA	18.3	12.6	18.3	18.3	12.6	28.2
Compr. LRA	102.0	91.0	102.0	102.0	91.0	135.0
Indoor Blower FLA	3.6	3.6	3.6	3.6	3.6	6.0
Outdoor Blower FLA	2.5	2.5	2.5	2.5	2.5	2.4
Min. Circuit Amp	29.0	21.9	29.0	29.0	21.9	43.7
Max. Fuse Size	40	30	40	40	30	60
Max HACR Breaker	40	30	40	40	30	60
Net Weight	470	480	490	500	500	525
Shipping Weight	480	490	500	510	510	535

PGB Models meet California NOX Requirements

- (1) In accordance with D.O.E. Test Procedures
- (2) Certified per ARI 210 and 270
- (3) BTU / Watt @ 80/67 °F inside - 95 °F outside air

PRODUCT SPECIFICATIONS

Specifications (cont.)

	PGB060100-3	PGB060125-1	PGB060125-3	PGB060150-1	PGB060150-3	PGB060150-4
Total Cooling - BTUH	58,000	58,000	58,000	58,000	58,000	58,000
Sens. Cooling - BTUH	43,800	43,800	43,800	43,800	43,800	43,800
Cooling CFM Nominal	1,950	1,950	1,950	1,950	1,950	1,950
SEER (2)	10.0	10.0	10.0	10.0	10.0	10.0
EER_a (3)	9.3	-	9.3	-	9.3	9.3
Sound Rating (2)	8.4	8.4	8.4	8.4	8.4	8.4
Heating Input	92,000	115,000	115,000	140,000	140,000	140,000
Heating Capacity	-	94,300	-	114,800	-	-
Output Capacity	75,400	-	94,300	-	114,800	114,800
AFUE (1)	-	80.0	-	80	-	-
Outdoor S. S. Eff.	82.0	-	82.0	-	82.0	82.0
California SEER	73.6	74.8	74.8	75.6	75.6	75.0
Temp. Rise Range	25-55	35-65	35-65	40-70	40-70	40-70
Indoor Blower						
Type	DD	DD	DD	DD	DD	DD
Size - D x W	11 x10	11 x 10	11 x 10	11 x 10	11 x 10	11 x 10
Motor H.P.	3/4	3/4	3/4	3/4	3/4	3/4
Evaporator Coil						
Face (ft ²)	4.43	4.43	4.43	4.43	4.43	4.43
Fin / In	14	14	14	14	14	14
No. of Rows	4	4	4	4	4	4
Outdoor Fan						
Fan Dia. (in.)	22	22	22	22	22	22
Motor H.P.	1/3	1/3	1/3	1/3	1/3	1/3
Condenser Coil						
Face Area (ft ²)	14.95	14.95	14.95	14.95	14.95	14.95
Fin / In.	19	19	19	19	19	19
No. of Rows	1	1	1	1	1	1
Electrical						
Ph	3	1	3	1	3	3
Volts	208/230	208/230	208/230	208/230	208/230	460
Compr. RLA	16.0	28.2	16.0	28.2	16.0	8.0
Compr. LRA	137.0	135.0	137.0	135.0	137.0	68.0
Indoor Blower FLA.	6.0	6.0	6.0	6.0	6.0	2.2
Outdoor Blower FLA.	2.4	2.4	2.4	2.4	2.4	1.2
Min. Circuit Amp	28.4	43.7	28.4	43.7	28.4	13.4
Max. Fuse Size	40	60	40	60	40	20
Max HACR Breaker	40	60	40	60	40	20
Net Weight	525	535	535	545	545	545
Shipping Weight	535	545	545	555	555	555

PGB Models meet California NOX Requirements

(1) In accordance with D.O.E. Test Procedures

(2) Certified per ARI 210 and 270

(3) BTU / Watt @ 80/67 °F inside - 95 °F outside air

PRODUCT SPECIFICATIONS

Evaporator Blower Air Flow Data

MODEL #	PGB024 050/075-1A							
VOLTAGE	208		230		208		230	
MOTOR SPEED	LOW		LOW		HIGH		HIGH	
E.S.P.	CFM	WATTS	CFM	WATTS	CFM	WATTS	CFM	WATTS
.10	715	250	825	295	845	300	970	340
.20	700	245	810	285	825	295	925	330
.30	685	240	795	280	810	285	905	320
.40	665	230	760	265	775	270	870	310
.50	640	220	720	250	740	260	815	290
.60	590	200	675	230	690	240	755	270

MODEL #	PGB030 050/075-1A							
VOLTAGE	208		230		208		230	
MOTOR SPEED	LOW		LOW		HIGH		HIGH	
E.S.P.	CFM	WATTS	CFM	WATTS	CFM	WATTS	CFM	WATTS
.10	1,000	300	1,060	325	1,120	360	1,140	385
.20	960	295	1,030	315	1,080	355	1,090	375
.30	905	290	970	300	1,020	340	1,035	360
.40	870	280	940	290	975	330	990	350
.50	830	265	880	285	925	320	935	340
.60	785	250	810	270	865	305	990	330

MODEL #	PGB030100-1A & PGB036 050/075/100-X							
VOLTAGE	208		230		208		230	
MOTOR SPEED	LOW		LOW		HIGH		HIGH	
E.S.P.	CFM	WATTS	CFM	WATTS	CFM	WATTS	CFM	WATTS
.10	1,115	450	1,265	480	1,400	490	1,465	520
.20	1,100	425	1,235	460	1,245	470	1,330	500
.30	1,070	410	1,200	450	1,205	450	1,285	480
.40	1,040	375	1,150	395	1,150	410	1,235	450
.50	995	360	1,095	380	1,100	395	1,175	425
.60	960	340	1,025	360	1,050	370	1,100	400

MODEL #	PGB042 075/100/125-X							
VOLTAGE	208		230		208		230	
MOTOR SPEED	LOW		LOW		HIGH		HIGH	
E.S.P.	CFM	WATTS	CFM	WATTS	CFM	WATTS	CFM	WATTS
.10	930	400	1,120	475	1,300	580	1,555	650
.20	905	390	1,100	465	1,290	550	1,515	630
.30	895	385	1,075	445	1,275	530	1,455	600
.40	865	375	1,060	435	1,235	510	1,395	570
.50	840	360	1,030	425	1,180	490	1,320	550
.60	815	355	970	405	1,110	465	1,245	550
.70	790	340	920	385	1,060	440	1,200	520
.80	765	315	875	365	1,020	415	1,160	490

PRODUCT SPECIFICATIONS

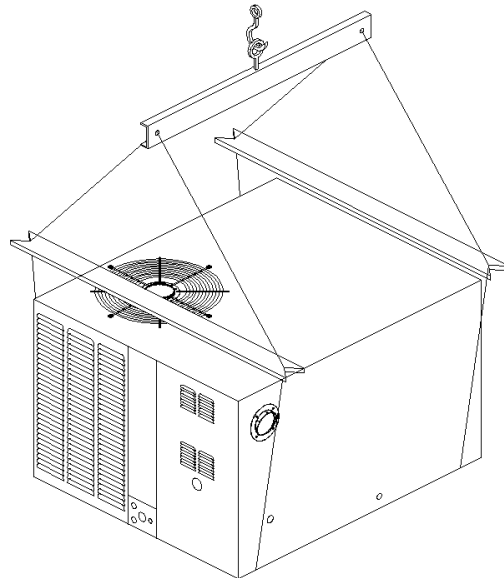
Evaporator Blower Air Flow Data

MODEL #	PGB048 075/100/125/150-X							
VOLTAGE	208		230		208		230	
MOTOR SPEED	LOW		LOW		HIGH		HIGH	
E.S.P.	CFM	WATTS	CFM	WATTS	CFM	WATTS	CFM	WATTS
.10	1,400	650	1,680	730	1,720	745	1,970	840
.20	1,385	610	1,645	710	1,685	730	1,905	790
.30	1,355	585	1,605	670	1,645	695	1,820	750
.40	1,345	570	1,540	635	1,580	660	1,725	710
.50	1,295	530	1,470	605	1,515	625	1,630	670
.60	1,245	505	1,410	570	1,430	595	1,540	635
.70	1,200	480	1,360	540	1,390	565	1,490	600
.80	1,160	455	1,310	510	1,350	535	1,440	570

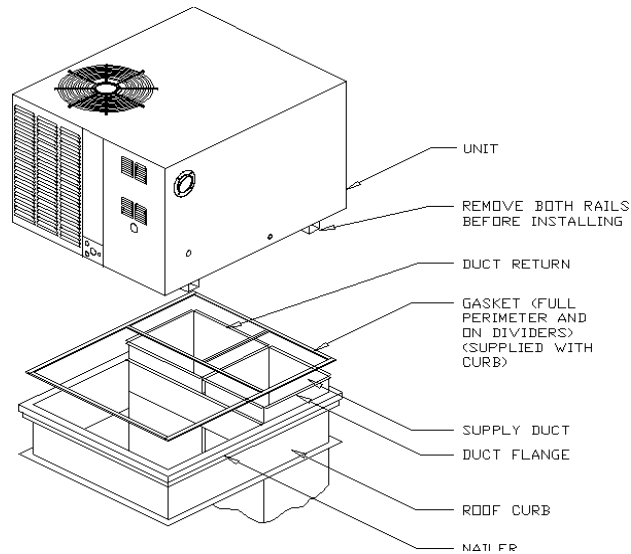
MODEL #	PGB060 100/125/150-X							
VOLTAGE	208		230		208		230	
MOTOR SPEED	LOW		LOW		HIGH		HIGH	
E.S.P.	CFM	WATTS	CFM	WATTS	CFM	WATTS	CFM	WATTS
.10	1,610	815	1,870	940	2,025	1,040	2,285	1,170
.20	1,585	780	1,830	915	2,005	1,020	2,265	1,150
.30	1,570	775	1,805	890	1,955	990	2,195	1,090
.40	1,545	760	1,770	870	1,925	960	2,130	1,060
.50	1,505	730	1,740	840	1,870	940	2,035	1,000
.60	1,450	715	1,670	810	1,805	895	1,965	965
.70	1,400	700	1,610	780	1,750	855	1,900	930
.80	1,350	680	1,560	750	1,700	815	1,840	895

WET COIL PRESSURE DROP			
MODEL	IN. W.C. (H ₂ O)	MODEL	IN. W.C. (H ₂ O)
PGB024	.09	PGB042	.09 - .12
PGB030	.10 - .12	PGB048	.13
PGB036	.12 - .15	PGB060	.15

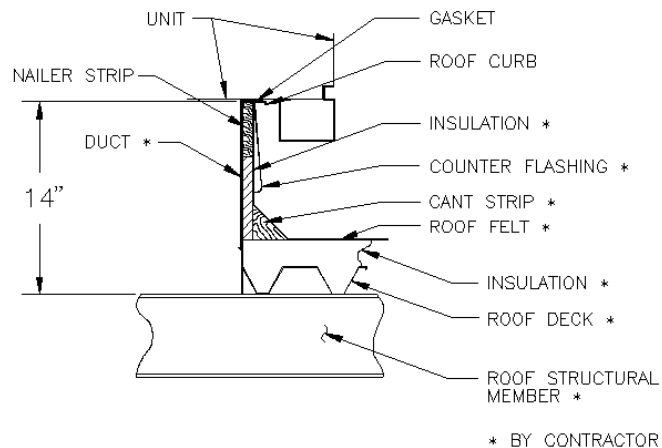
NOTE: 1) ALL BLOWER DATA IS DRY COIL WITHOUT FILTER, ADD .08 FOR FILTER
 2) WET COIL PRESSURE DROP RANGE FOR COOLING TONNAGE IN TWO DIFFERENT CABINETS,
 LARGER PRESSURE DROP CORRESPONDS TO THE SMALLER CABINET.
 EX: (SMALL CABINET) PGB030075-1 - .12" W.C., (MEDIUM CABINET) PGB030100-1 - .10" W.C.



Lifting Detail
Figure 3



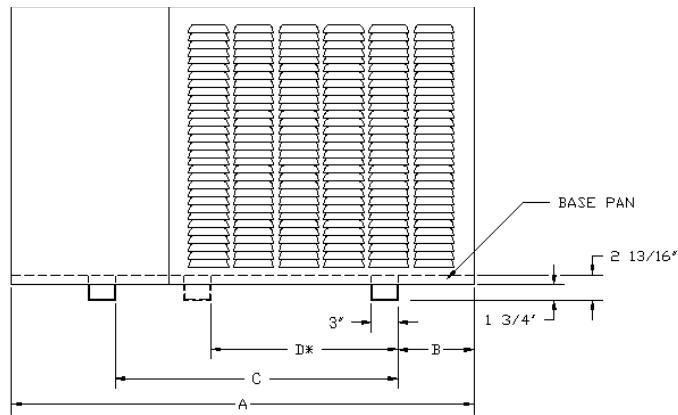
Roof Curb
Figure 5



Roof Curb
Figure 7

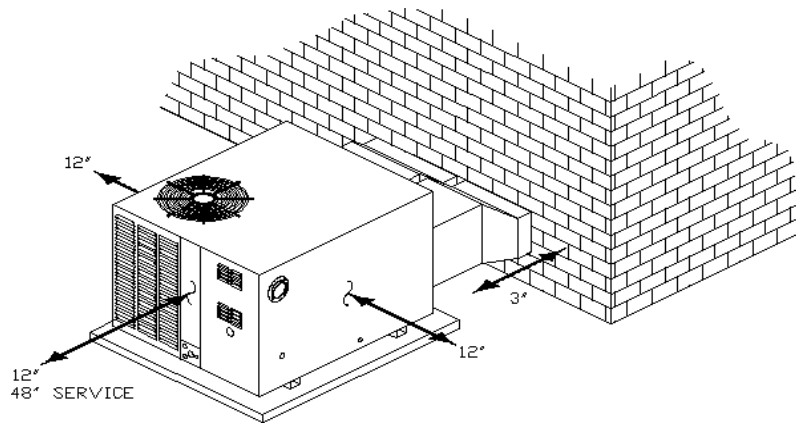
* BY CONTRACTOR

PRODUCT SPECIFICATIONS

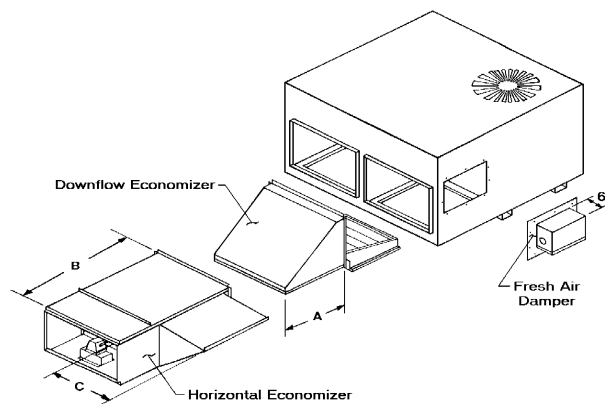


Base Rail Detail
Figure 4

UNIT	A	B	C	D
2 - 3 Ton (Small)	52"	9"	31 3/4"	21 1/16"
2 1/2 - 3 1/2 Ton (Medium)	52"	9"	31 3/4"	21 1/16"
3 1/2 - 5 Ton (Large)	55 3/8"	8"	35 3/4"	23"



Outside Slab Installation
Figure 6



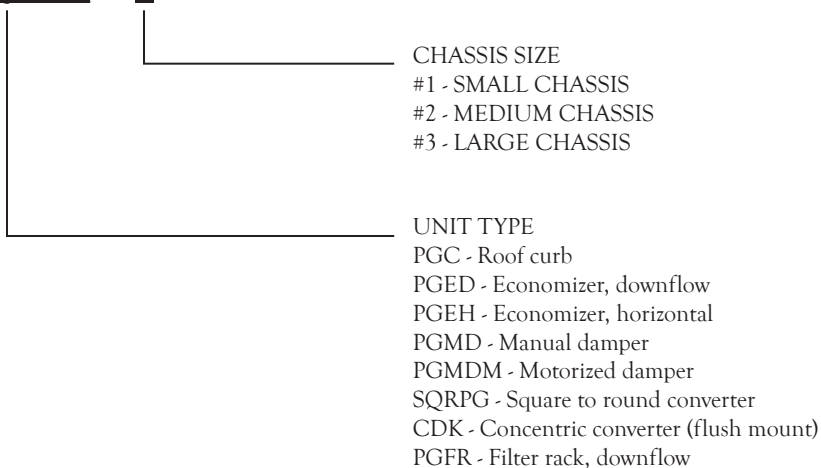
Economizer & Fresh Air Damper
(Optional) Figure 8

UNIT	A	B	C
2 - 3 TON (Small)	17"	33"	13 ¹³ / ₁₆ "
2 - 3 TON (Medium)	19"	35"	15 ¹³ / ₁₆ "
3 1/2 - 5 TON (Large)	22"	42"	17 ¹³ / ₁₆ "

PRODUCT SPECIFICATIONS

Accessory Model Identification

SQRPG - 1



Accessory Selection Table

MODEL	DESCRIPTION	CHASSIS #1	CHASSIS #2	CHASSIS #3
PGC-1	Roof Curb	•		
PGC-2	Roof Curb		•	
PGC-3	Roof Curb			•
PGED-1	Downflow Economizer	•		
PGED-2	Downflow Economizer		•	
PGED-3	Downflow Economizer			•
PGEH-1	Horizontal Economizer	•		
PGEH-2	Horizontal Economizer		•	
PGEH-3	Horizontal Economizer			•
PGMD1-3	Manual Fresh Air Damper	•	•	•
PGMDM1-3	Motorized Fresh Air Damper	•	•	•
SQRPG-1	Square To Round Converter	•		
SQRPG-2	Square To Round Converter		•	
SQRPG-3	Square To Round Converter			•
CDK1-2	Concentric Converter	•	•	
CDK-3	Concentric Converter			•
PGFR-1	Downflow Filter Rack	•		
PGFR-2	Downflow Filter Rack		•	
PGFR-3	Downflow Filter Rack			•

NOTES:

- 1) SEE FIGURES 5, 7 and 8 (PAGE 10) FOR DETAILS.
- 2) SEE DIMENSIONS TABLE (PAGE 3) FOR MODELS IS CHASSIS 1, 2 and 3.

