



MODEL NAMES	SERIAL NUMBER PREFIX	MODEL
MB3200	-	-
MB3201	-	-
MAC 280B	21-	400228-03
MAC 320B	21-	400232-01
MAC 320BV	21-	400232-00
Silver Eagle 320B	21-	400232-03
Silver Eagle 320BV	21-	400232-04

McCulloch products are identified by a model number (in this instance 40228) followed by a suffix number (03). Suffix numbers denote variations in parts or assemblies used in the manufacture of this product.

Illustrated Parts Lists (IPLs) contain a PART NUMBER, DESCRIPTION, UNITS per assembly and STOCKING CODE for each part.

Stocking Codes are:

- A - Dealer stocked. Fast to medium moving part.
- B - Distributor stocked. Medium to slow moving part.
- C - Factory stocked. Slow moving part.

NOTE: The following explains symbols and footnotes in this IPL:

- (-) A dash preceding a PART NUMBER indicates that it is a new part number, different from the one listed in the previous IPL for this unit.
- (.) One or more dots (. Spring, Starter) preceding a part DESCRIPTION indicates the part is included in the kit or assembly described directly above the dot(s).
- (-- --) If four dashes appear in place of a PART NUMBER, the part is not available individually but is included in the next higher assembly or subassembly.
- ①② Circled numbers preceding a DESCRIPTION footnote the part or assembly to additional information on the page.
- (\*) An asterisk denotes that choices follow or precede.

The policy of McCulloch one of continual improvement in design, manufacturing and engineering advancement wherever possible to assure still finer power tools. Hence, Specifications, equipment colors, design and manufacturer's suggested list prices are subject to change without notice. McCulloch reserves the right to make such changes without prior notification or obligation to backfit or supply backfit components for units previously shipped from the factory.

**MARCH 2003**

## ILLUSTRATED PARTS LIST

P.O. Box 31567 • Tucson, Arizona 85751-1567 • U.S.A.

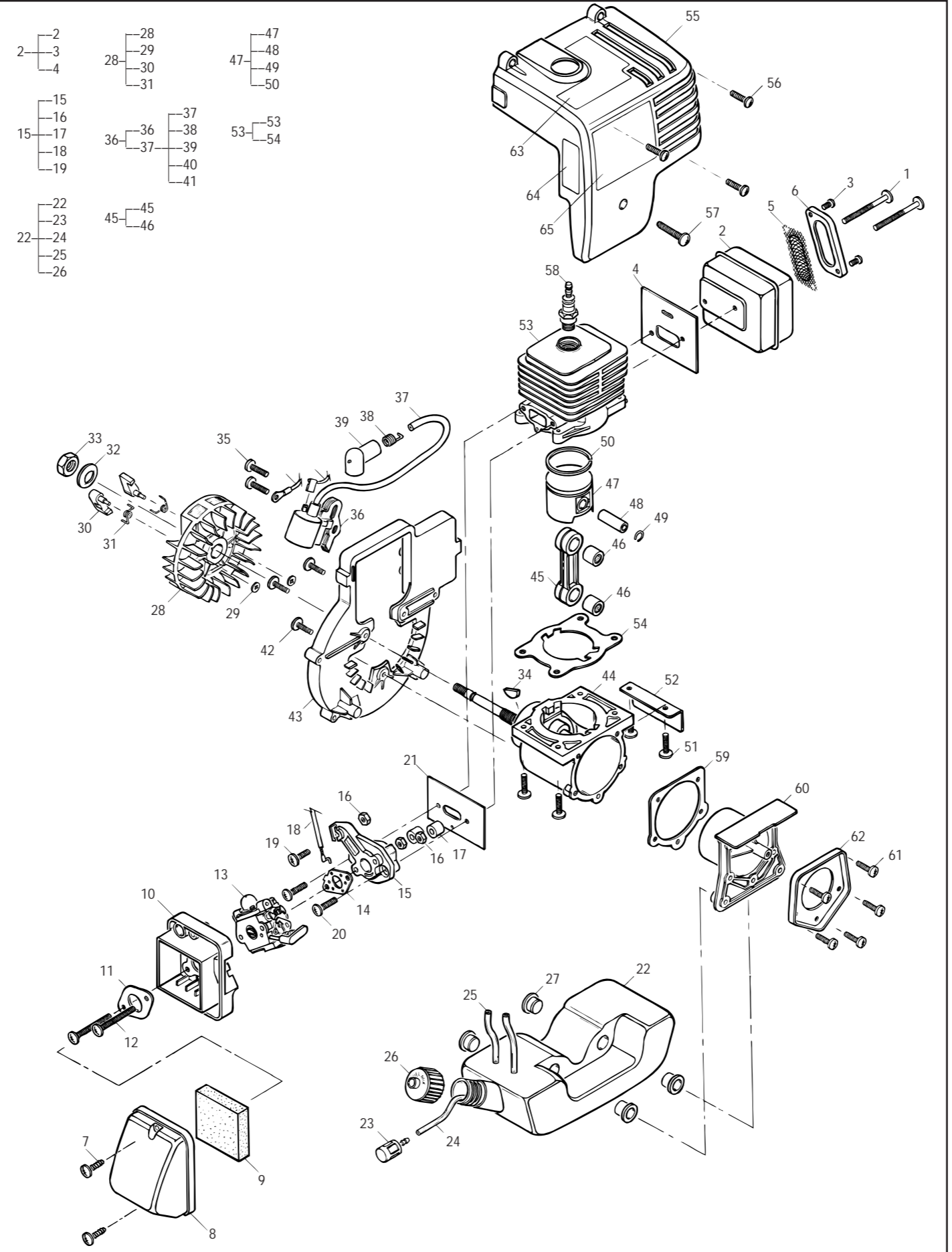
### 28cc and 32cc GAS POWERED BLOWERS

### 32 cc GAS POWERED ANTI-VIBRATION BLOWER / VACS



**FIGURE 1**

**POWERHEAD ASSEMBLY**



## POWERHEAD ASSEMBLY

## FIGURE 1

ITEM NO.	STK CODE	PART NUMBER	DESCRIPTION	UNITS PER ASY
1	A	MC-111159	Screw, 10-24x2.25 Taptite	2
2	B	MC-224707	Kit, Muffler	1
3	-	-- --	Screw	2
4	C	MC-322420	Plate, Muffler	1
5	B	MC-322413	Screen, Spark Arrester	1
6	C	MC-322414-90	Cover, Spark Arrester	1
7	A	MC-300294	Screw, 8-16 x .75 Tr Hd Plastite	2
8	A	MC-322429-61	Cover, Air Box	1
9	A	MC-224239	Filter, Air	1
10	B	MC-322436-61	Box, Air Filter	1
11	C	MC-322425-90	Plate, Air Box	1
12	A	MC-218083	Screw, 10-24 x 2 Torx	2
13	-	FIGURE 4	Carburetor Assembly	1
14	A	MC-218933	Gasket, Carburetor	1
15	C	MC-322434	Manifold, Carburetor	1
16	A	MC-218315	Nut, 10-24	3
17	A	MC-322188	Spacer, Rubber	2
18	C	MC-322409	Cable, Throttle	1
19	A	MC-219881	Screw, 10-24 x .62 Tr Hd Torx	1
20	A	MC-111203	Screw, 10-24 x .875 Taptite	2
21	A	MC-323912	Gasket, Manifold	1
22	B	MC-302349	Fuel Tank Asy	1
23	C	MC-93720	Filter, Fuel	1
24	A	MC-225162	Hose, Fuel	1
25	A	MC-225163	Hose, Fuel Return	1
26	A	MC-223508	Kit, Fuel Cap w/Retainer	1
27	A	MC-322105	Isolator, Fuel Tank	4
28	B	MC-301352-01	Flywheel Asy	1
29	B	MC-550001	Pawl Kit	2
29	-	-- --	Retainer Ring	2
30	-	-- --	Pawl, Starter	2
31	B	MC-322835	Spring, Starter Pawl	2
32	B	MC-111205	Washer, Conical Spring	1
33	B	MC-111085	Nut, Hex	1
34	A	MC-102164	Key, Flywheel	1
35	A	MC-111203	Screw, 10-24 x .875 Taptite	2
36	A	MC-302138	Ignition Asy	1
37	A	MC-223884	Kit, Spark Plug Wire	1
38	A	MC-102556	Connector, Spark	1
39	A	MC-95266	Boot, Spark Plug	1
40	B	MC-215533-01 <sup>ⓐ</sup>	Grommet, H/T Lead, Split	1
41	B	MC-110995 <sup>ⓑ</sup>	Grommet, S/Plug Wire	1
42	B	MC-111067	Screw, 10-24 x .63	3

ITEM NO.	STK CODE	PART NUMBER	DESCRIPTION	UNITS PER ASY
43	A	MC-322396	Shroud, Engine	1
44	C	MC-224713	Short Block Asy	1
-	-	-- --	C'case Asy	1
-	-	-- --	C'case, Machined	1
-	-	-- --	Bearing 6202	1
-	-	-- --	Bearing 6202RS	1
-	-	-- --	Seal	1
-	-	-- --	Spacer	1
-	-	-- --	O-ring	1
45	-	-- --	Connecting Rod Asy	1
46	-	-- --	Bearing	2
47	-	-- --	① Kit, Piston, 28cc	1
48	-	-- --	① Piston Pin, C'shaft (10mm dia)	1
49	-	-- --	① Ring, Retaining	1
50	-	-- --	① Ring, Piston, 35mm	1
47	-	-- --	②③④⑤ Kit, Piston, 32cc	1
48	-	-- --	②③④⑤ Piston Pin, C'shaft (10mm dia)	1
49	-	-- --	②③④⑤ Ring, Retaining	1
50	-	-- --	②③④⑤ Ring, Piston	1
51	A	MC-111065	Screw, 10-24 x .688 Tri Rnd	4
52	A	MC-322426-90	Shield, Muffler	1
53	-	-- --	① Kit, Cylinder/Gasket, 28cc	1
53	-	-- --	②③④⑤ Kit, Cylinder/Gasket, 32cc	1
54	A	MC-224022 <sup>②③④⑤</sup>	Gasket, Cylinder	1
55	A	MC-322432-61	Cover, Cylinder/Muffler	1
56	A	MC-300294	Screw, 8-16 x .75 Tr Hd Plastite	3
57	A	MC-218644	Screw, 10-14 x .75 Torx	1
58	A	MC-92879	Spark Plug, RDJ8J	1
59	A	MC-224023	Gasket, C'case	1
60	C	MC-224024-01	Plug, C'case	1
61	A	MC-111065	Screw, 10-24 x .688 Tri Rnd	5
62	C	MC-322437-90	Plate, C'case	1
63	C	MC-46761-15	Starting Instr, Eng/Fr	1
63	C	MC-46761-36	Starting Instr, Eng/Sp	1
64	C	MC-46760-69	Choke Label	1
65	C	MC-46761-16	Decal, Warning, Tri	1

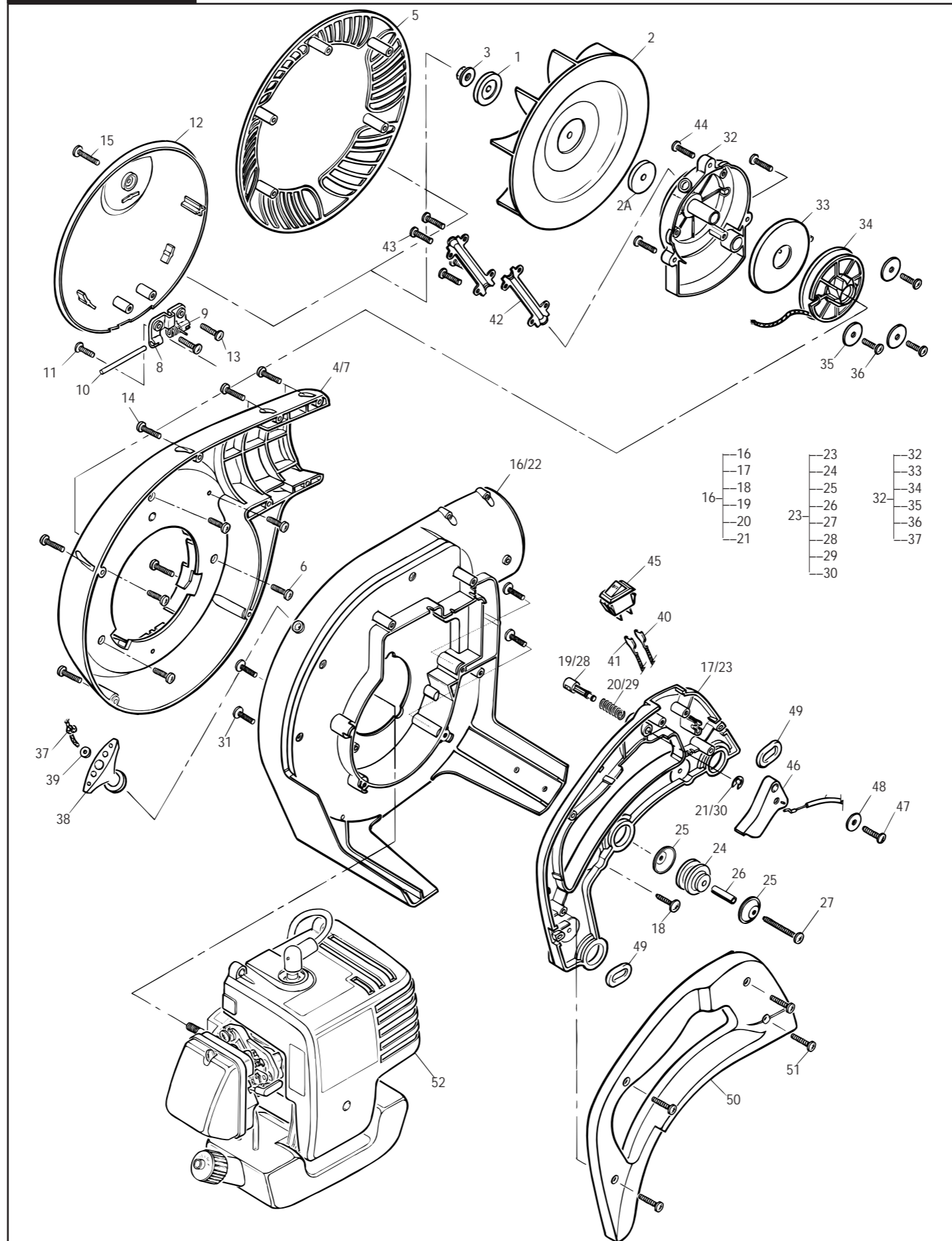
① MAC 280B only  
 ② MAC 320B only  
 ③ MAC 320BV only  
 ④ SE 320B  
 ⑤ SE 320BV  
 ⑥ Not shown -- Not used on these models

[Order McCulloch Blower parts on eBay](#)



FIGURE 2

GENERAL ASSEMBLY



## GENERAL ASSEMBLY

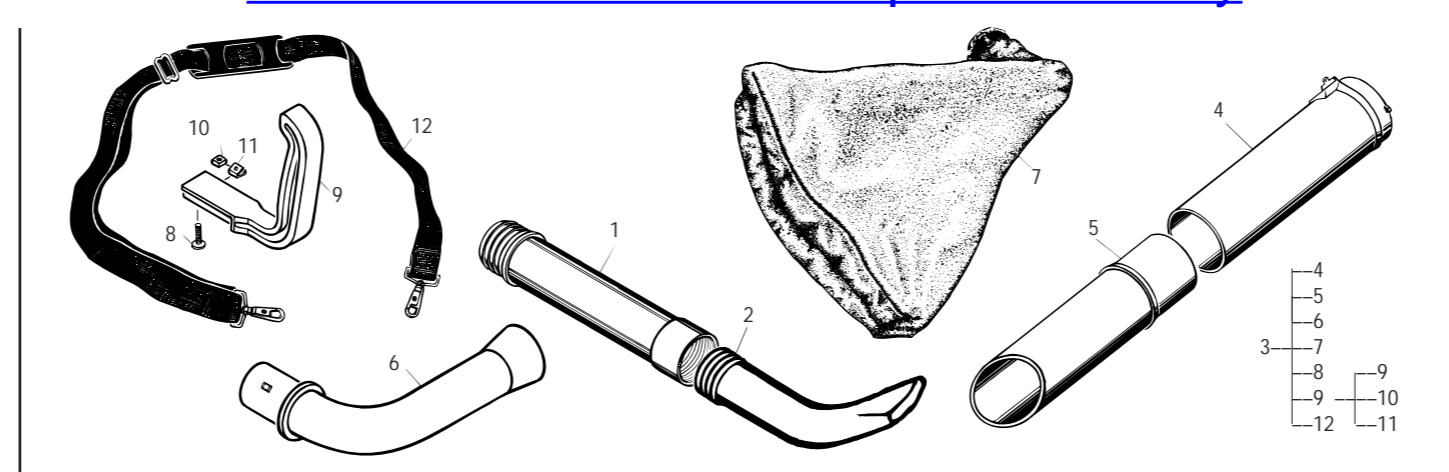
ITEM NO.	STK CODE	PART NUMBER	DESCRIPTION	UNITS PER ASY
1	C	MC-218655	Disc Drive	1
2	B	MC-540002	Kit, Impellar, Blower/Vac	1
*2A	C	MC-9122-320001	Disc Drive	1
3	A	MC-110961	Nut, Hx 5/16-24	1
*4	C	MC-322402-60	① Outer Housing (Yellow)	1
*4	C	MC-322402-63	④ Outer Housing (Grey)	1
*5	B	MC-323780-60	① Cover, Impellar (Yellow)	1
*5	B	MC-323780-63	④ Cover, Impellar (Grey)	1
6	A	MC-300294	①④ Screw, 8-16 x .75 Tr Hd Plastite	5
*7	C	MC-323781-60	③ Outer Housing, Blo/Vac (Yellow)	1
*7	C	MC-323781-63	⑤ Outer Housing, Blo/Vac (Grey)	1
8	B	MC-322411	②③⑤ Hinge	1
9	B	MC-322438	②③⑤ Spring, Torsional	1
10	A	MC-218538	②③⑤ Pin, Cover	1
11	A	MC-111055	②③⑤ Screw, 10-14 x .625 Plastite	1
*12	B	MC-322401-60	② Cover, Fan (Yellow)	1
*12	C	MC-322401-63	⑤ Cover, Fan (Grey)	1
13	A	MC-300294	②③⑤ Screw, 8-16 x .75 Tr Hd Plastite	2
14	A	MC-300294	Screw, 8-16 x .75 Tr Hd Plastite	8
15	A	MC-111203	Screw, 10-24 x .875 Taptite	1
16	B	MC-224709	①④ Kit, Inner Housing, Non-AV	1
17	B	MC-322406-61	Handle, Left	1
18	A	MC-218644	Screw, 10-14 x .75 Tr Torx	3
19	B	MC-322408	Lock, Throttle	1
20	B	MC-322430	Spring, Compression	1
21	A	MC-111195	Ring, Retaining	1
22	C	MC-302060	②③⑤ Inner Housing Asy, AV	1
23	B	MC-322412-61	③⑤ Left Handle, AV	1
24	C	MC-322399	Isolator Rubber	3
25	C	MC-322398-90	Washer, Isolator	6
26	B	MC-322175	Spacer, .21 ID x 1.00 Long	3
27	B	MC-111093	Screw, 10-24 x 1.75 Tr Hd Torx	3

## FIGURE 2

ITEM NO.	STK CODE	PART NUMBER	DESCRIPTION	UNITS PER ASY
28	B	MC-322408	Throttle Lock	1
29	B	MC-322430	Spring, Compression	1
30	A	MC-111195	Ring, Retaining	1
31	A	MC-111067	Screw, 10-24 x .63 SI Torx Tp	4
32	B	MC-224710	Kit, Starter Housing Asy	1
33	A	MC-300475	Spring/Starter Rewind	1
34	A	MC-300872	Pulley, Starter	1
35	A	MC-322176	Washer, .2 ID x 7/8 in. OD	3
36	A	MC-300294	Screw, 8-16 x .75 Tr Hd Plastite	3
37	B	MC-323131	Rope, Starter 46"	1
38	A	MC-216792	Handle Starter	1
39	A	MC-218941	Washer, Nylon	1
40	A	MC-302057	Wire Asy, Ground	1
41	A	MC-302058	Wire Asy, Stop Switch	1
42	B	MC-322435	Cover, Rope	2
43	A	MC-300294	Screw, 8-16 x .75 Tr Hd Plastite	4
44	A	MC-300294	Screw, 8-16 x .75 Tr Hd Plastite	3
45	A	MC-223241	Momentary Switch	1
46	B	MC-322407	Throttle Trigger	1
47	A	MC-300294	Screw, 8-16 x .75 Tr Hd Plastite	1
48	A	MC-300297	Washer, .19 ID x .68 OD	1
49	B	MC-218667	Harness Link	2
50	B	MC-322405-61	Handle, Right	1
51	A	MC-300294	Screw, 8-16 x .75 Tr Hd Plastite	4
52	-	FIGURE 1	Powerhead Asy	1

① *MAC 280B only*  
 ② *MB3200 & MAC 320B only*  
 ③ *MB3201 & MAC 320BV only*  
 ④ *SE 320B*  
 ⑤ *SE 320BV*

[Order McCulloch Blower parts on eBay](#)



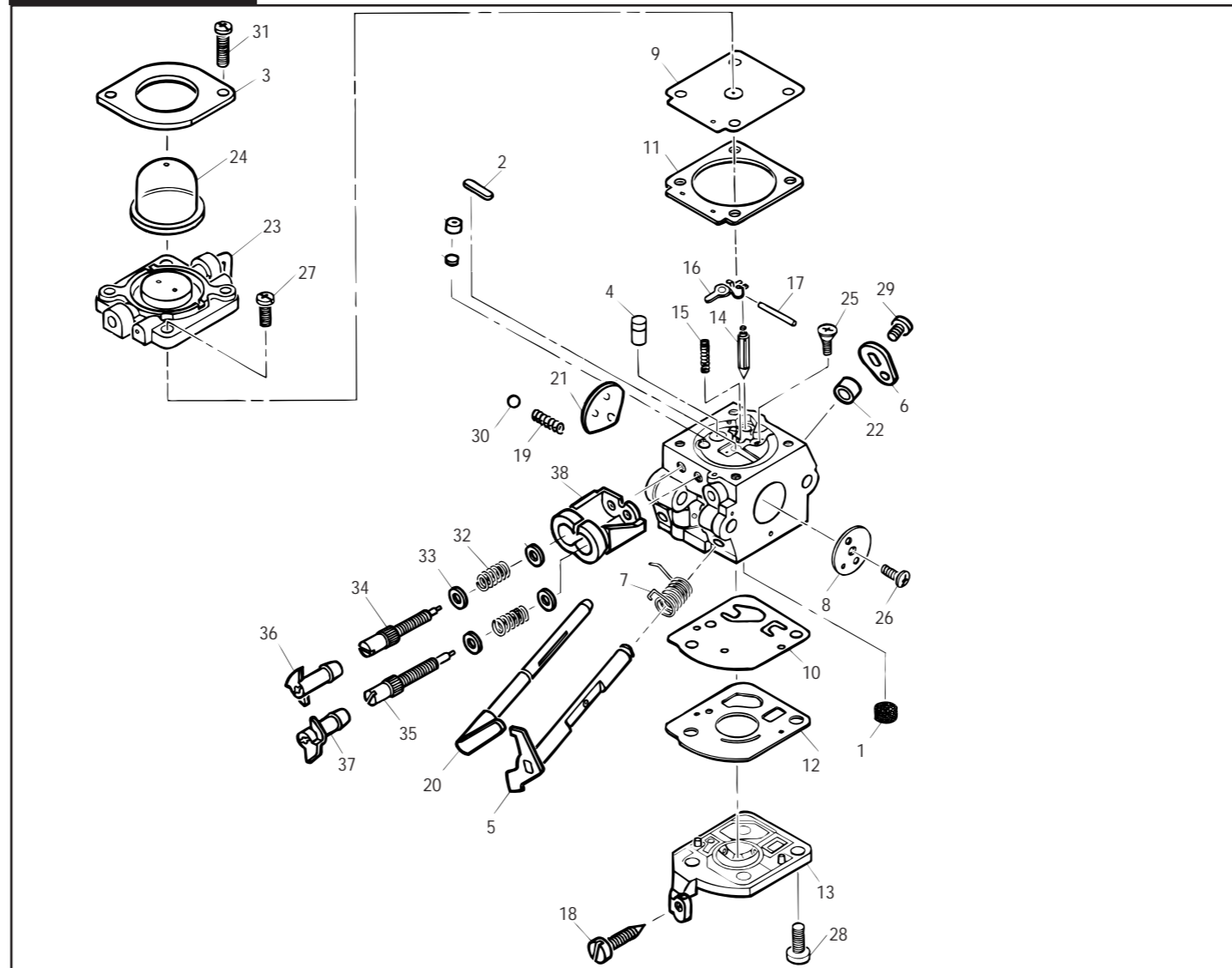
ITEM NO.	STK CODE	PART NUMBER	DESCRIPTION	UNITS PER ASY
1	A	MC-219173-02	Tube, Blower	1
2	A	MC-324054	Nozzle, Fishtail	1
3		MC-302433	②③⑤ Kit, Vacuum	1
4	B	MC-223798	Tube, Suction	1
5	B	MC-223799	Tube, Outer	1
6	B	MC-322423	Tube, Blower 90 deg	1
7	A	MC-218660-02	Blower Bag Asy	1

ITEM NO.	STK CODE	PART NUMBER	DESCRIPTION	UNITS PER ASY
8	A	MC-219881	Screw, 10-24 x .62 Tr HD Torx	2
9	B	MC-224708	Side Handle Asy	1
10	A	MC-218005	Nut, Square 10-24	2
11	A	MC-300292	Retainer, Nut	2
12	B	MC-218666	Harness	1

② *MAC 320B optional accessory*  
 ③⑤ *MAC 320BV, SE 320BV accessory*

**FIGURE 4**

**CARBURETOR ASSEMBLY**



ITEM NO.	STK CODE	PART NUMBER	DESCRIPTION	UNITS PER ASY
		MC-322410-01	Carburetor - Zama C1U-M35A	1
1	---	①	Strainer	1
2	---	①	Plug, Welch	1
3	---		Retainer, Prime	1
4	---		Nozzle Asy, Check Valve	1
5	---		Shaft Asy, Throttle	1
6	---		Lever, Throttle	1
7	---		Spring, Throttle Return	1
8	---		Valve, Throttle	1
9	---	①②	Diaphragm Asy, Metering	1
10	---	①②	Diaphragm, Pump	1
11	---	①②	Gasket, Metering Chamber	1
12	---	①②	Gasket, Pump	1
13	---		Cover, Pump	1
14	---	①	Valve, Inlet Needle	1
15	---	①	Spring, Metering Lever	1
16	---	①	Lever, Metering	1
17	---	①	Pin	1
18	---		Screw, Throttle Adjust	1
19	---		Spring, Friction	1
20	---		Shaft Asy, Choke	1
21	---		Valve, Choke	1

ITEM NO.	STK CODE	PART NUMBER	DESCRIPTION	UNITS PER ASY
22	---		Collar	1
23	---		Base Asy, Primer	1
24A	MC-223756		Primer Bulb	1
25	---		Screw, Pin	1
26	---		Screw, Throttle Valve	1
27	---		Screw, Metering Cover	2
28	---		Screw, Pump Cover	2
29	---		Screw, Throttle Lever	1
30	---		Ball, Steel	1
31	---		Screw, Retainer	2
32	---		Spring, Adjust Screw	1
33	---		Washer, Limiter	1
34	---		Screw, Hi Speed	1
35	---		Screw, Low Speed	1
36	---		Limiter Cap, High	1
37	---		Limiter Cap, Low	1
38	---		Retainer, Limiter	1

① 224711 Kit, Major Repair (RB-29)  
 ② 300472 Kit, Gasket/Diaphragm (GND-12)

## TORQUE SPECIFICATIONS

DESCRIPTION	FASTENER	QTY	FIG/ITEM NO.	TORQUE (in. lbs)	LOCTITE
Muffler to Cylinder	111159 10-24 x 2.25 Taptite	2	1 / 1	55 - 60	--
Air Cover to Air Box	300294 8-16 x .75 Plastite	2	1 / 7	15 - 20	--
Air Box Plate to Carb Manifold	218083 10-24 x 2	2	1 / 12	25 - 35	--
Throttle cable to Carb Manifold	219881 10-24 x 6.25	1	1 / 19	15 - 20	242
Carb Manifold to Cylinder	111203 10-24 x .875	2	1 / 20	55 - 60	--
Flywheel to Crankshaft	111085 7/16 - 20 Hex Nut	1	1 / 33	170 - 180	272
Ignition Module to Eng Shroud	111203 10-24 x .875	2	1 / 35	45 - 50	--
Engine Shroud to C'case	111067 10-24 x .625 Taptite	3	1 / 42	55 - 60	--
C'case to Cylinder	111065 10-24 x .688	4	1 / 51	55 - 60	--
Cylinder Cover to Inner Housing	300294 8-16 x .75 Plastite	3	1 / 56	15 - 20	--
Cylinder Cover to C'case	218644 10 - 14 x .750 Plastite	1	1 / 57	15 - 20	--
Spark Plug	92879 RDJ8J (DJ8J)	1	1 / 58	140 - 150	--
C'case Plate to C'case	111065 10-24 x .688 Taptite	4	1 / 61	40 - 45	272
Washer to Impeller	110961 5/16 Hex Nut	1	2 / 3	60 - 80	--
Outer Housing to Impeller Cover	300294 8-16 x .75 Plastite	5	2 / 7	15 - 20	--
Cover Pin to Outer Housing	111055 10-14 x .620 Plastite	1	2 / 13	15 - 20	--
Hinge to Fan Cover	300294 8-16 x .75 Plastite	2	2 / 15	15 - 20	--
Outer Housing to Inner Housing	300294 8-16 x .75 Plastite	8	2 / 16	15 - 20	--
Left Handle to Inner Housing	218644 10-14 x .75 Plastite	3	2 / 20	15 - 20	--
Isolator Washer to Inner Housing	111093 10-24 x 1.75	3	2 / 29	30 - 40	--
Inner Housing to Eng Shroud	111067 10-24 x .625 Taptite	4	2 / 33	30 - 35	--
Washer to Starter Housing	300294 8-16 x .75 Plastite	3	2 / 38	15 - 20	--
Rope Cover to Inner Housing	300294 8-16 x .75 Plastite	4	2 / 45	15 - 20	--
Starter Housing to Inner Housing	300294 8-16 x .75 Plastite	3	2 / 46	15 - 20	--
Throttle Cable to Left Handle	300294 8-16 x .75 Plastite	1	2 / 49	15 - 20	--
Right Handle to Left Handle	300294 8-16 x .75 Plastite	4	2 / 53	15 - 20	--



P.O. Box 31567 • Tucson Arizona 85751-1567 • U.S.A.

### SALES • SERVICE

FOR WARRANTY OR SERVICE CONTACT THE NEAREST McCULLOCH AUTHORIZED SERVICE CENTER LISTED UNDER 'SAWS' IN YOUR TELEPHONE DIRECTORY YELLOW PAGES.

IF FURTHER ASSISTANCE IS REQUIRED CALL THIS TOLL-FREE HOT LINE. PLEASE REFERENCE YOUR MODEL AND SERIAL NUMBER.

**1-800-521-8559**

MONDAY - FRIDAY - 6:00 AM - 4:30 PM (MST)

*www.mccullochpower.com*

SPECIFICATIONS		
	MAC 280B MB3200	MAC 320B, MAC 320BV, MB3201 SE 320B, SE 320BV
Engine Type	Air-cooled, two cycle, single cylinder	
Displacement	28cc (1.7 ci)	32.4cc (2.0 ci)
Bore	1.37 in. (35mm)	1.42 in. (38mm)
Stroke	1.12 in. (28.6mm)	1.12 in. (28.6mm)
Maximum HP	1.1	1.3
Idle RPM	3000 - 3500	3000 - 3500
Compression after 10 pulls, throttle full open	90 lb/min	90 lb/min
Ignition	Solid State / Electronic	
Flywheel to Ignition Gap	0.007 to 0.012 in. (0.178 to 0.304mm)	
Spark Plug	RDJ8J or DJ8J	
Spark Plug Gap	0.025 in. (0.63mm)	
Fuel Tank Capacity	24 oz (71 cl)	
Running Time	60 minutes	
Air Volume	350 CFM	375 CFM
Air Velocity	155 MPH	165 MPH
Fuel to Oil Ratio	40 : 1	
Dry Weight	10.5 lbs (4.7 kg)	11.2 lbs (5.1 kg)
Carburetor	Diaphragm with Choke and Primer	
Starter Cord	Nylon, Type 3.5, Length 46 in. (117cm)	



# Gas Blower

## MB3200\*\*

### ENGINE

**32cc, 2-Cycle Engine**

### Electronic Ignition

For reliable starts in all conditions

### Chrome-Plated Cylinder

For longer engine life

### Large Capacity Fuel Tank

For longer run times

### BLOWER CAPABILITIES

**Produces up to 155 MPH Airflow  
Velocity**

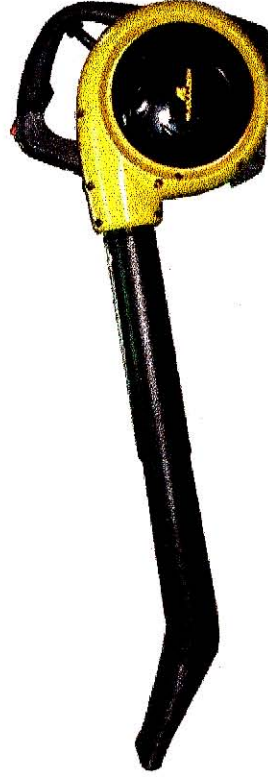
**Produces up to 350 CFM Air Volume**

### OTHER FEATURES

**Balanced & Lightweight Design**

For easy use and handling

**2-Year Limited Warranty**



**\*\*Shipments Available Until  
12/31/2004**

Gas Blower  
Model: 41AR320G077  
UPC: 0 19516 88326 7

# Gas Blower Vac

## MB3201\*\*

### ENGINE

32cc, 2-Cycle Engine

### Electronic Ignition

For reliable starts in all conditions

### Chrome-Plated Cylinder

For longer engine life

### Large Capacity Fuel Tank

For longer run times

### BLOWER CAPABILITIES

Produces up to 165 MPH Airflow Velocity

Produces up to 375 CFM Air Volume

### Vacuum

Mulches debris at a 12:1 reduction ratio, reducing yard waste

2-Bushel Bag Capacity

### OTHER FEATURES

Balanced & Lightweight Design

For easy use and handling

2-Year Limited Warranty



**\*\*Shipments Available Until  
12/31/2004**

Gas Blower/Vacuum  
Model: 41BR321G077  
UPC: 0 19516 88327 4