

Shark ION ROBOT™


RV750

Series

INSTRUCTIONS



 sharkclean.com

 1-800-798-7398

THANK YOU

for purchasing the Shark ION ROBOT™



REGISTER YOUR PURCHASE

- registeryourshark.com
- 1-800-798-7398
- Scan QR code using mobile device

RECORD THIS INFORMATION

Model Number: _____
Serial Number: _____
Date of Purchase (Keep receipt): _____
Store of Purchase: _____

TECHNICAL SPECIFICATIONS

Voltage: 14.8 V
Battery type: DC 14.8 V Li-ion 2600 mAh
Expected cleaning time: 60 minutes
Expected charging time: 3 hours

PLEASE READ CAREFULLY AND KEEP FOR FUTURE REFERENCE.

This instruction manual is designed to help you get a complete understanding of your new Shark ION ROBOT.

If you have any questions, please call the Customer Service line at 1-800-798-7398.

CONTENTS

Important Safety Instructions	3
Getting To Know Your Shark ION ROBOT™	7
Charging Your Shark ION ROBOT	9
Installing the Charging Dock	9
Important Charging Information.....	9
Battery Charge Indicator Lights	10
Setting Up Your Shark ION ROBOT	11
Installing the Side Brushes	11
Using Your Shark ION ROBOT	12
Downloading the Shark App	12
BotBoundary™ Strips	13
Cleaning Modes	14
Sending Shark ION ROBOT to Charging Dock	14
Maintaining Your Shark ION ROBOT	15
Emptying the Dust Bin	15
Cleaning the Filters.....	16
Cleaning the Brushroll	17
Cleaning the Cliff Sensors and Charging Pads.....	18
Cleaning the Side Brushes	18
Replacing the Side Brushes	18
Cleaning the Removable Front Wheel.....	19
Replacing the Battery	20
Tips and Tricks.....	21
BotBoundary Strips	22
Troubleshooting Guide	23
Error Codes	23
End User License Agreement	24
Warranty	28

IMPORTANT SAFETY INSTRUCTIONS

PLEASE READ CAREFULLY BEFORE USE • FOR HOUSEHOLD USE ONLY

⚠ WARNING

To reduce the risk of injury, fire, electric shock, and property damage resulting from improper use of the appliance, carefully observe the following instructions. This unit contains electrical connections and moving parts that potentially present risk to the user.

When using an electrical appliance, basic precautions should always be followed, including the following:

- 1** Inspect battery, charging dock, and charger before use. **DO NOT** use battery, dock, or charger if damaged or modified. Damaged or modified batteries may exhibit unpredictable behavior, resulting in fire, explosion, or risk of injury.
- 2 DO NOT** use outdoors or on wet surfaces.
- 3** If vacuum cleaner is not working as it should, or has been dropped, damaged, left outdoors, or immersed in water, return it to SharkNinja Operating LLC for examination, repair, or adjustment.
- 4 DO NOT** handle charger, charging dock, or Shark ION ROBOT™ with wet hands.
- 5** Keep charging dock away from heated surfaces. **DO NOT** expose unit or battery to fire or excessive temperature. Exposure to fire or temperature above 265°F (130°C) may cause explosion.
- 6** Use only Shark® chargers and batteries for your robot. Other types of batteries may burst, causing injury and damage.

GENERAL USE

- 7** Use only as described in this manual.
- 8** Keep your work area well lit.
- 9 DO NOT** place vacuum cleaner on unstable surfaces such as chairs or tables.
- 10 DO NOT** put any objects into openings. **DO NOT** use with any opening blocked; keep free of dust, lint, hair, and anything that may reduce airflow.
- 11 DO NOT** allow young children to operate the appliance or use as a toy. **DO NOT** operate the vacuum in a room where an infant or child is sleeping. Close supervision is necessary when using near children or pets.
- 12 DO NOT** use without brushroll, dust bin, and all filters in place.
- 13 DO NOT** stand or sit on the Shark ION ROBOT.
- 14** Store unit indoors. **DO NOT** use or store unit below 37.4°F (3°C). Ensure unit is at room temperature before operating.
- 15** Clean unit with a damp cloth, using only water.
- 16** Keep hair, loose clothing, fingers, and all parts of body away from all openings and moving parts.

SAVE THESE INSTRUCTIONS

- 17** Before using vacuum cleaner, pick up objects like clothes, paper, and cords for blinds or curtains. Move power cords and fragile objects out of the way. **DO NOT** operate unit in areas where there are lit candles or fragile objects on the floor or on furniture that the unit may accidentally bump into.
- 18** Unit should not be used near balconies or stairs. Use a physical barrier or BotBoundary™ strip to prevent unit from accessing balconies and stairs.
- 19 DO NOT** place anything on top of the unit.
- 20** Take care when walking in work areas to avoid stepping on or tripping over the unit as it moves on its own.
- 21 DO NOT** operate unit on floors with exposed electrical outlets.
- 22** There are no user-serviceable parts. **DO NOT** attempt to service the electronics of this unit, the battery, or the dock.
- 23** Use only on hard-floor surfaces or low-pile carpet. **DO NOT** use on unsealed or unfinished floors.
- 24** To prevent unintentional starting, ensure the main power switch is in the OFF position before connecting to charger or dock, and before picking up or carrying the unit. **DO NOT** carry unit with your finger on the power switch.

FILTERS

- 25** Make sure that all filters are thoroughly dry after routine cleaning.
- 26** Use only Shark®-brand filters and accessories. Using other brands will void warranty.

GENERAL CLEANING

- 27 DO NOT** vacuum up hard or sharp objects such as glass, nails, screws, or coins that could damage the vacuum cleaner.
- 28 DO NOT** vacuum up drywall dust, fireplace ash, or embers.
- 29 DO NOT** vacuum up smoking or burning objects such as hot coals, cigarette butts, or matches.
- 30 DO NOT** vacuum up flammable or combustible materials (e.g., lighter fluid, gasoline, or kerosene) or use vacuum in areas where they may be present.
- 31 DO NOT** vacuum up toxic solutions (e.g., chlorine bleach, ammonia, or drain cleaner).
- 32 DO NOT** use in an enclosed space where vapors are present from paint, paint thinner, moth-proofing substances, flammable dust, or other explosive or toxic materials.
- 33 DO NOT** vacuum up any liquids.
- 34 DO NOT** immerse vacuum cleaner in water or other liquids.

IMPORTANT SAFETY INSTRUCTIONS

PLEASE READ CAREFULLY BEFORE USE • FOR HOUSEHOLD USE ONLY

⚠ WARNING

To reduce the risk of injury, fire, electric shock, and property damage resulting from improper use of the appliance, carefully observe the following instructions. This unit contains electrical connections and moving parts that potentially present risk to the user.

BATTERY AND CHARGING

- 35** Recharge only with the charging dock and charger specified by the manufacturer. A charger that is suitable for one type of battery may create a risk of fire when used with another battery.
- 36 DO NOT** charge at temperatures below 50°F (10°C) or above 104°F (40°C). Charging improperly or at temperatures outside of the specified range may damage the unit and increase the risk of fire.
- 37** Under abusive conditions, liquid may be ejected from the battery; avoid contact. If contact accidentally occurs, flush with water. If liquid contacts eyes, seek medical help. Liquid ejected from the battery may cause irritation or burns.

- 38** Appliance should be serviced only by a qualified repair person using only identical replacement parts. **DO NOT** modify or attempt to repair Shark ION ROBOT™ or charging dock yourself, except as indicated in the instructions for use and care.
- 39** Before disposing of the Shark ION ROBOT, the battery must be removed. To remove, unscrew the battery cover with a Phillips-head screwdriver, then detach the battery from the connector.
- 40** Used batteries must be disposed of or recycled in accordance with local ordinances or regulations. Note that in some areas, it is illegal to place spent lithium-ion batteries in the trash or in a municipal solid waste stream.

SAVE THESE INSTRUCTIONS

CONFORMITY INFORMATION

This equipment has been tested and found to comply with the limits for a Class B digital device, pursuant to part 15 of the FCC Rules. These limits are designed to provide reasonable protection against harmful interference in a residential installation. This equipment generates, uses, and can radiate radio frequency energy, and if not installed and used in accordance with the instructions, may cause harmful interference to radio communications. However, there is no guarantee that interference will not occur in a particular installation. If this equipment does cause harmful interference to radio or television reception (which can be determined by turning the equipment off and on) the user is encouraged to try to correct the interference by one or more of the following measures:

- Reorient or relocate the receiving antenna.
- Increase the distance between the equipment and receiver.
- Connect the equipment into an outlet on a circuit different from that to which the receiver is connected.
- Consult the dealer or an experienced radio/TV technician for help.

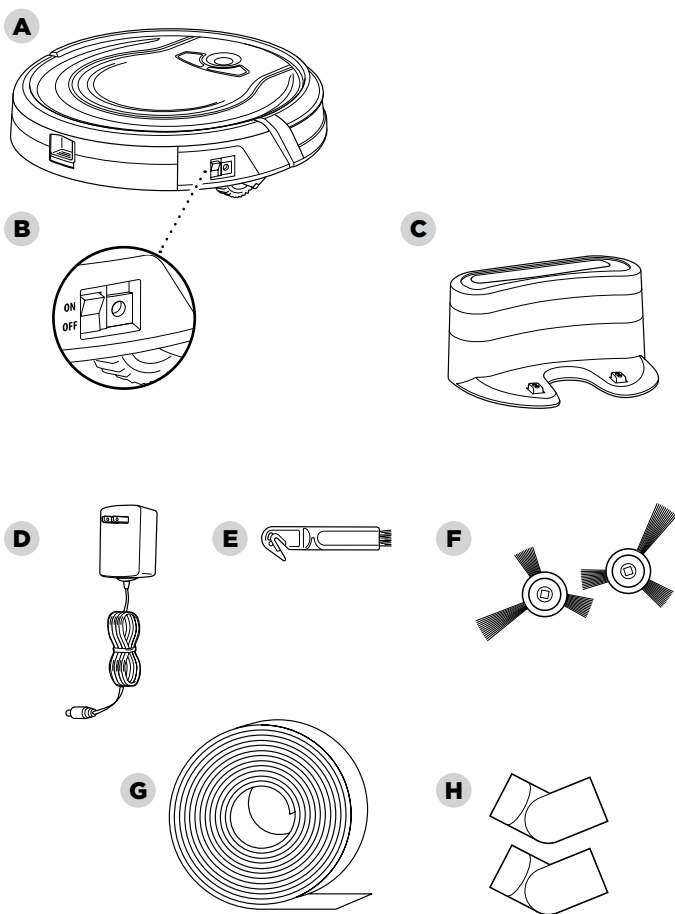
Changes or modifications not expressly approved by the party responsible for compliance could void the user's authority to operate the equipment.

GETTING TO KNOW YOUR SHARK ION ROBOT™

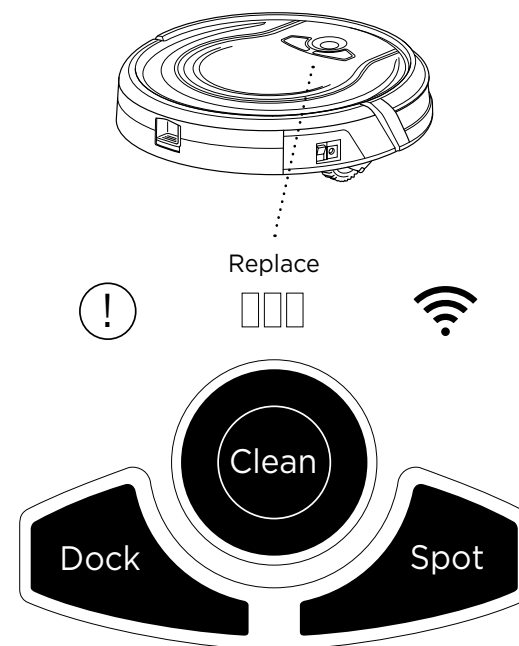
WELCOME!

Congratulations on your purchase. Use this instruction manual to learn about your new vacuum's great features. From assembly to use to maintenance, you will find it all in here.

NOTE: When using for the first time, fully charge and discharge your Shark ION ROBOT to condition the battery. Failure to do so may cause LED indications to work incorrectly.



- | | |
|----------------------------|--------------------------------------|
| A Shark ION ROBOT | E Hair Removal Tool |
| B Main Power Switch | F Side Brush (x2) |
| C Charging Dock | G BotBoundary™ Strip |
| D Charger | H BotBoundary Connectors (x2) |



CLEAN BUTTON

To begin cleaning with your Shark ION ROBOT™, press the **CLEAN** button. Press button again to stop.

DOCK BUTTON

Press **DOCK** button to stop cleaning and send the unit back to the charging dock.

SPOT BUTTON

For thorough cleaning of an area of concentrated dust or debris, press the **SPOT** button.

BATTERY CHARGE INDICATOR LIGHTS

The indicator lights display the amount of charge remaining in the battery. See page 10 for more details.

“!” ERROR INDICATOR

When a blockage or a filter problem occurs, the “!” error indicator light will illuminate. Clear any blockages and clean filters. Remove dust bin and make sure nothing is blocking suction. See page 21 for a full list of error codes.

WI-FI INDICATOR

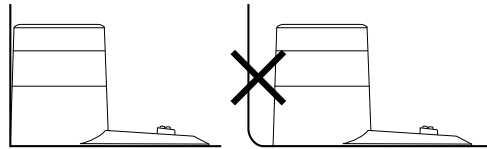
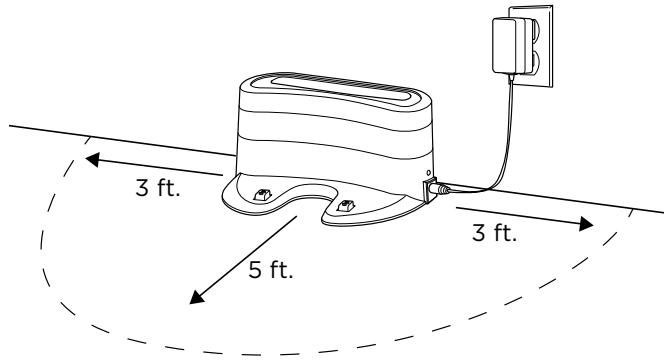
Illuminates blue when unit is connected to Wi-Fi. If the icon illuminates red, the connection has been lost. When the icon is flashing blue, the robot is in setup mode. When the icon is off, the robot has not been set up to connect to the Internet.

CHARGING YOUR SHARK ION ROBOT™

★ **IMPORTANT:** Install the charging dock in a location that can be easily accessed by your Shark ION ROBOT.

Always keep the charging dock plugged in, or the Shark ION ROBOT will not be able to automatically return to the base.

The Shark ION ROBOT will beep when it is first connected to power or when it starts charging on the dock.



RECYCLING YOUR BATTERY

When your robot's battery needs to be replaced, dispose of it or recycle it in accordance with local ordinances or regulations. In some areas, it is illegal to place spent lithium-ion batteries in the trash or in a municipal solid waste stream. Return spent batteries to an authorized recycling center or to retailer for recycling. Contact your local recycling center for information on where to drop off the spent battery.

INSTALLING THE CHARGING DOCK

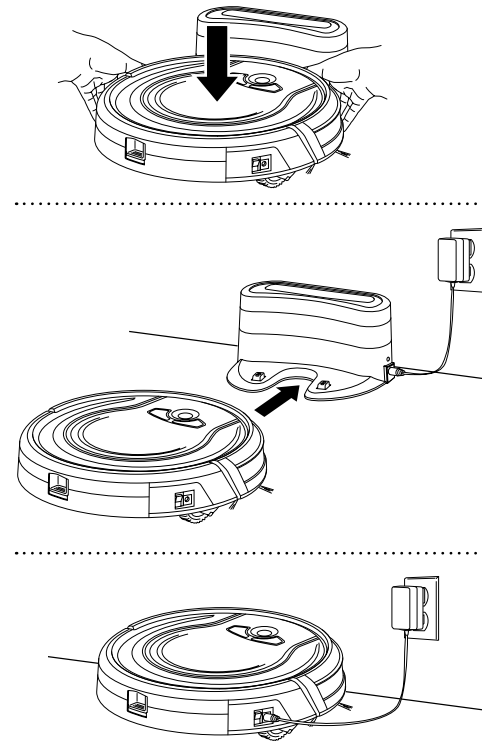
Set the charging dock on a hard, level surface, with its back against the wall. Remove any objects that are closer than 3 feet (1 meter) from either side of the base, or closer than 5 feet (1.52 meters) from the front of the base. Plug the charging cable into the port on the side of the dock, and connect the charger plug to a wall outlet.

IMPORTANT CHARGING INFORMATION

The Shark ION ROBOT has a pre-installed rechargeable battery. Battery must be fully charged before using. The Power switch must be in the ON position in order to charge the battery.

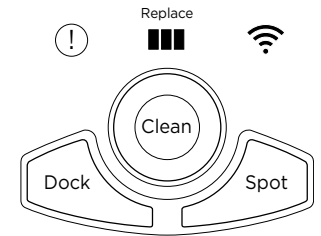
When the cleaning cycle is complete or the battery is running low, Shark ION ROBOT will automatically return to the charging dock.

If your unit doesn't return to the dock, the battery charge may have run out. See charging instructions on page 10.



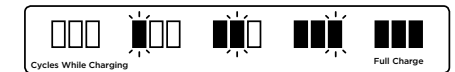
Shark ION ROBOT™ can be charged three different ways:

- 1 Manually place Shark ION ROBOT on the charging dock, aligning its charging pads with the charging contacts on the base.
- 2 Using the app, press the **DOCK** button to automatically send Shark ION ROBOT to the charging dock.
- 3 To charge unit directly, plug the charger into a wall outlet, then connect the charger cable to the jack on the side of the Shark ION ROBOT.



BATTERY CHARGE INDICATOR LIGHTS

While the battery is charging, all three blue LED lights will cycle until fully charged.



As the unit cleans, its battery discharges. The blue lights indicate how much charge is remaining.



If the red "Replace" light is on, then the battery needs to be replaced. See page 20 for more information. If all the battery indicator lights are off, then either the power switch is turned off or there is no charge remaining. Turn the Power switch to the ON position. If all indicator lights remain off, then charge the unit directly, using the charger.

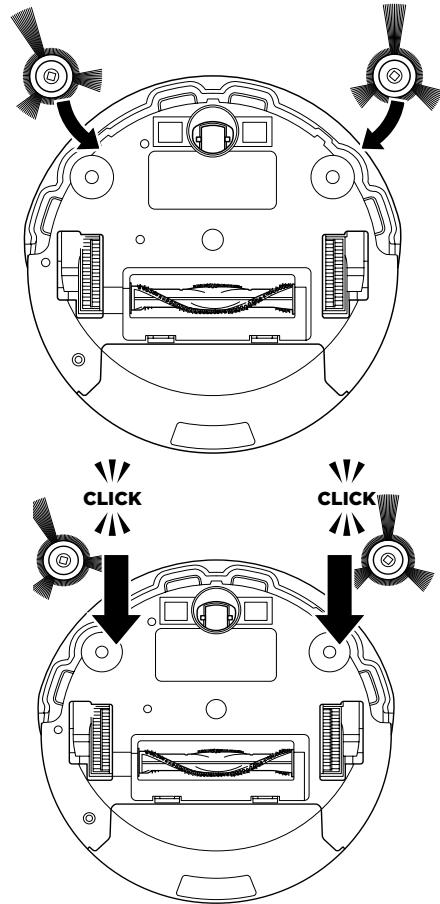
★ **NOTE:** Some carpets may cause the robot to malfunction due to pile height.

★ **IMPORTANT:** Before cleaning an entire room for the first time, we recommend that you first test your unit on a small section of the floor to ensure there is no scratching.

★ **IMPORTANT:** Shark ION ROBOT uses cliff sensors to avoid stairs and other steep drops. Sensors may work less effectively when they are dirty. For best results, clean sensors as needed.

💡 **TIP:** Turn off the power switch if Shark ION ROBOT will not be used for a long period of time.

💡 **TIP:** To preserve battery life, unit should be recharged at least once every three months.



INSTALLING THE SIDE BRUSHES

- 1 Turn the unit over.
- 2 Align hole in center of side brush over brush post on bottom of unit.
- 3 Press side brush down over the post until it snaps into place.

Download on the
App Store



GET IT ON
Google Play

DOWNLOADING THE SHARK APP

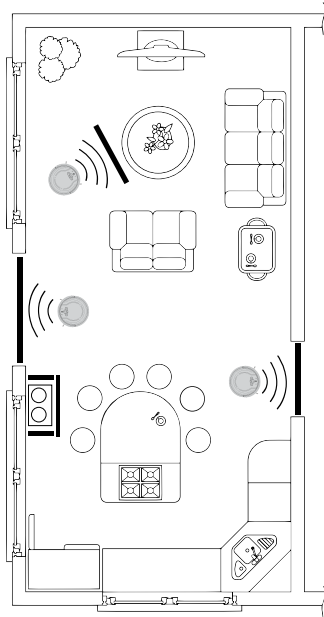
The app will guide you through easy setup of your Shark ION ROBOT, and allow you to schedule cleaning times and to control the unit remotely.

The app will also provide access to:

- Tips, Tricks, and FAQs
- Tech Support
- Troubleshooting

NOTE: Before cleaning, the robot's power must be turned on. Press the top of the power switch on the side of the unit to turn on power.

TIP: Shark ION ROBOT will automatically return to the charging dock when the battery level is low.



BOTBOUNDARY™ STRIPS

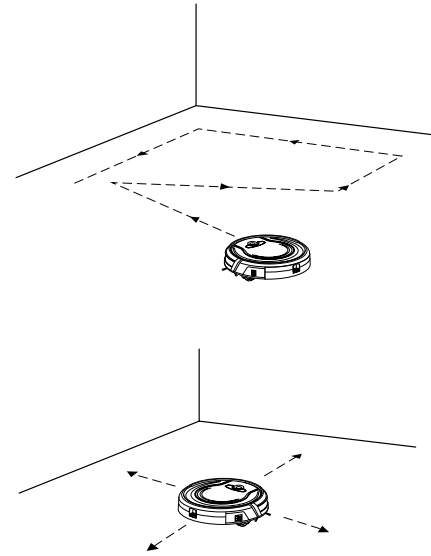
You may need to keep Shark ION ROBOT away from certain areas, such as pet bowls, fragile objects, power strips, or doorways. Use the BotBoundary strips to quickly and easily create “no-go zones” to keep Shark ION ROBOT out of the areas you would like it to avoid.

- 1 Identify areas or objects you want Shark ION ROBOT to avoid. Cut the BotBoundary strip to the desired length so that it covers the entire perimeter of an object or spans the length of the doorway you want to block off.

With the provided connecting joints, you can shape the strips to fit your needs. Insert the ends of the strips into the connecting joints to form angles and create customized boundaries. You can connect up to four BotBoundary strips at a time.

- 2 Place the strips on the floor or under an area rug to create perimeters around the objects and areas you'd like to block.

NOTE: If blocking an object, place the BotBoundary strip two inches in front to ensure ION ROBOT will not bump into it.



CLEANING MODES

Manual Start/Stop

You can manually start and stop Shark ION ROBOT™.

- 1 To start cleaning, press the **CLEAN** button on Shark ION ROBOT or the **CLEAN/ENTER** button on the mobile app. Shark ION ROBOT selects different cleaning modes and automatically operates until cleaning is complete.
- 2 To stop the unit before it automatically finishes cleaning and returns to dock, press the **CLEAN** button on Shark ION ROBOT or the **CLEAN/ENTER** button on the mobile app.

Spot Cleaning

In Spot mode, Shark ION ROBOT will thoroughly clean an area in a spiral pattern. Use Spot mode to clean a concentrated area of dust or debris.

- 1 To start cleaning in Spot mode, press the **SPOT** button on Shark ION ROBOT or on the mobile app.

SENDING SHARK ION ROBOT TO CHARGING DOCK

To return the unit to the Charging Dock, press the **DOCK** button on the unit or on the mobile app.

MAINTAINING YOUR SHARK ION ROBOT™

⚠ WARNING: Wash the dust bin and filter cover with water only. Be sure to air-dry them completely before reassembling. **DO NOT** wash the HEPA filter with water, as it may damage the filter and reduce suction power.

⚠ CAUTION: Turn off power before performing any maintenance.

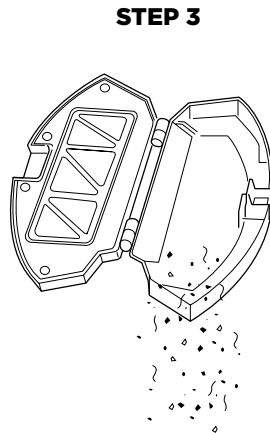
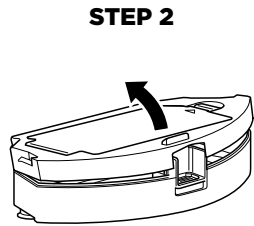
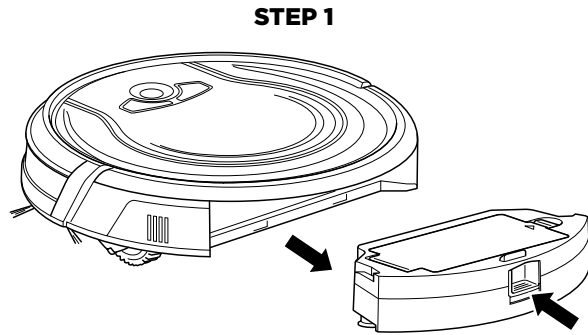
💡 TIP: For best results, empty the dust bin after every cleaning.

RECOMMENDED CLEANING SCHEDULE:

- Dust Bin**
Empty after each use
- Main Brushroll**
Check weekly
- Side Brushes**
Check weekly
- Dust Bin Filter**
Clean weekly
- Front Caster Wheel**
Remove and clean weekly

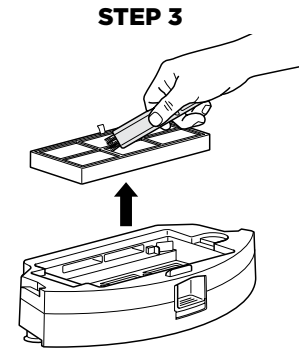
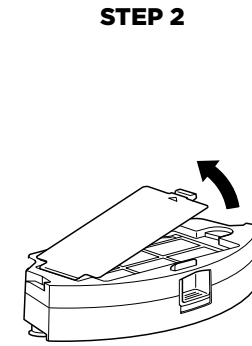
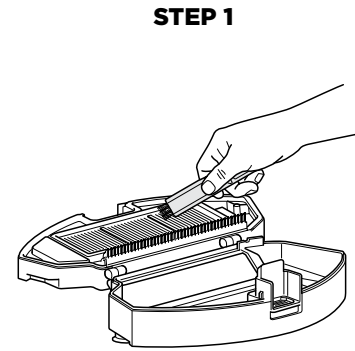
RECOMMENDED REPLACEMENT SCHEDULE:

- Main Brushroll**
Every 6–12 months
- Side Brushes**
When visibly worn
- Dust Bin Filter**
Every 2 months
- Front Caster Wheel**
Every 12 months

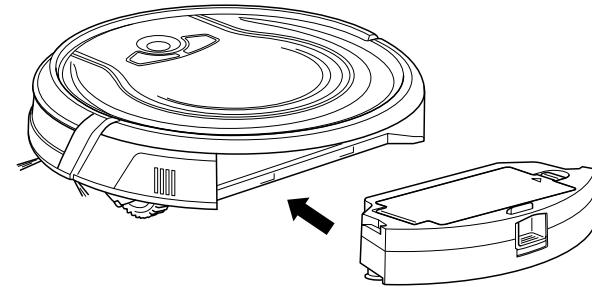


EMPTYING THE DUST BIN

- 1** Press the dust bin removal latch and slide out the dust bin.
- 2** Open the dust bin.
- 3** Empty debris and dust into trash.



STEP 4

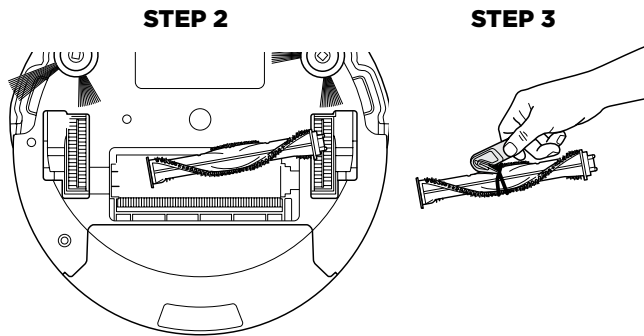
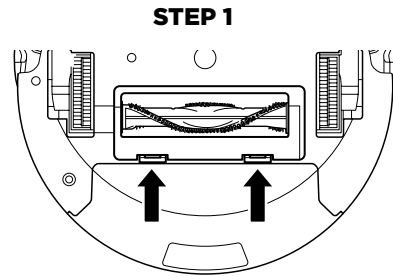


CLEANING THE FILTERS

- 1** With the dust bin out of the unit, clear hair from the Anti-Tangle Comb on the dust bin.
- 2** Press the filter door release button to open the door and remove the filters.
- 3** Clean the dust bin and filters with a cleaning brush.
- 4** Replace the filters and the filter cover. Close the dust bin and slide it back into Shark ION ROBOT™.

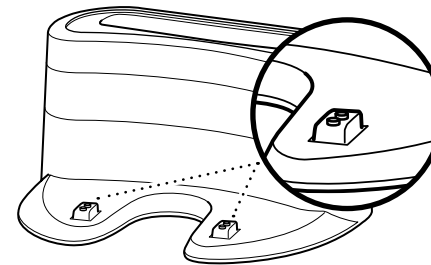
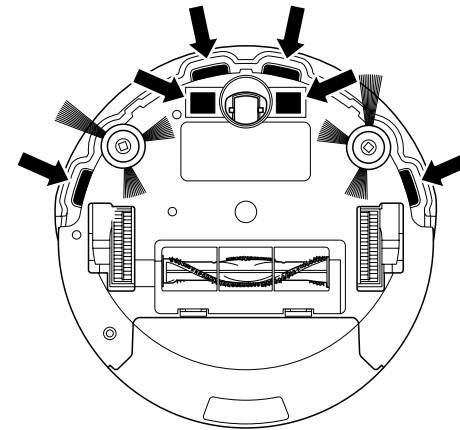
⚠ CAUTION: Turn off power before performing any maintenance.

★ NOTE: When cleaning brushroll, be sure to not cut anything other than hair, string, fibers, or other debris.



CLEANING THE BRUSHROLL

- 1 Push up on the tabs on the brushroll access door, then lift off the door.
- 2 Remove the brushroll.
- 3 Clean the brushroll with the provided hair removal tool.
- 4 To reinstall the brushroll, insert the flat end first, then the protruding end, then click brushroll securely into place.
- 5 Close the brushroll access door and press down until it clicks into place.



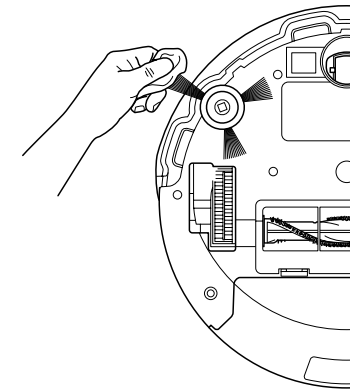
CLEANING THE CLIFF SENSORS AND CHARGING PADS

For best results, clean cliff sensors and charging pads periodically as needed. With a cloth or a cleaning brush, gently dust off the sensors and pads.

CLEANING THE SIDE BRUSHES

The side brushes need regular cleaning, as dirt may adhere to them and hair and fibers can easily get tangled in them.

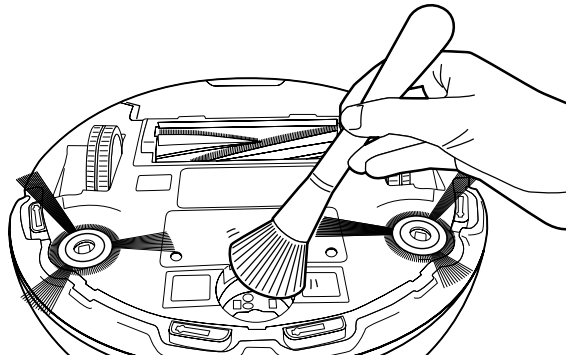
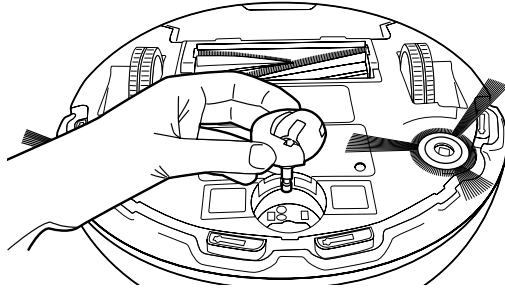
- 1 Carefully unwind and remove string and hair from side brushes.
- 2 Gently wipe side brushes with a damp cloth. Be sure to let them air-dry completely before replacing them.



REPLACING THE SIDE BRUSHES

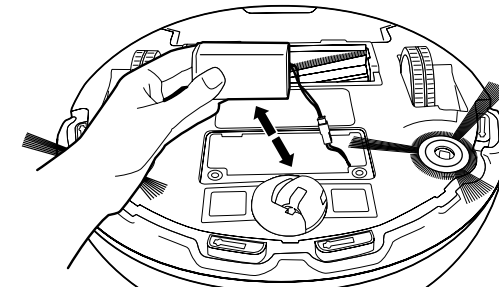
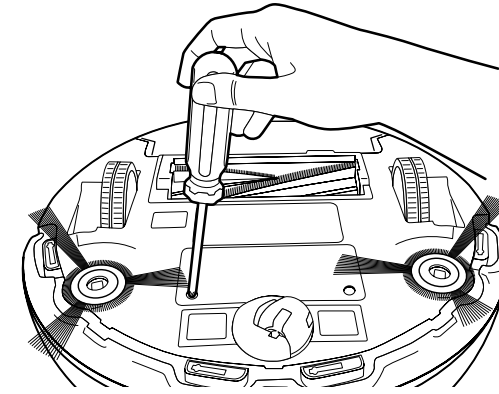
To remove a bent or damaged side brush, pull it off its post. To install new side brush, align hole in center of brush over post on bottom of unit. Press side brush down over the post until it clicks into place.

⚠ CAUTION: Turn off power before performing any maintenance.



CLEANING THE REMOVABLE FRONT WHEEL

The sensor below the removable rotating front wheel on the bottom of the unit should be cleaned once a week. Pull out the wheel and carefully dust the sensor in the cavity below. Replace the wheel and push it in until it clicks into place.



REPLACING THE BATTERY

When the battery needs replacement, the red “Replace” light will illuminate.

To remove the battery, turn the unit over and unscrew the battery cover with a Phillips-head screwdriver. Unplug the old battery from its connector, then plug in the new battery. Replace battery cover and screw it back into place.

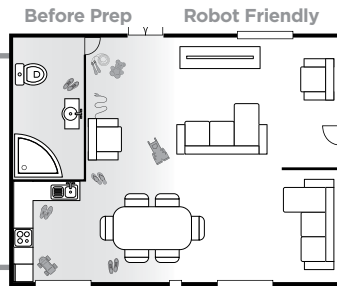
Replacement batteries can be purchased at sharkaccessories.com

TIPS AND TRICKS FOR GREAT PERFORMANCE

Your Shark ION ROBOT™ is designed with **Smart Sensor** technology so it can clean all areas of your floors and navigate its way out of tight spaces. During your first few cleanings, you may need to make some small adjustments to optimize your robot's performance.

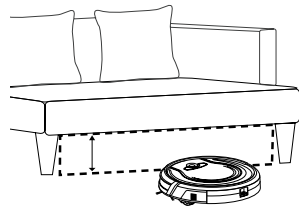
CORDS AND OBSTRUCTIONS

Always prep your home before cleaning. Some furniture or loose cords may create problems for your robot. Clear away cords and obstructions or block off the area with the included BotBoundary™ strips.



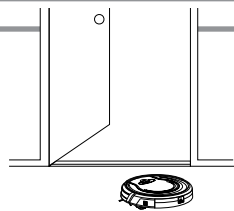
LOW-CLEARANCE FURNITURE

Your robot may find its way under furniture with low clearance, but not be able to free itself. Use furniture risers to increase clearance, or create a no-go zone with the included BotBoundary strips.



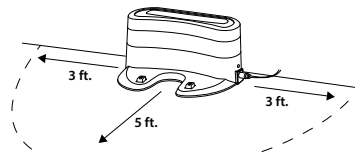
DOORWAY THRESHOLDS

Your robot can easily climb over most common thresholds. However in some situations they may present a challenge. Use the included BotBoundary strips to block off these areas.



RETURNING TO DOCK

Make sure the dock is set up as shown. If your robot roams too far, it could have trouble finding the dock. It may be helpful to block off part of your home with the included BotBoundary strips, or to add a second dock (available at sharkaccessories.com)

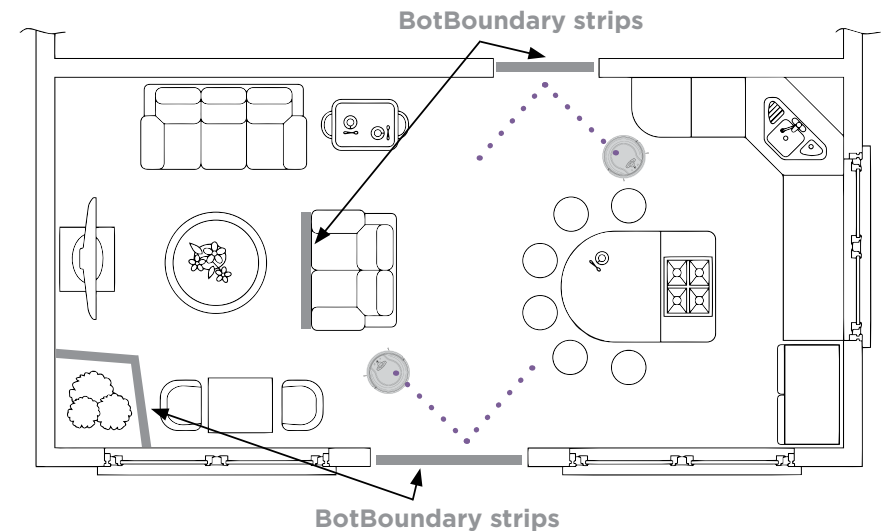
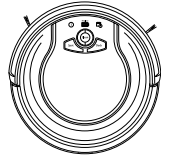


Tip: You can use the included connectors to create angles with your included BotBoundary strips.

PREPPING YOUR HOME USING BOTBOUNDARY™ STRIPS

Use the BotBoundary strips to quickly and easily create “no-go zones” to keep your robot out of the areas you would like it to avoid. These may include:

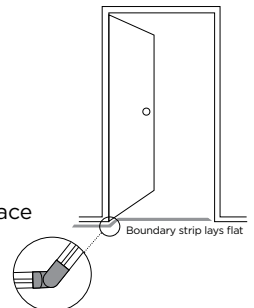
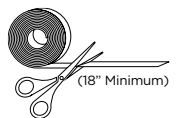
- Near power cords that might cause tangles
- Hallways where you'd rather your robot not travel
- Around furniture with low clearance that may trap your robot



USAGE INSTRUCTIONS

1. Cut the BotBoundary strip to the desired length, 18" Minimum, so it covers the entire perimeter of an object or spans the length of the doorway you'd rather your robot not cross.
2. Simply lay the BotBoundary strip flat on the floor or under an area rug. For best results, make sure your BotBoundary strip is completely flat against the floor.
3. With the provided connectors, you can create angles to customize the BotBoundary strips to fit your home.

When setting up your BotBoundary strips it is useful to either make a closed loop around an object using the included connectors or to place them between fixed objects, like door frames or legs of a couch.



⚠ WARNING: Always turn off Power switch before performing any maintenance.

If any error lights are illuminated or flashing on your Shark ION ROBOT™, see the error code chart below:

ERROR CODE	SOLUTION
All LED lights are off	Unit is turned off. Cycle power switch. If no response, plug in to charge unit.
Red “Replace” LED light is on	Your battery is ready to be replaced. Visit sharkclean.com for replacement
DOCK and SPOT alternate flashing	A side brush is stuck. Remove debris from side brushes.
DOCK and SPOT flashing together	Something is stuck in the main brushroll. Remove obstruction.
CLEAN flashing blue	The front wheel sensor, drop sensor, or bumper is reporting an error. Make sure your robot is able to move freely by moving it to a new location on a level surface. Make sure the front bumper is not stuck. If Clean light continues to flash blue, remove the front wheel and clean the wheel cavity.
SPOT flashing blue	The unit cannot move due to surface or obstruction. Move robot to a new location.
CLEAN flashing red	Cliff sensors are reporting an error. Wipe cliff sensors with a clean cloth. Robot cannot start due to an error. Ensure your robot is on a level surface with no obstructions.
“!” symbol flashing	Suction motor failure. Remove blockages and clean filters. Remove dust bin and make sure nothing is blocking suction.
CLEAN flashing red and “!” stays solid red	Your charger is experiencing an issue. Please contact Customer Service at 1-800-798-7398.
“!” and CLEAN symbols flashing	Your robot’s BotBoundary™ sensors are reporting an error. Please contact Customer Service at 1-800-798-7398.
CLEAN solid red	The dust bin has been removed and needs to be reinserted.
CLEAN solid blue	Your robot is in sleep mode. Press any button on the robot or remote to start it again.

IMPORTANT: PLEASE READ THE TERMS AND CONDITIONS OF THIS LICENSE AGREEMENT CAREFULLY BEFORE CONTINUING WITH THIS PROGRAM INSTALL OR USE OF THIS PRODUCT:

SharkNinja Operating LLC’s (“SharkNinja”) End-User License Agreement (“EULA”) is a legal agreement between You (either a single entity or an individual) and SharkNinja for SharkNinja’s Software Applications, including those installed by You onto your SharkNinja products or already installed on your device, including all firmware (referred hereafter as “SN APPS”). By installing, copying, checking a box, clicking a button confirming your agreement to these terms, or otherwise continuing to use the SN APPS, You agree to be bound by the terms of this EULA. This license agreement represents the entire agreement concerning SN APPS between You and SharkNinja, and it supersedes any prior proposal, representation, or understanding between the parties. If You do not agree to the terms of this EULA, do not install or use the SN APPS or this product.

The SN APPS are protected by copyright laws and international copyright treaties, as well as other intellectual property laws and treaties.

1. GRANT OF LICENSE. The SN APPS are licensed as follows:

1.1 Installation and Use. SharkNinja grants You the right to download, install, and use SN APPS on the specified platform for which the SN APP was designed and in connection with SharkNinja products with which the SN APPS are designed to operate (“SN Devices”).

1.2 Backup Copies. You may also make a copy of SN APPS downloaded and installed by You for backup and archival purposes.

2. DESCRIPTION OF OTHER RIGHTS AND LIMITATIONS.

2.1 Maintenance of Copyright Notices. You must not remove or alter any copyright notices on any and all copies of the SN APPS.

2.2 Distribution. You may not distribute copies of the SN APPS to third parties.

2.3 Prohibition on Reverse Engineering, Decompilation, and Disassembly. You may not reverse engineer, decompile, or disassemble SN APPS, except and only to the extent that such activity is expressly permitted by applicable law notwithstanding this limitation.

2.4 Rental. You may not rent, lease, or lend SN APPS without written permission from SharkNinja.

2.5 NOT FOR RESALE SOFTWARE. Applications identified as “Not for Resale” or “NFR,” may not be resold, transferred, or used for any purpose other than demonstration, test, or evaluation.

2.6 Support Services. SharkNinja may provide You with support services related to SN APPS (“Support Services”). Any supplemental software code provided to You as part of the Support Services shall be considered part of SN APPS and subject to the terms and conditions of this EULA.

2.7 Compliance with Applicable Laws. You must comply with all applicable laws regarding use of SN APPS.

END-USER LICENSE AGREEMENT FOR SHARKNINJA SOFTWARE - cont'd.

3. UPDATES. SharkNinja may provide You with upgrades or updates to SN APPS. This EULA will govern any upgrades provided by SharkNinja that replace and/or supplement SN APPS, unless such upgrade is accompanied by a separate EULA, in which case the terms of that EULA will govern. If You decide not to download and use an upgrade or update provided by SharkNinja, You understand that You could put SN Apps at risk to serious security threats or cause SN Apps to become unusable or unstable.

4. DATA AND PRIVACY. SharkNinja is committed to ensuring your privacy by adhering to high standards of fairness and integrity. We are committed to keeping our customers informed about how we use the information we gather from You through the use of each of our websites or SN APPS. Our privacy practices are described in SharkNinja's Privacy Policy, as well as in separate notices given when an app, product, or service is purchased or downloaded. By using SN APPS or providing us with your personal information, You are accepting and consenting to the practices, terms, and conditions described in SharkNinja's Privacy Policy. At all times your information will be treated in accordance with the SharkNinja Privacy Policy, which is incorporated by reference into this EULA and can be viewed at the following URL: <http://www.sharkninja.com/privacypolicy>.

5. THIRD-PARTY APPLICATION LIBRARIES AND EMBEDDED SOFTWARE.

5.1 You acknowledge that Ayla Networks, Inc. ("Ayla") has provided certain application libraries that have been embedded into SN APPS ("Ayla Application Libraries") and enables SN Devices to connect to the Ayla Cloud Service ("Ayla Embedded Software").

5.2 You will not use the Ayla Application Libraries except as an incorporated portion of SN APPS, unmodified from the form provided to You.

5.3 You will not use the Ayla Embedded Software except as an incorporated portion of SN Devices, unmodified from the form provided to You.

5.4 You will not modify, adapt, translate, or create derivative works based on, or decompile, disassemble, reverse engineer, or otherwise attempt to derive the source code or underlying algorithms of, the Ayla Application Libraries or the Ayla Embedded Software.

5.5 SharkNinja retains all ownership of SN APPS (and the Ayla Application Libraries contained therein) and any software installed on SN Devices (including the Ayla Embedded Software) and only a license thereto is granted to You for use in connection with the SN APPS and SN Devices.

5.6 You will not use the Ayla Application Libraries or Ayla Embedded Software to attempt to gain unauthorized access to or use of the systems/services of SharkNinja's other licensors; nor will You transmit viruses, worms, Trojan horses, time bombs, spyware, malware, cancelbots, passive collection mechanisms, robots, data mining software, or any other malicious or invasive code or program into the systems/services of SharkNinja's other licensors.

5.7 You will not use the Ayla Application Libraries or Ayla Embedded Software to interfere with, breach, or circumvent any security feature, authentication feature, or any other feature that restricts or enforces limitations on the use of, or access to, the systems/services of SharkNinja's other licensors.

5.8 You will not probe, attack, scan, or test the vulnerability of the systems/services of SharkNinja's other licensors.

5.9 SharkNinja's other licensors of the SN APPS, Ayla Application Libraries, and the Ayla Embedded Software are the express third-party beneficiaries of this EULA, and the provisions of this Section of this EULA are made expressly for the benefit of such licensors, and are enforceable by such licensors.

END-USER LICENSE AGREEMENT FOR SHARKNINJA SOFTWARE - cont'd.

6. TERMINATION. Without prejudice to any other rights, SharkNinja may terminate this EULA if You fail to comply with the terms and conditions of this EULA. In such event, You must destroy all copies of SN APPS in your possession.

7. COPYRIGHT. All title, including but not limited to copyrights, in and to SN APPS and any copies thereof are owned by SharkNinja or its suppliers. All title and intellectual property rights in and to the content which may be accessed through use of SN APPS are the property of the respective content owner and may be protected by applicable copyright or other intellectual property laws and treaties. This EULA grants You no rights to use such content. All rights not expressly granted are reserved by SharkNinja.

8. OPEN SOURCE SOFTWARE. You hereby acknowledge that SN APPS may contain software that is subject to "open source" or "free software" licenses ("Open Source Software"). The license granted by this EULA does not apply to Open Source Software contained in the SN APPS. Rather, the terms and conditions in the applicable Open Source Software license shall apply to the Open Source Software. Nothing in this EULA limits your rights under, or grants You rights that supersede, any Open Source Software license. You acknowledge that the Open Source Software license is solely between You and the applicable licensor of the Open Source Software. To the extent the terms of the licenses applicable to the Open Source Software require SharkNinja to make an offer to provide the Open Source Software, such offer is hereby made, and You may exercise it by contacting SharkNinja at the below address.

9. NO WARRANTIES. SharkNinja expressly disclaims any warranty for SN APPS, Ayla Application Libraries, or Ayla Embedded Software. SN APPS, Ayla Application Libraries, and Ayla Embedded Software are provided 'As Is' without any express or implied warranty of any kind, including but not limited to any warranties of merchantability, noninfringement, fitness of a particular purpose, or title. SharkNinja does not warrant or assume responsibility for the accuracy or completeness of any information, text, graphics, links, or other items contained within the SN APPS. SharkNinja makes no warranties respecting any harm that may be caused by the transmission of a computer virus, worm, logic bomb, or other such computer program. SharkNinja further expressly disclaims any warranty or representation to any third party.

10. LIMITATION OF LIABILITY. In no event shall SharkNinja or its suppliers be liable for any special, incidental, punitive, indirect, or consequential damages whatsoever (including, but not limited to, damages for loss of profits or confidential or other information, for business interruption, for personal injury, for loss of privacy, for failure to meet any duty including of good faith or of reasonable care, for negligence, and for any other pecuniary or other loss whatsoever) arising out of or in any way related to the use of or inability to use SN Devices or SN APPS, the provision of or failure to provide support or other services, information, software, and related content through the product or otherwise arising out of the use of SN APPS, or otherwise under or in connection with any provision of this EULA, even in the event of the fault, tort (including negligence), strict liability, breach of contract, or breach of warranty of SharkNinja or any supplier, and even if SharkNinja or any supplier has been advised of the possibility of such damages. SharkNinja shall have no liability with respect to the content of the SN APPS or any part thereof, including but not limited to errors or omissions contained therein, libel, infringements of rights of publicity, privacy, trademark rights, business interruption, personal injury, loss of privacy, moral rights, or the disclosure of confidential information.

END-USER LICENSE AGREEMENT FOR SHARKNINJA SOFTWARE - cont'd.

11. APPLICABLE LAW. The laws of the Commonwealth of Massachusetts will govern this EULA and You hereby consent to exclusive jurisdiction and venue in the state and federal courts sitting in the Commonwealth of Massachusetts.

12. ASSIGNMENT. SharkNinja may assign this EULA without notice to Licensor.

13. ENTIRE AGREEMENT. This EULA (including any addendum or amendment to this EULA which is included with the SN Devices) is the entire agreement between You and SharkNinja relating to the SN APPS and supersedes all prior or contemporaneous oral or written communications, proposals and representations with respect to the SN APPS or any other subject matter covered by this EULA. To the extent the terms of any SharkNinja policies or programs for support services conflict with the terms of this EULA, the terms of this EULA shall control.

If You have questions regarding this EULA, please contact SharkNinja at 89 A Street, Suite 100, Needham, MA 02494.

Shark NINJA ONE (1) YEAR LIMITED WARRANTY

The 1-Year Limited Warranty applies to purchases made from authorized retailers of **SharkNinja Operating LLC**. Warranty coverage applies to the original owner and to the original product only and is not transferable. Power pack is not covered by 1-year warranty.

SharkNinja warrants that the unit shall be free from defects in material and workmanship for a period of 1 year from the date of purchase when it is used under normal household conditions and maintained according to the requirements outlined in this instruction manual, subject to the following conditions and exclusions.

What is covered in my warranty?

1. The original unit and/or non-wearable components deemed defective, in SharkNinja's sole discretion, will be repaired or replaced for up to 1 year from the original purchase date.
2. In the rare event that a replacement unit is issued, the warranty coverage ends six months following the receipt date of the replacement unit or the remainder of the existing warranty, whichever is greater. If the unit is replaced, SharkNinja reserves the right to replace the unit with one of equal or greater value.

What is not covered in my warranty?

Our Customer Service/Product Specialists are available to provide all the warranty service options available to you, including the possibility of upgrading to our VIP Warranty Service Options for select product categories.

1. Normal wear and tear of wearable parts such as foam filters, HEPA filters, pads etc., which require regular maintenance and/or replacement to ensure the proper functioning of your unit are not covered by this warranty.
2. Any unit that has been tampered with or used for commercial purposes.
3. SharkNinja will cover the cost for the customer to send in the unit to us for repair or replacement. A fee of \$24.95 for return shipping costs will be charged at the time of return shipment of the repaired or replacement unit.
4. Damage caused by misuse, abuse, or negligent handling, or damage due to mishandling in transit.
5. Consequential and incidental damages.
6. Defects caused by or resulting from damages from shipping or from repairs, service or alteration to the product or any of its parts which have been performed by a repair person not authorized by SharkNinja.
7. Products purchased, used or operated outside of North America.

Problems with your unit/How to get service

If your appliance fails to operate properly while in use under normal household conditions within the warranty period, visit sharkclean.com for product care/maintenance self-help. Our Customer Service and product specialists are also available at 1-800-798-7398 to assist with product support and warranty service options.

How to initiate a warranty claim

You can call 1-800-798-7398 to have a Customer Service specialist assist you. Please note you must call 1-800-798-7398 to initiate a warranty claim. Return and Packing Instruction information will be provided at that time.

For Customer Service hours, visit sharkclean.com

Replacement parts are available for purchase at sharkclean.com. For more information on which parts are classified as wearable and non-wearable, please visit sharkclean.com/warranty

This warranty gives you specific legal rights, and you also may have other rights that vary from state to state.

Some states do not permit the exclusion or limitation of incidental or consequential damages, so the above may not apply to you.



SharkNinja Operating LLC
US: Needham, MA 02494
CAN: Ville St-Laurent, QC H4S 1A7
1-800-798-7398
sharkclean.com

Illustrations may differ from actual product. We are constantly striving to improve our products; therefore the specifications contained herein are subject to change without notice.

SHARK is a registered trademark of SharkNinja Operating LLC.

BOTBOUNDARY and SHARK ION ROBOT are trademarks of SharkNinja Operating LLC.

APPLE and the Apple logo are trademarks of Apple Inc., registered in the U.S. and other countries. APP STORE is a service mark of Apple Inc., registered in the U.S. and other countries.

GOOGLE PLAY and the Google Play logo are trademarks of Google Inc.

For SharkNinja U.S. Patent information, visit sharkninja.com/USPatents

