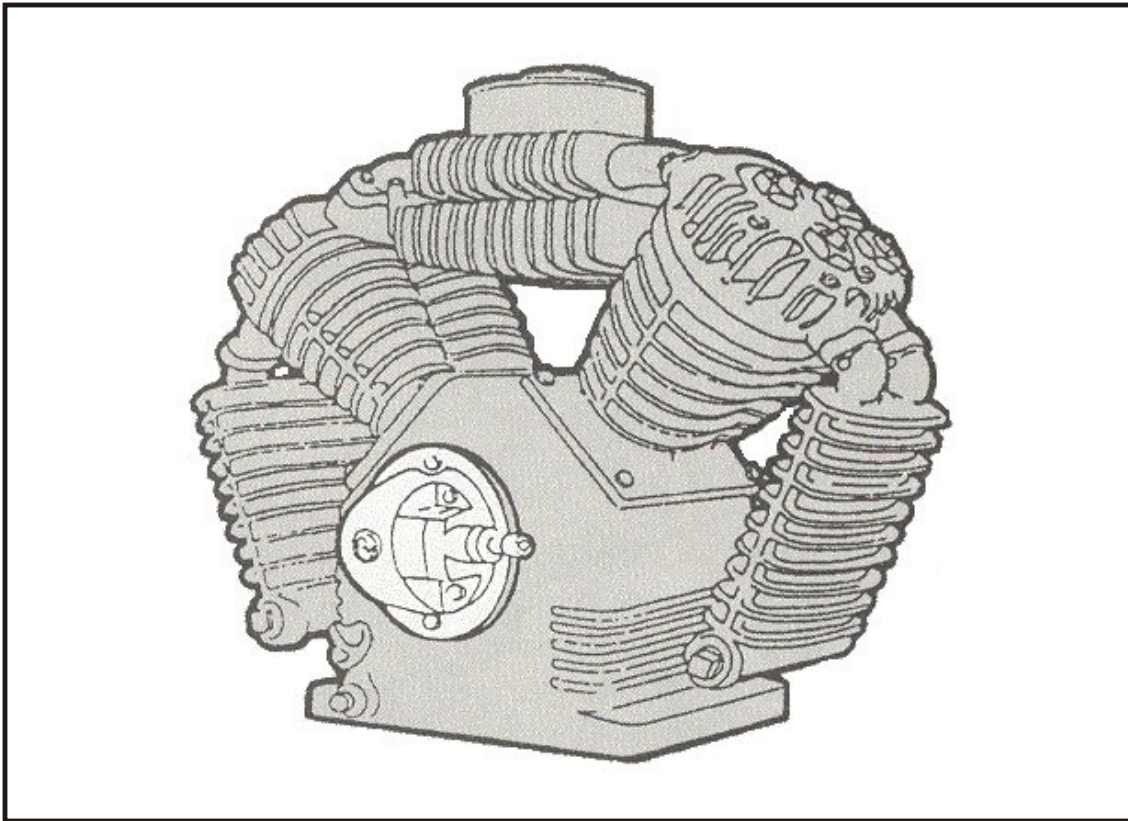


440 Series Compressor Pump

Note: This Pump is obsolete. Please contact your local DV Systems Distributor for Parts and/or a newer replacement Pump.



Warning: Check for proper oil level before using this equipment.

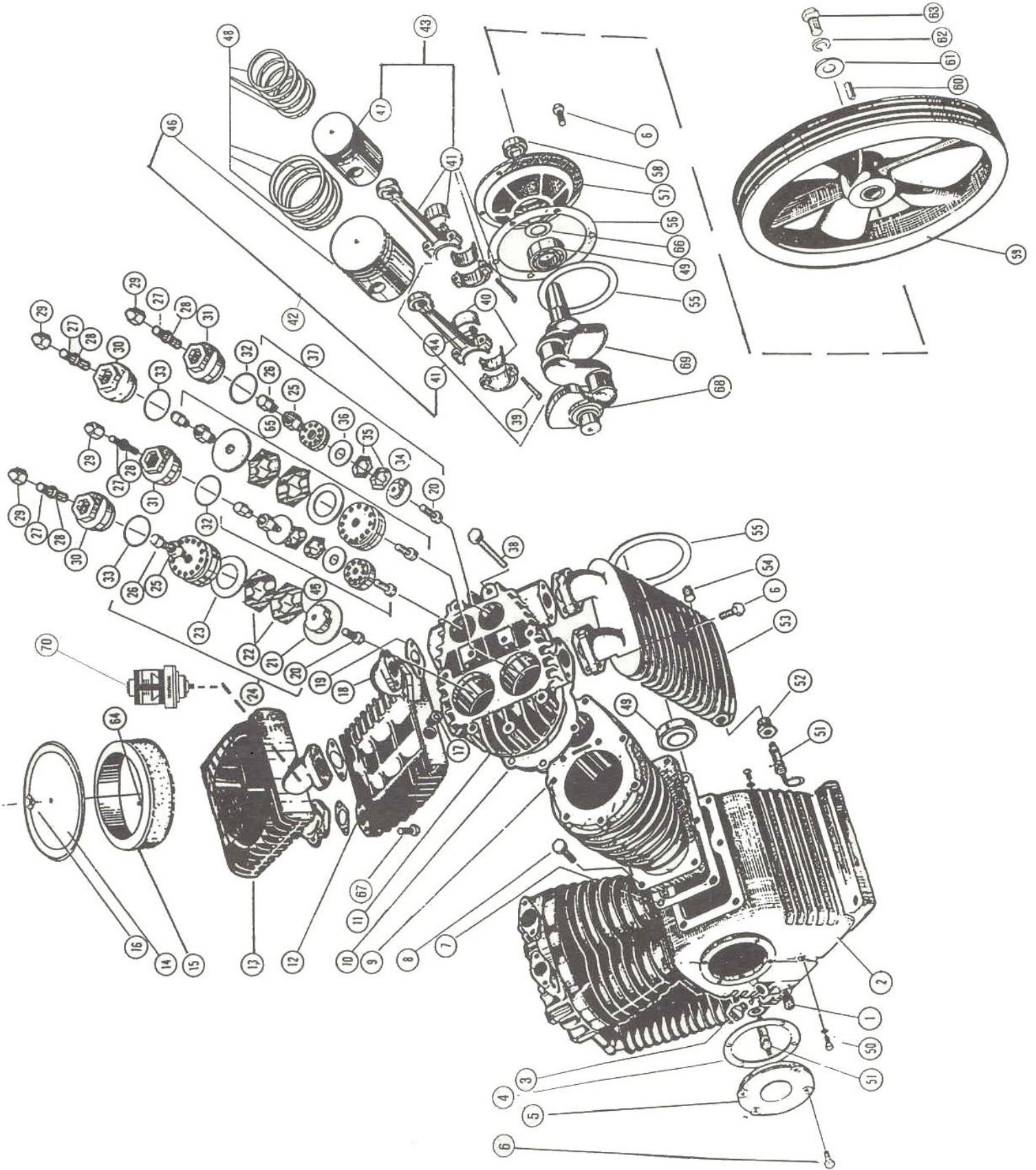
Use 'PR20' 20 weight non-detergent oil for ambient temperatures between 40° and 90°F.
Use 'PR30' 30 weight non-detergent oil for ambient temperatures above 90°F.

Specifications:	Crankcase Capacity (Approx):	86 Fluid Oz (2.15 litres)
	Minimum RPM:	500
	Maximum RPM:	1200
	Max. Continuous Working Press.:	150 psi

If you require assistance, contact your local DV Systems Distributor or Authorized Service Centre. If you wish to contact DV Systems directly or need to locate your closest Distributor, please reach us at :

Phone: (705) 728-5657
Fax: (800) 561-1663

Website: www.dvsystems.ca
Email: sales@dvsystems.ca





The Item Numbers in the Chart(s) below refer to the Pump Breakdown on Page 2.

Item:	Part Number	Qty	Description
1	SS-1230	1	Pipe Plug Black 1/2"
2	432-4	1	Crankcase (NLA)
3	NCB-303-1	1	Oil Filler Plug
4	432-12	1	End Plate Gasket
5	445-136	1	End Plate
6	SS-14	26	5/16-18 x 1" HHCS
7	432-327	2	Cylinder to Crankcase Gasket
8	SS-24	12	3/8-16 x 7/8" HHCS
9	440-325	2	Cylinder (NLA)
10	440-26	2	Head Gasket
11	440-24	2	Cylinder Head (NLA)
12	432-329	1	Exhaust Manifold (NLA)
13	432-337-1	1	Intake Manifold (NLA)
14	432-336	1	Air Strainer Cover (NLA)
15	43631-009	1	Air Filter
16	SS-2037	1	Wing Nut 1/4" (NLA)
17	SS-3223	1	Cntrsunk Pipe Plug 3/8" (NLA)
18	432-328	2	Aftercooler Elbow (NLA)
19	432-196	10	Gasket
20	SS-10135	8	5/16-24 x 7/8" Cap Screw
21	445-94	4	Valve Guide
22	447-236	8	Valve Spring
23	225-25-1	4	Valve Disc
24	445-4217	2	LP Intake Valve Assembly
25	445-360A	8	Jam Nut
26	445-361A	8	Cap Nut
27	SS-6044	8	3/8-16 x 1" Allen Set Screw
28	SS-01767	8	Gasket (NLA) Use 'SS-7424'
29	SS-7424	8	3/8-16 x 5/8" Cap Nut
30	445-89	4	LP Valve Plug
31	432-89	4	HP Valve Plug (NLA)
32	342-128	4	Gasket HP
33	225-28	4	Gasket LP
34	432-94	4	Valve Guide
35	432-236	8	Valve Spring
36	220-25	4	Valve Disc
37	432-4217	2	HP Intake Valve Assembly
38	SS-31	14	3/8-12 x 2-1/2" HHCS

Item:	Part Number	Qty	Description
39	432-41	8	Connecting Rod Bolt (NLA)
40	432-474	4	Connecting Rod Insert (Std)
41	432-4110-2	4	Rod & Cap Assy (NLA)
42	440-9402	2	LP Rod & Piston Assy (NLA)
43	440-9403	2	HP Rod & Piston Assy (NLA)
44	SS-7982	8	3/8-24 Lock Nut (NLA)
45	432-4205	2	HP Exhaust Valve Assembly
46	440-412	2	LP Piston & Pin Assy (NLA)
47	440-4112	2	HP Piston & Pin Assy (NLA)
48	RK-9400	2	Ring Kit (Std Size)
49	235-23	2	Ball Bearing
50	225-6	2	Screw
51	TIA-5075	1	75 psi Safety Valve
52	SS-1249	2	3/4 x 1/4" Shoulder Bushing
53	432-330	2	Intercooler (NLA)
54	SS-1231	4	3/4" Pipe Plug
55	235-5-1	2	Oil Throw Ring (NLA)
56	432-13	1	End Plate Gasket
57	432-9	1	End Plate (NLA)
58	342-111	1	Oil Seal
59	432-2-1	1	Flywheel
60	SS-10482	1	Key
61	432-326	1	Flywheel Retaining Washer
62	SS-1508	1	5/8" Medium Lock Washer
63	SS-6883	1	5/8-18 x 1-1/2" HHCS
64	445-333-1	1	Air Strainer Stud (NLA)
65	445-4205	2	LP Exhaust Valve Assembly
66	342-160	1	Felt Washer
67	SS-16	4	Aftercooler Bolt (NLA)
68	235-43	2	Oil Cup
69	432-450	1	Crankshaft (NLA)
70	FM-500	1	Filter Monitor (NLA)
Crankcase Vent Tube Assembly (Not Shown) c/o:			
71	SS-8553	1	1/8 x 1/4 Tube Connector
72	CT-9473	1	Crankcase Vent Tube (NLA)
73	TW-18	1	Elbow

Kits Available for the '440' Pump

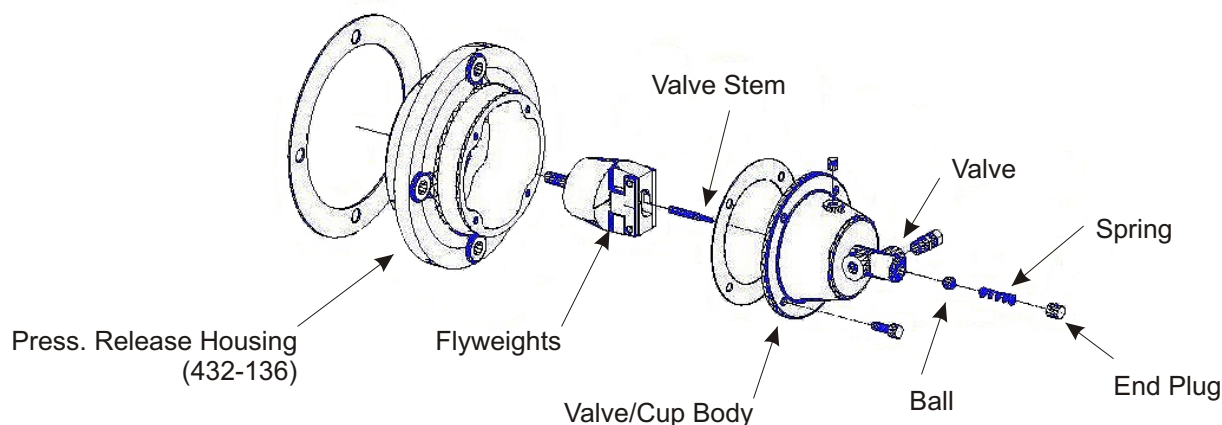
Part Number	Qty	Description	Includes
GK-9401	1	Complete Gasket Kit	# 4, 7, 10, 19, 28, 32, 33, 56
VRK-642	2	Valve Repair Kit	# 20, 22, 23, 25, 26, 28, 32, 33, 35, 36
OK-440	1	Overhaul Kit	# 40, 48, 58 and (1) 'GK-9401', (2) 'VRK-642'
MK-440	1	Maintenance Kit	20 Weight Oil + Filter (for 1 change)

Centrifugal Pressure Release Assembly

New Style 'CPR' Assembly.

This CPR can be retro-fitted onto an existing '440' Series Pump. Order 'CPR-9700' Kit.

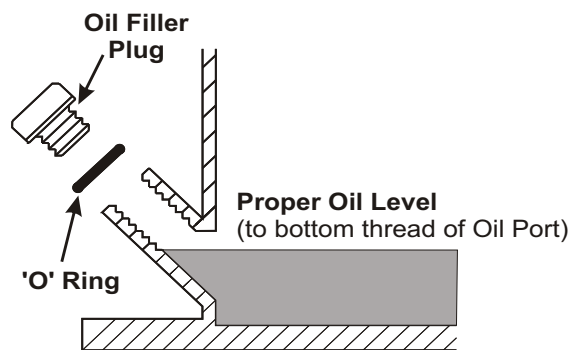
Note: This Kit can only be used on Pumps that operate at 500 rpm or more.



Lubrication:

Fill the Crankcase to the lowest thread at the Oil Fill Port Opening. **Do not under or overfill.** See drawing.

Tightly screw in Oil Fill Plug using a crescent wrench. Use only ***DV Systems Premium Compressor Oil*** for the Air Compressor, as it has been specially formulated for your Unit, and contains only two additives, a rust inhibitor and an anti foaming agent.



**Section Through CrankCase
at Oil Fill Port**

Compressor Torque Values

Item:	Description	In Lbs	Ft Lbs	Nm
3	CPR Housing (CPR Assy)	144	12	16.2
6	Small End Plate	144	12	16.2
6	Large End Plate	144	12	16.2
6	Cooler Flange	144	12	16.2
8	Cylinder - Crankcase Gasket	240	20	27.1
14	CPR End Plate (CPR Assy)	72	6	8.1
24	LP Intake Valve	180	15	20.3
25 & 28	Valve Set Screw	180	15	20.3
26	Cap Nuts	180	15	20.3
30	Valve Plug	-	125	169
37	HP Intake Valve	180	15	20.3
38	Head Bolts	240	20	27.1
39	Connecting Rod - Crank End	408	34	46
43	Connecting Rod - Pin End	120	10	13.5
45	HP Exhaust Valve	180	15	20.3
50	Oil Ring Retainer	144	12	16.2
64	Flywheel Bolts	-	96	130
66	LP Exhaust Valve	180	15	20.3

CAUTION. Pre-lubricate all Crank Throws and Insert Bearing surfaces to prevent Compressor tie-ups during the first few minutes of operation. Pour oil on the outside of the Connecting Rod and Crank shoulders. Use the Crankcase oil, DO NOT USE GREASE.

Honing Specifications

	Std. Cylinder Hone Diameter	Piston Skirt/ Cyl Dia Clear.
Low Pressure Cylinder	4.000	.0050
	4.001	.0070
High Pressure Cylinder	2.1245	.002
	2.1255	.004

1. Diametral Clearance of oversized Cylinders and Pistons is the same as standard Cylinders and Pistons.
2. Cylinders must be within diametral tolerance at all points, out of round or taper must not exceed .0005.
3. Hone 20 min to 35 max micro inches of surface roughness.
4. De-burr the sharp corners at the top of the Cylinder opening with a 1/64 to 1/32 x 30° chamfer.

Connecting Rod Insert Bearings

Insert	Crank Throw Diameter	Part Number
Standard	2.0000	432-474
	1.9995	
.010	1.9900	432-474-010 (NLA)
	1.9895	
.020	1.9800	432-474-020
	1.9795	

'440' Pump Specifications

Pump Model	HP	175 psi		125 psi		# of Cyl.	Bore & Stroke	Flywheel		Pump Dimensions (Refer to drawing)						Weight (Pounds) (Approx)
		RPM	Del'y (CFM)	RPM	Del'y (CFM)			Dia.	Groove	A	B	C	D	E	F	
440	5	450	17.2	500	19.7	4	4" & 2.125"	20"	2B	23.375"	20"	19.5625"	17.825"	10.5"	8.25"	285
	7½	650	24.8	750	29.4											
	10	850	32.6													

Note: Though the dimensions are correct, the Pump may not be exactly as shown below.

