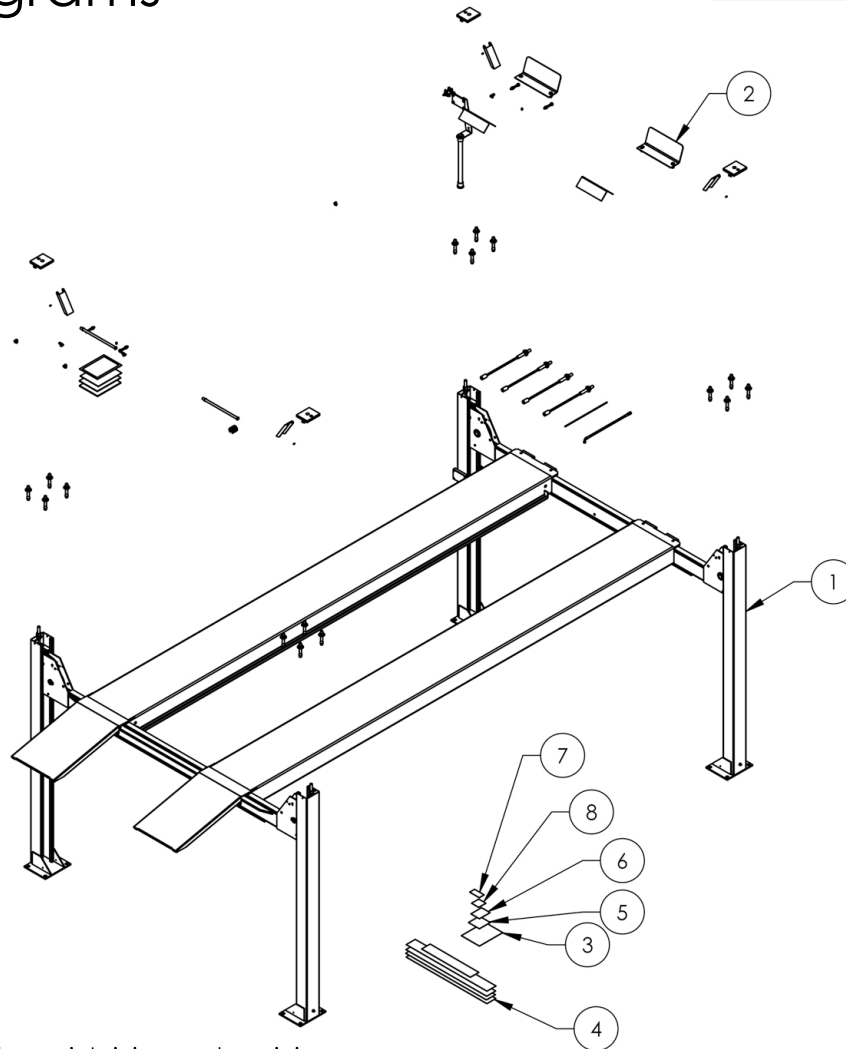


Service Manual

Service Parts & Diagrams

HDS-14

BendPak SKU 5260510
HDS-14 Four-Post Car Lift
Version C
02/25/2016



This guide is a troubleshooting reference used for maintaining and servicing your BendPak product. It provides comprehensive information on identifying serviceable parts and components and assists in troubleshooting problems and performing assembly/disassembly procedures.



BendPak, Inc. Corporate Office

1645 Lemonwood Drive
Santa Paula, CA 93060 USA
Toll Free US/Canada: 1-800-253-2363
Fax: 1-805-933-9160
info@bendpak.com

Customer Service Desk / Warranty

Customer Service Representatives
Office Tel: 1-805-933-9970
Toll Free US/Canada: 1-800-253-2363
Fax: 1-805-933-9160
customerservice@bendpak.com

Parts Orders

Customer Service Representatives
Office Tel: 1-805-933-9970
Toll Free US/Canada: 1-800-253-2363
Fax: 1-805-933-9160
parts@bendpak.com

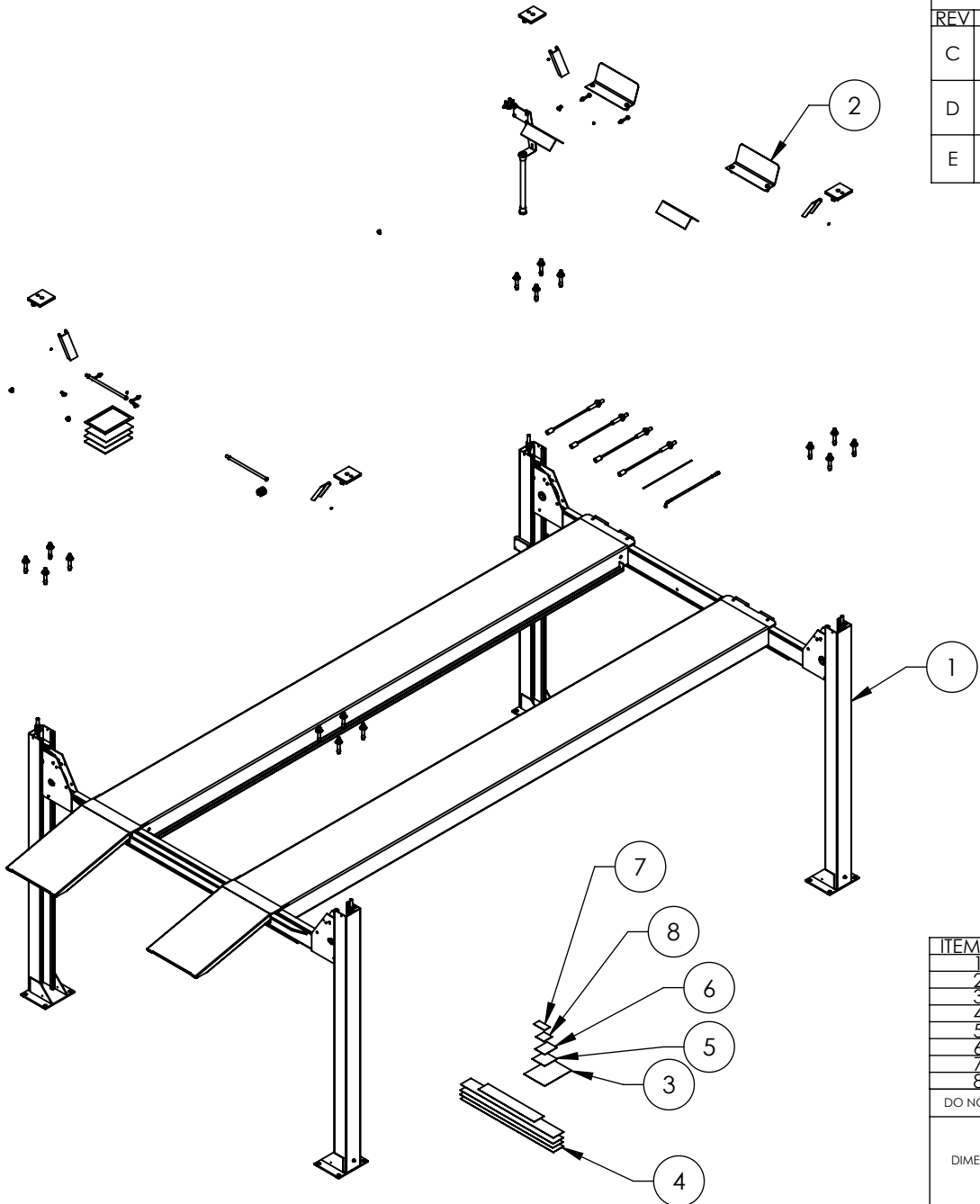
Domestic Sales & Service

USA Sales Representatives
Office Tel: 1-805-933-9970
Toll Free US/Canada: 1-800-253-2363
Fax: 1-805-933-9160
sales@bendpak.com

International Sales & Service

Office Tel: 1-805-933-9970
Exports Department: 1-805-933-9970 Ext. 192
Toll Free US/Canada: 1-800-253-2363
Fax: 1-805-933-9160
bpkexports@bendpak.com

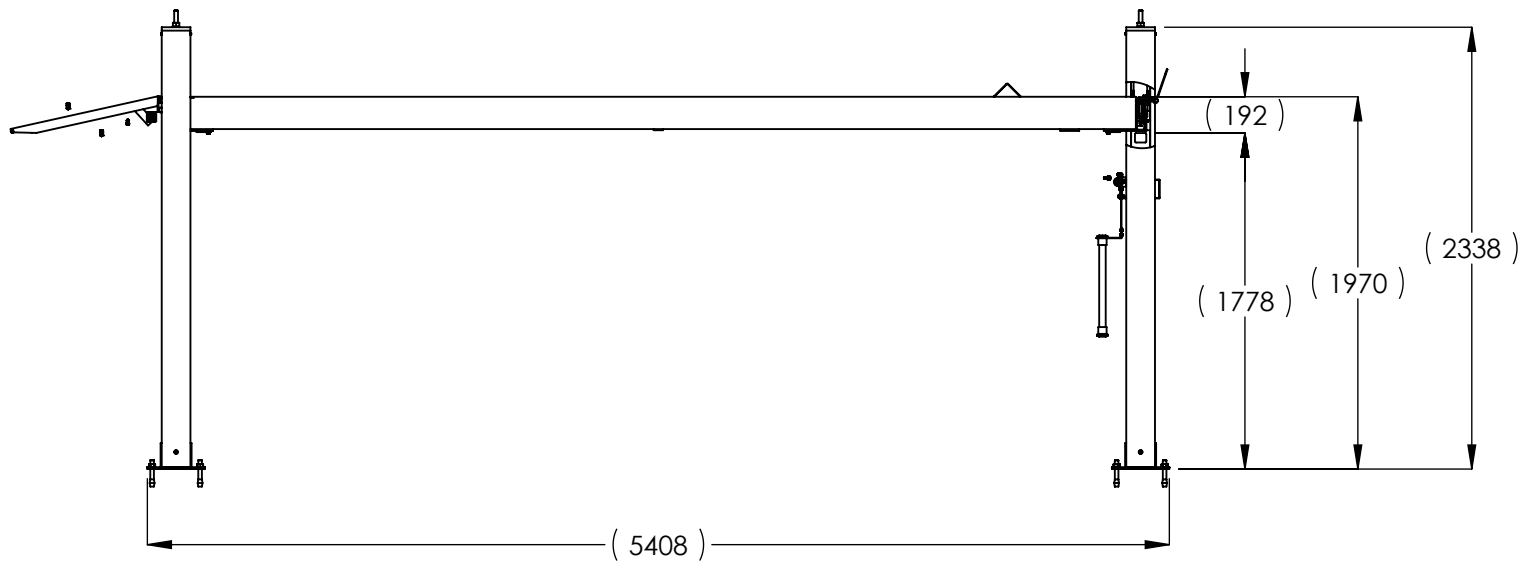
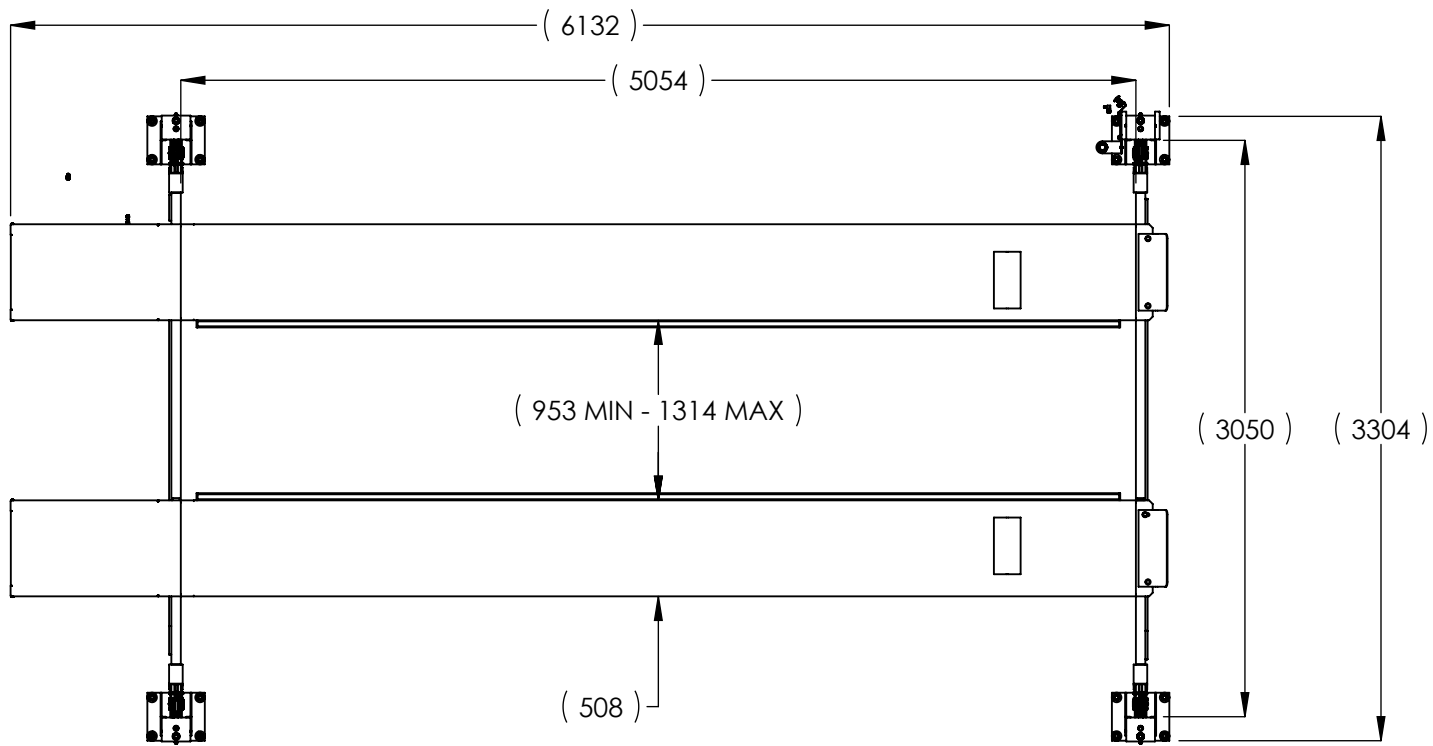
		REVISION		
REV	DESCRIPTION	DATE	EDITED BY	ECO#
C	ADDED 5905103, 5905200, 5905465, 5905557, 5905940, AND 5930605, UPDATED BOM REVISION	08/12/2015	TM	00683
D	REPLACED 5930605 WITH 5905953, REPLACED 5905557 WITH 5905402 UPDATED BOM REVISIONS	12/10/2015	JM	00724
E	REPLACED 5905402 WITH 5905557, UPDATED BOM REVISIONS	12/23/2015	JM	00741




NOTE: UNLESS OTHERWISE SPECIFIED.
 1. SEE SHIPPING INSTRUCTIONS FOR FINAL PACKAGING
 2. ALL LABELS TO BE APPLIED TO POSTS AFTER PAINTING.
 3. SEE ATTACHED LABEL PLACEMENT SHEET

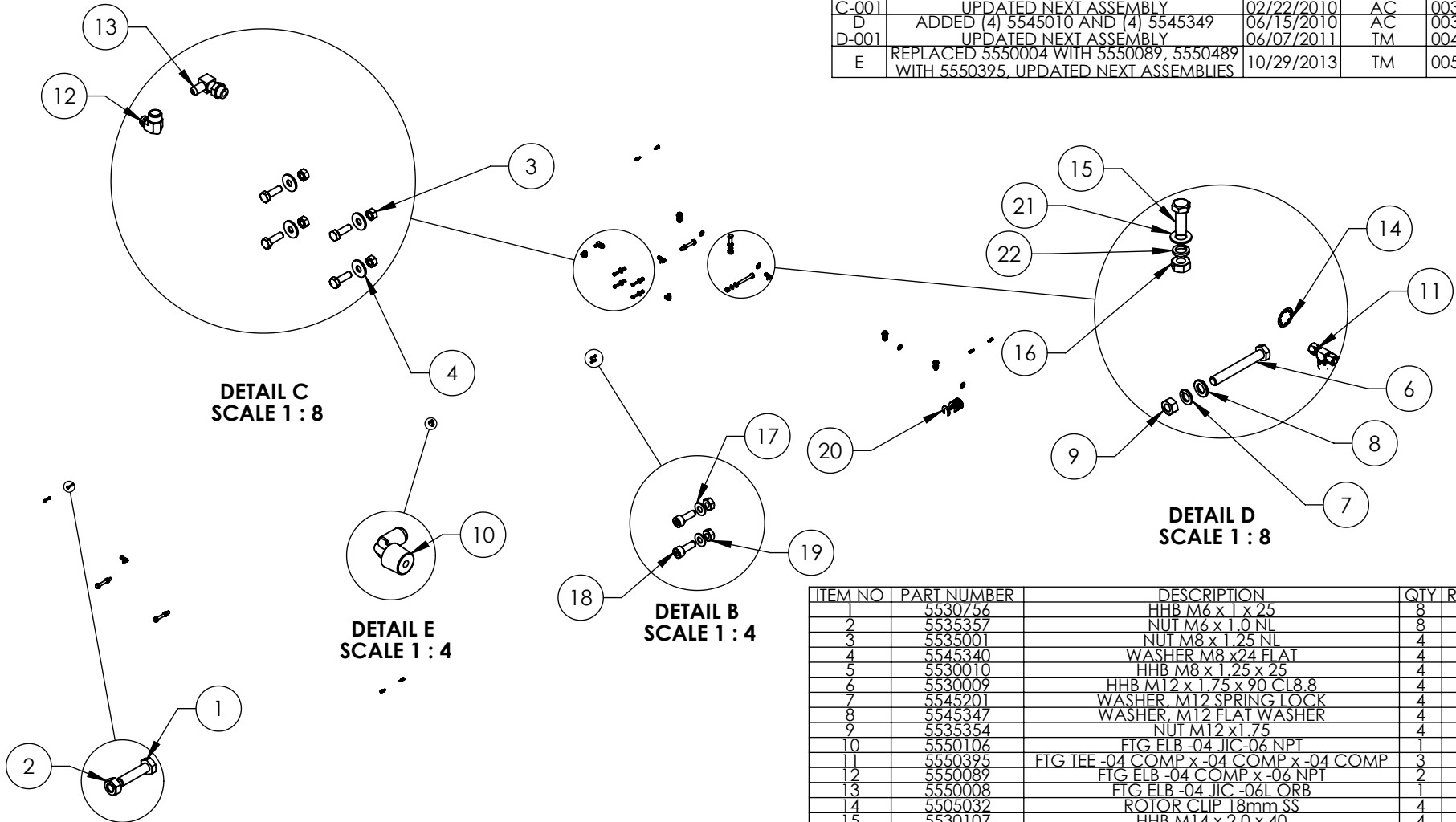
ITEM NO	PART NUMBER	DESCRIPTION	QTY	REV
1	5245402	HDS-14 LIFT SUPERSTRUCTURE	1	E
2	5250143	PARTS BOX HDS-14	1	E
3	5905103	WARNING ALI/WL 200	1	--
4	5905200	4 POST DECAL KIT, LESS ALI	1	B
5	5905465	MANUFACTURER LABEL	1	--
6	5905557	MAX CAP DANGER 14K	1	--
7	5905940	PRODUCT DATA LABEL	1	--
8	5905953	SERIAL NUMBER INTERIOR TAG PLATE	1	--

DO NOT SCALE DRAWING	NAME	DATE	1645 LEMONWOOD DR. SANTA PAULA, CA 93060
DIMENSIONS ARE IN MM 	DRAWN	TM 08/12/2014	
	CHECKED		
	THIRD ANGLE PROJECTION		TITLE: HDS-14 PRODUCTION LIFT VER C (CE CERT)
PROPRIETARY AND CONFIDENTIAL THE INFORMATION CONTAINED IN THIS DRAWING IS THE SOLE PROPERTY OF BENDPAK INC. ANY REPRODUCTION IN PART OR AS A WHOLE WITHOUT THE WRITTEN PERMISSION OF BENDPAK INC. IS PROHIBITED.		SIZE DWG. NO. A 5260510	REV E
SCALE: 1:50			SHEET 1 OF 2



 BendPak. <small>PROVIDING LIFTWORK SINCE 1906</small>		1645 LEMONWOOD DR. SANTA PAULA, CA 93060	
TITLE: HDS-14 PRODUCTION LIFT VER C (CE CERT)			
SIZE	DWG. NO.	REV	
A	5260510	E	
SCALE: 1:40			SHEET 2 OF 2

REVISION				
REV	DESCRIPTION	DATE	EDITED BY	ECO#
C	ADDED (20) 5545335	12/22/2009	AC	00326
C-001	UPDATED NEXT ASSEMBLY	02/22/2010	AC	00333
D	ADDED (4) 5545010 AND (4) 5545349	06/15/2010	AC	00366
D-001	UPDATED NEXT ASSEMBLY	06/07/2011	TM	00456
E	REPLACED 5550004 WITH 5550089, 5550489 WITH 5550395. UPDATED NEXT ASSEMBLIES	10/29/2013	TM	00593



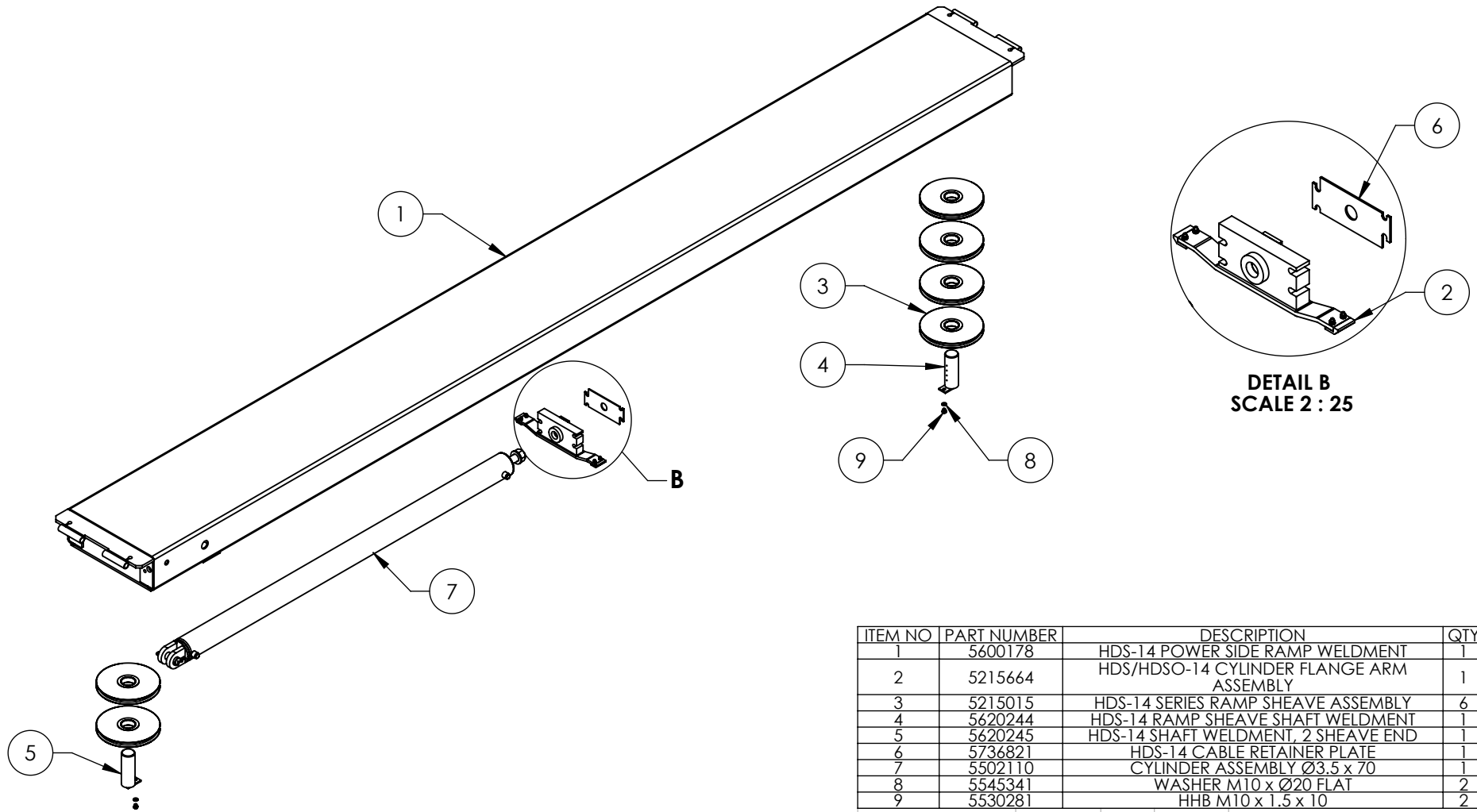
ITEM NO	PART NUMBER	DESCRIPTION	QTY	REV
1	5530756	HHB M6 x 1 x 25	8	-
2	5535357	NUT M6 x 1.0 NL	8	-
3	5535001	NUT M8 x 1.25 NL	4	-
4	5545340	WASHER M8 x24 FLAT	4	-
5	5530010	HHB M8 x 1.25 x 25	4	B
6	5530009	HHB M12 x 1.75 x 90 CL8.8	4	-
7	5545201	WASHER, M12 SPRING LOCK	4	-
8	5545347	WASHER, M12 FLAT WASHER	4	-
9	5535354	NUT M12 x1.75	4	-
10	5550106	FTG ELB -04 JIC-06 NPT	1	-
11	5550395	FTG TEE -04 COMP x -04 COMP x -04 COMP	3	-
12	5550089	FTG ELB -04 COMP x -06 NPT	2	-
13	5550008	FTG ELB -04 JIC -06L ORB	1	-
14	5505032	ROTOR CLIP 18mm SS	4	-
15	5530107	HHB M14 x 2.0 x 40	4	-
16	5535107	NUT M14 x 2.0	4	-
17	5545009	WASHER, Ø4.3 x Ø9mm x 0.8mm	2	-
18	5530008	SHCS M4 x 0.7mm x 12mm	2	-
19	5535010	Nut, M4 X 0.7	2	-
20	5545335	C WASHER SHIM FOR LIFTS	20	-
21	5545010	WASHER M14 x 28 FLAT	4	-
22	5545349	WASHER M14 x 22 SL	4	-

DO NOT SCALE DRAWING		NAME	DATE	1645 LEMONWOOD DR. SANTA PAULA, CA 93060
DIMENSIONS ARE IN MM		DRAWN	AC 08/08/2008	
		CHECKED		TITLE: PARTS BAG HD/HDS-14 SERIES
		THIRD ANGLE PROJECTION		
MATERIAL: ---		PROPRIETARY AND CONFIDENTIAL THE INFORMATION CONTAINED IN THIS DRAWING IS THE SOLE PROPERTY OF BENDPAK INC. ANY REPRODUCTION IN PART OR AS A WHOLE WITHOUT THE WRITTEN PERMISSION OF BENDPAK INC. IS PROHIBITED.		SIZE DWG. NO. A 5174094
SIZE: ---				REV E
SCALE: 1:30				SHEET 1 OF 1

NEXT ASSEMBLY
5250143
5250144
5250191
5250194
5250195
5250196

NOTE: UNLESS OTHERWISE SPECIFIED.
 1. SEE SHIPPING INSTRUCTIONS FOR FINAL PACKAGING

REVISION				
REV	DESCRIPTION	DATE	EDITED BY	ECO#
K	REMOVED 5535027, 5545007 AND 5505350	01/14/2015	MR	00675
L	UPDATED BOM REVISION	03/30/2015	MR	00683
M	REMOVED 5550026	09/30/2015	TM	00724



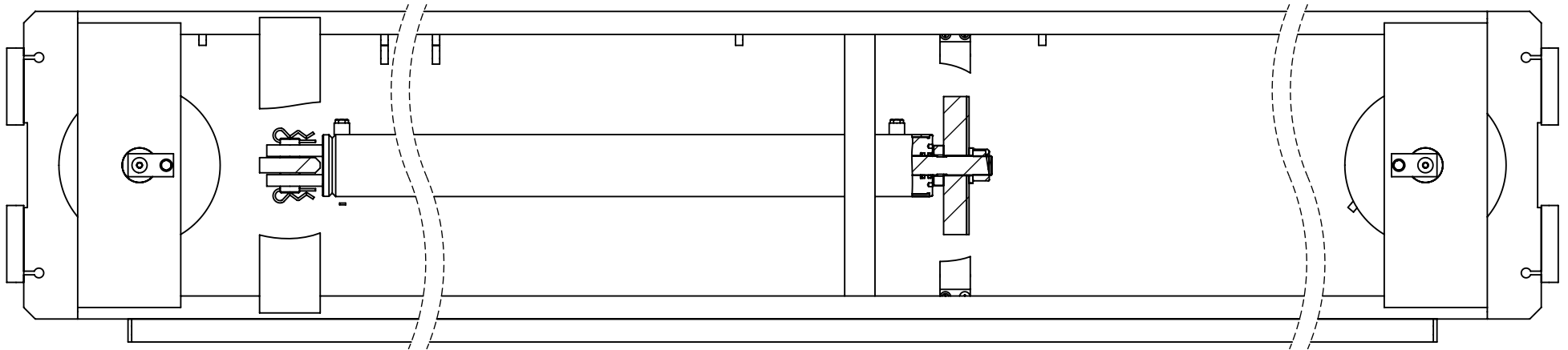
ITEM NO	PART NUMBER	DESCRIPTION	QTY	REV
1	5600178	HDS-14 POWER SIDE RAMP WELDMENT	1	E
2	5215664	HDS/HDSO-14 CYLINDER FLANGE ARM ASSEMBLY	1	A
3	5215015	HDS-14 SERIES RAMP SHEAVE ASSEMBLY	6	B
4	5620244	HDS-14 RAMP SHEAVE SHAFT WELDMENT	1	B
5	5620245	HDS-14 SHAFT WELDMENT, 2 SHEAVE END	1	B
6	5736821	HDS-14 CABLE RETAINER PLATE	1	A
7	5502110	CYLINDER ASSEMBLY Ø3.5 x 70	1	E
8	5545341	WASHER M10 x Ø20 FLAT	2	-
9	5530281	HHB M10 x 1.5 x 10	2	-


DO NOT SCALE DRAWING	NAME	DATE	1645 LEMONWOOD DR. SANTA PAULA, CA 93060
	DRAWN	GJZ 11/17/2008	
	CHECKED		
DIMENSIONS ARE IN MM	THIRD ANGLE PROJECTION		TITLE: HDS-14 POWER SIDE RAMP ASSEMBLY
			SIZE DWG. NO. A 5215072
	<small>PROPRIETARY AND CONFIDENTIAL THE INFORMATION CONTAINED IN THIS DRAWING IS THE SOLE PROPERTY OF BENDPAK INC. ANY REPRODUCTION IN PART OR AS A WHOLE WITHOUT THE WRITTEN PERMISSION OF BENDPAK INC. IS PROHIBITED.</small>		REV M
	SCALE: 1:25		SHEET 1 OF 2

NOTE: UNLESS OTHERWISE SPECIFIED.

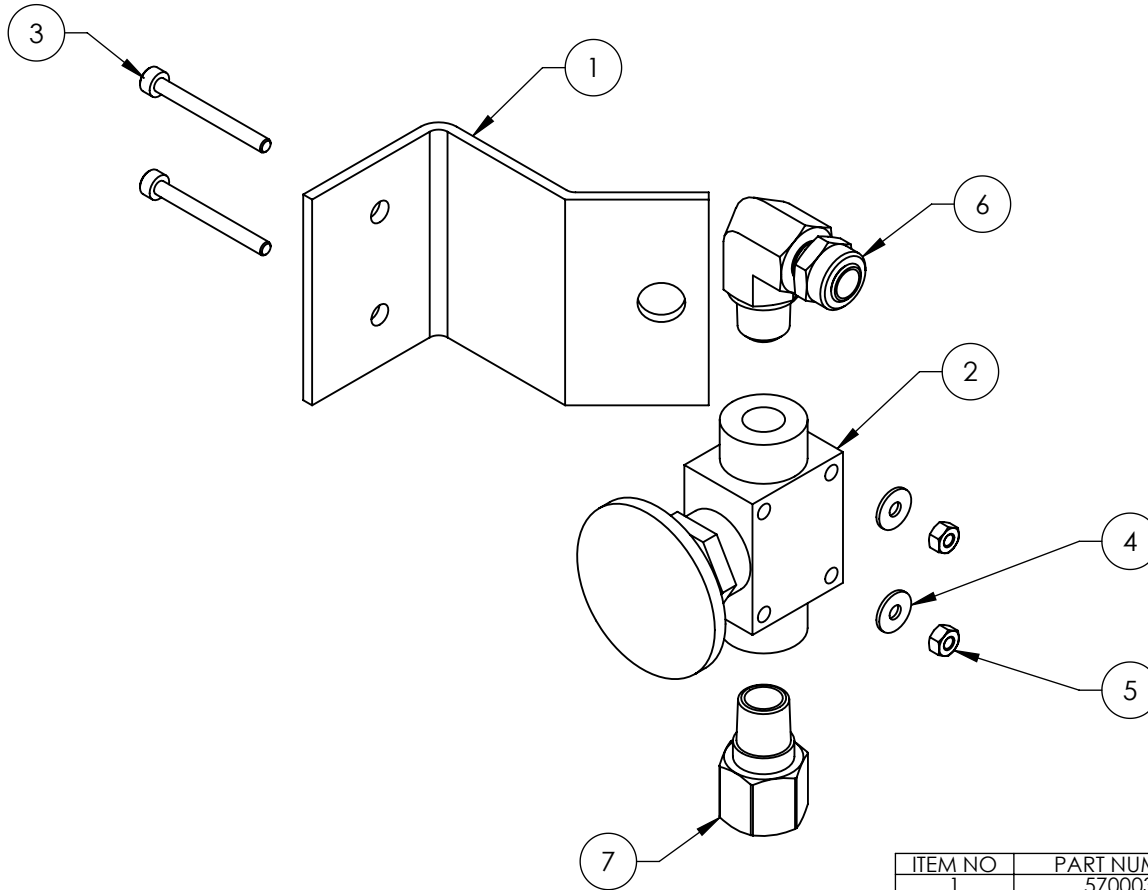
1. VERIFY CYLINDER PORTS ARE CAPPED OFF WITH STEEL 3/8" NPT PLUG.
2. SEE SHIPPING INSTRUCTIONS FOR FINAL PACKAGING.
3. ASSEMBLE ITEMS AS SHOWN.

NEXT ASSEMBLY
5245402



 BendPak 1645 LEMONWOOD DR. SANTA PAULA, CA 93060		
TITLE: HDS-14 POWER SIDE RAMP ASSEMBLY		
SIZE	DWG. NO.	REV
A	5215072	M
SCALE: 1:10		SHEET 2 OF 2

REV	DESCRIPTION	REVISION	DATE	EDITED BY	ECO#
D	UPDATED NEXT ASSEMBLY, ADDED 5550486		02/24/2010	AC	00333
D-001	UPDATED NEXT ASSEMBLY		01/21/2011	TM	00439
D-010	UPDATED NEXT ASSEMBLIES		07/24/2013	TM	00611
E	REPLACED 5550481 WITH 5550087		10/29/2013	TM	00593
F	REPLACED 5590240 WITH 5590175, UPDATED NEXT ASSEMBLIES		05/05/2015	MR	00683

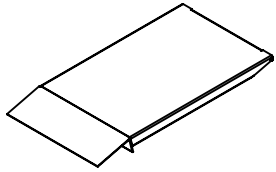


ITEM NO	PART NUMBER	DESCRIPTION	QTY	REV
1	5700031	ZERO ANGLE MTG BRACKET	1	C
2	5590175	PUSH BUTTON AIR VALVE	1	A
3	5530043	SHCS M3 x 0.5 x 30	2	-
4	5545024	WASHER M3 x 9mm	2	-
5	5535020	NUT M3 x 0.5 NL	2	-
6	5550087	FTG ELB -04 COMP x -02 NPT	1	-
7	5550486	FTG NPL -02 NPT x -04 F NPT	1	-

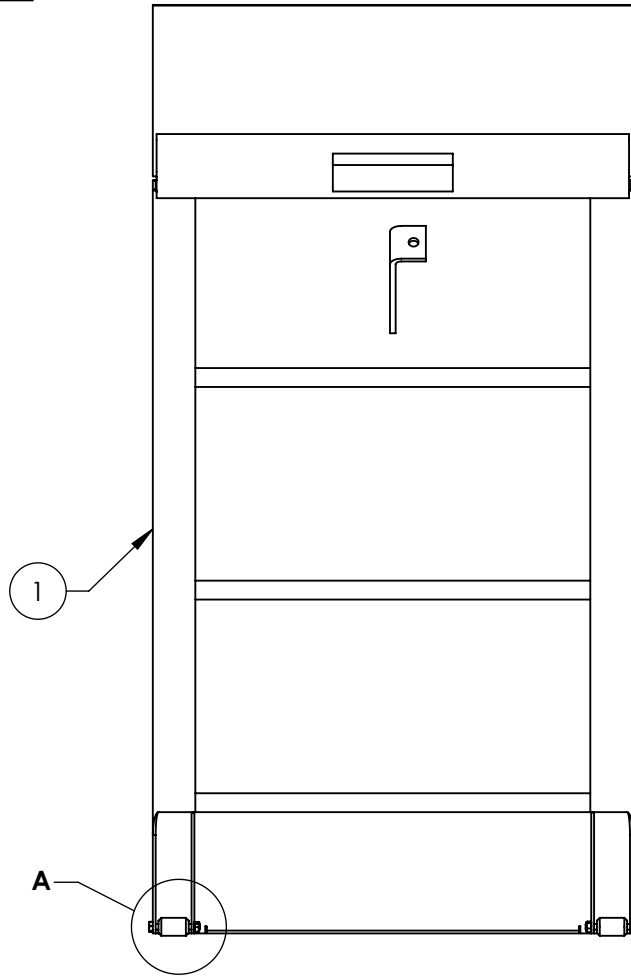
DO NOT SCALE DRAWING	NAME	DATE	1645 LEMONWOOD DR. SANTA PAULA, CA 93060
	DRAWN	AC 3/14/2008	
	CHECKED	CA 09/02/2015	
DIMENSIONS ARE IN MM	THIRD ANGLE PROJECTION		TITLE: PUSH BUTTON AIR ASSEMBLY
			SIZE DWG. NO.
	PROPRIETARY AND CONFIDENTIAL THE INFORMATION CONTAINED IN THIS DRAWING IS THE SOLE PROPERTY OF BENDPAK INC. ANY REPRODUCTION IN PART OR AS A WHOLE WITHOUT THE WRITTEN PERMISSION OF BENDPAK INC. IS PROHIBITED.		REV F
SCALE: 2:3		SHEET 1 OF 1	

NOTE: UNLESS OTHERWISE SPECIFIED.
 T. ASSEMBLE ITEMS AS SHOWN

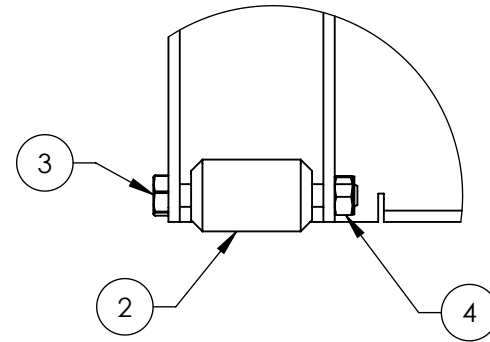
NEXT ASSEMBLY
HD/HDS/HDSO
SERIES
5250118
5250249
5250364



ISOMETRIC VIEW
FOR REFERENCE ONLY
DO NOT SCALE



REV	DESCRIPTION	DATE	EDITED BY	ECO#
E	ADDED HD/S-14 SERIES TO TITLE	10/05/2009	AC	00300
E-001	UPDATED NEXT ASSEMBLY	02/24/2010	AC	00333
F	REPLACED 5530064 WITH 5530097	06/03/2010	AC	00366
G	UPDATED BOM REVISION	07/30/2010	TM	00387
G-001	UPDATED NEXT ASSEMBLY	05/17/2011	TM	00456
G-002	UPDATED NEXT ASSEMBLY	10/28/2011	TM	00487
G-003	UPDATED NEXT ASSEMBLIES	05/16/2013	TM	00593
G-004	UPDATED NEXT ASSEMBLIES	08/13/2014	TM	00664



DETAIL A
SCALE 1 : 2

ITEM NO	PART NUMBER	DESCRIPTION	QTY	REV
1	5600138	HD/S-14 SERIES DRIVE UP RAMP WELDMENT	1	F
2	5716149	HD-7500/9, HD/S-14 SERIES DRIVE UP RAMP PLASTIC ROLLER	2	F
3	5530097	HHB M6 x 1.0 x 50	2	-
4	5535357	NUT M6 x 1.0 NL	2	-

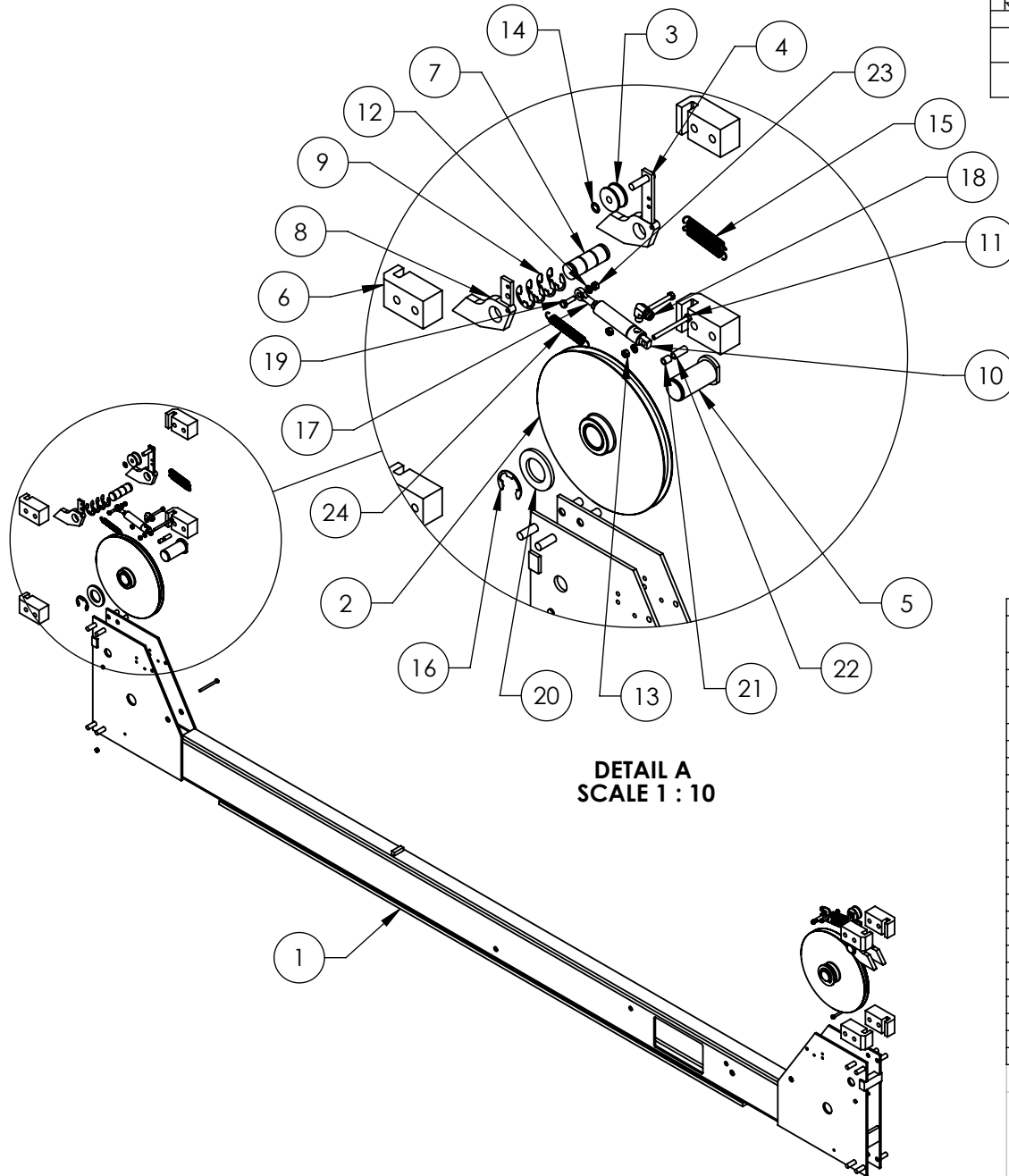
DO NOT SCALE DRAWING		NAME	DATE	1645 LEMONWOOD DR. SANTA PAULA, CA 93060
DRAWN		TM	06/04/2008	
CHECKED				
DIMENSIONS ARE IN MM		THIRD ANGLE PROJECTION		TITLE: HD/S-14 SERIES DRIVE UP RAMP ASSEMBLY
				SIZE DWG. NO.
				A 5215104
PROPRIETARY AND CONFIDENTIAL THE INFORMATION CONTAINED IN THIS DRAWING IS THE SOLE PROPERTY OF BENDPAK INC. ANY REPRODUCTION IN PART OR AS A WHOLE WITHOUT THE WRITTEN PERMISSION OF BENDPAK INC. IS PROHIBITED.			REV H	SCALE: 1:8
				SHEET 1 OF 1

NEXT ASSEMBLY
5245397
5245398
5245399
5245400
5245401
5245402

NOTE: UNLESS OTHERWISE SPECIFIED.

- SEE SHIPPING INSTRUCTIONS FOR FINAL PACKAGING
- ASSEMBLE ITEMS AS SHOWN

REV	DESCRIPTION	REVISION	DATE	EDITED BY	ECO#
F	REPLACED 5545026 WITH 5545005		3/23/2015	MR	00683
F	REMOVED 5550025 AND 5716629		09/30/2015	TM	00724
G	UPDATED BOM REVISIONS		01/22/2016	JM	00741



DETAIL A
SCALE 1 : 10

ITEM NO	PART NUMBER	DESCRIPTION	QTY	REV
1	5600276	HDS-14 CROSSTUBE WELDMENT, LARGE WINDOW	1	H
2	5215013	HDS-14 CROSSTUBE SHEAVE ASSEMBLY	2	B
3	5575380	HD/HDS/HDO/HDSO-14 SERIES SAFETY ROLLER	2	C
4	5600044	HD/HDS LIGHT DUTY SERIES SLACK SAFETY WELDMENT	2	F
5	5600173	HD/S/O-14 SHEAVE PIN WELDMENT	2	G
6	5716005	HD-7/7500/9/14/HDSO-14 PLASTIC SLIDE BLOCK	8	J
7	5746008	HD/HDS-7/7500/9/14, HDSO-14 SAFETY PIN	2	E
8	5600760	HD/HDS LIGHT DUTY SERIES SAFETY WELDMENT	2	B
9	5540275	E RING Ø25mm OD DIN 6799 0250	8	-
10	5502195	AIR CYLINDER, Ø19mm x 25 STROKE	2	-
11	5530005	HHB M6 x 1 x 70	6	-
12	5545005	M6 FLAT WASHER	4	-
13	5535112	NUT M6 x 1.0	4	-
14	5505030	ROTOR CLIP 10mm SS	2	-
15	5540065	SPRING Ø13mm x 90mm, SLACK SAFETY	4	A
16	5540002	E RING Ø1.375" OD TRUARC X5133-137	2	-
17	5505625	FEMALE ROD END M6 x 33mm	2	-
18	5550087	FTG ELB -04 COMP x -02 NPT	2	-
19	5530093	HHB M6 x 1 x 20	2	-
20	5545032	WASHER M36 x 66 FLAT	2	-
21	5755136	HD AIR CYLINDER SPACER 12mm	2	B
22	5755137	HD AIR CYLINDER SPACER 25mm	2	B
23	5535357	NUT M6 x 1.0 NL	4	-
24	5540070	SPRING Ø13mm x 89mm, AIR CYLINDER	2	B

DO NOT SCALE DRAWING

NAME DATE

DRAWN TM 04/26/2013

1645 LEMONWOOD DR. SANTA PAULA, CA 93060

DIMENSIONS ARE IN MM

CHECKED

THIRD ANGLE PROJECTION

TITLE: HDS-14 CROSSTUBE ASSEMBLY, LARGE WINDOW

SIZE DWG. NO.

REV

A 5215597

G

PROPRIETARY AND CONFIDENTIAL
THE INFORMATION CONTAINED IN THIS DRAWING IS THE SOLE PROPERTY OF BENDPAK INC. ANY REPRODUCTION IN PART OR AS A WHOLE WITHOUT THE WRITTEN PERMISSION OF BENDPAK INC. IS PROHIBITED.

SCALE: 1:20

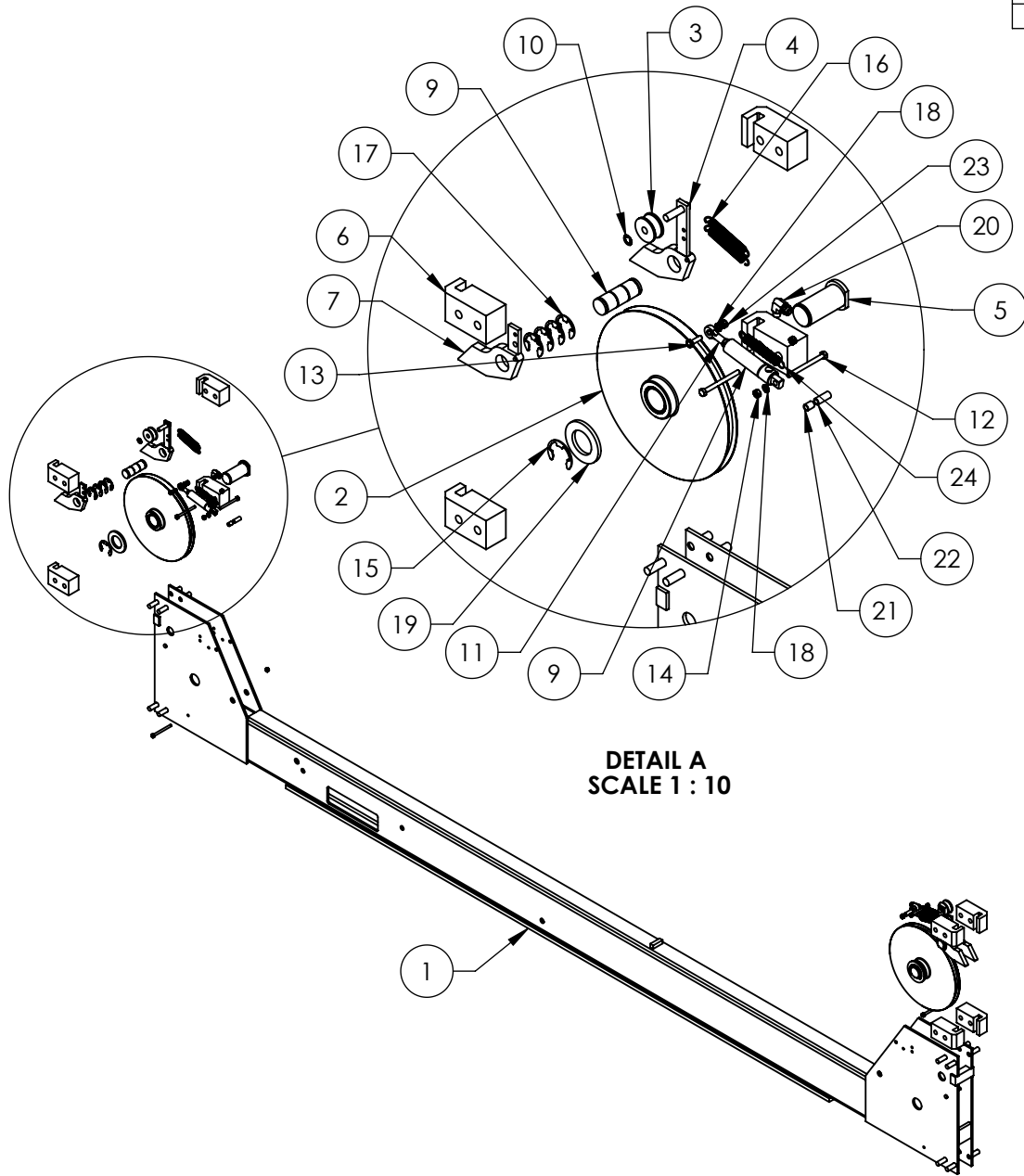
SHEET 1 OF 1

NOTE: UNLESS OTHERWISE SPECIFIED.

- GREASE PINS PRIOR TO ASSEMBLY
- ASSEMBLE ITEMS AS SHOWN

NEXT ASSEMBLY
5245399
5245400
5245401
5245402
5245403

REV	DESCRIPTION	REVISION	DATE	EDITED BY	ECO#
C	REPLACED 5545026 WITH 5545005		3/23/2015	MR	00683
D	REMOVED 5550025 AND 5716629		09/30/2015	TM	00724
E	UPDATED BOM REVISIONS		12/28/2015	JM	00741



NOTE: UNLESS OTHERWISE SPECIFIED.

- GREASE PINS PRIOR TO ASSEMBLY
- ASSEMBLE ITEMS AS SHOWN

NEXT ASSEMBLY	
5245399	
5245400	
5245401	
5245402	
5245403	

ITEM NO	PART NUMBER	DESCRIPTION	QTY	REV
1	5600923	HDS-14 CROSSTUBE WELDMENT, SMALL WINDOW	1	B
2	5215013	HDS-14 CROSSTUBE SHEAVE ASSEMBLY	2	B
3	5575380	HD/HDS/HDO/HDSO-14 SERIES SAFETY ROLLER	2	C
4	5600044	HD/HDS LIGHT DUTY SERIES SLACK SAFETY WELDMENT	2	F
5	5600173	HD/S/O-14 SHEAVE PIN WELDMENT	2	G
6	5716005	HD-7/7500/9/14/HDSO-14 PLASTIC SLIDE BLOCK	8	J
7	5600760	HD/HDS LIGHT DUTY SERIES SAFETY WELDMENT	2	B
9	5746008	HD/HDS-7/7500/9/14 HDSO-14 SAFETY PIN	2	F
9	5502195	AIR CYLINDER Ø19mm x 25 STROKE	2	-
10	5505030	ROTOR CLIP 10mm SS	2	-
11	5505625	FEMALE ROD END M6 x 33mm	2	-
12	5530005	HHB M6 x 1 x 70	6	-
13	5530093	HHB M6 x 1 x 20	2	-
14	5535112	NUT M6 x 1.0	2	-
15	5540002	E RING Ø1.375" OD TRUARC X5133-137	2	-
16	5540065	FEMALE ROD END 1/4-28	4	A
17	5540275	E RING Ø25mm OD DIN 6799 0250	8	-
18	5545005	M6 FLAT WASHER	4	-
19	5545032	WASHER M36 x 66 FLAT	2	-
20	5550087	FIG ELB -04 COMP x -02 NPT	2	-
21	5755136	HD AIR CYLINDER SPACER 12mm	2	B
22	5755137	HD AIR CYLINDER SPACER 25mm	2	B
23	5535357	NUT M6 x 1.0 NL	6	-
24	5540070	SPRING Ø13mm x 89mm AIR CYLINDER	2	B

DO NOT SCALE DRAWING

NAME DATE

DRAWN TM 08/18/2014

BendPak 1645 LEMONWOOD DR.
SANTA PAULA, CA 93060

DIMENSIONS ARE IN MM

CHECKED

THIRD ANGLE PROJECTION

TITLE: HDS-14 CROSSTUBE ASSEMBLY, SMALL WINDOW



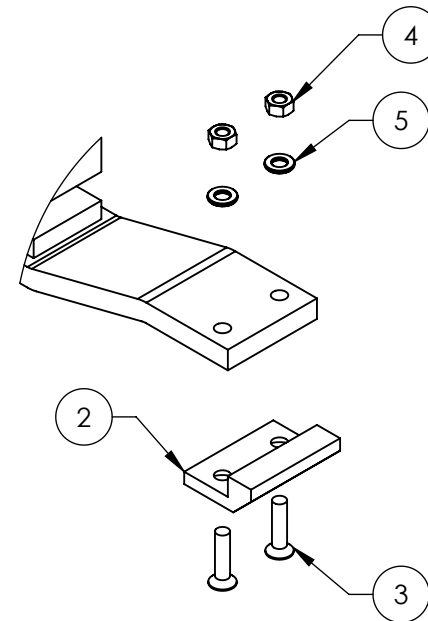
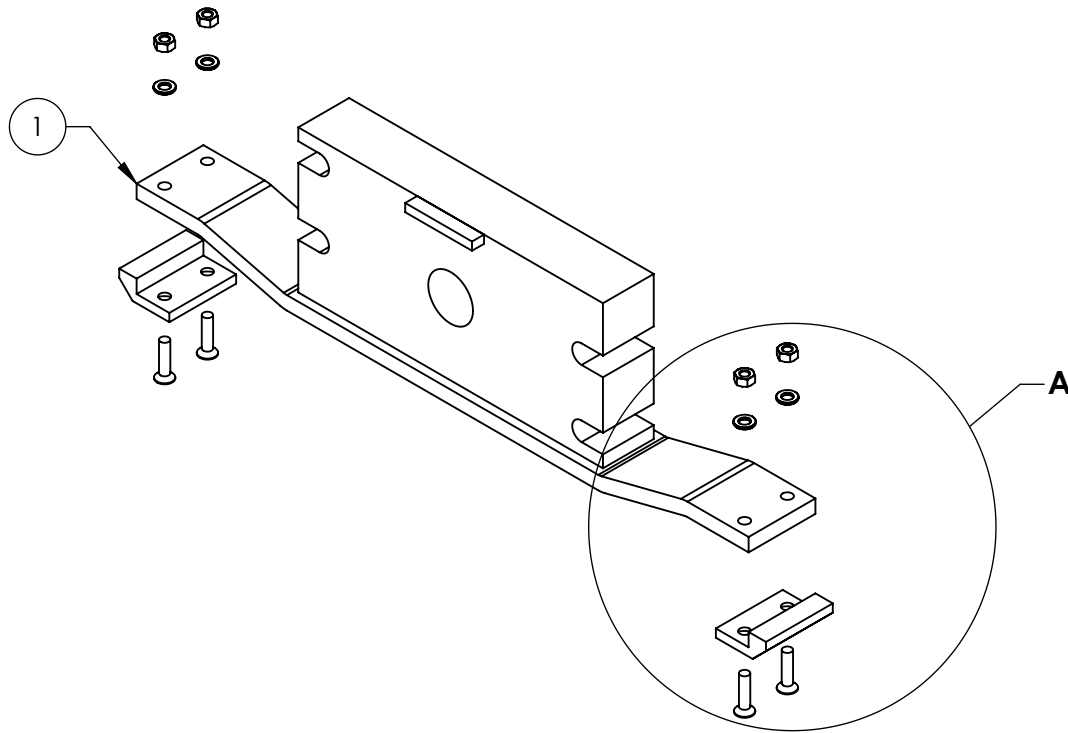
SIZE DWG. NO. REV
A 5215663 D

PROPRIETARY AND CONFIDENTIAL
THE INFORMATION CONTAINED IN THIS DRAWING IS THE SOLE PROPERTY OF BENDPAK INC. ANY REPRODUCTION IN PART OR AS A WHOLE WITHOUT THE WRITTEN PERMISSION OF BENDPAK INC. IS PROHIBITED.

SCALE: 1:20

SHEET 1 OF 1

REV	DESCRIPTION	REVISION	DATE	EDITED BY	ECO#
A	PRODUCTION RELEASE, DREIVED FROM 5215033		08/04/2014	TM	00664



DETAIL A
SCALE 1 : 3

ITEM NO	PART NUMBER	DESCRIPTION	QTY	REV
1	5600924	HDS/HDSO-14 CYLINDER FLANGE ARM WELDMENT	1	A
2	5716006	HD-14 CYL. FLANGE ARM SLIDE	2	D
3	5530077	FHPS M6 x 1 x 25L	4	-
4	5535112	NUT M6 x 1.0	4	-
5	5545005	M6 FLAT WASHER	4	-

DO NOT SCALE DRAWING

NAME DATE

DRAWN TM 08/04/2014

CHECKED

THIRD ANGLE PROJECTION



BendPak 1645 LEMONWOOD DR.
SANTA PAULA, CA 93060

TITLE: HDS/HDSO-14 CYLINDER FLANGE ARM ASSEMBLY

SIZE DWG. NO. REV
A 5215664 A

SCALE: 1:4

SHEET 1 OF 1

NOTE: UNLESS OTHERWISE SPECIFIED.

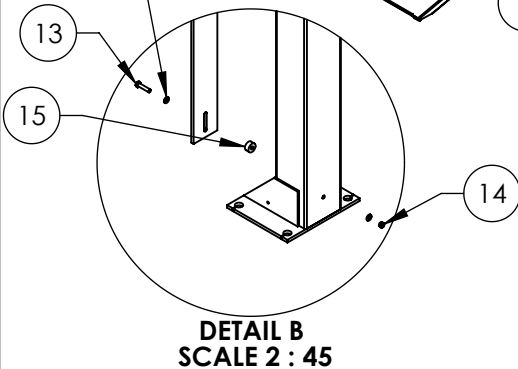
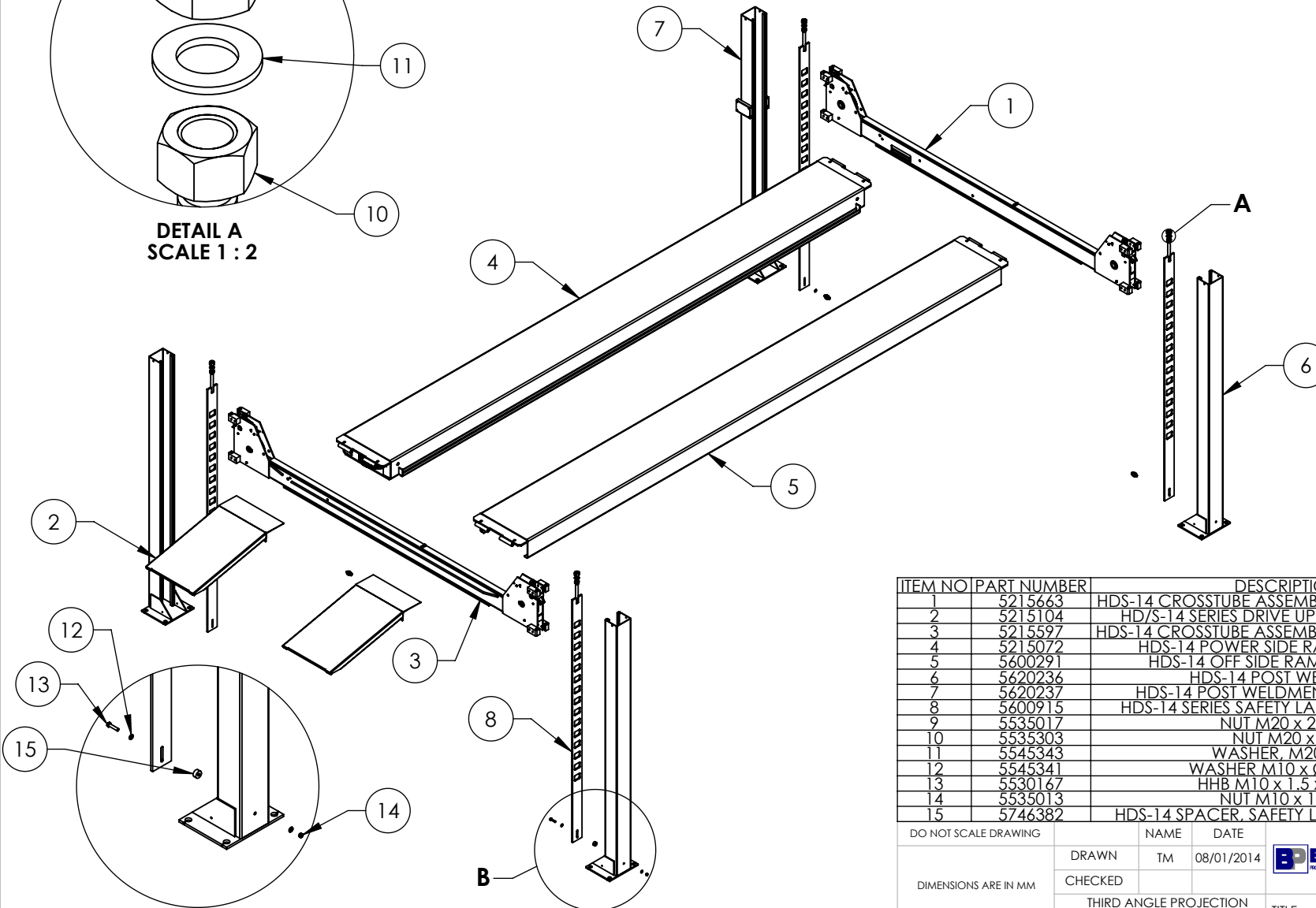
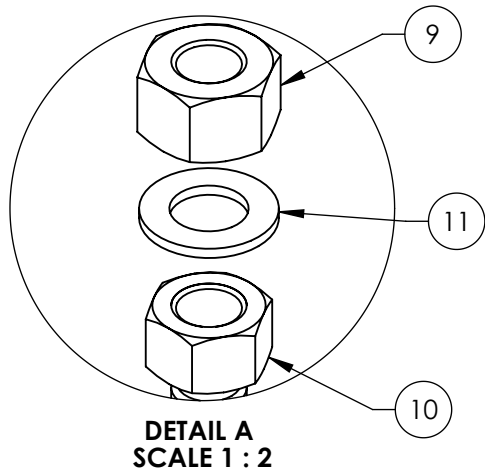
- SEE SHIPPING INSTRUCTIONS FOR FINAL PACKAGING
- ASSEMBLE ITEMS AS SHOWN

NEXT ASSEMBLY
5215072
5215097
5215239
5215241



PROPRIETARY AND CONFIDENTIAL
THE INFORMATION CONTAINED IN THIS DRAWING IS
THE SOLE PROPERTY OF BENDPAK INC. ANY
REPRODUCTION IN PART OR AS A WHOLE WITHOUT
THE WRITTEN PERMISSION OF BENDPAK INC. IS
PROHIBITED.

		REVISION		
REV	DESCRIPTION	DATE	EDITED BY	ECO#
B	UPDATED BOM REVISION	01/14/2015	MR	00675
C	UPDATED BOM REVISION	03/20/2015	MR	00683
D	UPDATED BOM REVISIONS	09/30/2015	TM	00724
E	ADDED (8) 5545341, (4) 5530167 (4)5746382 AND (4) 5535013 UPDATED BOM REVISIONS	12/23/2015	JM	00741



- NOTE: UNLESS OTHERWISE SPECIFIED.**
- SEE SHIPPING INSTRUCTIONS FOR FINAL PACKAGING
 - ASSEMBLE ITEMS AS SHOWN

ITEM NO	PART NUMBER	DESCRIPTION	QTY	REV
1	5215663	HDS-14 CROSSTUBE ASSEMBLY, SMALL WINDOW	1	D
2	5215104	HD/S-14 SERIES DRIVE UP RAMP ASSEMBLY	2	H
3	5215597	HDS-14 CROSSTUBE ASSEMBLY, LARGE WINDOW	1	G
4	5215072	HDS-14 POWER SIDE RAMP ASSEMBLY	1	M
5	5600291	HDS-14 OFF SIDE RAMP WELDMENT	1	D
6	5620236	HDS-14 POST WELDMENT	3	E
7	5620237	HDS-14 POST WELDMENT, POWER SIDE	1	E
8	5600915	HDS-14 SERIES SAFETY LADDER WELDMENT	4	B
9	5535017	NUT M20 x 2.5 NL	4	-
10	5535303	NUT M20 x 2.5	4	-
11	5545343	WASHER, M20 FLAT	4	-
12	5545341	WASHER M10 x Ø20 FLAT	8	-
13	5530167	HHB M10 x 1.5 x 45mm	4	-
14	5535013	NUT M10 x 1.5 NL	4	-
15	5746382	HDS-14 SPACER, SAFETY LADDER, 15mm LG	4	A

DO NOT SCALE DRAWING

NAME: TM DATE: 08/01/2014

DIMENSIONS ARE IN MM

THIRD ANGLE PROJECTION

PROPRIETARY AND CONFIDENTIAL
THE INFORMATION CONTAINED IN THIS DRAWING IS THE SOLE PROPERTY OF BENDPAK INC. ANY REPRODUCTION IN PART OR AS A WHOLE WITHOUT THE WRITTEN PERMISSION OF BENDPAK INC. IS PROHIBITED.

BendPak 1645 LEMONWOOD DR. SANTA PAULA, CA 93060

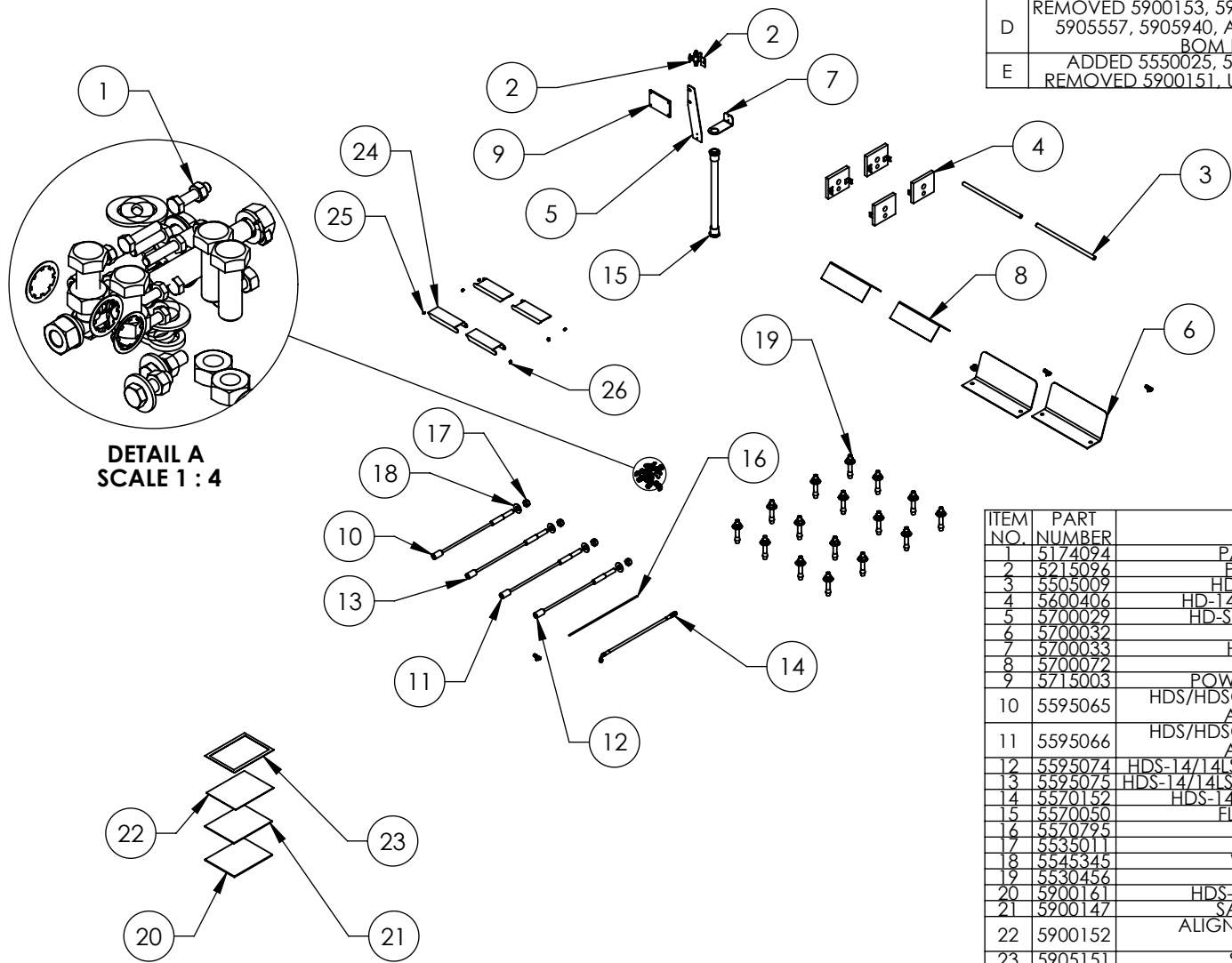
TITLE: HDS-14 LIFT SUPERSTRUCTURE

SIZE DWG. NO. A 5245402 REV E

SCALE: 1:45 SHEET 1 OF 1

NEXT ASSEMBLY
5260510

		REVISION		
REV	DESCRIPTION	DATE	EDITED BY	ECO#
C	REMOVED 5701730, 5530093, 5535112, AND 5215637, UPDATED NEXT ASSEMBLY	08/06/2014	TM	00664
D	REMOVED 5900153, 5905103, 5905200, 5905465, 5905557, 5905940, AND 5930605, UPDATED BOM REVISION	08/11/2015	TM	00683
E	ADDED 5550025, 5550026 AND 5716629, REMOVED 5900151, UPDATED BOM REVISION	09/30/2015	TM	00724



ITEM NO.	PART NUMBER	DESCRIPTION	QTY	REV
1	5174094	PARTS BAG HD/HDS-14 SERIES	1	F
2	5215096	PUSH BUTTON AIR ASSEMBLY	1	F
3	5505009	HD/HDS-14 DRIVE UP RAMP PIN	2	D
4	5600406	HD-14/HDS-14 TOP PLATE WELDMENT	4	B
5	5700029	HD-SERIES FLEX TUBE BRACKET PLATE	1	F
6	5700032	TIRE STOP	2	B
7	5700033	HD-SERIES FLEX TUBE ANGLE	1	F
8	5700072	WHEEL CHOCK	2	A
9	5715003	POWER UNIT VIBRATION DAMPENER	1	B
10	5595065	HDS/HDSO-14/14LSX/14LSXE, HDS-14X CABLE ASSEMBLY Ø12 x 4100mm ST	1	C
11	5595066	HDS/HDSO-14/14LSX/14LSXE, HDS-14X CABLE ASSEMBLY Ø12 x 5732mm ST	1	C
12	5595074	HDS-14/14LSX CABLE ASSEMBLY Ø12 x 9339mm ST	1	C
13	5595075	HDS-14/14LSX CABLE ASSEMBLY Ø12 x 10964mm ST	1	C
14	5570152	HDS-14 HOSE ASSEMBLY Ø6.4 x 3565mm	1	B
15	5570050	FLEX TUBE ASSEMBLY 1320mm	1	B
16	5570795	1/4" POLY-FLO TUBING	20000mm*	-
17	5535011	NUT M22 x 2.5 NL	4	-
18	5545345	WASHER M22 x 50mm FLAT	4	-
19	5530456	AB 3/4" x 4 - 3/4"	16	-
20	5900161	HDS-14/14X INSTALLATION MANUAL	1	-
21	5900147	SAFETY MANUAL ALL / SM 93-1	1	-
22	5900152	ALIGN OIM OPERATION INSPECTION & MAINTENANCE	1	-
23	5905151	SAFETY TIPS CARD ALL-ST 90	1	-
24	5716629	HDS-14 CROSSTUBE COVER, PLASTIC	4	A
25	5550025	FIG GRS M6x1	4	-
26	5550026	FIG GRS 1/8NPT	2	-

DO NOT SCALE DRAWING

NAME DATE

DRAWN TM 05/03/2013

CHECKED

THIRD ANGLE PROJECTION



PROPRIETARY AND CONFIDENTIAL
THE INFORMATION CONTAINED IN THIS DRAWING IS THE SOLE PROPERTY OF BENDPAK INC. ANY REPRODUCTION IN PART OR AS A WHOLE WITHOUT THE WRITTEN PERMISSION OF BENDPAK INC. IS PROHIBITED.

BendPak 1645 LEMONWOOD DR.
SANTA PAULA, CA 93060

TITLE:
PARTS BOX HDS-14

SIZE DWG. NO. REV
A 5250143 E

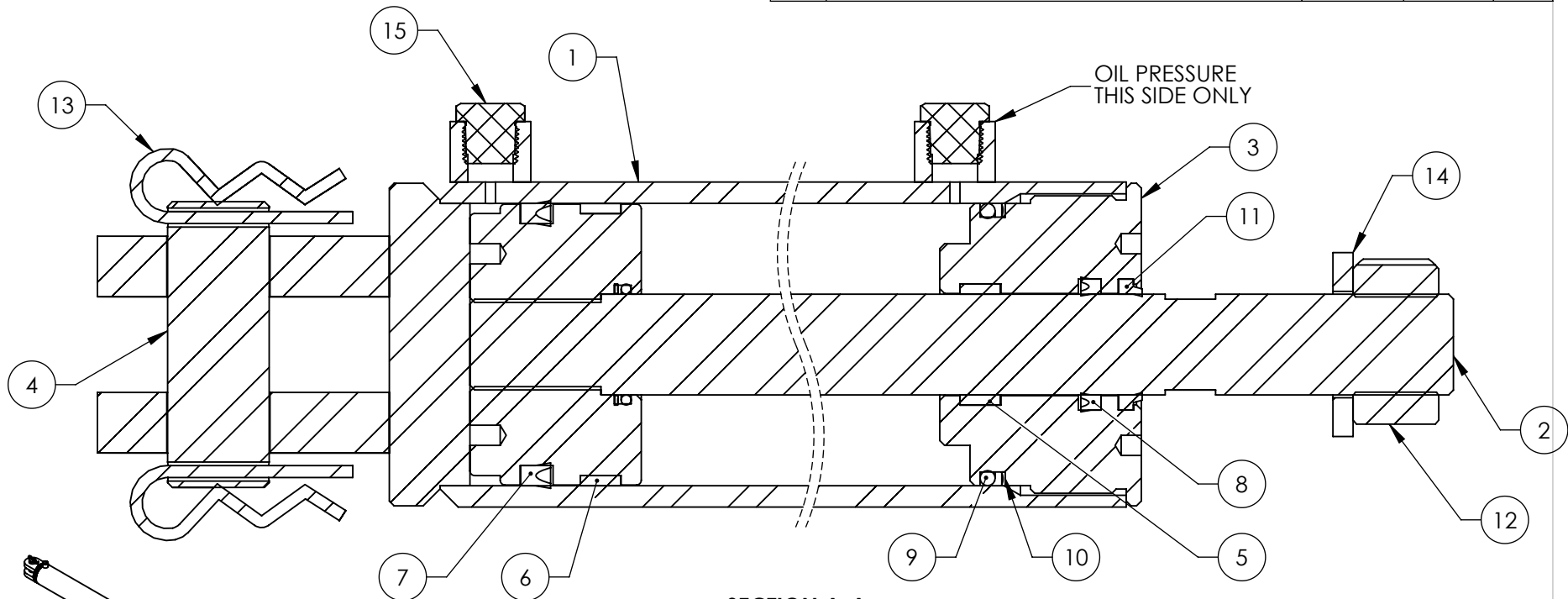
SCALE: 1:35 SHEET 1 OF 1

NEXT ASSEMBLY
5260510

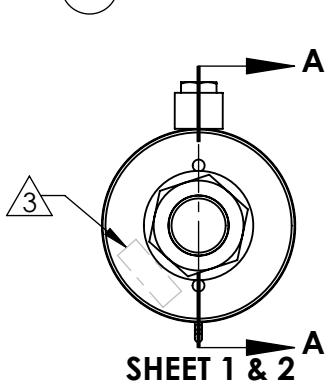
NOTE: UNLESS OTHERWISE SPECIFIED.

1. SEE SHIPPING INSTRUCTIONS FOR FINAL PACKAGING
2. INSERT PARTS BAG INTO PARTS BOX FOR SHIPMENT
3. THREAD 5535011 WITH 5545345 ONTO CABLES FOR SHIPMENT
4. HOSES AND CABLES IN REPRESENTATIONAL FORM
5. (*) LENGTH FOR REFERENCE ONLY

REV	DESCRIPTION	DATE	EDITED BY	ECO#
C	UPDATED BOM REVISION	07/31/2014	TM	00664
D	ADDED 5535009, 5545007 AND 5505350	01/14/2015	MR	00675
E	ADDED 5580112, REPLACED 5545007 WITH 5545151, REMOVED 5540280, UPDATED BOM REVISION	06/03/2015	TM	00683



ISOMETRIC VIEW
FOR REFERENCE ONLY
DO NOT SCALE



SECTION A-A
SCALE 1:2

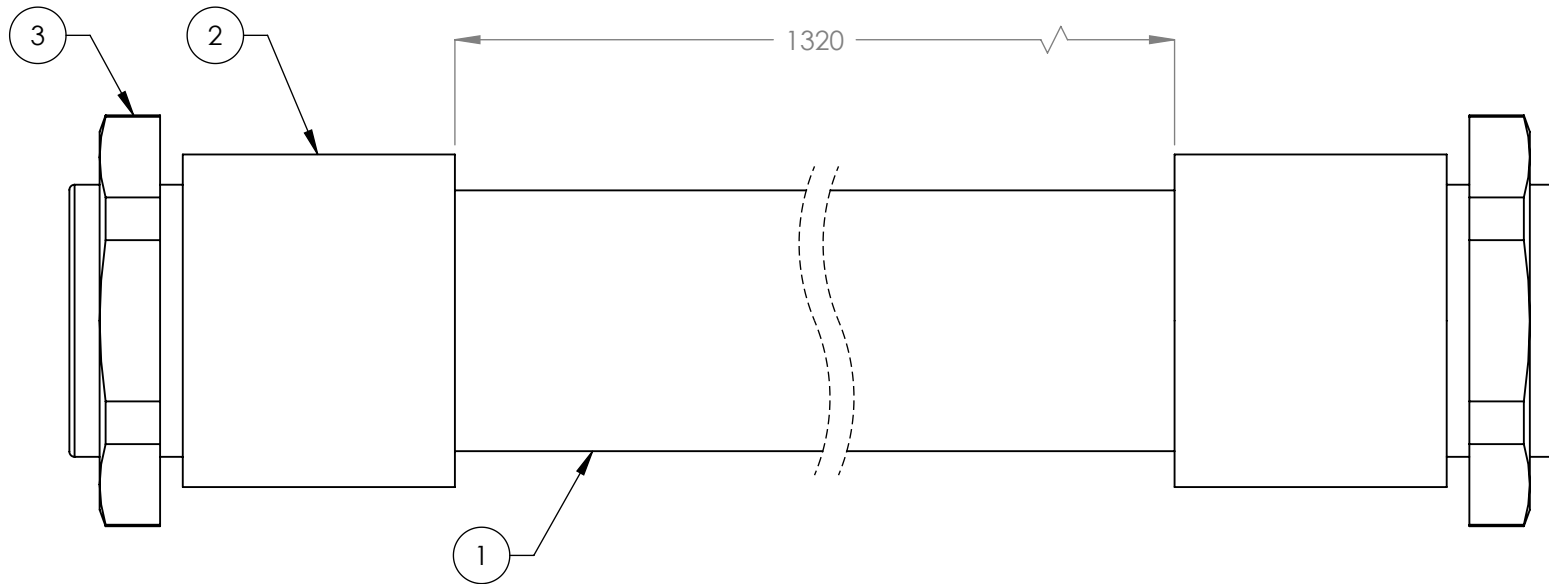
ITEM NO	PART NUMBER	DESCRIPTION	QTY	REV
1	700141	CYLINDER TUBE WELDMENT Ø3.5	1	C
2	700145	PISTON WELDMENT Ø3.5 x Ø1.25	1	F
3	700148	HEAD CAP Ø3.5	1	D
4	700149	CLEVIS PIN Ø32 x 90	1	C
5	WR-01500-0500-125	WEAR RING	1	--
6	WR 03500-0500-125	WEAR RING	1	--
7	RECO UN-3000-3500-0375	PISTON SEAL d76.20 D88.90 h9.53	1	--
8	RECO UN-1250-1625-0250	PISTON SEAL d31.75 D41.28 h6.35	1	--
9	-338 BUANA 70	O-RING 3/16 X 3 1/8 X 3 1/2	1	--
10	-338 BUANA 90	BACKUP RING	1	--
11	RECO D-1250	WIPER	1	--
12	5535009	NUT 1-1/4-12 NL	1	--
13	5505350	MODEL#211 HAIR PIN/ LARGE	2	--
14	5545151	WASHER Ø1 1/4 x 2.28 x .25" FLAT	1	--
15	5580112	3/8-18 NPT PLASTIC SCREW PLUG	2	--

NOTE: UNLESS OTHERWISE SPECIFIED.

1. GREASE SEALS PRIOR TO ASSEMBLY
2. PRESSURE TEST CYLINDER ASSEMBLY 100% TO 3,600 PSI. (NO LEAKS)
3. MARK IN APPROXIMATE LOCATION WITH THE FOLLOWING INFORMATION: MANUFACTURER
MONTH/ YEAR
PART NUMBER
4. DISOGRIN 001-096 OR HERCULES DRU25-1.12-25 MAY BE USED IN PLACE OF RECO UN-1250-1625-0250
5. PARKER 4615-SHD-01250, HERCULES ST-125 OR AFM D-1250 MAY BE USED IN PLACE OF RECO D-1250
6. PARKER 4615-UP-2500-3000-375 OR HERCULES DPU25-3.00-37 MAY BE USED IN PLACE OF RECO UN-3000-3500-0375
7. HERCULES 612-350-050 MAY BE USED IN PLACE OF WR-03500-0500-125
8. HERCULES 612-150-050 MAY BE USED IN PLACE OF WR-01500-0500-125
9. VERIFY HYDRAULIC PORTS ARE CAPPED WITH PLUGS

DO NOT SCALE DRAWING	NAME	DATE	1645 LEMONWOOD DR. SANTA PAULA, CA 93060
	DRAWN	AC 05/07/2010	
	CHECKED	CA 08/27/2015	
DIMENSIONS ARE IN INCHES	THIRD ANGLE PROJECTION		TITLE: CYLINDER ASSEMBLY Ø3.5 x 70
	<small>PROPRIETARY AND CONFIDENTIAL</small> <small>THE INFORMATION CONTAINED IN THIS DRAWING IS THE SOLE PROPERTY OF BENDPAK INC. ANY REPRODUCTION IN PART OR AS A WHOLE WITHOUT THE WRITTEN PERMISSION OF BENDPAK INC. IS PROHIBITED.</small>		SIZE DWG. NO.
			A 5502110
SCALE: 1:4			REV E
			SHEET 1 OF 2

		REVISION		
REV.	DESCRIPTION	DATE	EDITED BY	ECO#
A	PRODUCTION RELEASE	12/24/2007	AC	00104
A-001	CHANGED SURFACE FINISH FROM 3.2 μm TO 1.6 Ra μm	09/05/2008	GJ	00237
A-002	UPDATED NEXT ASSEMBLY	10/02/2008	AC	00140
B	UPDATE TUBE TO NEW STYLE, UPDATED NEXT ASSEMBLY AND TITLE	12/11/2008	AC	00256
B-001	UPDATED NEXT ASSEMBLY	05/04/2009	AC	00277
B-013	UPDATED NEXT ASSEMBLIES	05/17/2013	TM	00593



ITEM NO	PART NUMBER	DESCRIPTION	QTY.	REV
1	5570053	PE FLEX TUBE $\varnothing 34.5 \times \varnothing 29$	1386mm*	-
2	5555555	WQG1-M36/AD34.5 CONNECTOR	2	-
3	5535050	PLASTIC NUT M36 x 2	2	-

DO NOT SCALE DRAWING		NAME	DATE	1645 LEMONWOOD DR. SANTA PAULA, CA 93060
DIMENSIONS ARE IN MM TOLERANCES: 0. = ± 1.5 0.0 = ± 1.0 0.00 = ± 0.25 0.000 = ± 0.13 ANGULAR: MACH $\pm 2^\circ$ SURFACE FINISH 1.6 ISO Ra μm FOR MACHINED SURFACES UNLESS OTHERWISE SPECIFIED MATERIAL:		DRAWN	AC	
		CHECKED		
		THIRD ANGLE PROJECTION		TITLE:
				FLEX TUBE ASSEMBLY 1320mm
		SIZE DWG. NO.		REV
		A 5570050		B
		SCALE: 1:1		SHEET 1 OF 1

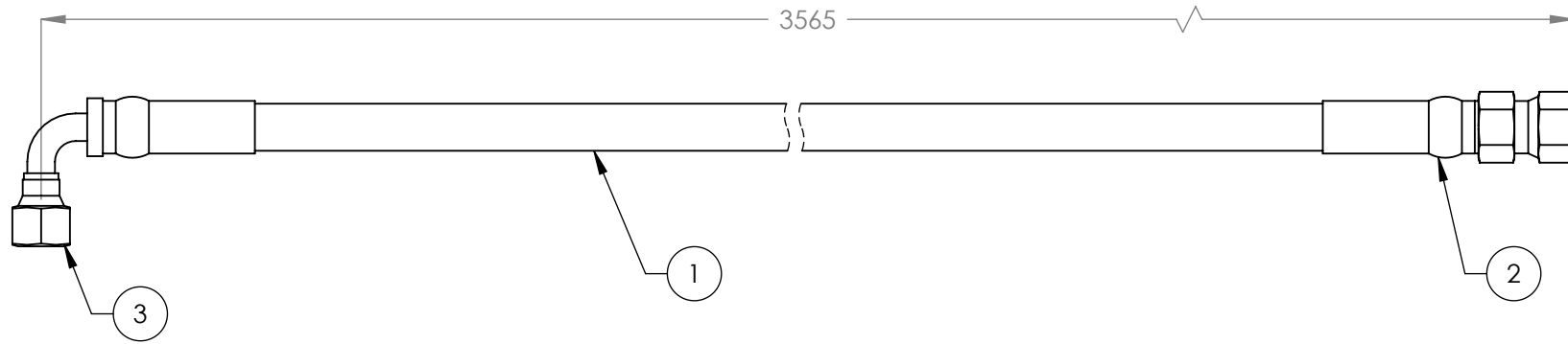
NOTE: UNLESS OTHERWISE SPECIFIED.

- FOR ITEM 1 SPECIFICATIONS REFER TO PART SPECIFICATION FORM
- (*)ITEM 1 QTY FOR REFERENCE ONLY



NEXT ASSEMBLY
HD/HDS/HDSO
SERIES

PROPRIETARY AND CONFIDENTIAL
THE INFORMATION CONTAINED IN THIS DRAWING IS THE SOLE PROPERTY OF BENDPAK INC. ANY REPRODUCTION IN PART OR AS A WHOLE WITHOUT THE WRITTEN PERMISSION OF BENDPAK INC. IS PROHIBITED.

REVISION				
REV	DESCRIPTION	DATE	EDITED BY	ECO#
A	PRODUCTION RELEASE	03/11/2009	GJZ	00249
A-001	UPDATED NEXT ASSEMBLY	05/17/2013	TM	00593
B	REPLACED 5570110 WITH 5570129	09/30/2015	TM	00724



ITEM NO	PART NUMBER	DESCRIPTION	QTY.	REV
1	5570129	Ø6.4 ID HYDRAULIC HOSE	3485mm*	-
2	5550325	FTG NPL Ø1/4 CRIMP x -04 JIC		-
3	5550345	FIG ELB Ø1/4 CRIMP x -04 JIC		-

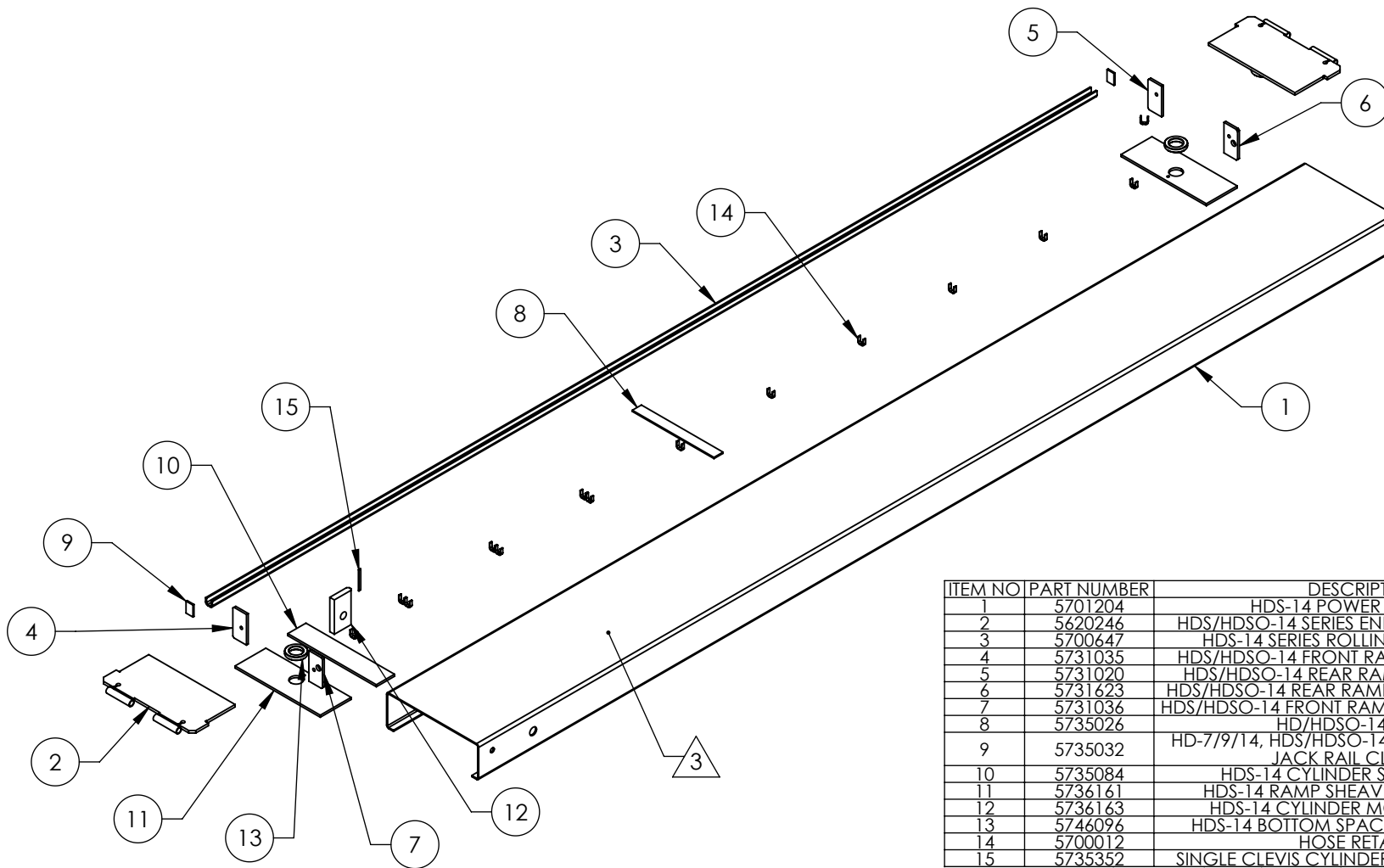
DO NOT SCALE DRAWING		NAME	DATE	 1645 LEMONWOOD DR. SANTA PAULA, CA 93060
		DRAWN	GJZ 03/11/2009	
		CHECKED		
DIMENSIONS ARE IN MM TOLERANCES: 0. = ±1.5 0.0 = ±0.5 ANGULAR: 0. = ±2° SURFACE FINISH 1.6 ISO Ra µm FOR MACHINED SURFACES UNLESS OTHERWISE SPECIFIED		THIRD ANGLE PROJECTION 		TITLE: HDS-14 HOSE ASSEMBLY Ø6.4 x 3565mm
		PROPRIETARY AND CONFIDENTIAL THE INFORMATION CONTAINED IN THIS DRAWING IS THE SOLE PROPERTY OF BENDPAK INC. ANY REPRODUCTION IN PART OR AS A WHOLE WITHOUT THE WRITTEN PERMISSION OF BENDPAK INC. IS PROHIBITED.		SIZE DWG. NO. REV A 5570152 B
			SCALE: 1:2	SHEET 1 OF 1

NOTE: UNLESS OTHERWISE SPECIFIED.

- FOR ITEM 1 SPECIFICATIONS REFER TO PART SPECIFICATION FORM
- ITEM 1 QTY FOR REFERENCE ONLY

NEXT ASSEMBLY
5250143

		REVISION		
REV	DESCRIPTION	DATE	EDITED BY	ECO#
C	UPDATED BOM REVISION	08/10/2010	TM	00388
D	MOVED 5735032 UP 12mm, UPDATED BOM REVISION	10/18/2010	TM	00414
D-001	ROLLING BRIDGE BEAM WELD WAS 6 x 100-300 NOW 5 x 60-350	11/22/2010	TM	00427
E	UPDATED BOM REVISION, ADDED 5735352	12/29/2010	AC	00431
E-001	ADDED 6mm WELD TO BOTTOM OF 5736163	08/10/2011	TM	00479



ITEM NO	PART NUMBER	DESCRIPTION	QTY	REV
1	5701204	HDS-14 POWER SIDE RAMP	1	A
2	5620246	HDS/HDSO-14 SERIES END PLATE WELDMENT	2	B
3	5700647	HDS-14 SERIES ROLLING BRIDGE BEAM	1	A
4	5731035	HDS/HDSO-14 FRONT RAMP SUPPORT PLATE	1	A
5	5731020	HDS/HDSO-14 REAR RAMP SUPPORT PLATE	1	A
6	5731623	HDS/HDSO-14 REAR RAMP AIR SUPPORT PLATE	1	A
7	5731036	HDS/HDSO-14 FRONT RAMP AIR SUPPORT PLATE	1	A
8	5735026	HD/HDSO-14 TIE BAR	1	E
9	5735032	HD-7/9/14, HDS/HDSO-14, XR-12000 ROLLING JACK RAIL CLOSEOUT	2	A
10	5735084	HDS-14 CYLINDER SUPPORT PLATE	1	A
11	5736161	HDS-14 RAMP SHEAVE BOTTOM PLATE	2	B
12	5736163	HDS-14 CYLINDER MOUNTING PLATE	1	A
13	5746096	HDS-14 BOTTOM SPACER, RAMP SHEAVE	2	A
14	5700012	HOSE RETAINER	14	B
15	5735352	SINGLE CLEVIS CYLINDER ALIGNMENT PLATE	1	A

NOTE: UNLESS OTHERWISE SPECIFIED.

1. BREAK AND DEBURR ALL SHARP EDGES 0.3mm
2. REMOVE ALL WELD SPLATTER
3. APPLY #30 GRIT ALUMINUM OXIDE TO TOP SURFACE AFTER WELDING & BEFORE PAINTING
4. PAINT BENDPAK BLUE

NEXT ASSEMBLY
5215072

DO NOT SCALE DRAWING

DIMENSIONS ARE IN MM
TOLERANCES:
0. = ±1.5
0.0 = ±0.5

ANGULAR: 0. = ±2°

SURFACE FINISH 1.6 ISO Ra μm
FOR MACHINED SURFACES
UNLESS OTHERWISE SPECIFIED

MATERIAL:

SIZE:

NAME DATE

DRAWN GJZ 11/14/2008

CHECKED

THIRD ANGLE PROJECTION



PROPRIETARY AND CONFIDENTIAL
THE INFORMATION CONTAINED IN THIS DRAWING IS
THE SOLE PROPERTY OF BENDPAK INC. ANY
REPRODUCTION IN PART OR AS A WHOLE WITHOUT
THE WRITTEN PERMISSION OF BENDPAK INC. IS
PROHIBITED.

BendPak 1645 LEMONWOOD DR.
SANTA PAULA, CA 93060

TITLE: HDS-14 POWER SIDE
RAMP WELDMENT

SIZE DWG. NO.

A 5600178

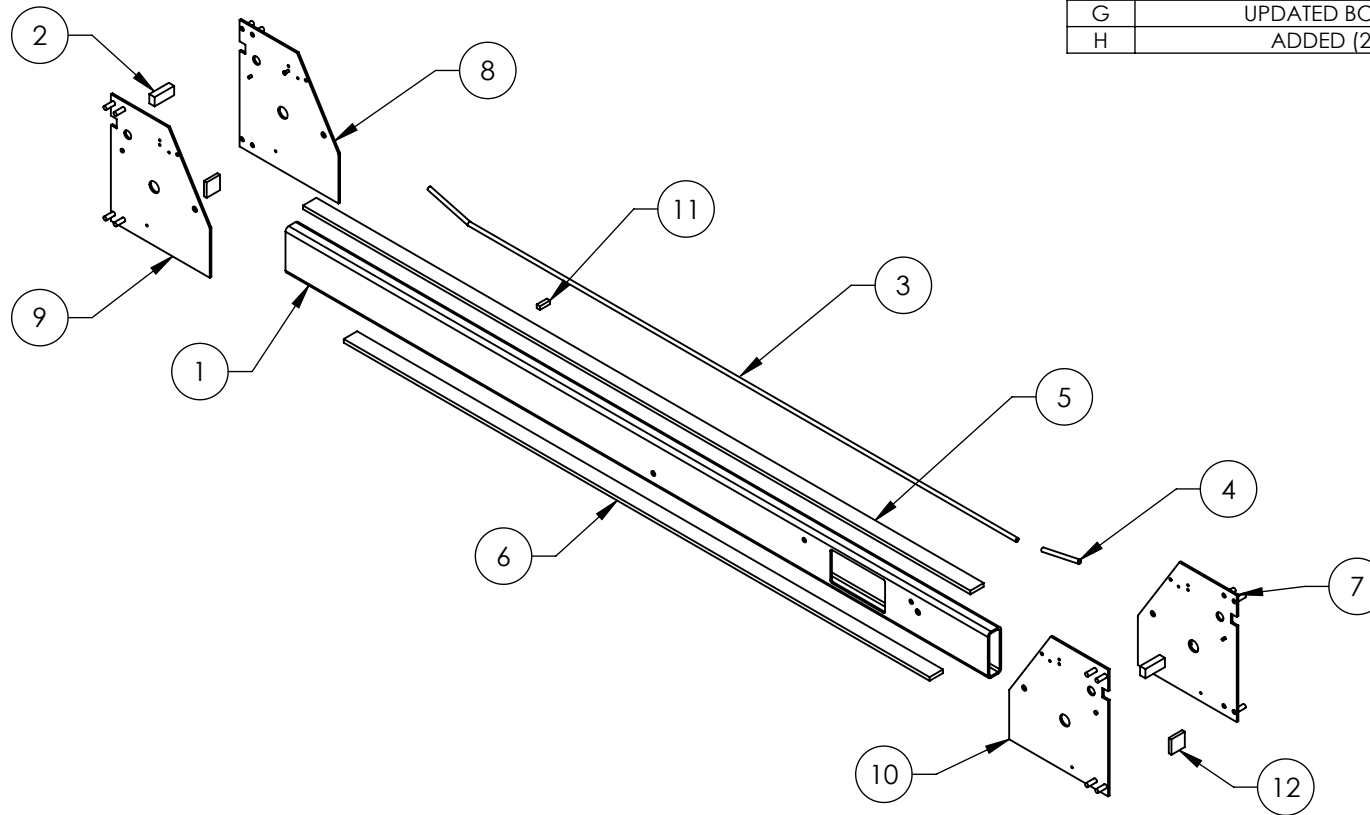
REV

E

SCALE: 1:25

SHEET 1 OF 3

REV	DESCRIPTION	REVISION	DATE	EDITED BY	ECO#
F	UPDATED BOM REVISIONS AND NEXT ASSEMBLY		04/25/2013	TM	00593
G	UPDATED BOM REVISION		03/31/2014	TM	00648
H	ADDED (2) 5735073		01/22/2016	JM	00741



ITEM NO	PART NUMBER	DESCRIPTION	QTY	REV
1	5766077	HDS-14 CROSSTUBE, LARGE WINDOW	1	B
2	5735027	CROSSTUBE SAFETY BLOCK	2	C
3	5755010	AIR SAFETY TROUGH	1	C
4	5755011	SMALL AIR SAFETY TROUGH	1	C
5	5735023	HD-14 SERIES TOP CROSS TUBE STRAP	1	E
6	5735039	HD/HDSO-14 BOTTOM CROSS TUBE STRAP	1	E
7	5620228	HDS-14 CROSSTUBE END PLATE #1 WELDMENT	1	G
8	5620229	HDS-14 CROSSTUBE END PLATE #2 WELDMENT	1	G
9	5620230	HDS-14 CROSSTUBE END PLATE #3 WELDMENT	1	F
10	5620231	HDS-14 CROSSTUBE END PLATE #4 WELDMENT	1	F
11	5760003	HD-12/14 RAMP STOP	1	D
12	5735073	HDO/HDSO-14 CARRIAGE TIE BLOCK	2	B

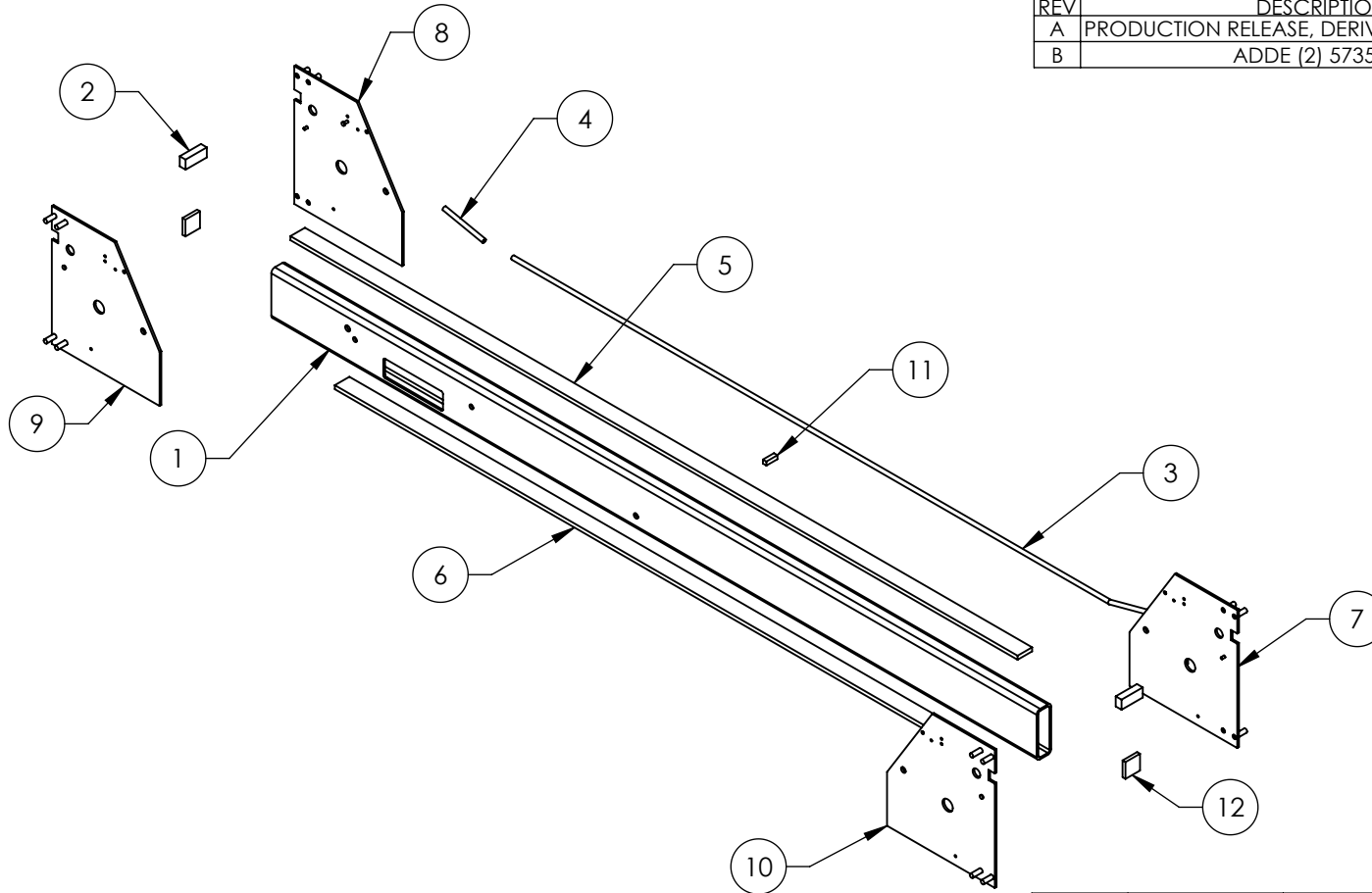
DO NOT SCALE DRAWING	NAME	DATE	1645 LEMONWOOD DR. SANTA PAULA, CA 93060
	DRAWN	GJZ 11/12/2008	
	CHECKED		TITLE: HDS-14 CROSSTUBE WELDMENT, LARGE WINDOW
	THIRD ANGLE PROJECTION		
DIMENSIONS ARE IN MM TOLERANCES: 0. = ±1.5 0.0 = ±0.5 ANGULAR: 0. = ±2° SURFACE FINISH 1.6 ISO Ra μm FOR MACHINED SURFACES UNLESS OTHERWISE SPECIFIED			SIZE DWG. NO. A 5600276
	PROPRIETARY AND CONFIDENTIAL THE INFORMATION CONTAINED IN THIS DRAWING IS THE SOLE PROPERTY OF BENDPAK INC. ANY REPRODUCTION IN PART OR AS A WHOLE WITHOUT THE WRITTEN PERMISSION OF BENDPAK INC. IS PROHIBITED.		REV H
	SCALE: 1:20		SHEET 1 OF 2

NOTE: UNLESS OTHERWISE SPECIFIED.

- BREAK AND DEBURR ALL SHARP EDGES 0.3mm
- REMOVE ALL WELD SPLATTER
- PAINT BENDPAK BLUE

NEXT ASSEMBLY
5215597

REV	DESCRIPTION	REVISION	DATE	EDITED BY	ECO#
A	PRODUCTION RELEASE, DERIVED FROM 5600277		08/18/2014	TM	00664
B	ADDE (2) 5735073		01/22/2016	JM	00741



ITEM NO	PART NUMBER	DESCRIPTION	QTY	REV
1	5766036	HDS-14 CROSSTUBE, SMALL WINDOW	1	C
2	5735027	CROSSTUBE SAFETY BLOCK	2	C
3	5755010	AIR SAFETY TROUGH	1	C
4	5755011	SMALL AIR SAFETY TROUGH	1	C
5	5735023	HD-14 SERIES TOP CROSS TUBE STRAP	1	E
6	5735039	HD/HDSO-14 BOTTOM CROSS TUBE STRAP	1	E
7	5620228	HDS-14 CROSSTUBE END PLATE #1 WELDMENT	1	G
8	5620229	HDS-14 CROSSTUBE END PLATE #2 WELDMENT	1	G
9	5620230	HDS-14 CROSSTUBE END PLATE #3 WELDMENT	1	F
10	5620231	HDS-14 CROSSTUBE END PLATE #4 WELDMENT	1	F
11	5760003	HD-12/14 RAMP STOP	1	D
12	5735073	HDO/HDSO-14 CARRIAGE TIE BLOCK	2	B

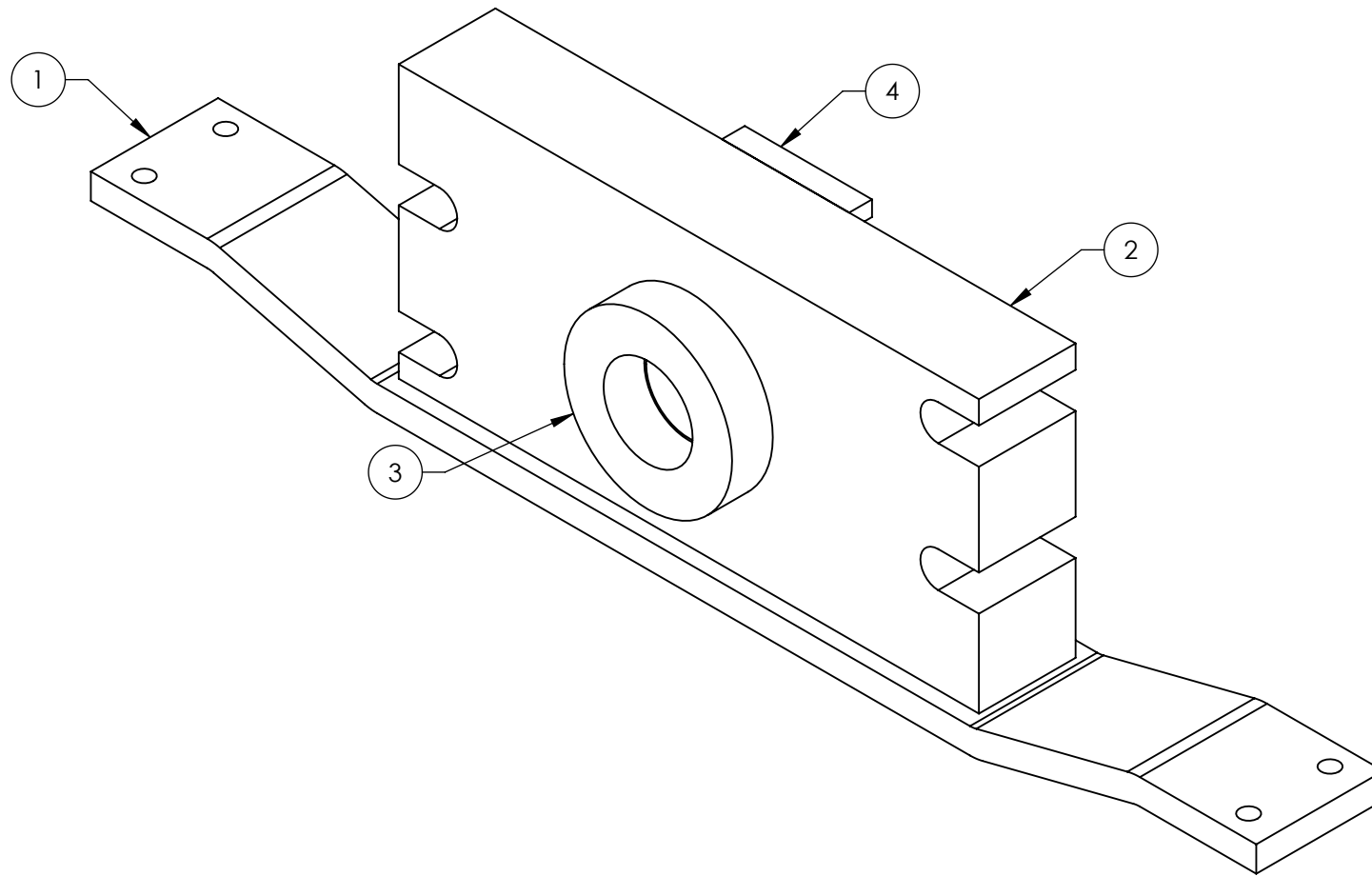
DO NOT SCALE DRAWING		NAME	DATE	1645 LEMONWOOD DR. SANTA PAULA, CA 93060	
DIMENSIONS ARE IN MM TOLERANCES: 0. = ±1.5 0.0 = ±0.5		DRAWN	TM	08/18/2014	
ANGULAR: 0. = ±2°		CHECKED			
SURFACE FINISH 1.6 ISO R _a μm FOR MACHINED SURFACES UNLESS OTHERWISE SPECIFIED		THIRD ANGLE PROJECTION		TITLE: HDS-14 CROSSTUBE WELDMENT, SMALL WINDOW	
				SIZE DWG. NO.	
				REV	
				A 5600923 B	
				SCALE: 1:18	
				SHEET 1 OF 2	

NOTE: UNLESS OTHERWISE SPECIFIED.

- BREAK AND DEBURR ALL SHARP EDGES 0.3mm
- REMOVE ALL WELD SPLATTER
- PAINT BENDPAK BLUE

NEXT ASSEMBLY
5215663

REV	DESCRIPTION	REVISION	DATE	EDITED BY	ECO#
A	PRODUCTION RELEASE, DERIVED FROM 5600079		08/04/2014	TM	00664



ITEM NO.	PART NUMBER	DESCRIPTION	QTY.	REV
1	5701732	HDS-14 CYLINDER FLANGE ARM	1	A
2	5736820	HDS/HDSO-14 CABLE RETAINER BLOCK	1	A
3	5745317	HD-14 SERIES CYLINDER FLANGE ARM SPACER	1	B
4	5735289	HD/HDS-14 CYLINDER FLANGE ARM SPACER	1	B

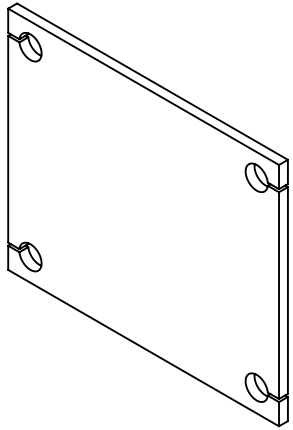
DO NOT SCALE DRAWING		NAME	DATE	1645 LEMONWOOD DR. SANTA PAULA, CA 93060
DIMENSIONS ARE IN MM TOLERANCES: 0. = ±1.5 0.0 = ±0.5 ANGULAR: 0. = ±2° SURFACE FINISH 1.6 ISO R _a μm FOR MACHINED SURFACES UNLESS OTHERWISE SPECIFIED		DRAWN	TM 08/04/2014	
		CHECKED		TITLE: HDS/HDSO-14 CYLINDER FLANGE ARM WELDMENT
		THIRD ANGLE PROJECTION		
				SIZE DWG. NO. REV A 5600924 A
		PROPRIETARY AND CONFIDENTIAL THE INFORMATION CONTAINED IN THIS DRAWING IS THE SOLE PROPERTY OF BENDPAK INC. ANY REPRODUCTION IN PART OR AS A WHOLE WITHOUT THE WRITTEN PERMISSION OF BENDPAK INC. IS PROHIBITED.		SCALE: 1:2 SHEET 1 OF 2

NOTE: UNLESS OTHERWISE SPECIFIED.

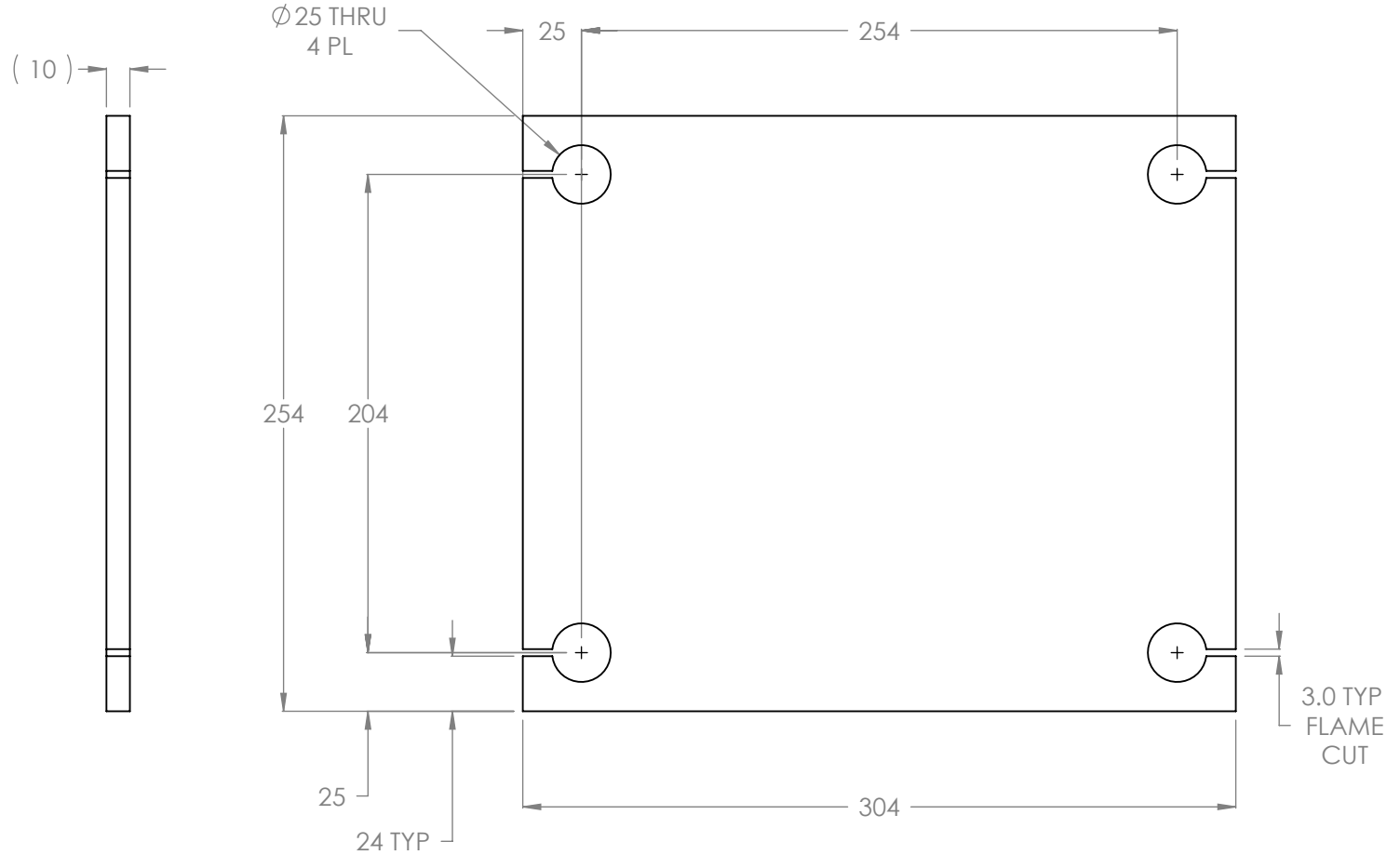
- BREAK AND DEBURR ALL SHARP EDGES 0.3mm
- REMOVE ALL WELD SPLATTER
- PAINT BENDPAK BLUE

NEXT ASSEMBLY
5215664

REVISION				
REV.	DESCRIPTION	DATE	EDITED BY	ECO#
B	UPDATE SHEET TEMPLATE	03/31/2008	MT	00157
B-001	CHANGED SURFACE FINISH FROM 3.2 μm TO 1.6 Ra μm	09/10/2008	GJ	00237
B-002	UPDATED NEXT ASSEMBLY	10/30/2008	AC	00174
B-003	UPDATED NEXT ASSEMBLY	11/12/2008	TM	00249
C	UPDATED TITLE TO REFLECT WHERE USED	02/26/2010	AC	00333
D	UPDATED TITLE TO REFLECT WHERE USED	06/02/2010	AC	00366
D-001	UPDATED NEXT ASSEMBLIES	11/01/2011	TM	00487





ISOMETRIC VIEW
FOR REFERENCE ONLY
DO NOT SCALE



NOTE: UNLESS OTHERWISE SPECIFIED.

1. BREAK AND DEBURR ALL SHARP EDGES 0.3mm.

NEXT ASSEMBLY
5600182
5600183
5600184
5600185
5600524
5600525
5600639
5600640
5600903
5600904
5620236
5620237

DO NOT SCALE DRAWING	NAME	DATE	 BendPak 1645 LEMONWOOD DR. SANTA PAULA, CA 93060
DIMENSIONS ARE IN MM TOLERANCES: 0. = ± 1.5 0.0 = ± 0.5 ANGULAR: 0. = $\pm 2^\circ$ SURFACE FINISH 1.6 ISO Ra μm FOR MACHINED SURFACES UNLESS OTHERWISE SPECIFIED MATERIAL: HR ASTM A36 OR Q235 GB/T 700 SIZE: 10mm THK	DRAWN GJZ	02/29/2008	
	CHECKED		TITLE: HD-7P/7500/9/14 SERIES POST BASE PLATE SIZE DWG. NO. A 5731632 REV D
	THIRD ANGLE PROJECTION 		
PROPRIETARY AND CONFIDENTIAL THE INFORMATION CONTAINED IN THIS DRAWING IS THE SOLE PROPERTY OF BENDPAK INC. ANY REPRODUCTION IN PART OR AS A WHOLE WITHOUT THE WRITTEN PERMISSION OF BENDPAK INC. IS PROHIBITED.			SCALE: 1:3 SHEET 1 OF 1

PART SPECIFICATION FORM

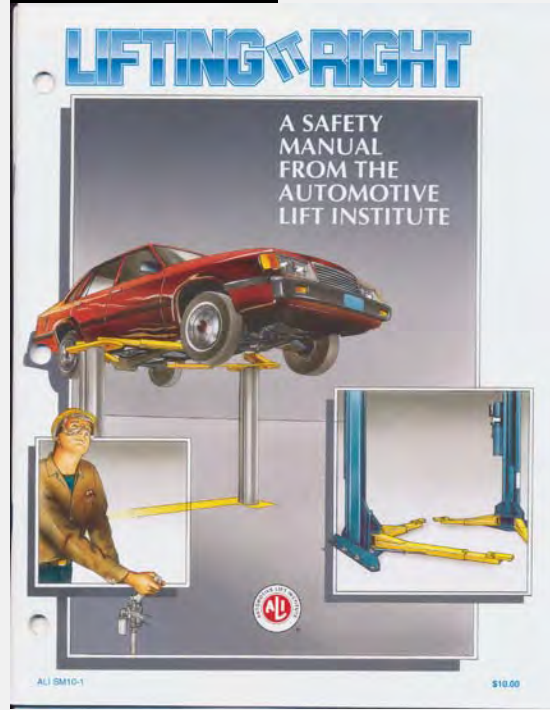
BENDPAK Number:	5900147
MRP Description:	SAFETY MANUAL ALI / SM 93-1
Date:	12/28/2010
ECO :	00431

1. Engineering Specification

Application:

ALI SAFETY MANUAL

Detailed Description:



2. Vendor Information

Approved Vendor	Vendor Part #	Contact #	Preferred Vendor
1)			

PART SPECIFICATION FORM

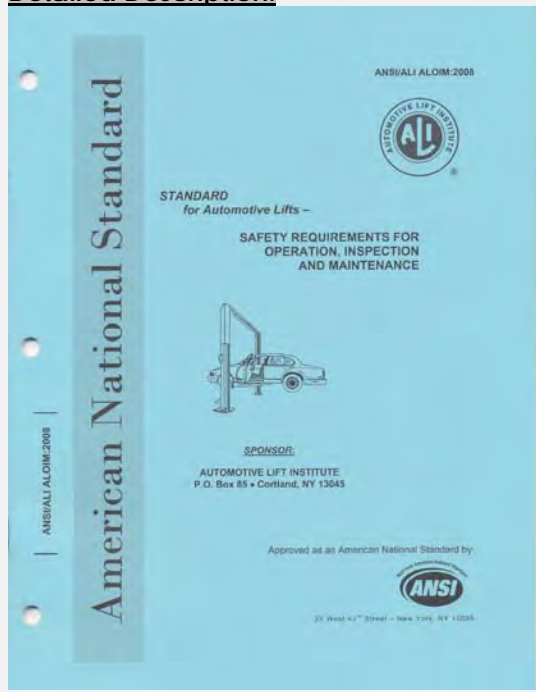
BENDPAK Number:	5900152
MRP Description:	ALIGN OIM OPERATION INSPECTION & MAINTENANCE
Date:	12/28/2010
ECO :	00431

1. Engineering Specification

Application:

ALI OPERATION INSPECTION & MAINTENANCE MANUAL

Detailed Description:



2. Vendor Information

Approved Vendor	Vendor Part #	Contact #	Preferred Vendor
1)			

PART SPECIFICATION FORM

BENDPAK Number:	5900161
MRP Description:	HDS-14/14X INSTALLATION MANUAL
Date:	07/12/2013
ECO :	00593

1. Engineering Specification

Application:

INSTALLATION MANUAL

Detailed Description:



WARNING
PLEASE READ THE ENTIRE CONTENTS OF THIS MANUAL PRIOR TO INSTALLATION AND OPERATION. YOU AGREE THAT YOU FULLY UNDERSTAND AND COMPREHEND THE FULL CONTENTS OF THIS MANUAL. FAILURE TO OPERATE THIS EQUIPMENT AS DIRECTED MAY CAUSE INJURY OR DEATH.
Manual REV 0 (12-05-11) 400 933-9970

IMPORTANT SAFETY INSTRUCTIONS
SAVE THESE INSTRUCTIONS

EUROPEAN USERS
400V 50HZ SUPPLY DETAILS ARE INCLUDED WITH ELECTRICAL CONTROL BOX. CONSULT SUPPLY WIRING DETAILS IN THIS MANUAL.

INSTALLATION AND OPERATION MANUAL

14,000 POUND CAPACITY COMMERCIAL GRADE FOUR-POST LIFTS

MODELS:
HDS-14
HDS-14X

READ FIRST
Do not operate or attempt to operate this equipment until you have read and understood the content of this manual.

CRITICAL INSTRUCTIONS IN ENGLISH LANGUAGE

RECEIVING
The shipment should be thoroughly inspected as soon as it is received. The signed Bill of Lading is acknowledgment by the shipping carrier as receipt of this product as listed in your invoice as being in a good condition of shipment. If any of these goods listed on the Bill of Lading are missing or damaged, do not accept goods until the shipping carrier makes a notation on the freight bill of the missing or damaged goods. Do this for your own protection.

BE SAFE
Your new lift was designed and built with safety in mind. However, your overall safety can be increased with proper training and thoughtful operation on the part of the operator. DO NOT operate or repair this equipment without reading this manual and the important safety instructions shown inside. Keep this operation manual near the lift at all times. Make sure that ALL USERS read and understand this manual.

BendPak
PROVIDING AUTOMOTIVE SERVICE SOLUTIONS

1645 Lemonwood Dr.
Santa Paula, CA. 93060, USA
Toll Free 1-805-933-9970
Tel: 1-805-933-9970
Fax: 1-805-933-9160
www.bendpak.com

2. Vendor Information

Approved Vendor	Vendor Part #	Contact #	Preferred Vendor
1)			

PART SPECIFICATION FORM

BENDPAK Number:	5905103
MRP Description:	WARNING ALI/WL 200
Date:	05/06/2013
ECO :	00593

1. Engineering Specification

Application:

ALI 4 POST SAFETY STICKER KIT

Detailed Description:



SIZE: 11" L x 8.5" W (279mm x 216mm)

2. Vendor Information

Approved Vendor	Vendor Part #	Contact #	Preferred Vendor
1)			

PART SPECIFICATION FORM

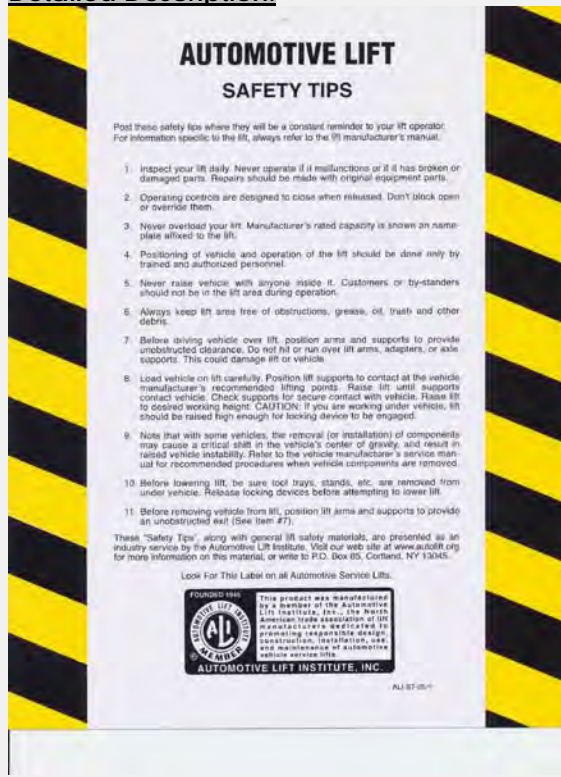
BENDPAK Number:	5905151
MRP Description:	SAFETY TIPS CARD ALI-ST 90
Date:	12/28/2010
ECO :	00431

1. Engineering Specification

Application:

ALI SAFETY TIPS

Detailed Description:



2. Vendor Information

Approved Vendor	Vendor Part #	Contact #	Preferred Vendor
1)			

PART SPECIFICATION FORM

BENDPAK Number:	5905311
MRP Description:	BENDPAK LABEL; 4 x 38" WHITE INK
Date:	05/13/2015
ECO :	00689

1. Engineering Specification

Application:

BENDPAK LABEL

Detailed Description:



SIZE: 38" L x 4.25" W (965mm x 108mm)

- Material: Yellow Represents Clear Adhesive PET
- Size: 4.25"W x 38"H
- Thickness: 4 Mil
- Finish: Polished
- Ink: U.V. protected, Opaque White
- Print Process: Silk Screen, 85 line-screen (Opaque White ink, clear adhesive PET will fill in blank areas.)
- Lamination: Clear-gloss over-laminate for abrasion, chemical, and ultra violet protection

2. Vendor Information

Approved Vendor	Vendor Part #	Contact #	Preferred Vendor
1)			

B

E

N

D

P

A

K

BENDPAK

ABOVE-GROUND LIFTS



1645 Lemonwood Drive
Santa Paula, CA 93060
U.S.A.
(805) 933-9970
www.bendpak.com

PART SPECIFICATION FORM

BENDPAK Number:	5905465
MRP Description:	MANUFACTURER LABEL
Date:	05/07/2013
ECO :	00593

1. Engineering Specification

Application:

MANUFACTURER LABEL

Detailed Description:

MFD. BY BENDPAK INC.

LIFT TYPE: SURFACE MOUNT CAPACITY: MED/HVY DTY
 POWER: ELECTRIC/HYDRAULIC ANCHORS: AS EQUIPPED
 INSTALLATION - SEE OWNERS GUIDE OR CONTACT FACTORY

SIZE: 5.125" L x 5.125" W (130mm x 130mm)

SHIPPING DAMAGE CLAIMS

WHEN THIS EQUIPMENT IS SHIPPED, TITLE PASSES TO THE PURCHASER UPON RECEIPT FROM THE CARRIER. CONSEQUENTLY, CLAIMS FOR THE MATERIAL DAMAGED IN SHIPMENT MUST BE MADE BY THE PURCHASER AGAINST THE TRANSPORTATION COMPANY AT THE TIME SHIPMENT IS RECEIVED.

PLEASE READ ALL OPERATORS/USERS MANUAL(S) PRIOR TO INSTALLATION AND OPERATION. UNDERSTAND AND COMPREHEND THE FULL CONTENTS OF EACH MANUAL(S) PRIOR TO INSTALLATION AND OPERATION. DELIVER THE MANUAL(S) TO ALL OPERATORS. FAILURE TO OPERATE THIS EQUIPMENT AS DIRECTED MAY CAUSE INJURY OR DEATH.

IMPORTANT NOTE:

BENDPAK LIFTS ARE SUPPLIED WITH CONCRETE FASTENERS MEETING THE CRITERIA AS PRESCRIBED BY ASTM E488 - 96(2003). LIFT BUYERS ARE RESPONSIBLE FOR ANY SPECIAL REGIONAL STRUCTURAL AND/OR SEISMIC ANCHORING REQUIREMENTS SPECIFIED BY ANY OTHER AGENCIES AND/OR CODES SUCH AS THE UNIFORM BUILDING CODE (UBC) AND/OR INTERNATIONAL BUILDING CODE (IBC).



INTERNAL BAR CODE - FOR FACTORY AUDIT ONLY 34086

BPK	STYOT	P20KVR	X18576	HVY DTY/ GVR 832
-----	-------	--------	--------	---------------------

THE MANUFACTURE, USE, SALE OR IMPORT OF THIS PRODUCT MAY BE SUBJECT TO ONE OR MORE UNITED STATES PATENTS, OR PENDING APPLICATIONS, OWNED BY BENDPAK, INC.

ENGINEERED BY BENDPAK INC USA

MADE IN CHINA

2. Vendor Information

Approved Vendor	Vendor Part #	Contact #	Preferred Vendor
1)			

MFD. BY BENDPAK INC.

LIFT TYPE: SURFACE MOUNT CAPACITY: MED/HVY DTY

POWER: ELECTRIC/HYDRAULIC ANCHORS: AS EQUIPPED

INSTALLATION - SEE OWNERS GUIDE OR CONTACT FACTORY

SHIPPING DAMAGE CLAIMS

WHEN THIS EQUIPMENT IS SHIPPED, TITLE PASSES TO THE PURCHASER UPON RECEIPT FROM THE CARRIER. CONSEQUENTLY, CLAIMS FOR THE MATERIAL DAMAGED IN SHIPMENT MUST BE MADE BY THE PURCHASER AGAINST THE TRANSPORTATION COMPANY AT THE TIME SHIPMENT IS RECEIVED.

PLEASE READ ALL OPERATORS/USERS MANUAL(S) PRIOR TO INSTALLATION AND OPERATION. UNDERSTAND AND COMPREHEND THE FULL CONTENTS OF EACH MANUAL(S) PRIOR TO INSTALLATION AND OPERATION. DELIVER THE MANUAL(S) TO ALL OPERATORS. FAILURE TO OPERATE THIS EQUIPMENT AS DIRECTED MAY CAUSE INJURY OR DEATH.

IMPORTANT NOTE:

BENDPAK LIFTS ARE SUPPLIED WITH CONCRETE FASTENERS MEETING THE CRITERIA AS PRESCRIBED BY ASTM E488 - 96(2003). LIFT BUYERS ARE RESPONSIBLE FOR ANY SPECIAL REGIONAL STRUCTURAL AND/OR SEISMIC ANCHORING REQUIREMENTS SPECIFIED BY ANY OTHER AGENCIES AND/OR CODES SUCH AS THE UNIFORM BUILDING CODE (UBC) AND/OR INTERNATIONAL BUILDING CODE (IBC).



INTERNAL BAR CODE - FOR FACTORY AUDIT ONLY 34086

BPK	STYOT	P20KVR	X18576	HVY DTY/	GVR
					832

THE MANUFACTURE, USE, SALE OR IMPORT OF THIS PRODUCT MAY BE SUBJECT TO ONE OR MORE UNITED STATES PATENTS, OR PENDING APPLICATIONS, OWNED BY BENDPAK, INC.

ENGINEERED BY BENDPAK INC USA

MADE IN CHINA

PART SPECIFICATION FORM

BENDPAK Number:	5905556
MRP Description:	4-POST SAFETY DECAL
Date:	05/06/2013
ECO :	00593

1. Engineering Specification

Application:

4-POST SAFETY DECAL

Detailed Description:



SIZE: 23" L x 4" W (584m x 100mm)

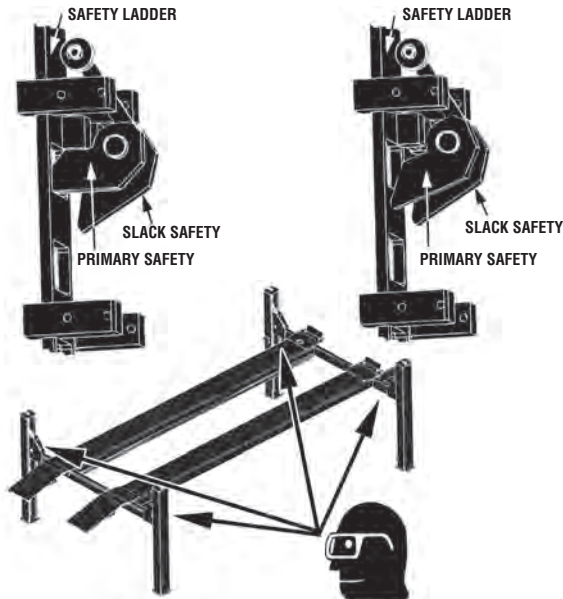
2. Vendor Information

Approved Vendor	Vendor Part #	Contact #	Preferred Vendor
1)			

! DANGER

**SAFETY LOCKS ENGAGED
- OK TO PROCEED -**

**SAFETY LOCK NOT ENGAGED
- REMAIN CLEAR -**



VISUALLY CONFIRM THAT ALL PRIMARY SAFETY LOCKS ARE ENGAGED BEFORE ENTERING WORK AREA.

Suspension components used on this lift are intended to raise and lower lift only and are NOT meant to be load-holding devices. Remain clear of elevated lift unless visual confirmation is made that all primary safety locks are fully engaged and the lift is LOWERED onto the safety locks. Refer to installation/operation manual for proper safety lock procedures and/or further instruction.

! WARNING

WIRE ROPE INSPECTION AND MAINTENANCE

- Lifting cables should be replaced every (3) three years or when visible signs of damage are apparent. DO NOT USE LIFT WITH DEFECTIVE OR WORN CABLES.
- Wire rope should be maintained in a well-lubricated condition at all times. Wire rope is only fully protected when each wire strand is lubricated both internal and external. Excessive wear will shorten the life of the wire rope. The factory suggests wire rope lubricant that penetrates to the core of the rope and provides long-term lubrication between each individual strand. In order to make sure that the inner layers of the rope remain well lubricated, lubrication should be carried out at intervals not exceeding three (3) months during operation.
- All sheaves and guide rollers in contact with the moving wire rope should be given regular visual checks for surface wear and lubricated to make sure that they run freely. This operation should be carried out at appropriate intervals generally not exceeding three (3) months during operation. For all sheave axles, the factory recommends standard wheel bearing grease. For all sheaves and/or guide rollers, the factory recommends 90-WT gear oil or similar heavy lubricant applied by any method including pump/spray dispensing, brush, hand and/or swabbing.

Failure to read, understand and follow these instructions may cause death or serious injury. Read and understand these instructions before using lift.

IMPORTANT OPERATION / MAINTENANCE INSTRUCTIONS - PLEASE READ

TO RAISE LIFT

- ✓ Position vehicle tires at the center of each runway.
- ✓ Set parking brake or use wheel chock to hold vehicle in position.
- ✓ Before raising vehicle, be sure all personnel are clear of lift and surrounding area. Pay careful attention to overhead clearances.
- ✓ Raise lift to desired height by pressing push button on power unit.
- ✓ Maintain visual contact with vehicle and surrounding area at all times while lowering lift.
- ✓ **STOP IMMEDIATELY** if load shifts or becomes unlevel.
- ✓ After vehicle is raised to desired height, lower lift onto the nearest safety lock. Do not allow cables to become excessively slack.
- ✓ **ALWAYS INSURE ALL PRIMARY SAFETY LOCKS ARE ENGAGED** before entering work area.

TO LOWER LIFT

- ✓ Before lowering vehicle, be sure all personnel, tools and equipment are clear of lift and surrounding area.
- ✓ Raise lift by pressing RAISE BUTTON on power unit. Elevate lift at least two inches to allow adequate clearance for locks to clear.
- ✓ Press push button AIR SAFETY VALVE and HOLD.
- ✓ Lower vehicle by pressing power unit lowering handle until lift has descended completely.
- ✓ When lowering lift **PAY CAREFUL ATTENTION** that all personnel and objects are kept clear.
- ✓ **ALWAYS** keep a visual line of site on lift **AT ALL TIMES**.
- ✓ **ALWAYS** make sure that **ALL LOCKS** are disengaged. If one of the locks inadvertently engages on descent, lift and/or vehicle may disrupt causing personal injury or death.

REQUIRED MONTHLY MAINTENANCE

- ✓ **ALWAYS** consult operation manual for factory recommended maintenance.
- ✓ Adjust lift cables to ensure lift raises level and safety locks engage simultaneously.
- ✓ Check all chain/cable connections, bolts and pins to insure proper mounting.
- ✓ Visually inspect safety locks for proper operation.
- ✓ Visually inspect concrete floor. **DO NOT USE LIFT** if concrete foundation shows signs of deterioration.
- ✓ Inspect all anchor bolts and retighten if necessary.
- ✓ Check columns for squareness and plumb.
- ✓ Inspect all bolts and/or fasteners making sure they are properly secured.
- ✓ Make a visual inspection of **ALL MOVING PARTS** and check for excessive signs of wear.
- ✓ Replace **ALL FAULTY PARTS** before lift is put back into operation.

! WARNING

1. **WARNING:** If cement anchor bolts are loose, or any component of the lift is found to be defective, **DO NOT USE LIFT!**
2. Never operate the lift with any person or equipment below.
3. Never exceed rated capacity.
4. Always insure safety locks are engaged before any attempt is made to work on or near vehicle.
5. Never leave lift in an elevated position unless the safety locks are engaged.
6. Do not permit electric motor to get wet! Motor damage caused by dampness is not covered under warranty.

PART SPECIFICATION FORM

BENDPAK Number:	5905557
MRP Description:	MAX CAP DANGER 14K
Date:	05/06/2013
ECO :	00593

1. Engineering Specification

Application:

LIFT CAPACITY STICKER

Detailed Description:

SIZE: 5" L x 4" W (127mm x 100mm)



2. Vendor Information

Approved Vendor	Vendor Part #	Contact #	Preferred Vendor
1)			

DANGER

THE MAXIMUM LIFTING CAPACITY FOR THIS LIFT IS DESCRIBED BELOW

Maximum Lifting Capacity

14,000 lbs. / 6350 kg

Max. Lifting Cap. / Front of Lift Center

7000 lbs. / 3175 kg

Max. Lifting Cap. / Rear of Lift Center

7000 lbs. / 3175 kg

Exceeding the weight capacity of this lift can damage lift and/or property and may cause personal harm, injury or death to operators and/or bystanders. All vehicles MUST be positioned on lift with CENTER OF GRAVITY midway between adapters and/or centered on runways. Damage to lift due to overloading or misuse IS NOT covered under warranty.

PART SPECIFICATION FORM

BENDPAK Number:	5905940
MRP Description:	PRODUCT DATA LABEL
Date:	05/06/2013
ECO :	00593

1. Engineering Specification

Application:

PRODUCT DATA LABEL

Detailed Description:

	SANTA PAULA, CA USA WWW.BENDPAK.COM
LIFT TYPE: SURFACE MOUNT CAP: MED/HVY DTY MFG. BPK SEE DATA PLATE FOR PRODUCT DETAILS POWER: ELECTRIC/HYDRAULIC INSTALLATION - SEE OWNERS GUIDE OR CONTACT FACTORY	
SAFETY INSTRUCTIONS: IF ATTACHMENTS, ACCESSORIES OR CONFIGURATION MODIFYING COMPONENTS THAT ARE LOCATED IN THE LOAD PATH, AFFECT OPERATION OF THE LIFT, AFFECT THE LIFT ELECTRICAL LISTING OR AFFECT INTENDED VEHICLE ACCOMMODATION ARE USED ON THIS LIFT AND, IF THEY ARE NOT CERTIFIED FOR USE ON THIS LIFT, THEN THE CERTIFICATION OF THIS LIFT SHALL BECOME NULL AND VOID. CONTACT THE PARTICIPANT FOR INFORMATION PERTAINING TO CERTIFIED ATTACHMENTS, ACCESSORIES OR CONFIGURATION MODIFYING COMPONENTS.	
BENDPAK LIFTS ARE SUPPLIED WITH CONCRETE FASTENERS MEETING THE CRITERIA AS PRESCRIBED BY ASTM E488 - 96(2003). LIFT BUYERS ARE RESPONSIBLE FOR ANY SPECIAL REGIONAL STRUCTURAL AND/OR SEISMIC ANCHORING REQUIREMENTS SPECIFIED BY ANY OTHER AGENCIES AND/OR CODES SUCH AS THE UNIFORM BUILDING CODE (UBC) AND/OR INTERNATIONAL BUILDING CODE (IBC).	
THE MANUFACTURE, USE, SALE OR IMPORT OF THIS PRODUCT MAY BE SUBJECT TO ONE OR MORE UNITED STATES PATENTS, OR PENDING APPLICATIONS, OWNED BY BENDPAK, INC. DO NOT REMOVE ENGINEERED BY BENDPAK INC. USA MADE IN CHINA	

SIZE: 2.3" L x 4.5" W (58mm x 114mm)

2. Vendor Information

Approved Vendor	Vendor Part #	Contact #	Preferred Vendor
1)			

PART SPECIFICATION FORM

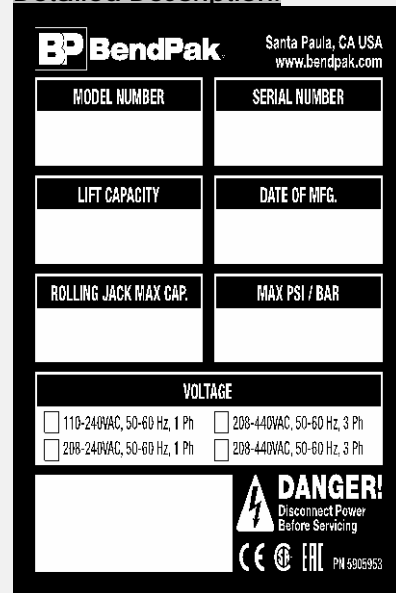
BENDPAK Number:	5905953
MRP Description:	LABEL D (4-POST LIFTS CE)
Date:	12/04/2015
ECO :	00724

1. Engineering Specification

Application:

DATA SERIAL TAG, 4-POST LIFTS, CE

Detailed Description:



BP BendPak Santa Paula, CA USA
www.bendpak.com

MODEL NUMBER	SERIAL NUMBER
LIFT CAPACITY	DATE OF MFG.
ROLLING JACK MAX CAP.	MAX PSI / BAR

VOLTAGE

110-240VAC, 50-60 Hz, 1 Ph
 208-440VAC, 50-60 Hz, 3 Ph
 208-240VAC, 50-60 Hz, 1 Ph
 208-440VAC, 50-60 Hz, 3 Ph

DANGER!
Disconnect Power Before Servicing

CE ENEC ERE PN 5905953

SIZE: 3.38" L x 3.38" W
(85.7mm x 85.7mm)

2. Vendor Information (Or for Reference)

Approved Vendor	Vendor Part #	Contact #	Preferred Vendor
1)			
2)			

OR BENDPAK ENGINEERING APPROVED EQUIVALENT



Santa Paula, CA USA
www.bendpak.com

MODEL NUMBER

SERIAL NUMBER

LIFT CAPACITY

DESCRIPTION

ROLLING JACK MAX CAP.

MAX PSI / BAR

VOLTAGE

110-240VAC, 50-60 Hz, 1 Ph

380-415VAC, 50-60 Hz, 3 Ph

208-240VAC, 50-60 Hz, 1 Ph

208-440VAC, 50-60 Hz, 3 Ph

DATE OF MFG.

WARRANTY VOID IF DATA PLATE IS REMOVED



DANGER!

Disconnect Power
Before Servicing



PN 5905953



BendPak®
PROVIDING AUTOMOTIVE SERVICE SOLUTIONS

QCR: 344

HDS-14 Packaging

This report is intended to show how to package an HDS-14

Report taken by: Adam Roberts
Date: 10/9/15

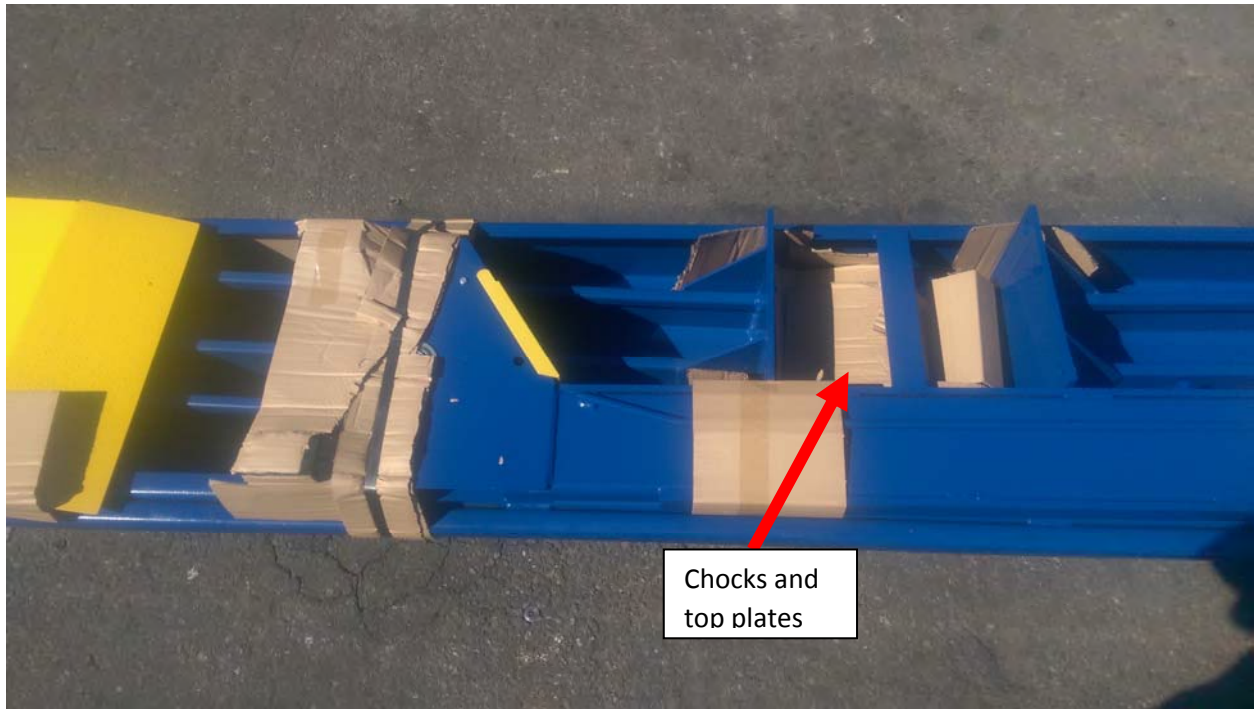


Power side ramp will have: 1 crosstube, 1 parts box, cylinder installed and safety ladders.

Offside ramp will have: 1 crosstube 2 approach ramps, 4 posts, 4 top plates, 2 tire stops and 2 tire chocks.



2 posts will be positioned opposite of each other with 2 approach ramps on top. Note that there is cardboard in-between each spot where the parts contact each other. They are then secured with a steel strap.



The cross-tube will be positioned as shown with the tire stops, top plates and tire chocks packaged in the middle.



Power side ramp will have 4 safety ladders fully wrapped in plastic with cardboard where it contacts to ramp.



The parts box will be placed in the center in front of the cylinder. Then the crosstube is placed on top and secured with a steel strap



Once all items are secure, each section is wrapped with cardboard.



Thicker cardboard is then added to the bottom and both sides and secured with plastic straps. We are using a one piece cardboard that has folds for the sides.



Shown is all the thicker cardboard pieces added.



Finally fully wrap in plastic.



Here is the lift complete and stacked.



2016
CE-Approved
4 Post Lifts
Colors & Graphics

12/31/15

CONFIDENTIAL INFORMATION.

You may not disclose, print, copy or disseminate this information.
Unauthorized use is a violation of federal criminal law.

4 Post Lifts Product Decal Positioning



Total of 4

PN 5905311

BPK Post Branding Decal-Large_5905311.pdf:

Material: Clear Adhesive PET

Size: 4.25"W x 38"H

Thickness: 4 Mil

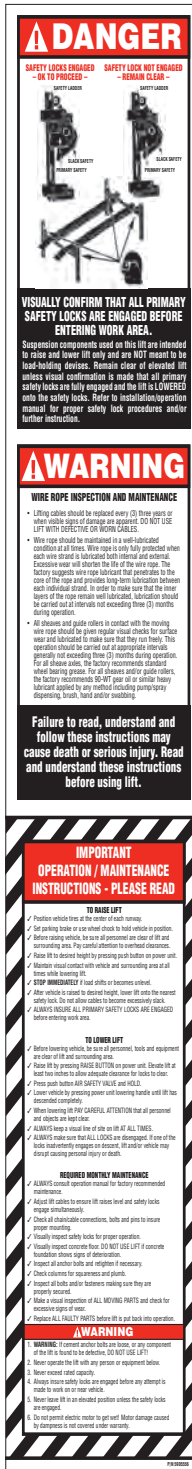
Finish: Polished

Ink: U.V. protected, Opaque White

Print Process: Silk Screen, 85 line-screen (Yellow color in file represents what should be clear PET material and SHOULD NOT print as Yellow ink. White area in file represents Opaque White ink.)

Lamination: Clear-gloss over-laminate for abrasion, chemical, and ultra violet protection

B



PN 5905556

4_Post_Safety_Decal.pdf:

Size: 4"W x 23"H

Material: White Vinyl Pressure Sensitive Adhesive

Thickness: 4 Mil

Ink: U.V. protected CMYK 2/C Process

Finish: Polished

Print Process: Offset Lithography - 200 line-screen or 300 p.p.i. for digital

Lamination: Clear-gloss over-laminate for abrasion, chemical, and ultra violet protection

C

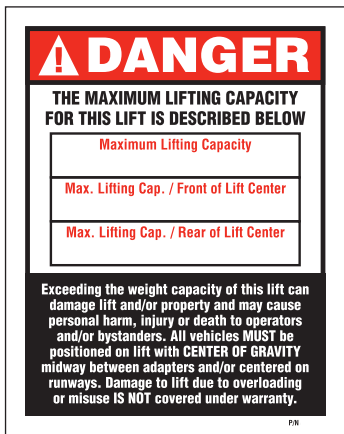


Ali_4_Post_labels.pdf:

(Order Labels from ALI)

4 Post Lifts Product Decal Positioning

***D**



***Max. Cap. Danger.pdf:**

Size: 4"W x 5"H
 Material: White Vinyl Pressure Sensitive Adhesive
 Thickness: 4 Mil
 Ink: U.V. protected CMYK 2/C Process
 Finish: Polished
 Print Process: Offset Lithography - 200 line-screen or 300 p.p.i. for digital
 Lamination: Clear-gloss over-laminate for abrasion, chemical, and ultra violet protection

- P/N 5905401 - Max Cap. Danger 7k
- P/N 5905695 - Max. Cap. Danger 7500
- P/N 5905402 - Max Cap. Danger 9k
- P/N 5905557 - Max. Cap. Danger 14K
- P/N 5905406 - Max Cap. Danger 18k
- P/N 5905407 - Max. Cap. Danger 27K
- P/N 5905408 - Max. Cap. Danger 35K
- P/N 5905409 - Max. Cap. Danger 40K

***E**



***NRTL Lifting Cap Label .pdf:**

Size: 4.5"W x 3.25"H
 Material: White Vinyl Pressure Sensitive Adhesive
 Thickness: 4 Mil
 Ink: U.V. protected CMYK 2/C Process
 Finish: Polished
 Print Process: Offset Lithography - 200 line-screen or 300 p.p.i. for digital
 Lamination: Clear-gloss over-laminate for abrasion, chemical, and ultra violet protection

- P/N 5905645 - NRTL Lifting Cap Label 7K
- P/N 5905700 - NRTL Lifting Cap Label 7500
- P/N 5905650 - NRTL Lifting Cap Label 9k
- P/N 5905665 - NRTL Lifting Cap Label 14k
- P/N 5905675 - NRTL Lifting Cap Label 18k
- P/N 5905680 - NRTL Lifting Cap Label 27k
- P/N 5905685 - NRTL Lifting Cap Label 35K
- P/N 5905690 - NRTL Lifting Cap Label 40K

***DEPENDS ON LIFT MODEL AND CAPACITY**

F



PN 5905940

Product Data Label 5905940-New.pdf:

Size: 4.5"W x 2.3"H
 Material: White Vinyl Pressure Sensitive Adhesive
 Thickness: 4 Mil
 Ink: U.V. protected CMYK 2/C Process
 Finish: Polished
 Print Process: Offset Lithography - 200 line-screen or 300 p.p.i. for digital
 Lamination: Clear-gloss over-laminate for abrasion, chemical, and ultra violet protection

G



PN 5905953

2015_Serial_Tag-D-5905953.jpg:

Size: 3"W x 3"H
 Material: Material: 2 Mil. Matte Silver Polyester (Flex-PSE)
 Print using thermal transfer printer with resin ribbon
 Ink: 1 Color-Black

H



PN 5905326

ALI-Gold-Label-5905326.jpg

****FOR ALL APPROVED LIFTS ONLY**

4 Post Lifts Product Decal Positioning

****FOR ALL APPROVED
LIFTS ONLY**

D, H, G, F

**Front of Post
(Top to Bottom)**

E, C

**Back of Post
(Top to Bottom)**

B

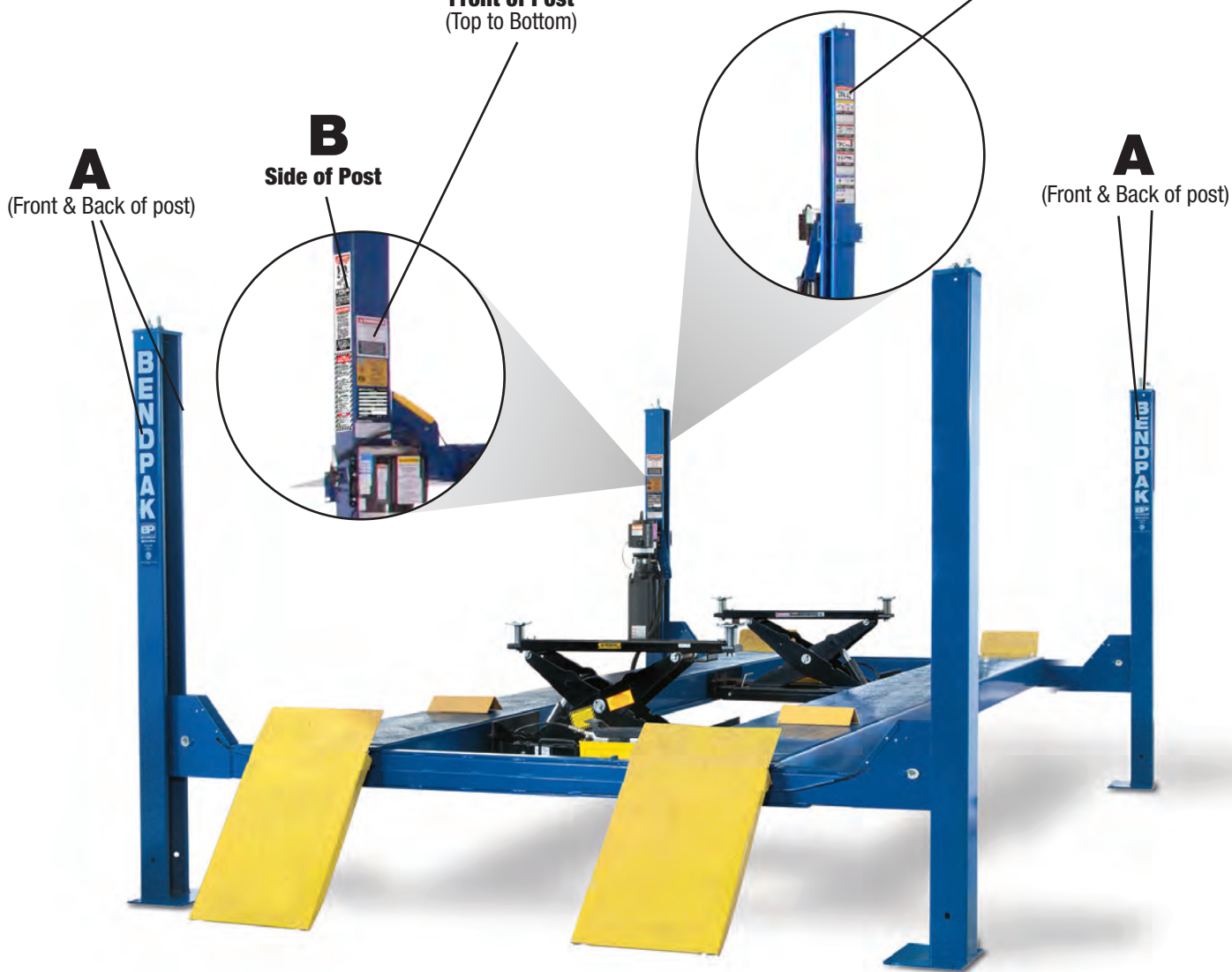
Side of Post

A

(Front & Back of post)

A

(Front & Back of post)



4 Post Lifts Packaging

BP BendPak. Santa Paula, CA USA www.bendpak.com	
MODEL NUMBER	SERIAL NUMBER
PN 5905285	

Serial_Tag_New-2015_Peel_Off-5905285.jpg:
Size: 3"W x 3"H
Material:Material: 2 Mil. Matte Silver Polyester (Flex-PSE)
Print using thermal transfer printer with resin ribbon
Ink: 1 Color-Black

PEEL OFF INVENTORY LABEL	
MODEL NUMBER	SERIAL NUMBER
PN 5905285	
Do not remove back sheet of this portion to prevent from sticking completely as shown in image.	





2016
NON-CE 4 Post Lifts
Colors & Graphics

MODELS:

HD-9SW HDS-40
HD-9SWX HDS-40X
HD-14T HD-9AE

12/31/15

CONFIDENTIAL INFORMATION.

You may not disclose, print, copy or disseminate this information.
Unauthorized use is a violation of federal criminal law.

4 Post Lifts Product Decal Positioning



Total of 4

PN 5905311

BPK Post Branding Decal-Large_5905311.pdf:

Material: Clear Adhesive PET

Size: 4.25"W x 38"H

Thickness: 4 Mil

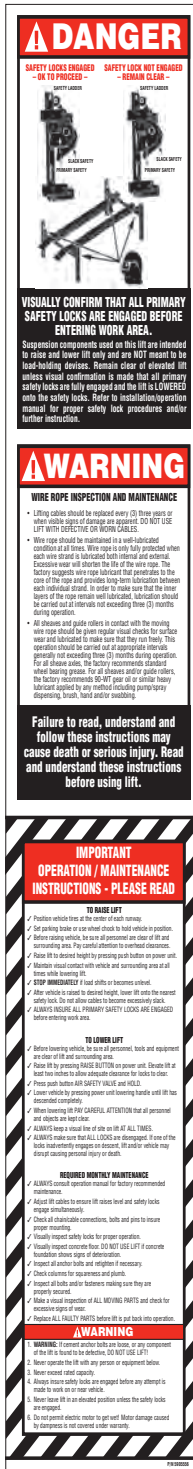
Finish: Polished

Ink: U.V. protected, Opaque White

Print Process: Silk Screen, 85 line-screen (Yellow color in file represents what should be clear PET material and SHOULD NOT print as Yellow ink. White area in file represents Opaque White ink.)

Lamination: Clear-gloss over-laminate for abrasion, chemical, and ultra violet protection

B



PN 5905556

4 Post Safety Decal.pdf:

Size: 4"W x 23"H

Material: White Vinyl Pressure Sensitive Adhesive

Thickness: 4 Mil

Ink: U.V. protected CMYK 2/C Process

Finish: Polished

Print Process: Offset Lithography - 200 line-screen or 300 p.p.i. for digital

Lamination: Clear-gloss over-laminate for abrasion, chemical, and ultra violet protection

C

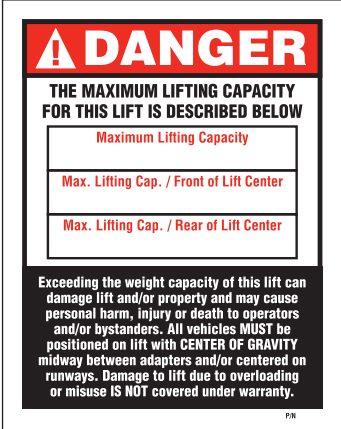


Ali_4_Post_labels.pdf:

(Order Labels from ALI)

4 Post Lifts Product Decal Positioning

***D**



- P/N 5905401 - Max Cap. Danger 7k
- P/N 5905695 - Max. Cap. Danger 7500
- P/N 5905402 - Max Cap. Danger 9k
- P/N 5905557 - Max. Cap. Danger 14K
- P/N 5905406 - Max Cap. Danger 18k
- P/N 5905407 - Max. Cap. Danger 27K
- P/N 5905408 - Max. Cap. Danger 35K
- P/N 5905409 - Max. Cap. Danger 40K

***Max. Cap. Danger.pdf:**

Size: 4"W x 5"H
 Material: White Vinyl Pressure Sensitive Adhesive
 Thickness: 4 Mil
 Ink: U.V. protected CMYK 2/C Process
 Finish: Polished
 Print Process: Offset Lithography - 200 line-screen or 300 p.p.i. for digital
 Lamination: Clear-gloss over-laminate for abrasion, chemical, and ultra violet protection

***E**



- P/N 5905645 - NRTL Lifting Cap Label 7K
- P/N 5905700 - NRTL Lifting Cap Label 7500
- P/N 5905650 - NRTL Lifting Cap Label 9k
- P/N 5905665 - NRTL Lifting Cap Label 14k
- P/N 5905675 - NRTL Lifting Cap Label 18k
- P/N 5905680 - NRTL Lifting Cap Label 27k
- P/N 5905685 - NRTL Lifting Cap Label 35K
- P/N 5905690 - NRTL Lifting Cap Label 40K

***NRTL Lifting Cap Label .pdf:**

Size: 4.5"W x 3.25"H
 Material: White Vinyl Pressure Sensitive Adhesive
 Thickness: 4 Mil
 Ink: U.V. protected CMYK 2/C Process
 Finish: Polished
 Print Process: Offset Lithography - 200 line-screen or 300 p.p.i. for digital
 Lamination: Clear-gloss over-laminate for abrasion, chemical, and ultra violet protection

***DEPENDS ON LIFT MODEL AND CAPACITY**

F



PN 5905940

Product Data Label 5905940-New.pdf:

Size: 4.5"W x 2.3"H
 Material: White Vinyl Pressure Sensitive Adhesive
 Thickness: 4 Mil
 Ink: U.V. protected CMYK 2/C Process
 Finish: Polished
 Print Process: Offset Lithography - 200 line-screen or 300 p.p.i. for digital
 Lamination: Clear-gloss over-laminate for abrasion, chemical, and ultra violet protection

G



PN 5905952

2015_Serial_Tag-C-5905952.jpg:

Size: 3"W x 3"H
 Material: Material: 2 Mil. Matte Silver Polyester (Flex-PSE)
 Print using thermal transfer printer with resin ribbon
 Ink: 1 Color-Black

H



PN 5905326

ALI-Gold-Label-5905326.jpg

****FOR ALI APPROVED LIFTS ONLY**

4 Post Lifts Packaging

BP BendPak Santa Paula, CA USA www.bendpak.com	
MODEL NUMBER	SERIAL NUMBER
PN 5905285	

Serial_Tag_New-2015_Peel_Off-5905285.jpg:
Size: 3"W x 3"H
Material:Material: 2 Mil. Matte Silver Polyester (Flex-PSE)
Print using thermal transfer printer with resin ribbon
Ink: 1 Color-Black

PEEL OFF INVENTORY LABEL	
MODEL NUMBER	SERIAL NUMBER
PN 5905285	

Do not remove back sheet of this portion to prevent from sticking completely as shown in image.

