

SERVICE MANUAL

SERVICE MANUAL SECTION

**4200, 4300, 4400 SERIES Built October 16, 2000 to December 31, 2001 —
ELECTRICAL CIRCUIT DIAGRAMS**

Truck Model: 4200

Start Date: 10/16/2000 End Date: 12/31/2001

Truck Model: 4300

Start Date: 10/16/2000 End Date: 12/31/2001

Truck Model: 4400

Start Date: 10/16/2000 End Date: 12/31/2001

s08285

01/01/2001

Table of Contents

1. INSTRUCTIONS AND CHARTS (CHAPTER 1)	1
1.1. CIRCUIT NUMBER IDENTIFICATION AND LOCATION CHART, P. 1.....	1
1.2. CIRCUIT NUMBER IDENTIFICATION AND LOCATION CHART, P. 2.....	2
1.3. CIRCUIT NUMBER IDENTIFICATION AND LOCATION CHART, P. 3.....	3
1.4. CIRCUIT NUMBER IDENTIFICATION AND LOCATION CHART, P. 4.....	4
1.5. CIRCUIT NUMBER IDENTIFICATION AND LOCATION CHART, P. 5.....	5
1.6. NAVPAK/ECM I6 ENGINE CONTROLLER CONNECTOR PIN NUMBER IDENTIFICATION, P. 6.....	6
1.7. CIRCUIT DIAGRAM INSTRUCTIONS, P. 7.....	7
1.8. CIRCUIT DIAGRAM INSTRUCTIONS, P. 8.....	8
1.9. SCHEMATIC SYMBOL CHART, P. 9.....	9
1.10. RELAY FUNCTIONS, P. 10.....	10
1.11. LAMP BULB CHART, P. 11.....	11
1.12. NAVPAK/ECM V8-AVNT CONTROLLER CONNECTORS X3 AND X4 PIN NUMBER IDENTIFICATION, P.12.....	12
2. 12 VOLT POWER DISTRIBUTION CIRCUIT DIAGRAMS (CHAPTER 2)	13
2.1. ACCESSORY, P. 1.....	13
2.2. BATTERY FEEDS, CAB, P. 2.....	14
2.3. BATTERY, P. 3.....	15
2.4. 1708 DATA LINK, P. 4.....	16
2.5. SWITCH DATA LINK, P. 5.....	17
2.6. DRIVETRAIN 1939 DATA LINK (CAB), P. 6.....	18
2.7. DRIVETRAIN 1939 DATA LINK (CHASSIS), P. 7.....	19
2.8. GROUNDS CHASSIS, P. 8.....	20
2.9. GROUNDS CHASSIS, P. 9.....	21
2.10. GROUNDS IP, P. 10.....	22
2.11. GROUNDS IP, P. 11.....	23
2.12. IGNITION CAB, P. 12.....	24
2.13. IGNITION CAB, P. 13.....	25
2.14. IGNITION FEEDS, CHASSIS, P. 14.....	26
2.15. START, P. 15.....	27
3. CAB ACCESSORIES (CHAPTER 3)	28
3.1. CIGAR LIGHTER AND POWER FEEDS, P. 1.....	28
3.2. CB POWER, P. 2.....	29
3.3. COMPASS AND TEMPERATURE DISPLAY, P. 3.....	30
3.4. FRONT DOORS WINDOWS AND LOCKS (POWER), P. 4.....	31
3.5. CREW DOORS WINDOWS AND LOCKS (POWER), P. 5.....	32
3.6. HORN, DUAL ELECTRIC, P. 6.....	33
3.7. MIRRORS (HEATED, LIGHTED AND POWER), P. 7.....	34
3.8. RADIO (ENTERTAINMENT), SPEAKERS, P. 8.....	35
3.9. WINDSHIELD WIPER AND WASHER PUMP, P. 9.....	36
3.10. 2-WAY RADIO, P. 10.....	37
3.11. SWITCH PACK, OPTIONAL GAUGE PACK, P. 11.....	38
3.12. LIGHTED AIR SHIELD, P. 12.....	39
3.13. ROOF AUX. LOAD, P. 13.....	40

3.14. SATELLITE COMMUNICATION QUALCOMM-MCT AND IMCT SYSTEMS, P. 14.....	41
4. 12V CHARGING + CRANKING SYSTEM (CHAPTER 4).....	42
4.1. I6 HEUI ENGINES, P. 1.....	42
4.2. V8 AVNT ENGINES, P. 2.....	43
5. FANS AND ENGINE ACCESSORIES (CHAPTER 5).....	44
5.1. FAN WIRING, P. 1.....	44
5.2. ETHER START, P. 2.....	45
5.3. SNOW VALVE, P. 3.....	46
6. ELECTRONIC ENGINES (CHAPTER 6).....	47
6.1. ELECTRONIC ENGINE CONTROLS, I6-HEUI ENGINES, P. 1.....	47
6.2. ELECTRONIC ENGINE CONTROLS, I6-HEUI ENGINE CRUISE CONTROL AND BODY BUILDER CONNECTIONS, P. 2.....	48
6.3. ELECTRONIC ENGINE CONTROLS, (V8-AVNT) ENGINES, P. 3.....	49
6.4. ELECTRONIC ENGINE CONTROLS, V8-AVNT ENGINE CRUISE CONTROL AND BODY BUILDER CONNECTIONS, P. 4.....	50
7. GAUGES WITH AND WITHOUT INTEGRAL WARNING LIGHT (CHAPTER 7).....	51
7.1. IP/GAUGE LIST, P. 1.....	51
7.2. WARNING LIGHT LIST, P. 2.....	52
7.3. WARNING LIGHTS CONTROLLED BY ENGINE, TRANSMISSION, ABS CONTROLLER, P. 3.....	53
7.4. ENGINE OIL PRESSURE AND TEMP, SPEEDOMETER, TACH, VOLTMETER AND WATER TEMP GAUGE CIRCUITS, P. 4.....	54
7.5. IP/GAUGES AND WARNING LIGHTS — GAUGE CLUSTER, P. 5.....	55
7.6. AIR PRESSURE INPUT CIRCUIT, P. 6.....	56
7.7. AXLE TEMPERATURE, FWD REAR AND REAR AXLES, GAUGE INPUT CIRCUIT, P. 7.....	57
7.8. FUEL GAUGE INPUT CIRCUIT (SINGLE TANK) DIFFERENTIAL LOCK WARNING LAMPS, P. 8.....	58
7.9. GAUGES AND WARNING LIGHTS — FUEL FILTER RESTRICTION AND WATER IN FUEL LIGHTS, P. 9.....	59
7.10. GAUGES AND WARNING LIGHTS — PARK BRAKE LIGHT AND TRANSMISSION OIL TEMP. GAUGE, P. 10.....	60
7.11. GAUGES AND WARNING LIGHTS — AMMETER, P. 11.....	61
8. LIGHTS (CHAPTER 8).....	62
8.1. BACK UP LIGHTS, P. 1.....	62
8.2. LIGHT SYSTEMS — CLEARANCE, MARKER, PARK, TAIL, TURN AND STOP LAMPS, P. 2.....	63
8.3. LIGHT SYSTEMS — CLEARANCE, MARKER, PARK, TAIL, TURN AND STOP LAMPS (CONT.), P. 3.....	64
8.4. LIGHT SYSTEMS — TURN SIGNAL AND STOP SWITCHES, P. 4.....	65
8.5. DOME LIGHT, MAP LIGHT, P. 5.....	66
8.6. DOME LIGHT, MAP LIGHT (CONT.), P. 6.....	67
8.7. FOG LIGHT AND WORK LIGHT, P. 7.....	68
8.8. HEADLIGHTS, P. 8.....	69
8.9. AUX. HEADLIGHTS, AUX. PARK, AUX TURN, P. 9.....	70
8.10. PANEL LIGHTS, P. 10.....	71
9. CHASSIS ACCESSORIES (CHAPTER 9).....	72
9.1. AIR DRYER AND HEATED DRAIN VALVE, P. 1.....	72

9.2. ANTILOCK BRAKE SYSTEM (ABS), AIR, P. 2.....	73
9.3. ANTILOCK BRAKE SYSTEM (ABS), AIR, TRACTION CONTROL, P. 3.....	74
9.4. ANTILOCK BRAKE SYSTEM (ABS), HYDRAULIC, P. 4.....	75
9.5. ANTILOCK BRAKE SYSTEM (ABS), HYDRAULIC (CONT.), P. 5.....	76
9.6. ANTILOCK BRAKE SYSTEM (ABS), HYDRAULIC (CONT.), P. 6.....	77
9.7. TWO SPEED AXLE SWITCH W/MANUAL TRANSMISSION FUEL HEATER N/WARN LIGHTS, P. 7.....	78
9.8. BRAKE SYSTEM, HYDRAULIC, P. 8.....	79
9.9. FUEL TRANSFER PUMP, P. 9.....	80
9.10. BACK OF CAB BODY BUILDER AND TRAILER STOP, TAIL, MARKER, P. 10.....	81
9.11. BODY BUILDER AND TRAILER TURNS, CENTER PIN ABS, CENTER PIN AUX, P. 11.....	82
9.12. BODY BUILDER AND TRAILER SOCKET BACK OF CAB SOCKETS, P. 12.....	83
9.13. BODY BUILDER AND TRAILER SOCKET END OF FRAME (EOF) SOCKET AND BODY BUILDER, P. 13.....	84
9.14. AIR SOLENOID 4-WAY PACK, P. 14.....	85
9.15. REMOTE POWER UNITS, SOLENOID PACKS, REMOTE ENGINE SPEED CONTROLLER, P. 15.....	86
9.16. HYD POWER PARK, P. 16.....	87
9.17. AIR SUSPENSION, P. 17.....	88
9.18. AUX. TRAILER, ACC CONTROLLED, P. 18.....	89
9.19. AUX. TRAILER, BTRY CONTROLLED, P. 19.....	90
10. TRANSMISSIONS (CHAPTER 10).....	91
10.1. ALLISON LCT TRANSMISSION, P. 1.....	91
10.2. ALLISON MD TRANSMISSION, P. 2.....	92
10.3. ALLISON MD TRANSMISSION (CONT.), P. 3.....	93
10.4. ALLISON MD TRANSMISSION (CONT.), P. 4.....	94
10.5. TRANSMISSION, WTEC MD W/AUTO NEUTRAL, P. 5.....	95
10.6. EATON AUTOSHIFT TRANSMISSION, P. 6.....	96
10.7. EATON AUTOSHIFT TRANSMISSION (CONT.), P. 7.....	97
11. AIR CONDITIONING (CHAPTER 11).....	98
11.1. HVAC SYSTEMS, P. 1.....	98
11.2. AIR CONDITIONING (ONLY), P. 2.....	99
12. CONNECTOR COMPOSITES (CHAPTER 12).....	100
12.1. CONNECTOR COMPOSITES (10), (71), (72), (345), P. 1.....	100
12.2. CONNECTOR COMPOSITES (420A), (420B), (520), (521), (522), (523), (524), P. 2.....	101
12.3. CONNECTOR COMPOSITES (1002), (1003), (1010), P. 3.....	102
12.4. CONNECTOR COMPOSITE (1011), P. 4.....	103
12.5. CONNECTOR COMPOSITE (1012), P. 5.....	104
12.6. CONNECTOR COMPOSITE (1013), P. 6.....	105
12.7. CONNECTOR COMPOSITE (1014), P. 7.....	106
12.8. CONNECTOR COMPOSITES (1018), (1100), (1101A), (1101), (1102), P. 8.....	107
12.9. CONNECTOR COMPOSITES (1104), (1200), (1210), P. 9.....	108
12.10. CONNECTOR COMPOSITES (1300), (1301), P. 10.....	109
12.11. CONNECTOR COMPOSITES (1350), (1400), (1402), (1500), (1510), (1553), P. 11.....	110
12.12. CONNECTOR COMPOSITES (1554F), (1555), (1600), (1601), (1650), (1652), P. 12.....	111
12.13. CONNECTOR COMPOSITES (1657M), (1658), (1659), (1800), (1804), P. 13.....	112
12.14. CONNECTOR COMPOSITES (1807), (1808), (1809), (1810), (1811), (1812), (1813), (1814), (1815), (1820), (1822), (1823), (1824), (1860), (1861), (1901M), P. 14.....	113
12.15. CONNECTOR COMPOSITES (2000), (2002M), (2003M), (2004M), (2005M), (2006M), (2007F), (2111M), (2112M), (2113M), (2114M), (2115M), (2116M), (2117M), (2301M), P. 15....	114

12.16. CONNECTOR COMPOSITES (2302M), (2303M), (2304M), (2305M), (2306M), (2307F), (2308F), (2502F, M) (2503F, M), (2600F, M), (2601M, F), (2602M, F), P. 16.....	115
12.17. CONNECTOR COMPOSITES (3000M), (3000F), (3002M), (3003), (3100M), (3200F, M), (3201M), (3202), (3203M), (3204M, F), P. 17.....	116
12.18. CONNECTOR COMPOSITES (3209), (3210M), (3211M), (4000), (4001), P. 18.....	117
12.19. CONNECTOR COMPOSITES (4001), (4002), P. 19.....	118
12.20. CONNECTOR COMPOSITES (4003), (4004), P. 20.....	119
12.21. CONNECTOR COMPOSITES (4007), (4008), (4009), (4010), P. 21.....	120
12.22. CONNECTOR COMPOSITE (4014), P. 22.....	121
12.23. CONNECTOR COMPOSITES (4015), (4017), (4018), (4019), (4020), (4021), (4022), (4023), P. 23.....	122
12.24. CONNECTOR COMPOSITES (4024), (4030), (4031), (4032), (4033), (4040), (4041), (4050), (4051), (4052), P. 24.....	123
12.25. CONNECTOR COMPOSITES (4054), (4056), (4058), (4060), (4061), (4062), (4087), (4098), (4103), P. 25.....	124
12.26. CONNECTOR COMPOSITES (4103 CONT.), (4105), (4111), (4120), (4301), P. 26.....	125
12.27. CONNECTOR COMPOSITES (4301 CONT.), (4305), (4410), (4410B), (4410C), P. 27.....	126
12.28. CONNECTOR COMPOSITES (4410D), (4410E), (4410H), (4410M), (4411), (4411A), (4411B), (4412), P. 28.....	127
12.29. CONNECTOR COMPOSITES (4415), (4450), P. 29.....	128
12.30. CONNECTOR COMPOSITES (4450A), (4460A), (4460), (4705), P. 30.....	129
12.31. CONNECTOR COMPOSITES (4705), (4810), (4820), (4830), (4840), P. 31.....	130
12.32. CONNECTOR COMPOSITES (4850), (4910), (4950), (6001), (6002), P. 32.....	131
12.33. CONNECTOR COMPOSITES (6007), (6008), (6009), (6011), (6012), P. 33.....	132
12.34. CONNECTOR COMPOSITES (6200), (6316), (6323), (6332), (6333), (6334), (6400), (6401), (6406), (6500), (6550), (6703), (6704), P. 34.....	133
12.35. CONNECTOR COMPOSITES (7103), (7104), (7104A), (7200), P. 35.....	134
12.36. CONNECTOR COMPOSITES (7202), (7203), P. 36.....	135
12.37. CONNECTOR COMPOSITES (7204), (7205), (7206), P. 37.....	136
12.38. CONNECTOR COMPOSITES (7207), (7208), (7211), (7212), (7213), (7300), (7301), P. 38.....	137
12.39. CONNECTOR COMPOSITES (7302), (7304), (7305), (7306), P. 39.....	138
12.40. CONNECTOR COMPOSITES (7307), (7309), (7500), (7502), (7600), (7601), (7603), (7604), (7605), (7606), P. 40.....	139
12.41. CONNECTOR COMPOSITES (7607), (7608), (7609), (7610), (7611), (7700), P. 41.....	140
12.42. CONNECTOR COMPOSITES (7800), (7801), (7803), P. 42.....	141
12.43. CONNECTOR COMPOSITES (7900), (7901), (7905), (7906), P. 43.....	142
12.44. CONNECTOR COMPOSITES (8000), (8001), (8102), (8150), (8151), (8200), P. 44.....	143
12.45. CONNECTOR COMPOSITES (8201), (8301), (8310), (8311), (8312), (8400), (8500), (8501), P. 45.....	144
12.46. CONNECTOR COMPOSITES (8502), (8502A), (8503), (8503A), (8505), (8600), (8601), (8602), P. 46.....	145
12.47. CONNECTOR COMPOSITES (8700), (8701), (8800), (8801), (8802), (8803), P. 47.....	146
12.48. CONNECTOR COMPOSITES (9001), (9002), (9100), (9101), (9102), (9254), (9255), P. 48.....	147
12.49. CONNECTOR COMPOSITES (9260), (9261), (9262), (9263), (9264), (9265), (9303A), P. 49.....	148
12.50. CONNECTOR COMPOSITES (9404), (9405), (9501), (9502), (9503), (9504), (9505), (9506), P. 50.....	149
12.51. CONNECTOR COMPOSITES (9507), (9508), (9509), (9510), (9511), (9512), P. 51.....	150
12.52. CONNECTOR COMPOSITE (9700), P. 52.....	151
12.53. CONNECTOR COMPOSITES (9715), (9715A), (9715B), P. 53.....	152
12.54. CONNECTOR COMPOSITES (9716), (9716A), (9716B), P. 54.....	153

12.55. CONNECTOR COMPOSITES (9717), (9717A), (9717B), P. 55.....	154
12.56. CONNECTOR COMPOSITES (9718), (9719), (9720), (9733), (9734), (9736), P. 56.....	155
12.57. CONNECTOR COMPOSITES (9800), (9811), (9812), (9814), (9815), (9850), (9900), (9900A), P. 57.....	156

1. INSTRUCTIONS AND CHARTS (CHAPTER 1)

1.1. CIRCUIT NUMBER IDENTIFICATION AND LOCATION CHART, P. 1

INTERNATIONAL TRUCK AND ENGINE CORPORATION THIS PRINT IS PROVIDED ON A RESTRICTED BASIS AND IS NOT TO BE USED IN ANY WAY DETRIMENTAL TO THE INTEREST OF INTERNATIONAL TRUCK AND ENGINE CORPORATION.		ELECTRICAL CIRCUIT DIAGRAM CHAPTER 1 INTERNATIONAL CIRCUIT NUMBER IDENTIFICATION AND LOCATION						
PREFIX DESIGNATIONS								
PREFIX	LOCATION							
A	Cab-Instrument Panel Module							
B	Cab-Driver Control Module							
C	Cab-Header/Clearance Lights							
D	Cab-Roof/Rear Panel							
E	Cab-Left Door/Doors							
F	Cab-Right Door/Doors							
H	Cab-Sleeper							
J	Cab-Dash(outside)							
K	Engine/Radiator							
L	Transmission							
M	Chassis/Front End (Cab Dash Panel Forward)							
N	Chassis/Center Section (Cab Dash Panel to Cab RR Xmbr)							
P	Chassis/Wheel Base Section							
R	Chassis/Suspension/Rear Axle/Axles							
S	Chassis/AF Section/Stop/Tail/Turn Lights							
CIRCUIT NUMBER AND IDENTIFICATIONS								
CIRCUIT NUMBER	COLOR	DESCRIPTION						
1	LTBL	ALTERNATOR - FIELD						
2	RD	ALTERNATOR - CHARGE						
3	DKBL GY	1708 DATA LINK, SWITCH DATA LINK (+) 1708 DATA LINK, SWITCH DATA LINK (-)						
4		SERIAL/DATA COMMUNICATION J1922						
5	YL GN	DRIVE TRAIN J1939 DATA LINK (+) DRIVE TRAIN J1939 DATA LINK (-)						
6	GY	LOW VOLTAGE ELECTRONIC FEED (< 9 VOLTS)						
7	RD	ALTERNATOR - RESISTANCE						
8								
CHK	DATE	CHANGE	REV	REFERENCE	DRAWN	NAME		
PEC	16JAN01	PRODUCTION RELEASE.	A	P54304U	U00DLCK	42/43/44/85/8600 & 73/74/7500 CIRC DIAGRAMS		
					RELEASE NO.	DATE	PART NO.	SHEET
					P52778H	09AUG00	AE08-52365	01

Figure 1 Circuit Number Identification and Location Chart

1.2. CIRCUIT NUMBER IDENTIFICATION AND LOCATION CHART, P. 2

INTERNATIONAL TRUCK AND ENGINE CORPORATION THIS PRINT IS PROVIDED ON A RESTRICTED BASIS AND IS NOT TO BE USED IN ANY WAY DETRIMENTAL TO THE INTEREST OF INTERNATIONAL TRUCK AND ENGINE CORPORATION.				ELECTRICAL CIRCUIT DIAGRAM CHAPTER 1 INTERNATIONAL CIRCUIT NUMBER IDENTIFICATION AND LOCATION (CONT.)			
CIRCUIT NUMBER AND IDENTIFICATIONS (CONT.)							
CIRCUIT NUMBER	COLOR	DESCRIPTION					
9	GY	ZERO VOLT REFERENCE (ZVR)					
10	WH	CHASSIS/ENGINE GROUND					
11	WH	CAB/SLEEPER GROUND					
12	LTBL	ACCESSORY FEED					
13	PK BK	IGNITION FEED IGNITION FEED (BODY BUILDER CONNECTOR)					
14	RD	BATTERY FEED					
15	RD	KEY SWITCH FEED					
16							
17	PK	STARTER CONTROL					
18	PK	GLOW PLUG/PRE-HEATER					
19	GY	ENGINE SHUTDOWN					
20	LTGN	REMOTE POWER MODULE					
21	TN	COLD START CONTROLS (ETHER)					
22							
23	TN	ENGINE FAN/SHUTTERS					
24	GY	ENGINE EXHAUST BRAKE					
25	TN	PYROMETER					
26	TN	AMMETER					
27	TN	VOLTMETER					
28	TN	INSTRUMENTS AND GAUGES					
29	TN	ENGINE WATER TEMPERATURE					
30	TN	ENGINE OIL TEMPERATURE					
31	TN	TRANSMISSION OIL TEMPERATURE					
32	TN	AXLE OIL TEMPERATURE					

CHK	DATE	CHANGE	REV	REFERENCE	DRAWN	NAME		
PEC	16JAN01	PRODUCTION RELEASE.	A	P54304U	U00JXP9	42/43/44/85/8600 & 73/74/7500 CIRC DIAGRAMS		
					RELEASE NO.	DATE	PART NO.	SHEET
					P52778H	09AUG00	AE08-52365	02

Figure 2 Circuit Number Identification and Location Chart (Cont.)

1.3. CIRCUIT NUMBER IDENTIFICATION AND LOCATION CHART, P. 3

INTERNATIONAL TRUCK AND ENGINE CORPORATION THIS PRINT IS PROVIDED ON A RESTRICTED BASIS AND IS NOT TO BE USED IN ANY WAY DETRIMENTAL TO THE INTEREST OF INTERNATIONAL TRUCK AND ENGINE CORPORATION.		ELECTRICAL CIRCUIT DIAGRAM CHAPTER 1 INTERNATIONAL CIRCUIT NUMBER IDENTIFICATION AND LOCATION (CONT.)						
CIRCUIT NUMBER AND IDENTIFICATIONS (CONT.)								
CIRCUIT NUMBER	COLOR	DESCRIPTION						
33	TN	ENGINE OIL LEVEL						
34	TN	COOLANT LEVEL						
35	TN	ENGINE OIL PRESSURE						
36	TN	FUEL LEVEL						
37	TN	FUEL PUMP						
38								
39	GY	AIR DRYER HEATER						
40	GY	LOW AIR PRESSURE WARNING						
41	TN	AIR TEMPERATURE						
42	GY	FRONT AXLE ENGAGED						
43	GY	POWER DIVIDER LOCK (PDL) WARNING						
44	GY	PARK BRAKE WARNING						
45	LTGN	ANTI - THEFT WARNING						
46	GY	POWER TAKE - OFF WARNING						
47	GY	SPEEDOMETER						
48	GY	TACHOMETER						
49	GY	DIFFERENTIAL LOCK WARNING						
50	YL	LIGHT SWITCH FEED						
51	YL	DIMMER SWITCH FEED						
52	YL	HEADLIGHT HI - BEAM						
53	YL	HEADLIGHT LO - BEAM						
54	BN	PARKING/MARKER LIGHTS						
55	OR	TURN SIGNAL - FEED						
56	OR	TURN SIGNAL LIGHTS - LEFT						
	YL	TURN SIGNAL LIGHTS - LEFT (BODY BUILDER CONNECTION)						
57	OR	TURN SIGNAL LIGHTS - RIGHT						
	LT GN	TURN SIGNAL LIGHTS - RIGHT (BODY BUILDER CONNECTION)						
CHK	DATE	CHANGE	REV	REFERENCE	DRAWN	NAME		
PEC	16JAN01	PRODUCTION RELEASE.	A	P54304U	U00DLCK	42/43/44/85/8600 & 73/74/7500 CIRC DIAGRAMS		
					RELEASE NO.	DATE	PART NO.	SHEET
					P52778H	15 MAY 00	AE08-52365	03

Figure 3 Circuit Number Identification and Location Chart (Cont.)

1.4. CIRCUIT NUMBER IDENTIFICATION AND LOCATION CHART, P. 4

INTERNATIONAL TRUCK AND ENGINE CORPORATION THIS PRINT IS PROVIDED ON A RESTRICTED BASIS AND IS NOT TO BE USED IN ANY WAY DETRIMENTAL TO THE INTEREST OF INTERNATIONAL TRUCK AND ENGINE CORPORATION.				ELECTRICAL CIRCUIT DIAGRAM CHAPTER 1 INTERNATIONAL CIRCUIT NUMBER IDENTIFICATION AND LOCATION (CONT.)			
CIRCUIT NUMBER AND IDENTIFICATIONS (CONT.)							
CIRCUIT NUMBER	COLOR	DESCRIPTION					
58	BN	CLEARANCE/IDENTIFICATION LIGHTS					
59	GY	SOLENOID					
60	OR	HAZARD LIGHTS					
61	GY	AIR SUSPENSION					
62	DKBL	PANEL LIGHTS					
63	DKBL	COURTESY/DOME LIGHTS					
64	YL	FOG/DRIVING LIGHTS					
65	OR	CAB REAR FLOOD LIGHT					
66	YL	DAYTIME RUNNING LIGHTS					
67							
68	BN	TAIL LIGHTS					
69	BN	LICENSE PLATE LIGHT					
70	OR RD	STOP LIGHTS STOP LIGHTS (BODY BUILDER CONNECTION)					
71	OR LTBL	BACK - UP LIGHTS BACK - UP LIGHTS (BODY BUILDER CONNECTION)					
72	OR	TRAILER AUXILIARY FEED - BATTERY					
73	LTGN	PWM					
74	LTGN	HEATER RECIRC MOTOR					
75	LTGN	HEATER BLOWER MOTOR					
76	LTGN	AUXILIARY FAN					
77	LTGN	AIR CONDITIONER					
78	LTGN	MIRRORS - HEATED; MOTORIZED					
79	GY	SEAT BELTS					
80	BK	SLEEPER BOX RELAY - FEED					
81	LTGN	POWER DOOR LOCKS					
CHK	DATE	CHANGE	REV	REFERENCE	DRAWN	NAME	
PEC	16JAN01	PRODUCTION RELEASE.	A	P54304U	U00DLCK	42/43/44/85/8600 & 73/74/7500 CIRC DIAGRAMS	
					RELEASE NO.	DATE	PART NO.
					P52778H	15MAY00	AE08-52365
							SHEET 04

Figure 4 Circuit Number Identification and Location Chart (Cont.)

1.5. CIRCUIT NUMBER IDENTIFICATION AND LOCATION CHART, P. 5

INTERNATIONAL TRUCK AND ENGINE CORPORATION THIS PRINT IS PROVIDED ON A RESTRICTED BASIS AND IS NOT TO BE USED IN ANY WAY DETRIMENTAL TO THE INTEREST OF INTERNATIONAL TRUCK AND ENGINE CORPORATION.				ELECTRICAL CIRCUIT DIAGRAM CHAPTER 1 INTERNATIONAL CIRCUIT NUMBER IDENTIFICATION AND LOCATION (CONT.)			
CIRCUIT NUMBER AND IDENTIFICATIONS (CONT.)							
CIRCUIT NUMBER	COLOR	DESCRIPTION					
82	GY	WINDSHIELD WIPER					
83	LTGN	POWER WINDOWS					
84	LTGN	CIGAR LIGHTER					
85	GY	HORN					
86	LTGN	RADIO - ENTERTAINMENT					
87	GY	WINDSHIELD WASHER					
88	LTGN	CLOCK/HOURMETER					
89	VT	AIR BAG					
90	GY	HYDRAULIC BRAKE PUMP					
91	VT	INTERCOMMUNICATIONS					
92	TN	TRANSMISSION CONTROLS - ELECTRONIC					
93	TN	AXLE SHIFT CONTROL					
94	GY	ANTILOCK BRAKE SYSTEM					
95	TN	EXHAUST EMISSION					
96	YL	SNOW PLOW LIGHTS					
97	VT	ENGINE CONTROLS - ELECTRONIC					
98	BK	DATALINK AND DIAGNOSTICS					
99	VT	ACCELERATOR POSITION SENSOR (APS)					
100		AIR HORN (ELECTRIC SOLENOID ACTUATED)					
101		BRAKE APPLICATION AIR					
102		FLASH TO PASS					
CHK	DATE	CHANGE	REV	REFERENCE	DRAWN	NAME	
PEC	16JAN01	PRODUCTION RELEASE.	A	P54304U	U00DLCK	42/43/44/85/8600 & 73/74/7500 CIRC DIAGRAMS	
					RELEASE NO.	DATE	
					P52778H	15MAY00	
						PART NO.	
						AE08-52365	
						SHEET	
						05	

Figure 5 Circuit Number Identification and Location Chart (Cont.)

1.6. NAVPAK/ECM I6 ENGINE CONTROLLER CONNECTOR PIN NUMBER IDENTIFICATION, P. 6

INTERNATIONAL TRUCK AND ENGINE CORPORATION THIS PRINT IS PROVIDED ON A RESTRICTED BASIS AND IS NOT TO BE USED IN ANY WAY DETRIMENTAL TO THE INTEREST OF INTERNATIONAL TRUCK AND ENGINE CORPORATION.				ELECTRICAL CIRCUIT DIAGRAM CHAPTER 1 INTERNATIONAL NAVPAK/ECM I6 ENGINE CONTROLLER CONNECTOR PIN NUMBER IDENTIFICATION			
ECM PIN #	TERM	DESCRIPTION	ECM PIN #	TERM	DESCRIPTION		
12	AAT	AMBIENT AIR TEMP. SENSOR	27	IVS	IDLE VALIDATION SWITCH		
33	ACD	A/C DEMAND	54	OWL	OIL/WATER WARNING LIGHT		
8	APS	ACCELERATOR POS. SENSOR	25	PWR RLY	CEC MAIN POWER RELAY SIGNAL		
16	ATA(+)	J1708 DATALINK (+)	31	RAS	RESUME/ACCELERATE		
17	ATA(-)	J1708 DATALINK (-)	37	RPRF	PRESET SPEED		
29	BAP	BAROMETRIC AIR PRESS. SENSOR	30	RPS	REMOTE ACCELERATOR POS. SENS. SIG.		
43	BN01	BRAKE STATUS #1	6	RPS_RTN	REMOTE ACCELERATOR POS. SENS RTN.		
44	BN02	BRAKE STATUS #2	36	RVAR	VARIBLE SPEED SWITCH		
18	CAN SHLD	DRIVETRAIN J1939 DATALINK SHLD	32	SCS	SET/COAST		
19	CAN(+)	DRIVETRAIN J1939 DATALINK (+)	45	SIL	SERVICE INTERVAL LIGHT		
20	CAN(-)	DRIVETRAIN J1939 DATALINK (-)	34	STI	SELF TEST INPUT		
15	CBE_SEL1	RETARDER/EXHAUST BRAKE REQUEST	48	SUL	SHIFT UP LIGHT		
10	CLS	COOLANT LEVEL SENSOR	59	TACA	TACHOMETER A		
35	COD	CRUISE ON/OFF	60	TACB	TACHOMETER B		
21	DC (+)	POWER	38	TCSS	TORQUE CURVE SELECTION INPUT		
22	DC (+)	POWER	28	TSA	TWO SPEED AXLE		
1	DC (-)	GROUND	3	VBREF(5V)	ACCELERATOR SENSOR SUPPLY		
2	DC (-)	GROUND	11	VBREF GND	ACCELERATOR SENSOR GROUND		
26	DDS	DRIVELINE DISENGAUGED INPUT	5	VCREF(5V)	REMOTE ACCELERATOR SENS. SUPPLY		
42	DPS	GROUND	7	VCREF GND	REMOTE ACCELERATOR SENSOR GND		
46	ECI	ENGINE CRANK INHIBIT	24	VIGN	IGNITION FEED		
56	EDL	TRANSMISSION KICKDOWN	47	VRE	RETARDER/EXHAUST BRAKE ENABLE		
53	GPL	GLOW PLUG LIGHT	39	VSS(+)	VEHICLE SPEED SENSOR (+)		
4	HGE	HYD. PRESS GOVERNOR ENABLE	40	VSS(-)	VEHICLE SPEED SENSOR (-)		
49	HMI	HYDRAULIC PRESS GOVERNOR IND. LT	58	VSSCALA	SPEEDOMETER SIGNAL A		
13	HPS	HYDRAULIC PRESSURE SENSOR	57	VSSCALB	SPEEDOMETER SIGNAL B		
41	HSO (+)	POWER	55	WARN	ENGINE WARNING LIGHT		
23	HSO (-)	GROUND					
CHK	DATE	CHANGE	REV	REFERENCE	DRAWN	NAME	
PEC	16JAN01	PRODUCTION RELEASE.	A	P54304U	U00JXP9	42/43/44/85/8600 & 73/74/7500 CIRC DIAGRAMS	
					RELEASE NO.	DATE	
					P52778H	09AUG00	
						PART NO.	
						AE08-52365	
						SHEET	
						06	

Figure 6 NAVPAK/ECM I6 Engine Controller Connector Pin Number Identification

1.7. CIRCUIT DIAGRAM INSTRUCTIONS, P. 7


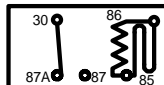
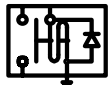

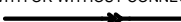
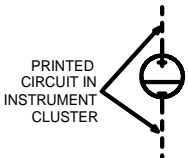

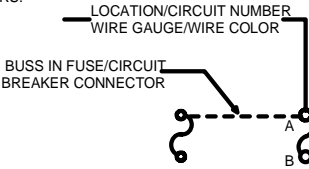
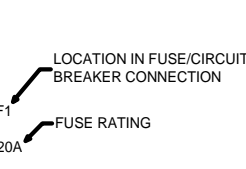
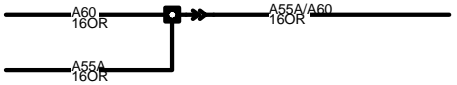
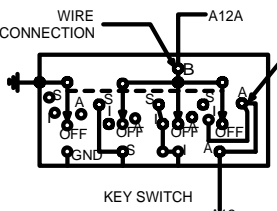
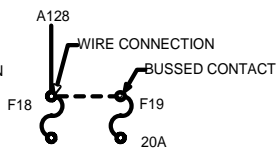
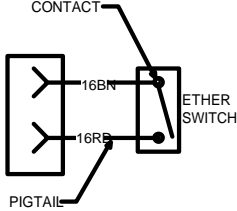
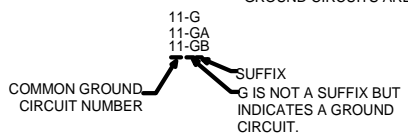
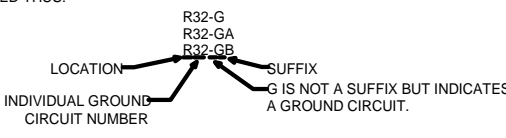
<p>INTERNATIONAL TRUCK AND ENGINE CORPORATION</p> <p>THIS PRINT IS PROVIDED ON A RESTRICTED BASIS AND IS NOT TO BE USED IN ANY WAY DETRIMENTAL TO THE INTEREST OF INTERNATIONAL TRUCK AND ENGINE CORPORATION.</p>	<p>ELECTRICAL CIRCUIT DIAGRAM CHAPTER 1</p> <p>CIRCUIT DIAGRAM INSTRUCTIONS</p>																																																								
<p>A - SWITCH AND RELAY POSITIONS AS SHOWN ON CIRCUIT DIAGRAMS INDICATE NORMAL POSITION WITH IGNITION OFF UNLESS OTHERWISE NOTED.</p> <div style="display: flex; justify-content: space-around; align-items: flex-end;"> <div style="text-align: center;">  <p>SWITCH: MANUAL/MECHANICAL</p> </div> <div style="text-align: center;">  <p>RELAY - SUPPRESSED</p> </div> <div style="text-align: center;">  <p>INDICATES CASE MAGNETIC GROUND SUPPRESSED</p> </div> </div>	<p>B - MULTIPLE CONNECTIONS ARE DISPLAYED ON SCHEMATIC AS SHOWN. REFER TO CONNECTOR COMPOSITE WITH APPLICABLE NUMBER FOR MORE COMPLETE INFORMATION.</p> <div style="text-align: center;">  <p>12 AND/OR 12</p> </div> <p>SINGLE IN-LINE CONNECTORS DISPLAYED AS SHOWN WITH OR WITHOUT CONNECTOR NUMBER.</p> 																																																								
<p>C - PHANTOM LINES INDICATE PRINTED CIRCUITS OR BUSSED CIRCUITS. THESE CIRCUITS EXIST IN THE INSTRUMENT CLUSTERS AND FUSE/CIRCUIT BREAKER CONNECTORS.</p> <div style="display: flex; justify-content: space-around;"> <div style="text-align: center;">  <p>PRINTED CIRCUIT IN INSTRUMENT CLUSTER</p> </div> <div style="text-align: center;">  <p>VOLTMETER</p> </div> <div style="text-align: center;">  <p>BUSS IN FUSE/CIRCUIT BREAKER CONNECTOR</p> </div> <div style="text-align: center;">  <p>LOCATION IN FUSE/CIRCUIT BREAKER CONNECTION</p> <p>F1 A B 20A FUSE RATING</p> </div> </div>																																																									
<p>D - MULTIPLE CIRCUIT NUMBERS ON A LINE INDICATE ONE WIRE DISTRIBUTING CURRENT TO TWO CIRCUITS.</p>  <p>A60 16OR, A55A/A60 16OR, A55A 16OR</p>																																																									
<p>E - SWITCHES, RELAYS AND COMPONENTS INDICATE EXTERNAL WIRE CONNECTIONS AND/OR INTERNAL CONNECTIONS OR CONTACTS.</p> <div style="display: flex; justify-content: space-around;"> <div style="text-align: center;">  <p>KEY SWITCH</p> </div> <div style="text-align: center;">  <p>BUSSED CONTACT</p> </div> <div style="text-align: center;">  <p>ETHER SWITCH</p> </div> </div>																																																									
<p>F - CIRCUIT "11" DENOTES ANY COMMON GROUND, (MORE THAN ONE CIRCUIT). ANY INDIVIDUAL GROUND CIRCUIT IS IDENTIFIED WITH THAT PARTICULAR CIRCUIT NUMBER. (E.G CIRCUIT 97 CRUISE CONTROL, IS IDENTIFIED PER EXAMPLE).</p> <p>NOTE: FOR CIRCUIT DESCRIPTION OTHER THAN GROUNDS, NEITHER THE LETTER "G" NOR THE COLOR WHITE SHALL BE USED.</p> <p style="text-align: center;">GROUND CIRCUITS ARE DESCRIBED THIS:</p> <div style="display: flex; justify-content: space-around;"> <div style="text-align: center;">  <p>COMMON GROUND CIRCUIT NUMBER</p> <p>11-G, 11-GA, 11-GB</p> <p>SUFFIX G IS NOT A SUFFIX BUT INDICATES A GROUND CIRCUIT.</p> </div> <div style="text-align: center;">  <p>INDIVIDUAL GROUND CIRCUIT NUMBER</p> <p>R32-G, R32-GA, R32-GB</p> <p>SUFFIX G IS NOT A SUFFIX BUT INDICATES A GROUND CIRCUIT.</p> </div> </div>																																																									
<table border="1" style="width:100%; border-collapse: collapse;"> <tr> <th>CHK</th> <th>DATE</th> <th>CHANGE</th> <th>REV</th> <th>REFERENCE</th> <th>DRAWN</th> <th>NAME</th> </tr> <tr> <td>PEC</td> <td>16JAN01</td> <td>PRODUCTION RELEASE.</td> <td>A</td> <td>P54304U</td> <td>U00DLCK</td> <td>42/43/44/85/8600 & 73/74/7500 CIRC DIAGRAMS</td> </tr> <tr> <td></td> <td></td> <td></td> <td></td> <td></td> <td>RELEASE NO.</td> <td>DATE</td> </tr> <tr> <td></td> <td></td> <td></td> <td></td> <td></td> <td>P52778H</td> <td>15MAY00</td> </tr> <tr> <td></td> <td></td> <td></td> <td></td> <td></td> <td></td> <td>PART NO.</td> </tr> <tr> <td></td> <td></td> <td></td> <td></td> <td></td> <td></td> <td>AE08-52365</td> </tr> <tr> <td></td> <td></td> <td></td> <td></td> <td></td> <td></td> <td>SHEET</td> </tr> <tr> <td></td> <td></td> <td></td> <td></td> <td></td> <td></td> <td>07</td> </tr> </table>		CHK	DATE	CHANGE	REV	REFERENCE	DRAWN	NAME	PEC	16JAN01	PRODUCTION RELEASE.	A	P54304U	U00DLCK	42/43/44/85/8600 & 73/74/7500 CIRC DIAGRAMS						RELEASE NO.	DATE						P52778H	15MAY00							PART NO.							AE08-52365							SHEET							07
CHK	DATE	CHANGE	REV	REFERENCE	DRAWN	NAME																																																			
PEC	16JAN01	PRODUCTION RELEASE.	A	P54304U	U00DLCK	42/43/44/85/8600 & 73/74/7500 CIRC DIAGRAMS																																																			
					RELEASE NO.	DATE																																																			
					P52778H	15MAY00																																																			
						PART NO.																																																			
						AE08-52365																																																			
						SHEET																																																			
						07																																																			

Figure 7 Circuit Diagram Instructions

1.8. CIRCUIT DIAGRAM INSTRUCTIONS, P. 8

INTERNATIONAL TRUCK AND ENGINE CORPORATION THIS PRINT IS PROVIDED ON A RESTRICTED BASIS AND IS NOT TO BE USED IN ANY WAY DETRIMENTAL TO THE INTEREST OF INTERNATIONAL TRUCK AND ENGINE CORPORATION.		ELECTRICAL CIRCUIT DIAGRAM CHAPTER 1 CIRCUIT DIAGRAM INSTRUCTIONS						
<p>G - ABBREVIATIONS: COLOR, NOUN AND ENGINE</p> <table style="width: 100%; border: none;"> <tr> <td style="width: 33%; vertical-align: top;"> <p>COLOR ABBREVIATION</p> <p>AQ - AQUA BK - BLACK BL - BLUE BN - BROWN DK GN - DARK GREEN GD - GOLD GY - GRAY GN - GREEN LT BL - LIGHT BLUE</p> </td> <td style="width: 33%; vertical-align: top;"> <p>LT GN - LIGHT GREEN OR - ORANGE PK - PINK PL - PURPLE RD - RED SIL - SILVER TN - TAN VT - VIOLET WH - WHITE YL - YELLOW</p> </td> <td style="width: 33%; vertical-align: top;"> <p>NOUN ABBREVIATION</p> <p>A ACCESSORY ACC - AIR CONDITIONER AC - AUX - AUXILIARY AWG - AMERICAN WIRE GAUGE B BATTERY BAT - CONN- CONNECTION OR CONNECTOR DRL - DAYTIME RUNNING LIGHTS ENG - ENGINE FWD - FORWARD GA - GAUGE</p> </td> <td style="width: 33%; vertical-align: top;"> <p>G GROUND GND - I IGNITION IGN - IND - INDICATOR L - LEFT LT - LIGHT W/O - WITHOUT DRL - DAYTIME RUNNING LIGHTS OPT - OPTIONAL R - RIGHT S - START OR SENDER THERMO - THERMOSTAT W/ - WITH</p> </td> </tr> </table> <p>ENGINE ABBREVIATION</p> <p>ISM - MFG (CUMMINS) 10.8 LITER ELECTRONIC ENGINE CONTROL</p> <p>N14E PLUS - MFG (CUMMINS) 14 LITER ELECTRONIC ENGINE CONTROL</p> <p>C-10,C-12 - MFG (CATERPILLAR) 10.3 LITER ELECTRONIC ENGINE CONTROL</p> <p>V8-AVNT - MFG (INTERNATIONAL) V8 6.0 LITER ELECTRONIC ENGINE CONTROL</p> <p>I6-HEUI - MFG (INTERNATIONAL) NGD I6 DT466 & DT/HT530 ELECTRONIC ENGINE CONTROL</p>				<p>COLOR ABBREVIATION</p> <p>AQ - AQUA BK - BLACK BL - BLUE BN - BROWN DK GN - DARK GREEN GD - GOLD GY - GRAY GN - GREEN LT BL - LIGHT BLUE</p>	<p>LT GN - LIGHT GREEN OR - ORANGE PK - PINK PL - PURPLE RD - RED SIL - SILVER TN - TAN VT - VIOLET WH - WHITE YL - YELLOW</p>	<p>NOUN ABBREVIATION</p> <p>A ACCESSORY ACC - AIR CONDITIONER AC - AUX - AUXILIARY AWG - AMERICAN WIRE GAUGE B BATTERY BAT - CONN- CONNECTION OR CONNECTOR DRL - DAYTIME RUNNING LIGHTS ENG - ENGINE FWD - FORWARD GA - GAUGE</p>	<p>G GROUND GND - I IGNITION IGN - IND - INDICATOR L - LEFT LT - LIGHT W/O - WITHOUT DRL - DAYTIME RUNNING LIGHTS OPT - OPTIONAL R - RIGHT S - START OR SENDER THERMO - THERMOSTAT W/ - WITH</p>	
<p>COLOR ABBREVIATION</p> <p>AQ - AQUA BK - BLACK BL - BLUE BN - BROWN DK GN - DARK GREEN GD - GOLD GY - GRAY GN - GREEN LT BL - LIGHT BLUE</p>	<p>LT GN - LIGHT GREEN OR - ORANGE PK - PINK PL - PURPLE RD - RED SIL - SILVER TN - TAN VT - VIOLET WH - WHITE YL - YELLOW</p>	<p>NOUN ABBREVIATION</p> <p>A ACCESSORY ACC - AIR CONDITIONER AC - AUX - AUXILIARY AWG - AMERICAN WIRE GAUGE B BATTERY BAT - CONN- CONNECTION OR CONNECTOR DRL - DAYTIME RUNNING LIGHTS ENG - ENGINE FWD - FORWARD GA - GAUGE</p>	<p>G GROUND GND - I IGNITION IGN - IND - INDICATOR L - LEFT LT - LIGHT W/O - WITHOUT DRL - DAYTIME RUNNING LIGHTS OPT - OPTIONAL R - RIGHT S - START OR SENDER THERMO - THERMOSTAT W/ - WITH</p>					
CHK	DATE	CHANGE	REV	REFERENCE	DRAWN	NAME		
PEC	16JAN01	PRODUCTION RELEASE.	A	P54304U	U00JXP9	42/43/44/85/8600 & 73/74/7500 CIRC DIAGRAMS		
					RELEASE NO.	DATE	PART NO.	SHEET
					P52778H	10AUG00	AE08-52365	08

Figure 8 Circuit Diagram Instructions (Cont.)

1.9. SCHEMATIC SYMBOL CHART, P. 9

INTERNATIONAL TRUCK AND ENGINE CORPORATION				ELECTRICAL CIRCUIT DIAGRAM CHAPTER 1			
THIS PRINT IS PROVIDED ON A RESTRICTED BASIS AND IS NOT TO BE USED IN ANY WAY DETRIMENTAL TO THE INTEREST OF INTERNATIONAL TRUCK AND ENGINE CORPORATION.				SCHEMATIC SYMBOL CHART			
SYMBOL		DESCRIPTION		DESCRIPTION		SYMBOL	
		MALE/FEMALE IN-LINE CONNECTION		HORN			
		FEMALE TERMINAL		SPEAKER - SOUND SYSTEM			
		MALE TERMINAL		MAGNETIC SWITCH			
		GROUND		LIGHT - SINGLE FILAMENT			
		FUSE		LIGHT - DOUBLE FILAMENT			
		LIGHT EMITTING DIODE		SENDER - OIL, WATER, FUEL, TEMPERATURE			
		RESISTOR					
		SWITCH CONTACT, NORMALLY OPEN					
		SWITCH CONTACT, NORMALLY CLOSED					
		JUNCTION POINT					
		SPLICE					
		SWITCH-PRESSURE					
		SWITCH-MANUAL/MECHANICAL					
		RELAY-SUPPRESSED					
		SOLENOID - GENERAL USAGE					
		MOTOR - ELECTRIC					
		CIGAR LIGHTER					

CHK	DATE	CHANGE	REV	REFERENCE	DRAWN	NAME
PEC	16JAN01	PRODUCTION RELEASE.	A	P54304U	U00DLCK	42/43/44/85/8600 & 73/74/7500 CIRC DIAGRAMS
					RELEASE NO.	DATE
					P52778H	19MAY00
						PART NO.
						AE08-52365
						SHEET
						09

Figure 9 Schematic Symbol Chart

1.10. RELAY FUNCTIONS, P. 10

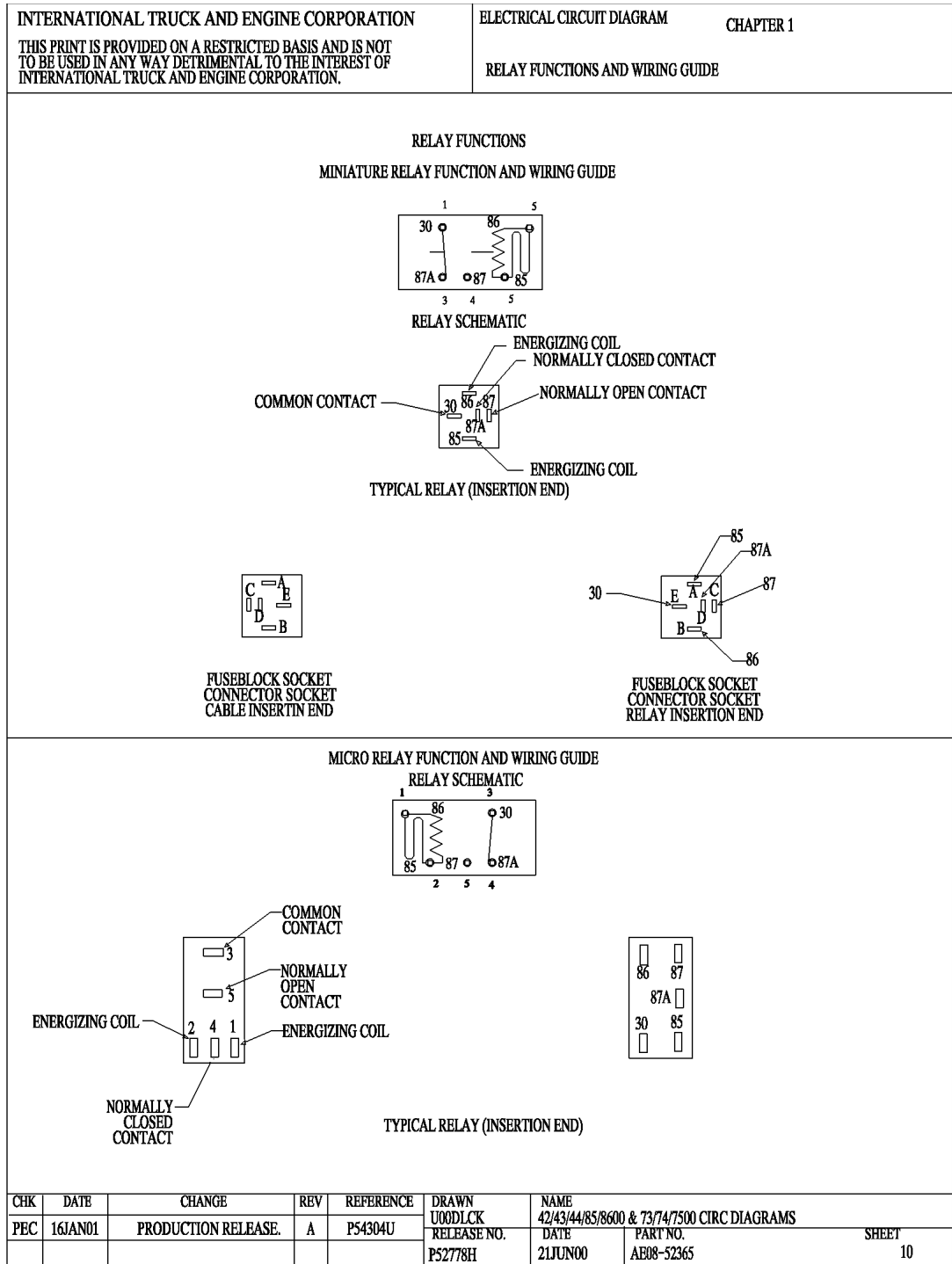


Figure 10 Relay Functions

1.11. LAMP BULB CHART, P. 11

INTERNATIONAL TRUCK AND ENGINE CORPORATION		ELECTRICAL CIRCUIT DIAGRAM		CHAPTER 1			
THIS PRINT IS PROVIDED ON A RESTRICTED BASIS AND IS NOT TO BE USED IN ANY WAY DETRIMENTAL TO THE INTEREST OF INTERNATIONAL TRUCK AND ENGINE CORPORATION.		LAMP BULB CHART					
BULB APPLICATION	CANDLEPOWER OR WATTS	BULB TRADE NUMBER					
BACK-UP LIGHTS	32 CANDLEPOWER	GE1156					
CLEARANCE & IDENTIFICATION	3 CANDLEPOWER	GE193					
COURTESY LIGHT	3 CANDLEPOWER	GE168					
DOVE LIGHTS	12 CANDLEPOWER	GE561					
FOG LIGHTS	55 CANDLEPOWER.....	VH550					
HEAD LIGHTS:							
LOW BEAMS	65 WATTS	GE9007					
HIGH BEAMS	65 WATTS	GE9007					
INSTRUMENT CLUSTER:							
GAUGE BACK LIGHT		82S27054					
GAUGE WARNING LED (RED)		82S272109-3					
RANGE INHIBIT LED (YELLOW)		82S272109-4					
COLD AMBIENT PROTECTION LED (YELLOW)		82S272109-4					
FUEL FILTER LED (YELLOW)		82S272109-4					
WARN ENGINE LED (YELLOW)		82S272109-4					
STOP ENGINE LED (RED)		82S272109-3					
BRAKE PRESSURE LED (RED)		82S272109-3					
BRAKE FLUID LED (RED)		82S272109-3					
WAIT TO START LED (YELLOW)		82S272109-4					
CHECK TRANSMISSION LED (YELLOW)		82S272109-4					
TRAILER ABS LED (YELLOW)		82S272109-4					
WASHER FLUID LED (YELLOW)		82S272109-4					
LEFT TURN SIGNAL LED (GREEN)		82S272109-2					
TRACTION CONTROL LED (GREEN)		82S272109-2					
WATER IN FUEL LED (YELLOW)		82S272109-4					
PARK FLUID LED LIGHT (RED)		82S272109-3					
CHECK ELECTRICAL SYSTEMS LED (YELLOW)		82S272109-4					
PARK BRAKE LED (RED)		82S272109-3					
CRUISE CTRL ACTIVE LED (GREEN)		82S272109-2					
ANTILOCK BRAKING SYSTEM LED (YELLOW)		82S272109-4					
RIGHT TURN LED (GREEN)		82S272109-2					
COOLANT LEVEL LED (RED)		82S272109-3					
SEAT BELT LED (RED)		82S272109-3					
HIGH BEAM ICON LED (BLUE)		82S272109-5					
CHECK AIR CONDITIONER LED (YELLOW)		82S272109-4					
RETARD OVER HEAT LED (RED)		82S272109-3					
PTO/THROTTLE LED (RED)		82S272109-3					
MAP LIGHT	3 CANDLEPOWER	1816					
SIDE MARKER		2458					
STOP & TURN/TAIL & LICENSE PLATE	32/3 CANDLEPOWER	1157					
TURN SIGNAL/MARKER (FENDER)		3157					
TURN SIGNAL & MARKER LIGHT		2356					
WORK (TRAILER HOOK-UP) LIGHT	35 WATTS	4411					
CHK	DATE	CHANGE	REV	REFERENCE	DRAWN	NAME	
PEC	16JAN01	PRODUCTION RELEASE.	A	P54304U	U00DLCK	42/43/44/85/8600 & 73/74/7500 CIRC DIAGRAMS	
					RELEASE NO.	DATE	PART NO.
					P52778H	20JUN00	AE08-52365
							SHEET
							11

Figure 11 Lamp Bulb Chart

1.12. NAVPAK/ECM V8–AVNT CONTROLLER CONNECTORS X3 AND X4 PIN NUMBER IDENTIFICATION, P.12

INTERNATIONAL TRUCK AND ENGINE CORPORATION THIS PRINT IS PROVIDED ON A RESTRICTED BASIS AND IS NOT TO BE USED IN ANY WAY DETRIMENTAL TO THE INTEREST OF INTERNATIONAL TRUCK AND ENGINE CORPORATION.				ELECTRICAL CIRCUIT DIAGRAM CHAPTER 1 INTERNATIONAL NAVPAK/ECM V8-AVNT CONTROLLER CONNECTORS X3 & X4 PIN NUMBER IDENTIFICATION				
CONNECTOR (X3)				CONNECTOR (X4)				
ECM PIN #	TERM	DESCRIPTION		ECM PIN #	TERM	DESCRIPTION		
1	FPM	FUEL PUMP MONITOR		1	KL.87	BATTERY POWER		
2	FLI	FUEL LEVEL INDICATOR		2	KL.87	BATTERY POWER		
3	KL.15	IGNITION FEED		3		NOT POPULATED		
4	ECL	ENGINE COOLANT LEVEL		4	VBREF	SENSOR REFERENCE VOLTAGE		
5	MPR	MAIN POWER RELAY		5		NOT POPULATED		
6	KL.31	GROUND		6	LSI_SPARE2	LOW SPEED INOUT 2		
7	KL.31	GROUND		7		NOT POPULATED		
8	DDS	DRIVELINE DISENGAGE SWITCH		8		NOT POPULATED		
9	FPC	FUEL PUMP CONTROL		9	VSS-	VEHICLE SPEED SENSOR-		
10	TCSS	TORQUE CURVE SELECT SWITCH		10	VSS+	VEHICLE SPEED SENSOR+		
11	TACH	TACHOMETER CONTROL		11		NOT POPULATED		
12	CAN1+	DRIVETRAIN J1939 DATALINK +		12	IVS	IDLE VALIDATION SWITCH		
13	CAN1-	DRIVETRAIN J1939 DATALINK -		13		NOT POPULATED		
14	RAS	RESUME/ACCELERATE		14	EFAN	ELECTRIC FAN CONTROL		
15	CAN1-SHLD	DRIVETRAIN 1939 DATALINK SHLD		15	LSO_SPARE4	LOW SIDE OUTPUT 4		
16		NOT POPULATED		16		NOT POPULATED		
17	VSS_CAL	VEHICLE SPEED SENSOR CALIBRATION		17		NOT POPULATED		
18	VRE	VEHICLE RETARDER ENABLE		18	APS	ACCELERATION POSITION SENSOR		
19	RPRE	REMOTE PRESET PTO ENABLE		19		NOT POPULATED		
20	RVAR	REMOTE VARIABLE PTO ENABLE		20	ATA+	J1708 DATALINK +		
21	SCS	SET/COAST		21	ATA-	J1708 DATALINK -		
22	ESHTR	ELECTRONIC SHUTTER RELAY		22		NOT POPULATED		
23	ECI	ENGINE CRANK INHIBIT		23	GSC	GENSET SPEED CONTROL		
24	BAP	BAROMETRIC AIR PRESSURE		24	KL.31B	SENSOR REFERENCE GROUND		
CHK	DATE	CHANGE	REV	REFERENCE	DRAWN	NAME		
					U00DLCK	42/43/44/85/8600 & 73/74/7500 CIRC DIAGRAMS		
					RELEASE NO.	DATE	PART NO.	SHEET
					P54304U	16JAN01	AE08-52365	12

Figure 12 NAVPAK/ECM V8–AVNT Controller Connectors X3 and X4 Pin Number Identification

2.2. BATTERY FEEDS, CAB, P. 2

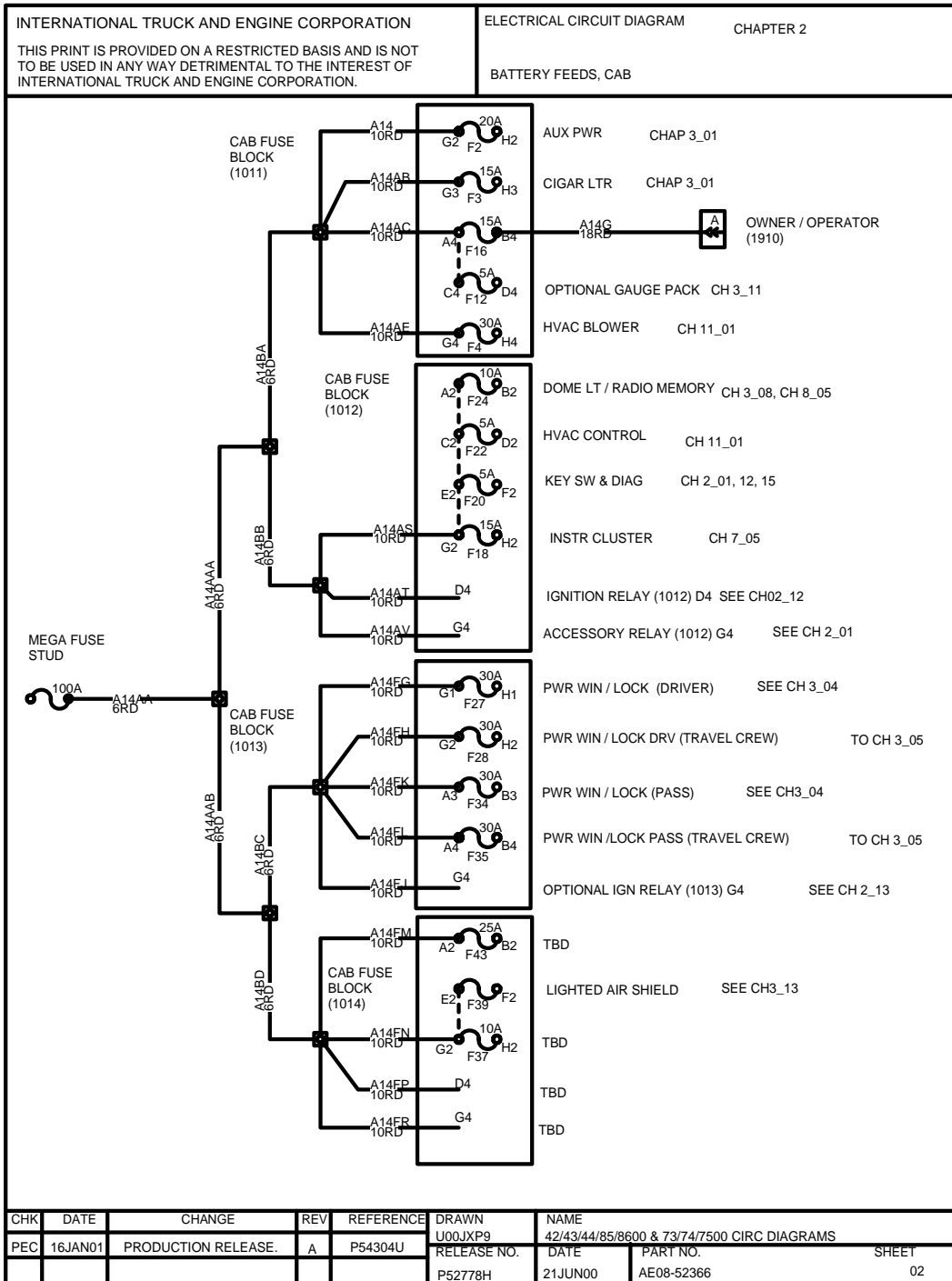


Figure 14 Battery Feeds, Cab

2.3. BATTERY, P. 3

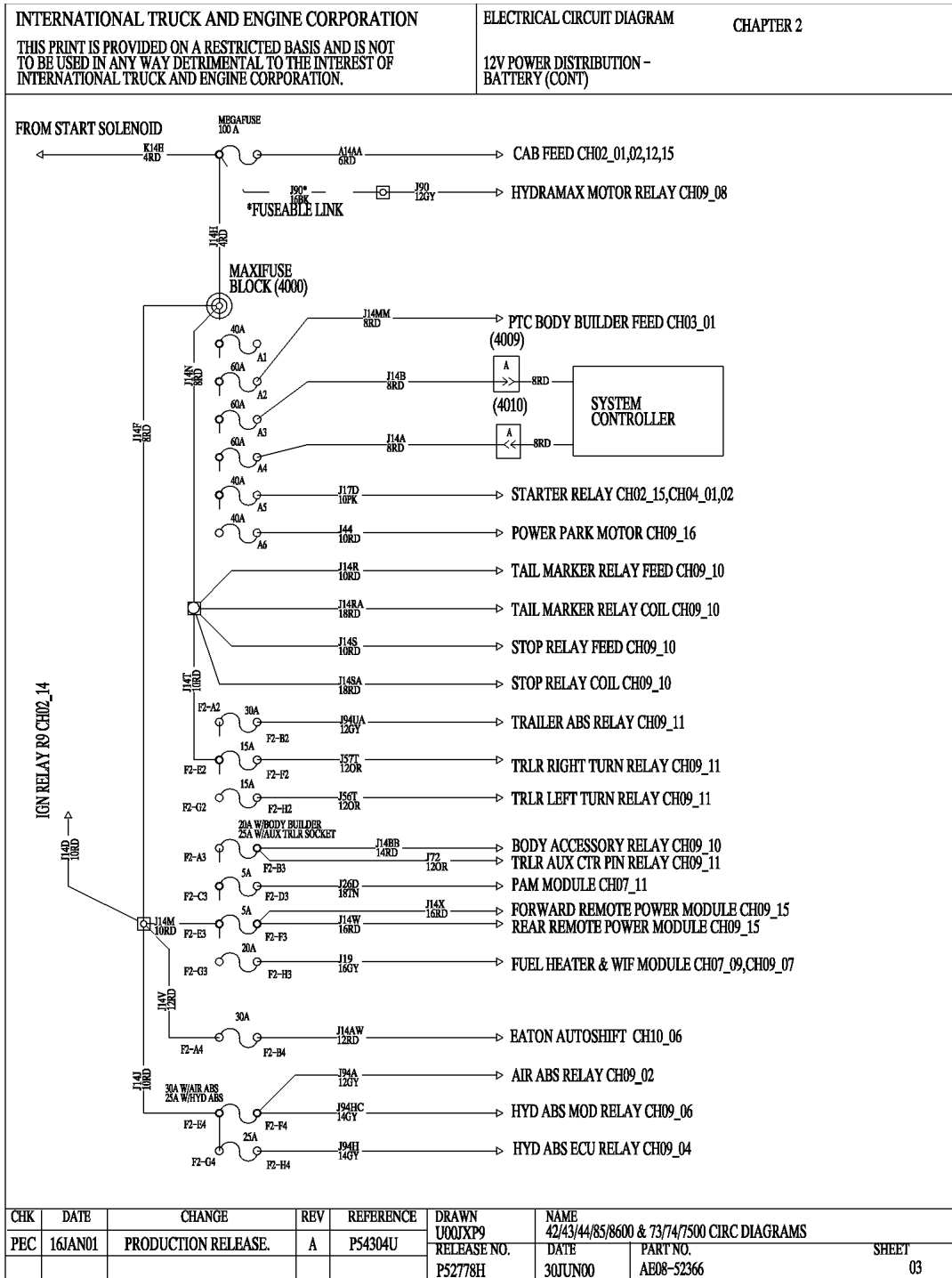


Figure 15 Battery

2.4. 1708 DATA LINK, P. 4

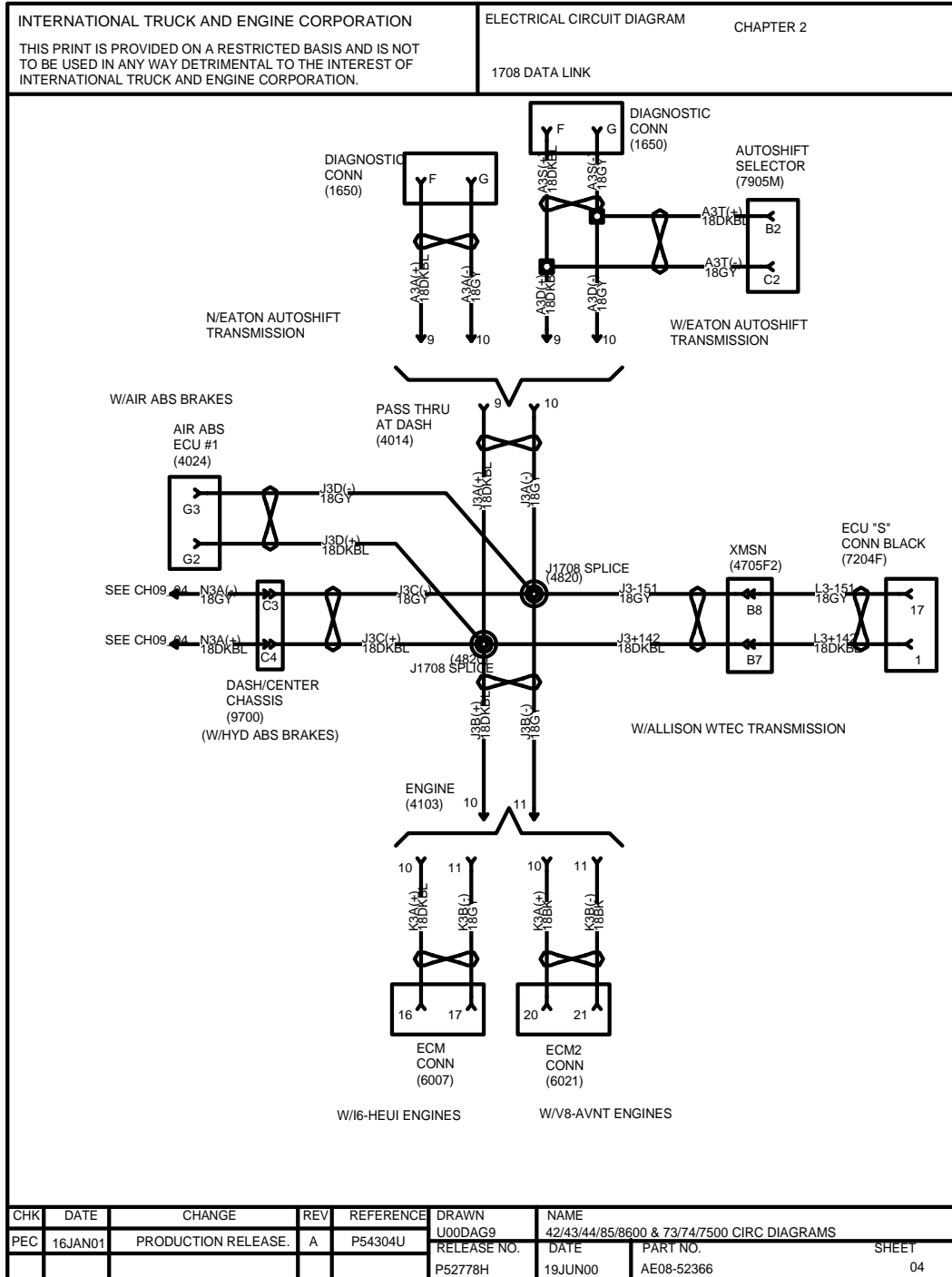


Figure 16 1708 Data Link

2.5. SWITCH DATA LINK, P. 5

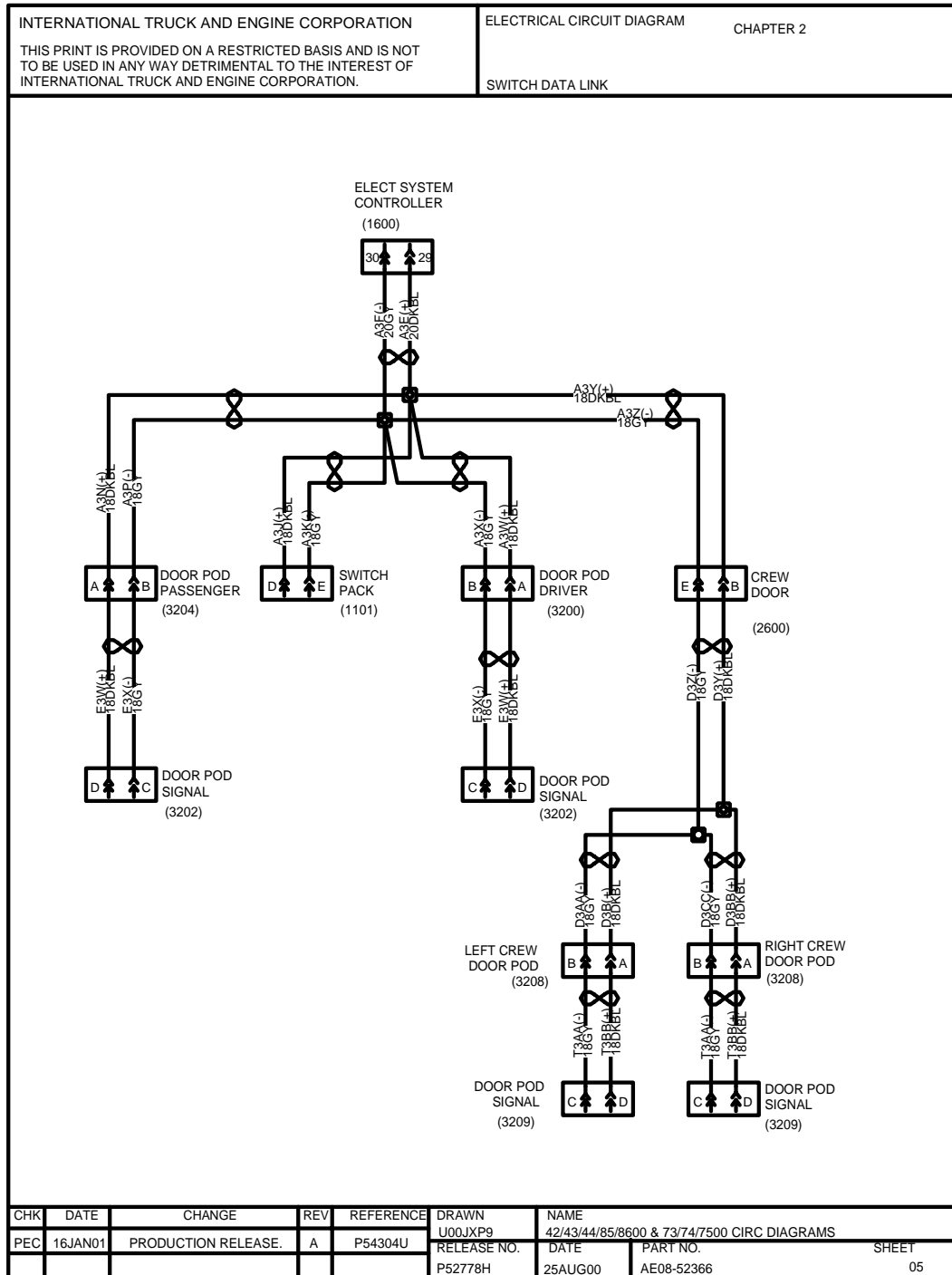


Figure 17 Switch Data Link

2.6. DRIVETRAIN 1939 DATA LINK (CAB), P. 6

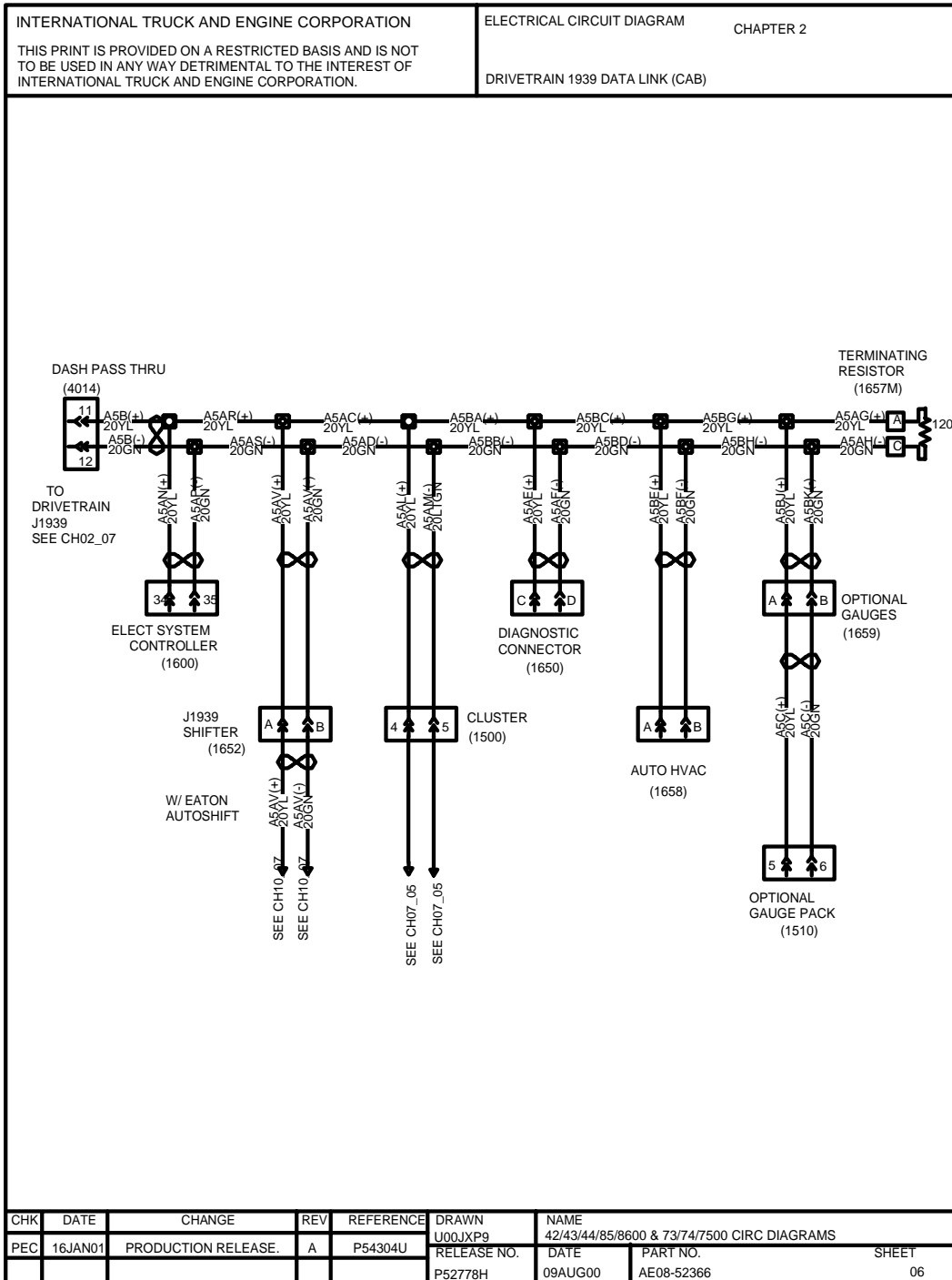


Figure 18 Drivetrain 1939 Data Link (Cab)

2.7. DRIVETRAIN 1939 DATA LINK (CHASSIS), P. 7

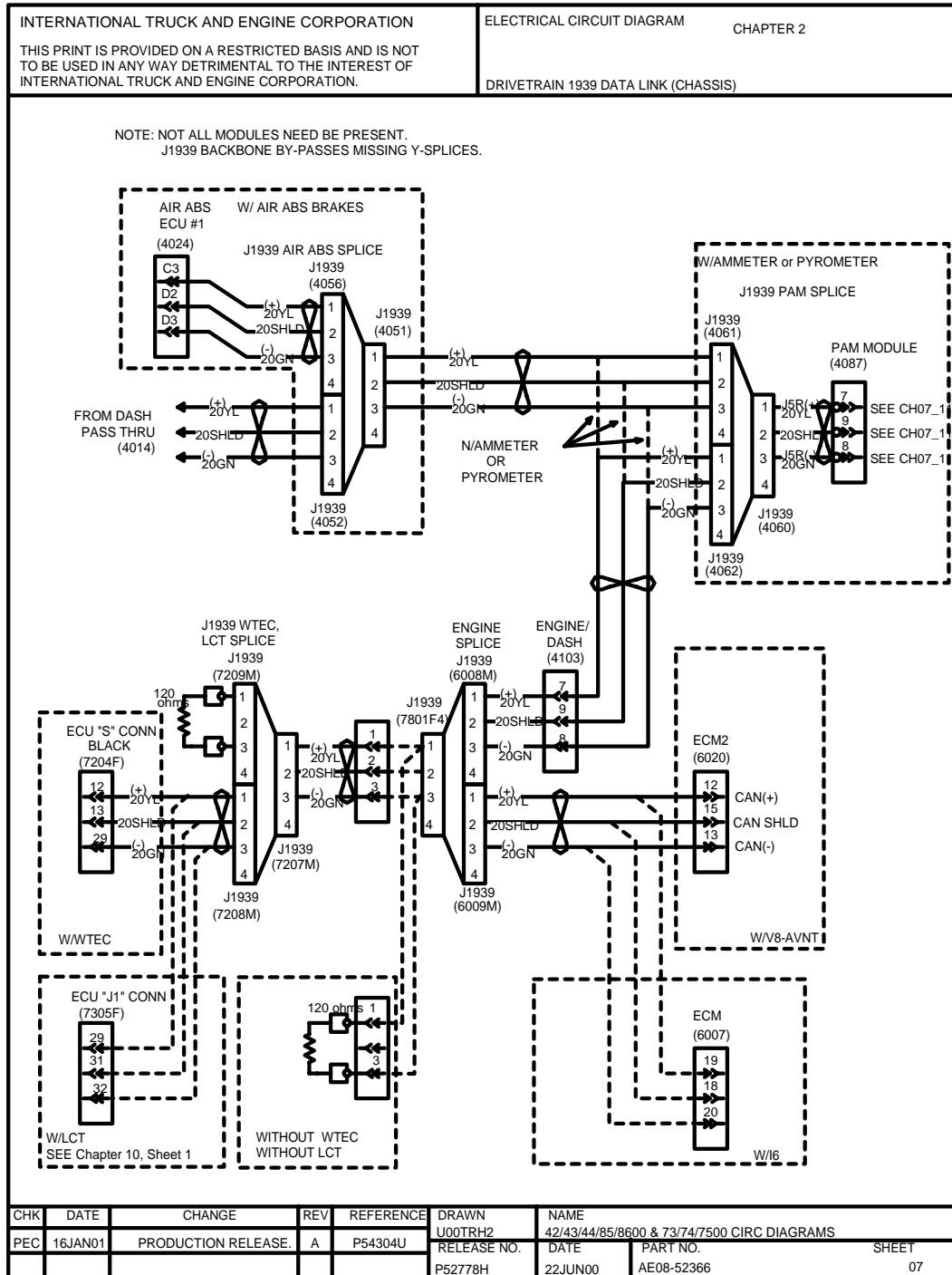


Figure 19 Drivetrain 1939 Data Link (Chassis)

2.8. GROUNDS CHASSIS, P. 8

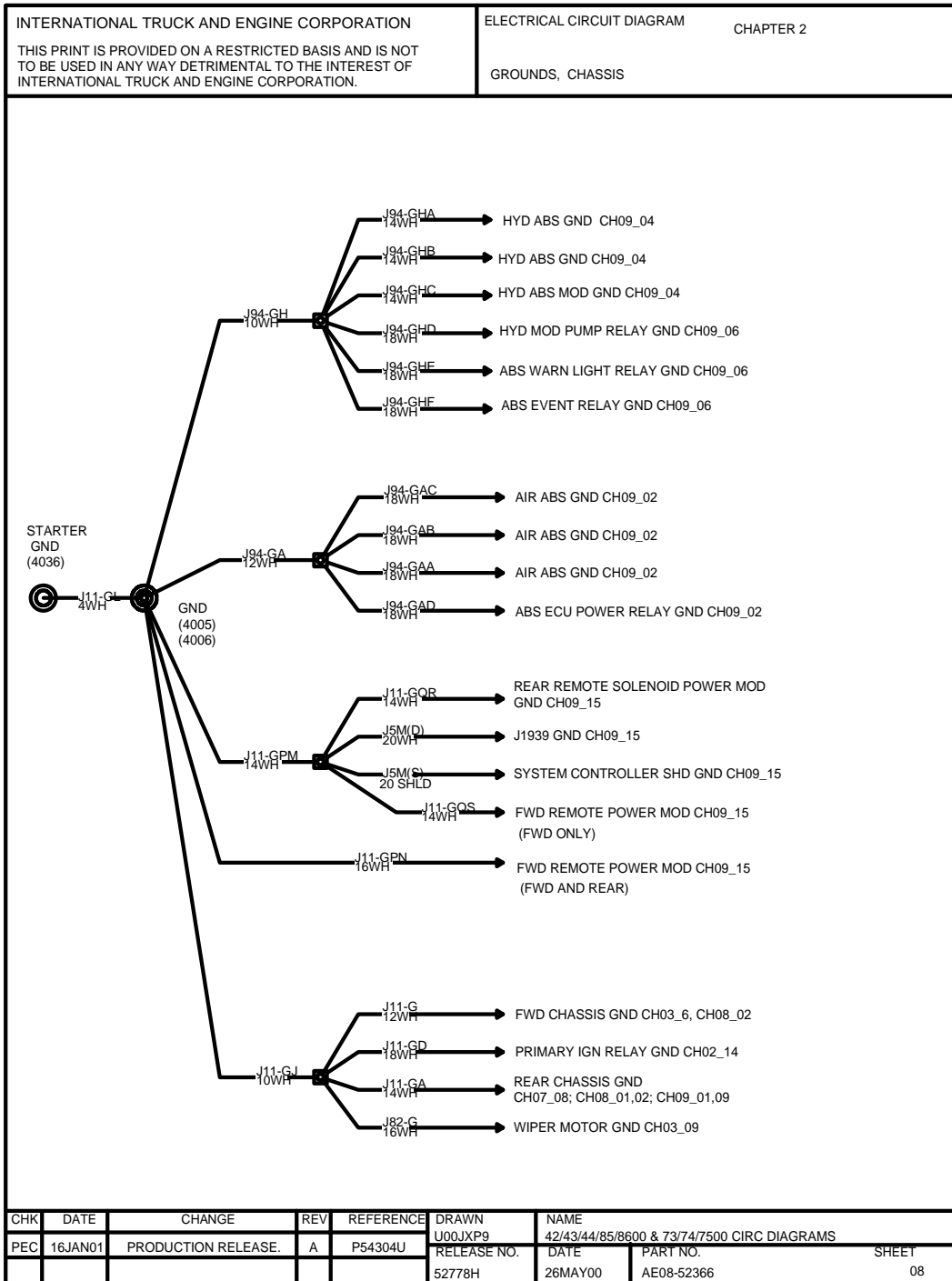


Figure 20 Grounds Chassis

2.9. GROUNDS CHASSIS, P. 9

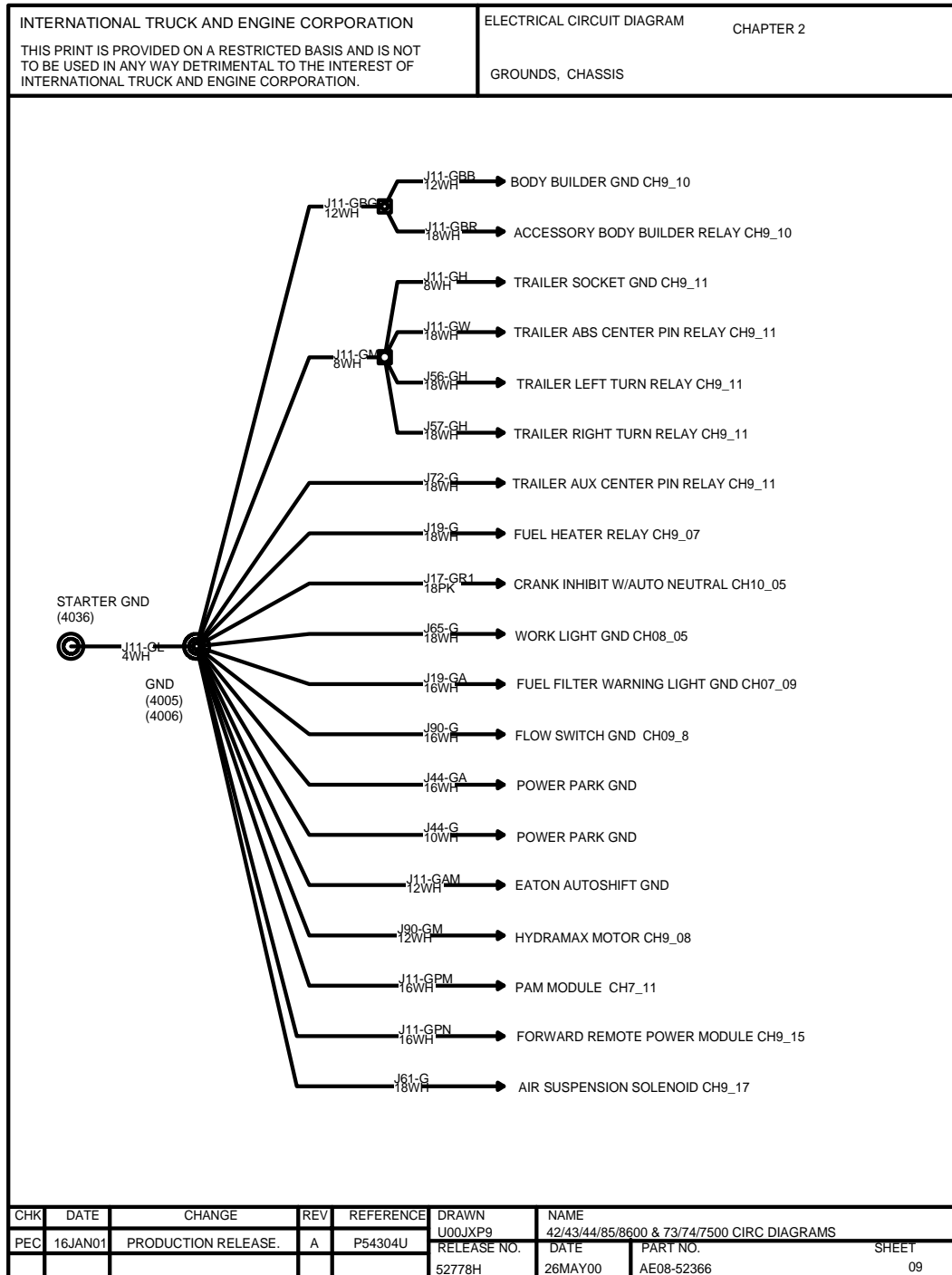


Figure 21 Grounds Chassis (Cont.)

2.10. GROUNDS IP, P. 10

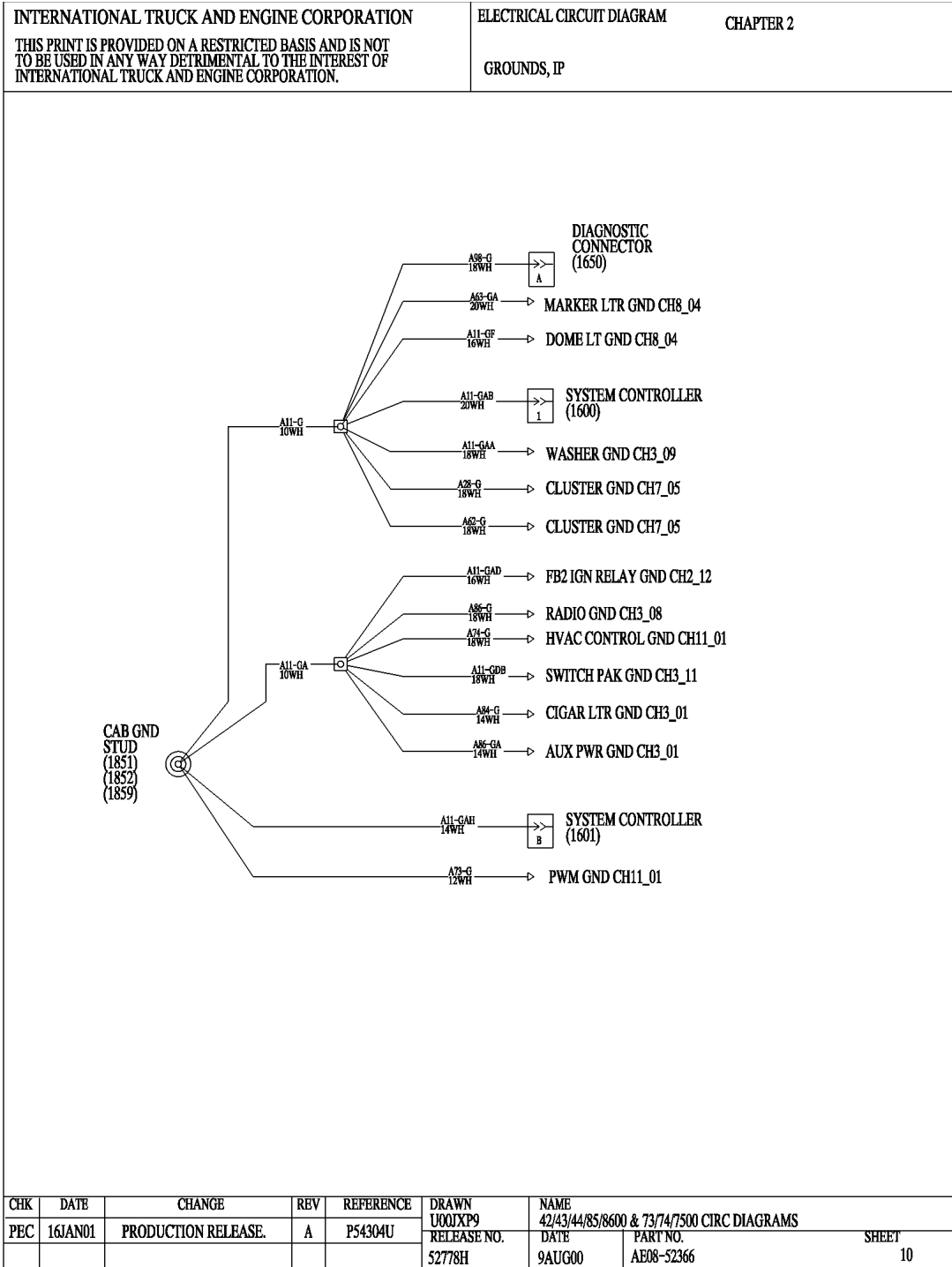


Figure 22 Grounds IP

2.11. GROUNDS IP, P. 11

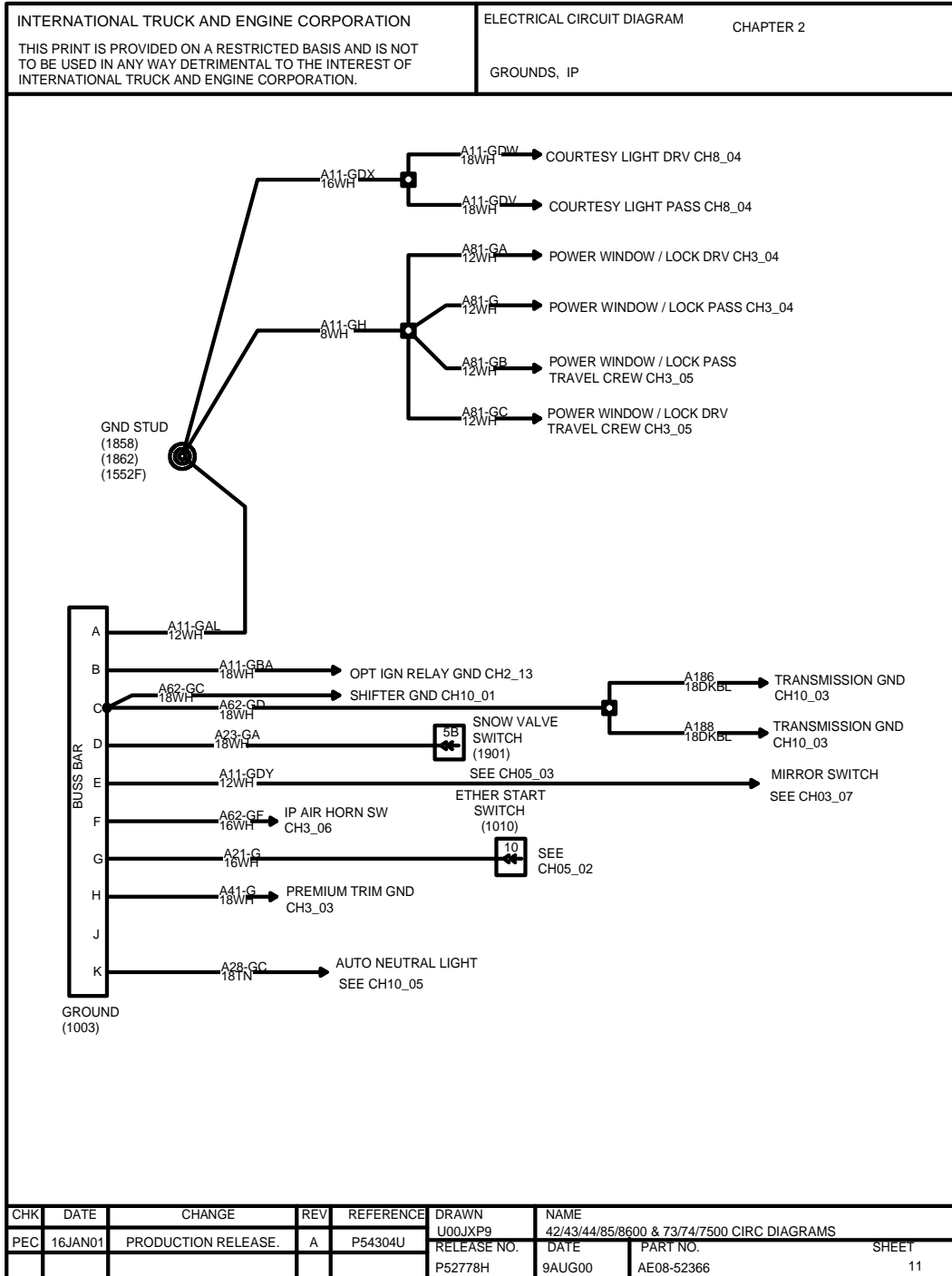


Figure 23 Grounds IP

2.12. IGNITION CAB, P. 12

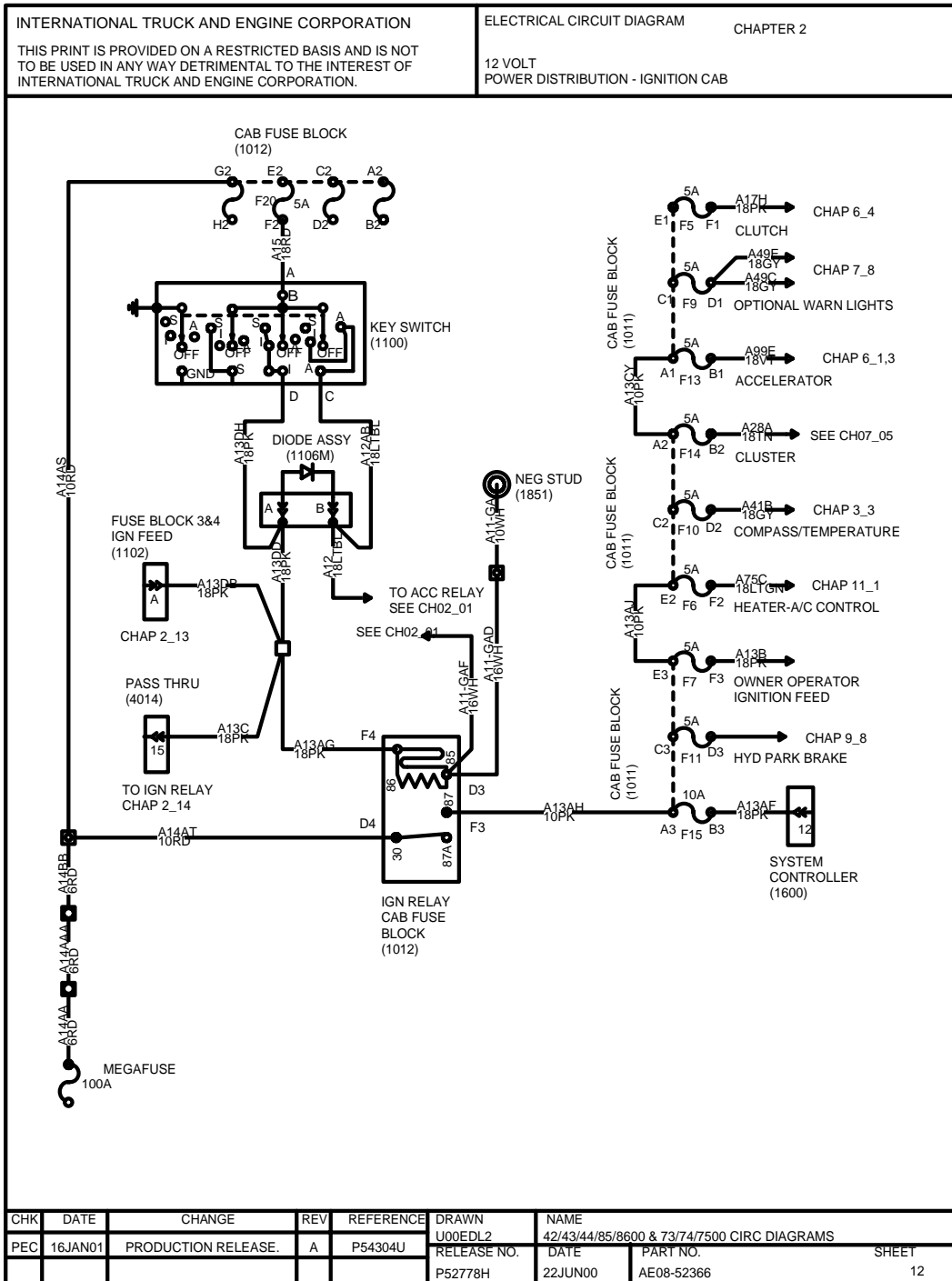


Figure 24 Ignition Cab

2.13. IGNITION CAB, P. 13

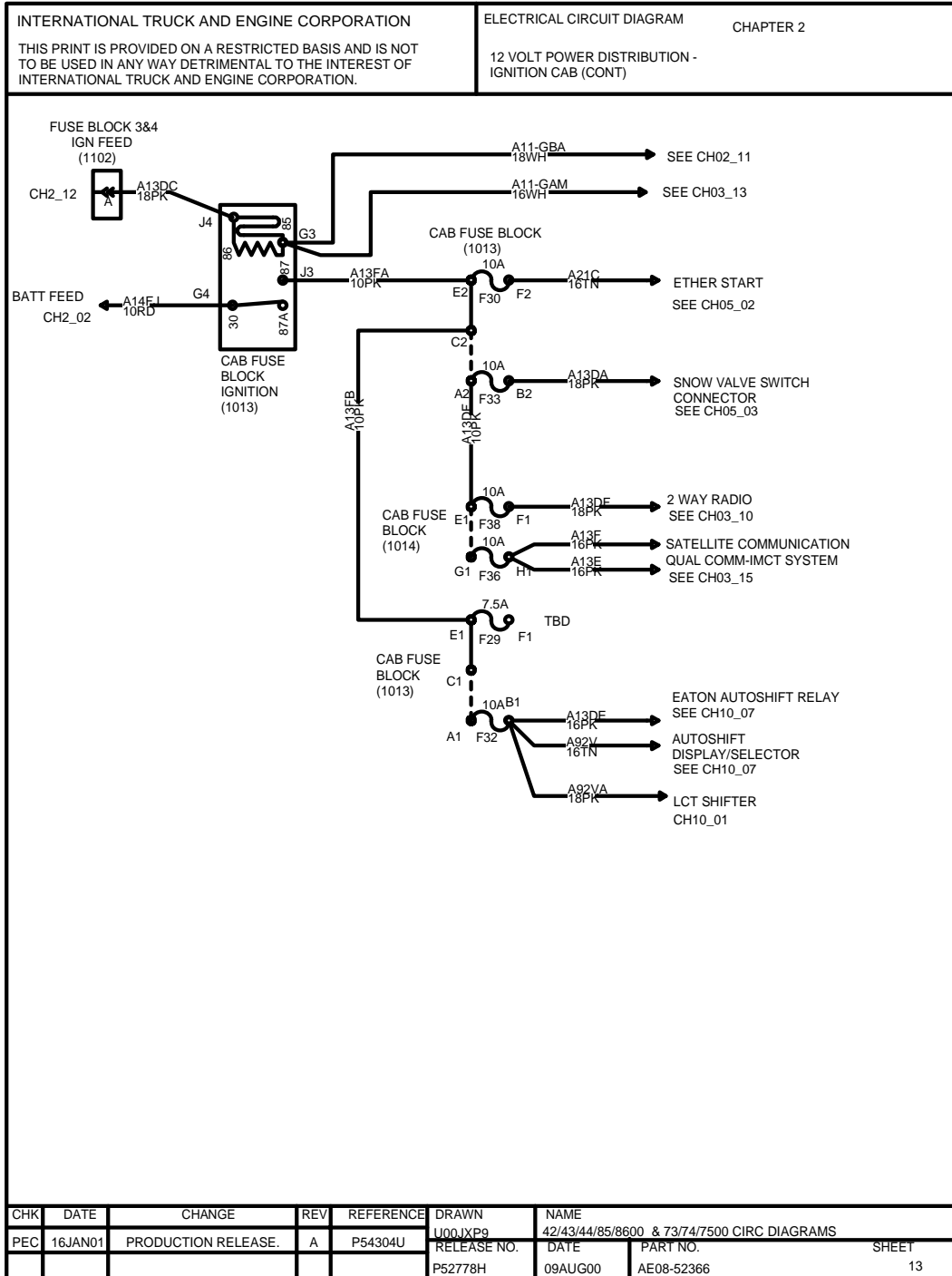


Figure 25 Ignition Cab (Cont.)

2.14. IGNITION FEEDS, CHASSIS, P. 14

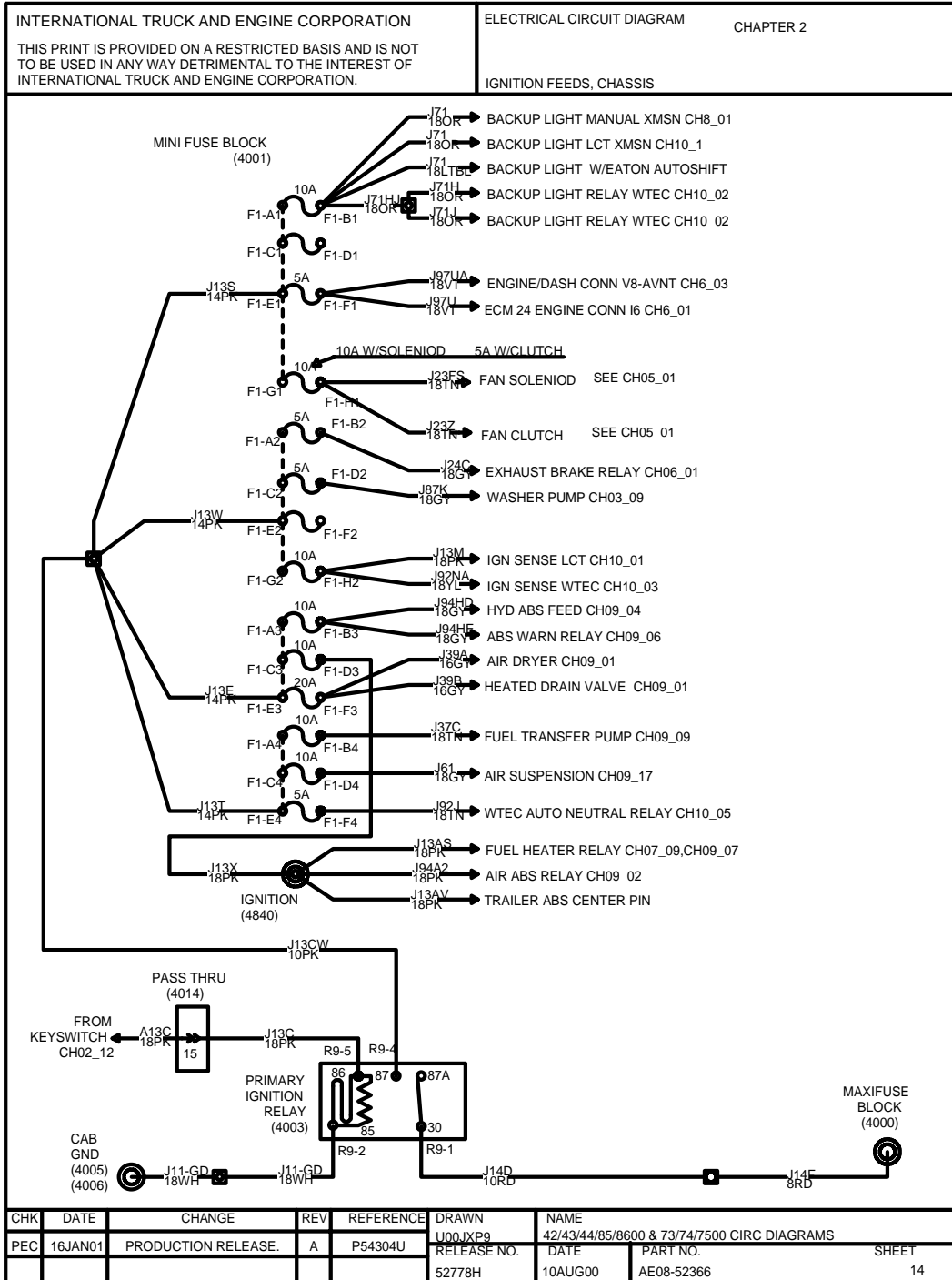


Figure 26 Ignition Feeds, Chassis

2.15. START, P. 15

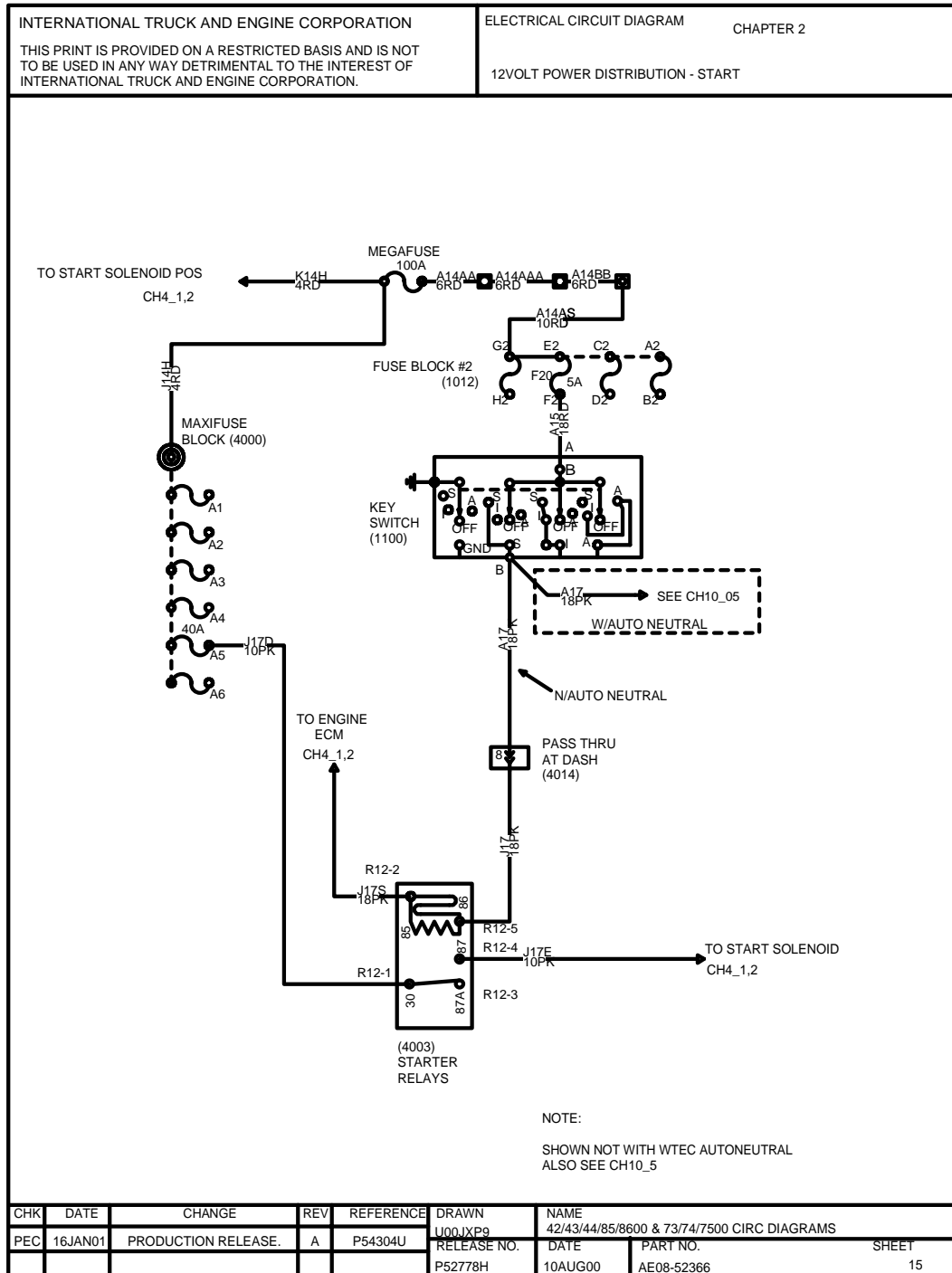


Figure 27 Start

3. CAB ACCESSORIES (CHAPTER 3)

3.1. CIGAR LIGHTER AND POWER FEEDS, P. 1

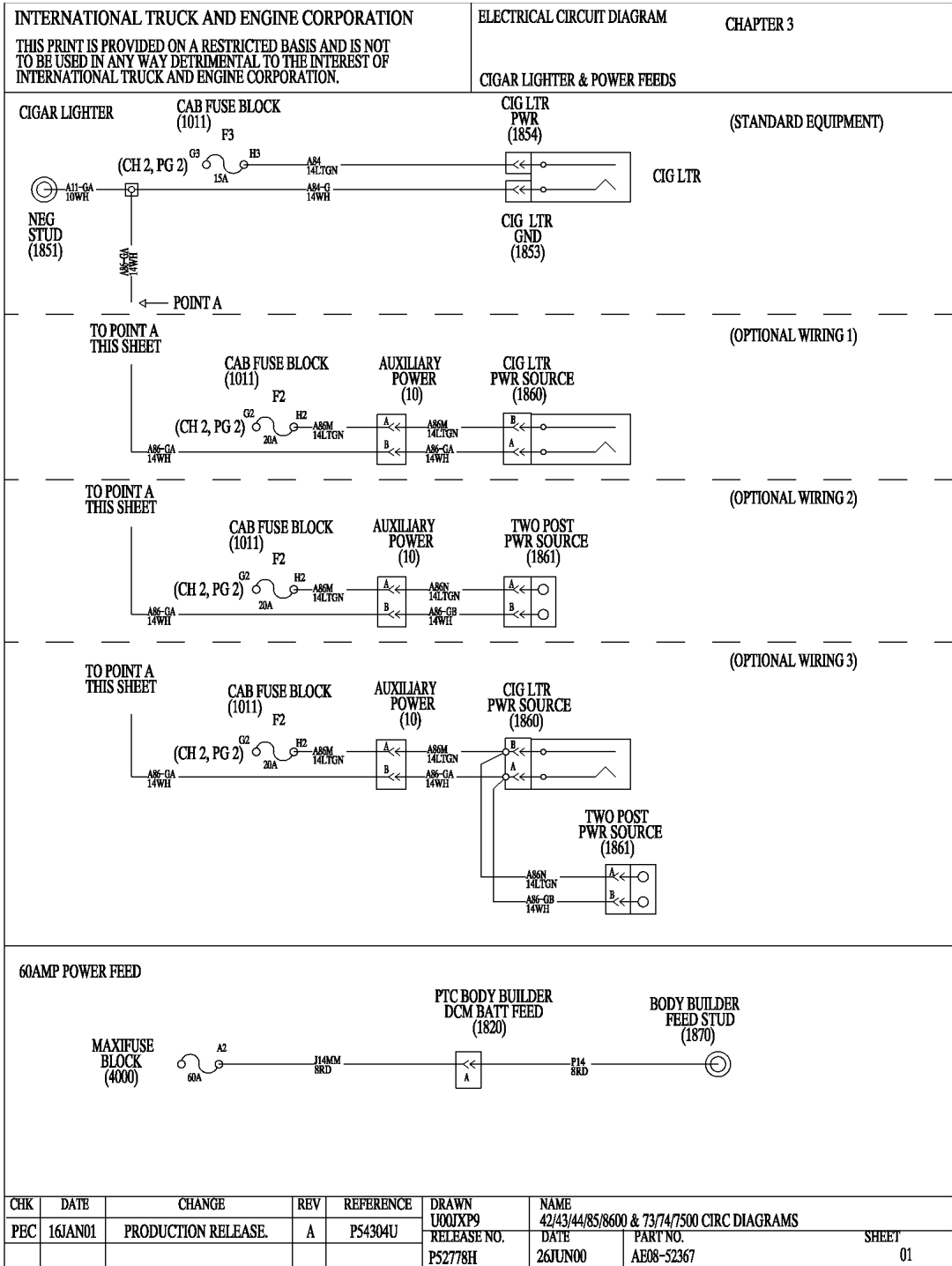


Figure 28 Cigar Lighter and Power Feeds

3.2. CB POWER, P. 2

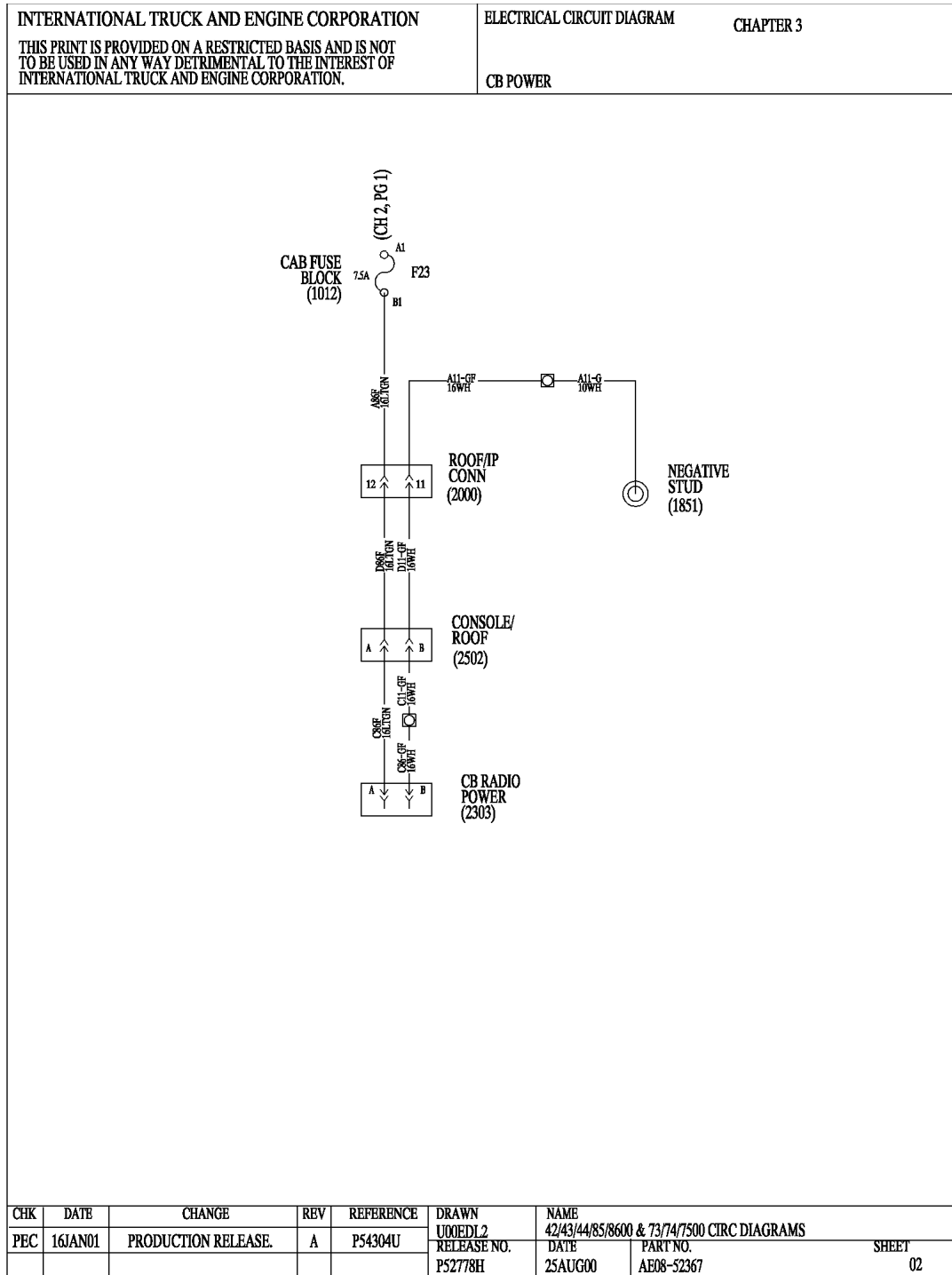


Figure 29 CB Power

3.3. COMPASS AND TEMPERATURE DISPLAY, P. 3

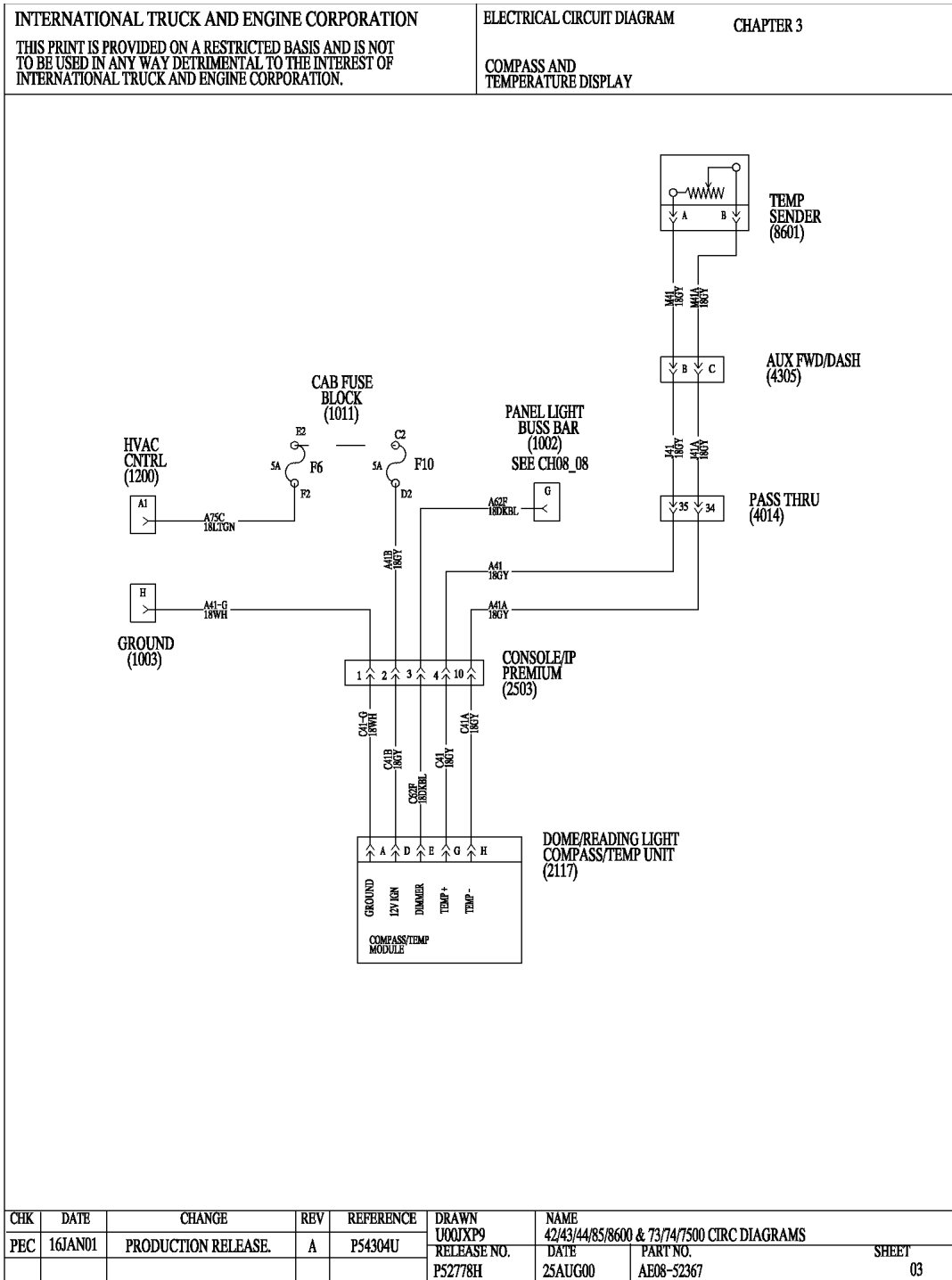


Figure 30 Compass and Temperature Display

3.4. FRONT DOORS WINDOWS AND LOCKS (POWER), P. 4

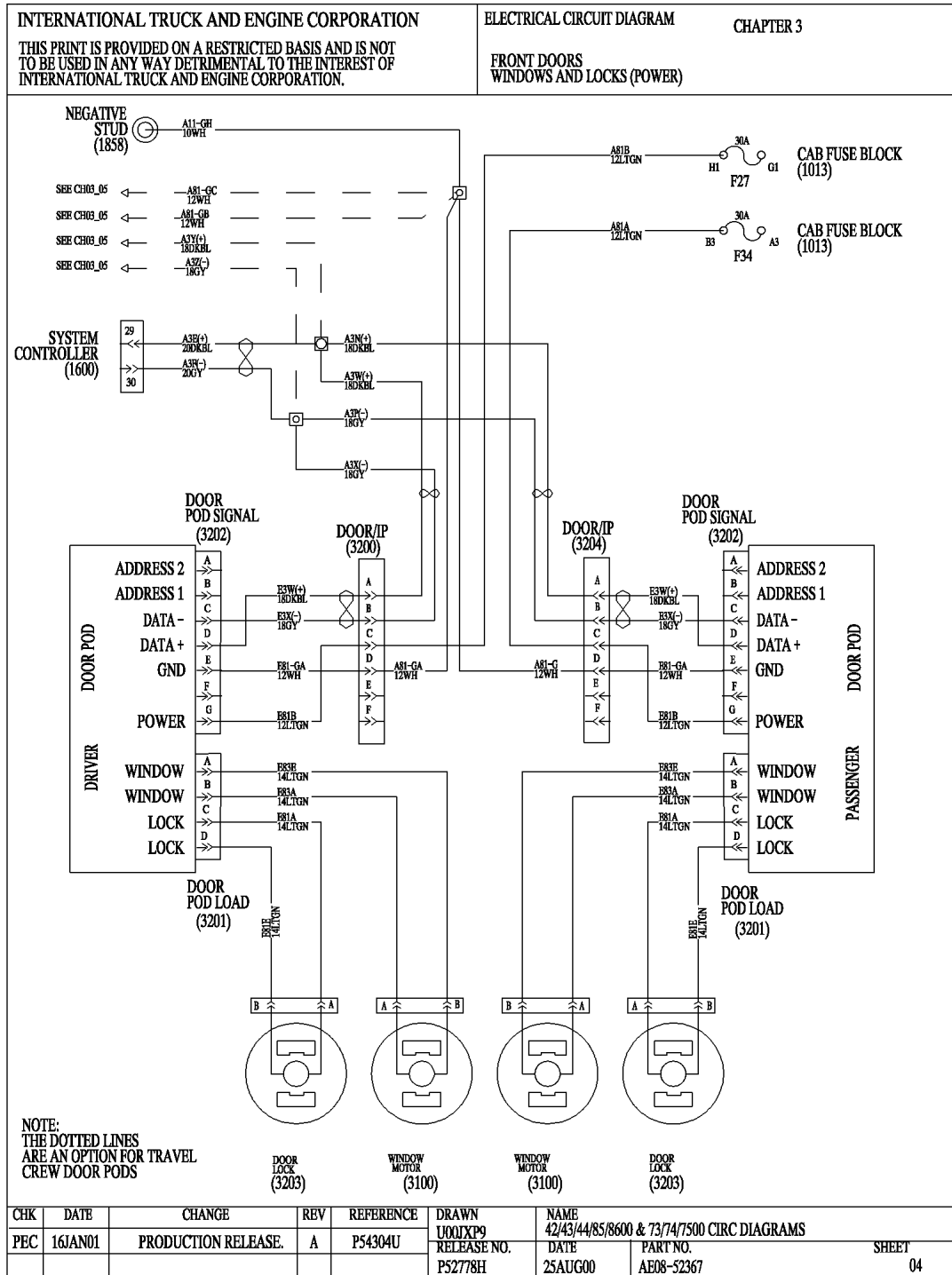


Figure 31 Front Doors Windows and Locks (Power)

3.5. CREW DOORS WINDOWS AND LOCKS (POWER), P. 5

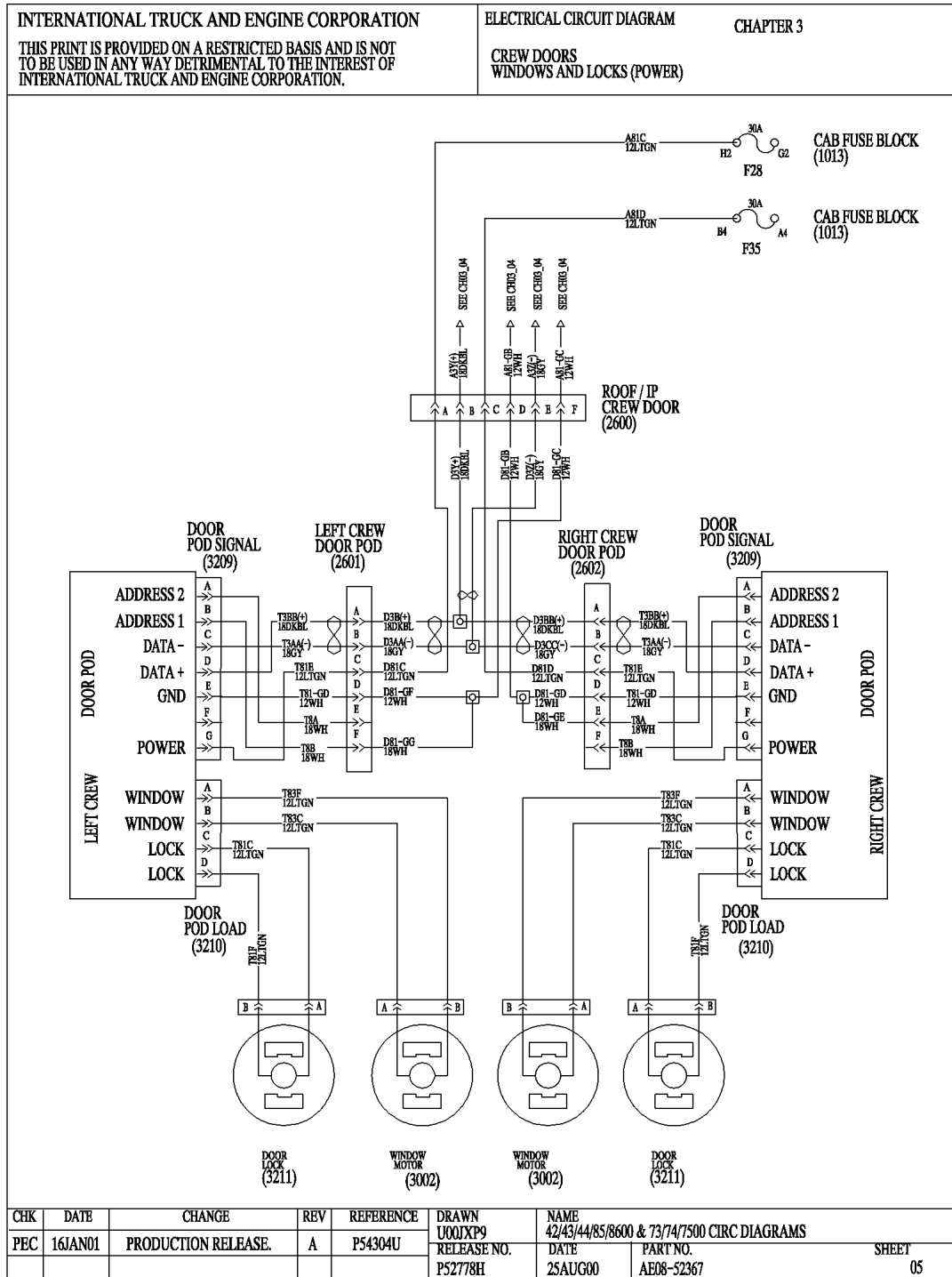


Figure 32 Crew Doors Windows and Locks (Power)

3.6. HORN, DUAL ELECTRIC, P. 6

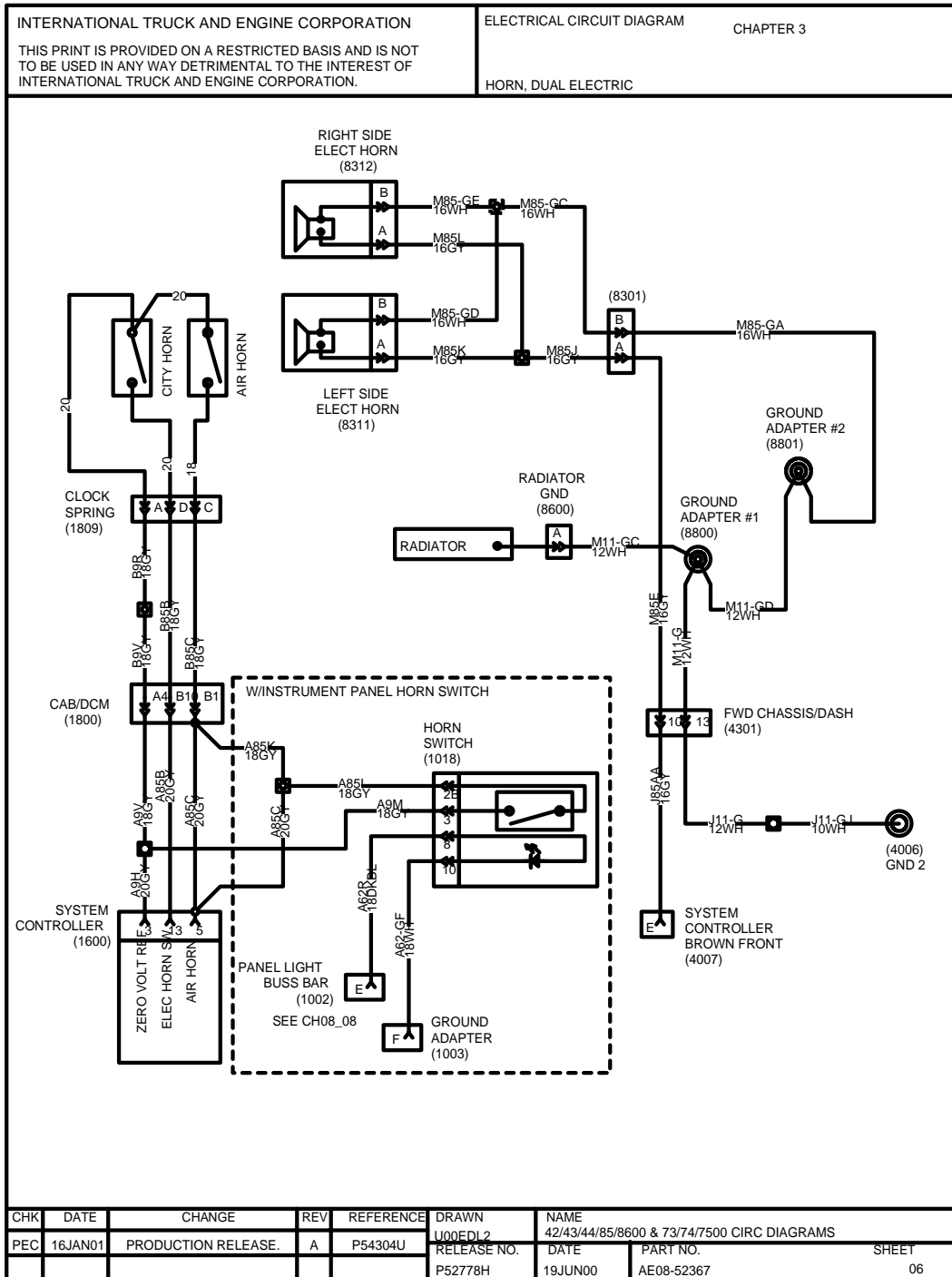


Figure 33 Horn, Dual Electric

3.7. MIRRORS (HEATED, LIGHTED AND POWER), P. 7

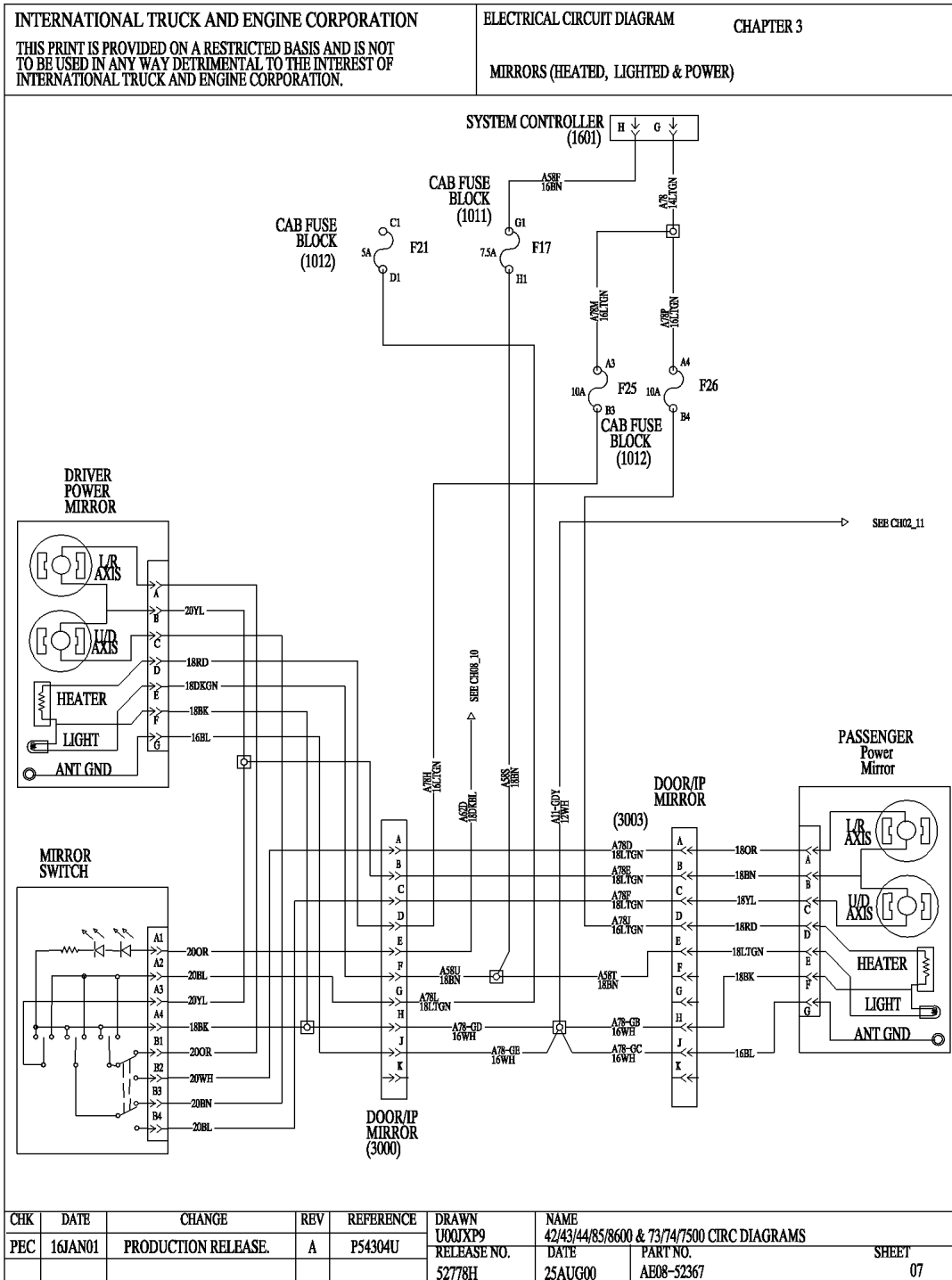


Figure 34 Mirrors (Heated, Lighted and Power)

3.8. RADIO (ENTERTAINMENT), SPEAKERS, P. 8

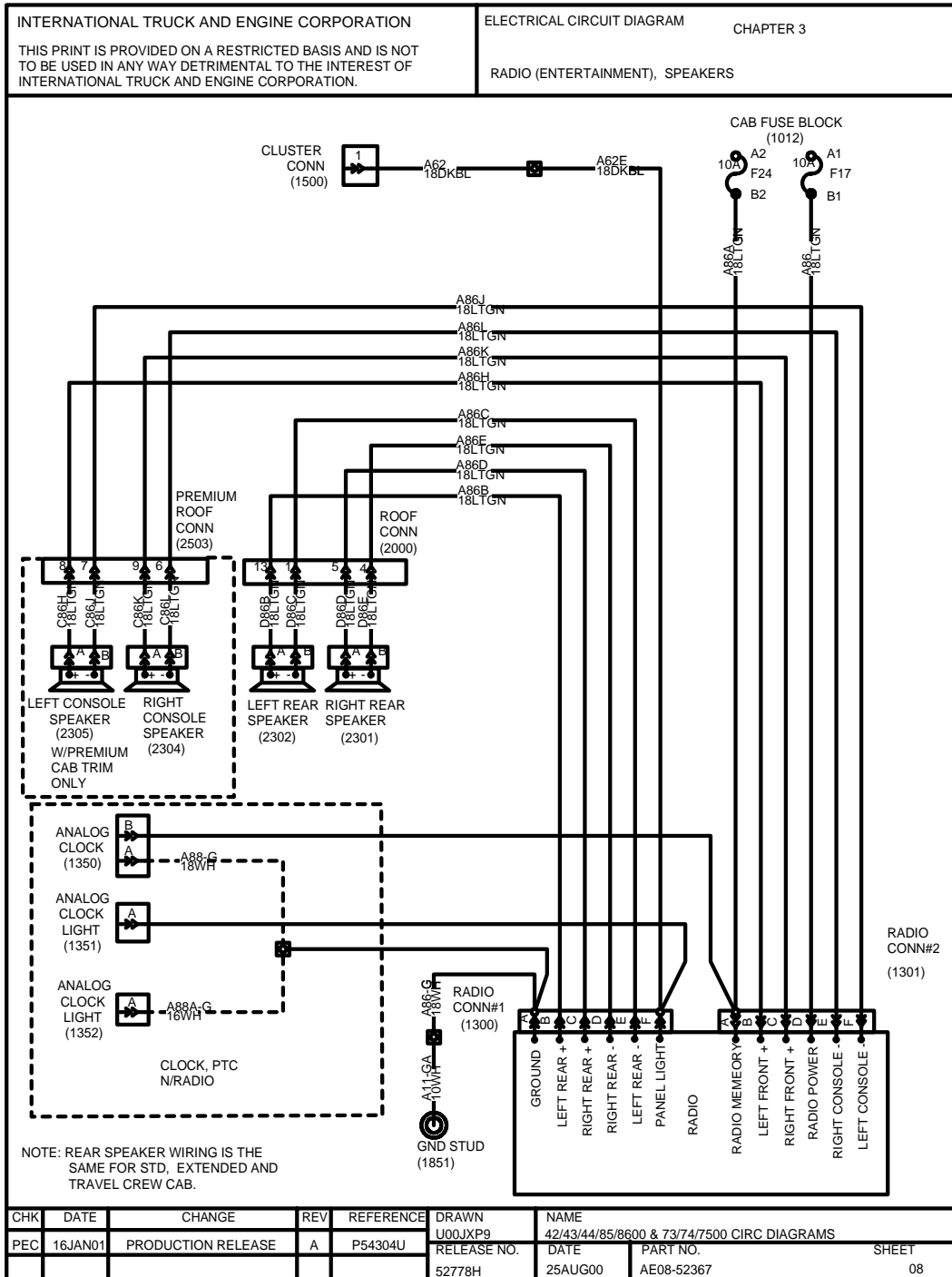


Figure 35 Radio (Entertainment), Speakers

3.9. WINDSHIELD WIPER AND WASHER PUMP, P. 9

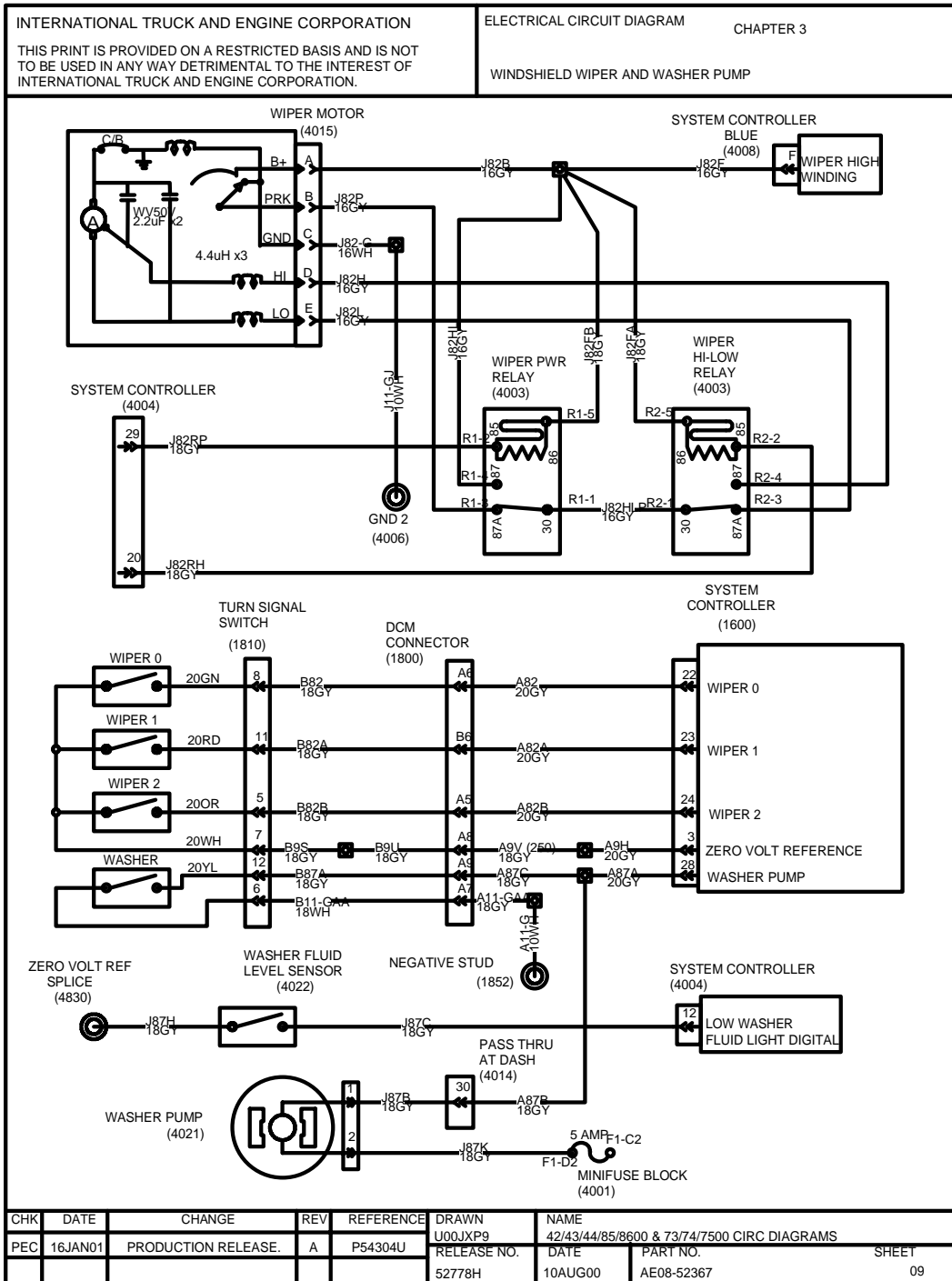


Figure 36 Windshield Wiper and Washer Pump

3.11. SWITCH PACK, OPTIONAL GAUGE PACK, P. 11

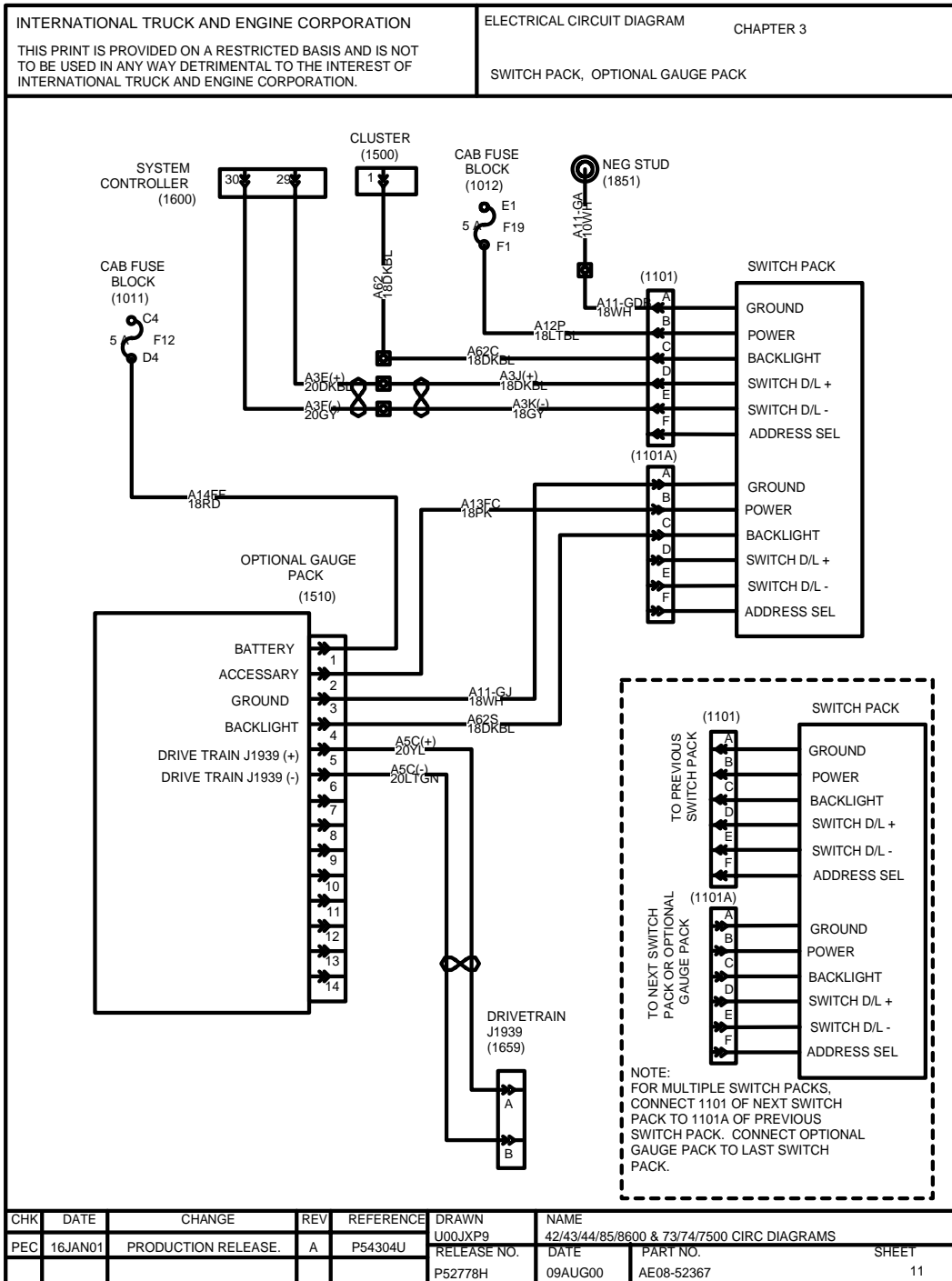


Figure 38 Switch Pack, Optional Gauge Pack

3.12. LIGHTED AIR SHIELD, P. 12

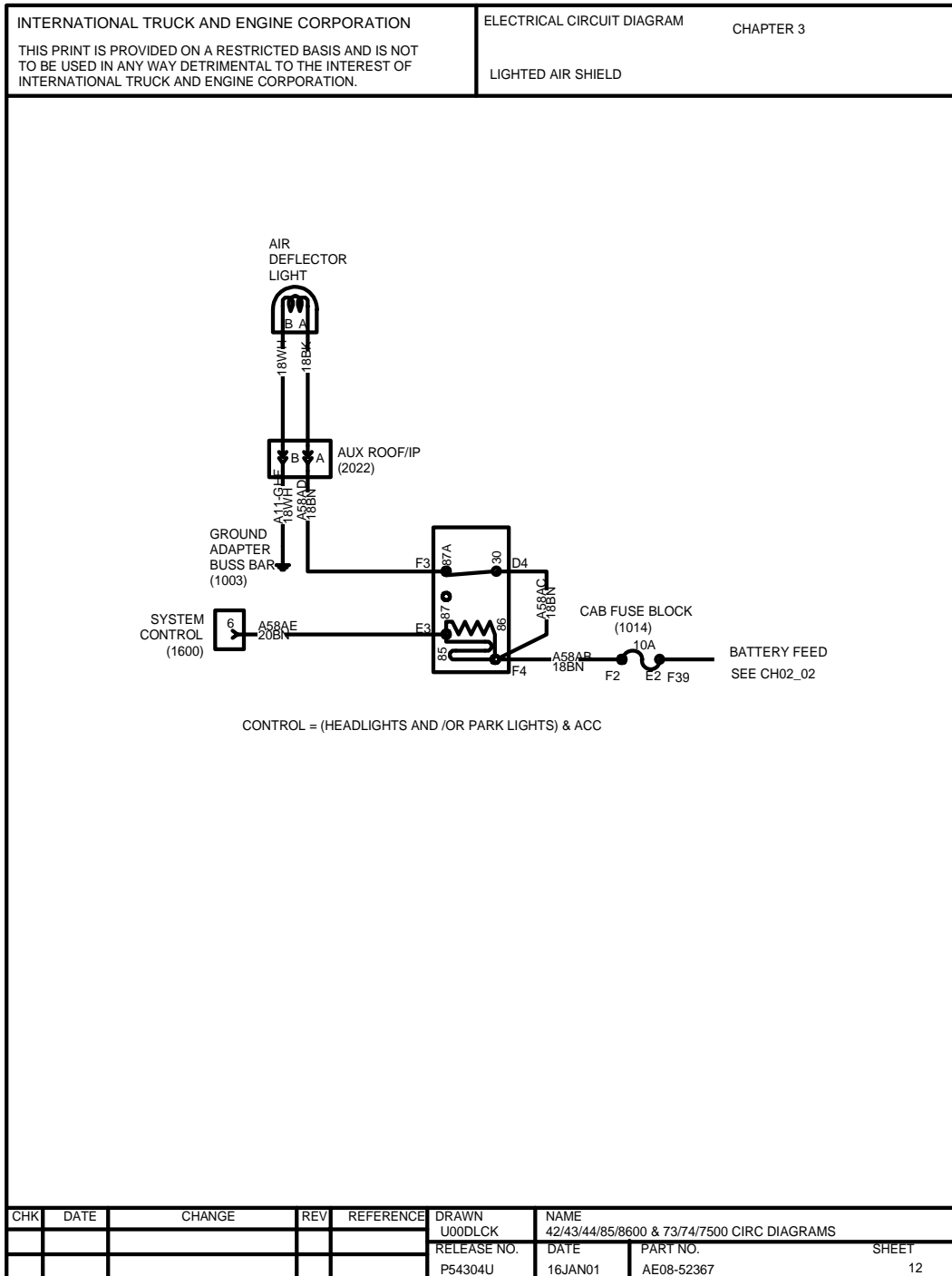


Figure 39 Lighted Air Shield

3.13. ROOF AUX. LOAD, P. 13

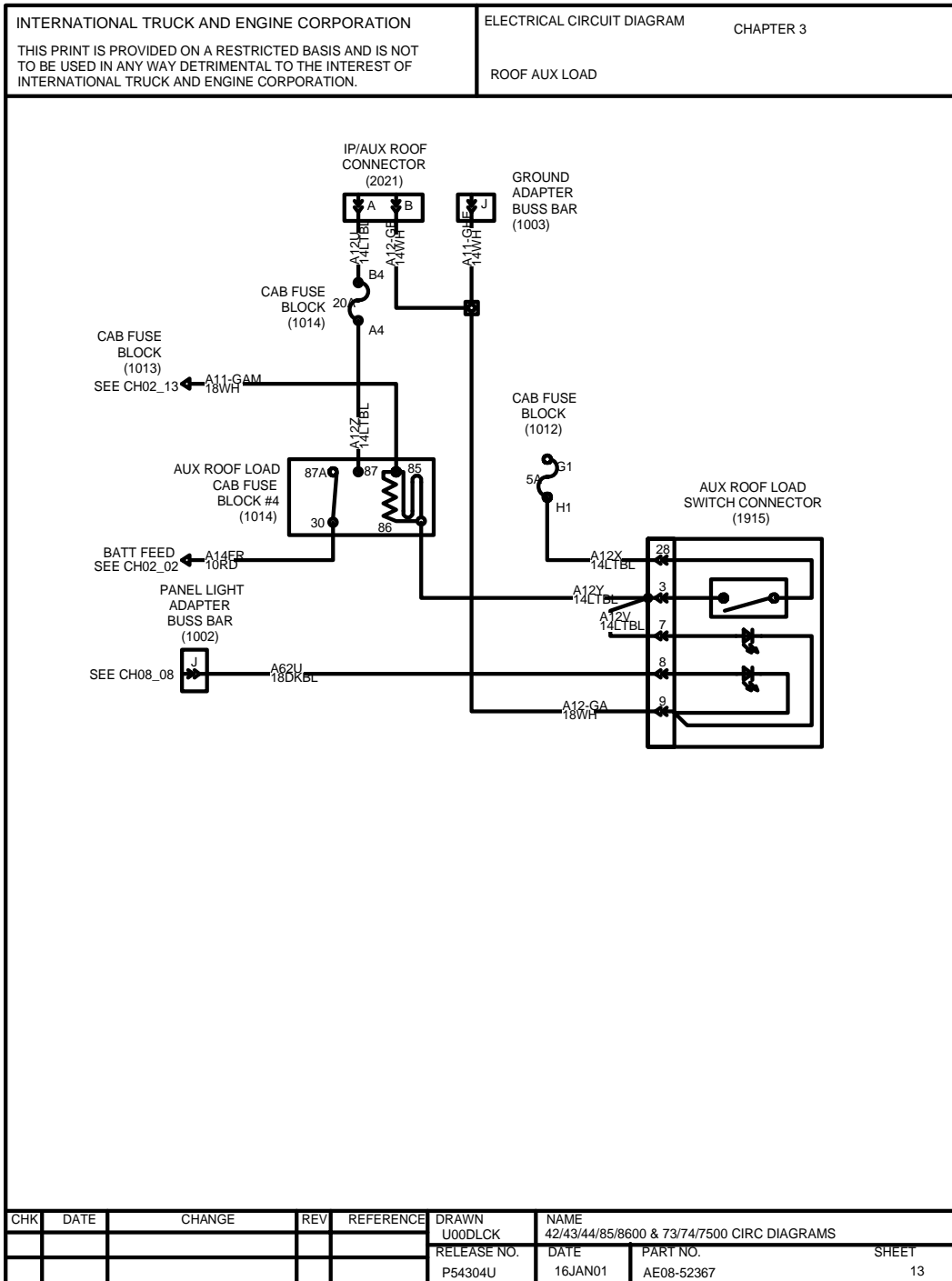


Figure 40 Roof Aux. Load

3.14. SATELLITE COMMUNICATION QUALCOMM-MCT AND IMCT SYSTEMS, P. 14

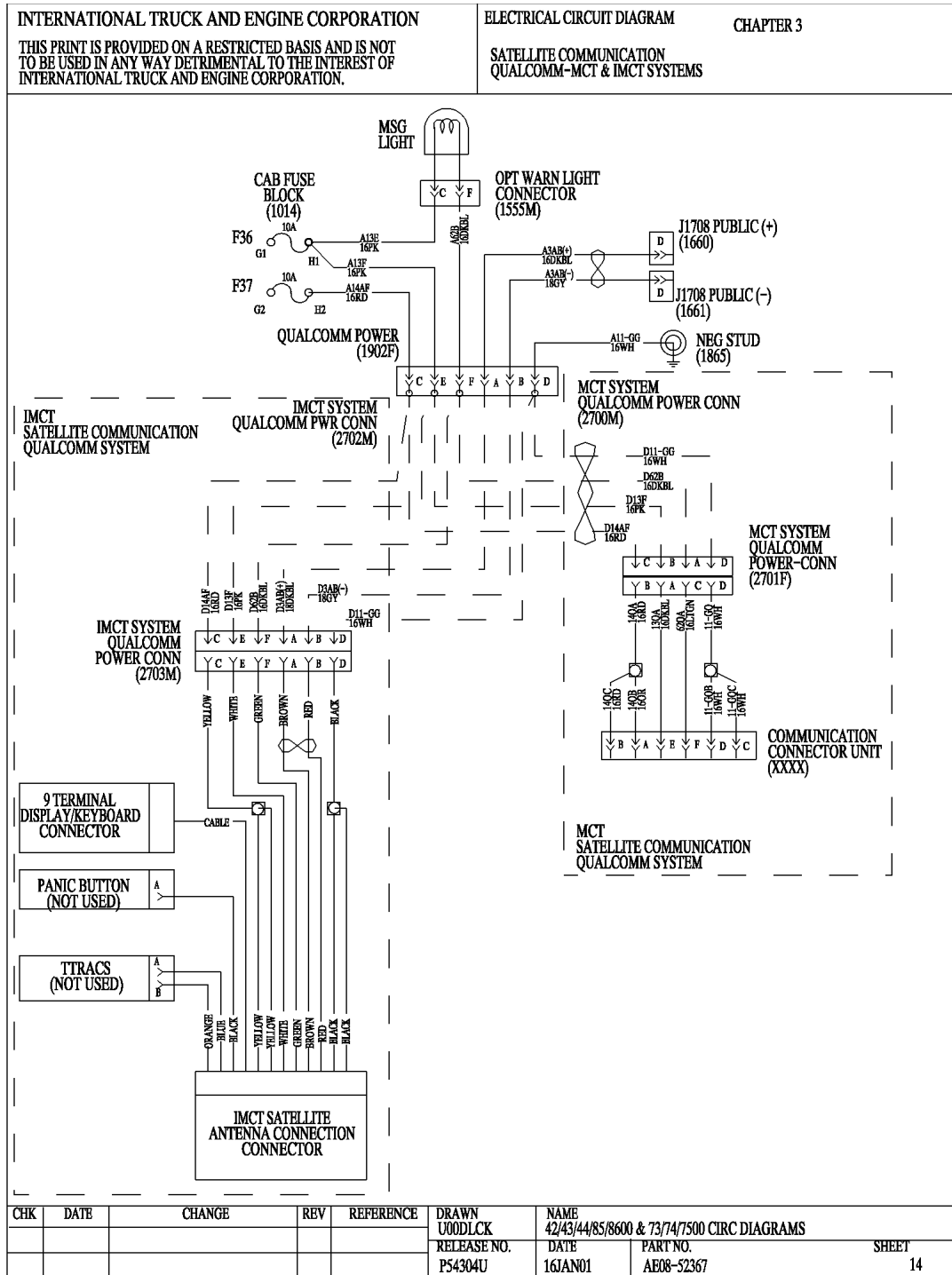


Figure 41 Satellite Communication Qualcomm-MCT and IMCT Systems

4. 12V CHARGING + CRANKING SYSTEM (CHAPTER 4)

4.1. I6 HEUI ENGINES, P. 1

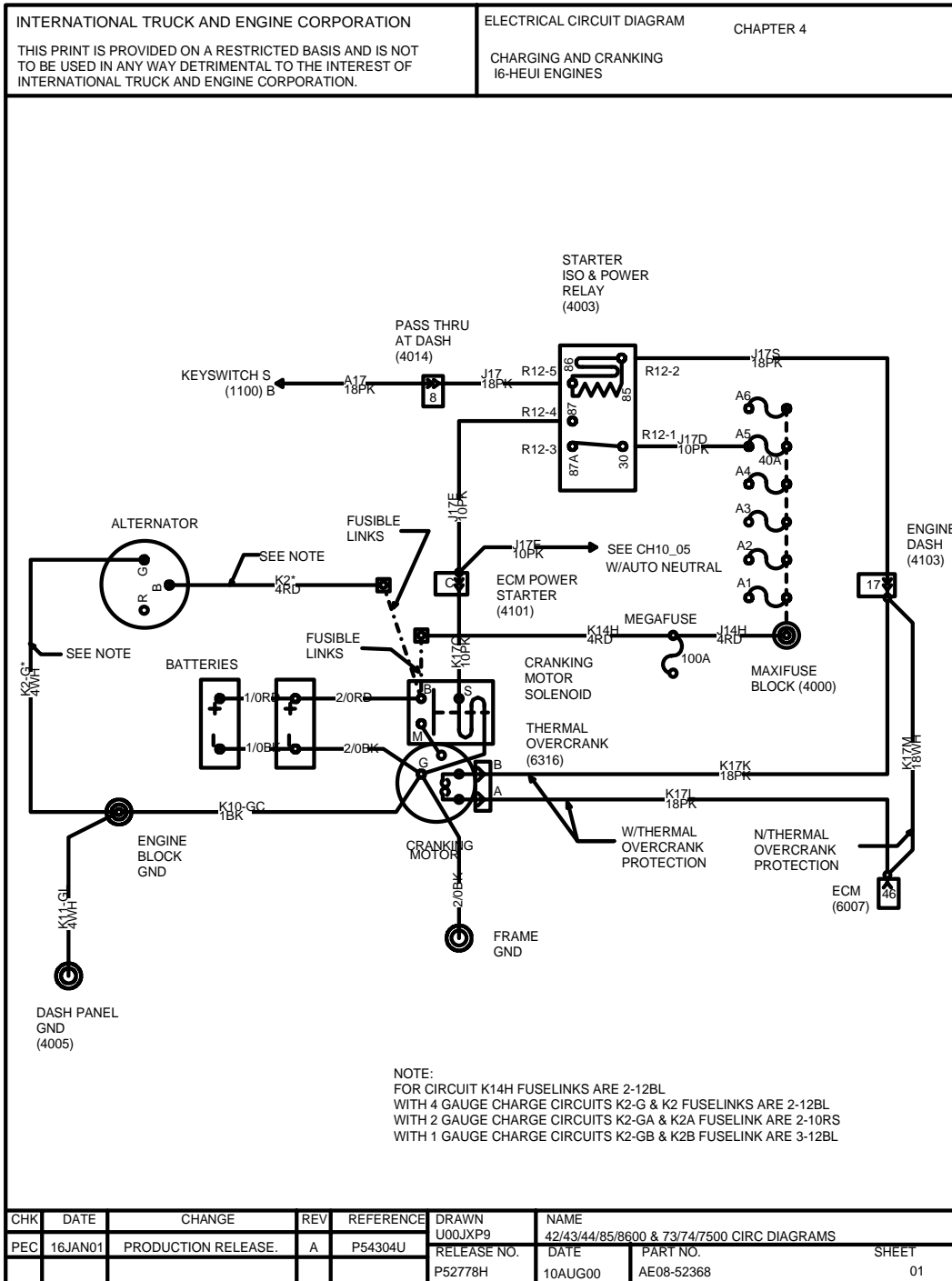


Figure 42 I6 HEUI Engines

4.2. V8 AVNT ENGINES, P. 2

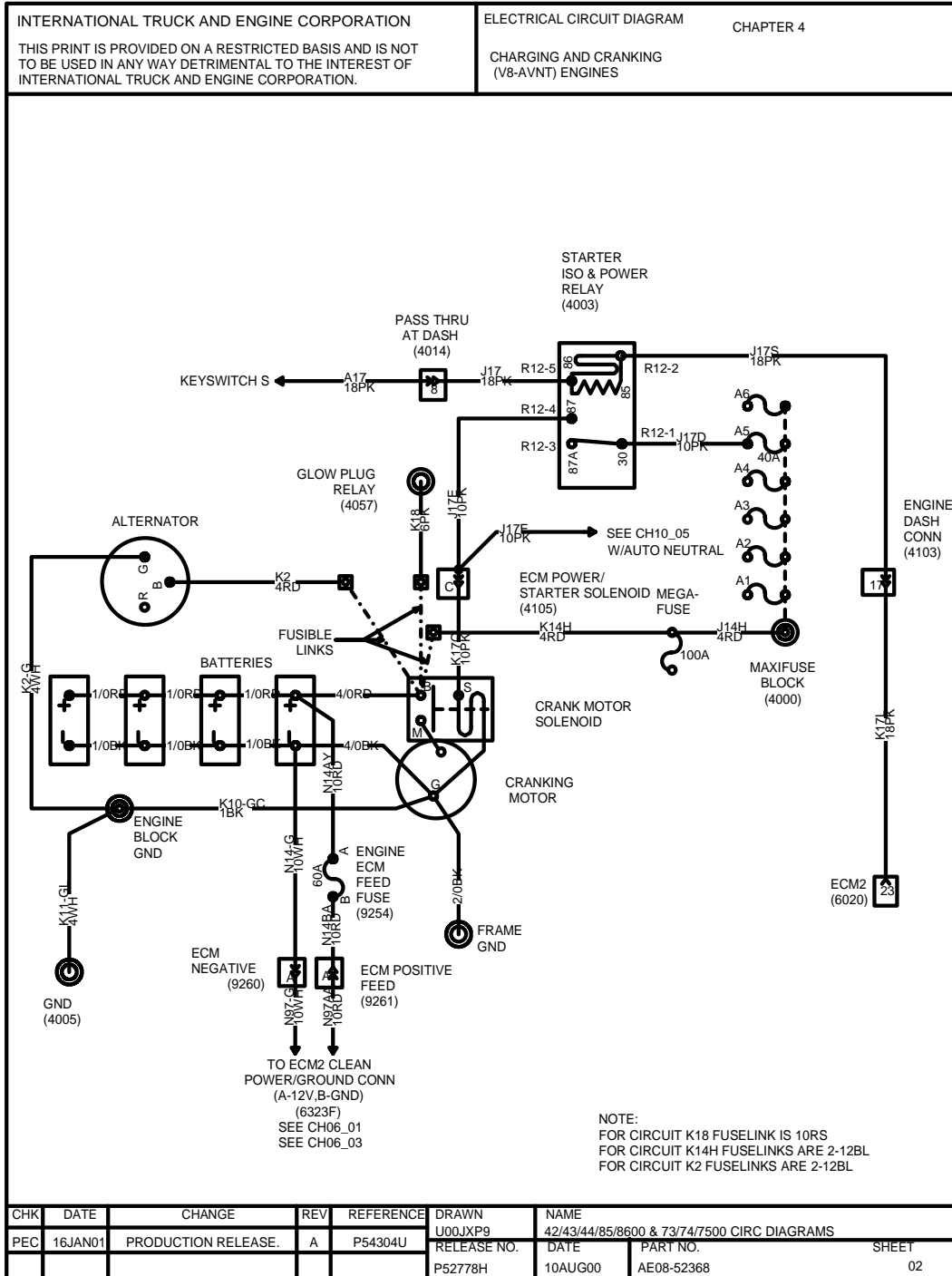


Figure 43 V8 AVNT Engines

5. FANS AND ENGINE ACCESSORIES (CHAPTER 5)

5.1. FAN WIRING, P. 1

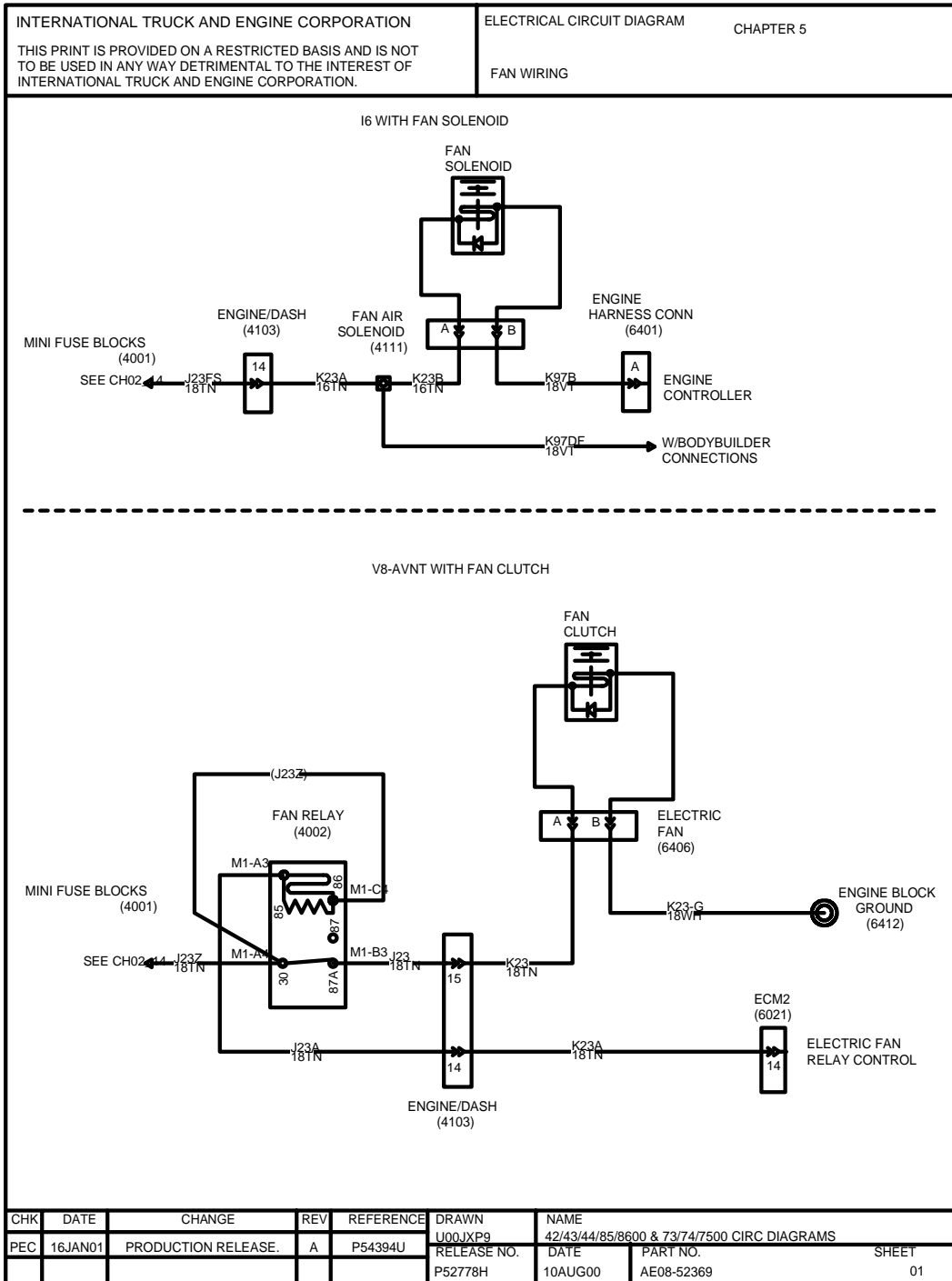


Figure 44 Fan Wiring

5.2. ETHER START, P. 2

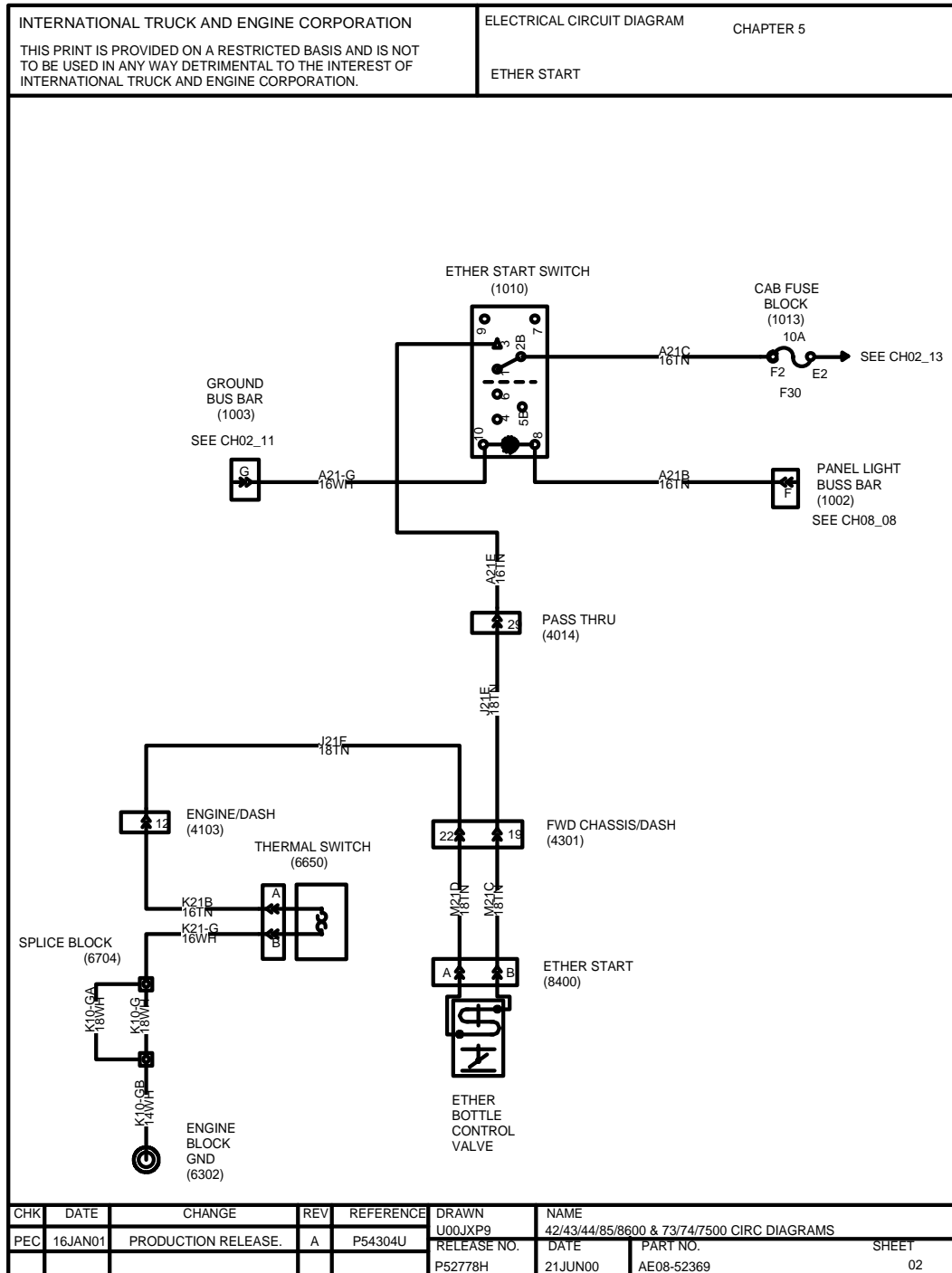


Figure 45 Ether Start

5.3. SNOW VALVE, P. 3

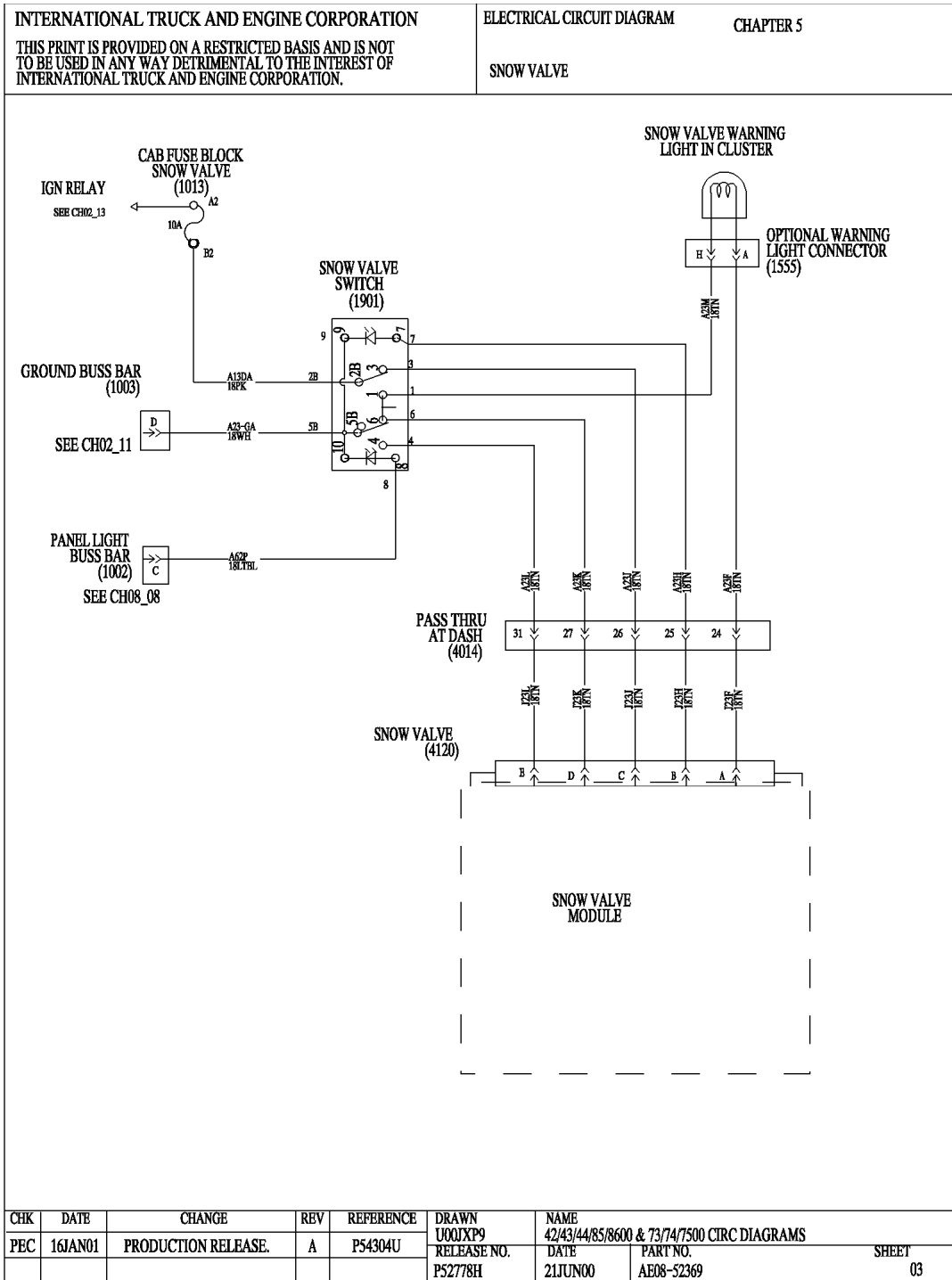


Figure 46 Snow Valve

6. ELECTRONIC ENGINES (CHAPTER 6)

6.1. ELECTRONIC ENGINE CONTROLS, I6-HEUI ENGINES, P. 1

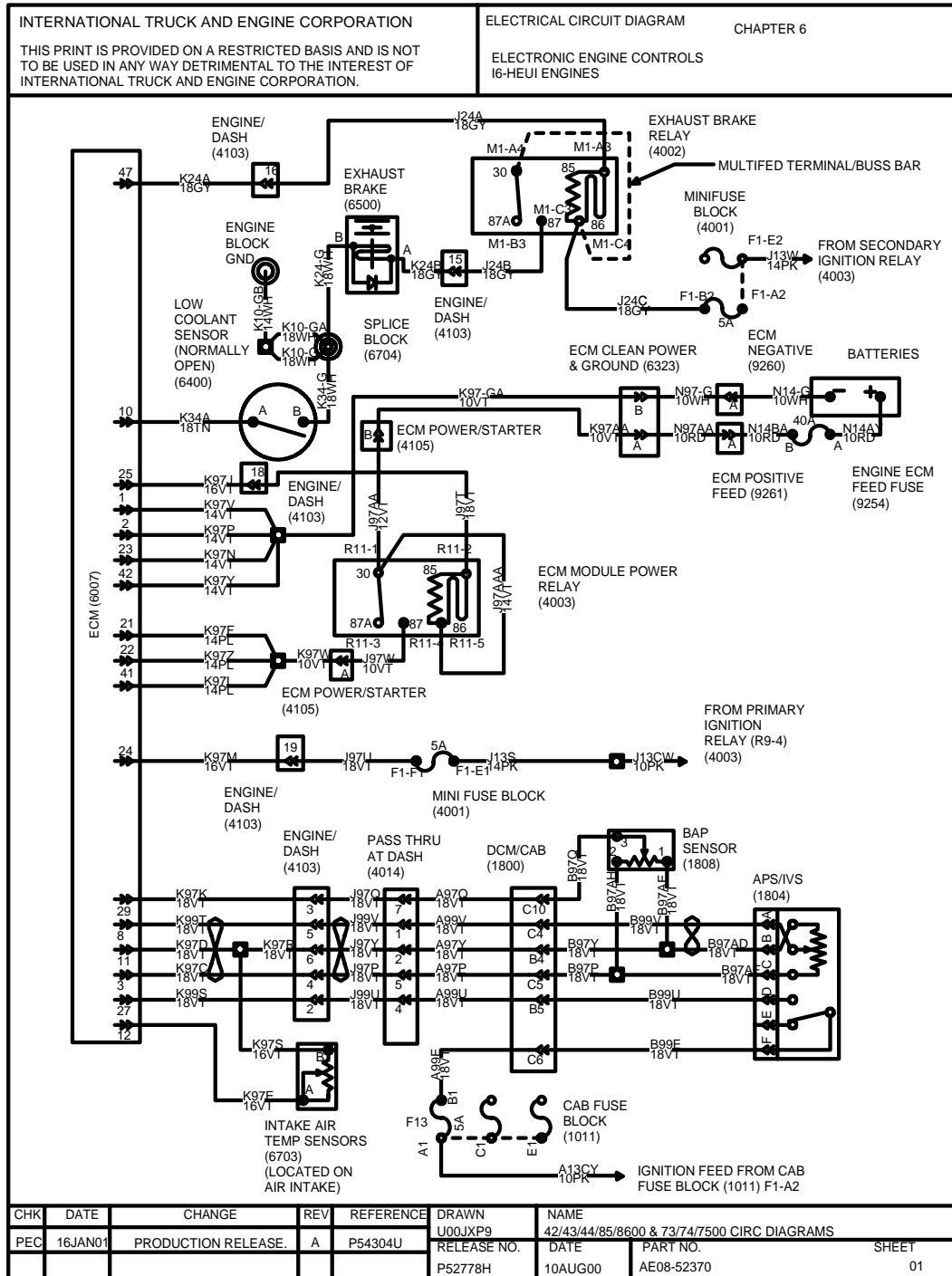


Figure 47 Electronic Engine Controls, I6-HEUI Engines

6.2. ELECTRONIC ENGINE CONTROLS, I6–HEUI ENGINE CRUISE CONTROL AND BODY BUILDER CONNECTIONS, P. 2

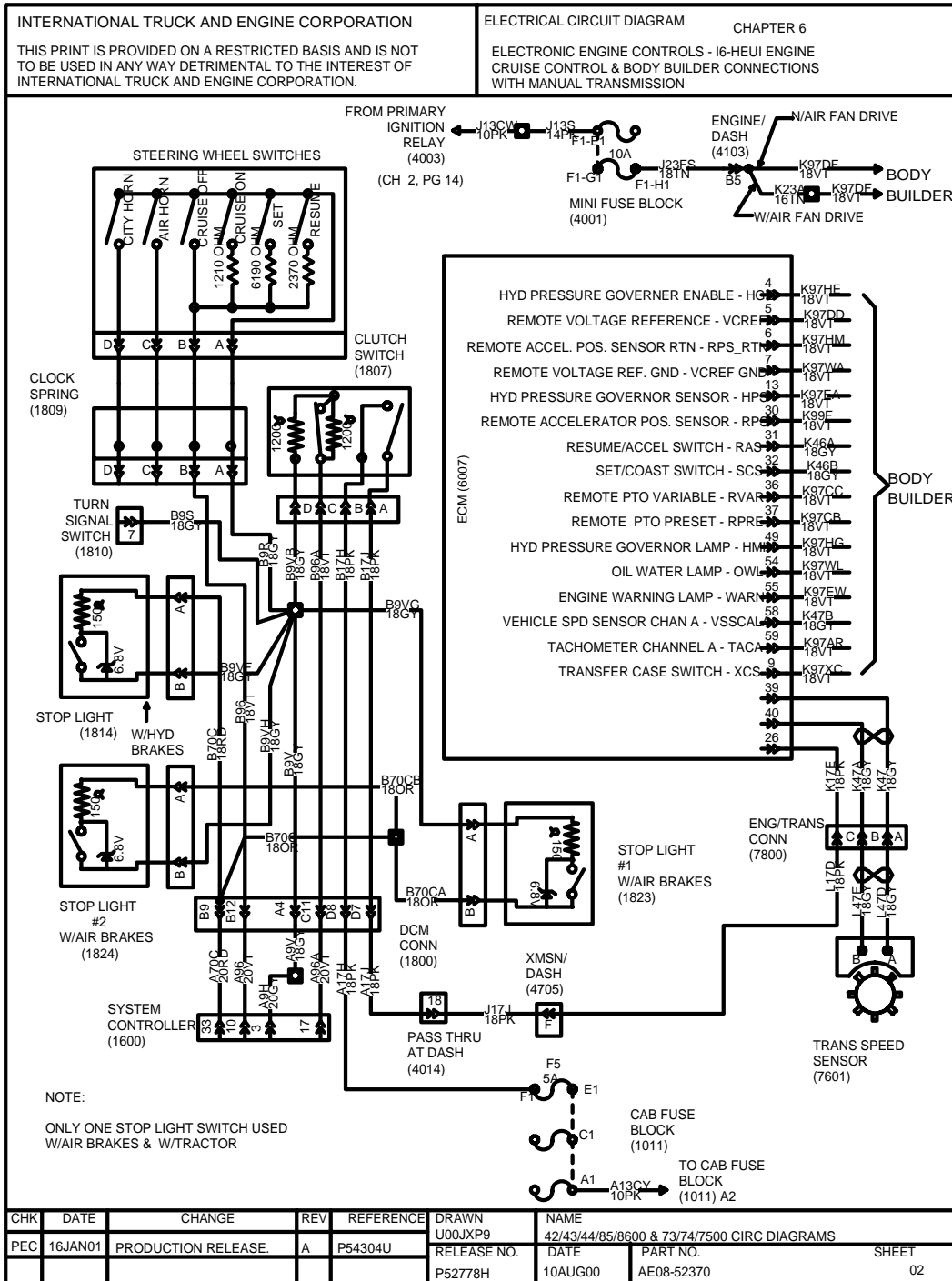


Figure 48 Electronic Engine Controls, I6–HEUI Engine Cruise Control and Body Builder Connections

6.3. ELECTRONIC ENGINE CONTROLS, (V8-AVNT) ENGINES, P. 3

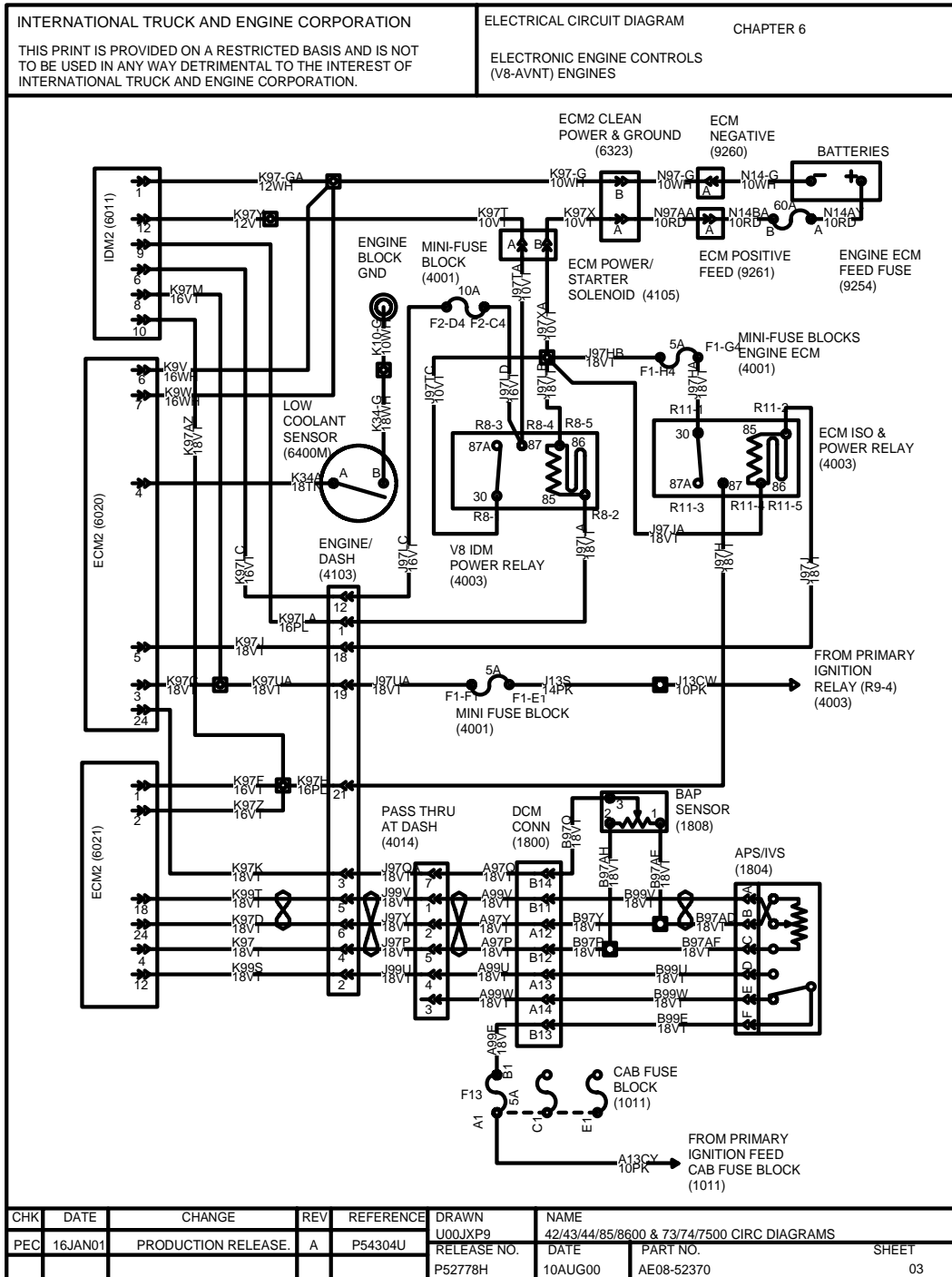


Figure 49 Electronic Engine Controls, (V8-AVNT) Engines

6.4. ELECTRONIC ENGINE CONTROLS, V8-AVNT ENGINE CRUISE CONTROL AND BODY BUILDER CONNECTIONS, P. 4

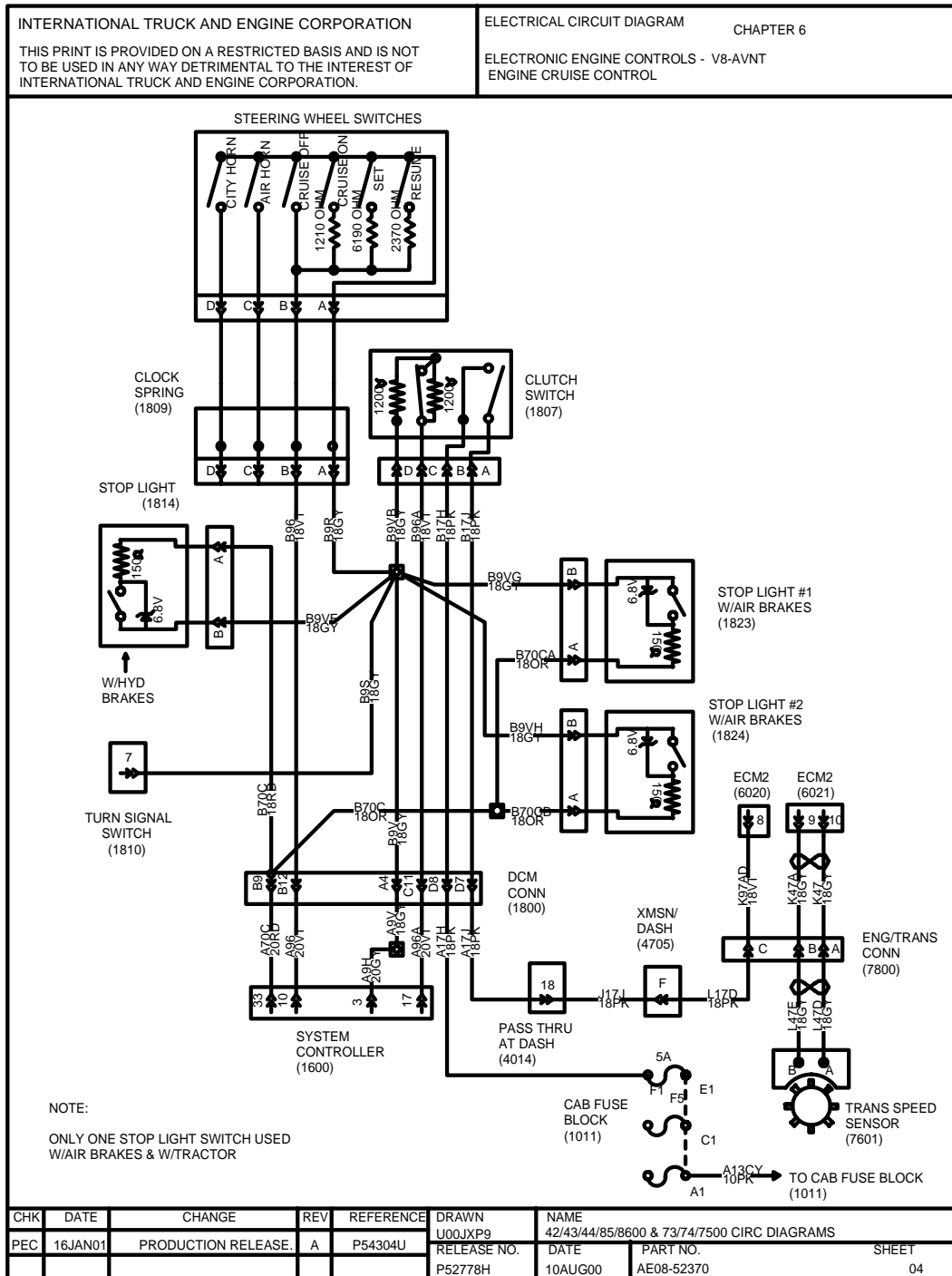


Figure 50 Electronic Engine Controls, V8-AVNT Engine Cruise Control and Body Builder Connections

7.2. WARNING LIGHT LIST, P. 2

INTERNATIONAL TRUCK AND ENGINE CORPORATION THIS PRINT IS PROVIDED ON A RESTRICTED BASIS AND IS NOT TO BE USED IN ANY WAY DETRIMENTAL TO THE INTEREST OF INTERNATIONAL TRUCK AND ENGINE CORPORATION.		ELECTRICAL CIRCUIT DIAGRAM CHAPTER 7 WARNING LIGHTS LIST						
IP WARNING LIGHTS								
WARNING LIGHT TITLE	SIGNAL PATH	SENSOR LOCATION						
RANGE INHIBITED	TRANS CTRLR/DRIVE TRAIN J1939/CLUSTER							
FUEL FILTER	SYSTEM CTRLR/DRIVE TRAIN J1939/CLUSTER	FUEL FILTER						
ENGINE (YELLOW LED)	ENGINE CTRLR/DRIVE TRAIN J1939/CLUSTER							
ENGINE (RED LED)	ENGINE CTRLR/DRIVE TRAIN J1939/CLUSTER							
BRAKE PRESSURE (ⓘ)	SYSTEM CTRLR/DRIVE TRAIN J1939/CLUSTER	SWITCH						
BRAKE FLUID	SYSTEM CTRLR/DRIVE TRAIN J1939/CLUSTER	BRK RESEVOIR						
TRAC CTRL	TRUCK ABS CTRLR/DRIVE TRAIN J1939/CLUSTER							
CHECK TRANS	TRANS CTRLR/DRIVE TRAIN J1939/CLUSTER							
TRAILER ABS	TRLR ABS CTRLR/DRIVE TRAIN J1939/CLUSTER							
WASHER FLUID	SYSTEM CTRLR/DRIVE TRAIN J1939/CLUSTER	WASHER BOTTLE						
(LEFT TURN)	SYSTEM CTRLR/DRIVE TRAIN J1939/CLUSTER	TURN SIG SW						
AIR BAG	DISCRETE NOT ON DATA BUS							
WATER IN FUEL	SYSTEM CTRLR/DRIVE TRAIN J1939/CLUSTER	FUEL FILTER						
COOLANT LEVEL	ENGINE CTRLR/DRIVE TRAIN J1939/CLUSTER	SURGE TANK						
CHECK ELECT SYS	SYSTEM CTRLR/DRIVE TRAIN J1939/CLUSTER							
PARK (Ⓟ)	SYSTEM CTRLR/DRIVE TRAIN J1939/CLUSTER	SWITCH						
CRUISE	SYSTEM CTRLR/DRIVE TRAIN J1939/CLUSTER							
ABS	TRUCK CTRLR/DRIVE TRAIN J1939/CLUSTER							
(RIGHT TURN)	SYSTEM CTRLR/DRIVE TRAIN J1939/CLUSTER							
WAIT TO START	ENGINE CTRLR/DRIVE TRAIN J1939/CLUSTER							
FASTEN BELTS	SYSTEM CTRLR/DRIVE TRAIN J1939/CLUSTER							
(HIGH BEAM IND)	SYSTEM CTRLR/DRIVE TRAIN J1939/CLUSTER							
COLD AMB PROTEC	SYSTEM CTRLR/DRIVE TRAIN J1939/CLUSTER							
RETARD OVERHEAT	TRANS CTRLR/DRIVE TRAIN J1939/CLUSTER	TRANSMISSION						
CHECK AC	SYSTEM CTRLR/DRIVE TRAIN J1939/CLUSTER							
AUTO NEUTRAL	DISCRETE NOT ON DATA BUS	SWITCH						
ALTERNATOR	DISCRETE NOT ON DATA BUS							
PTO/THROTTLE	SYSTEM CTRLR/DRIVE TRAIN J1939/CLUSTER							
OPTIMIZED IDLE	DISCRETE NOT ON DATA BUS							
SNOW VALVE	DISCRETE NOT ON DATA BUS	SNOW VALVE						
FR AXLE DIFF LOCK	DISCRETE NOT ON DATA BUS	FWD RR AXLE						
RR AXLE DIFF LOCK	DISCRETE NOT ON DATA BUS	RR RR AXLE						
MESSAGE WAIT	DISCRETE NOT ON DATA BUS							
PTO	DISCRETE NOT ON DATA BUS							
CONVERTER TEMP	DISCRETE NOT ON DATA BUS							
TOUCHLOC RELEASE	DISCRETE NOT ON DATA BUS							
PARK FLUID	SYSTEM CTRLR/DRIVE TRAIN							
CHK	DATE	CHANGE	REV	REFERENCE	DRAWN	NAME		
PEC	16JAN01	PRODUCTION RELEASE.	A	P54304U	U00JXP9	42/43/44/85/8600 & 73/74/7500 CIRC DIAGRAMS		
					RELEASE NO.	DATE	PART NO.	SHEET
					P52778H	09AUG00	AE08-52371	02

Figure 52 Warning Light List

7.3. WARNING LIGHTS CONTROLLED BY ENGINE, TRANSMISSION, ABS CONTROLLER, P. 3

INTERNATIONAL TRUCK AND ENGINE CORPORATION		ELECTRICAL CIRCUIT DIAGRAM		CHAPTER 7		
THIS PRINT IS PROVIDED ON A RESTRICTED BASIS AND IS NOT TO BE USED IN ANY WAY DETRIMENTAL TO THE INTEREST OF INTERNATIONAL TRUCK AND ENGINE CORPORATION.		WARNING LIGHTS CONTROLLED BY ENGINE, TRANSMISSION, ABS CONTROLLER				
<p>THE FOLLOWING WARNING LIGHTS ARE CONTROLLED BY THE ENGINE, TRANSMISSION, OR ABS CONTROLLER OVER THE DATA BUS AND DO NOT HAVE INDEPENDENT CIRCUITRY THAT CAN BE OR NEEDS TO BE SHOWN:</p> <p>RANGE INHIBIT</p> <p>ENGINE (YELLOW LED)</p> <p>ENGINE (RED LED)</p> <p>TRAC CTRL</p> <p>CHECK TRANS</p> <p>TRAILER ABS</p> <p>CHECK ELECTR SYS</p> <p>ABS</p> <p>WAIT TO START</p> <p>RETARD OVERHEAT</p> <p>AUTO NEUTRAL (NOT ON DATA BUS TO CLUSTER)</p> <p>OPTIMIZED IDLE (NOT ON DATA BUS TO CLUSTER)</p>						
CHK	DATE	CHANGE	REV	REFERENCE	DRAWN	NAME
PEC	16JAN01	PRODUCTION RELEASE.	A	P54304U	U00JXP9	42/43/44/85/8600 & 73/74/7500 CIRC DIAGRAMS
					RELEASE NO.	DATE
					P52778H	20JUN00
						PART NO.
						AE08-52371
						SHEET
						03

Figure 53 Warning Lights Controlled by Engine, Transmission, ABS Controller

7.4. ENGINE OIL PRESSURE AND TEMP, SPEEDOMETER, TACH, VOLTMETER AND WATER TEMP GAUGE CIRCUITS, P. 4

INTERNATIONAL TRUCK AND ENGINE CORPORATION				ELECTRICAL CIRCUIT DIAGRAM				CHAPTER 7			
THIS PRINT IS PROVIDED ON A RESTRICTED BASIS AND IS NOT TO BE USED IN ANY WAY DETRIMENTAL TO THE INTEREST OF INTERNATIONAL TRUCK AND ENGINE CORPORATION.				ENG OIL PRESS & TEMP, SPEEDOMETER, TACH, VOLTMETER & WATER TEMP GAUGE CIRCUITS							
<p>REFER TO CONSOLIDATED ENGINE/VEHICLE CONTROLLER DIAGNOSTICS MANUAL EGES-175 (DT466), EGES-190 (V8-AVNT), FOR CIRCUIT DIAGRAMS SHOWING INPUT CIRCUITRY FOR THE FOLLOWING DATALINK DRIVEN SYSTEM:</p> <p>ENGINE OIL PRESSURE GAUGE</p> <p>ENGINE OIL TEMPERATURE GAUGE</p> <p>SPEEDOMETER GAUGE</p> <p>TACHOMETER GAUGE</p> <p>WATER TEMPERATURE GAUGE</p>											
CHK	DATE	CHANGE	REV	REFERENCE	DRAWN	NAME					
PEC	16JAN01	PRODUCTION RELEASE.	A	P54304U	U00JXP9	42/43/44/85/8600 & 73/74/7500 CIRC DIAGRAMS					
					RELEASE NO.	DATE	PART NO.	SHEET			
					P52778H	20JUN00	AE08-52371	04			

Figure 54 Engine Oil Pressure and Temp, Speedometer, Tach, Voltmeter and Water Temp Gauge Circuits

7.5. IP/GAUGES AND WARNING LIGHTS — GAUGE CLUSTER, P. 5

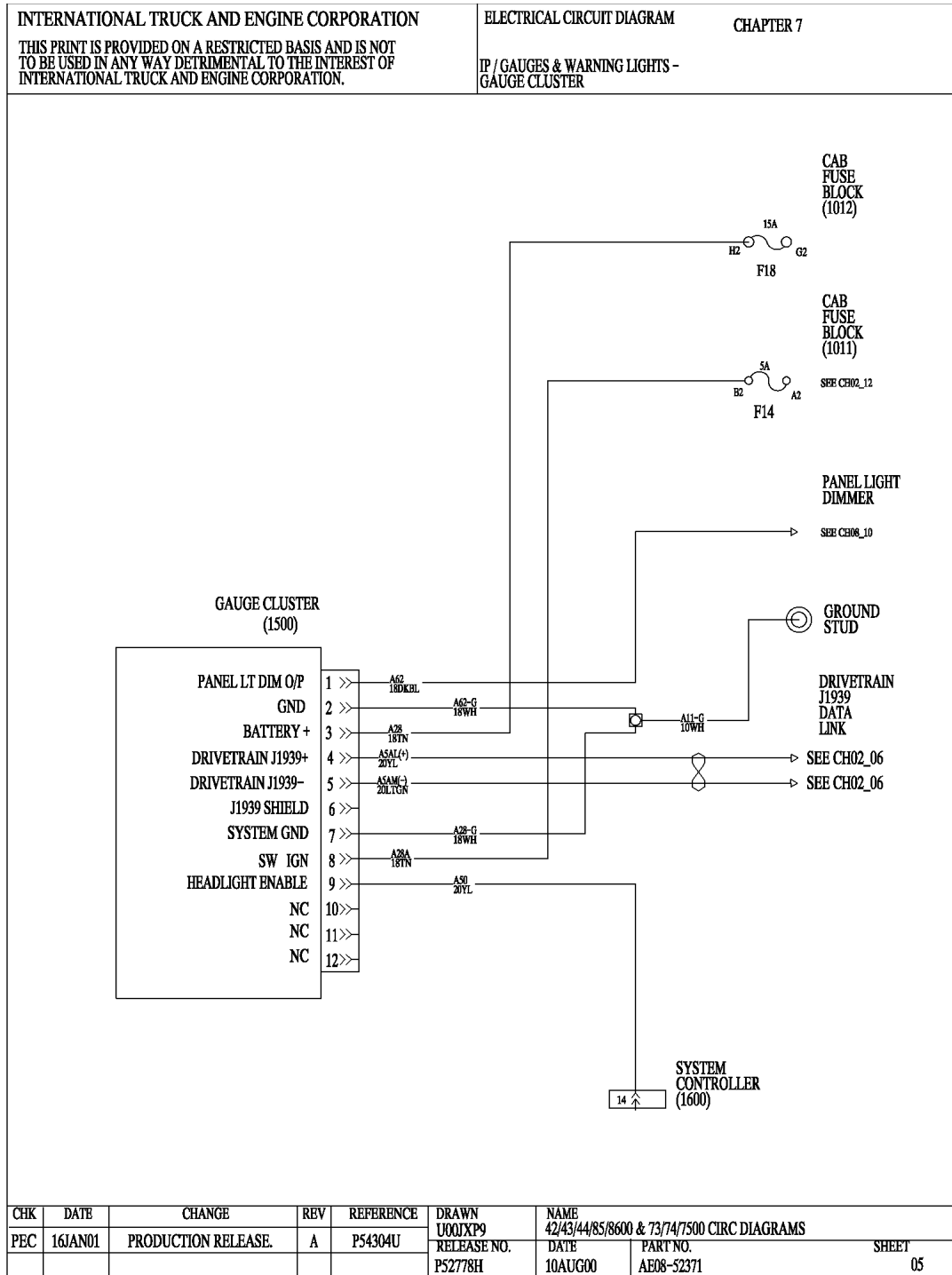


Figure 55 IP/Gauges and Warning Lights — Gauge Cluster

7.6. AIR PRESSURE INPUT CIRCUIT, P. 6

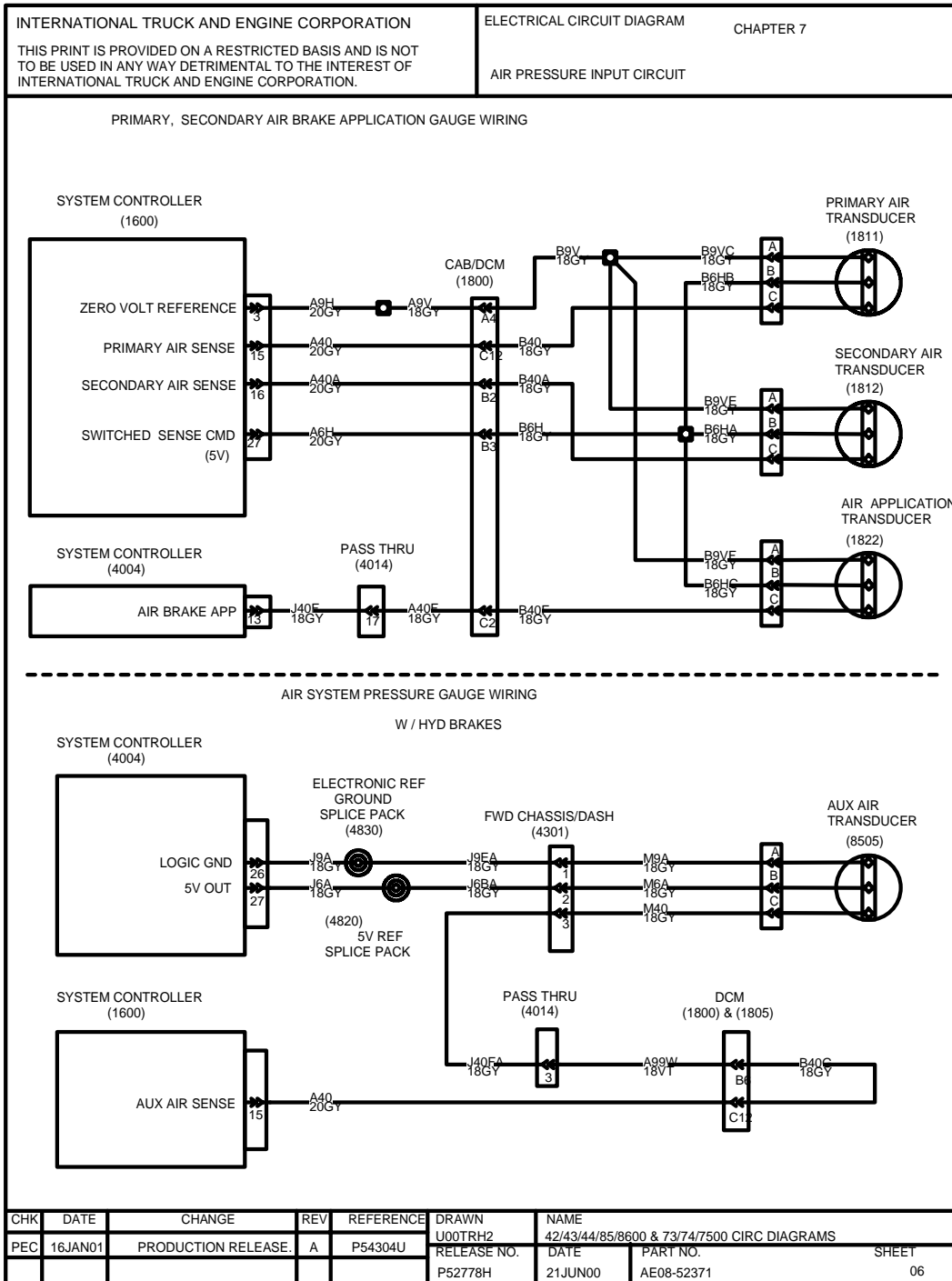


Figure 56 Air Pressure Input Circuit

7.7. AXLE TEMPERATURE, FWD REAR AND REAR AXLES, GAUGE INPUT CIRCUIT, P. 7

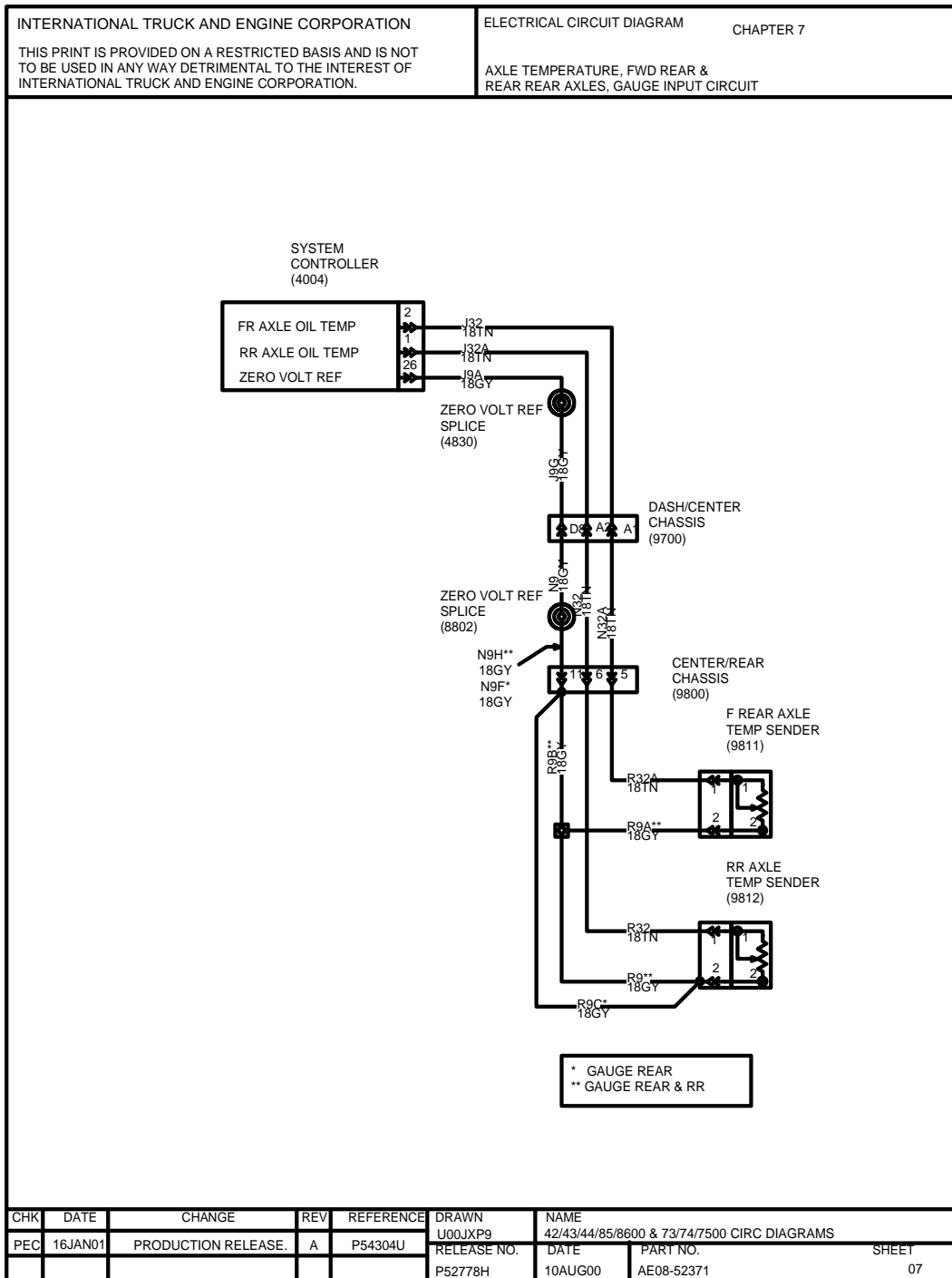


Figure 57 Axle Temperature, FWD Rear and Rear Axles, Gauge Input Circuit

7.8. FUEL GAUGE INPUT CIRCUIT (SINGLE TANK) DIFFERENTIAL LOCK WARNING LAMPS, P. 8

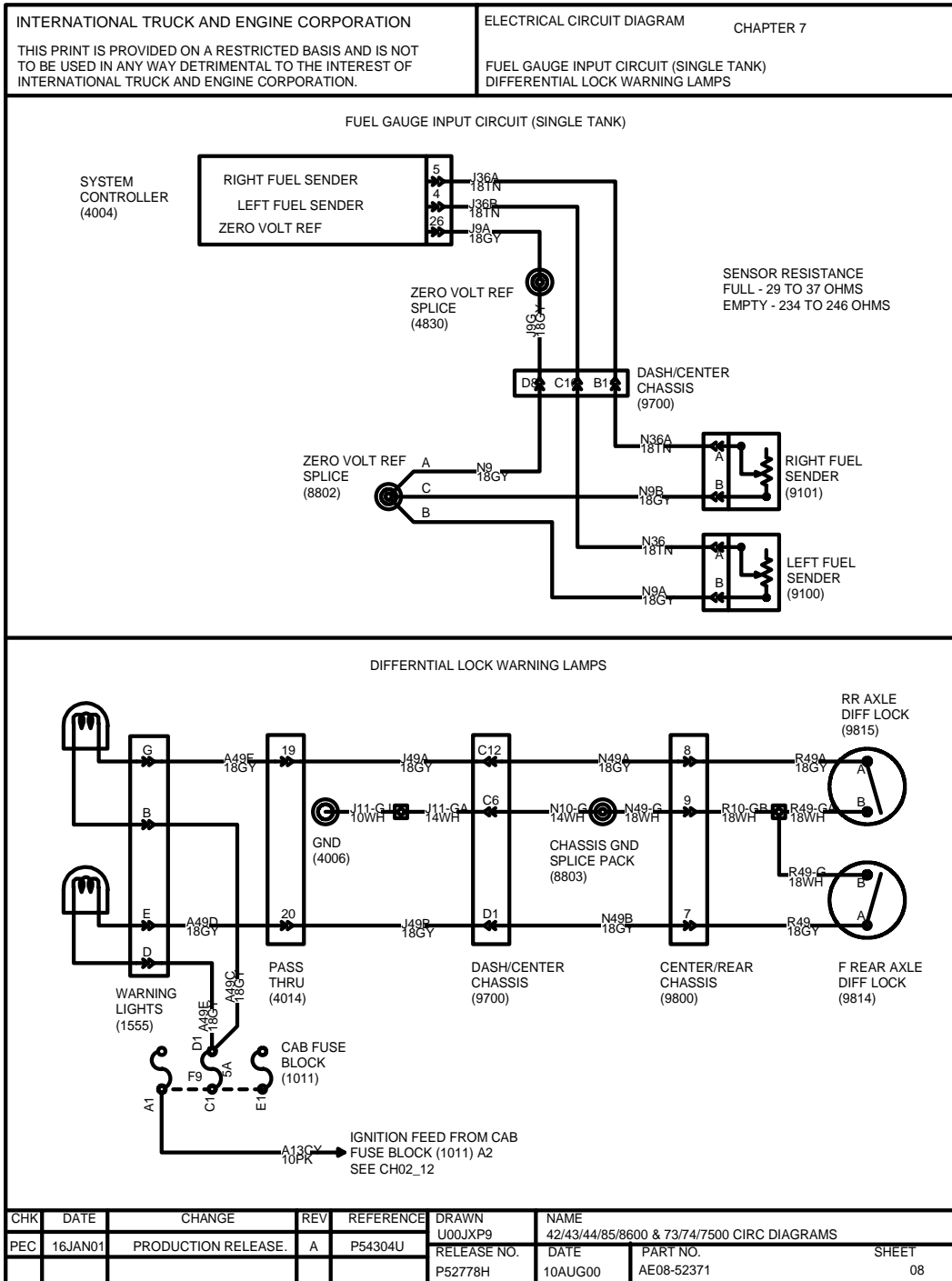


Figure 58 Fuel Gauge Input Circuit (Single Tank) Differential Lock Warning Lamps

7.9. GAUGES AND WARNING LIGHTS — FUEL FILTER RESTRICTION AND WATER IN FUEL LIGHTS, P. 9

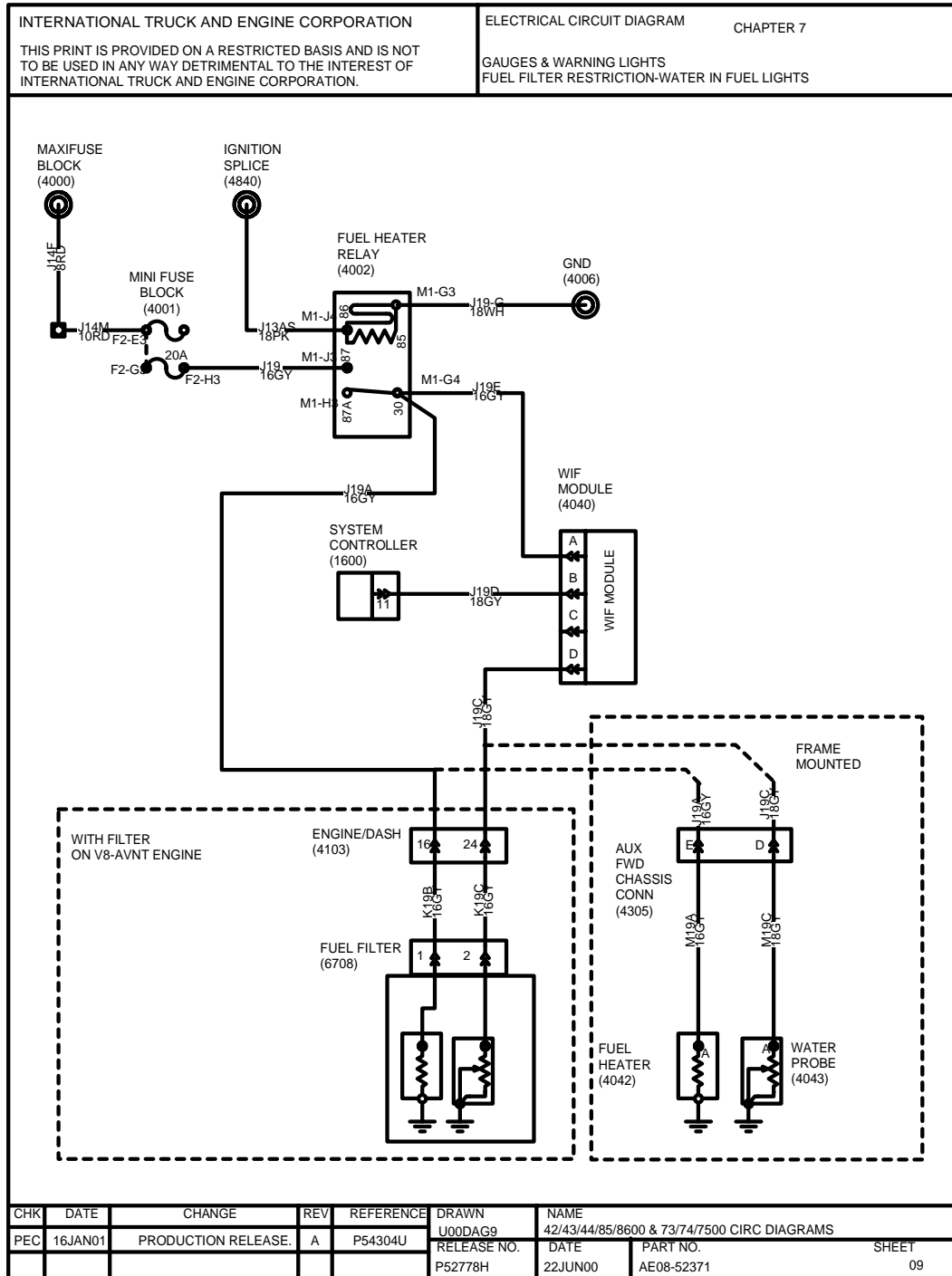


Figure 59 Gauges and Warning Lights — Fuel Filter Restriction and Water in Fuel Lights

7.10. GAUGES AND WARNING LIGHTS — PARK BRAKE LIGHT AND TRANSMISSION OIL TEMP. GAUGE, P. 10

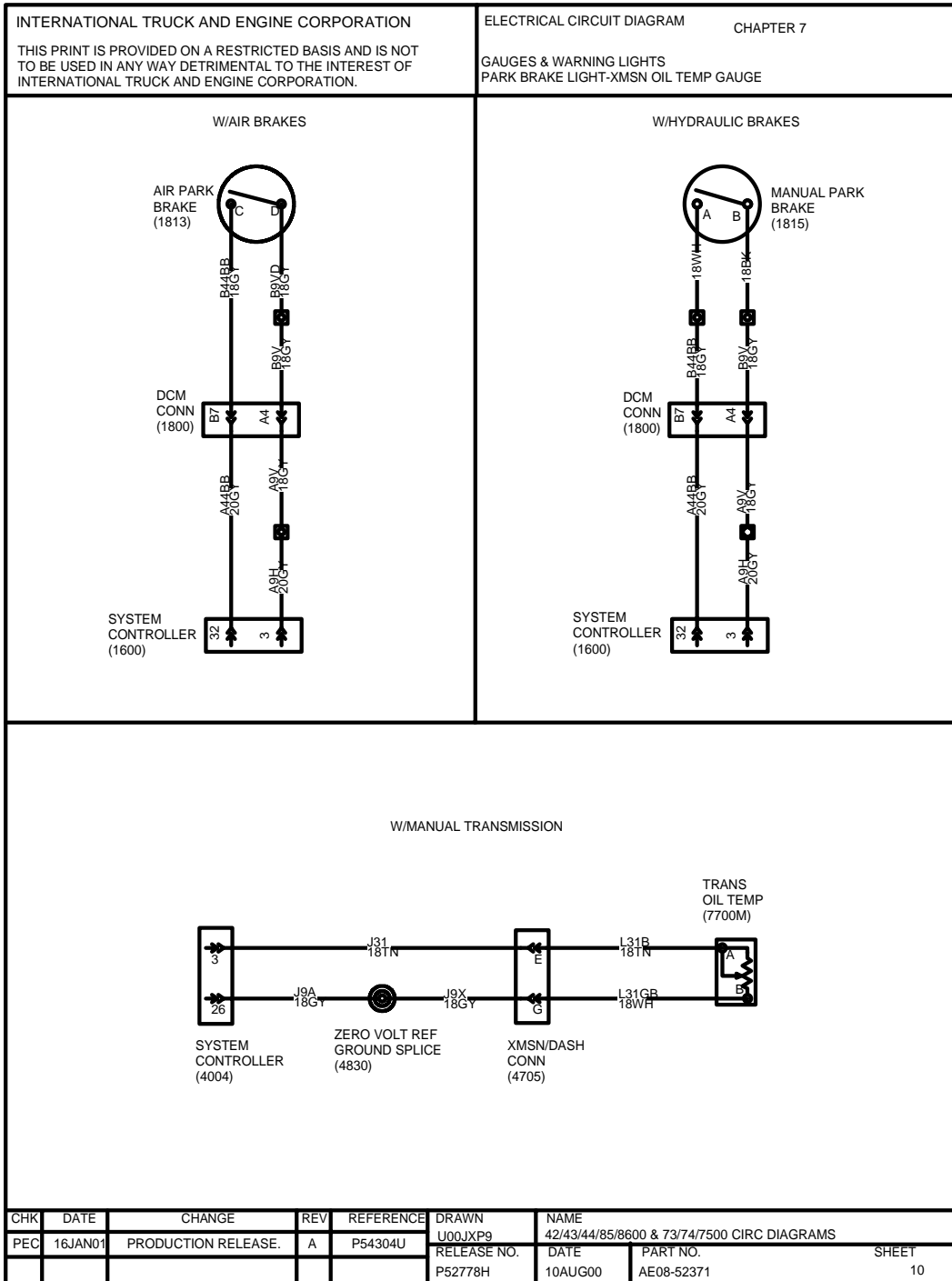


Figure 60 Gauges and Warning Lights — Park Brake Light and Transmission Oil Temp. Gauge

7.11. GAUGES AND WARNING LIGHTS — AMMETER, P. 11

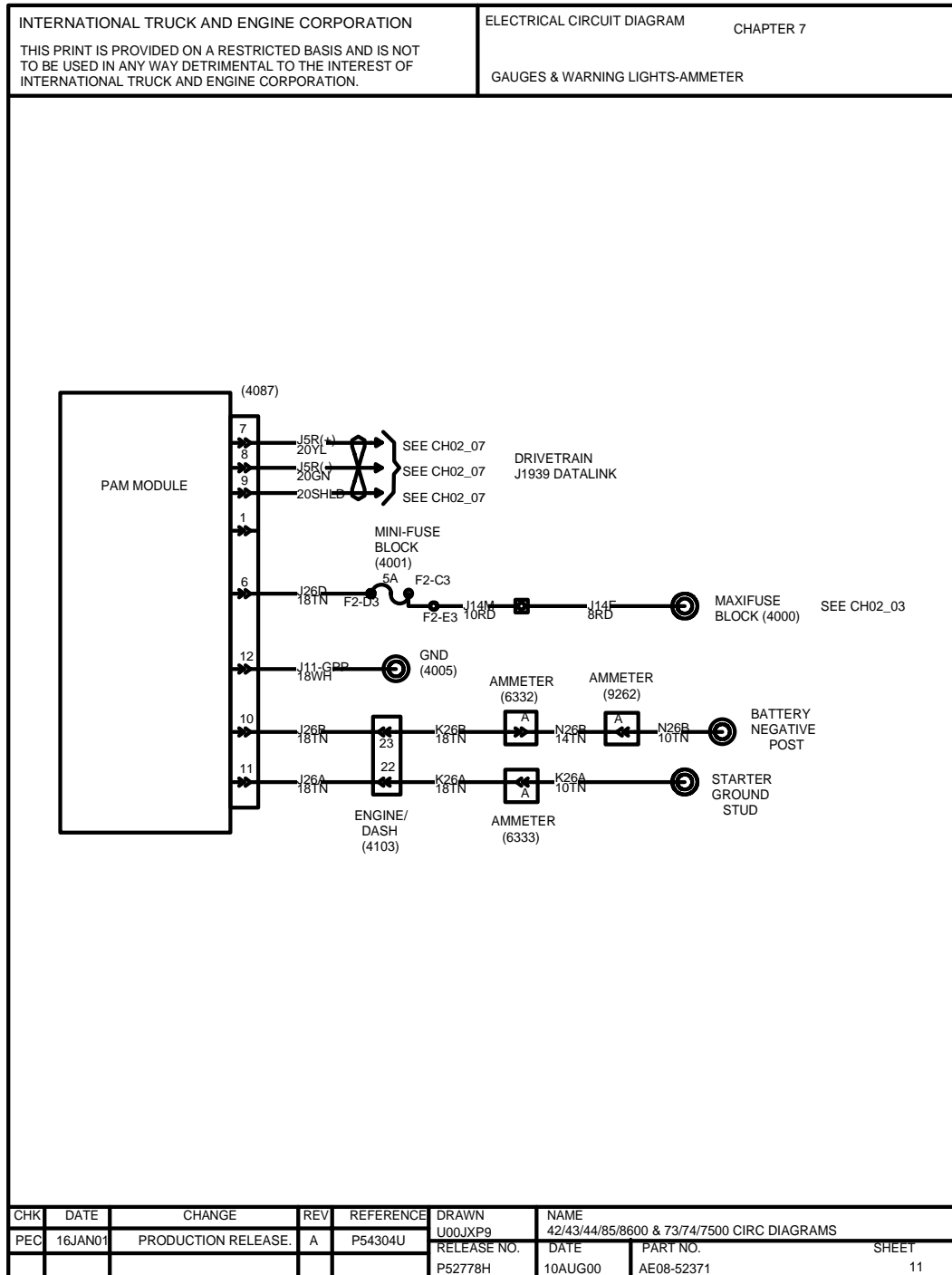


Figure 61 Gauges and Warning Lights — Ammeter

8. LIGHTS (CHAPTER 8)

8.1. BACK UP LIGHTS, P. 1

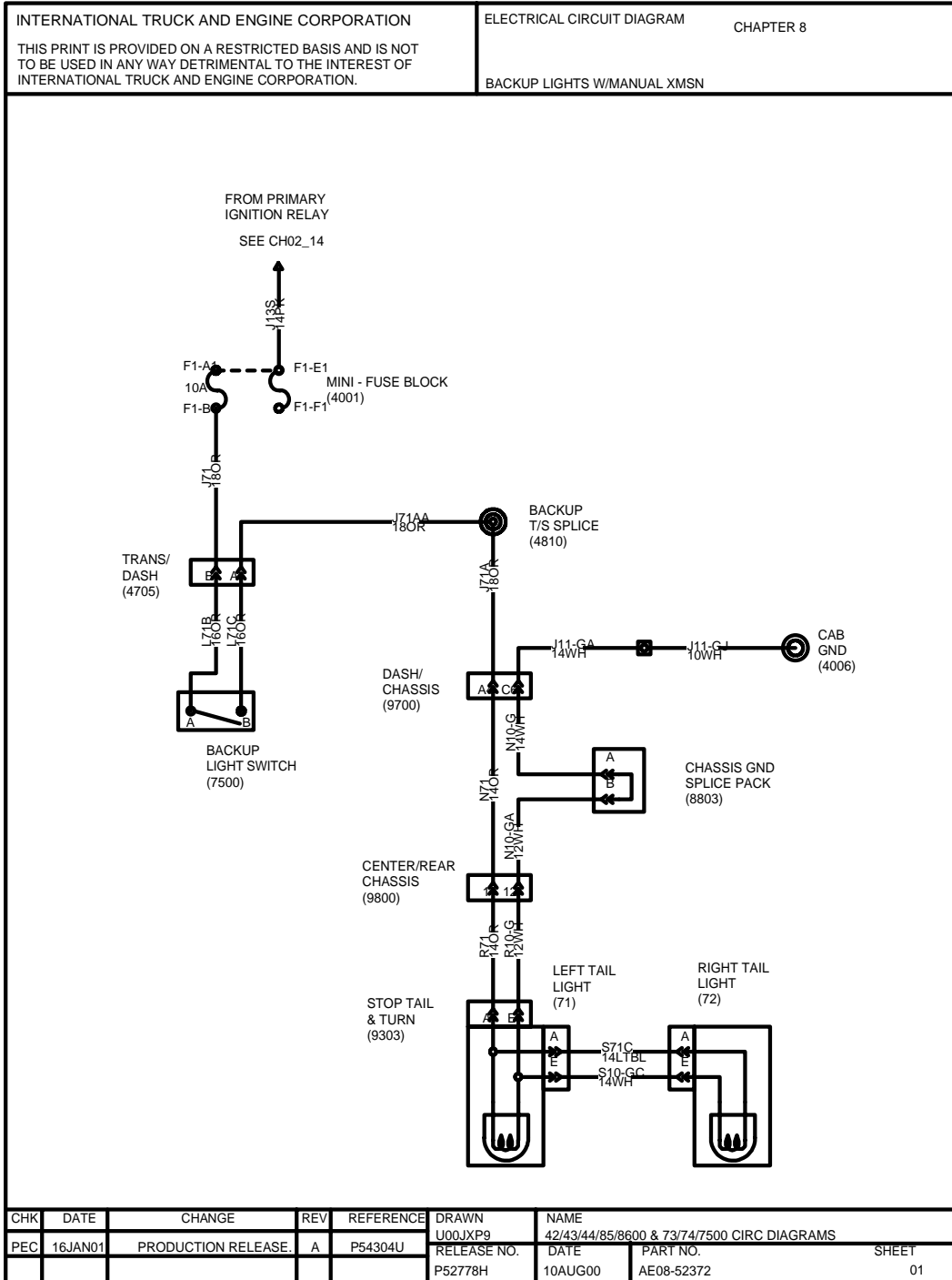


Figure 62 Back Up Lights

8.3. LIGHT SYSTEMS — CLEARANCE, MARKER, PARK, TAIL, TURN AND STOP LAMPS (CONT.), P. 3

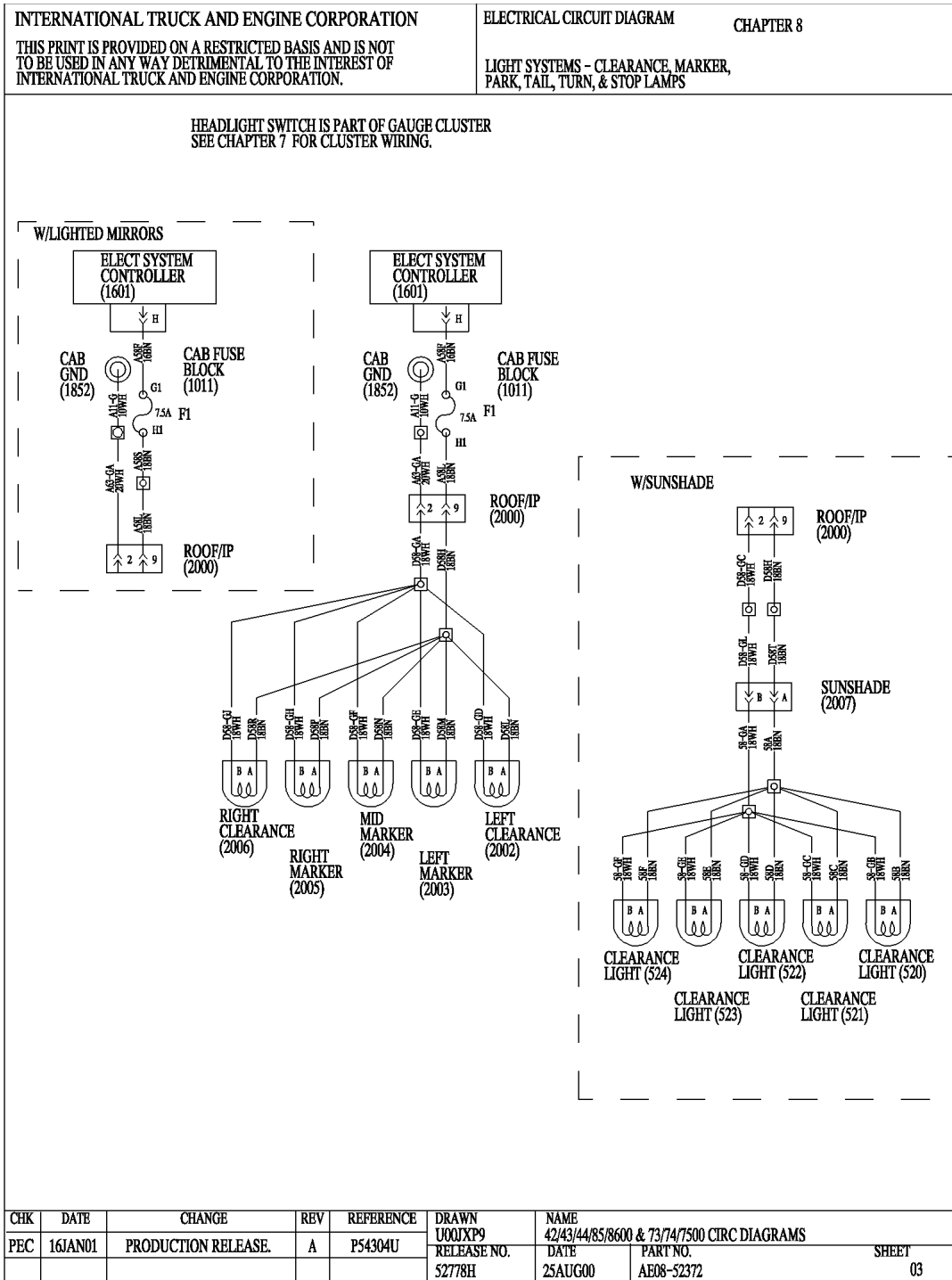


Figure 64 Light Systems — Clearance, Marker, Park, Tail, Turn and Stop Lamps (Cont.)

8.6. DOME LIGHT, MAP LIGHT (CONT.), P. 6

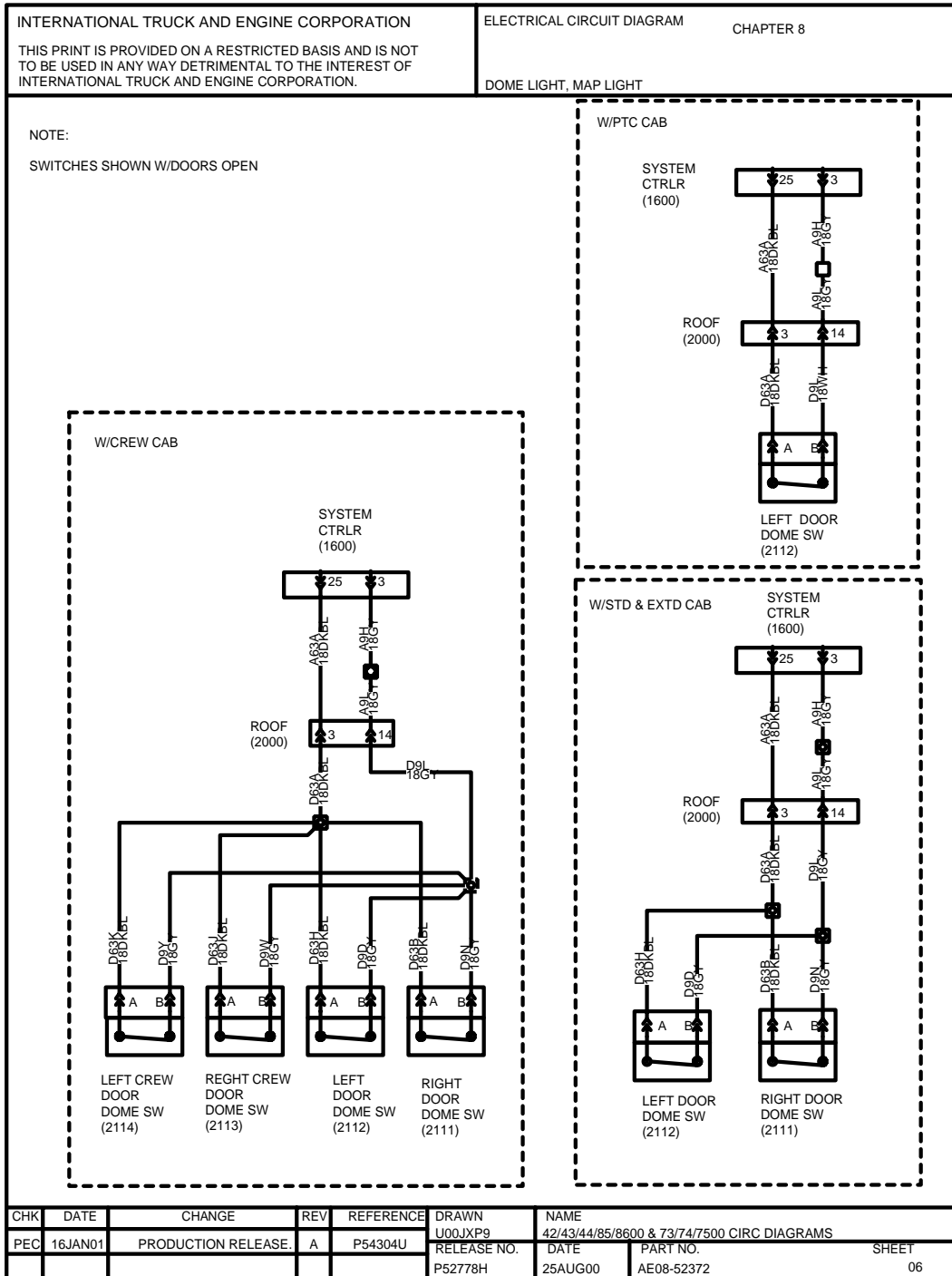


Figure 67 Dome Light, Map Light (Cont.)

8.7. FOG LIGHT AND WORK LIGHT, P. 7

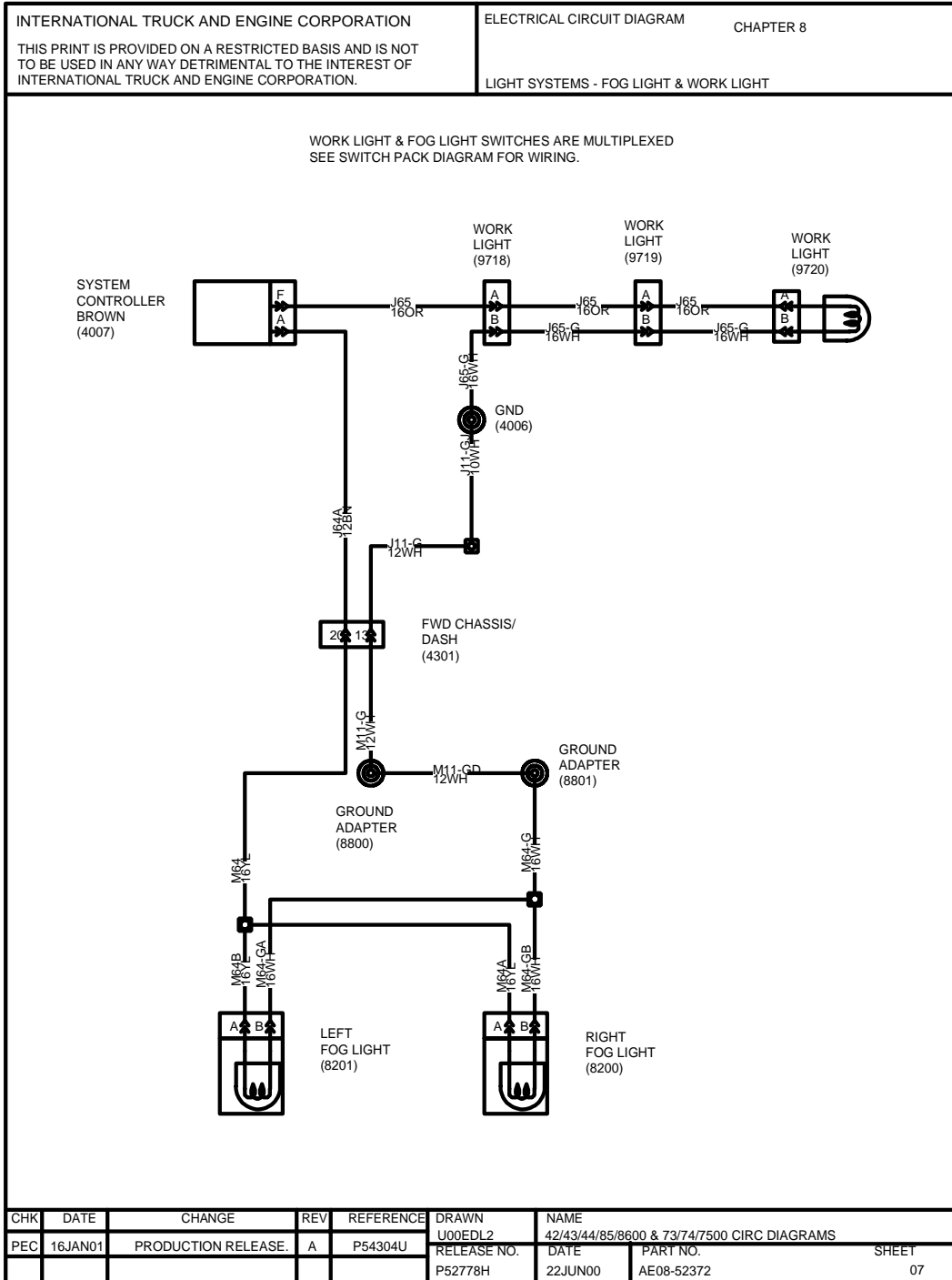


Figure 68 Fog Light and Work Light

8.8. HEADLIGHTS, P. 8

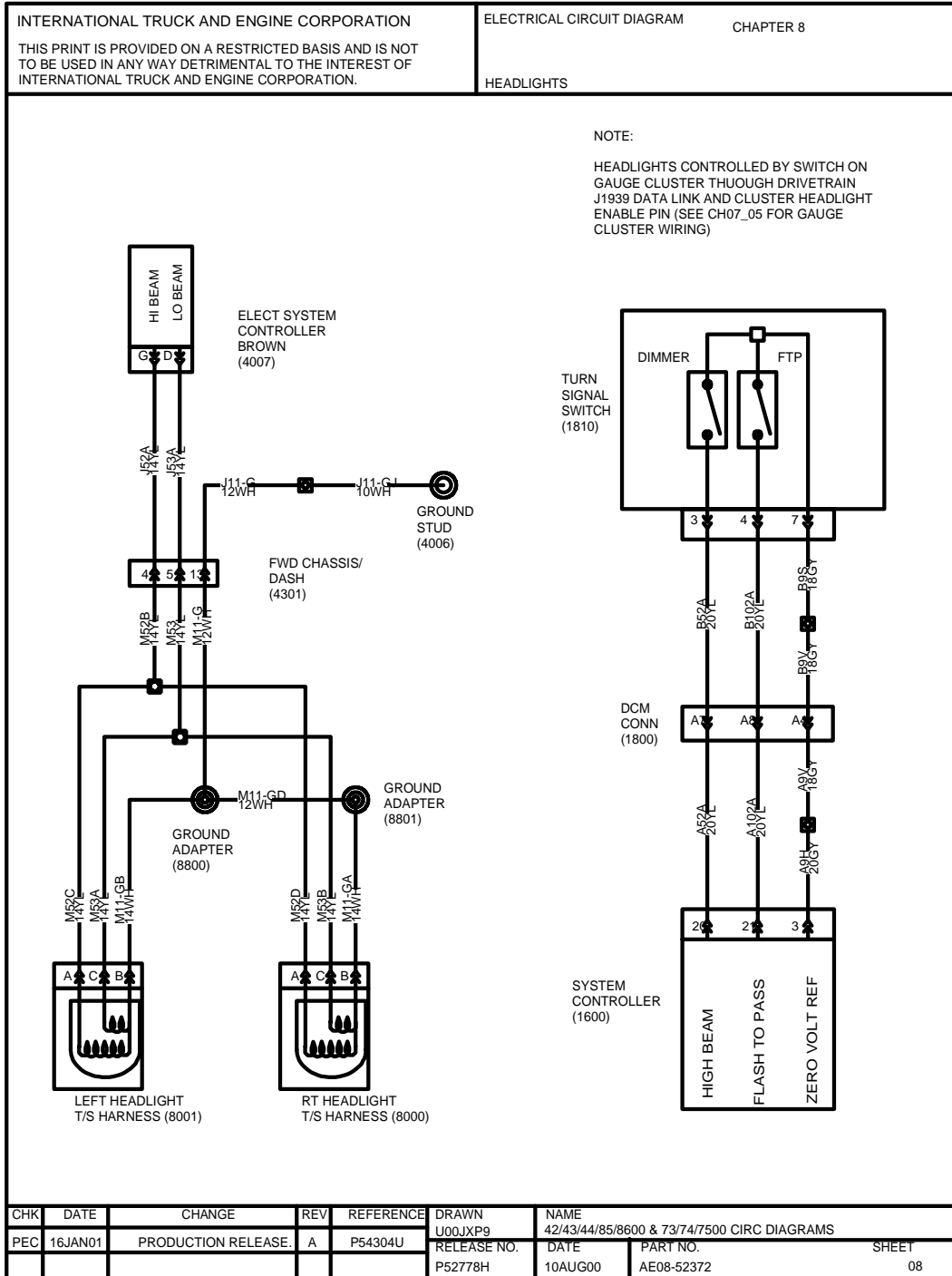


Figure 69 Headlights

8.9. AUX. HEADLIGHTS, AUX. PARK, AUX TURN, P. 9

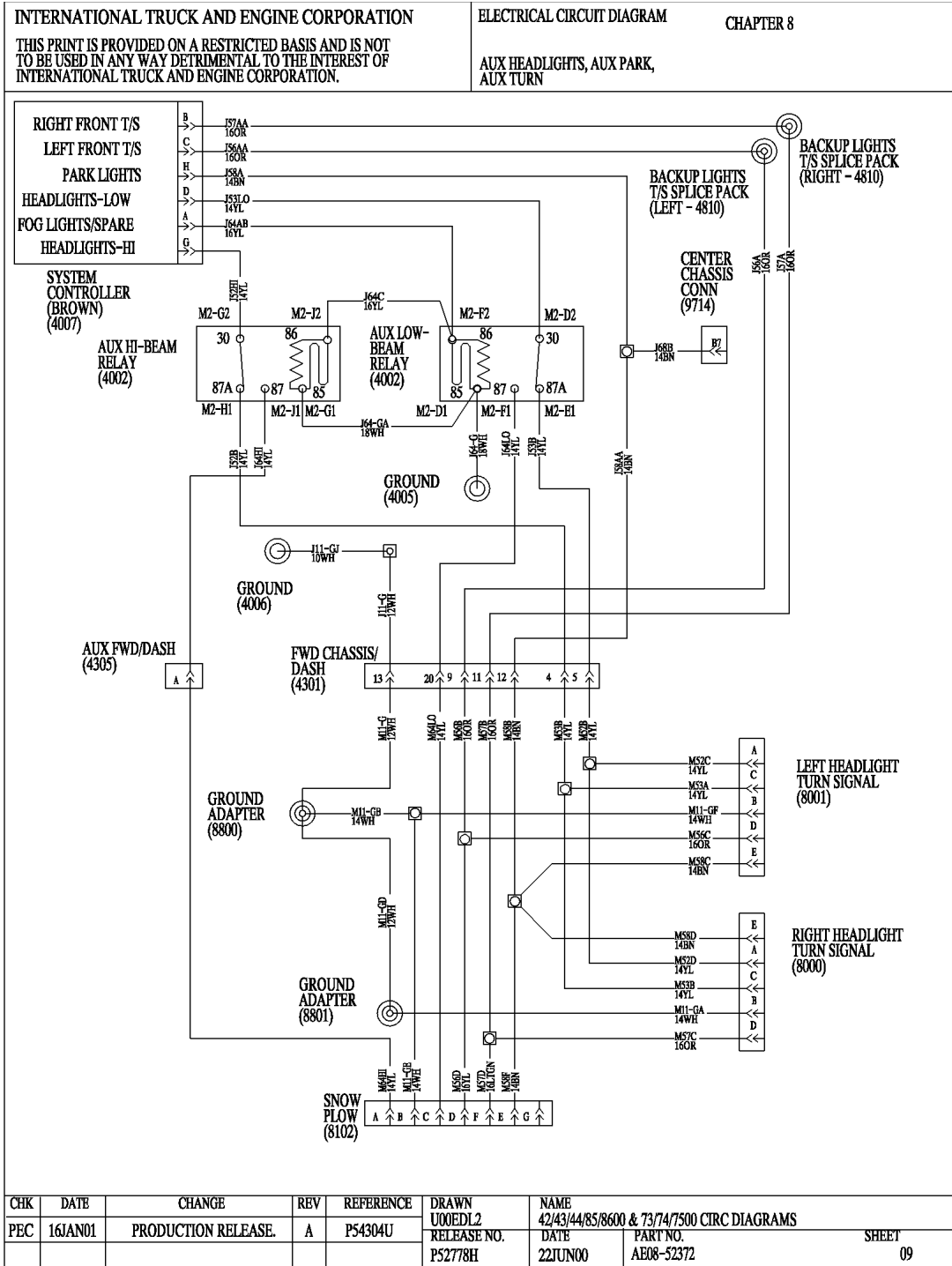


Figure 70 Aux. Headlights, Aux. Park, Aux Turn

8.10. PANEL LIGHTS, P. 10

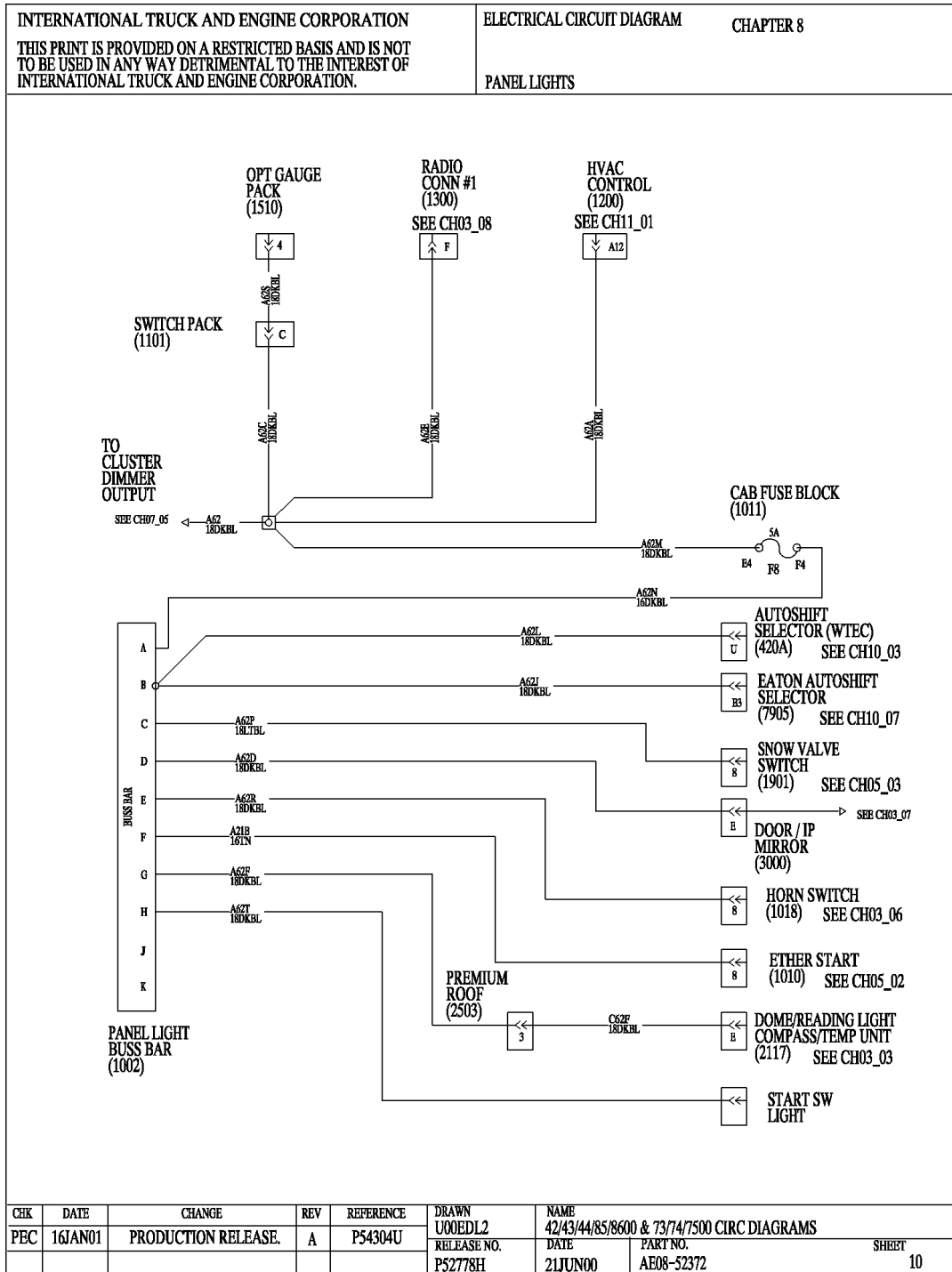


Figure 71 Panel Lights

9. CHASSIS ACCESSORIES (CHAPTER 9)

9.1. AIR DRYER AND HEATED DRAIN VALVE, P. 1

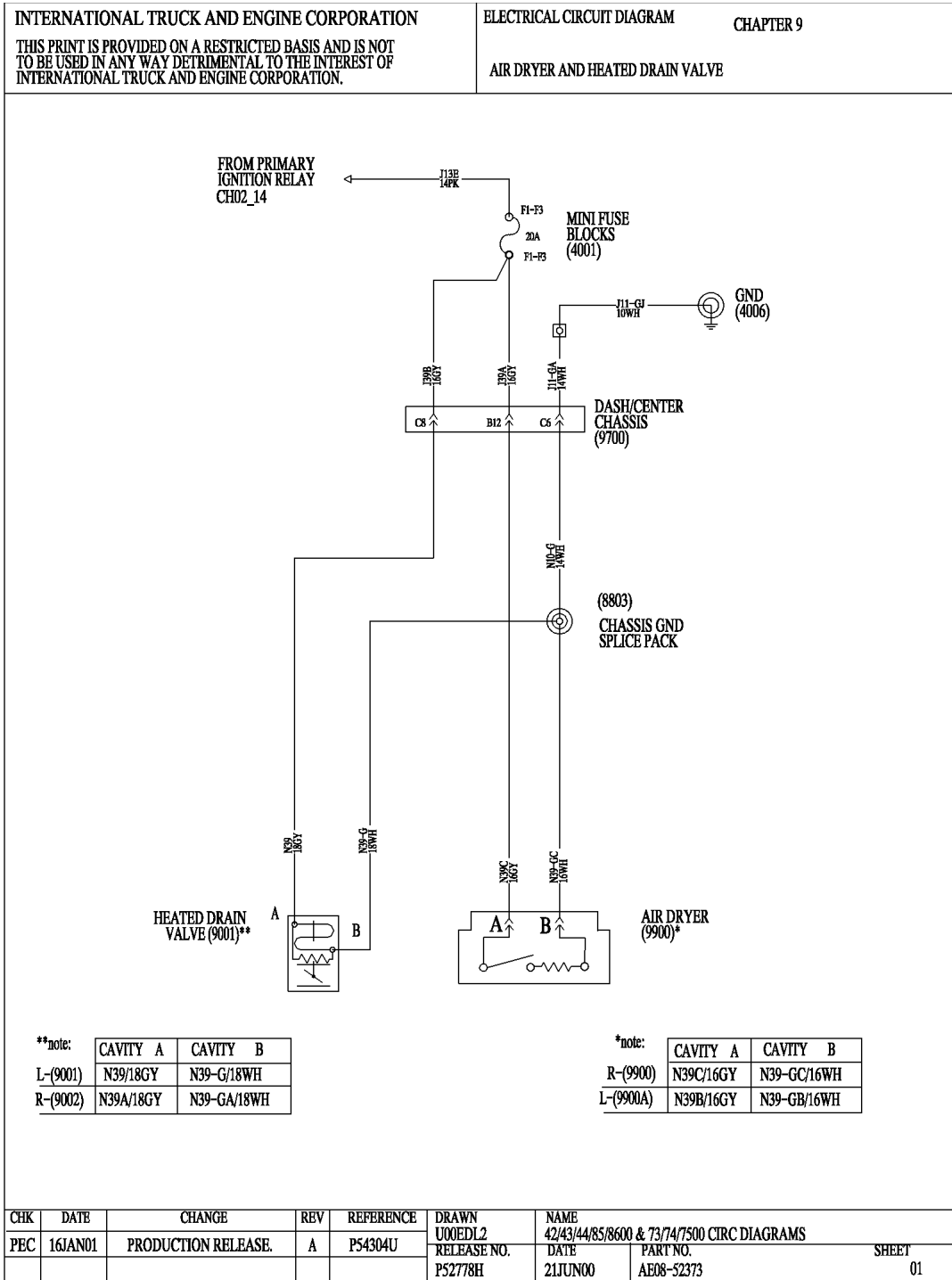


Figure 72 Air Dryer and Heated Drain Valve

9.2. ANTILOCK BRAKE SYSTEM (ABS), AIR, P. 2

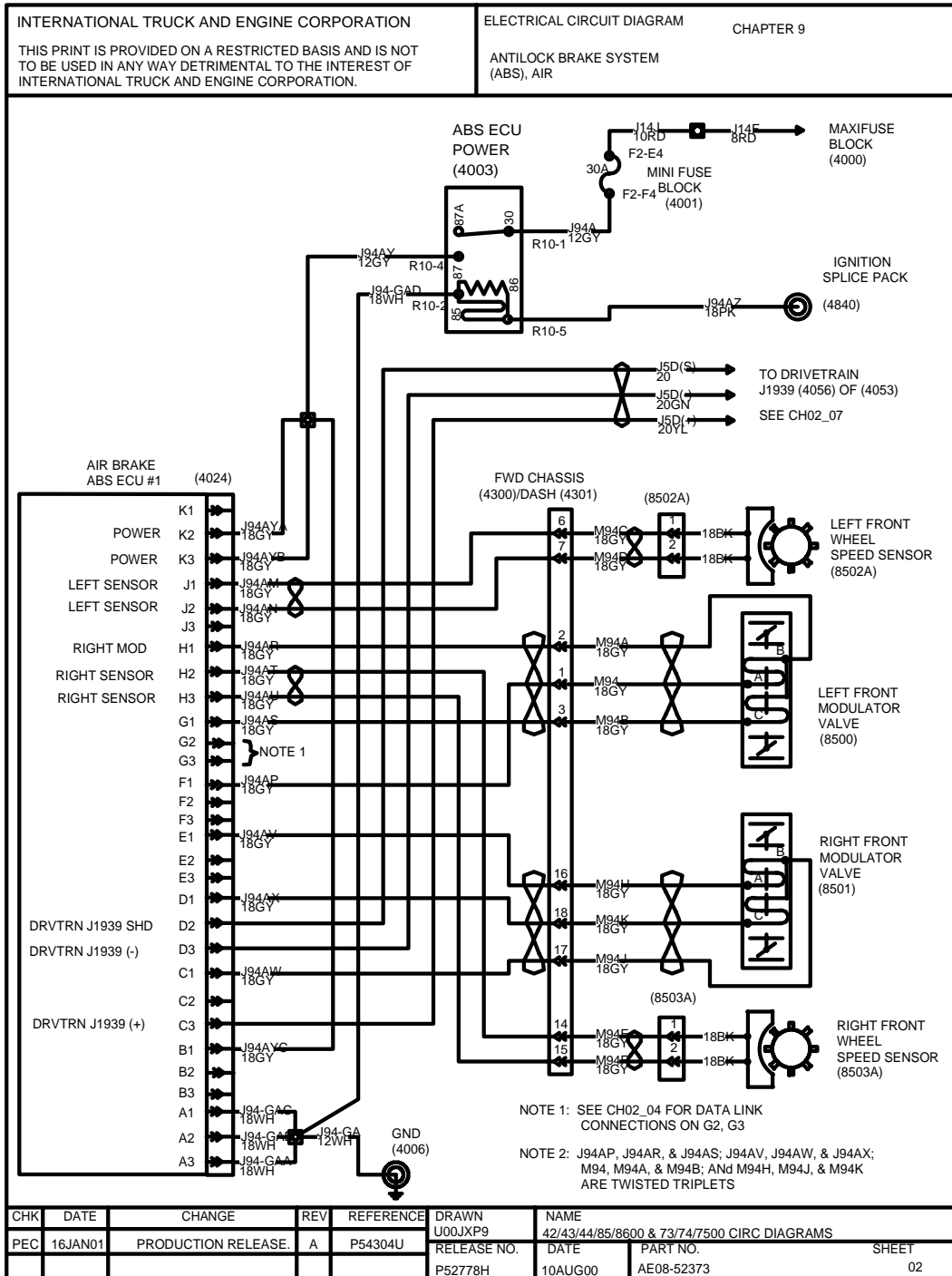


Figure 73 Antilock Brake System (ABS), Air

9.3. ANTILOCK BRAKE SYSTEM (ABS), AIR, TRACTION CONTROL, P. 3

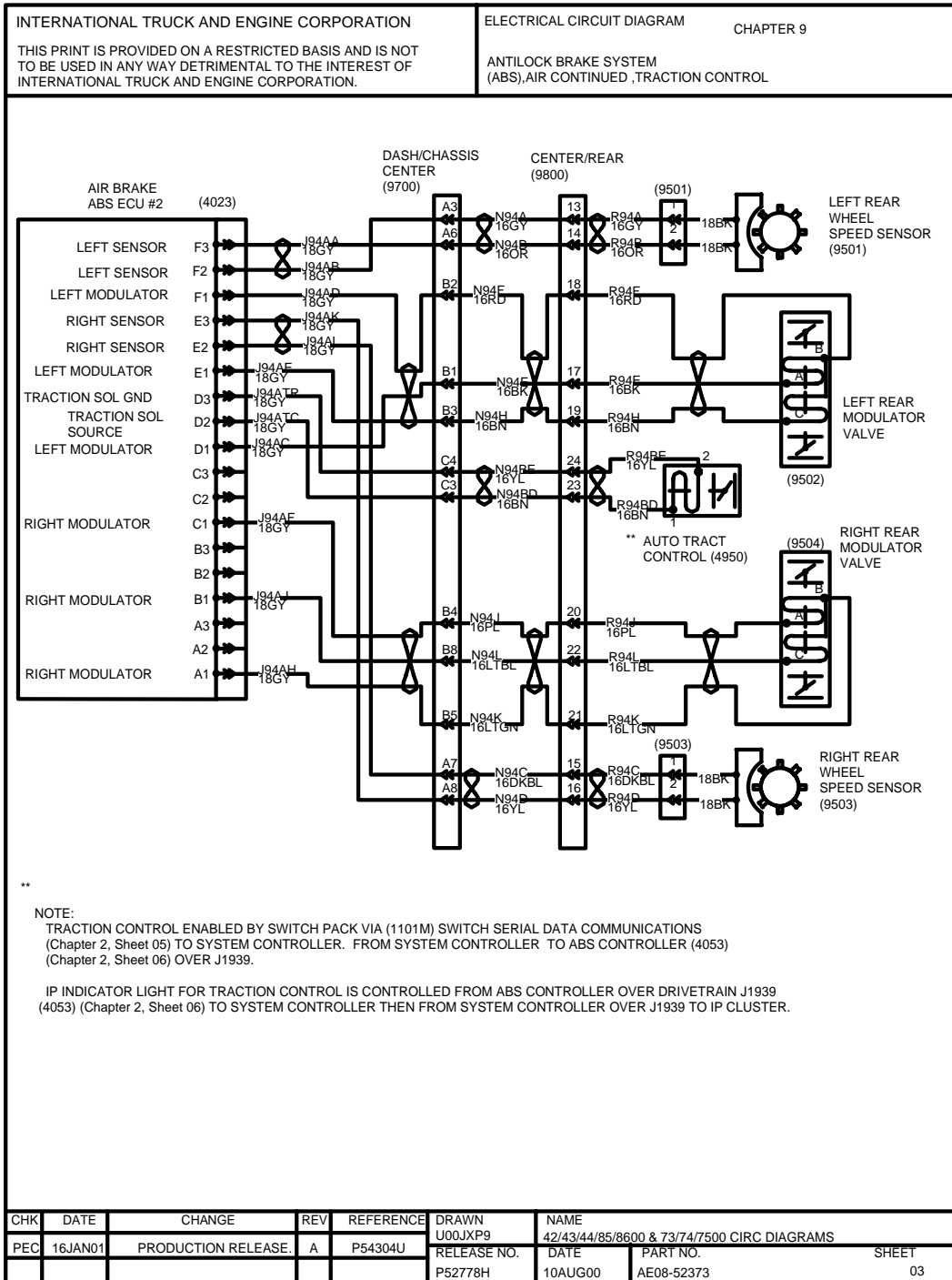


Figure 74 Antilock Brake System (ABS), Air, Traction Control

9.4. ANTILOCK BRAKE SYSTEM (ABS), HYDRAULIC, P. 4

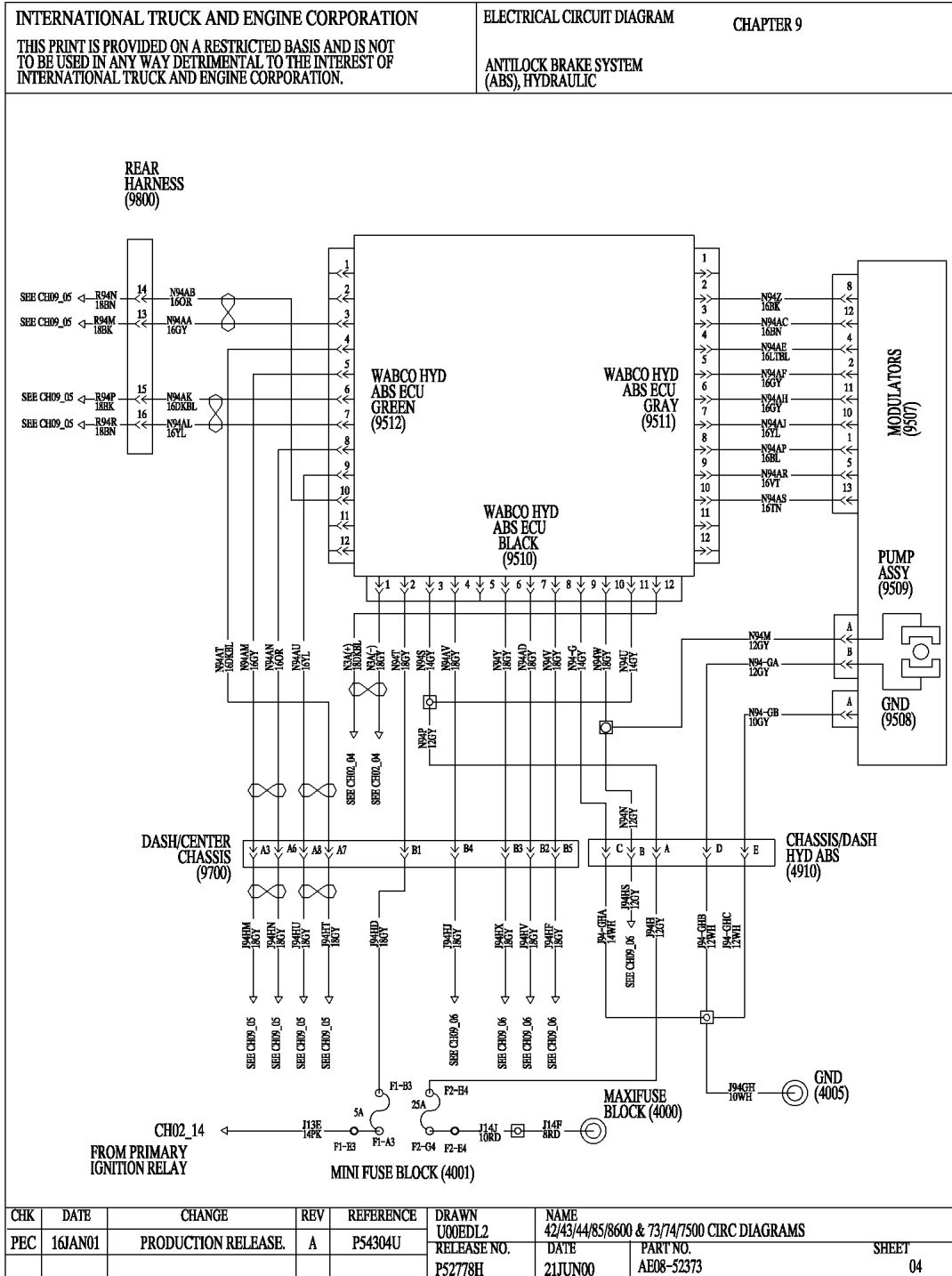


Figure 75 Antilock Brake System (ABS), Hydraulic

9.6. ANTILOCK BRAKE SYSTEM (ABS), HYDRAULIC (CONT.), P. 6

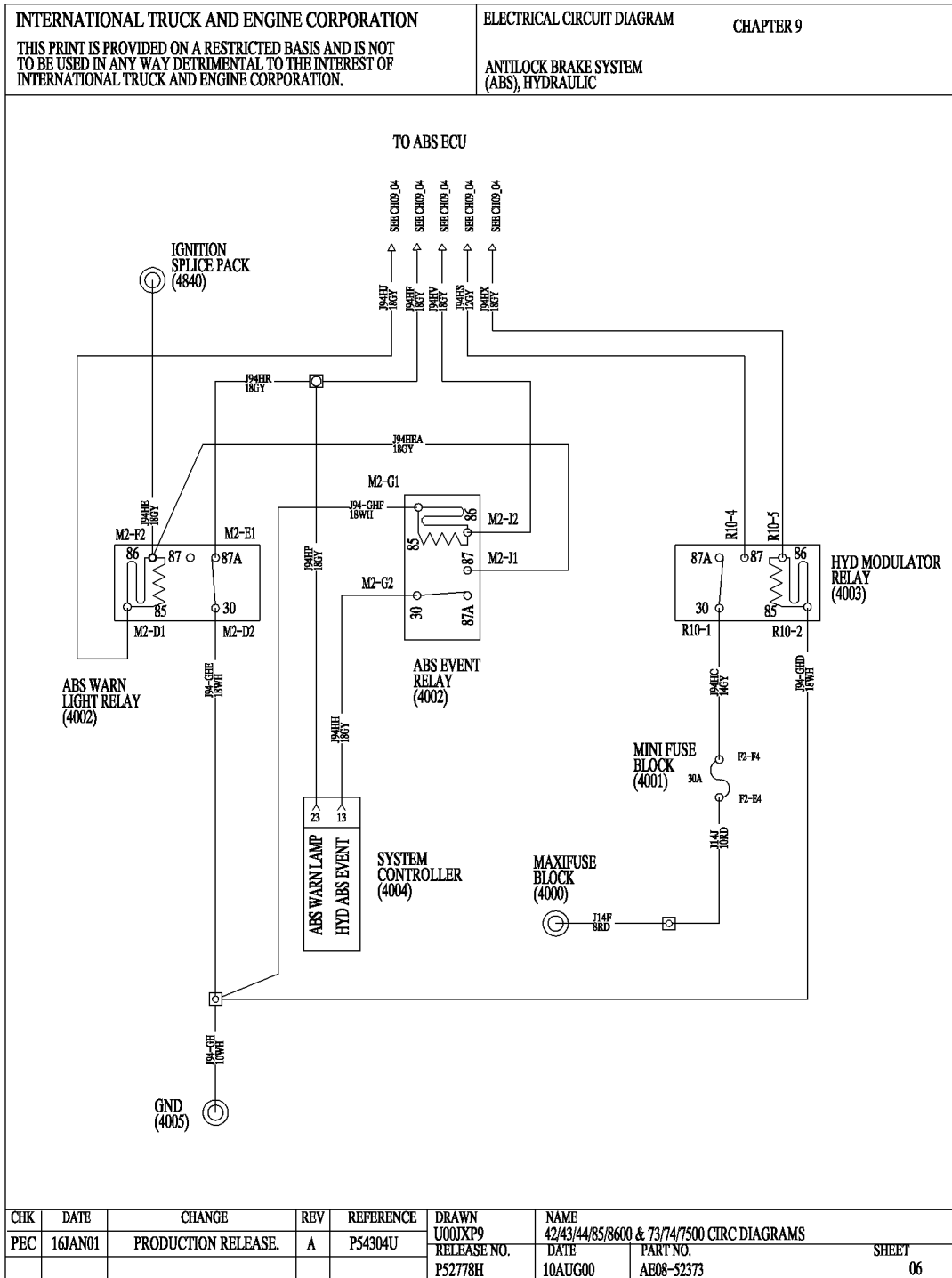


Figure 77 Antilock Brake System (ABS), Hydraulic (Cont.)

9.7. TWO SPEED AXLE SWITCH W/MANUAL TRANSMISSION FUEL HEATER N/WARN LIGHTS, P. 7

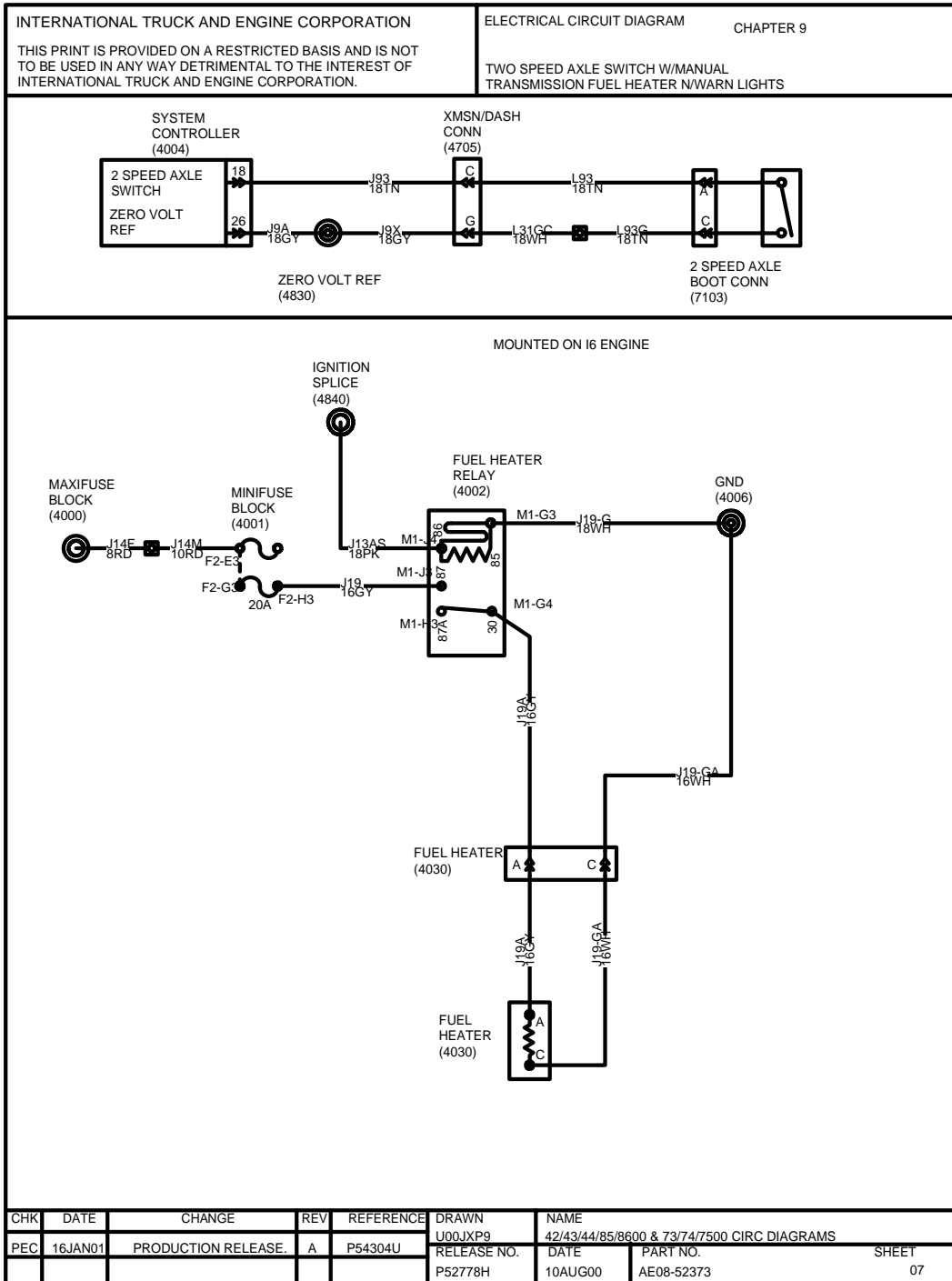


Figure 78 Two Speed Axle Switch W/Manual Transmission Fuel Heater N/Warn Lights

9.8. BRAKE SYSTEM, HYDRAULIC, P. 8

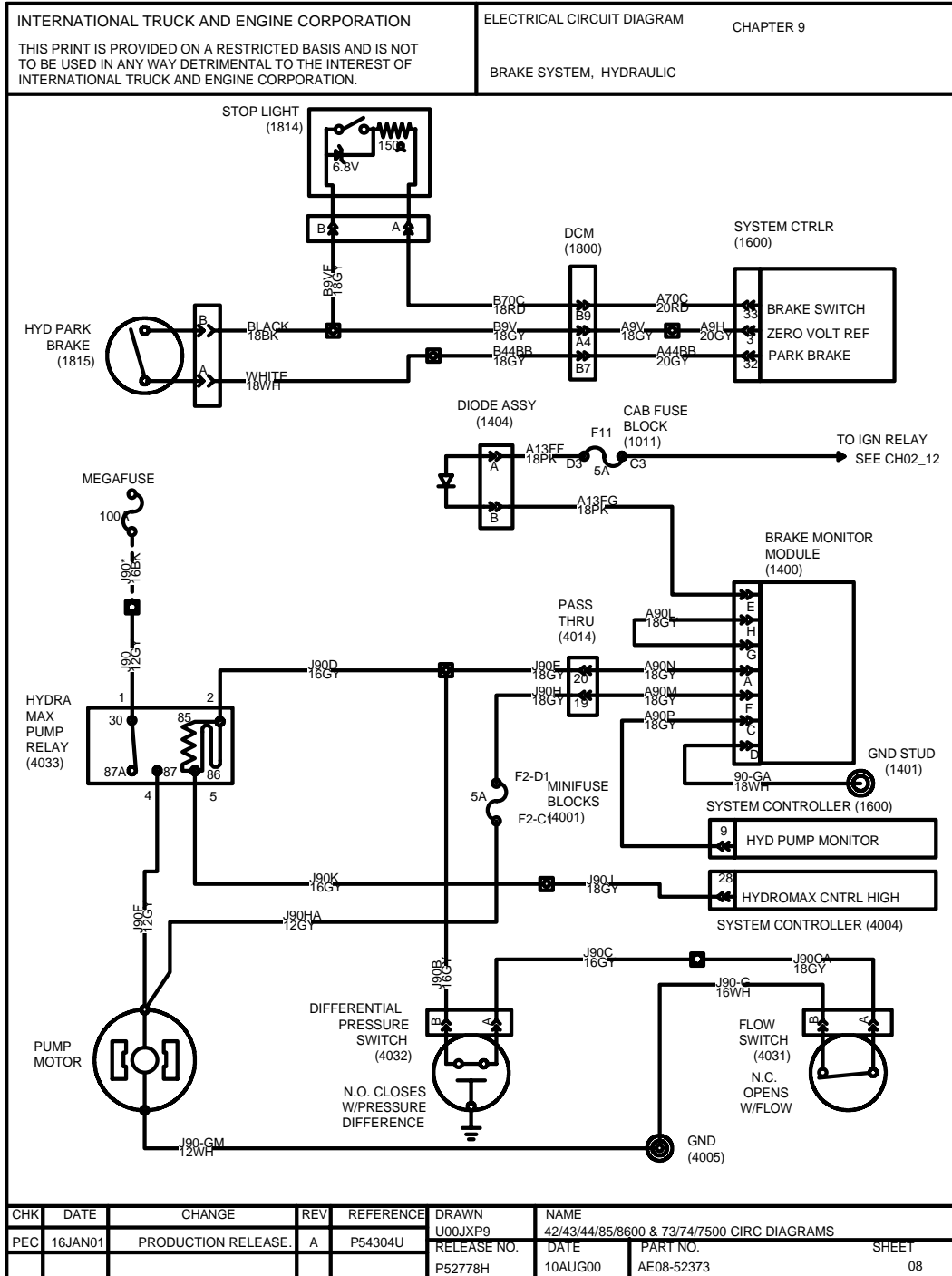


Figure 79 Brake System, Hydraulic

9.11. BODY BUILDER AND TRAILER TURNS, CENTER PIN ABS, CENTER PIN AUX,
P. 11

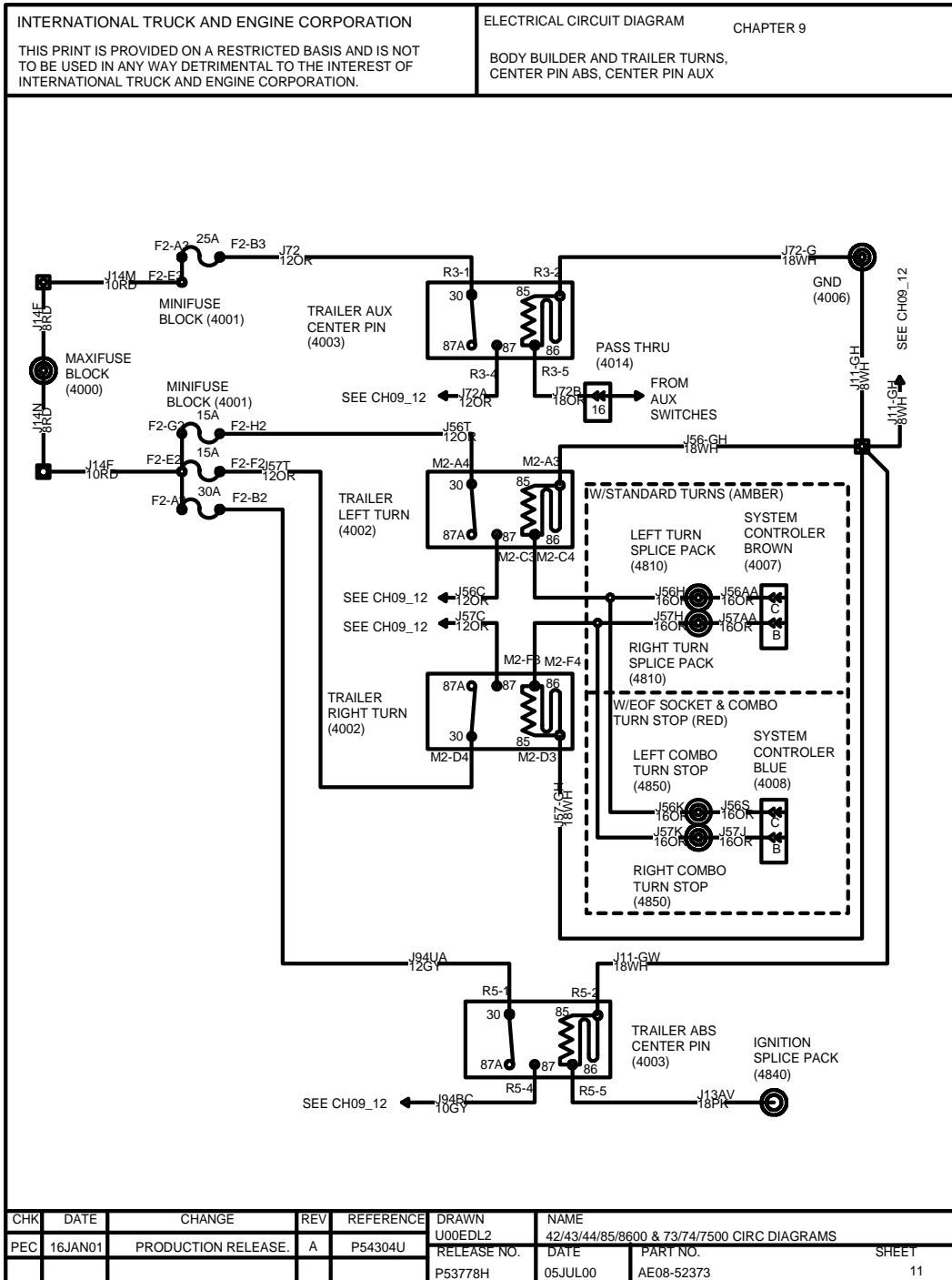


Figure 82 Body Builder and Trailer Turns, Center Pin ABS, Center Pin Aux

9.12. BODY BUILDER AND TRAILER SOCKET BACK OF CAB SOCKETS, P. 12

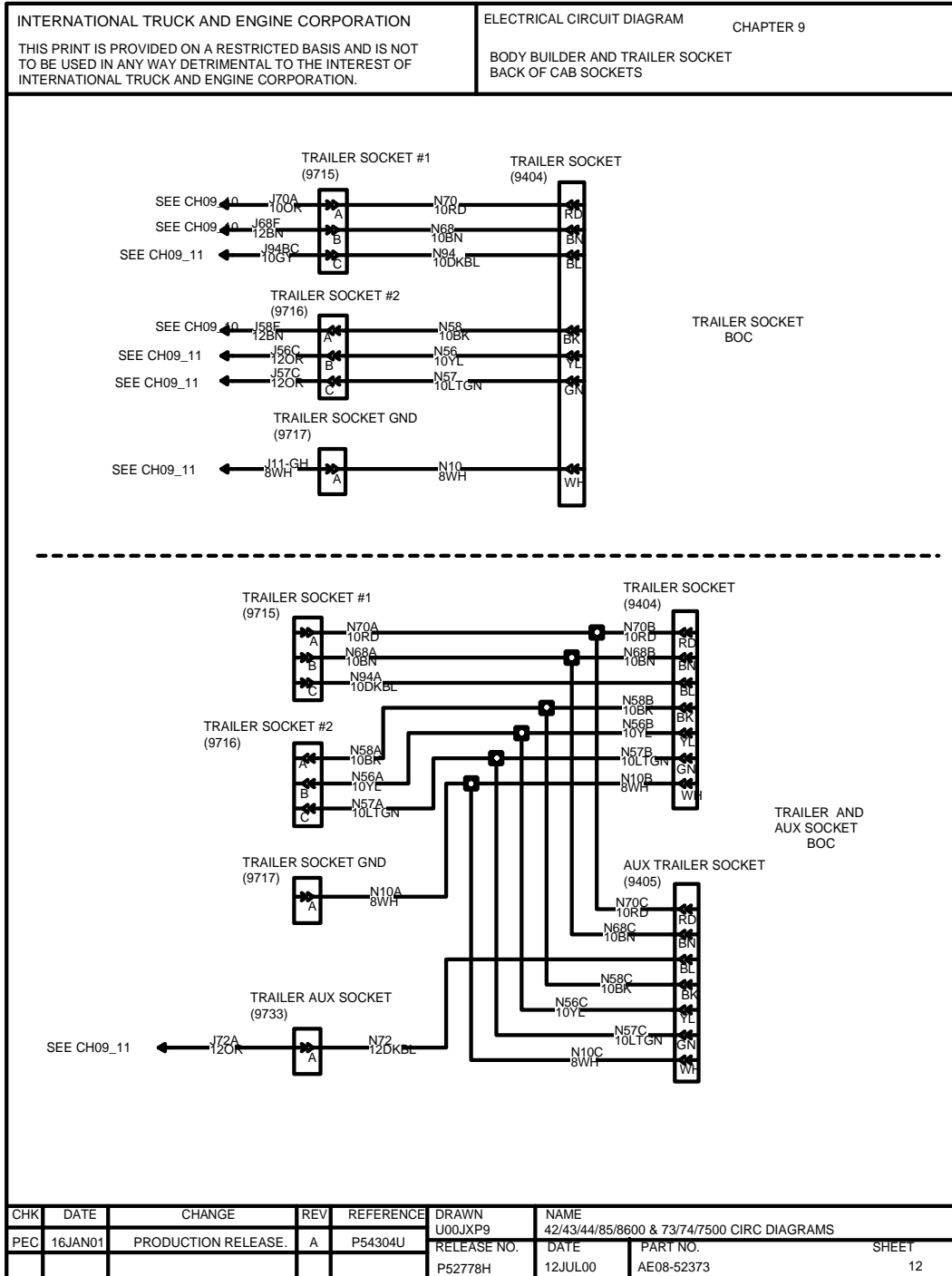


Figure 83 Body Builder and Trailer Socket Back of Cab Sockets

9.13. BODY BUILDER AND TRAILER SOCKET END OF FRAME (EOF) SOCKET AND BODY BUILDER, P. 13

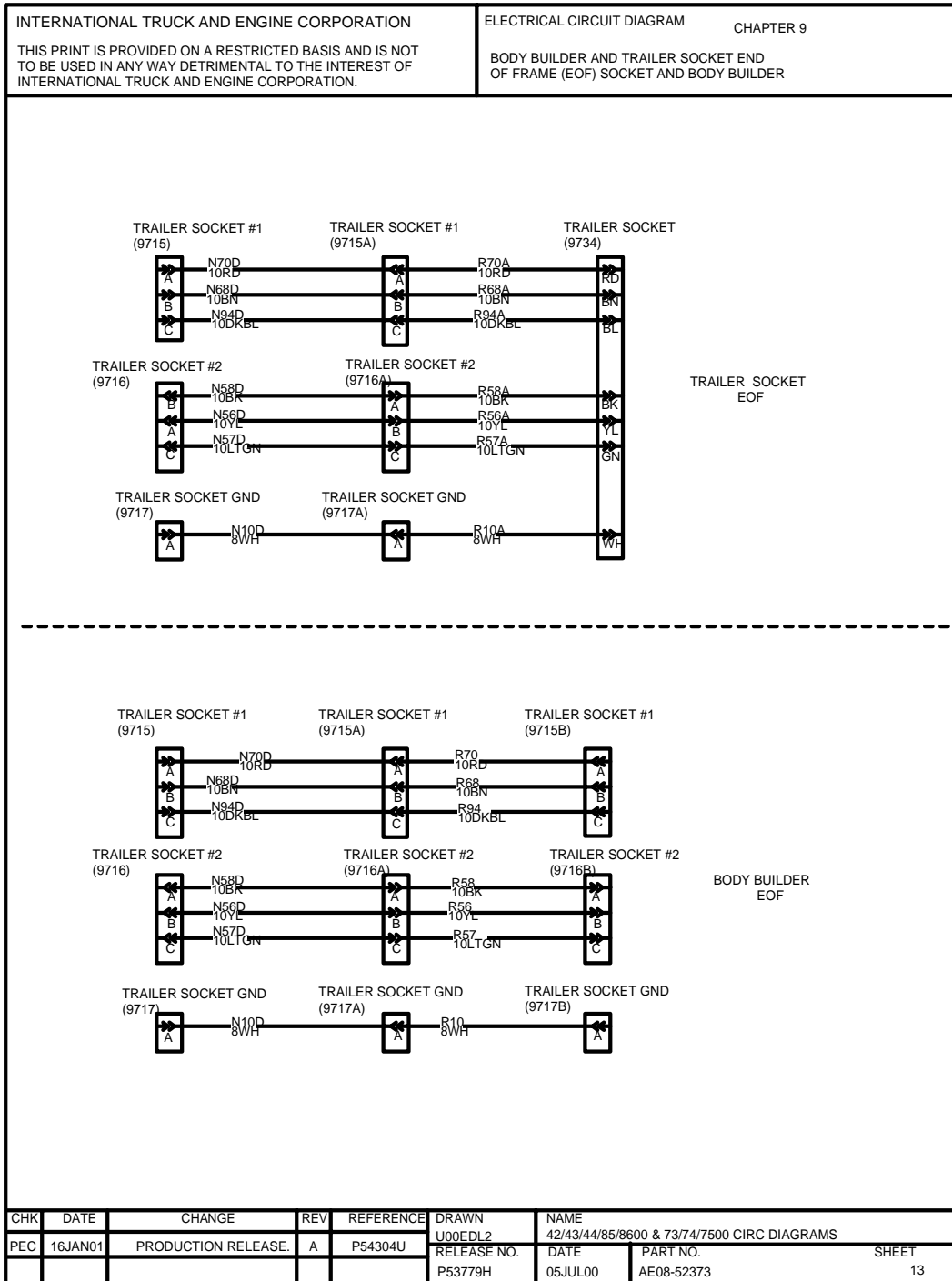


Figure 84 Body Builder and Trailer Socket End of Frame (EOF) Socket and Body Builder

9.14. AIR SOLENOID 4-WAY PACK, P. 14

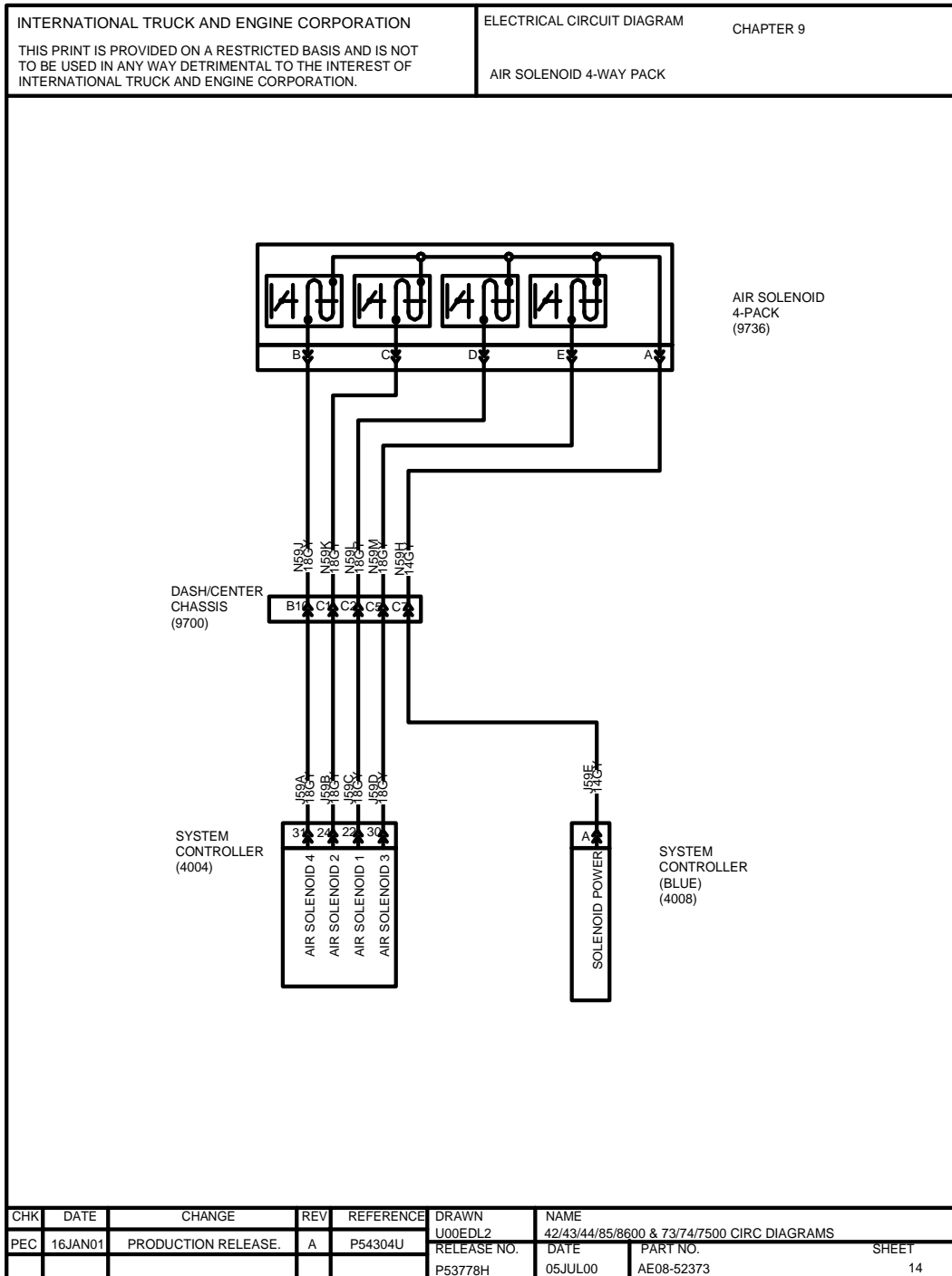


Figure 85 Air Solenoid 4-Way Pack

9.15. REMOTE POWER UNITS, SOLENOID PACKS, REMOTE ENGINE SPEED CONTROLLER, P. 15

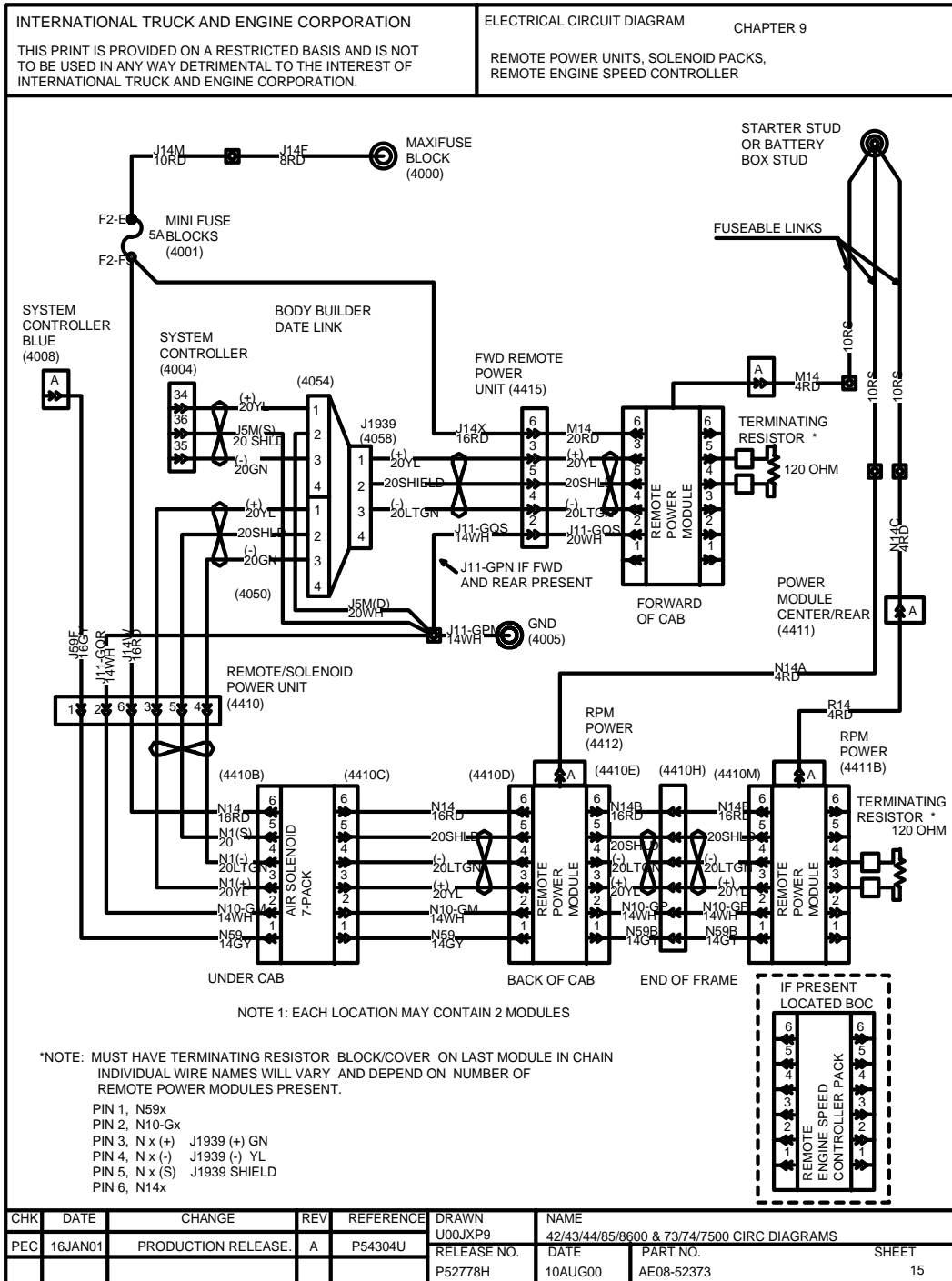


Figure 86 Remote Power Units, Solenoid Packs, Remote Engine Speed Controller

9.16. HYD POWER PARK, P. 16

INTERNATIONAL TRUCK AND ENGINE CORPORATION THIS PRINT IS PROVIDED ON A RESTRICTED BASIS AND IS NOT TO BE USED IN ANY WAY DETRIMENTAL TO THE INTEREST OF INTERNATIONAL TRUCK AND ENGINE CORPORATION.				ELECTRICAL CIRCUIT DIAGRAM CHAPTER 9 CHASSIS ACCESSORIES - HYD POWER PARK			
DIAGRAM NOT AVAILABLE							
CHK	DATE	CHANGE	REV	REFERENCE	DRAWN	NAME	
PEC	16JAN01	PRODUCTION RELEASE.	A	P54304U	U00EDL2	42/43/44/85/8600 & 73/74/7500 CIRC DIAGRAMS	
					RELEASE NO.	DATE	PART NO.
					P52778H	10JUL00	AE08-52373
							SHEET 16

Figure 87 HYD Power Park

9.17. AIR SUSPENSION, P. 17

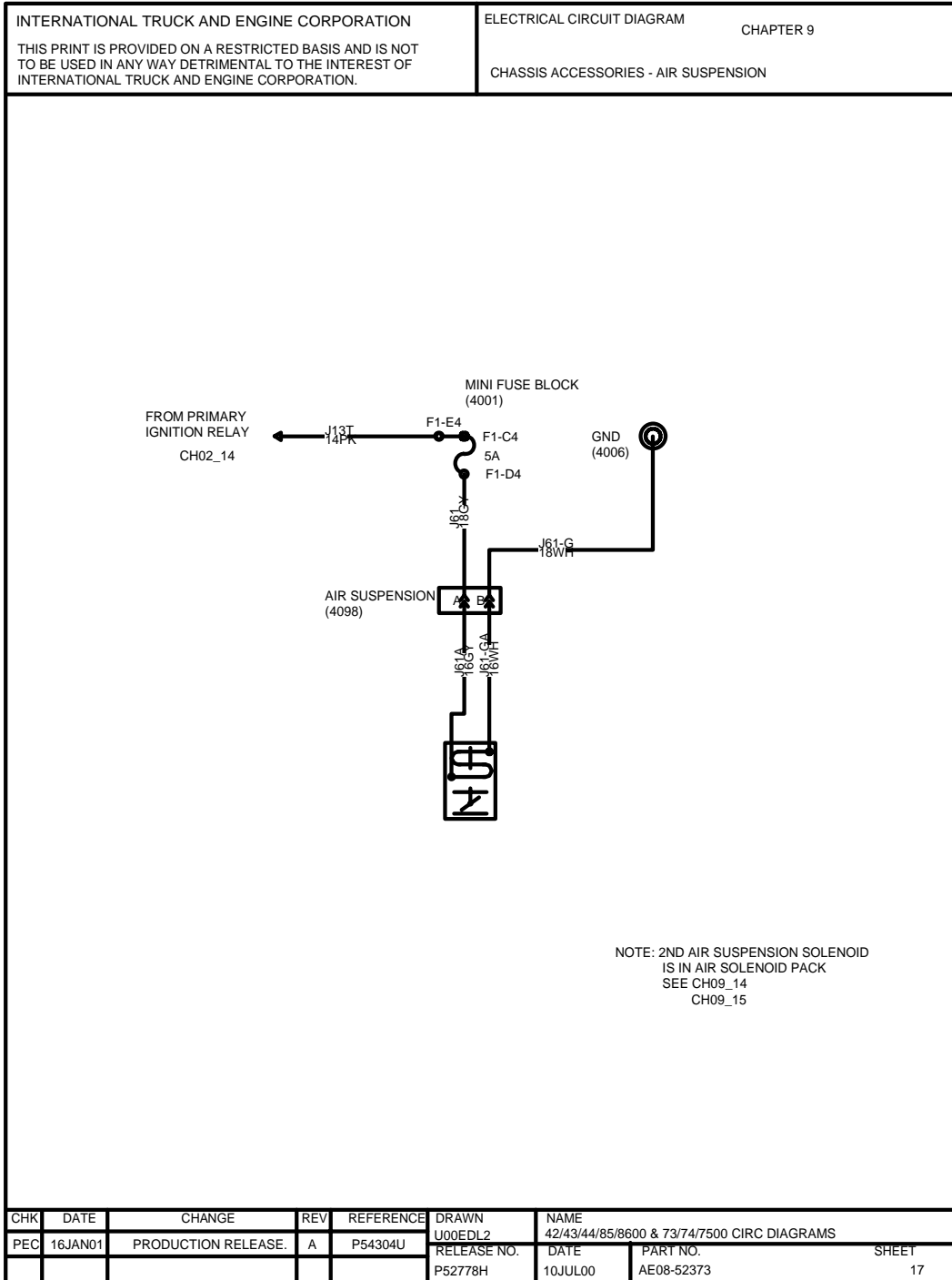


Figure 88 Air Suspension

9.18. AUX. TRAILER, ACC CONTROLLED, P. 18

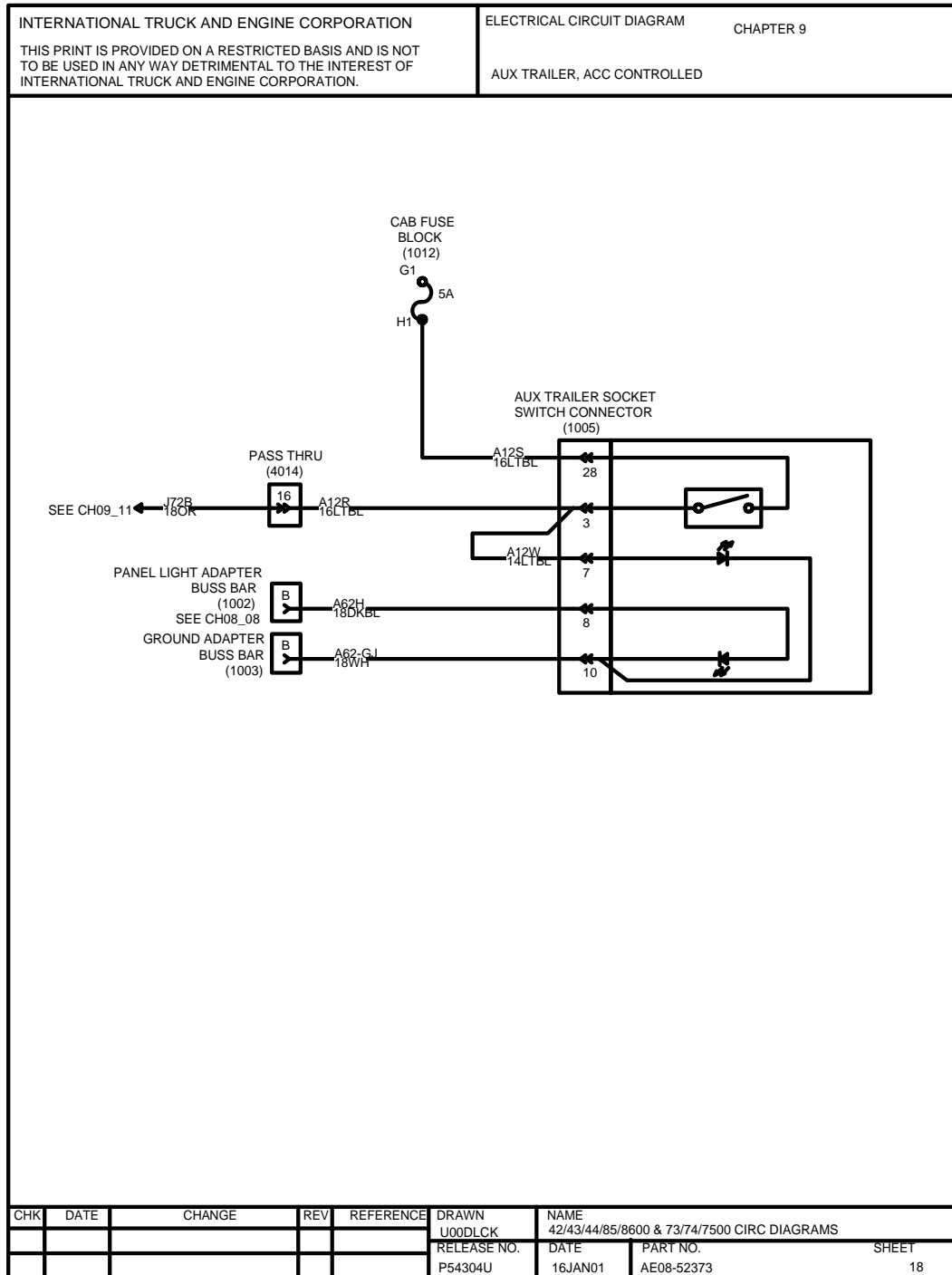


Figure 89 Aux. Trailer, Acc Controlled

9.19. AUX. TRAILER, BTRY CONTROLLED, P. 19

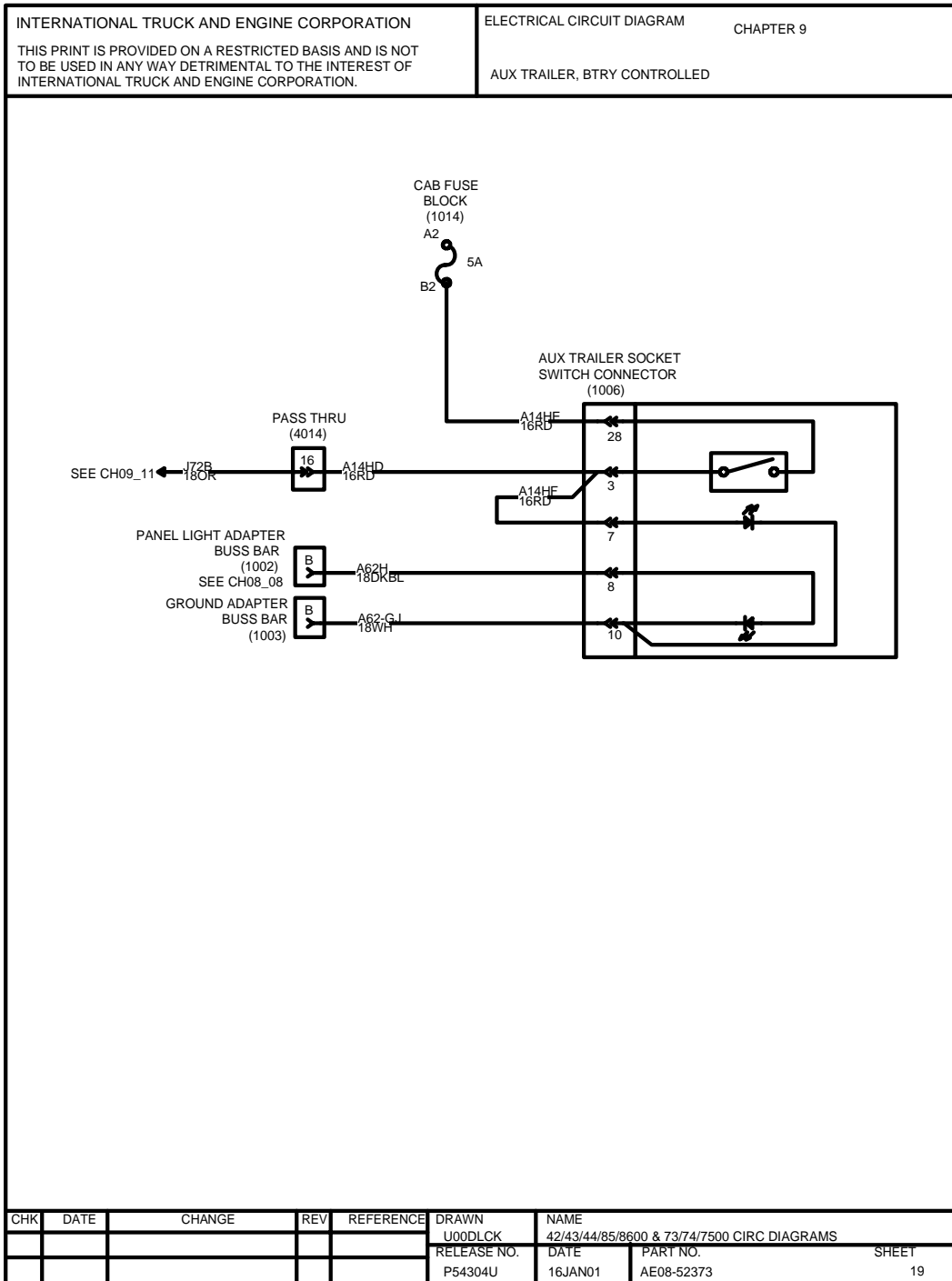


Figure 90 Aux. Trailer, Btry Controlled

10. TRANSMISSIONS (CHAPTER 10)

10.1. ALLISON LCT TRANSMISSION, P. 1

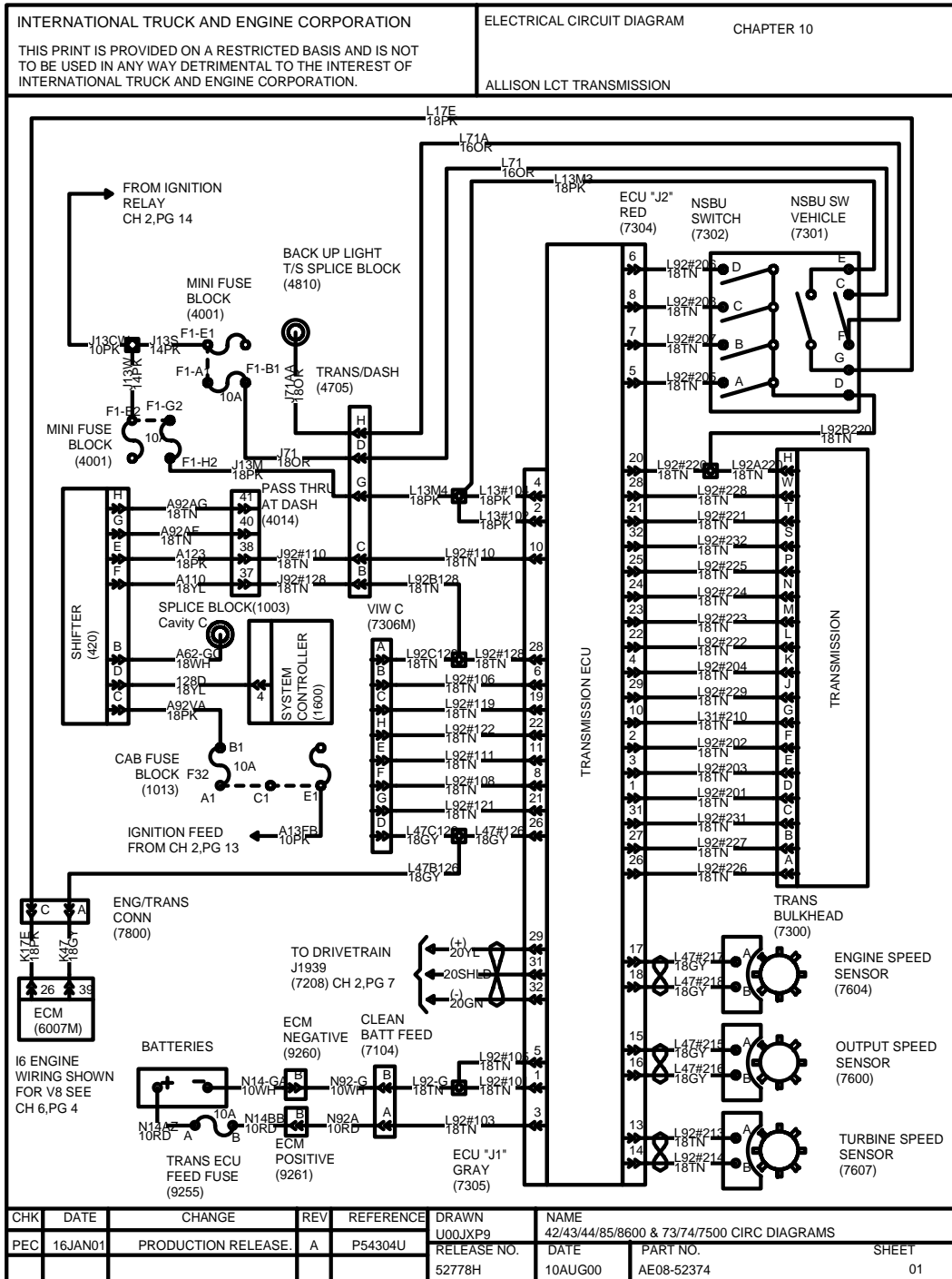


Figure 91 Allison LCT Transmission

10.2. ALLISON MD TRANSMISSION, P. 2

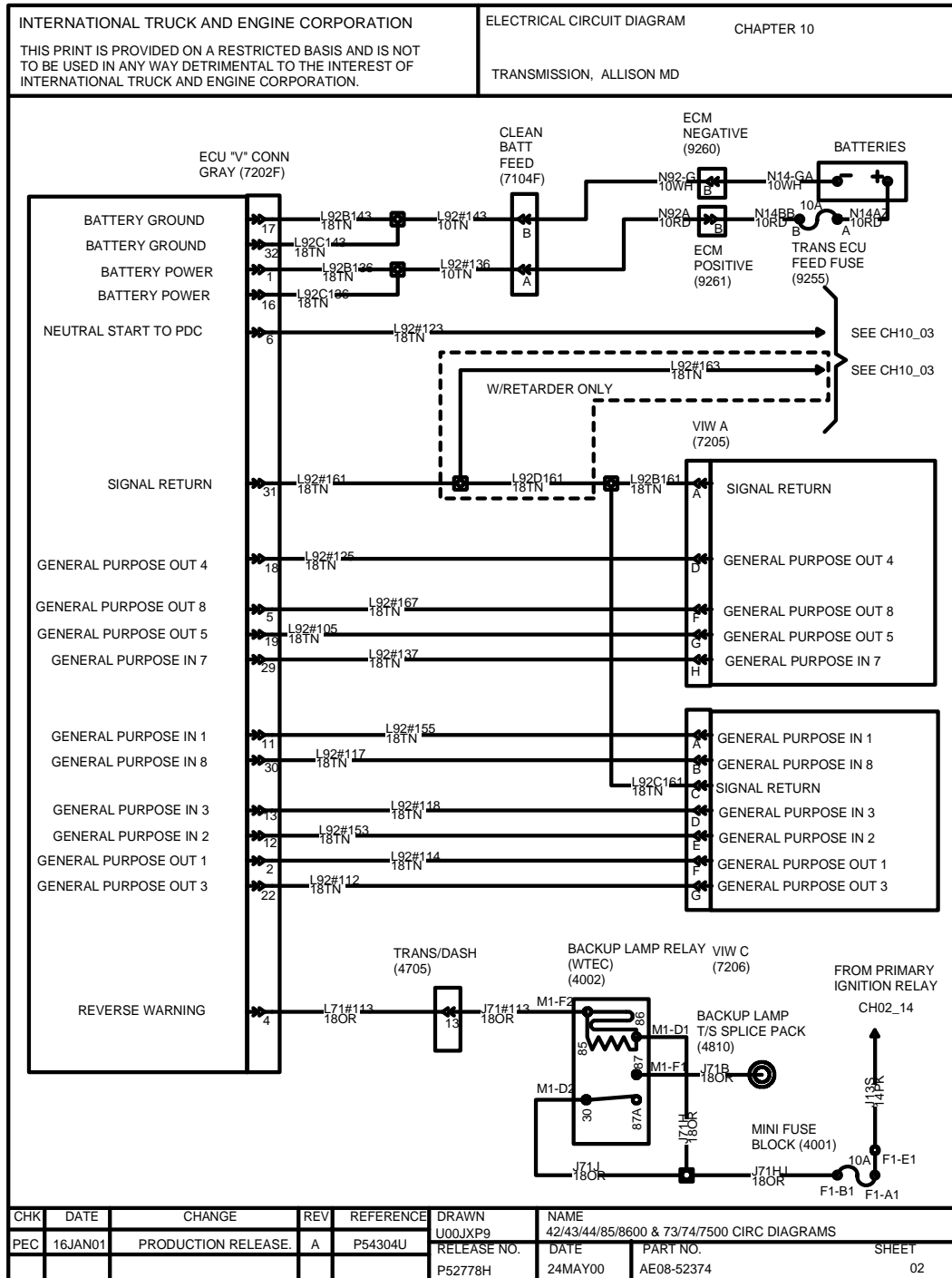


Figure 92 Allison MD Transmission

10.3. ALLISON MD TRANSMISSION (CONT.), P. 3

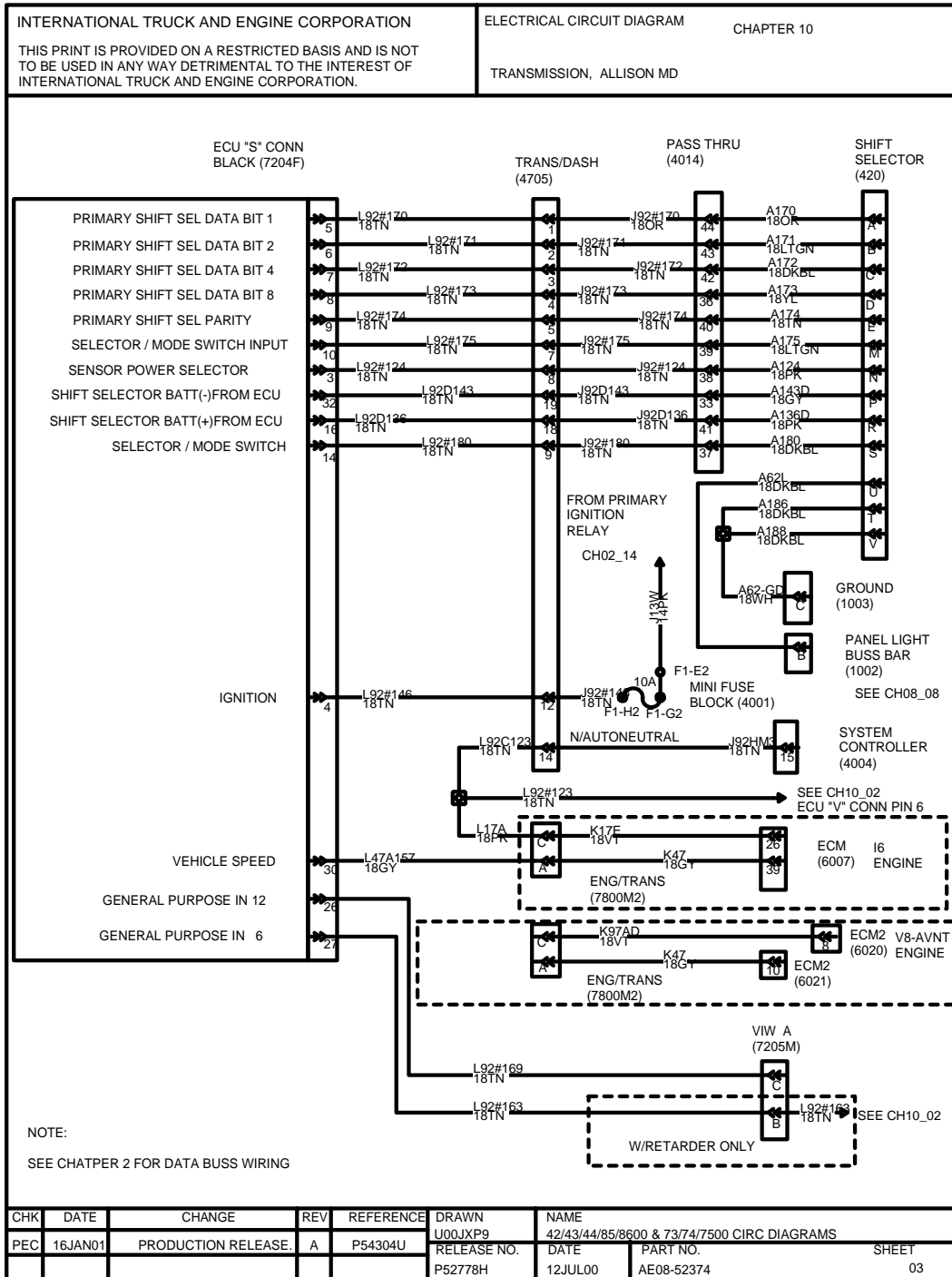


Figure 93 Allison MD Transmission (Cont.)

10.4. ALLISON MD TRANSMISSION (CONT.), P. 4

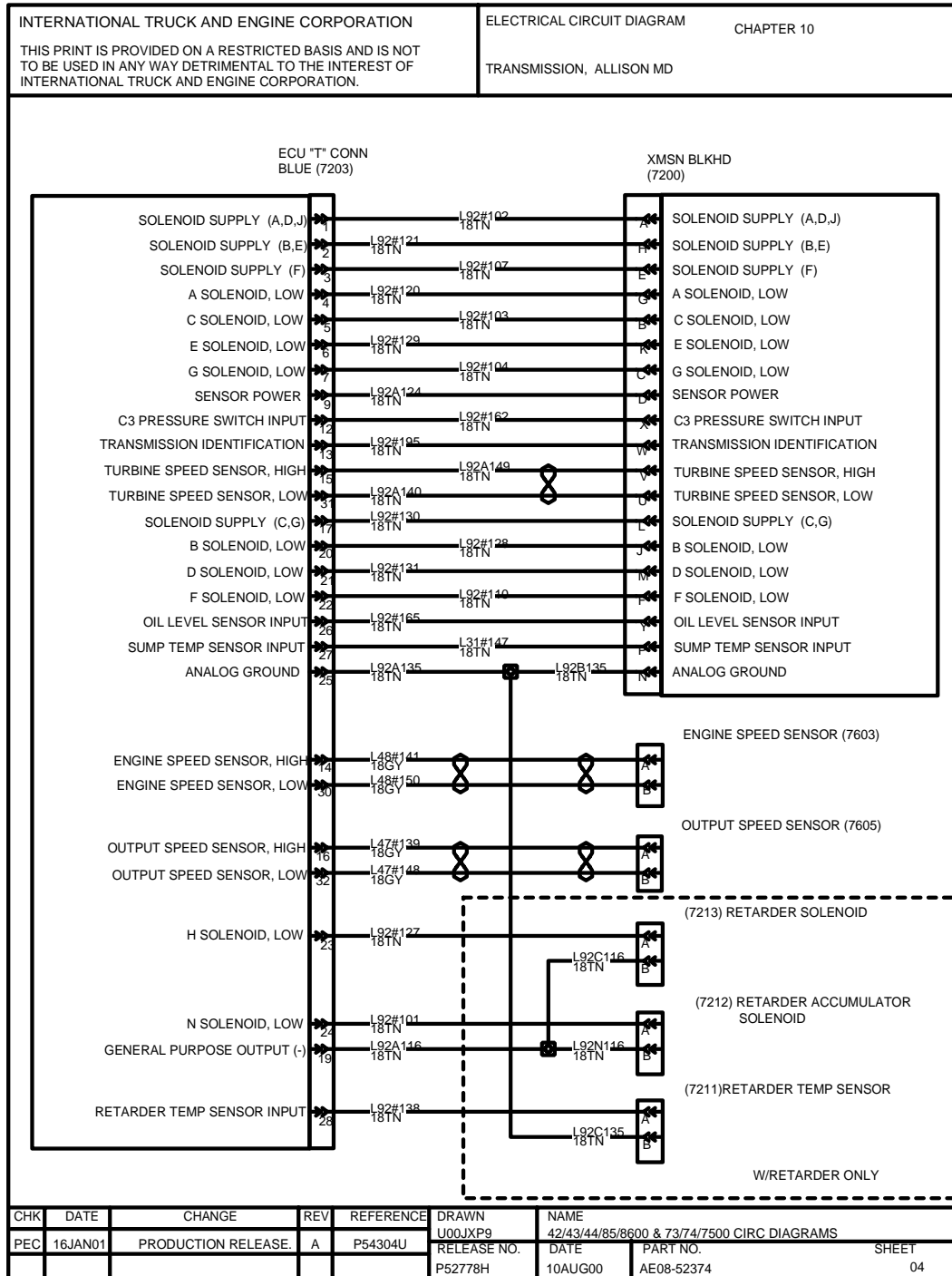


Figure 94 Allison MD Transmission (Cont.)

10.5. TRANSMISSION, WTEC MD W/AUTO NEUTRAL, P. 5

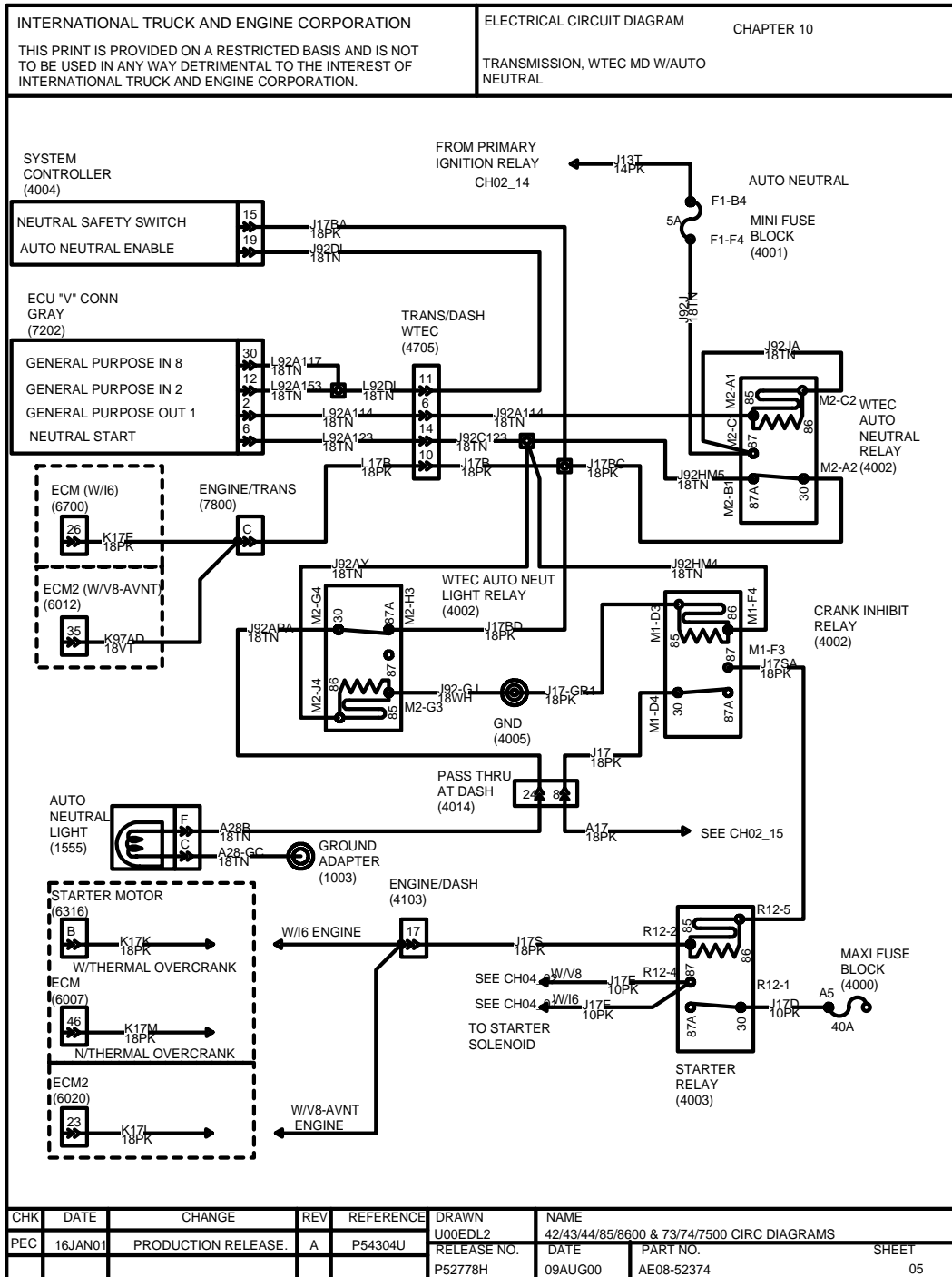


Figure 95 Transmission, WTEC MD W/Auto Neutral

10.6. EATON AUTOSHIFT TRANSMISSION, P. 6

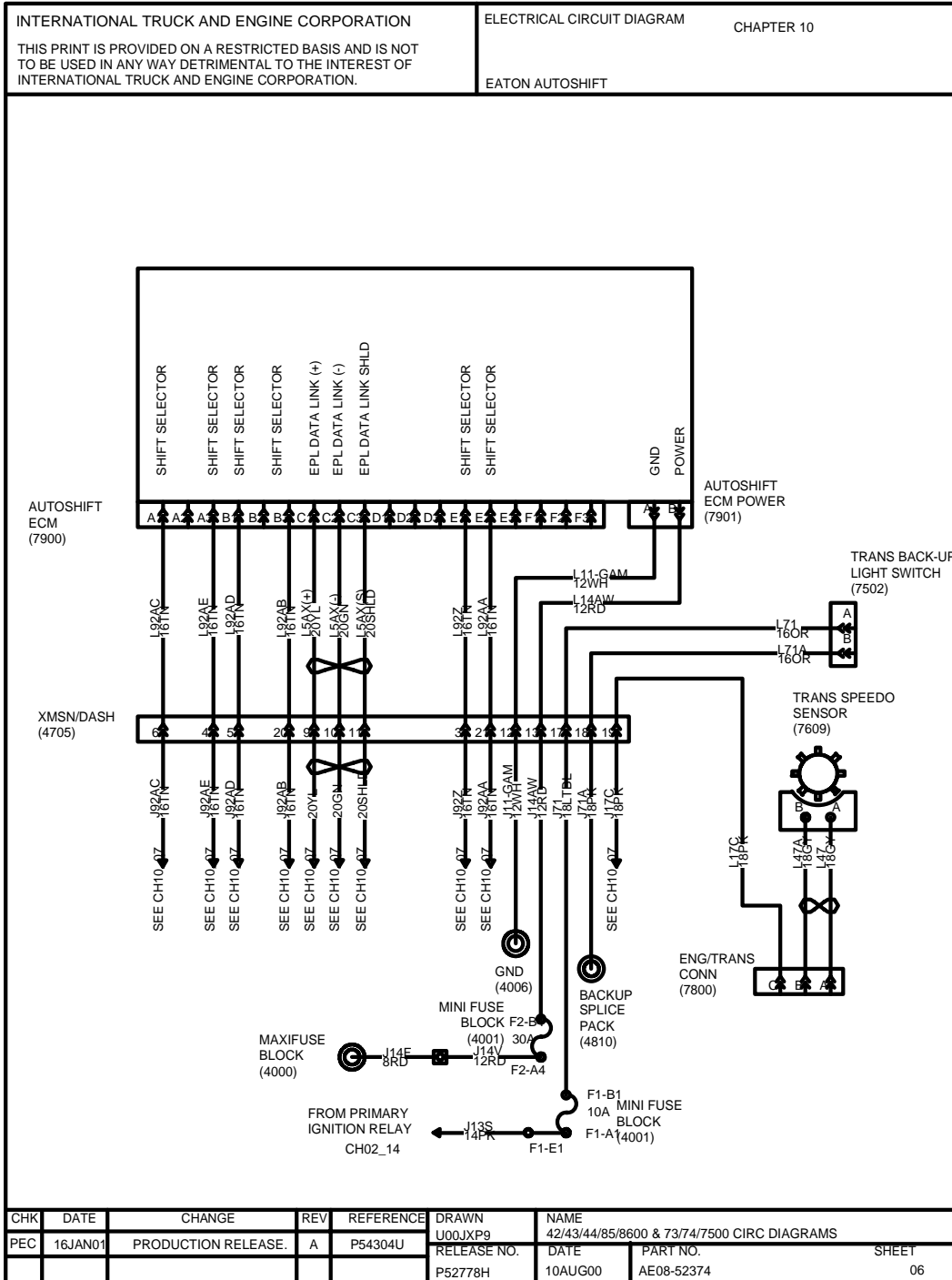


Figure 96 Eaton Autoshift Transmission

10.7. EATON AUTOSHIFT TRANSMISSION (CONT.), P. 7

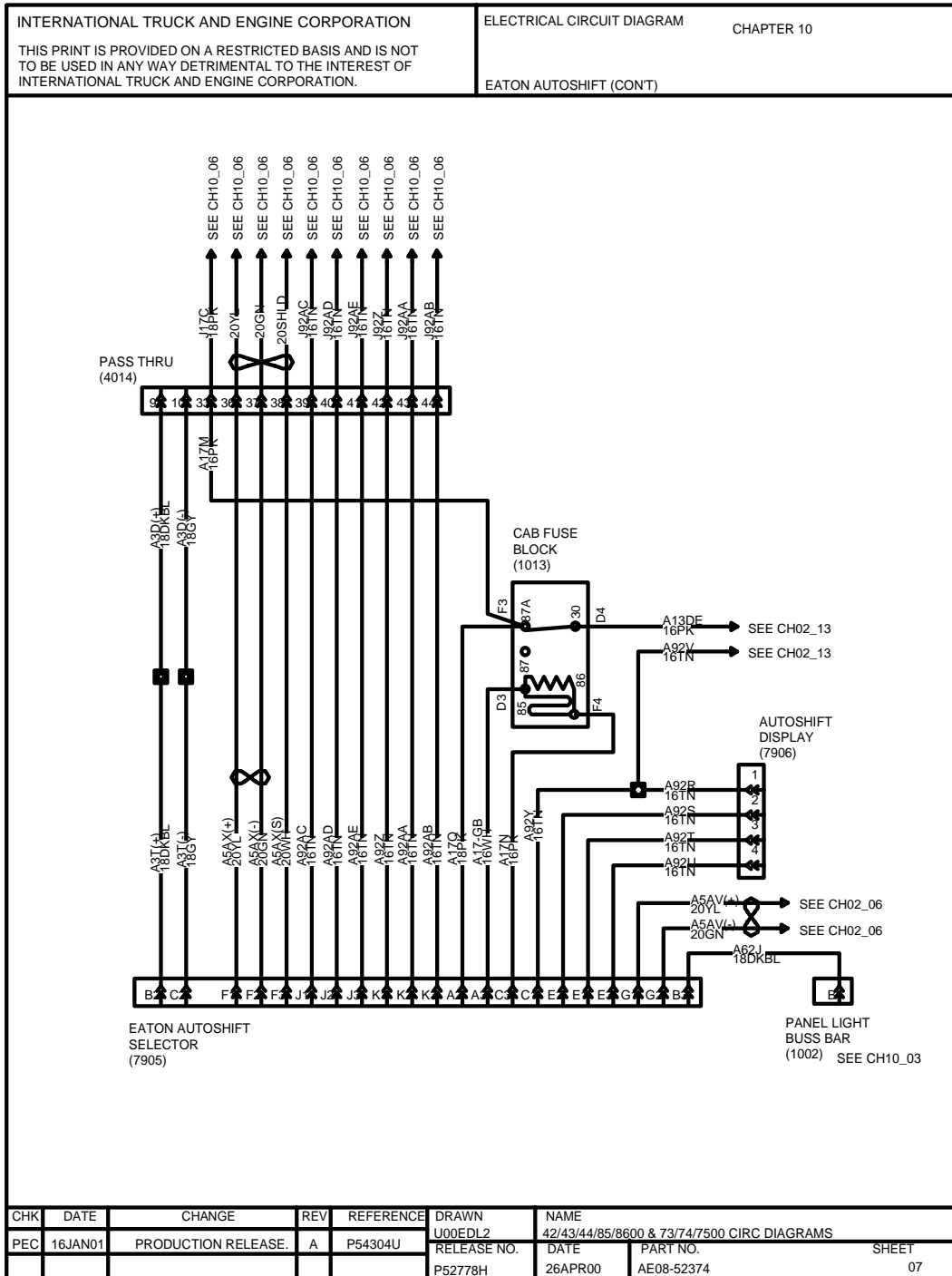


Figure 97 Eaton Autoshift Transmission (Cont.)

11. AIR CONDITIONING (CHAPTER 11)

11.1. HVAC SYSTEMS, P. 1

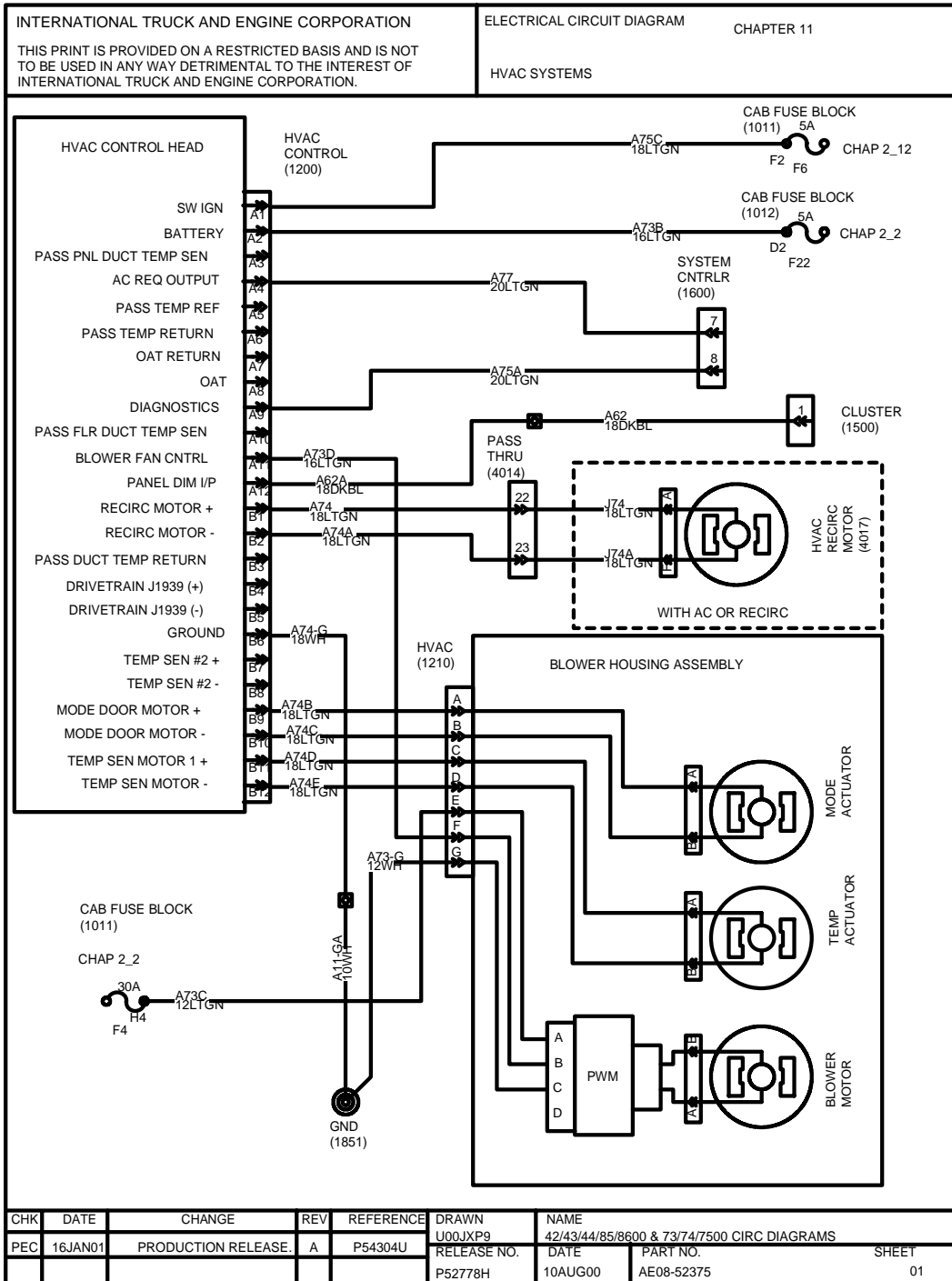


Figure 98 HVAC Systems

11.2. AIR CONDITIONING (ONLY), P. 2

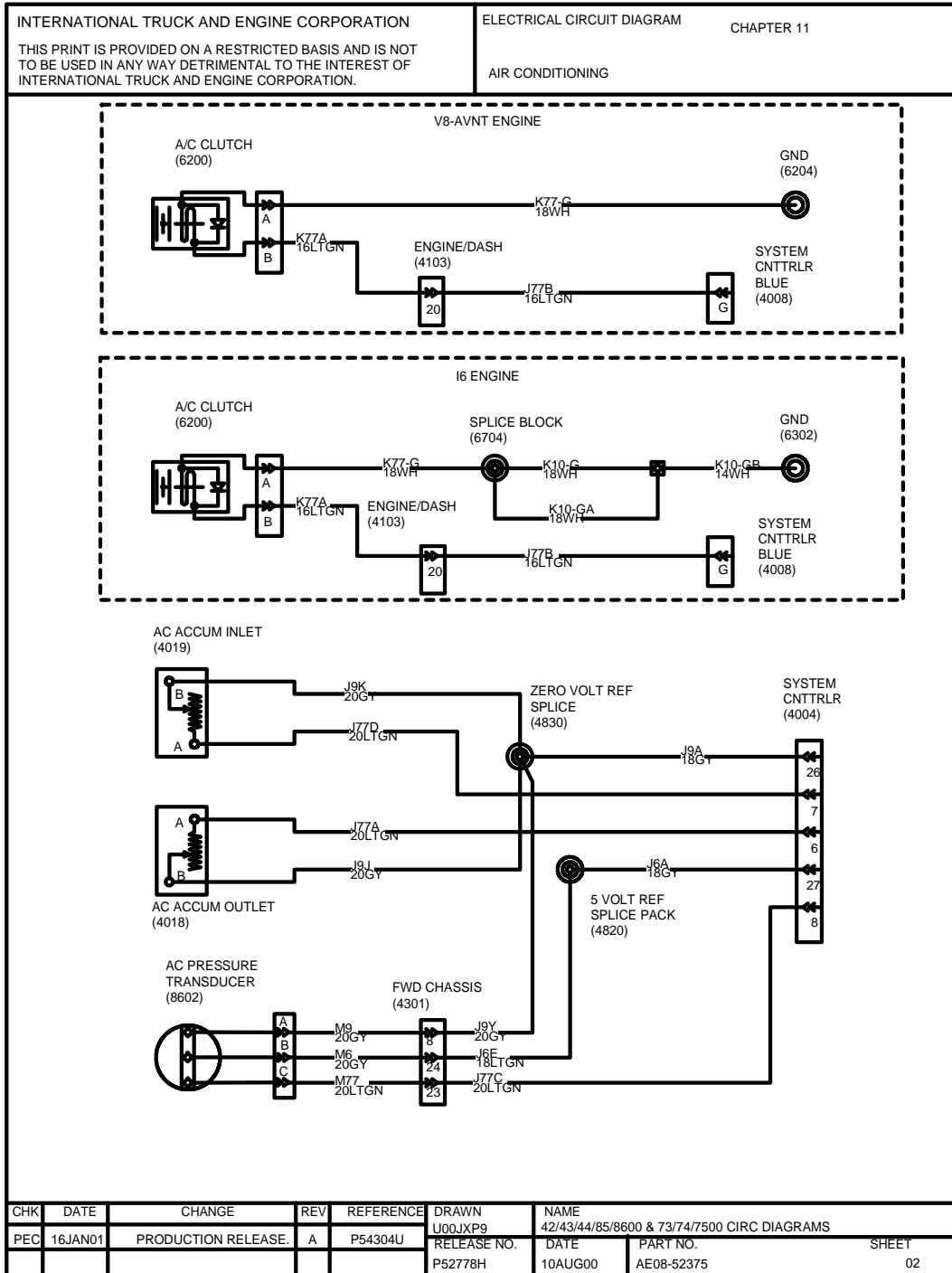


Figure 99 Air Conditioning (Only)

12. CONNECTOR COMPOSITES (CHAPTER 12)

12.1. CONNECTOR COMPOSITES (10), (71), (72), (345), P. 1

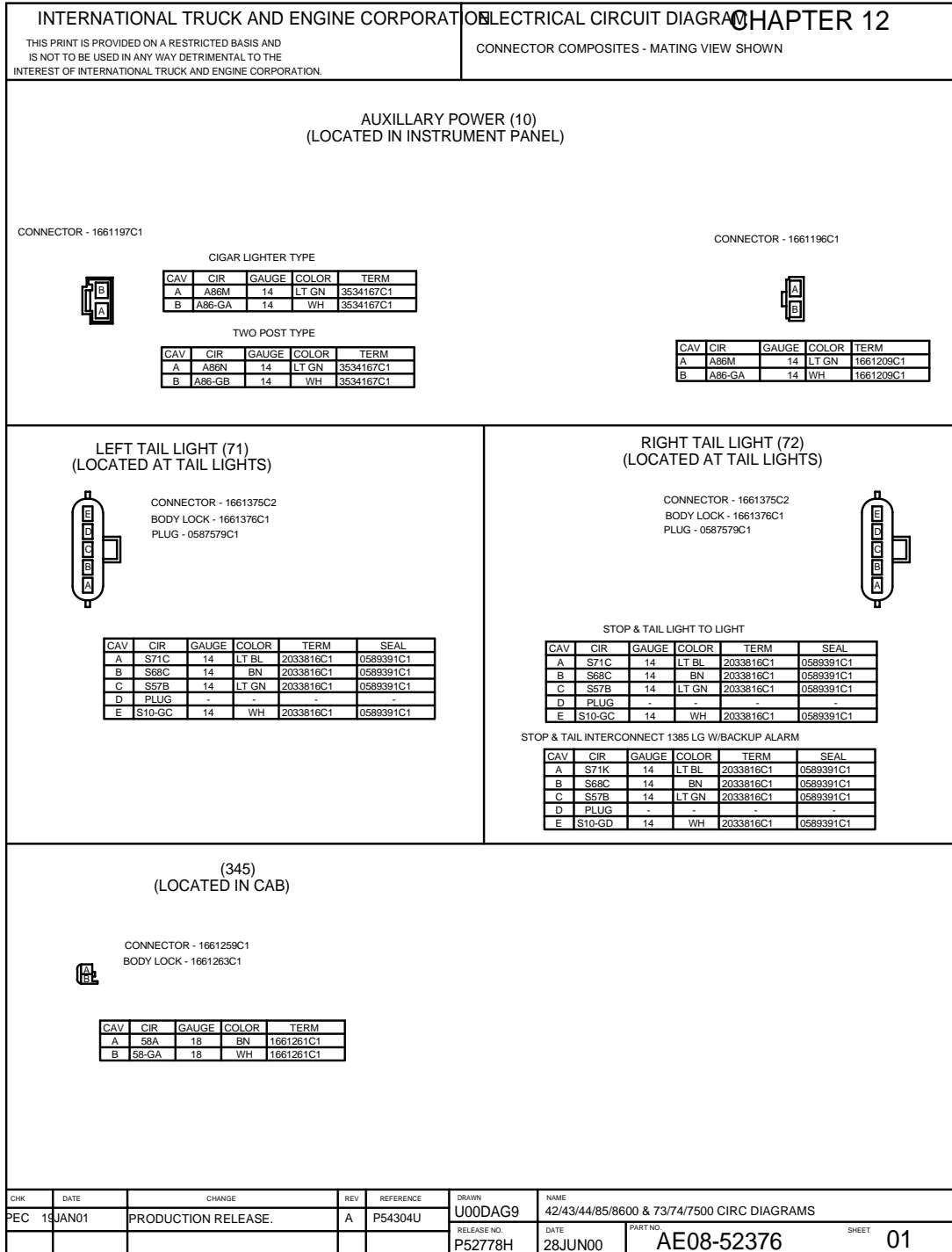


Figure 100 Connector Composites (10), (71), (72), (345)

12.2. CONNECTOR COMPOSITES (420A), (420B), (520), (521), (522), (523), (524), P. 2

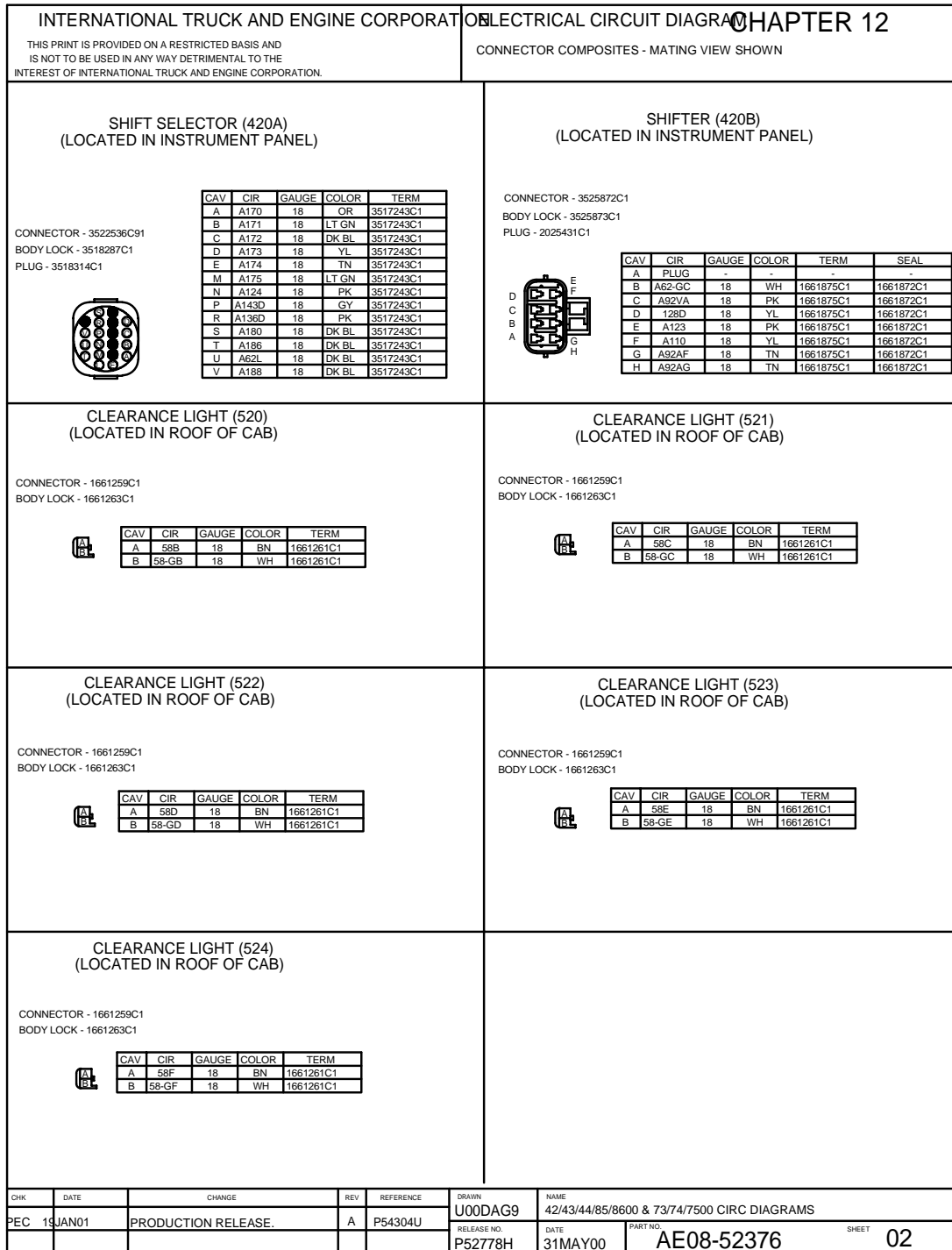


Figure 101 Connector Composites (420A), (420B), (520), (521), (522), (523), (524)

12.3. CONNECTOR COMPOSITES (1002), (1003), (1010), P. 3

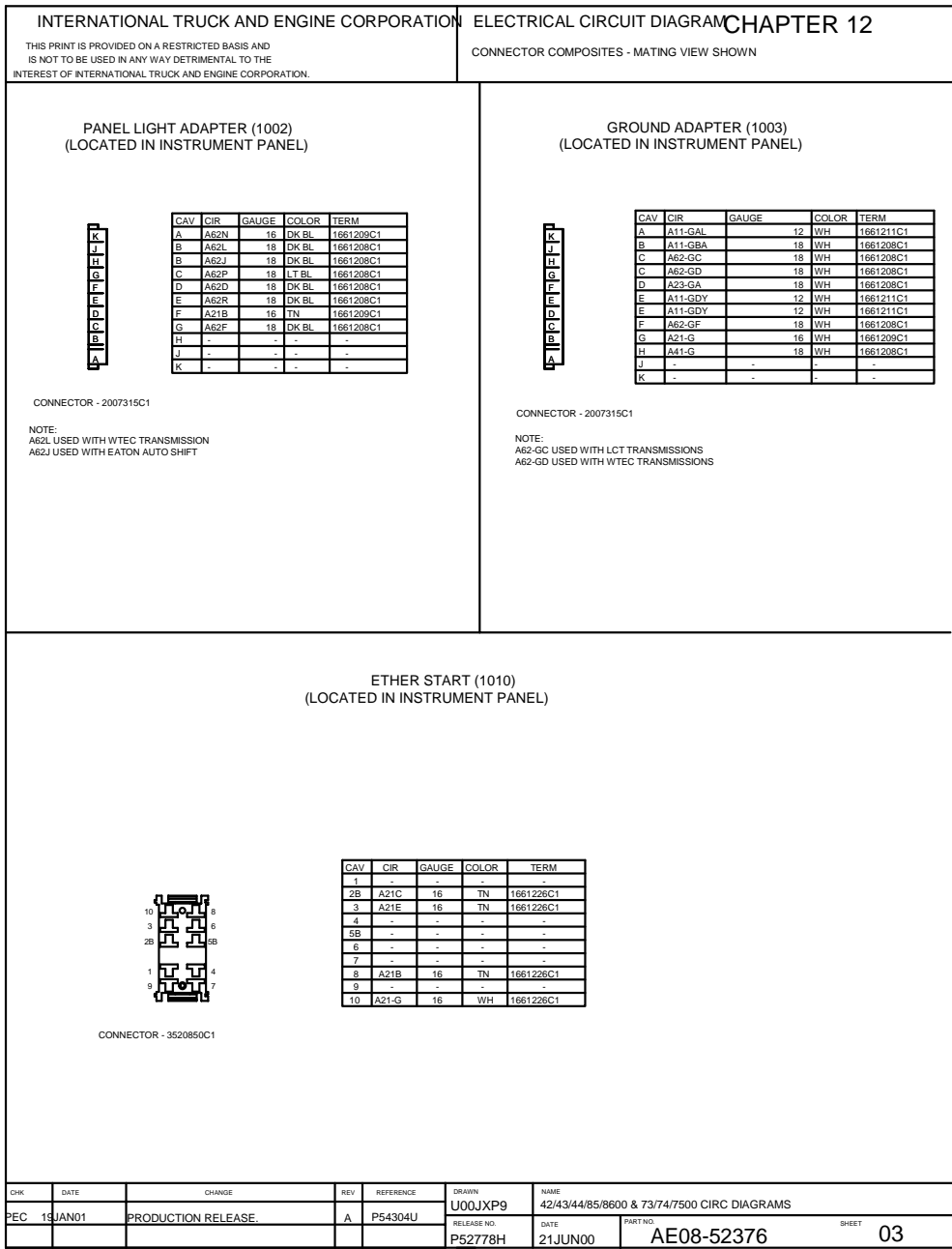


Figure 102 Connector Composites (1002), (1003), (1010)

12.4. CONNECTOR COMPOSITE (1011), P. 4

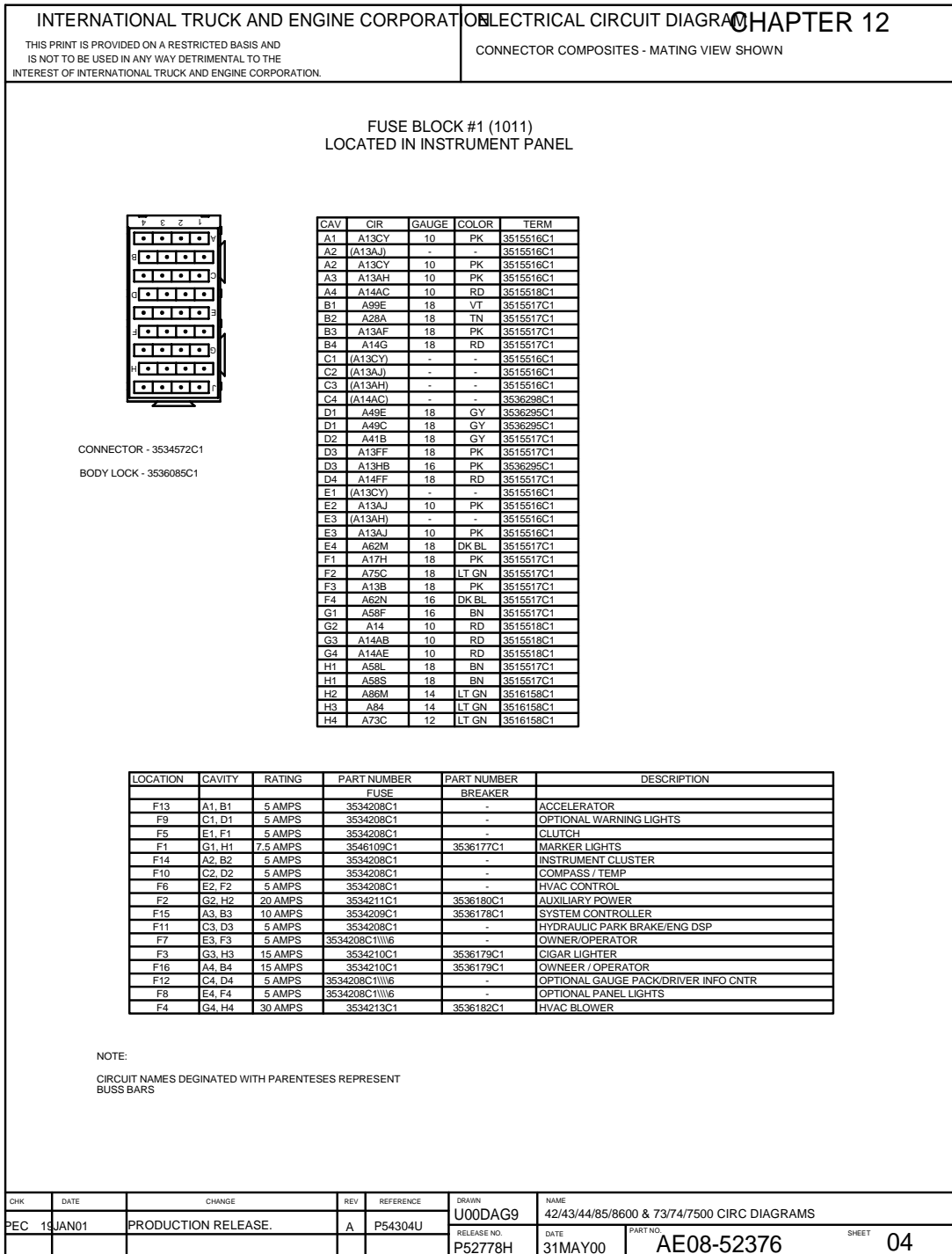


Figure 103 Connector Composite (1011)

12.7. CONNECTOR COMPOSITE (1014), P. 7

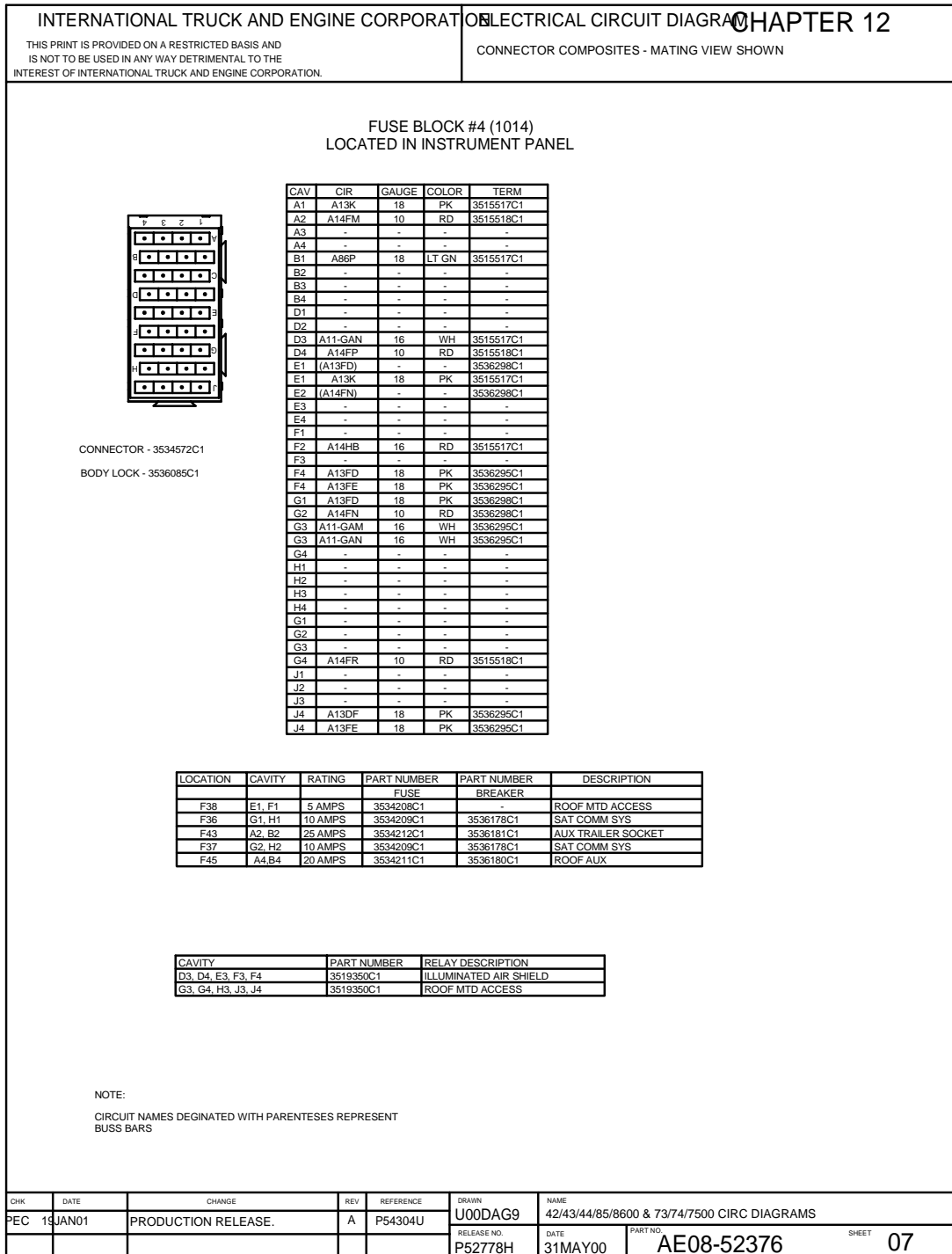


Figure 106 Connector Composite (1014)

12.8. CONNECTOR COMPOSITES (1018), (1100), (1101A), (1101), (1102), P. 8

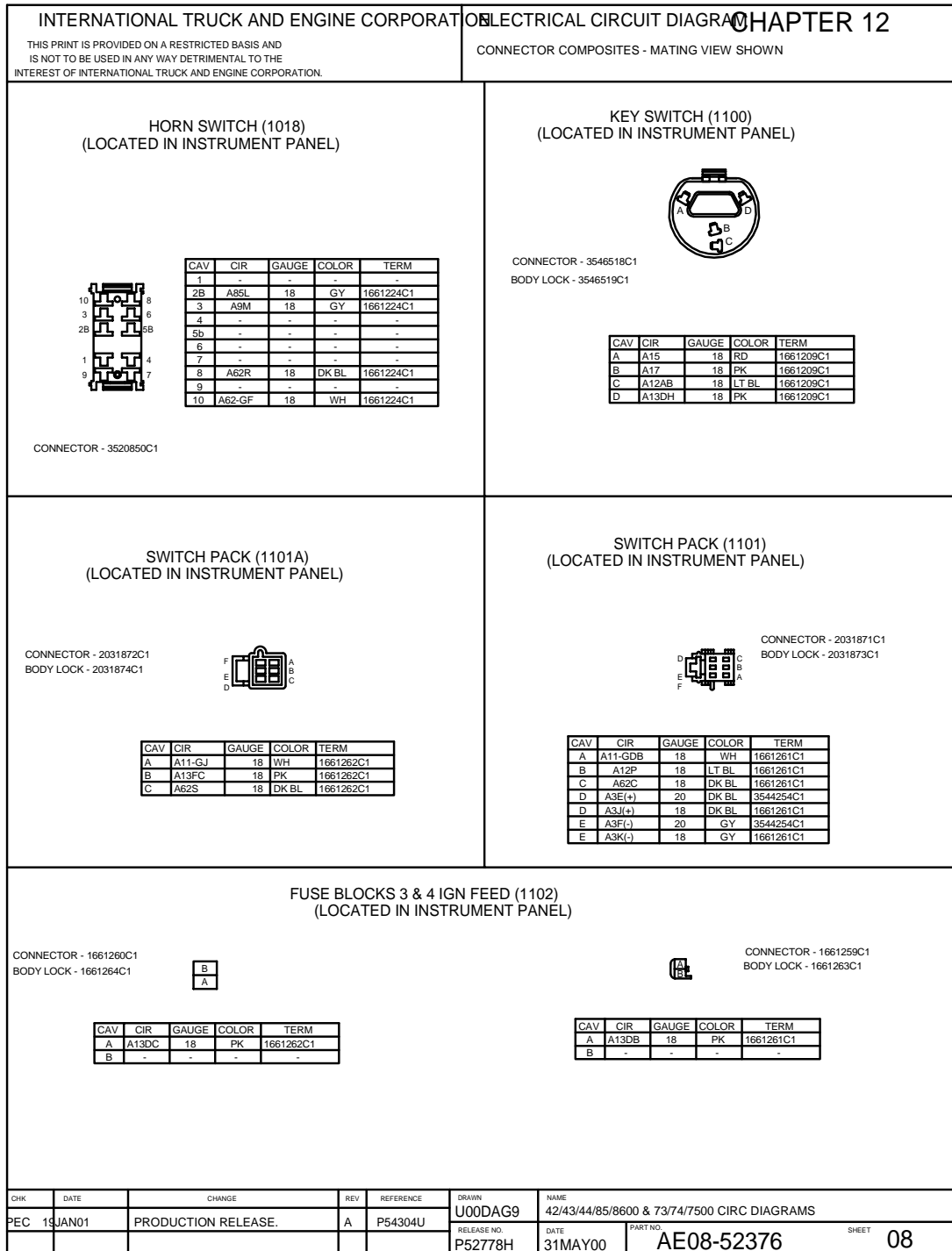


Figure 107 Connector Composites (1018), (1100), (1101A), (1101), (1102)

12.9. CONNECTOR COMPOSITES (1104), (1200), (1210), P. 9

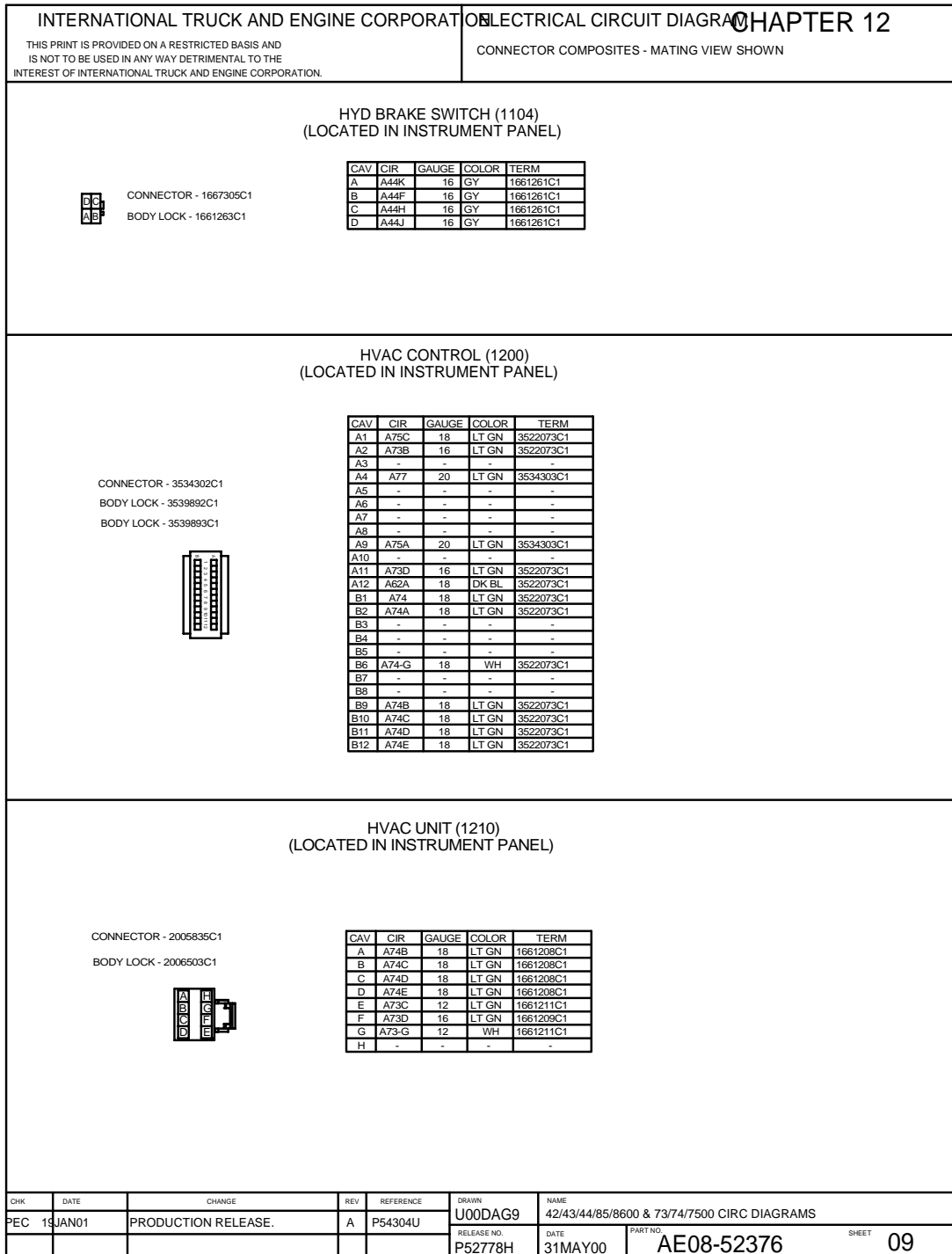


Figure 108 Connector Composites (1104), (1200), (1210)

12.10. CONNECTOR COMPOSITES (1300), (1301), P. 10

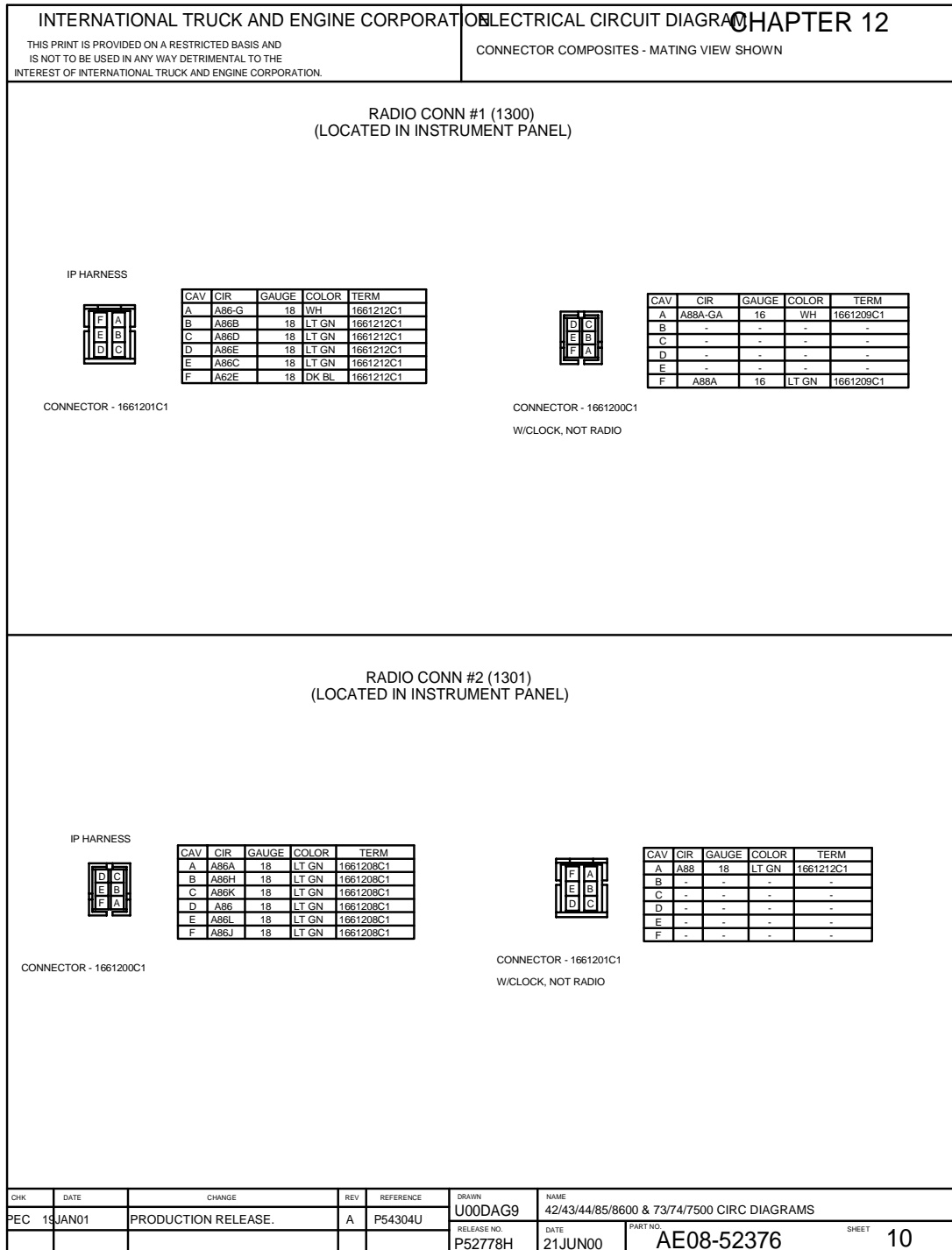


Figure 109 Connector Composites (1300), (1301)

12.11. CONNECTOR COMPOSITES (1350), (1400), (1402), (1500), (1510), (1553), P. 11

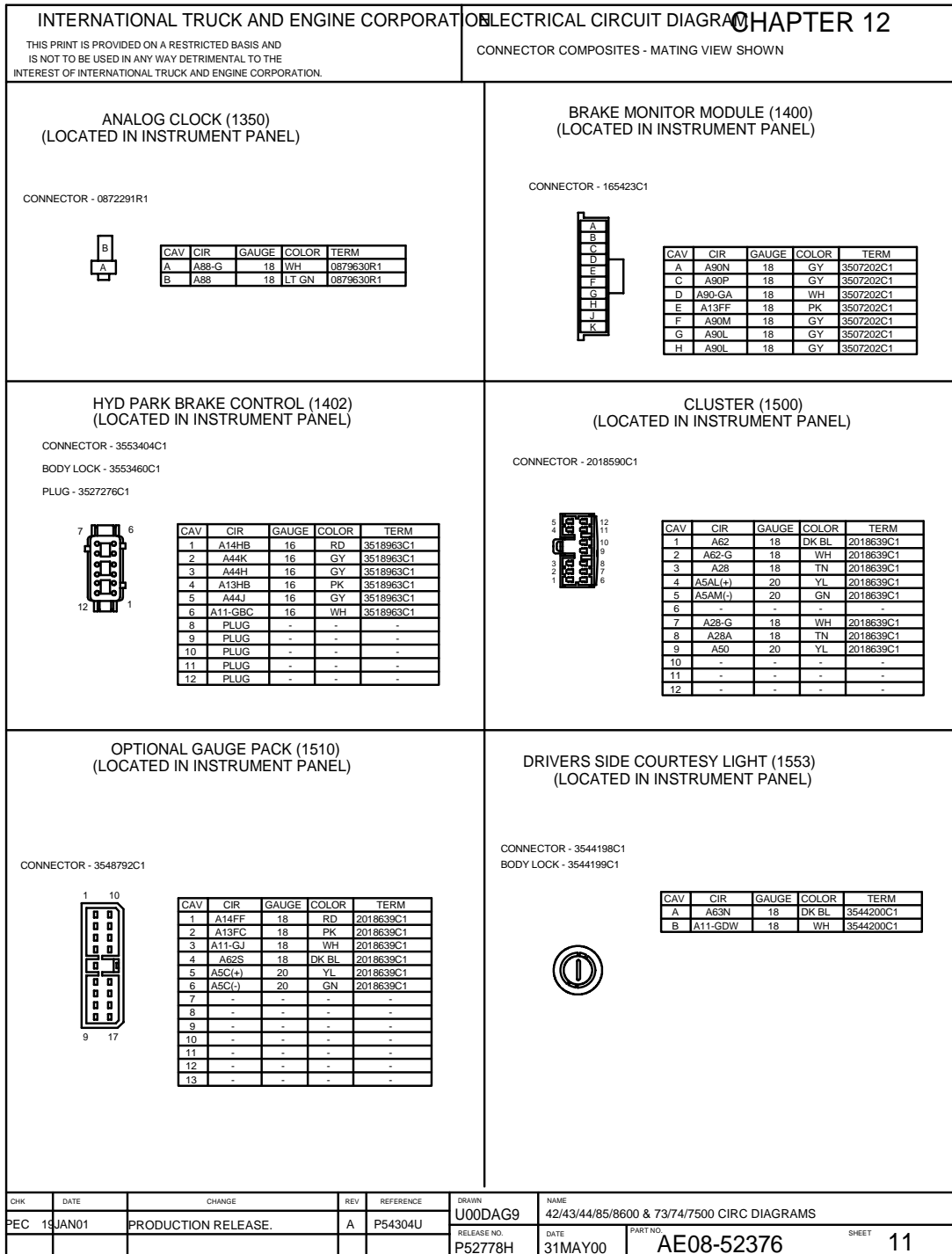


Figure 110 Connector Composites (1350), (1400), (1402), (1500), (1510), (1553)

12.12. CONNECTOR COMPOSITES (1554F), (1555), (1600), (1601), (1650), (1652), P. 12

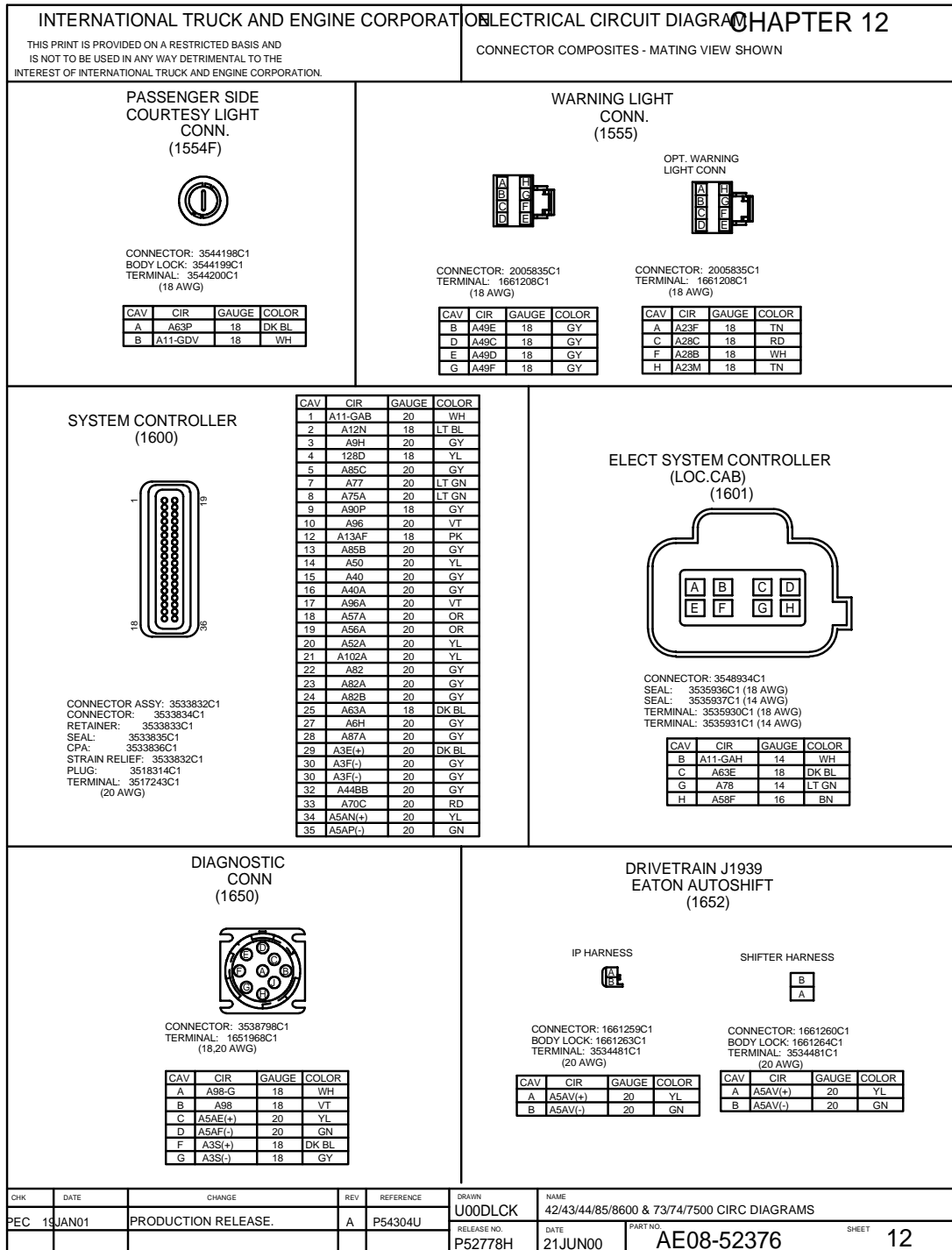


Figure 111 Connector Composites (1554F), (1555), (1600), (1601), (1650), (1652)

12.14. CONNECTOR COMPOSITES (1807), (1808), (1809), (1810), (1811), (1812), (1813), (1814), (1815), (1820), (1822), (1823), (1824), (1860), (1861), (1901M), P. 14

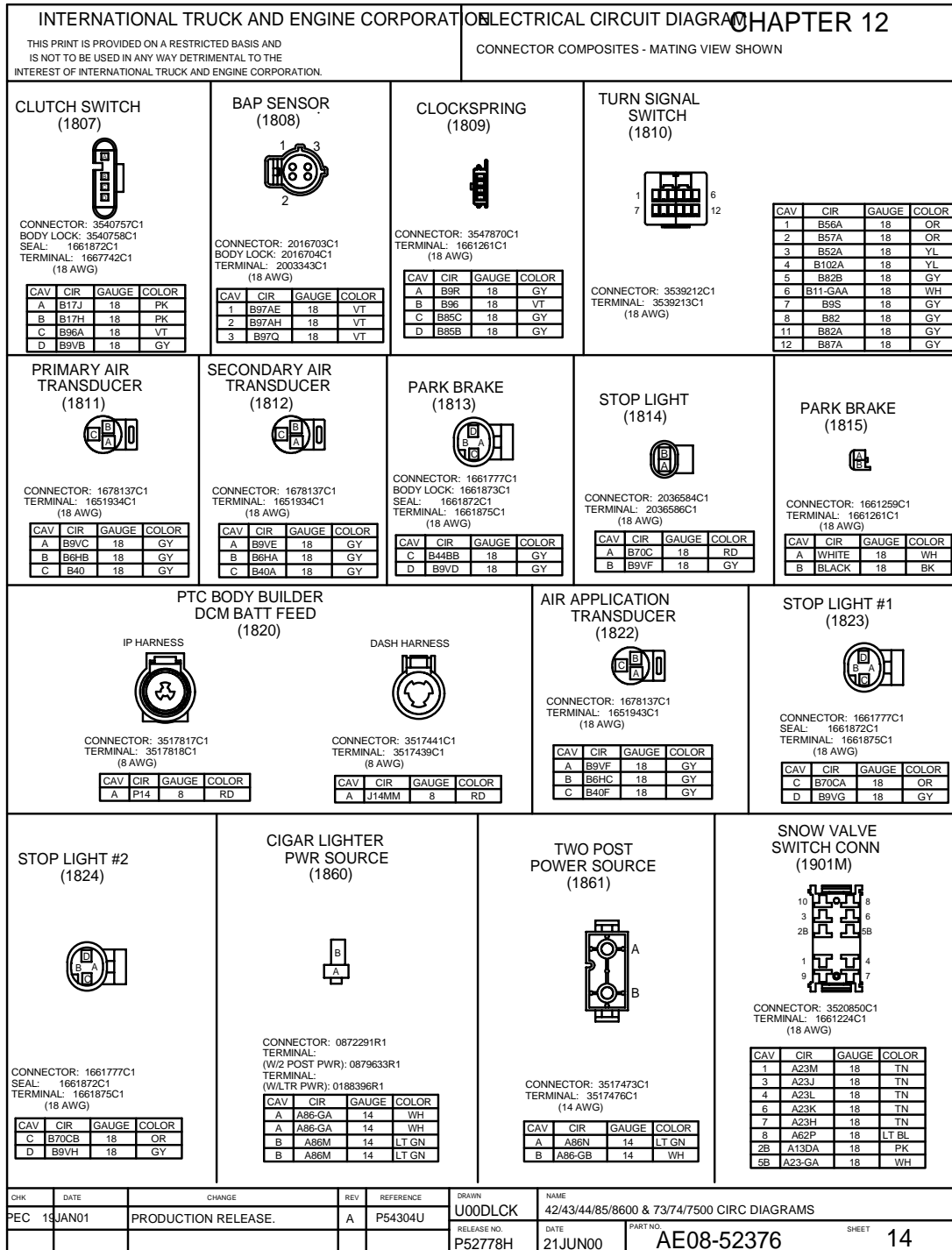


Figure 113 Connector Composites (1807), (1808), (1809), (1810), (1811), (1812), (1813), (1814), (1815), (1820), (1822), (1823), (1824), (1860), (1861), (1901M)

12.15. CONNECTOR COMPOSITES (2000), (2002M), (2003M), (2004M), (2005M), (2006M), (2007F), (2111M), (2112M), (2113M), (2114M), (2115M), (2116M), (2117M), (2301M), P. 15

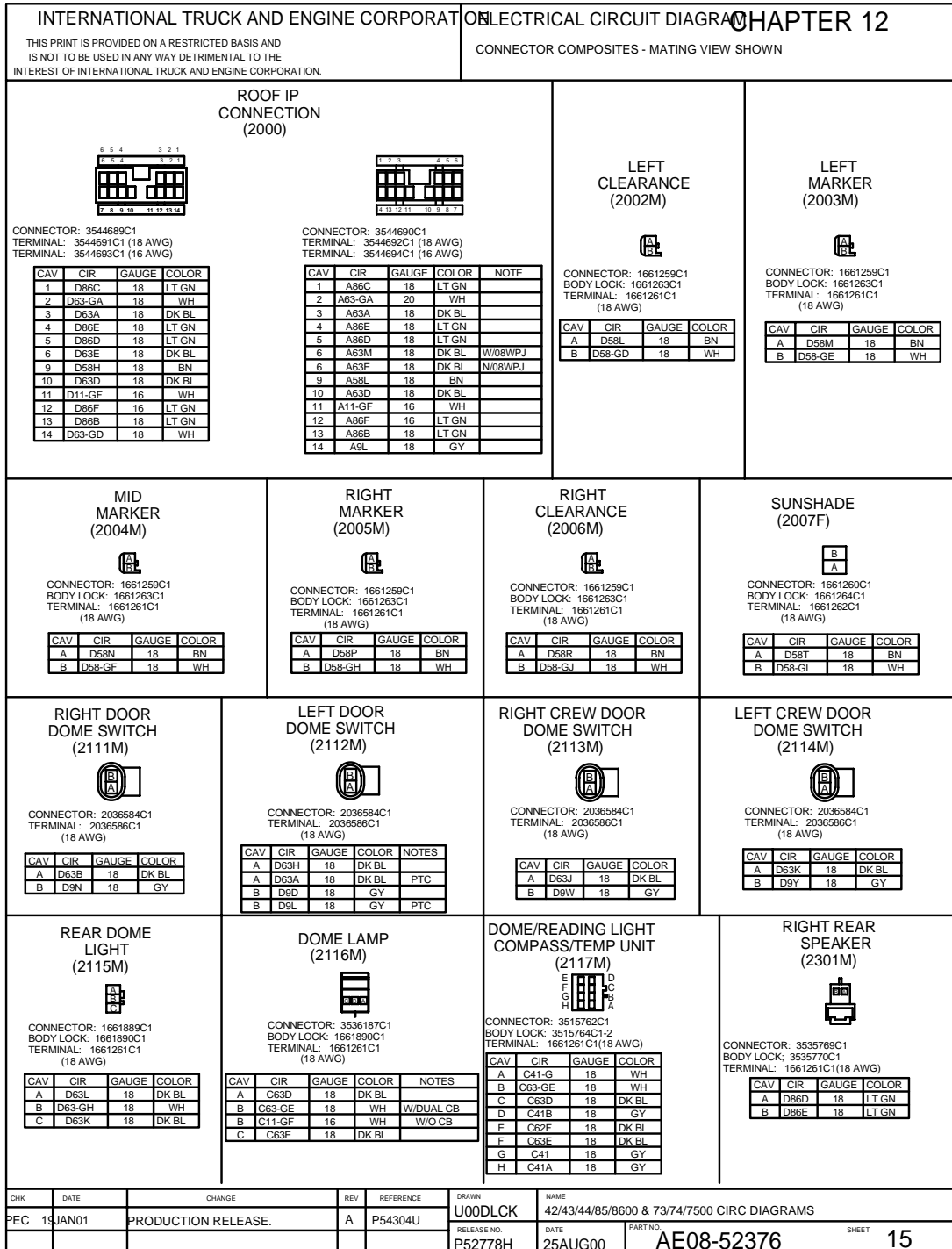


Figure 114 Connector Composites (2000), (2002M), (2003M), (2004M), (2005M), (2006M), (2007F), (2111M), (2112M), (2113M), (2114M), (2115M), (2116M), (2117M), (2301M)

12.16. CONNECTOR COMPOSITES (2302M), (2303M), (2304M), (2305M), (2306M), (2307F), (2308F), (2502F, M) (2503F, M), (2600F, M), (2601M, F), (2602M, F), P. 16

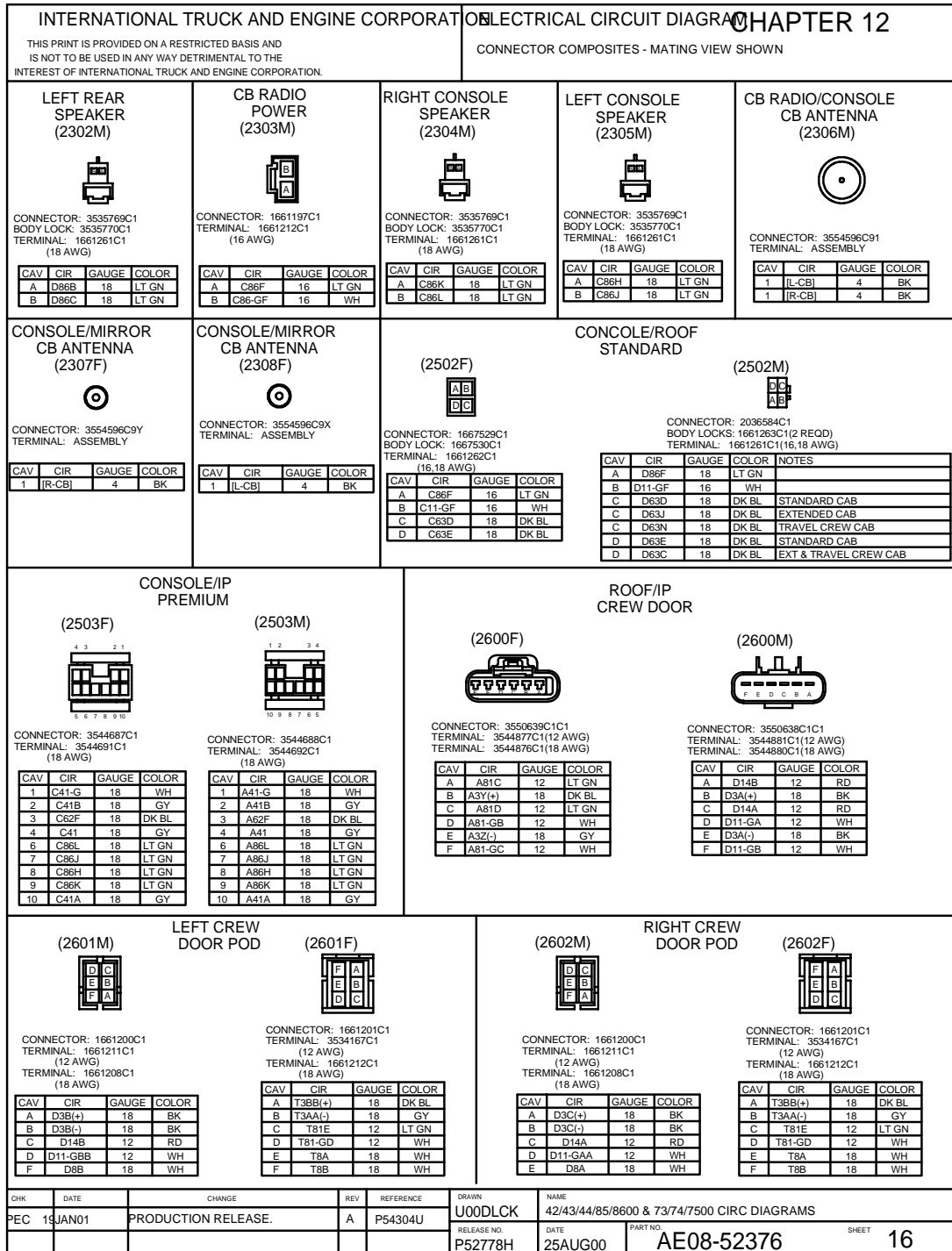


Figure 115 Connector Composites (2302M), (2303M), (2304M), (2305M), (2306M), (2307F), (2308F), (2502F, M), (2503F, M), (2600F, M), (2601M, F), (2602M, F)

12.17. CONNECTOR COMPOSITES (3000M), (3000F), (3002M), (3003), (3100M), (3200F, M), (3201M), (3202), (3203M), (3204M, F), P. 17

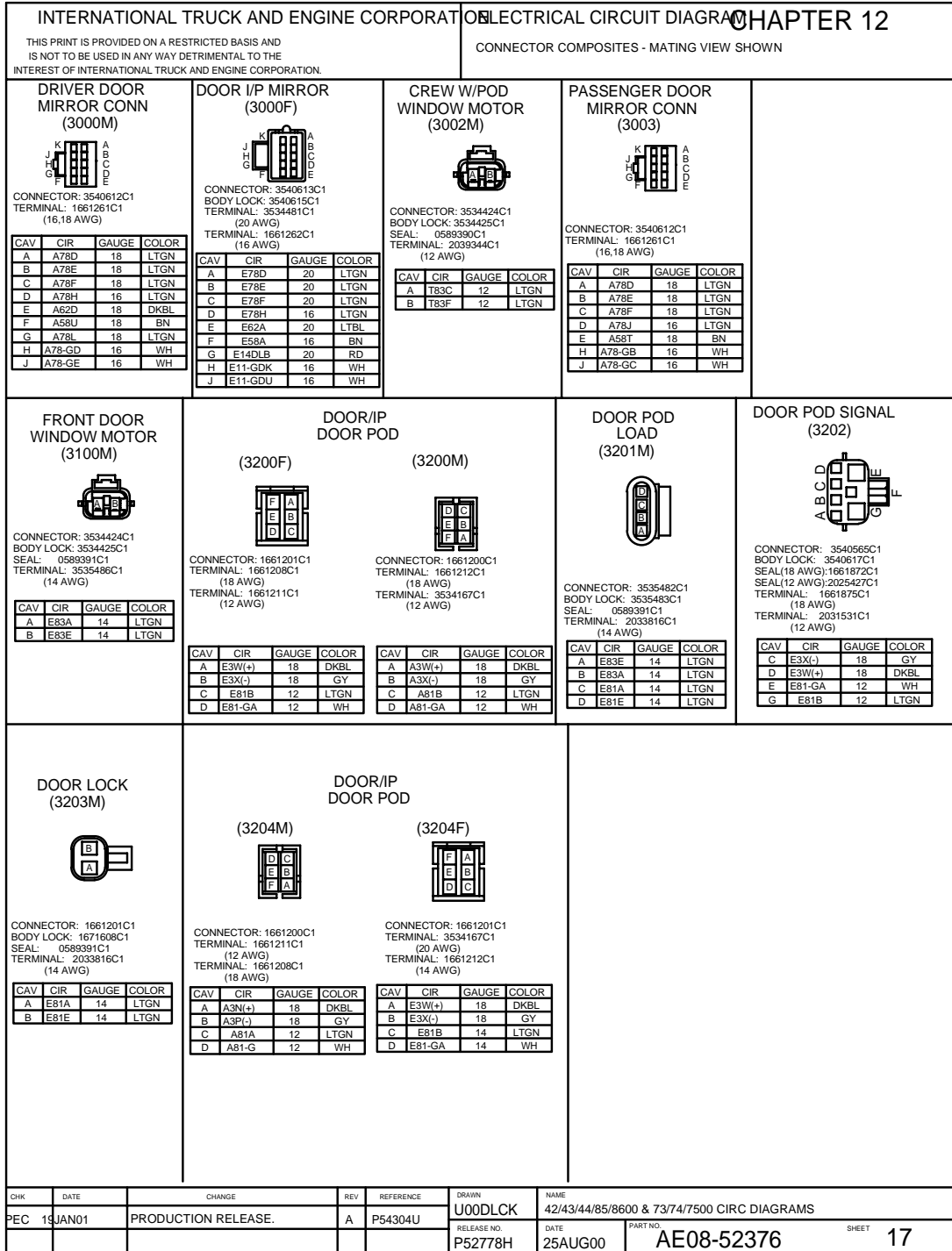


Figure 116 Connector Composites (3000M), (3000F), (3002M), (3003), (3100M), (3200F, M), (3201M), (3202), (3203M), (3204M, F)

12.18. CONNECTOR COMPOSITES (3209), (3210M), (3211M), (4000), (4001), P. 18

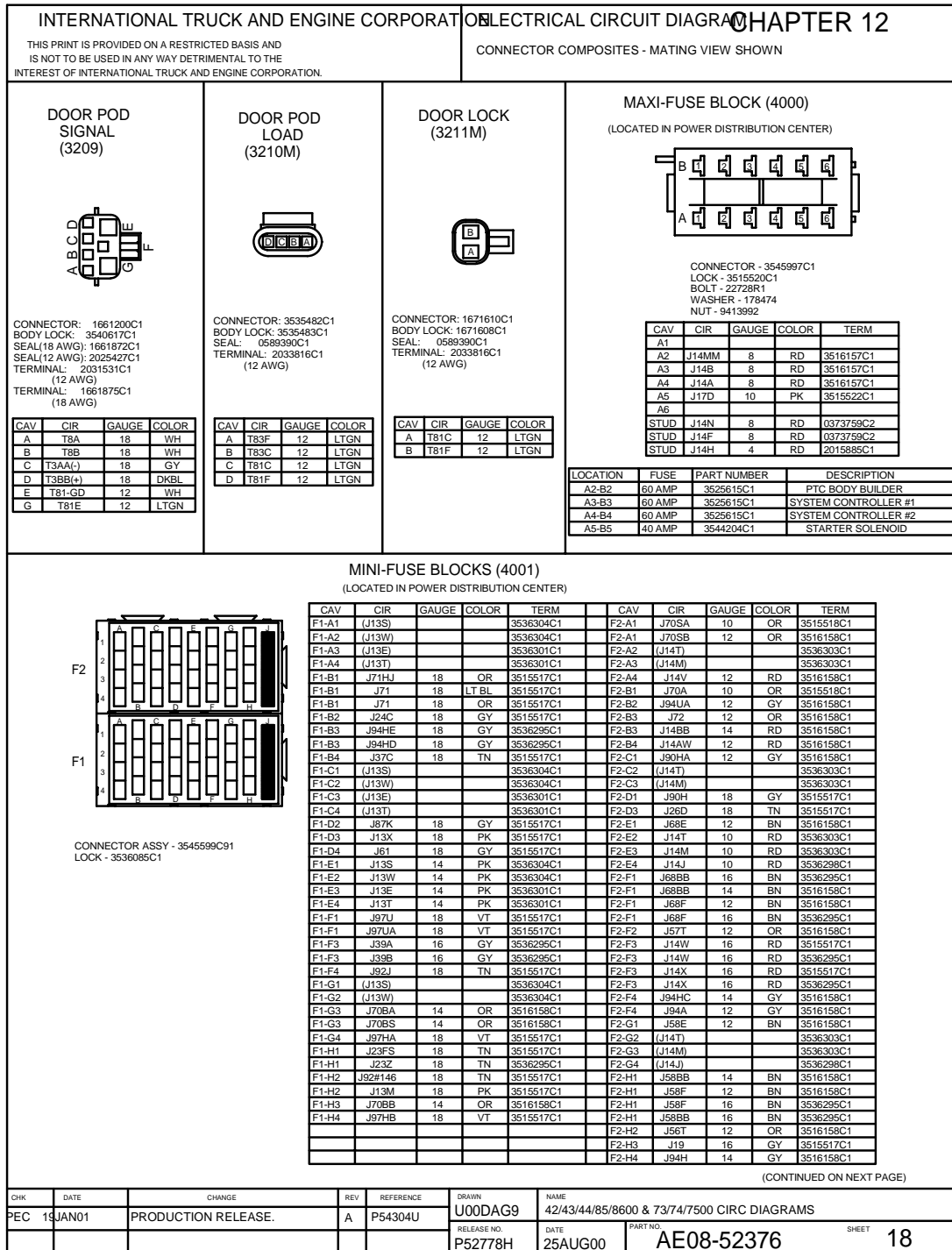


Figure 117 Connector Composites (3209), (3210M), (3211M), (4000), (4001)

12.19. CONNECTOR COMPOSITES (4001), (4002), P. 19

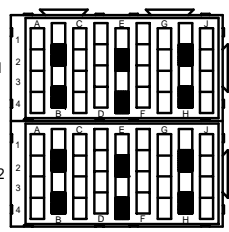
INTERNATIONAL TRUCK AND ENGINE CORPORATION				ELECTRICAL CIRCUIT DIAGRAM CHAPTER 12																																																																																																																																																																																																																																																																																																																																																																																																																																																																													
THIS PRINT IS PROVIDED ON A RESTRICTED BASIS AND IS NOT TO BE USED IN ANY WAY DETRIMENTAL TO THE INTEREST OF INTERNATIONAL TRUCK AND ENGINE CORPORATION.				CONNECTOR COMPOSITES - MATING VIEW SHOWN																																																																																																																																																																																																																																																																																																																																																																																																																																																																													
<p>MINI-FUSE BLOCKS (4001) (CONTINUED FROM PREVIOUS PAGE)</p> <table border="1" style="width:100%; border-collapse: collapse; font-size: x-small;"> <thead> <tr> <th>LOCATION</th><th>FUSE</th><th>PART NUMBER</th><th>DESCRIPTION</th><th>LOCATION</th><th>FUSE</th><th>PART NUMBER</th><th>DESCRIPTION</th></tr> </thead> <tbody> <tr><td>F1-A1&B1</td><td>10 AMP</td><td>3534209C1</td><td>BACK UP LAMPS</td><td>F2-A1&B1</td><td>30 AMP</td><td>3534213C1</td><td>TRAILER STOP LAMPS</td></tr> <tr><td>F1-C1&D1</td><td>-</td><td>-</td><td>-</td><td>F2-C1&D1</td><td>5 AMP</td><td>3534208C1</td><td>HYDRAMAX SENSE</td></tr> <tr><td>F1-E1&F1</td><td>5 AMP</td><td>3534208C1</td><td>ENGINE IGN</td><td>F2-E1&F1</td><td>20 AMP</td><td>3534211C1</td><td>TRAILER/BODY TAIL LAMPS</td></tr> <tr><td>F1-G1&H1</td><td>10 AMP</td><td>3534209C1</td><td>FAN SOLENOID</td><td>F2-G1&H1</td><td>20 AMP</td><td>3534211C1</td><td>TRAILER/BODY MARKER LAMPS</td></tr> <tr><td>F1-I1&J1</td><td>5 AMP</td><td>3534208C1</td><td>FAN CLUTCH</td><td>F2-A2&B2</td><td>30 AMP</td><td>3534213C1</td><td>TRAILER ABS</td></tr> <tr><td>F1-K2&L2</td><td>5 AMP</td><td>3534208C1</td><td>EXHAUST BRAKE</td><td>F2-C2&D2</td><td>-</td><td>-</td><td>-</td></tr> <tr><td>F1-M2&N2</td><td>-</td><td>-</td><td>-</td><td>F2-E2&F2</td><td>15 AMP</td><td>3534210C1</td><td>TRAILER RIGHT TURNS</td></tr> <tr><td>F1-O2&P2</td><td>10 AMP</td><td>3534209C1</td><td>XMSN IGN/NEUTRAL</td><td>F2-G2&H2</td><td>15 AMP</td><td>3534210C1</td><td>TRAILER LEFT TURNS</td></tr> <tr><td>F1-Q2&R2</td><td>5 AMP</td><td>3534208C1</td><td>HYD ABS ECU IGN</td><td>F2-A3&B3</td><td>25 AMP</td><td>3534212C1</td><td>TRAILER AUX/BODY BUILDER ACC</td></tr> <tr><td>F1-S2&T2</td><td>10 AMP</td><td>3534209C1</td><td>IGNITION</td><td>F2-A3&B3</td><td>20 AMP</td><td>3534212C1</td><td>BODY BUILDER ACC</td></tr> <tr><td>F1-U2&V2</td><td>20 AMP</td><td>3534211C1</td><td>AIR DRYER/DRAIN VALVE</td><td>F2-C3&D3</td><td>5 AMP</td><td>3534208C1</td><td>PAM MODULE</td></tr> <tr><td>F1-W2&X2</td><td>15 AMP</td><td>3534210C1</td><td>BODY BUILDER STOP LAMPS</td><td>F2-E3&F3</td><td>5 AMP</td><td>3534208C1</td><td>REMOTE POWER MODULES</td></tr> <tr><td>F1-Y2&Z2</td><td>10 AMP</td><td>3534209C1</td><td>FUEL TRANSFER PUMP</td><td>F2-G3&H3</td><td>20 AMP</td><td>3534211C1</td><td>FUEL HEATER</td></tr> <tr><td>F1-AA2&AB2</td><td>5 AMP</td><td>3534208C1</td><td>AIR SUSPENSION</td><td>F2-AA&BA</td><td>30 AMP</td><td>3534213C1</td><td>AUTOSHIFT XMSN</td></tr> <tr><td>F1-AC2&AD2</td><td>5 AMP</td><td>3534208C1</td><td>AUTO NEUTRAL</td><td>F2-C4&D4</td><td>-</td><td>-</td><td>-</td></tr> <tr><td>F1-AE2&AF2</td><td>5 AMP</td><td>3534208C1</td><td>V8 ENGINE ECM</td><td>F2-E4&F4</td><td>30 AMP</td><td>3534213C1</td><td>AIR ABS ECU</td></tr> <tr><td></td><td></td><td></td><td></td><td>F2-E4&F4</td><td>30 AMP</td><td>3534213C1</td><td>HYD ABS MODULATOR</td></tr> <tr><td></td><td></td><td></td><td></td><td>F2-G4&H4</td><td>25 AMP</td><td>3534212C1</td><td>HYD ABS ECU BATT</td></tr> <tr><td></td><td></td><td></td><td></td><td>F2-A3&B3</td><td>20 AMP</td><td>3534211C1</td><td>BODY BUILDER ACCESSORY</td></tr> </tbody> </table>								LOCATION	FUSE	PART NUMBER	DESCRIPTION	LOCATION	FUSE	PART NUMBER	DESCRIPTION	F1-A1&B1	10 AMP	3534209C1	BACK UP LAMPS	F2-A1&B1	30 AMP	3534213C1	TRAILER STOP LAMPS	F1-C1&D1	-	-	-	F2-C1&D1	5 AMP	3534208C1	HYDRAMAX SENSE	F1-E1&F1	5 AMP	3534208C1	ENGINE IGN	F2-E1&F1	20 AMP	3534211C1	TRAILER/BODY TAIL LAMPS	F1-G1&H1	10 AMP	3534209C1	FAN SOLENOID	F2-G1&H1	20 AMP	3534211C1	TRAILER/BODY MARKER LAMPS	F1-I1&J1	5 AMP	3534208C1	FAN CLUTCH	F2-A2&B2	30 AMP	3534213C1	TRAILER ABS	F1-K2&L2	5 AMP	3534208C1	EXHAUST BRAKE	F2-C2&D2	-	-	-	F1-M2&N2	-	-	-	F2-E2&F2	15 AMP	3534210C1	TRAILER RIGHT TURNS	F1-O2&P2	10 AMP	3534209C1	XMSN IGN/NEUTRAL	F2-G2&H2	15 AMP	3534210C1	TRAILER LEFT TURNS	F1-Q2&R2	5 AMP	3534208C1	HYD ABS ECU IGN	F2-A3&B3	25 AMP	3534212C1	TRAILER AUX/BODY BUILDER ACC	F1-S2&T2	10 AMP	3534209C1	IGNITION	F2-A3&B3	20 AMP	3534212C1	BODY BUILDER ACC	F1-U2&V2	20 AMP	3534211C1	AIR DRYER/DRAIN VALVE	F2-C3&D3	5 AMP	3534208C1	PAM MODULE	F1-W2&X2	15 AMP	3534210C1	BODY BUILDER STOP LAMPS	F2-E3&F3	5 AMP	3534208C1	REMOTE POWER MODULES	F1-Y2&Z2	10 AMP	3534209C1	FUEL TRANSFER PUMP	F2-G3&H3	20 AMP	3534211C1	FUEL HEATER	F1-AA2&AB2	5 AMP	3534208C1	AIR SUSPENSION	F2-AA&BA	30 AMP	3534213C1	AUTOSHIFT XMSN	F1-AC2&AD2	5 AMP	3534208C1	AUTO NEUTRAL	F2-C4&D4	-	-	-	F1-AE2&AF2	5 AMP	3534208C1	V8 ENGINE ECM	F2-E4&F4	30 AMP	3534213C1	AIR ABS ECU					F2-E4&F4	30 AMP	3534213C1	HYD ABS MODULATOR					F2-G4&H4	25 AMP	3534212C1	HYD ABS ECU BATT					F2-A3&B3	20 AMP	3534211C1	BODY BUILDER ACCESSORY																																																																																																																																																																																																																																																																																																										
LOCATION	FUSE	PART NUMBER	DESCRIPTION	LOCATION	FUSE	PART NUMBER	DESCRIPTION																																																																																																																																																																																																																																																																																																																																																																																																																																																																										
F1-A1&B1	10 AMP	3534209C1	BACK UP LAMPS	F2-A1&B1	30 AMP	3534213C1	TRAILER STOP LAMPS																																																																																																																																																																																																																																																																																																																																																																																																																																																																										
F1-C1&D1	-	-	-	F2-C1&D1	5 AMP	3534208C1	HYDRAMAX SENSE																																																																																																																																																																																																																																																																																																																																																																																																																																																																										
F1-E1&F1	5 AMP	3534208C1	ENGINE IGN	F2-E1&F1	20 AMP	3534211C1	TRAILER/BODY TAIL LAMPS																																																																																																																																																																																																																																																																																																																																																																																																																																																																										
F1-G1&H1	10 AMP	3534209C1	FAN SOLENOID	F2-G1&H1	20 AMP	3534211C1	TRAILER/BODY MARKER LAMPS																																																																																																																																																																																																																																																																																																																																																																																																																																																																										
F1-I1&J1	5 AMP	3534208C1	FAN CLUTCH	F2-A2&B2	30 AMP	3534213C1	TRAILER ABS																																																																																																																																																																																																																																																																																																																																																																																																																																																																										
F1-K2&L2	5 AMP	3534208C1	EXHAUST BRAKE	F2-C2&D2	-	-	-																																																																																																																																																																																																																																																																																																																																																																																																																																																																										
F1-M2&N2	-	-	-	F2-E2&F2	15 AMP	3534210C1	TRAILER RIGHT TURNS																																																																																																																																																																																																																																																																																																																																																																																																																																																																										
F1-O2&P2	10 AMP	3534209C1	XMSN IGN/NEUTRAL	F2-G2&H2	15 AMP	3534210C1	TRAILER LEFT TURNS																																																																																																																																																																																																																																																																																																																																																																																																																																																																										
F1-Q2&R2	5 AMP	3534208C1	HYD ABS ECU IGN	F2-A3&B3	25 AMP	3534212C1	TRAILER AUX/BODY BUILDER ACC																																																																																																																																																																																																																																																																																																																																																																																																																																																																										
F1-S2&T2	10 AMP	3534209C1	IGNITION	F2-A3&B3	20 AMP	3534212C1	BODY BUILDER ACC																																																																																																																																																																																																																																																																																																																																																																																																																																																																										
F1-U2&V2	20 AMP	3534211C1	AIR DRYER/DRAIN VALVE	F2-C3&D3	5 AMP	3534208C1	PAM MODULE																																																																																																																																																																																																																																																																																																																																																																																																																																																																										
F1-W2&X2	15 AMP	3534210C1	BODY BUILDER STOP LAMPS	F2-E3&F3	5 AMP	3534208C1	REMOTE POWER MODULES																																																																																																																																																																																																																																																																																																																																																																																																																																																																										
F1-Y2&Z2	10 AMP	3534209C1	FUEL TRANSFER PUMP	F2-G3&H3	20 AMP	3534211C1	FUEL HEATER																																																																																																																																																																																																																																																																																																																																																																																																																																																																										
F1-AA2&AB2	5 AMP	3534208C1	AIR SUSPENSION	F2-AA&BA	30 AMP	3534213C1	AUTOSHIFT XMSN																																																																																																																																																																																																																																																																																																																																																																																																																																																																										
F1-AC2&AD2	5 AMP	3534208C1	AUTO NEUTRAL	F2-C4&D4	-	-	-																																																																																																																																																																																																																																																																																																																																																																																																																																																																										
F1-AE2&AF2	5 AMP	3534208C1	V8 ENGINE ECM	F2-E4&F4	30 AMP	3534213C1	AIR ABS ECU																																																																																																																																																																																																																																																																																																																																																																																																																																																																										
				F2-E4&F4	30 AMP	3534213C1	HYD ABS MODULATOR																																																																																																																																																																																																																																																																																																																																																																																																																																																																										
				F2-G4&H4	25 AMP	3534212C1	HYD ABS ECU BATT																																																																																																																																																																																																																																																																																																																																																																																																																																																																										
				F2-A3&B3	20 AMP	3534211C1	BODY BUILDER ACCESSORY																																																																																																																																																																																																																																																																																																																																																																																																																																																																										
<p>MICRO RELAY BLOCKS (4002) (LOCATED IN POWER DISTRIBUTION CENTER)</p> <div style="display: flex; justify-content: space-between;"> <div style="width: 20%;">  <p style="font-size: x-small;">CONNECTOR ASSY - 3545598C1 LOCK - 3536085C1 MICRO RELAY - 3519350C1 PLUG - 3555642C1</p> <table border="1" style="width: 100%; border-collapse: collapse; font-size: x-small;"> <thead> <tr> <th>LOCATION</th><th>DESCRIPTION</th></tr> </thead> <tbody> <tr><td>M1-A3,M1-C4</td><td>EXHAUST BRAKE</td></tr> <tr><td>M1-A3,M1-C4</td><td>FAN CLUTCH</td></tr> <tr><td>M1-D1,M1-F2</td><td>BACK UP LAMPS W/WTEC XMSN</td></tr> <tr><td>M1-D3,M1-F4</td><td>CRANK ENABLE W/AUTONEUTRAL</td></tr> <tr><td>M1-G3,M1-J4</td><td>FUEL HEATER</td></tr> <tr><td>M2-A1,M2-C2</td><td>NEUTRAL W/WTEC AUTONEUTRAL</td></tr> <tr><td>M2-A3,M2-C4</td><td>TRAILER LEFT TURNS</td></tr> <tr><td>M2-D1,M2-F2</td><td>HYD ABS WARN LAMP</td></tr> <tr><td>M2-D1,M2-F2</td><td>AUX HEADLIGHT LO BEAM</td></tr> <tr><td>M2-D3,M2-F4</td><td>TRAILER RIGHT TURNS</td></tr> <tr><td>M2-G1,M2-J2</td><td>HYD ABS EVENT</td></tr> <tr><td>M2-G1,M2-J2</td><td>AUX HEADLIGHT HI BEAM</td></tr> <tr><td>M2-G6,M2-H4</td><td>AUTO NEUTRAL LAMP</td></tr> </tbody> </table> </div> <div style="width: 75%;"> <table border="1" style="width: 100%; border-collapse: collapse; font-size: x-small;"> <thead> <tr> <th>CAV</th><th>CIR</th><th>GAUGE</th><th>COLOR</th><th>TERM</th><th>CAV</th><th>CIR</th><th>GAUGE</th><th>COLOR</th><th>TERM</th></tr> </thead> <tbody> <tr><td>M1-C4</td><td>(J23Z)</td><td>-</td><td>-</td><td>3536300C1</td><td>M2-C4</td><td>J56H</td><td>16</td><td>OR</td><td>3515517C1</td></tr> <tr><td>M1-A4</td><td>J23A</td><td>18</td><td>TN</td><td>3536300C1</td><td>M2-C4</td><td>J56K</td><td>16</td><td>OR</td><td>3515517C1</td></tr> <tr><td>M1-A3</td><td>J23A</td><td>18</td><td>TN</td><td>3515517C1</td><td>M2-A4</td><td>J56T</td><td>12</td><td>OR</td><td>3516158C1</td></tr> <tr><td>M1-B3</td><td>J23</td><td>18</td><td>TN</td><td>3515517C1</td><td>M2-C3</td><td>J56C</td><td>12</td><td>OR</td><td>3516158C1</td></tr> <tr><td>M1-C4</td><td>J24C</td><td>18</td><td>GY</td><td>3536300C1</td><td>M2-A3</td><td>J56-GH</td><td>18</td><td>WH</td><td>3515517C1</td></tr> <tr><td>M1-A4</td><td>(J24C)</td><td>-</td><td>-</td><td>3536300C1</td><td>M2-B4</td><td>PLUG</td><td>-</td><td>-</td><td>-</td></tr> <tr><td>M1-C3</td><td>J24B</td><td>18</td><td>GY</td><td>3515517C1</td><td>M2-F2</td><td>J94HEA</td><td>18</td><td>GY</td><td>3536295C1</td></tr> <tr><td>M1-A3</td><td>J24A</td><td>18</td><td>GY</td><td>3515517C1</td><td>M2-F2</td><td>J94HE</td><td>18</td><td>GY</td><td>3536295C1</td></tr> <tr><td>M1-B4</td><td>PLUG</td><td>-</td><td>-</td><td>-</td><td>M2-D2</td><td>J94-GHE</td><td>18</td><td>WH</td><td>3515517C1</td></tr> <tr><td>M1-D1</td><td>J71H113</td><td>18</td><td>OR</td><td>3515517C1</td><td>M2-E1</td><td>J94HR</td><td>18</td><td>GY</td><td>3515517C1</td></tr> <tr><td>M1-D2</td><td>J71J</td><td>18</td><td>OR</td><td>3515517C1</td><td>M2-D1</td><td>J94HJ</td><td>18</td><td>GY</td><td>3515517C1</td></tr> <tr><td>M1-F1</td><td>J71B</td><td>18</td><td>OR</td><td>3515517C1</td><td>M2-E2</td><td>PLUG</td><td>-</td><td>-</td><td>-</td></tr> <tr><td>M1-F2</td><td>J71H</td><td>18</td><td>OR</td><td>3515517C1</td><td>M2-F2</td><td>J64AB</td><td>16</td><td>YL</td><td>3536295C1</td></tr> <tr><td>M1-E2</td><td>PLUG</td><td>-</td><td>-</td><td>-</td><td>M2-F2</td><td>J64C</td><td>16</td><td>YL</td><td>3536295C1</td></tr> <tr><td>M1-F4</td><td>J92HM4</td><td>18</td><td>TN</td><td>3536295C1</td><td>M2-D2</td><td>J53LO</td><td>14</td><td>YL</td><td>3516158C1</td></tr> <tr><td>M1-D4</td><td>J17</td><td>18</td><td>PK</td><td>3515517C1</td><td>M2-E1</td><td>J53B</td><td>14</td><td>YL</td><td>3516158C1</td></tr> <tr><td>M1-F3</td><td>J17SA</td><td>18</td><td>PK</td><td>3515517C1</td><td>M2-F1</td><td>J64LO</td><td>14</td><td>YL</td><td>3516158C1</td></tr> <tr><td>M1-D3</td><td>J17-GR1</td><td>18</td><td>PK</td><td>3515517C1</td><td>M2-D1</td><td>J64-GA</td><td>18</td><td>WH</td><td>3536295C1</td></tr> <tr><td>M1-E4</td><td>PLUG</td><td>-</td><td>-</td><td>-</td><td>M2-D1</td><td>J64-G</td><td>18</td><td>WH</td><td>3536295C1</td></tr> <tr><td>M1-J4</td><td>J13AS</td><td>18</td><td>PK</td><td>3515517C1</td><td>M2-E2</td><td>PLUG</td><td>-</td><td>-</td><td>-</td></tr> <tr><td>M1-G4</td><td>J19A</td><td>16</td><td>GY</td><td>3515517C1</td><td>M2-F4</td><td>J57H</td><td>16</td><td>OR</td><td>3515517C1</td></tr> <tr><td>M1-G4</td><td>J19E</td><td>16</td><td>GY</td><td>3536295C1</td><td>M2-F4</td><td>J57K</td><td>16</td><td>OR</td><td>3515517C1</td></tr> <tr><td>M1-J3</td><td>J19</td><td>16</td><td>GY</td><td>3515517C1</td><td>M2-D4</td><td>J57T</td><td>12</td><td>OR</td><td>3516158C1</td></tr> <tr><td>M1-G3</td><td>J19-G</td><td>18</td><td>WH</td><td>3515517C1</td><td>M2-F3</td><td>J57C</td><td>12</td><td>OR</td><td>3516158C1</td></tr> <tr><td>M1-H4</td><td>PLUG</td><td>-</td><td>-</td><td>-</td><td>M2-D3</td><td>J57-GH</td><td>18</td><td>WH</td><td>3515517C1</td></tr> <tr><td>M2-A1</td><td>J92A114</td><td>18</td><td>TN</td><td>3515517C1</td><td>M2-E4</td><td>PLUG</td><td>-</td><td>-</td><td>-</td></tr> <tr><td>M2-A2</td><td>J17BC</td><td>18</td><td>PK</td><td>3515517C1</td><td>M2-J2</td><td>J94HV</td><td>18</td><td>GY</td><td>3515517C1</td></tr> <tr><td>M2-B1</td><td>J92HM5</td><td>18</td><td>TN</td><td>3515517C1</td><td>M2-G2</td><td>J94HH</td><td>18</td><td>GY</td><td>3515517C1</td></tr> <tr><td>M2-C1</td><td>J92J</td><td>18</td><td>TN</td><td>3536295C1</td><td>M2-J1</td><td>J94HEA</td><td>18</td><td>GY</td><td>3515517C1</td></tr> <tr><td>M2-C1</td><td>J92JA</td><td>18</td><td>TN</td><td>3536295C1</td><td>M2-G1</td><td>J94-GHF</td><td>18</td><td>WH</td><td>3515517C1</td></tr> <tr><td>M2-C2</td><td>J92JA</td><td>18</td><td>TN</td><td>3536295C1</td><td>M2-H2</td><td>PLUG</td><td>-</td><td>-</td><td>-</td></tr> <tr><td>M2-B2</td><td>PLUG</td><td>-</td><td>-</td><td>-</td><td>M2-J2</td><td>J64C</td><td>16</td><td>YL</td><td>3515517C1</td></tr> <tr><td></td><td></td><td></td><td></td><td></td><td>M2-G2</td><td>J52HI</td><td>14</td><td>YL</td><td>3516158C1</td></tr> <tr><td></td><td></td><td></td><td></td><td></td><td>M2-H1</td><td>J52B</td><td>14</td><td>YL</td><td>3516158C1</td></tr> <tr><td></td><td></td><td></td><td></td><td></td><td>M2-J1</td><td>J64HI</td><td>14</td><td>YL</td><td>3516158C1</td></tr> <tr><td></td><td></td><td></td><td></td><td></td><td>M2-G1</td><td>J64-GA</td><td>18</td><td>WH</td><td>3515517C1</td></tr> <tr><td></td><td></td><td></td><td></td><td></td><td>M2-H2</td><td>PLUG</td><td>-</td><td>-</td><td>-</td></tr> <tr><td></td><td></td><td></td><td></td><td></td><td>M2-G3</td><td>J92-GJ</td><td>18</td><td>WH</td><td>3515517C1</td></tr> <tr><td></td><td></td><td></td><td></td><td></td><td>M2-G4</td><td>J92APA</td><td>18</td><td>TN</td><td>3515517C1</td></tr> <tr><td></td><td></td><td></td><td></td><td></td><td>M2-H3</td><td>J17BD</td><td>18</td><td>PK</td><td>3515517C1</td></tr> <tr><td></td><td></td><td></td><td></td><td></td><td>M2-J4</td><td>J92AY</td><td>18</td><td>TN</td><td>3515517C1</td></tr> <tr><td></td><td></td><td></td><td></td><td></td><td>M2-H4</td><td>PLUG</td><td>-</td><td>-</td><td>-</td></tr> </tbody> </table> </div> </div>								LOCATION	DESCRIPTION	M1-A3,M1-C4	EXHAUST BRAKE	M1-A3,M1-C4	FAN CLUTCH	M1-D1,M1-F2	BACK UP LAMPS W/WTEC XMSN	M1-D3,M1-F4	CRANK ENABLE W/AUTONEUTRAL	M1-G3,M1-J4	FUEL HEATER	M2-A1,M2-C2	NEUTRAL W/WTEC AUTONEUTRAL	M2-A3,M2-C4	TRAILER LEFT TURNS	M2-D1,M2-F2	HYD ABS WARN LAMP	M2-D1,M2-F2	AUX HEADLIGHT LO BEAM	M2-D3,M2-F4	TRAILER RIGHT TURNS	M2-G1,M2-J2	HYD ABS EVENT	M2-G1,M2-J2	AUX HEADLIGHT HI BEAM	M2-G6,M2-H4	AUTO NEUTRAL LAMP	CAV	CIR	GAUGE	COLOR	TERM	CAV	CIR	GAUGE	COLOR	TERM	M1-C4	(J23Z)	-	-	3536300C1	M2-C4	J56H	16	OR	3515517C1	M1-A4	J23A	18	TN	3536300C1	M2-C4	J56K	16	OR	3515517C1	M1-A3	J23A	18	TN	3515517C1	M2-A4	J56T	12	OR	3516158C1	M1-B3	J23	18	TN	3515517C1	M2-C3	J56C	12	OR	3516158C1	M1-C4	J24C	18	GY	3536300C1	M2-A3	J56-GH	18	WH	3515517C1	M1-A4	(J24C)	-	-	3536300C1	M2-B4	PLUG	-	-	-	M1-C3	J24B	18	GY	3515517C1	M2-F2	J94HEA	18	GY	3536295C1	M1-A3	J24A	18	GY	3515517C1	M2-F2	J94HE	18	GY	3536295C1	M1-B4	PLUG	-	-	-	M2-D2	J94-GHE	18	WH	3515517C1	M1-D1	J71H113	18	OR	3515517C1	M2-E1	J94HR	18	GY	3515517C1	M1-D2	J71J	18	OR	3515517C1	M2-D1	J94HJ	18	GY	3515517C1	M1-F1	J71B	18	OR	3515517C1	M2-E2	PLUG	-	-	-	M1-F2	J71H	18	OR	3515517C1	M2-F2	J64AB	16	YL	3536295C1	M1-E2	PLUG	-	-	-	M2-F2	J64C	16	YL	3536295C1	M1-F4	J92HM4	18	TN	3536295C1	M2-D2	J53LO	14	YL	3516158C1	M1-D4	J17	18	PK	3515517C1	M2-E1	J53B	14	YL	3516158C1	M1-F3	J17SA	18	PK	3515517C1	M2-F1	J64LO	14	YL	3516158C1	M1-D3	J17-GR1	18	PK	3515517C1	M2-D1	J64-GA	18	WH	3536295C1	M1-E4	PLUG	-	-	-	M2-D1	J64-G	18	WH	3536295C1	M1-J4	J13AS	18	PK	3515517C1	M2-E2	PLUG	-	-	-	M1-G4	J19A	16	GY	3515517C1	M2-F4	J57H	16	OR	3515517C1	M1-G4	J19E	16	GY	3536295C1	M2-F4	J57K	16	OR	3515517C1	M1-J3	J19	16	GY	3515517C1	M2-D4	J57T	12	OR	3516158C1	M1-G3	J19-G	18	WH	3515517C1	M2-F3	J57C	12	OR	3516158C1	M1-H4	PLUG	-	-	-	M2-D3	J57-GH	18	WH	3515517C1	M2-A1	J92A114	18	TN	3515517C1	M2-E4	PLUG	-	-	-	M2-A2	J17BC	18	PK	3515517C1	M2-J2	J94HV	18	GY	3515517C1	M2-B1	J92HM5	18	TN	3515517C1	M2-G2	J94HH	18	GY	3515517C1	M2-C1	J92J	18	TN	3536295C1	M2-J1	J94HEA	18	GY	3515517C1	M2-C1	J92JA	18	TN	3536295C1	M2-G1	J94-GHF	18	WH	3515517C1	M2-C2	J92JA	18	TN	3536295C1	M2-H2	PLUG	-	-	-	M2-B2	PLUG	-	-	-	M2-J2	J64C	16	YL	3515517C1						M2-G2	J52HI	14	YL	3516158C1						M2-H1	J52B	14	YL	3516158C1						M2-J1	J64HI	14	YL	3516158C1						M2-G1	J64-GA	18	WH	3515517C1						M2-H2	PLUG	-	-	-						M2-G3	J92-GJ	18	WH	3515517C1						M2-G4	J92APA	18	TN	3515517C1						M2-H3	J17BD	18	PK	3515517C1						M2-J4	J92AY	18	TN	3515517C1						M2-H4	PLUG	-	-	-
LOCATION	DESCRIPTION																																																																																																																																																																																																																																																																																																																																																																																																																																																																																
M1-A3,M1-C4	EXHAUST BRAKE																																																																																																																																																																																																																																																																																																																																																																																																																																																																																
M1-A3,M1-C4	FAN CLUTCH																																																																																																																																																																																																																																																																																																																																																																																																																																																																																
M1-D1,M1-F2	BACK UP LAMPS W/WTEC XMSN																																																																																																																																																																																																																																																																																																																																																																																																																																																																																
M1-D3,M1-F4	CRANK ENABLE W/AUTONEUTRAL																																																																																																																																																																																																																																																																																																																																																																																																																																																																																
M1-G3,M1-J4	FUEL HEATER																																																																																																																																																																																																																																																																																																																																																																																																																																																																																
M2-A1,M2-C2	NEUTRAL W/WTEC AUTONEUTRAL																																																																																																																																																																																																																																																																																																																																																																																																																																																																																
M2-A3,M2-C4	TRAILER LEFT TURNS																																																																																																																																																																																																																																																																																																																																																																																																																																																																																
M2-D1,M2-F2	HYD ABS WARN LAMP																																																																																																																																																																																																																																																																																																																																																																																																																																																																																
M2-D1,M2-F2	AUX HEADLIGHT LO BEAM																																																																																																																																																																																																																																																																																																																																																																																																																																																																																
M2-D3,M2-F4	TRAILER RIGHT TURNS																																																																																																																																																																																																																																																																																																																																																																																																																																																																																
M2-G1,M2-J2	HYD ABS EVENT																																																																																																																																																																																																																																																																																																																																																																																																																																																																																
M2-G1,M2-J2	AUX HEADLIGHT HI BEAM																																																																																																																																																																																																																																																																																																																																																																																																																																																																																
M2-G6,M2-H4	AUTO NEUTRAL LAMP																																																																																																																																																																																																																																																																																																																																																																																																																																																																																
CAV	CIR	GAUGE	COLOR	TERM	CAV	CIR	GAUGE	COLOR	TERM																																																																																																																																																																																																																																																																																																																																																																																																																																																																								
M1-C4	(J23Z)	-	-	3536300C1	M2-C4	J56H	16	OR	3515517C1																																																																																																																																																																																																																																																																																																																																																																																																																																																																								
M1-A4	J23A	18	TN	3536300C1	M2-C4	J56K	16	OR	3515517C1																																																																																																																																																																																																																																																																																																																																																																																																																																																																								
M1-A3	J23A	18	TN	3515517C1	M2-A4	J56T	12	OR	3516158C1																																																																																																																																																																																																																																																																																																																																																																																																																																																																								
M1-B3	J23	18	TN	3515517C1	M2-C3	J56C	12	OR	3516158C1																																																																																																																																																																																																																																																																																																																																																																																																																																																																								
M1-C4	J24C	18	GY	3536300C1	M2-A3	J56-GH	18	WH	3515517C1																																																																																																																																																																																																																																																																																																																																																																																																																																																																								
M1-A4	(J24C)	-	-	3536300C1	M2-B4	PLUG	-	-	-																																																																																																																																																																																																																																																																																																																																																																																																																																																																								
M1-C3	J24B	18	GY	3515517C1	M2-F2	J94HEA	18	GY	3536295C1																																																																																																																																																																																																																																																																																																																																																																																																																																																																								
M1-A3	J24A	18	GY	3515517C1	M2-F2	J94HE	18	GY	3536295C1																																																																																																																																																																																																																																																																																																																																																																																																																																																																								
M1-B4	PLUG	-	-	-	M2-D2	J94-GHE	18	WH	3515517C1																																																																																																																																																																																																																																																																																																																																																																																																																																																																								
M1-D1	J71H113	18	OR	3515517C1	M2-E1	J94HR	18	GY	3515517C1																																																																																																																																																																																																																																																																																																																																																																																																																																																																								
M1-D2	J71J	18	OR	3515517C1	M2-D1	J94HJ	18	GY	3515517C1																																																																																																																																																																																																																																																																																																																																																																																																																																																																								
M1-F1	J71B	18	OR	3515517C1	M2-E2	PLUG	-	-	-																																																																																																																																																																																																																																																																																																																																																																																																																																																																								
M1-F2	J71H	18	OR	3515517C1	M2-F2	J64AB	16	YL	3536295C1																																																																																																																																																																																																																																																																																																																																																																																																																																																																								
M1-E2	PLUG	-	-	-	M2-F2	J64C	16	YL	3536295C1																																																																																																																																																																																																																																																																																																																																																																																																																																																																								
M1-F4	J92HM4	18	TN	3536295C1	M2-D2	J53LO	14	YL	3516158C1																																																																																																																																																																																																																																																																																																																																																																																																																																																																								
M1-D4	J17	18	PK	3515517C1	M2-E1	J53B	14	YL	3516158C1																																																																																																																																																																																																																																																																																																																																																																																																																																																																								
M1-F3	J17SA	18	PK	3515517C1	M2-F1	J64LO	14	YL	3516158C1																																																																																																																																																																																																																																																																																																																																																																																																																																																																								
M1-D3	J17-GR1	18	PK	3515517C1	M2-D1	J64-GA	18	WH	3536295C1																																																																																																																																																																																																																																																																																																																																																																																																																																																																								
M1-E4	PLUG	-	-	-	M2-D1	J64-G	18	WH	3536295C1																																																																																																																																																																																																																																																																																																																																																																																																																																																																								
M1-J4	J13AS	18	PK	3515517C1	M2-E2	PLUG	-	-	-																																																																																																																																																																																																																																																																																																																																																																																																																																																																								
M1-G4	J19A	16	GY	3515517C1	M2-F4	J57H	16	OR	3515517C1																																																																																																																																																																																																																																																																																																																																																																																																																																																																								
M1-G4	J19E	16	GY	3536295C1	M2-F4	J57K	16	OR	3515517C1																																																																																																																																																																																																																																																																																																																																																																																																																																																																								
M1-J3	J19	16	GY	3515517C1	M2-D4	J57T	12	OR	3516158C1																																																																																																																																																																																																																																																																																																																																																																																																																																																																								
M1-G3	J19-G	18	WH	3515517C1	M2-F3	J57C	12	OR	3516158C1																																																																																																																																																																																																																																																																																																																																																																																																																																																																								
M1-H4	PLUG	-	-	-	M2-D3	J57-GH	18	WH	3515517C1																																																																																																																																																																																																																																																																																																																																																																																																																																																																								
M2-A1	J92A114	18	TN	3515517C1	M2-E4	PLUG	-	-	-																																																																																																																																																																																																																																																																																																																																																																																																																																																																								
M2-A2	J17BC	18	PK	3515517C1	M2-J2	J94HV	18	GY	3515517C1																																																																																																																																																																																																																																																																																																																																																																																																																																																																								
M2-B1	J92HM5	18	TN	3515517C1	M2-G2	J94HH	18	GY	3515517C1																																																																																																																																																																																																																																																																																																																																																																																																																																																																								
M2-C1	J92J	18	TN	3536295C1	M2-J1	J94HEA	18	GY	3515517C1																																																																																																																																																																																																																																																																																																																																																																																																																																																																								
M2-C1	J92JA	18	TN	3536295C1	M2-G1	J94-GHF	18	WH	3515517C1																																																																																																																																																																																																																																																																																																																																																																																																																																																																								
M2-C2	J92JA	18	TN	3536295C1	M2-H2	PLUG	-	-	-																																																																																																																																																																																																																																																																																																																																																																																																																																																																								
M2-B2	PLUG	-	-	-	M2-J2	J64C	16	YL	3515517C1																																																																																																																																																																																																																																																																																																																																																																																																																																																																								
					M2-G2	J52HI	14	YL	3516158C1																																																																																																																																																																																																																																																																																																																																																																																																																																																																								
					M2-H1	J52B	14	YL	3516158C1																																																																																																																																																																																																																																																																																																																																																																																																																																																																								
					M2-J1	J64HI	14	YL	3516158C1																																																																																																																																																																																																																																																																																																																																																																																																																																																																								
					M2-G1	J64-GA	18	WH	3515517C1																																																																																																																																																																																																																																																																																																																																																																																																																																																																								
					M2-H2	PLUG	-	-	-																																																																																																																																																																																																																																																																																																																																																																																																																																																																								
					M2-G3	J92-GJ	18	WH	3515517C1																																																																																																																																																																																																																																																																																																																																																																																																																																																																								
					M2-G4	J92APA	18	TN	3515517C1																																																																																																																																																																																																																																																																																																																																																																																																																																																																								
					M2-H3	J17BD	18	PK	3515517C1																																																																																																																																																																																																																																																																																																																																																																																																																																																																								
					M2-J4	J92AY	18	TN	3515517C1																																																																																																																																																																																																																																																																																																																																																																																																																																																																								
					M2-H4	PLUG	-	-	-																																																																																																																																																																																																																																																																																																																																																																																																																																																																								
CHK	DATE	CHANGE	REV	REFERENCE	DRAWN	NAME	42/43/44/85/8600 & 73/74/7500 CIRC DIAGRAMS																																																																																																																																																																																																																																																																																																																																																																																																																																																																										
PEC	19JAN01	PRODUCTION RELEASE.	A	P54304U	U00DAG9																																																																																																																																																																																																																																																																																																																																																																																																																																																																												
					RELEASE NO.	DATE	PART NO.	SHEET																																																																																																																																																																																																																																																																																																																																																																																																																																																																									
					P52778H	28JUN00	AE08-52376	19																																																																																																																																																																																																																																																																																																																																																																																																																																																																									

Figure 118 Connector Composites (4001), (4002)

12.20. CONNECTOR COMPOSITES (4003), (4004), P. 20

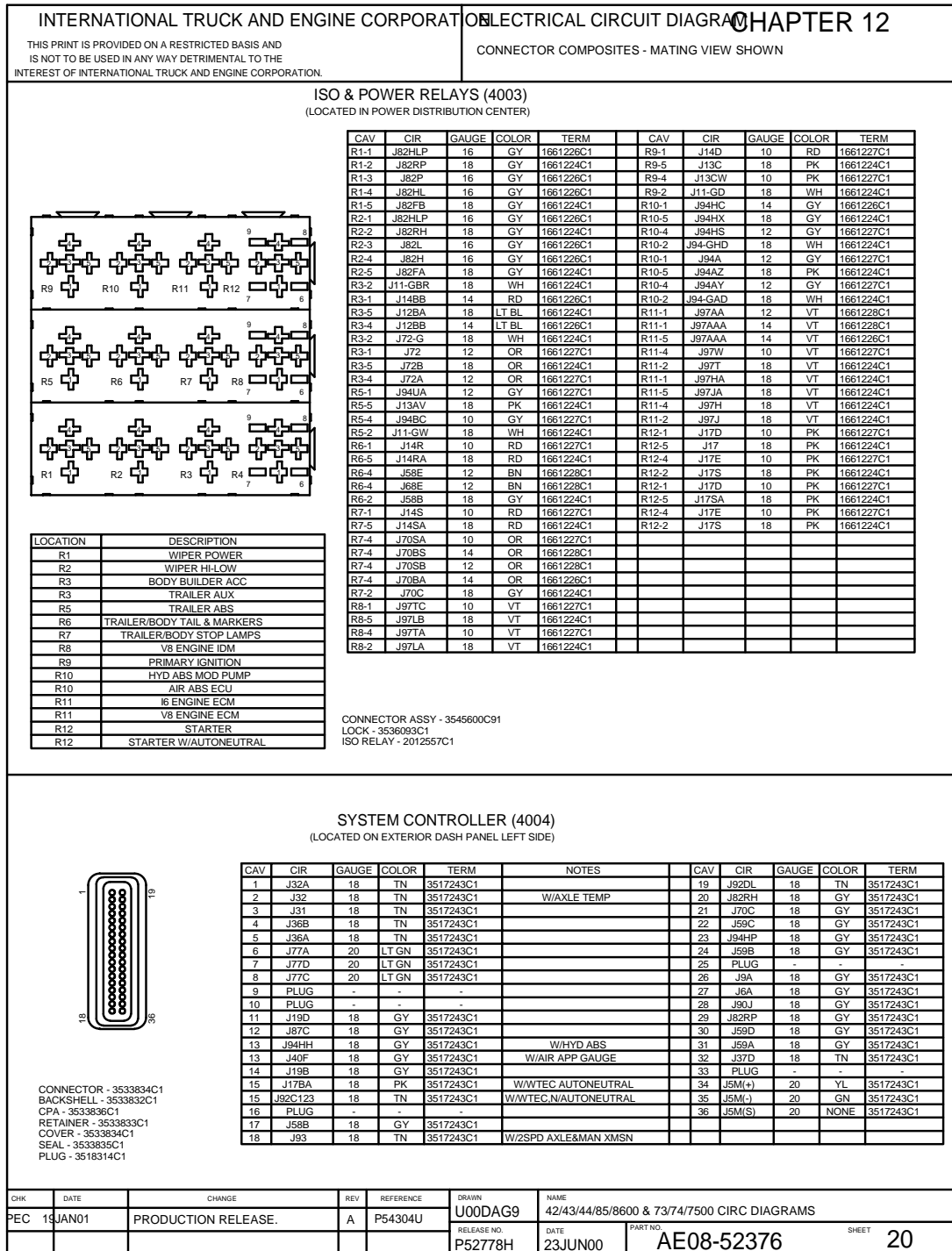


Figure 119 Connector Composites (4003), (4004)

12.21. CONNECTOR COMPOSITES (4007), (4008), (4009), (4010), P. 21

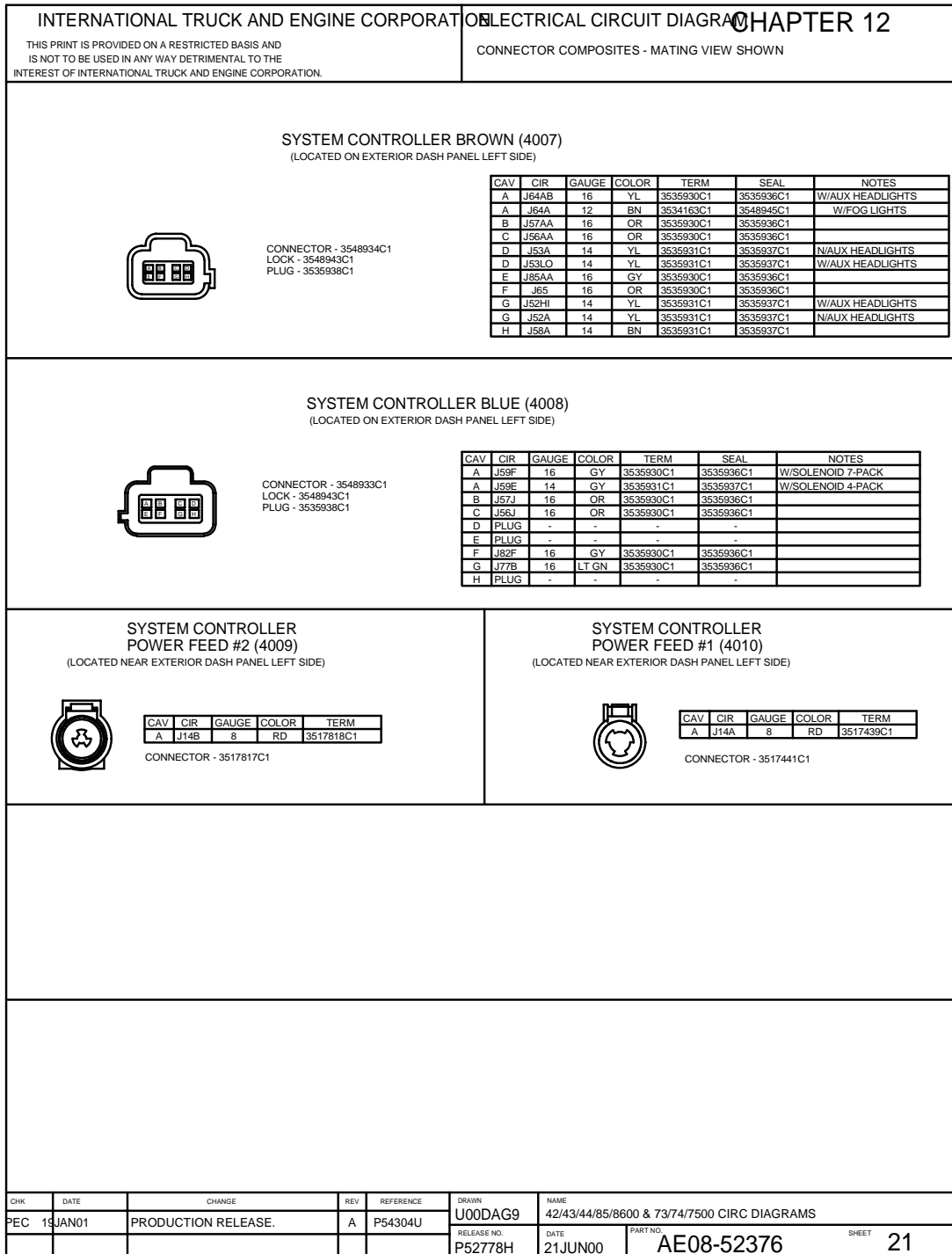


Figure 120 Connector Composites (4007), (4008), (4009), (4010)

12.22. CONNECTOR COMPOSITE (4014), P. 22

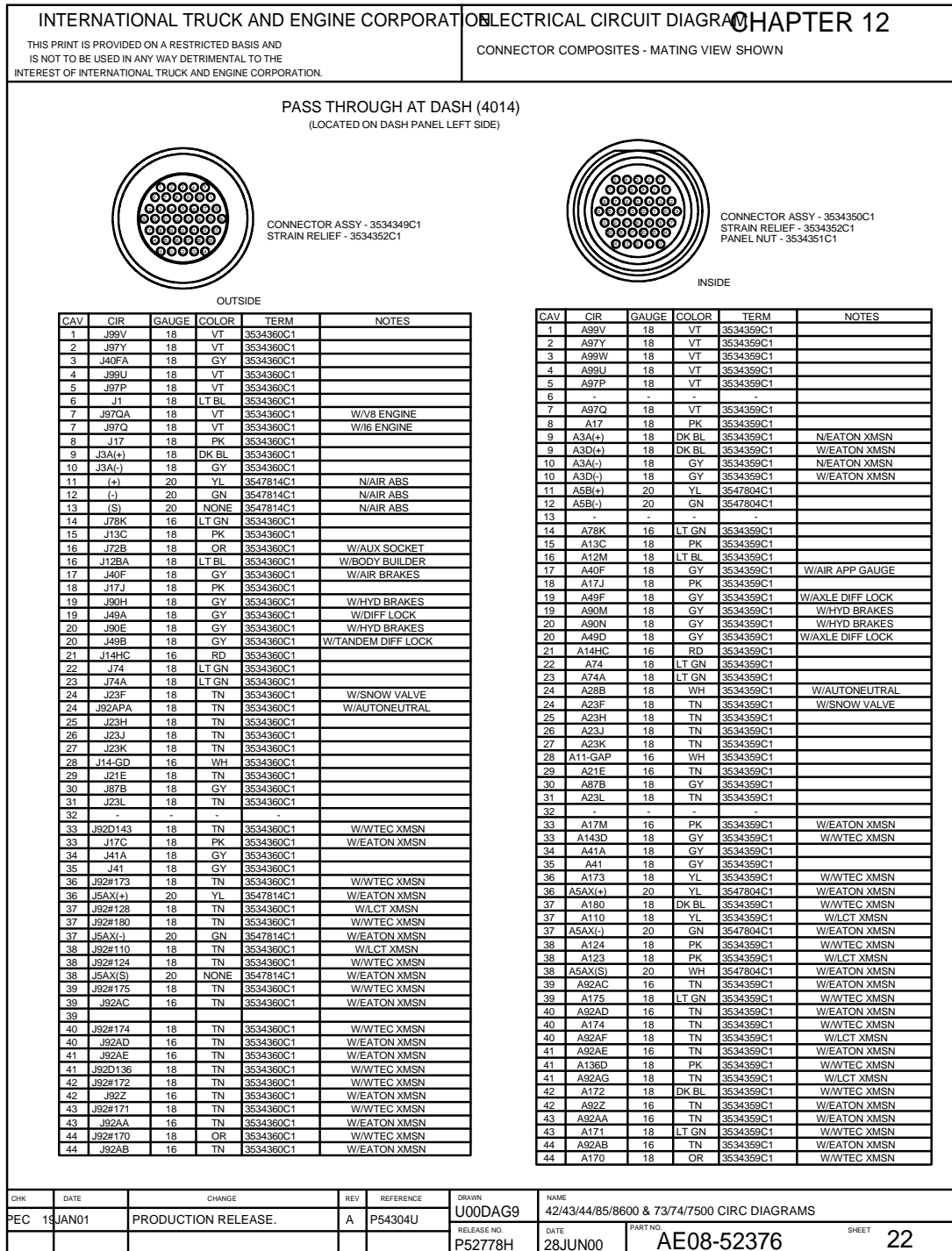


Figure 121 Connector Composite (4014)

12.23. CONNECTOR COMPOSITES (4015), (4017), (4018), (4019), (4020), (4021), (4022), (4023), P. 23

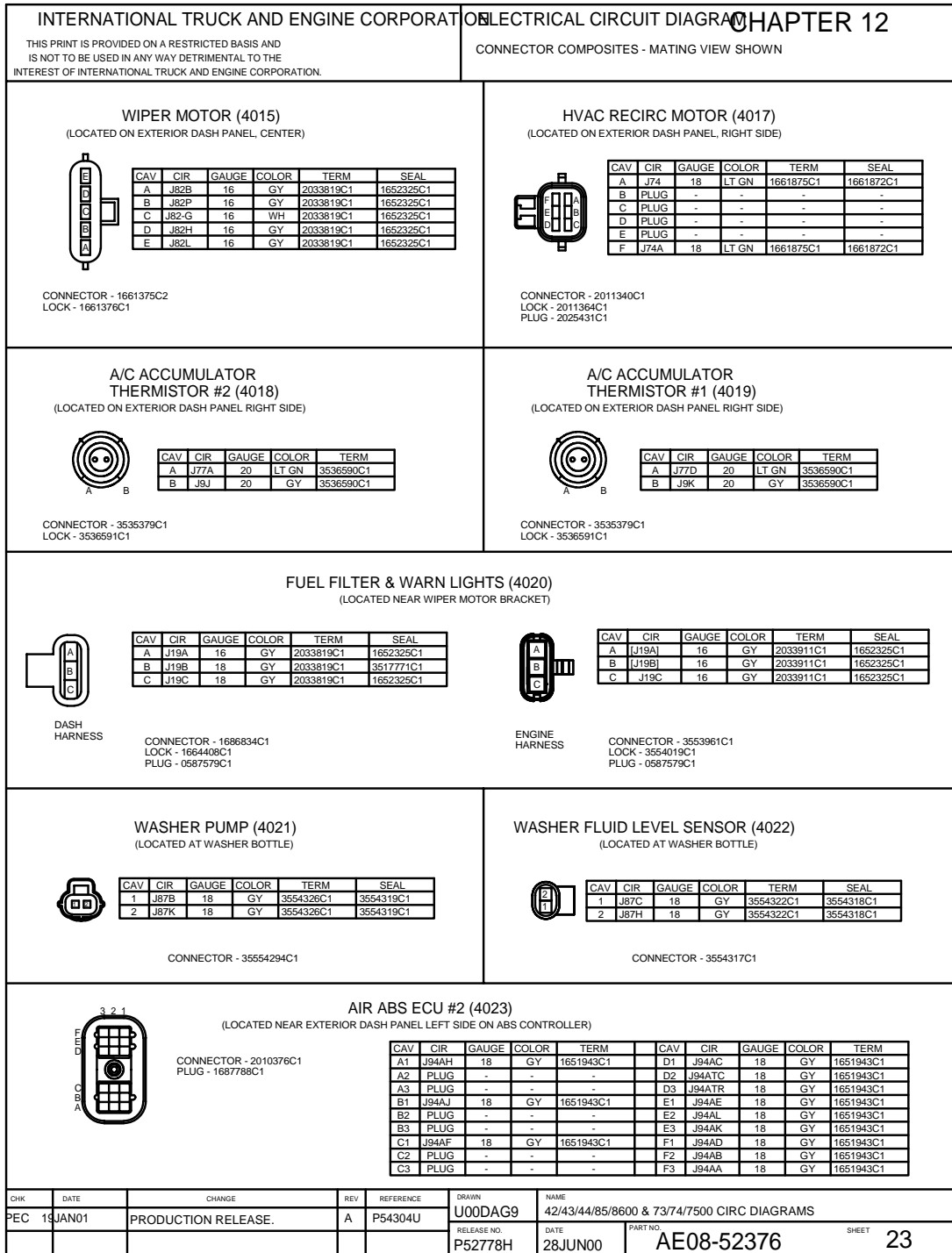


Figure 122 Connector Composites (4015), (4017), (4018), (4019), (4020), (4021), (4022), (4023)

12.24. CONNECTOR COMPOSITES (4024), (4030), (4031), (4032), (4033), (4040), (4041), (4050), (4051), (4052), P. 24

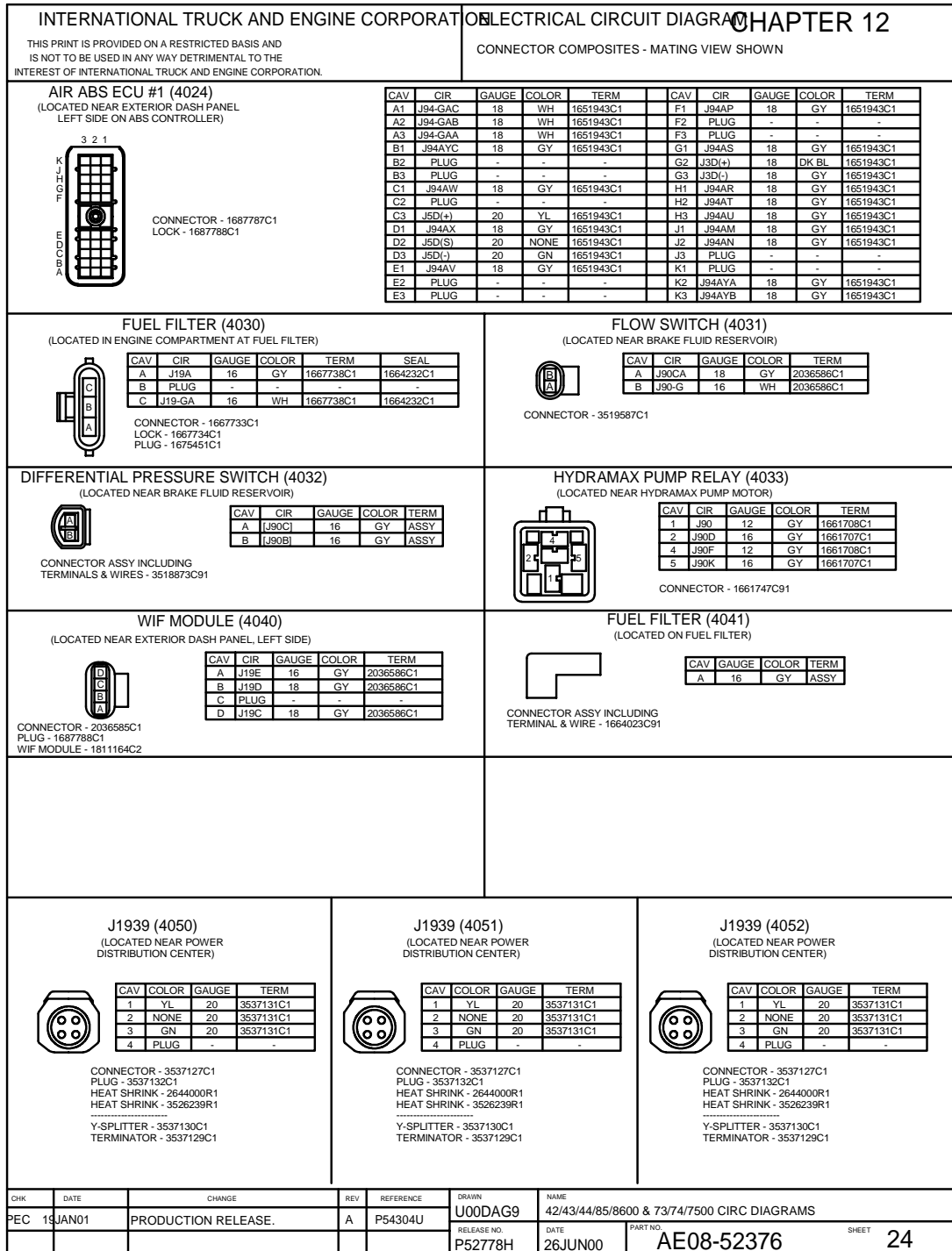


Figure 123 Connector Composites (4024), (4030), (4031), (4032), (4033), (4040), (4041), (4050), (4051), (4052)


12.25. CONNECTOR COMPOSITES (4054), (4056), (4058), (4060), (4061), (4062), (4087), (4098), (4103), P. 25

INTERNATIONAL TRUCK AND ENGINE CORPORATION ELECTRICAL CIRCUIT DIAGRAMS CHAPTER 12

THIS PRINT IS PROVIDED ON A RESTRICTED BASIS AND IS NOT TO BE USED IN ANY WAY DETRIMENTAL TO THE INTEREST OF INTERNATIONAL TRUCK AND ENGINE CORPORATION.

CONNECTOR COMPOSITES - MATING VIEW SHOWN

J1939 (4054)
(LOCATED NEAR POWER DISTRIBUTION CENTER)




CAV	COLOR	GAUGE	TERM
1	YL	20	3537131C1
2	WH	20	3537131C1
3	GN	20	3537131C1
4	PLUG	-	-

CONNECTOR - 3537127C1
PLUG - 3537132C1
HEAT SHRINK - 2644000R1
HEAT SHRINK - 3526239R1

Y-SPLITTER - 3537130C1
TERMINATOR - 3537129C1

J1939 (4056)
(LOCATED NEAR POWER DISTRIBUTION CENTER)




CAV	COLOR	GAUGE	TERM
1	YL	20	3537131C1
2	NONE	20	3537131C1
3	GN	20	3537131C1
4	PLUG	-	-

CONNECTOR - 3537127C1
PLUG - 3537132C1
HEAT SHRINK - 2644000R1
HEAT SHRINK - 3526239R1

Y-SPLITTER - 3537130C1
TERMINATOR - 3537129C1

J1939 (4058)
(LOCATED NEAR POWER DISTRIBUTION CENTER)




CAV	COLOR	GAUGE	TERM
1	YL	20	3537131C1
2	NONE	20	3537131C1
3	GN	20	3537131C1
4	PLUG	-	-

CONNECTOR - 3537127C1
PLUG - 3537132C1
HEAT SHRINK - 2644000R1
HEAT SHRINK - 3526239R1

Y-SPLITTER - 3537130C1
TERMINATOR - 3537129C1

J1939 (4060)
(LOCATED NEAR POWER DISTRIBUTION CENTER)




CAV	COLOR	GAUGE	TERM
1	YL	20	3537131C1
2	NONE	20	3537131C1
3	GN	20	3537131C1
4	PLUG	-	-

CONNECTOR - 3537127C1
PLUG - 3537132C1
HEAT SHRINK - 2644000R1
HEAT SHRINK - 3526239R1

Y-SPLITTER - 3537130C1
TERMINATOR - 3537129C1

J1939 (4061)
(LOCATED NEAR POWER DISTRIBUTION CENTER)




CAV	COLOR	GAUGE	TERM
1	YL	20	3537131C1
2	NONE	20	3537131C1
3	GN	20	3537131C1
4	PLUG	-	-

CONNECTOR - 3537127C1
PLUG - 3537132C1
HEAT SHRINK - 2644000R1
HEAT SHRINK - 3526239R1

Y-SPLITTER - 3537130C1
TERMINATOR - 3537129C1

J1939 (4062)
(LOCATED NEAR POWER DISTRIBUTION CENTER)

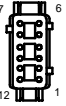


CAV	COLOR	GAUGE	TERM
1	YL	20	3537131C1
2	NONE	20	3537131C1
3	GN	20	3537131C1
4	PLUG	-	-

CONNECTOR - 3537127C1
PLUG - 3537132C1
HEAT SHRINK - 2644000R1
HEAT SHRINK - 3526239R1

Y-SPLITTER - 3537130C1
TERMINATOR - 3537129C1

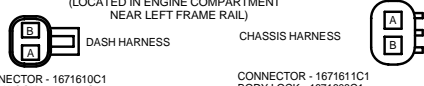
PAM MODULE(4087)
(LOCATED NEAR AIR FILTER IN ENGINE COMPARTMENT)



CAV	CIR	GAUGE	COLOR	TERM
1	PLUG	-	-	-
2	PLUG	-	-	-
3	PLUG	-	-	-
4	PLUG	-	-	-
5	PLUG	-	-	-
6	J26D	18	TN	3518963C1
7	J5P(+)	20	YL	3518963C1
8	J5P(-)	20	GN	3518963C1
9	J5P(S)	20	NONE	3518963C1
10	J26A	18	TN	3518963C1
11	J26B	18	TN	3518963C1
12	J11-GPM	18	WH	3518963C1

CONNECTOR - 3553404C1
BODY LOCK - 3553460C1
PLUG - 352726C1

AIR SUSPENSION (4098)
(LOCATED IN ENGINE COMPARTMENT NEAR LEFT FRAME RAIL)



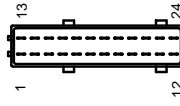
DASH HARNESS CHASSIS HARNESS

CONNECTOR - 1671610C1
BODY LOCK - 1671608C1
SEAL - 1652325C1
TERMINAL - 2033819C1(18 AWG)

CAV	CIR	GAUGE	COLOR	TERM
1	J61	18	GY	
2	J61-G	18	WH	

CAV	CIR	GAUGE	COLOR	TERM
1	J61A	16	GY	
2	J61-GA	16	WH	

ENGINE/DASH (4103)
(LOCATED NEAR WIPER MOTOR BRACKET)



CONNECTOR - 3558022C1
SEAL - 3559074C1
LOCK - 3558056C1
SMALL PLUG - 3532129C1

16 ENGINE HARNESS

CAV	CIR	GAUGE	COLOR	TERM	SEAL	NOTES
1	PLUG	-	-	-	-	
2	K99S	18	VT	3559036C1	3509903C1	
3	K97K	18	VT	3559036C1	3509903C1	
4	K97C	18	VT	3559036C1	3509903C1	
5	K99T	18	VT	3559036C1	3509903C1	
6	K97R	18	VT	3559036C1	3509903C1	
7	K5A(+)	20	YL	3559036C1	3532128C1	
8	K5A(-)	20	GN	3559036C1	3532128C1	
9	K5A(S)	20	NONE	3559036C1	3532128C1	
10	K3A(+)	18	DK BL	3559036C1	3509903C1	
11	K3B(-)	18	GY	3559036C1	3509903C1	
12	K21B	18	TN	3559036C1	3509903C1	
13	K1	16	LT BL	3559037C1	3509903C1	
14	K23A	16	TN	3559037C1	3509903C1	W/AIR FAN
14	K97DF	18	VT	3559036C1	3509903C1	W/BODY BUILDER
15	K24B	18	GY	3559036C1	3509903C1	
16	K24A	18	GY	3559036C1	3509903C1	
17	K17K	18	PK	3559036C1	3509903C1	W/OVERCRANK PROT
17	K17M	18	WH	3559036C1	3509903C1	N/OVERCRANK PROT
18	K97J	16	VT	3559037C1	3509903C1	
19	K97M	16	VT	3559037C1	3509903C1	
20	K77A	16	LT GN	3559037C1	3509903C1	
21	PLUG	-	-	-	-	
22	K26A	18	TN	3559036C1	3509903C1	
23	K26B	18	TN	3559036C1	3509903C1	
24	PLUG	-	-	-	-	

V8 ENGINE HARNESS

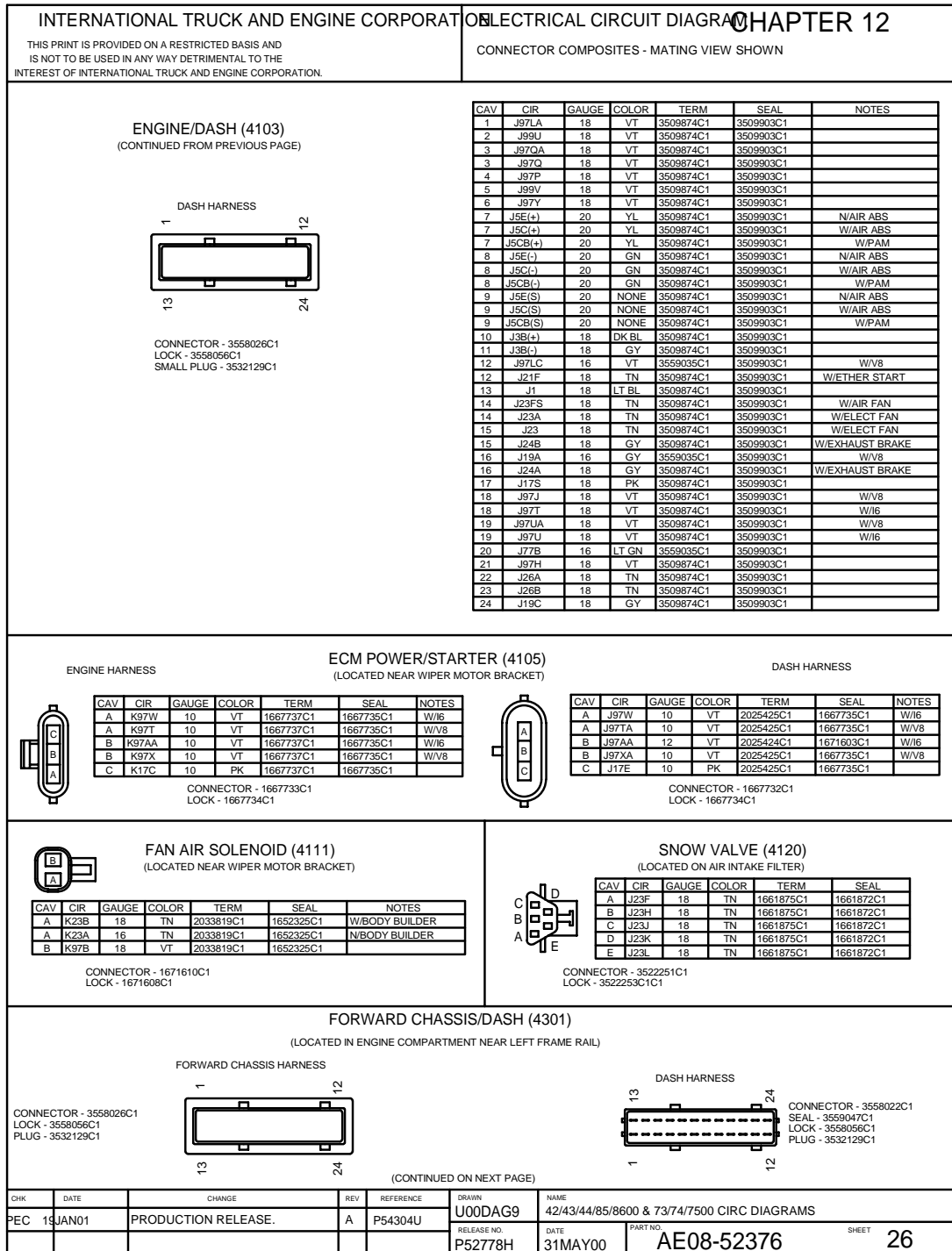
CAV	CIR	GAUGE	COLOR	TERM	SEAL
1	K97LA	16	VT	3559037C1	3509903C1
2	K99S	18	VT	3559036C1	3509903C1
3	K97K	18	VT	3559036C1	3509903C1
4	K97	18	VT	3559036C1	3509903C1
5	K99T	18	VT	3559036C1	3509903C1
6	K97D	18	VT	3559036C1	3509903C1
7	K5S	20	YL	3559036C1	3509903C1
8	K5T	20	GN	3559036C1	3509903C1
9	K5U	20	NONE	3559036C1	3509903C1
10	K3A(+)	18	BK	3559036C1	3509903C1
11	K3B(-)	18	BK	3559036C1	3509903C1
12	K97LC	16	VT	3559037C1	3509903C1
13	K1	16	LT BL	3559037C1	3509903C1
14	K23A	18	TN	3559036C1	3509903C1
15	K23	18	TN	3559036C1	3509903C1
16	K19B	16	GY	3559037C1	3509903C1
17	K17L	18	PK	3559036C1	3509903C1
18	K97J	18	VT	3559036C1	3509903C1
19	K97UA	18	VT	3559036C1	3509903C1
20	K77A	16	LT GN	3559037C1	3509903C1
21	K97H	16	VT	3559037C1	3509903C1
22	K26A	18	TN	3559036C1	3509903C1
23	K26B	18	TN	3559036C1	3509903C1
24	K19C	16	GY	3559037C1	3509903C1

(CONTINUED ON NEXT PAGE)

CHK	DATE	CHANGE	REV	REFERENCE	DRAWN	NAME
PEC	15JAN01	PRODUCTION RELEASE.	A	P54304U	U00DAG9	42/43/44/85/8600 & 73/74/7500 CIRC DIAGRAMS
					P52778H	DATE: 26JUN00 PART NO: AE08-52376 SHEET: 25

Figure 124 Connector Composites (4054), (4056), (4058), (4060), (4061), (4062), (4087), (4098), (4103)

12.26. CONNECTOR COMPOSITES (4103 CONT.), (4105), (4111), (4120), (4301), P. 26



12.27. CONNECTOR COMPOSITES (4301 CONT.), (4305), (4410), (4410B), (4410C), P. 27

INTERNATIONAL TRUCK AND ENGINE CORPORATION ELECTRICAL CIRCUIT DIAGRAM CHAPTER 12

FORWARD CHASSIS/DASH (4301)
(CONTINUED FROM PREVIOUS PAGE)

CONNECTOR COMPOSITES - MATING VIEW SHOWN

FORWARD CHASSIS HARNESS

CAV	CIR	GAUGE	COLOR	TERM	SEAL	NOTES
1	M9	18	GY	3559036C1	3509903C1	W/AUX AIR
1	M94	18	GY	3559036C1	3509903C1	W/AIR ABS
2	M94A	18	GY	3559036C1	3509903C1	W/AIR ABS
2	M6	18	GY	3559036C1	3509903C1	W/AUX AIR
3	M40	18	GY	3559036C1	3509903C1	W/AUX AIR
3	M94B	18	GY	3559036C1	3509903C1	W/AIR ABS
4	M52B	14	YL	3559037C1	3509903C1	W/AIR ABS
4	M53	14	YL	3559037C1	3509903C1	
5	M94C	18	GY	3559036C1	3509903C1	W/AIR ABS
6	[M94L]	18	BK	3559036C1	3509903C1	W/HYD ABS
7	M94D	18	GY	3559036C1	3509903C1	W/AIR ABS
7	[M94M]	18	BN	3559036C1	3509903C1	W/HYD ABS
8	M9	20	GY	3559036C1	3532128C1	
9	M56B	16	OR	3559037C1	3509903C1	
10	M85E	16	GY	3559037C1	3509903C1	
11	M57B	16	OR	3559037C1	3509903C1	
12	M58B	14	BN	3559037C1	3509903C1	
13	M11-G	12	WH	3559037C1	3509903C1	
14	M94E	18	GY	3559036C1	3509903C1	W/AIR ABS
14	[M94N]	18	BK	3559036C1	3509903C1	W/HYD ABS
15	M94F	18	GY	3559036C1	3509903C1	W/AIR ABS
15	[M94P]	18	BN	3559036C1	3509903C1	W/HYD ABS
16	M94H	18	GY	3559036C1	3509903C1	
17	M94J	18	GY	3559036C1	3509903C1	
18	M94K	18	GY	3559036C1	3509903C1	
19	M21C	18	TN	3559036C1	3509903C1	
20	M64LO	14	YL	3559037C1	3509903C1	W/AUX LIGHTS
20	M64	16	YL	3559037C1	3509903C1	W/FOG LIGHTS
21	M78H	16	LT GN	3559037C1	3509903C1	
22	M21D	18	TN	3559036C1	3509903C1	
23	M77	20	LT GN	3559036C1	3532128C1	
24	M6	20	GY	3559036C1	3532128C1	

DASH HARNESS

CAV	CIR	GAUGE	COLOR	TERM	SEAL	NOTES
1	J94AP	18	GY	3509874C1	3509903C1	W/AIR ABS
1	J6EA	18	GY	3509874C1	3509903C1	W/AUX AIR
2	J94AR	18	GY	3509874C1	3509903C1	W/AIR ABS
2	J6BA	18	GY	3509874C1	3509903C1	W/AUX AIR
3	J40FA	18	GY	3509874C1	3509903C1	W/AUX AIR
3	J94AS	18	GY	3509874C1	3509903C1	W/AIR ABS
4	J52A	14	YL	3559035C1	3509903C1	W/STD LIGHTS
4	J52B	14	YL	3559035C1	3509903C1	W/AUX LIGHTS
5	J53B	14	YL	3559035C1	3509903C1	W/STD LIGHTS
5	J53A	14	YL	3559035C1	3509903C1	W/AUX LIGHTS
6	J94HM	18	GY	3509874C1	3509903C1	W/HYD ABS
6	J94AM	18	GY	3509874C1	3509903C1	W/AIR ABS
7	J94HN	18	GY	3509874C1	3509903C1	W/HYD ABS
7	J94AN	18	GY	3509874C1	3509903C1	W/AIR ABS
8	J9Y	20	GY	3509874C1	3532128C1	
9	J56A	16	OR	3559035C1	3509903C1	
10	J85AA	16	GY	3559035C1	3509903C1	
11	J57A	16	OR	3559035C1	3509903C1	
12	J58AA	14	BN	3559035C1	3509903C1	
13	J11-G	12	WH	3559035C1	3509903C1	
16	J94AT	18	GY	3509874C1	3509903C1	W/AIR ABS
16	J94HT	18	GY	3509874C1	3509903C1	W/HYD ABS
15	J94AU	18	GY	3509874C1	3509903C1	W/AIR ABS
15	J94HU	18	GY	3509874C1	3509903C1	W/HYD ABS
16	J94AV	18	GY	3509874C1	3509903C1	
17	J94AW	18	GY	3509874C1	3509903C1	
18	J94AX	18	GY	3509874C1	3509903C1	
19	J21E	18	TN	3509874C1	3509903C1	
20	J64A	12	BN	3559035C1	3509903C1	W/FOG LIGHTS
20	J64O	14	YL	3559035C1	3509903C1	W/AUX LIGHTS
21	J78K	16	LT GN	3559035C1	3509903C1	
22	J21F	18	TN	3509874C1	3509903C1	
23	J77C	20	LT GN	3509874C1	3532128C1	
24	J6E	18	LT GN	3509874C1	3509903C1	

DASH HARNESS

CONNECTOR - 2039311C91
LOCK - 2039342C1
PLUG - 587579C1

AUX FWD/DASH (4305)
(LOCATED IN ENGINE COMPARTMENT NEAR LEFT FRAME RAIL)

CAV	CIR	GAUGE	COLOR	TERMINAL	SEAL
A	J64H1	14	YL	3535486C1	589391C1
B	J41	18	GY	2039343C1	1652325C1
C	J41A	18	GY	2039343C1	1652325C1
D	J19C	18	GY	2039343C1	1652325C1
E	J19A	16	GY	2039343C1	1652325C1

FWD CHASSIS HARNESS

CONNECTOR - 2039312C91
LOCK - 2039342C1
PLUG - 587579C1

DASH HARNESS

CONNECTOR - 2005241C1
LOCK - 2005243C1
PLUG - 453133C1

REMOTE SOLENOID POWER MODULE (4410)
(LOCATED IN ENGINE COMPARTMENT NEAR LEFT FRAME RAIL)

CAV	CIR	GAUGE	COLOR	TERM
1	J56F	16	GY	1680206C1
2	J11-QGR	14	WH	2034787C1
3	J5N(+)	20	YL	3518961C1
4	J5N(-)	20	GN	3518961C1
5	J5N(S)	20	NONE	3518961C1
6	J14W	16	RD	1680206C1

CENTER CHASSIS HARNESS

CONNECTOR - 2005240C1
LOCK - 2005242C1
PLUG - 453133C1

SOLENOID MODULE (4410B)
(LOCATED UNDER CAB BY LEFT FRAME RAIL)

CAV	CIR	GAUGE	COLOR	TERM
1	N59	14	GY	2034787C1
2	N10-GM	14	WH	2034787C1
3	N5(+)	20	YL	1651969C1
4	N5(-)	20	GN	1651969C1
5	N5(S)	20	NONE	1651969C1
6	N14	16	RD	1680205C1

CONNECTOR - 2005240C1
LOCK - 2005242C1
PLUG - 453133C1

SOLENOID MODULE (4410C)
(LOCATED UNDER CAB BY LEFT FRAME RAIL)

CAV	CIR	GAUGE	COLOR	TERM
1	N59A	14	GY	2034787C1
2	N10-GN	14	WH	2034787C1
3	N5(+)	20	YL	1651969C1
4	N5(-)	20	GN	1651969C1
5	N5(S)	20	NONE	1651969C1
6	N14A	16	RD	1680205C1

CONNECTOR - 2005240C1
LOCK - 2005242C1
PLUG - 453133C1

CHK	DATE	CHANGE	REV	REFERENCE	DRAWN	NAME
PEC	15JAN01	PRODUCTION RELEASE.	A	P54304U	U00DAG9	42/43/44/85/8600 & 73/74/7500 CIRC DIAGRAMS
					RELEASE NO.	DATE
					P52778H	26JUN00
						PART NO.
						AE08-52376
						SHEET
						27

Figure 126 Connector Composites (4301 Cont.), (4305), (4410), (4410B), (4410C)

12.28. CONNECTOR COMPOSITES (4410D), (4410E), (4410H), (4410M), (4411), (4411A), (4411B), (4412), P. 28

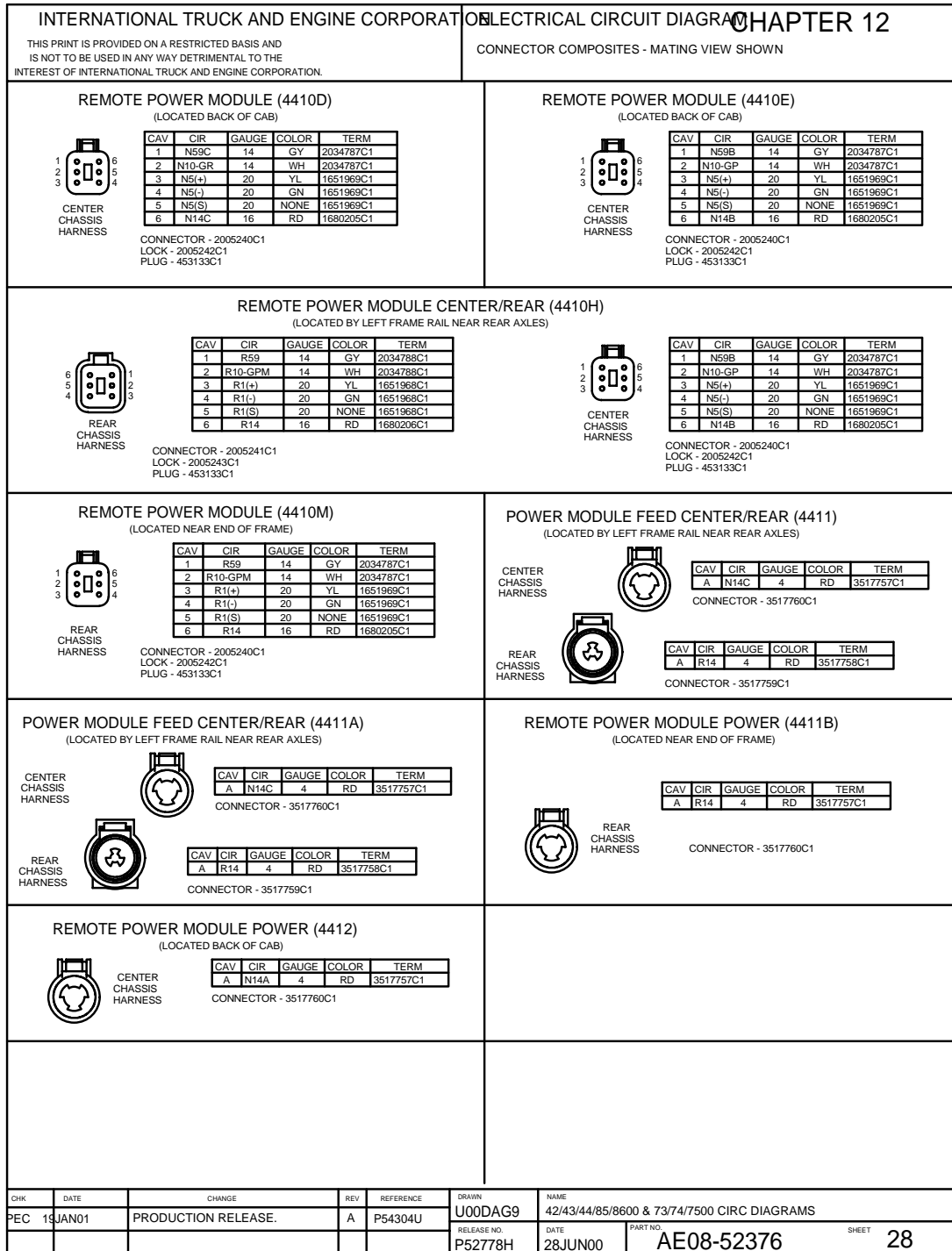


Figure 127 Connector Composites (4410D), (4410E), (4410H), (4410M), (4411), (4411A), (4411B), (4412)

12.29. CONNECTOR COMPOSITES (4415), (4450), P. 29

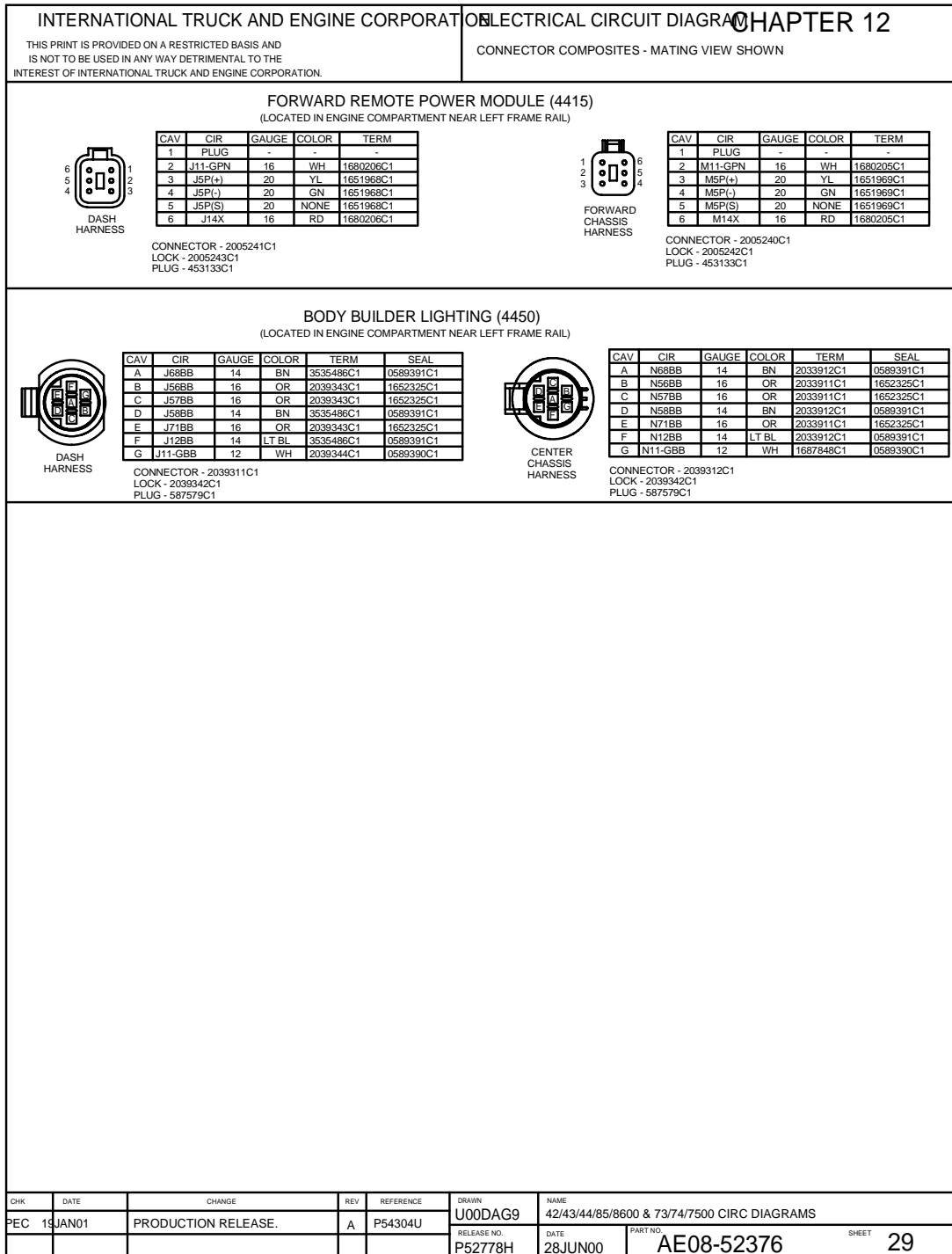


Figure 128 Connector Composites (4415), (4450)

12.30. CONNECTOR COMPOSITES (4450A), (4460A), (4460), (4705), P. 30


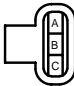
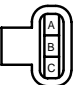

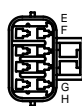

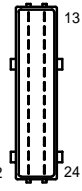
INTERNATIONAL TRUCK AND ENGINE CORPORATION ELECTRICAL CIRCUIT DIAGRAM CHAPTER 12 THIS PRINT IS PROVIDED ON A RESTRICTED BASIS AND IS NOT TO BE USED IN ANY WAY DETRIMENTAL TO THE INTEREST OF INTERNATIONAL TRUCK AND ENGINE CORPORATION.		CONNECTOR COMPOSITES - MATING VIEW SHOWN																																																																																																																																																																																																																																																																																																																																																																																																																									
<p style="text-align: center;">BODY BUILDER LIGHTING (4450A) (LOCATED BACK OF CAB NEAR LEFT FRAME RAIL)</p>  <table border="1" style="width:100%; border-collapse: collapse;"> <thead> <tr> <th>CAV</th> <th>CIR</th> <th>GAUGE</th> <th>COLOR</th> <th>TERM</th> <th>SEAL</th> </tr> </thead> <tbody> <tr><td>A</td><td>N68BB</td><td>14</td><td>BN</td><td>3535486C1</td><td>0589391C1</td></tr> <tr><td>B</td><td>N56BB</td><td>16</td><td>OR</td><td>2033819C1</td><td>1652325C1</td></tr> <tr><td>C</td><td>N57BB</td><td>16</td><td>OR</td><td>2039343C1</td><td>1652325C1</td></tr> <tr><td>D</td><td>N58BB</td><td>14</td><td>BN</td><td>3535486C1</td><td>0589391C1</td></tr> <tr><td>E</td><td>N71BB</td><td>16</td><td>OR</td><td>2039343C1</td><td>1652325C1</td></tr> <tr><td>F</td><td>N12BB</td><td>14</td><td>LT BL</td><td>3535486C1</td><td>0589391C1</td></tr> <tr><td>G</td><td>N11-GBB</td><td>12</td><td>WH</td><td>2039344C1</td><td>0589390C1</td></tr> </tbody> </table> <p style="text-align: center;">CONNECTOR - 2039311C1 LOCK - 2039342C1 PLUG - 587579C1</p> <p style="text-align: center;">CENTER CHASSIS HARNESS</p>		CAV	CIR	GAUGE	COLOR	TERM	SEAL	A	N68BB	14	BN	3535486C1	0589391C1	B	N56BB	16	OR	2033819C1	1652325C1	C	N57BB	16	OR	2039343C1	1652325C1	D	N58BB	14	BN	3535486C1	0589391C1	E	N71BB	16	OR	2039343C1	1652325C1	F	N12BB	14	LT BL	3535486C1	0589391C1	G	N11-GBB	12	WH	2039344C1	0589390C1	<p style="text-align: center;">BODY BUILDER TURN/STOP (4460A) (LOCATED BACK OF CAB NEAR LEFT FRAME RAIL)</p>  <table border="1" style="width:100%; border-collapse: collapse;"> <thead> <tr> <th>CAV</th> <th>CIR</th> <th>GAUGE</th> <th>COLOR</th> <th>TERM</th> <th>SEAL</th> </tr> </thead> <tbody> <tr><td>A</td><td>N56BC</td><td>16</td><td>OR</td><td>2033819C1</td><td>1652325C1</td></tr> <tr><td>B</td><td>N57BC</td><td>16</td><td>OR</td><td>2033819C1</td><td>1652325C1</td></tr> <tr><td>C</td><td>N70BB</td><td>14</td><td>OR</td><td>2033816C1</td><td>0589391C1</td></tr> </tbody> </table> <p style="text-align: center;">CONNECTOR - 1686834C1 LOCK - 1664408C1 PLUG - 0587579C1</p> <p style="text-align: center;">CENTER CHASSIS HARNESS</p>		CAV	CIR	GAUGE	COLOR	TERM	SEAL	A	N56BC	16	OR	2033819C1	1652325C1	B	N57BC	16	OR	2033819C1	1652325C1	C	N70BB	14	OR	2033816C1	0589391C1																																																																																																																																																																																																																																																																																																																																																
CAV	CIR	GAUGE	COLOR	TERM	SEAL																																																																																																																																																																																																																																																																																																																																																																																																																						
A	N68BB	14	BN	3535486C1	0589391C1																																																																																																																																																																																																																																																																																																																																																																																																																						
B	N56BB	16	OR	2033819C1	1652325C1																																																																																																																																																																																																																																																																																																																																																																																																																						
C	N57BB	16	OR	2039343C1	1652325C1																																																																																																																																																																																																																																																																																																																																																																																																																						
D	N58BB	14	BN	3535486C1	0589391C1																																																																																																																																																																																																																																																																																																																																																																																																																						
E	N71BB	16	OR	2039343C1	1652325C1																																																																																																																																																																																																																																																																																																																																																																																																																						
F	N12BB	14	LT BL	3535486C1	0589391C1																																																																																																																																																																																																																																																																																																																																																																																																																						
G	N11-GBB	12	WH	2039344C1	0589390C1																																																																																																																																																																																																																																																																																																																																																																																																																						
CAV	CIR	GAUGE	COLOR	TERM	SEAL																																																																																																																																																																																																																																																																																																																																																																																																																						
A	N56BC	16	OR	2033819C1	1652325C1																																																																																																																																																																																																																																																																																																																																																																																																																						
B	N57BC	16	OR	2033819C1	1652325C1																																																																																																																																																																																																																																																																																																																																																																																																																						
C	N70BB	14	OR	2033816C1	0589391C1																																																																																																																																																																																																																																																																																																																																																																																																																						
<p style="text-align: center;">BODY BUILDER TURN/STOP (4460) (LOCATED IN ENGINE COMPARTMENT NEAR LEFT FRAME RAIL)</p>  <table border="1" style="width:100%; border-collapse: collapse;"> <thead> <tr> <th>CAV</th> <th>CIR</th> <th>GAUGE</th> <th>COLOR</th> <th>TERM</th> <th>SEAL</th> </tr> </thead> <tbody> <tr><td>A</td><td>J56BC</td><td>16</td><td>OR</td><td>2033819C1</td><td>1652325C1</td></tr> <tr><td>B</td><td>J57BC</td><td>16</td><td>OR</td><td>2033819C1</td><td>1652325C1</td></tr> <tr><td>C</td><td>J70BB</td><td>14</td><td>OR</td><td>2033816C1</td><td>0589391C1</td></tr> </tbody> </table> <p style="text-align: center;">CONNECTOR - 1686834C1 LOCK - 1664408C1 PLUG - 0587579C1</p> <p style="text-align: center;">DASH HARNESS</p>		CAV	CIR	GAUGE	COLOR	TERM	SEAL	A	J56BC	16	OR	2033819C1	1652325C1	B	J57BC	16	OR	2033819C1	1652325C1	C	J70BB	14	OR	2033816C1	0589391C1	<p style="text-align: center;">BODY BUILDER TURN/STOP (4460) (LOCATED IN ENGINE COMPARTMENT NEAR LEFT FRAME RAIL)</p>  <table border="1" style="width:100%; border-collapse: collapse;"> <thead> <tr> <th>CAV</th> <th>CIR</th> <th>GAUGE</th> <th>COLOR</th> <th>TERM</th> <th>SEAL</th> </tr> </thead> <tbody> <tr><td>A</td><td>N56BC</td><td>16</td><td>OR</td><td>2033911C1</td><td>1652325C1</td></tr> <tr><td>B</td><td>N57BC</td><td>16</td><td>OR</td><td>2033911C1</td><td>1652325C1</td></tr> <tr><td>C</td><td>N70BB</td><td>14</td><td>OR</td><td>2033912C1</td><td>0589391C1</td></tr> </tbody> </table> <p style="text-align: center;">CONNECTOR - 3553961C1 LOCK - 3554019C1 PLUG - 587579C1</p> <p style="text-align: center;">CENTER CHASSIS HARNESS</p>		CAV	CIR	GAUGE	COLOR	TERM	SEAL	A	N56BC	16	OR	2033911C1	1652325C1	B	N57BC	16	OR	2033911C1	1652325C1	C	N70BB	14	OR	2033912C1	0589391C1																																																																																																																																																																																																																																																																																																																																																																								
CAV	CIR	GAUGE	COLOR	TERM	SEAL																																																																																																																																																																																																																																																																																																																																																																																																																						
A	J56BC	16	OR	2033819C1	1652325C1																																																																																																																																																																																																																																																																																																																																																																																																																						
B	J57BC	16	OR	2033819C1	1652325C1																																																																																																																																																																																																																																																																																																																																																																																																																						
C	J70BB	14	OR	2033816C1	0589391C1																																																																																																																																																																																																																																																																																																																																																																																																																						
CAV	CIR	GAUGE	COLOR	TERM	SEAL																																																																																																																																																																																																																																																																																																																																																																																																																						
A	N56BC	16	OR	2033911C1	1652325C1																																																																																																																																																																																																																																																																																																																																																																																																																						
B	N57BC	16	OR	2033911C1	1652325C1																																																																																																																																																																																																																																																																																																																																																																																																																						
C	N70BB	14	OR	2033912C1	0589391C1																																																																																																																																																																																																																																																																																																																																																																																																																						
<p style="text-align: center;">TRANSMISSION/DASH (4705) (LOCATED IN ENGINE COMPARTMENT BY WIPER MOTOR BRACKET)</p>																																																																																																																																																																																																																																																																																																																																																																																																																											
<p style="text-align: center;">W/MANUAL XMSN</p>  <table border="1" style="width:100%; border-collapse: collapse;"> <thead> <tr> <th>CAV</th> <th>CIR</th> <th>GAUGE</th> <th>COLOR</th> <th>TERM</th> <th>SEAL</th> </tr> </thead> <tbody> <tr><td>A</td><td>J71AA</td><td>18</td><td>OR</td><td>1661875C1</td><td>1661872C1</td></tr> <tr><td>B</td><td>J71</td><td>18</td><td>OR</td><td>1661875C1</td><td>1661872C1</td></tr> <tr><td>C</td><td>J93</td><td>18</td><td>TN</td><td>1661875C1</td><td>1661872C1</td></tr> <tr><td>D</td><td>PLUG</td><td>-</td><td>-</td><td>-</td><td>-</td></tr> <tr><td>E</td><td>J31</td><td>18</td><td>TN</td><td>1661875C1</td><td>1661872C1</td></tr> <tr><td>F</td><td>J17J</td><td>18</td><td>PK</td><td>1661875C1</td><td>1661872C1</td></tr> <tr><td>G</td><td>J9X</td><td>18</td><td>GY</td><td>1661875C1</td><td>1661872C1</td></tr> <tr><td>H</td><td>PLUG</td><td>-</td><td>-</td><td>-</td><td>-</td></tr> </tbody> </table> <p style="text-align: center;">CONNECTOR - 3525874C1 LOCK - 3525875C1 PLUG - 2025431C1</p> <p style="text-align: center;">DASH HARNESS</p>		CAV	CIR	GAUGE	COLOR	TERM	SEAL	A	J71AA	18	OR	1661875C1	1661872C1	B	J71	18	OR	1661875C1	1661872C1	C	J93	18	TN	1661875C1	1661872C1	D	PLUG	-	-	-	-	E	J31	18	TN	1661875C1	1661872C1	F	J17J	18	PK	1661875C1	1661872C1	G	J9X	18	GY	1661875C1	1661872C1	H	PLUG	-	-	-	-	<p style="text-align: center;">W/MANUAL XMSN</p>  <table border="1" style="width:100%; border-collapse: collapse;"> <thead> <tr> <th>CAV</th> <th>CIR</th> <th>GAUGE</th> <th>COLOR</th> <th>TERM</th> <th>SEAL</th> </tr> </thead> <tbody> <tr><td>A</td><td>L71C</td><td>16</td><td>OR</td><td>1667742C1</td><td>1661872C1</td></tr> <tr><td>B</td><td>L71B</td><td>16</td><td>OR</td><td>1667742C1</td><td>1661872C1</td></tr> <tr><td>C</td><td>L93</td><td>18</td><td>TN</td><td>1667742C1</td><td>1661872C1</td></tr> <tr><td>D</td><td>PLUG</td><td>-</td><td>-</td><td>-</td><td>-</td></tr> <tr><td>E</td><td>L31B</td><td>18</td><td>TN</td><td>1667742C1</td><td>1661872C1</td></tr> <tr><td>F</td><td>L17D</td><td>18</td><td>PK</td><td>1667742C1</td><td>1661872C1</td></tr> <tr><td>G</td><td>L31GC</td><td>18</td><td>WH</td><td>1667742C1</td><td>1661872C1</td></tr> <tr><td>H</td><td>PLUG</td><td>-</td><td>-</td><td>-</td><td>-</td></tr> </tbody> </table> <p style="text-align: center;">CONNECTOR - 3525874C1 LOCK - 3525875C1 PLUG - 2025431C1</p> <p style="text-align: center;">XMSN HARNESS</p>		CAV	CIR	GAUGE	COLOR	TERM	SEAL	A	L71C	16	OR	1667742C1	1661872C1	B	L71B	16	OR	1667742C1	1661872C1	C	L93	18	TN	1667742C1	1661872C1	D	PLUG	-	-	-	-	E	L31B	18	TN	1667742C1	1661872C1	F	L17D	18	PK	1667742C1	1661872C1	G	L31GC	18	WH	1667742C1	1661872C1	H	PLUG	-	-	-	-																																																																																																																																																																																																																																																																																																												
CAV	CIR	GAUGE	COLOR	TERM	SEAL																																																																																																																																																																																																																																																																																																																																																																																																																						
A	J71AA	18	OR	1661875C1	1661872C1																																																																																																																																																																																																																																																																																																																																																																																																																						
B	J71	18	OR	1661875C1	1661872C1																																																																																																																																																																																																																																																																																																																																																																																																																						
C	J93	18	TN	1661875C1	1661872C1																																																																																																																																																																																																																																																																																																																																																																																																																						
D	PLUG	-	-	-	-																																																																																																																																																																																																																																																																																																																																																																																																																						
E	J31	18	TN	1661875C1	1661872C1																																																																																																																																																																																																																																																																																																																																																																																																																						
F	J17J	18	PK	1661875C1	1661872C1																																																																																																																																																																																																																																																																																																																																																																																																																						
G	J9X	18	GY	1661875C1	1661872C1																																																																																																																																																																																																																																																																																																																																																																																																																						
H	PLUG	-	-	-	-																																																																																																																																																																																																																																																																																																																																																																																																																						
CAV	CIR	GAUGE	COLOR	TERM	SEAL																																																																																																																																																																																																																																																																																																																																																																																																																						
A	L71C	16	OR	1667742C1	1661872C1																																																																																																																																																																																																																																																																																																																																																																																																																						
B	L71B	16	OR	1667742C1	1661872C1																																																																																																																																																																																																																																																																																																																																																																																																																						
C	L93	18	TN	1667742C1	1661872C1																																																																																																																																																																																																																																																																																																																																																																																																																						
D	PLUG	-	-	-	-																																																																																																																																																																																																																																																																																																																																																																																																																						
E	L31B	18	TN	1667742C1	1661872C1																																																																																																																																																																																																																																																																																																																																																																																																																						
F	L17D	18	PK	1667742C1	1661872C1																																																																																																																																																																																																																																																																																																																																																																																																																						
G	L31GC	18	WH	1667742C1	1661872C1																																																																																																																																																																																																																																																																																																																																																																																																																						
H	PLUG	-	-	-	-																																																																																																																																																																																																																																																																																																																																																																																																																						
<p style="text-align: center;">W/WALLISON LCT XMSN</p> <table border="1" style="width:100%; border-collapse: collapse;"> <thead> <tr> <th>CAV</th> <th>CIR</th> <th>GAUGE</th> <th>COLOR</th> <th>TERM</th> <th>SEAL</th> </tr> </thead> <tbody> <tr><td>A</td><td>PLUG</td><td>-</td><td>-</td><td>-</td><td>-</td></tr> <tr><td>B</td><td>J92A128</td><td>18</td><td>TN</td><td>1661875C1</td><td>1661872C1</td></tr> <tr><td>C</td><td>J92A110</td><td>18</td><td>TN</td><td>1661875C1</td><td>1661872C1</td></tr> <tr><td>D</td><td>J71</td><td>18</td><td>OR</td><td>1661875C1</td><td>1661872C1</td></tr> <tr><td>E</td><td>PLUG</td><td>-</td><td>-</td><td>-</td><td>-</td></tr> <tr><td>F</td><td>PLUG</td><td>-</td><td>-</td><td>-</td><td>-</td></tr> <tr><td>G</td><td>J13M</td><td>18</td><td>PK</td><td>1661875C1</td><td>1661872C1</td></tr> <tr><td>H</td><td>J71AA</td><td>18</td><td>OR</td><td>1661875C1</td><td>1661872C1</td></tr> </tbody> </table> <p style="text-align: center;">CONNECTOR - 3558022C1 SEAL - 3559074C1 LOCK - 3558056C1 PLUG - 3532129C1</p> <p style="text-align: center;">W/WALLISON LCT XMSN</p> <table border="1" style="width:100%; border-collapse: collapse;"> <thead> <tr> <th>CAV</th> <th>CIR</th> <th>GAUGE</th> <th>COLOR</th> <th>TERM</th> <th>SEAL</th> </tr> </thead> <tbody> <tr><td>A</td><td>PLUG</td><td>-</td><td>-</td><td>-</td><td>-</td></tr> <tr><td>B</td><td>L92B128</td><td>18</td><td>TN</td><td>1667742C1</td><td>1661872C1</td></tr> <tr><td>C</td><td>L92A110</td><td>18</td><td>TN</td><td>1667742C1</td><td>1661872C1</td></tr> <tr><td>D</td><td>L71</td><td>16</td><td>OR</td><td>1667742C1</td><td>1661872C1</td></tr> <tr><td>E</td><td>PLUG</td><td>-</td><td>-</td><td>-</td><td>-</td></tr> <tr><td>F</td><td>PLUG</td><td>-</td><td>-</td><td>-</td><td>-</td></tr> <tr><td>G</td><td>L13M4</td><td>18</td><td>PK</td><td>1667742C1</td><td>1661872C1</td></tr> <tr><td>H</td><td>L71A</td><td>16</td><td>OR</td><td>1667742C1</td><td>1661872C1</td></tr> </tbody> </table>		CAV	CIR	GAUGE	COLOR	TERM	SEAL	A	PLUG	-	-	-	-	B	J92A128	18	TN	1661875C1	1661872C1	C	J92A110	18	TN	1661875C1	1661872C1	D	J71	18	OR	1661875C1	1661872C1	E	PLUG	-	-	-	-	F	PLUG	-	-	-	-	G	J13M	18	PK	1661875C1	1661872C1	H	J71AA	18	OR	1661875C1	1661872C1	CAV	CIR	GAUGE	COLOR	TERM	SEAL	A	PLUG	-	-	-	-	B	L92B128	18	TN	1667742C1	1661872C1	C	L92A110	18	TN	1667742C1	1661872C1	D	L71	16	OR	1667742C1	1661872C1	E	PLUG	-	-	-	-	F	PLUG	-	-	-	-	G	L13M4	18	PK	1667742C1	1661872C1	H	L71A	16	OR	1667742C1	1661872C1	<p style="text-align: center;">W/EATON AUTOSHIFT XMSN</p>  <table border="1" style="width:100%; border-collapse: collapse;"> <thead> <tr> <th>CAV</th> <th>CIR</th> <th>GAUGE</th> <th>COLOR</th> <th>TERM</th> <th>SEAL</th> </tr> </thead> <tbody> <tr><td>1</td><td>PLUG</td><td>-</td><td>-</td><td>-</td><td>-</td></tr> <tr><td>2</td><td>PLUG</td><td>-</td><td>-</td><td>-</td><td>-</td></tr> <tr><td>3</td><td>J92Z</td><td>16</td><td>TN</td><td>3559037C1</td><td>3509903C1</td></tr> <tr><td>4</td><td>J92AE</td><td>16</td><td>TN</td><td>3559037C1</td><td>3509903C1</td></tr> <tr><td>5</td><td>J92AD</td><td>16</td><td>TN</td><td>3559037C1</td><td>3509903C1</td></tr> <tr><td>6</td><td>J92AC</td><td>16</td><td>TN</td><td>3559037C1</td><td>3509903C1</td></tr> <tr><td>7</td><td>PLUG</td><td>-</td><td>-</td><td>-</td><td>-</td></tr> <tr><td>8</td><td>PLUG</td><td>-</td><td>-</td><td>-</td><td>-</td></tr> <tr><td>9</td><td>J5AX(+)</td><td>20</td><td>YL</td><td>3559036C1</td><td>3532128C1</td></tr> <tr><td>10</td><td>J5AX(-)</td><td>20</td><td>GN</td><td>3559036C1</td><td>3532128C1</td></tr> <tr><td>11</td><td>J5AX(S)</td><td>20</td><td>NONE</td><td>3559036C1</td><td>3532128C1</td></tr> <tr><td>12</td><td>J11-GAM</td><td>12</td><td>WH</td><td>3559037C1</td><td>3509903C1</td></tr> <tr><td>13</td><td>J14AW</td><td>12</td><td>RD</td><td>3559037C1</td><td>3509903C1</td></tr> <tr><td>14</td><td>PLUG</td><td>-</td><td>-</td><td>-</td><td>-</td></tr> <tr><td>15</td><td>PLUG</td><td>-</td><td>-</td><td>-</td><td>-</td></tr> <tr><td>16</td><td>PLUG</td><td>-</td><td>-</td><td>-</td><td>-</td></tr> <tr><td>17</td><td>J71</td><td>18</td><td>LT BL</td><td>3559036C1</td><td>3532128C1</td></tr> <tr><td>18</td><td>J71A</td><td>18</td><td>PK</td><td>3559036C1</td><td>3532128C1</td></tr> <tr><td>19</td><td>J17C</td><td>18</td><td>PK</td><td>3559036C1</td><td>3532128C1</td></tr> <tr><td>20</td><td>J92AB</td><td>16</td><td>TN</td><td>3559037C1</td><td>3509903C1</td></tr> <tr><td>21</td><td>J92AA</td><td>16</td><td>TN</td><td>3559037C1</td><td>3509903C1</td></tr> <tr><td>22</td><td>PLUG</td><td>-</td><td>-</td><td>-</td><td>-</td></tr> <tr><td>23</td><td>PLUG</td><td>-</td><td>-</td><td>-</td><td>-</td></tr> <tr><td>24</td><td>PLUG</td><td>-</td><td>-</td><td>-</td><td>-</td></tr> </tbody> </table> <p style="text-align: center;">CONNECTOR - 3558022C1 LOCK - 3558056C1 PLUG - 3532129C1</p> <p style="text-align: center;">W/EATON AUTOSHIFT XMSN</p> <table border="1" style="width:100%; border-collapse: collapse;"> <thead> <tr> <th>CAV</th> <th>CIR</th> <th>GAUGE</th> <th>COLOR</th> <th>TERM</th> <th>SEAL</th> </tr> </thead> <tbody> <tr><td>1</td><td>PLUG</td><td>-</td><td>-</td><td>-</td><td>-</td></tr> <tr><td>2</td><td>PLUG</td><td>-</td><td>-</td><td>-</td><td>-</td></tr> <tr><td>3</td><td>L92Z</td><td>16</td><td>TN</td><td>3559035C1</td><td>3509903C1</td></tr> <tr><td>4</td><td>L92AE</td><td>16</td><td>TN</td><td>3559035C1</td><td>3509903C1</td></tr> <tr><td>5</td><td>L92AD</td><td>16</td><td>TN</td><td>3559035C1</td><td>3509903C1</td></tr> <tr><td>6</td><td>L92AC</td><td>16</td><td>TN</td><td>3559035C1</td><td>3509903C1</td></tr> <tr><td>7</td><td>L31F</td><td>18</td><td>TN</td><td>3509874C1</td><td>3509903C1</td></tr> <tr><td>8</td><td>L31GF</td><td>18</td><td>TN</td><td>3509874C1</td><td>3509903C1</td></tr> <tr><td>9</td><td>L5AX(+)</td><td>20</td><td>YL</td><td>3509874C1</td><td>3509903C1</td></tr> <tr><td>10</td><td>L5AX(-)</td><td>20</td><td>GN</td><td>3509874C1</td><td>3509903C1</td></tr> <tr><td>11</td><td>L5AX(S)</td><td>20</td><td>NONE</td><td>3509874C1</td><td>3509903C1</td></tr> <tr><td>12</td><td>L11-GAM</td><td>12</td><td>WH</td><td>3559035C1</td><td>3509903C1</td></tr> <tr><td>13</td><td>L14AW</td><td>12</td><td>RD</td><td>3559035C1</td><td>3509903C1</td></tr> <tr><td>14</td><td>PLUG</td><td>-</td><td>-</td><td>-</td><td>-</td></tr> <tr><td>15</td><td>PLUG</td><td>-</td><td>-</td><td>-</td><td>-</td></tr> <tr><td>16</td><td>PLUG</td><td>-</td><td>-</td><td>-</td><td>-</td></tr> <tr><td>17</td><td>L71</td><td>18</td><td>OR</td><td>3559035C1</td><td>3509903C1</td></tr> <tr><td>18</td><td>L71A</td><td>18</td><td>OR</td><td>3559035C1</td><td>3509903C1</td></tr> <tr><td>19</td><td>L17C</td><td>18</td><td>PK</td><td>3509874C1</td><td>3509903C1</td></tr> <tr><td>20</td><td>L92AB</td><td>16</td><td>TN</td><td>3559035C1</td><td>3509903C1</td></tr> <tr><td>21</td><td>L92AA</td><td>16</td><td>TN</td><td>3559035C1</td><td>3509903C1</td></tr> <tr><td>22</td><td>PLUG</td><td>-</td><td>-</td><td>-</td><td>-</td></tr> <tr><td>23</td><td>PLUG</td><td>-</td><td>-</td><td>-</td><td>-</td></tr> <tr><td>24</td><td>PLUG</td><td>-</td><td>-</td><td>-</td><td>-</td></tr> </tbody> </table>		CAV	CIR	GAUGE	COLOR	TERM	SEAL	1	PLUG	-	-	-	-	2	PLUG	-	-	-	-	3	J92Z	16	TN	3559037C1	3509903C1	4	J92AE	16	TN	3559037C1	3509903C1	5	J92AD	16	TN	3559037C1	3509903C1	6	J92AC	16	TN	3559037C1	3509903C1	7	PLUG	-	-	-	-	8	PLUG	-	-	-	-	9	J5AX(+)	20	YL	3559036C1	3532128C1	10	J5AX(-)	20	GN	3559036C1	3532128C1	11	J5AX(S)	20	NONE	3559036C1	3532128C1	12	J11-GAM	12	WH	3559037C1	3509903C1	13	J14AW	12	RD	3559037C1	3509903C1	14	PLUG	-	-	-	-	15	PLUG	-	-	-	-	16	PLUG	-	-	-	-	17	J71	18	LT BL	3559036C1	3532128C1	18	J71A	18	PK	3559036C1	3532128C1	19	J17C	18	PK	3559036C1	3532128C1	20	J92AB	16	TN	3559037C1	3509903C1	21	J92AA	16	TN	3559037C1	3509903C1	22	PLUG	-	-	-	-	23	PLUG	-	-	-	-	24	PLUG	-	-	-	-	CAV	CIR	GAUGE	COLOR	TERM	SEAL	1	PLUG	-	-	-	-	2	PLUG	-	-	-	-	3	L92Z	16	TN	3559035C1	3509903C1	4	L92AE	16	TN	3559035C1	3509903C1	5	L92AD	16	TN	3559035C1	3509903C1	6	L92AC	16	TN	3559035C1	3509903C1	7	L31F	18	TN	3509874C1	3509903C1	8	L31GF	18	TN	3509874C1	3509903C1	9	L5AX(+)	20	YL	3509874C1	3509903C1	10	L5AX(-)	20	GN	3509874C1	3509903C1	11	L5AX(S)	20	NONE	3509874C1	3509903C1	12	L11-GAM	12	WH	3559035C1	3509903C1	13	L14AW	12	RD	3559035C1	3509903C1	14	PLUG	-	-	-	-	15	PLUG	-	-	-	-	16	PLUG	-	-	-	-	17	L71	18	OR	3559035C1	3509903C1	18	L71A	18	OR	3559035C1	3509903C1	19	L17C	18	PK	3509874C1	3509903C1	20	L92AB	16	TN	3559035C1	3509903C1	21	L92AA	16	TN	3559035C1	3509903C1	22	PLUG	-	-	-	-	23	PLUG	-	-	-	-	24	PLUG	-	-	-	-
CAV	CIR	GAUGE	COLOR	TERM	SEAL																																																																																																																																																																																																																																																																																																																																																																																																																						
A	PLUG	-	-	-	-																																																																																																																																																																																																																																																																																																																																																																																																																						
B	J92A128	18	TN	1661875C1	1661872C1																																																																																																																																																																																																																																																																																																																																																																																																																						
C	J92A110	18	TN	1661875C1	1661872C1																																																																																																																																																																																																																																																																																																																																																																																																																						
D	J71	18	OR	1661875C1	1661872C1																																																																																																																																																																																																																																																																																																																																																																																																																						
E	PLUG	-	-	-	-																																																																																																																																																																																																																																																																																																																																																																																																																						
F	PLUG	-	-	-	-																																																																																																																																																																																																																																																																																																																																																																																																																						
G	J13M	18	PK	1661875C1	1661872C1																																																																																																																																																																																																																																																																																																																																																																																																																						
H	J71AA	18	OR	1661875C1	1661872C1																																																																																																																																																																																																																																																																																																																																																																																																																						
CAV	CIR	GAUGE	COLOR	TERM	SEAL																																																																																																																																																																																																																																																																																																																																																																																																																						
A	PLUG	-	-	-	-																																																																																																																																																																																																																																																																																																																																																																																																																						
B	L92B128	18	TN	1667742C1	1661872C1																																																																																																																																																																																																																																																																																																																																																																																																																						
C	L92A110	18	TN	1667742C1	1661872C1																																																																																																																																																																																																																																																																																																																																																																																																																						
D	L71	16	OR	1667742C1	1661872C1																																																																																																																																																																																																																																																																																																																																																																																																																						
E	PLUG	-	-	-	-																																																																																																																																																																																																																																																																																																																																																																																																																						
F	PLUG	-	-	-	-																																																																																																																																																																																																																																																																																																																																																																																																																						
G	L13M4	18	PK	1667742C1	1661872C1																																																																																																																																																																																																																																																																																																																																																																																																																						
H	L71A	16	OR	1667742C1	1661872C1																																																																																																																																																																																																																																																																																																																																																																																																																						
CAV	CIR	GAUGE	COLOR	TERM	SEAL																																																																																																																																																																																																																																																																																																																																																																																																																						
1	PLUG	-	-	-	-																																																																																																																																																																																																																																																																																																																																																																																																																						
2	PLUG	-	-	-	-																																																																																																																																																																																																																																																																																																																																																																																																																						
3	J92Z	16	TN	3559037C1	3509903C1																																																																																																																																																																																																																																																																																																																																																																																																																						
4	J92AE	16	TN	3559037C1	3509903C1																																																																																																																																																																																																																																																																																																																																																																																																																						
5	J92AD	16	TN	3559037C1	3509903C1																																																																																																																																																																																																																																																																																																																																																																																																																						
6	J92AC	16	TN	3559037C1	3509903C1																																																																																																																																																																																																																																																																																																																																																																																																																						
7	PLUG	-	-	-	-																																																																																																																																																																																																																																																																																																																																																																																																																						
8	PLUG	-	-	-	-																																																																																																																																																																																																																																																																																																																																																																																																																						
9	J5AX(+)	20	YL	3559036C1	3532128C1																																																																																																																																																																																																																																																																																																																																																																																																																						
10	J5AX(-)	20	GN	3559036C1	3532128C1																																																																																																																																																																																																																																																																																																																																																																																																																						
11	J5AX(S)	20	NONE	3559036C1	3532128C1																																																																																																																																																																																																																																																																																																																																																																																																																						
12	J11-GAM	12	WH	3559037C1	3509903C1																																																																																																																																																																																																																																																																																																																																																																																																																						
13	J14AW	12	RD	3559037C1	3509903C1																																																																																																																																																																																																																																																																																																																																																																																																																						
14	PLUG	-	-	-	-																																																																																																																																																																																																																																																																																																																																																																																																																						
15	PLUG	-	-	-	-																																																																																																																																																																																																																																																																																																																																																																																																																						
16	PLUG	-	-	-	-																																																																																																																																																																																																																																																																																																																																																																																																																						
17	J71	18	LT BL	3559036C1	3532128C1																																																																																																																																																																																																																																																																																																																																																																																																																						
18	J71A	18	PK	3559036C1	3532128C1																																																																																																																																																																																																																																																																																																																																																																																																																						
19	J17C	18	PK	3559036C1	3532128C1																																																																																																																																																																																																																																																																																																																																																																																																																						
20	J92AB	16	TN	3559037C1	3509903C1																																																																																																																																																																																																																																																																																																																																																																																																																						
21	J92AA	16	TN	3559037C1	3509903C1																																																																																																																																																																																																																																																																																																																																																																																																																						
22	PLUG	-	-	-	-																																																																																																																																																																																																																																																																																																																																																																																																																						
23	PLUG	-	-	-	-																																																																																																																																																																																																																																																																																																																																																																																																																						
24	PLUG	-	-	-	-																																																																																																																																																																																																																																																																																																																																																																																																																						
CAV	CIR	GAUGE	COLOR	TERM	SEAL																																																																																																																																																																																																																																																																																																																																																																																																																						
1	PLUG	-	-	-	-																																																																																																																																																																																																																																																																																																																																																																																																																						
2	PLUG	-	-	-	-																																																																																																																																																																																																																																																																																																																																																																																																																						
3	L92Z	16	TN	3559035C1	3509903C1																																																																																																																																																																																																																																																																																																																																																																																																																						
4	L92AE	16	TN	3559035C1	3509903C1																																																																																																																																																																																																																																																																																																																																																																																																																						
5	L92AD	16	TN	3559035C1	3509903C1																																																																																																																																																																																																																																																																																																																																																																																																																						
6	L92AC	16	TN	3559035C1	3509903C1																																																																																																																																																																																																																																																																																																																																																																																																																						
7	L31F	18	TN	3509874C1	3509903C1																																																																																																																																																																																																																																																																																																																																																																																																																						
8	L31GF	18	TN	3509874C1	3509903C1																																																																																																																																																																																																																																																																																																																																																																																																																						
9	L5AX(+)	20	YL	3509874C1	3509903C1																																																																																																																																																																																																																																																																																																																																																																																																																						
10	L5AX(-)	20	GN	3509874C1	3509903C1																																																																																																																																																																																																																																																																																																																																																																																																																						
11	L5AX(S)	20	NONE	3509874C1	3509903C1																																																																																																																																																																																																																																																																																																																																																																																																																						
12	L11-GAM	12	WH	3559035C1	3509903C1																																																																																																																																																																																																																																																																																																																																																																																																																						
13	L14AW	12	RD	3559035C1	3509903C1																																																																																																																																																																																																																																																																																																																																																																																																																						
14	PLUG	-	-	-	-																																																																																																																																																																																																																																																																																																																																																																																																																						
15	PLUG	-	-	-	-																																																																																																																																																																																																																																																																																																																																																																																																																						
16	PLUG	-	-	-	-																																																																																																																																																																																																																																																																																																																																																																																																																						
17	L71	18	OR	3559035C1	3509903C1																																																																																																																																																																																																																																																																																																																																																																																																																						
18	L71A	18	OR	3559035C1	3509903C1																																																																																																																																																																																																																																																																																																																																																																																																																						
19	L17C	18	PK	3509874C1	3509903C1																																																																																																																																																																																																																																																																																																																																																																																																																						
20	L92AB	16	TN	3559035C1	3509903C1																																																																																																																																																																																																																																																																																																																																																																																																																						
21	L92AA	16	TN	3559035C1	3509903C1																																																																																																																																																																																																																																																																																																																																																																																																																						
22	PLUG	-	-	-	-																																																																																																																																																																																																																																																																																																																																																																																																																						
23	PLUG	-	-	-	-																																																																																																																																																																																																																																																																																																																																																																																																																						
24	PLUG	-	-	-	-																																																																																																																																																																																																																																																																																																																																																																																																																						
(CONTINUED ON NEXT PAGE)																																																																																																																																																																																																																																																																																																																																																																																																																											
CHK	DATE	CHANGE	REV	REFERENCE	DRAWN	NAME																																																																																																																																																																																																																																																																																																																																																																																																																					
PEC	19JAN01	PRODUCTION RELEASE.	A	P54304U	U00DAG9	42/43/44/85/8600 & 73/74/7500 CIRC DIAGRAMS																																																																																																																																																																																																																																																																																																																																																																																																																					
					RELEASE NO.	DATE	PART NO.	SHEET																																																																																																																																																																																																																																																																																																																																																																																																																			
					P52778H	28JUN00	AE08-52376	30																																																																																																																																																																																																																																																																																																																																																																																																																			

Figure 129 Connector Composites (4450A), (4460A), (4460), (4705)

12.31. CONNECTOR COMPOSITES (4705), (4810), (4820), (4830), (4840), P. 31

INTERNATIONAL TRUCK AND ENGINE CORPORATION				ELECTRICAL CIRCUIT DIAGRAM CHAPTER 12									
THIS PRINT IS PROVIDED ON A RESTRICTED BASIS AND IS NOT TO BE USED IN ANY WAY DETRIMENTAL TO THE INTEREST OF INTERNATIONAL TRUCK AND ENGINE CORPORATION.				CONNECTOR COMPOSITES - MATING VIEW SHOWN									
TRANSMISSION/DASH (4705) (CONTINUED FROM PREVIOUS PAGE)													
DASH HARNESS		W/ALLISON WTEC XMSN			XMSN HARNESS		W/ALLISON WTEC XMSN						
CAV	CIR	GAUGE	COLOR	TERM	SEAL	NOTES	CAV	CIR	GAUGE	COLOR	TERM	SEAL	NOTES
1	J92#170	18	TN	3559036C1	3509903C1		1	L92#170	18	TN	3509874C1	3532128C1	
2	J92#171	18	TN	3559036C1	3509903C1		2	L92#171	18	TN	3509874C1	3532128C1	
3	J92#172	18	TN	3559036C1	3509903C1		3	L92#172	18	TN	3509874C1	3532128C1	
4	J92#173	18	TN	3559036C1	3509903C1		4	L92#173	18	TN	3509874C1	3532128C1	
5	J92#174	18	TN	3559036C1	3509903C1		5	L92#174	18	TN	3509874C1	3532128C1	
6	J92#114	18	TN	3559036C1	3509903C1	W/AUTO NEUTRAL	6	L92#114	18	TN	3509874C1	3532128C1	
7	J92#175	18	TN	3559036C1	3509903C1		7	L92#175	18	TN	3509874C1	3532128C1	
8	J92#124	18	TN	3559036C1	3509903C1		8	L92#124	18	TN	3509874C1	3532128C1	
9	J92#180	18	TN	3559036C1	3509903C1		9	L92#180	18	TN	3509874C1	3532128C1	
10	J17B	18	PK	3559036C1	3509903C1	W/AUTO NEUTRAL	10	L17B	18	PK	3509874C1	3532128C1	
11	J92DL	18	TN	3559036C1	3509903C1	W/AUTO NEUTRAL	11	L92DL	18	TN	3509874C1	3532128C1	
12	J92#146	18	TN	3559036C1	3509903C1		12	L92#146	18	TN	3509874C1	3532128C1	
13	J71#113	18	OR	3559036C1	3509903C1		13	L71#113	18	OR	3509874C1	3532128C1	
14	J92C123	18	TN	3559036C1	3509903C1		14	L92A123	18	TN	3509874C1	3532128C1	W/AUTO NEUTRAL
15	J3#142	18	DK BL	3559036C1	3509903C1		14	L93C123	18	TN	3509874C1	3532128C1	W/AUTO NEUTRAL
16	J3-151	18	GY	3559036C1	3509903C1		15	L3#142	18	WH	3509874C1	3532128C1	
17	PLUG	-	-	-	-		16	L3-151	18	DK BL	3509874C1	3532128C1	
18	J92D136	18	TN	3559036C1	3509903C1		17	PLUG	-	-	-	-	
19	J92D143	18	TN	3559036C1	3509903C1		18	L92D136	18	TN	3509874C1	3532128C1	
20	PLUG	-	-	-	-		19	L92D143	18	TN	3509874C1	3532128C1	
21	PLUG	-	-	-	-		20	PLUG	-	-	-	-	
22	PLUG	-	-	-	-		21	PLUG	-	-	-	-	
23	PLUG	-	-	-	-		22	PLUG	-	-	-	-	
24	PLUG	-	-	-	-		23	PLUG	-	-	-	-	
							24	PLUG	-	-	-	-	

BACKUP LIGHT TURN SIGNAL SPLICE (4810) (LOCATED NEAR POWER DISTRIBUTION CENTER)						
			CONNECTOR - 3543733C1 LOCK - 3543732C1 PLUG - 3535425C1 BUS BAR - 3543736C1			
CAV	CIR	GAUGE	COLOR	TERM	SEAL	NOTES
	RIGHT TURN	BUS	BAR			
A	J57AA	16	OR	3535303C1	3535424C1	
B	J57A	16	OR	3535303C1	3535424C1	
C	J57H	16	OR	3535303C1	3535424C1	
D	J57BC	16	OR	3535303C1	3535424C1	
	LEFT TURN	BUS	BAR			
E	J56AA	16	OR	3535303C1	3535424C1	
F	J56A	16	OR	3535303C1	3535424C1	
G	J56H	16	OR	3535303C1	3535424C1	
H	J56BC	16	OR	3535303C1	3535424C1	
	BACK UP	LIGHT	BUS	BAR		
J	J71A	18	OR	3535303C1	3535424C1	
K	J71BB	16	OR	3535303C1	3535424C1	
L	J71AA	18	OR	3535303C1	3535424C1	W/MANUAL XMSN
L	J71AA	18	OR	3535303C1	3535424C1	W/ALLISON LCT
L	J71B	18	OR	3535303C1	3535424C1	W/ALLISON WTEC
L	J71A	18	PK	3535303C1	3535424C1	W/EATON AUTOSHIFT
M	PLUG	-	-	-	-	

J1708 & 5 VOLT REF SPLICE (4820) (LOCATED NEAR WIPER MOTOR BRACKET)						
			CONNECTOR - 3543733C1 LOCK - 3543732C1 PLUG - 3535425C1 BUS BAR - 3543736C1			
CAV	CIR	GAUGE	COLOR	TERM	SEAL	NOTES
	5 VOLT REF	BUS	BAR			
A	J6BA	18	GY	3535303C1	3535424C1	
B	J6A	18	GY	3535303C1	3535424C1	
C	J6E	18	LT GN	3535303C1	3535424C1	
D	PLUG	-	-	-	-	
	DATA LINK	J1708	POSITIVE	BUS BAR		
E	J3A(+)	18	DK BL	3535303C1	3535424C1	
F	J3B(+)	18	DK BL	3535303C1	3535424C1	
G	J3D(+)	18	DK BL	3535303C1	3535424C1	W/AIR ABS
G	J3C(+)	18	DK BL	3535303C1	3535424C1	W/HYD ABS
H	J3#142	18	DK BL	3535303C1	3535424C1	
	DATA LINK	J1708	NEGATIVE	BUS BAR		
J	J3A(-)	18	GY	3535303C1	3535424C1	
K	J3B(-)	18	GY	3535303C1	3535424C1	
L	J3D(-)	18	GY	3535303C1	3535424C1	W/AIR ABS
L	J3C(-)	18	GY	3535303C1	3535424C1	W/HYD ABS
M	J3-151	18	GY	3535303C1	3535424C1	

ELECTRONIC REF GROUND SPLICE (4830) (LOCATED NEAR POWER DISTRIBUTION CENTER)						
			CONNECTOR - 3543730C1 LOCK - 3543732C1			
			PLUG - 3535425C1 BUS BAR - 3543735C1			
CAV	CIR	GAUGE	COLOR	TERM	SEAL	NOTES
A	J9G	18	GY	3535303C1	3535424C1	
B	J9A	18	GY	3535303C1	3535424C1	
C	PLUG	-	-	-	-	
D	J9EA	18	GY	3535303C1	3535424C1	
E	PLUG	-	-	-	-	
F	PLUG	-	-	-	-	
G	J9L	20	GY	3535302C1	3535424C1	
H	J9K	20	GY	3535302C1	3535424C1	
J	J9Y	20	GY	3535302C1	3535424C1	
K	PLUG	-	-	-	-	
L	J9X	18	GY	3535303C1	3535424C1	
M	J87H	18	GY	3535303C1	3535424C1	

RELAY COIL IGNITION SPLICE (4840) (LOCATED INSIDE POWER DISTRIBUTION CENTER)						
			CONNECTOR - 2006789C1 LOCK - 2006792C1 COVER - 2006790C1 BUS BAR - 2006791C1			
CAV	CIR	GAUGE	COLOR	TERM	SEAL	NOTES
A	J13X	18	PK	1661208C1		
B	J9#HE	18	GY	1661208C1		
C	J13AS	18	PK	1661208C1		
E	J13AV	18	PK	1661208C1		

CHK	DATE	CHANGE	REV	REFERENCE	DRAWN	NAME
PEC	19JAN01	PRODUCTION RELEASE.	A	P54304U	U00DAG9	42/43/44/85/8600 & 73/74/7500 CIRC DIAGRAMS
					RELEASE NO.	DATE
					P52778H	21JUN00
					PART NO.	SHEET
					AE08-52376	31

Figure 130 Connector Composites (4705), (4810), (4820), (4830), (4840)

12.32. CONNECTOR COMPOSITES (4850), (4910), (4950), (6001), (6002), P. 32

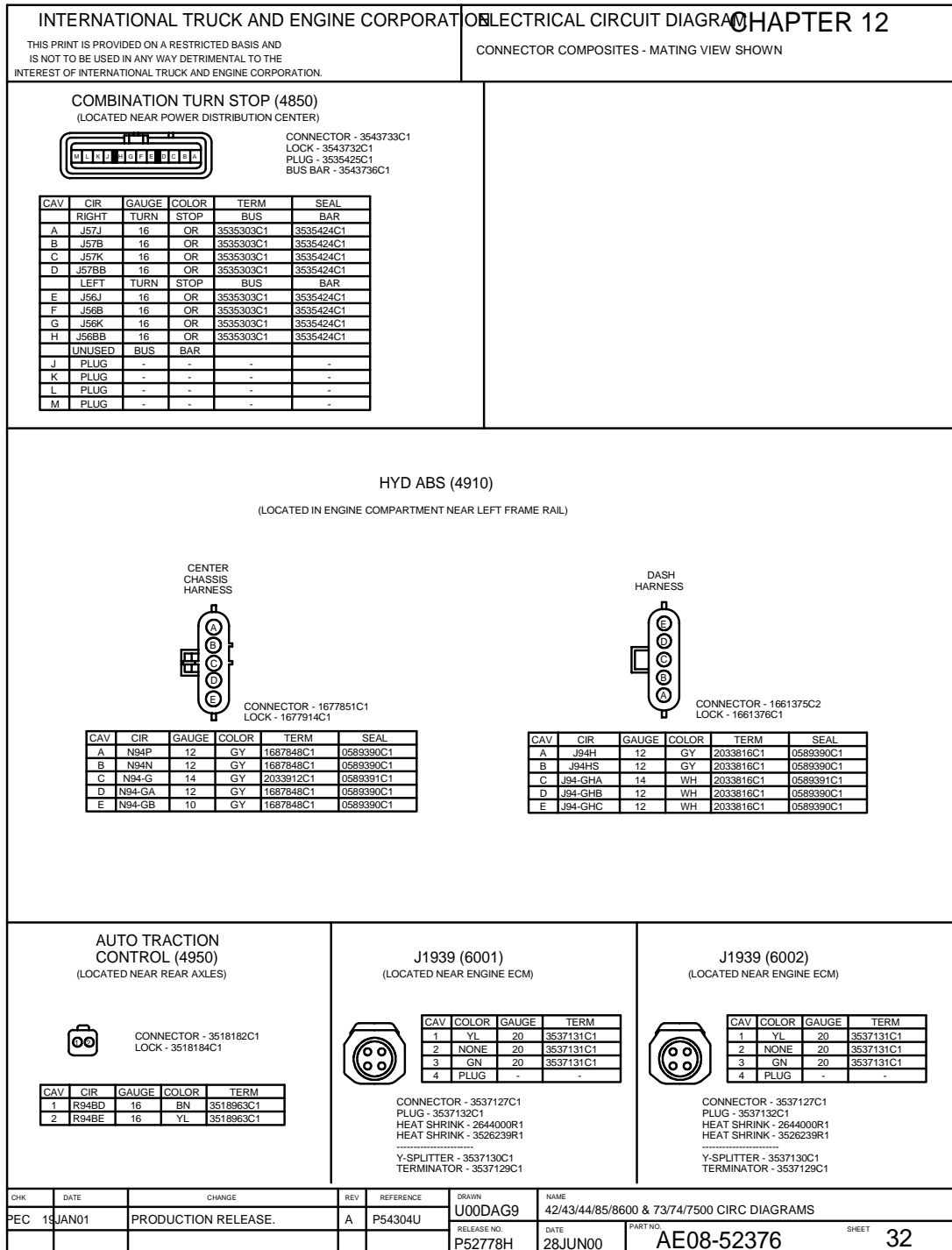
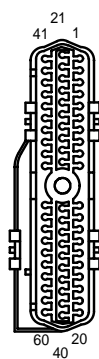


Figure 131 Connector Composites (4850), (4910), (4950), (6001), (6002)

12.33. CONNECTOR COMPOSITES (6007), (6008), (6009), (6011), (6012), P. 33

INTERNATIONAL TRUCK AND ENGINE CORPORATION		ELECTRICAL CIRCUIT DIAGRAM CHAPTER 12	
THIS PRINT IS PROVIDED ON A RESTRICTED BASIS AND IS NOT TO BE USED IN ANY WAY DETRIMENTAL TO THE INTEREST OF INTERNATIONAL TRUCK AND ENGINE CORPORATION.		CONNECTOR COMPOSITES - MATING VIEW SHOWN	


CEC (6007)
(LOCATED ON ENGINE ECM)



CONNECTOR - 3541979C1
LOCK - 2041419C1
PLUG - 2041421C2
COVER - 3541958C91

CAV	CIR	GAUGE	COLOR	TERM	CAV	CIR	GAUGE	COLOR	TERM	NOTES
1	K97V	14	VT	2041420C1	31	K46A	18	GY	2041419C1	
2	K97P	14	VT	2041420C1	32	K46B	18	GY	2041419C1	
3	K97C	18	VT	2041419C1	33	PLUG	-	-	-	
4	K97HE	18	VT	2041419C1	34	PLUG	-	-	-	
5	K97DD	18	VT	2041419C1	35	PLUG	-	-	-	
6	K97HM	18	VT	2041419C1	36	K97CC	18	VT	2041419C1	
7	K97WA	18	VT	2041419C1	37	K97CB	18	VT	2041419C1	
8	K99T	18	VT	2041419C1	38	PLUG	-	-	-	
9	K97XC	18	VT	2041419C1	39	K47	18	GY	2041419C1	
10	K34A	18	TN	2041419C1	40	K47A	18	GY	2041419C1	
11	K97D	18	VT	2041419C1	41	K97L	14	PL	2041420C1	
12	K97E	16	VT	2041420C1	42	K97Y	14	VT	2041420C1	
13	K97EA	18	VT	2041419C1	43	PLUG	-	-	-	
14	PLUG	-	-	-	44	PLUG	-	-	-	
15	PLUG	-	-	-	45	PLUG	-	-	-	
16	K3A(+)	18	DK BL	2041419C1	46	K17M	18	WH	2041419C1	N/OVERCRANK PROT
17	K3B(-)	18	GY	2041419C1	46	K17L	18	PK	2041419C1	W/OVERCRANK PROT
18	K5AE	20	NONE	2041419C1	47	K24A	18	GY	2041419C1	
19	K5V	20	YL	2041419C1	48	PLUG	-	-	-	
20	K5W	20	GN	2041419C1	49	K97HG	18	VT	2041419C1	
21	K97F	14	PL	2041420C1	50	PLUG	-	-	-	
22	K97Z	14	PL	2041420C1	51	PLUG	-	-	-	
23	K97N	14	VT	2041420C1	52	PLUG	-	-	-	
24	K97M	16	VT	2041420C1	53	PLUG	-	-	-	
25	K97J	16	VT	2041420C1	54	K97WL	18	VT	2041419C1	
26	K17E	18	VT	2041419C1	55	K97EW	18	VT	2041419C1	
27	K99S	18	VT	2041419C1	56	PLUG	-	-	-	
28	PLUG	-	-	-	57	PLUG	-	-	-	
29	K97K	18	VT	2041419C1	58	K47B	18	GY	2041419C1	
30	K99F	18	VT	2041419C1	59	K97AR	18	VT	2041419C1	
					60	PLUG	-	-	-	


J1939 (6008)
(LOCATED NEAR ENGINE ECM)



CAV	COLOR	GAUGE	TERM
1	YL	20	3537131C1
2	NONE	20	3537131C1
3	GN	20	3537131C1
4	PLUG	-	-

CONNECTOR - 3537127C1
PLUG - 3537132C1
HEAT SHRINK - 2644000R1
HEAT SHRINK - 3526239R1
Y-SPLITTER - 3537130C1
TERMINATOR - 3537129C1

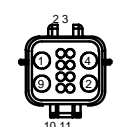
J1939 (6009)
(LOCATED NEAR ENGINE ECM)



CAV	COLOR	GAUGE	TERM
1	YL	20	3537131C1
2	NONE	20	3537131C1
3	GN	20	3537131C1
4	PLUG	-	-

CONNECTOR - 3537127C1
PLUG - 3537132C1
HEAT SHRINK - 2644000R1
HEAT SHRINK - 3526239R1
Y-SPLITTER - 3537130C1
TERMINATOR - 3537129C1

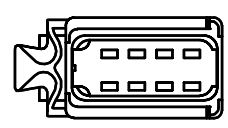
ENGINE IDM2 (6011)
(LOCATED NEAR ENGINE IDM)



CAV	CIR	GAUGE	COLOR	TERM
1	K97-GA	12	WH	3549415C1
2	PLUG	-	-	-
3	PLUG	-	-	-
4	PLUG	-	-	-
5	PLUG	-	-	-
6	K97	18	VT	3549418C1
7	PLUG	-	-	-
8	K97M	16	VT	3549417C1
9	K97LA	16	PL	3549416C1
10	PLUG	-	-	-
11	PLUG	-	-	-
12	K97Y	12	VT	3549415C1

CONNECTOR - 3549412C1

ECM2 (6012)
(LOCATED ON ENGINE ECM)



CONNECTOR - 3549411C1
SMALL PLUG - 3549421C1
LARGE PLUG - 3549422C1

CAV	CIR	GAUGE	COLOR	TERM	SEAL	CAV	CIR	GAUGE	COLOR	TERM	SEAL
1	K3A(+)	18	BK	3549413C1	3549419C1	22	K47	18	GY	3549413C1	3549419C1
2	K3B(-)	18	BK	3549413C1	3549419C1	23	PLUG	-	-	-	-
3	K97C	18	VT	3549413C1	3549419C1	24	K17L	18	PK	3549413C1	3549419C1
4	PLUG	-	-	-	-	25	K24A	18	GY	3549413C1	3549419C1
5	K97J	18	VT	3549413C1	3549419C1	26	PLUG	-	-	-	-
6	K9V	16	WH	3549414C1	3549420C1	27	PLUG	-	-	-	-
7	K9W	16	WH	3549414C1	3549420C1	28	PLUG	-	-	-	-
8	K97F	16	VT	3549414C1	3549420C1	29	K99T	18	VT	3549413C1	3549419C1
9	K97Z	16	VT	3549414C1	3549420C1	30	PLUG	-	-	-	-
10	K47A	18	GY	3549413C1	3549419C1	31	K99S	18	VT	3549413C1	3549419C1
11	K92A	18	TN	3549413C1	3549419C1	32	K97K	18	VT	3549413C1	3549419C1
12	K23A	18	TN	3549413C1	3549419C1	33	K5V	20	YL	3549413C1	3549419C1
13	PLUG	-	-	-	-	34	K34A	18	TN	3549413C1	3549419C1
14	PLUG	-	-	-	-	35	K97AD	18	VT	3549413C1	3549419C1
15	PLUG	-	-	-	-	36	PLUG	-	-	-	-
16	PLUG	-	-	-	-	37	PLUG	-	-	-	-
17	K97D	18	VT	3549413C1	3549419C1	38	PLUG	-	-	-	-
18	PLUG	-	-	-	-	39	PLUG	-	-	-	-
19	PLUG	-	-	-	-	40	PLUG	-	-	-	-
20	K5AE	20	NONE	3549413C1	3549419C1	41	PLUG	-	-	-	-
21	K5W	20	GN	3549413C1	3549419C1	42	PLUG	-	-	-	-

CHK	DATE	CHANGE	REV	REFERENCE	DRAWN	NAME				
PEC	19JAN01	PRODUCTION RELEASE.	A	P54304U	U00DAG9	42/43/44/85/8600 & 73/74/7500 CIRC DIAGRAMS				
					RELEASE NO.	DATE	PARTNO	SHEET		
					P52778H	31MAY00	AE08-52376	33		

Figure 132 Connector Composites (6007), (6008), (6009), (6011), (6012)

12.34. CONNECTOR COMPOSITES (6200), (6316), (6323), (6332), (6333), (6334), (6400), (6401), (6406), (6500), (6550), (6703), (6704), P. 34

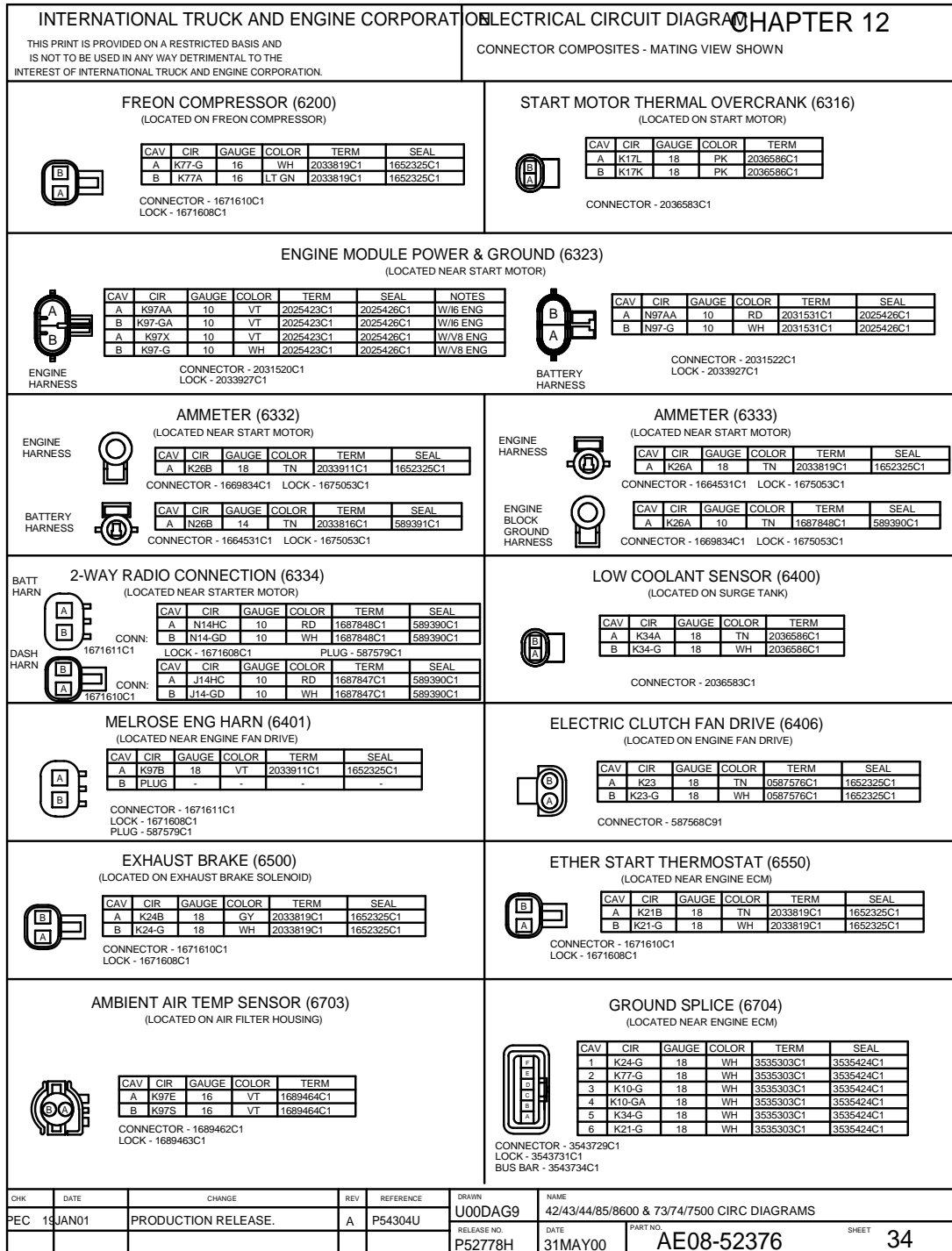



Figure 133 Connector Composites (6200), (6316), (6323), (6332), (6333), (6334), (6400), (6401), (6406), (6500), (6550), (6703), (6704)

12.35. CONNECTOR COMPOSITES (7103), (7104), (7104A), (7200), P. 35

INTERNATIONAL TRUCK AND ENGINE CORPORATION		ELECTRICAL CIRCUIT DIAGRAM		CHAPTER 12	
THIS PRINT IS PROVIDED ON A RESTRICTED BASIS AND IS NOT TO BE USED IN ANY WAY DETRIMENTAL TO THE INTEREST OF INTERNATIONAL TRUCK AND ENGINE CORPORATION.		CONNECTOR COMPOSITES - MATING VIEW SHOWN			

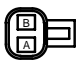
**2 SPEED AXLE
BOOT CONNECTOR
(7103)**




CAV	CIR	GAUGE	COLOR	TERM	SEAL
A	L93	18	TN	1661208C1	N/A
B	-	-	-	-	-
C	L93G	18	TN	1661208C1	N/A

CONNECTOR - 1661198C1

**CLEAN BATTERY
FEED
(7104)**



CONNECTOR - 1671610C1
LOCK - 1671608C1



CONNECTOR - 1671611C1
LOCK - 1671608C1

CAV	CIR	GAUGE	COLOR	TERM	SEAL
A	N92A	10	RD	1687847C1	0589390C1
B	N92-G	10	WH	1687847C1	0589390C1

CAV	CIR	GAUGE	COLOR	TERM	SEAL
A	L92#136	10	TN	1687848C1	0589390C1
B	L92#143	10	TN	1687848C1	0589390C1

WTEC W/6

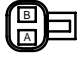
CAV	CIR	GAUGE	COLOR	TERM	SEAL
A	L92#103	18	TN	2033911C1	3517771C1
B	L92-G	18	TN	2033911C1	1652325C1

LCT W/6

CAV	CIR	GAUGE	COLOR	TERM	SEAL
A	K92B	10	TN	1687848C1	0589390C1
B	K92-G	10	TN	1687848C1	0589390C1

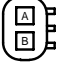
WTEC OR LCT W/6

**ENG/TRANS
POWER & GND
(7104A)**



CONNECTOR - 1671610C1
LOCK - 1671608C1

CAV	CIR	GAUGE	COLOR	TERM	SEAL
A	K92B	10	TN	1687847C1	0589390C1
B	K92-G	10	TN	1687847C1	0589390C1



CONNECTOR - 1671611C1
LOCK - 1671608C1


WTEC W/8

CAV	CIR	GAUGE	COLOR	TERM	SEAL
A	L92#136	10	TN	1687848C1	0589390C1
B	L92#143	10	TN	1687848C1	0589390C1

LCT W/8

CAV	CIR	GAUGE	COLOR	TERM	SEAL
A	L92#103	18	TN	2033911C1	3517771C1
B	L92-G	18	TN	2033911C1	1652325C1

**TRANSMISSION BULKHEAD
CONNECTION (WTEC)
(7200)**



CONNECTOR - 3508926C1
PLUG - 3508928C1

CAV	CIR	GAUGE	COLOR	TERM	SEAL
A	L92#102	18	TN	3508927C1	N/A
B	L92#103	18	TN	3508927C1	N/A
C	L92#104	18	TN	3508927C1	N/A
D	L92A124	18	TN	3508927C1	N/A
E	L92#107	18	TN	3508927C1	N/A
F	L92#110	18	TN	3508927C1	N/A
G	L92#120	18	TN	3508927C1	N/A
H	L92#121	18	TN	3508927C1	N/A
J	L92#128	18	TN	3508927C1	N/A
K	L92#129	18	TN	3508927C1	N/A
L	L92#130	18	TN	3508927C1	N/A
M	L92#131	18	TN	3508927C1	N/A
N	L92B135	18	TN	3508927C1	N/A
P	L31#147	18	TN	3508927C1	N/A
U	L92A140	18	TN	3508927C1	N/A
V	L92A149	18	TN	3508927C1	N/A
W	L92#195	18	TN	3508927C1	N/A
X	L92#162	18	TN	3508927C1	N/A
Y	L92#165	18	TN	3508927C1	N/A
a	PLUG				
b	PLUG				
c	PLUG				
d	PLUG				
e	PLUG				
f	PLUG				
g	PLUG				

CHK	DATE	CHANGE	REV	REFERENCE	DRAWN	NAME
PEC	15JAN01	PRODUCTION RELEASE.	A	P54304U	U00EDL2	42/43/44/85/8600 & 73/74/7500 CIRC DIAGRAMS
					RELEASE NO.	DATE
					P52778H	31MAY00
					PART NO.	SHEET
					AE08-52376	35

Figure 134 Connector Composites (7103), (7104), (7104A), (7200)

12.36. CONNECTOR COMPOSITES (7202), (7203), P. 36

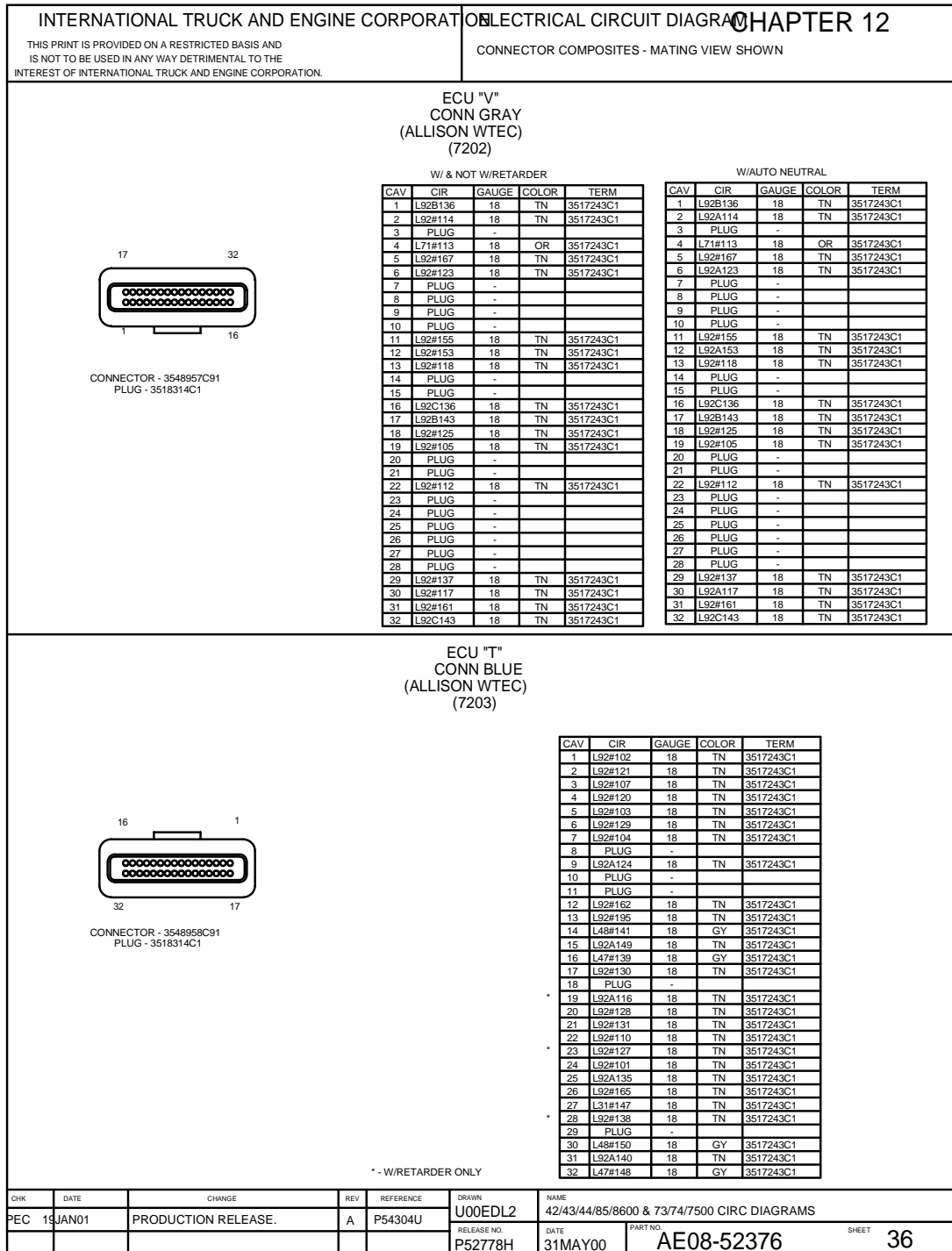


Figure 135 Connector Composites (7202), (7203)

12.37. CONNECTOR COMPOSITES (7204), (7205), (7206), P. 37

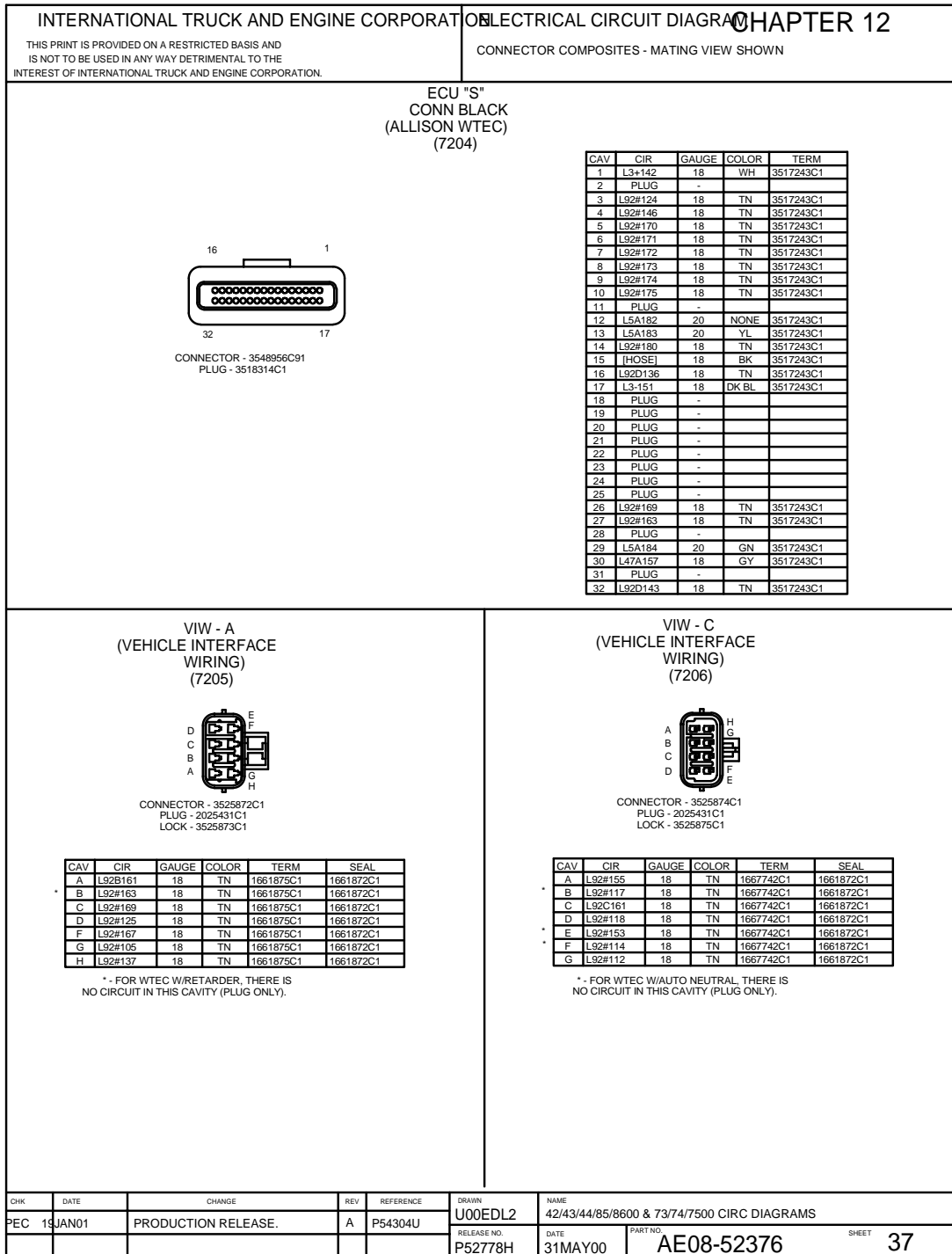


Figure 136 Connector Composites (7204), (7205), (7206)

12.38. CONNECTOR COMPOSITES (7207), (7208), (7211), (7212), (7213), (7300), (7301), P. 38








INTERNATIONAL TRUCK AND ENGINE CORPORATION		ELECTRICAL CIRCUIT DIAGRAM CHAPTER 12																																																																																																																									
THIS PRINT IS PROVIDED ON A RESTRICTED BASIS AND IS NOT TO BE USED IN ANY WAY DETRIMENTAL TO THE INTEREST OF INTERNATIONAL TRUCK AND ENGINE CORPORATION.		CONNECTOR COMPOSITES - MATING VIEW SHOWN																																																																																																																									
<p>J1939 CONNECTOR SPLICE (7207)</p>  <p>CONNECTOR - 3537127C1 PLUG - 3537132C1</p> <table border="1" style="width:100%; border-collapse: collapse; font-size: x-small;"> <thead> <tr><th>CAV</th><th>CIR</th><th>GAUGE</th><th>COLOR</th><th>TERM</th></tr> </thead> <tbody> <tr><td>1</td><td>L5B183</td><td>20</td><td>YL</td><td>3537131C1</td></tr> <tr><td>2</td><td>L5B182</td><td>20</td><td>NONE</td><td>3537131C1</td></tr> <tr><td>3</td><td>L5B184</td><td>20</td><td>GN</td><td>3537131C1</td></tr> <tr><td>4</td><td>PLUG</td><td>-</td><td>-</td><td>-</td></tr> </tbody> </table>		CAV	CIR	GAUGE	COLOR	TERM	1	L5B183	20	YL	3537131C1	2	L5B182	20	NONE	3537131C1	3	L5B184	20	GN	3537131C1	4	PLUG	-	-	-	<p>J1939 CONNECTOR SPLICE (7208)</p>  <p>CONNECTOR - 3537127C1 PLUG - 3537132C1</p> <table border="1" style="width:100%; border-collapse: collapse; font-size: x-small;"> <thead> <tr><th>CAV</th><th>CIR</th><th>GAUGE</th><th>COLOR</th><th>TERM</th></tr> </thead> <tbody> <tr><td>1</td><td>L5A183</td><td>20</td><td>YL</td><td>3537131C1</td></tr> <tr><td>2</td><td>L5A182</td><td>20</td><td>NONE</td><td>3537131C1</td></tr> <tr><td>3</td><td>L5A184</td><td>20</td><td>GN</td><td>3537131C1</td></tr> <tr><td>4</td><td>PLUG</td><td>-</td><td>-</td><td>-</td></tr> </tbody> </table>		CAV	CIR	GAUGE	COLOR	TERM	1	L5A183	20	YL	3537131C1	2	L5A182	20	NONE	3537131C1	3	L5A184	20	GN	3537131C1	4	PLUG	-	-	-																																																																						
CAV	CIR	GAUGE	COLOR	TERM																																																																																																																							
1	L5B183	20	YL	3537131C1																																																																																																																							
2	L5B182	20	NONE	3537131C1																																																																																																																							
3	L5B184	20	GN	3537131C1																																																																																																																							
4	PLUG	-	-	-																																																																																																																							
CAV	CIR	GAUGE	COLOR	TERM																																																																																																																							
1	L5A183	20	YL	3537131C1																																																																																																																							
2	L5A182	20	NONE	3537131C1																																																																																																																							
3	L5A184	20	GN	3537131C1																																																																																																																							
4	PLUG	-	-	-																																																																																																																							
<p>RETARDER TEMP SENDER (7211)</p>  <p>CONNECTOR - 3524377C1 PLUG - 1687788C1</p> <table border="1" style="width:100%; border-collapse: collapse; font-size: x-small;"> <thead> <tr><th>CAV</th><th>CIR</th><th>GAUGE</th><th>COLOR</th><th>TERM</th></tr> </thead> <tbody> <tr><td>A</td><td>L92#138</td><td>18</td><td>TN</td><td>2036586C1</td></tr> <tr><td>B</td><td>L92C135</td><td>18</td><td>TN</td><td>2036586C1</td></tr> </tbody> </table>		CAV	CIR	GAUGE	COLOR	TERM	A	L92#138	18	TN	2036586C1	B	L92C135	18	TN	2036586C1	<p>RETARDER ACCUMULATOR SOLENOID (7212)</p>  <p>CONNECTOR - 3524378C1 PLUG - 1687788C1</p> <table border="1" style="width:100%; border-collapse: collapse; font-size: x-small;"> <thead> <tr><th>CAV</th><th>CIR</th><th>GAUGE</th><th>COLOR</th><th>TERM</th></tr> </thead> <tbody> <tr><td>A</td><td>L92#101</td><td>18</td><td>TN</td><td>2036586C1</td></tr> <tr><td>B</td><td>L92N116</td><td>18</td><td>TN</td><td>2036586C1</td></tr> </tbody> </table>		CAV	CIR	GAUGE	COLOR	TERM	A	L92#101	18	TN	2036586C1	B	L92N116	18	TN	2036586C1																																																																																										
CAV	CIR	GAUGE	COLOR	TERM																																																																																																																							
A	L92#138	18	TN	2036586C1																																																																																																																							
B	L92C135	18	TN	2036586C1																																																																																																																							
CAV	CIR	GAUGE	COLOR	TERM																																																																																																																							
A	L92#101	18	TN	2036586C1																																																																																																																							
B	L92N116	18	TN	2036586C1																																																																																																																							
<p>RETARDER SOLENOID (7213)</p>  <p>CONNECTOR - 2036584C1 PLUG - 1687788C1</p> <table border="1" style="width:100%; border-collapse: collapse; font-size: x-small;"> <thead> <tr><th>CAV</th><th>CIR</th><th>GAUGE</th><th>COLOR</th><th>TERM</th></tr> </thead> <tbody> <tr><td>A</td><td>L92#127</td><td>18</td><td>TN</td><td>2036586C1</td></tr> <tr><td>B</td><td>L92C116</td><td>18</td><td>TN</td><td>2036586C1</td></tr> </tbody> </table>		CAV	CIR	GAUGE	COLOR	TERM	A	L92#127	18	TN	2036586C1	B	L92C116	18	TN	2036586C1	<p>TRANSMISSION BULKHEAD (LCT) (7300)</p>  <p>CONNECTOR - 3522537C91 PLUG - 3518314C1 LOCK - 3518287C1</p> <table border="1" style="width:100%; border-collapse: collapse; font-size: x-small;"> <thead> <tr><th>CAV</th><th>CIR</th><th>GAUGE</th><th>COLOR</th><th>TERM</th></tr> </thead> <tbody> <tr><td>A</td><td>L92#226</td><td>18</td><td>TN</td><td>3517243C1</td></tr> <tr><td>B</td><td>L92#227</td><td>18</td><td>TN</td><td>3517243C1</td></tr> <tr><td>C</td><td>L92#231</td><td>18</td><td>TN</td><td>3517243C1</td></tr> <tr><td>D</td><td>L92#201</td><td>18</td><td>TN</td><td>3517243C1</td></tr> <tr><td>E</td><td>L92#203</td><td>18</td><td>TN</td><td>3517243C1</td></tr> <tr><td>F</td><td>L92#202</td><td>18</td><td>TN</td><td>3517243C1</td></tr> <tr><td>G</td><td>L31#210</td><td>18</td><td>TN</td><td>3517243C1</td></tr> <tr><td>H</td><td>L92A220</td><td>18</td><td>TN</td><td>3517243C1</td></tr> <tr><td>J</td><td>L92#229</td><td>18</td><td>TN</td><td>3517243C1</td></tr> <tr><td>K</td><td>L92#204</td><td>18</td><td>TN</td><td>3517243C1</td></tr> <tr><td>L</td><td>L92#222</td><td>18</td><td>TN</td><td>3517243C1</td></tr> <tr><td>M</td><td>L92#223</td><td>18</td><td>TN</td><td>3517243C1</td></tr> <tr><td>N</td><td>L92#224</td><td>18</td><td>TN</td><td>3517243C1</td></tr> <tr><td>P</td><td>L92#225</td><td>18</td><td>TN</td><td>3517243C1</td></tr> <tr><td>R</td><td>PLUG</td><td>-</td><td>-</td><td>-</td></tr> <tr><td>S</td><td>L92#232</td><td>18</td><td>TN</td><td>3517243C1</td></tr> <tr><td>T</td><td>L92#221</td><td>18</td><td>TN</td><td>3517243C1</td></tr> <tr><td>U</td><td>PLUG</td><td>-</td><td>-</td><td>-</td></tr> <tr><td>V</td><td>PLUG</td><td>-</td><td>-</td><td>-</td></tr> <tr><td>W</td><td>L92#228</td><td>18</td><td>TN</td><td>3517243C1</td></tr> </tbody> </table>		CAV	CIR	GAUGE	COLOR	TERM	A	L92#226	18	TN	3517243C1	B	L92#227	18	TN	3517243C1	C	L92#231	18	TN	3517243C1	D	L92#201	18	TN	3517243C1	E	L92#203	18	TN	3517243C1	F	L92#202	18	TN	3517243C1	G	L31#210	18	TN	3517243C1	H	L92A220	18	TN	3517243C1	J	L92#229	18	TN	3517243C1	K	L92#204	18	TN	3517243C1	L	L92#222	18	TN	3517243C1	M	L92#223	18	TN	3517243C1	N	L92#224	18	TN	3517243C1	P	L92#225	18	TN	3517243C1	R	PLUG	-	-	-	S	L92#232	18	TN	3517243C1	T	L92#221	18	TN	3517243C1	U	PLUG	-	-	-	V	PLUG	-	-	-	W	L92#228	18	TN	3517243C1
CAV	CIR	GAUGE	COLOR	TERM																																																																																																																							
A	L92#127	18	TN	2036586C1																																																																																																																							
B	L92C116	18	TN	2036586C1																																																																																																																							
CAV	CIR	GAUGE	COLOR	TERM																																																																																																																							
A	L92#226	18	TN	3517243C1																																																																																																																							
B	L92#227	18	TN	3517243C1																																																																																																																							
C	L92#231	18	TN	3517243C1																																																																																																																							
D	L92#201	18	TN	3517243C1																																																																																																																							
E	L92#203	18	TN	3517243C1																																																																																																																							
F	L92#202	18	TN	3517243C1																																																																																																																							
G	L31#210	18	TN	3517243C1																																																																																																																							
H	L92A220	18	TN	3517243C1																																																																																																																							
J	L92#229	18	TN	3517243C1																																																																																																																							
K	L92#204	18	TN	3517243C1																																																																																																																							
L	L92#222	18	TN	3517243C1																																																																																																																							
M	L92#223	18	TN	3517243C1																																																																																																																							
N	L92#224	18	TN	3517243C1																																																																																																																							
P	L92#225	18	TN	3517243C1																																																																																																																							
R	PLUG	-	-	-																																																																																																																							
S	L92#232	18	TN	3517243C1																																																																																																																							
T	L92#221	18	TN	3517243C1																																																																																																																							
U	PLUG	-	-	-																																																																																																																							
V	PLUG	-	-	-																																																																																																																							
W	L92#228	18	TN	3517243C1																																																																																																																							
<p>NSBU SWITCH VEHICLE (NEUTRAL SAFETY BACK-UP) (7301)</p>  <p>CONNECTOR - 3534635C1 PLUG - 2025431C1 LOCK - 3534634C1</p> <table border="1" style="width:100%; border-collapse: collapse; font-size: x-small;"> <thead> <tr><th>CAV</th><th>CIR</th><th>GAUGE</th><th>COLOR</th><th>TERM</th><th>SEAL</th></tr> </thead> <tbody> <tr><td>A</td><td>PLUG</td><td>-</td><td>-</td><td>-</td><td>-</td></tr> <tr><td>B</td><td>PLUG</td><td>-</td><td>-</td><td>-</td><td>-</td></tr> <tr><td>C</td><td>L71</td><td>16</td><td>OR</td><td>1661875C1</td><td>1661872C1</td></tr> <tr><td>D</td><td>L92B220</td><td>18</td><td>TN</td><td>1661875C1</td><td>1661872C1</td></tr> <tr><td>E</td><td>L13M3</td><td>18</td><td>PK</td><td>2033819C1</td><td>1652325C1</td></tr> <tr><td>F</td><td>L71A</td><td>16</td><td>OR</td><td>1661875C1</td><td>1661872C1</td></tr> <tr><td>G</td><td>L17E</td><td>18</td><td>PK</td><td>2033819C1</td><td>3517771C1</td></tr> </tbody> </table>		CAV	CIR	GAUGE	COLOR	TERM	SEAL	A	PLUG	-	-	-	-	B	PLUG	-	-	-	-	C	L71	16	OR	1661875C1	1661872C1	D	L92B220	18	TN	1661875C1	1661872C1	E	L13M3	18	PK	2033819C1	1652325C1	F	L71A	16	OR	1661875C1	1661872C1	G	L17E	18	PK	2033819C1	3517771C1																																																																										
CAV	CIR	GAUGE	COLOR	TERM	SEAL																																																																																																																						
A	PLUG	-	-	-	-																																																																																																																						
B	PLUG	-	-	-	-																																																																																																																						
C	L71	16	OR	1661875C1	1661872C1																																																																																																																						
D	L92B220	18	TN	1661875C1	1661872C1																																																																																																																						
E	L13M3	18	PK	2033819C1	1652325C1																																																																																																																						
F	L71A	16	OR	1661875C1	1661872C1																																																																																																																						
G	L17E	18	PK	2033819C1	3517771C1																																																																																																																						
CHK	DATE	CHANGE	REV	REFERENCE	DRAWN	NAME																																																																																																																					
PEC	15JAN01	PRODUCTION RELEASE.	A	P54304U	U00EDL2	42/43/44/85/8600 & 73/74/7500 CIRC DIAGRAMS																																																																																																																					
					RELEASE NO.	DATE	PART NO.	SHEET																																																																																																																			
					P52778H	31MAY00	AE08-52376	38																																																																																																																			

Figure 137 Connector Composites (7207), (7208), (7211), (7212), (7213), (7300), (7301)

12.39. CONNECTOR COMPOSITES (7302), (7304), (7305), (7306), P. 39

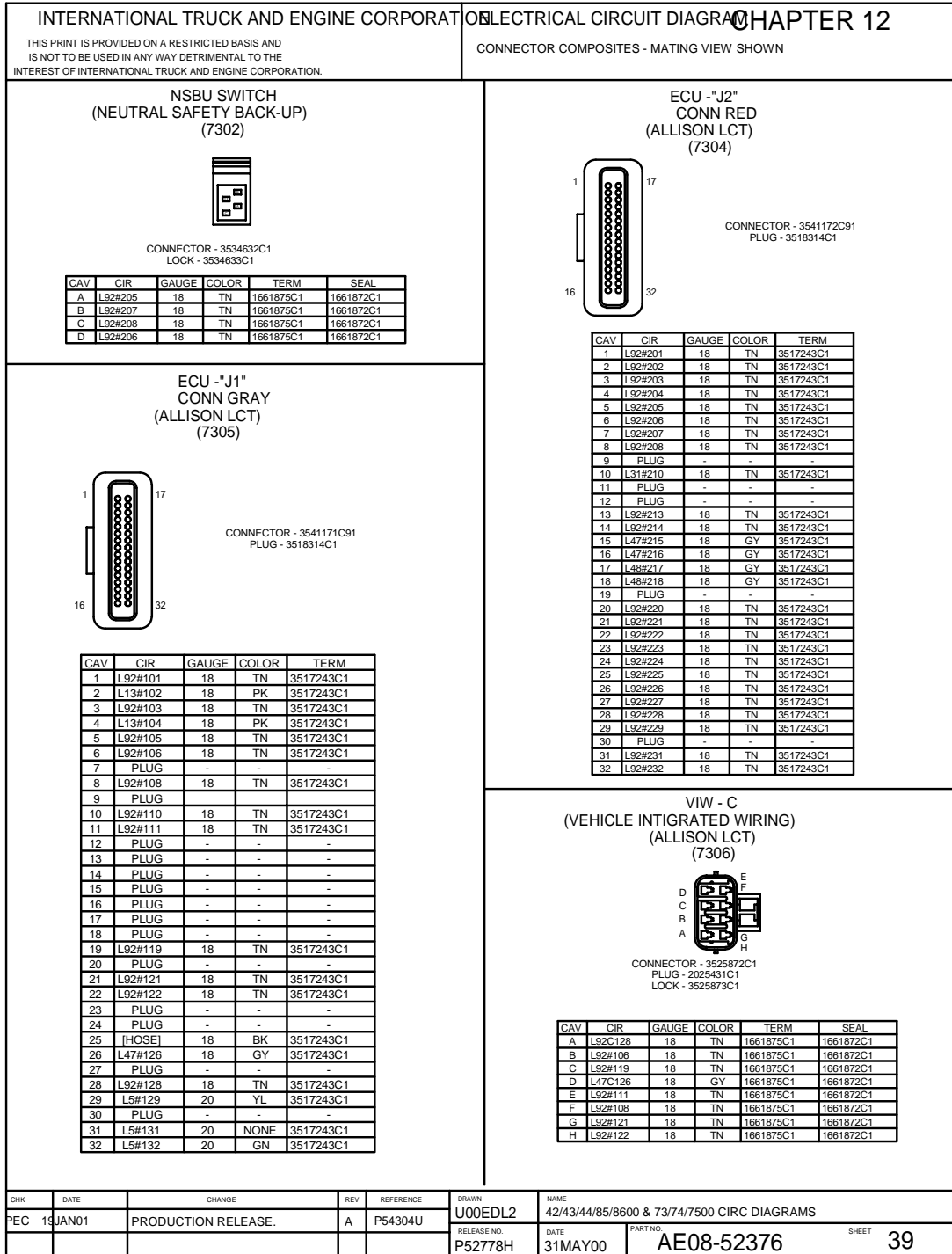


Figure 138 Connector Composites (7302), (7304), (7305), (7306)

12.40. CONNECTOR COMPOSITES (7307), (7309), (7500), (7502), (7600), (7601), (7603), (7604), (7605), (7606), P. 40









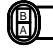

INTERNATIONAL TRUCK AND ENGINE CORPORATION				ELECTRICAL CIRCUIT DIAGRAM CHAPTER 12																																																					
THIS PRINT IS PROVIDED ON A RESTRICTED BASIS AND IS NOT TO BE USED IN ANY WAY DETRIMENTAL TO THE INTEREST OF INTERNATIONAL TRUCK AND ENGINE CORPORATION.				CONNECTOR COMPOSITES - MATING VIEW SHOWN																																																					
<p>J1939 SPLICE (7307)</p>  <p>CONNECTOR - 3537127C1 PLUG - 3537132C1</p> <table border="1"> <thead> <tr> <th>CAV</th> <th>CIR</th> <th>GAUGE</th> <th>COLOR</th> <th>TERM</th> </tr> </thead> <tbody> <tr> <td>1</td> <td>L5A(+1)</td> <td>20</td> <td>YL</td> <td>3537131C1</td> </tr> <tr> <td>2</td> <td>L5A(S)1</td> <td>20</td> <td>NONE</td> <td>3537131C1</td> </tr> <tr> <td>3</td> <td>L5A(-)1</td> <td>20</td> <td>GN</td> <td>3537131C1</td> </tr> <tr> <td>4</td> <td>PLUG</td> <td>-</td> <td>-</td> <td>-</td> </tr> </tbody> </table>				CAV	CIR	GAUGE	COLOR	TERM	1	L5A(+1)	20	YL	3537131C1	2	L5A(S)1	20	NONE	3537131C1	3	L5A(-)1	20	GN	3537131C1	4	PLUG	-	-	-	<p>J1939 SPLICE (7309)</p>  <p>CONNECTOR - 3537127C1 PLUG - 3537132C1</p> <table border="1"> <thead> <tr> <th>CAV</th> <th>CIR</th> <th>GAUGE</th> <th>COLOR</th> <th>TERM</th> </tr> </thead> <tbody> <tr> <td>1</td> <td>L5#129</td> <td>20</td> <td>YL</td> <td>3537131C1</td> </tr> <tr> <td>2</td> <td>L5#131</td> <td>20</td> <td>NONE</td> <td>3537131C1</td> </tr> <tr> <td>3</td> <td>L5#132</td> <td>20</td> <td>GN</td> <td>3537131C1</td> </tr> <tr> <td>4</td> <td>PLUG</td> <td>-</td> <td>-</td> <td>-</td> </tr> </tbody> </table>				CAV	CIR	GAUGE	COLOR	TERM	1	L5#129	20	YL	3537131C1	2	L5#131	20	NONE	3537131C1	3	L5#132	20	GN	3537131C1	4	PLUG	-	-	-
CAV	CIR	GAUGE	COLOR	TERM																																																					
1	L5A(+1)	20	YL	3537131C1																																																					
2	L5A(S)1	20	NONE	3537131C1																																																					
3	L5A(-)1	20	GN	3537131C1																																																					
4	PLUG	-	-	-																																																					
CAV	CIR	GAUGE	COLOR	TERM																																																					
1	L5#129	20	YL	3537131C1																																																					
2	L5#131	20	NONE	3537131C1																																																					
3	L5#132	20	GN	3537131C1																																																					
4	PLUG	-	-	-																																																					
<p>BACK-UP LIGHT SWITCH (7500)</p>  <p>CONNECTOR - 1661778C1 PLUG - 1687788C1 LOCK - 1661874C1</p> <table border="1"> <thead> <tr> <th>CAV</th> <th>CIR</th> <th>GAUGE</th> <th>COLOR</th> <th>TERM</th> <th>SEAL</th> </tr> </thead> <tbody> <tr> <td>A</td> <td>L71B</td> <td>16</td> <td>OR</td> <td>1661875C1</td> <td>1661872C1</td> </tr> <tr> <td>B</td> <td>L71C</td> <td>16</td> <td>OR</td> <td>1661875C1</td> <td>1661872C1</td> </tr> </tbody> </table>				CAV	CIR	GAUGE	COLOR	TERM	SEAL	A	L71B	16	OR	1661875C1	1661872C1	B	L71C	16	OR	1661875C1	1661872C1	<p>BACK-UP LIGHT (7502)</p>  <p>CONNECTOR - 1661778C1 PLUG - 1687788C1 LOCK - 1661874C1</p> <table border="1"> <thead> <tr> <th>CAV</th> <th>CIR</th> <th>GAUGE</th> <th>COLOR</th> <th>TERM</th> <th>SEAL</th> </tr> </thead> <tbody> <tr> <td>A</td> <td>L71</td> <td>16</td> <td>OR</td> <td>1661875C1</td> <td>1661872C1</td> </tr> <tr> <td>B</td> <td>L71A</td> <td>16</td> <td>OR</td> <td>1661875C1</td> <td>1661872C1</td> </tr> </tbody> </table>				CAV	CIR	GAUGE	COLOR	TERM	SEAL	A	L71	16	OR	1661875C1	1661872C1	B	L71A	16	OR	1661875C1	1661872C1														
CAV	CIR	GAUGE	COLOR	TERM	SEAL																																																				
A	L71B	16	OR	1661875C1	1661872C1																																																				
B	L71C	16	OR	1661875C1	1661872C1																																																				
CAV	CIR	GAUGE	COLOR	TERM	SEAL																																																				
A	L71	16	OR	1661875C1	1661872C1																																																				
B	L71A	16	OR	1661875C1	1661872C1																																																				
<p>OUTPUT SPEED SENSOR (7600)</p>  <p>CONNECTOR - 2036583C1</p> <table border="1"> <thead> <tr> <th>CAV</th> <th>CIR</th> <th>GAUGE</th> <th>COLOR</th> <th>TERM</th> </tr> </thead> <tbody> <tr> <td>A</td> <td>L47#215</td> <td>18</td> <td>GY</td> <td>2036586C1</td> </tr> <tr> <td>B</td> <td>L47#216</td> <td>18</td> <td>GY</td> <td>2036586C1</td> </tr> </tbody> </table>				CAV	CIR	GAUGE	COLOR	TERM	A	L47#215	18	GY	2036586C1	B	L47#216	18	GY	2036586C1	<p>SPEEDO SENSOR (7601)</p>  <p>CONNECTOR - 2036583C1</p> <table border="1"> <thead> <tr> <th>CAV</th> <th>CIR</th> <th>GAUGE</th> <th>COLOR</th> <th>TERM</th> </tr> </thead> <tbody> <tr> <td>A</td> <td>L47D</td> <td>18</td> <td>GY</td> <td>2036586C1</td> </tr> <tr> <td>B</td> <td>L47E</td> <td>18</td> <td>GY</td> <td>2036586C1</td> </tr> </tbody> </table>				CAV	CIR	GAUGE	COLOR	TERM	A	L47D	18	GY	2036586C1	B	L47E	18	GY	2036586C1																				
CAV	CIR	GAUGE	COLOR	TERM																																																					
A	L47#215	18	GY	2036586C1																																																					
B	L47#216	18	GY	2036586C1																																																					
CAV	CIR	GAUGE	COLOR	TERM																																																					
A	L47D	18	GY	2036586C1																																																					
B	L47E	18	GY	2036586C1																																																					
<p>ENGINE SPEED SENSOR (7603)</p>  <p>CONNECTOR - 2036583C1</p> <table border="1"> <thead> <tr> <th>CAV</th> <th>CIR</th> <th>GAUGE</th> <th>COLOR</th> <th>TERM</th> </tr> </thead> <tbody> <tr> <td>A</td> <td>L48#141</td> <td>18</td> <td>GY</td> <td>2036586C1</td> </tr> <tr> <td>B</td> <td>L48#150</td> <td>18</td> <td>GY</td> <td>2036586C1</td> </tr> </tbody> </table>				CAV	CIR	GAUGE	COLOR	TERM	A	L48#141	18	GY	2036586C1	B	L48#150	18	GY	2036586C1	<p>ENGINE SPEED SENSOR (7604)</p>  <p>CONNECTOR - 2036583C1</p> <table border="1"> <thead> <tr> <th>CAV</th> <th>CIR</th> <th>GAUGE</th> <th>COLOR</th> <th>TERM</th> </tr> </thead> <tbody> <tr> <td>A</td> <td>L48#217</td> <td>18</td> <td>GY</td> <td>2036586C1</td> </tr> <tr> <td>B</td> <td>L48#218</td> <td>18</td> <td>GY</td> <td>2036586C1</td> </tr> </tbody> </table>				CAV	CIR	GAUGE	COLOR	TERM	A	L48#217	18	GY	2036586C1	B	L48#218	18	GY	2036586C1																				
CAV	CIR	GAUGE	COLOR	TERM																																																					
A	L48#141	18	GY	2036586C1																																																					
B	L48#150	18	GY	2036586C1																																																					
CAV	CIR	GAUGE	COLOR	TERM																																																					
A	L48#217	18	GY	2036586C1																																																					
B	L48#218	18	GY	2036586C1																																																					
<p>OUTPUT SPEED SENSOR (7605)</p>  <p>CONNECTOR - 2036583C1</p> <table border="1"> <thead> <tr> <th>CAV</th> <th>CIR</th> <th>GAUGE</th> <th>COLOR</th> <th>TERM</th> </tr> </thead> <tbody> <tr> <td>A</td> <td>L47#139</td> <td>18</td> <td>GY</td> <td>2036586C1</td> </tr> <tr> <td>B</td> <td>L47#148</td> <td>18</td> <td>GY</td> <td>2036586C1</td> </tr> </tbody> </table>				CAV	CIR	GAUGE	COLOR	TERM	A	L47#139	18	GY	2036586C1	B	L47#148	18	GY	2036586C1	<p>TRANSMISSION SPEEDO CONNECTION (7606)</p>  <p>CONNECTOR - 2036583C1</p> <table border="1"> <thead> <tr> <th>CAV</th> <th>CIR</th> <th>GAUGE</th> <th>COLOR</th> <th>TERM</th> </tr> </thead> <tbody> <tr> <td>A</td> <td>L47P</td> <td>16</td> <td>GY</td> <td>2036586C1</td> </tr> <tr> <td>B</td> <td>L47N</td> <td>16</td> <td>GY</td> <td>2036586C1</td> </tr> </tbody> </table>				CAV	CIR	GAUGE	COLOR	TERM	A	L47P	16	GY	2036586C1	B	L47N	16	GY	2036586C1																				
CAV	CIR	GAUGE	COLOR	TERM																																																					
A	L47#139	18	GY	2036586C1																																																					
B	L47#148	18	GY	2036586C1																																																					
CAV	CIR	GAUGE	COLOR	TERM																																																					
A	L47P	16	GY	2036586C1																																																					
B	L47N	16	GY	2036586C1																																																					
CHK	DATE	CHANGE	REV	REFERENCE	DRWIN	NAME																																																			
PEC	15JAN01	PRODUCTION RELEASE.	A	P54304U	U00EDL2	42/43/44/85/8600 & 73/74/7500 CIRC DIAGRAMS	DATE	PART NO.																																																	
					P52778H	31MAY00	AE08-52376	SHEET 40																																																	

Figure 139 Connector Composites (7307), (7309), (7500), (7502), (7600), (7601), (7603), (7604), (7605), (7606)

12.41. CONNECTOR COMPOSITES (7607), (7608), (7609), (7610), (7611), (7700), P. 41

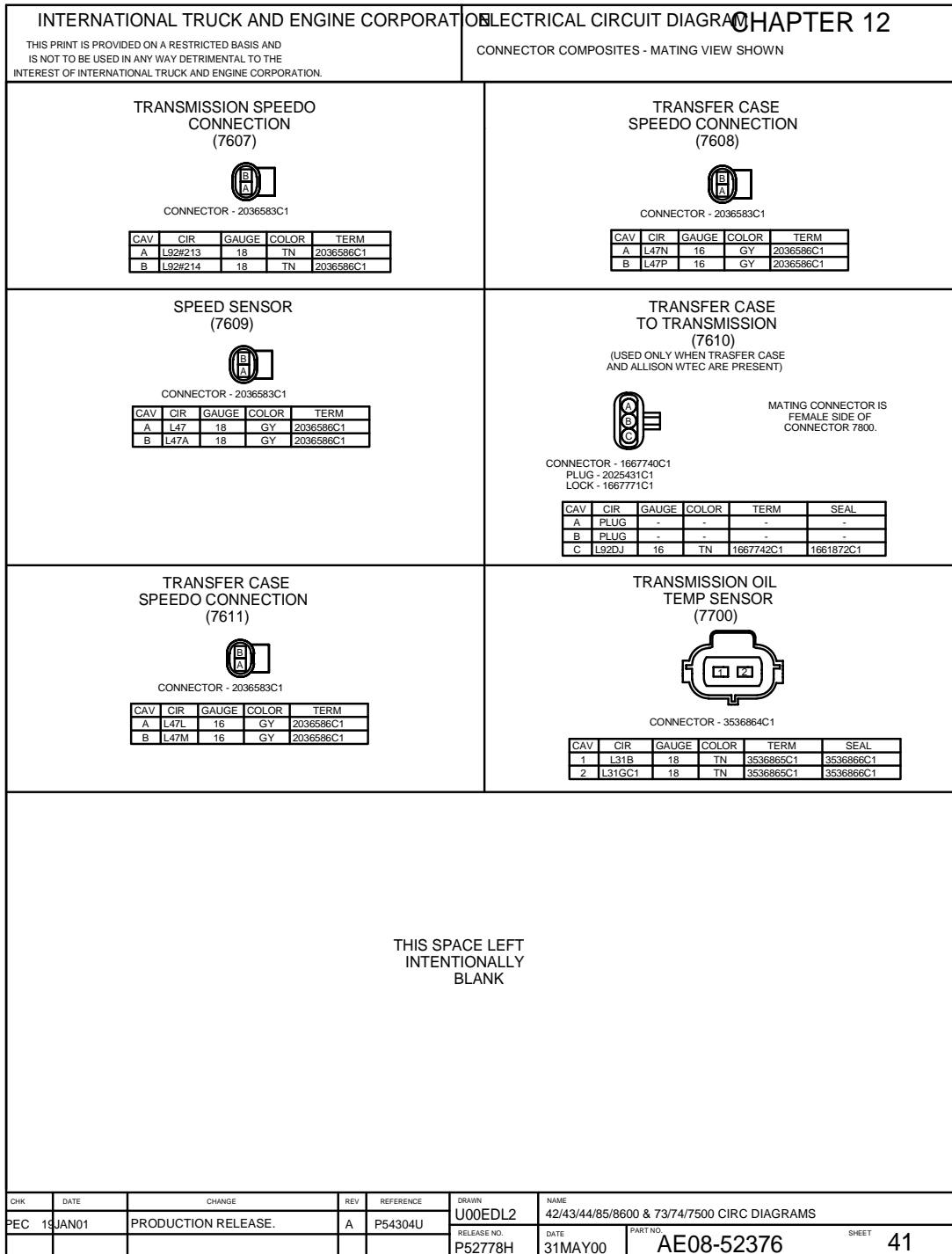


Figure 140 Connector Composites (7607), (7608), (7609), (7610), (7611), (7700)

12.42. CONNECTOR COMPOSITES (7800), (7801), (7803), P. 42

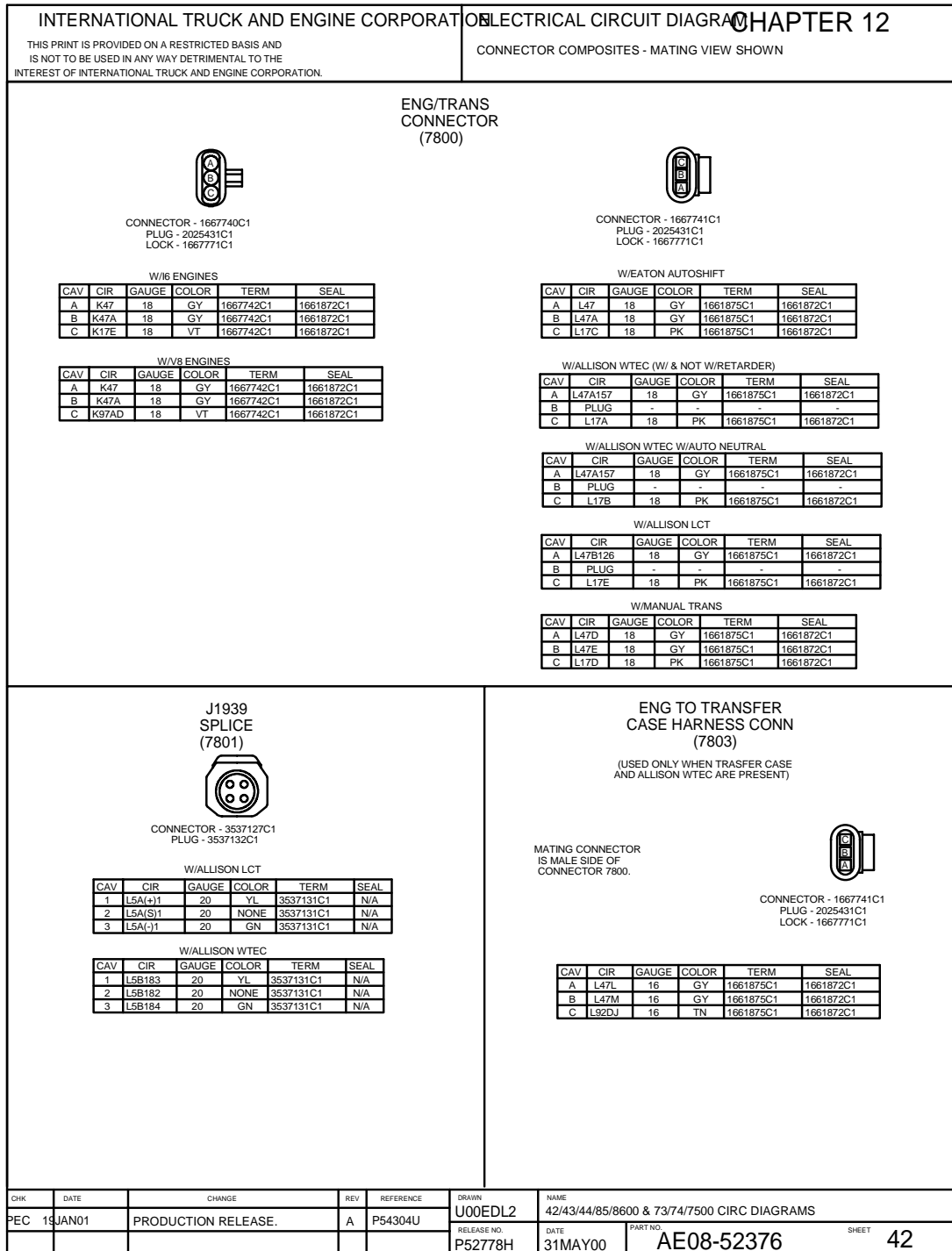


Figure 141 Connector Composites Connector Composites (7800), (7801), (7803)

12.43. CONNECTOR COMPOSITES (7900), (7901), (7905), (7906), P. 43

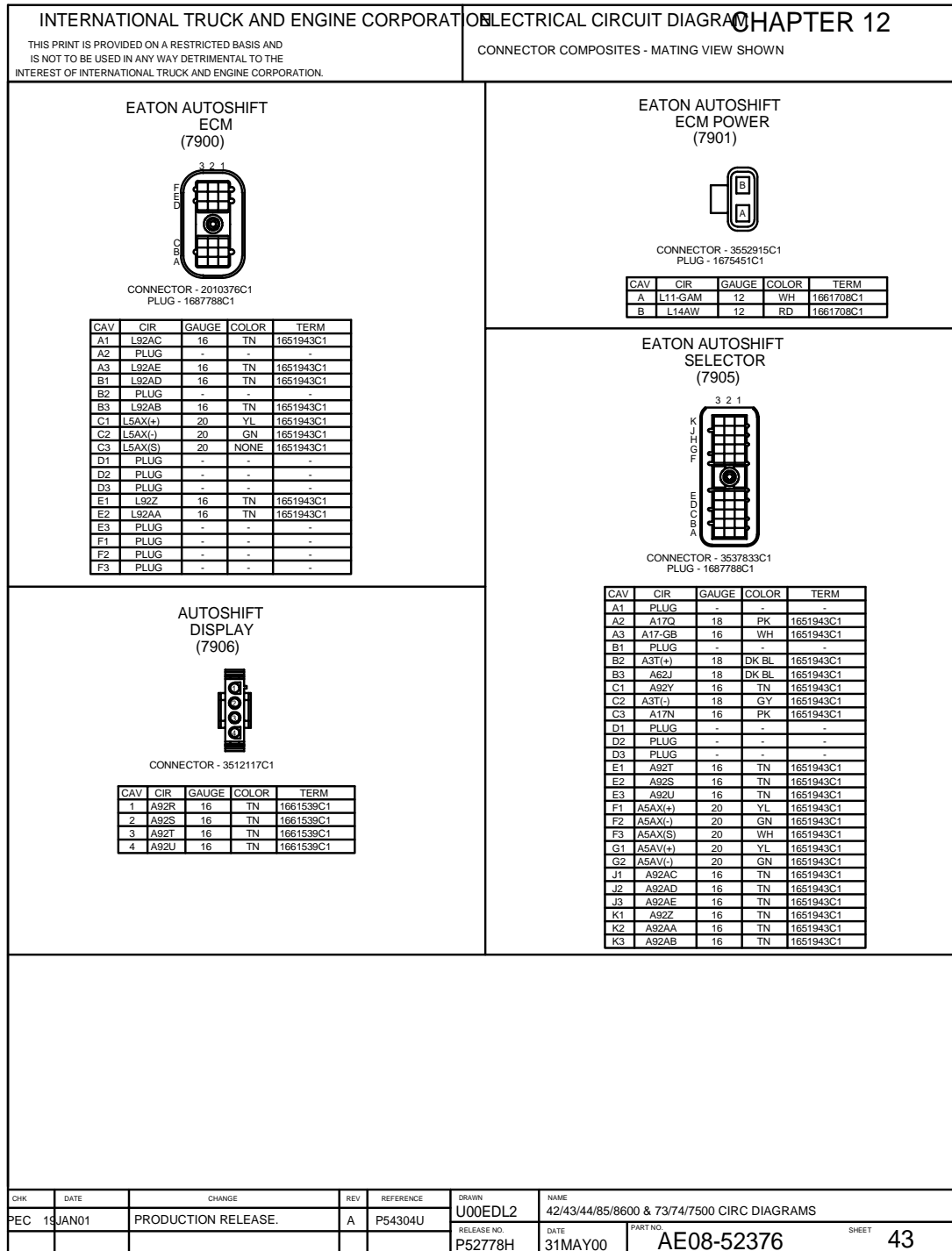


Figure 142 Connector Composites (7900), (7901), (7905), (7906)

12.44. CONNECTOR COMPOSITES (8000), (8001), (8102), (8150), (8151), (8200), P. 44

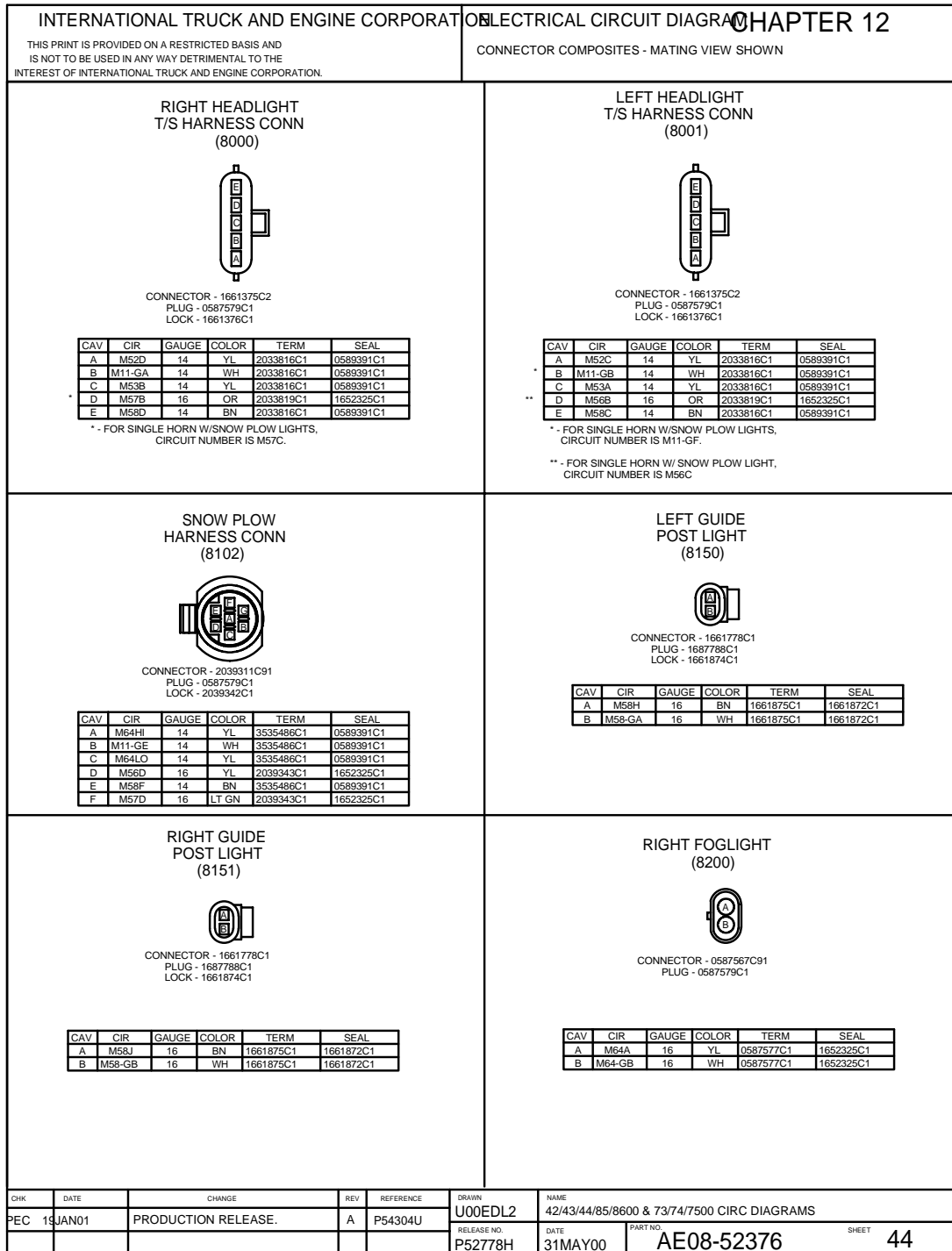


Figure 143 Connector Composites (8000), (8001), (8102), (8150), (8151), (8200)

12.45. CONNECTOR COMPOSITES (8201), (8301), (8310), (8311), (8312), (8400), (8500), (8501), P. 45

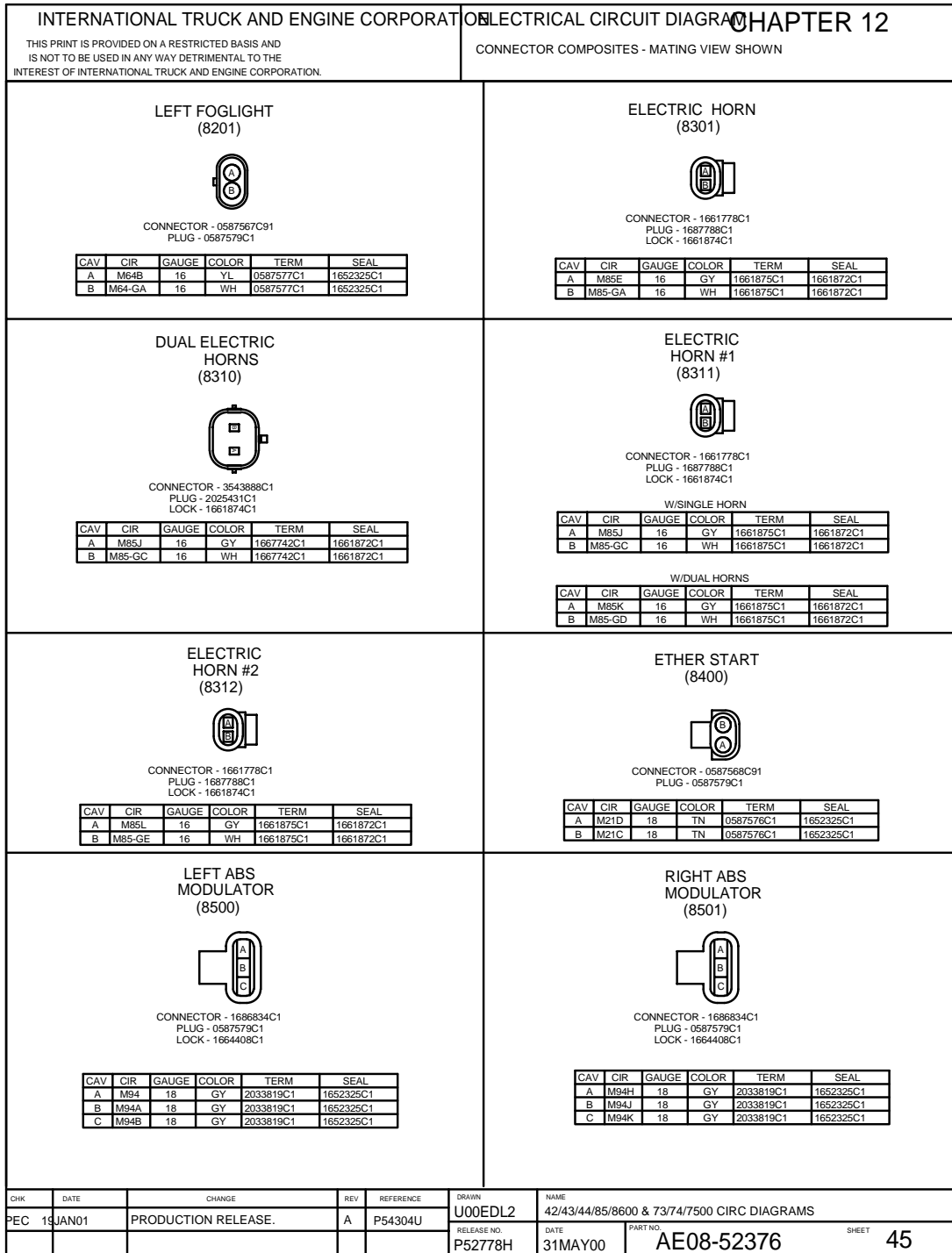


Figure 144 Connector Composites (8201), (8301), (8310), (8311), (8312), (8400), (8500), (8501)

12.46. CONNECTOR COMPOSITES (8502), (8502A), (8503), (8503A), (8505), (8600), (8601), (8602), P. 46

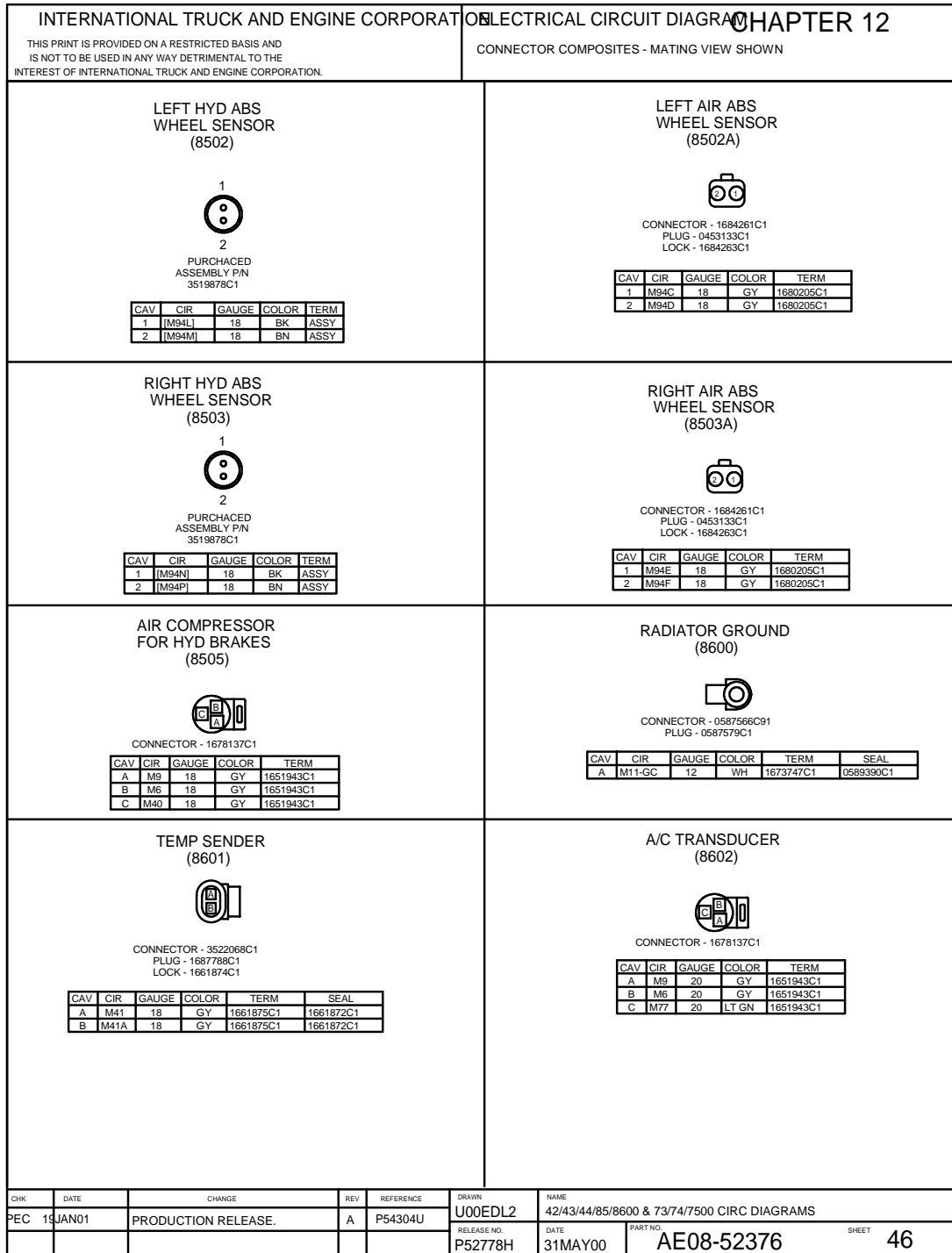


Figure 145 Connector Composites (8502), (8502A), (8503), (8503A), (8505), (8600), (8601), (8602)

12.47. CONNECTOR COMPOSITES (8700), (8701), (8800), (8801), (8802), (8803), P. 47

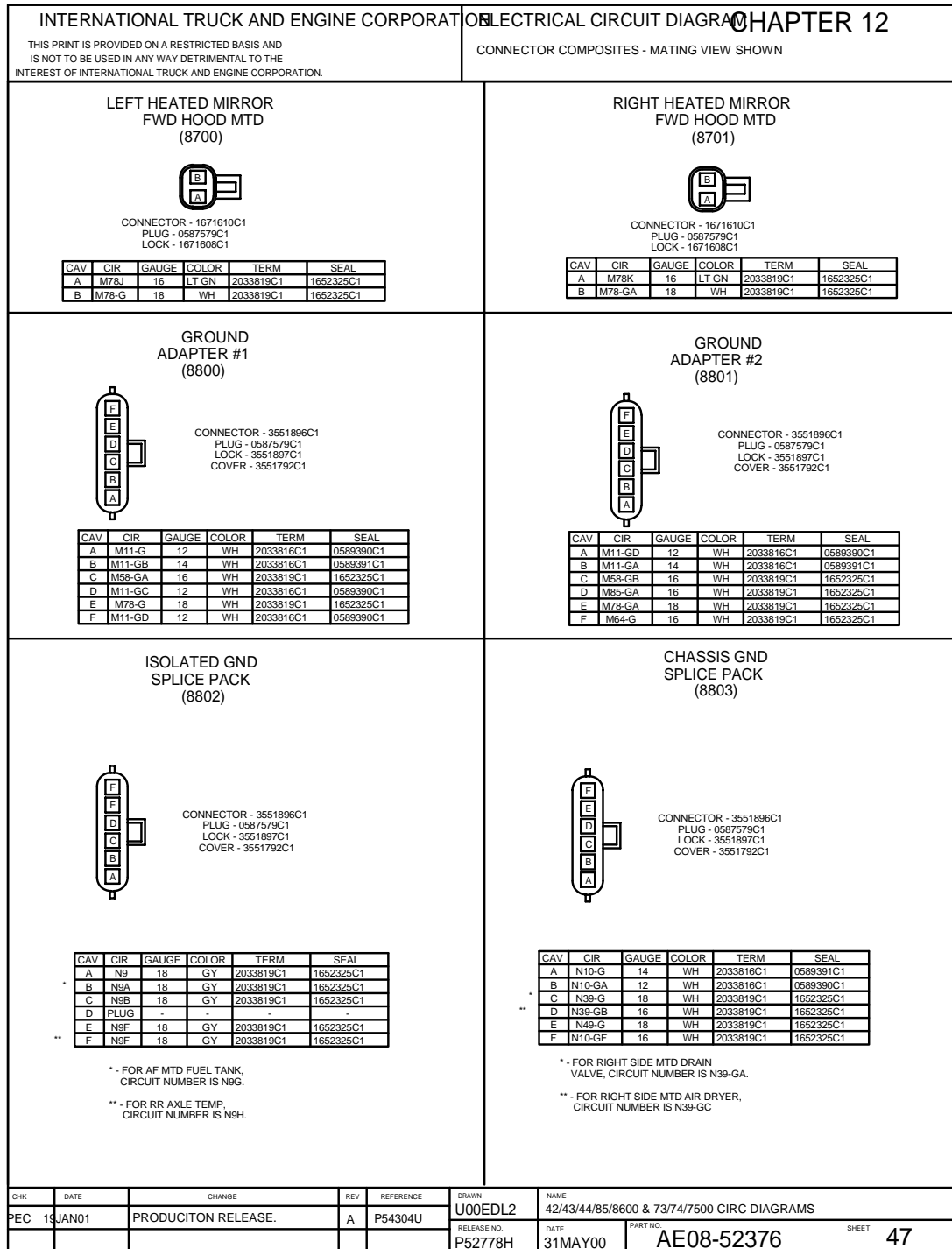


Figure 146 Connector Composites (8700), (8701), (8800), (8801), (8802), (8803)

12.48. CONNECTOR COMPOSITES (9001), (9002), (9100), (9101), (9102), (9254), (9255), P. 48

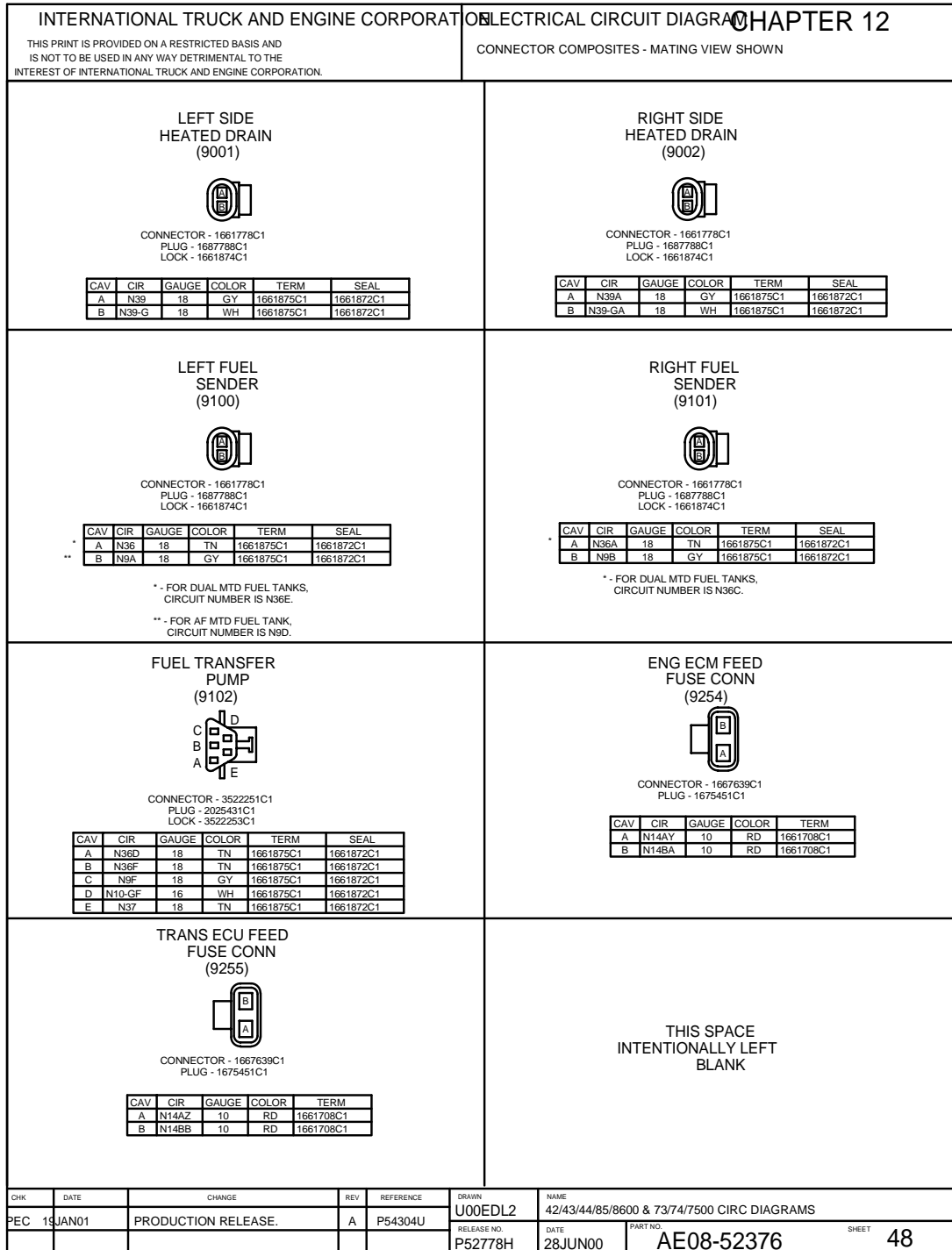


Figure 147 Connector Composites (9001), (9002), (9100), (9101), (9102), (9254), (9255)

12.49. CONNECTOR COMPOSITES (9260), (9261), (9262), (9263), (9264), (9265), (9303A), P. 49

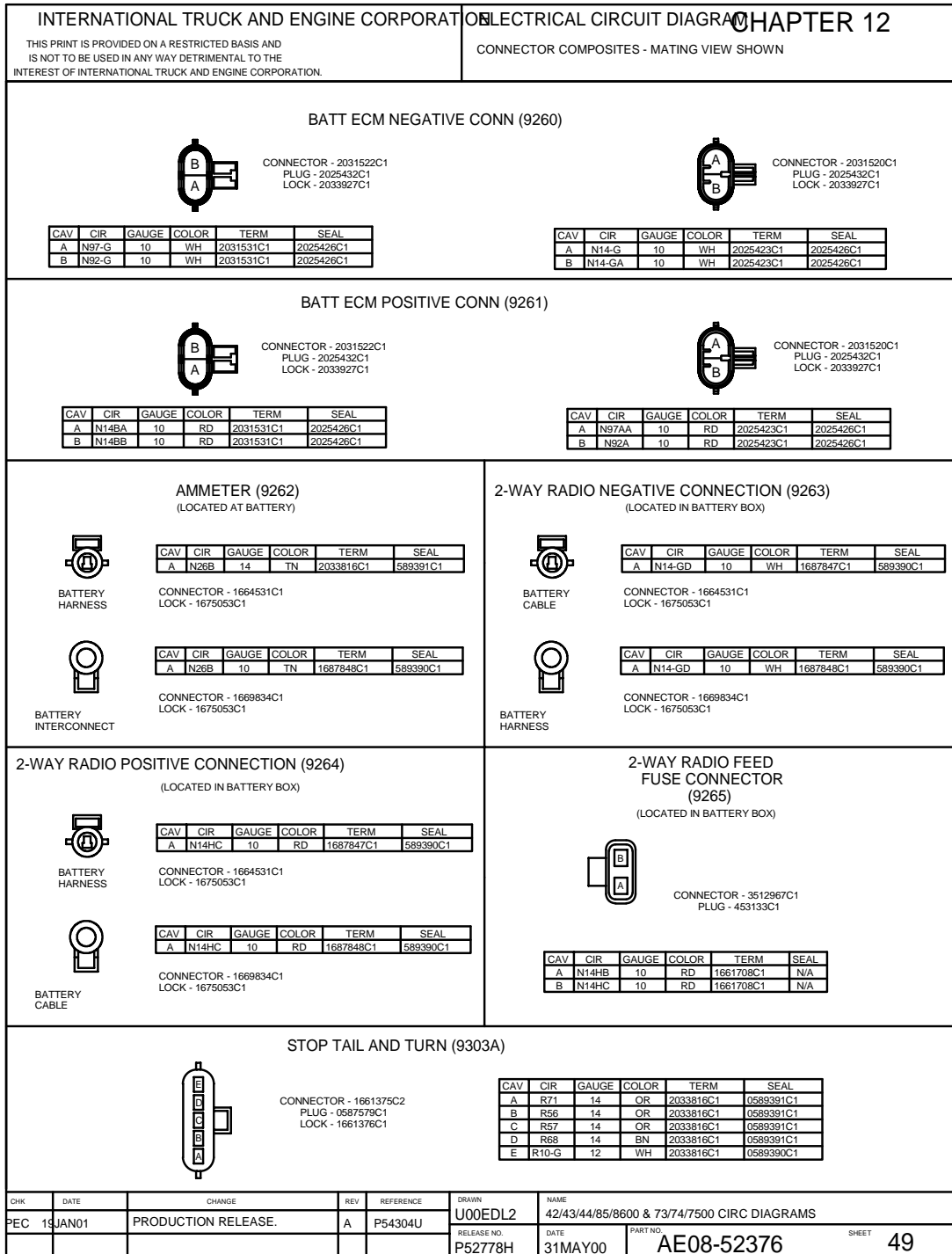


Figure 148 Connector Composites (9260), (9261), (9262), (9263), (9264), (9265), (9303A)

12.50. CONNECTOR COMPOSITES (9404), (9405), (9501), (9502), (9503), (9504), (9505), (9506), P. 50

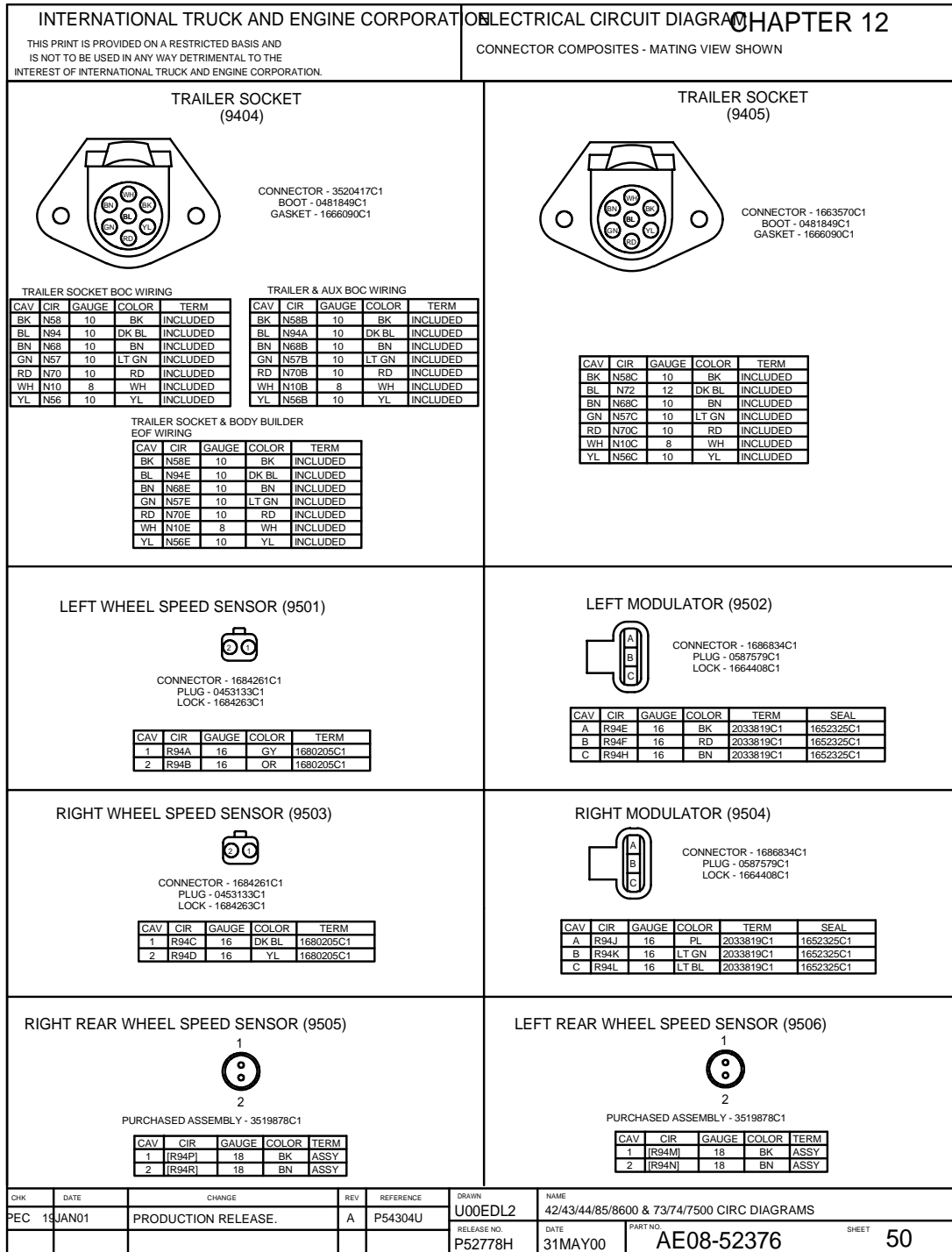


Figure 149 Connector Composites (9404), (9405), (9501), (9502), (9503), (9504), (9505), (9506)

12.51. CONNECTOR COMPOSITES (9507), (9508), (9509), (9510), (9511), (9512), P. 51

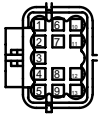

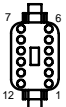

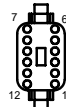
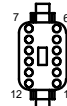
INTERNATIONAL TRUCK AND ENGINE CORPORATION				ELECTRICAL CIRCUIT DIAGRAM CHAPTER 12																																																																																																																																					
THIS PRINT IS PROVIDED ON A RESTRICTED BASIS AND IS NOT TO BE USED IN ANY WAY DETRIMENTAL TO THE INTEREST OF INTERNATIONAL TRUCK AND ENGINE CORPORATION.				CONNECTOR COMPOSITES - MATING VIEW SHOWN																																																																																																																																					
MODULATOR (9507)  CONNECTOR - 3536987C1 PLUG - 3536991C1 LOCK - 3536988C1				MODULATOR GROUND (9508)  CONNECTOR - 3537133C1																																																																																																																																					
<table border="1" style="width:100%; border-collapse: collapse; font-size: x-small;"> <thead> <tr> <th>CAV</th> <th>CIR</th> <th>GAUGE</th> <th>COLOR</th> <th>TERM</th> <th>SEAL</th> </tr> </thead> <tbody> <tr><td>1</td><td>N94AP</td><td>16</td><td>BL</td><td>3536989C1</td><td>3536990C1</td></tr> <tr><td>2</td><td>N94AF</td><td>16</td><td>GY</td><td>3536989C1</td><td>3536990C1</td></tr> <tr><td>3</td><td>PLUG</td><td>-</td><td>-</td><td>-</td><td>-</td></tr> <tr><td>4</td><td>N94AE</td><td>16</td><td>LT BL</td><td>3536989C1</td><td>3536990C1</td></tr> <tr><td>5</td><td>N94AR</td><td>16</td><td>VT</td><td>3536989C1</td><td>3536990C1</td></tr> <tr><td>6</td><td>PLUG</td><td>-</td><td>-</td><td>-</td><td>-</td></tr> <tr><td>7</td><td>PLUG</td><td>-</td><td>-</td><td>-</td><td>-</td></tr> <tr><td>8</td><td>N94Z</td><td>16</td><td>BK</td><td>3536989C1</td><td>3536990C1</td></tr> <tr><td>9</td><td>PLUG</td><td>-</td><td>-</td><td>-</td><td>-</td></tr> <tr><td>10</td><td>N94AJ</td><td>16</td><td>YL</td><td>3536989C1</td><td>3536990C1</td></tr> <tr><td>11</td><td>N94AH</td><td>16</td><td>GY</td><td>3536989C1</td><td>3536990C1</td></tr> <tr><td>12</td><td>N94AC</td><td>16</td><td>BN</td><td>3536989C1</td><td>3536990C1</td></tr> <tr><td>13</td><td>N94AS</td><td>16</td><td>TN</td><td>3536989C1</td><td>3536990C1</td></tr> </tbody> </table>				CAV	CIR	GAUGE	COLOR	TERM	SEAL	1	N94AP	16	BL	3536989C1	3536990C1	2	N94AF	16	GY	3536989C1	3536990C1	3	PLUG	-	-	-	-	4	N94AE	16	LT BL	3536989C1	3536990C1	5	N94AR	16	VT	3536989C1	3536990C1	6	PLUG	-	-	-	-	7	PLUG	-	-	-	-	8	N94Z	16	BK	3536989C1	3536990C1	9	PLUG	-	-	-	-	10	N94AJ	16	YL	3536989C1	3536990C1	11	N94AH	16	GY	3536989C1	3536990C1	12	N94AC	16	BN	3536989C1	3536990C1	13	N94AS	16	TN	3536989C1	3536990C1	<table border="1" style="width:100%; border-collapse: collapse; font-size: x-small;"> <thead> <tr> <th>CAV</th> <th>CIR</th> <th>GAUGE</th> <th>COLOR</th> <th>TERM</th> <th>SEAL</th> </tr> </thead> <tbody> <tr> <td>A</td> <td>N94-GB</td> <td>10</td> <td>GY</td> <td>3537134C1</td> <td>3561662C1</td> </tr> </tbody> </table>				CAV	CIR	GAUGE	COLOR	TERM	SEAL	A	N94-GB	10	GY	3537134C1	3561662C1																																		
CAV	CIR	GAUGE	COLOR	TERM	SEAL																																																																																																																																				
1	N94AP	16	BL	3536989C1	3536990C1																																																																																																																																				
2	N94AF	16	GY	3536989C1	3536990C1																																																																																																																																				
3	PLUG	-	-	-	-																																																																																																																																				
4	N94AE	16	LT BL	3536989C1	3536990C1																																																																																																																																				
5	N94AR	16	VT	3536989C1	3536990C1																																																																																																																																				
6	PLUG	-	-	-	-																																																																																																																																				
7	PLUG	-	-	-	-																																																																																																																																				
8	N94Z	16	BK	3536989C1	3536990C1																																																																																																																																				
9	PLUG	-	-	-	-																																																																																																																																				
10	N94AJ	16	YL	3536989C1	3536990C1																																																																																																																																				
11	N94AH	16	GY	3536989C1	3536990C1																																																																																																																																				
12	N94AC	16	BN	3536989C1	3536990C1																																																																																																																																				
13	N94AS	16	TN	3536989C1	3536990C1																																																																																																																																				
CAV	CIR	GAUGE	COLOR	TERM	SEAL																																																																																																																																				
A	N94-GB	10	GY	3537134C1	3561662C1																																																																																																																																				
WABCO HYD ABS ECU (9510)  CONNECTOR - 1689500C1 PLUG - 0453133C1 LOCK - 1689428C1				PUMP ASSY (9509)  CONNECTOR - 3537136C1																																																																																																																																					
<table border="1" style="width:100%; border-collapse: collapse; font-size: x-small;"> <thead> <tr> <th>CAV</th> <th>CIR</th> <th>GAUGE</th> <th>COLOR</th> <th>TERM</th> </tr> </thead> <tbody> <tr><td>1</td><td>N3A(-)</td><td>18</td><td>GY</td><td>1680205C1</td></tr> <tr><td>2</td><td>N94T</td><td>18</td><td>GY</td><td>1680205C1</td></tr> <tr><td>3</td><td>N94S</td><td>14</td><td>GY</td><td>2034787C1</td></tr> <tr><td>4</td><td>N94AV</td><td>18</td><td>GY</td><td>1680205C1</td></tr> <tr><td>5</td><td>PLUG</td><td>-</td><td>-</td><td>-</td></tr> <tr><td>6</td><td>N94Y</td><td>18</td><td>GY</td><td>1680205C1</td></tr> <tr><td>7</td><td>N94AD</td><td>18</td><td>GY</td><td>1680205C1</td></tr> <tr><td>8</td><td>N94V</td><td>18</td><td>GY</td><td>1680205C1</td></tr> <tr><td>9</td><td>N94-G</td><td>14</td><td>GY</td><td>2034787C1</td></tr> <tr><td>10</td><td>N94W</td><td>18</td><td>GY</td><td>1680205C1</td></tr> <tr><td>11</td><td>N94U</td><td>14</td><td>GY</td><td>2034787C1</td></tr> <tr><td>12</td><td>N3A(+)</td><td>18</td><td>DK BL</td><td>1680205C1</td></tr> </tbody> </table>				CAV	CIR	GAUGE	COLOR	TERM	1	N3A(-)	18	GY	1680205C1	2	N94T	18	GY	1680205C1	3	N94S	14	GY	2034787C1	4	N94AV	18	GY	1680205C1	5	PLUG	-	-	-	6	N94Y	18	GY	1680205C1	7	N94AD	18	GY	1680205C1	8	N94V	18	GY	1680205C1	9	N94-G	14	GY	2034787C1	10	N94W	18	GY	1680205C1	11	N94U	14	GY	2034787C1	12	N3A(+)	18	DK BL	1680205C1	<table border="1" style="width:100%; border-collapse: collapse; font-size: x-small;"> <thead> <tr> <th>CAV</th> <th>CIR</th> <th>GAUGE</th> <th>COLOR</th> <th>TERM</th> </tr> </thead> <tbody> <tr><td>1</td><td>PLUG</td><td>-</td><td>-</td><td>-</td></tr> <tr><td>2</td><td>N94Z</td><td>18</td><td>BK</td><td>1680205C1</td></tr> <tr><td>3</td><td>N94AC</td><td>16</td><td>BN</td><td>1680205C1</td></tr> <tr><td>4</td><td>N94AE</td><td>16</td><td>LT BL</td><td>1680205C1</td></tr> <tr><td>5</td><td>N94AF</td><td>16</td><td>GY</td><td>1680205C1</td></tr> <tr><td>6</td><td>N94AH</td><td>16</td><td>GY</td><td>1680205C1</td></tr> <tr><td>7</td><td>N94AJ</td><td>16</td><td>YL</td><td>1680205C1</td></tr> <tr><td>8</td><td>N94AP</td><td>16</td><td>BL</td><td>1680205C1</td></tr> <tr><td>9</td><td>N94AR</td><td>16</td><td>VT</td><td>1680205C1</td></tr> <tr><td>10</td><td>N94AS</td><td>16</td><td>TN</td><td>1680205C1</td></tr> <tr><td>11</td><td>PLUG</td><td>-</td><td>-</td><td>-</td></tr> <tr><td>12</td><td>PLUG</td><td>-</td><td>-</td><td>-</td></tr> </tbody> </table>				CAV	CIR	GAUGE	COLOR	TERM	1	PLUG	-	-	-	2	N94Z	18	BK	1680205C1	3	N94AC	16	BN	1680205C1	4	N94AE	16	LT BL	1680205C1	5	N94AF	16	GY	1680205C1	6	N94AH	16	GY	1680205C1	7	N94AJ	16	YL	1680205C1	8	N94AP	16	BL	1680205C1	9	N94AR	16	VT	1680205C1	10	N94AS	16	TN	1680205C1	11	PLUG	-	-	-	12	PLUG	-	-	-
CAV	CIR	GAUGE	COLOR	TERM																																																																																																																																					
1	N3A(-)	18	GY	1680205C1																																																																																																																																					
2	N94T	18	GY	1680205C1																																																																																																																																					
3	N94S	14	GY	2034787C1																																																																																																																																					
4	N94AV	18	GY	1680205C1																																																																																																																																					
5	PLUG	-	-	-																																																																																																																																					
6	N94Y	18	GY	1680205C1																																																																																																																																					
7	N94AD	18	GY	1680205C1																																																																																																																																					
8	N94V	18	GY	1680205C1																																																																																																																																					
9	N94-G	14	GY	2034787C1																																																																																																																																					
10	N94W	18	GY	1680205C1																																																																																																																																					
11	N94U	14	GY	2034787C1																																																																																																																																					
12	N3A(+)	18	DK BL	1680205C1																																																																																																																																					
CAV	CIR	GAUGE	COLOR	TERM																																																																																																																																					
1	PLUG	-	-	-																																																																																																																																					
2	N94Z	18	BK	1680205C1																																																																																																																																					
3	N94AC	16	BN	1680205C1																																																																																																																																					
4	N94AE	16	LT BL	1680205C1																																																																																																																																					
5	N94AF	16	GY	1680205C1																																																																																																																																					
6	N94AH	16	GY	1680205C1																																																																																																																																					
7	N94AJ	16	YL	1680205C1																																																																																																																																					
8	N94AP	16	BL	1680205C1																																																																																																																																					
9	N94AR	16	VT	1680205C1																																																																																																																																					
10	N94AS	16	TN	1680205C1																																																																																																																																					
11	PLUG	-	-	-																																																																																																																																					
12	PLUG	-	-	-																																																																																																																																					
WABCO HYD ABS ECU (9511)  CONNECTOR - 1689427C1 PLUG - 0453133C1 LOCK - 1689428C1				WABCO HYD ABS ECU (9512)  CONNECTOR - 3519423C1 PLUG - 0453133C1 LOCK - 1689428C1																																																																																																																																					
<table border="1" style="width:100%; border-collapse: collapse; font-size: x-small;"> <thead> <tr> <th>CAV</th> <th>CIR</th> <th>GAUGE</th> <th>COLOR</th> <th>TERM</th> </tr> </thead> <tbody> <tr><td>1</td><td>PLUG</td><td>-</td><td>-</td><td>-</td></tr> <tr><td>2</td><td>PLUG</td><td>-</td><td>-</td><td>-</td></tr> <tr><td>3</td><td>N94AA</td><td>16</td><td>GY</td><td>1680205C1</td></tr> <tr><td>4</td><td>N94AT</td><td>16</td><td>DK BL</td><td>1680205C1</td></tr> <tr><td>5</td><td>N94AM</td><td>16</td><td>GY</td><td>1680205C1</td></tr> <tr><td>6</td><td>N94AK</td><td>16</td><td>DK BL</td><td>1680205C1</td></tr> <tr><td>7</td><td>N94AL</td><td>16</td><td>YL</td><td>1680205C1</td></tr> <tr><td>8</td><td>N94AN</td><td>16</td><td>OR</td><td>1680205C1</td></tr> <tr><td>9</td><td>N94AU</td><td>16</td><td>YL</td><td>1680205C1</td></tr> <tr><td>10</td><td>N94AB</td><td>16</td><td>OR</td><td>1680205C1</td></tr> <tr><td>11</td><td>PLUG</td><td>-</td><td>-</td><td>-</td></tr> <tr><td>12</td><td>PLUG</td><td>-</td><td>-</td><td>-</td></tr> </tbody> </table>				CAV	CIR	GAUGE	COLOR	TERM	1	PLUG	-	-	-	2	PLUG	-	-	-	3	N94AA	16	GY	1680205C1	4	N94AT	16	DK BL	1680205C1	5	N94AM	16	GY	1680205C1	6	N94AK	16	DK BL	1680205C1	7	N94AL	16	YL	1680205C1	8	N94AN	16	OR	1680205C1	9	N94AU	16	YL	1680205C1	10	N94AB	16	OR	1680205C1	11	PLUG	-	-	-	12	PLUG	-	-	-																																																																					
CAV	CIR	GAUGE	COLOR	TERM																																																																																																																																					
1	PLUG	-	-	-																																																																																																																																					
2	PLUG	-	-	-																																																																																																																																					
3	N94AA	16	GY	1680205C1																																																																																																																																					
4	N94AT	16	DK BL	1680205C1																																																																																																																																					
5	N94AM	16	GY	1680205C1																																																																																																																																					
6	N94AK	16	DK BL	1680205C1																																																																																																																																					
7	N94AL	16	YL	1680205C1																																																																																																																																					
8	N94AN	16	OR	1680205C1																																																																																																																																					
9	N94AU	16	YL	1680205C1																																																																																																																																					
10	N94AB	16	OR	1680205C1																																																																																																																																					
11	PLUG	-	-	-																																																																																																																																					
12	PLUG	-	-	-																																																																																																																																					
CHK	DATE	CHANGE	REV	REFERENCE	DRAWN	NAME																																																																																																																																			
PEC	15JAN01	PRODUCTION RELEASE.	A	P54304U	U00EDL2	42/43/44/85/8600 & 73/74/7500 CIRC DIAGRAMS																																																																																																																																			
					RELEASE NO.	DATE	PART NO.	SHEET																																																																																																																																	
					P52778H	31MAY00	AE08-52376	51																																																																																																																																	

Figure 150 Connector Composites (9507), (9508), (9509), (9510), (9511), (9512)

12.52. CONNECTOR COMPOSITE (9700), P. 52

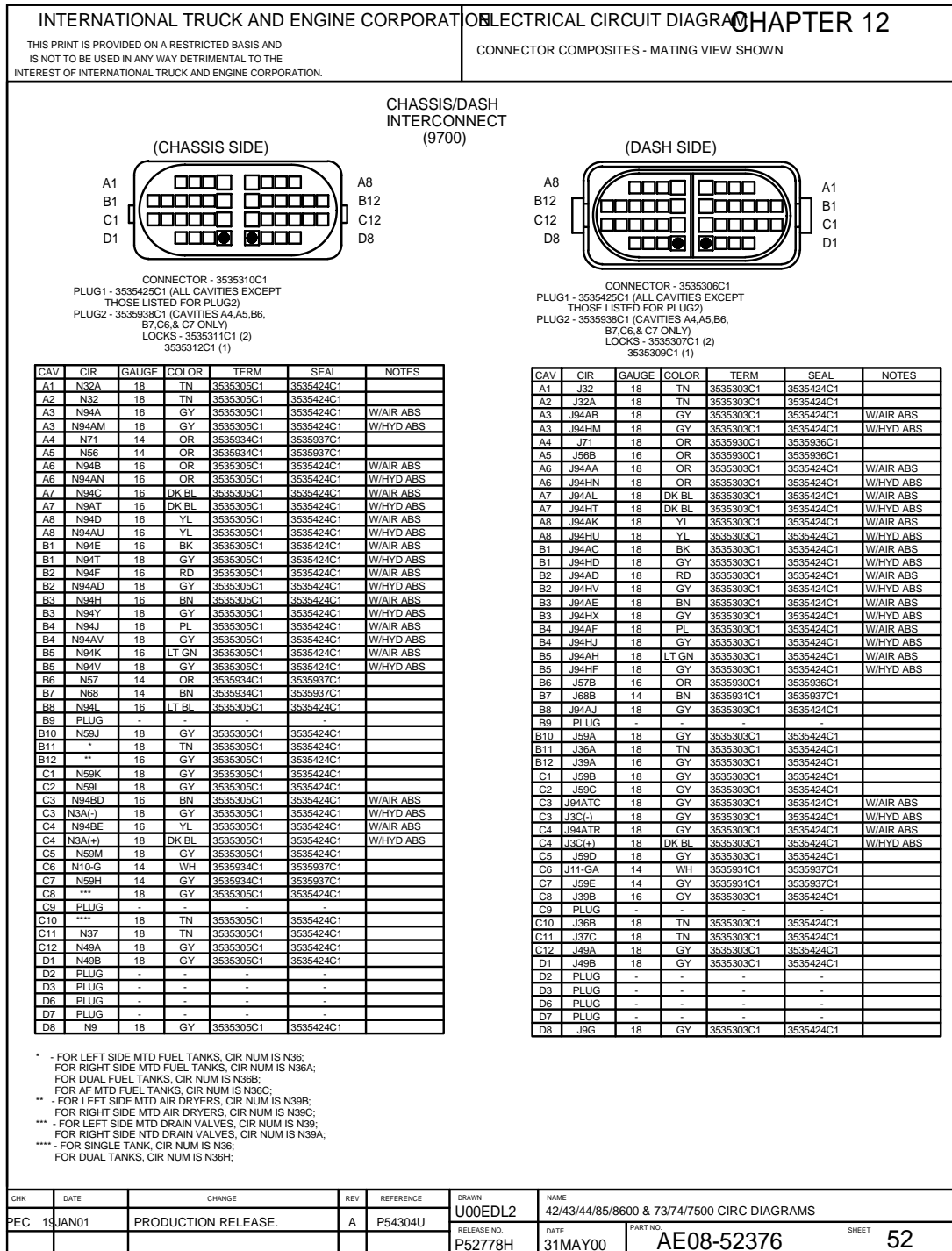


Figure 151 Connector Composite (9700)

12.53. CONNECTOR COMPOSITES (9715), (9715A), (9715B), P. 53

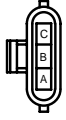
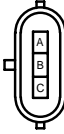

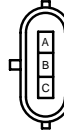
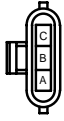
INTERNATIONAL TRUCK AND ENGINE CORPORATION				ELECTRICAL CIRCUIT DIAGRAM CHAPTER 12							
THIS PRINT IS PROVIDED ON A RESTRICTED BASIS AND IS NOT TO BE USED IN ANY WAY DETRIMENTAL TO THE INTEREST OF INTERNATIONAL TRUCK AND ENGINE CORPORATION.				CONNECTOR COMPOSITES - MATING VIEW SHOWN							
TRAILER SOCKET #1 (9715)											
CONNECTOR - 1667733C1 PLUG - 1675451C1 LOCK - 1667734C1				CONNECTOR - 1667732C1 PLUG - 1675451C1 LOCK - 1667734C1							
W/EOF OR BOC TRAILER SOCKET & EOF BODY BUILDER CONNECTOR				NOT W/BOC BODY BUILDER CONNECTORS							
CAV	CIR	GAUGE	COLOR	TERM	SEAL	CAV	CIR	GAUGE	COLOR	TERM	SEAL
A	N70D	10	RD	1667737C1	1667735C1	A	J70A	10	OR	2025425C1	1667735C1
B	N68D	10	BN	1667737C1	1667735C1	B	J68F	12	BN	2025424C1	16671603C1
C	N94D	10	GY	1667737C1	1667735C1	C	J94BC	10	GY	2025425C1	1667735C1
W/BOC TRAILER SOCKET				W/BOC BODY BUILDER CONNECTORS							
CAV	CIR	GAUGE	COLOR	TERM	SEAL	CAV	CIR	GAUGE	COLOR	TERM	SEAL
A	N70	10	RD	1667737C1	1667735C1	A	J70A	10	OR	2025425C1	1667735C1
B	N68	10	BN	1667737C1	1667735C1	B	J68F	16	BN	1667736C1	1664232C1
C	N94	10	DK BL	1667737C1	1667735C1	C	J94BC	10	GY	2025425C1	1667735C1
W/BOC AND AUX BOC TRAILER SOCKET											
CAV	CIR	GAUGE	COLOR	TERM	SEAL						
A	N70A	10	RD	1667737C1	1667735C1						
B	N68A	10	BN	1667737C1	1667735C1						
C	N94A	10	DK BL	1667737C1	1667735C1						
TRAILER SOCKET #1 (9715A)											
CONNECTOR - 1667733C1 PLUG - 1675451C1 LOCK - 1667734C1				CONNECTOR - 1667732C1 PLUG - 1675451C1 LOCK - 1667734C1							
W/EOF TRAILER SOCKET OR EOF BODY BUILDER CONNECTOR				W/EOF TRAILER SOCKET							
CAV	CIR	GAUGE	COLOR	TERM	SEAL	CAV	CIR	GAUGE	COLOR	TERM	SEAL
A	N70D	10	RD	1667737C1	1667735C1	A	R70A	10	RD	2025425C1	1667735C1
B	N68D	10	BN	1667737C1	1667735C1	B	R68A	10	BN	2025425C1	1667735C1
C	N94D	10	GY	1667737C1	1667735C1	C	R94A	10	DK BL	2025425C1	1667735C1
W/BOC TRAILER SOCKET AND EOF BODY BUILDER CONNECTOR				W/EOF BODY BUILDER CONNECTOR							
CAV	CIR	GAUGE	COLOR	TERM	SEAL	CAV	CIR	GAUGE	COLOR	TERM	SEAL
A	N70F	10	RD	1667737C1	1667735C1	A	R70	10	RD	2025425C1	1667735C1
B	N68F	10	BN	1667737C1	1667735C1	B	R68	10	BN	2025425C1	1667735C1
C	N94F	10	GY	1667737C1	1667735C1	C	R94	10	GY	2025425C1	1667735C1
TRAILER SOCKET #1 (9715B)											
CONNECTOR - 1667733C1 PLUG - 1675451C1 LOCK - 1667734C1											
CAV	CIR	GAUGE	COLOR	TERM	SEAL						
A	R70	10	RD	1667737C1	1667735C1						
B	R68	10	BN	1667737C1	1667735C1						
C	R94	10	GY	1667737C1	1667735C1						
						BOC - BACK OF CAB EOF - END OF FRAME					
CHK	DATE	CHANGE	REV	REFERENCE	DRAWN	NAME					
PEC	19JAN01	PRODUCTION RELEASE.	A	P54304U	U00EDL2	42/43/44/85/8600 & 73/74/7500 CIRC DIAGRAMS					
					RELEASE NO.	DATE	PART NO.				
					P52778H	28JUN00	AE08-52376				
						SHEET	53				

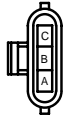
Figure 152 Connector Composites (9715), (9715A), (9715B)

12.54. CONNECTOR COMPOSITES (9716), (9716A), (9716B), P. 54

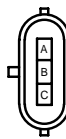
INTERNATIONAL TRUCK AND ENGINE CORPORATION		ELECTRICAL CIRCUIT DIAGRAM CHAPTER 12	
THIS PRINT IS PROVIDED ON A RESTRICTED BASIS AND IS NOT TO BE USED IN ANY WAY DETRIMENTAL TO THE INTEREST OF INTERNATIONAL TRUCK AND ENGINE CORPORATION.		CONNECTOR COMPOSITES - MATING VIEW SHOWN	

TRAILER SOCKET #2 (9716)

CONNECTOR - 1667732C1
PLUG - 1675451C1
LOCK - 1667734C1



CONNECTOR - 1667732C1
PLUG - 1675451C1
LOCK - 1667734C1



NOT W/BOC BODY BUILDER CONNECTORS

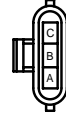
CAV	CIR	GAUGE	COLOR	TERM	SEAL
A	J58F	12	BN	1667737C1	1671603C1
B	J56C	12	OR	1667737C1	1671603C1
C	J57C	12	OR	1667737C1	1671603C1

W/BOC BODY BUILDER CONNECTORS

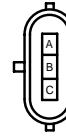
CAV	CIR	GAUGE	COLOR	TERM	SEAL
A	J58F	16	BN	1667738C1	1664232C1
B	J56C	12	OR	1667737C1	1671603C1
C	J57C	12	OR	1667737C1	1671603C1

TRAILER SOCKET #2 (9716A)

CONNECTOR - 1667733C1
PLUG - 1675451C1
LOCK - 1667734C1



CONNECTOR - 1667732C1
PLUG - 1675451C1
LOCK - 1667734C1



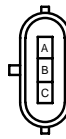
W/EOF TRAILER SOCKET

CAV	CIR	GAUGE	COLOR	TERM	SEAL
A	R58A	10	BK	1667737C1	1667735C1
B	R56A	10	YL	1667737C1	1667735C1
C	R57A	10	LT GN	1667737C1	1667735C1

W/EOF BODY BUILDER CONNECTOR

CAV	CIR	GAUGE	COLOR	TERM	SEAL
A	R58	10	BN	1667737C1	1667735C1
B	R56	10	YL	1667737C1	1667735C1
C	R57	10	LT GN	1667737C1	1667735C1

TRAILER SOCKET #2 (9716B)



CONNECTOR - 1667732C1
PLUG - 1675451C1
LOCK - 1667734C1

CAV	CIR	GAUGE	COLOR	TERM	SEAL
A	R58	10	BN	2025425C1	1667735C1
B	R56	10	YL	2025425C1	1667735C1
C	R57	10	LT GN	2025425C1	1667735C1

BOC - BACK OF CAB
EOF - END OF FRAME

CHK	DATE	CHANGE	REV	REFERENCE	DRAWN	NAME
PEC	19JAN01	PRODUCTION RELEASE.	A	P54304U	U00EDL2	42/43/44/85/8600 & 73/74/7500 CIRC DIAGRAMS
					RELEASE NO.	DATE
					P52778H	28JUN00
						PART NO.
						AE08-52376
						SHEET
						54

Figure 153 Connector Composites (9716), (9716A), (9716B)

12.55. CONNECTOR COMPOSITES (9717), (9717A), (9717B), P. 55

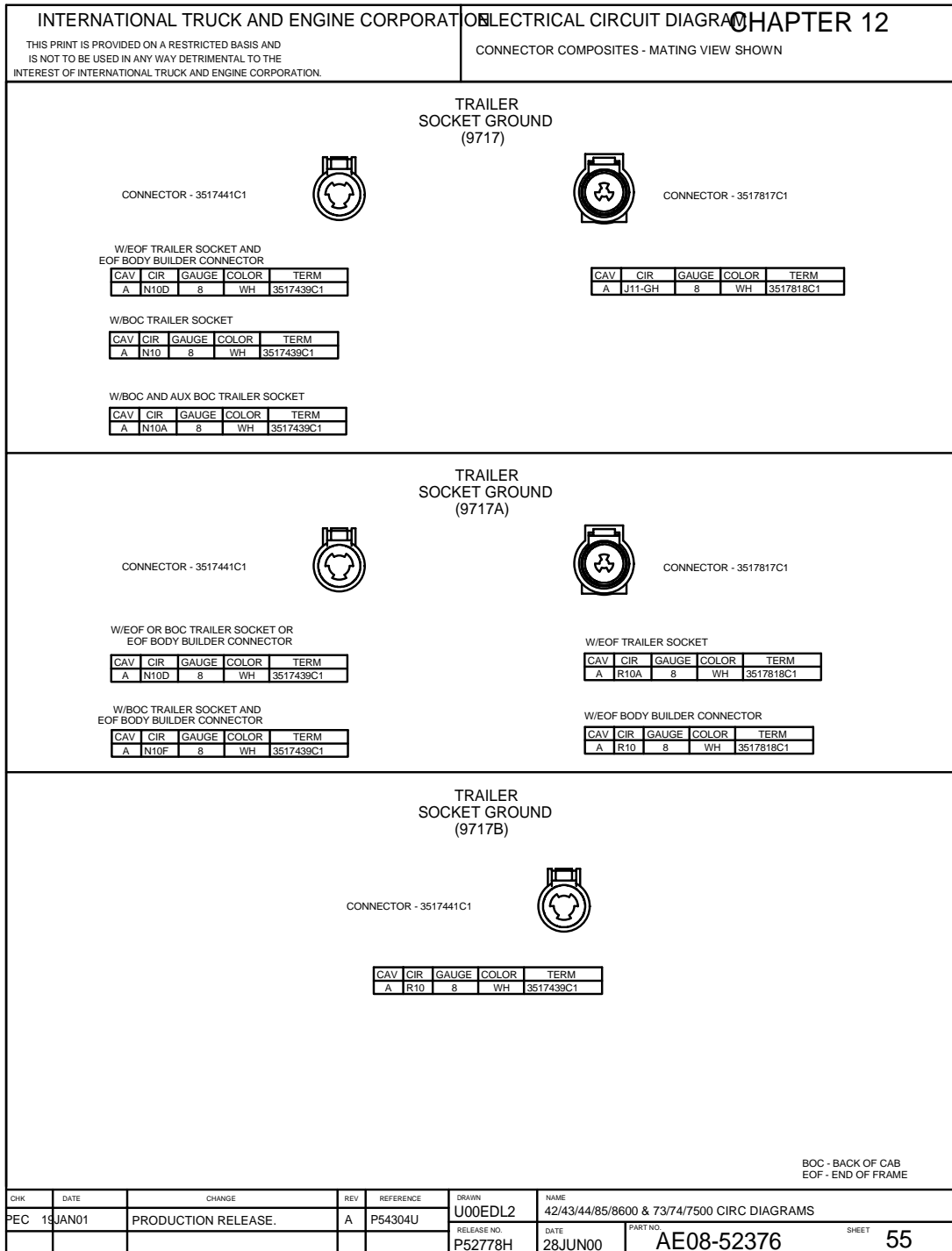


Figure 154 Connector Composites (9717), (9717A), (9717B)

12.56. CONNECTOR COMPOSITES (9718), (9719), (9720), (9733), (9734), (9736), P. 56

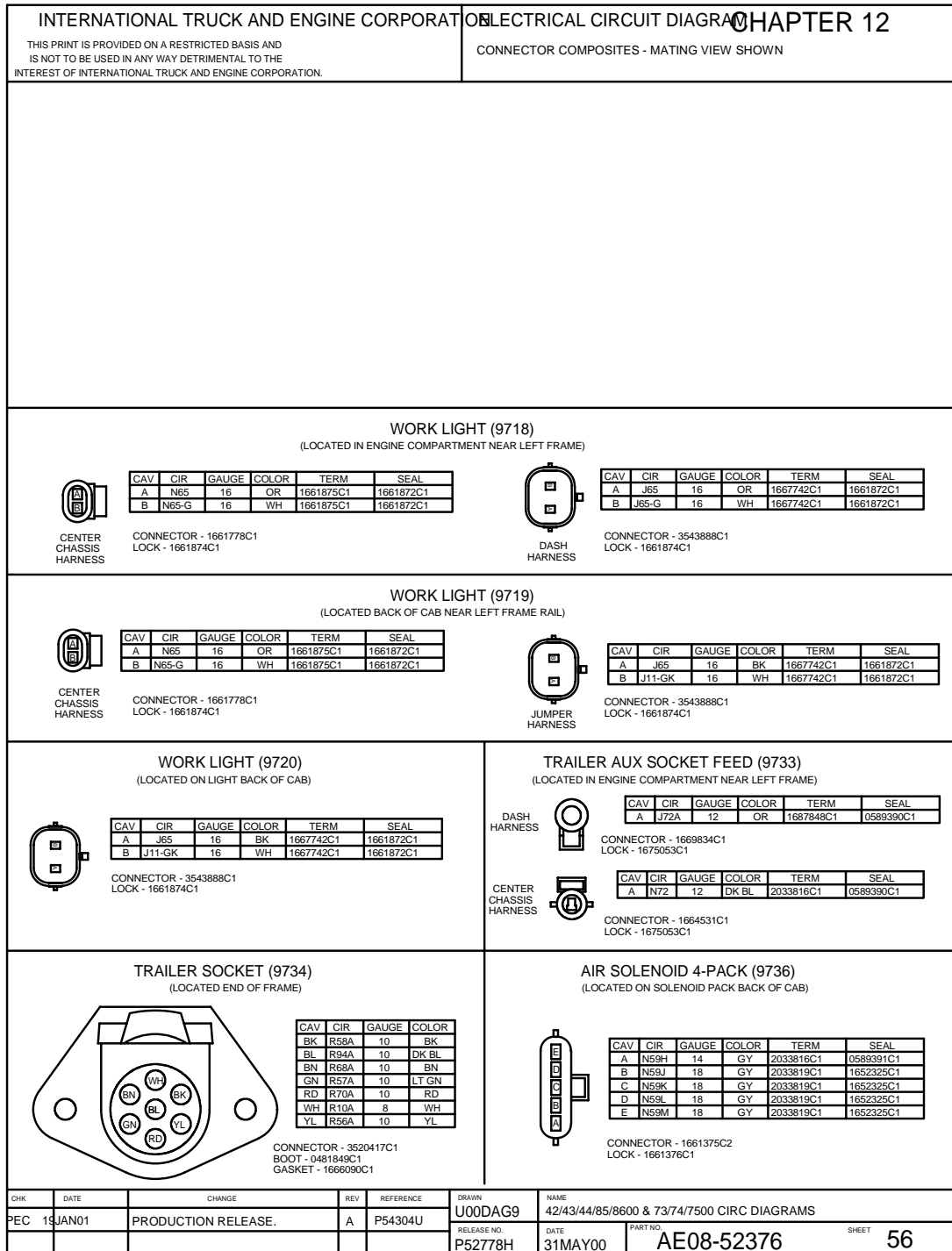


Figure 155 Connector Composites (9718), (9719), (9720), (9733), (9734), (9736)

12.57. CONNECTOR COMPOSITES (9800), (9811), (9812), (9814), (9815), (9850), (9900), (9900A), P. 57

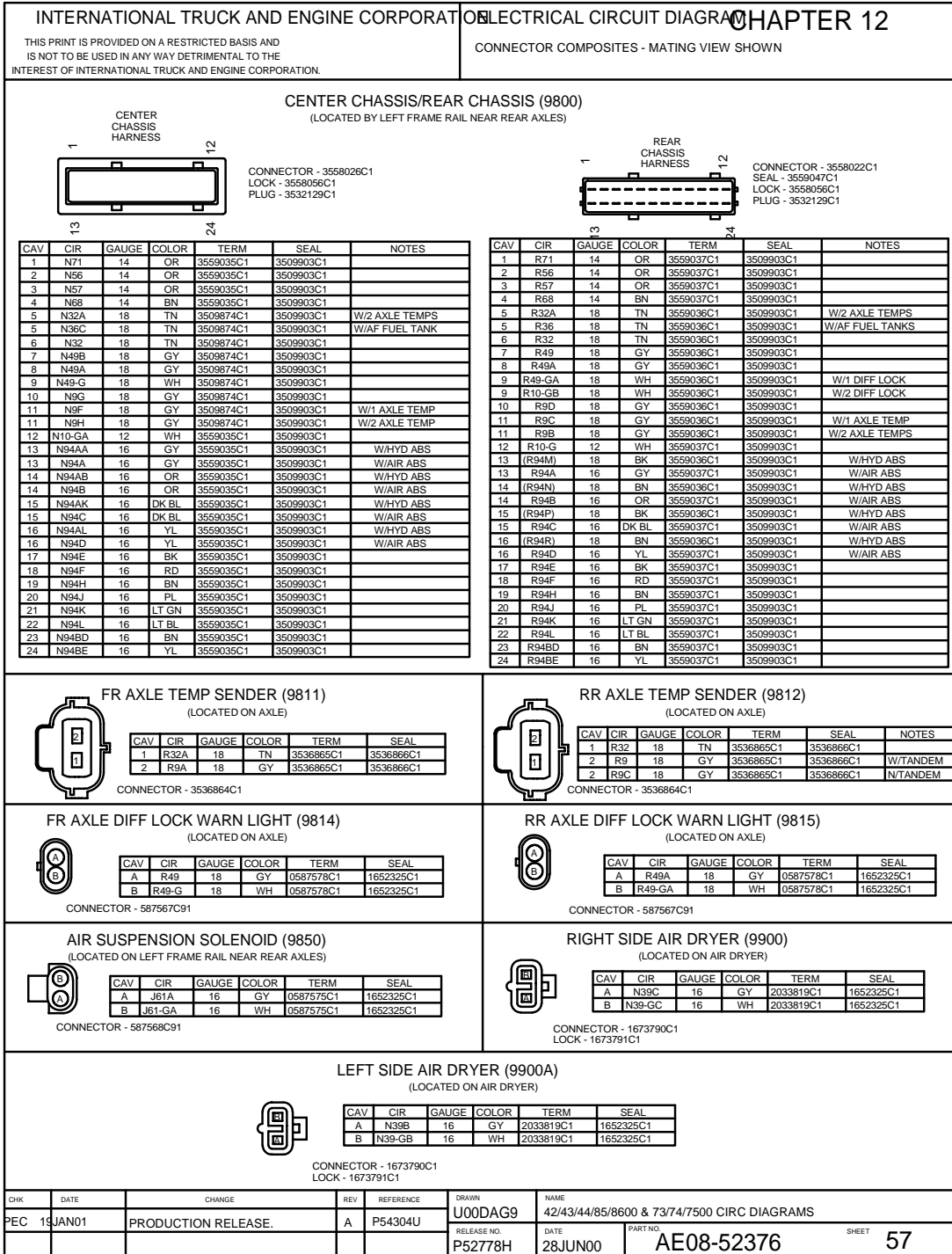


Figure 156 Connector Composites (9800), (9811), (9812), (9814), (9815), (9850), (9900), (9900A)