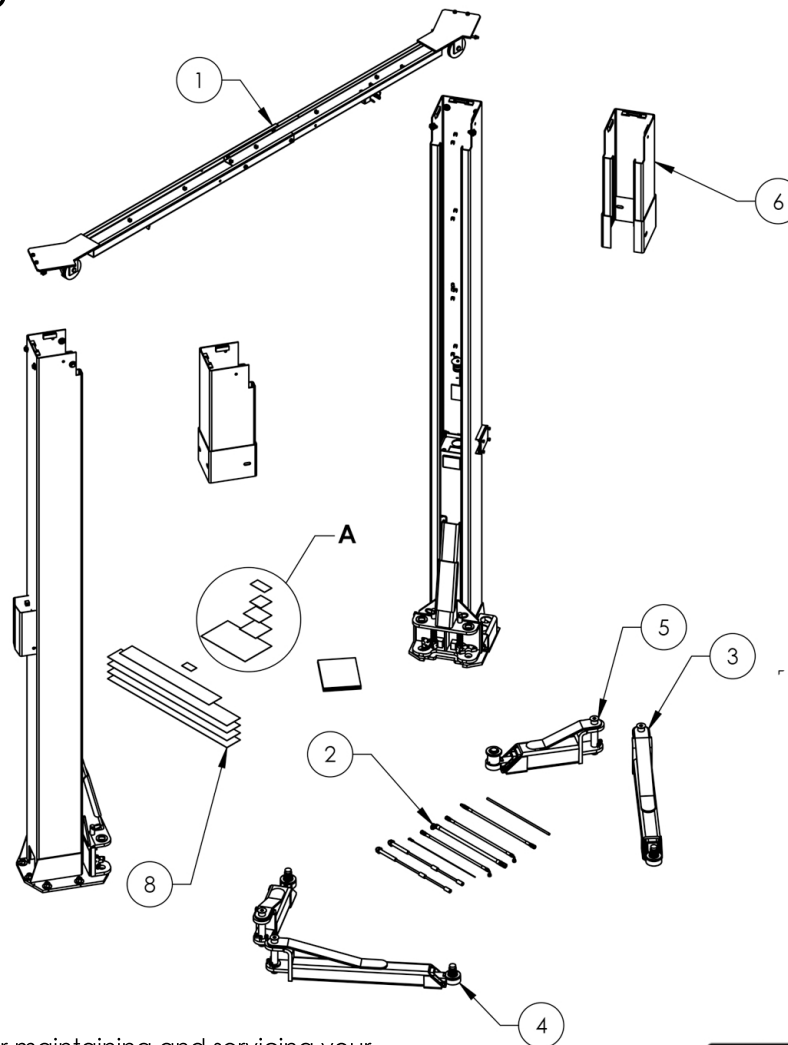


# Service Manual

## Service Parts & Diagrams

# XPR-10AS-168

BendPak SKU 5260561  
XPR-10AS-168 Two-Post Car Lift  
Version F  
09/15/2016



This guide is a troubleshooting reference used for maintaining and servicing your BendPak product. It provides comprehensive information on identifying serviceable parts and components and assists in troubleshooting problems and performing assembly/disassembly procedures.



#### BendPak, Inc. Corporate Office

1645 Lemonwood Drive  
Santa Paula, CA 93060 USA  
Toll Free US/Canada: 1-800-253-2363  
Fax: 1-805-933-9160  
info@bendpak.com

#### Customer Service Desk / Warranty

Customer Service Representatives  
Office Tel: 1-805-933-9970  
Toll Free US/Canada: 1-800-253-2363  
Fax: 1-805-933-9160  
customerservice@bendpak.com

#### Parts Orders

Customer Service Representatives  
Office Tel: 1-805-933-9970  
Toll Free US/Canada: 1-800-253-2363  
Fax: 1-805-933-9160  
parts@bendpak.com

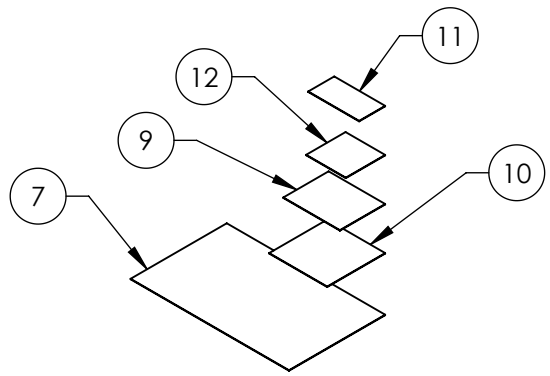
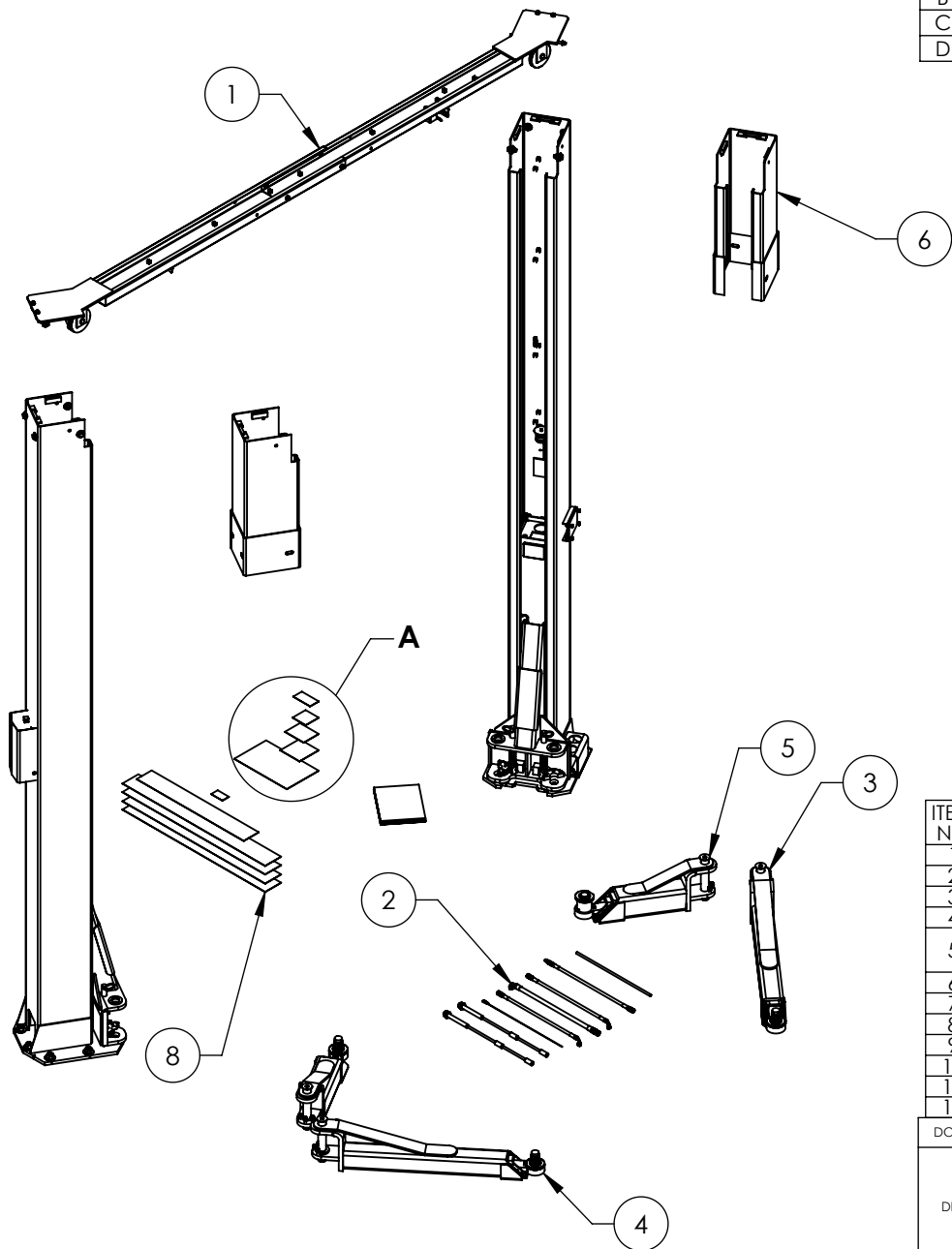
#### Domestic Sales & Service

USA Sales Representatives  
Office Tel: 1-805-933-9970  
Toll Free US/Canada: 1-800-253-2363  
Fax: 1-805-933-9160  
sales@bendpak.com

#### International Sales & Service

Office Tel: 1-805-933-9970  
Exports Department: 1-805-933-9970 Ext. 192  
Toll Free US/Canada: 1-800-253-2363  
Fax: 1-805-933-9160  
bpkexports@bendpak.com

REVISION				
REV	DESCRIPTION	DATE	EDITED BY	ECO#
B	UPDATED BOM REVISIONS	03/22/2016	TM	00750
C	UPDATED BOM REVISION	08/08/2016	TM	00771
D	UPDATED BOM REVISION	08/25/2016	TM	00777



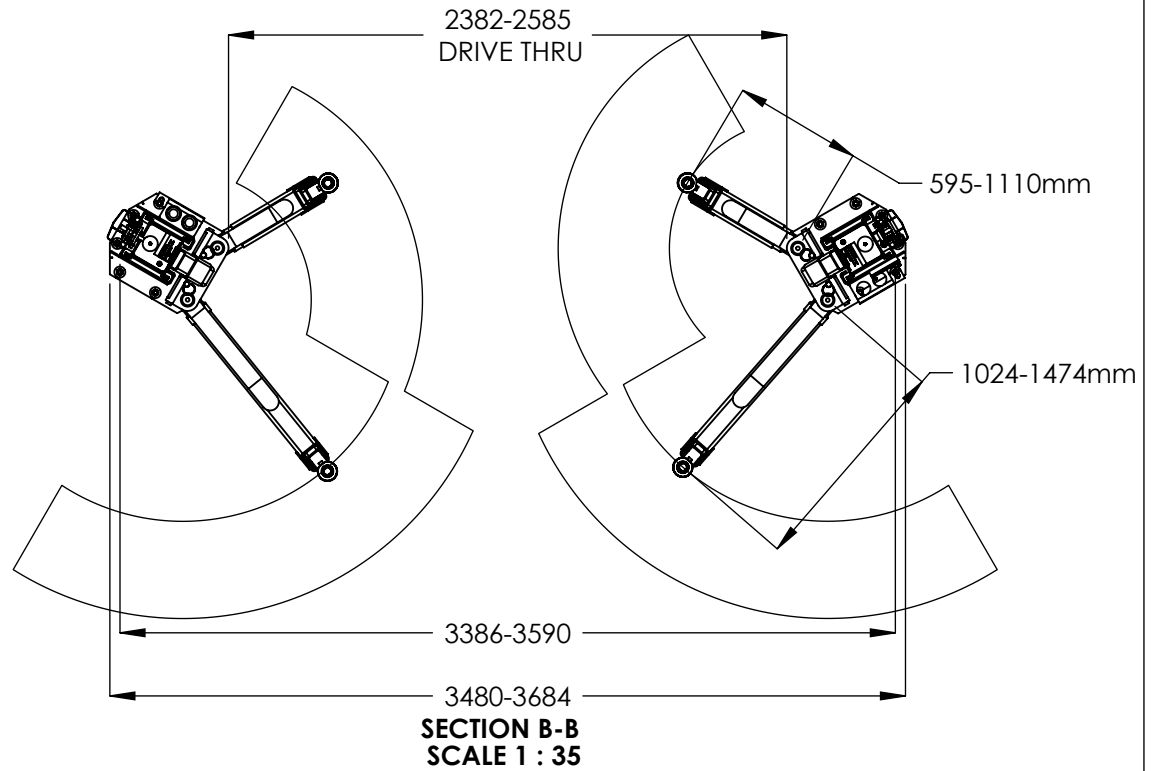
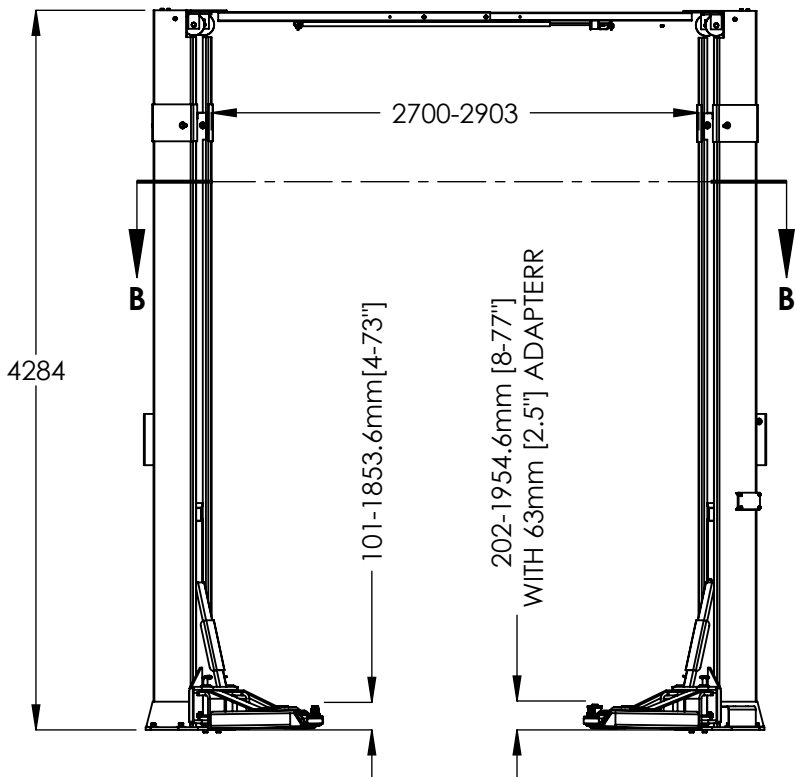
**DETAIL A**  
**SCALE 1 : 12**

ITEM NO	PART NUMBER	DESCRIPTION	QTY	REV
1	5245044	XPR-10A LIFT SUPERSTRUCTURE	1	D
2	5250040	XPR-10AS EXTENDED PARTS BOX	1	D
3	5215286	XPR-10AS LOW PROFILE LONG ARM ASSEMBLY, R.H.	1	D
4	5215285	XPR-10AS LOW PROFILE LONG ARM ASSEMBLY, L.H.	1	D
5	5215284	XPR-10AS LOW PROFILE TRIPLE TELESCOPING ARM ASSEMBLY	2	D
6	5210269	XPR-10 POST EXTENSION WELDMENT	2	E
7	5905109	WARNING ALI/WL 101	1	--
8	5905131	2 POST DECAL KIT, LESS ALI	1	C
9	5905403	MAX CAP DANGER 10K	1	--
10	5905465	MANUFACTURER LABEL	1	--
11	5905940	PRODUCT DATA LABEL	1	--
12	5905950	2015 SERIAL TAG-A-5905950	1	--

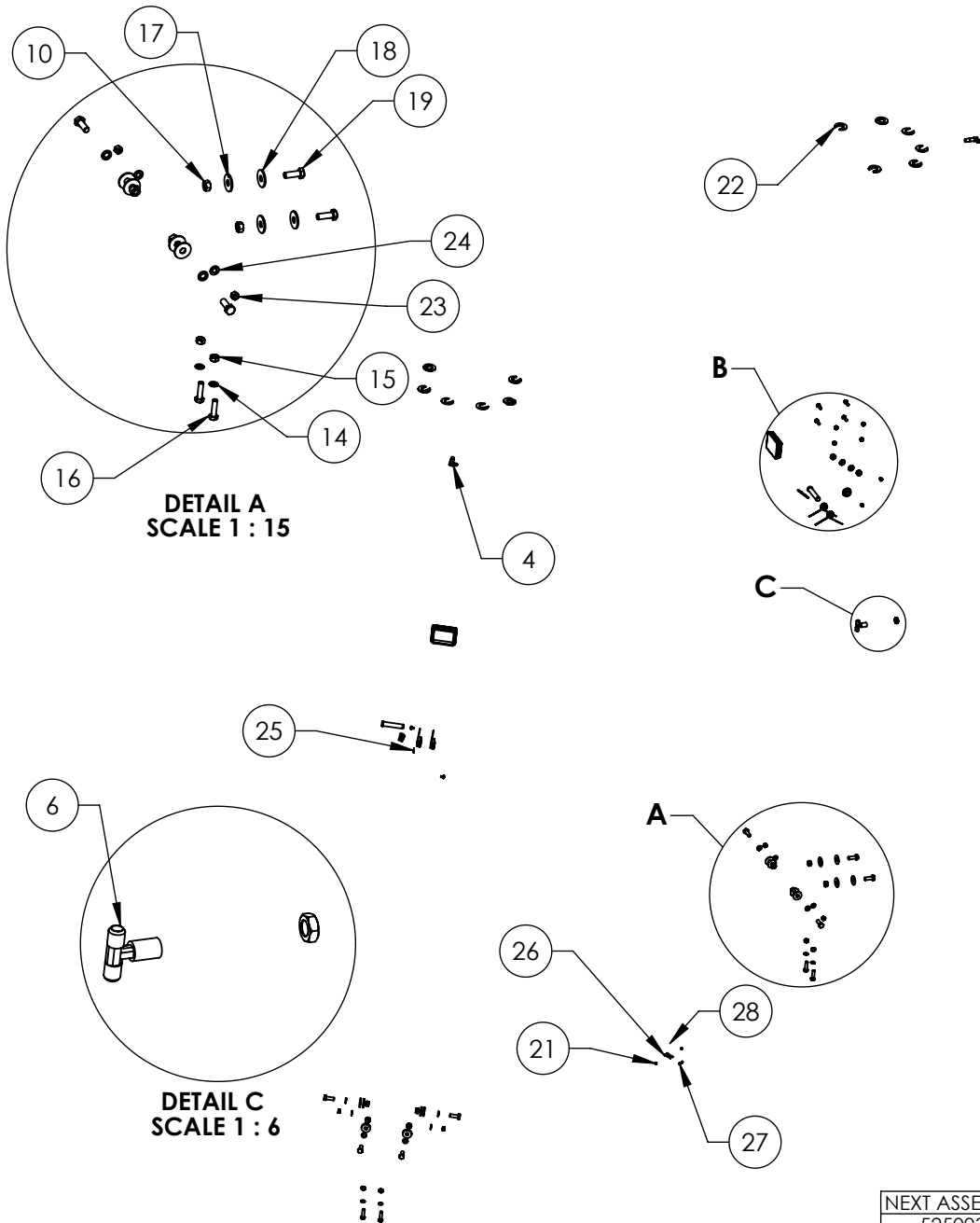
**NOTE: UNLESS OTHERWISE SPECIFIED.**

1. SEE SHIPPING INSTRUCTIONS FOR FINAL PACKAGING
2. ALL LABELS TO BE APPLIED TO POSTS AFTER PAINTING. SEE ATTACHED LABEL PLACEMENT SHEET.

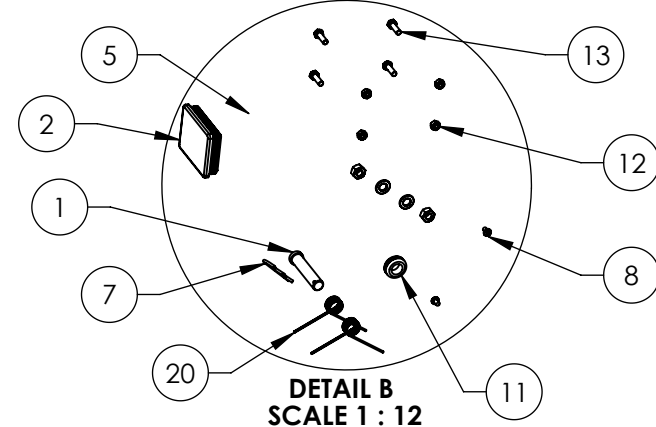
DO NOT SCALE DRAWING	NAME	DATE	1645 LEMONWOOD DR. SANTA PAULA, CA 93060
DIMENSIONS ARE IN MM  	DRAWN	TM 12/14/2015	
	CHECKED	DB 09/06/2016	
THIRD ANGLE PROJECTION 			TITLE: XPR-10AS-168 PRODUCTION LIFT VER F
PROPRIETARY AND CONFIDENTIAL <small>THE INFORMATION CONTAINED IN THIS DRAWING IS THE SOLE PROPERTY OF BENDPAK INC. ANY REPRODUCTION IN PART OR AS A WHOLE WITHOUT THE WRITTEN PERMISSION OF BENDPAK INC. IS PROHIBITED.</small>		SIZE DWG. NO. <b>A</b> 5260561	REV D
SCALE: 1:35			SHEET 1 OF 2



<b>BendPak</b> HYDRAULIC LIFTING SERVICE SOLUTIONS		1645 LEMONWOOD DR. SANTA PAULA, CA 93060	
TITLE: XPR-10AS-168 PRODUCTION LIFT VER F			
SIZE	DWG. NO.	REV	
<b>A</b>	5260561	<b>D</b>	
SCALE: 1:45			SHEET 2 OF 2



REV	DESCRIPTION	REVISION	DATE	EDITED BY	ECO#
G	ADDED (2) 5540075, REPLACED 5530314 WITH 5530261, REPLACED 5540001 WITH 5540075, UPDATED TITLE TO REFLECT WHERE USED, UPDATED BOM REVISION AND NEXT ASSEMBLIES		06/27/2013	TM	00605
H	REPLACED 5545251 WITH 5545500, REPLACED (8) 5545347 WITH 5545027, ADDED (8) 5545027, UPDATED BOM REVISION		04/23/2014	TS	00649
J	REPLACED 5505113 WITH 5505001, UPDATED NEXT ASSEMBLY		10/06/2014	TM	00663
J-001	UPDATED NEXT ASSEMBLIES		11/24/2015	TM	00738



ITEM NO	PART NUMBER	DESCRIPTION	QTY	REV
1	5505001	GP-7/PL-6000/XPR SERIES SAFETY CLEVIS PIN	2	A
2	5715196	XPR PLASTIC COVER BLOCK 105 x 80	2	C
3	5535022	NUT 9/16"-18 JN	1	-
4	5550113	FIG FLB -04 NPT L x -04 JIC	2	-
5	5550183	FIG FLB -06 JIC -06L ORB	1	-
6	5550003	FIG TEE -04 JIC -04 JIC -06 JIC	1	-
7	5505350	MODEL #211 HAIR PIN/LARGE	2	-
8	5530261	PHPS M6 x 1 x 10	4	-
9	5545347	WASHER M12 FLAT WASHER	2	-
10	5535354	NUT M12 x 1.75	10	-
11	5520001	RUBBER GROMMET 3/4 I.D.	1	-
12	5535001	NUT M8 x 1.25 NL	4	-
13	5530010	HHB M8 x 1.25 x 25	4	-
14	5545200	WASHER M10 x Ø18 SL	4	-
15	5535998	NUT M10 x 1.5	4	-
16	5530760	HEX HEAD BOLT M10x1.25x35	4	-
17	5545201	WASHER M12 SPRING LOCK	8	-
18	5545027	WASHER M12 x Ø37 x 3mm	16	-
19	5530076	HHB M12 x 1.75 x 35mm	8	-
20	5540075	2.5 WIRE DIA., Ø20.5 x 75 LG	4	A
21	5530750	STS M4.2 x 1.7 x 6	2	-
22	5545535	C WASHER SHIM FOR LIFTS	20	-
23	5535013	NUT M10 x 1.5 NL	4	-
24	5545341	WASHER M10 x Ø20 FLAT	4	-
25	5505031	ROTOR CLIP 12mm SS	1	-
26	5530115	BHS 6-32 x 1.25	2	-
27	5535190	HN 6-32	2	-
28	5520140	ROMEX CONNECTOR 3/8 #6623	2	-

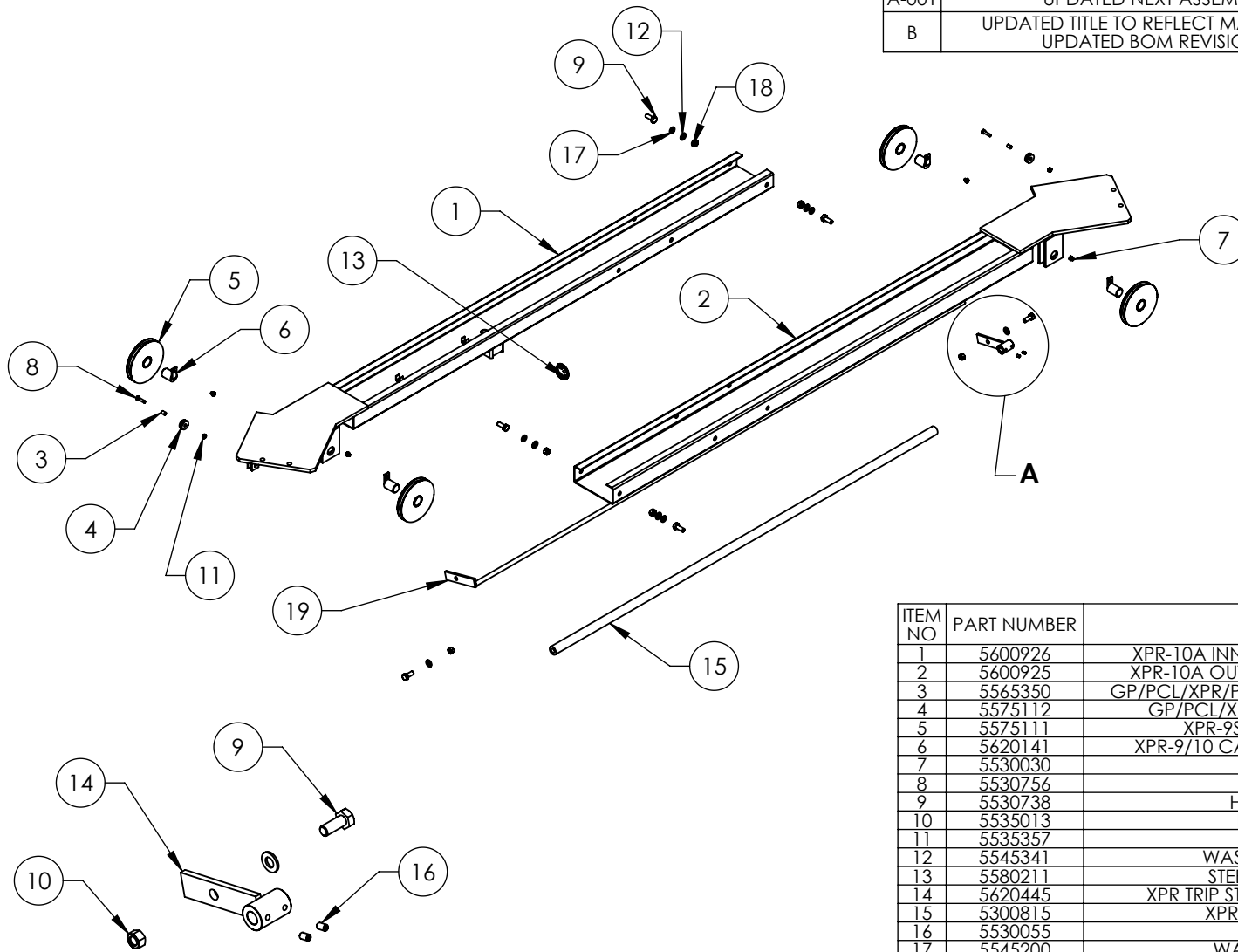
DO NOT SCALE DRAWING	NAME	DATE	1645 LEMONWOOD DR. SANTA PAULA, CA 93060
DIMENSIONS ARE IN MM	DRAWN	TM 01/26/2010	
	CHECKED	CA 02/19/2016	
	THIRD ANGLE PROJECTION		TITLE: XPR CLEARFLOOR EXTENDED PARTS BAG
			SIZE DWG. NO. A 5174218
	<small>PROPRIETARY AND CONFIDENTIAL          THE INFORMATION CONTAINED IN THIS DRAWING IS THE SOLE PROPERTY OF BENDPAK INC. ANY REPRODUCTION IN PART OR AS A WHOLE WITHOUT THE WRITTEN PERMISSION OF BENDPAK INC. IS PROHIBITED.</small>		REV J
SCALE: 1:30			SHEET 1 OF 1

NEXT ASSEMBLY
5250039
5250040
5250045
5250046
5250047
5250048
5250049

**NOTE: UNLESS OTHERWISE SPECIFIED.**

1. SEE SHIPPING INSTRUCTIONS FOR FINAL PACKAGING

		REVISION		
REV	DESCRIPTION	DATE	EDITED BY	ECO#
A A-001	PRODUCTION RELEASE, DERIVED FROM 5210203 UPDATED NEXT ASSEMBLY	10/07/2014 10/15/2015	TM HG	00663 00732
B	UPDATED TITLE TO REFLECT MARKETING, UPDATED BOM REVISIONS	11/23/2015	TM	00738



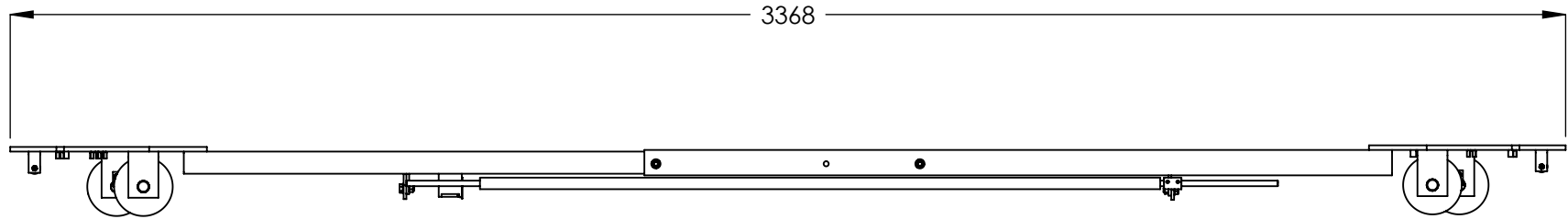
DETAIL A  
SCALE 1 : 6

ITEM NO	PART NUMBER	DESCRIPTION	QTY	REV
1	5600926	XPR-10A INNER TOP TROUGH WELDMENT	1	B
2	5600925	XPR-10A OUTER TOP TROUGH WELDMENT	1	B
3	5565350	GP/PCL/XPR/PL-7000 SAFETY SHEAVE SPACER	2	C
4	5575112	GP/PCL/XPR/PL-7000 SAFETY SHEAVE	2	C
5	5575111	XPR-9S/10 SHEAVE ASSEMBLY	4	F
6	5620141	XPR-9/10 CABLE SHEAVE PIN WELDMENT	4	F
7	5530030	HHB M6 x 1 x 8	4	-
8	5530756	HHB M6 x 1 x 25	2	-
9	5530738	HHB M10 x 1.5 x 25	6	-
10	5535013	NUT M10 x 1.5 NL	2	-
11	5535357	NUT M6 x 1.0 NL	2	-
12	5545341	WASHER M10 x Ø20 FLAT	6	-
13	5580211	STEEL HOLE PLUG 1 1/4"	1	-
14	5620445	XPR TRIP STOP BAR SLIDER WELDMENT	1	C
15	5300815	XPR STOP BAR CUSHION	1	C
16	5530055	SSS M6x1x10	2	-
17	5545200	WASHER M10 x Ø18 SL	4	-
18	5535998	NUT M10 x 1.5	4	-
19	5600501	XPR-10/10A MICROSWITCH STOP BAR WELDMENT	1	B

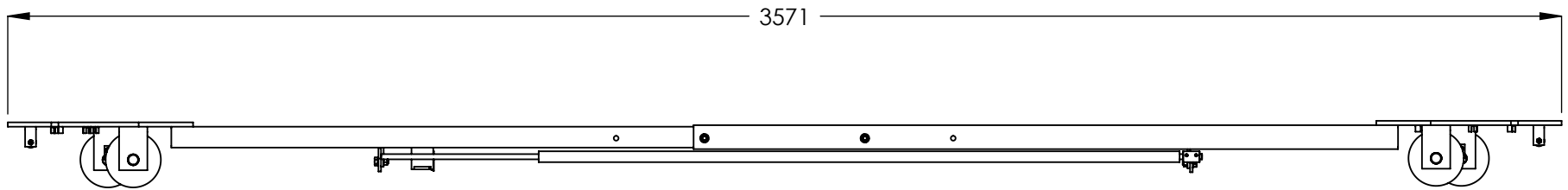
DO NOT SCALE DRAWING	NAME	DATE	1645 LEMONWOOD DR. SANTA PAULA, CA 93060
	DRAWN	TM 10/07/2014	
	CHECKED	CA 02/17/2016	
DIMENSIONS ARE IN MM  	THIRD ANGLE PROJECTION		TITLE: XPR-10A TOP TROUGH ASSEMBLY
			SCALE: 1:18
PROPRIETARY AND CONFIDENTIAL THE INFORMATION CONTAINED IN THIS DRAWING IS THE SOLE PROPERTY OF BENDPAK INC. ANY REPRODUCTION IN PART OR AS A WHOLE WITHOUT THE WRITTEN PERMISSION OF BENDPAK INC. IS PROHIBITED.			SIZE DWG. NO. REV <b>A</b> 5210211 B
NEXT ASSEMBLY			SHEET 1 OF 2
5245044			
5245045			

**NOTE: UNLESS OTHERWISE SPECIFIED.**


- SEE SHIPPING INSTRUCTIONS FOR FINAL PACKAGING
- ASSEMBLE ITEMS AS SHOWN



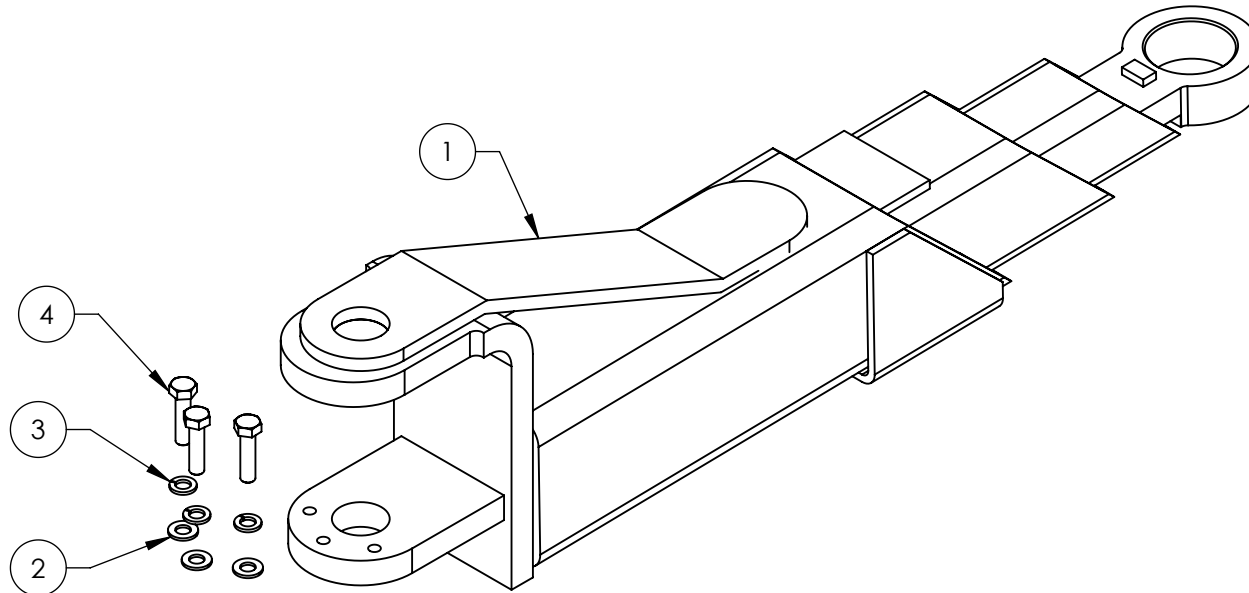
**COLLAPSED**





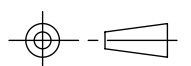
**EXTENDED**

		1645 LEMONWOOD DR. SANTA PAULA, CA 93060
TITLE: XPR-10A TOP TROUGH ASSEMBLY		
SIZE <b>A</b>	DWG. NO. 5210211	REV B
SCALE: 1:15		SHEET 2 OF 2

REVISION				
REV	DESCRIPTION	DATE	EDITED BY	ECO#
B	UPDATED BOM REVISIONS	08/12/2015	JM	00718
C	UPDATED TITLE TO REFLECT MARKETING, UPDATED NEXT ASSEMBLIES	12/01/2015	TM	00738
D	UPDATED BOM REVISION	03/22/2016	TM	00750



ITEM NO	PART NUMBER	DESCRIPTION	QTY	REV
1	5600994	XPR-10AS LOW PROFILE TRIPLE TELESCOPING ARM WELDMENT	1	C
2	5545341	WASHER M10 x Ø20 FLAT	3	-
3	5545200	WASHER M10 x Ø18 SL	3	-
4	5530302	HHB M10 x 1.5 x 40	3	-

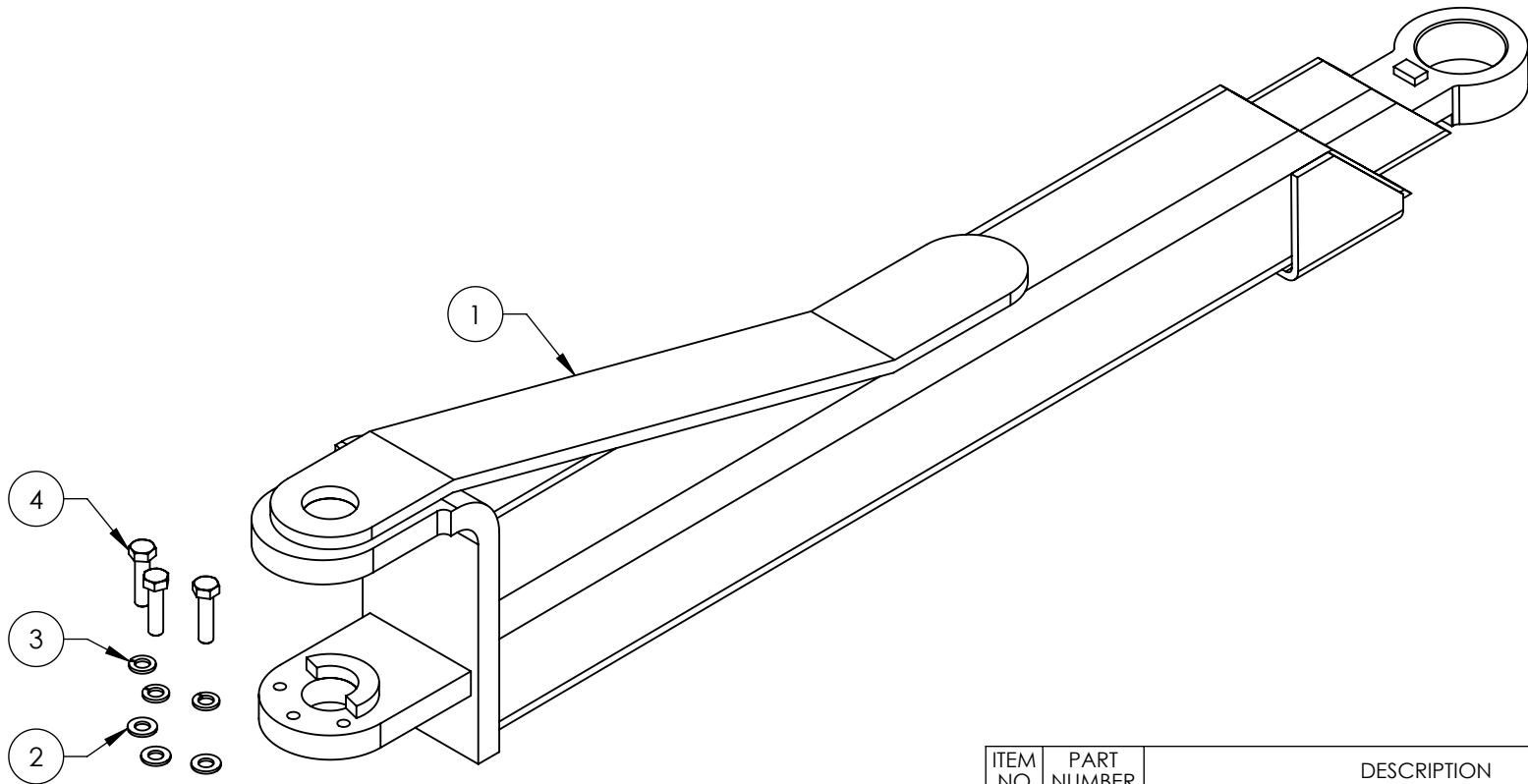
DO NOT SCALE DRAWING		NAME	DATE	 1645 LEMONWOOD DR. SANTA PAULA, CA 93060
DIMENSIONS ARE IN MM  		DRAWN	JM 06/22/2015	
		CHECKED	CA 04/26/2016	
		THIRD ANGLE PROJECTION		TITLE: XPR-10AS LOW PROFILE TRIPLE TELESCOPING ARM ASSEMBLY
				SIZE DWG. NO. REV
		<small>PROPRIETARY AND CONFIDENTIAL          THE INFORMATION CONTAINED IN THIS DRAWING IS THE SOLE PROPERTY OF BENDPAK INC. ANY REPRODUCTION IN PART OR AS A WHOLE WITHOUT THE WRITTEN PERMISSION OF BENDPAK INC. IS PROHIBITED.</small>		A 5215284 D
		SCALE: 1:5		SHEET 1 OF 1

**NOTE: UNLESS OTHERWISE SPECIFIED.**

- SEE SHIPPING INSTRUCTIONS FOR FINAL PACKAGING
- ASSEMBLE ITEMS AS SHOWN

NEXT ASSEMBLY
5260561
5260562

REVISION				
REV	DESCRIPTION	DATE	EDITED BY	ECO#
B	UPDATED BOM REVISIONS	08/12/2015	JM	00718
C	UPDATED TITLE TO REFLECT MARKETING, UPDATED NEXT ASSEMBLIES	12/01/2015	TM	00738
D	UPDATED BOM REVISION	03/22/2016	TM	00750



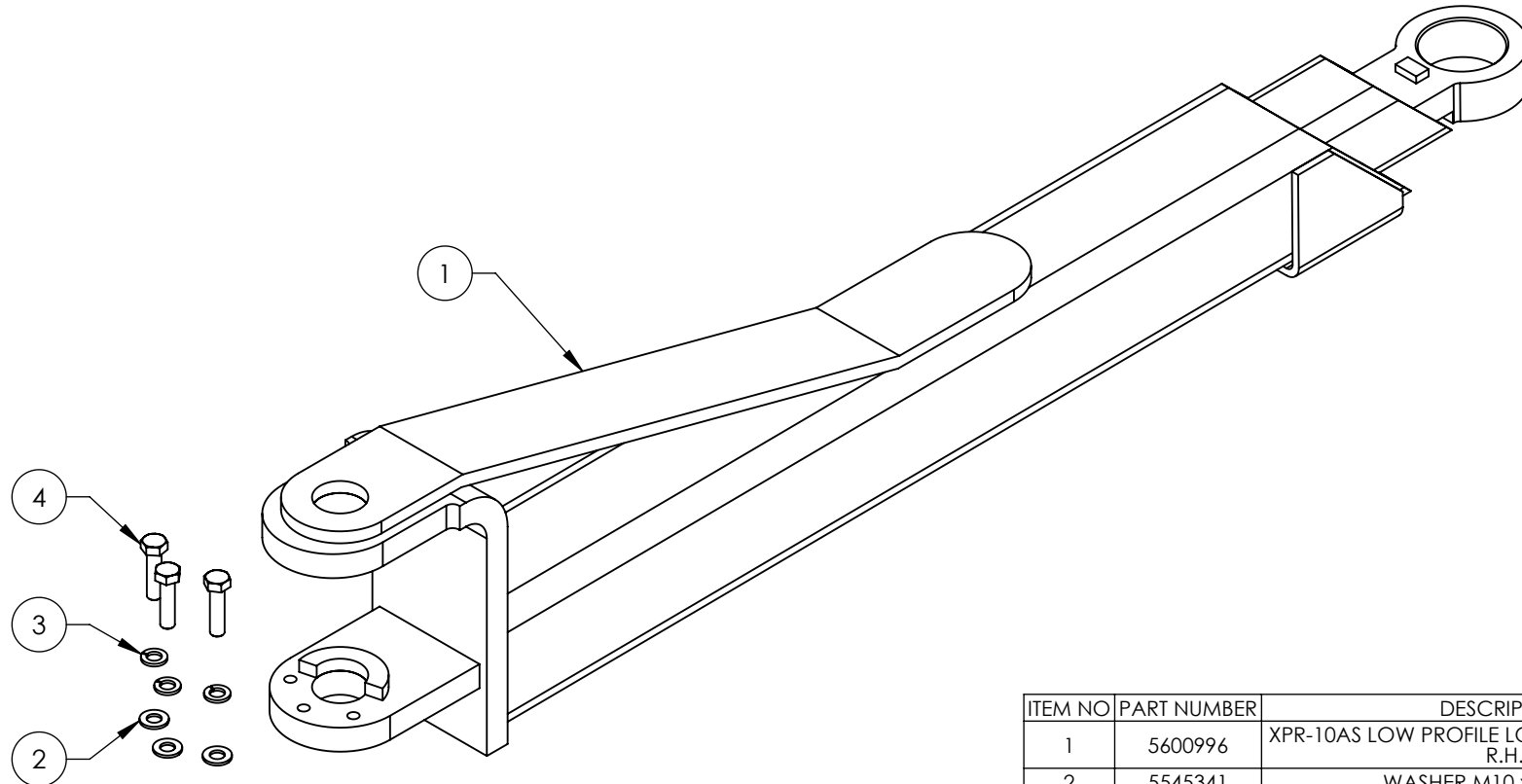
ITEM NO	PART NUMBER	DESCRIPTION	QTY	REV
1	5600995	XPR-10AS LOW PROFILE LONG ARM WELDMENT, L.H.	1	C
2	5545341	WASHER M10 x Ø20 FLAT	3	-
3	5545200	WASHER M10 x Ø18 SL	3	-
4	5530302	HHB M10 x 1.5 x 40	3	-

DO NOT SCALE DRAWING		NAME	DATE	1645 LEMONWOOD DR. SANTA PAULA, CA 93060
DIMENSIONS ARE IN MM		DRAWN	JM 06/23/2015	
		CHECKED	CA 04/26/2016	TITLE: <b>XPR-10AS LOW PROFILE LONG ARM ASSEMBLY, L.H.</b>
		THIRD ANGLE PROJECTION		
NEXT ASSEMBLY		PROPRIETARY AND CONFIDENTIAL THE INFORMATION CONTAINED IN THIS DRAWING IS THE SOLE PROPERTY OF BENDPAK INC. ANY REPRODUCTION IN PART OR AS A WHOLE WITHOUT THE WRITTEN PERMISSION OF BENDPAK INC. IS PROHIBITED.		SIZE DWG. NO. <b>A 5215285</b>
5260561		SCALE: 1:5		REV D
5260562		SHEET 1 OF 1		

**NOTE: UNLESS OTHERWISE SPECIFIED.**  
 1. SEE SHIPPING INSTRUCTIONS FOR FINAL PACKAGING  
 2. ASSEMBLE ITEMS AS SHOWN



REVISION				
REV	DESCRIPTION	DATE	EDITED BY	ECO#
B	UPDATED BOM REVISIONS	08/12/2015	JM	00718
C	UPDATED TITLE TO REFLECT MARKETING, UPDATED NEXT ASSEMBLIES	12/01/2015	TM	00738
D	UPDATED BOM REVISION	03/22/2016	TM	00750



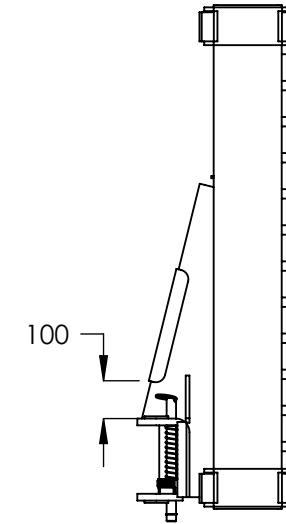
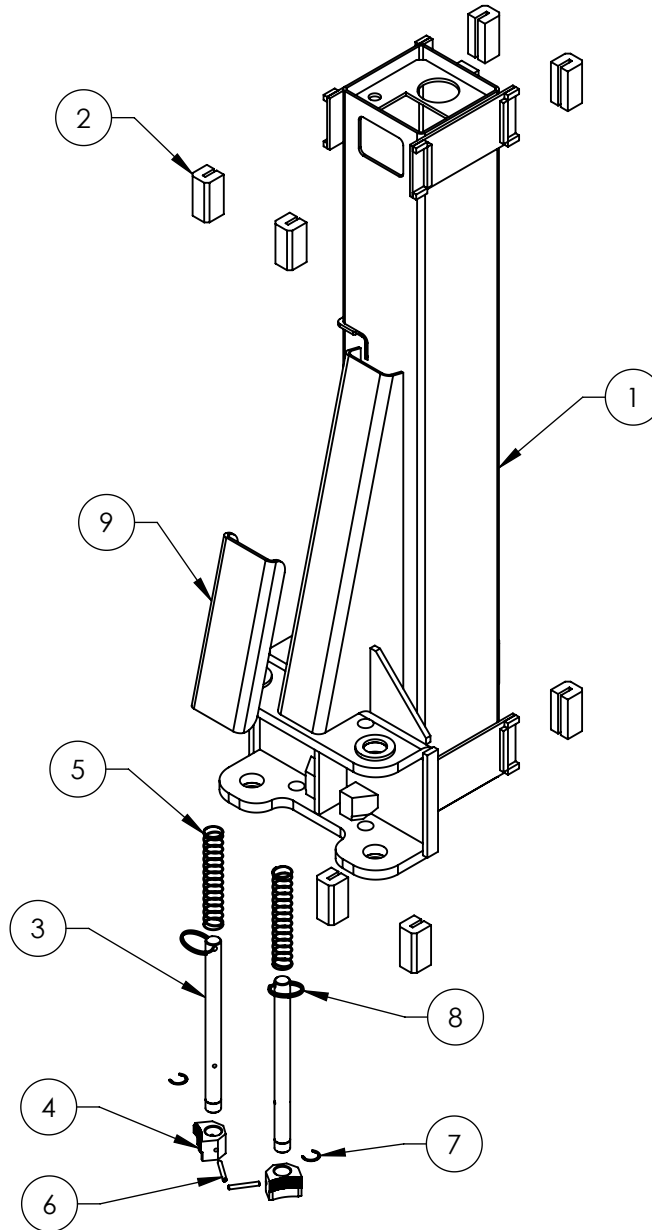
ITEM NO	PART NUMBER	DESCRIPTION	QTY	REV
1	5600996	XPR-10AS LOW PROFILE LONG ARM WELDMENT, R.H.	1	C
2	5545341	WASHER M10 x Ø20 FLAT	3	-
3	5545200	WASHER M10 x Ø18 SL	3	-
4	5530302	HHB M10 x 1.5 x 40	3	-

DO NOT SCALE DRAWING		NAME	DATE	1645 LEMONWOOD DR. SANTA PAULA, CA 93060
DIMENSIONS ARE IN MM		DRAWN	JM 06/23/2015	
		CHECKED	CA 04/26/2016	
THIRD ANGLE PROJECTION				TITLE: XPR-10AS LOW PROFILE LONG ARM ASSEMBLY, R.H.
PROPRIETARY AND CONFIDENTIAL THE INFORMATION CONTAINED IN THIS DRAWING IS THE SOLE PROPERTY OF BENDPAK INC. ANY REPRODUCTION IN PART OR AS A WHOLE WITHOUT THE WRITTEN PERMISSION OF BENDPAK INC. IS PROHIBITED.		SIZE	DWG. NO.	REV
NEXT ASSEMBLY		A	5215286	D
5260561		SCALE: 1:5		SHEET 1 OF 1
5260562				

**NOTE: UNLESS OTHERWISE SPECIFIED.**

- SEE SHIPPING INSTRUCTIONS FOR FINAL PACKAGING
- ASSEMBLE ITEMS AS SHOWN

		REVISION		
REV	DESCRIPTION	DATE	EDITED BY	ECO#
J	UPDATED BOM REVISION	11/19/2014	TM	00673
K	UPDATED BOM REVISION	05/14/2015	TM	00689
L	UPDATED BOM REVISIONS	11/03/2015	HG	00738



ITEM NO	PART NUMBER	DESCRIPTION	QTY	REV
1	5600503	XPR-10/10A LIFT HEAD WELDMENT	1	K
2	5716001	PL-6000/7000, GP/XPR SERIES GUIDE BLOCK	8	E
3	5746098	GP/RTL, XPR-9/10 Ø25mm GEAR SHAFT	2	E
4	5701052	GP/RTL/XPR ARM INTERNAL GEAR STOP	2	E
5	5540133	GP-7, RTL-8000, XPR-9/10 LIFT HEAD SPRING	2	C
6	5505106	SPRING PIN M6 x 50	2	-
7	5540006	SNAP RING TRUARC 5103-100	2	-
8	5580219	KEYRING 56mm x 3mm	2	-
9	5930183	XPR-9/10 LIFT HEAD GUSSET COVER	1	E

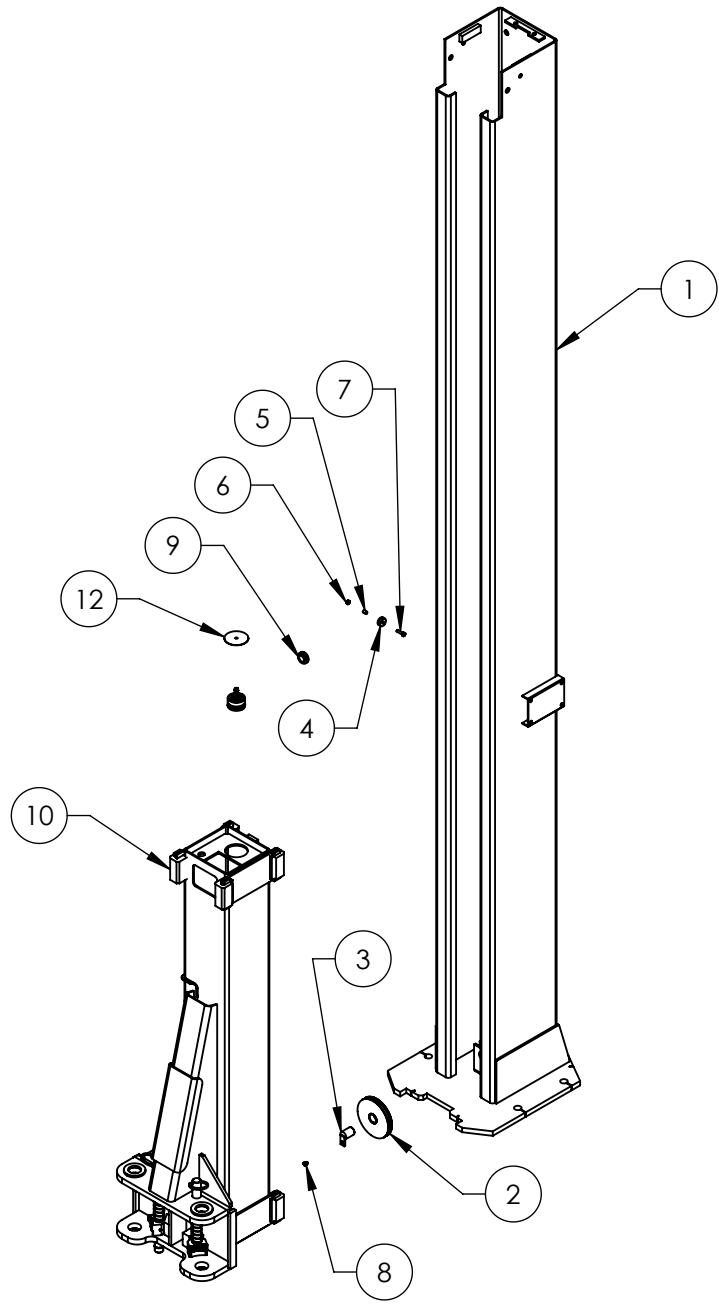
DO NOT SCALE DRAWING		NAME	DATE	1645 LEMONWOOD DR. SANTA PAULA, CA 93060
		DRAWN	TM 08/30/2010	
		CHECKED	CA 02/18/2016	
DIMENSIONS ARE IN MM		THIRD ANGLE PROJECTION		TITLE: XPR-10/10A LIFT HEAD ASSEMBLY
				SIZE DWG. NO.
		<small>PROPRIETARY AND CONFIDENTIAL THE INFORMATION CONTAINED IN THIS DRAWING IS THE SOLE PROPERTY OF BENDPAK INC. ANY REPRODUCTION IN PART OR AS A WHOLE WITHOUT THE WRITTEN PERMISSION OF BENDPAK INC. IS PROHIBITED.</small>		REV
NEXT ASSEMBLY		A 5215387		L
SCALE: 1:12			SHEET 1 OF 1	

**NOTE: UNLESS OTHERWISE SPECIFIED.**

- SEE SHIPPING INSTRUCTIONS FOR FINAL PACKAGING
- ASSEMBLE ITEMS AS SHOWN

NEXT ASSEMBLY
5215388
5215389

REV	DESCRIPTION	REVISION	DATE	EDITED BY	ECO#
M	UPDATED BOM REVISIONS		11/19/2014	TM	00673
N	UPDATED BOM REVISION		05/14/2015	TM	00689
P	UPDATED TITLE TO REFLECT MARKETING, UPDATED BOM REVISIONS		11/24/2015	TM	00738



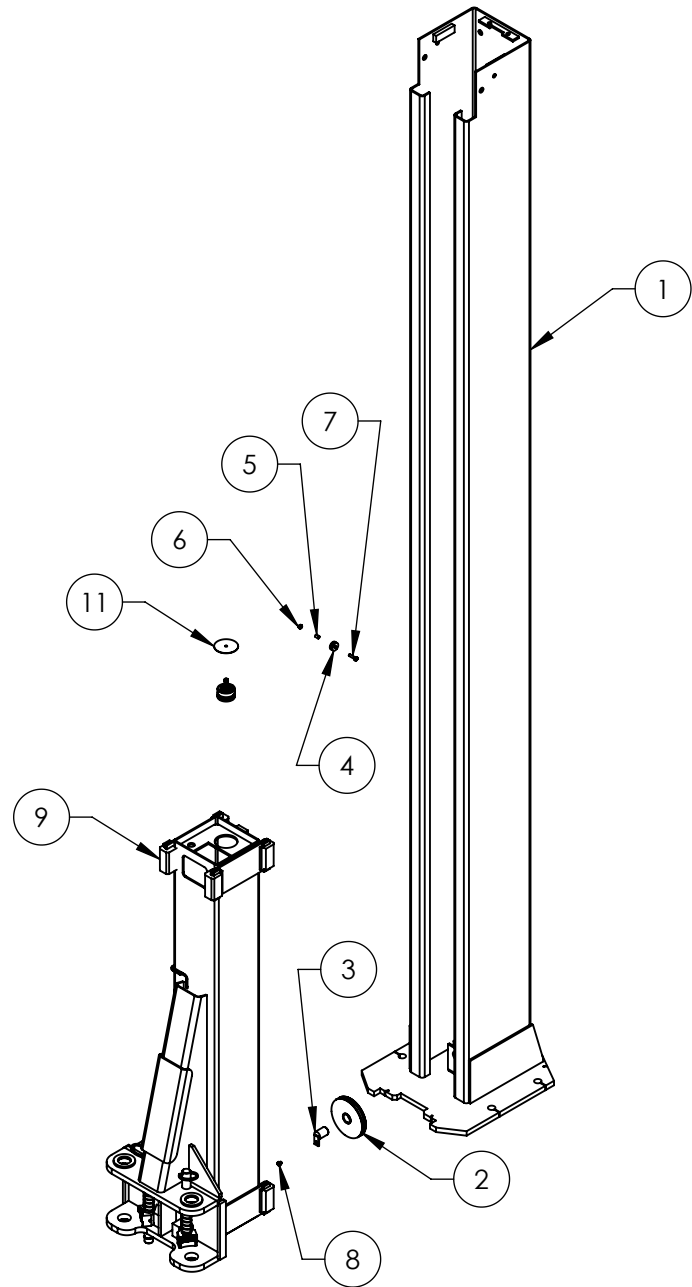
ITEM NO	PART NUMBER	DESCRIPTION	QTY	REV
1	5600386	XPR-10 POWER SIDE POST WELDMENT	1	H
2	5575111	XPR-9S/10 SHEAVE ASSEMBLY	1	F
3	5620141	XPR-9/10 CABLE SHEAVE PIN WELDMENT	1	F
4	5575112	GP/PCL/XPR/PL-7000 SAFETY SHEAVE	1	C
5	5565350	GP/PCL/XPR/PL-7000 SAFETY SHEAVE SPACER	1	C
6	5535357	NUT M6 x 1.0 NL	1	-
7	5530756	HHB M6 x 1 x 25	1	-
8	5530030	HHB M6 x 1 x 8	1	-
9	5520001	RUBBER GROMMET, 3/4 I.D.	1	A
10	5215387	XPR-10/10A LIFT HEAD ASSEMBLY	1	L
11	5502300	CYLINDER ASSEMBLY Ø2.0 x 69	1	F
12	5701716	XPR LIGHT DUTY CYLINDER STOPPER	1	A

**NOTE: UNLESS OTHERWISE SPECIFIED.**  
 1. SEE SHIPPING INSTRUCTIONS FOR FINAL PACKAGING  
 2. ASSEMBLE ITEMS AS SHOWN



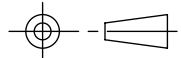
NEXT ASSEMBLY
5245044
5245227

DO NOT SCALE DRAWING	NAME	DATE	1645 LEMONWOOD DR. SANTA PAULA, CA 93060
DIMENSIONS ARE IN MM	DRAWN	TM 08/30/2010	
	CHECKED	CA 02/18/2016	
	THIRD ANGLE PROJECTION		TITLE: XPR-10/10A POWER SIDE POST ASSEMBLY
		SIZE DWG. NO.	REV
<small>PROPRIETARY AND CONFIDENTIAL          THE INFORMATION CONTAINED IN THIS DRAWING IS THE SOLE PROPERTY OF BENDPAK INC. ANY REPRODUCTION IN PART OR AS A WHOLE WITHOUT THE WRITTEN PERMISSION OF BENDPAK INC. IS PROHIBITED.</small>		A 5215388	P
		SCALE: 1:22	SHEET 1 OF 1

REVISION				
REV	DESCRIPTION	DATE	EDITED BY	ECO#
M	UPDATED BOM REVISIONS	11/19/2014	TM	00673
N	UPDATED BOM REVISION	05/14/2015	TM	00689
P	UPDATED TITLE TO REFLECT MARKETING, UPDATED BOM REVISIONS	11/12/2015	TM	00738



ITEM NO	PART NUMBER	DESCRIPTION	QTY	REV
1	5600387	XPR-10 OFF SIDE POST WELDMENT	1	F
2	5575111	XPR-9S/10 SHEAVE ASSEMBLY	1	F
3	5620141	XPR-9/10 CABLE SHEAVE PIN WELDMENT	1	F
4	5575112	GP/PCL/XPR/PL-7000 SAFETY SHEAVE	1	C
5	5565350	GP/PCL/XPR/PL-7000 SAFETY SHEAVE SPACER	1	C
6	5535357	NUT M6 x 1.0 NL	1	-
7	5530756	HHB M6 x 1 x 25	1	-
8	5530030	HHB M6 x 1 x 8	1	-
9	5215387	XPR-10/10A LIFT HEAD ASSEMBLY	1	L
10	5502300	CYLINDER ASSEMBLY Ø2.0 x 69	1	F
11	5701716	XPR LIGHT DUTY CYLINDER STOPPER	1	A

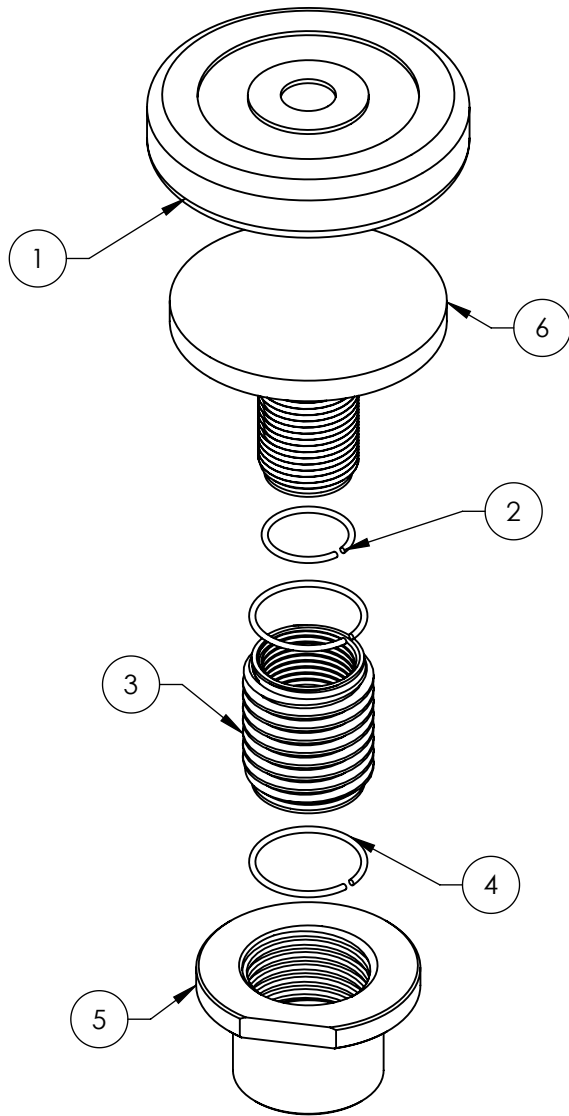
DO NOT SCALE DRAWING	NAME	DATE	 1645 LEMONWOOD DR. SANTA PAULA, CA 93060
DIMENSIONS ARE IN MM  	DRAWN	TM 08/30/2010	
	CHECKED	CA 02/18/2016	
THIRD ANGLE PROJECTION		TITLE: XPR-10/10A OFF SIDE POST ASSEMBLY	
		SIZE DWG. NO. <b>A</b> 5215389	REV P
PROPRIETARY AND CONFIDENTIAL THE INFORMATION CONTAINED IN THIS DRAWING IS THE SOLE PROPERTY OF BENDPAK INC. ANY REPRODUCTION IN PART OR AS A WHOLE WITHOUT THE WRITTEN PERMISSION OF BENDPAK INC. IS PROHIBITED.			SCALE: 1:22 SHEET 1 OF 1

**NOTE: UNLESS OTHERWISE SPECIFIED.**

1. SEE SHIPPING INSTRUCTIONS FOR FINAL PACKAGING
2. ASSEMBLE ITEMS AS SHOWN

NEXT ASSEMBLY
5245044
5245227

REVISION				
REV	DESCRIPTION	DATE	EDITED BY	ECO#
C	UPDATED BOM REVISIONS	02/19/2016	TM	00750
D	UPDATED BOM REVISIONS	8/10/2016	TM	00771
E	UPDATED BOM REVISIONS	08/25/2016	TM	00777



ITEM NO.	PART NUMBER	DESCRIPTION	QTY	REV
1	5715017	ROUND LIFT PAD ADAPTER RUBBER PAD	1	D
2	5540025	S RING Ø35mm	1	--
3	5746692	INNER SCREW	1	B
4	5540026	S RING Ø45mm	2	--
5	5746693	ROUND LIFT PAD SCREW ADAPTOR	1	D
6	5601001	ROUND LIFT PAD ADAPTOR WELDMENT	1	C

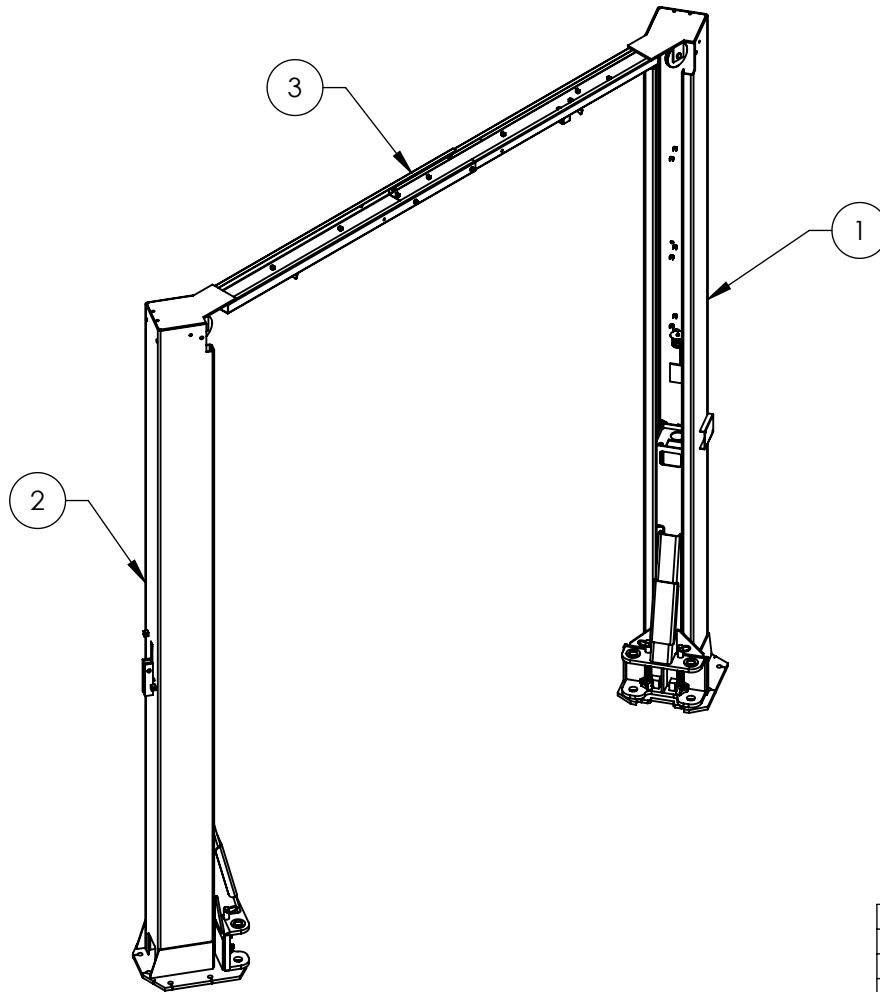
DO NOT SCALE DRAWING		NAME	DATE	1645 LEMONWOOD DR. SANTA PAULA, CA 93060
DRAWN		CHY	06/14/2015	
CHECKED				
DIMENSIONS ARE IN MM 		THIRD ANGLE PROJECTION		TITLE:
				ROUND ADJUSTABLE LIFT PAD ASSEMBLY
		SIZE	DWG. NO.	REV
		A	5215704	E
SCALE: 1:3			SHEET 1 OF 1	

NEXT ASSEMBLY
5250036
5250037
5250038
5250039
5250040
5250048
5250049



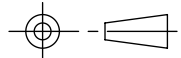
**NOTE: UNLESS OTHERWISE SPECIFIED.**

1. ASSEMBLE ITEMS AS SHOWN

REV	DESCRIPTION	REVISION	DATE	EDITED BY	ECO#
B	UPDATED BOM REVISIONS		11/21/2014	TM	00673
C	UPDATED BOM REVISIONS		05/14/2015	TM	00689
D	UPDATED TITLE TO REFLECT MARKETING, UPDATED BOM REVISIONS AND NEXT ASSEMBLY		11/24/2015	TM	00738



ITEM NO	PART NUMBER	DESCRIPTION	QTY	REV
1	5215388	XPR-10/10A POWER SIDE POST ASSEMBLY	1	P
2	5215389	XPR-10/10A OFF SIDE POST ASSEMBLY	1	P
3	5210211	XPR-10A TOP TROUGH ASSEMBLY	1	B

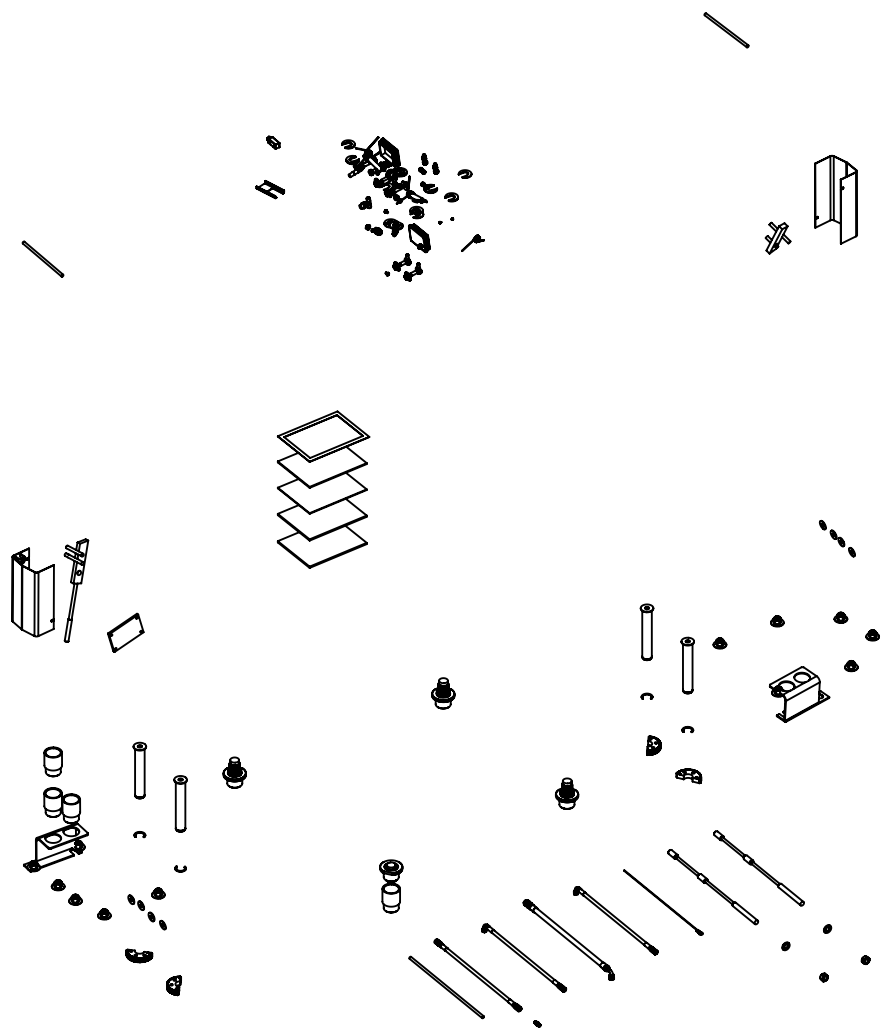
DO NOT SCALE DRAWING		NAME	DATE	 1645 LEMONWOOD DR. SANTA PAULA, CA 93060
DIMENSIONS ARE IN MM 		DRAWN	TM 10/07/2014	
		CHECKED	CA 02/23/2016	
		THIRD ANGLE PROJECTION		TITLE: XPR-10A LIFT SUPERSTRUCTURE
				SIZE DWG. NO. A 5245044
		<small>           PROPRIETARY AND CONFIDENTIAL            THE INFORMATION CONTAINED IN THIS DRAWING IS            THE SOLE PROPERTY OF BENDPAK INC. ANY            REPRODUCTION IN PART OR AS A WHOLE WITHOUT            THE WRITTEN PERMISSION OF BENDPAK INC. IS            PROHIBITED.         </small>		REV D
			SCALE: 1:10	SHEET 1 OF 1

NEXT ASSEMBLY
5260559
5260560
5260561
5260562

**NOTE: UNLESS OTHERWISE SPECIFIED.**

1. SEE SHIPPING INSTRUCTIONS FOR FINAL PACKAGING

REVISION				
REV	DESCRIPTION	DATE	EDITED BY	ECO#
B	UPDATED BOM REVISIONS	03/22/2016	TM	00750
C	REPLACED 5900958 WITH 5900951, UPDATED BOM REVISION	08/08/2016	TM	00771
D	UPDATED BOM REVISION	08/25/2016	TM	00777



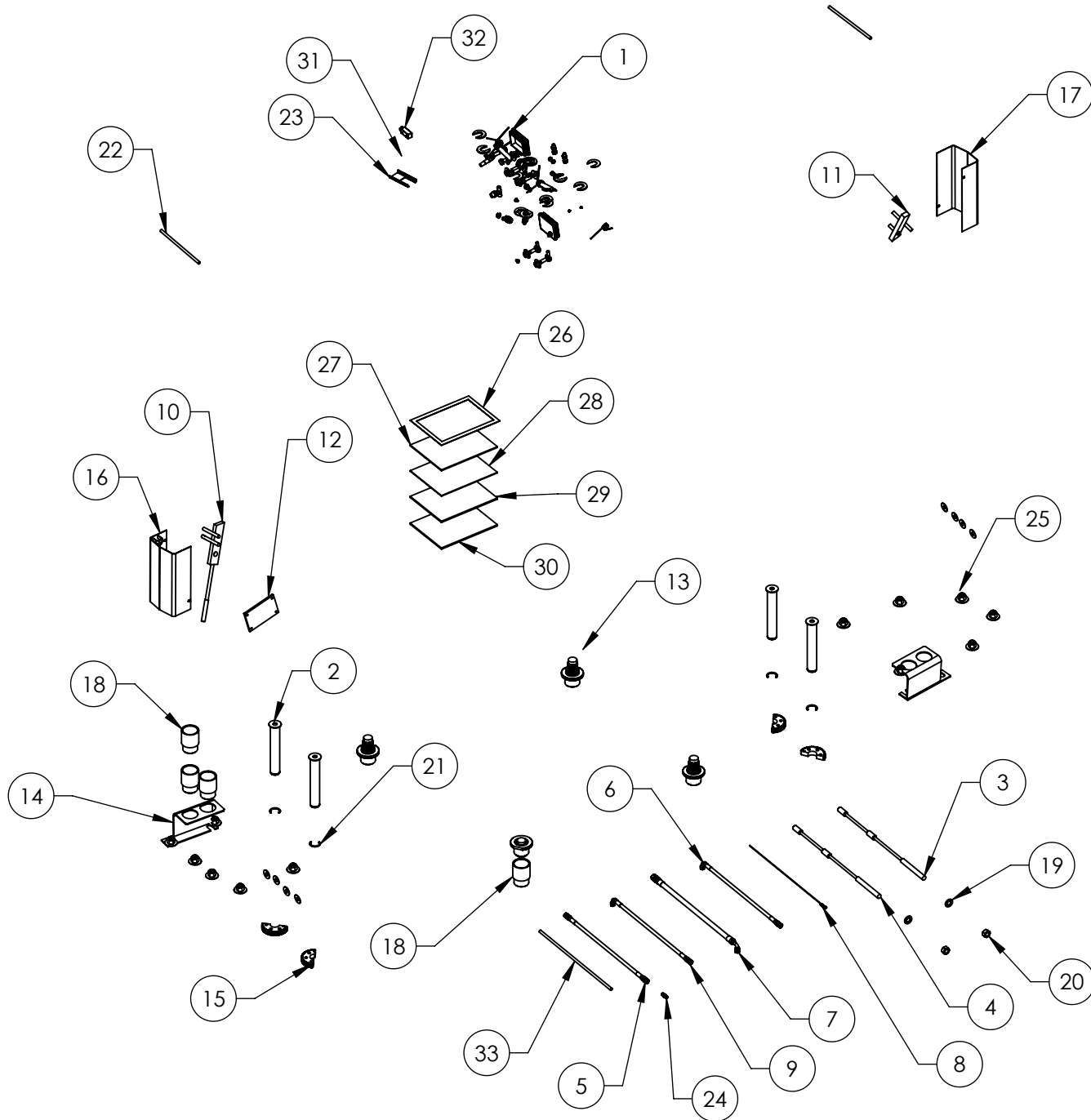
ITEM NO	PART NUMBER	DESCRIPTION	QTY	REV
1	5174218	XPR CLEARFLOOR EXTENDED PARTS BAG	1	J
2	5505116	XPR-9/10 LIFT HEAD PIN WELDMENT	4	D
3	5595837	XPR-10A EXTENDED CABLE ASSY Ø10 x 11219mm DBST	1	B
4	5595923	XPR-10A EXTENDED CABLE ASSY Ø10 x 11335mm DBST	1	B
5	5570065	XPR-10A HYDRAULIC HOSE EXTENSION ASSY Ø6.35 x 203mm Ds	1	C
6	5570832	XPR CLEARFLOOR HYDRAULIC HOSE ASSY Ø6.35 x 2299mm SB	1	E
7	5570017	XPR HYDRAULIC HOSE ASSY Ø10 x 1219mm SB	1	C
8	5595104	XPR-10/10A EXTENDED Ø2.4 X 8839 SAFETY CABLE	1	E
9	5570059	XPR-10A EXTENDED HYDRAULIC HOSE ASSY Ø6.35 x 9308 SB	1	B
10	5210007	XPR POWER SIDE SAFETY ASSEMBLY	1	F
11	5210010	XPR OFF SIDE SAFETY WELDMENT	1	E
12	5715003	POWER UNIT VIBRATION DAMPENER	1	B
13	5215704	ROUND ADJUSTABLE LIFT PAD ASSEMBLY	4	E
14	5601058	XPR-10 SERIES POST ASSEMBLY LIFT HEAD FOOT GUARD	2	A
15	5736604	TWO POST LIGHT DUTY BOLT ON ARM RESTRAINT GEAR	4	E
16	5600163	XPR CLEARFLOOR POWER SIDE SAFETY COVER	1	E
17	5210009	XPR-9D/10/12/12FD/15/18C OFF SIDE SAFETY COVER	1	E
18	5746192	ARM ADAPTER, MEDIUM	4	D
19	5545342	WASHER M18 FLAT	2	--
20	5535358	NUT M18 x 2.5 NL	2	--
21	5540281	C RING Ø38mm OD 5103-150	4	--
22	5746167	DOUBLE THREADED ROD M10 x 1.5 x 275	2	B
23	5716634	XPR MICROSWITCH COVER, PLASTIC	1	A
24	5550095	FTG NPL -04 JIC x -04 JIC	1	--
25	5530307	AB 3/4" x 5"	12	--
26	5905151	SAFETY TIPS CARD ALI-ST 90	1	--
27	5900147	SAFETY MANUAL ALI / SM 93-1	1	--
28	5900152	ALIGN OIM OPERATION INSPECTION & MAINTENANCE	1	--
29	5900280	ALI/LP FRAME ENGAGING LIFTS GUIDE	1	--
30	5900951	XPR-10S SERIES INSTALLATION MANUAL	1	--
31	5525150	SPDT MICRO SWITCH;25A@125VAC	1	--
32	5525112	MICRO SWITCH COVER-5PA2	1	--
33	5520116	14-4 SJO UL 62 CABLE 300vac	4275mm*	--


**NOTE: UNLESS OTHERWISE SPECIFIED.**

1. SEE SHIPPING INSTRUCTIONS FOR FINAL PACKAGING
2. INSERT PARTS BAG INTO PARTS BOX FOR SHIPMENT
3. THREAD 5535358 WITH 5545342 ONTO CABLES FOR SHIPMENT
4. HOSES AND CABLES IN REPRESENTATIONAL FORM
5. FOR 5220116 SPECIFICATIONS REFER TO PART SPECIFICATION FORM (\*)5520116 QTY FOR REFERENCE ONLY

NEXT ASSEMBLY
5260559
5260561

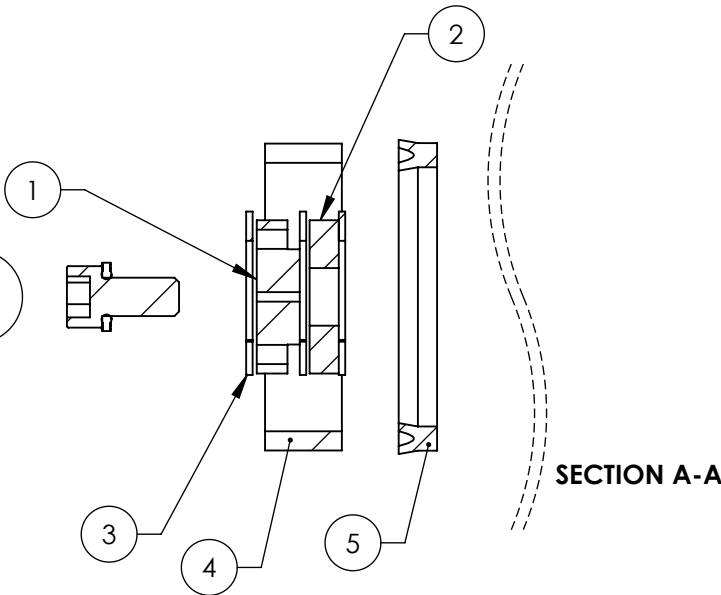
DO NOT SCALE DRAWING	NAME	DATE	1645 LEMONWOOD DR. SANTA PAULA, CA 93060
DIMENSIONS ARE IN MM	DRAWN	TM 12/14/2015	
	CHECKED	DB 09/02/2016	
	THIRD ANGLE PROJECTION		TITLE: XPR-10AS EXTENDED PARTS BOX
			SIZE DWG. NO. A 5250040
<small>PROPRIETARY AND CONFIDENTIAL          THE INFORMATION CONTAINED IN THIS DRAWING IS THE SOLE PROPERTY OF BENDPAK INC. ANY REPRODUCTION IN PART OR AS A WHOLE WITHOUT THE WRITTEN PERMISSION OF BENDPAK INC. IS PROHIBITED.</small>			REV D
SCALE: 1:30			SHEET 1 OF 2



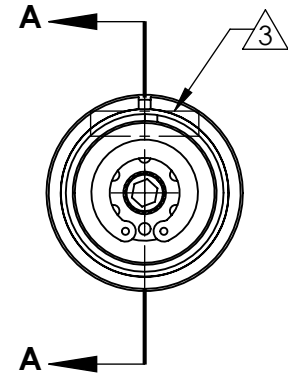
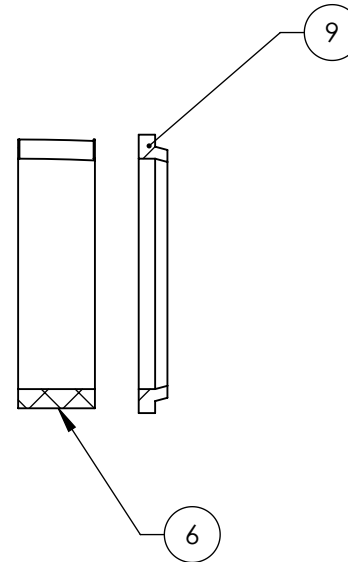
		1645 LEMONWOOD DR. SANTA PAULA, CA 93060	
TITLE: XPR-10AS EXTENDED PARTS BOX			
SIZE	DWG. NO.	REV	
A	5250040	D	
SCALE: 1:25			SHEET 2 OF 2



ISOMETRIC VIEW  
FOR REFERENCE ONLY  
DO NOT SCALE



SECTION A-A



SHEET 1 & 2  
SCALE 2 : 1

REVISION				
REV	DESCRIPTION	DATE	EDITED BY	ECO#
D	UPDATED BOM REVISION	07/10/2012	TM	00534
E	REPLACED SOC SCR .25x20x.5 WITH 5585388 TO REFLECT INVENTORY, UPDATED STAMPED INFORMATION	11/20/2014	TM	00673
F	REPLACED -010 BUNA 70 WITH 5545104, TRU ARC N5000-100 WITH 5540029, CUP SEAL UN 50.8 -42.86 WITH 5560032, WR 50.8 -44.4-12.7POM WITH 5568018, WR 43.1-38.1-12.7 POM WITH 5568019, RECO D-1500 WITH 5562009 ADDED FOR USE WITH TABLE, UPDATED BOM REVISIONS	04/22/2016	TS	00745



ITEM NO.	PART NUMBER	DESCRIPTION	QTY.	REV
1	700210	THROTTLE VALVE Ø1.0	1	A
2	700209	THROTTLE VALVE WASHER Ø1.0	1	A
3	5540029	SNAP RINGS	3	-
4	5568018	WR .125 x 2.00 x .500	1	-
5	5560032	PRU 188 x 1.625 x .250	1	-
6	5568019	WR .125 x 1.750 x .500	1	-
7	5585388	SHCS 1/4-20 x 1/2"	1	-
8	5545104	Ø6mm BONDED SEALING WASHER	1	B
9	5562009	WPR .187 x 1.50	1	A

DETAIL B  
SCALE 2 : 1

**NOTE: UNLESS OTHERWISE SPECIFIED.**

1. GREASE SEALS PRIOR TO ASSEMBLY
2. PRESSURE TEST CYLINDER ASSEMBLY 100% AT 3,600 PSI. (NO LEAKS)
3. MARK IN APPROXIMATE LOCATION WITH THE FOLLOWING INFORMATION: MANUFACTURER MONTH/YEAR PART NUMBER

FOR USE WITH
XPR-9DS
XPR-10S
XPR-10AS
XPR-10S-168
XPR-10AS-LP
XPR-10LP
XPR-10AS-168

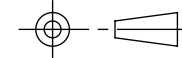
DO NOT SCALE DRAWING

NAME	DATE
DRAWN AC	05/20/2010
CHECKED CA	05/04/2016

DIMENSIONS ARE IN INCHES



THIRD ANGLE PROJECTION



PROPRIETARY AND CONFIDENTIAL  
THE INFORMATION CONTAINED IN THIS DRAWING IS THE SOLE PROPERTY OF BENDPAK INC. ANY REPRODUCTION IN PART OR AS A WHOLE WITHOUT THE WRITTEN PERMISSION OF BENDPAK INC. IS PROHIBITED.

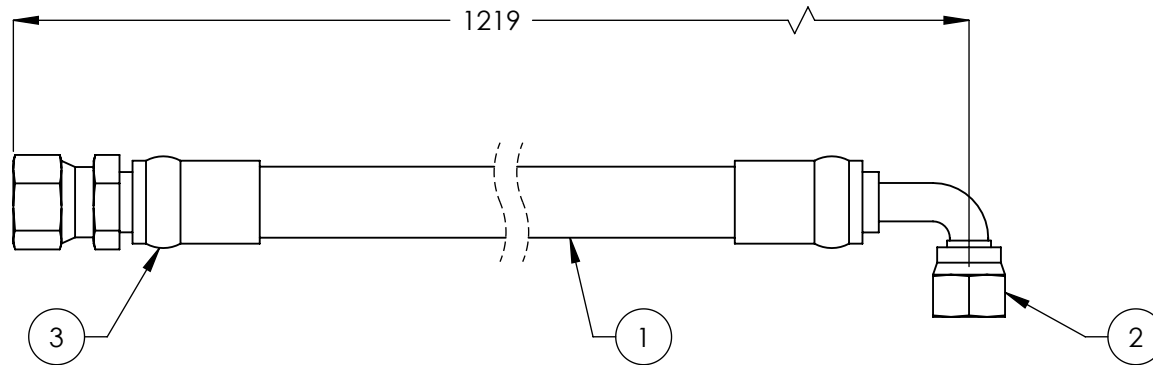
**BendPak** 1645 LEMONWOOD DR.  
SANTA PAULA, CA 93060

TITLE: CYLINDER ASSEMBLY  
Ø2.0 x 69

SIZE	DWG. NO.	REV
A	5502300	F

SCALE: 1:1.25 SHEET 1 OF 2

REVISION				
REV	DESCRIPTION	DATE	EDITED BY	ECO#
A	PRODUCTION RELEASE, DERIVED FROM 800399	08/27/2009	TM	00293
A-001	UPDATED NEXT ASSEMBLY	09/08/2010	TM	00396
A-002	UPDATED NEXT ASSEMBLY	04/18/2011	MT	00454
B	UPDATED TITLE TO REFLECT WHERE USED, UPDATED NEXT ASSEMBLIES	01/12/2012	TM	00490
C	UPDATED TITLE TO REFLECT WHERE USED, UPDATED NEXT ASSEMBLIES	06/21/2013	TM	00605
C-001	UPDATED NEXT ASSEMBLIES	10/16/2014	TM	00663
C-002	UPDATED NEXT ASSEMBLIES	11/24/2015	TM	00738



ITEM NO	PART NUMBER	DESCRIPTION	QTY	REV
1	5570116	Ø10 ID HYDRAULIC HOSE	1144mm*	-
2	5550337	FTG ELB -06 CRIMP x -06 JIC	1	-
3	5550336	FTG NPL -06 CRIMP x -06 JIC	1	-

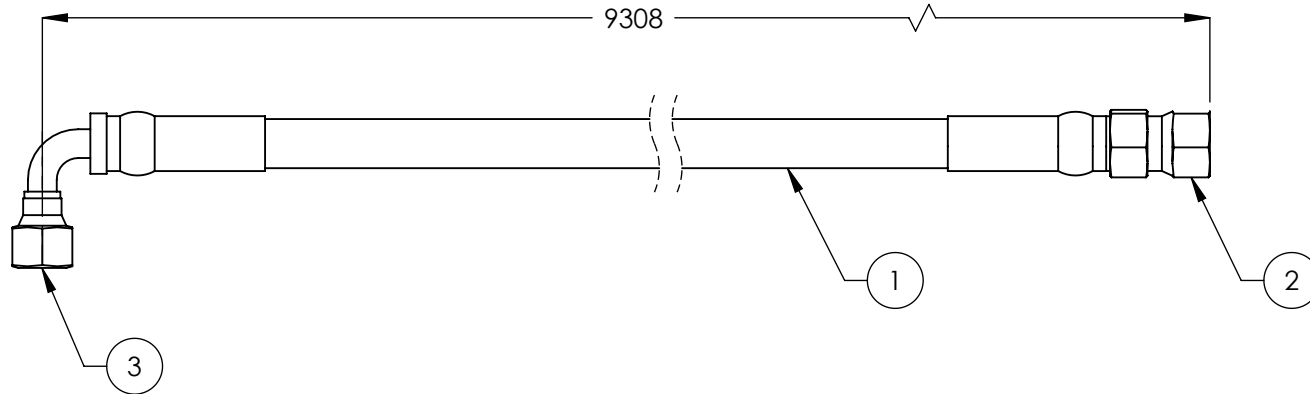
NEXT ASSEMBLY
5250039
5250040
5250041
5250042
5250043
5250044
5250045
5250046
5250047
5250048
5250049

DO NOT SCALE DRAWING		NAME	DATE	1645 LEMONWOOD DR. SANTA PAULA, CA 93060	
DIMENSIONS ARE IN MM TOLERANCES: 0. = ±1.5 0.0 = ±1.0 0.00 = ±0.25 0.000 = ±0.13  ANGULAR: MACH ±2° SURFACE FINISH 1.6 ISO Ra µm FOR MACHINED SURFACES UNLESS OTHERWISE SPECIFIED		DRAWN	TM		08/27/2009
		CHECKED	CA		02/22/2016
THIRD ANGLE PROJECTION			TITLE: XPR HYDRAULIC HOSE ASSY Ø10 x 1219mm SB		
			SIZE DWG. NO.	REV	
PROPRIETARY AND CONFIDENTIAL THE INFORMATION CONTAINED IN THIS DRAWING IS THE SOLE PROPERTY OF BENDPAK INC. ANY REPRODUCTION IN PART OR AS A WHOLE WITHOUT THE WRITTEN PERMISSION OF BENDPAK INC. IS PROHIBITED.			A	C	
			5570017		
			SCALE: 1:2	SHEET 1 OF 1	

**NOTE: UNLESS OTHERWISE SPECIFIED.**

- FOR ITEM 1 SPECIFICATIONS REFER TO PART SPECIFICATION FORM
- (\* )ITEM 1 QTY FOR REFERENCE ONLY

REV	DESCRIPTION	REVISION	DATE	EDITED BY	ECO#
A	PRODUCTION RELEASE, DERIVED FROM 5570005		11/28/2014	TM	00673
B	UPDATED TITLE TO REFLECT MARKETING, UPDATED NEXT ASSEMBLY		11/24/2015	TM	00738



ITEM NO	PART NUMBER	DESCRIPTION	QTY	REV
1	5570129	Ø6.4 ID HYDRAULIC HOSE	9258mm*	--
2	5550325	FTG NPL Ø1/4 CRIMP x -04 JIC	1	--
3	5550345	FTG ELB Ø1/4 CRIMP x -04 JIC	1	--

DO NOT SCALE DRAWING		NAME	DATE	1645 LEMONWOOD DR. SANTA PAULA, CA 93060	
DIMENSIONS ARE IN MM TOLERANCES: 0. = ±1.5 0.0 = ±1.0 0.00 = ±0.25 0.000 = ±0.13  ANGULAR: MACH ±2° SURFACE FINISH 1.6 ISO Ra µm FOR MACHINED SURFACES UNLESS OTHERWISE SPECIFIED		DRAWN	TM		11/28/2014
		CHECKED	CA		02/22/2016
		THIRD ANGLE PROJECTION		TITLE:	
				XPR-10A EXTENDED HYDRAULIC HOSE ASSY Ø6.35 x 9308 SB	
		SIZE	DWG. NO.	REV	
		A	5570059	B	
SCALE: 1:2				SHEET 1 OF 1	

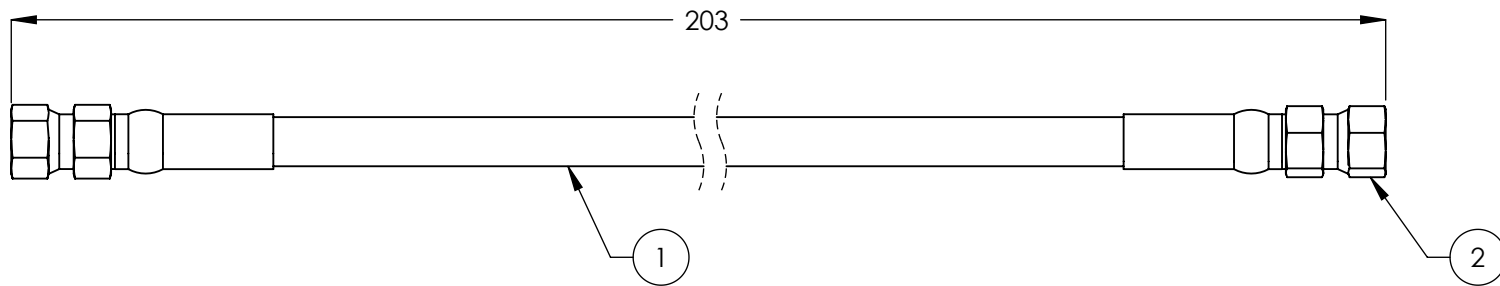
**NOTE: UNLESS OTHERWISE SPECIFIED.**

- FOR ITEM 1 SPECIFICATIONS REFER TO PART SPECIFICATION FORM
- (\*)ITEM 1 QTY FOR REFERENCE ONLY

NEXT ASSEMBLY
5240806
5250040

PROPRIETARY AND CONFIDENTIAL  
 THE INFORMATION CONTAINED IN THIS DRAWING IS  
 THE SOLE PROPERTY OF BENDPAK INC. ANY  
 REPRODUCTION IN PART OR AS A WHOLE WITHOUT  
 THE WRITTEN PERMISSION OF BENDPAK INC. IS  
 PROHIBITED.

REVISION				
REV	DESCRIPTION	DATE	EDITED BY	ECO#
A	PRODUCTION RELEASE, DERIVED FROM 5570176	10/07/2014	TM	00663
B	REPLACED 5570110 WITH 5570129 TO REFLECT INVENTORY	11/21/2014	TM	00673
C	UPDATED TITLE TO REFLECT MARKETING, UPDATED NEXT ASSEMBLIES	11/25/2015	TM	00738



ITEM NO.	PART NUMBER	DESCRIPTION	QTY.	REV
1	5570129	Ø6.4 ID HYDRAULIC HOSE	137mm*	--
2	5550325	FTG NPL Ø1/4 CRIMP x -04 JIC	2	--

DO NOT SCALE DRAWING		NAME	DATE	1645 LEMONWOOD DR. SANTA PAULA, CA 93060
DIMENSIONS ARE IN MM TOLERANCES: 0. = ±1.5 0.0 = ±1.0 0.00 = ±0.25 0.000 = ±0.13  ANGULAR: MACH±2° SURFACE FINISH 1.6 ISO R <sub>a</sub> µm FOR MACHINED SURFACES UNLESS OTHERWISE SPECIFIED		DRAWN	TM 10/07/2014	
		CHECKED	CA 02/22/2016	
		THIRD ANGLE PROJECTION		TITLE: XPR-10A HYDRAULIC HOSE EXTENSION ASSY Ø6.35 x 203mm DS
				SIZE DWG. NO. REV
		PROPRIETARY AND CONFIDENTIAL THE INFORMATION CONTAINED IN THIS DRAWING IS THE SOLE PROPERTY OF BENDPAK INC. ANY REPRODUCTION IN PART OR AS A WHOLE WITHOUT THE WRITTEN PERMISSION OF BENDPAK INC. IS PROHIBITED.		A 5570065 C
		SCALE: 1:2		SHEET 1 OF 1


**NOTE: UNLESS OTHERWISE SPECIFIED.**

- FOR ITEM 1 SPECIFICATIONS REFER TO PART SPECIFICATION FORM
- (\*)ITEM 1 QTY FOR REFERENCE ONLY

NEXT ASSEMBLY
5240806
5250039
5250040

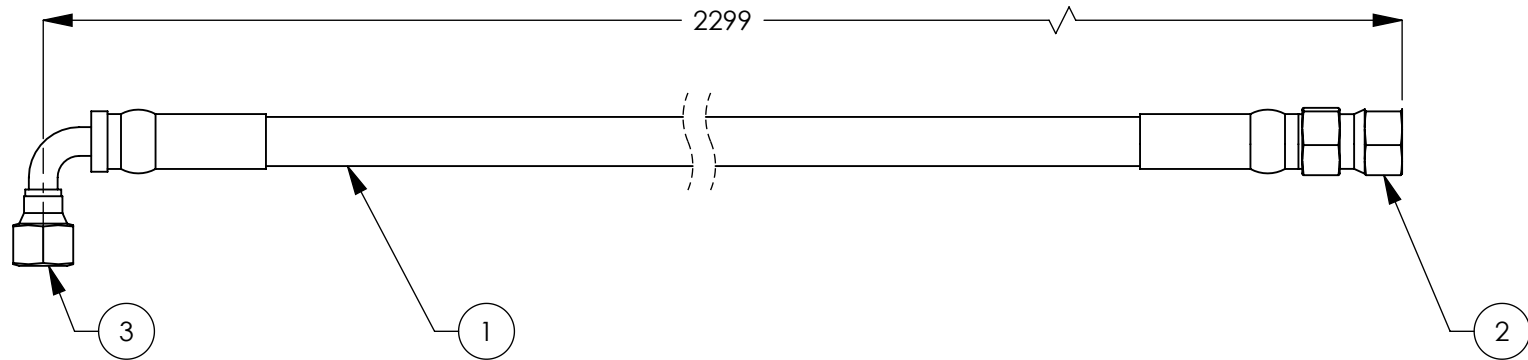
## PART SPECIFICATION FORM

<b>BENDPAK Number:</b>	5570129
<b>MRP Description:</b>	1/4" HYDRAULIC HOSE 31CL-0400X
<b>Date:</b>	11/10/2015
<b>ECO :</b>	00734

1. Engineering Specification	
<b><u>Application:</u></b>	1/4" HYDRAULIC HOSE
<b><u>Detailed Description:</u></b>	
ONE or TWO BRAID STEEL WIRE HYDRAULIC HOSE	
SIZE: 1/4" / 6.3mm I.D. 0.53" / 13.4mm O.D.	
SPECS: 3000PSI OR 207 BAR WORKING PRESSURE 12000PSI OR 827 BAR MINIMUM BURST PRESSURE 2" / 50mm MIN BEND RADIUS	
COLOR: BLACK	

2. Vendor Information			
Approved Vendor	Vendor Part #	Contact #	Preferred Vendor
1) PARKER	387-4	02283962772	
2)			
OR BENDPAK ENGINEERING APPROVED EQUIVALENT			

		REVISION		
REV	DESCRIPTION	DATE	EDITED BY	ECO#
C	UPDATED TITLE TO REFLECT WHERE USED, UPDATED NEXT ASSEMBLIES	02/07/2012	TM	00490
D	UPDATED TITLE TO REFLECT WHERE USED, UPDATED NEXT ASSEMBLIES	06/27/2017	TM	00605
D-001	UPDATED NEXT ASSEMBLIES	10/16/2014	TM	00663
E	REPLACED 5570110 WITH 5570129 TO REFLECT INVENTORY	11/20/2014	TM	00673
E-001	UPDATED NEXT ASSEMBLIES	11/24/2015	TM	00738



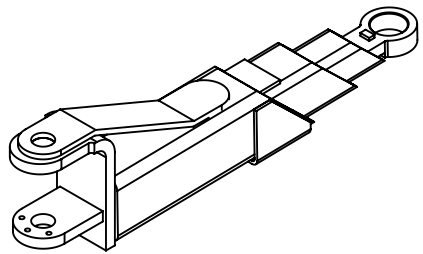
ITEM NO	PART NUMBER	DESCRIPTION	QTY	REV
1	5570129	Ø6.4 ID HYDRAULIC HOSE	2249mm*	--
2	5550325	FTG NPL Ø1/4 CRIMP x -04 JIC	1	--
3	5550345	FTG ELB Ø1/4 CRIMP x -04 JIC	1	--

NEXT ASSEMBLY	DO NOT SCALE DRAWING	NAME	DATE				
5250039	DIMENSIONS ARE IN MM TOLERANCES: 0. = ±1.5 0.0 = ±1.0 0.00 = ±0.25 0.000 = ±0.13  ANGULAR: MACH±2° SURFACE FINISH 1.6 ISO R <sub>a</sub> μm FOR MACHINED SURFACES UNLESS OTHERWISE SPECIFIED	DRAWN	GJ	10/13/2008	1645 LEMONWOOD DR. SANTA PAULA, CA 93060		
5250040		CHECKED	CA	02/22/2016			
5250041		THIRD ANGLE PROJECTION				TITLE: XPR CLEARFLOOR HYDRAULIC HOSE ASSY Ø6.35 x 2299mm SB	
5250042					SIZE	DWG. NO.	REV
5250043					A	5570832	E
5250044		PROPRIETARY AND CONFIDENTIAL THE INFORMATION CONTAINED IN THIS DRAWING IS THE SOLE PROPERTY OF BENDPAK INC. ANY REPRODUCTION IN PART OR AS A WHOLE WITHOUT THE WRITTEN PERMISSION OF BENDPAK INC. IS PROHIBITED.			SCALE: 1:2		SHEET 1 OF 1
5250045							
5250046							
5250047							
5250048							
5250049							

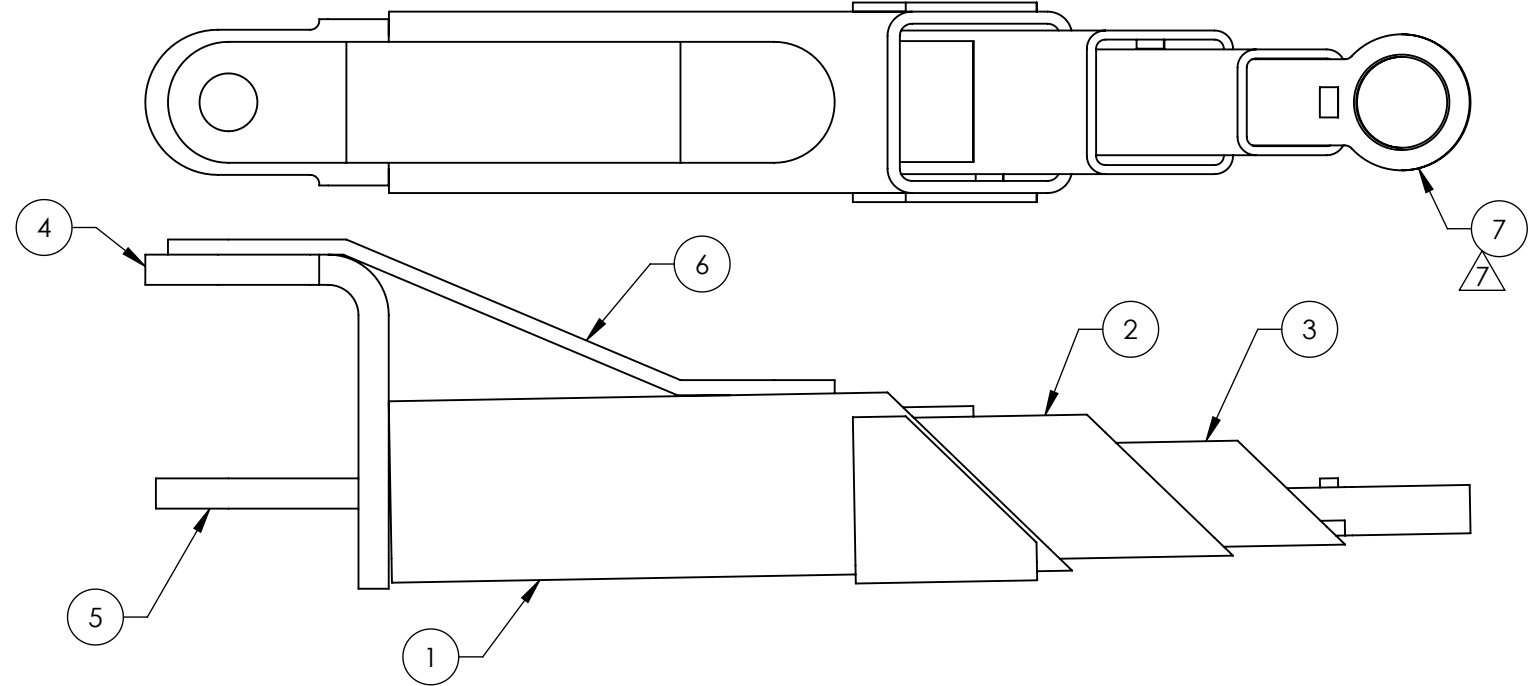
**NOTE: UNLESS OTHERWISE SPECIFIED.**

- FOR ITEM 1 SPECIFICATIONS REFER TO PART SPECIFICATION FORM
- (\*)ITEM 1 QTY FOR REFERENCE ONLY

REVISION				
REV	DESCRIPTION	DATE	EDITED BY	ECO#
A	PRODUCTION RELEASE, DERIVED FROM 5600425	06/22/2015	JM	00708
B	REPLACED (1) 5736905 WITH 5601025	08/11/2015	JM	00718
C	UPDATED TITLE TO REFLECT MARKETING, UPDATED BOM REVISION	03/22/2016	TM	00750



ISOMETRIC VIEW  
FOR REFERENCE ONLY  
DO NOT SCALE



ITEM NO	PART NUMBER	DESCRIPTION	QTY	REV
1	5620366	XPR-10A TRIPLE OUTER SQUARE TUBE WELDMENT (450mm)	1	D
2	5620367	XPR-10A TRIPLE MIDDLE SQUARE TUBE WELDMENT (450mm)	1	D
3	5620324	XPR-10A LOW PROFILE TRIPLE INNER SQUARE TUBE WELDMENT (450mm)	1	A
4	5701153	XPR-9/10 ARM EAR	1	D
5	5701068	XPR-9/10 BOLT ON EAR PLATE	1	E
6	5736286	XPR 9/10 TRIPLE ARM SUPPORT	1	C
7	5601025	ARM ADAPTOR 57mm WIDE WELDMENT	1	B

**NOTE: UNLESS OTHERWISE SPECIFIED.**

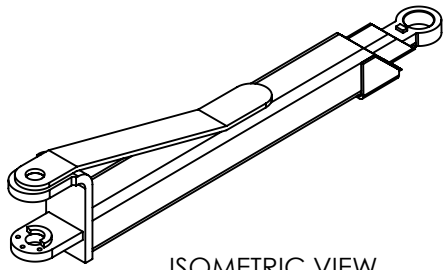
1. BREAK AND DEBURR ALL SHARP EDGES 0.3mm
2. REMOVE ALL WELD SPLATTER
3. MASK ALL THREADED HOLES AND BORES
4. DIMENSIONS SHOWN ARE AFTER PAINTING
5. PAINT BENDPAK YELLOW
6. 5620324 & 5620367 MUST SLIDE FREELY

7. WELD 5601025 TO 5620324 AFTER INSTALLING 5620325 THROUGH 5620367 AS SHOWN.

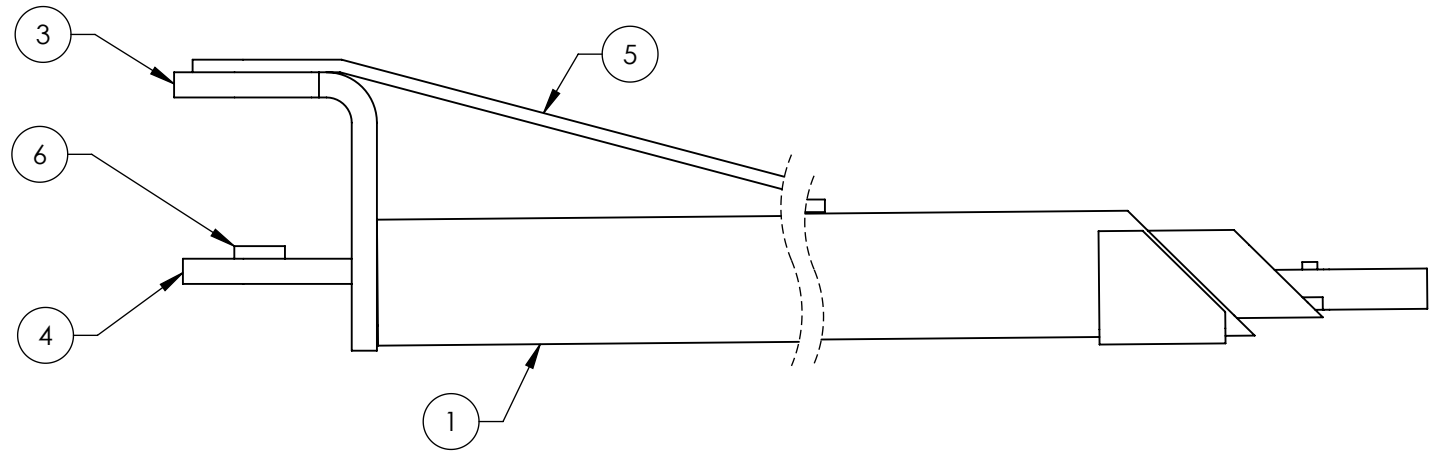
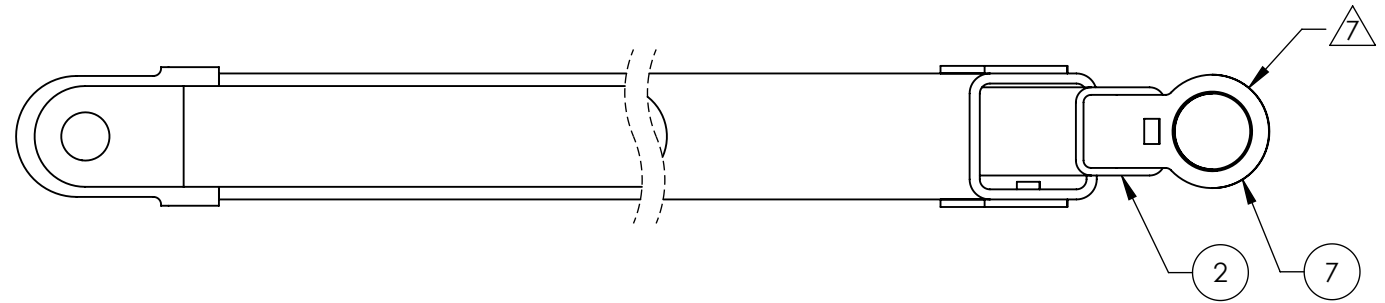
NEXT ASSEMBLY  
5215284

DO NOT SCALE DRAWING	NAME	DATE	1645 LEMONWOOD DR. SANTA PAULA, CA 93060
	DRAWN	JM 06/22/2015	
	CHECKED	CA 04/26/2016	
DIMENSIONS ARE IN MM TOLERANCES: 0. = ±1.5 0.0 = ±0.5  ANGULAR: 0. = ±2°  SURFACE FINISH 1.6 ISO Ra µm FOR MACHINED SURFACES UNLESS OTHERWISE SPECIFIED	THIRD ANGLE PROJECTION 		TITLE: <b>XPR-10AS LOW PROFILE TRIPLE          TELESCOPING ARM WELDMENT</b>
	PROPRIETARY AND CONFIDENTIAL THE INFORMATION CONTAINED IN THIS DRAWING IS THE SOLE PROPERTY OF BENDPAK INC. ANY REPRODUCTION IN PART OR AS A WHOLE WITHOUT THE WRITTEN PERMISSION OF BENDPAK INC. IS PROHIBITED.	SIZE DWG. NO. <b>A 5600994</b>	REV <b>C</b>
SCALE: 1:5			SHEET 1 OF 3

REVISION				
REV	DESCRIPTION	DATE	EDITED BY	ECO#
A	PRODUCTION RELEASE, DERIVED FROM 5600068	06/21/2013	JM	00708
B	REPLACED (1) 5736906 WITH 5601025	08/12/2015	JM	00718
C	UPDATED TITLE TO REFLECT MARKETING, UPDATED BOM REVISION	03/22/2016	TM	00750



ISOMETRIC VIEW  
FOR REFERENCE ONLY  
DO NOT SCALE




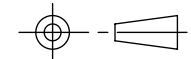
ITEM NO	PART NUMBER	DESCRIPTION	QTY	REV
1	5620354	XPR-10A TWO-STAGE OUTER ARM TUBE WELDMENT (882mm)	1	D
2	5620325	XPR-10A LOW PROFILE INNER ARM WELDMENT (752mm)	1	A
3	5701153	XPR-9/10 ARM EAR	1	D
4	5701068	XPR-9/10 BOLT ON EAR PLATE	1	E
5	5736283	XPR-9/9D/10 EXTRA LONG ARM SUPPORT	1	D
6	5746671	XPR LOW PROFILE GEAR SUPPORT	1	B
7	5601026	ARM ADAPTOR 58mm WIDE WELDMENT	1	B

**NOTE: UNLESS OTHERWISE SPECIFIED.**

1. BREAK AND DEBURR ALL SHARP EDGES 0.3mm
2. REMOVE ALL WELD SPLATTER
3. DIMENSIONS SHOWN ARE AFTER PAINTING
4. PAINT BENDPAK YELLOW
5. MASK ALL THREADED HOLES AND BORES BEFORE PAINTING
6. 5620325 MUST SLIDE FREELY

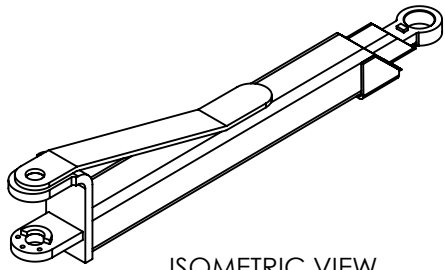
 WELD 5601025 TO 5620325 AFTER INSTALLING 5620325 THROUGH 5620354 AS SHOWN.

NEXT ASSEMBLY  
5215285

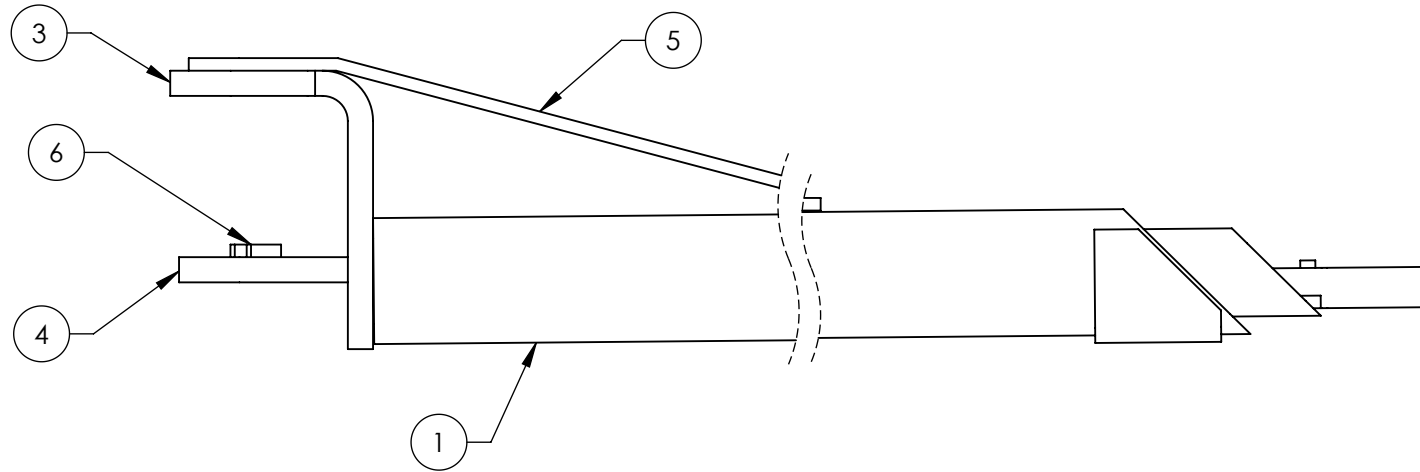
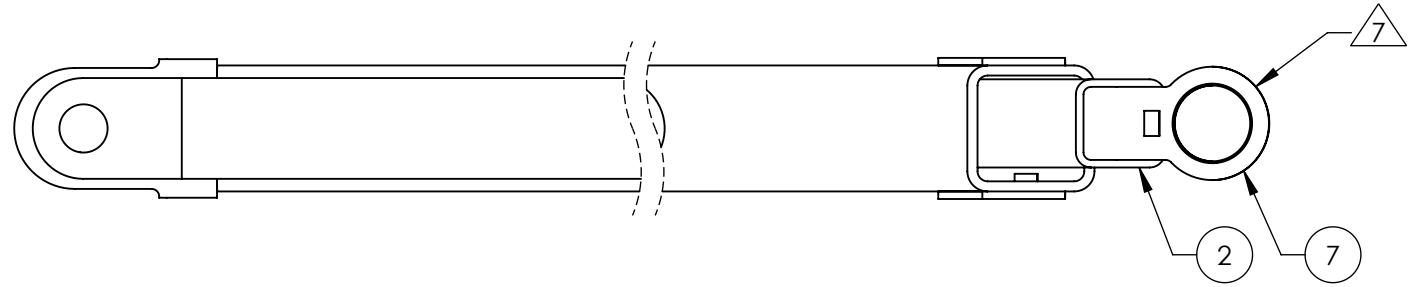
DO NOT SCALE DRAWING	NAME	DATE	 <b>BendPak</b> 1645 LEMONWOOD DR. SANTA PAULA, CA 93060 <small>PROVIDING AUTOMOTIVE SERVICE SOLUTIONS</small>
	DRAWN	JM 06/23/2015	
	CHECKED	CA 04/26/2016	
DIMENSIONS ARE IN MM TOLERANCES: 0. = ±1.5 0.0 = ±0.5 ANGULAR: 0. = ±2° SURFACE FINISH 1.6 ISO R <sub>a</sub> μm FOR MACHINED SURFACES UNLESS OTHERWISE SPECIFIED	THIRD ANGLE PROJECTION		TITLE: XPR-10AS LOW PROFILE LONG ARM WELDMENT, L.H.
			SIZE DWG. NO.
PROPRIETARY AND CONFIDENTIAL THE INFORMATION CONTAINED IN THIS DRAWING IS THE SOLE PROPERTY OF BENDPAK INC. ANY REPRODUCTION IN PART OR AS A WHOLE WITHOUT THE WRITTEN PERMISSION OF BENDPAK INC. IS PROHIBITED.			REV
			A 5600995 C
			SCALE: 1:6 SHEET 1 OF 3



REV	DESCRIPTION	REVISION	DATE	EDITED BY	ECO#
A	PRODUCTION RELEASE, DERIVED FROM 5600842		06/23/2015	JM	00708
B	REPLACED (1) 5736906 WITH 5601026		08/12/2015	JM	00718
C	UPDATED TITLE TO REFLECT MARKETING, UPDATED BOM REVISION		03/22/2016	TM	00750
C-001	UPDATED OVERALL DIMENSION pg 2		06/30/2016	TM	00767



ISOMETRIC VIEW  
FOR REFERENCE ONLY  
DO NOT SCALE



ITEM NO	PART NUMBER	DESCRIPTION	QTY	REV
1	5620354	XPR-10A TWO-STAGE OUTER ARM TUBE WELDMENT (882mm)	1	D
2	5620325	XPR-10A LOW PROFILE INNER ARM WELDMENT (752mm)	1	A
3	5701153	XPR-9/10 ARM EAR	1	D
4	5701068	XPR-9/10 BOLT ON EAR PLATE	1	E
5	5736283	XPR-9/9D/10 EXTRA LONG ARM SUPPORT	1	D
6	5746671	XPR LOW PROFILE GEAR SUPPORT	1	B
7	5601026	ARM ADAPTOR 58mm WIDE WELDMENT	1	B

**NOTE: UNLESS OTHERWISE SPECIFIED.**

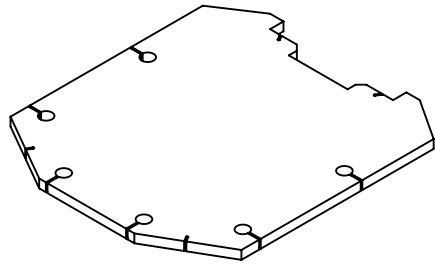
1. BREAK AND DEBURR ALL SHARP EDGES 0.3mm
  2. REMOVE ALL WELD SPLATTER
  3. MASK ALL THREADED HOLES AND BORES
  4. DIMENSIONS SHOWN ARE AFTER PAINTING
  5. PAINT BENDPAK YELLOW
  6. 5620325 MUST SLIDE FREELY
7. WELD 5601026 TO 5620325 AFTER INSTALLING 5620325 THROUGH 5620354 AS SHOWN.

NEXT ASSEMBLY  
5215286

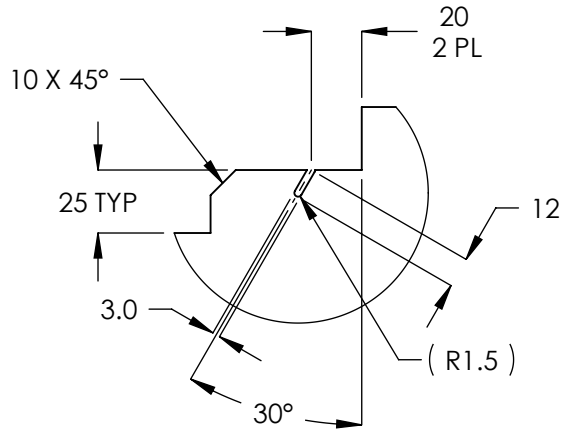
DO NOT SCALE DRAWING	NAME	DATE	<b>BendPak</b> 1645 LEMONWOOD DR. SANTA PAULA, CA 93060
DIMENSIONS ARE IN MM TOLERANCES: 0. = ±1.5 0.0 = ±0.5  ANGULAR: 0. = ±2°  SURFACE FINISH 1.6 ISO Ra µm FOR MACHINED SURFACES UNLESS OTHERWISE SPECIFIED	DRAWN	JM 06/23/2015	
	CHECKED	DB 07/01/2016	
THIRD ANGLE PROJECTION 			TITLE: XPR-10AS LOW PROFILE LONG ARM WELDMENT, R.H.
SIZE DWG. NO.		REV	
<b>A</b> 5600996		<b>C</b>	
SCALE: 1:6			SHEET 1 OF 3

PROPRIETARY AND CONFIDENTIAL  
THE INFORMATION CONTAINED IN THIS DRAWING IS  
THE SOLE PROPERTY OF BENDPAK INC. ANY  
REPRODUCTION IN PART OR AS A WHOLE WITHOUT  
THE WRITTEN PERMISSION OF BENDPAK INC. IS  
PROHIBITED.

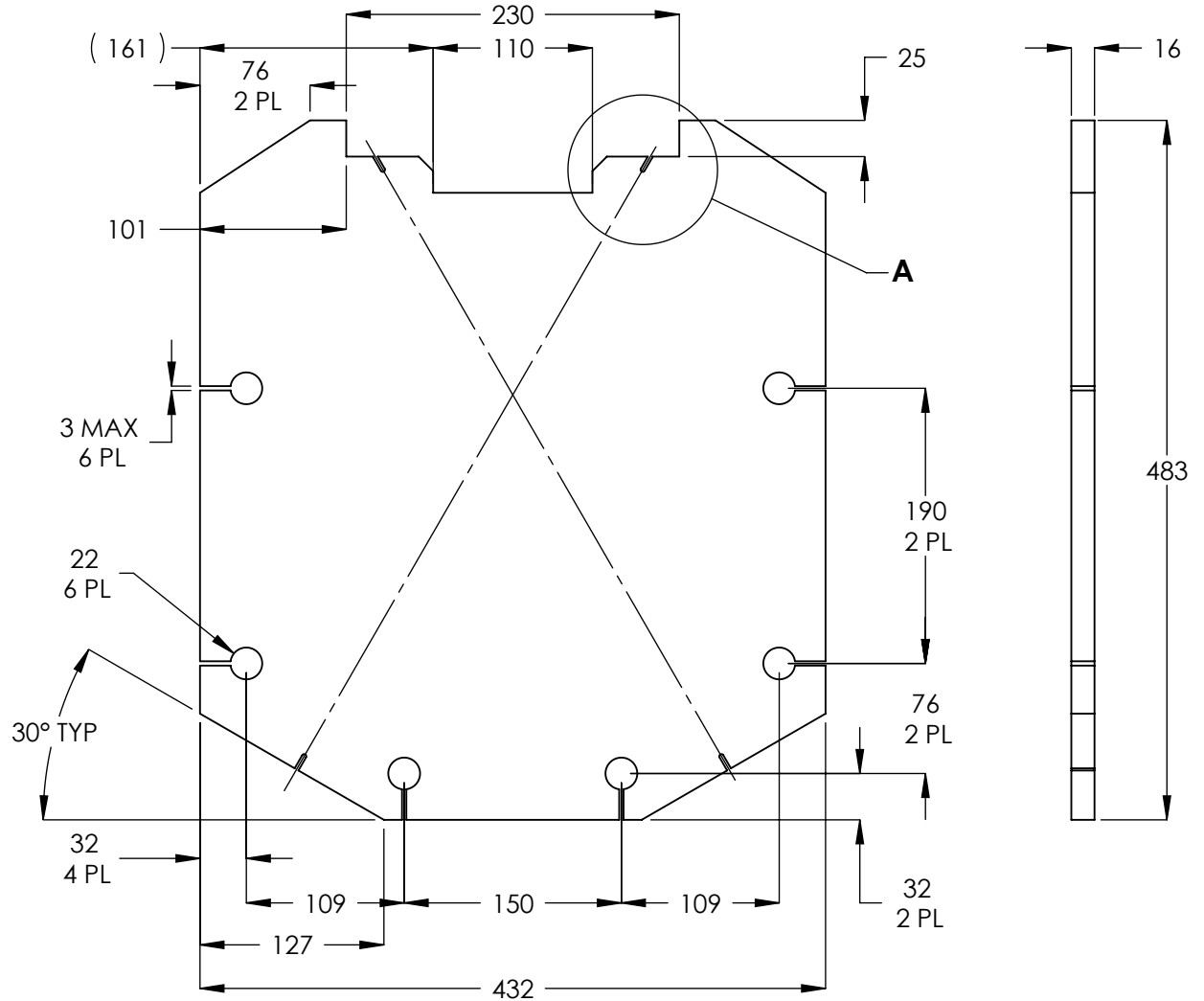
REV	DESCRIPTION	REVISION	DATE	EDITED BY	ECO#
A	PRODUCTION RELEASE, DERIVED FROM 800138		08/19/2009	TM	00293
B	UPDATED TITLE TO REFLECT WHERE USED		06/03/2010	TM	00367
C	UPDATED TITLE TO REFLECT MARKETING		11/23/2015	TM	00738



ISOMETRIC VIEW  
FOR REFERENCE ONLY  
DO NOT SCALE



DETAIL A  
SCALE 1 : 3



**NOTE: UNLESS OTHERWISE SPECIFIED.**

- BREAK AND DEBURR ALL SHARP EDGES 0.3mm
- MATERIAL:** HR ASTM A36 OR Q235 GB/T 700
- FLAME CUT EDGES PERMISSABLE

NEXT ASSEMBLY  
5620352

DO NOT SCALE DRAWING	NAME	DATE	1645 LEMONWOOD DR. SANTA PAULA, CA 93060	
DIMENSIONS ARE IN MM TOLERANCES: MACHINE TO 0 = ±1.5 0.0 = ±0.5 0.00 = ±0.13 ANGULAR: MACHINE TO 0 = ±1/2° SURFACE FINISH 1.6 Ra μm FOR MACHINED SURFACES UNLESS OTHERWISE SPECIFIED	DRAWN	TM		08/19/2009
	CHECKED	CA		02/08/2016
THIRD ANGLE PROJECTION 			TITLE:	
			XPR-10 BASE PLATE	
		SIZE	DWG. NO.	REV
		A	5736296	C
			SCALE: 1:5	SHEET 1 OF 1

## PART SPECIFICATION FORM

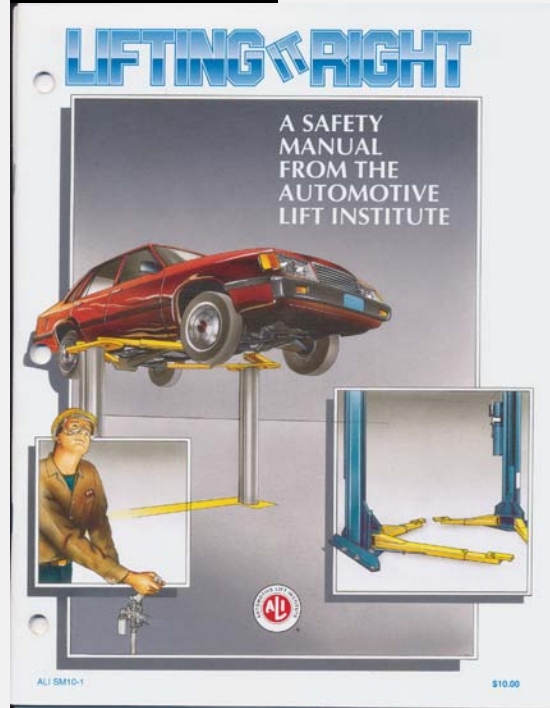
<b>BENDPAK Number:</b>	5900147
<b>MRP Description:</b>	SAFETY MANUAL ALI / SM 93-1
<b>Date:</b>	12/28/2010
<b>ECO :</b>	00431

### 1. Engineering Specification

**Application:**

ALI SAFETY MANUAL

**Detailed Description:**



### 2. Vendor Information

Approved Vendor	Vendor Part #	Contact #	Preferred Vendor
1)			

## PART SPECIFICATION FORM

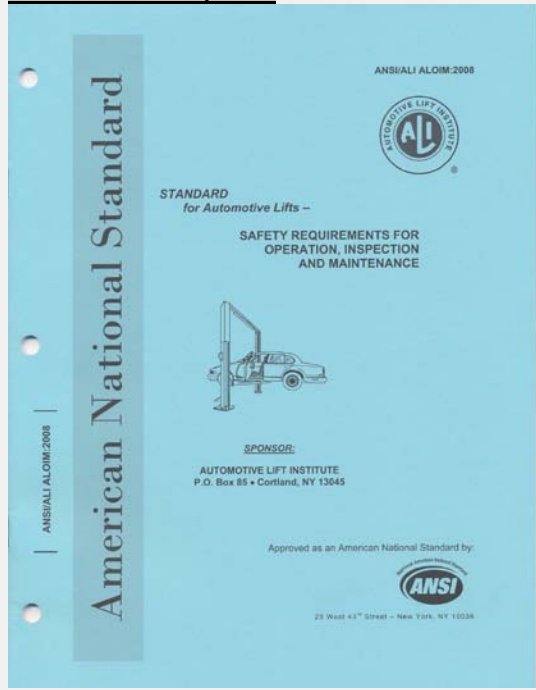
<b>BENDPAK Number:</b>	5900152
<b>MRP Description:</b>	ALIGN OIM OPERATION INSPECTION & MAINTENANCE
<b>Date:</b>	12/28/2010
<b>ECO :</b>	00431

### 1. Engineering Specification

**Application:**

ALI OPERATION INSPECTION & MAINTENANCE MANUAL

**Detailed Description:**



### 2. Vendor Information

Approved Vendor	Vendor Part #	Contact #	Preferred Vendor
1)			

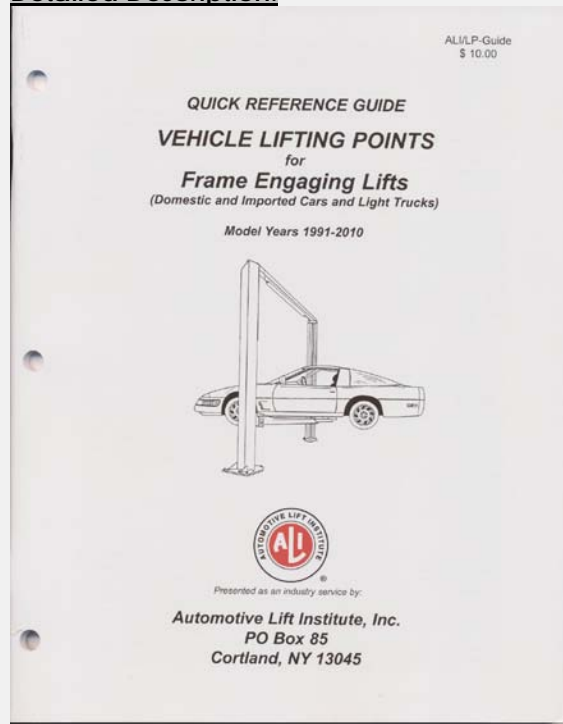
## PART SPECIFICATION FORM

<b>BENDPAK Number:</b>	5900280
<b>MRP Description:</b>	ALI/LP FRAME ENGAGING LIFTS GUIDE
<b>Date:</b>	12/28/2010
<b>ECO :</b>	00431

### 1. Engineering Specification

**Application:**  
 ALI LIFTING GUIDE

**Detailed Description:**



### 2. Vendor Information

Approved Vendor	Vendor Part #	Contact #	Preferred Vendor
1)			

## PART SPECIFICATION FORM

<b>BENDPAK Number:</b>	5900951
<b>MRP Description:</b>	XPR-10S SERIES INSTALLATION MANUAL
<b>Date:</b>	09/08/2016
<b>ECO :</b>	000776 PRE A

### 1. Engineering Specification

**Application:**

INSTALLATION MANUAL

**Detailed Description:**

**WARNING**

**EUROPEAN USERS**

400V 50Hz SUPPLY DETAILS ARE INCLUDED WITH ELECTRICAL CONTROL BOX. DISREGARD SUPPLY WIRING DETAILS IN THIS MANUAL.

**IMPORTANT SAFETY INSTRUCTIONS**  
SAVE THESE INSTRUCTIONS

PLEASE READ THE ENTIRE CONTENTS OF THIS MANUAL PRIOR TO INSTALLATION AND OPERATION. BY PROCEEDING WITH LIFT INSTALLATION AND OPERATION YOU AGREE THAT YOU FULLY UNDERSTAND THE FULL CONTENTS OF THIS MANUAL. FORWARD THIS MANUAL TO ALL OPERATORS. FAILURE TO OPERATE THIS EQUIPMENT AS DIRECTED MAY CAUSE INJURY OR DEATH.

MAN REV A 09-08-2016  
PIN 5900951


---

**INSTALLATION AND OPERATION MANUAL**

**10,000 LB /4536 KG CAPACITY  
SURFACE MOUNTED TWO-POST LIFTS**


**MODELS:**

XPR-10S  
 XPR-10S-LP  
 XPR-10S-168  
 XPR-10S-168-LP  
 XPR-10TS  
 XPR-10TS-168  
 XPR-10AS  
 XPR-10AS-LP  
 XPR-10AS-168  
 XPR-10AS-168-LP



Symmetrical model shown.

**READ FIRST**



Do not operate this machine until you read, understand and follow the manual.

**CE**

ORIGINAL INSTRUCTIONS IN ENGLISH LANGUAGE


Keep this operation manual near the machine at all times. Make sure that ALL USERS read this manual.

**RECEIVING**

The shipment should be thoroughly inspected as soon as it is received. The signed Bill of Lading is acknowledgement by the shipping carrier as receipt of this product as listed in your invoice as being in a good condition of shipment. If any of these goods listed on this Bill of Lading are missing or damaged, do not accept goods until the shipping carrier makes a notation on the freight bill of the missing or damaged goods. Do this for your own protection.

**BE SAFE**

Your new lift was designed and built with safety in mind. However, your overall safety can be increased with proper training and thoughtful operation on the part of the operator. DO NOT operate or repair this equipment without reading this manual and the important safety instructions shown inside. Keep this operation manual near the lift at all times. Make sure that ALL USERS read and understand this manual.



1645 Lemonwood Dr.  
 Santa Paula, CA. 93060 USA  
 Toll Free 1-800-253-2363  
 Tel: 1-805-933-9970  
 Fax: 1-805-933-9160  
[www.bendpak.com](http://www.bendpak.com)

### 2. Vendor Information

Approved Vendor	Vendor Part #	Contact #	Preferred Vendor
1)			

## PART SPECIFICATION FORM

<b>BENDPAK Number:</b>	5905109
<b>MRP Description:</b>	WARNING ALI/WL 101
<b>Date:</b>	06/18/2013
<b>ECO :</b>	00605

### 1. Engineering Specification

**Application:**

ALI 2 POST SAFETY STICKER KIT

**Detailed Description:**

SIZE: 14" L x 8.5" W (356mm x 216mm)



**Automotive Lift Institute, Inc**  
**WL 101 Series**  
**Label Kit**



### 2. Vendor Information

Approved Vendor	Vendor Part #	Contact #	Preferred Vendor
1)			

## PART SPECIFICATION FORM

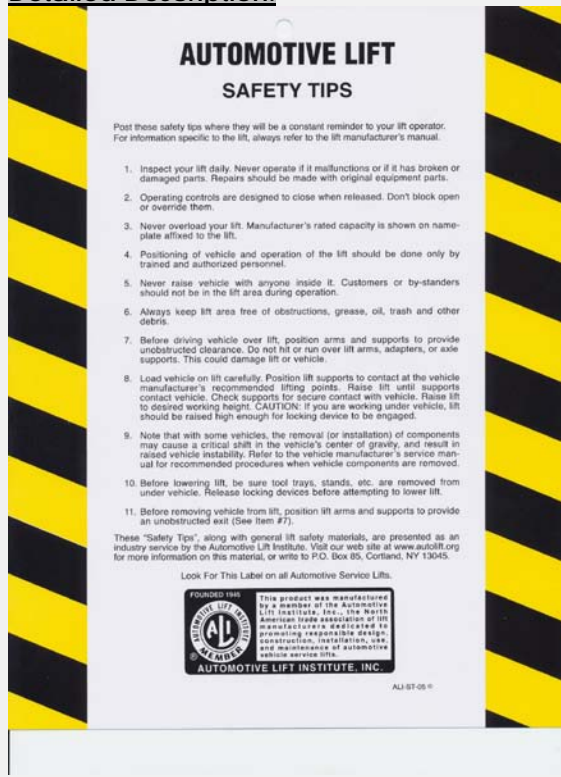
<b>BENDPAK Number:</b>	5905151
<b>MRP Description:</b>	SAFETY TIPS CARD ALI-ST 90
<b>Date:</b>	12/28/2010
<b>ECO :</b>	00431

### 1. Engineering Specification

**Application:**

ALI SAFETY TIPS

**Detailed Description:**



### 2. Vendor Information

Approved Vendor	Vendor Part #	Contact #	Preferred Vendor
1)			



## PART SPECIFICATION FORM

<b>BENDPAK Number:</b>	5905177
<b>MRP Description:</b>	TO PROLONG LIFT OF TWO
<b>Date:</b>	06/18/2013
<b>ECO :</b>	00605

### 1. Engineering Specification

**Application:**

RED CYLINDER WARNING

**Detailed Description:**

SIZE: 3" L x 1.75" W (76mm x 44mm)

**PLEASE READ**

Internal packing oil may cause the cylinders to bleed oil during start up. This is normal. To extend cylinder and seal life, raise the lift to full height at least once every day.

### 2. Vendor Information

Approved Vendor	Vendor Part #	Contact #	Preferred Vendor
1)			

## PART SPECIFICATION FORM

<b>BENDPAK Number:</b>	5905311
<b>MRP Description:</b>	BENDPAK LABEL; 4 x 38" WHITE INK
<b>Date:</b>	05/13/2015
<b>ECO :</b>	00689

### 1. Engineering Specification

**Application:**

BENDPAK LABEL

**Detailed Description:**



SIZE: 38" L x 4.25" W (965mm x 108mm)

- Material: Yellow Represents Clear Adhesive PET
- Size: 4.25"W x 38"H
- Thickness: 4 Mil
- Finish: Polished
- Ink: U.V. protected, Opaque White
- Print Process: Silk Screen, 85 line-screen (Opaque White ink, clear adhesive PET will fill in blank areas.)
- Lamination: Clear-gloss over-laminate for abrasion, chemical, and ultra violet protection

### 2. Vendor Information

Approved Vendor	Vendor Part #	Contact #	Preferred Vendor
1)			

## PART SPECIFICATION FORM

BENDPAK Number:	5905403
MRP Description:	MAX CAP DANGER 10K
Date:	06/21/2013
ECO :	00605

### 1. Engineering Specification

**Application:**

LIFT CAPACITY STICKER

**Detailed Description:**



SIZE: 3.25" L x 4.5" W (82mm x 114mm)

P/N 5905403

### 2. Vendor Information

Approved Vendor	Vendor Part #	Contact #	Preferred Vendor
1)			

## PART SPECIFICATION FORM

<b>BENDPAK Number:</b>	5905465
<b>MRP Description:</b>	MANUFACTURER LABEL
<b>Date:</b>	05/07/2013
<b>ECO :</b>	00593

### 1. Engineering Specification

**Application:**

MANUFACTURER LABEL

**Detailed Description:**

MFD. BY BENDPAK INC.

LIFT TYPE: SURFACE MOUNT      CAPACITY: MED/HVY DTY  
 POWER: ELECTRIC/HYDRAULIC      ANCHORS: AS EQUIPPED  
 INSTALLATION - SEE OWNERS GUIDE OR CONTACT FACTORY

SIZE: 5.125" L x 5.125" W (130mm x 130mm)

**SHIPPING DAMAGE CLAIMS**

WHEN THIS EQUIPMENT IS SHIPPED, TITLE PASSES TO THE PURCHASER UPON RECEIPT FROM THE CARRIER. CONSEQUENTLY, CLAIMS FOR THE MATERIAL DAMAGED IN SHIPMENT MUST BE MADE BY THE PURCHASER AGAINST THE TRANSPORTATION COMPANY AT THE TIME SHIPMENT IS RECEIVED.

PLEASE READ ALL OPERATORS/USERS MANUAL(S) PRIOR TO INSTALLATION AND OPERATION. UNDERSTAND AND COMPREHEND THE FULL CONTENTS OF EACH MANUAL(S) PRIOR TO INSTALLATION AND OPERATION. DELIVER THE MANUAL(S) TO ALL OPERATORS. FAILURE TO OPERATE THIS EQUIPMENT AS DIRECTED MAY CAUSE INJURY OR DEATH.

**IMPORTANT NOTE:**

BENDPAK LIFTS ARE SUPPLIED WITH CONCRETE FASTENERS MEETING THE CRITERIA AS PRESCRIBED BY ASTM E488 - 96(2003). LIFT BUYERS ARE RESPONSIBLE FOR ANY SPECIAL REGIONAL STRUCTURAL AND/OR SEISMIC ANCHORING REQUIREMENTS SPECIFIED BY ANY OTHER AGENCIES AND/OR CODES SUCH AS THE UNIFORM BUILDING CODE (UBC) AND/OR INTERNATIONAL BUILDING CODE (IBC).



INTERNAL BAR CODE - FOR FACTORY AUDIT ONLY 34086

BPK	STYOT	P20KVR	X18576	HVY DTY/ GVR 832
-----	-------	--------	--------	---------------------

THE MANUFACTURE, USE, SALE OR IMPORT OF THIS PRODUCT MAY BE SUBJECT TO ONE OR MORE UNITED STATES PATENTS, OR PENDING APPLICATIONS, OWNED BY BENDPAK, INC.

ENGINEERED BY BENDPAK INC USA

MADE IN CHINA

### 2. Vendor Information

Approved Vendor	Vendor Part #	Contact #	Preferred Vendor
1)			

## PART SPECIFICATION FORM

<b>BENDPAK Number:</b>	5905555
<b>MRP Description:</b>	2-POST SAFETY DECAL
<b>Date:</b>	06/18/2013
<b>ECO :</b>	00605

### 1. Engineering Specification

**Application:**

2-POST SAFETY DECAL

**Detailed Description:**



SIZE: 28.5" L x 4" W (724m x 100mm)

### 2. Vendor Information

Approved Vendor	Vendor Part #	Contact #	Preferred Vendor
1)			

## PART SPECIFICATION FORM

<b>BENDPAK Number:</b>	5905940
<b>MRP Description:</b>	PRODUCT DATA LABEL
<b>Date:</b>	05/06/2013
<b>ECO :</b>	00593

### 1. Engineering Specification

**Application:**

PRODUCT DATA LABEL

**Detailed Description:**

	SANTA PAULA, CA USA WWW.BENDPAK.COM
<b>LIFT TYPE: SURFACE MOUNT CAP: MED/HVY DTY MFG. BPK SEE DATA PLATE FOR PRODUCT DETAILS</b>	
<b>POWER: ELECTRIC/HYDRAULIC INSTALLATION - SEE OWNERS GUIDE OR CONTACT FACTORY</b>	
<p><small>SAFETY INSTRUCTIONS: IF ATTACHMENTS, ACCESSORIES OR CONFIGURATION MODIFYING COMPONENTS THAT ARE LOCATED IN THE LOAD PATH, AFFECT OPERATION OF THE LIFT, AFFECT THE LIFT ELECTRICAL LISTING OR AFFECT INTENDED VEHICLE ACCOMMODATION ARE USED ON THIS LIFT AND, IF THEY ARE NOT CERTIFIED FOR USE ON THIS LIFT, THEN THE CERTIFICATION OF THIS LIFT SHALL BECOME NULL AND VOID. CONTACT THE PARTICIPANT FOR INFORMATION PERTAINING TO CERTIFIED ATTACHMENTS, ACCESSORIES OR CONFIGURATION MODIFYING COMPONENTS.</small></p> <p><small>BENDPAK LIFTS ARE SUPPLIED WITH CONCRETE FASTENERS MEETING THE CRITERIA AS PRESCRIBED BY ASTM E488 - 96(2003). LIFT BUYERS ARE RESPONSIBLE FOR ANY SPECIAL REGIONAL STRUCTURAL AND/OR SEISMIC ANCHORING REQUIREMENTS SPECIFIED BY ANY OTHER AGENCIES AND/OR CODES SUCH AS THE UNIFORM BUILDING CODE (UBC) AND/OR INTERNATIONAL BUILDING CODE (IBC).</small></p> <p><small>THE MANUFACTURE, USE, SALE OR IMPORT OF THIS PRODUCT MAY BE SUBJECT TO ONE OR MORE UNITED STATES PATENTS, OR PENDING APPLICATIONS, OWNED BY BENDPAK, INC.</small></p> <p><small>DO NOT REMOVE                      ENGINEERED BY BENDPAK INC. USA                      MADE IN CHINA</small></p>	

SIZE: 2.3" L x 4.5" W (58mm x 114mm)

### 2. Vendor Information

Approved Vendor	Vendor Part #	Contact #	Preferred Vendor
1)			

## PART SPECIFICATION FORM

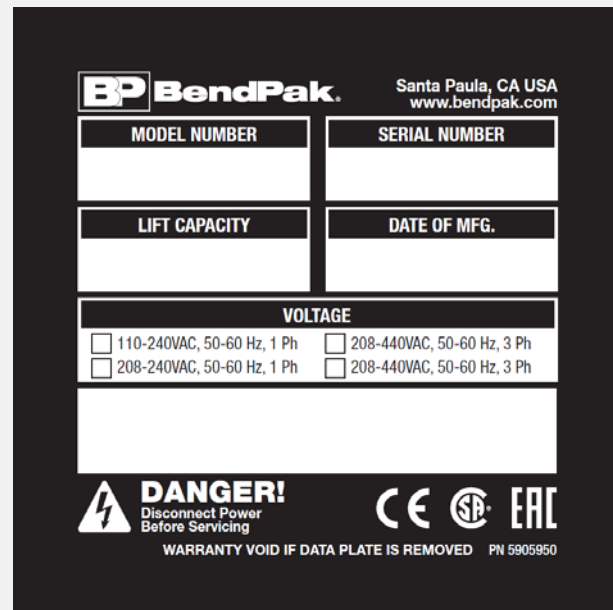
<b>BENDPAK Number:</b>	5905950
<b>MRP Description:</b>	2015_SERIAL_TAG-A-5905950
<b>Date:</b>	11/06/2015
<b>ECO :</b>	00738

### 1. Engineering Specification

**Application:**

DATA SERIAL TAG 2 POST CE

**Detailed Description:**



SIZE: 3.48" L x 3.50" W  
(88.4mm x 88.9mm)

### 2. Vendor Information (Or for Reference)

Approved Vendor	Vendor Part #	Contact #	Preferred Vendor
1)			
2)			
OR BENDPAK ENGINEERING APPROVED EQUIVALENT			