

**Chassis**

**060 Engine Trim**

AIR INTAKE

CAT 3126

*With: FEATURE 40187*

1

CUMMINS 5.9 ISB

*With: FEATURE 40177*

2

CUMMINS ISB-E

RIGHT HAND DRIVE, UK

*With: FEATURE 40177-04, 40361-01*

3

CUMMINS ISC

*With: FEATURE 40184*

4

JOHN DEERE 6.8

*With: FEATURE 40182*

5

JOHN DEERE 8.1

*With: FEATURE 40181*

6

*With: FEATURE 40181*

7

ALTERNATOR

130/160 AMP

*With: FEATURE 40132-01, -02, 40133-01, -02, -03  
To CSN A3FE30039909; A3RE10039979*

8

160 AMP

DELCO

*With: FEATURE 40132-02*

9

LEECE-NEVILLE

*With: FEATURE 40133-02*

10

160 AMP, 270 AMP

LEECE-NEVILLE

*With: FEATURE 40133-03,-05; 40134-04*

11

CAT 3126B, 3126E

*With: FEATURE 40187-01, -02, -03, -04, -05, -06, -07*

12

CAT C7

*With: FEATURE 40187-09, -10, -11, -12, -13  
To CSN F10181004* 13

---

*With: FEATURE 40187-09, -10, -11, -12, -13  
From CSN F10181005 (11-01-04)  
To CSN F10186269 (01/09/05)* 14

---

*With: FEATURE 40187-09, -10, -11, -12, -13  
From CSN F10186270 (01/10/05)* 15

---

CUMMINS ISB

*With: FEATURE 40177* 16

---

CUMMINS ISB-E

*With: FEATURE 40177-04 WITH 40361-01* 17

---

CUMMINS ISC

*With: FEATURE 40184-01 THRU -06 WITH 40422-01,-02 OR 40426-01,-02* 18

---

CUMMINS ISC (EXPORT)

*With: FEATURE 40184* 19

---

CUMMINS ISC03

*With: FEATURE 40184 WITH 40134 OR 40280-10  
To CSN 10181430 (10-31-04)* 20

---

CUMMINS ISC03, 05  
GRID HEATER 21

---

CUMMINS ISC03, ISC05

*With: FEATURE 40184 WITH 40133 OR 40134  
From CSN 10181431 (11/01/04)* 22

---

JOHN DEERE 6.8

*With: FEATURE 40182* 23

---

JOHN DEERE 8.1

*With: FEATURE 40181* 24

---

MANIFOLD ASSY, OIL PRESSURE  
CAT C7

*With: FEATURE 40187  
To CSN F10181004*

---

25

CUMMINS ISC

*With: FEATURE 40187  
To CSN F10043409*

---

26

*With: FEATURE 40184  
From CSN F10043410  
To CSN F10181004*

---

27

*With: FEATURE 40184  
From CSN F10181005*

---

28

JOHN DEERE 8.1

*With: FEATURE 40181-03  
To CSN F10181004*

---

29

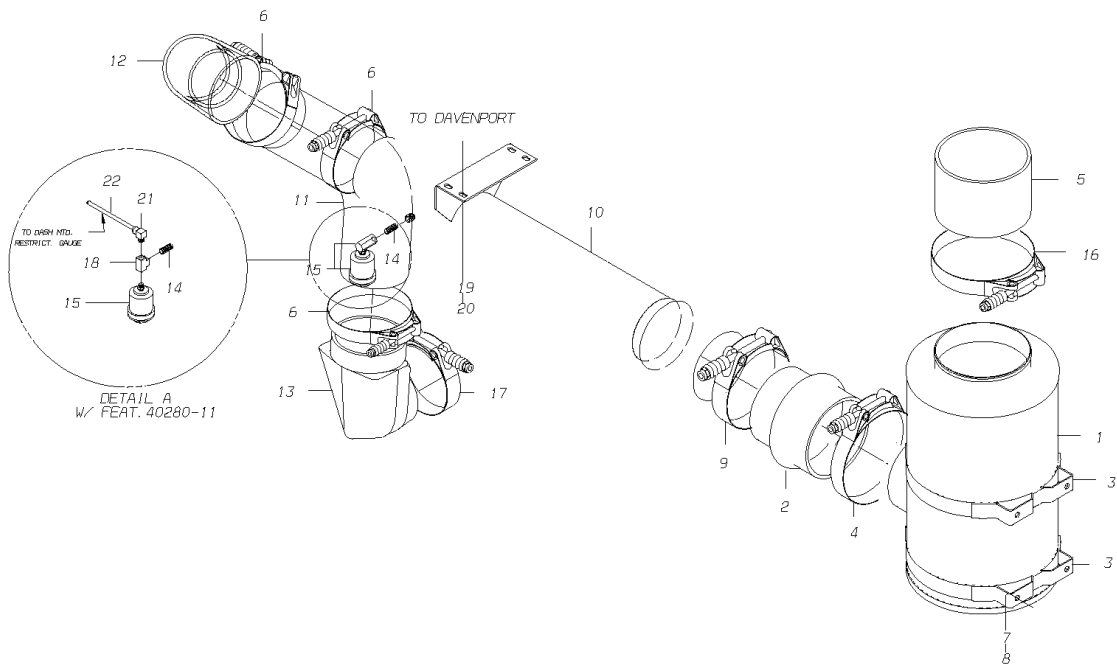
*With: FEATURE 40181-03  
From CSN F10181005*

---

30

**Models:** A3RE, C4RE  
**AIR INTAKE**  
**CAT 3126**  
**With Features:** FEATURE 40187

Key	PartNumber	Qty	Description	Comment
-----	------------	-----	-------------	---------

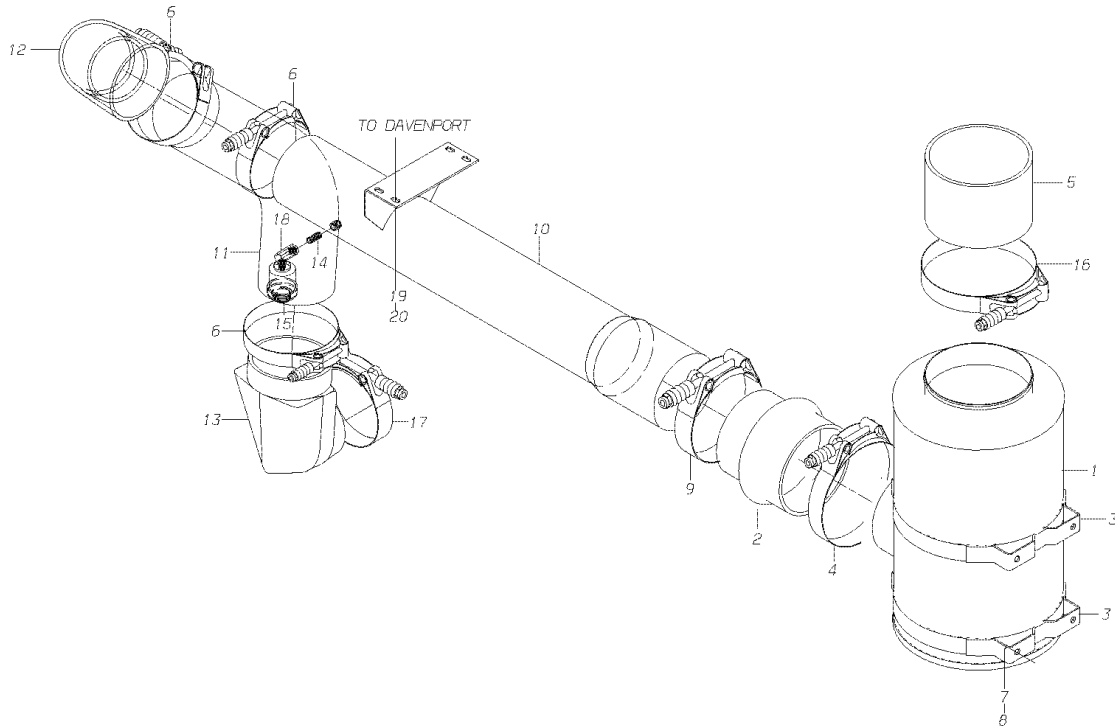


**Models:** A3RE, C4RE  
**AIR INTAKE**  
**CAT 3126**  
**With Features:** FEATURE 40187

Key	PartNumber	Qty	Description	Comment
1	1967744		CLEANER,AIR,ECO-BC,FARR CORP	
NI	0028777		BLEEDER, AIR CLEANER 1967744	
2	0005888		HOSE,HUMP,6.00 ID X 5.50 ID	
3	1657642	2	CLAMP ASSY,AIR CLEANER,ECO,071921-004	
4	1856038		CLAMP,SPRING LOADED,6.50 ID,6.25-6.56	
5	1945971		HOSE,RUBBER,7.00 X 7.25 X 3.25	
6	1432798	3	CLAMP,SPRING LOADED,5.50 ID.5.31-5.62	
7	0882795	4	LOCKWASHER,SPLIT RING,3/8,MED,YELLOW	
8	2001451	4	NUT,HEX HD,3/8-16,YELLOW DICHROMATE	
9	1421973		CLAMP,SPRING LOADED,6.00 ID,5.75-6.06	
10	0000873		TUBE ASSY,AIR INTAKE,5.00 OD CUMN ISB,	
11	0003322		TUBE,AIR INTAKE,5.00 OD,CAT 3126,1OF2,	
12	1758952		ELBOW,RUBBER 5 IN ID X 90 DEG	
13	0014917		ELBOW,RUBBER,COBRA,4 TO 5,SPCL LOW	
14	2051381		NIPPLE,BRASS,1/8 CLOSE 3326 X 2	
15	1946003		INDICATOR,AIR RESTRICTION,25 IN	ALL EXCEPT WITH 40280-11
15	1977255		INDICATOR,AIR RESTRICTION,25 IN,W/O	
16	1946060		CLAMP,SPRING LOADED,7.75 ID,7.50-7.81	
17	1421981		CLAMP,SPRING LOADED,4.50 ID,4.25-4.56	
18	1990696		FITTING,90 DEGREE,FARR	
19	1467000	4	WASHER,FLAT, .281 X.750X.078 HARDENED,BLK	
20	2000073	4	SCREW,1/4-20 X 1,D,HEX HD,YEL ZN DICH	
21	0009903		ELBOW,90 DEG,MALE1869X4-Z,.13MPT X .25T	
22	0654962		TUBING,PLASTIC,1/4 OD,BLACK,SAE J844 TYPE	

**Models:** A3RE  
**AIR INTAKE**  
**CUMMINS 5.9 ISB**  
**With Features:** FEATURE 40177

Key	PartNumber	Qty	Description	Comment
-----	------------	-----	-------------	---------

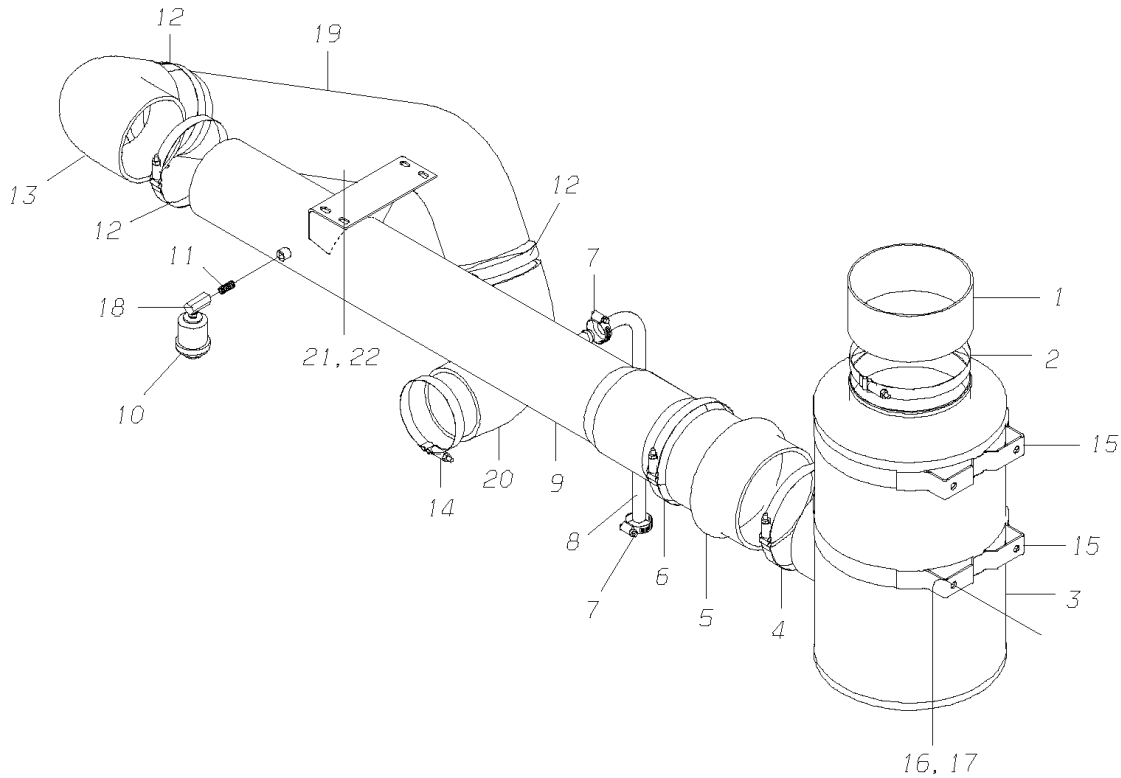


**Models:** A3RE  
**AIR INTAKE**  
**CUMMINS 5.9 ISB**  
**With Features:** FEATURE 40177

Key	PartNumber	Qty	Description	Comment
1	1967744	1	CLEANER,AIR,ECO-BC,FARR CORP	
2	0005888	1	HOSE,HUMP,6.00 ID X 5.50 ID	
3	1657642	2	CLAMP ASSY,AIR CLEANER,ECO,071921-004	
4	1856038	2	CLAMP,SPRING LOADED,6.50 ID,6.25-6.56	
5	1945971	1	HOSE,RUBBER,7.00 X 7.25 X 3.25	
6	1432798	2	CLAMP,SPRING LOADED,5.50 ID.5.31-5.62	
7	1107085	4	WASHER,FLAT,13/32 X 13/16 X 3/32,HDN,BLK	
8	0826297	4	NUT,HEX HD,3/8-16 LOCK,YEL ZN DICH	
9	1421973	1	CLAMP,SPRING LOADED,6.00 ID,5.75-6.06	
10	0000873	1	TUBE ASSY,AIR INTAKE,5.00 OD CUMN ISB,	
11	1944065	1	TUBE,AIR INTAKE,5.00 OD,CUMN 5.9,1 OF	
12	1758952	1	ELBOW,RUBBER 5 IN ID X 90 DEG	
13	0014917	1	ELBOW,RUBBER,COBRA,4 TO 5,SPCL LOW	
14	2051381	1	NIPPLE,BRASS,1/8 CLOSE 3326 X 2	
15	1946003	1	INDICATOR,AIR RESTRICTION,25 IN	
16	1946060	1	CLAMP,SPRING LOADED,7.75 ID,7.50-7.81	
17	1421981	1	CLAMP,SPRING LOADED,4.50 ID,4.25-4.56	
18	1990696	1	FITTING,90 DEGREE,FARR	
19	1467000	4	WASHER,FLAT, .281 X.750X.078 HARDENED,BLK	
20	2000073	4	SCREW,1/4-20 X 1,D,HEX HD,YEL ZN DICH	

**Models:** A3RE  
 AIR INTAKE  
 CUMMINS ISB-E  
 RIGHT HAND DRIVE, UK  
**With Features:** FEATURE 40177-04, 40361-01

Key	PartNumber	Qty	Description	Comment
-----	------------	-----	-------------	---------



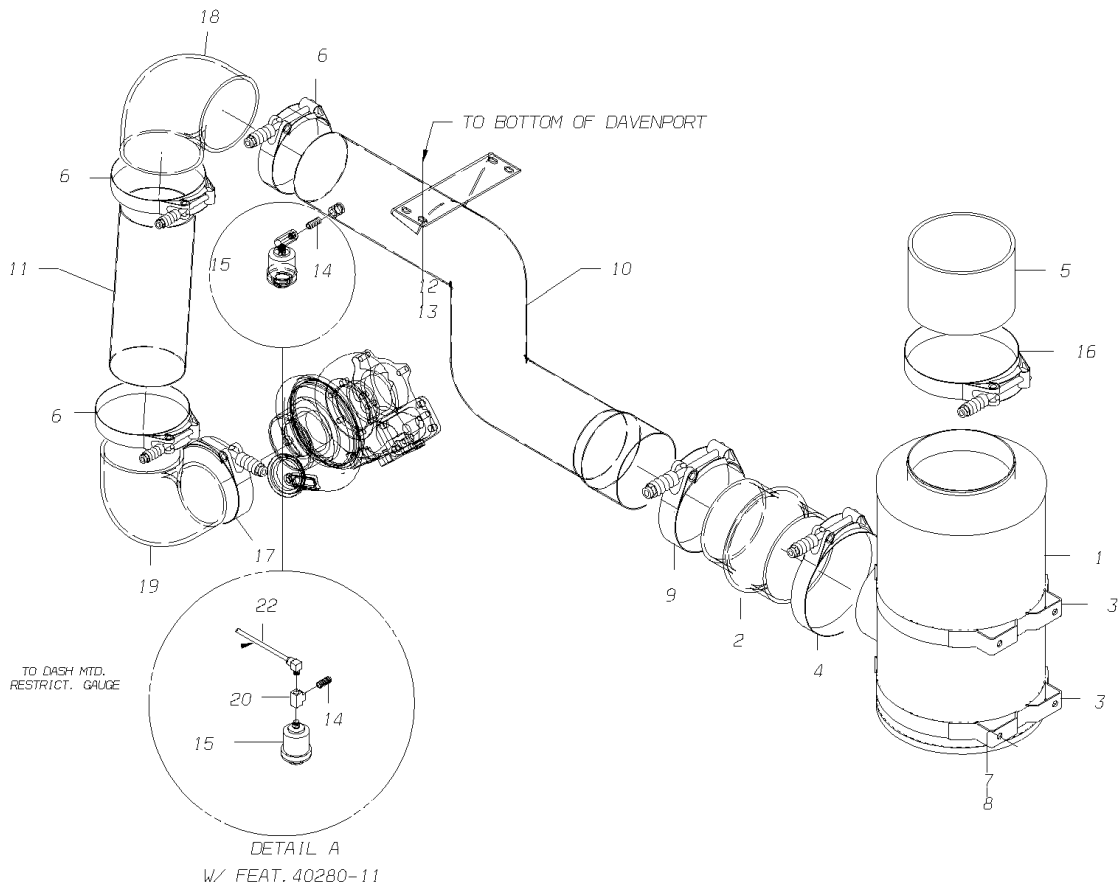


**Models:** A3RE  
**AIR INTAKE**  
**CUMMINS ISB-E**  
**RIGHT HAND DRIVE, UK**  
**With Features:** FEATURE 40177-04, 40361-01

Key	PartNumber	Qty	Description	Comment
1	1945971	1	HOSE,RUBBER,7.00 X 7.25 X 3.25	
2	1946060	1	CLAMP,SPRING LOADED,7.75 ID,7.50-7.81	
3	1967744	1	CLEANER,AIR,ECO-BC,FARR CORP	
NI	0028777		BLEEDER, AIR CLEANER 1967744	
4	1856038	1	CLAMP,SPRING LOADED,6.50 ID,6.25-6.56	
5	0005888	1	HOSE,HUMP,6.00 ID X 5.50 ID	
6	1421973	1	CLAMP,SPRING LOADED,6.00 ID,5.75-6.06	
7	2008522	2	CLAMP,1IN HOSE	
8	1886357	1	HOSE,.75 ID X 1.03 OD,W-H H10112	
9	0043242	1	TUBE ASSY,AIR INTAKE,5.00 OD,CUMN ISBE	
10	1946003	1	INDICATOR,AIR RESTRICTION,25 IN	
11	2051381	1	NIPPLE,BRASS,1/8 CLOSE 3326 X 2	
12	1432798	3	CLAMP,SPRING LOADED,5.50 ID.5.31-5.62	
13	1758952	1	ELBOW,RUBBER 5 IN ID X 90 DEG	
14	1421981	1	CLAMP,SPRING LOADED,4.50 ID,4.25-4.56	
15	1657642	2	CLAMP ASSY,AIR CLEANER,ECO,071921-004	
16	0826297	4	NUT,HEX HD,3/8-16 LOCK,YEL ZN DICH	
17	1107085	4	WASHER,FLAT,13/32 X 13/16 X 3/32,HDN,BLK	
18	1990696	1	FITTING,90 DEGREE,FARR	
19	0043241	1	TUBE,AIR INTAKE,CUMN ISBE	
20	1454685	1	ELBOW,REDUCING,RUBBER,5.00 X 4.00	
21	2000073	4	SCREW,1/4-20 X 1,D,HEX HD,YEL ZN DICH	
22	1467000	4	WASHER,FLAT,.281 X.750X.078 HARDENED,BLK	

**Models:** A3RE  
**AIR INTAKE**  
**CUMMINS ISC**  
**With Features:** FEATURE 40184

Key	PartNumber	Qty	Description	Comment
-----	------------	-----	-------------	---------

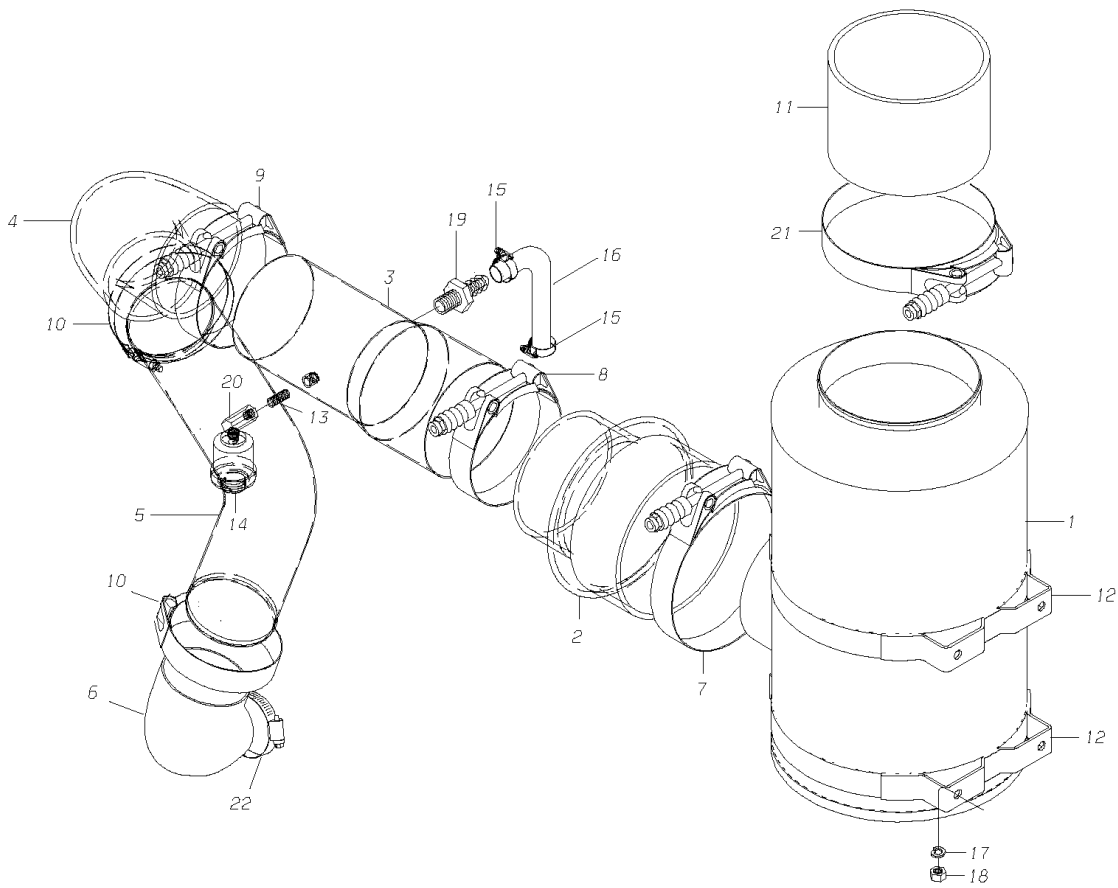


**Models:** A3RE  
**AIR INTAKE**  
**CUMMINS ISC**  
**With Features:** FEATURE 40184

Key	PartNumber	Qty	Description	Comment
1	1967744	1	CLEANER,AIR,ECO-BC,FARR CORP	
NI	0028777		BLEEDER, AIR CLEANER 1967744	
2	0005888	1	HOSE,HUMP,6.00 ID X 5.50 ID	
3	1657642	2	CLAMP ASSY,AIR CLEANER,ECO,071921-004	
4	1856038	1	CLAMP,SPRING LOADED,6.50 ID,6.25-6.56	
5	1945971	1	HOSE,RUBBER,7.00 X 7.25 X 3.25	
6	1432798	3	CLAMP,SPRING LOADED,5.50 ID.5.31-5.62	
7	0882795	4	LOCKWASHER,SPLIT RING,3/8,MED,YELLOW	
8	2001451	4	NUT,HEX HD,3/8-16,YELLOW DICHROMATE	
9	1421973	1	CLAMP,SPRING LOADED,6.00 ID,5.75-6.06	
10	0011320	1	TUBE ASSY,AIR INTAKE,5.00 OD,CUMN ISC,	
11	1555523	1	TUBE,AIR INTAKE,5.00 X 12.50	
12	1467000	4	WASHER,FLAT,.281 X.750X.078 HARDENED,BLK	
13	2000073	4	SCREW,1/4-20 X 1,D,HEX HD,YEL ZN DICH	
14	2051381	1	NIPPLE,BRASS,1/8 CLOSE 3326 X 2	
15	1946003	1	INDICATOR,AIR RESTRICTION,25 IN	
16	1946060	1	CLAMP,SPRING LOADED,7.75 ID,7.50-7.81	
17	1421981	1	CLAMP,SPRING LOADED,4.50 ID,4.25-4.56	
18	1758952	1	ELBOW,RUBBER 5 IN ID X 90 DEG	
19	1454685	1	ELBOW,REDUCING,RUBBER,5.00 X 4.00	

**Models:** A3RE  
**AIR INTAKE**  
**JOHN DEERE 6.8**  
**With Features:** FEATURE 40182

Key	PartNumber	Qty	Description	Comment
-----	------------	-----	-------------	---------

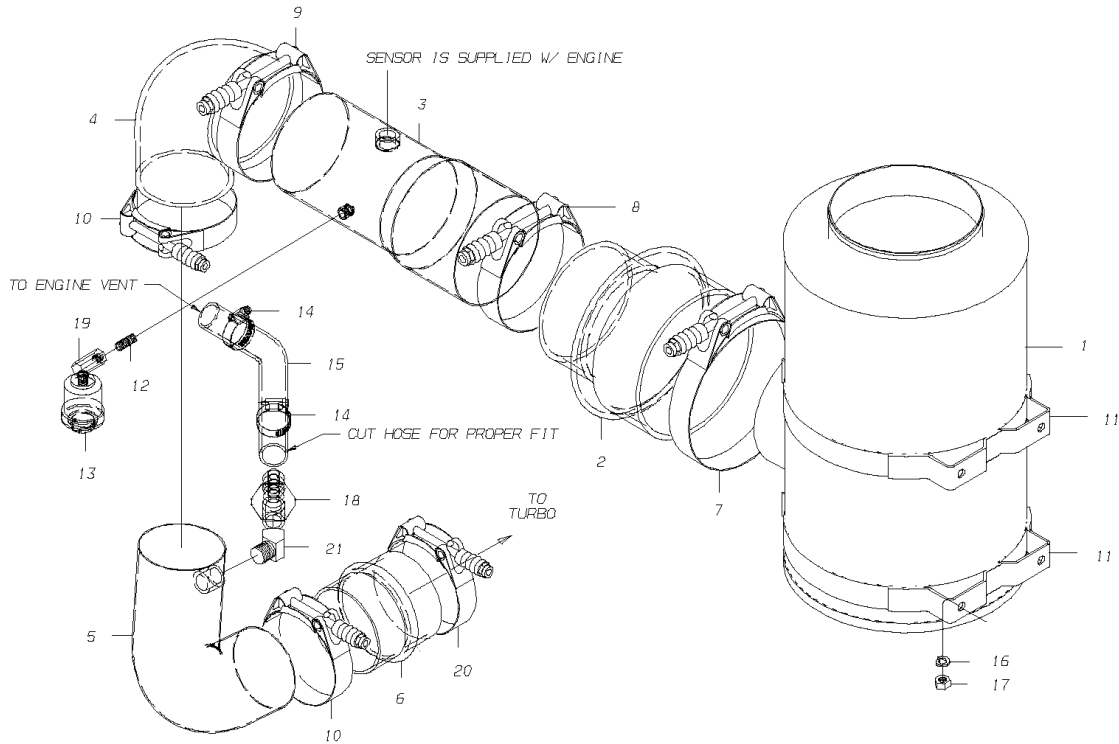


**Models:** A3RE  
**AIR INTAKE**  
**JOHN DEERE 6.8**  
**With Features:** FEATURE 40182

Key	PartNumber	Qty	Description	Comment
1	1967744	1	CLEANER,AIR,ECO-BC,FARR CORP	<i>SERVICE AIR CLEANER AS ASSY., ONLY)</i>
NI	0028777		BLEEDER, AIR CLEANER 1967744	
2	0993808	1	HOSE,HUMP,RUBBER,7 TO 5 1/2	
3	1990837	1	TUBE,AIR INTAKE,5.00ODX5.50OD JOHN	
4	1454685	1	ELBOW,REDUCING,RUBBER,5.00 X 4.00	
5	0009942	1	TUBE,AIR INTAKE,JD 6.8, HDRE	
6	1905686	1	ELBOW,90 DEG,REDUCING,4.00 X 3.50 ID	
7	1421965	1	CLAMP,SPRING LOADED,7.50 ID,7.25-7.56	
8	1421973	1	CLAMP,SPRING LOADED,6.00 ID,5.75-6.06	
9	1432798	1	CLAMP,SPRING LOADED,5.50 ID.5.31-5.62	
10	1421981	2	CLAMP,SPRING LOADED,4.50 ID,4.25-4.56	
11	1945971	1	HOSE,RUBBER,7.00 X 7.25 X 3.25	
12	1657642	2	CLAMP ASSY,AIR CLEANER,ECO,071921-004	
13	2051381	1	NIPPLE,BRASS,1/8 CLOSE 3326 X 2	
14	1990662	1	INDICATOR,AIR RESTRICTION,15",FARR	
15	2008522	2	CLAMP,1IN HOSE	
16	1991850	1	HOSE,VENT,AIR INTAKE,42 INCHS LG	
17	0882795	4	LOCKWASHER,SPLIT RING,3/8,MED,YELLOW	
18	2001451	4	NUT,HEX HD,3/8-16,YELLOW DICHROMATE	
19	1992023	1	FITTING,HOSE BARB TO MALE PIPE 125HBL-12	
20	1990696	1	FITTING,90 DEGREE,FARR	
21	1946060	1	CLAMP,SPRING LOADED,7.75 ID,7.50-7.81	
22	1926252	1	CLAMP,SPRING LOADED,4.00 ID,3.94-4.25	

Models: **A3RE, C4RE**  
**AIR INTAKE**  
**JOHN DEERE 8.1**  
 With Features: **FEATURE 40181**

Key	PartNumber	Qty	Description	Comment
-----	------------	-----	-------------	---------

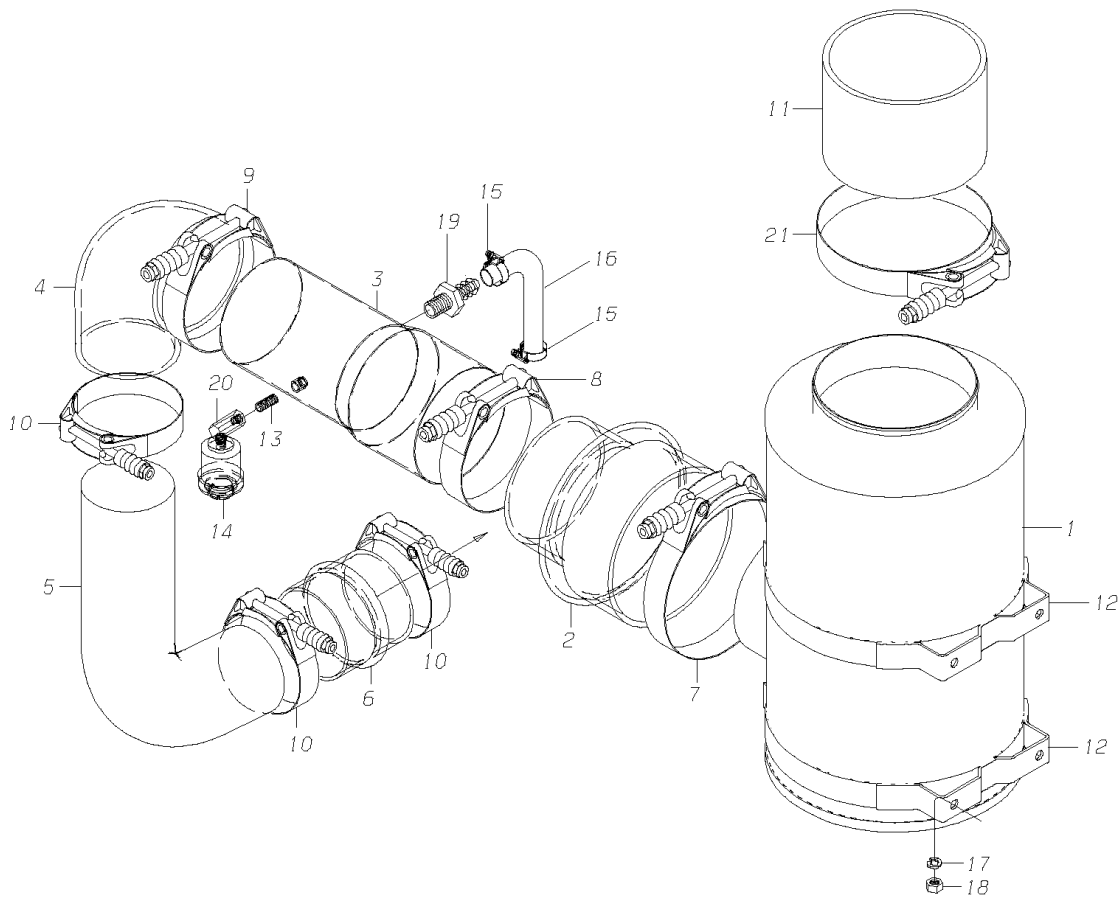


**Models:** A3RE, C4RE  
**AIR INTAKE**  
**JOHN DEERE 8.1**  
**With Features:** FEATURE 40181

Key	PartNumber	Qty	Description	Comment
1	1967744		CLEANER,AIR,ECO-BC,FARR CORP	
NI	0028777		BLEEDER, AIR CLEANER 1967744	
2	0005888		HOSE,HUMP,6.00 ID X 5.50 ID	
3	0042168		TUBE,AIR INTAKE,UPPER,JD 8.1, C4RE	
4	1454685		ELBOW,REDUCING,RUBBER,5.00 X 4.00	
5	0041894		TUBE,AIR INTAKE,JD 8.1,C4RE	
6	0042073		HOSE,HUMP,REDUCING,4.00ID X 3.50ID,5.00	
7	1856038		CLAMP,SPRING LOADED,6.50 ID,6.25-6.56	
8	1421973		CLAMP,SPRING LOADED,6.00 ID,5.75-6.06	
9	1432798		CLAMP,SPRING LOADED,5.50 ID.5.31-5.62	
10	1421981	2	CLAMP,SPRING LOADED,4.50 ID,4.25-4.56	
11	1657642	2	CLAMP ASSY,AIR CLEANER,ECO,071921-004	
12	2051381		NIPPLE,BRASS,1/8 CLOSE 3326 X 2	
13	1990662		INDICATOR,AIR RESTRICTION,15",FARR	
14	2008522	2	CLAMP,1IN HOSE	
15	1886357		HOSE,.75 ID X 1.03 OD,W-H H10112	
16	0882795	4	LOCKWASHER,SPLIT RING,3/8,MED,YELLOW	
17	2001451	4	NUT,HEX HD,3/8-16,YELLOW DICHROMATE	
18	1992023		FITTING,HOSE BARB TO MALE PIPE 125HBL-12	
19	1990696		FITTING,90 DEGREE,FARR	
20	1926252		CLAMP,SPRING LOADED,4.00 ID,3.94-4.25	
21	1831890		ELBOW,STREET,45DEG,3350X8,1/2MPTX1/2FPT	
NI	1945971		HOSE,RUBBER,7.00 X 7.25 X 3.25	
NI	1946060		CLAMP,SPRING LOADED,7.75 ID,7.50-7.81	
NI	1602663	4	CLAMP,LOOP,1.00 INCH,INSULATED	
NI	0008340	4	CLAMP,LOOP,3.00	
NI	0989145	4	CAPSCREW,HEX HD,5/16-18, X, 1, ,GR5,	
NI	1981844	4	NUT,HEX HD,5/16-18,LOCK,YEL DICH	
NI	2001121	8	WASHER,FLAT,5/16 X 3/4,X 5/64,YEL ZN DICH	

**Models:** A3RE  
**AIR INTAKE**  
**JOHN DEERE 8.1**  
**With Features:** FEATURE 40181

Key	PartNumber	Qty	Description	Comment
-----	------------	-----	-------------	---------






**Models:** A3RE  
AIR INTAKE  
JOHN DEERE 8.1  
**With Features:** FEATURE 40181

Key	PartNumber	Qty	Description	Comment
1	1967744	1	CLEANER,AIR,ECO-BC,FARR CORP	
NI	0028777		BLEEDER, AIR CLEANER 1967744	
2	0993808	1	HOSE,HUMP,RUBBER,7 TO 5 1/2	
3	1990837	1	TUBE,AIR INTAKE,5.00ODX5.50OD JOHN	
4	1454685	1	ELBOW,REDUCING,RUBBER,5.00 X 4.00	
5	1886001	1	TUBE,AIR INTAKE,4.00 OD,JOHN DEERE 8.1, RE	
6	0980755	1	HOSE,HUMP,4 INCH ID	
7	1421965	1	CLAMP,SPRING LOADED,7.50 ID,7.25-7.56	
8	1421973	1	CLAMP,SPRING LOADED,6.00 ID,5.75-6.06	
9	1432798	1	CLAMP,SPRING LOADED,5.50 ID.5.31-5.62	
10	1421981	3	CLAMP,SPRING LOADED,4.50 ID,4.25-4.56	
11	1945971	1	HOSE,RUBBER,7.00 X 7.25 X 3.25	
12	1657642	2	CLAMP ASSY,AIR CLEANER,ECO,071921-004	
13	2051381	1	NIPPLE,BRASS,1/8 CLOSE 3326 X 2	
14	1990662	1	INDICATOR,AIR RESTRICTION,15"",FARR	
15	2008522	2	CLAMP,1IN HOSE	
16	1991850	1	HOSE,VENT,AIR INTAKE,42 INCHS LG	
17	0882795	4	LOCKWASHER,SPLIT RING,3/8,MED,YELLOW	
18	2001451	4	NUT,HEX HD,3/8-16,YELLOW DICHROMATE	
19	1992023	1	FITTING,HOSE BARB TO MALE PIPE 125HBL-12	
20	1990696	1	FITTING,90 DEGREE,FARR	
21	1946060	1	CLAMP,SPRING LOADED,7.75 ID,7.50-7.81	

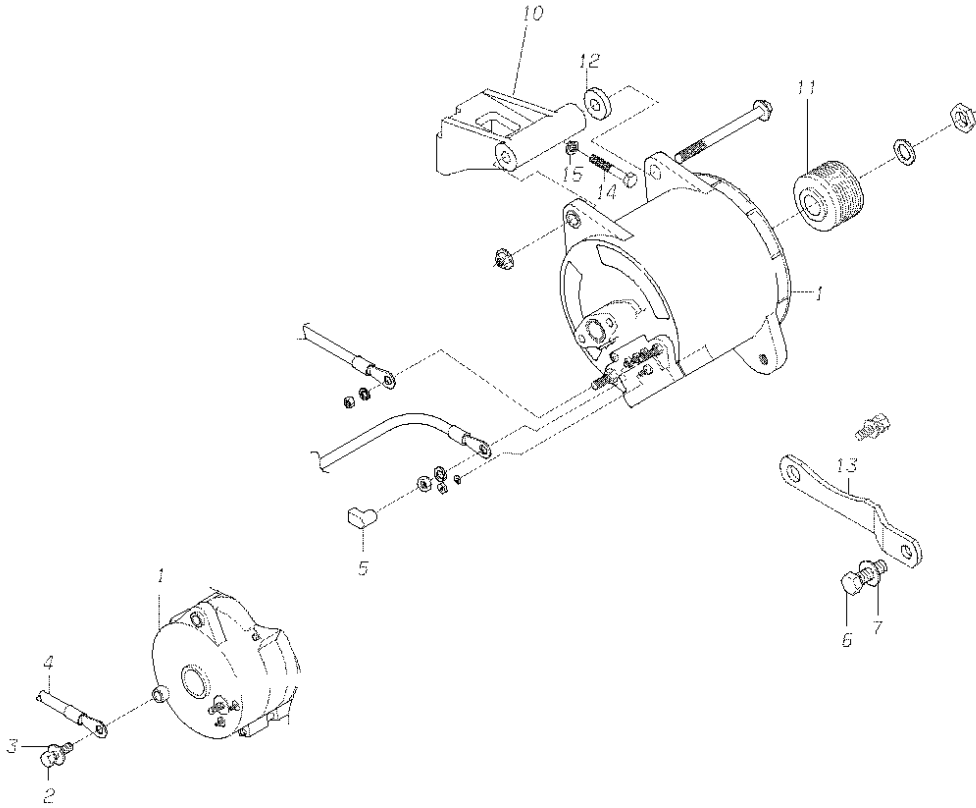
**Models:** A3FE, A3RE  
**ALTERNATOR**  
**130/160 AMP**

**With Features:** FEATURE 40132-01, -02, 40133-01, -02, -03  
 To CSN A3FE30039909; A3RE10039979

Key	PartNumber	Qty	Description	Comment
-----	------------	-----	-------------	---------

DRP. 10/8/88	BY J	---	1945078	0	
APP. 10/3/88	BY AB	PRY		REV	

© BLUE BIRD BODY COMPANY. ALL RIGHTS RESERVED



DELCO 130 AMP ALTERNATOR

**Models:** **A3FE, A3RE**  
**ALTERNATOR**  
**130/160 AMP**

**With Features:** **FEATURE 40132-01, -02, 40133-01, -02, -03**  
**To CSN A3FE30039909; A3RE10039979**

Key	PartNumber	Qty	Description	Comment
1	1707546		ALTERNATOR,130 AMP,DELCO 19020302	FEATURE 40132-01 130 AMP DELCO
1	1990878		ALTERNATOR,160 AMP,DELCO 31-SI	FEATURE 40132-02 160 AMP DELCO
1	1706027		ALTERNATOR,130A LEECE-NEVILLE,A001	FEATURE 40133-01 130 AMP LEECE- NEVILLE
1	1144203		ALTERNATOR,160A,LEECE-NEVILLE,A001	FEATURE 40133-02 160 AMP LEECE- NEVILLE
1	1972686	1	ALTERNATOR,ENG,L-N,175A,12V,INT REG,1180	FEATURE 40133-03 160 AMP HIGH OUTPUT LEECE-NEVILLE
2	1304633		CAPSCREW,HX HD,M8-1.25X30,CL10.9,	FEATURE 40132-01 M8-1
2	0803239		CAPSCREW,HEX HD,1/2-13 X1 1/2,GR8	FEATURE 40133-01 40133-02 40133-03
3	1167485		WASHER,FLAT,11/32 X 11/16 X 5/64,HDN,BLK	FEATURE 40132-01 11/32
3	2001105		WASHER,FLAT,13/64 X,1/2 X 3/64,YEL ZN DICH	FEATURE 40132-02 13/16
3	0850776		WASHER,FLAT,17/32 X 1 1/16 X 3/32,	FEATURE 40133-01 40133-02 17/32
4	0002246		HARNESS,WRG,ALTERNATOR,EXCITER,TCRE	FEATURE 40133-01 40133-02
5	2024545		BOOT,TERMINAL	FEATURE 40133-01 40133-02 40133-03
	2001170		LOCKWASHER,SPLIT RING, 1/4 ,MED,YEL ZN	. FEATURE 40132-02
6	0803239		CAPSCREW,HEX HD,1/2-13 X1 1/2,GR8	FEATURE 40133 40132-01
	2194447	1	NUT,HEX HD,1/4-20,PRVLG TORQUE,YEL ZN	
7	0850776	1	WASHER,FLAT,17/32 X 1 1/16 X 3/32,	FEATURE 40132-01 40132-02 40133-01 02 03
8	0803239		CAPSCREW,HEX HD,1/2-13 X1 1/2,GR8	FEATURE 40132-02
9	0850776		WASHER,FLAT,17/32 X 1 1/16 X 3/32,	FEATURE 40132-02
10	1996784		BRACKET ASSY,ALT,L-N 9800,CUM ISB,RE	FEATURE 40133-03
11	1991421		PULLEY,ALT,L-N 9800,2.37 X 8 VEE,CUMN 5.9	FEATURE 40133-03
12	0997742		CAPSCREW,HX HD,M10-1.5X25,CL10.9,	FEATURE 40133-03
13	0854406		CAPSCREW,HEX HD,5/16-18 X 1,GR8,YEL ZN	FEATURE 40133-03
14	2001188		LOCKWASHER,SPLIT RING, 5/16,MED,YEL ZN	FEATURE 40133-03
15	0002170		SUPPORT ASSY,ALT,L-N9804,CUM ISB	FEATURE 40133-03

**Models:** A3FE, A3RE, C1FE, CSFE, TCFE, TCRE, TSFE

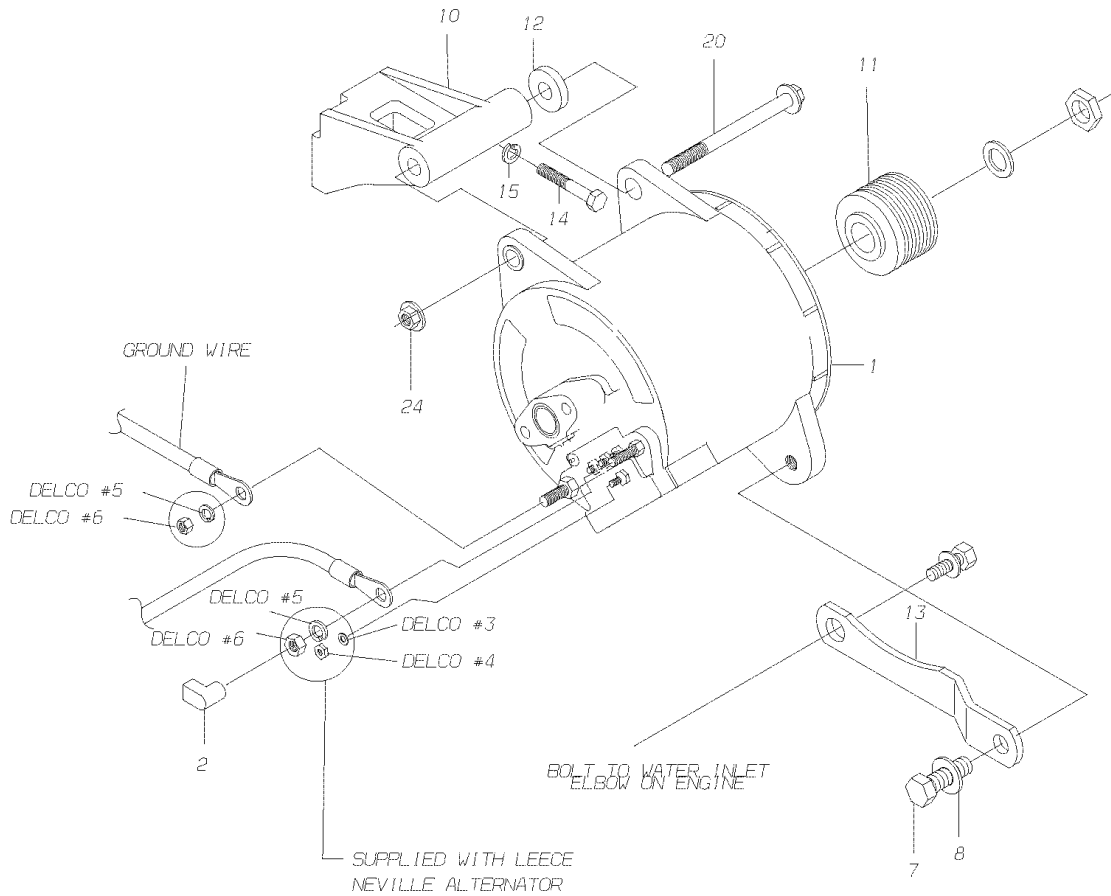
**ALTERNATOR**

**160 AMP**

**DELCO**

**With Features:** FEATURE 40132-02

Key	PartNumber	Qty	Description	Comment
-----	------------	-----	-------------	---------



**Models:** A3FE, A3RE, C1FE, CSFE, TCFE, TCRE, TSFE  
**ALTERNATOR**  
**160 AMP**  
**DELCO**

**With Features:** FEATURE 40132-02

Key	PartNumber	Qty	Description	Comment
1	1990878		ALTERNATOR,160 AMP,DELCO 31-SI	
	0021380		REGULATOR,VOLTAGE,DELCO,1990878	
2	2024545		BOOT,TERMINAL	
*N	2001105		WASHER,FLAT,13/64 X,1/2 X 3/64,YEL ZN DICH	
*N	1495415		NUT,HEX HD,10-32 PRVLG TORQUE, GRADE A,	
*N	2001170	2	LOCKWASHER,SPLIT RING, 1/4 ,MED,YEL ZN	
*N	2194447		NUT,HEX HD,1/4-20,PRVLG TORQUE,YEL ZN	
*7	0803239		CAPSCREW,HEX HD,1/2-13 X1 1/2,GR8	
*8	0850776	1	WASHER,FLAT,17/32 X 1 1/16 X 3/32,	
NI	1107085	2	WASHER,FLAT,13/32 X 13/16 X 3/32,HDN,BLK	
10	1440486		CASTING,ALTERNATOR,AARE	
11	1454669		PULLEY,ALTERNATOR,2.37 DIA X 8 VEE	
*1	0014043		BRACE,ALTERNATOR,CAT 3126B	
NI	1248764	1	CAPSCREW,HEX HD,3/8-16 X 3,FULL THD,GR 5,	
*N	1450261		BELT TENSIONER ASSY.,AAFC/RE	
*N	1454628		BELT,POLY VEE,8V X 51.00 LONG,GATES	
NI	1003086	1	CAPSCREW,HEX HD,1/2-13 X6 1/2,GR8,	
NI	1003045	2	WASHER,FLAT,17/32 X 1 1/16 X 7/64,HDN,	
NI	0997767		CAPSCREW,HX HD,M8-1.25X40,CL10.9,	
NI	0990655		LOCKWASHER,SPLIT RING, 1/2 ,MED,YEL ZN	
NI	0850800	1	NUT,HEX HD,1/2-13,LOCKING,GR 8,CAD WAX	
*N	0803148	1	CAPSCREW,HEX HD,1/2-13 X 1 3/4,GR8,	

Models: A3FE, A3RE, C1FE, CSFE, QBRE, TCFE, TCRE, TSFE

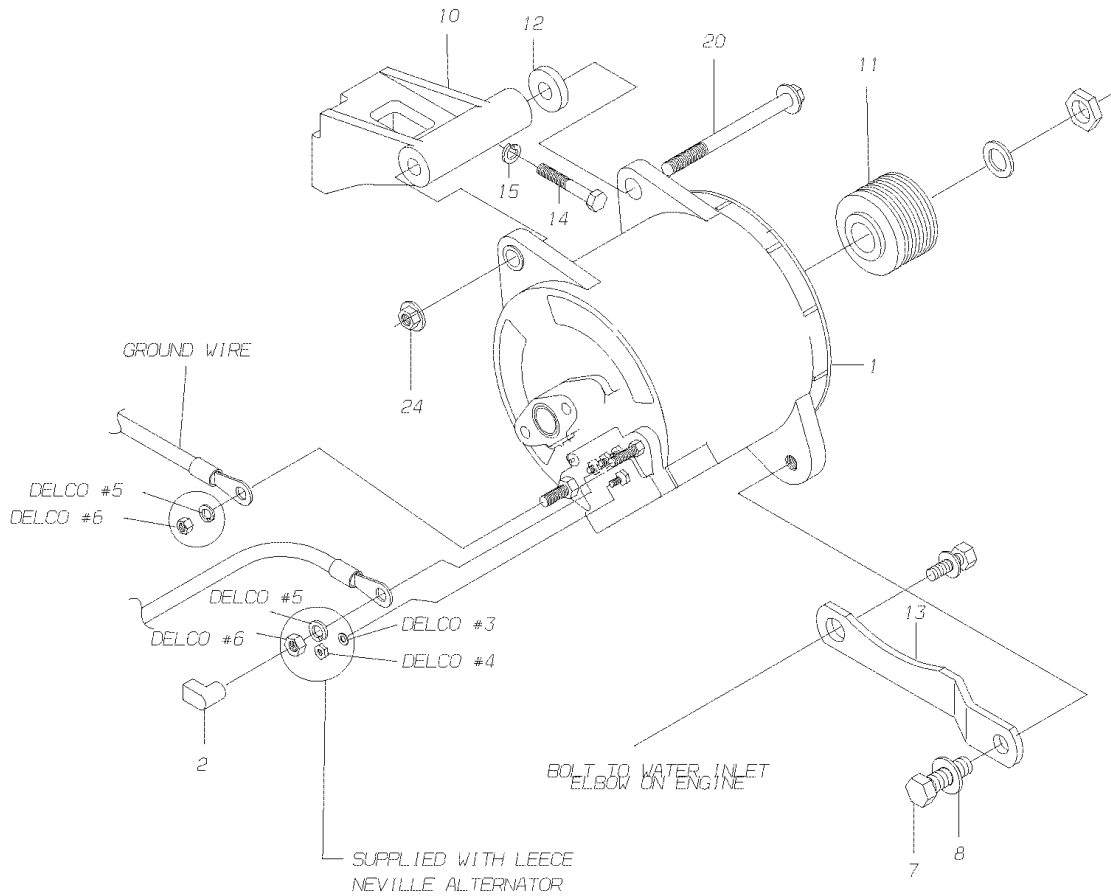
ALTERNATOR

160 AMP

LEECE-NEVILLE

With Features: FEATURE 40133-02

Key	PartNumber	Qty	Description	Comment
-----	------------	-----	-------------	---------



**Models:** A3FE, A3RE, C1FE, CSFE, QBRE, TCFE, TCRE, TSFE

**ALTERNATOR**

**160 AMP**

**LEECE-NEVILLE**

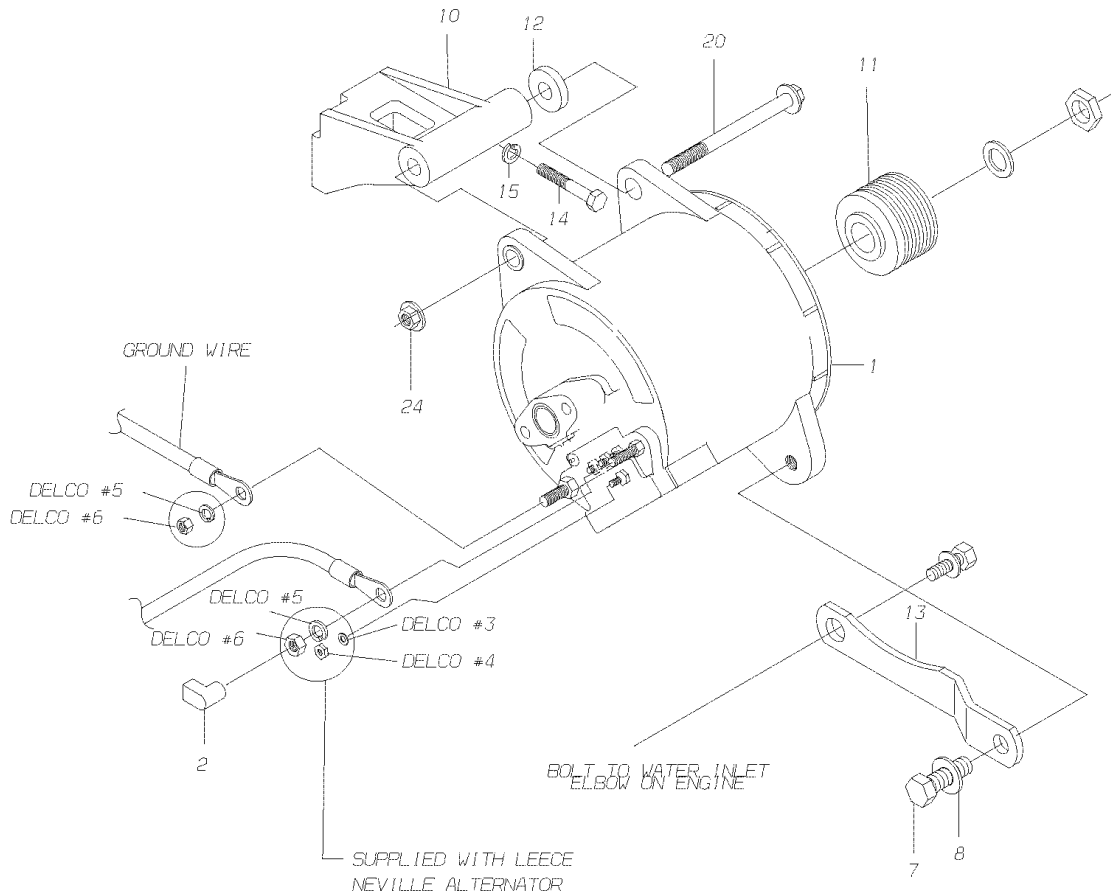
**With Features:** **FEATURE 40133-02**

Key	PartNumber	Qty	Description	Comment
1	1144203		ALTERNATOR,160A,LEECE-NEVILLE,A001	<i>FEATURE 40133-02</i>
1	1144203		ALTERNATOR,160A,LEECE-NEVILLE,A001	<i>FEATURE 40133-02 WITH 40187 CAT 3126B. REAR ENGINE ONLY</i>
1	1382324		ALTERNATOR,160A,LEECE-NEVILLE,2800JB,	<i>FEATURE 40133-02 WITH 40187 CAT 3126B. FORWARD ENGINE ONLY</i>
2	2024545		BOOT,TERMINAL	
*4	0850800		NUT,HEX HD,1/2-13,LOCKING,GR 8,CAD WAX	
*5	0990655	2	LOCKWASHER,SPLIT RING, 1/2 ,MED,YEL ZN	
*7	0803239	1	CAPSCREW,HEX HD,1/2-13 X1 1/2,GR8	
*8	0850776	1	WASHER,FLAT,17/32 X 1 1/16 X 3/32,	
9	1107085	2	WASHER,FLAT,13/32 X 13/16 X 3/32,HDN,BLK	
10	1440486		CASTING,ALTERNATOR,AARE	
11	1454669		PULLEY,ALTERNATOR,2.37 DIA X 8 VEE	
*1	0014043		BRACE,ALTERNATOR,CAT 3126B	
24	0850800	1	NUT,HEX HD,1/2-13,LOCKING,GR 8,CAD WAX	
NI	1248764	1	CAPSCREW,HEX HD,3/8-16 X 3,FULL THD,GR 5,	
*N	1450261		BELT TENSIONER ASSY.,AAFC/RE	
*N	1454628		BELT,POLY VEE,8V X 51.00 LONG,GATES	<i>FEATURE 40187 3126B. REAR ENGINE ONLY</i>
*N	1454636		BELT,POLY VEE,8V X 58.00 LONG,GATES	<i>FEATURE 40187 3126B. FORWARD ENGINE ONLY</i>
NI	1003086	1	CAPSCREW,HEX HD,1/2-13 X6 1/2,GR8,	
NI	1003045	2	WASHER,FLAT,17/32 X 1 1/16 X 7/64,HDN,	
NI	0997767		CAPSCREW,HX HD,M8-1.25X40,CL10.9,	
*N	0803148	1	CAPSCREW,HEX HD,1/2-13 X 1 3/4,GR8,	

**Models:** A3FE, A3RE, BBCV, C1FE, C3FE, CSFE, TCFE, TCRE, TSFE  
**ALTERNATOR**  
**160 AMP, 270 AMP**  
**LEECE-NEVILLE**

**With Features:** FEATURE 40133-03,-05; 40134-04

Key	PartNumber	Qty	Description	Comment
-----	------------	-----	-------------	---------





**Models:** A3FE, A3RE, BBCV, C1FE, C3FE, CSFE, TCFE, TCRE, TSFE

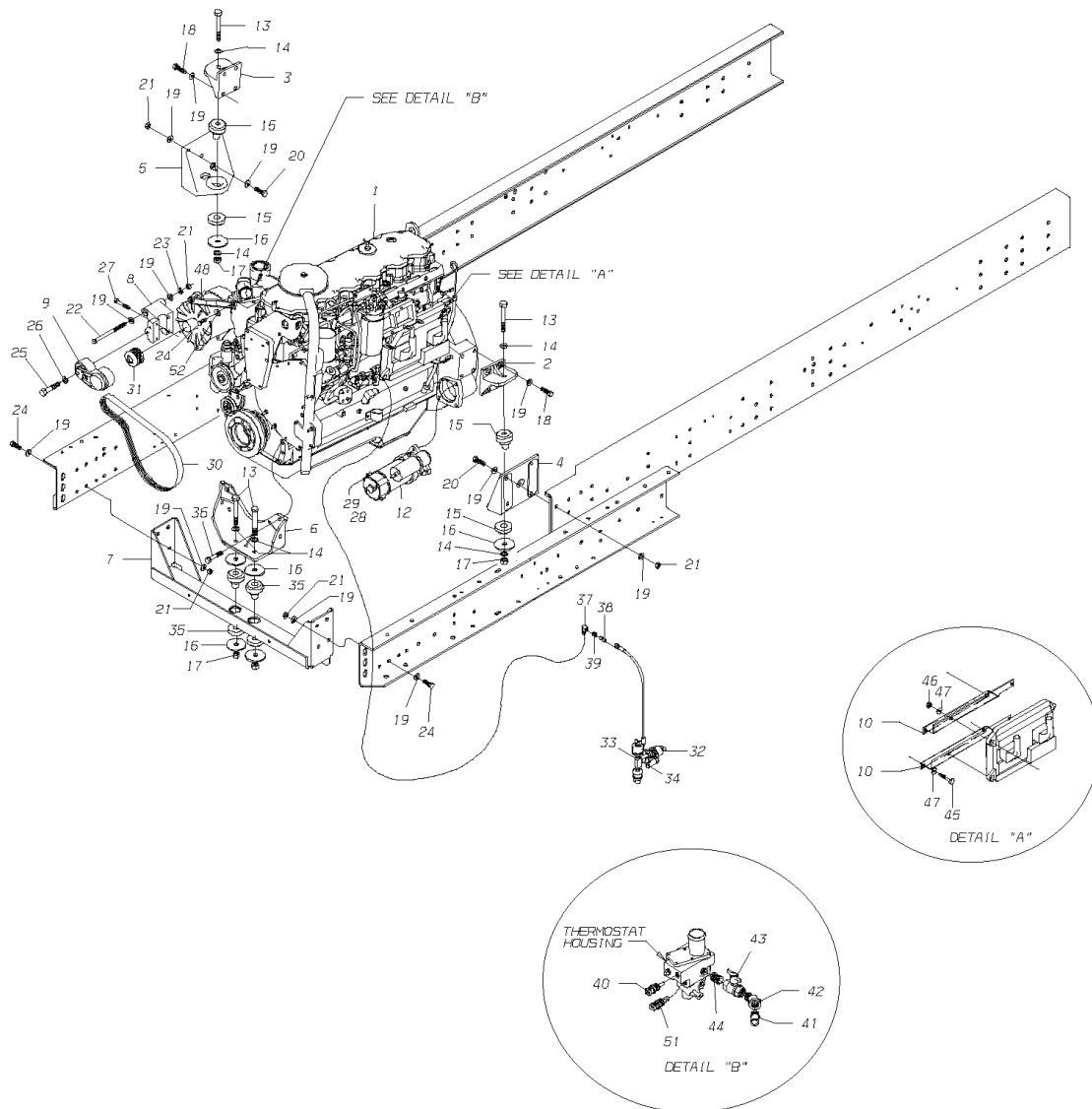
**ALTERNATOR  
160 AMP, 270 AMP  
LEECE-NEVILLE**

**With Features:** FEATURE 40133-03,-05; 40134-04

Key	PartNumber	Qty	Description	Comment
1	1972686		ALTERNATOR,ENG,L-N,175A,12V,INT REG,J180	FEATURE 40133-03
1	1972686		ALTERNATOR,ENG,L-N,175A,12V,INT REG,J180	FEATURE 40133-03 WITH 40187, CAT 3126B. REAR ENGINE ONLY
1	1944297		ALTERNATOR,175A,L-N 4830LC	FEATURE 40133-03 WITH 40187, CAT 3126B. FORWARD ENGINE ONLY
1	0019435		ALTERNATOR,160A,LEECE-NEVILLE,8LHA2121V	FEATURE 40133-05. 160 AMP LOADHANDLER
1	0008588		ALTERNATOR,ENG,L-N,270A,12V,INT REG,J180	FEATURE 40134-04 WITH 40187, CAT 3126E. FORWARD ENGINE ONLY 270 AMP
2	2024545		BOOT,TERMINAL	
4	0850800		NUT,HEX HD,1/2-13,LOCKING,GR 8,CAD WAX	REAR ENGINE ONLY
5	0990655		LOCKWASHER,SPLIT RING, 1/2 ,MED,YEL ZN	REAR ENGINE ONLY
7	0803239	1	CAPSCREW,HEX HD,1/2-13 X1 1/2,GR8	
8	0850776	1	WASHER,FLAT,17/32 X 1 1/16 X 3/32,	
9	1107085		WASHER,FLAT,13/32 X 13/16 X 3/32,HDN,BLK	FEATURE 40187, CAT 3126
10	0005440		CASTING,9800 ALT,REWORK 0005422,ISB,RE	FEATURE 40133-03
10	1440486		CASTING,ALTERNATOR,AARE	FEATURE 40133-03 WITH 40187, CAT 3126B; 40133-05
11	1991421		PULLEY,ALT,L-N 9800,2.37 X 8 VEE,CUMN 5.9	ALL EXCEPT. FEATURE 40187, CAT 3126B
11	1454669		PULLEY,ALTERNATOR,2.37 DIA X 8 VEE	FEATURE 40187, CAT 3126B
12	0005420		SPACER,9800 ALT MT,.500 OD X 1.250 OD	ISB FORWARD ENGINE ONLY
13	0005425		BRACE,9800 ALT MT,ISB,FE	ALL EXCEPT 40187, CAT 3126B
13	0014043		BRACE,ALTERNATOR,CAT 3126B	FEATURE 40187, CAT 3126B
NI	1248764	1	CAPSCREW,HEX HD,3/8-16 X 3,FULL THD,GR 5,	
NI	1450261		BELT TENSIONER ASSY.,AAFC/RE	FEATURE, 40187
NI	1454628		BELT,POLY VEE,8V X 51.00 LONG,GATES	FEATURE 40187 3126B. REAR ENGINE ONLY
NI	1454636		BELT,POLY VEE,8V X 58.00 LONG,GATES	FEATURE 40187 3126B. FORWARD ENGINE ONLY
NI	1003086	1	CAPSCREW,HEX HD,1/2-13 X6 1/2,GR8,	
NI	1003045		WASHER,FLAT,17/32 X 1 1/16 X 7/64,HDN,	
NI	0997767		CAPSCREW,HX HD,M8-1.25X40,CL10.9,	
NI	2001188		LOCKWASHER,SPLIT RING, 5/16,MED,YEL ZN	ISB FORWARD ENGINE ONLY
24	0850800	1	NUT,HEX HD,1/2-13,LOCKING,GR 8,CAD WAX	
NI	0803148	1	CAPSCREW,HEX HD,1/2-13 X 1 3/4,GR8,	

**Models:** A3RE, C4RE  
**CAT 3126B, 3126E**  
**With Features:** FEATURE 40187-01, -02, -03, -04, -05, -06, -07

Key	PartNumber	Qty	Description	Comment
-----	------------	-----	-------------	---------



**Models:** A3RE, C4RE  
**CAT 3126B, 3126E**  
**With Features:** FEATURE 40187-01, -02, -03, -04, -05, -06, -07

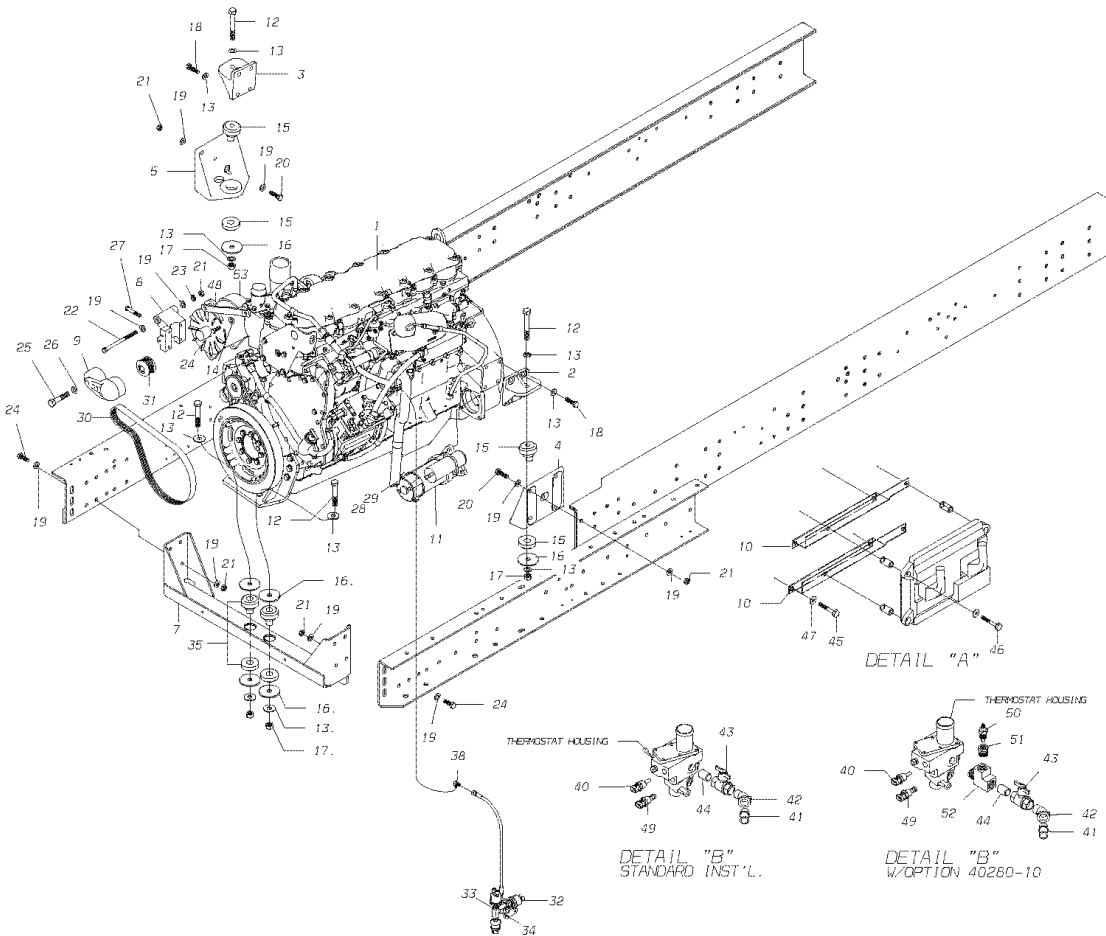
Key	PartNumber	Qty	Description	Comment
1		1	ENGINE ASSEMBLY	SUPPLIED BY MANUFACTURER
NI	0019311	1	FILTER,OIL,ENGINE,CAT	FILTER, OIL, SPIN ON. ENGINE
NI	0060586	1	FILTER,FUEL SYSTEM,ENGINE SPIN ON CAT	FILTER, FUEL, SPIN ON. ENGINE, SECONDARY
2	1930353	1	CASTING,BELLHOUSING,CAT 3126,RH, HDRE	
3	1930361	1	CASTING,BELLHOUSING,CAT 3126,LH,HDRE	
4	1930205	1	CASTING,FRAME,REAR ENGINE,RH,HDRE	
5	1944081	1	CASTING,FRAME,REAR ENGINE,LH,HDRE	
6	1935683	1	CASTING,ENGINE,FRONT,CAT 3126	
7	0003782	1	CROSSMEMBER ASSY,MTG,FRT ENG,CAT 3126,	
8	1440486	1	CASTING,ALTERNATOR,AARE	
9	1450261	1	BELT TENSIONER ASSY.,AAFC/RE	
NI	1454628	1	BELT,POLY VEE,8V X 51.00 LONG,GATES	
NI	0060603	1	BELT,WATER PUMP,CATIPILLAR	
10	0012375	2	BRACKET,MOUNTING,ENG MODULE,CAT 3126	
11	1935782	4	SPACER,MOUNTING,ENG MODULE BRKT,CAT	
12	1935485	1	STARTER,ENGINE,DENSO,428000-1610,12V,	
13	1631068	4	CAPSCREW,HX HD,5/8-11 X 4 1/2,GR8,	
14	0929018	6	WASHER,FLAT,21/32 X 1 1/8 X 3/32,HDN,YEL	
15	1935386	2	ISOLATOR,BARRY,NON-ARMORED	
16	1966332	6	WASHER,FLAT,-.656IDX3.00 ODX.187THK,	
17	0939827	4	NUT,HEX HD,5/8-11,GR 8,LOCK,CADMIUM WAX	
18	0997775	8	CAPSCREW,HX HD,M14-2.0X35,CL10.9,	
19	1003045	42	WASHER,FLAT,17/32 X 1 1/16 X 7/64,HDN,	
20	0803148	8	CAPSCREW,HEX HD,1/2-13 X 1 3/4,GR8,	
21	0850800	25	NUT,HEX HD,1/2-13,LOCKING,GR 8,CAD WAX	
22	1003086	1	CAPSCREW,HEX HD,1/2-13 X6 1/2,GR8,	
23	0990655	1	LOCKWASHER,SPLIT RING, 1/2 ,MED,YEL ZN	
24	0803239	8	CAPSCREW,HEX HD,1/2-13 X1 1/2,GR8	
25	1248764	1	CAPSCREW,HEX HD,3/8-16 X 3,FULL THD,GR 5,	
26	1107085	1	WASHER,FLAT,13/32 X 13/16 X 3/32,HDN,BLK	
27	0997767	4	CAPSCREW,HX HD,M8-1.25X40,CL10.9,	
28	0997734	3	CAPSCREW,HX HD,M10-1.5X35,CL10.9,	
29	1394675	3	LOCKWASHER,SPLIT RING,10 MM,MED,OLV DRB	

**Models:** A3RE, C4RE  
**CAT 3126B, 3126E**  
**With Features:** FEATURE 40187-01, -02, -03, -04, -05, -06, -07

Key	PartNumber	Qty	Description	Comment
30	1454628	1	BELT,POLY VEE,8V X 51.00 LONG,GATES	
31	1454669	1	PULLEY,ALTERNATOR,2.37 DIA X 8 VEE	
32	0019637	1	MANIFOLD ASSY,OIL PRESS,VDO DASH	
33	0870477	2	CAPSCREW,HEX HD,1/4-20 X 1,GR 8,YEL ZN	
34	0659979	2	NUT,HEX,FLANGE SER,1/4-20,BLACK ZINC	
35	1982586	2	ISOLATOR,BARRY,ARMORED	
36	1421775	6	CAPSCREW,HEX FLG,M12-1.75 X 80,10.9	
37	2027233	1	ELBOW,STREET,1/4,3400X4Z	
38	2008084	1	CONNECTOR,MALE,1/4 TUBE X 1/8 PIPE,48 X 4	
39	2008050	1	BUSHING,PIPE,1/8 TO 1/4,BRASS	
40	0007733	1	SENDER,WATER TEMPERATURE,1/2 PIPE,250	
41	0315200	1	ADAPTER,HTR,3/4 PIPE X 1 HOSE	
42	2009272	1	ELBOW,STREET,3/4 45 DEG,GALV	
43	1626431	1	VALVE,BALL,3/4,W/BUTTERFLY HANDLE	
44	2009504	1	NIPPLE,PIPE,3/4 X CLOSE,GALV	
45	0997759	4	CAPSCREW,HX HD,M8-1.25X25,CL10.9,	
46	1030998	4	NUT,HEX HD,M8-1.25,ZINC	
47	1167485	8	WASHER,FLAT,11/32 X 11/16 X 5/64,HDN,BLK	
NI	0014043	1	BRACE,ALTERNATOR,CAT 3126B	
NI	1895747	1	CHANNEL,MTG,HYD RESVR MTG BRKT,CAT 3126	
NI	1851344	1	BRACKET,MTG,HYD RESVR TO SUBFRAME, RE	
NI	1819325		ALARMSTAT,215 DEGREE,METRI-PACK,KYSOR	
NI	0850776		WASHER,FLAT,17/32 X 1 1/16 X 3/32,	

**Models:** A3RE  
**CAT C7**  
**With Features:** FEATURE 40187-09, -10, -11, -12, -13  
**To CSN F10181004**

Key	PartNumber	Qty	Description	Comment
-----	------------	-----	-------------	---------



**Models:** A3RE  
**CAT C7**  
**With Features:** FEATURE 40187-09, -10, -11, -12, -13  
**To CSN F10181004**

Key	PartNumber	Qty	Description	Comment
1		1	ENGINE ASSEMBLY,	SUPPLIED BY CATERPILLAR
NI	0019311	1	FILTER,OIL,ENGINE,CAT	
NI	0060586	1	FILTER,FUEL SYSTEM,ENGINE SPIN ON CAT	SECONDARY
2	1930353	1	CASTING,BELLHOUSING,CAT 3126,RH, HDRE	
3	1930361	1	CASTING,BELLHOUSING,CAT 3126,LH,HDRE	
4	1930205	1	CASTING,FRAME,REAR ENGINE,RH,HDRE	
5	1944081	1	CASTING,FRAME,REAR ENGINE,LH,HDRE	
6	0064231	4	TUBE,STL,RD,.500X.384X1.13	
7	0064255	1	CROSSMEMBER ASSY,MTG,FRT ENG,CAT C-7,	
8	1440486	1	CASTING,ALTERNATOR,AARE	
9	1450261	1	BELT TENSIONER ASSY.,AAFC/RE	
10	0064238	2	BRACKET ASSY,MTG,ENG MODULE,CAT C-7	
12	1935485	1	STARTER,ENGINE,DENSO,428000-1610,12V,	
NI	0065617	1	SOLENOID,STARTER,CAT,BBCV	
13	1631068	4	CAPSCREW,HX HD,5/8-11 X 4 1/2,GR8,	
14	0850776	1	WASHER,FLAT,17/32 X 1 1/16 X 3/32,	
15	1935386	2	ISOLATOR,BARRY,NON-ARMORED	
16	1966332	6	WASHER,FLAT,.656IDX3.00 ODX.187THK,	
17	0939827	4	NUT,HEX HD,5/8-11,GR 8,LOCK,CADMIUM WAX	
18	0997775	8	CAPSCREW,HX HD,M14-2.0X35,CL10.9,	
19	1003045	46	WASHER,FLAT,17/32 X 1 1/16 X 7/64,HDN,	
20	0803148	8	CAPSCREW,HEX HD,1/2-13 X 1 3/4,GR8,	
21	0850800	24	NUT,HEX HD,1/2-13,LOCKING,GR 8,CAD WAX	
22	1003086	1	CAPSCREW,HEX HD,1/2-13 X6 1/2,GR8,	
23	0990655	1	LOCKWASHER,SPLIT RING, 1/2 ,MED,YEL ZN	
24	0803239	7	CAPSCREW,HEX HD,1/2-13 X1 1/2,GR8	
25	1248764	1	CAPSCREW,HEX HD,3/8-16 X 3,FULL THD,GR 5,	
26	1107085	1	WASHER,FLAT,13/32 X 13/16 X 3/32,HDN,BLK	
27	0997767	1	CAPSCREW,HX HD,M8-1.25X40,CL10.9,	
28	0997734	3	CAPSCREW,HX HD,M10-1.5X35,CL10.9,	
29	1394675	3	LOCKWASHER,SPLIT RING,10 MM,MED,OLV DRB	
30	1454628	1	BELT,POLY VEE,8V X 51.00 LONG,GATES	
31	1454669	1	PULLEY,ALTERNATOR,2.37 DIA X 8 VEE	

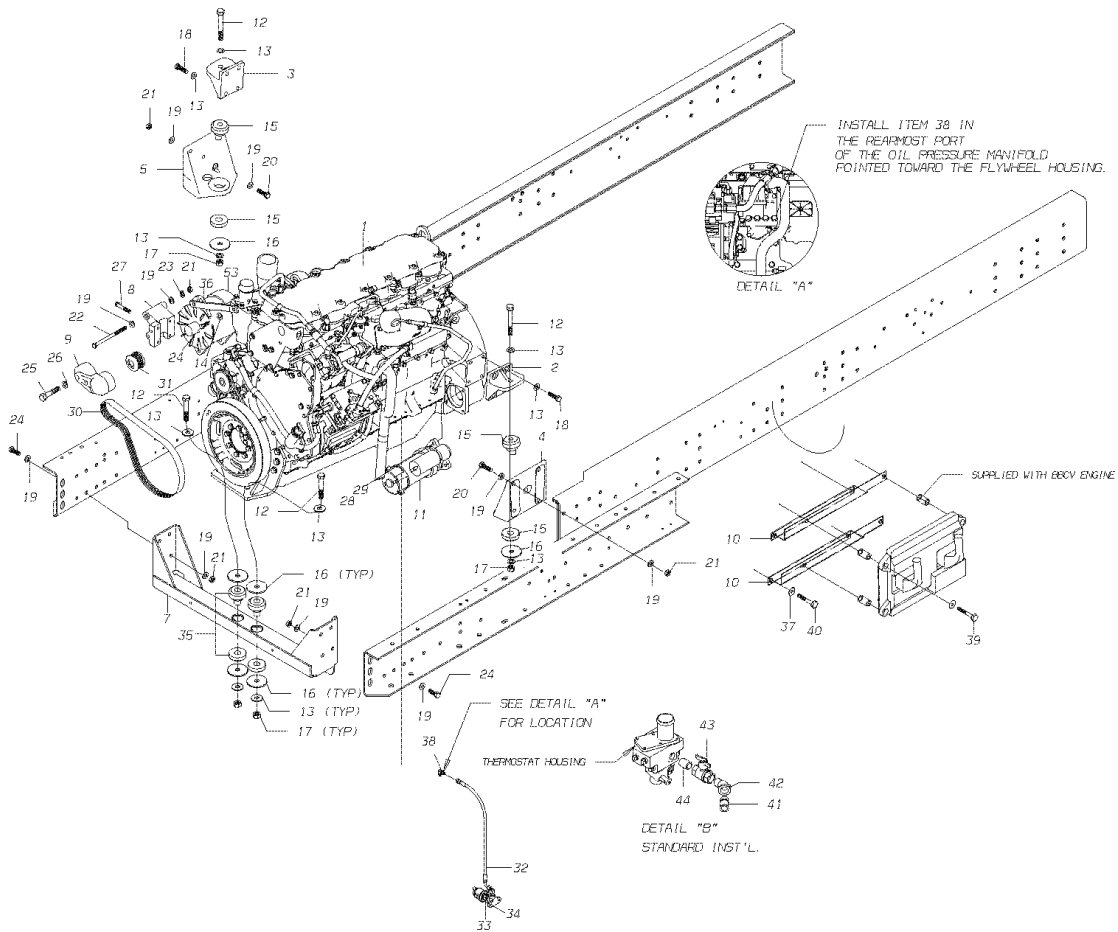
CONSISTS OF THE FOLLOWING

**Models:** A3RE  
**CAT C7**  
**With Features:** FEATURE 40187-09, -10, -11, -12, -13  
**To CSN F10181004**

Key	PartNumber	Qty	Description	Comment
32	0019637	1	MANIFOLD ASSY,OIL PRESS,VDO DASH	
NI	1947431	1	SENDER,OIL PRESSURE,0-150 PSI	
NI	1916436	1	PRESSURESTAT,6 PSI,NORMALLY CLOSED	
NI	1982156	1	HOSE ASSY,14504U604664A03200	
NI	2008241	1	ELBOW,MALE,1/4 TUBE X 1/8 PIPE	
NI	1153303	1	ELBOW,ANCHOR,1/4 FPT,90 DEG,BENDIX	
NI	2008050	1	BUSHING,PIPE,1/8 TO 1/4,BRASS	
NI	0559047	1	TEE,MALE,BRANCH,1/4 PIPE,3600X4	
33	0870477	2	CAPSCREW,HEX HD,1/4-20 X 1,GR 8,YEL ZN	
34	0659979	2	NUT,HEX,FLANGE SER,1/4-20,BLACK ZINC	
35	1982586	2	ISOLATOR,BARRY,ARMORED	
NI	1421775	6	CAPSCREW,HEX FLG,M12-1.75 X 80,10.9	
NI	2027233	1	ELBOW,STREET,1/4,3400X4Z	
38	2008084	1	CONNECTOR,MALE,1/4 TUBE X 1/8 PIPE,48 X 4	
	1932326	1	ELBOW,9/16 O-RING - 1/4JIC(37),TF5515X4X6	9/16 ORING - 1/4JIC37, TF5515X4X6 WH
NI	2008050	1	BUSHING,PIPE,1/8 TO 1/4,BRASS	
40	0007733	1	SENDER,WATER TEMPERATURE,1/2 PIPE,250	
41	0315200	1	ADAPTER,HTR,3/4 PIPE X 1 HOSE	
42	2009272	1	ELBOW,STREET,3/4 45 DEG,GALV	
43	1626431	1	VALVE,BALL,3/4,W/BUTTERFLY HANDLE	
44	2009504	1	NIPPLE,PIPE,3/4 X CLOSE,GALV	
45	0997759	4	CAPSCREW,HX HD,M8-1.25X25,CL10.9,	
46	1085604	4	CAPSCREW,HEX HD,5/16-18X1 3/4,GR8,	
47	1167485	4	WASHER,FLAT,11/32 X 11/16 X 5/64,HDN,BLK	
48	0014043	1	BRACE,ALTERNATOR,CAT 3126B	
49	1819325	1	ALARMSTAT,215 DEGREE,METRI-PACK,KYSOR	
50	0007733		SENDER,WATER TEMPERATURE,1/2 PIPE,250	FEATURE 40280-10
51	3820693		BUSHING,3/4 X 1/2 PIPE,BRASS	FEATURE 40280-10
52	1640317		TEE,3/4 PIPE,STREET,3750X12Z,WEATHERHEAD	FEATURE 40280-10 J
53	1816073		ALTERNATOR,ENG,L-N,200A,12V,4861JB	200 AMP. FEATURE 40134-01
53	0008588		ALTERNATOR,ENG,L-N,270A,12V,INT REG,J180	FEATURE 40134-04
53	0073961		ALTERNATOR,ENG,L-N,320A,12V,INT REG,J180	FEATURE 40134-05

**Models:** A3RE  
**CAT C7**  
**With Features:** FEATURE 40187-09, -10, -11, -12, -13  
**BSN:** From CSN F10181005 (11-01-04)  
 To CSN F10186269 (01/09/05)

Key	PartNumber	Qty	Description	Comment
-----	------------	-----	-------------	---------





**Models:** A3RE  
**CAT C7**  
**With Features:** FEATURE 40187-09, -10, -11, -12, -13  
**BSN:** From CSN F10181005 (11-01-04)  
 To CSN F10186269 (01/09/05)

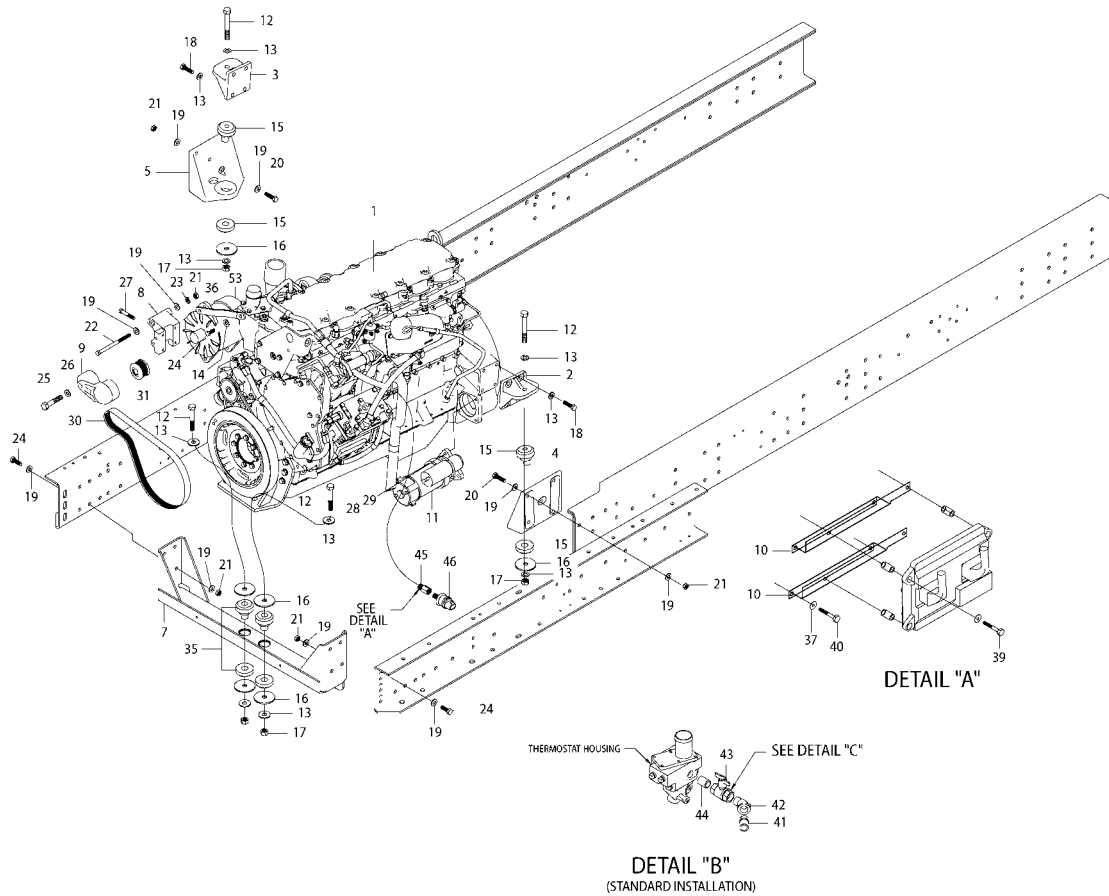
Key	PartNumber	Qty	Description	Comment
1			ENGINE ASSEMBLY	SUPPLIED BY CATERPILLAR
2	1930353		CASTING,BELLHOUSING,CAT 3126,RH, HDRE	
3	1930361		CASTING,BELLHOUSING,CAT 3126,LH,HDRE	
4	1930205		CASTING,FRAME,REAR ENGINE,RH,HDRE	
5	1944081		CASTING,FRAME,REAR ENGINE,LH,HDRE	
6	0064231		TUBE,STL,RD,.500X.384X1.13	
7	0064255		CROSSMEMBER ASSY,MTG,FRT ENG,CAT C-7,	
8	1440486		CASTING,ALTERNATOR,AAARE	WITH FEATURE 40134
9	1450261		BELT TENSIONER ASSY.,AAFC/RE	WITH FEATURE 40134
10	0064238	2	BRACKET ASSY,MTG,ENG MODULE,CAT C-7	
11	1935485		STARTER,ENGINE,DENSO,428000-1610,12V,	
12	1631068	4	CAPSCREW,HX HD,5/8-11 X 4 1/2,GR8,	
13	0929018	14	WASHER,FLAT,21/32 X 1 1/8 X 3/32,HDN,YEL	
14	0850776		WASHER,FLAT,17/32 X 1 1/16 X 3/32,	WITH FEATURE 40134
15	1935386	2	ISOLATOR,BARRY,NON-ARMORED	
16	1966332	6	WASHER,FLAT,.656IDX3.00 ODX.187THK,	
17	0939827	4	NUT,HEX HD,5/8-11,GR 8,LOCK,CADMIUM WAX	
18	0997775	8	CAPSCREW,HX HD,M14-2.0X35,CL10.9,	
19	1003045	38	WASHER,FLAT,17/32 X 1 1/16 X 7/64,HDN,	
20	0803148	8	CAPSCREW,HEX HD,1/2-13 X 1 3/4,GR8,	
21	0850800	24	NUT,HEX HD,1/2-13,LOCKING,GR 8,CAD WAX	
22	1003086		CAPSCREW,HEX HD,1/2-13 X6 1/2,GR8,	
23	0990655		LOCKWASHER,SPLIT RING, 1/2 ,MED,YEL ZN	
24	0803239	7	CAPSCREW,HEX HD,1/2-13 X1 1/2,GR8	
25	1248764		CAPSCREW,HEX HD,3/8-16 X 3,FULL THD,GR 5,	
26	1107085		WASHER,FLAT,13/32 X 13/16 X 3/32,HDN,BLK	
27	0997767	4	CAPSCREW,HX HD,M8-1.25X40,CL10.9,	
28	0997734	3	CAPSCREW,HX HD,M10-1.5X35,CL10.9,	
29	1394675	3	LOCKWASHER,SPLIT RING,10 MM,MED,OLV DRB	
30	1454628		BELT,POLY VEE,8V X 51.00 LONG,GATES	WITH FEATURE 40134
31	1454669		PULLEY,ALTERNATOR,2.37 DIA X 8 VEE	WITH FEATURE 40134
32	0081575		MANIFOLD,ASSY,OIL PRESS,CAT C7, HDRE	
33	0870477	2	CAPSCREW,HEX HD,1/4-20 X 1,GR 8,YEL ZN	

**Models:** A3RE  
 CAT C7  
**With Features:** FEATURE 40187-09, -10, -11, -12, -13  
**BSN:** From CSN F10181005 (11-01-04)  
 To CSN F10186269 (01/09/05)

Key	PartNumber	Qty	Description	Comment
34	0659979	2	NUT,HEX,FLANGE SER,1/4-20,BLACK ZINC	
35	1982586	2	ISOLATOR,BARRY,ARMORED	
36	0014043		BRACE,ALTERNATOR,CAT 3126B	WITH FEATURE 40134
37	1167485	4	WASHER,FLAT,11/32 X 11/16 X 5/64,HDN,BLK	
38	1932326		ELBOW,9/16 O-RING - 1/4JIC(37),TF5515X4X6	9/16 ORING - 1/4JIC37, TF5515 X 4 X 6
39	1085604	4	CAPSCREW,HEX HD,5/16-18X1 3/4,GR8,	
40	0997759	4	CAPSCREW,HX HD,M8-1.25X25,CL10.9,	
41	0315200		ADAPTER,HTR,3/4 PIPE X 1 HOSE	
42	2009272		ELBOW,STREET,3/4 45 DEG,GALV	
43	1626431		VALVE,BALL,3/4,W/BUTTERFLY HANDLE	
44	2009504		NIPPLE,PIPE,3/4 X CLOSE,GALV	

**Models:** A3RE  
**CAT C7**  
**With Features:** FEATURE 40187-09, -10, -11, -12, -13  
**BSN:** From CSN F10186270 (01/10/05)

Key	PartNumber	Qty	Description	Comment
-----	------------	-----	-------------	---------



**Models:** A3RE  
**CAT C7**  
**With Features:** FEATURE 40187-09, -10, -11, -12, -13  
**BSN:** From CSN F10186270 (01/10/05)

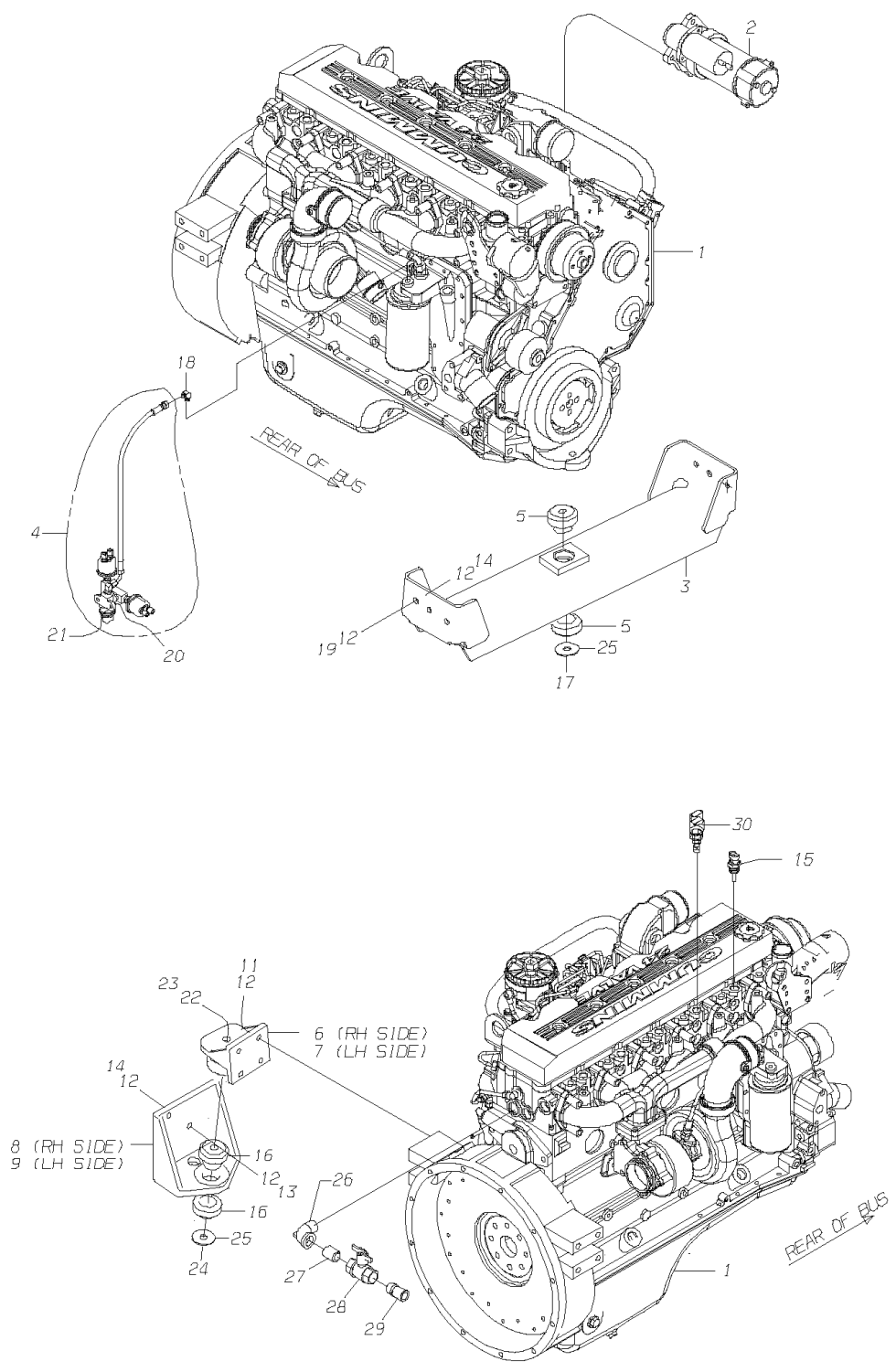
Key	PartNumber	Qty	Description	Comment
1			ENGINE ASSEMBLY	<i>Supplied By Caterpillar</i>
2	1930353		CASTING,BELLHOUSING,CAT 3126,RH, HDRE	
3	1930361		CASTING,BELLHOUSING,CAT 3126,LH,HDRE	
4	1930205		CASTING,FRAME,REAR ENGINE,RH,HDRE	
5	1944081		CASTING,FRAME,REAR ENGINE,LH,HDRE	
6	0064231		TUBE,STL,RD,.500X.384X1.13	
7	0064255		CROSSMEMBER ASSY,MTG,FRT ENG,CAT C-7,	
8	1440486		CASTING,ALTERNATOR,AARE	<i>Feature 40134. Ending With CSN F0247709.</i>
8	0104430		BRACKET,ALTERNATOR,CASTING	<i>Feature 40134. Begin With CSN F0247710.</i>
9	1450261		BELT TENSIONER ASSY.,AAFC/RE	<i>Feature 40134</i>
9	0109122		TENSIONER,BELT,POLY V,BITZER A/C COMP	<i>Feature 30006-13</i>
10	0064238	2	BRACKET ASSY,MTG,ENG MODULE,CAT C-7	
11	1935485		STARTER,ENGINE,DENSO,428000-1610,12V,	
12	1631068	4	CAPSCREW,HX HD,5/8-11 X 4 1/2,GR8,	
13	0929018	14	WASHER,FLAT,21/32 X 1 1/8 X 3/32,HDN,YEL	
14	0850776		WASHER,FLAT,17/32 X 1 1/16 X 3/32,	<i>Feature 40134</i>
15	1935386	2	ISOLATOR,BARRY,NON-ARMORED	
16	1966332	6	WASHER,FLAT,.656IDX3.00 ODX.187THK,	
17	0939827	4	NUT,HEX HD,5/8-11,GR 8,LOCK,CADMIUM WAX	
18	0997775	8	CAPSCREW,HX HD,M14-2.0X35,CL10.9,	
19	1003045	38	WASHER,FLAT,17/32 X 1 1/16 X 7/64,HDN,	
20	0803148	8	CAPSCREW,HEX HD,1/2-13 X 1 3/4,GR8,	
21	0850800	24	NUT,HEX HD,1/2-13,LOCKING,GR 8,CAD WAX	
22	1003086		CAPSCREW,HEX HD,1/2-13 X6 1/2,GR8,	
23	0990655		LOCKWASHER,SPLIT RING, 1/2 ,MED,YEL ZN	
24	0803239	7	CAPSCREW,HEX HD,1/2-13 X1 1/2,GR8	
25	1248764		CAPSCREW,HEX HD,3/8-16 X 3,FULL THD,GR 5,	
26	1107085		WASHER,FLAT,13/32 X 13/16 X 3/32,HDN,BLK	
27	0997767	4	CAPSCREW,HX HD,M8-1.25X40,CL10.9,	
28	0997734	3	CAPSCREW,HX HD,M10-1.5X35,CL10.9,	
29	1394675	3	LOCKWASHER,SPLIT RING,10 MM,MED,OLV DRB	
30	1454628		BELT,POLY VEE,8V X 51.00 LONG,GATES	<i>Feature 40134</i>
31	1454669		PULLEY,ALTERNATOR,2.37 DIA X 8 VEE	<i>Feature 40134</i>

**Models:** A3RE  
**CAT C7**  
**With Features:** FEATURE 40187-09, -10, -11, -12, -13  
**BSN:** From CSN F10186270 (01/10/05)

Key	PartNumber	Qty	Description	Comment
31	1786870		PULLEY,ALTERNATOR,8 GROOVE,JOHN DEERE	<i>Feature 40134 With Feature 30006-13</i>
32	0081575		MANIFOLD,ASSY,OIL PRESS,CAT C7, HDRE	
33	0870477	2	CAPSCREW,HEX HD,1/4-20 X 1,GR 8,YEL ZN	
34	0659979	2	NUT,HEX,FLANGE SER,1/4-20,BLACK ZINC	
35	1982586	2	ISOLATOR,BARRY,ARMORED	
36	0014043		BRACE,ALTERNATOR,CAT 3126B	<i>Feature 40134</i>
37	1167485	4	WASHER,FLAT,11/32 X 11/16 X 5/64,HDN,BLK	
38	1932326		ELBOW,9/16 O-RING - 1/4JIC(37),TF5515X4X6	
39	1085604	4	CAPSCREW,HEX HD,5/16-18X1 3/4,GR8,	
40	0997759	4	CAPSCREW,HX HD,M8-1.25X25,CL10.9,	
41	0315200		ADAPTER,HTR,3/4 PIPE X 1 HOSE	
42	2009272		ELBOW,STREET,3/4 45 DEG,GALV	
43	1626431		VALVE,BALL,3/4,W/BUTTERFLY HANDLE	
44	2009504		NIPPLE,PIPE,3/4 X CLOSE,GALV	
45	0081598		ADAPTER,STRAIGHT,#6 SAE ORING X 1/4	
46	1916436		PRESSURESTAT,6 PSI,NORMALLY CLOSED	
47	0052902		BELT GUARD ASSY,CAT AND CUMMINS,C4RE	<i>Feature 40172-01</i>
48	1053867		BOOT,TERMINAL,JULIAN ELECTRIC 39HA0603	
53	0086348		ALTERNATOR,ENG,L-N,175A,12V,REM REG,J180	<i>Feature 40133-03</i>
53	0102485		ALTERNATOR,ENG,L-N,185A,12V,REM REG,J180	<i>Feature 40134-06</i>
53	0086349		ALTERNATOR,ENG,L-N,270A,12V,REM REG,J180	<i>Feature 40134-04</i>
53	0086350		ALTERNATOR,ENG,L-N,320A,12V,REM REG,J180	<i>Feature 40134-05</i>

**Models:** A3RE  
**CUMMINS ISB**  
**With Features:** FEATURE 40177

Key	PartNumber	Qty	Description	Comment
-----	------------	-----	-------------	---------



**Models:** A3RE  
**CUMMINS ISB**  
**With Features:** FEATURE 40177

Key	PartNumber	Qty	Description	Comment
1		1	ENGINE ASSEMBLY	SUPPLIED BY VENDOR
NI	0043362		BRACE,AIR COMPRESSOR,ISB	BEGIN WITH 08-30-01 TO 11-01-01
NI	0005419	1	BELT,CUMMINS,9800 ALT MT,3922562,ISB,RE	
NI	0044225	1	FILTER,ENGINE,OIL,CUMN 5.9ISB	
2	1967561	1	STARTER,DENSO,228000-7301,12V,CUMN	
3	0006751	1	CROSSMEMBER ASSY,MTG,FRT ENG,CUMN ISB,	
4	1980127		MANIFOLD ASSY,OIL PRESS,VDO DASH,	ENDING WITH CSN 10043415
4	0020511		MANIFOLD ASSY,OIL PRESS,VDO DASH,	BEGIN WITH CSN, 10043416
NI	1947431		SENDER,OIL PRESSURE,0-150 PSI	PART OF ITEM 4
NI	0016277		PRESSURESTAT,9 PSI,NORMALLY CLOSED	BEGIN WITH CSN 10043416 PART OF ITEM 4
NI	1947696		HOSE ASSY,14504U604664A0	PART OF ITEM 4
NI	2008241		ELBOW,MALE,1/4 TUBE X 1/8 PIPE	PART OF ITEM 4
NI	1153303		ELBOW,ANCHOR,1/4 FPT,90 DEG,BENDIX	PART OF ITEM 4
NI	2008050		BUSHING,PIPE,1/8 TO 1/4,BRASS	PART OF ITEM 4
NI	0559047		TEE,MALE,BRANCH,1/4 PIPE,3600X4	PART OF ITEM 4
5	1982594	1	ISOLATOR,BARRY,ARMORED	FEATURE 40421-01
5	1982586	1	ISOLATOR,BARRY,ARMORED	FEATURE 40422-01, 40422-02, 40426-01
6	0001756	1	CASTING ASSY,BELLHOUSING,CUMN ISB,RH	
7	0002252	1	CASTING ASSY,BELLHOUSING,CUMN,ISB,LH,	
8	1930205	1	CASTING,FRAME,REAR ENGINE,RH,HDRE	
9	1944081	1	CASTING,FRAME,REAR ENGINE,LH,HDRE	
11	1660984	8	CAPSCREW,HEX HD M12-1.75 X 30MM,GR 10.9	
12	1003045	40	WASHER,FLAT,17/32 X 1 1/16 X 7/64,HDN,	
13	0803148	10	CAPSCREW,HEX HD,1/2-13 X 1 3/4,GR8,	
14	0850800	16	NUT,HEX HD,1/2-13,LOCKING,GR 8,CAD WAX	
15	0007733	1	SENDER,WATER TEMPERATURE,1/2 PIPE,250	
16	1935378	2	ISOLATOR,BARRY,NON-ARMORED	FEATURE 40421-01
16	1935386	2	ISOLATOR,BARRY,NON-ARMORED	FEATURE 40422-01, 40422-02, 40426-01
17	1935899	1	CAPSCREW,HEX HD,M16-2.00 X 90MM,GR 10.9	
18	2008241	1	ELBOW,MALE,1/4 TUBE X 1/8 PIPE	
19	0803239	6	CAPSCREW,HEX HD,1/2-13 X1 1/2,GR8	
20	0870477	2	CAPSCREW,HEX HD,1/4-20 X 1,GR 8,YEL ZN	

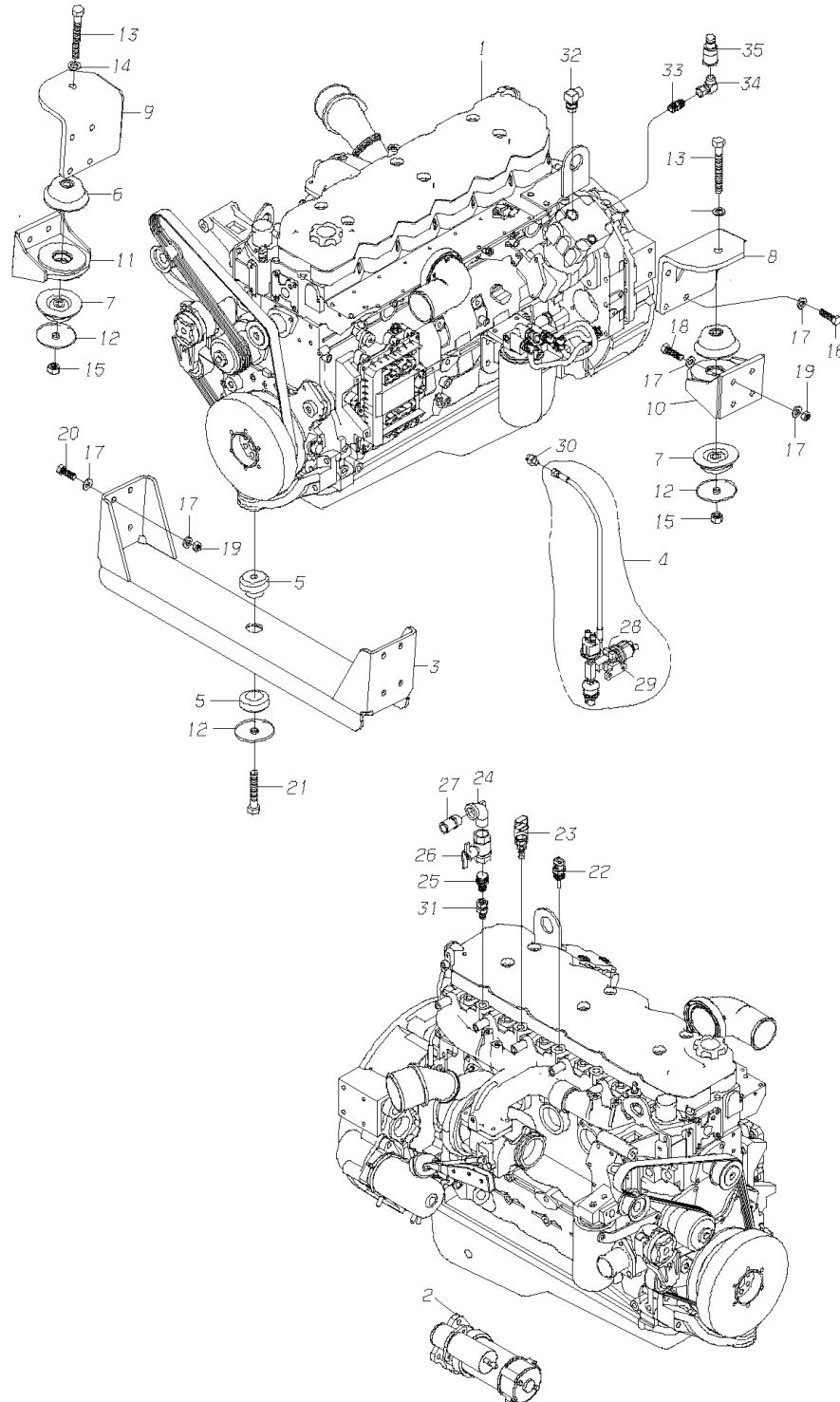
**Models:** A3RE  
**CUMMINS ISB**  
**With Features:** FEATURE 40177

Key	PartNumber	Qty	Description	Comment
21	0659979	2	NUT,HEX,FLANGE SER,1/4-20,BLACK ZINC	
22	0929018	2	WASHER,FLAT,21/32 X 1 1/8 X 3/32,HDN,YEL	
23	1946037	2	CAPSCREW,HEX HD,5/8-11 X 5 1/4,GR8,YEL	
24	0939827	2	NUT,HEX HD,5/8-11,GR 8,LOCK,CADMIUM WAX	
25	0617902	3	WASHER,FLAT,REAR ENGINE MTG,YEL ZN DICH	
26	0760249	1	ELBOW,STREET,3/4,90 DEG,GALV	
27	2009504	1	NIPPLE,PIPE,3/4 X CLOSE,GALV	
28	1626431	1	VALVE,BALL,3/4,W/BUTTERFLY HANDLE	
NI	0315200	1	ADAPTER,HTR,3/4 PIPE X 1 HOSE	
NI	1819325	1	ALARMSTAT,215 DEGREE,METRI-PACK,KYSOR	



**Models:** A3RE  
**CUMMINS ISB-E**  
**With Features:** FEATURE 40177-04 WITH 40361-01

Key	PartNumber	Qty	Description	Comment
-----	------------	-----	-------------	---------



**Models:** A3RE  
**CUMMINS ISB-E**  
**With Features:** FEATURE 40177-04 WITH 40361-01

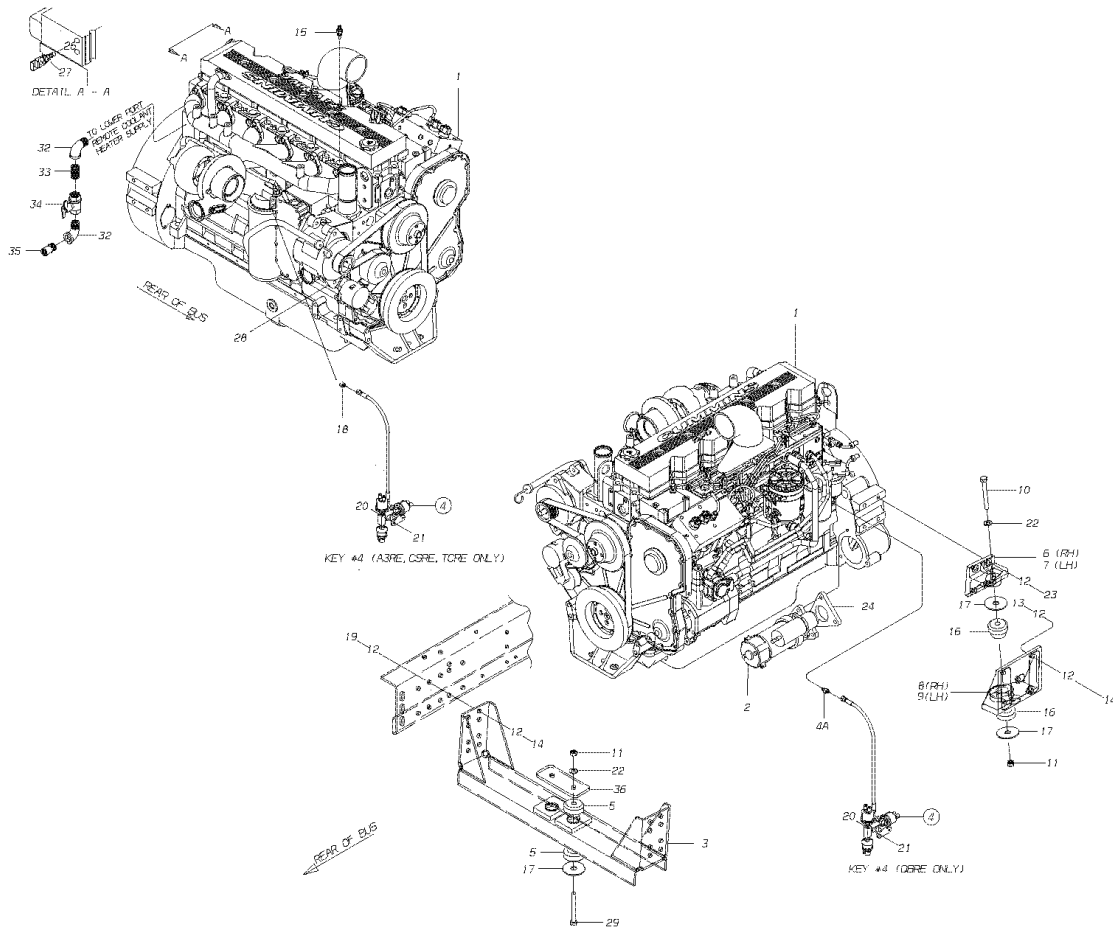
Key	PartNumber	Qty	Description	Comment
1	0039456	1	ENGINE ASSY,CUMN ISB-E,220HP/605,#2,AIR,	
NI	0044916	1	FILTER,ENGINE,OIL,CUMN 5.9ISB-E,RHD,UK	
NI	0005419	1	BELT,CUMMINS,9800 ALT MT,3922562,ISB,RE	
2	0042435	1	STARTER,DENSO,428000-0190,12V,CUMN	
3	0042603	1	CROSSMEMBER,MTG,ENGINE,FRONT,CUMN	
4	0020511	1	MANIFOLD ASSY,OIL PRESS,VDO DASH,	CONSISTS OF THE FOLLOWING
NI	1947696	1	HOSE ASSY,14504U604664A0	PART OF ITEM 4
NI	2008241	1	ELBOW,MALE,1/4 TUBE X 1/8 PIPE	PART OF ITEM 4
NI	1947431	2	SENDER,OIL PRESSURE,0-150 PSI	PART OF ITEM 4
NI	1153303	1	ELBOW,ANCHOR,1/4 FPT,90 DEG,BENDIX	PART OF ITEM 4
NI	2008050	3	BUSHING,PIPE,1/8 TO 1/4,BRASS	PART OF ITEM 4
NI	0559047	2	TEE,MALE,BRANCH,1/4 PIPE,3600X4	PART OF ITEM 4
NI	0016277	1	PRESSURESTAT,9 PSI,NORMALLY CLOSED	PART OF ITEM 4
5	0043713	1	ISOLATOR,MOTOR MOUNT,BARRY 26318-3	
6	0043712	1	ISOLATOR,MOTOR MOUNT,UPR HALF,BARRY	
7	0043711	1	ISOLATOR,MOTOR MOUNT,LWR HALF,BARRY	
8	0044727	1	BRACKET ASSY,MTG,ENGINE,B/HSG,RH,ISB-E,	
9	0044728	1	BRACKET ASSY,MTG,ENGINE,B/HSG,LH,ISB-E,	
10	0044716	1	BRACKET ASSY,MTG,ENGINE,RR,FRM,RH,ISB-E,	
11	0044722	1	BRACKET ASSY,MTG,ENGINE,RR,FRM,LH,ISB-E,	
12	0043186	3	WASHER,FLAT,.656X3.50X.187THK,YEL ZN	
13	1022805	2	CAPSCREW,HEX HD,5/8-11 X 5,GR 8,YEL ZN	
14	0929018	2	WASHER,FLAT,21/32 X 1 1/8 X 3/32,HDN,YEL	
15	0939827	2	NUT,HEX HD,5/8-11,GR 8,LOCK,CADMIUM WAX	
16	1660984	8	CAPSCREW,HEX HD M12-1.75 X 30MM,GR 10.9	
17	1003045	40	WASHER,FLAT,17/32 X 1 1/16 X 7/64,HDN,	
18	0803148	8	CAPSCREW,HEX HD,1/2-13 X 1 3/4,GR8,	
19	0850800	16	NUT,HEX HD,1/2-13,LOCKING,GR 8,CAD WAX	
20	0803239	8	CAPSCREW,HEX HD,1/2-13 X1 1/2,GR8	
21	0044493	1	CAPSCREW,HEX HD,M16-2.00 X 75MM,GR 10.9	
22	0007733	1	SENDER,WATER TEMPERATURE,1/2 PIPE,250	
23	1819325	1	ALARMSTAT,215 DEGREE,METRI-PACK,KYSOR	
24	0760249	1	ELBOW,STREET,3/4,90 DEG,GALV	

**Models:** A3RE  
**CUMMINS ISB-E**  
**With Features:** FEATURE 40177-04 WITH 40361-01

Key	PartNumber	Qty	Description	Comment
25	2009504	1	NIPPLE,PIPE,3/4 X CLOSE,GALV	
26	1626431	1	VALVE,BALL,3/4,W/BUTTERFLY HANDLE	
27	0315200	1	ADAPTER,HTR,3/4 PIPE X 1 HOSE	
28	0659979	2	NUT,HEX,FLANGE SER,1/4-20,BLACK ZINC	
29	0870477	2	CAPSCREW,HEX HD,1/4-20 X 1,GR 8,YEL ZN	
30	0044127	1	ADAPTER,MC5315 X 4 X 14	

**Models:** A3RE, QBRE  
**CUMMINS ISC**  
**With Features:** FEATURE 40184-01 THRU -06 WITH 40422-01,-02 OR 40426-01,-02

Key	PartNumber	Qty	Description	Comment
-----	------------	-----	-------------	---------



**Models:** A3RE, QBRE  
**CUMMINS ISC**  
**With Features:** FEATURE 40184-01 THRU -06 WITH 40422-01,-02 OR 40426-01,-02

Key	PartNumber	Qty	Description	Comment
1			ENGINE ASSEMBLY	SUPPLIED BY VENDOR
NI	0017194		BELT,ALT,CUMN,8.3, ISCA3RE 3926856	
NI	0009424		FILTER,FULL FLOW OIL,LF9009	
2	1935477		STARTER,DENSO,228000-5311,12V,8.3/ISC	
3	1997154		CROSSMEMBER ASSY,ENG MTG,FRONT,ISC,	
4	1980127		MANIFOLD ASSY,OIL PRESS,VDO DASH,	QBRE ONLY,. ENDING WITH CSN F30043334
4	0019514		MANIFOLD ASSY,OIL PRESS,VDO DASH,ISC,	QBRE ONLY. BEGIN WITH CSN F30043335
4	0020510		MANIFOLD ASSY,OIL PRESS,VDO DASH,	A3RE. ENDING WITH CSN F10069019
4	0081565		MANIFOLD,ASSY,OIL PRESS,CUMMINS ISC,	A3RE. BEGIN WITH CSN F10069020
NI	1947431		SENDER,OIL PRESSURE,0-150 PSI	
4A	1955483	10	ADAPTER,O-RING,WEATHERHEAD,	
5	1982586		ISOLATOR,BARRY,ARMORED	
6	0001751		MOUNT ASSY,ENGINE,ISC,RH,CS/QB/TCRE	CSRE, QBRE, TCRE ONLY
6	1930379		CASTING,BELLHOUSING,CUMMINS ISC,RH,	A3RE ONLY
7	0001752		MOUNT ASSY,ENGINE,ISC,LH,CS/QB/TCRE	CSRE, QBRE, TCRE ONLY
7	1930288		CASTING,BELLHOUSING,CUMMINS ISC,LH,	A3RE ONLY
8	1930205		CASTING,FRAME,REAR ENGINE,RH,HDRE	
9	1944081		CASTING,FRAME,REAR ENGINE,LH,HDRE	
10	1631068	2	CAPSCREW,HX HD,5/8-11 X 4 1/2,GR8,	
	1946037	2	CAPSCREW,HEX HD,5/8-11 X 5 1/4,GR8,YEL	
11	0939827	2	NUT,HEX HD,5/8-11,GR 8,LOCK,CADMIUM WAX	
12	1003045	40	WASHER,FLAT,17/32 X 1 1/16 X 7/64,HDN,	
13	0803148	8	CAPSCREW,HEX HD,1/2-13 X 1 3/4,GR8,	
14	0850800	16	NUT,HEX HD,1/2-13,LOCKING,GR 8,CAD WAX	
15	1945567		SENDER,WATER TEMP,1/2 PIPE,250 DEG F	A3RE
15	1078781		SENDER,WATER TEMP,1/2 PIPE, CUMMINS	QBRE ONLY
16	1935386		ISOLATOR,BARRY,NON-ARMORED	
16	0023692		ISOLATOR,BARRY,ARMORED	FEATURE 40422-02, 40431-02, 40423-02, 40424-02
17	1966332		WASHER,FLAT,.656IDX3.00 ODX.187THK,	
18	2008241		ELBOW,MALE,1/4 TUBE X 1/8 PIPE	
19	0803239	8	CAPSCREW,HEX HD,1/2-13 X1 1/2,GR8	

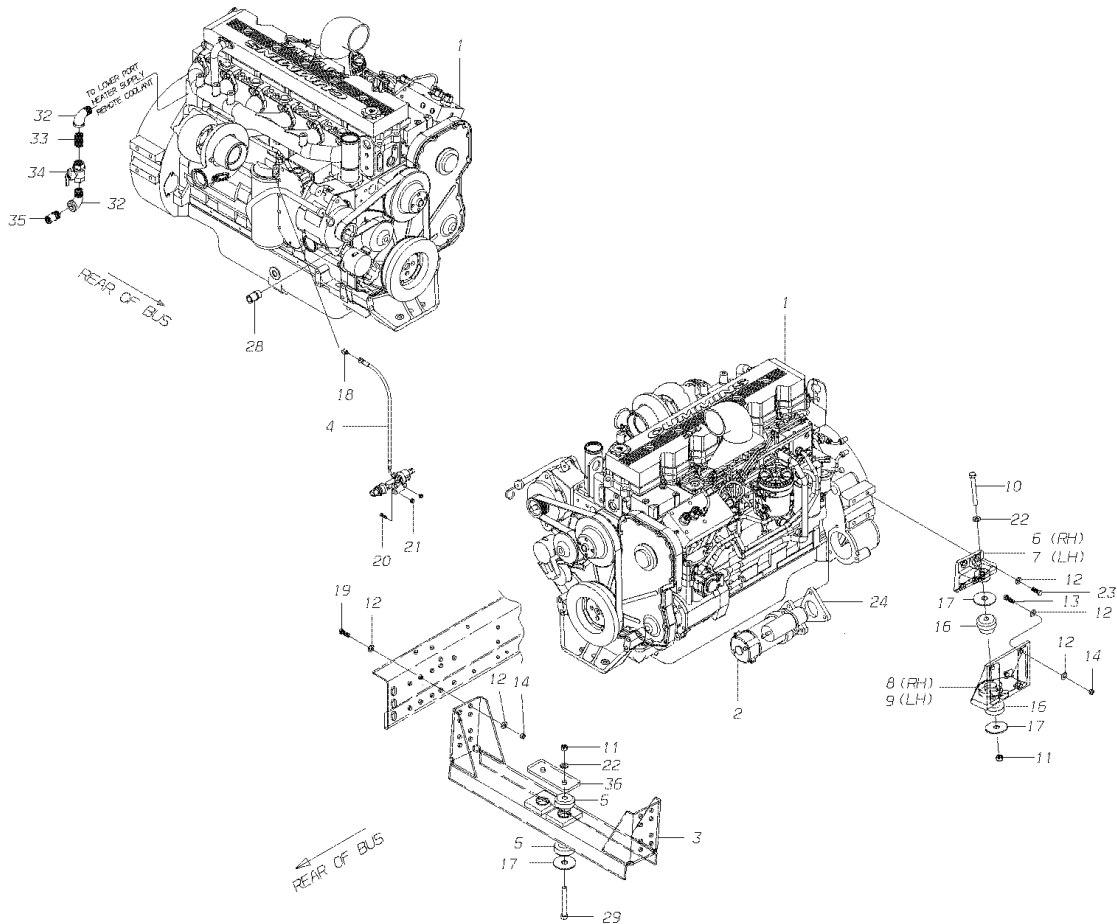
**Models:** A3RE, QBRE  
CUMMINS ISC

**With Features:** FEATURE 40184-01 THRU -06 WITH 40422-01,-02 OR 40426-01,-02

Key	PartNumber	Qty	Description	Comment
21	0659979		NUT,HEX,FLANGE SER,1/4-20,BLACK ZINC	
22	0929018	4	WASHER,FLAT,21/32 X 1 1/8 X 3/32,HDN,YEL	
23	1660984		CAPSCREW,HEX HD M12-1.75 X 30MM,GR 10.9	
24	1301910		SPACER,STRTR,12MM,SM 9009,8.3TA	
26	2009074		BUSHING,PIPE,GALV,1/2 X 3/4	
27	1282714		ALARMSTAT,215 DEG	
28	0315200		ADAPTER,HTR,3/4 PIPE X 1 HOSE	
29	1804681	2	CAPSCREW,HEX HD,1/2-13X4.50,GD8,YEL DICH	
29	1631068	2	CAPSCREW,HX HD,5/8-11 X 4 1/2,GR8,	
30	1003045	4	WASHER,FLAT,17/32 X 1 1/16 X 7/64,HDN,	
31	0850800	2	NUT,HEX HD,1/2-13,LOCKING,GR 8,CAD WAX	
32	0760249		ELBOW,STREET,3/4,90 DEG,GALV	
33	2009504		NIPPLE,PIPE,3/4 X CLOSE,GALV	
34	1626431		VALVE,BALL,3/4,W/BUTTERFLY HANDLE	
35	0315200		ADAPTER,HTR,3/4 PIPE X 1 HOSE	
36	1972728		SPACER,3.00 X 7.50 X .38 THICK	

**Models:** A3RE  
**CUMMINS ISC (EXPORT)**  
**With Features:** FEATURE 40184

Key	PartNumber	Qty	Description	Comment
-----	------------	-----	-------------	---------



**Models:** A3RE  
**CUMMINS ISC (EXPORT)**  
**With Features:** FEATURE 40184

Key	PartNumber	Qty	Description	Comment
1	1939628		ENGINE ASSY,CUMN ISC,260HP/660,#2,WT, RE	FEATURE 40184-03
1	1939636		ENGINE ASSY,CUMN ISC,285HP/800,#2,WT, RE	FEATURE 40184-05
2	1935477		STARTER,DENSO,228000-5311,12V,8.3/ISC	
3	1997154		CROSSMEMBER ASSY,ENG MTG,FRONT,ISC,	
4	0081565		MANIFOLD,ASSY,OIL PRESS,CUMMINS ISC,	CUMMINS ISC. BEGIN WITH CSN F10069020
5	1982586		ISOLATOR,BARRY,ARMORED	
6	0001751		MOUNT ASSY,ENGINE,ISC,RH,CS/QB/TCRE	
	1930379		CASTING,BELLHOUSING,CUMMINS ISC,RH,	
7	0001752		MOUNT ASSY,ENGINE,ISC,LH,CS/QB/TCRE	
	1930288		CASTING,BELLHOUSING,CUMMINS ISC,LH,	
8	1930205		CASTING,FRAME,REAR ENGINE,RH,HDRE	
9	1944081		CASTING,FRAME,REAR ENGINE,LH,HDRE	
10	1946037		CAPSCREW,HEX HD,5/8-11 X 5 1/4,GR8,YEL	
11	0939827		NUT,HEX HD,5/8-11,GR 8,LOCK,CADMIUM WAX	
12	1003045		WASHER,FLAT,17/32 X 1 1/16 X 7/64,HDN,	
13	0803148		CAPSCREW,HEX HD,1/2-13 X 1 3/4,GR8,	
14	0850800		NUT,HEX HD,1/2-13,LOCKING,GR 8,CAD WAX	
16	1935386		ISOLATOR,BARRY,NON-ARMORED	FEATURE 40432-04,-06,-10,-12. NON-ARMORED
16	0023692		ISOLATOR,BARRY,ARMORED	FEATURE 40432-05,-07,-11,-13. ARMORED
17	1966332		WASHER,FLAT,.656IDX3.00 ODX.187THK,	
18	2008241		ELBOW,MALE,1/4 TUBE X 1/8 PIPE	
19	0803239		CAPSCREW,HEX HD,1/2-13 X1 1/2,GR8	
20	0870477		CAPSCREW,HEX HD,1/4-20 X 1,GR 8,YEL ZN	
21	0659979		NUT,HEX,FLANGE SER,1/4-20,BLACK ZINC	
22	0929018		WASHER,FLAT,21/32 X 1 1/8 X 3/32,HDN,YEL	
23	1660984		CAPSCREW,HEX HD M12-1.75 X 30MM,GR 10.9	
24	1301910		SPACER,STRTR,12MM,SM 9009,8.3TA	
28	0315200		ADAPTER,HTR,3/4 PIPE X 1 HOSE	
29	1631068		CAPSCREW,HX HD,5/8-11 X 4 1/2,GR8,	
32	0760249		ELBOW,STREET,3/4,90 DEG,GALV	
33	2009504		NIPPLE,PIPE,3/4 X CLOSE,GALV	
34	1626431		VALVE,BALL,3/4,W/BUTTERFLY HANDLE	

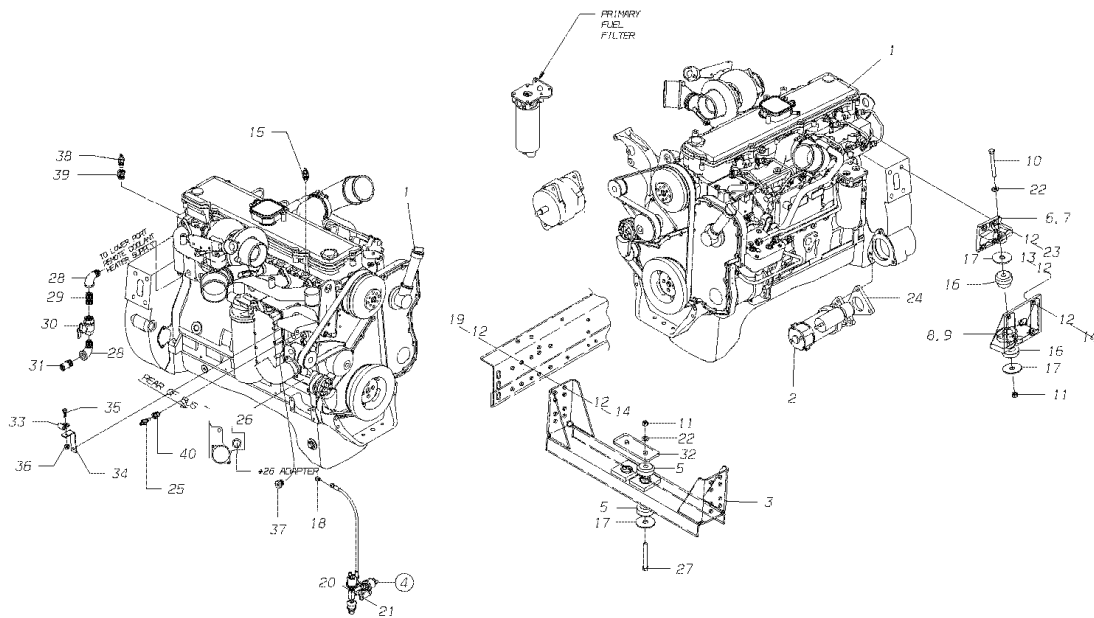


**Models:** A3RE  
**CUMMINS ISC (EXPORT)**  
**With Features:** FEATURE 40184

Key	PartNumber	Qty	Description	Comment
35	0315200		ADAPTER,HTR,3/4 PIPE X 1 HOSE	
36	1972728		SPACER,3.00 X 7.50 X .38 THICK	

**Models:** A3RE  
**CUMMINS ISC03**  
**With Features:** FEATURE 40184 WITH 40134 OR 40280-10  
 To CSN 10181430 (10-31-04)

Key	PartNumber	Qty	Description	Comment
-----	------------	-----	-------------	---------



**Models:** A3RE  
**CUMMINS ISC03**  
**With Features:** FEATURE 40184 WITH 40134 OR 40280-10  
 To CSN 10181430 (10-31-04)

Key	PartNumber	Qty	Description	Comment
1			ENGINE ASSEMBLY	
2	1935477		STARTER,DENSO,228000-5311,12V,8.3/ISC	
3	1997154		CROSSMEMBER ASSY,ENG MTG,FRONT,ISC,	
4	0020510		MANIFOLD ASSY,OIL PRESS,VDO DASH,	
5	1982586	2	ISOLATOR,BARRY,ARMORED	
6	1930379		CASTING,BELLHOUSING,CUMMINS ISC,RH,	
7	1930288		CASTING,BELLHOUSING,CUMMINS ISC,LH,	
8	1930205		CASTING,FRAME,REAR ENGINE,RH,HDRE	
9	1944081		CASTING,FRAME,REAR ENGINE,LH,HDRE	
10	1946037	2	CAPSCREW,HEX HD,5/8-11 X 5 1/4,GR8,YEL	
11	0939827	4	NUT,HEX HD,5/8-11,GR 8,LOCK,CADMIUM WAX	
12	1003045	46	WASHER,FLAT,17/32 X 1 1/16 X 7/64,HDN,	
13	0803148	8	CAPSCREW,HEX HD,1/2-13 X 1 3/4,GR8,	
14	0850800	16	NUT,HEX HD,1/2-13,LOCKING,GR 8,CAD WAX	
15	1945567		SENDER,WATER TEMP,1/2 PIPE,250 DEG F	
16	1935386		ISOLATOR,BARRY,NON-ARMORED	
16	0023692		ISOLATOR,BARRY,ARMORED	WITH FEATURE 40422-02, 40431-02, 04023-02, 40424-02
17	1966332	6	WASHER,FLAT, .656IDX3.00 ODX.187THK,	
18	2008241		ELBOW,MALE,1/4 TUBE X 1/8 PIPE	
19	0803239	8	CAPSCREW,HEX HD,1/2-13 X1 1/2,GR8	
20	0870477	2	CAPSCREW,HEX HD,1/4-20 X 1,GR 8,YEL ZN	
21	0659979	2	NUT,HEX,FLANGE SER,1/4-20,BLACK ZINC	
22	0929018	4	WASHER,FLAT,21/32 X 1 1/8 X 3/32,HDN,YEL	
23	1660984	8	CAPSCREW,HEX HD M12-1.75 X 30MM,GR 10.9	
24	1301910		SPACER,STRTR,12MM,SM 9009,8.3TA	
25	1054378		ALARMSTAT,HIGH TEMP,KYSOR	
26	0315200		ADAPTER,HTR,3/4 PIPE X 1 HOSE	
27	1631068	2	CAPSCREW,HX HD,5/8-11 X 4 1/2,GR8,	
28	0760249	2	ELBOW,STREET,3/4,90 DEG,GALV	
29	2009504		NIPPLE,PIPE,3/4 X CLOSE,GALV	
30	1626431		VALVE,BALL,3/4,W/BUTTERFLY HANDLE	
31	0315200		ADAPTER,HTR,3/4 PIPE X 1 HOSE	
32	1972728		SPACER,3.00 X 7.50 X .38 THICK	

**Models:** A3RE

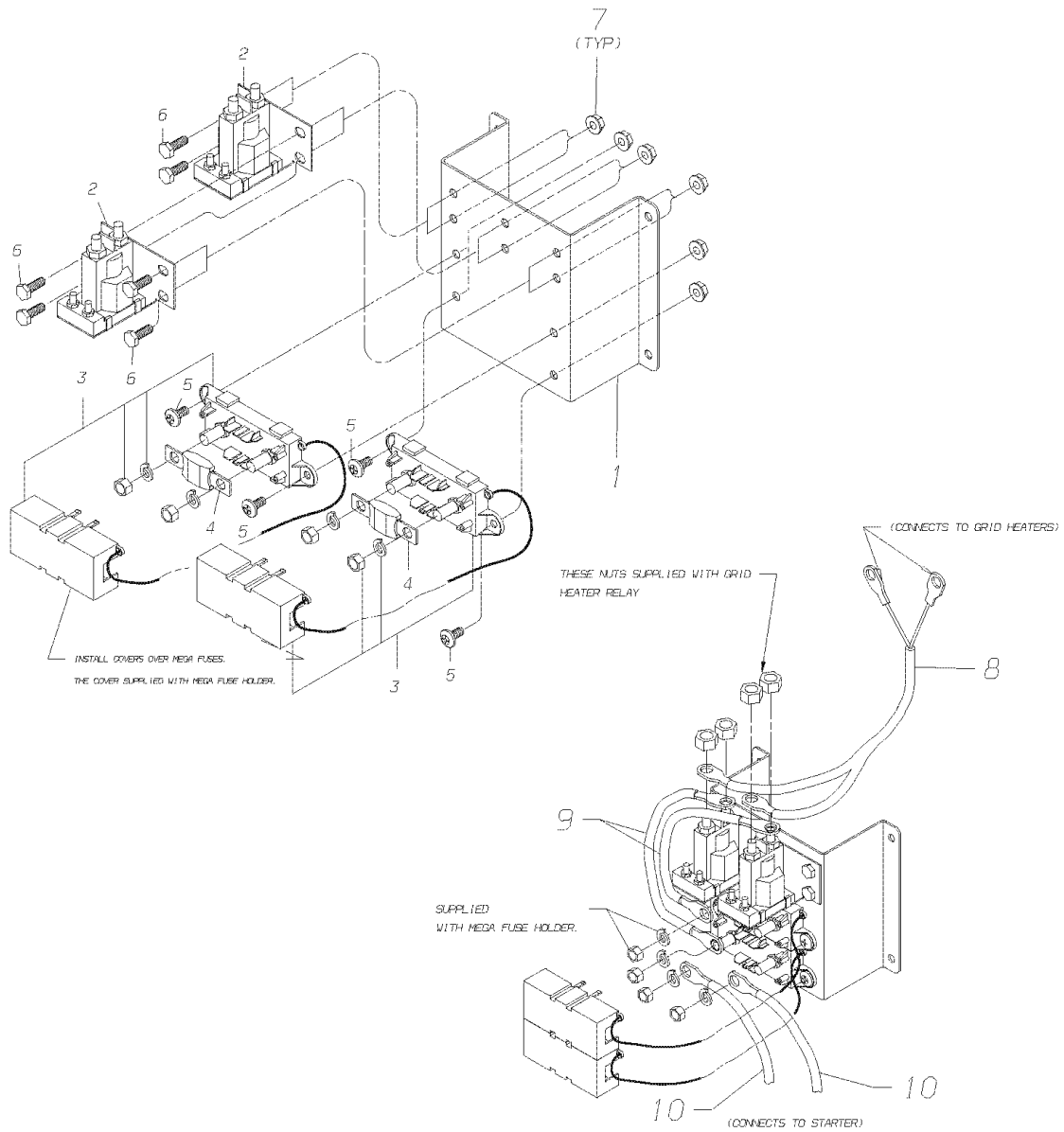
**CUMMINS ISC03**

**With Features:** FEATURE 40184 WITH 40134 OR 40280-10  
To CSN 10181430 (10-31-04)

Key	PartNumber	Qty	Description	Comment
33	0854612		CLAMP,LOOP,.500	
34	1317247		BRACKET,ATCH,BRAKE LINE TO FRAME	
35	0559195		CAPSCREW,HEX HD,3/8-16 X 1,GR 8,YEL ZN	
36	2171809		NUT,HEX HD,3/8-16,ZINC,SM FLG LK,YEL	
37	0074076		PLUG,STRAIGHT THREAD,M22 X 1.5 WITH SEAL	
38	0007733		SENDER,WATER TEMPERATURE,1/2 PIPE,250	
39	3820693		BUSHING,3/4 X 1/2 PIPE,BRASS	
40	1394691		BUSHING,PIPE,3/4 X 1/2,BRASS,COATED	
NI	1816073		ALTERNATOR,ENG,L-N,200A,12V,4861JB	

Models: **A3RE**  
**CUMMINS ISC03, 05**  
**GRID HEATER**

Key	PartNumber	Qty	Description	Comment
-----	------------	-----	-------------	---------

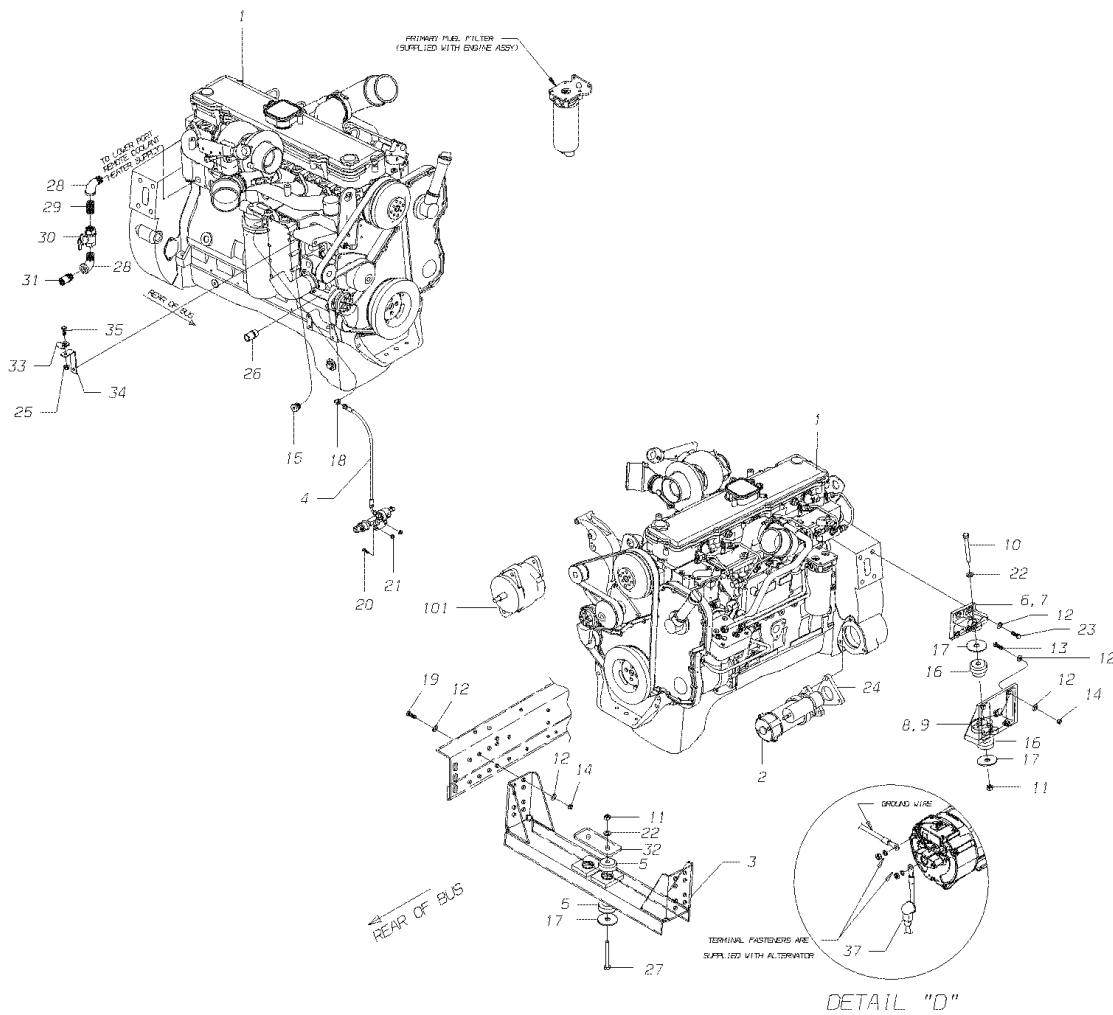


**Models:** **A3RE**  
**CUMMINS ISC03, 05**  
**GRID HEATER**

Key	PartNumber	Qty	Description	Comment
1	0018025		BRACKET,MTG,GRID HTRS & MEGA FUSES,	
2	1950559	2	RELAY,POWER,GRID HEATER	
3	1864404	2	HOLDER,FUSE,MEGA,LITTLE FUSE	
4	0006151	2	FUSE,MEGA,125 AMP	
5	2000784	4	SCREW,MACH,1/4-20X1/2,PH1,TRUSSHD,	
6	0807958	6	CAPSCREW,HEX HD,1/4-20X 1/2,GR8,YEL ZN	
7	0659979	10	NUT,HEX,FLANGE SER,1/4-20,BLACK ZINC	
8	0070695		HARNESS,WRG,GRID HEATER, RE	
9	0070697	2	HARNESS,WRG,GRID HEATER,FUSED PWR	
10	0070696	2	HARNESS,WRG,STARTER TO MEGA FUSE,ISC	
11	2024545	4	BOOT,TERMINAL	
12	1161322	AR	SEALANT,GLYPTAL RED ENAMEL,GE NO 1201	

**Models:** A3RE, C4RE  
**CUMMINS ISC03, ISC05**  
**With Features:** FEATURE 40184 WITH 40133 OR 40134  
**BSN:** From CSN 10181431 (11/01/04)

Key	PartNumber	Qty	Description	Comment
-----	------------	-----	-------------	---------



**Models:** A3RE, C4RE  
**CUMMINS ISC03, ISC05**  
**With Features:** FEATURE 40184 WITH 40133 OR 40134  
**BSN:** From CSN 10181431 (11/01/04)

Key	PartNumber	Qty	Description	Comment
1	0069188		ENGINE ASSY,CUMN,ISC,EPA 03,260 HP,660	FEATURE 40184-08
1	0069191		ENGINE ASSY,CUMN,ISC,EPA 03,300 HP,860	FEATURE 40184-09
1	0069190		ENGINE ASSY,CUMN,ISC,EPA 03,285 HP,800	FEATURE 40184-10
1	0033981		ENGINE ASSY,CUMN,ISC05,260HP,660LB-FT	FEATURE 40184-11
1	0033931		ENGINE ASSY,CUMN,ISC05,300HP,860LB-FT	FEATURE 40184-12
1	0031872		ENGINE ASSY,CUMN,ISC05,285HP,800LB-FT	FEATURE 40184-13
2	1935477		STARTER,DENSO,228000-5311,12V,8.3/ISC	
3	1997154		CROSSMEMBER ASSY,ENG MTG,FRONT,ISC,	
4	0081565		MANIFOLD,ASSY,OIL PRESS,CUMMINS ISC,	
5	1982586	2	ISOLATOR,BARRY,ARMORED	
6	1930379		CASTING,BELLHOUSING,CUMMINS ISC,RH,	
7	1930288		CASTING,BELLHOUSING,CUMMINS ISC,LH,	
8	1930205		CASTING,FRAME,REAR ENGINE,RH,HDRE	
9	1944081		CASTING,FRAME,REAR ENGINE,LH,HDRE	
10	1946037	2	CAPSCREW,HEX HD,5/8-11 X 5 1/4,GR8,YEL	
11	0939827	4	NUT,HEX HD,5/8-11,GR 8,LOCK,CADMIUM WAX	
12	1003045	46	WASHER,FLAT,17/32 X 1 1/16 X 7/64,HDN,	
13	0803148	8	CAPSCREW,HEX HD,1/2-13 X 1 3/4,GR8,	
14	0850800	16	NUT,HEX HD,1/2-13,LOCKING,GR 8,CAD WAX	
15	0074076		PLUG,STRAIGHT THREAD,M22 X 1.5 WITH SEAL	
16	1935386		ISOLATOR,BARRY,NON-ARMORED	FEATURE 40432-10, -12
16	0023692		ISOLATOR,BARRY,ARMORED	FEATURE 40432-11, -13
17	1966332	6	WASHER,FLAT,.656IDX3.00 ODX.187THK,	
18	2008241		ELBOW,MALE,1/4 TUBE X 1/8 PIPE	
19	0803239	8	CAPSCREW,HEX HD,1/2-13 X1 1/2,GR8	
20	0870477	2	CAPSCREW,HEX HD,1/4-20 X 1,GR 8,YEL ZN	
21	0659979	2	NUT,HEX,FLANGE SER,1/4-20,BLACK ZINC	
22	0929018	4	WASHER,FLAT,21/32 X 1 1/8 X 3/32,HDN,YEL	
23	1660984	8	CAPSCREW,HEX HD M12-1.75 X 30MM,GR 10.9	
24	1301910		SPACER,STRTR,12MM,SM 9009,8.3TA	
25	2171809		NUT,HEX HD,3/8-16,ZINC,SM FLG LK,YEL	
26	0315200		ADAPTER,HTR,3/4 PIPE X 1 HOSE	
27	1631068	2	CAPSCREW,HX HD,5/8-11 X 4 1/2,GR8,	

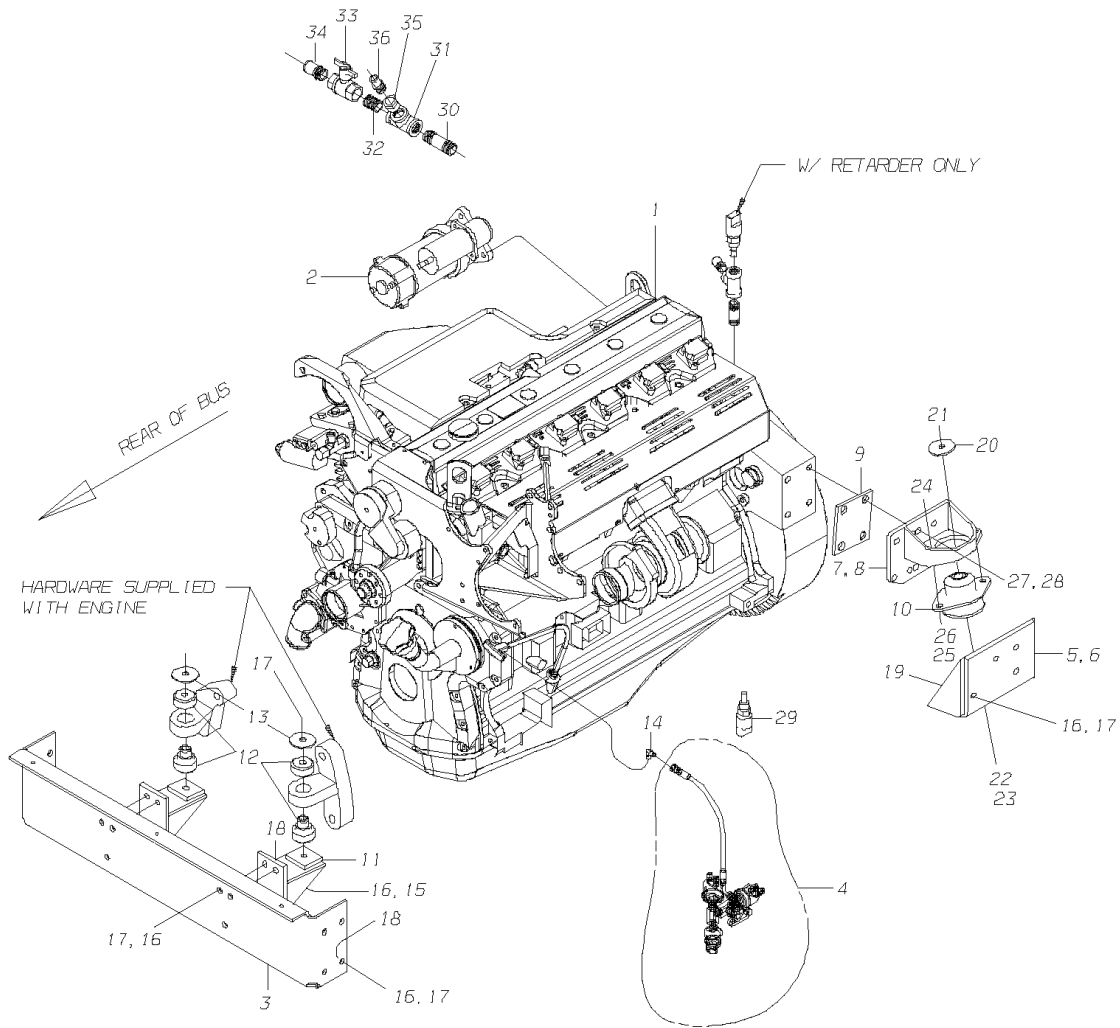


**Models:** A3RE, C4RE  
**CUMMINS ISC03, ISC05**  
**With Features:** FEATURE 40184 WITH 40133 OR 40134  
**BSN:** From CSN 10181431 (11/01/04)

Key	PartNumber	Qty	Description	Comment
28	0760249	2	ELBOW,STREET,3/4,90 DEG,GALV	
29	2009504		NIPPLE,PIPE,3/4 X CLOSE,GALV	
30	1626431		VALVE,BALL,3/4,W/BUTTERFLY HANDLE	
31	0315200		ADAPTER,HTR,3/4 PIPE X 1 HOSE	
32	1972728		SPACER,3.00 X 7.50 X .38 THICK	
33	0854612		CLAMP,LOOP,.500	
34	1317247		BRACKET,ATCH,BRAKE LINE TO FRAME	
35	0559195		CAPSCREW,HEX HD,3/8-16 X 1,GR 8,YEL ZN	
37	1053867		BOOT,TERMINAL,JULIAN ELECTRIC 39HA0603	
10	1972686		ALTERNATOR,ENG,L-N,175A,12V,INT REG,J180	FEATURE 40133-03. ENDING WITH CSN F0198629
10	0086348		ALTERNATOR,ENG,L-N,175A,12V,REM REG,J180	FEATURE 40133-03. BEGIN WITH CSN F0198630
10	0102485		ALTERNATOR,ENG,L-N,185A,12V,REM REG,J180	FEATURE 40134-06.
10	0008588		ALTERNATOR,ENG,L-N,270A,12V,INT REG,J180	FEATURE 40134-04. ENDING WITH CSN F0198629
10	0086349		ALTERNATOR,ENG,L-N,270A,12V,REM REG,J180	FEATURE 40134-04. BEGIN WITH CSN F0198630
10	0073961		ALTERNATOR,ENG,L-N,320A,12V,INT REG,J180	FEATURE 40134-05. ENDING WITH CSN F0198629
10	0086350		ALTERNATOR,ENG,L-N,320A,12V,REM REG,J180	FEATURE 40134-05. BEGIN WITH CSN F0198630

**Models:** A3RE  
**JOHN DEERE 6.8**  
**With Features:** FEATURE 40182

Key	PartNumber	Qty	Description	Comment
-----	------------	-----	-------------	---------



**Models:** A3RE  
**JOHN DEERE 6.8**  
**With Features:** FEATURE 40182

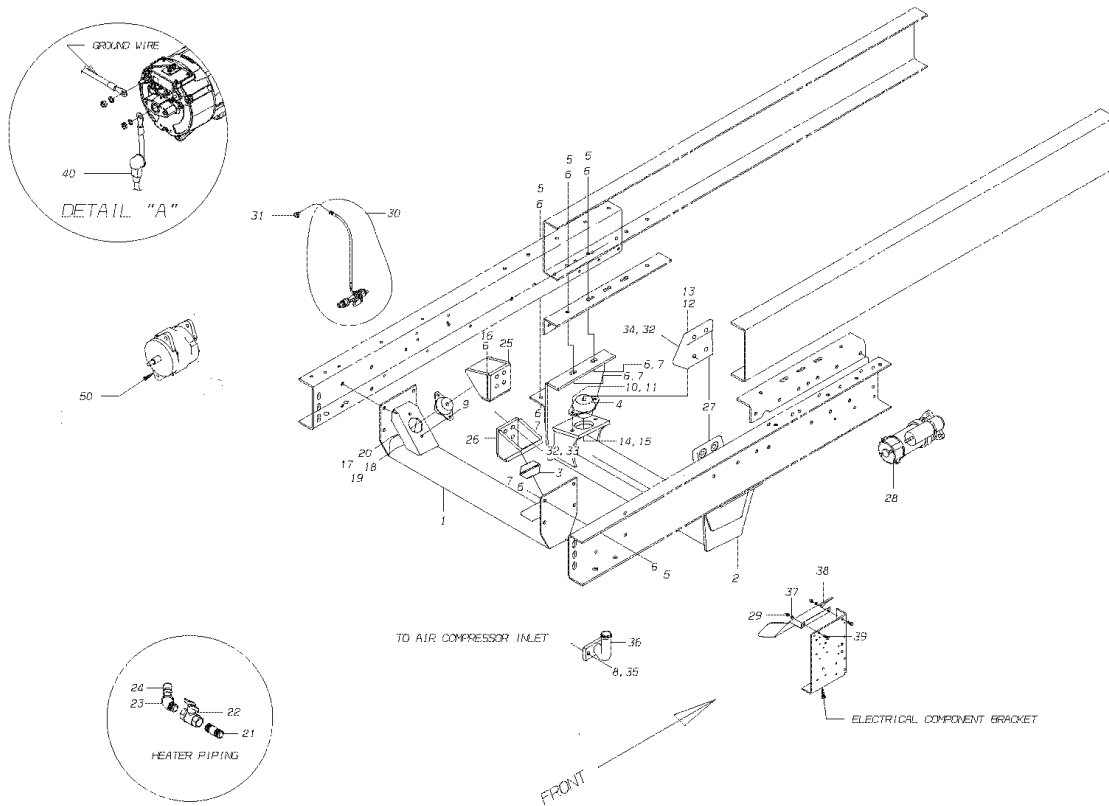
Key	PartNumber	Qty	Description	Comment
1		1	ENGINE ASSEMBLY	<i>SUPPLIED BY JOHN DEERE</i>
2	1930163	1	STARTER,NIPPONDENSO,12V,JOHN DEERE 6.8	
3	1885185	1	CROSSMEMBER,MOUNTING,ENGINE,REAR,JD	
4	1980127	1	MANIFOLD ASSY,OIL PRESS,VDO DASH,	
5	0010217	1	BRACKET ASSY,MTG,ENG TO FRM,RH,JD 6.8L	
6	0010335	1	BRACKET ASSY,MTG,ENG TO FRM,LH,JD 6.8L	
7	1610237	1	MOUNT,ENGINE,B/HSG,RH,CAT/CUMN,AARE	
8	1610245	1	MOUNT,ENGINE,B/HSG,LH,CAT/CUMN,AARE	
9	1921568	2	SPACER,ENGINE MOUNT,BELLHOUSING,JD 6.8	
10	1902949	2	ISOLATOR,MTR MNT,BARRY	
11	0010221	2	BRACKET ASSY,MTG,ENG TO C/MBR,JD 6.8L,	
12	1894773	2	ISOLATOR,BARRY	
13	1306927	2	WASHER,FLAT,.531 X 2.250 X 11 GA,YEL	
14	2008241	1	ELBOW,MALE,1/4 TUBE X 1/8 PIPE	
15	0864025	2	CAPSCREW,HEX HD,1/2-13 X3 1/2,GR8,	
16	1003045	24	WASHER,FLAT,17/32 X 1 1/16 X 7/64,HDN,	
17	0850800	24	NUT,HEX HD,1/2-13,LOCKING,GR 8,CAD WAX	
18	0803239	14	CAPSCREW,HEX HD,1/2-13 X1 1/2,GR8	
19	0803205	8	CAPSCREW,HEX HD,1/2-13 X 2,GR 8,YEL ZN	
20	1080316	2	WASHER,FLAT,FRONT ENGINE MTG,YEL ZN	
21	1021815	2	CAPSCREW,HEX HD,3/4-10 X4 1/2,GR8,	
22	0607036	2	WASHER,FLAT,13/16 X 1 3/8 X 7/64 ZP,HRD	
23	0933879	2	NUT,HEX HD,3/4-10,PRVLG TORQ,GR8,CAD	
24	0559195	4	CAPSCREW,HEX HD,3/8-16 X 1,GR 8,YEL ZN	
25	0826297	4	NUT,HEX HD,3/8-16 LOCK,YEL ZN DICH	
26	1107085	4	WASHER,FLAT,13/32 X 13/16 X 3/32,HDN,BLK	
27	1494244	8	WASHER,FLAT,19/32 X 1 3/16 X 3/32,HRD,	
28	0011037	8	CAPSCREW,HX HD,M14-2.0X40,CL10.9,	
29	0000031	1	SENDER,WATER TEMP,1/2 PIPE,250 DEG F	
30	2009520	1	NIPPLE,PIPE,3/4 X 3,GALV	
31	0598177	1	TEE,PIPE,3/4,GALV	
32	2009504	1	NIPPLE,PIPE,3/4 X CLOSE,GALV	
33	1626431	1	VALVE,BALL,3/4,W/BUTTERFLY HANDLE	

**Models:** A3RE  
**JOHN DEERE 6.8**  
**With Features:** FEATURE 40182

Key	PartNumber	Qty	Description	Comment
34	0315200	1	ADAPTER,HTR,3/4 PIPE X 1 HOSE	
35	1394691	1	BUSHING,PIPE,3/4 X 1/2,BRASS,COATED	
36	1142801	1	INSERT,BARBED,5/8 ID HOSE X 1/2 PIPE	
37	2009454	1	NIPPLE,1/2 X 3,GALV	
38	2009637	1	TEE,PIPE,1/2,GALV	
39	0144964	1	ADAPTER,HTR,1/2 PIPE X 1 HOSE,YEL ZINC	
40	0016276		ALARMSTAT,220 DEGREE,METRI-PACK,KYSOR	
NI	2026706	1	ELBOW,49X10,1/2MPT X 5/8 TUBE,FLARE	
NI			OIL, MOTOR	
NI	1003086	1	CAPSCREW,HEX HD,1/2-13 X6 1/2,GR8,	
NI	2539500	1	CAPSCREW,HEX HD,1/2-13 X 2 1/4	
NI	1930320	1	PULLEY,ALTERNATOR,8 GROOVE,JOHN DEERE	
NI	1930270	1	BELT,POLY-VEE,8V X 1651 MM (65.00 IN)	65.00 IN
41	1003045	2	WASHER,FLAT,17/32 X 1 1/16 X 7/64,HDN,	
42	0850800	2	NUT,HEX HD,1/2-13,LOCKING,GR 8,CAD WAX	

Models: **A3RE**  
**JOHN DEERE 8.1**  
 With Features: **FEATURE 40181**

Key	PartNumber	Qty	Description	Comment
-----	------------	-----	-------------	---------



**Models:** A3RE  
**JOHN DEERE 8.1**  
**With Features:** FEATURE 40181

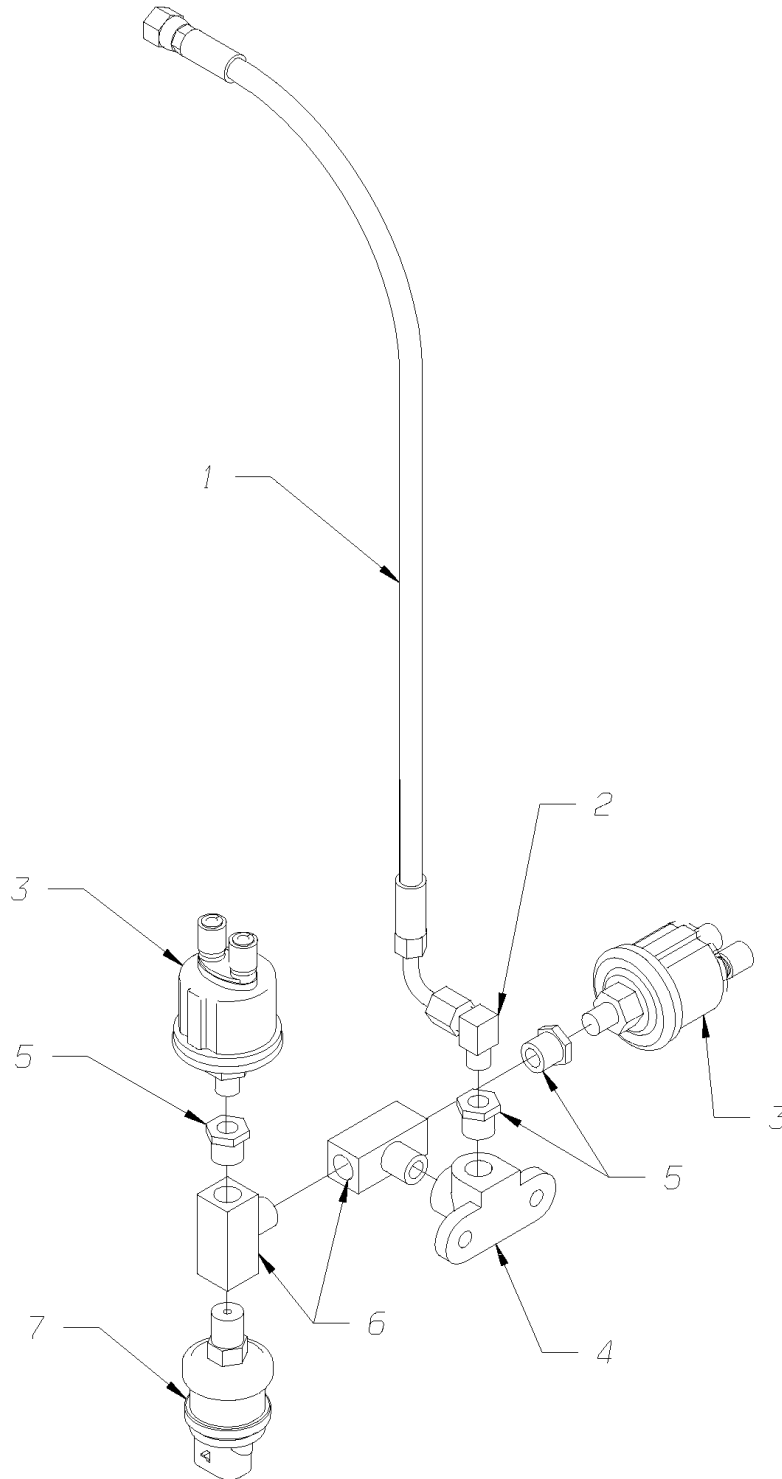
Key	PartNumber	Qty	Description	Comment
NI	0074921		ENGINE ASSY,JD,8.1,250 HP,CATALYTIC	<i>Feature 40181-01, -03. Ending With CSN F0232279.</i>
NI	0095984		ENGINE ASSY,JD,8.1,250 HP,1.2NOX,	<i>Feature 40181-01, -03. Begin With CSN F0232280.</i>
1	1926328		CROSSMEMBER ASSY,FRT ENG MTG,JD 8.1,RE	
2	1855451		CROSSMEMBER ASSY,RR ENG MTG,JD 8.1	
3	1855519	2	ISOLATOR,MOTOR MOUNT,BARRY	
4	1743848	2	INSOLATOR,MTR MNT,BARRY	
5	0803239	16	CAPSCREW,HEX HD,1/2-13 X1 1/2,GR8	
6	0850776	38	WASHER,FLAT,17/32 X 1 1/16 X 3/32,	
7	0850800	20	NUT,HEX HD,1/2-13,LOCKING,GR 8,CAD WAX	
8	2001188	2	LOCKWASHER,SPLIT RING, 5/16,MED,YEL ZN	
9	0803213	4	CAPSCREW,HEX HD,3/8-16X1 1/4,GR8,YEL	
10	2001212	4	LOCKWASHER,SPLIT RING, 1/2 ,LHT,YEL ZN	
11	1754498	4	CAPSCREW,HEX HD,1/2-13X3/4,GR 8,ZINC	
12	0607036	2	WASHER,FLAT,13/16 X 1 3/8 X 7/64 ZP,HRD	
13	1317783	2	CAPSCREW,HEX HD,3/4-10 X 5,GR 8,YEL ZN	
14	1080316	2	WASHER,FLAT,FRONT ENGINE MTG,YEL ZN	
15	0933879	2	NUT,HEX HD,3/4-10,PRVLG TORQ,GR8,CAD	
16	1003078	2	CAPSCREW,HEX HD,1/2-13 X 3,GR 8,YEL ZN	
17	1010024	4	NUT,HEX HD,1/2-13,GR 8,LG FL,L/N,YEL ZN	
18	1107085	4	WASHER,FLAT,13/32 X 13/16 X 3/32,HDN,BLK	
19	0826297	2	NUT,HEX HD,3/8-16 LOCK,YEL ZN DICH	
20	1855758		WASHER,.531 X 2.500 X 11 GA,YEL ZINC DICH	
21	2009538		NIPPLE,PIPE,3/4 X 4,GALV	
22	1626431		VALVE,BALL,3/4,W/BUTTERFLY HANDLE	
23	2009272		ELBOW,STREET,3/4 45 DEG,GALV	
24	0315200		ADAPTER,HTR,3/4 PIPE X 1 HOSE	
25	1820810		CASTING,ENGINE TO C/M ASSY,FRT,LH,JD 8.1	
26	1820828		CASTING,ENGINE TO C/M ASSY,FRT,RH,JD 8.1	
27	1820802	2	CASTING,ENGINE TO C/M ASSY,RR,JD 8.1	
28	1839281		STARTER,NIPPONDENSO,12V,JOHN DEERE 8.1	
29	2001329	2	NUT,HEX HD,1/4-20,YELLOW DICHROMATE"	
30	0081573		MANIFOLD,ASSY,OIL PRESS,JD 8.1, HDRE	
31	2008241		ELBOW,MALE,1/4 TUBE X 1/8 PIPE	

**Models:** A3RE  
**JOHN DEERE 8.1**  
**With Features:** FEATURE 40181

Key	PartNumber	Qty	Description	Comment
32	2001220	16	LOCKWASHER,SPLIT RING, 5/8 ,LHT,YEL ZN	
33	1885128	8	CAPSCREW,HEX HD,5/8-11 X 2.75 GR8,YEL	
34	1107895	8	CAPSCREW,HEX HD,5/8-11 X 2,GR8,YEL ZN	
35	0989145	2	CAPSCREW,HEX HD,5/16-18, X, 1, ,GR5,	
36	0000085		ADAPTER ASSY,AIR COMPRESSOR INLET,J/D	
37	2001170	2	LOCKWASHER,SPLIT RING, 1/4 ,MED,YEL ZN	
38	0045372		SHIELD,HEAT,TURBO,JD 8.1, RE	
39	0870477	2	CAPSCREW,HEX HD,1/4-20 X 1,GR 8,YEL ZN	
40	1053867		BOOT,TERMINAL,JULIAN ELECTRIC 39HA0603	
50	0086348		ALTERNATOR,ENG,L-N,175A,12V,REM REG,J180	<i>Feature 40133-03</i>
50	0102485		ALTERNATOR,ENG,L-N,185A,12V,REM REG,J180	<i>Feature 40134-06</i>
NI	0964908		ADAPTER,849-FSO-12X12,37 DEG	
NI	1526987		DECAL,VALVE,HYDRAULIC CAUTION,	
NI	1718154		PLATE,AXLE RECORD AND CHASSIS SERV NO	
NI	1139559		CAPSCREW,HEX HD,1/2-13 X 4,GR8,YEL ZN	<i>Use for Alternator Installation.</i>
NI	1839174		COVER,DUST,IDLER PULLEY	<i>Use for Alternator Installation.</i>
NI	1839182		PULLEY,IDLER,8 RIB DAYCO	<i>Use for Alternator Installation.</i>
NI	1839240		SPACER,IDLER	<i>Use for Alternator Installation.</i>
NI	1839257		BOLT,SHOULDER,FLANGED SOCKET HEAD	<i>Use for Alternator Installation.</i>
NI	1868223		BELT,POLY-VEE,8V X 1730 MM (68.11 IN)	<i>Use for Alternator Installation.</i>
NI	1786870		PULLEY,ALTERNATOR,8 GROOVE,JOHN DEERE	<i>Use for Alternator Installation.</i>

Models: **A3RE**  
**MANIFOLD ASSY, OIL PRESSURE**  
**CAT C7**  
With Features: **FEATURE 40187**  
**To CSN F10181004**

Key	PartNumber	Qty	Description	Comment
-----	------------	-----	-------------	---------





**Models:** A3RE  
**MANIFOLD ASSY, OIL PRESSURE  
 CAT C7**  
**With Features:** FEATURE 40187  
 To CSN F10181004

Key	PartNumber	Qty	Description	Comment
	0019637		MANIFOLD ASSY,OIL PRESS,VDO DASH	
1	1982156		HOSE ASSY,14504U604664A03200	
2	2008241		ELBOW,MALE,1/4 TUBE X 1/8 PIPE	
3	1947431		SENDER,OIL PRESSURE,0-150 PSI	
4	1153303		ELBOW,ANCHOR,1/4 FPT,90 DEG,BENDIX	
5	2008050		BUSHING,PIPE,1/8 TO 1/4,BRASS	
6	0559047		TEE,MALE,BRANCH,1/4 PIPE,3600X4	
7	1916436		PRESSURESTAT,6 PSI,NORMALLY CLOSED	

**Models:** A3RE  
**MANIFOLD ASSY, OIL PRESSURE**  
**CUMMINS ISC**  
**With Features:** FEATURE 40187  
 To CSN F10043409

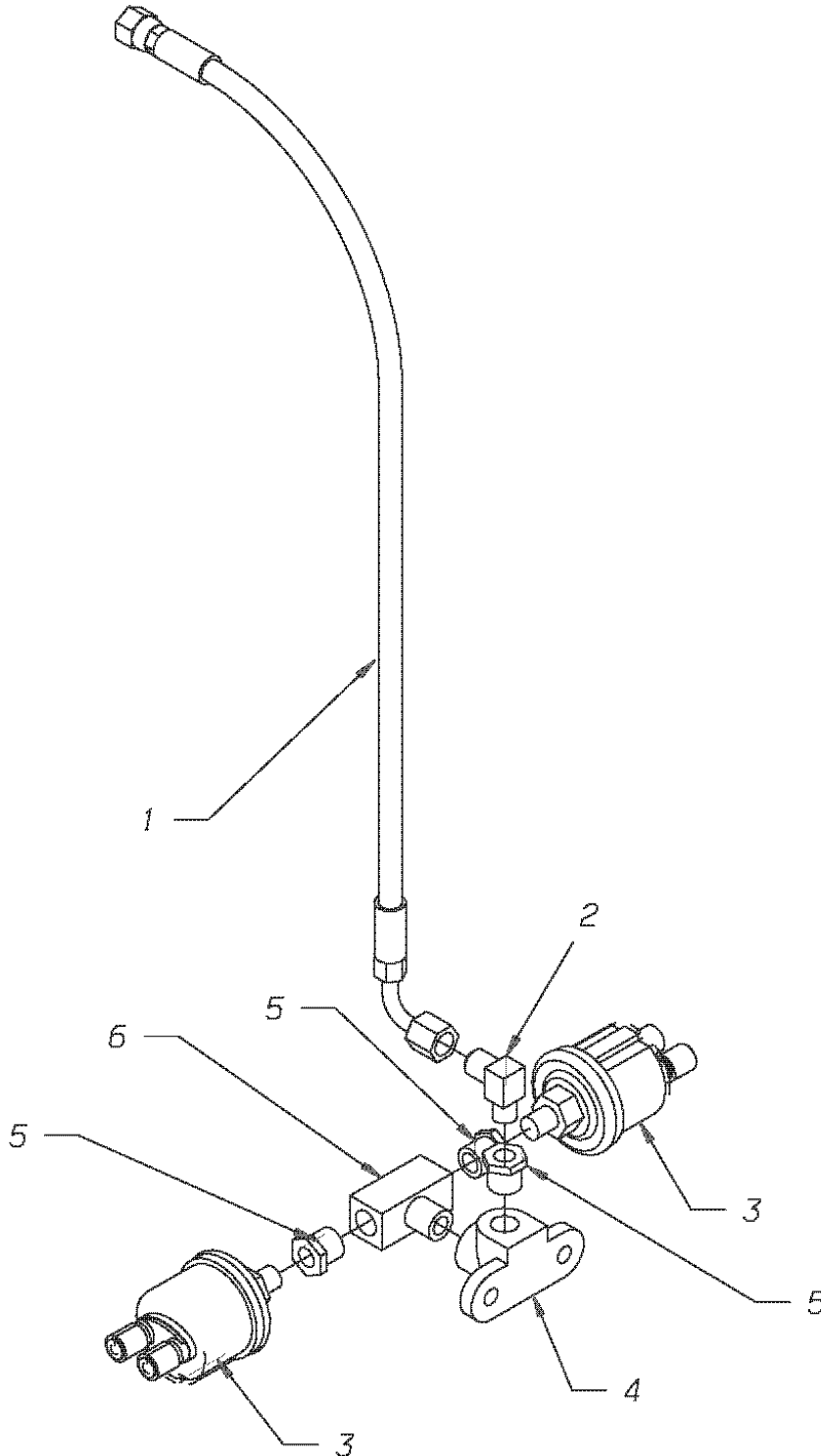
Key	PartNumber	Qty	Description	Comment
-----	------------	-----	-------------	---------

DR. 11/18/04	BY TB		1982164	
APP.	BY	FRT		REV



© BLUE BIRD BODY COMPANY. ALL RIGHTS RESERVED

BLUE BIRD

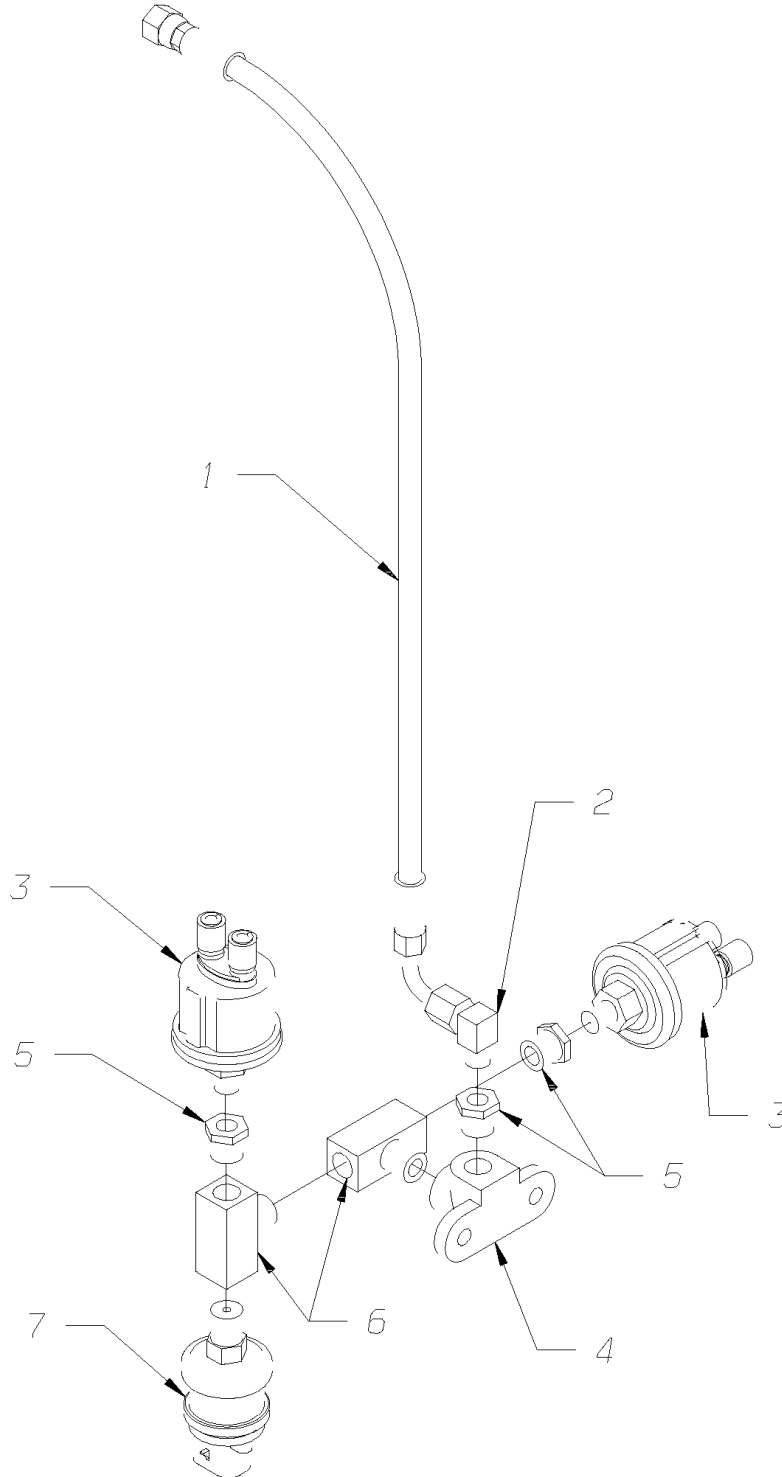


**Models:** A3RE  
**MANIFOLD ASSY, OIL PRESSURE**  
**CUMMINS ISC**  
**With Features:** FEATURE 40187  
**To CSN F10043409**

Key	PartNumber	Qty	Description	Comment
	1982164		MANIFOLD ASSY,OIL PRESS,VDO DASH,	
1	1982156		HOSE ASSY,14504U604664A03200	
2	2008241		ELBOW,MALE,1/4 TUBE X 1/8 PIPE	
3	1947431		SENDER,OIL PRESSURE,0-150 PSI	
4	1153303		ELBOW,ANCHOR,1/4 FPT,90 DEG,BENDIX	
5	2008050		BUSHING,PIPE,1/8 TO 1/4,BRASS	
6	0559047		TEE,MALE,BRANCH,1/4 PIPE,3600X4	

**Models:** A3RE  
**MANIFOLD ASSY, OIL PRESSURE**  
**CUMMINS ISC**  
**With Features:** FEATURE 40184  
**BSN:** From CSN F10043410  
To CSN F10181004

Key	PartNumber	Qty	Description	Comment
-----	------------	-----	-------------	---------

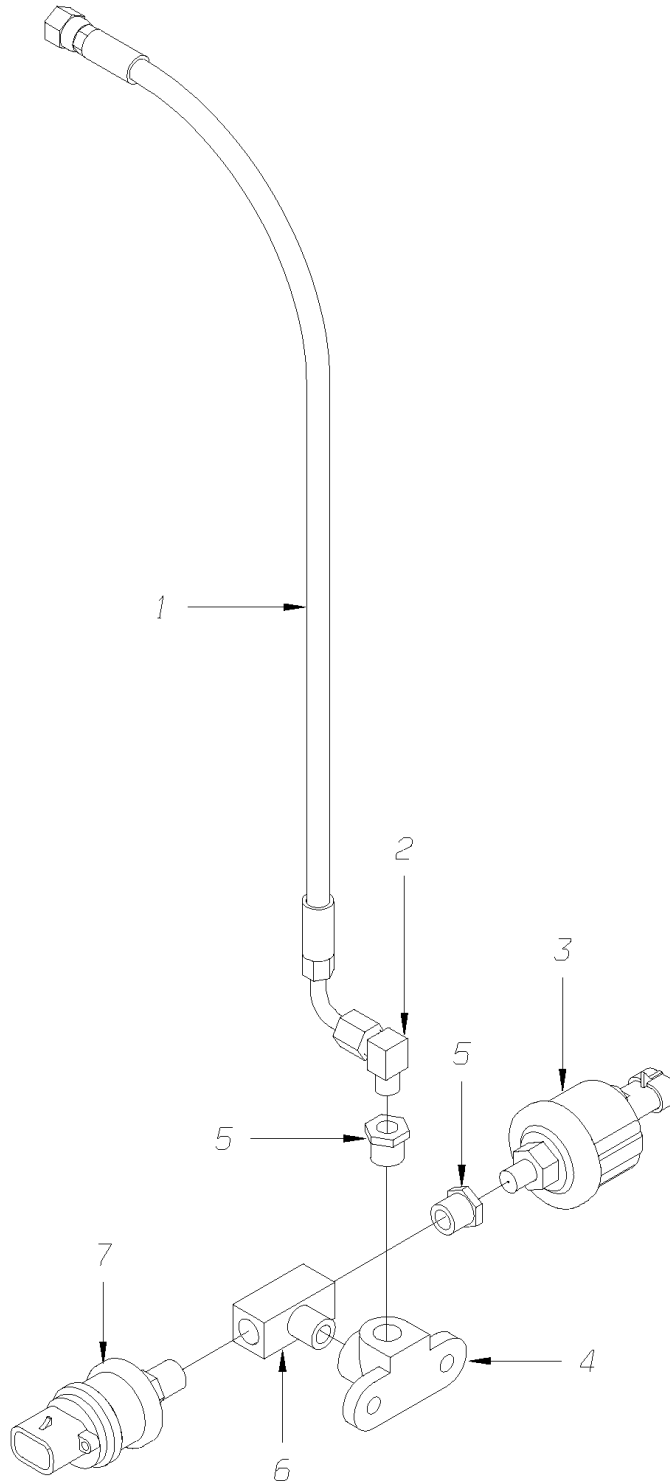


**Models:** A3RE  
**MANIFOLD ASSY, OIL PRESSURE**  
**CUMMINS ISC**  
**With Features:** FEATURE 40184  
**BSN:** From CSN F10043410  
 To CSN F10181004

Key	PartNumber	Qty	Description	Comment
	0020510		MANIFOLD ASSY,OIL PRESS,VDO DASH,	
1	1947696		HOSE ASSY,14504U604664A0	
2	2008241		ELBOW,MALE,1/4 TUBE X 1/8 PIPE	
3	1947431		SENDER,OIL PRESSURE,0-150 PSI	
4	1153303		ELBOW,ANCHOR,1/4 FPT,90 DEG,BENDIX	
5	2008050		BUSHING,PIPE,1/8 TO 1/4,BRASS	
6	0559047		TEE,MALE,BRANCH,1/4 PIPE,3600X4	
7	0016277		PRESSURESTAT,9 PSI,NORMALLY CLOSED	

**Models:** A3RE  
**MANIFOLD ASSY, OIL PRESSURE**  
**CUMMINS ISC**  
**With Features:** FEATURE 40184  
**BSN:** From CSN F10181005

Key	PartNumber	Qty	Description	Comment
-----	------------	-----	-------------	---------



**Models:** A3RE  
**MANIFOLD ASSY, OIL PRESSURE**  
**CUMMINS ISC**  
**With Features:** FEATURE 40184  
**BSN:** From CSN F10181005

Key	PartNumber	Qty	Description	Comment
	0081565		MANIFOLD,ASSY,OIL PRESS,CUMMINS ISC,	
1	1947696		HOSE ASSY,14504U604664A0	
2	2008241		ELBOW,MALE,1/4 TUBE X 1/8 PIPE	
3	1947431		SENDER,OIL PRESSURE,0-150 PSI	
4	1153303		ELBOW,ANCHOR,1/4 FPT,90 DEG,BENDIX	
5	2008050		BUSHING,PIPE,1/8 TO 1/4,BRASS	
6	0559047		TEE,MALE,BRANCH,1/4 PIPE,3600X4	
7	0016277		PRESSURESTAT,9 PSI,NORMALLY CLOSED	

**Models:** A3RE  
**MANIFOLD ASSY, OIL PRESSURE**  
**JOHN DEERE 8.1**

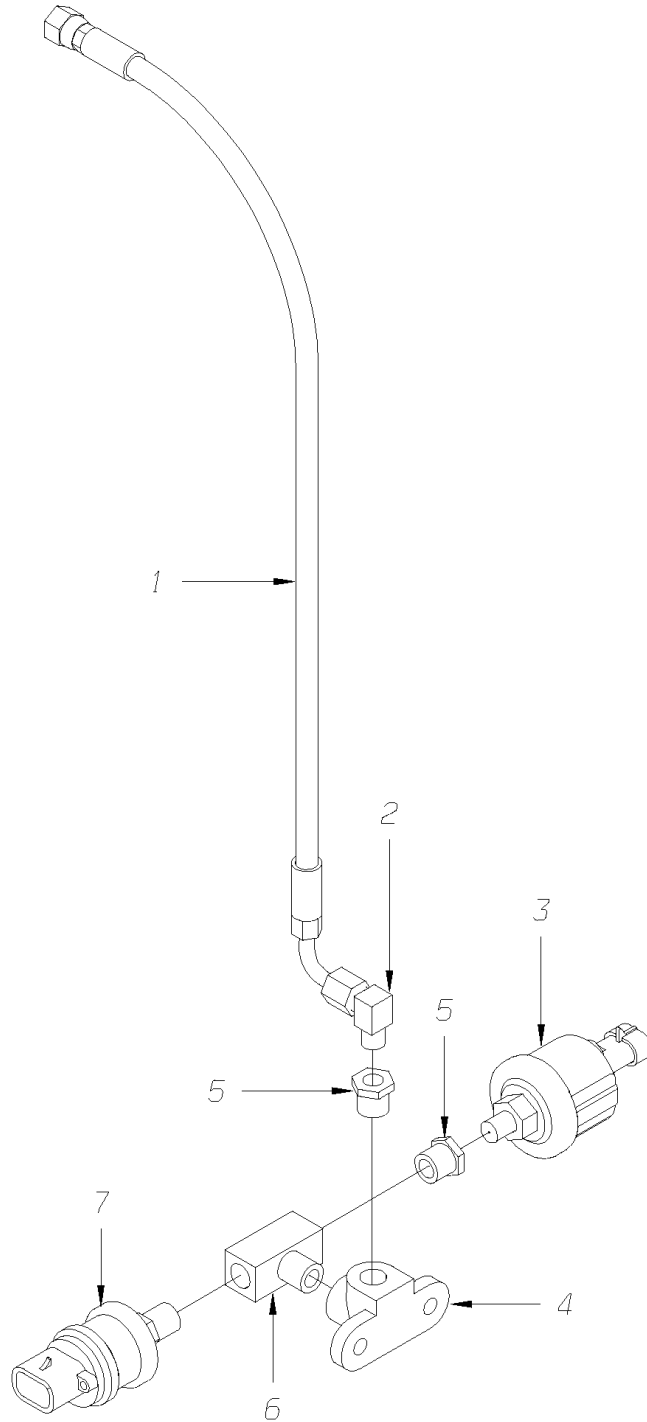
**With Features:** FEATURE 40181-03  
**To CSN F10181004**

Key	PartNumber	Qty	Description	Comment
	0019636		MANIFOLD ASSY,OIL PRESS,VDO DASH,JD	
1	0019635		HOSE ASSY,14504U604664A014	
2	2008241		ELBOW,MALE,1/4 TUBE X 1/8 PIPE	
3	1947431		SENDER,OIL PRESSURE,0-150 PSI	
4	1153303		ELBOW,ANCHOR,1/4 FPT,90 DEG,BENDIX	
5	2008050		BUSHING,PIPE,1/8 TO 1/4,BRASS	
6	0559047		TEE,MALE,BRANCH,1/4 PIPE,3600X4	
7	1922483		PRESSURESTAT,15 PSI,NORMALLY CLOSED	



**Models:** A3RE  
**MANIFOLD ASSY, OIL PRESSURE**  
**JOHN DEERE 8.1**  
**With Features:** FEATURE 40181-03  
**BSN:** From CSN F10181005

Key	PartNumber	Qty	Description	Comment
-----	------------	-----	-------------	---------



**Models:** A3RE  
**MANIFOLD ASSY, OIL PRESSURE**  
**JOHN DEERE 8.1**  
**With Features:** FEATURE 40181-03  
**BSN:** From CSN F10181005

Key	PartNumber	Qty	Description	Comment
	0081573		MANIFOLD,ASSY,OIL PRESS,JD 8.1, HDRE	
1	0019635		HOSE ASSY,14504U604664A014	
2	2008241		ELBOW,MALE,1/4 TUBE X 1/8 PIPE	
3	1947431		SENDER,OIL PRESSURE,0-150 PSI	
4	1153303		ELBOW,ANCHOR,1/4 FPT,90 DEG,BENDIX	
5	2008050		BUSHING,PIPE,1/8 TO 1/4,BRASS	
6	0559047		TEE,MALE,BRANCH,1/4 PIPE,3600X4	
7	1922483		PRESSURESTAT,15 PSI,NORMALLY CLOSED	