

28812-G01



A Textron Company

**CUSHMAN**<sup>®</sup>

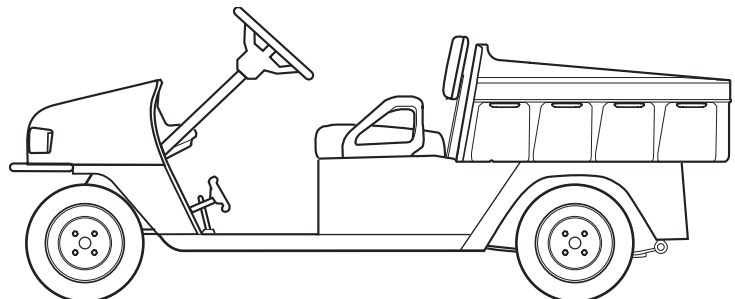
A Textron Company

**JACOBSEN**<sup>®</sup>

A Textron Company



# SERVICE PARTS MANUAL



*Ref Fcv 4 28812*

## **ELECTRIC POWERED UTILITY VEHICLE**

STARTING MODEL YEAR: 2004

# **SERVICE PARTS MANUAL**

## **ELECTRIC UTILITY VEHICLES**

**MPT<sup>®</sup> 1000**

**INDUSTRIAL<sup>™</sup> 1000**

**COMMANDER<sup>™</sup> 2100**

**JACOBSEN HAULER<sup>™</sup> 1000**

E-Z-GO Division of Textron, Inc reserves the right to make design changes without obligation to make these changes on units previously sold and the information contained in this manual is subject to change without notice.

E-Z-GO Division of Textron, Inc is not liable for errors in this manual or for incidental or consequential damages that result from the use of the material in this manual.

**CUSTOMER SERVICE DEPARTMENT IN USA PHONE: 1-800-241-5855 FAX: 1-800-448-8124**

**OUTSIDE USA PHONE: 010-1-706-798-4311, FAX: 010-1-706-771-4609**

**E-Z-GO DIVISION OF TEXTRON, INC., P.O.BOX 388, AUGUSTA, GEORGIA USA 30903-0388**

## **NOTES**

To obtain a copy of the limited warranty applicable to the vehicle, call or write a local Distributor, authorized Branch or the Warranty Department with vehicle serial number and manufacturer code.

The use of non Original Equipment Manufacturer (OEM) parts may void the warranty.

Overfilling of batteries may void the warranty.

### **BATTERY PROLONGED STORAGE**

All batteries will self discharge over time. The rate of self discharge varies depending on the ambient temperature and the age and condition of the batteries.

A fully charged battery will not freeze in winter temperatures unless the temperature falls below -75° F (-60° C).

As with all electric vehicles, the batteries must be checked and recharged as required or at a minimum of 30 day intervals.

# TABLE OF CONTENTS

| <b>SECTION</b>                            | <b>Page No.</b> |
|---|-----------------|
| HOW TO USE THE SERVICE PARTS MANUAL ..... | v               |
| ILLUSTRATED PARTS BREAKDOWN .....         | vii             |
| ACCELERATOR .....                         | A-1             |
| BATTERY CHARGER (LESTER) .....            | B-1             |
| BODY .....                                | C-1             |
| BRAKES .....                              | D-1             |
| BRAKES - FRONT DISC .....                 | E-1             |
| CAB .....                                 | F-1             |
| ELECTRICAL .....                          | G-1             |
| ELECTRONIC SPEED CONTROL - PDS .....      | H-1             |
| FRONT SUSPENSION / STEERING .....         | J-1             |
| MOTOR .....                               | K-1             |
| REAR AXLE .....                           | L-1             |
| REAR SUSPENSION .....                     | M-1             |
| SEATING .....                             | N-1             |
| TRUCK BED, PLASTIC .....                  | P-1             |
| WEATHER PROTECTION .....                  | Q-1             |
| WHEELS AND TIRES .....                    | R-1             |
| SPECIALTY PRODUCTS .....                  | APPENDIX A-1    |
| OPTIONS/ACCESSORIES .....                 | APPENDIX B-1    |



# HOW TO USE THE SERVICE PARTS MANUAL

This manual is divided into several sections:

## GENERAL INFORMATION

- TABLE OF CONTENTS
- HOW TO USE THE SERVICE PARTS MANUAL

## ILLUSTRATED PARTS BREAKDOWN

- Contains illustrations and parts lists for all systems of the vehicle

## APPENDIX

- Contains a listing of specialty products and options/accessories

## INDEX OF MAJOR COMPONENTS

- Contains a listing of parts (excluding hardware) grouped by part number and description and indicates on which page(s) they can be found

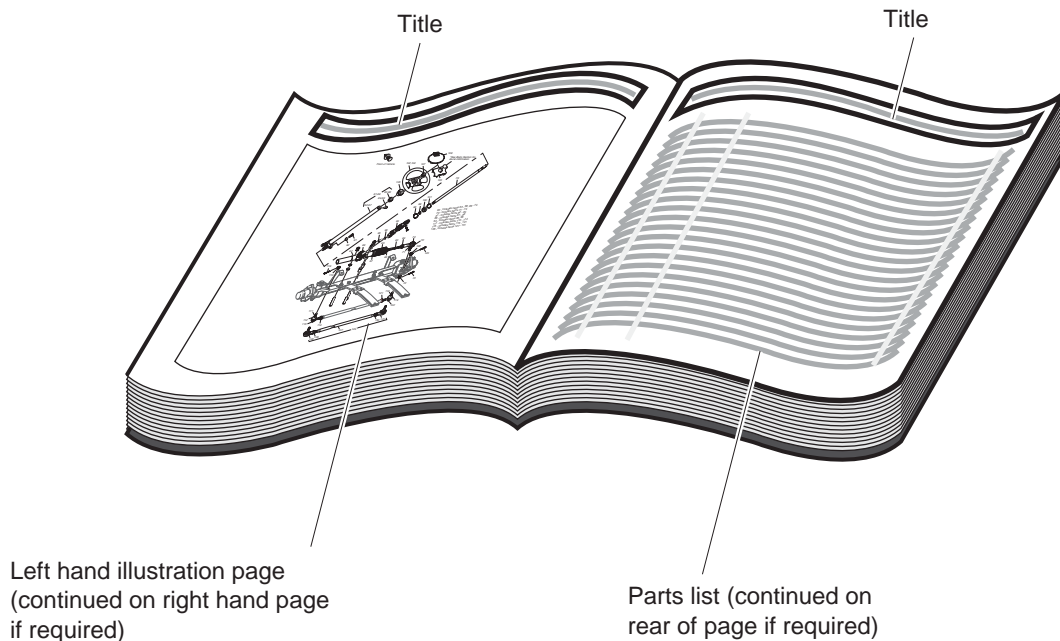
## USE OF THE MANUAL

To use this manual, consult the TABLE OF CONTENTS (page iii) or the INDEX OF MAJOR COMPONENTS (located at rear of this manual) to locate the information or illustration required.

Introduction of some revisions varies due to supply of components; therefore, it is possible that various combinations of components may be found that are not directly reflected by each illustration. Consult the illustration that best suits your situation. Locate the serial number plate (see BODY located in the Illustrated Parts Breakdown section of this manual for its location) and note the complete number shown on the plate. It is important that the serial number of your vehicle and its model number be supplied to Service Parts when ordering any replacement components.

Locate the serial number plate (see BODY located in the Illustrated Parts Breakdown section of this manual for its location) and note the complete number shown on the plate.

# HOW TO USE THE SERVICE PARTS MANUAL



## 1. WHEN THE PART NUMBER IS NOT KNOWN

- Determine the function and application of the part required. Turn to the INDEX OF MAJOR COMPONENTS and select the most appropriate component description.
- Turn to the page number indicated and locate the part description in the parts list. Read the full accompanying description for specific information regarding the part that was not shown in the index.
- From the parts list, obtain the item number assigned to it and confirm that the part selected is correct by verifying it with the pictorial representation on the illustrated page.

## 2. IF YOU KNOW THE PART NUMBER

- Use the INDEX OF MAJOR COMPONENTS to find the page(s) the part number appears on.
- Turn to the page number indicated and locate the part number in the parts list. Refer to the accompanying description for specific information regarding the part.
- From the parts list, obtain the item number assigned to it and confirm that the part selected is correct by verifying it with the pictorial representation on the illustrated page.

Should an asterisk (\*) appear in the part number column on the parts list page, read upwards until a part number is found. The part number is the lowest assembly sold by Service Parts. The asterisk (\*) indicates that the part depicted is not available for purchase.

NOTE: Descriptions are indented under the assembly that they are used on. That assembly is, in turn listed under the assembly that it is used on. This process is repeated until the highest final assembly is reached.

**To facilitate the maintenance and repair of the vehicle, a Technician's Repair and Service Manual is available from the Service Parts Department.**

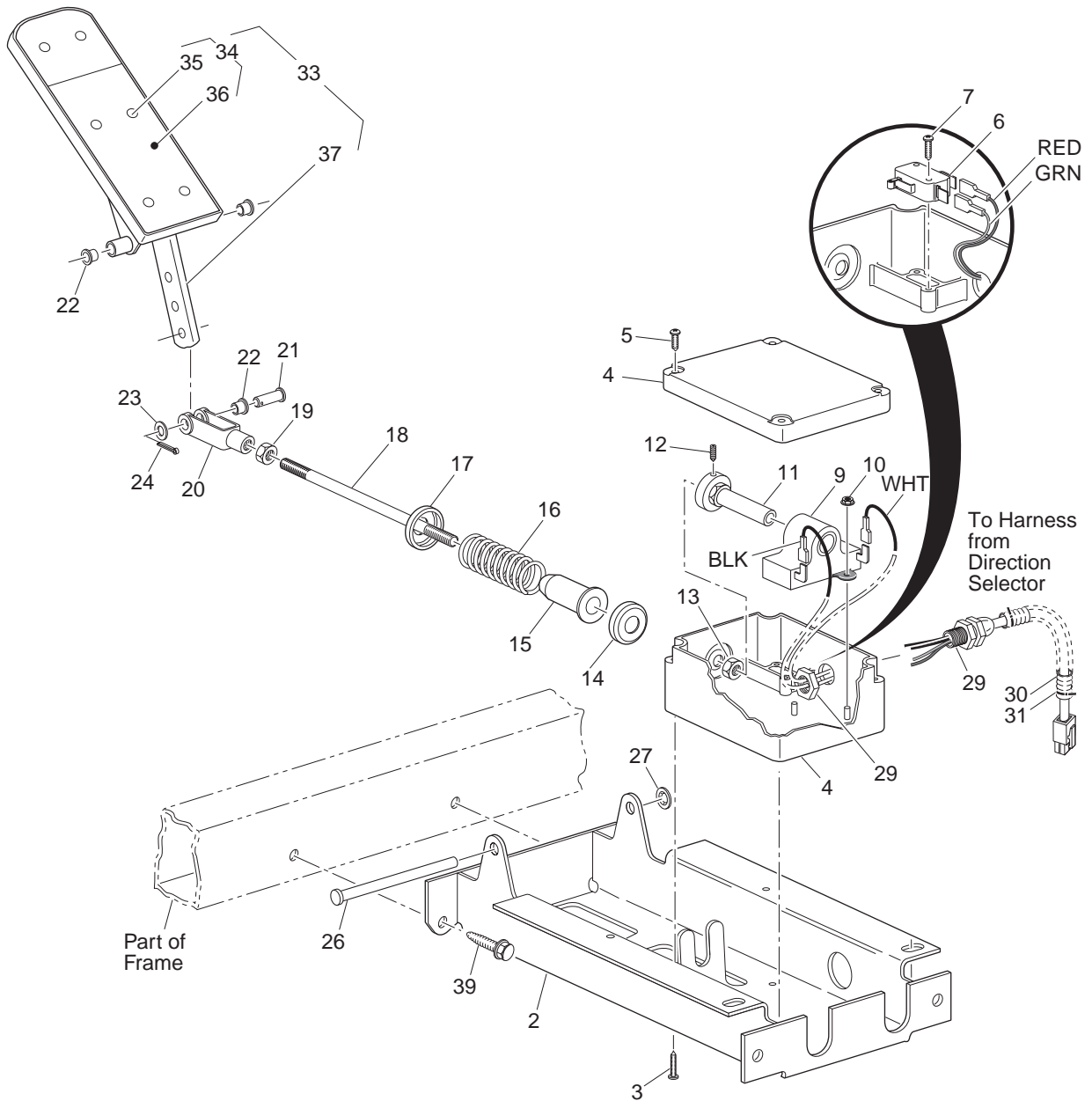
# **ILLUSTRATED PARTS BREAKDOWN**

# **ILLUSTRATED PARTS BREAKDOWN**



# ACCELERATOR

1 - Includes Items 2 - 37



Ref Acl 4-1

# ACCELERATOR

When ordering parts, please specify the model and serial number of the product.

\* Indicates a component that is not available as an individual part.

G\*\* Indicates special Customer Service Department for additional information.

| ITEM | PART NO.  | 1 2 3 4 5 | DESCRIPTION                                      | QTY. |
|------|-----------|-----------|--|------|
| 1    | 73333-G11 |           | PEDAL BOX ASSEMBLY (INCLUDES ITEMS 2 - 37) ..... | 1    |
| 2    | 70116-G02 |           | ACCELERATOR PEDAL BRACKET.....                   | 1    |
| 3    | 01050-G01 |           | SCREW, #8 - 16 X 1/2" LG. ....                   | 4    |
| 4    | 25853-G01 |           | PEDAL BOX AND COVER .....                        | 1    |
| 5    | 00684-G6  |           | SCREW, #8 - 32 X 3/4" LG. ....                   | 4    |
| 6    | 25861-G02 |           | MICRO SWITCH.....                                | 1    |
| 7    | 01050-G01 |           | SCREW, #4 - 20 X 5/8" LG .....                   | 2    |
| 8    |           |           |  |      |
| 9    | 25854-G01 |           | INDUCTIVE THROTTLE SENSOR .....                  | 1    |
| 10   | 00983-G01 |           | SELF THREADING NUT, 3/16" .....                  | 2    |
| 11   | 26551-G01 |           | PLUNGER.....                                     | 1    |
| 12   | 00486-G2  |           | SETSCREW, #8 - 32 X 1/8" LG. ....                | 1    |
| 13   | 00550-G2  |           | LOCK NUT, 1/4 - 28.....                          | 1    |
| 14   | 17677-G1  |           | SPRING RETAINER, 1/2" .....                      | 1    |
| 15   | 17979-G1  |           | BUSHING.....                                     | 1    |
| 16   | 73046-G01 |           | COMPRESSION SPRING .....                         | 1    |
| 17   | 17677-G2  |           | SPRING RETAINER, 3/8" .....                      | 1    |
| 18   | 25799-G03 |           | ACCELERATOR ROD .....                            | 1    |
| 19   | 00532-G4  |           | LOCK NUT, 5/16 - 24.....                         | 1    |
| 20   | 10385-G4  |           | CLEVIS YOKE (ADJUSTABLE).....                    | 1    |
| 21   | 10386-G3  |           | CLEVIS PIN, 5/16" X 1" LG .....                  | 1    |
| 22   | 17838-G1  |           | NYLON BUSHING .....                              | 3    |
| 23   | 17255-G1  |           | TEFLON WASHER, 5/16" .....                       | 1    |
| 24   | 10387-G3  |           | COTTER PIN, 3/32" X 3/4" LG .....                | 1    |
| 25   |           |           |  |      |
| 26   | 74432-G01 |           | PEDAL PIVOT PIN .....                            | 1    |
| 27   | 12064-G6  |           | PUSH NUT, 9/32" .....                            | 1    |
| 28   |           |           |  |      |
| 29   | 25879-G08 |           | WIRING HARNESS (PEDAL BOX ASSEMBLY) .....        | 1    |
| 30   | 17313-G1  |           | LOOM FLEX, 3/8" X 6" LG (BULK).....              | 1    |

# ACCELERATOR

When ordering parts, please specify the model and serial number of the product.

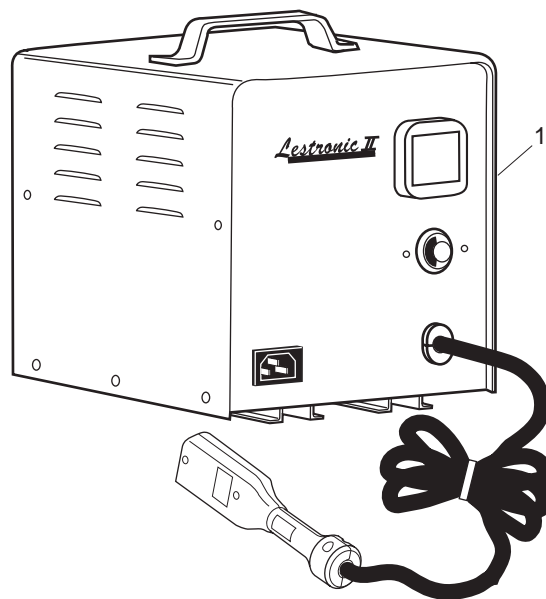
\* Indicates a component that is not available as an individual part.

G\*\* Indicates consult Customer Service Department for additional information.

| ITEM | PART NO.  | 1 | 2 | 3 | 4 | 5 | DESCRIPTION  | QTY. |
|------|-----------|---|---|---|---|---|--|------|
| 31   | 17618-G1  |   |   |   |   |   | WIRE TIE .....   | 2    |
| 32   |           |   |   |   |   |   |  |      |
| 33   | 25799-G01 |   |   |   |   |   | ACCELERATOR PEDAL ASSEMBLY (INCLUDES ITEMS 34 - 37)..... | 1    |
| 34   | 27844-G01 |   |   |   |   |   | ACCELERATOR PEDAL PAD KIT (INCLUDES ITEMS 35 - 36).....  | 1    |
| 35   | 15766-G1  |   |   |   |   |   | OVAL RIVET, 3/16" X 3/8" LG.....                         | 6    |
| 36   | 27512-G01 |   |   |   |   |   | ACCELERATOR PEDAL PAD .....                              | 1    |
| 37   | *         |   |   |   |   |   | ACCELERATOR PEDAL .....                                  | 1    |
| 38   |           |   |   |   |   |   |  |      |
| 39   | 00715-G2  |   |   |   |   |   | BOLT, 5/16 - 18 X 13/16" LG .....                        | 4    |



# BATTERY CHARGER (LESTER)



Ref Bcl 4-1

# BATTERY CHARGER (LESTER)

THE USE OF NON U.L. PARTS WILL VOID ANY U.L. LISTING.

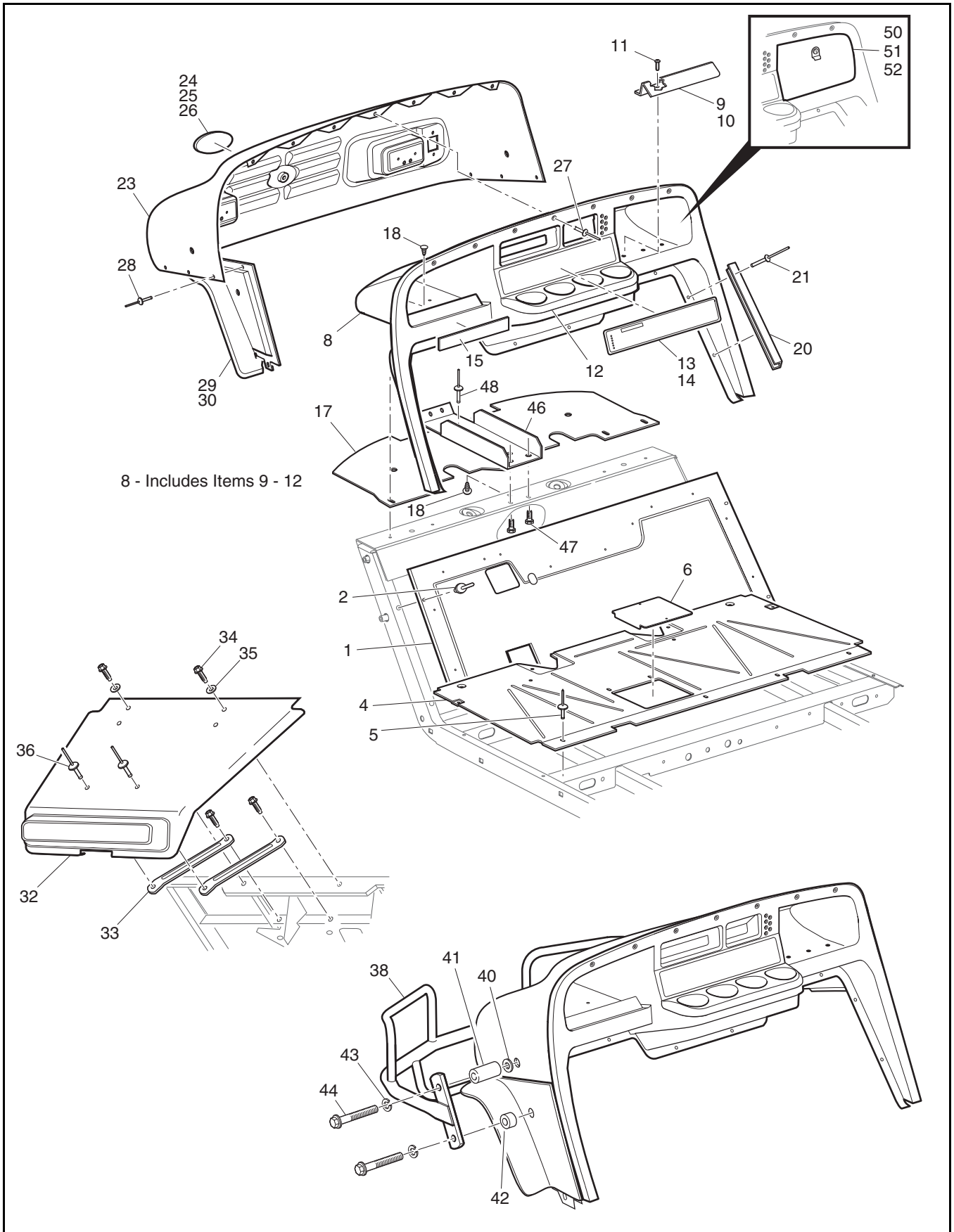
When ordering parts, please specify the model and serial number of the product.

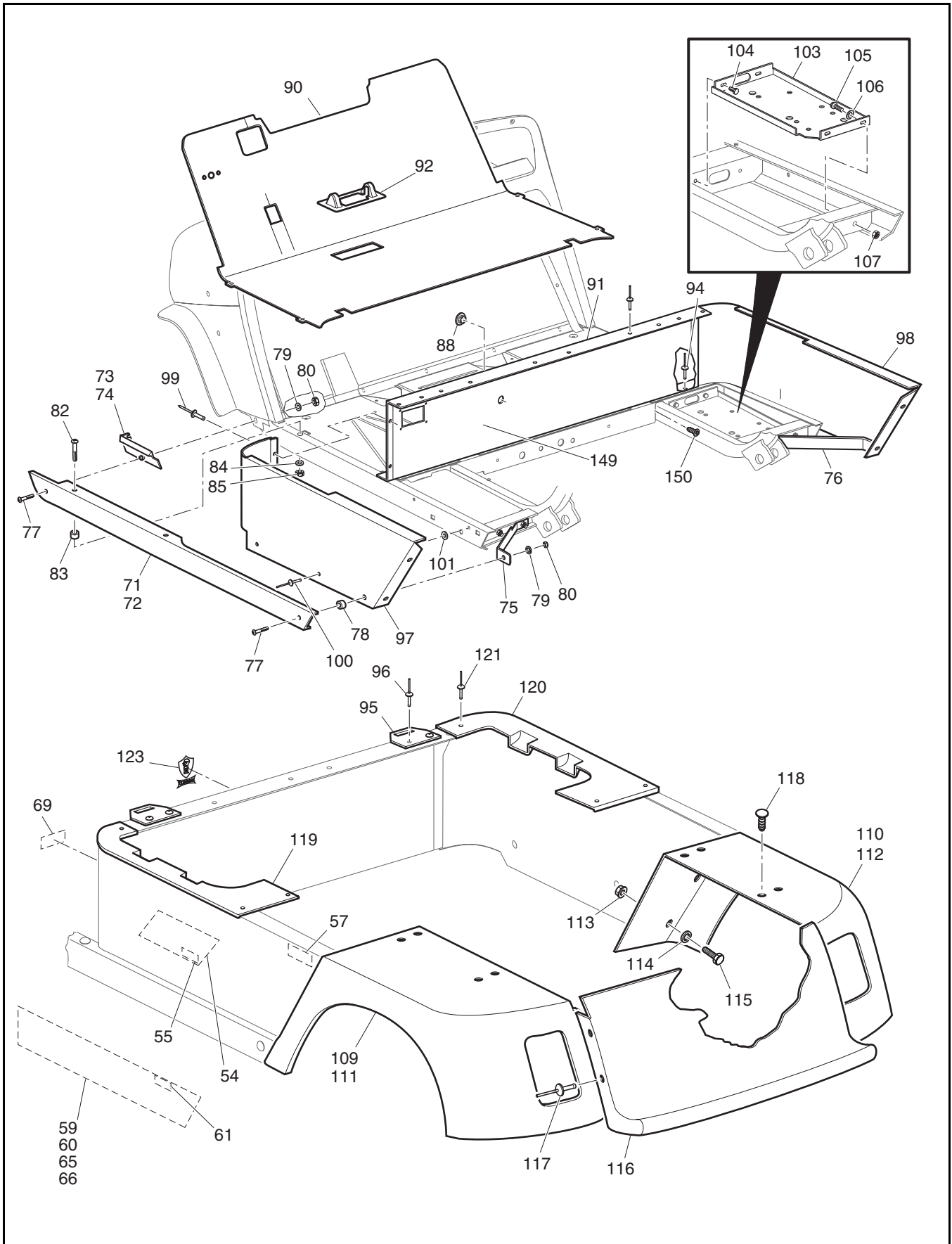
\* Indicates a component that is not available as an individual part.

G\*\* Indicates consult Customer Service Department for additional information.

| ITEM | PART NO.  | 1 | 2 | 3 | 4 | 5 | DESCRIPTION  | QTY. |
|------|-----------|---|---|---|---|---|--|------|
| 1    | 28435-G03 |   |   |   |   |   | <p>BATTERY CHARGER, LESTER, 36 VOLT, PORTABLE WITH POWERWISE CONNECTOR, CE APPROVED (OPTIONAL)</p> <p>For service or replacement parts, contact:<br/>                     Lester Electrical<br/>                     625 West "A" Street<br/>                     Lincoln, NE 68522</p> <p>Phone: (402) 477-8988, FAX: (402) 474-1769</p> <p>Always provide the following information when requesting information or ordering replacement parts:</p> <p>Model Number:<br/>                     Serial Number: (stamped into housing)</p> |      |

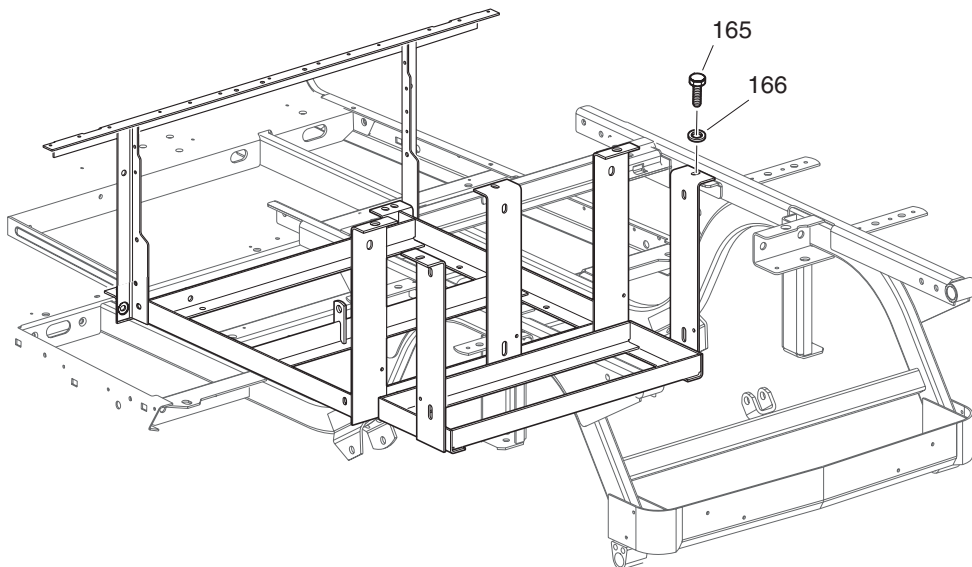
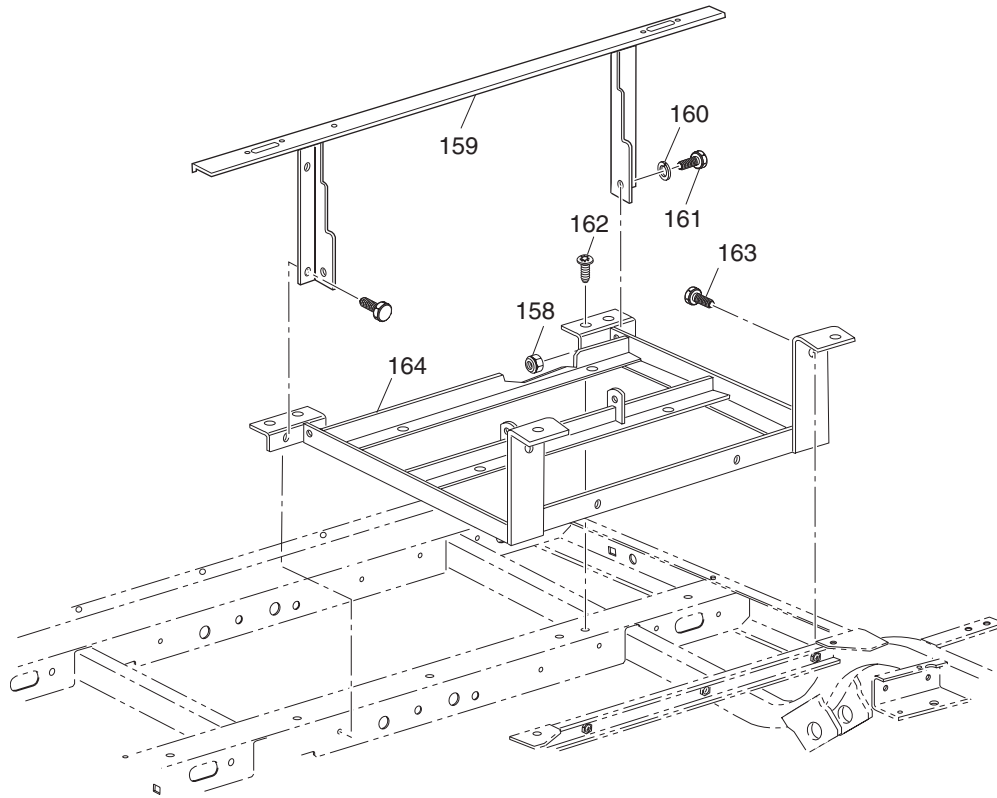
# BODY







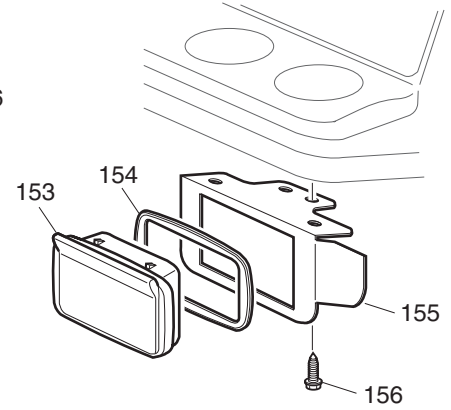
# BODY



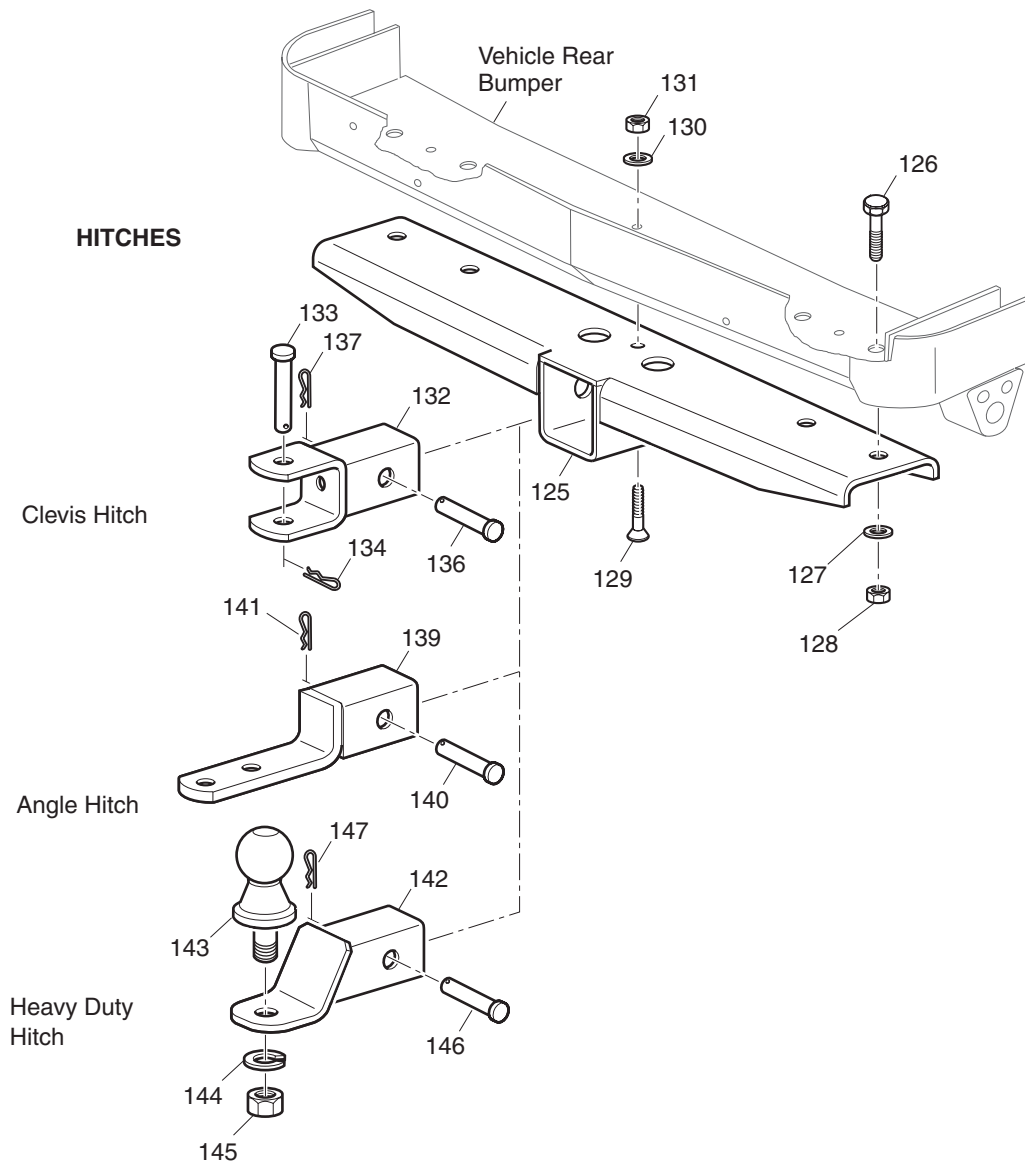
# BODY

## ASHTRAY

152 - Includes Items 153 - 156



## HITCHES



Ref Bod 21-3

# BODY

THE USE OF NON U.L. PARTS WILL VOID ANY U.L. LISTING.

When ordering parts, please specify the model and serial number of the product.

\* Indicates a component that is not available as an individual part.

G\*\* Indicates consult Customer Service Department for additional information.

| ITEM | PART NO.  | 1 2 3 4 5 | DESCRIPTION   | QTY. |
|------|-----------|-----------|---|------|
| 1    | 70662-G01 |           | UPPER FLOORPAN (AXLE MOUNTED STEERING) .....            | 1    |
| 2    | 14601-G11 |           | RIVET, 3/16" X 9/16" LG .....                           | 9    |
| 3    |           |           |   |      |
| 4    | 70451-G01 |           | LOWER FLOORPAN.....                                     | 1    |
| 5    | 14601-G11 |           | RIVET, 3/16" X 9/16" LG .....                           | 7    |
| 6    | 70452-G01 |           | ACCESS COVER.....                                       | 1    |
| 7    |           |           |   |      |
| 8    | 71151-G01 |           | INSTRUMENT PANEL ASSEMBLY (INCLUDES ITEMS 9 - 12) ..... | 1    |
| 9    | 71153-G01 |           | DEFLECTOR (PASSENGER SIDE) .....                        | 1    |
| 10   | 71154-G01 |           | DEFLECTOR (DRIVER SIDE).....                            | 1    |
| 11   | 00614-G5  |           | SCREW, #8 - 18 X 5/8" LG .....                          | 6    |
| 12   | 71158-G01 |           | INSTRUMENT PANEL INSERT (FOUR CUP).....                 | 1    |
| 13   | 71179-G02 |           | LABEL (SAFETY) (TEXT) .....                             | 1    |
| 14   | 74409-G01 |           | LABEL (SAFETY) (PICTOGRAPH).....                        | 1    |
| 15   | 74443-G01 |           | LABEL (ANTI-ROLLBACK) .....                             | 1    |
| 16   |           |           |   |      |
| 17   | 71413-G01 |           | SPLASH PANEL.....                                       | 1    |
| 18   | 16816-G2  |           | RATCHET FASTENER, 1/4" X 3/4" LG .....                  | 5    |
| 19   |           |           |   |      |
| 20   | 71115-G01 |           | VINYL TRIM .....  | 2    |
| 21   | 71055-G01 |           | RIVET, 3/16" X 1" LG .....                              | 10   |
| 22   |           |           |   |      |
| 23   | 71468-G** |           | COWL.....   | 1    |
| 24   | 71289-G01 |           | NAMEPLATE (E-Z-GO) (OVAL) .....                         | 1    |
| 25   | 28907-G01 |           | NAMEPLATE (JACOBSEN) (OVAL) .....                       | 1    |
| 26   | 74401-G01 |           | NAMEPLATE (CUSHMAN) (OVAL).....                         | 1    |
| 27   | 71055-G01 |           | RIVET, 3/16" X 1" LG .....                              | 9    |
| 28   | 71055-G01 |           | RIVET, 3/16" X 1" LG .....                              | 6    |
| 29   | 71338-G01 |           | FENDER FLARE (DRIVER SIDE).....                         | 1    |
| 30   | 71338-G02 |           | FENDER FLARE (PASSENGER SIDE) .....                     | 1    |

THE USE OF NON U.L. PARTS WILL VOID ANY U.L. LISTING.

When ordering parts, please specify the model and serial number of the product.

\* Indicates a component that is not available as an individual part.

G\*\* Indicates consult Customer Service Department for additional information.

| ITEM | PART NO.  | 1 2 3 4 5 | DESCRIPTION                                     | QTY. |
|------|-----------|-----------|---|------|
| 31   |           |           |   |      |
| 32   | 27166-G04 |           | FRONT SHIELD .....                              | 1    |
| 33   | 70725-G02 |           | FRONT SHIELD BRACE.....                         | 2    |
| 34   | 01038-G01 |           | SCREW, 1/4 - 20 X 1/2" LG.....                  | 4    |
| 35   | 16469-G1  |           | WASHER, 1/4" .....                              | 2    |
| 36   | 01057-G01 |           | RIVET, KTR, 1/4" X 1" LG .....                  | 2    |
| 37   |           |           |   |      |
| 38   | 74265-G02 |           | BUMPER .....                                    | 1    |
| 39   |           |           |   |      |
| 40   | 00570-G2  |           | WASHER, 5/16" .....                             | 2    |
| 41   | 75048-G04 |           | SPACER, 1".....                                 | 2    |
| 42   | 75048-G01 |           | SPACER, 1/2".....                               | 2    |
| 43   | 00905-G8  |           | LOCK WASHER, 5/16".....                         | 4    |
| 44   | 01035-G02 |           | BOLT, 5/16 - 18 X 2 1/2" LG .....               | 4    |
| 45   |           |           |   |      |
| 46   | 71101-G02 |           | COWL SUPPORT BRACKET .....                      | 1    |
| 47   | 71102-G02 |           | SELF TAPPING SCREW, 1/4 - 20 X 1/2" LG .....    | 3    |
| 48   | 71055-G01 |           | RIVET, 3/16" X 1 1/8" LG .....                  | 1    |
| 49   |           |           |   |      |
| 50   | 75459-G01 |           | GLOVE BOX DOORS (BOTH SIDES) .....              | 1    |
| 51   | 75459-G02 |           | GLOVE BOX DOOR (DRIVER SIDE) .....              | 1    |
| 52   | 75459-G03 |           | GLOVE BOX DOOR (PASSENGER SIDE).....            | 1    |
| 53   |           |           |   |      |
| 54   | 74801-G01 |           | LABEL (MPT™).....                               | 2    |
| 55   | 74805-G01 |           | LABEL (1000).....                               | 2    |
| 56   |           |           |   |      |
| 57   | 74099-G01 |           | LABEL, TILT WARNING PICTOGRAPH .....            | 2    |
| 58   |           |           |   |      |
| 59   | 28915-G01 |           | LABEL (JACOBSEN HAULER™) (DRIVER SIDE).....     | 1    |
| 60   | 28915-G02 |           | LABEL (JACOBSEN HAULER™) (PASSENGER SIDE) ..... | 1    |

# BODY

THE USE OF NON U.L. PARTS WILL VOID ANY U.L. LISTING.

When ordering parts, please specify the model and serial number of the product.

\* Indicates a component that is not available as an individual part.

G\*\* Indicates consult Customer Service Department for additional information.

| ITEM | PART NO.  | 1 2 3 4 5 | DESCRIPTION                                       | QTY. |
|------|-----------|-----------|---|------|
| 61   | 74805-G01 |           | LABEL (1000).....                                 | 2    |
| 62   |           |           |   |      |
| 63   |           |           |   |      |
| 64   |           |           |   |      |
| 65   | 28952-G01 |           | LABEL (CUSHMAN COMMANDER™) (DRIVER SIDE).....     | 1    |
| 66   | 28952-G02 |           | LABEL (CUSHMAN COMMANDER™) (PASSENGER SIDE) ..... | 1    |
| 67   |           |           |   |      |
| 68   |           |           |   |      |
| 69   | *         |           | SERIAL NUMBER PLATE .....                         | 1    |
| 70   |           |           |   |      |
| 71   | 71439-G03 |           | ROCKER PANEL (DRIVER SIDE) .....                  | 1    |
| 72   | 71439-G04 |           | ROCKER PANEL (PASSENGER SIDE).....                | 1    |
| 73   | 71424-G01 |           | FENDER SPACER (DRIVER SIDE).....                  | 1    |
| 74   | 71424-G02 |           | FENDER SPACER (PASSENGER SIDE) .....              | 1    |
| 75   | 71440-G03 |           | BRACE (DRIVER SIDE).....                          | 1    |
| 76   | 71440-G04 |           | BRACE (PASSENGER SIDE) .....                      | 1    |
| 77   | 00789-G2  |           | SCREW, #10 - 24 X 1 1/4" LG.....                  | 4    |
| 78   | 23726-G2  |           | SPACER, 1/4" .....                                | 2    |
| 79   | 00660-G5  |           | WASHER, #10.....                                  | 4    |
| 80   | 11098-G7  |           | LOCK NUT, #10 - 24 .....                          | 4    |
| 81   |           |           |   |      |
| 82   | 16705-G1  |           | SCREW, 1/4 - 20 X 1" LG.....                      | 4    |
| 83   | 23726-G2  |           | SPACER, 1/4" .....                                | 4    |
| 84   | 00559-G7  |           | WASHER, 1/4" .....                                | 4    |
| 85   | 14390-G4  |           | LOCK NUT, 1/4 - 20 .....                          | 4    |
| 86   |           |           |   |      |
| 87   |           |           |   |      |
| 88   | 20271-G9  |           | HOLE PLUG, 1/2" .....                             | 1    |
| 89   |           |           |   |      |
| 90   | 70663-G04 |           | FLOORMAT (AXLE MOUNTED STEERING).....             | 1    |

THE USE OF NON U.L. PARTS WILL VOID ANY U.L. LISTING.  
 When ordering parts, please specify the model and serial number of the product.  
 \* Indicates a component that is not available as an individual part.  
 G\*\* Indicates consult Customer Service Department for additional information.

| ITEM | PART NO.  | 1 2 3 4 5 | DESCRIPTION                                 | QTY. |
|------|-----------|-----------|---|------|
| 91   | 71739-G** |           | SEAT SUPPORT PANEL .....                    | 1    |
| 92   | 70135-G01 |           | PEDAL PIVOT COVER .....                     | 1    |
| 93   |           |           |   |      |
| 94   | 10570-G10 |           | RIVET, 5/32" X 9/16" LG .....               | 8    |
| 95   | 71609-G01 |           | SEAT HINGE PLATE .....                      | 2    |
| 96   | 10570-G11 |           | RIVET, 3/16" X 3/4" LG .....                | 4    |
| 97   | 71674-G01 |           | SIDE PANEL (DRIVER SIDE) .....              | 1    |
| 98   | 71674-G02 |           | SIDE PANEL (PASSENGER SIDE).....            | 1    |
| 99   | 10570-G10 |           | RIVET, 5/32" X 9/16" LG .....               | 4    |
| 100  | 10570-G12 |           | RIVET, 1/4" X 1/2" LG .....                 | 4    |
| 101  | 16469-G7  |           | WASHER, 1/4" .....                          | 4    |
| 102  |           |           |   |      |
| 103  | 70244-G03 |           | SPLASH PANEL.....                           | 2    |
| 104  | 00715-G2  |           | BOLT, 5/16 - 18 X 13/16" LG .....           | 4    |
| 105  | 00438-G8  |           | BOLT, 5/16 - 18 X 1" LG .....               | 4    |
| 106  | 00559-G8  |           | WASHER, 5/16" .....                         | 4    |
| 107  | 11098-G6  |           | LOCK NUT, 5/16 - 18 .....                   | 4    |
| 108  |           |           |   |      |
| 109  | 71572-G01 |           | FENDER (DRIVER SIDE) .....                  | 1    |
| 110  | 71572-G02 |           | FENDER (PASSENGER SIDE).....                | 1    |
| 111  | 71572-G03 |           | FENDER WITH TAILLIGHT (DRIVER SIDE) .....   | 1    |
| 112  | 71572-G04 |           | FENDER WITH TAILLIGHT (PASSENGER SIDE)..... | 1    |
| 113  | 11027-G2  |           | LOCK NUT, 1/4 - 20 .....                    | 12   |
| 114  | 00559-G7  |           | WASHER, 1/4" .....                          | 12   |
| 115  | 00414-G7  |           | BOLT, 1/4 - 20 X 7/8" LG .....              | 12   |
| 116  | 71587-G02 |           | REAR PANEL.....                             | 1    |
| 117  | 71055-G01 |           | RIVET, 3/16" X 1" LG .....                  | 4    |
| 118  | 16816-G2  |           | RATCHET FASTENER, 1/4" X 3/4" LG .....      |      |
| 119  | 75971-G01 |           | SEAT FILLER PANEL (DRIVER SIDE) .....       | 1    |
| 120  | 75971-G02 |           | SEAT FILLER PANEL (PASSENGER SIDE).....     | 1    |

# BODY

THE USE OF NON U.L. PARTS WILL VOID ANY U.L. LISTING.

When ordering parts, please specify the model and serial number of the product.

\* Indicates a component that is not available as an individual part.

G\*\* Indicates consult Customer Service Department for additional information.

| ITEM | PART NO.  | 1 2 3 4 5 | DESCRIPTION                            | QTY. |
|------|-----------|-----------|--|------|
| 121  | 10570-G10 |           | RIVET, 5/32" X 9/16" LG .....          | 6    |
| 122  |           |           |  |      |
| 123  | 74755-G01 |           | LABEL (E-SHIELD™).....                 | 1    |
| 124  |           |           |  |      |
| 125  | 74348-G02 |           | HITCH RECEIVER .....                   | 1    |
| 126  | 00463-G4  |           | BOLT, 7/16 - 14 X 1 1/2" LG .....      | 4    |
| 127  | 00922-G3  |           | WASHER, 7/16" .....                    | 4    |
| 128  | 00734-G1  |           | LOCK NUT, 7/16 - 14 .....              | 4    |
| 129  | 00198-G8  |           | SCREW, 5/16 - 18 X 1" LG.....          | 1    |
| 130  | 00559-G8  |           | WASHER, 5/16" .....                    | 1    |
| 131  | 11098-G6  |           | LOCK NUT, 5/16 - 18 .....              | 1    |
| 132  | 74338-G02 |           | CLEVIS HITCH.....                      | 1    |
| 133  | 14443-G7  |           | CLEVIS PIN, 1/2" X 2 1/2" LG .....     | 1    |
| 134  | 19314-G1  |           | COTTER PIN, 2 1/2" LG.....             | 1    |
| 135  |           |           |  |      |
| 136  | 21317-G01 |           | CLEVIS PIN, 5/8" X 3" LG .....         | 1    |
| 137  | 21683-G1  |           | COTTER PIN, 15/32" X 2 11/16" LG ..... | 1    |
| 138  |           |           |  |      |
| 139  | 74339-G02 |           | ANGLE HITCH .....                      | 1    |
| 140  | 21317-G01 |           | CLEVIS PIN, 5/8" X 3" LG .....         | 1    |
| 141  | 21683-G1  |           | COTTER PIN, 15/32" X 2 11/16" LG ..... | 1    |
| 142  | 74351-G02 |           | HEAVY DUTY HITCH.....                  | 1    |
| 143  | 31757-G1  |           | HITCH BALL, 1 7/8" .....               | 1    |
| 144  | 00566-G6  |           | LOCK WASHER, 3/4" .....                | 1    |
| 145  | 00702-G11 |           | NUT, 3/4 - 16 .....                    | 1    |
| 146  | 21317-G01 |           | CLEVIS PIN, 5/8" X 3" LG .....         | 1    |
| 147  | 21683-G1  |           | COTTER PIN, 15/32" X 2 11/16" LG ..... | 1    |
| 148  |           |           |  |      |
| 149  |           |           |  |      |
| 150  |           |           |  |      |

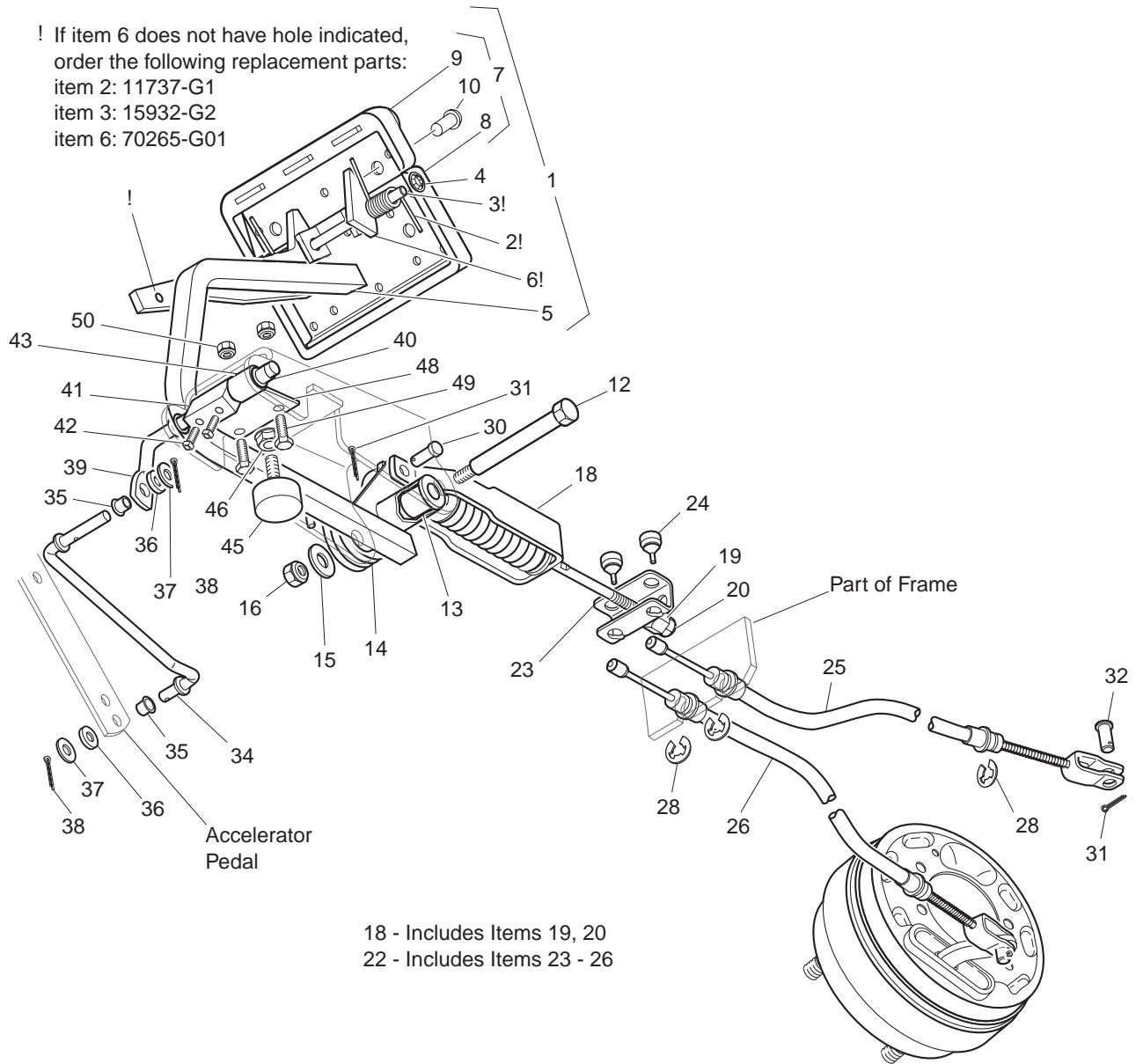
THE USE OF NON U.L. PARTS WILL VOID ANY U.L. LISTING.  
 When ordering parts, please specify the model and serial number of the product.  
 \* Indicates a component that is not available as an individual part.  
 G\*\* Indicates consult Customer Service Department for additional information.

| ITEM | PART NO.  | 1 | 2 | 3 | 4 | 5 | DESCRIPTION                                   | QTY. |
|------|-----------|---|---|---|---|---|---|------|
| 151  |           |   |   |   |   |   |   |      |
| 152  | 75109-G04 |   |   |   |   |   | ASH TRAY KIT (INCLUDES ITEMS 153 - 156) ..... | 1    |
| 153  | 27731-G01 |   |   |   |   |   | ASH TRAY .....                                | 1    |
| 154  | 27736-G01 |   |   |   |   |   | GASKET .....                                  | 1    |
| 155  | 75108-G02 |   |   |   |   |   | BRACKET .....                                 | 1    |
| 156  | 00100-G4  |   |   |   |   |   | SCREW, #10 - 16 X 1/2" LG .....               | 4    |
| 157  |           |   |   |   |   |   |   |      |
| 158  | 11098-G6  |   |   |   |   |   | LOCK NUT, 5/16 - 18 .....                     | 2    |
| 159  | 70441-G02 |   |   |   |   |   | SEAT FRAME .....                              | 1    |
| 160  | 00559-G8  |   |   |   |   |   | WASHER, 5/16" .....                           | 2    |
| 161  | 00438-G6  |   |   |   |   |   | BOLT, 5/16 - 18 X 3/4" LG .....               | 2    |
| 162  | 70200-G01 |   |   |   |   |   | SCREW, 3/8 - 16 X 1/4" LG.....                | 2    |
| 163  | 00715-G2  |   |   |   |   |   | BOLT, 5/16 - 18 X 13/16" LG .....             | 4    |
| 164  | 70046-G02 |   |   |   |   |   | BATTERY RACK .....                            | 1    |
| 165  | 00438-G6  |   |   |   |   |   | BOLT, 5/16 - 18 X 3/4" LG .....               | 3    |
| 166  | 00565-G8  |   |   |   |   |   | WASHER, 5/16" .....                           | 3    |

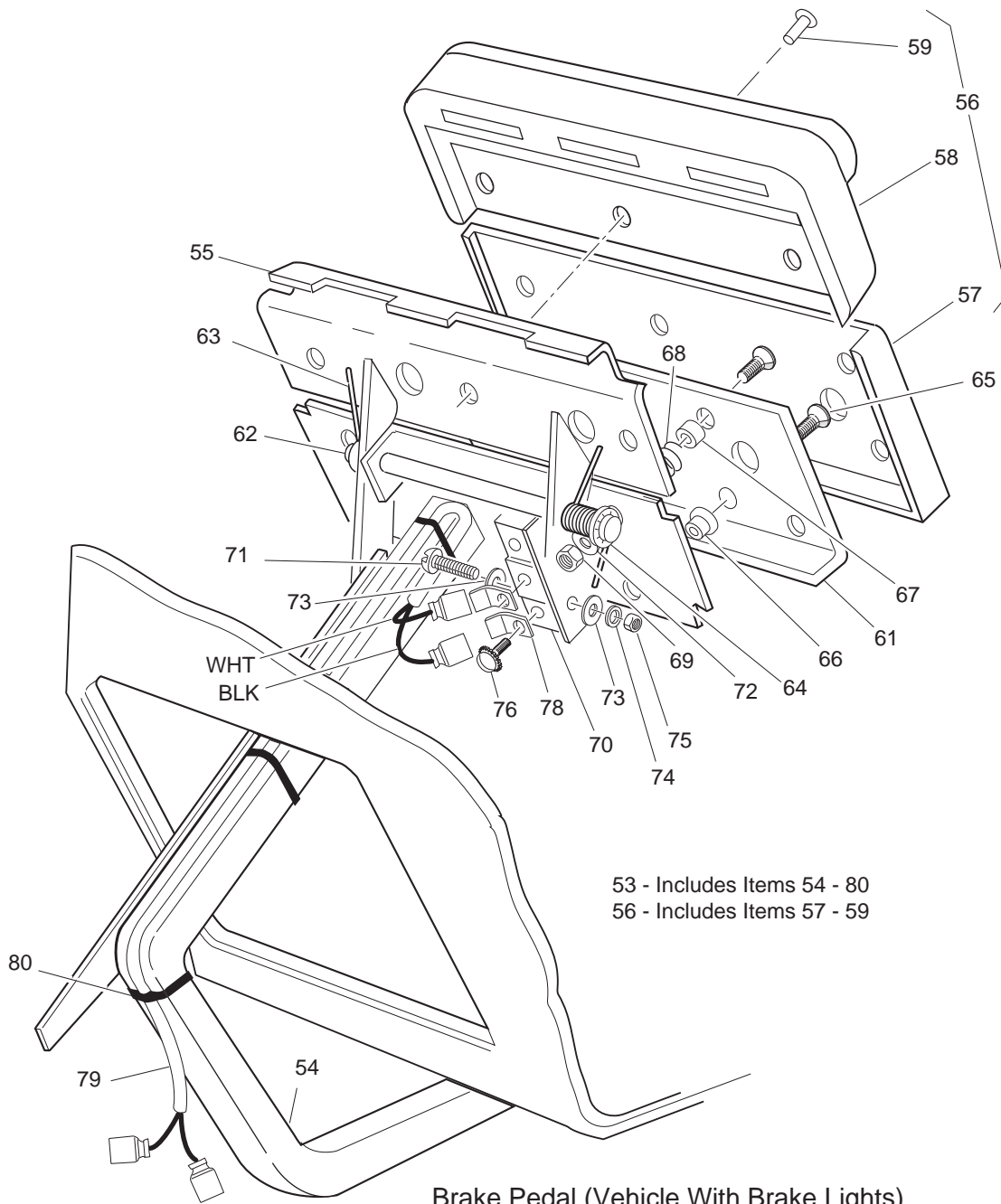


# BRAKES

! If item 6 does not have hole indicated,  
order the following replacement parts:  
item 2: 11737-G1  
item 3: 15932-G2  
item 6: 70265-G01

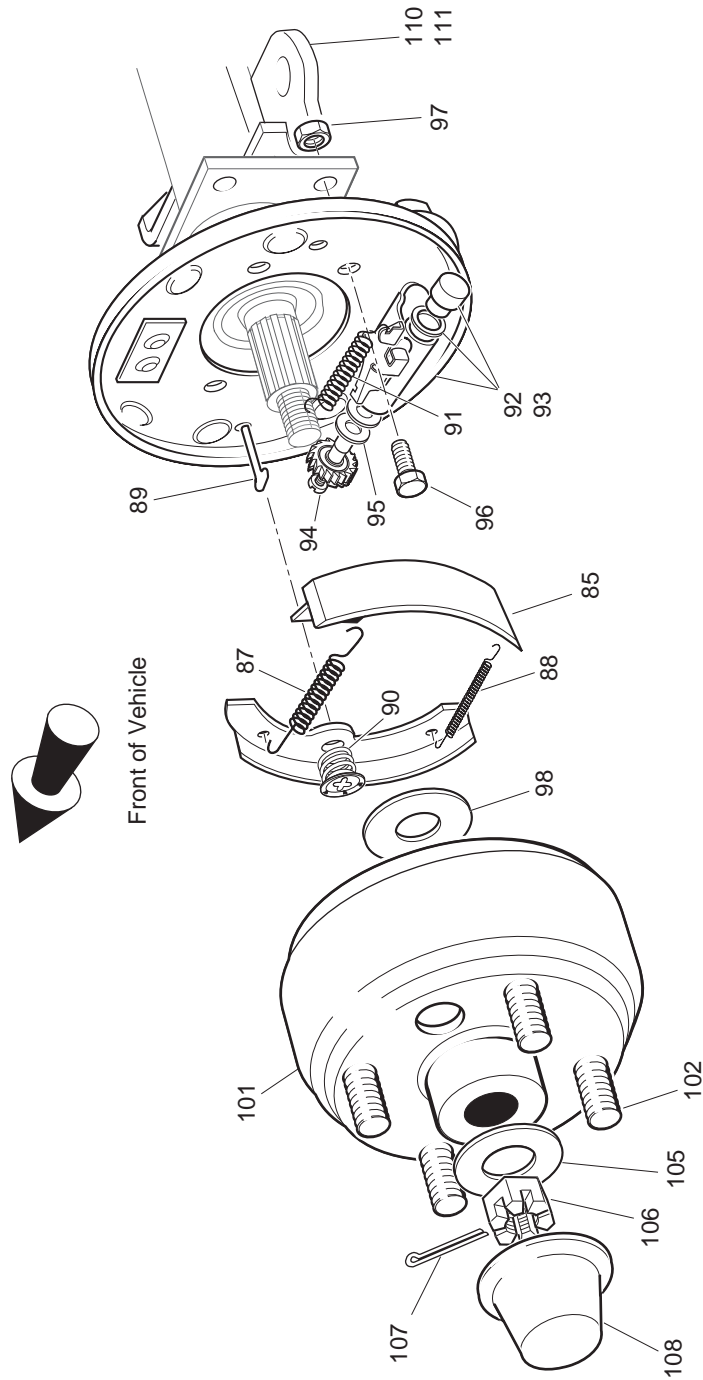


Ref Brk 4-1



Ref Brk 4-2

# BRAKES



- 82 - Includes Items 84 - 92
- 83 - Includes Items 84-91, 93
- 84 - Includes Items 85
- 86 - Includes Items 87 - 91
- 92 - Includes Items 94, 95
- 93 - Includes Items 94, 95
- 100 - Includes Items 101, 102

Ref Brk 4-3

# BRAKES

THE USE OF NON U.L. PARTS WILL VOID ANY U.L. LISTING.

When ordering parts, please specify the model and serial number of the product.

\* Indicates a component that is not available as an individual part.

G\*\* Indicates consult Customer Service Department for additional information.

| ITEM | PART NO.  | 1 2 3 4 5 | DESCRIPTION   | QTY. |
|------|-----------|-----------|---|------|
| 1    | 70612-G02 |           | BRAKE PEDAL ASSEMBLY (WITHOUT BRAKE LIGHTS)<br>(INCLUDES ITEMS 2 - 10)..... | 1    |
| 2    | 70681-G01 |           | TORSION SPRING.....   | 2    |
| 3    | 70682-G01 |           | PIVOT PIN.....  | 1    |
| 4    | 01071-G01 |           | PUSHNUT, 5/16".....   | 1    |
| 5    | *         |           | BRAKE PEDAL.....  | 1    |
| 6    | 70611-G02 |           | PARK BRAKE PEDAL.....   | 1    |
| 7    | 70274-G01 |           | BRAKE/PARK BRAKE PEDAL PAD KIT<br>(INCLUDES ITEMS 8 - 10).....              | 1    |
| 8    | *         |           | SERVICE BRAKE PAD.....  | 1    |
| 9    | *         |           | PARK BRAKE PEDAL PAD.....   | 1    |
| 10   | 15766-G1  |           | OVAL RIVET, 3/16" X 3/8" LG.....  | 9    |
| 11   |           |           |   |      |
| 12   | 70582-G01 |           | SHOULDER BOLT, 3/8 - 16 X 4" LG.....  | 1    |
| 13   | 70581-G01 |           | FLANGED BUSHING.....  | 2    |
| 14   | 70676-G01 |           | TORSION SPRING.....   | 1    |
| 15   | 00643-G1  |           | WASHER, 3/8".....   | 1    |
| 16   | 11098-G5  |           | LOCK NUT, 3/8 - 16.....   | 1    |
| 17   |           |           |   |      |
| 18   | 70272-G04 |           | COMPENSATOR ASSEMBLY (INCLUDES ITEMS 19, 20).....                           | 1    |
| 19   | 00963-G01 |           | SPHERICAL NUT, 5/16 - 24.....   | 1    |
| 20   | 11098-G9  |           | LOCK NUT, 5/16 - 24.....  | 1    |
| 21   |           |           |   |      |
| 22   | 70969-G05 |           | EQUALIZER AND BRAKE CABLE ASSEMBLY (INCLUDES ITEMS 23-26).....              | 1    |
| 23   | 28082-G01 |           | EQUALIZER BRACKET.....  | 1    |
| 24   | 28083-G01 |           | BRAKE COMPENSATOR BUMPER.....   | 2    |
| 25   | *         |           | BRAKE CABLE (DRIVER SIDE).....  | 1    |
| 26   | *         |           | BRAKE CABLE (PASSENGER SIDE).....   | 1    |
| 27   |           |           |   |      |
| 28   | 01111-G01 |           | RETAINING RING, 13/32" (STAINLESS STEEL).....                               | 4    |
| 29   |           |           |   |      |

# BRAKES

THE USE OF NON U.L. PARTS WILL VOID ANY U.L. LISTING.

When ordering parts, please specify the model and serial number of the product.

\* Indicates a component that is not available as an individual part.

G\*\* Indicates consult Customer Service Department for additional information.

| ITEM | PART NO.  | 1 2 3 4 5 | DESCRIPTION   | QTY. |
|------|-----------|-----------|---|------|
| 30   | 10386-G3  |           | CLEVIS PIN, 5/16" X 1" LG .....   | 3    |
| 31   | 10387-G3  |           | COTTER PIN, 3/32" X 3/4" LG .....   | 3    |
| 32   | 14443-G2  |           | CLEVIS PIN, 5/16" X 3/4" LG .....   | 2    |
| 33   |           |           |   |      |
| 34   | 70601-G01 |           | KICK-OFF LINK.....  | 1    |
| 35   | 17838-G1  |           | NYLON BUSHING.....  | 2    |
| 36   | 20835-G1  |           | TEFLON WASHER, 3/8" .....   | 2    |
| 37   | 00559-G8  |           | WASHER, 5/16" .....   | 2    |
| 38   | 10387-G3  |           | COTTER PIN, 3/32" X 3/4" LG .....   | 2    |
| 39   | 70098-G01 |           | KICK-OFF CAM PIVOT .....  | 1    |
| 40   | 10097-G6  |           | FLANGED BEARING .....   | 2    |
| 41   | 70587-G01 |           | KICK-OFF CAM.....   | 1    |
| 42   | 71215-G01 |           | SETSCREW, 1/4 - 20 X 1/2" LG.....   | 2    |
| 43   | 14134-G4  |           | SPACER.....   | 1    |
| 44   |           |           |   |      |
| 45   | 70113-G01 |           | ADJUSTABLE BUMPER .....   | 1    |
| 46   | 11027-G1  |           | LOCK NUT, 5/16 - 18 .....   | 1    |
| 47   |           |           |   |      |
| 48   | 70080-G02 |           | CATCH BRACKET .....   | 1    |
| 49   | 00414-G6  |           | BOLT, 1/4 - 20 X 3/4" LG .....  | 2    |
| 50   | 00891-G2  |           | LOCK NUT, 1/4 - 20 .....  | 2    |
| 51   |           |           |   |      |
| 52   |           |           |   |      |
| 53   | 70690-G02 |           | BRAKE PEDAL ASSEMBLY (WITH BRAKE LIGHTS)<br>(INCLUDES ITEMS 54 - 80)..... | 1    |
| 54   | *         |           | BRAKE PEDAL.....  | 1    |
| 55   | 70611-G02 |           | PARK BRAKE PEDAL .....  | 1    |
| 56   | 70274-G01 |           | BRAKE/PARK BRAKE PEDAL PAD KIT (INCLUDES ITEMS 57 - 59).....              | 1    |
| 57   | *         |           | SERVICE BRAKE PAD .....   | 1    |
| 58   | *         |           | PARK BRAKE PAD.....   | 1    |

# BRAKES

THE USE OF NON U.L. PARTS WILL VOID ANY U.L. LISTING.

When ordering parts, please specify the model and serial number of the product.

\* Indicates a component that is not available as an individual part.

G\*\* Indicates consult Customer Service Department for additional information.

| ITEM | PART NO.  | 1 | 2 | 3 | 4 | 5 | DESCRIPTION  | QTY. |
|------|-----------|---|---|---|---|---|--|------|
| 59   | 15766-G1  |   |   |   |   |   | OVAL RIVET, 3/16" x 3/8" LG.....                               | 9    |
| 60   |           |   |   |   |   |   |  |      |
| 61   | 70258-G03 |   |   |   |   |   | SERVICE BRAKE PEDAL PLATE .....                                | 1    |
| 62   | 70682-G01 |   |   |   |   |   | PIVOT PIN .....  | 1    |
| 63   | 70681-G01 |   |   |   |   |   | TORSION SPRING.....  | 2    |
| 64   | 12064-G1  |   |   |   |   |   | PUSHNUT, 5/16".....  | 1    |
| 65   | 00737-G8  |   |   |   |   |   | SCREW, #10 - 24 X 1" LG .....                                  | 4    |
| 66   | 00739-G1  |   |   |   |   |   | RUBBER NUT, #10 - 24.....                                      | 2    |
| 67   | 22362-G3  |   |   |   |   |   | BRAKE PEDAL STANDOFF.....                                      | 2    |
| 68   | 27137-G01 |   |   |   |   |   | CONICAL SPRING .....   | 2    |
| 69   | 11098-G7  |   |   |   |   |   | LOCK NUT, #10 - 24.....  | 2    |
| 70   | 10606-G8  |   |   |   |   |   | MICRO SWITCH.....  | 1    |
| 71   | 00957-G1  |   |   |   |   |   | SCREW, #6 - 32 X 1 1/4" LG .....                               | 2    |
| 72   | 00559-G5  |   |   |   |   |   | WASHER, #10 .....  | 2    |
| 73   | 00559-G3  |   |   |   |   |   | WASHER, #6 .....   | 4    |
| 74   | 00565-G3  |   |   |   |   |   | LOCK WASHER, #6 .....  | 2    |
| 75   | 00525-G5  |   |   |   |   |   | NUT, #6 - 32.....  | 2    |
| 76   | 13514-G1  |   |   |   |   |   | SCREW AND LOCK WASHER, #6.....                                 | 2    |
| 77   |           |   |   |   |   |   |  |      |
| 78   | 14628-G1  |   |   |   |   |   | FASTON TAB.....  | 2    |
| 79   | 24605-G1  |   |   |   |   |   | WIRE HARNESS (BRAKE LIGHT).....                                | 1    |
| 80   | 17618-G1  |   |   |   |   |   | WIRE TIE .....   | 3    |
| 81   |           |   |   |   |   |   |  |      |
| 82   | 70998-G01 |   |   |   |   |   | BRAKE ASSEMBLY (DRIVER SIDE) (INCLUDES ITEMS 84 - 95).....     | 1    |
| 83   | 70998-G02 |   |   |   |   |   | BRAKE ASSEMBLY (PASSENGER SIDE) (INCLUDES ITEMS 84 - 95) ..... | 1    |
| 84   | 70794-G01 |   |   |   |   |   | BRAKE SHOE KIT (INCLUDES ITEM 85).....                         | 2    |
| 85   | *         |   |   |   |   |   | BRAKE SHOE .....   | 2    |
| 86   | 27944-G01 |   |   |   |   |   | BRAKE SPRING KIT (INCLUDES ITEMS 87 - 91).....                 | 2    |
| 87   | *         |   |   |   |   |   | UPPER SPRING .....   | 1    |
| 88   | *         |   |   |   |   |   | LOWER SPRING .....   | 1    |

# BRAKES

THE USE OF NON U.L. PARTS WILL VOID ANY U.L. LISTING.

When ordering parts, please specify the model and serial number of the product.

\* Indicates a component that is not available as an individual part.

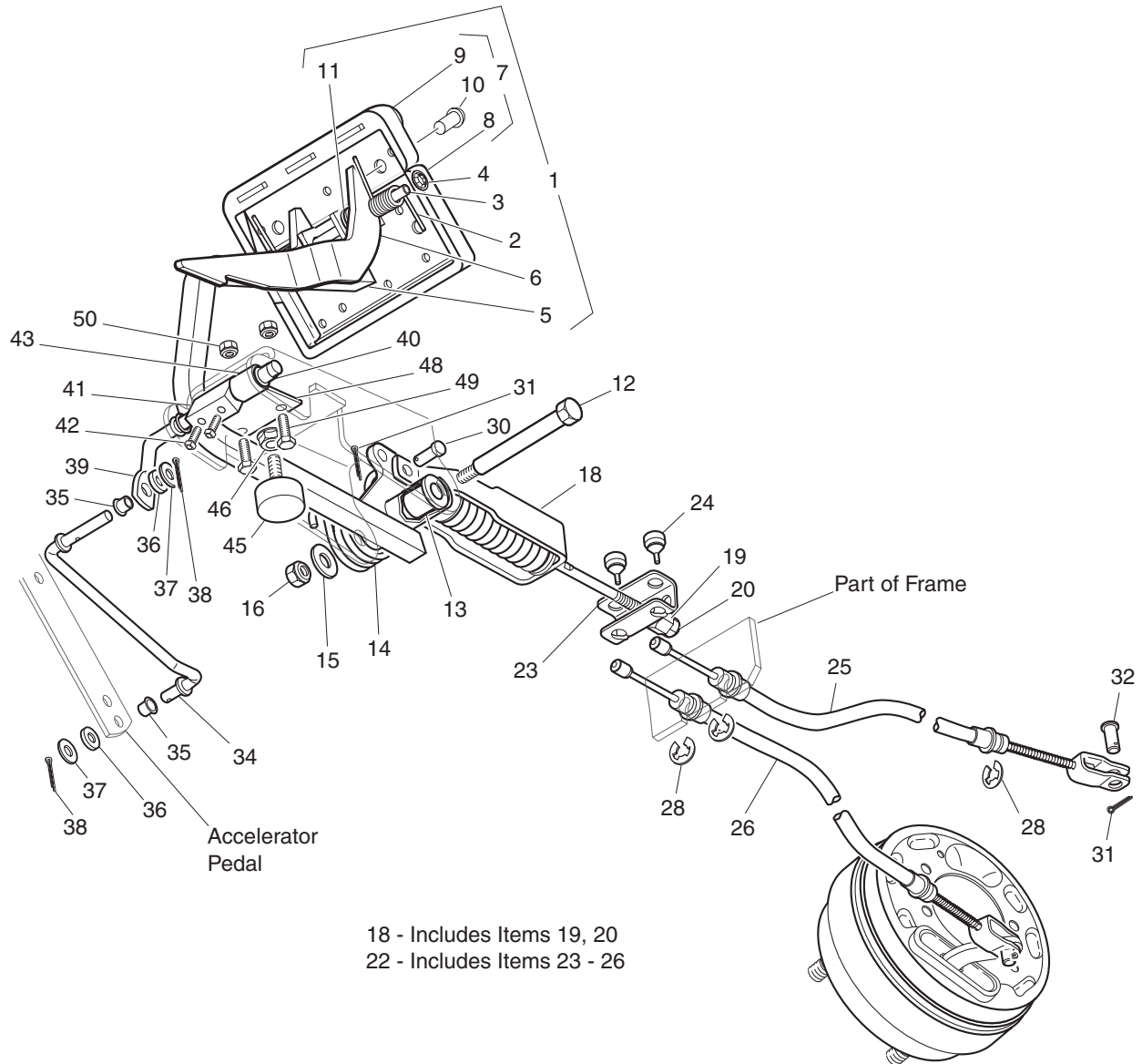
G\*\* Indicates consult Customer Service Department for additional information.

| ITEM | PART NO.  | 1 | 2 | 3 | 4 | 5 | DESCRIPTION  | QTY. |
|------|-----------|---|---|---|---|---|--|------|
| 89   | *         |   |   |   |   |   | PIN .....  | 2    |
| 90   | *         |   |   |   |   |   | CUP AND SPRING .....   | 2    |
| 91   | *         |   |   |   |   |   | ADJUSTER SPRING.....   | 1    |
| 92   | 72582-G01 |   |   |   |   |   | BRAKE ADJUSTER KIT (DRIVER SIDE) (INCLUDES ITEMS 94, 95) ..... | 1    |
| 93   | 72582-G02 |   |   |   |   |   | BRAKE ADJUSTER KIT (PASSENGER SIDE) (INCL. ITEMS 94, 95).....  | 1    |
| 94   | *         |   |   |   |   |   | ADJUSTER .....   | 1    |
| 95   | *         |   |   |   |   |   | TEFLON WASHER.....   | 2    |
| 96   | 17083-G2  |   |   |   |   |   | BOLT, 5/16 - 24 X 1" LG .....                                  | 8    |
| 97   | 15126-G1  |   |   |   |   |   | LOCK NUT, 5/16 - 24 .....                                      | 8    |
| 98   | 21809-G1  |   |   |   |   |   | INNER BRAKE DRUM WASHER.....                                   | 2    |
| 99   |           |   |   |   |   |   |  |      |
| 100  | 21807-G1  |   |   |   |   |   | BRAKE DRUM ASSEMBLY (INCLUDES ITEMS 101 - 102).....            | 2    |
| 101  | *         |   |   |   |   |   | BRAKE DRUM.....  | 1    |
| 102  | 19862-G1  |   |   |   |   |   | LUG BOLT, 1/2 - 20.....  | 4    |
| 103  |           |   |   |   |   |   |  |      |
| 104  |           |   |   |   |   |   |  |      |
| 105  | 21830-G1  |   |   |   |   |   | WASHER, 1 3/8" O.D. X 21/32" .....                             | 2    |
| 106  | 00518-G8  |   |   |   |   |   | SLOTTED NUT, 5/8 - 18.....                                     | 2    |
| 107  | 10387-G1  |   |   |   |   |   | COTTER PIN, 1/8" X 1 1/2" LG .....                             | 2    |
| 108  | 74175-G01 |   |   |   |   |   | SPINDLE CAP.....   | 2    |
| 109  |           |   |   |   |   |   |  |      |
| 110  | 72036-G03 |   |   |   |   |   | BRAKE CABLE BRACKET (PASSENGER SIDE).....                      | 1    |
| 111  | 72036-G04 |   |   |   |   |   | BRAKE CABLE BRACKET (DRIVER SIDE) .....                        | 1    |

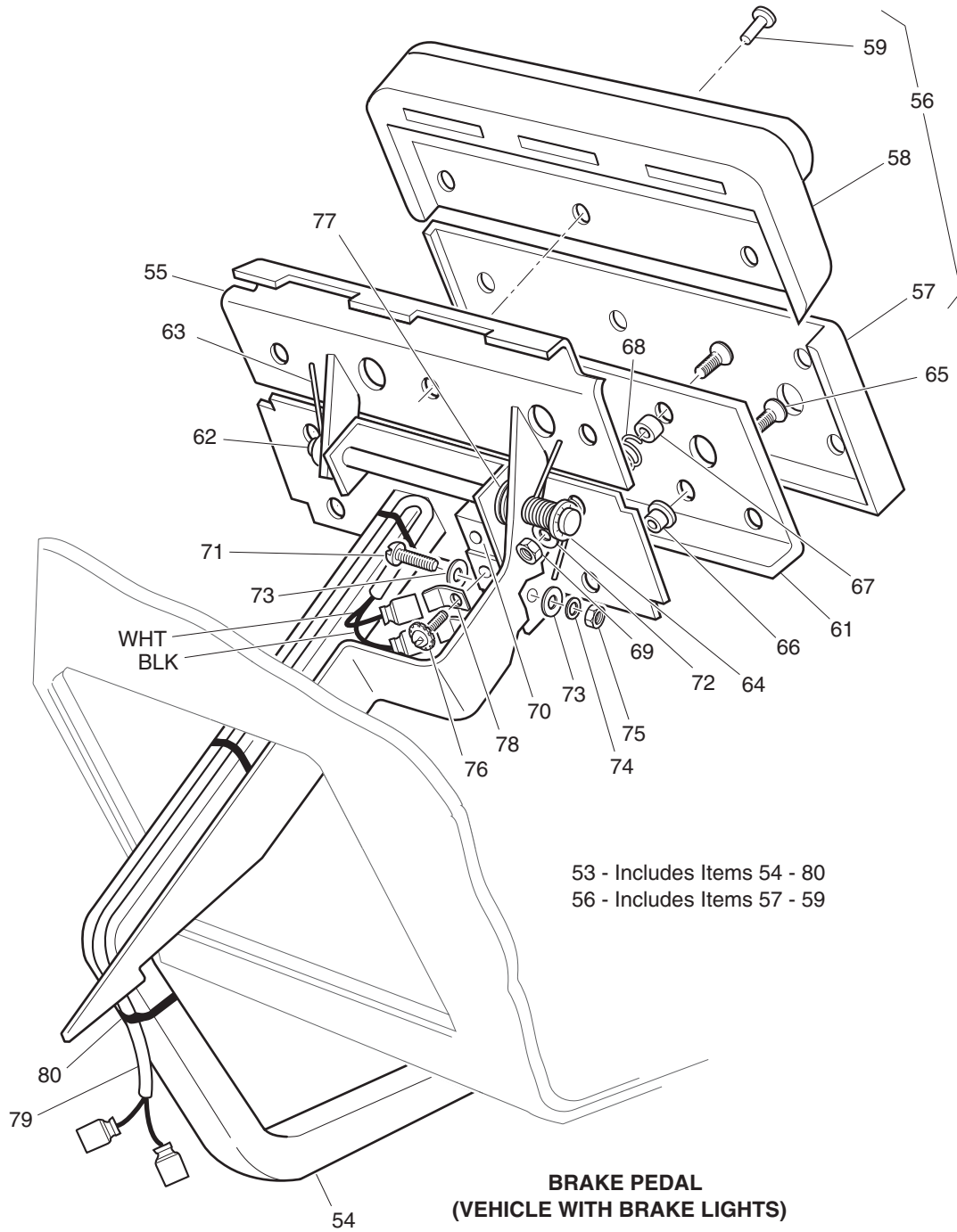




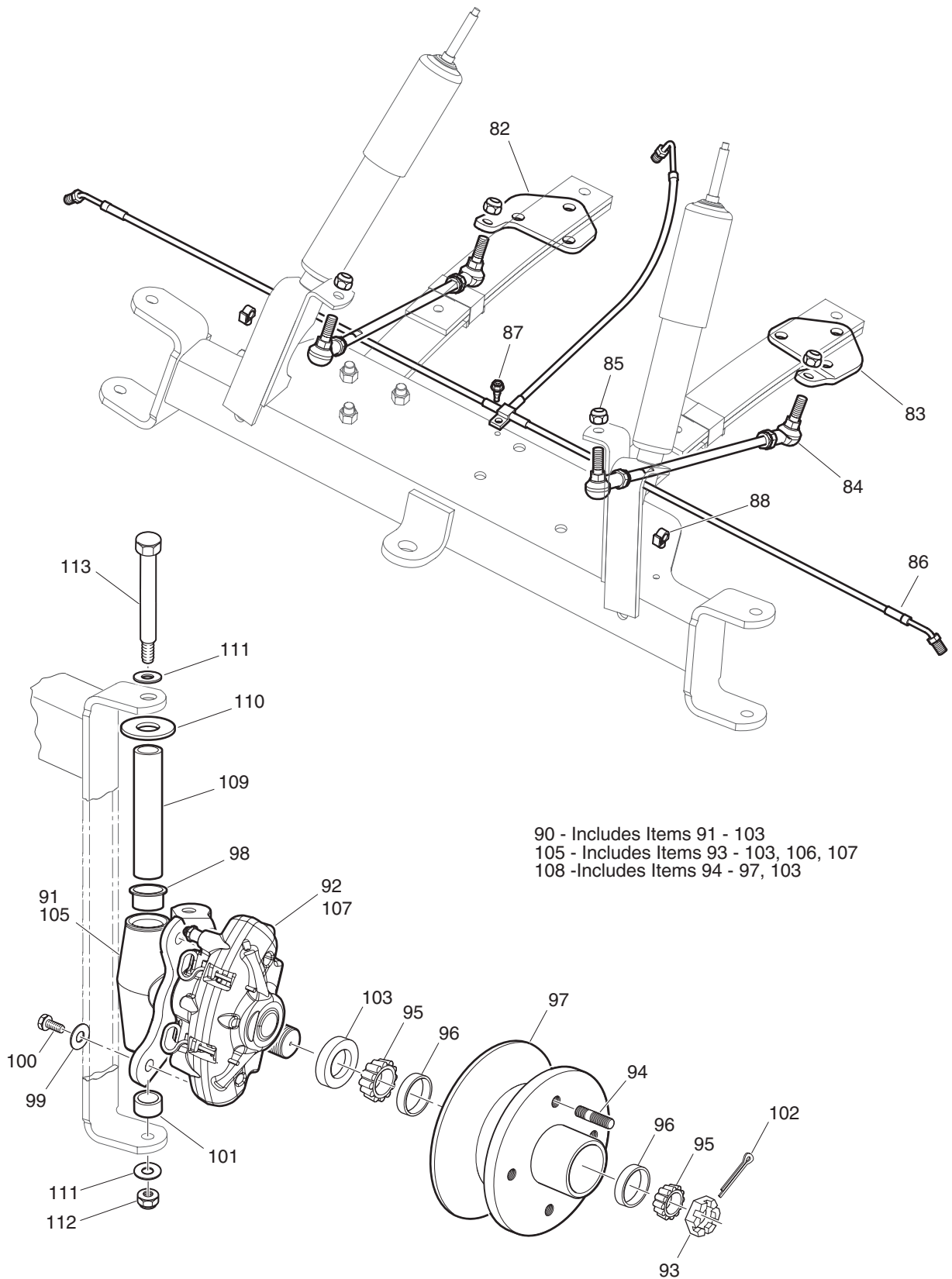
# BRAKES - FRONT DISC



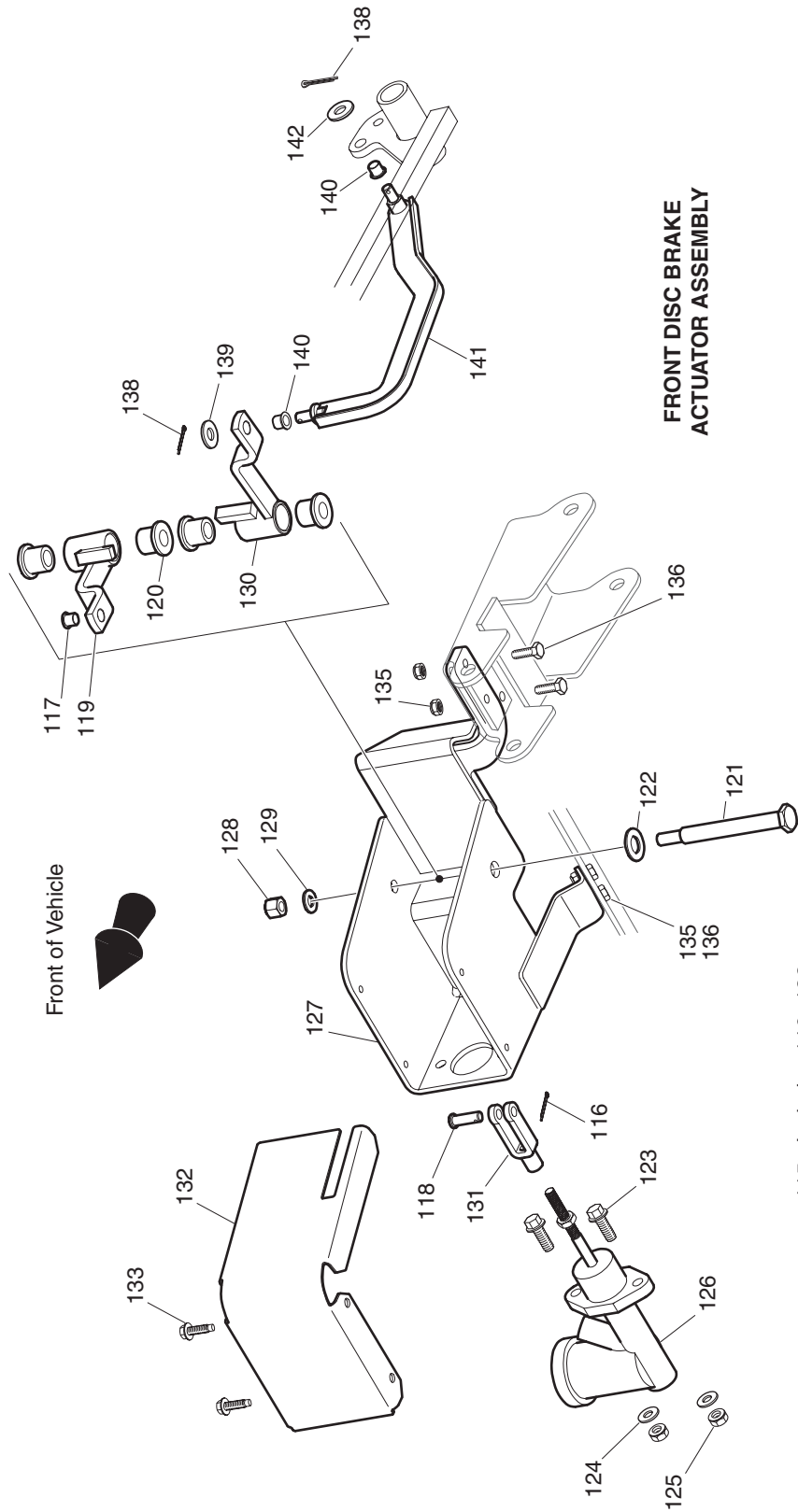
Ref Brh 21-1



# BRAKES - FRONT DISC



Ref Brh 21-3



115 - Includes 116 -133

# BRAKES - FRONT DISC

THE USE OF NON U.L. PARTS WILL VOID ANY U.L. LISTING.

When ordering parts, please specify the model and serial number of the product.

\* Indicates a component that is not available as an individual part.

G\*\* Indicates consult Customer Service Department for additional information.

| ITEM | PART NO.  | 1 2 3 4 5 | DESCRIPTION  | QTY. |
|------|-----------|-----------|--|------|
| 1    | 74723-G01 |           | BRAKE PEDAL ASSEMBLY (WITHOUT BRAKE LIGHTS)<br>(INCLUDES ITEMS 2 - 11) ..... | 1    |
| 2    | 70681-G01 |           | TORSION SPRING .....   | 2    |
| 3    | 70682-G01 |           | PIVOT PIN .....  | 1    |
| 4    | 01071-G01 |           | PUSHNUT, 5/16" .....   | 1    |
| 5    | *         |           | BRAKE PEDAL .....  | 1    |
| 6    | 74724-G01 |           | PARK BRAKE PEDAL .....   | 1    |
| 7    | 70274-G01 |           | BRAKE/PARK BRAKE PEDAL PAD KIT<br>(INCLUDES ITEMS 8 - 10) .....              | 1    |
| 8    | *         |           | SERVICE BRAKE PAD .....  | 1    |
| 9    | *         |           | PARK BRAKE PEDAL PAD .....   | 1    |
| 10   | 16409-G1  |           | OVAL RIVET, 3/16" X 15/32" LG .....  | 9    |
| 11   | 20835-G1  |           | WASHER, TEFLON, 3/8" .....   | 2    |
| 12   | 70582-G01 |           | SHOULDER BOLT, 3/8 - 16 X 4" LG .....  | 1    |
| 13   | 70581-G01 |           | FLANGED BUSHING .....  | 2    |
| 14   | 70676-G01 |           | TORSION SPRING .....   | 1    |
| 15   | 00643-G1  |           | WASHER, 3/8" .....   | 1    |
| 16   | 11098-G5  |           | LOCK NUT, 3/8 - 16 .....   | 1    |
| 17   |           |           |  |      |
| 18   | 70272-G04 |           | COMPENSATOR ASSEMBLY (INCLUDES ITEMS 19, 20) .....                           | 1    |
| 19   | 00963-G01 |           | SPHERICAL NUT, 5/16 - 24 .....   | 1    |
| 20   | 11098-G9  |           | LOCK NUT, 5/16 - 24 .....  | 1    |
| 21   |           |           |  |      |
| 22   | 70969-G05 |           | EQUALIZER AND BRAKE CABLE ASSEMBLY (INCLUDES ITEMS 23 - 26)....              | 1    |
| 23   | 28082-G01 |           | EQUALIZER BRACKET .....  | 1    |
| 24   | 28083-G01 |           | BRAKE COMPENSATOR BUMPER.....  | 2    |
| 25   | *         |           | BRAKE CABLE (DRIVER SIDE).....   | 1    |
| 26   | *         |           | BRAKE CABLE (PASSENGER SIDE) .....   | 1    |
| 27   |           |           |  |      |
| 28   | 01111-G01 |           | RETAINING RING, S.S.....   | 4    |
| 29   |           |           |  |      |

## BRAKES - FRONT DISC

THE USE OF NON U.L. PARTS WILL VOID ANY U.L. LISTING.

When ordering parts, please specify the model and serial number of the product.

\* Indicates a component that is not available as an individual part.

G\*\* Indicates consult Customer Service Department for additional information.

| ITEM | PART NO.  | 1 2 3 4 5 | DESCRIPTION   | QTY. |
|------|-----------|-----------|---|------|
| 30   | 10386-G3  |           | CLEVIS PIN, 5/16" X 1" LG .....   | 3    |
| 31   | 10387-G3  |           | COTTER PIN, 3/32" X 3/4" LG .....   | 3    |
| 32   | 14443-G2  |           | CLEVIS PIN, 5/16" X 3/4" LG .....   | 2    |
| 33   |           |           |   |      |
| 34   | 70601-G01 |           | KICK-OFF LINK.....  | 1    |
| 35   | 17838-G1  |           | NYLON BUSHING.....  | 2    |
| 36   | 20835-G1  |           | TEFLON WASHER, 3/8" .....   | 2    |
| 37   | 00559-G8  |           | WASHER, 5/16" .....   | 2    |
| 38   | 10387-G3  |           | COTTER PIN, 3/32" X 3/4" LG .....   | 2    |
| 39   | 70098-G01 |           | KICK-OFF CAM PIVOT .....  | 1    |
| 40   | 10097-G6  |           | FLANGED BEARING .....   | 2    |
| 41   | 70587-G01 |           | KICK-OFF CAM.....   | 1    |
| 42   | 71215-G01 |           | SETSCREW, 1/4 - 20 X 1/2" LG.....   | 2    |
| 43   | 14134-G4  |           | SPACER.....   | 1    |
| 44   |           |           |   |      |
| 45   | 70113-G01 |           | ADJUSTABLE BUMPER .....   | 1    |
| 46   | 11027-G1  |           | LOCK NUT, 5/16 - 18 .....   | 1    |
| 47   |           |           |   |      |
| 48   | 70080-G01 |           | CATCH BRACKET .....   | 1    |
| 49   | 00414-G6  |           | BOLT, 1/4 - 20 X 3/4" LG .....  | 2    |
| 50   | 00891-G2  |           | LOCK NUT, 1/4 - 20 .....  | 2    |
| 51   |           |           |   |      |
| 52   |           |           |   |      |
| 53   | 74874-G01 |           | BRAKE PEDAL ASSEMBLY (WITH BRAKE LIGHTS)<br>(INCLUDES ITEMS 54 - 80)..... | 1    |
| 54   | *         |           | BRAKE PEDAL.....  | 1    |
| 55   | 74724-G01 |           | PARK BRAKE PEDAL .....  | 1    |
| 56   | 70274-G01 |           | BRAKE/PARK BRAKE PEDAL PAD KIT (INCLUDES ITEMS 57 - 59).....              | 1    |
| 57   | *         |           | SERVICE BRAKE PAD .....   | 1    |
| 58   | *         |           | PARK BRAKE PAD.....   | 1    |

# BRAKES - FRONT DISC

THE USE OF NON U.L. PARTS WILL VOID ANY U.L. LISTING.

When ordering parts, please specify the model and serial number of the product.

\* Indicates a component that is not available as an individual part.

G\*\* Indicates consult Customer Service Department for additional information.

| ITEM | PART NO.  | 1 | 2 | 3 | 4 | 5 | DESCRIPTION                         | QTY. |
|------|-----------|---|---|---|---|---|-------------------------------------|------|
| 59   | 16409-G1  |   |   |   |   |   | OVAL RIVET, 3/16" X 15/32" LG ..... | 9    |
| 60   |           |   |   |   |   |   |                                     |      |
| 61   | 70258-G02 |   |   |   |   |   | BRAKE PEDAL PLATE .....             | 1    |
| 62   | 70682-G01 |   |   |   |   |   | PIVOT PIN .....                     | 1    |
| 63   | 70681-G01 |   |   |   |   |   | TORSION SPRING .....                | 2    |
| 64   | 01071-G01 |   |   |   |   |   | PUSHNUT, 5/16" .....                | 1    |
| 65   | 00737-G8  |   |   |   |   |   | SCREW, #10 - 24 X 1" LG .....       | 4    |
| 66   | 00739-G1  |   |   |   |   |   | RUBBER NUT, #10 - 24.....           | 2    |
| 67   | 22362-G3  |   |   |   |   |   | BRAKE PEDAL STANDOFF .....          | 2    |
| 68   | 27137-G01 |   |   |   |   |   | CONICAL SPRING .....                | 2    |
| 69   | 11098-G7  |   |   |   |   |   | LOCK NUT, #10 - 24.....             | 2    |
| 70   | 10606-G8  |   |   |   |   |   | MICRO SWITCH.....                   | 1    |
| 71   | 00957-G1  |   |   |   |   |   | SCREW, #6 - 32 X 1 1/4" LG .....    | 2    |
| 72   | 00559-G5  |   |   |   |   |   | WASHER, #10 .....                   | 2    |
| 73   | 00559-G3  |   |   |   |   |   | WASHER, #6 .....                    | 4    |
| 74   | 00565-G3  |   |   |   |   |   | LOCK WASHER, #6 .....               | 2    |
| 75   | 00525-G5  |   |   |   |   |   | NUT, #6 - 32.....                   | 2    |
| 76   | 13514-G1  |   |   |   |   |   | SCREW AND LOCK WASHER, #6.....      | 2    |
| 77   | 20835-G1  |   |   |   |   |   | WASHER, TEFLON, 3/8" .....          | 2    |
| 78   | 14628-G1  |   |   |   |   |   | FASTON TAB.....                     | 2    |
| 79   | 24605-G1  |   |   |   |   |   | WIRE HARNESS (BRAKE LIGHT) .....    | 1    |
| 80   | 17618-G1  |   |   |   |   |   | WIRE TIE .....                      | 3    |
| 81   |           |   |   |   |   |   |                                     |      |
| 82   | 74731-G02 |   |   |   |   |   | SPRING PLATE (PASSENGER SIDE) ..... | 1    |
| 83   | 74731-G01 |   |   |   |   |   | SPRING PLATE (DRIVER SIDE).....     | 1    |
| 84   | 74730-G01 |   |   |   |   |   | FOUR LINK ROD.....                  | 2    |
| 85   | 01084-G01 |   |   |   |   |   | LOCK NUT, M10-1.25 .....            | 4    |
| 86   | 74736-G01 |   |   |   |   |   | BRAKE LINE.....                     | 1    |
| 87   | 01038-G01 |   |   |   |   |   | SCREW, 1/4 - 20 X 4444" LG .....    | 1    |
| 88   | 74875-G01 |   |   |   |   |   | WIRE RETAINER.....                  | 2    |

## BRAKES - FRONT DISC

THE USE OF NON U.L. PARTS WILL VOID ANY U.L. LISTING.

When ordering parts, please specify the model and serial number of the product.

\* Indicates a component that is not available as an individual part.

G\*\* Indicates consult Customer Service Department for additional information.

| ITEM | PART NO.  | 1 | 2 | 3 | 4 | 5 | DESCRIPTION   | QTY. |
|------|-----------|---|---|---|---|---|---|------|
| 89   |           |   |   |   |   |   |   |      |
| 90   | 74677-G01 |   |   |   |   |   | SPINDLE, CALIPER AND DISC HUB ASSEMBLY (DRIVER SIDE)<br>(INCLUDES ITEMS 91 - 103).....              | 1    |
| 91   | 74672-G01 |   |   |   |   |   | DISC BRAKE SPINDLE (DRIVER SIDE) .....  | 1    |
| 92   | 74733-G02 |   |   |   |   |   | CALIPER (DRIVER SIDE) .....   | 1    |
| 93   | 12093-G1  |   |   |   |   |   | SLOTTED NUT .....   | 1    |
| 94   | 74864-G01 |   |   |   |   |   | DRIVE FLANGE STUD.....  | 4    |
| 95   | 11750-G2  |   |   |   |   |   | ROLLER BEARING .....  | 2    |
| 96   | 51141-G1  |   |   |   |   |   | BEARING RACE.....   | 2    |
| 97   | 74673-G01 |   |   |   |   |   | DISC BRAKE HUB.....   | 1    |
| 98   | 70648-G01 |   |   |   |   |   | FLANGED BEARING.....  | 1    |
| 99   | 00565-G8  |   |   |   |   |   | WASHER, 3/8" .....  | 2    |
| 100  | 00426-G8  |   |   |   |   |   | BOLT, 3/8 - 16 X 1.....   | 2    |
| 101  | 70749-G01 |   |   |   |   |   | BEARING.....  | 1    |
| 102  | 00798-G8  |   |   |   |   |   | COTTER PIN .....  | 1    |
| 103  | 25146-G1  |   |   |   |   |   | GREASE SEAL.....  | 1    |
| 104  |           |   |   |   |   |   |   |      |
| 105  | 74676-G01 |   |   |   |   |   | SPINDLE, CALIPER AND DISC HUB ASSEMBLY (PASSENGER SIDE)<br>(INCLUDES ITEMS 93 - 103, 106, 107)..... | 1    |
| 106  | 74671-G01 |   |   |   |   |   | DISC BRAKE SPINDLE (PASSENGER SIDE).....  | 1    |
| 107  | 74733-G01 |   |   |   |   |   | CALIPER (PASSENGER SIDE).....   | 1    |
| 108  | 74948-G01 |   |   |   |   |   | DISC BRAKE SERVICE HUB (INCLUDES ITEMS 94 - 97, 103).....   | 1    |
| 109  | 70745-G01 |   |   |   |   |   | KINGPIN TUBE .....  | 2    |
| 110  | 70754-G01 |   |   |   |   |   | THRUST WASHER .....   | 2    |
| 111  | 00560-G3  |   |   |   |   |   | WASHER, 1/2" .....  | 4    |
| 112  | 14390-G6  |   |   |   |   |   | LOCKNUT, 1/2 - 13 .....   | 2    |
| 113  | 00407-G6  |   |   |   |   |   | CAPSCREW, 1/2 - 13 X 6" LG .....  | 2    |
| 114  |           |   |   |   |   |   |   |      |
| 115  | 74702-G01 |   |   |   |   |   | FRONT DISC BRAKE BRAKE ACTUATOR ASSEMBLY<br>(INCLUDES ITEMS 116 - 133).....                         | 1    |
| 116  | 10387-G3  |   |   |   |   |   | COTTER PIN, 3/32 X 3/4" LG.....   | 1    |



# BRAKES - FRONT DISC

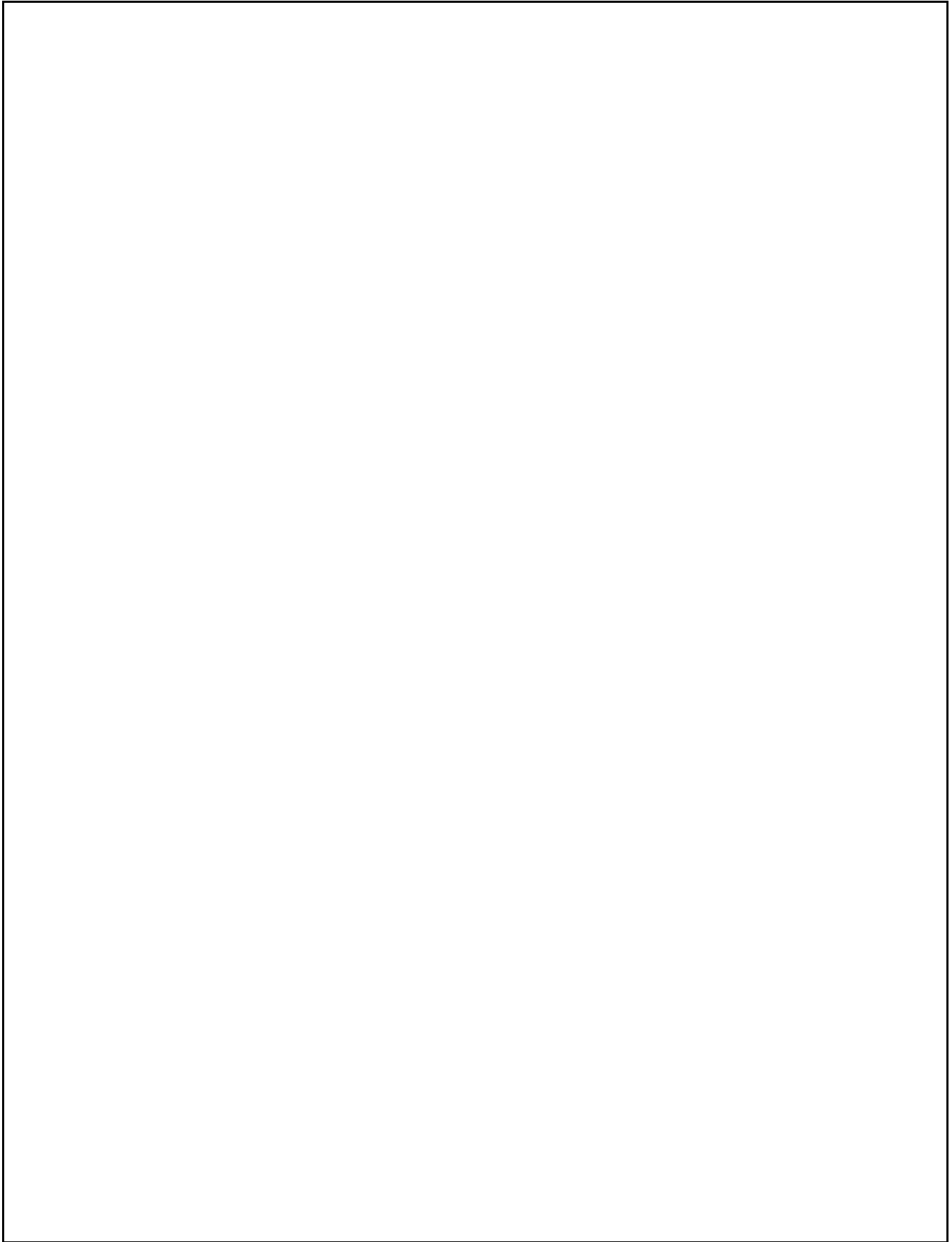
THE USE OF NON U.L. PARTS WILL VOID ANY U.L. LISTING.

When ordering parts, please specify the model and serial number of the product.

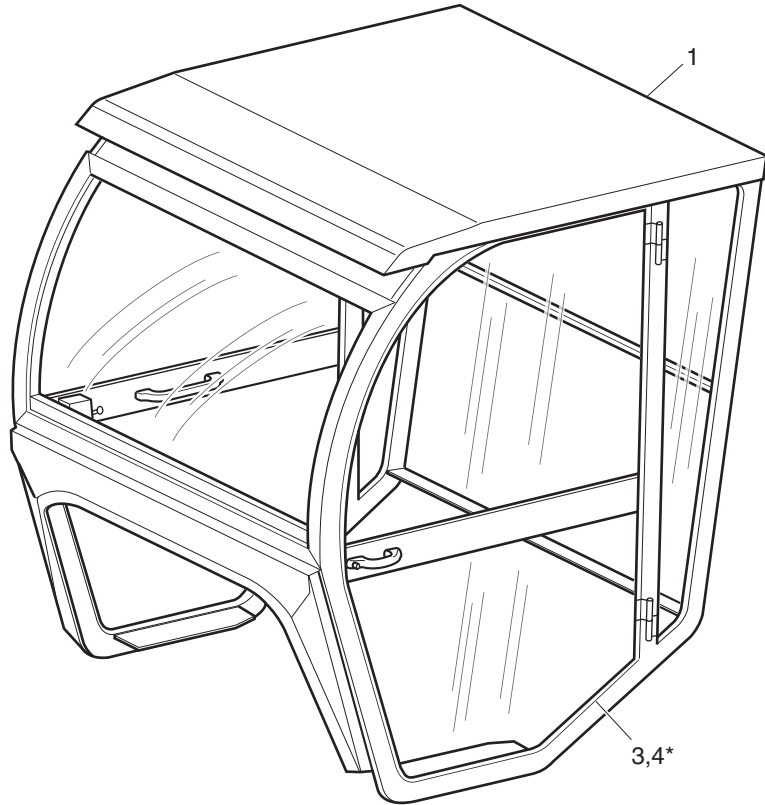
\* Indicates a component that is not available as an individual part.

G\*\* Indicates consult Customer Service Department for additional information.

| ITEM | PART NO.  | 1 | 2 | 3 | 4 | 5 | DESCRIPTION   | QTY. |
|------|-----------|---|---|---|---|---|---|------|
| 117  | 17838-G1  |   |   |   |   |   | NYLON BUSHING .....   | 1    |
| 118  | 10386-G3  |   |   |   |   |   | CLEVIS PIN, 5/16 X 1" LG.....   | 1    |
| 119  | 74753-G01 |   |   |   |   |   | UPPER ACTUATOR PIVOT .....  | 1    |
| 120  | 70581-G02 |   |   |   |   |   | ACETAL BUSHING .....  | 4    |
| 121  | 74711-G01 |   |   |   |   |   | SHOULDER BOLT .....   | 1    |
| 122  | 00560-G3  |   |   |   |   |   | WASHER, 1/2" .....  | 1    |
| 123  | 13437-G3  |   |   |   |   |   | BOLT, 1/2 - 13 X 6" LG.....   | 2    |
| 124  | 00679-G2  |   |   |   |   |   | WASHER, 5/16" STAINLESS .....   | 2    |
| 125  | 00654-G3  |   |   |   |   |   | LOCKNUT, 5/16 - 18.....   | 2    |
| 126  | 74742-G01 |   |   |   |   |   | MASTER CYLINDER.....  | 1    |
| 127  | 74703-G01 |   |   |   |   |   | BRAKE ACTUATOR ASSEMBLY HOUSING .....   | 1    |
| 128  | 11098-G5  |   |   |   |   |   | LOCKNUT, 3/8 - 16.....  | 1    |
| 129  | 00679-G1  |   |   |   |   |   | WASHER, 3/8" STAINLESS .....  | 1    |
| 130  | 74707-G01 |   |   |   |   |   | LOWER ACTUATOR PIVOT.....   | 1    |
| 131  | 10385-G4  |   |   |   |   |   | CLEVIS YOKE .....   | 1    |
| 132  | 74873-G01 |   |   |   |   |   | BRAKE ACTUATOR ASSEMBLY COVER .....   | 1    |
| 133  | 01038-G01 |   |   |   |   |   | SCREW, 1/4 -20 SWAGEFORM.....   | 4    |
| 134  |           |   |   |   |   |   |   |      |
| 135  | 00414-G8  |   |   |   |   |   | BOLT, 1/4 - 20 X 1 1/4" LG .....  | 4    |
| 136  | 00891-G2  |   |   |   |   |   | LOCKNUT, 1/4 - 20 .....   | 4    |
| 137  |           |   |   |   |   |   |   |      |
| 138  | 10387-G3  |   |   |   |   |   | COTTER PIN, 3/32 X 3/4 .....  | 2    |
| 139  | 20835-G1  |   |   |   |   |   | WASHER, NYLON .....   | 1    |
| 140  | 17838-G1  |   |   |   |   |   | NYLON BUSHING.....  | 2    |
| 141  | 74865-G01 |   |   |   |   |   | ACTUATOR LINKAGE .....  | 1    |
| 142  | 00771-G5  |   |   |   |   |   | WASHER, 3/8" .....  | 1    |
| 143  | 74917-G01 |   |   |   |   |   | DISC BRAKE PAD AND PIN KIT (SERVICES ONE CORNER)<br>(INCLUDES ITEMS 144 - 145)..... | 1    |
| 144  | *         |   |   |   |   |   | BRAKE PADS .....  | 2    |
| 145  | *         |   |   |   |   |   | BRAKE PAD RETAINER PINS .....   | 2    |



# CAB



CAB

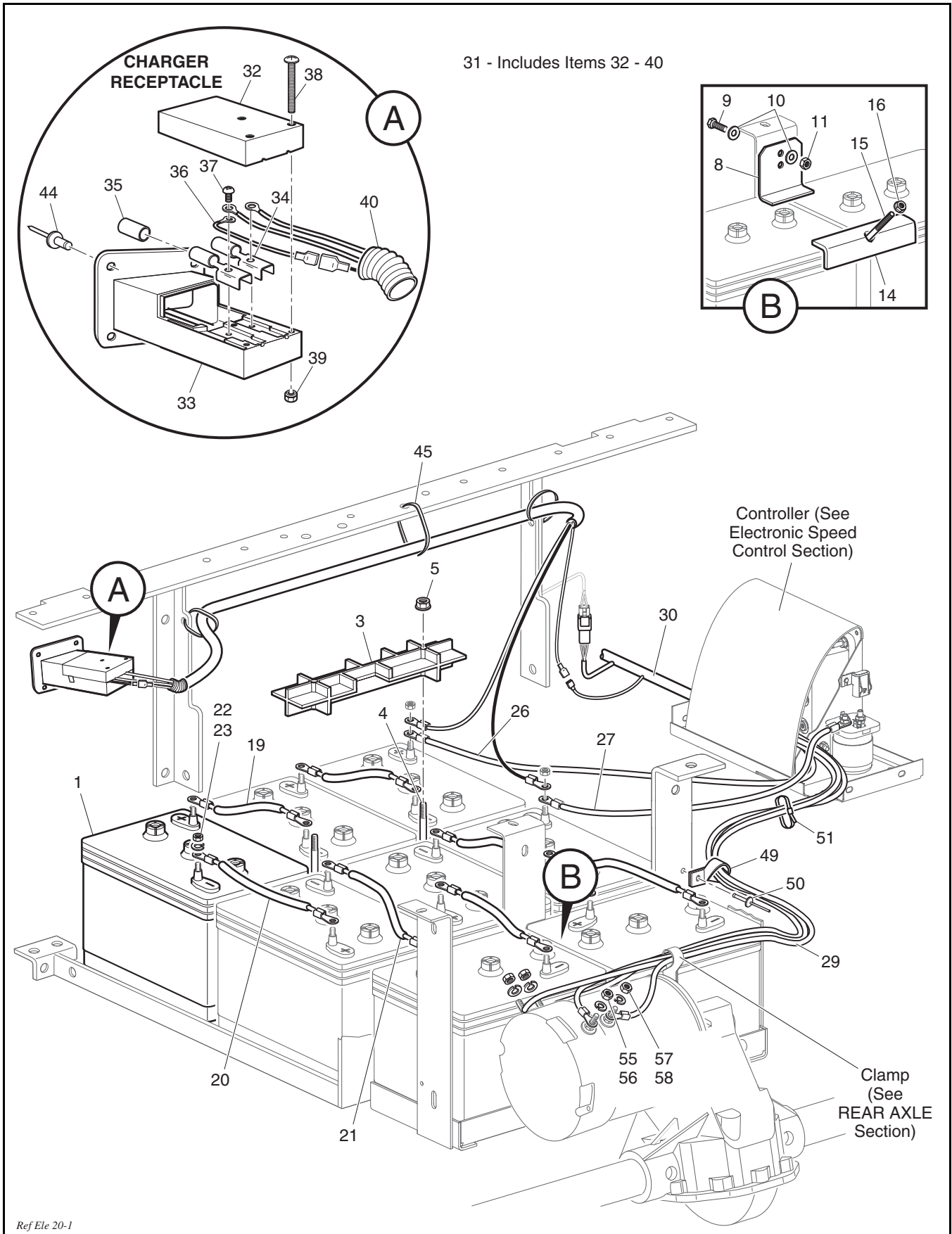
\*Steel Doors Shown

For Cab Accessories, See ACCESSORIES LISTING in Appendix B

THE USE OF NON U.L. PARTS WILL VOID ANY U.L. LISTING.  
 When ordering parts, please specify the model and serial number of the product.  
 \* Indicates a component that is not available as an individual part.  
 G\*\* Indicates consult Customer Service Department for additional information.

| ITEM   | PART NO.  | 1 2 3 4 5 | DESCRIPTION   | QTY. |
|--|-----------|-----------|---|------|
| 1  | 72684-G** |           | STEEL CAB (WITHOUT DOORS) REPACEMENT PARTS AND ACCESSORIES MAY BE OBTAINED FROM CURTIS CAB, INC. .... | 1    |
| 2  |           |           |   |      |
| 3  | 75855-G01 |           | VINYL DOOR KIT.....   | 1    |
| 4  | 75856-G** |           | STEEL DOOR KIT.....   | 1    |
| <p>For Cab replacement parts and accessories, contact Curtis Cab at:<br/>                     Curtis Cab, Inc. 111 Higgins Street, Worcester, Massachusetts, 01606.<br/>                     Tel.: 508-853-2200. Toll free: 800-343-7676.<br/>                     www.curtiscab.com</p> |           |           |   |      |

# ELECTRICAL



# ELECTRICAL

Where applicable, THE USE OF NON UL PARTS WILL VOID ANY UL LISTING.  
 When ordering parts, please specify the model and serial number of the product.  
 \* Indicates a component that is not available as an individual part.  
 G\*\* Indicates consult Customer Service Department for additional information.

| ITEM | PART NO.  | 1 2 3 4 5 | DESCRIPTION  | QTY. |
|------|-----------|-----------|--|------|
| 1    | XXXXX-GXX |           | 6 VOLT BATTERY .....                                   | 8    |
| 2    |           |           |  |      |
| 3    | 70045-G01 |           | BATTERY RETAINER .....                                 | 1    |
| 4    | 01101-G01 |           | HOLD DOWN BOLT (STAINLESS STEEL).....                  | 2    |
| 5    | 11027-G1  |           | LOCK NUT, 5/16 - 18 .....                              | 2    |
| 6    |           |           |  |      |
| 7    |           |           |  |      |
| 8    | 73218-G02 |           | BATTERY RETAINER ANGLE .....                           | 1    |
| 9    | 00438-G6  |           | BOLT, 5/16 - 18 X 3/4" LG .....                        | 1    |
| 10   | 00559-G8  |           | WASHER, 5/16" .....                                    | 2    |
| 11   | 11098-G6  |           | LOCK NUT, 5/16 - 18 .....                              | 1    |
| 12   |           |           |  |      |
| 13   |           |           |  |      |
| 14   | 11841-G1  |           | BATTERY RETAINER ANGLE INNER .....                     | 1    |
| 15   | 01087-G01 |           | HOLD DOWN BOLT (STAINLESS STEEL).....                  | 1    |
| 16   | 11027-G1  |           | LOCK NUT, 5/16 - 18 .....                              | 1    |
| 17   |           |           |  |      |
| 18   |           |           |  |      |
| 19   | 25971-G12 |           | 4 GA WIRE (BATTERY INTERCONNECT, BLACK, 6") .....      | 2    |
| 20   | 25971-G13 |           | 4 GA WIRE (BATTERY INTERCONNECT, BLACK, 10 1/2") ..... | 1    |
| 21   | 25971-G14 |           | 4 GA WIRE (BATTERY INTERCONNECT, BLACK, 15") .....     | 4    |
| 22   | 00565-G8  |           | LOCK WASHER, 5/16" .....                               | 16   |
| 23   | 00702-G2  |           | NUT, 5/16 - 18 .....                                   | 16   |
| 24   |           |           |  |      |
| 25   |           |           |  |      |
| 26   | 25971-G15 |           | 4 GA WIRE (BATTERY +, BLACK, 17") .....                | 1    |
| 27   | 25971-G16 |           | 4 GA WIRE (BATTERY -, BLACK, 19") .....                | 1    |
| 28   |           |           |  |      |
| 29   | 74659-G01 |           | POWER HARNESS .....                                    | 1    |
| 30   | 74649-G01 |           | CONTROL HARNESS .....                                  | 1    |

# ELECTRICAL

Where applicable, THE USE OF NON UL PARTS WILL VOID ANY UL LISTING.

When ordering parts, please specify the model and serial number of the product.

\* Indicates a component that is not available as an individual part.

G\*\* Indicates consult Customer Service Department for additional information.

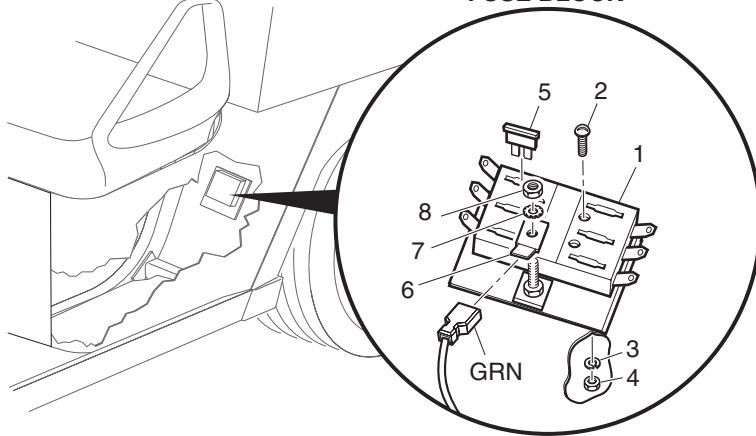
| ITEM | PART NO.  | 1 2 3 4 5 | DESCRIPTION  | QTY. |
|------|-----------|-----------|--|------|
| 31   | 73063-G03 |           | CHARGER RECEPTACLE ASSEMBLY (INCLUDES ITEMS 32 - 40) ..... | 1    |
| 32   | *         |           | RECEPTACLE COVER .....                                     | 1    |
| 33   | *         |           | RECEPTACLE BOTTOM .....                                    | 1    |
| 34   | 73051-G23 |           | FEMALE CONNECTOR .....                                     | 2    |
| 35   | 73051-G24 |           | INSULATOR SLEEVE .....                                     | 1    |
| 36   | 25978-G25 |           | 18 GA WIRE (RED 9") .....                                  | 1    |
| 37   | 73051-G08 |           | SCREW, #10 - 32 X 1/2" LG (BRASS) .....                    | 2    |
| 38   | 73051-G09 |           | SCREW, #6 - 32 X 1 3/4" LG (STAINLESS STEEL) .....         | 3    |
| 39   | 73051-G10 |           | LOCK NUT, #6 - 32 .....                                    | 3    |
| 40   | *         |           | WIRE HARNESS (CHARGER) .....                               | 1    |
| 41   |           |           |  |      |
| 42   |           |           |  |      |
| 43   |           |           |  |      |
| 44   | 71055-G01 |           | RIVET, 3/16" X 1" LG (ALUMINUM) .....                      | 4    |
| 45   | 17618-G1  |           | WIRE TIE .....   | 3    |
| 46   |           |           |  |      |
| 47   |           |           |  |      |
| 48   |           |           |  |      |
| 49   | 27327-G02 |           | CABLE CLAMP .....  | 1    |
| 50   | 10570-G11 |           | RIVET, 3/16" X 3/4" LG (STAINLESS STEEL) .....             | 1    |
| 51   | 17618-G1  |           | WIRE TIE .....   | 8    |
| 52   |           |           |  |      |
| 53   |           |           |  |      |
| 54   |           |           |  |      |
| 55   | 00993-G01 |           | LOCK WASHER, 5/16" (SILICON BRONZE) .....                  | 2    |
| 56   | 28418-G01 |           | NUT, 5/16 - 18 (BRASS) .....                               | 2    |
| 57   | 00993-G02 |           | LOCK WASHER, 1/4" (SILICON BRONZE) .....                   | 2    |
| 58   | 28418-G02 |           | NUT, 1/4 - 20 (BRASS) .....                                | 2    |



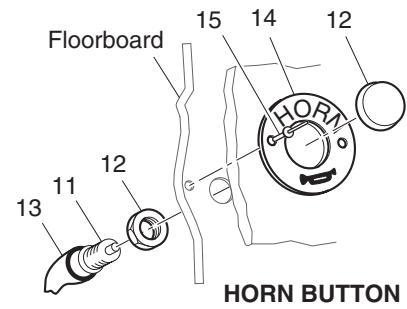
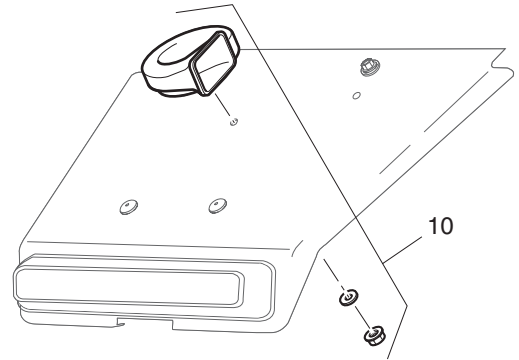


# ELECTRICAL

### FUSE BLOCK

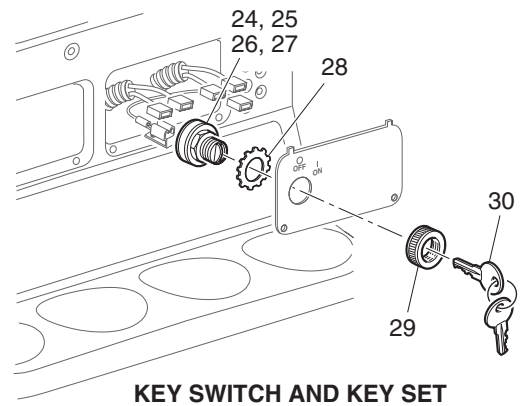
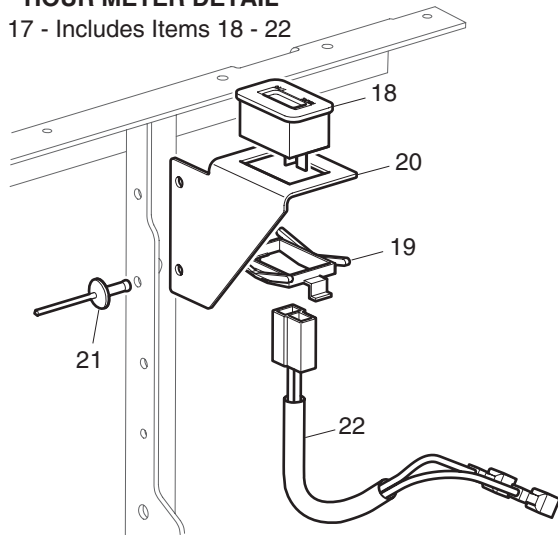


### HORN



### HOUR METER DETAIL

17 - Includes Items 18 - 22



Ref Ele 20-2

# ELECTRICAL

Where applicable, THE USE OF NON UL PARTS WILL VOID ANY UL LISTING.

When ordering parts, please specify the model and serial number of the product.

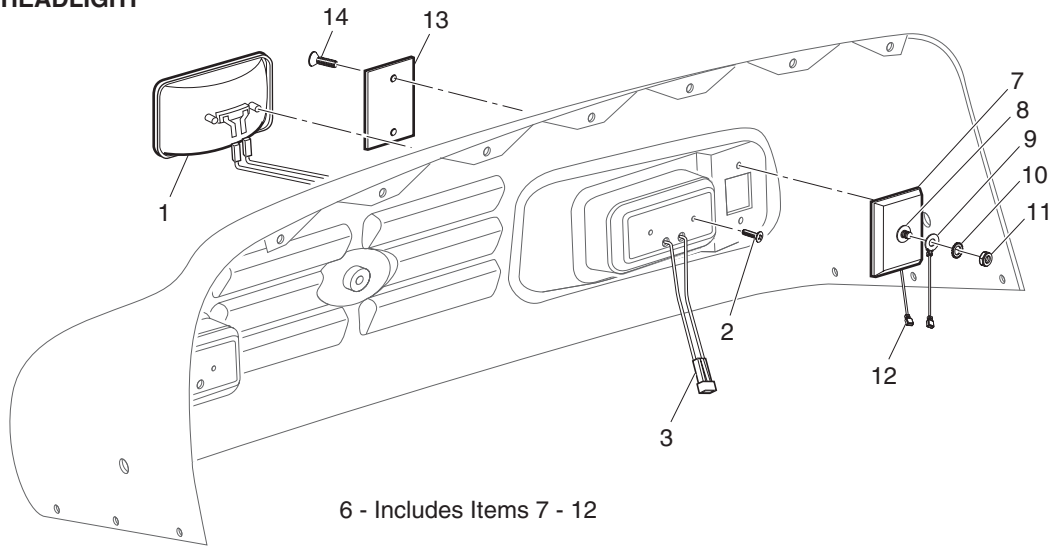
\* Indicates a component that is not available as an individual part.

G\*\* Indicates consult Customer Service Department for additional information.

| ITEM | PART NO.  | 1 2 3 4 5 | DESCRIPTION   | QTY. |
|------|-----------|-----------|---|------|
| 1    | 35211-G01 |           | FUSE BLOCK (6 POSITION) .....                               | 1    |
| 2    | 00379-G2  |           | SCREW, #10 - 24 X 1 1/4" LG.....                            | 2    |
| 3    | 00559-G5  |           | WASHER, #10.....  | 2    |
| 4    | 14390-G10 |           | LOCK NUT, #10 - 24 .....                                    | 2    |
| 5    | 35212-G01 |           | FUSE, 15 AMP .....  | AR   |
| 6    | 12914-G1  |           | PUSH ON MALE TERMINAL .....                                 | 1    |
| 7    | 00567-G5  |           | LOCK WASHER, #10 .....                                      | 1    |
| 8    | 00526-G4  |           | NUT, #10 - 32 .....   | 1    |
| 9    |           |           |   |      |
| 10   | 32860-G2  |           | HORN.....   | 1    |
| 11   | 17318-G1  |           | HORN SWITCH.....  | 1    |
| 12   | 17318-G2  |           | HORN SWITCH CAP AND NUT .....                               | 1    |
| 13   | 27068-G01 |           | HORN SWITCH BOOT .....                                      | 1    |
| 14   | 19233-G1  |           | HORN SWITCH LABEL .....                                     | 1    |
| 15   | 71055-G01 |           | RIVET, 3/16" X 1" LG (ALUMINUM).....                        | 2    |
| 16   |           |           |   |      |
| 17   | 74914-G02 |           | HOUR METER KIT (INCLUDES ITEMS 18 - 22).....                | 1    |
| 18   | 74665-G02 |           | HOUR METER.....   | 1    |
| 19   | 74696-G01 |           | HOUR METER RETAINER CLIP .....                              | 1    |
| 20   | 74716-G02 |           | HOUR METER BRACKET .....                                    | 1    |
| 21   | 10570-G11 |           | RIVET, 3/16" X 3/4" LG (STAINLESS STEEL).....               | 2    |
| 22   | 74908-G01 |           | WIRE HARNESS (HOUR METER).....                              | 1    |
| 23   |           |           |   |      |
| 24   | 17421-G1  |           | KEY SWITCH KIT (W/O LIGHTS - STANDARD - WITH HARDWARE)..... | 1    |
| 25   | 17955-G1  |           | KEY SWITCH (WITHOUT LIGHTS - NON STANDARD) .....            | 1    |
| 26   | 18027-G1  |           | KEY SWITCH (WITHOUT LIGHTS - INDIVIDUALLY KEYED) .....      | 1    |
| 27   | 33639-G** |           | KEY SWITCH (WITH LIGHTS) .....                              | 1    |
| 28   | 00568-G6  |           | LOCK WASHER, 3/4" .....                                     | 1    |
| 29   | 17137-G1  |           | FACE NUT, 3/4 - 20.....                                     | 1    |
| 30   | 17063-G1  |           | KEY (SET).....  | 1    |

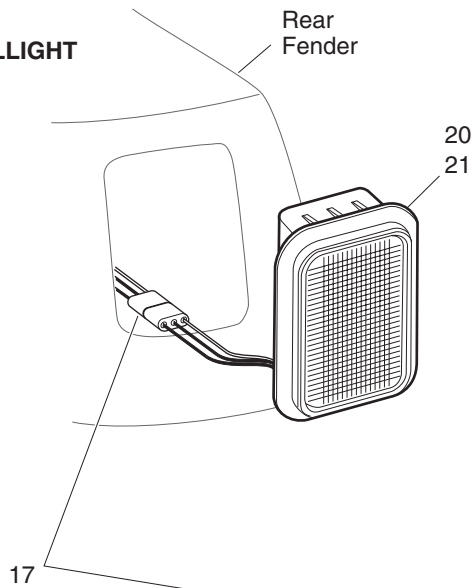
# ELECTRICAL

## HEADLIGHT

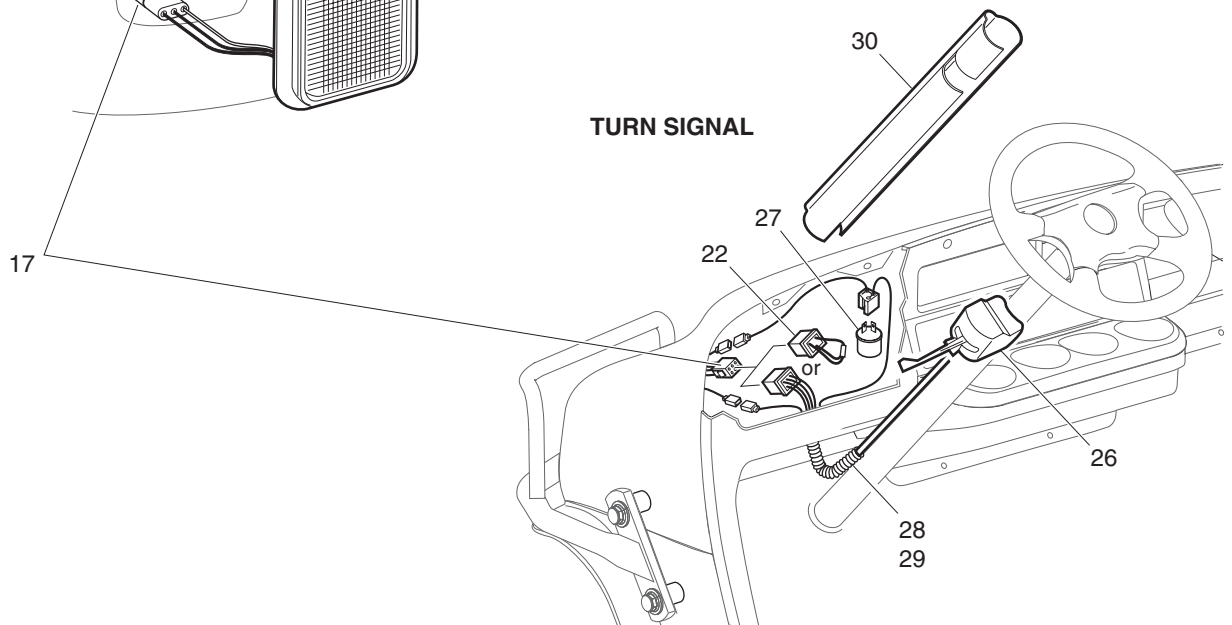


6 - Includes Items 7 - 12

## TAILLIGHT



## TURN SIGNAL



Ref Ele 20-3

# ELECTRICAL

Where applicable, THE USE OF NON UL PARTS WILL VOID ANY UL LISTING.

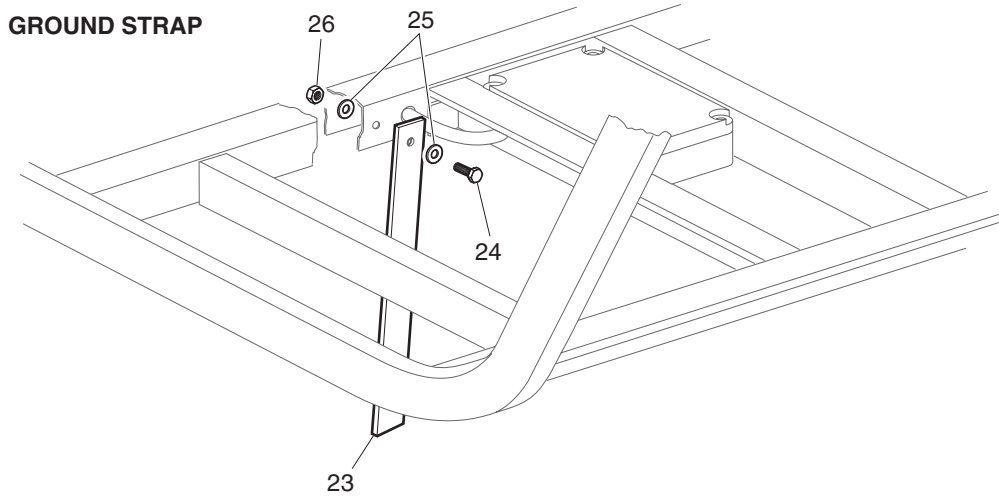
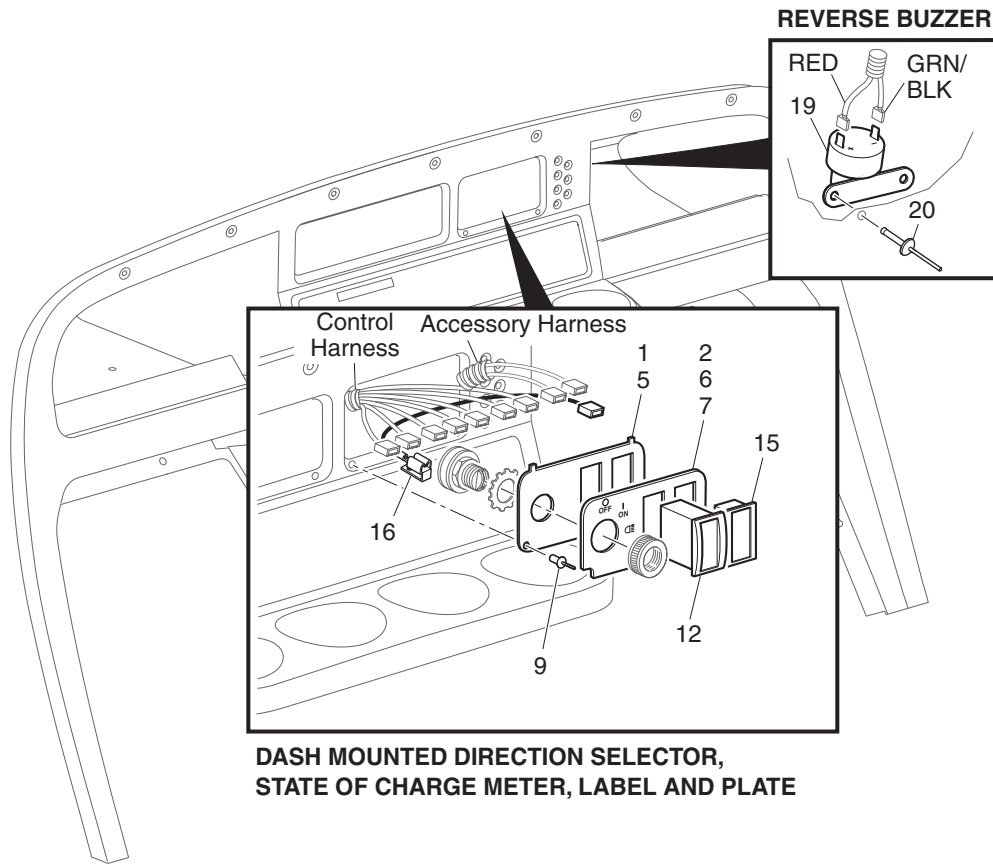
When ordering parts, please specify the model and serial number of the product.

\* Indicates a component that is not available as an individual part.

G\*\* Indicates consult Customer Service Department for additional information.

| ITEM | PART NO.  | 1 2 3 4 5 | DESCRIPTION  | QTY. |
|------|-----------|-----------|--|------|
| 1    | 22523-G1  |           | HEADLIGHT (RECTANGULAR) (INCLUDES ITEM 2) .....          | 2    |
| 2    | 00906-G6  |           | SCREW, #10 - 16 X 1" LG .....                            | 2    |
| 3    | 74337-G01 |           | JUMPER WIRE (HEADLIGHT) .....                            | 2    |
| 4    |           |           |  |      |
| 5    |           |           |  |      |
| 6    | 20570-G3  |           | TURN SIGNAL LIGHT (INCLUDES ITEMS 7 - 12) .....          | 2    |
| 7    | 20574-G3  |           | TURN SIGNAL LIGHT .....                                  | 1    |
| 8    | 00660-G7  |           | WASHER, 1/4" (STAINLESS STEEL).....                      | 1    |
| 9    | 20606-G1  |           | WIRE.....  | 1    |
| 10   | 00567-G7  |           | LOCK WASHER, 1/4" .....                                  | 1    |
| 11   | 00532-G1  |           | NUT, 1/4 - 20.....                                       | 1    |
| 12   | 18995-G1  |           | PUSH-ON MALE TERMINAL .....                              | 1    |
| 13   | 20574-G5  |           | LENS, AMBER .....  | 1    |
| 14   | 00118-G5  |           | SCREW, #6 - 18 X 5/8" LG.....                            | 2    |
| 15   |           |           |  |      |
| 16   |           |           |  |      |
| 17   | 74651-G01 |           | WIRE HARNESS (ACCESSORY).....                            | 1    |
| 18   |           |           |  |      |
| 19   |           |           |  |      |
| 20   | 32739-G3  |           | TAILLIGHT (WITH SEALED CONNECTORS) .....                 | 2    |
| 21   | 21759-G1  |           | TAILLIGHT BULB .....                                     | AR   |
| 22   | 75711-G01 |           | TAILLIGHT JUMPER PLUG (FOR VEHICLE W/OUT TURN SGL) ..... | 1    |
| 23   |           |           |  |      |
| 24   |           |           |  |      |
| 25   | 75107-G02 |           | TURN SIGNAL KIT (INCLUDES ITEMS 26 - 30).....            | 1    |
| 26   | 17867-G1  |           | TURN SIGNAL (WITH MOUNTING HARDWARE).....                | 1    |
| 27   | 21640-G1  |           | TURN SIGNAL FLASHER.....                                 | 1    |
| 28   | 32307-G3  |           | FLEX LOOM, 3/8" X 8" LG.....                             | 1    |
| 29   | 17618-G1  |           | WIRE TIE .....   | 2    |
| 30   | 20965-G3  |           | STEERING COLUMN COVER .....                              | 1    |

# ELECTRICAL



Ref Ele 20-4

# ELECTRICAL

Where applicable, THE USE OF NON UL PARTS WILL VOID ANY UL LISTING.

When ordering parts, please specify the model and serial number of the product.

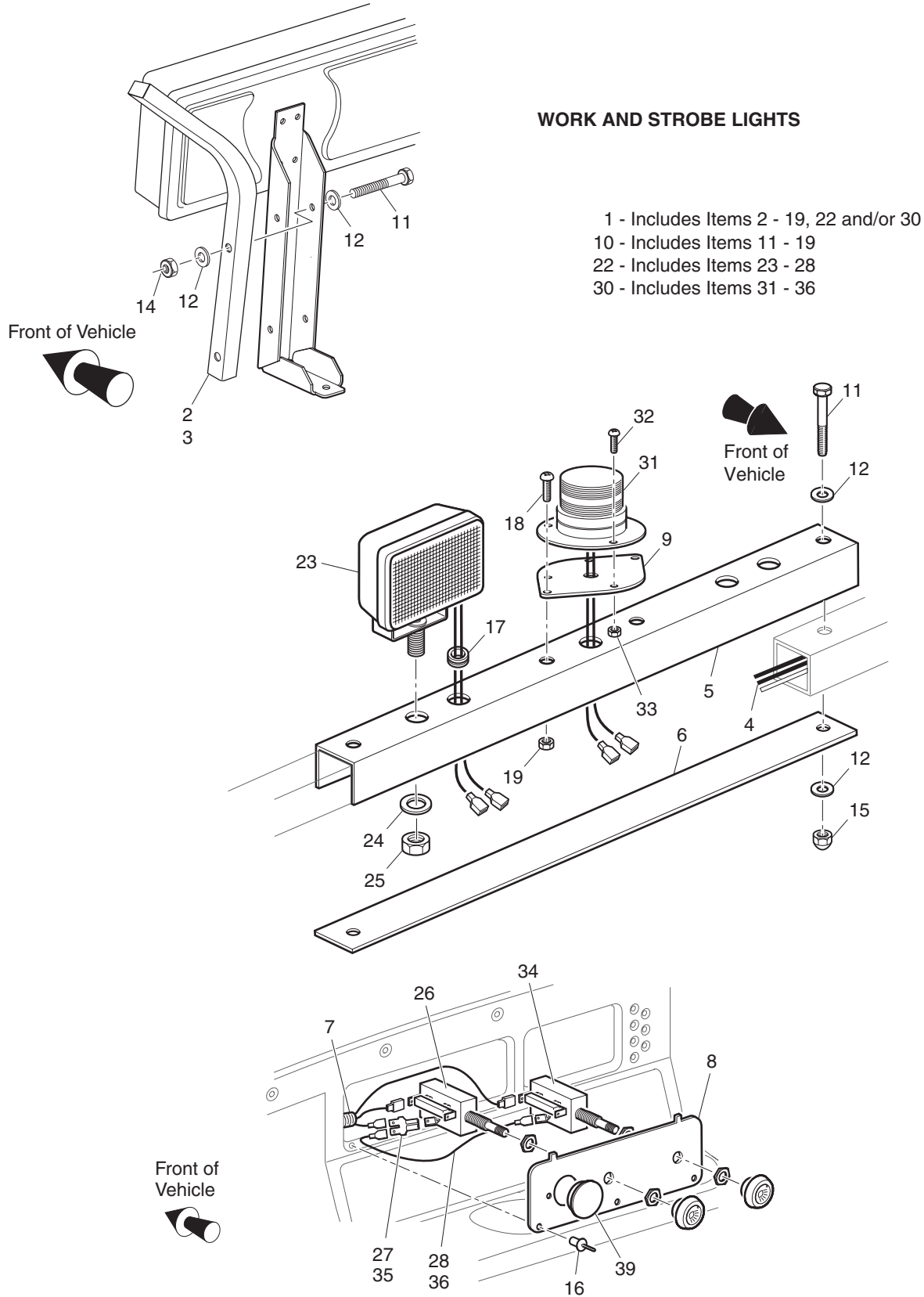
\* Indicates a component that is not available as an individual part.

G\*\* Indicates consult Customer Service Department for additional information.

| ITEM | PART NO.  | 1 2 3 4 5 | DESCRIPTION  | QTY. |
|------|-----------|-----------|--|------|
| 1    | 73030-G05 |           | PLATE (KEY SWITCH, DIRECTION SELECTOR) .....                                 | 1    |
| 2    | 74316-G01 |           | LABEL (KEY SWITCH WITHOUT LIGHTS, DIRECTION SELECTOR).....                   | 1    |
| 3    |           |           |  |      |
| 4    |           |           |  |      |
| 5    | 73030-G06 |           | PLATE (KEY SWITCH, DIRECTION SELECTOR, CHARGE METER) .....                   | 1    |
| 6    | 74320-G01 |           | LABEL (KEY SWITCH WITHOUT LIGHTS, DIRECTION SELECTOR,<br>CHARGE METER) ..... | 1    |
| 7    | 74322-G01 |           | LABEL (KEY SWITCH WITH LIGHTS, DIRECTION SELECTOR,<br>CHARGE METER) .....    | 1    |
| 8    |           |           |  |      |
| 9    | 33623-G02 |           | DRIVE RIVET, 3/16" X 3/8" LG .....   | 2    |
| 10   |           |           |  |      |
| 11   |           |           |  |      |
| 12   | 74323-G01 |           | DIRECTION SELECTOR SWITCH (DASH MOUNTED).....                                | 1    |
| 13   |           |           |  |      |
| 14   |           |           |  |      |
| 15   | 33636-G05 |           | STATE OF CHARGE METER (VERTICAL) .....                                       | 1    |
| 16   | 25978-G74 |           | 18 GA WIRE (RED 6").....   | 1    |
| 17   |           |           |  |      |
| 18   |           |           |  |      |
| 19   | 73290-G02 |           | REVERSE WARNING BUZZER (CONTINUOUS TONE) .....                               | 1    |
| 20   | 01041-G01 |           | RIVET, 1/8" X 13/16" LG .....  | 2    |
| 21   |           |           |  |      |
| 22   |           |           |  |      |
| 23   | 35213-G02 |           | GROUND STRAP, 16" (EE ONLY).....   | 1    |
| 24   | 00426-G8  |           | BOLT, 3/8 - 16 X 1" LG .....   | 1    |
| 25   | 00560-G1  |           | WASHER, 3/8" .....   | 2    |
| 26   | 11098-G4  |           | LOCK NUT, 3/8 - 16 .....   | 1    |

# ELECTRICAL

## WORK AND STROBE LIGHTS



Ref Ele 20-5

# ELECTRICAL

Where applicable, THE USE OF NON UL PARTS WILL VOID ANY UL LISTING.  
 When ordering parts, please specify the model and serial number of the product.  
 \* Indicates a component that is not available as an individual part.  
 G\*\* Indicates consult Customer Service Department for additional information.

| ITEM | PART NO.  | 1 | 2 | 3 | 4 | 5 | DESCRIPTION  | QTY. |
|------|-----------|---|---|---|---|---|--|------|
| 1    | 71323-G** |   |   |   |   |   | WORK LIGHT BAR WITH LIGHTS AND/OR STROBE<br>(INCLUDES ITEMS 2 - 19, 22 AND/OR 30)..... | 1    |
| 2    | 75838-G03 |   |   |   |   |   | STRUT (DRIVER SIDE).....   | 1    |
| 3    | 75838-G04 |   |   |   |   |   | STRUT (PASSENGER SIDE) .....   | 1    |
| 4    | 75346-G01 |   |   |   |   |   | WIRE HARNESS (WORK LIGHT) .....  | 1    |
| 5    | 71294-G02 |   |   |   |   |   | BRACE.....   | 1    |
| 6    | 71293-G02 |   |   |   |   |   | COVER PLATE .....  | 1    |
| 7    | 75430-G01 |   |   |   |   |   | SWITCH HARNESS .....   | 1    |
| 8    | 73522-G** |   |   |   |   |   | CONSOLE INSERT PLATE .....   | 1    |
| 9    | 33201-G03 |   |   |   |   |   | STROBE LIGHT MOUNT (USED ONLY WITH STROBE LIGHT).....                                  | 1    |
| 10   | 75365-G01 |   |   |   |   |   | HARDWARE KIT (INCLUDES ITEMS 11 - 19) .....  | 1    |
| 11   | 00685-G7  |   |   |   |   |   | BOLT, 5/16 - 18 X 1 3/4" LG .....  | 6    |
| 12   | 00660-G8  |   |   |   |   |   | WASHER, 5/16".....   | 12   |
| 13   | 15121-G1  |   |   |   |   |   | WASHER, 3/8" X 1 1/4" .....  | 2    |
| 14   | 01109-G01 |   |   |   |   |   | LOCK NUT, 5/16 - 18 .....  | 4    |
| 15   | 00918-G3  |   |   |   |   |   | ACORN NUT, 5/16 - 18 .....   | 2    |
| 16   | 33623-G02 |   |   |   |   |   | DRIVE RIVET, 3/16" X 3/8" LG.....  | 3    |
| 17   | 20367-G1  |   |   |   |   |   | GROMMET.....   | 2    |
| 18   | 16705-G3  |   |   |   |   |   | SCREW, 1/4 - 20 X 3/4" LG.....   | 2    |
| 19   | 14390-G4  |   |   |   |   |   | LOCK NUT, 1/4 - 20 .....   | 2    |
| 20   |           |   |   |   |   |   |  |      |
| 21   |           |   |   |   |   |   |  |      |
| 22   | 20383-G2  |   |   |   |   |   | WORK LIGHT KIT (INCLUDES ITEMS 23 - 28).....   | 1    |
| 23   | 20209-G2  |   |   |   |   |   | WORK LIGHT (RECTANGULAR) .....   | 2    |
| 24   | 00566-G3  |   |   |   |   |   | LOCK WASHER, 1/2" .....  | 2    |
| 25   | 00533-G1  |   |   |   |   |   | NUT, 1/2 - 13 .....  | 2    |
| 26   | 17317-G1  |   |   |   |   |   | LIGHT SWITCH.....  | 1    |
| 27   | 17902-G1  |   |   |   |   |   | TAB ADAPTER.....   | 1    |
| 28   | 20053-G1  |   |   |   |   |   | 16 GA WIRE (RED 5 3/8").....   | 1    |
| 29   |           |   |   |   |   |   |  |      |



# ELECTRICAL

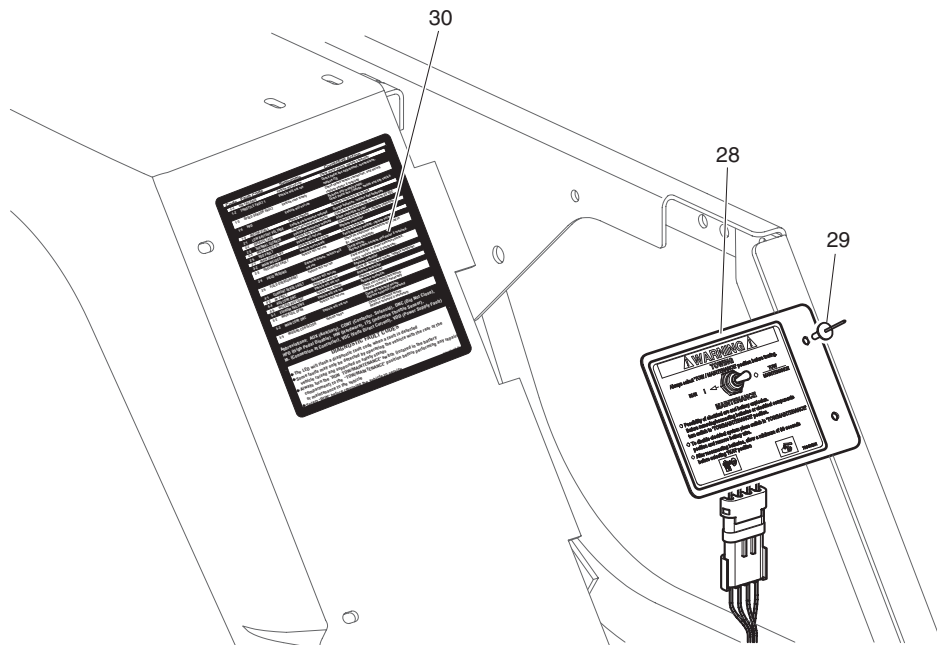
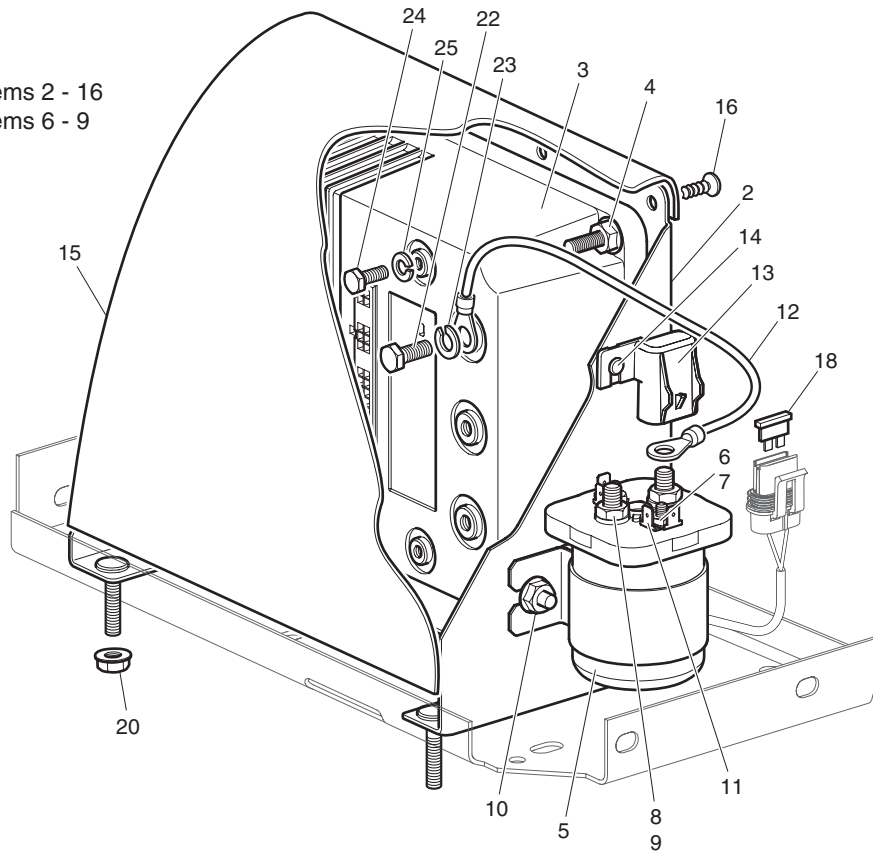
Where applicable, THE USE OF NON UL PARTS WILL VOID ANY UL LISTING.  
 When ordering parts, please specify the model and serial number of the product.  
 \* Indicates a component that is not available as an individual part.  
 G\*\* Indicates consult Customer Service Department for additional information.

| ITEM | PART NO.  | 1 | 2 | 3 | 4 | 5 | DESCRIPTION                                     | QTY. |
|------|-----------|---|---|---|---|---|---|------|
| 30   | 20385-G3  |   |   |   |   |   | STROBE LIGHT KIT (INCLUDES ITEMS 31 - 36) ..... | 1    |
| 31   | 20394-G4  |   |   |   |   |   | STROBE LIGHT .....                              | 1    |
| 32   | 00379-G4  |   |   |   |   |   | SCREW, #10 - 24 x 1/2" LG .....                 | 3    |
| 33   | 11098-G7  |   |   |   |   |   | LOCK NUT, #10 - 24 .....                        | 3    |
| 34   | 17317-G1  |   |   |   |   |   | LIGHT SWITCH.....                               | 1    |
| 35   | 17902-G1  |   |   |   |   |   | TAB ADAPTER .....                               | 1    |
| 36   | 20053-G1  |   |   |   |   |   | 16 GA WIRE (RED 5 3/8").....                    | 1    |
| 37   |           |   |   |   |   |   |   |      |
| 38   |           |   |   |   |   |   |   |      |
| 39   | 20271-G10 |   |   |   |   |   | HOLE PLUG .....                                 | 1    |



# ELECTRONIC SPEED CONTROL - PDS

1 - Includes Items 2 - 16  
 5 - Includes Items 6 - 9



Ref Esp 20-1

# ELECTRONIC SPEED CONTROL - PDS

Where applicable, THE USE OF NON UL PARTS WILL VOID ANY UL LISTING.

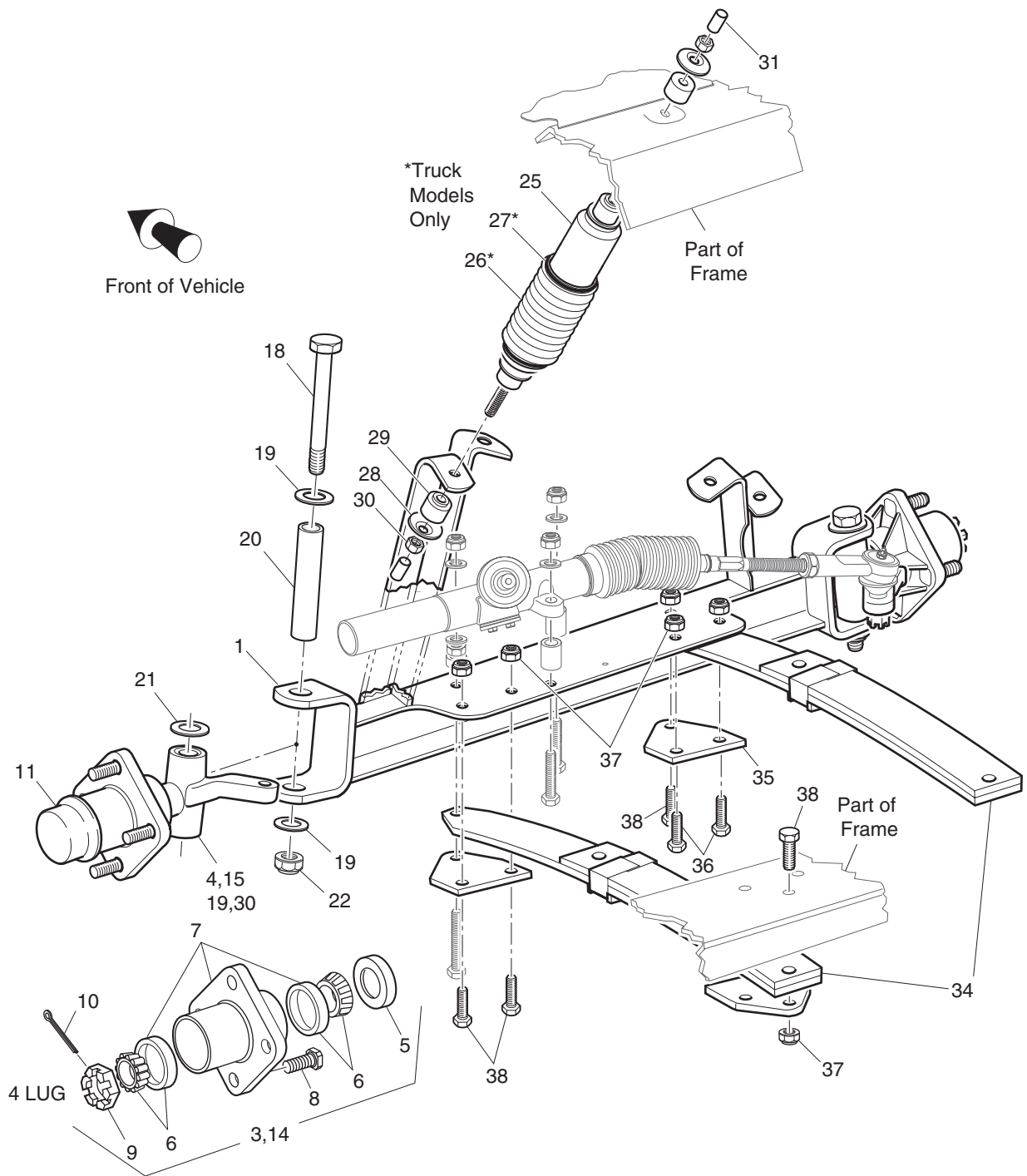
When ordering parts, please specify the model and serial number of the product.

\* Indicates a component that is not available as an individual part.

G\*\* Indicates consult Customer Service Department for additional information.

| ITEM | PART NO.  | 1 | 2 | 3 | 4 | 5 | DESCRIPTION  | QTY. |
|------|-----------|---|---|---|---|---|--|------|
| 1    | 73348-G03 |   |   |   |   |   | ELECTRONIC SPEED CONTROL ASSEMBLY (INCLUDES ITEMS 2 - 16)..... | 1    |
| 2    | 73351-G02 |   |   |   |   |   | CONTROLLER MOUNT .....   | 1    |
| 3    | 73098-G04 |   |   |   |   |   | ELECTRONIC SPEED CONTROLLER .....                              | 1    |
| 4    | 11027-G2  |   |   |   |   |   | LOCK NUT, 1/4 - 20 .....                                       | 4    |
| 5    | 73231-G01 |   |   |   |   |   | SOLENOID (INCLUDES ITEMS 6 - 9).....                           | 1    |
| 6    | *         |   |   |   |   |   | LOCK WASHER, #10 .....   | 2    |
| 7    | *         |   |   |   |   |   | NUT, #10 - 32 .....  | 2    |
| 8    | *         |   |   |   |   |   | LOCK WASHER, 5/16" .....                                       | 2    |
| 9    | *         |   |   |   |   |   | JAM NUT, 5/16 - 24 .....                                       | 2    |
| 10   | 11027-G2  |   |   |   |   |   | LOCK NUT, 1/4 - 20 .....                                       | 2    |
| 11   | 73446-G01 |   |   |   |   |   | FASTON TAB, 90° .....  | 4    |
| 12   | 25971-G17 |   |   |   |   |   | 4 GA WIRE (BLACK 9") .....                                     | 1    |
| 13   | 73499-G01 |   |   |   |   |   | IN-LINE FUSE COVER.....  | 1    |
| 14   | 15058-G1  |   |   |   |   |   | RIVET, 3/16" X 7/16" LG (ALUMINUM) .....                       | 1    |
| 15   | 73523-G01 |   |   |   |   |   | COVER .....  | 1    |
| 16   | 16816-G1  |   |   |   |   |   | RATCHET FASTENER, 1/4" X 9/16" LG .....                        | 4    |
| 17   |           |   |   |   |   |   |  |      |
| 18   | 35212-G05 |   |   |   |   |   | FUSE, 7.5 AMP .....  | 1    |
| 19   |           |   |   |   |   |   |  |      |
| 20   | 11027-G2  |   |   |   |   |   | LOCK NUT, 1/4 - 20 .....                                       | 4    |
| 21   |           |   |   |   |   |   |  |      |
| 22   | 73296-G01 |   |   |   |   |   | BOLT, 8MM X 16MM LG.....                                       | 3    |
| 23   | 00993-G01 |   |   |   |   |   | LOCK WASHER, 5/16" (SILICON BRONZE) .....                      | 3    |
| 24   | 73346-G01 |   |   |   |   |   | BOLT, 6MM X 1 X 12MM LG .....                                  | 2    |
| 25   | 00993-G02 |   |   |   |   |   | LOCK WASHER, 1/4" (SILICON BRONZE) .....                       | 2    |
| 26   |           |   |   |   |   |   |  |      |
| 27   |           |   |   |   |   |   |  |      |
| 28   | 74878-G01 |   |   |   |   |   | TOW-MAINTENANCE SWITCH.....                                    | 1    |
| 29   | 71055-G01 |   |   |   |   |   | RIVET, 3/16" X 1" LG (ALUMINUM) .....                          | 2    |
| 30   | 73398-G01 |   |   |   |   |   | DIAGNOSTIC LABEL (FAULT CODE) .....                            | 1    |

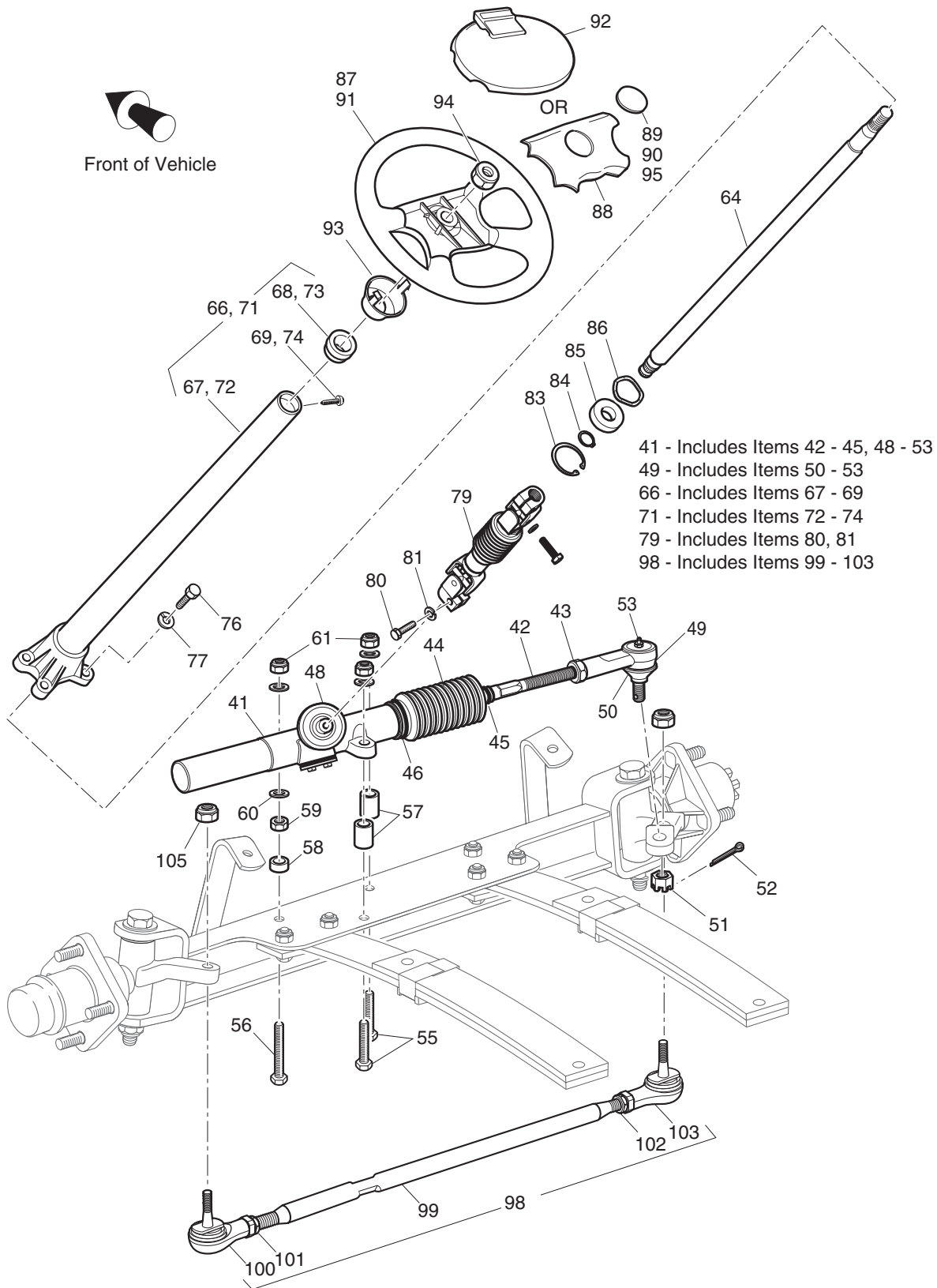
# FRONT SUSPENSION/STEERING



- 3 - Includes Items 4 - 10
- 7 - Includes Item 8
- 14 - Includes Items 5 - 10, 15

\*NOTE: Tie Rod Not Shown for Clarity

# FRONT SUSPENSION/STEERING



# FRONT SUSPENSION/STEERING

THE USE OF NON U.L. PARTS WILL VOID ANY U.L. LISTING.

When ordering parts, please specify the model and serial number of the product.

\* Indicates a component that is not available as an individual part.

G\*\* Indicates consult Customer Service Department for additional information.

| ITEM | PART NO.  | 1 2 3 4 5 | DESCRIPTION   | QTY. |
|------|-----------|-----------|---|------|
| 1    | 74600-G02 |           | FRONT AXLE .....  | 1    |
| 2    |           |           |   |      |
| 3    | 70942-G03 |           | SPINDLE AND HUB ASSEMBLY, 4 LUG (PASSENGER SIDE)<br>(INCLUDES ITEMS 4 - 10).....  | 1    |
| 4    | 70942-G02 |           | SPINDLE ASSEMBLY (PASSENGER SIDE).....  | 1    |
| 5    | 25146-G1  |           | GREASE SEAL.....  | 1    |
| 6    | 50892-G1  |           | ROLLER BEARING AND RACE ASSEMBLY.....   | 2    |
| 7    | 70895-G01 |           | WHEEL HUB ASSEMBLY WITH RACES, 4 LUG (INCLUDES ITEM 8) .....                      | 1    |
| 8    | 19862-G1  |           | LUG BOLT, 1/2 - 20 X 1 7/32" LG.....  | 4    |
| 9    | 12093-G1  |           | SLOTTED NUT, 1 - 14 .....   | 1    |
| 10   | 00798-G8  |           | COTTER PIN, 5/32" X 1 3/4" LG .....   | 1    |
| 11   | 12091-G2  |           | SPINDLE CAP.....  | 2    |
| 12   |           |           |   |      |
| 13   |           |           |   |      |
| 14   | 70673-G03 |           | SPINDLE AND HUB ASSEMBLY, 4 LUG (DRIVER SIDE)<br>(INCLUDES ITEMS 5 - 10, 15)..... | 1    |
| 15   | 70673-G02 |           | SPINDLE ASSEMBLY (DRIVER SIDE) .....  | 1    |
| 16   |           |           |   |      |
| 17   |           |           |   |      |
| 18   | 00407-G6  |           | BOLT, 1/2 - 13 X 6" LG .....  | 2    |
| 19   | 00560-G3  |           | WASHER, 1/2" .....  | 4    |
| 20   | 70745-G01 |           | KING PIN TUBE .....   | 2    |
| 21   | 70754-G01 |           | THRUST WASHER (STAINLESS STEEL).....  | 2    |
| 22   | 14390-G6  |           | LOCK NUT, 1/2 - 13 .....  | 2    |
| 23   |           |           |   |      |
| 24   |           |           |   |      |
| 25   | 70928-G01 |           | SHOCK ABSORBER.....   | 2    |
| 26   | 70509-G01 |           | SHOCK ABSORBER BOOT .....   | 2    |
| 27   | 31539-G1  |           | WIRE TIE .....  | 4    |
| 28   | 10435-G1  |           | SHOCK ABSORBER WASHER.....  | 8    |
| 29   | 10194-G1  |           | RUBBER SHOCK ABSORBER BUSHING .....   | 8    |

## FRONT SUSPENSION/STEERING

THE USE OF NON U.L. PARTS WILL VOID ANY U.L. LISTING.

When ordering parts, please specify the model and serial number of the product.

\* Indicates a component that is not available as an individual part.

G\*\* Indicates consult Customer Service Department for additional information.

| ITEM | PART NO.  | 1 | 2 | 3 | 4 | 5 | DESCRIPTION   | QTY. |
|------|-----------|---|---|---|---|---|---|------|
| 30   | 00532-G6  |   |   |   |   |   | NUT, 3/8 - 24 .....   | 4    |
| 31   | 10044-G01 |   |   |   |   |   | VINYL CAP .....   | 4    |
| 32   |           |   |   |   |   |   |   |      |
| 33   |           |   |   |   |   |   |   |      |
| 34   | 70664-G03 |   |   |   |   |   | LEAF SPRING (HEAVY DUTY) (SEE PART NUMBER ON SPRING) .....              | 2    |
| 35   | 70163-G03 |   |   |   |   |   | SPRING PLATE .....  | 4    |
| 36   | 00463-G4  |   |   |   |   |   | BOLT, 7/16 - 14 X 1 1/2" LG .....                                       | 2    |
| 37   | 00734-G1  |   |   |   |   |   | LOCK NUT, 7/16 - 14 .....   | 9    |
| 38   | 00463-G6  |   |   |   |   |   | BOLT, 7/16 - 14 X 1 3/4" LG .....                                       | 9    |
| 39   |           |   |   |   |   |   |   |      |
| 40   |           |   |   |   |   |   |   |      |
| 41   | 74605-G01 |   |   |   |   |   | RACK AND PINION UNIT (COMPLETE) (INCLUDES ITEMS 42 - 45, 48 - 53) ..... | 1    |
| 42   | 74602-G01 |   |   |   |   |   | RACK EXTENSION .....  | 1    |
| 43   | *         |   |   |   |   |   | JAM NUT, 1/2 - 20 .....   | 1    |
| 44   | 70675-G01 |   |   |   |   |   | RACK BOOT .....   | 1    |
| 45   | 17618-G1  |   |   |   |   |   | WIRE TIE .....  | 1    |
| 46   | 12416-G2  |   |   |   |   |   | WIRE TIE .....  | 1    |
| 47   |           |   |   |   |   |   |   |      |
| 48   | 70638-G01 |   |   |   |   |   | PINION SEAL .....   | 1    |
| 49   | 70695-G01 |   |   |   |   |   | RACK BALL JOINT (INCLUDES ITEMS 50 - 53) .....                          | 1    |
| 50   | 50641-G1  |   |   |   |   |   | RUBBER BOOT .....   | 1    |
| 51   | 50209-G2  |   |   |   |   |   | SLOTTED NUT, 7/16 - 20 .....  | 1    |
| 52   | 10387-G2  |   |   |   |   |   | COTTER PIN, 3/32" X 1" LG .....   | 1    |
| 53   | 10389-G3  |   |   |   |   |   | GREASE FITTING, STRAIGHT .....  | 1    |
| 54   |           |   |   |   |   |   |   |      |
| 55   | 00464-G6  |   |   |   |   |   | BOLT, 7/16 - 14 X 2 3/4" LG .....                                       | 2    |
| 56   | 01068-G01 |   |   |   |   |   | BOLT, 7/16 - 14 X 3 1/2" LG .....                                       | 1    |
| 57   | 70667-G03 |   |   |   |   |   | SPACER .....  | 2    |
| 58   | 70667-G03 |   |   |   |   |   | SPACER (SHORT) .....  | 1    |
| 59   | 00532-G7  |   |   |   |   |   | NUT, 7/16 - 14 .....  | 1    |



# FRONT SUSPENSION/STEERING

THE USE OF NON U.L. PARTS WILL VOID ANY U.L. LISTING.

When ordering parts, please specify the model and serial number of the product.

\* Indicates a component that is not available as an individual part.

G\*\* Indicates consult Customer Service Department for additional information.

| ITEM | PART NO.  | 1 2 3 4 5 | DESCRIPTION   | QTY. |
|------|-----------|-----------|---|------|
| 60   | 00560-G2  |           | FLAT WASHER, 7/16" .....                                  | 4    |
| 61   | 00734-G1  |           | LOCK NUT, 7/16 - 14 .....                                 | 3    |
| 62   |           |           |   |      |
| 63   |           |           |   |      |
| 64   | 70607-G01 |           | STEERING SHAFT .....                                      | 1    |
| 65   |           |           |   |      |
| 66   | 70758-G05 |           | STEERING COLUMN KIT (INCLUDES ITEMS 67 - 69) .....        | 1    |
| 67   | 70610-G01 |           | STEERING COLUMN .....                                     | 1    |
| 68   | 28569-G01 |           | STEERING COLUMN BUSHING .....                             | 1    |
| 69   | 01022-G01 |           | SCREW, #6 - 20 X 5/16" LG .....                           | 1    |
| 70   |           |           |   |      |
| 71   | 70758-G04 |           | STEERING COLUMN KIT (HORN) (INCLUDES ITEMS 72 - 74) ..... | 1    |
| 72   | 70610-G02 |           | STEERING COLUMN .....                                     | 1    |
| 73   | 28569-G01 |           | STEERING COLUMN BUSHING .....                             | 1    |
| 74   | 01022-G01 |           | SCREW, #6 - 20 X 5/16" LG .....                           | 1    |
| 75   |           |           |   |      |
| 76   | 01006-G01 |           | BOLT, 3/8 - 16 X 1 1/4" LG WITH PATCHLOCK .....           | 4    |
| 77   | 00879-G1  |           | LOCK WASHER, 3/8" .....                                   | 4    |
| 78   |           |           |   |      |
| 79   | 70580-G01 |           | INTERMEDIATE SHAFT (INCLUDES ITEMS 80, 81) .....          | 1    |
| 80   | 01055-G01 |           | BOLT, M8 X 1 1/4" LG .....                                | 2    |
| 81   | 00565-G8  |           | LOCK WASHER, 5/16" .....                                  | 2    |
| 82   |           |           |   |      |
| 83   | 70751-G01 |           | RETAINING RING (INTERNAL) .....                           | 1    |
| 84   | 70888-G01 |           | RETAINING RING (EXTERNAL) .....                           | 1    |
| 85   | 15112-G1  |           | BALL BEARING .....  | 1    |
| 86   | 70887-G01 |           | WAVE WASHER .....   | 1    |
| 87   | 71146-G01 |           | STEERING WHEEL .....                                      | 1    |
| 88   | 71147-G01 |           | STEERING WHEEL COVER .....                                | 1    |
| 89   | 74815-G01 |           | LABEL (E-Z-GO) .....                                      | 1    |

## FRONT SUSPENSION/STEERING

THE USE OF NON U.L. PARTS WILL VOID ANY U.L. LISTING.

When ordering parts, please specify the model and serial number of the product.

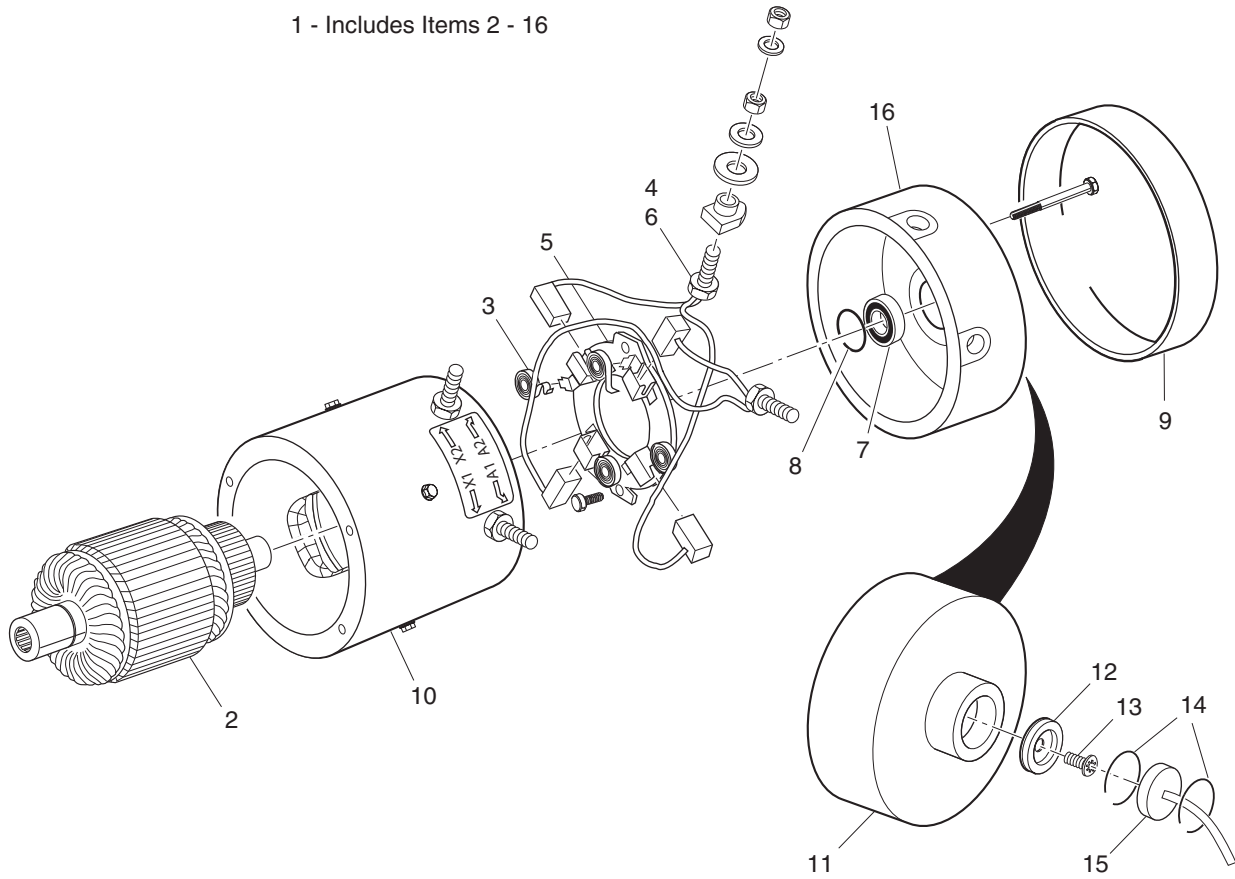
\* Indicates a component that is not available as an individual part.

G\*\* Indicates consult Customer Service Department for additional information.

| ITEM | PART NO.  | 1 | 2 | 3 | 4 | 5 | DESCRIPTION                                       | QTY. |
|------|-----------|---|---|---|---|---|---|------|
| 90   | 74954-G01 |   |   |   |   |   | LABEL (CUSHMAN).....                              | 1    |
| 91   | 71948-G01 |   |   |   |   |   | STEERING WHEEL .....                              | 1    |
| 92   | 71950-G01 |   |   |   |   |   | CLIPBOARD.....                                    | 1    |
| 93   | 71949-G01 |   |   |   |   |   | HUB COVER .....                                   | 1    |
| 94   | 14390-G2  |   |   |   |   |   | LOCK NUT, 5/8 - 18 .....                          | 1    |
| 95   | 28909-G01 |   |   |   |   |   | LABEL (JACOBSEN) .....                            | 1    |
| 96   |           |   |   |   |   |   |   |      |
| 97   |           |   |   |   |   |   |   |      |
| 98   | 74604-G01 |   |   |   |   |   | TIE ROD ASSEMBLY (INCLUDES ITEMS 127 - 131).....  | 1    |
| 99   | 70897-G02 |   |   |   |   |   | THREADED ROD (24" LG).....                        | 1    |
| 100  | 70902-G01 |   |   |   |   |   | TIE ROD END (LEFT HAND THREADS) .....             | 1    |
| 101  | 01069-G01 |   |   |   |   |   | JAM NUT, M12 X 1.25-05 (LEFT HAND THREADS).....   | 1    |
| 102  | 70902-G02 |   |   |   |   |   | TIE ROD END (RIGHT HAND THREADS).....             | 1    |
| 103  | 01069-G02 |   |   |   |   |   | JAM NUT, M12 X 1.25-05 (RIGHT HAND THREADS) ..... | 1    |
| 104  |           |   |   |   |   |   |   |      |
| 105  | 00734-G1  |   |   |   |   |   | LOCK NUT, 7/16 - 14 .....                         | 2    |

# MOTOR

1 - Includes Items 2 - 16



# MOTOR

THE USE OF NON U.L. PARTS WILL VOID ANY U.L. LISTING.

When ordering parts, please specify the model and serial number of the product.

\* Indicates a component that is not available as an individual part.

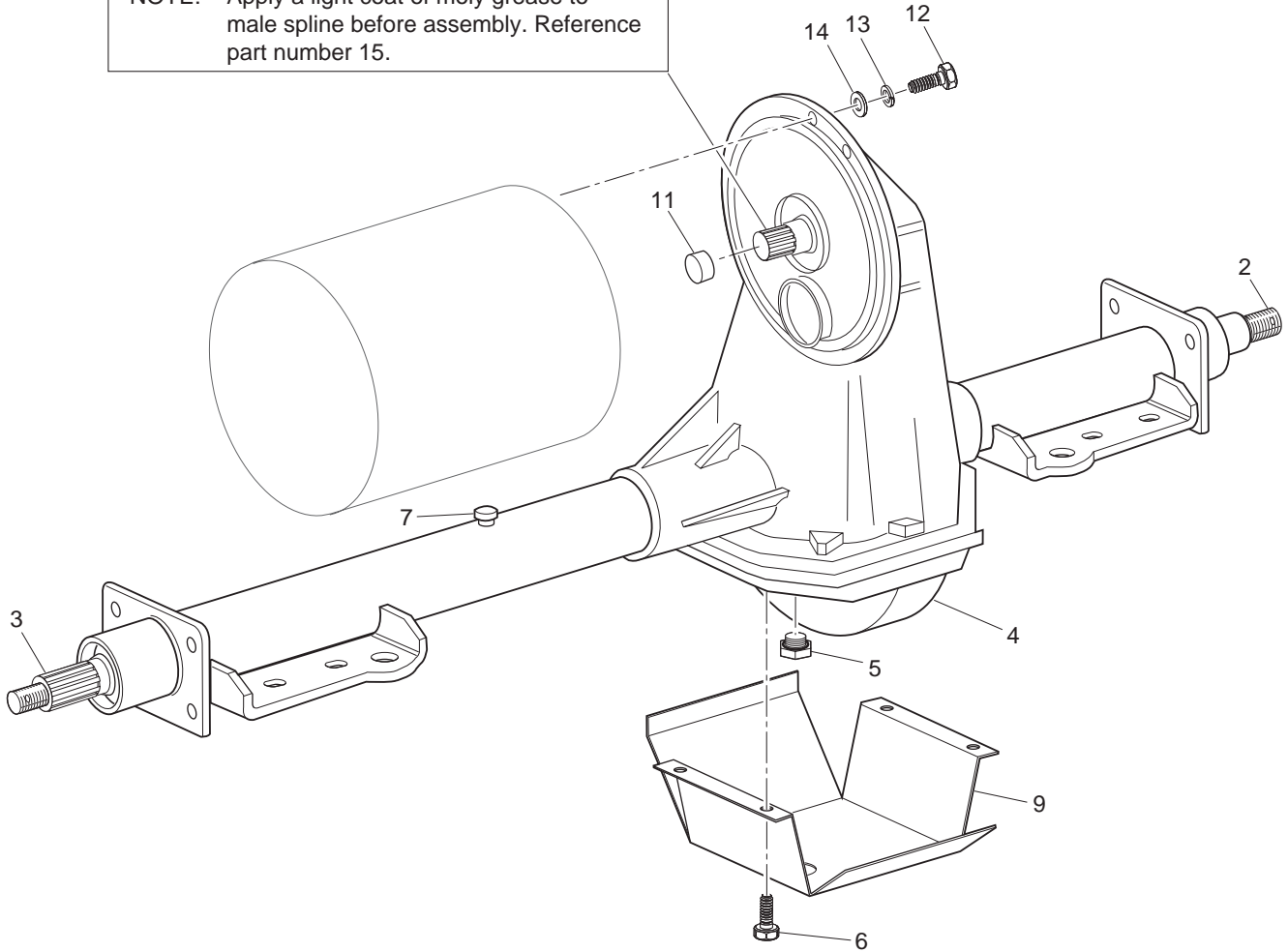
G\*\* Indicates consult Customer Service Department for additional information.

| ITEM | PART NO.  | 1 | 2 | 3 | 4 | 5 | DESCRIPTION  | QTY. |
|------|-----------|---|---|---|---|---|--|------|
| 1    | 73291-G04 |   |   |   |   |   | MOTOR (SEPARATELY EXCITED) (PDS) (INCLUDES ITEMS 15 - 28)..... | 1    |
| 2    | 73120-G36 |   |   |   |   |   | ARMATURE .....   | 1    |
| 3    | 73120-G38 |   |   |   |   |   | BRUSH SPRING.....  | 8    |
| 4    | 73120-G39 |   |   |   |   |   | BRUSH .....  | 8    |
| 5    | 73120-G40 |   |   |   |   |   | BRUSH BOX.....   | 1    |
| 6    | 73120-G41 |   |   |   |   |   | BRUSH REPLACEMENT KIT (INCLUDES HARDWARE) .....                | 1    |
| 7    | 73120-G07 |   |   |   |   |   | BEARING .....  | 1    |
| 8    | 73120-G06 |   |   |   |   |   | SNAP RING .....  | 1    |
| 9    | 73120-G43 |   |   |   |   |   | HEADBAND .....   | 1    |
| 10   | 73120-G37 |   |   |   |   |   | FRAME AND FIELD COIL (INCLUDES HARDWARE).....                  | 1    |
| 11   | 73120-G42 |   |   |   |   |   | COVER COMMUTATOR END .....                                     | 1    |
| 12   | 73328-G01 |   |   |   |   |   | MAGNET.....  | 1    |
| 13   | 01037-G02 |   |   |   |   |   | SCREW, #10 - 32 X 1/2" LG .....                                | 1    |
| 14   | 73277-G01 |   |   |   |   |   | RETAINING RING.....  | 2    |
| 15   | 73327-G01 |   |   |   |   |   | SPEED SENSOR.....  | 1    |

# REAR AXLE

1 - Includes Items 2 - 7

NOTE: Apply a light coat of moly grease to male spline before assembly. Reference part number 15.



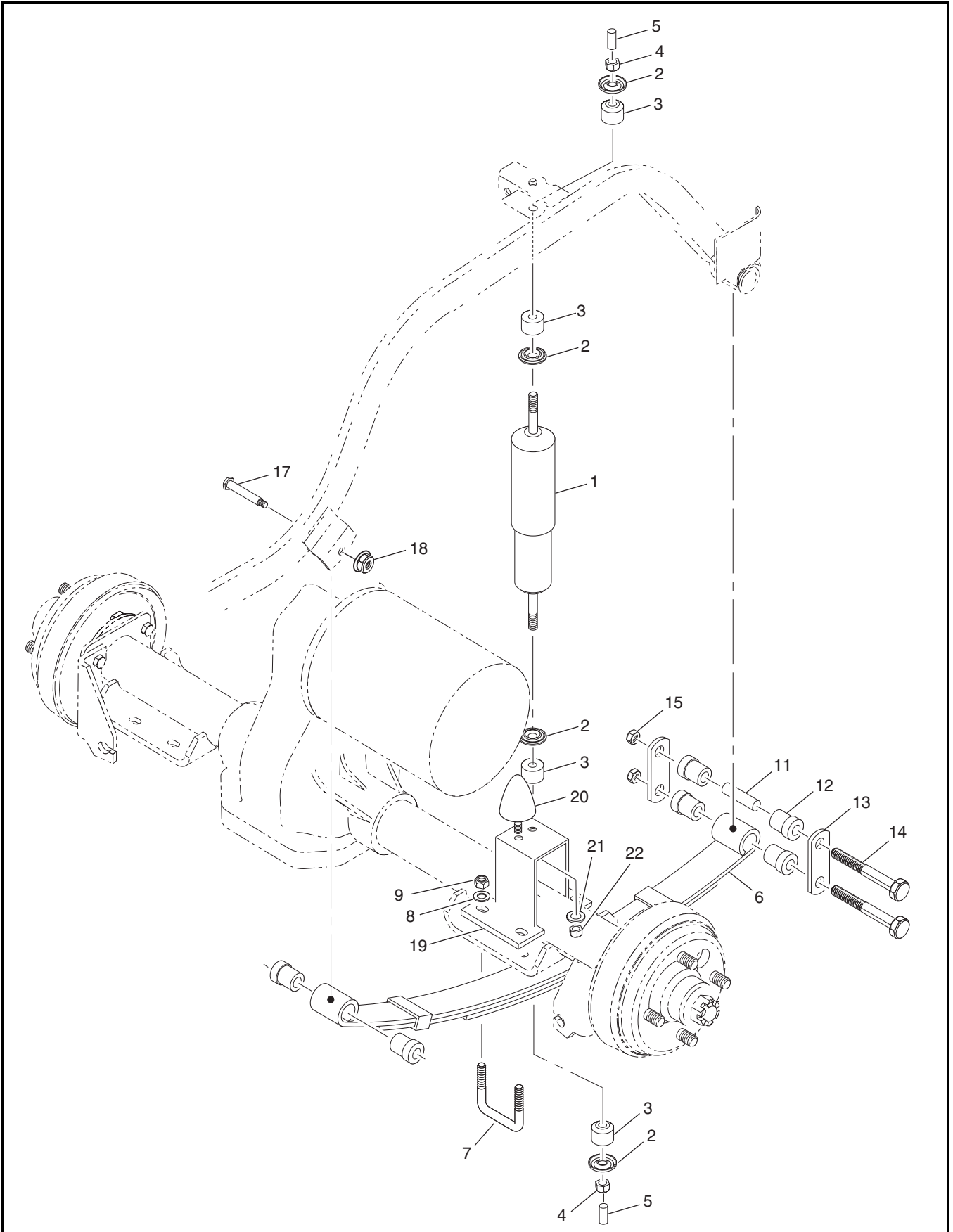
Ref Rav 1

# REAR AXLE

Where applicable, THE USE OF NON UL PARTS WILL VOID ANY UL LISTING.  
 When ordering parts, please specify the model and serial number of the product.  
 \* Indicates a component that is not available as an individual part.  
 G\*\* Indicates consult Customer Service Department for additional information.

| ITEM | PART NO.  | 1 | 2 | 3 | 4 | 5 | DESCRIPTION   | QTY. |
|------|-----------|---|---|---|---|---|---|------|
| 1    | 74612-G01 |   |   |   |   |   | REAR AXLE ASSEMBLY 14.76:1 (INCLUDES ITEMS 2 - 7) ..... | 1    |
| 2    | 20377-G12 |   |   |   |   |   | AXLE SHAFT (PASSENGER SIDE) .....                       | 1    |
| 3    | 20377-G11 |   |   |   |   |   | AXLE SHAFT (DRIVER SIDE).....                           | 1    |
| 4    | *         |   |   |   |   |   | DIFFERENTIAL COVER.....                                 | 1    |
| 5    | 28610-G01 |   |   |   |   |   | FILL PLUG WITH 'O' RING.....                            | 1    |
| 6    | 15558-G1  |   |   |   |   |   | BOLT, 5/16 - 18 X 3/4" LG.....                          | 10   |
| 7    | 73050-G01 |   |   |   |   |   | VENT .....  | 1    |
| 8    |           |   |   |   |   |   |   |      |
| 9    | 72763-G02 |   |   |   |   |   | SCUFF GUARD .....                                       | 1    |
| 10   |           |   |   |   |   |   |   |      |
| 11   | 24261-G1  |   |   |   |   |   | SPLINE BUMPER .....                                     | 1    |
| 12   | 00797-G2  |   |   |   |   |   | BOLT, 1/4 - 20 X 1 1/4" LG .....                        | 3    |
| 13   | 00664-G7  |   |   |   |   |   | LOCK WASHER, 1/4" (STAINLESS STEEL) .....               | 3    |
| 14   | 01110-G01 |   |   |   |   |   | WASHER, 1/4" (STAINLESS STEEL) .....                    | 3    |
| 15   | 28095-G01 |   |   |   |   |   | MOLY LUBE, 2 OZ. ....                                   | AR   |

# REAR SUSPENSION



# REAR SUSPENSION

THE USE OF NON U.L. PARTS WILL VOID ANY U.L. LISTING.

When ordering parts, please specify the model and serial number of the product.

\* Indicates a component that is not available as an individual part.

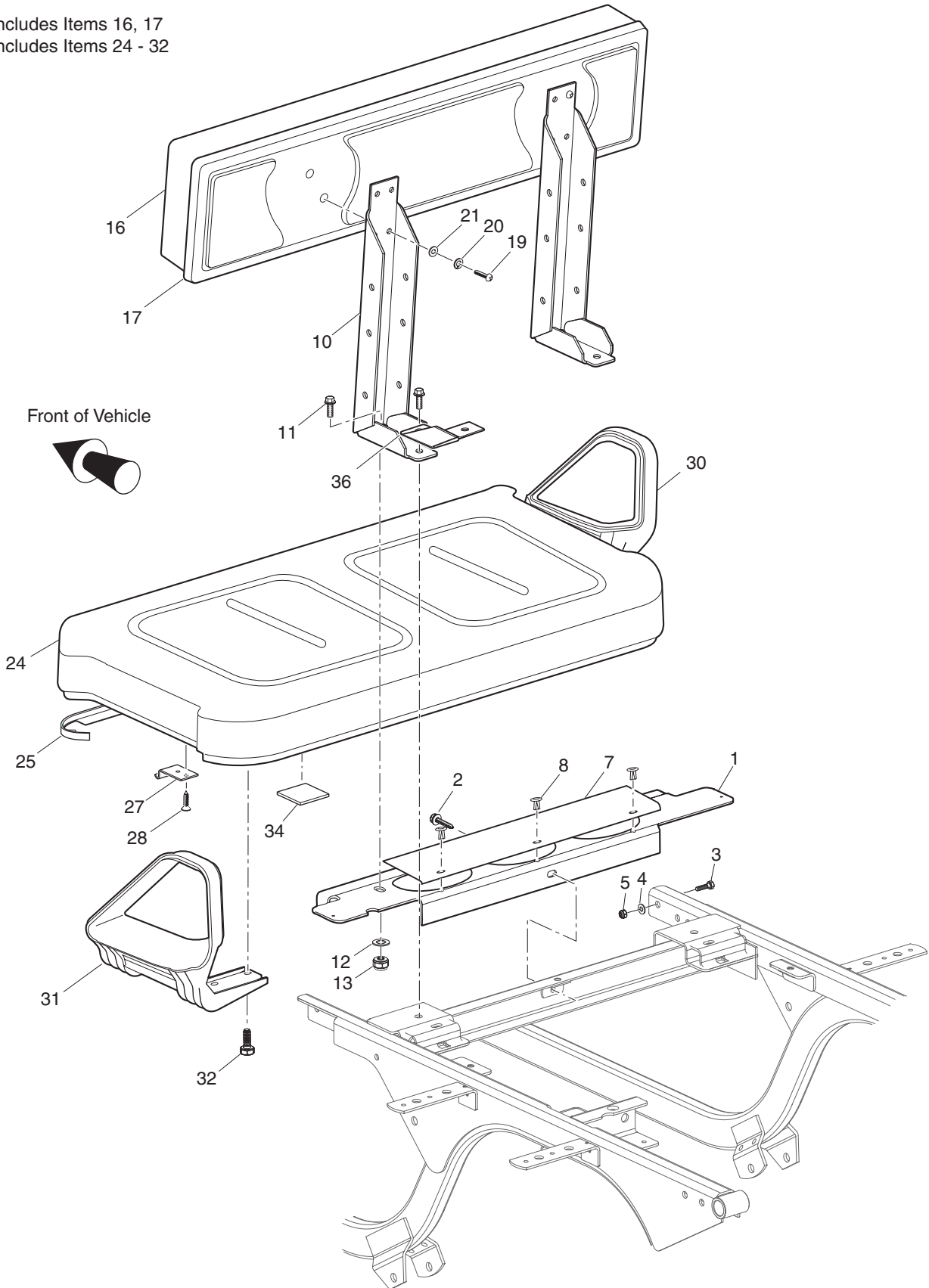
G\*\* Indicates consult Customer Service Department for additional information.

| ITEM | PART NO.  | 1 2 3 4 5 | DESCRIPTION                                       | QTY. |
|------|-----------|-----------|---|------|
| 1    | 70248-G01 |           | SHOCK ABSORBER.....                               | 2    |
| 2    | 10435-G1  |           | SHOCK ABSORBER WASHER .....                       | 8    |
| 3    | 10194-G1  |           | RUBBER SHOCK ABSORBER BUSHING .....               | 8    |
| 4    | 00532-G6  |           | NUT, 3/8 - 24 .....                               | 4    |
| 5    | 10044-G01 |           | VINYL CAP.....                                    | 4    |
| 6    | 74345-G03 |           | LEAF SPRING.....                                  | 2    |
| 7    | 72618-G01 |           | "U" BOLT, 3/8 - 16 .....                          | 4    |
| 8    | 00560-G1  |           | WASHER, 3/8" .....                                | 8    |
| 9    | 11098-G5  |           | LOCK NUT, 3/8 - 16 .....                          | 8    |
| 10   |           |           |   |      |
| 11   | 70289-G02 |           | SPACER.....                                       | 4    |
| 12   | 70291-G01 |           | RUBBER BUSHING .....                              | 12   |
| 13   | 70290-G02 |           | SHACKLE PLATE .....                               | 4    |
| 14   | 00665-G9  |           | BOLT, 3/8 - 16 X 3 1/2" LG (STAINLESS STEEL)..... | 4    |
| 15   | 11098-G5  |           | LOCK NUT, 3/8 - 16 .....                          | 4    |
| 16   |           |           |   |      |
| 17   | 14158-G1  |           | SHOULDER BOLT, 3/8 - 16 X 3 1/4" LG. ....         | 2    |
| 18   | 12262-G1  |           | LOCK NUT, 3/8 - 16 .....                          | 2    |
| 19   | 71498-G01 |           | AXLE BUMPER BRACKET .....                         | 2    |
| 20   | 70492-G01 |           | RUBER BUMPER .....                                | 2    |
| 21   | 00968-G01 |           | LOCK WASHER, M10 .....                            | 2    |
| 22   | 00974-G01 |           | NUT, M10 .....                                    | 2    |



# SEATING

15 - Includes Items 16, 17  
23 - Includes Items 24 - 32



# SEATING

THE USE OF NON U.L. PARTS WILL VOID ANY U.L. LISTING.

When ordering parts, please specify the model and serial number of the product.

\* Indicates a component that is not available as an individual part.

G\*\* Indicates consult Customer Service Department for additional information.

| ITEM | PART NO.  | 1 2 3 4 5 | DESCRIPTION   | QTY. |
|------|-----------|-----------|---|------|
| 1    | 74675-G01 |           | SEAT BACK SUPPORT .....                             | 1    |
| 2    | 00715-G2  |           | BOLT, 5/16 - 18 X 13/16" LG .....                   | 1    |
| 3    | 00438-G8  |           | BOLT, 5/16 - 18 X 3/4" LG .....                     | 2    |
| 4    | 00642-G8  |           | WASHER, 5/16" .....                                 | 2    |
| 5    | 11098-G6  |           | LOCK NUT, 5/16 - 18 .....                           | 2    |
| 6    |           |           |   |      |
| 7    | 71263-G01 |           | ACCESS COVER.....                                   | 1    |
| 8    | 18436-G1  |           | DRIVE RIVET .....                                   | 3    |
| 9    |           |           |   |      |
| 10   | 75900-G02 |           | SEAT BACK SUPPORT BRACKET .....                     | 2    |
| 11   | 01006-G1  |           | BOLT, 3/8 - 16 X 1 1/4" LG .....                    | 4    |
| 12   | 00560-G1  |           | WASHER, 3/8" .....                                  | 2    |
| 13   | 11098-G5  |           | LOCK NUT, 3/8 - 16 .....                            | 2    |
| 14   |           |           |   |      |
| 15   | 71274-G** |           | SEAT BACK ASSEMBLY (INCLUDES ITEMS 16, 17).....     | 1    |
| 16   | 18144-G** |           | VINYL SEAT BACK COVER .....                         | 1    |
| 17   | 18868-G4  |           | PLASTIC SEAT BACK COVER (BLACK) .....               | 1    |
| 18   |           |           |   |      |
| 19   | 16705-G1  |           | SCREW, 1/4 - 20 X 1" LG.....                        | 4    |
| 20   | 00664-G7  |           | LOCK WASHER, 1/4" .....                             | 4    |
| 21   | 01110-G7  |           | WASHER, 1/4" .....                                  | 4    |
| 22   |           |           |   |      |
| 23   | 71611-G** |           | SEAT BOTTOM ASSEMBLY (INCLUDES ITEMS 24 - 32) ..... | 1    |
| 24   | 71602-G** |           | VINYL SEAT BOTTOM COVER .....                       | 1    |
| 25   | 71012-G01 |           | VINYL TRIM (SEAT BOTTOM).....                       | 1    |
| 26   |           |           |   |      |
| 27   | 71610-G01 |           | SEAT HINGE .....                                    | 2    |
| 28   | 00720-G08 |           | SCREW, #12 - 14 X 1" LG. ....                       | 6    |
| 29   |           |           |   |      |
| 30   | 71701-G01 |           | HIP RESTRAINT (PASSENGER SIDE).....                 | 1    |

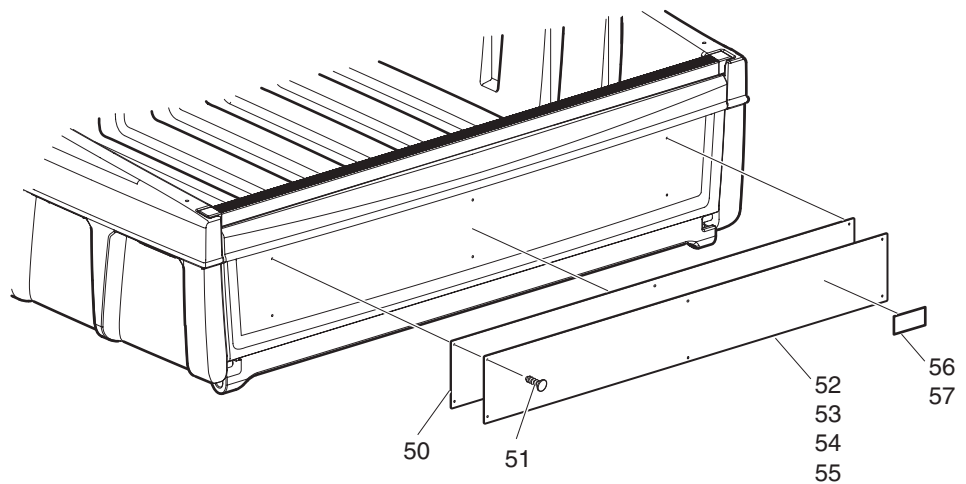
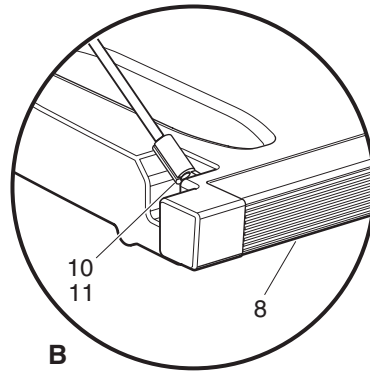
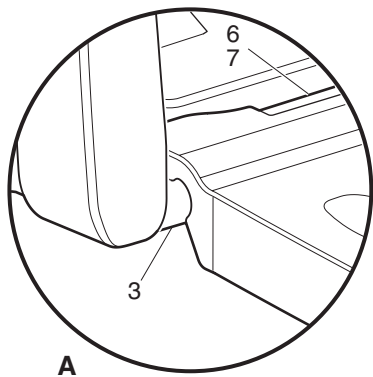
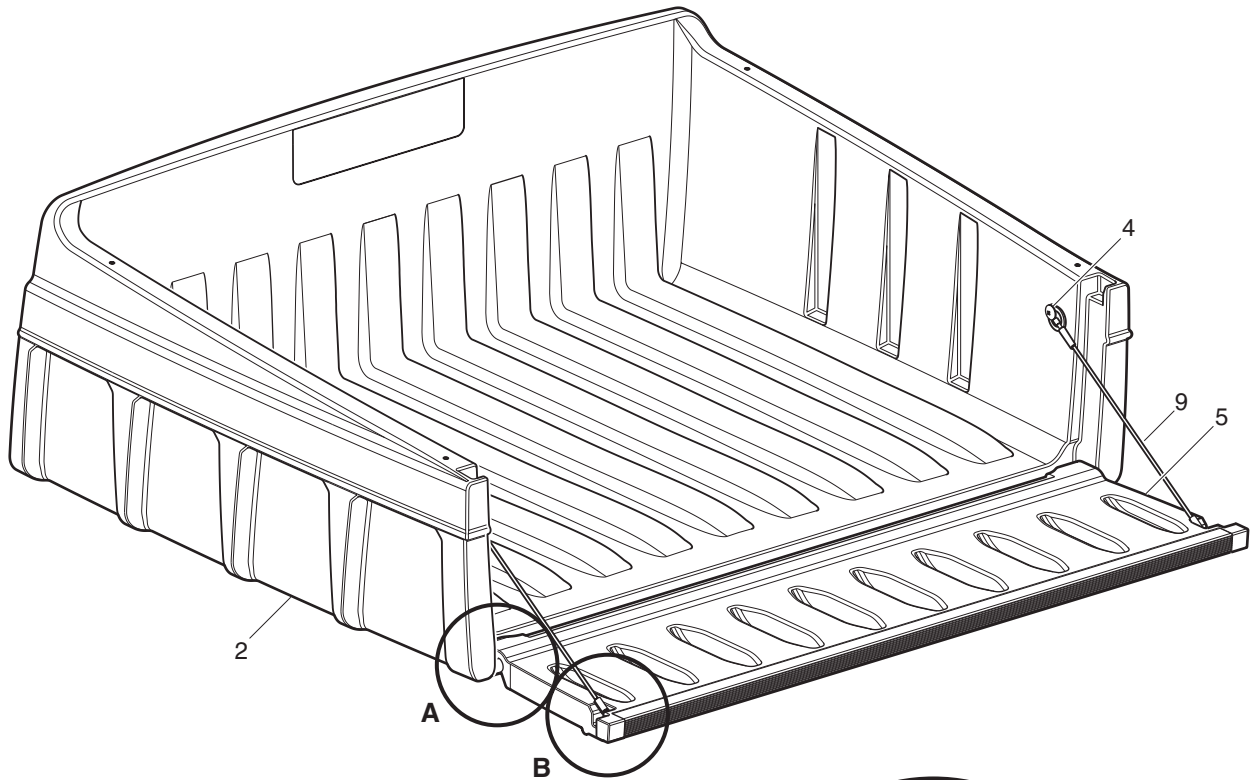
# SEATING

THE USE OF NON U.L. PARTS WILL VOID ANY U.L. LISTING.  
 When ordering parts, please specify the model and serial number of the product.  
 \* Indicates a component that is not available as an individual part.  
 G\*\* Indicates consult Customer Service Department for additional information.

| ITEM | PART NO.  | 1 2 3 4 5 | DESCRIPTION                       | QTY. |
|------|-----------|-----------|-----------------------------------|------|
| 31   | 71702-G01 |           | HIP RESTRAINT (DRIVER SIDE) ..... | 1    |
| 32   | 71204-G01 |           | BOLT, 1/4 - 20 X 7/8" LG. ....    | 8    |
| 33   |           |           |                                   |      |
| 34   | 17074-G1  |           | BUMPER .....                      | 2    |
| 35   |           |           |                                   |      |
| 36   | 71577-G01 |           | BRACKET .....                     | 2    |

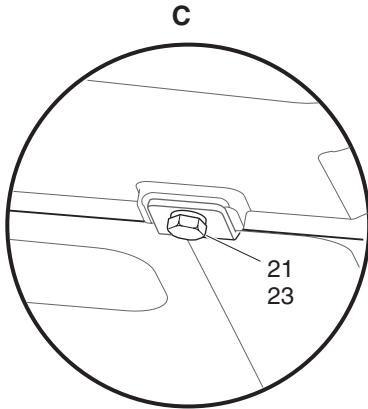
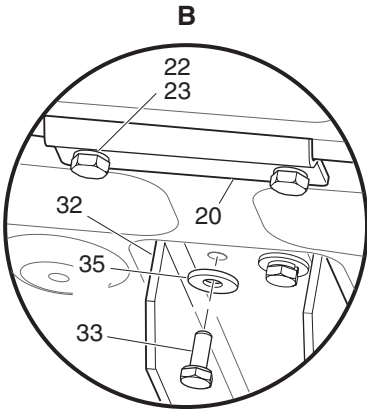
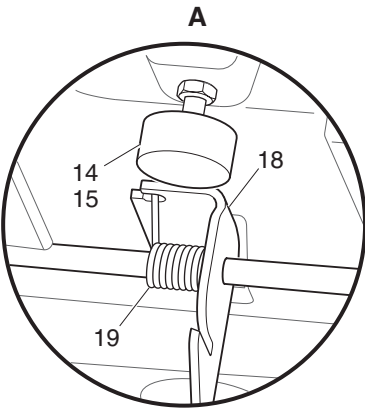
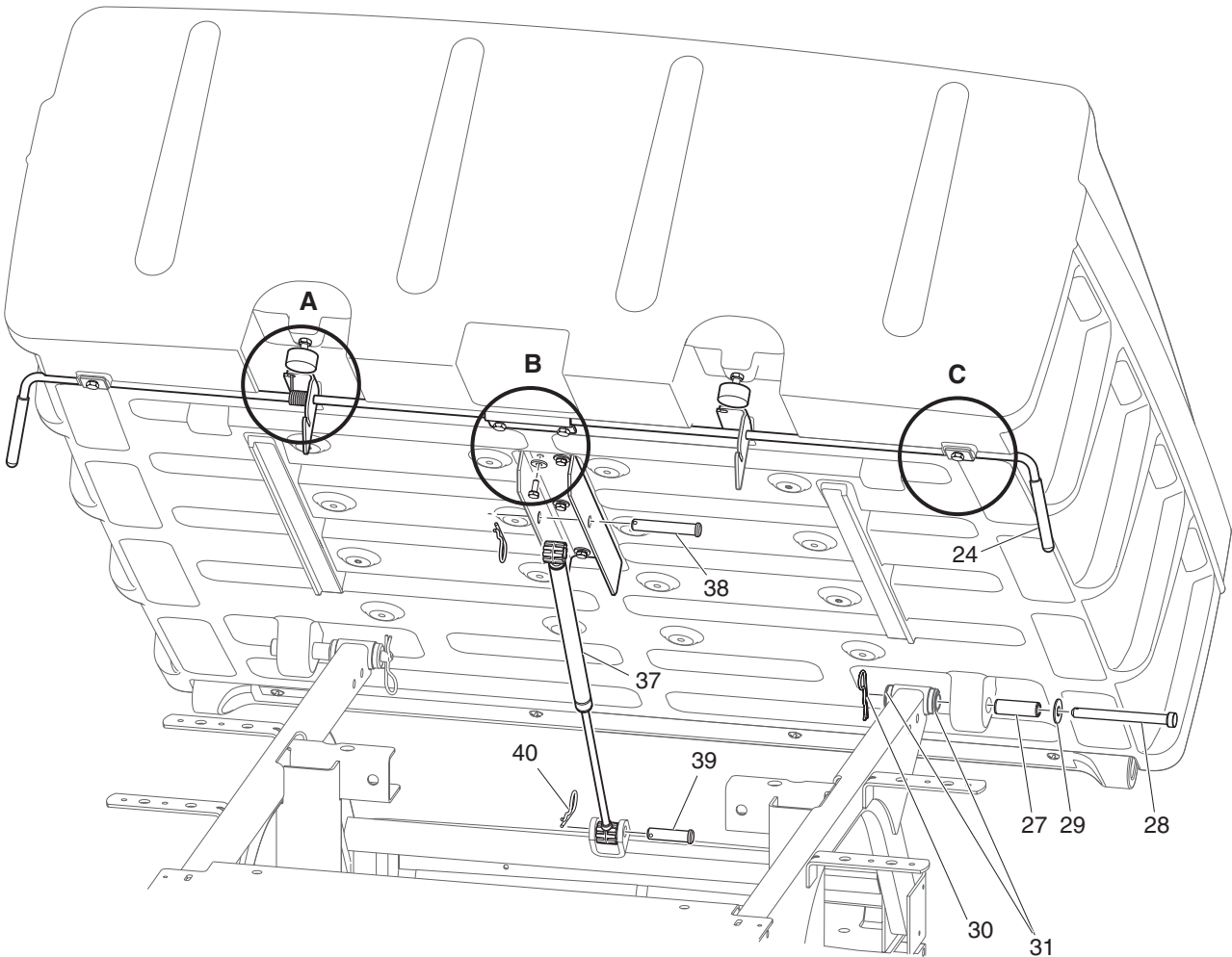


# TRUCK BED, PLASTIC



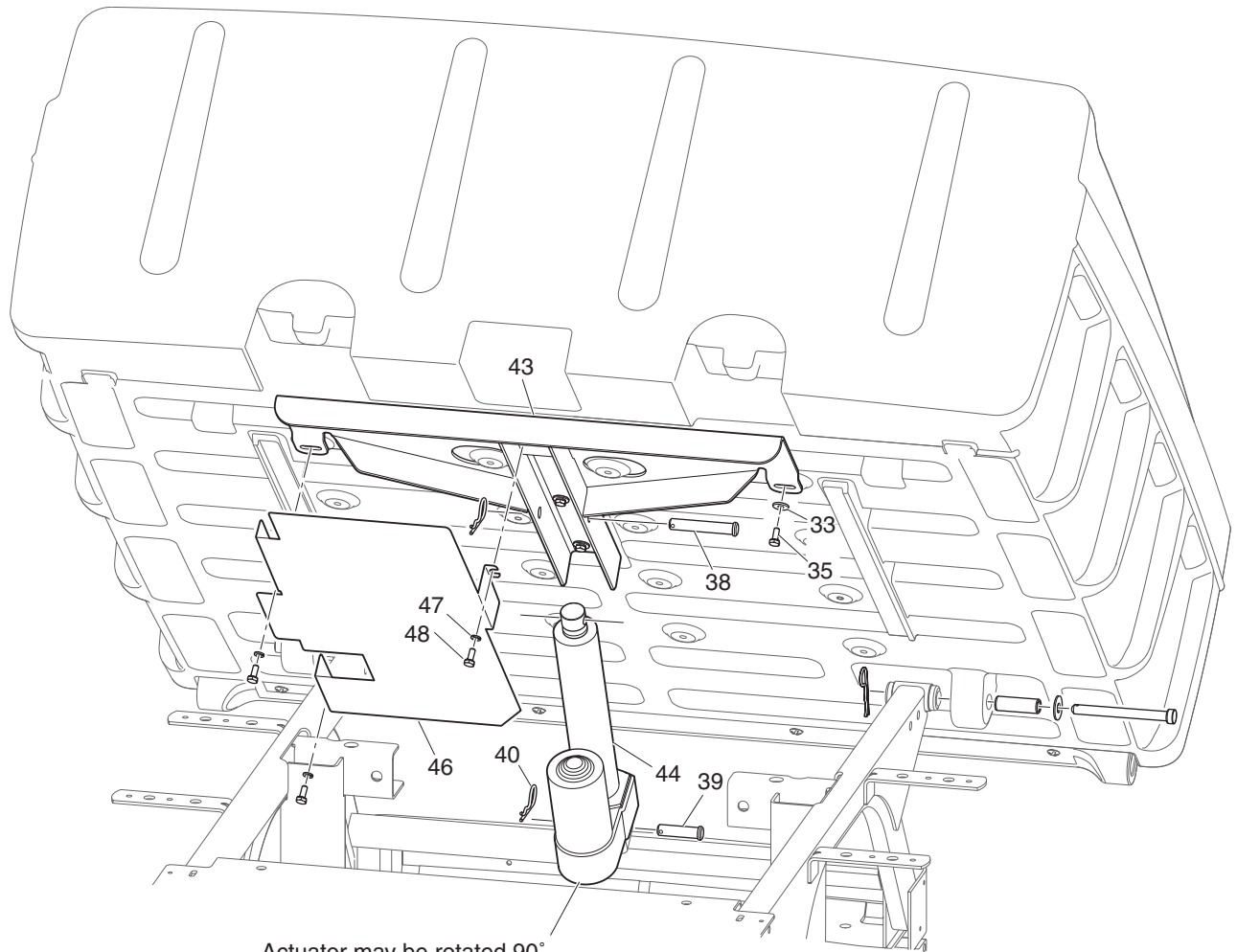
Ref Tbp 21-1

# TRUCK BED, PLASTIC



Ref Tbp 21-2

# TRUCK BED, PLASTIC



Actuator may be rotated 90°  
on some models

Ref Tbp 21-3

# TRUCK BED, PLASTIC

THE USE OF NON U.L. PARTS WILL VOID ANY U.L. LISTING.

When ordering parts, please specify the model and serial number of the product.

\* Indicates a component that is not available as an individual part.

G\*\* Indicates consult Customer Service Department for additional information.

| ITEM | PART NO.  | 1 2 3 4 5 | DESCRIPTION                                      | QTY. |
|------|-----------|-----------|--|------|
| 1    | 73451-G01 |           | BED ASSEMBLY, 40" (INCLUDES ITEMS 2 -11).....    | 1    |
| 2    | 73447-G01 |           | PLASTIC BED, 40" .....                           | 1    |
| 3    | 73454-G01 |           | PIVOT SHAFT .....                                | 2    |
| 4    | 73460-G01 |           | SHOULDER BOLT, 1/4 - 20 X 3/4" LG.....           | 2    |
| 5    | 73448-G01 |           | TAILGATE .....                                   | 1    |
| 6    | 73450-G01 |           | BOWED ANGLE .....                                | 1    |
| 7    | 16705-G2  |           | SCREW, 1/4 - 20 X 5/8" LG (STAINLESS STEEL)..... | 4    |
| 8    | 73449-G01 |           | EXTRUSION CHANNEL.....                           | 1    |
| 9    | 73455-G01 |           | TAILGATE CABLE .....                             | 1    |
| 10   | 71541-G01 |           | TAILGATE CABLE SPACER.....                       | 2    |
| 11   | 16705-G2  |           | SCREW, 1/4 - 20 X 5/8" LG (STAINLESS STEEL)..... | 2    |
| 12   |           |           |  |      |
| 13   |           |           |  |      |
| 14   | 70113-G01 |           | ADJUSTABLE RUBBER BUMPER .....                   | 2    |
| 15   | 00544-G3  |           | JAM NUT, 5/16 - 18 .....                         | 2    |
| 16   |           |           |  |      |
| 17   |           |           |  |      |
| 18   | 71096-G01 |           | BED LATCH .....                                  | 1    |
| 19   | 71538-G01 |           | LATCH TORSION SPRING.....                        | 1    |
| 20   | 71099-G02 |           | KEEPER PLATE.....                                | 2    |
| 21   | 71477-G02 |           | RETAINER BRACKET.....                            | 1    |
| 22   | 01118-G01 |           | SCREW, 1/4 - 20 X 5/8" LG.....                   | 4    |
| 23   |           |           |  |      |
| 24   | 71704-G01 |           | HANDLE GRIP .....                                | 2    |
| 25   |           |           |  |      |
| 26   |           |           |  |      |
| 27   | 71570-G01 |           | BUSHING .....                                    | 2    |
| 28   | 71571-G01 |           | CLEVIS PIN.....                                  | 2    |
| 29   | 15121-G2  |           | WASHER, 1 1/4 X 7/16 .....                       | 2    |
| 30   | 21683-G1  |           | COTTER PIN.....                                  | 2    |



# TRUCK BED, PLASTIC

THE USE OF NON U.L. PARTS WILL VOID ANY U.L. LISTING.

When ordering parts, please specify the model and serial number of the product.

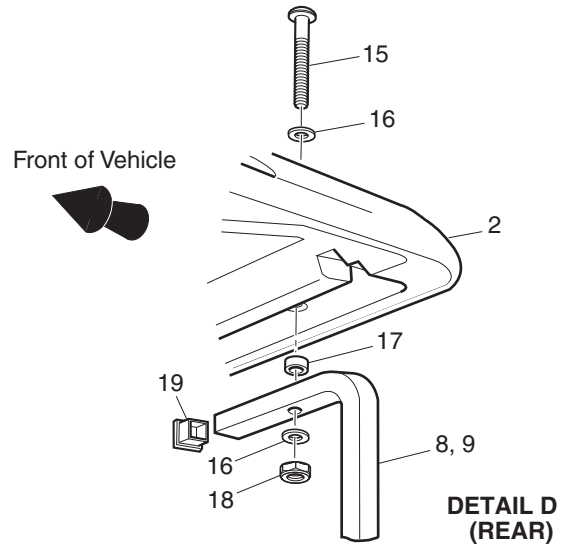
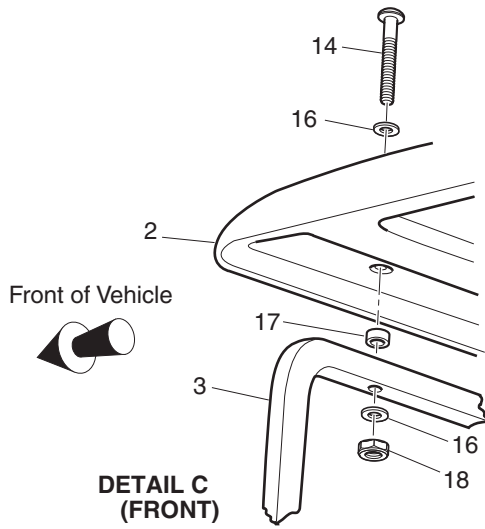
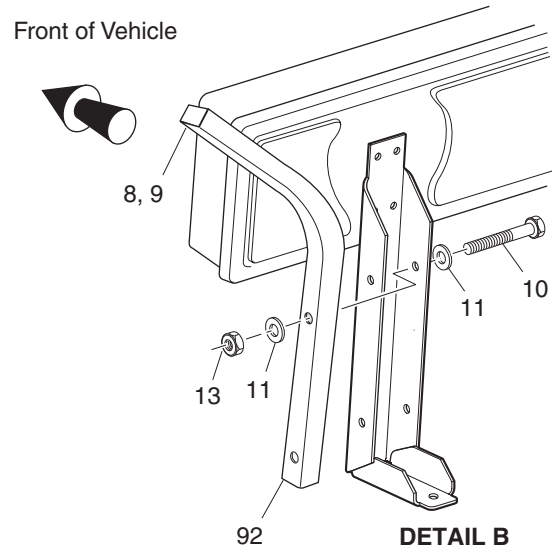
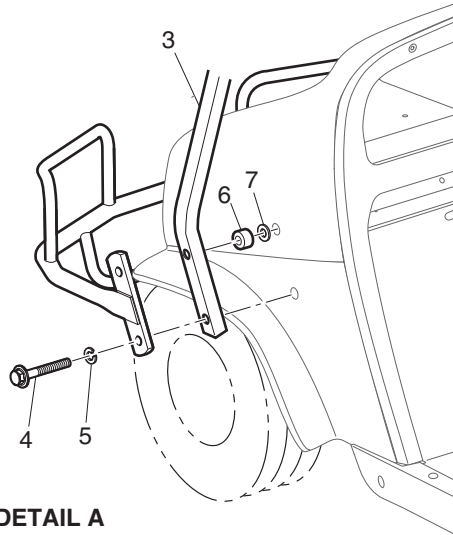
\* Indicates a component that is not available as an individual part.

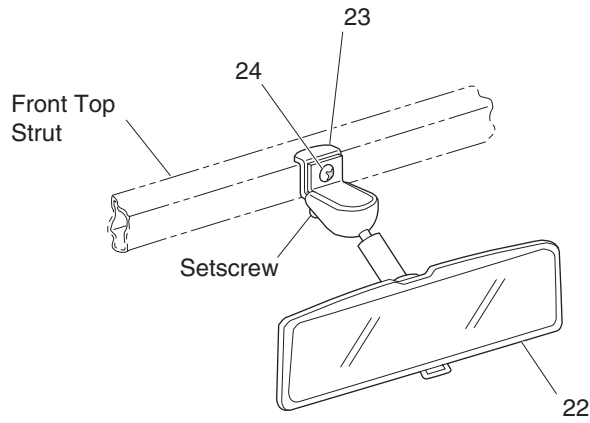
G\*\* Indicates consult Customer Service Department for additional information.

| ITEM | PART NO.  | 1 2 3 4 5 | DESCRIPTION  | QTY. |
|------|-----------|-----------|--|------|
| 31   | 70291-G01 |           | BUSHING .....  | 4    |
| 32   | 71569-G02 |           | SPRING CHANNEL .....                                 | 1    |
| 33   | 01118-G01 |           | SCREW, 1/4 - 20 X 5/8" LG.....                       | 8    |
| 34   |           |           |  |      |
| 35   | 00642-G7  |           | WASHER, 1/4" .....                                   | 8    |
| 36   |           |           |  |      |
| 37   | 71537-G02 |           | GAS SPRING .....                                     | 2    |
| 38   | 14443-G10 |           | CLEVIS PIN, 1/2" X 2 27/32" LG.....                  | 1    |
| 39   | 14443-G11 |           | CLEVIS PIN, 1/2" X 1 3/4" LG.....                    | 1    |
| 40   | 21683-G1  |           | COTTER PIN, .....                                    | 2    |
| 41   |           |           |  |      |
| 42   |           |           |  |      |
| 43   | 71547-G02 |           | OUTRIGGER CHANNEL .....                              | 1    |
| 44   | 27612-G02 |           | ELECTRIC ACTUATOR, 12 VOLT, 1500 LBS.....            | 1    |
| 45   | 27612-G02 |           | ELECTRIC ACTUATOR, 48 VOLT, 1500 LBS.....            | 1    |
| 46   | 72339-G02 |           | PLASTIC BED HEAT SHIELD (GASOLINE VEHICLE ONLY)..... | 1    |
| 47   | 00642-G7  |           | WASHER, 1/4" .....                                   | 2    |
| 48   | 01118-G01 |           | SCREW, 1/4-20 X 5/8" .....                           | 2    |
| 49   |           |           |  |      |
| 50   | 74925-G01 |           | PLATE .....  | 1    |
| 51   | 16816-G2  |           | RIVET.....   | 6    |
| 52   | 74811-G01 |           | LABEL, (E-Z-GO - MPT).....                           | 1    |
| 53   | 28958-G01 |           | LABEL, (E-Z-GO - IND).....                           | 1    |
| 54   | 28960-G01 |           | LABEL, (COMMANDER).....                              | 1    |
| 55   | 74823-G01 |           | LABEL, (JACOBSEN HAULER).....                        | 1    |
| 56   | 74807-G01 |           | LABEL, (1200).....                                   | 1    |
| 57   | 28968-G01 |           | LABEL, (2200).....                                   | 1    |
| 58   | 74805-G01 |           | LABEL, (1000).....                                   | 1    |
| 59   | 28966-G01 |           | LABEL, (2100).....                                   | 1    |



# WEATHER PROTECTION

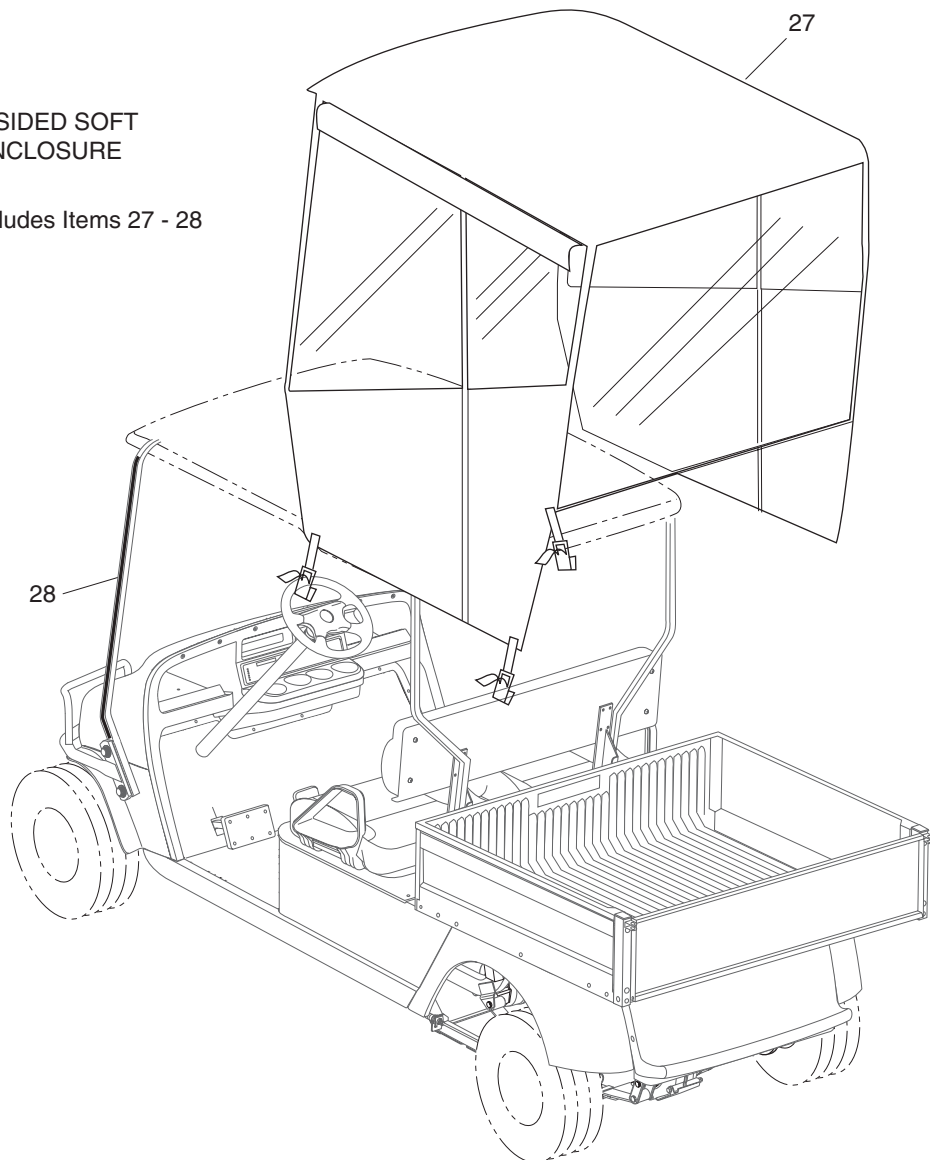




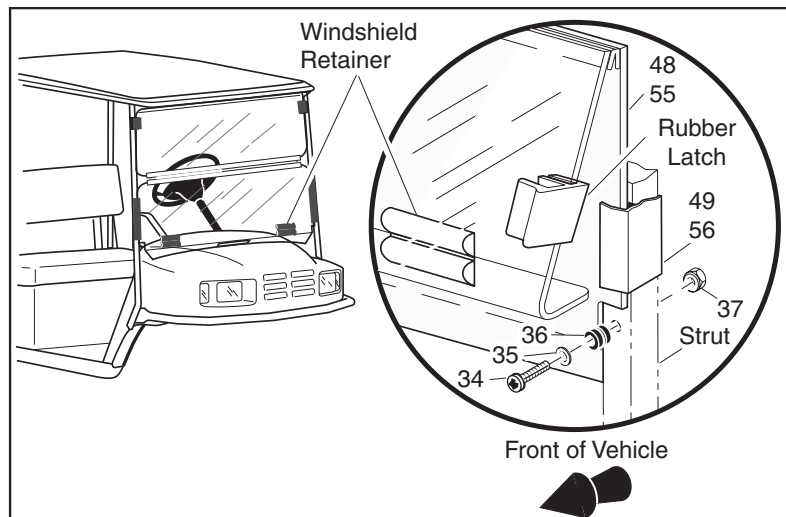
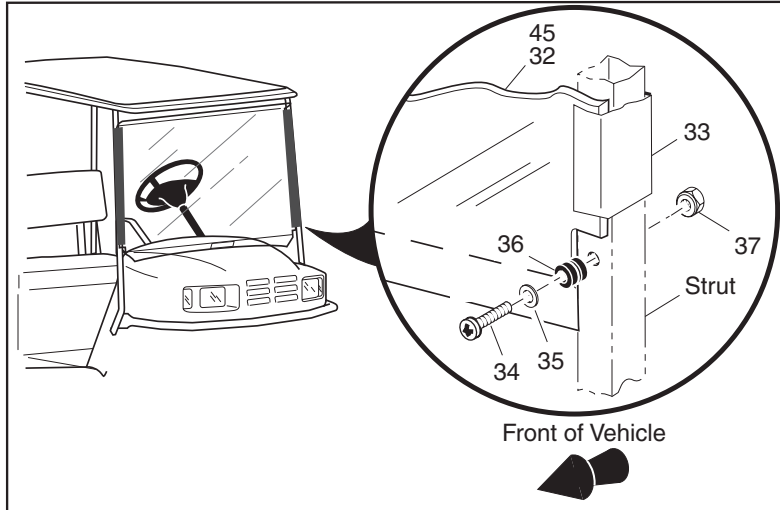
REAR VIEW MIRROR

21 - Includes Items 22 - 24

3-SIDED SOFT ENCLOSURE  
26 - Includes Items 27 - 28



# WEATHER PROTECTION



# WEATHER PROTECTION

THE USE OF NON U.L. PARTS WILL VOID ANY U.L. LISTING.  
 When ordering parts, please specify the model and serial number of the product.  
 \* Indicates a component that is not available as an individual part.  
 G\*\* Indicates consult Customer Service Department for additional information.

| ITEM | PART NO.  | 1 2 3 4 5 | DESCRIPTION  | QTY. |
|------|-----------|-----------|--|------|
| 1    | 75040-G** |           | SUN TOP KIT (INCLUDES ITEMS 2 - 19) .....                                | 1    |
| 2    | 27069-G01 |           | SUN TOP .....  | 1    |
| 3    | 75045-G05 |           | FRONT STRUT.....   | 1    |
| 4    | 01035-G01 |           | BOLT, 5/16 - 18 X 2 1/4" LG.....   | 4    |
| 5    | 00905-G8  |           | LOCK WASHER, 5/16" .....   | 4    |
| 6    | 75048-G01 |           | SPACER, 1/2" .....   | 2    |
| 7    | 00570-G2  |           | WASHER, 5/16" .....  | 6    |
| 8    | 75838-G04 |           | REAR STRUT (PASSENGER SIDE).....   | 1    |
| 9    | 75838-G03 |           | REAR STRUT (DRIVER SIDE).....  | 1    |
| 10   | 00685-G7  |           | BOLT, 5/16 - 18 X 1 3/4" LG.....   | 4    |
| 11   | 00660-G8  |           | WASHER, 5/16" .....  | 8    |
| 12   |           |           |  |      |
| 13   | 11098-G6  |           | LOCK NUT, 5/16 - 18 .....  | 4    |
| 14   | 00753-G5  |           | SCREW, 1/4 - 20 X 2" LG (STAINLESS STEEL).....                           | 2    |
| 15   | 00753-G6  |           | SCREW, 1/4 - 20 X 2 1/4" LG (STAINLESS STEEL).....                       | 2    |
| 16   | 01110-G01 |           | WASHER, 1/4" (STAINLESS STEEL).....                                      | 8    |
| 17   | 75051-G01 |           | SPACER .....   | 4    |
| 18   | 00654-G2  |           | LOCK NUT, 1/4 - 20 .....   | 4    |
| 19   | 19853-G1  |           | END CAP, 1" .....  | 2    |
| 20   |           |           |  |      |
| 21   | 19528-G2  |           | REAR VIEW MIRROR KIT (REQUIRES SUN TOP)<br>(INCLUDES ITEMS 22 - 24)..... | 1    |
| 22   | 19496-G1  |           | REAR VIEW MIRROR .....   | 1    |
| 23   | 19502-G2  |           | SUPPORT BRACKET.....   | 1    |
| 24   | 19527-G1  |           | SCREW, #8 - 32 X 5/8" LG (STAINLESS STEEL).....                          | 1    |
| 25   |           |           |  |      |
| 26   | 75367-G** |           | 3-SIDED SOFT ENCLOSURE (REQUIRES SUN TOP)<br>(INCL ITEMS 27 - 28) .....  | 1    |
| 27   | *         |           | ENCLOSURE.....   | 1    |
| 28   | *         |           | VELCRO .....   | AR   |
| 29   |           |           |  |      |

# WEATHER PROTECTION

Replacement parts for the windshield may be obtained from Eagle Parts, Inc. 1411 Marvin Griffin Rd. Augusta, GA 30906. Telephone (706) 790-6687.

\* Indicates a component that is not available as an individual part.

G\*\* Indicates consult Customer Service Department for additional information.

| ITEM | PART NO.  | 1 | 2 | 3 | 4 | 5 | DESCRIPTION   | QTY. |
|------|-----------|---|---|---|---|---|---|------|
| 30   |           |   |   |   |   |   |   |      |
| 31   | 71966-G01 |   |   |   |   |   | WINDSHIELD KIT (FULL) (INCLUDES ITEMS 32 - 38) .....          | 1    |
| 32   | 71954-G01 |   |   |   |   |   | WINDSHIELD (FULL) (LEXAN) .....                               | 1    |
| 33   | EGWHC12   |   |   |   |   |   | SASH, 26" LG. ....  | 2    |
| 34   | EGWHS12   |   |   |   |   |   | BOLT, 1/4 - 20 X 1 3/4" LG. (STAINLESS STEEL) .....           | 2    |
| 35   | EGWHG12   |   |   |   |   |   | WASHER, 1/4" (STAINLESS STEEL) .....                          | 4    |
| 36   | EGWHG13   |   |   |   |   |   | RUBBER GROMMET .....  | 2    |
| 37   | EGWHN12   |   |   |   |   |   | LOCK NUT, 1/4 - 20 (STAINLESS STEEL) .....                    | 2    |
| 38   | EGWHL14   |   |   |   |   |   | SAFETY LABEL.....   | 1    |
| 39   |           |   |   |   |   |   |   |      |
| 40   |           |   |   |   |   |   |   |      |
| 41   |           |   |   |   |   |   |   |      |
| 42   |           |   |   |   |   |   |   |      |
| 43   |           |   |   |   |   |   |   |      |
| 44   | 71966-G03 |   |   |   |   |   | WINDSHIELD KIT (FULL) (INCLUDES ITEMS 45, 33 - 37) .....      | 1    |
| 45   | 71960-G01 |   |   |   |   |   | WINDSHIELD (FULL) .....                                       | 1    |
| 46   |           |   |   |   |   |   |   |      |
| 47   | 71966-G04 |   |   |   |   |   | WINDSHIELD KIT (SPLIT) (INCLUDES ITEMS 48, 49, 34 - 37) ..... | 1    |
| 48   | 71961-G01 |   |   |   |   |   | WINDSHIELD (SPLIT).....                                       | 1    |
| 49   | EGWHC10   |   |   |   |   |   | SASH, 12" LG. ....  | 2    |
| 50   |           |   |   |   |   |   |   |      |
| 51   |           |   |   |   |   |   |   |      |
| 52   |           |   |   |   |   |   |   |      |
| 53   |           |   |   |   |   |   |   |      |
| 54   | 71966-G02 |   |   |   |   |   | WINDSHIELD KIT (SPLIT) (INCLUDES ITEMS 55, 56, 34 - 37) ..... | 1    |
| 55   | 71955-G01 |   |   |   |   |   | WINDSHIELD (SPLIT) (LEXAN).....                               | 1    |
| 56   | EGWHC10   |   |   |   |   |   | SASH, 12" LG. ....  | 2    |

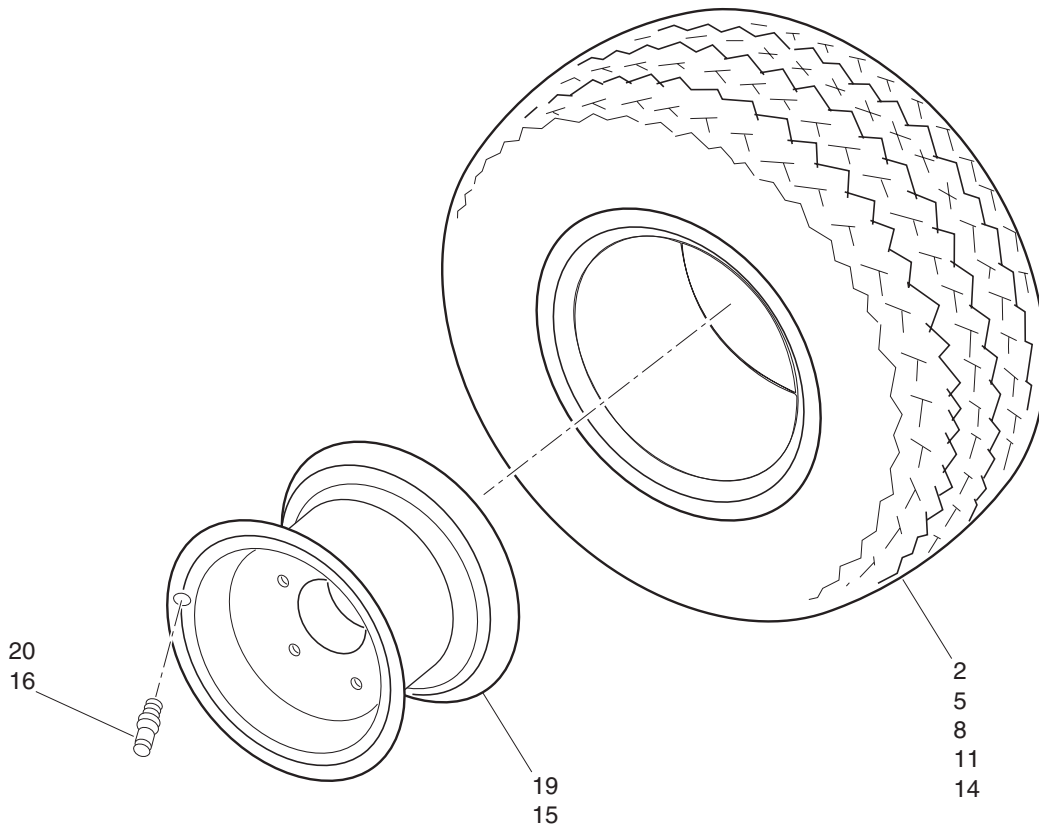




# WHEELS AND TIRES

- 1 - Includes Items 2, 19, 20
- 4 - Includes Items 5, 19, 20
- 7 - Includes Items 8, 19, 20
- 10 - Includes Items 11, 19, 20
- 13 - Includes Items 14, 15, 16

Tire design may vary by Part Number



*Ref Whl 3-1*



GOLD / SILVER SPOKE HUBCAP  
22, 23

# WHEELS AND TIRES

When ordering parts, please specify the model and serial number of the product.

\* Indicates a component that is not available as an individual part.

G\*\* Indicates consult Customer Service Department for additional information.

| ITEM | PART NO.  | 1 2 3 4 5 | DESCRIPTION  | QTY. |
|------|-----------|-----------|--|------|
| 1    | 27770-G01 |           | WHEEL AND TIRE ASSEMBLY, LINKS (INCLUDES ITEMS 2, 19, 20) .....    | A/R  |
| 2    | 28757-G01 |           | CARLISLE TIRE (LINKS 18 X 8.5 - 8, 4 PLY RATED).....               | A/R  |
| 3    |           |           |  |      |
| 4    | 27770-G03 |           | WHEEL AND TIRE ASSEMBLY, TURF SAVER (INCLUDES ITEMS 5, 19, 20) ..  | A/R  |
| 5    | 28757-G03 |           | CARLISLE TIRE (TURF SAVER 18 X 8.5 - 8, 4 PLY RATED) .....         | A/R  |
| 6    |           |           |  |      |
| 7    | 27770-G06 |           | WHEEL AND TIRE ASSEMBLY, LINKS (INCLUDES ITEMS 8, 19, 20) .....    | A/R  |
| 8    | 28757-G05 |           | CARLISLE TIRE (LINKS 18 X 8.5 - 8, 4 PLY RATED).....               | A/R  |
| 9    |           |           |  |      |
| 10   | 27774-G01 |           | WHEEL AND TIRE ASSEMBLY, USA TRAIL (INCLUDES ITEMS 11, 19, 20) ... | A/R  |
| 11   | 28764-G06 |           | CARLISLE TIRE (USA TRAIL 6 PLY 18.5 X 8.5 - 8, LOAD RANGE C) ..... | A/R  |
| 12   |           |           |  |      |
| 13   | 27784-G02 |           | WHEEL AND TIRE ASSEMBLY, USA TRAIL (INCLUDES ITEMS 14, 15 16) .... | A/R  |
| 14   | 27784-G04 |           | CARLISLE TIRE (USA TRAIL 5.70 X 8).....                            | A/R  |
| 15   | 33678-G01 |           | WHEEL RIM (4 LUG).....   | A/R  |
| 16   | 26482-G01 |           | VALVE STEM.....  | A/R  |
| 17   |           |           |  |      |
| 18   |           |           |  |      |
| 19   | 28759-G01 |           | WHEEL RIM (4 LUG).....   | A/R  |
| 20   | 11657-G1  |           | VALVE STEM.....  | A/R  |
| 21   |           |           |  |      |
| 22   | 19241-G*  |           | GOLD SPOKE HUBCAP (OPTIONAL) .....                                 | A/R  |
| 23   | 19241-G*  |           | SILVER SPOKE HUBCAP (OPTIONAL) .....                               | A/R  |

## **SPECIALTY PRODUCTS**

# **SPECIALTY PRODUCTS**

## SPECIALTY PRODUCTS

| <b>SPECIAL TOOLS</b>                                | <b>PART NO.</b> |
|---|-----------------|
| BATTERY MAINTENANCE KIT .....                       | 25587-G01       |
| SEAL INSTALLATION TOOL (REAR AXLE SHAFT SEAL) ..... | 18739-G1        |
| BATTERY SET DISCHARGER, 36 VOLT, 75 AMP .....       | 28251-G01       |
| CURRENT INDICATOR.....                              | 16489-G2        |
| DIGITAL MULTI-METER .....                           | 27481-G01       |
| CRIMPING TOOL .....                                 | 27765-G01       |
| SLIDE HAMMER (AXLE/HUB REMOVAL) .....               | 15947-G1        |
| SLIDE HAMMER (AXLE REMOVAL ONLY) .....              | 18753-G1        |

| <b>TOUCH UP PAINT</b>                                     | <b>PART NO.</b> |
|---|-----------------|
| PEN 3 OUNCE (89 ML) - HUNTER GREEN .....                  | 28432-G02       |
| PEN 3 OUNCE (89 ML) - CHAMPAGNE BEIGE .....               | 28432-G01       |
| PEN 3 OUNCE (89 ML) - WHITE .....                         | 28432-G05       |
| PEN 3 OUNCE (89 ML) - INDUSTRIAL YELLOW.....              | 28432-G03       |
| PEN 3 OUNCE (89 ML) - ORANGE .....                        | 28432-G04       |
| PEN 3 OUNCE (89 ML) - STEEL BLUE PEARL .....              | 28432-G**       |
| PEN 3 OUNCE (89 ML) - CAMOUFLAGE PAINT (THREE PENS) ..... | 75831-G01       |
| AEROSOL 12 OUNCE (360 ML) - HUNTER GREEN .....            | 28140-G09       |
| AEROSOL 12 OUNCE (360 ML) - CHAMPAGNE BEIGE .....         | 28140-G15       |
| AEROSOL 12 OUNCE (360 ML) - WHITE .....                   | 28140-G03       |
| AEROSOL 12 OUNCE (360 ML) - INDUSTRIAL YELLOW.....        | 28140-G14       |
| AEROSOL 12 OUNCE (360 ML) - ORANGE .....                  | 28140-G13       |
| AEROSOL 12 OUNCE (360 ML) - STEEL BLUE PEARL .....        | 28140-G**       |

| <b>MAINTENANCE PRODUCTS</b>                                      | <b>PART NO.</b> |
|--|-----------------|
| FORMULA 40 VINYL-COAT® - WHITE .....                             | 28166-G01       |
| PLEXUS® CLEANER, 7 OUNCE (210 ML) (FOR WINDSHIELDS) .....        | 28433-G01       |
| PLEXUS® CLEANER, 13 OUNCE (380 ML) (FOR WINDSHIELDS) .....       | 28433-G02       |
| BATTERY PROTECTOR, 14 OUNCE (410 ML) SPRAY .....                 | 75500-G01       |
| WHITE LITHIUM GREASE, 14 OUNCE (410 ML) SPRAY.....               | 75502-G01       |
| PENETRANT/LUBRICANT, 15 OUNCE (440 ML) SPRAY .....               | 75503-G01       |
| MULTI-PURPOSE CLEANER & DEGREASER, 14 OUNCE (410 ML) SPRAY ..... | 75504-G01       |
| MULTI-PURPOSE HAND CLEANER, 32 OUNCE (950 ML) LIQUID .....       | 75505-G01       |

## SPECIALTY PRODUCTS

|  |           |
|--|-----------|
| BATTERY CLEANER, 32 OUNCE (950 ML) WITH TRIGGER SPRAYER .....        | 75506-G01 |
| BIO-DEGRADABLE CLEANER, 32 OUNCE (950 ML) WITH TRIGGER SPRAYER ..... | 75507-G01 |
| MULTI-PURPOSE VALUE PACK.....  | 75508-G01 |
| • BATTERY PROTECTOR, 4 OUNCE (120 ML) SPRAY                          |           |
| • PENETRANT/LUBRICANT, 4 OUNCE (120 ML) SPRAY                        |           |
| • WHITE LITHIUM GREASE, 4 OUNCE (120 ML) SPRAY                       |           |
| • CARBURETOR & CHOKE CLEANER, 4 OUNCE (120 ML) SPRAY                 |           |

# **SPECIALTY PRODUCTS**

**Notes:** \_\_\_\_\_

\_\_\_\_\_

\_\_\_\_\_

\_\_\_\_\_

\_\_\_\_\_

\_\_\_\_\_

\_\_\_\_\_

\_\_\_\_\_

\_\_\_\_\_

\_\_\_\_\_

\_\_\_\_\_

\_\_\_\_\_

\_\_\_\_\_

\_\_\_\_\_

\_\_\_\_\_

\_\_\_\_\_

\_\_\_\_\_

\_\_\_\_\_

\_\_\_\_\_

\_\_\_\_\_

\_\_\_\_\_

\_\_\_\_\_

\_\_\_\_\_

\_\_\_\_\_

\_\_\_\_\_

\_\_\_\_\_

\_\_\_\_\_

\_\_\_\_\_

\_\_\_\_\_

\_\_\_\_\_

\_\_\_\_\_

\_\_\_\_\_

\_\_\_\_\_

\_\_\_\_\_

\_\_\_\_\_

\_\_\_\_\_

\_\_\_\_\_

\_\_\_\_\_

\_\_\_\_\_

\_\_\_\_\_

## **OPTIONS/ACCESSORIES**

# **OPTIONS/ACCESSORIES**





# **OPTIONS/ACCESSORIES**

## OPTIONS/ACCESSORIES

| ITEM  | KIT NO.         | COMMENTS               |
|---|-----------------|------------------------|
| <b>ACCESSORIES LISTING</b>                  |                 |                        |
|   | <b>KIT NO.</b>  |                        |
| ASHTRAY KIT .....                           | 75109-G04 ..... | See BODY               |
| BALL HITCH KIT .....                        | 74492-G01 ..... | See BODY               |
| CLEVIS HITCH KIT .....                      | 74492-G05 ..... | See BODY               |
| DEFROSTER/COOLING FAN .....                 | 74248-G01 ..... | See CAB                |
| DOOR SET .....                              | 75856-G0* ..... | See CAB                |
| DOOR SET (VINYL) .....                      | 75855-G01 ..... | See CAB                |
| ELECTRIC DUMP KIT .....                     | 74658-G05 ..... | See TRUCKBED           |
| GLOVE BOX DOOR .....                        | 75456-G0* ..... | See BODY               |
| HOUR METER KIT .....                        | 74914-G02 ..... | See ELECTRICAL SYSTEM  |
| INSIDE MIRROR .....                         | 27924-G01 ..... | See WEATHER PROTECTION |
| INSTRUMENT/SWITCH PANEL .....               | 74250-G01 ..... | See CAB                |
| REAR VIEW MIRROR KIT .....                  | 19528-G2 .....  | See WEATHER PROTECTION |
| SOFT ENCLOSURE .....                        | 75367-G** ..... | See WEATHER PROTECTION |
| STEEL CAB, W/O DOORS .....                  | 75854-G0* ..... | See CAB                |
| STROBE LIGHT .....                          | 74245-G01 ..... | See CAB                |
| SUN TOP KIT .....                           | 75040-G** ..... | See WEATHER PROTECTION |
| TURN SIGNAL KIT .....                       | 75107-G02 ..... | See ELECTRICAL SYSTEM  |
| GOLD SPOKE WHEEL COVERS .....               | 19241-G* .....  | See WHEELS AND TIRES   |
| SILVER SPOKE WHEEL COVERS .....             | 19241-G* .....  | See WHEELS AND TIRES   |
| WINDSHIELDS .....                           | 71966-G0* ..... | See WEATHER PROTECTION |
| WINDSHIELD WIPER .....                      | 74244-G01 ..... | See CAB                |
| WORK LIGHTS .....                           | 74247-G01 ..... | See CAB                |
| WORK LIGHT BAR WITH LIGHTS .....            | 71323-G04 ..... | See ELECTRICAL SYSTEM  |
| WORK LIGHT BAR WITH STROBE .....            | 71323-G05 ..... | See ELECTRICAL SYSTEM  |
| WORK LIGHT BAR WITH LIGHTS AND STROBE ..... | 71323-G06 ..... | See ELECTRICAL SYSTEM  |

## OPTIONS/ACCESSORIES

ITEM

KIT NO.

COMMENTS



A Textron Company

E-Z-GO Division of Textron, Inc.  
P.O. Box 388 Augusta, Georgia 30903-0388 USA  
Inside USA Phone: 1-800-241-5855, FAX: 1-800-448-8124  
Outside USA Phone: 010-1-706-798-4311, FAX: 010-1-706-771-4609

Copyrighted Material  
This manual may not be reproduced in whole or  
in part without the express permission of  
E-Z-GO Division of Textron, Inc.  
Technical Communications Department