

SERVICE QUICK REFERENCE MANUAL

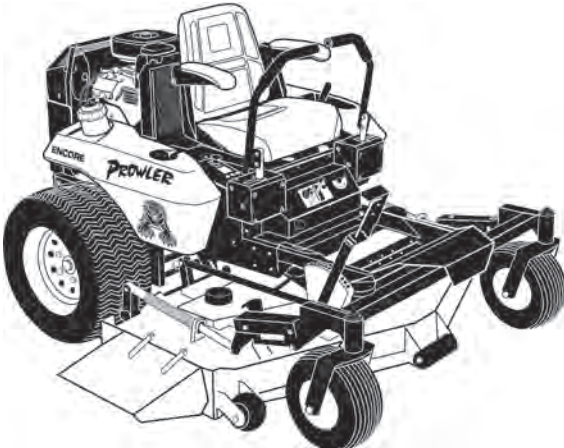
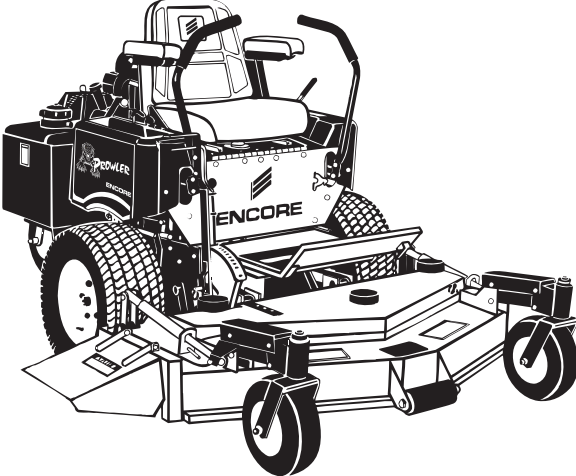
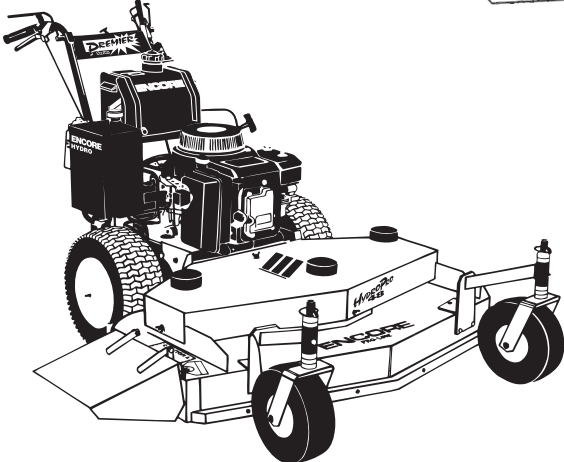
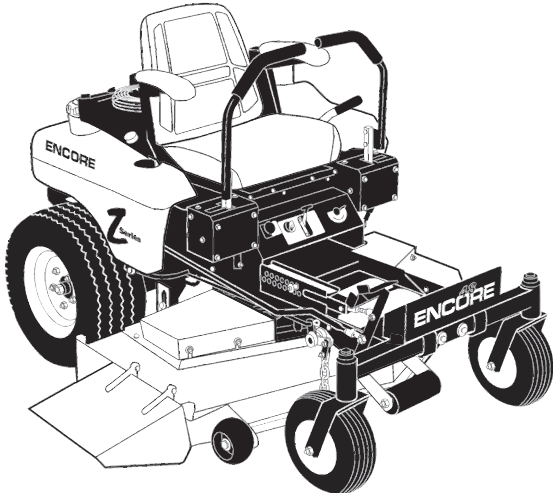
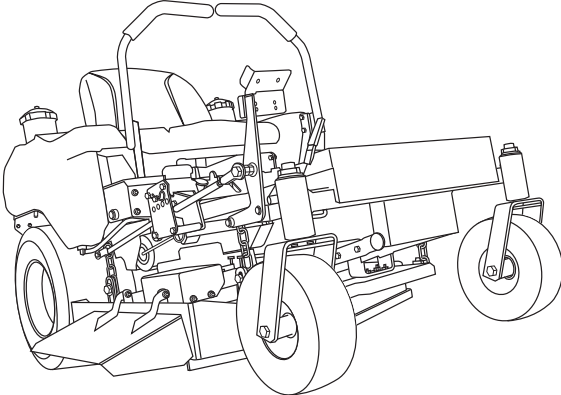


Table of Contents

Contact Information	i	52K23X	D-4
Premier Units	A	60B25X	D-5
WB32B12	A-1	60K25X	D-6
WB32B12ES	A-2	Prowler Units	E
WB32K13	A-3	Mid-Cut Series	
WB36B12	A-4	52K23A	E-1
WB36B12ES	A-5	52K25A	E-2
WB36K13	A-6	52K27L	E-3
WB36K15	A-7	61K25A	E-4
WB48K15	A-8	61K27L	E-5
WB48K17	A-9	61K28A	E-6
WB36K13H	A-10	61B27LDML	E-7
WB48K15H	A-11	72K27L	E-8
WB48K17H	A-12	72B27LDML	E-9
WB48K17ESH	A-13	72K28A	E-10
Fuzion Units	B	Front-Cut Series	
Mid-Cut Series		K700PFC	E-11
F34B18	B-1	K800PFC	E-12
F34K15	B-2	K850PFC	E-13
F42B18	B-3	K900PFC	E-14
F42K17	B-4	B850PFC	E-15
F48B18	B-5	B950PFC	E-16
F48K19	B-6	Notes	F
Front-Cut Series			
F48K17FC	B-7		
Z Series Units	C		
34B18Z	C-1		
34K15Z	C-2		
42B18Z	C-3		
42K17Z	C-4		
48K19Z	C-5		
52K21Z	C-6		
60K25Z	C-7		
X-treme Units	D		
48B20X	D-1		
48K19X	D-2		
52B25X	D-3		

Contact Information

Transmissions

Parker Hydraulics (wheel motors)

www.parker.com 1-800-272-7537

Hydro-Gear (hydraulic pumps)

www.hydro-gear.com 217-728-2581

Eaton (transaxles - ProLine Rider)

www.eatonhydraulics.com 1-888-258-0222

Peerless (transmissions - Walk-Behind)

www.tecumsehpower.com 1-800-558-5402

Curtis Machine (gearboxes)

www.curtismachine.com 1-800-835-9166

Engine Manufacturers

Kawasaki

www.kawpowr.com 1-866-836-4463 / 949-460-5655

Briggs and Stratton

www.briggsandstratton.com 414-259-5333 / 1-800-558-0874

Briggs and Stratton Daihatsu

www.daihatsu.com 1-800-274-4485

Tecumseh

www.tecumsehpower.com 1-800-558-5402

****Illustrated parts lists can be provided for components of Parker, Hydro-Gear and Peerless upon request.**

WB32B12

Engine

12hp Briggs & Stratton 218802-0111

Blades

483035 16" blade
 483049 16" mulch blade
 483050 16" super hi-lift blade

Belts

363312 wheel drive belt
 363212 transmission belt
 323003 blade drive belt
 N/A RH blade belt

Tires

323027 drive wheel complete
 323025 drive tire (13x5x6)
 323026 rim w/ valvestem
 363311 front caster complete
 363260 front tire & tube

Brake

363176 6" brake band

Spindles

Serial # changeover 33333

<u>New Style</u>	<u>Description</u>	<u>Old Style</u>
363379	spindle assy comp.	362044
363380	housing	363053
363350	bearing	363350
583112	shaft	363058
583113	brg. Spacer tube	N/A
N/A	dust cap	363060
N/A	2 7/16" ret. ring	108506
N/A	1" ret. ring	108507

Transmission (Peerless, lifetime lubricated w/ bentonite grease)

<u>32 Spleen</u>	<u>Description</u>	<u>9 Spleen</u>	Serial # Changeover 27850
363180	transmission	363365	
362063	coupler w/ zerk	362086	
363051	shaft extension	363367	
108508	5/8" snapping	108508	
700-700-032	spec. #	700-700-079	

Throttle

363352 Serial # 28160 and above (coincides w/ new style handlebar w/ console)
 363268 Below serial # 28160

Choke

N/A

Wire Harness

<u>Old Style</u>	<u>Current/Replacement</u>	<u>Safety Module</u>
N/A	363388	363372

Electrical Components

363164 Blade Switch
 363208 OPC Switch
 363207 Transmission Switch

Torque Specs

65 ft-lbs blade bolt
 90 ft-lbs nut on top of spindle

Pulleys

363264 tensioner pulley-blade belt
 363169 tensioner pulley-trans. belt
 363220 transmission pulley
 363216 taperlock sheave-engine
 363168 idler pulley-wheeldrive belts
 363137 2-groove sheave
 363378 raised pulley-blade spindle

Front Caster Bearings

before serial # 32300

363012 roller bearing
 363011 end cap

after serial # 32300

423200 bearing
 423201 bearing retainer

WB32B12ES

Engine

12hp Briggs & Stratton electric start 218807-0112

Blades

483035 16" blade
 483049 16" mulch blade
 483050 16" super hi-lift blade

Belts

363312 wheel drive belt
 363212 transmission belt
 323003 blade drive belt
 N/A RH blade belt

Tires

323027 drive wheel complete
 323025 drive tire (13x5x6)
 323026 rim w/ valvestem
 363311 front caster complete
 363260 front tire & tube

Brake

363176 6" brake band

Spindles

Serial # changeover 33333

<u>New Style</u>	<u>Description</u>	<u>Old Style</u>
363379	spindle assy comp.	362044
363380	housing	363053
363350	bearing	363350
583112	shaft	363058
583113	brg. Spacer tube	N/A
N/A	dust cap	363060
N/A	2 7/16" ret. ring	108506
N/A	1" ret. ring	108507

Transmission (Peerless, lifetime lubricated w/ bentonite grease)

<u>32 Spleen</u>	<u>Description</u>	<u>9 Spleen</u>	Serial # Changeover 27850
363180	transmission	363365	
362063	coupler w/ zerk	362086	
363051	shaft extension	363367	
108508	5/8" snapping	108508	
700-700-032	spec. #	700-700-079	

Throttle

363352 Serial # 28160 and above (coincides w/ new style handlebar w/ console)
 363268 Below serial # 28160

Choke

N/A

Wire Harness

<u>Old Style</u>	<u>Current/Replacement</u>	<u>Safety Module</u>
363344	363344	423030

Electrical Components

363164 Blade Switch
 363208 OPC Switch
 363207 Transmission Switch
 423027 Ignition Switch
 422150 Starter Relay

Torque Specs

65 ft-lbs blade bolt
 90 ft-lbs nut on top of spindle

Pulleys

363264 tensioner pulley-blade belt
 363169 tensioner pulley-trans. belt
 363220 transmission pulley
 363216 taperlock sheave-engine
 363168 idler pulley-wheeldrive belts
 363137 2-groove sheave
 363378 raised pulley-blade spindle

Front Caster Bearings

before serial # 32300

363012 roller bearing
 363011 end cap

after serial # 32300

423200 bearing
 423201 bearing retainer

WB32K13

Engine

13hp Kawasaki FH381V-BS22

Blades

483035 16" blade
 483049 16" mulch blade
 483050 16" super hi-lift blade

Belts

363312 wheel drive belt
 363212 transmission belt
 323003 blade drive belt
 N/A RH blade belt

Tires

323027 drive wheel complete
 323025 drive tire (13x5x6)
 323026 rim w/ valvestem
 363311 front caster complete
 363260 front tire & tube

Brake

363176 6" brake band

Spindles

Serial # changeover 33333

<u>New Style</u>	<u>Description</u>	<u>Old Style</u>
363379	spindle assy comp.	362044
363380	housing	363053
363350	bearing	363350
583112	shaft	363058
583113	brg. Spacer tube	N/A
N/A	dust cap	363060
N/A	2 7/16" ret. ring	108506
N/A	1" ret. ring	108507

Transmission (Peerless, lifetime lubricated w/ bentonite grease)

<u>32 Spleen</u>	<u>Description</u>	<u>9 Spleen</u>	Serial # Changeover 27850
363180	transmission	363365	
362063	coupler w/ zerk	362086	
363051	shaft extension	363367	
108508	5/8" snapping	108508	
700-700-032	spec. #	700-700-079	

Throttle

363352 Serial # 28160 and above (coincides w/ new style handlebar w/ console)
 363268 Below serial # 28160

Choke

N/A

Wire Harness

<u>Old Style</u>	<u>Current/Replacement</u>	<u>Safety Module</u>
N/A	363371	363372

Electrical Components

363164 Blade Switch
 363208 OPC Switch
 363207 Transmission Switch
 603060 Run/Stop Switch

Torque Specs

65 ft-lbs blade bolt
 90 ft-lbs nut on top of spindle

Pulleys

363264 tensioner pulley-blade belt
 363169 tensioner pulley-trans. belt
 363220 transmission pulley
 363216 taperlock sheave-engine
 363168 idler pulley-wheeldrive belts
 363137 2-groove sheave
 363378 raised pulley-blade spindle

Front Caster Bearings

before serial # 32300

363012 roller bearing
 363011 end cap

after serial # 32300

423200 bearing
 423201 bearing retainer

WB36B12

Engine

12hp Briggs & Stratton 218802-0111

Blades

363291 18" blade
 363293 18" low lift blade
 523376 18" mulch blade
 523449 18" super hi-lift blade

Belts

363312 wheel drive belt
 363212 transmission belt
 363210 blade drive belt
 N/A RH blade belt

Tires

362048 drive wheel complete
 363186 drive tire (13x6.5x6)
 363189 rim w/ valvestem
 363311 front caster complete
 363260 front tire & tube

Brake

363176 6" brake band

Spindles

Serial # changeover 33333

<u>New Style</u>	<u>Description</u>	<u>Old Style</u>
363379	spindle assy comp.	362044
363380	housing	363053
363350	bearing	363350
583112	shaft	363058
583113	brg. Spacer tube	N/A
N/A	dust cap	363060
N/A	2 7/16" ret. ring	108506
N/A	1" ret. ring	108507

Transmission (Peerless, lifetime lubricated w/ bentonite grease)

<u>32 Spleen</u>	<u>Description</u>	<u>9 Spleen</u>	Serial # Changeover 27850
363180	transmission	363365	
362063	coupler w/ zerk	362086	
363051	shaft extension	363367	
108508	5/8" snapping	108508	
700-700-032	spec. #	700-700-079	

Throttle

363352 Serial # 28160 and above (coincides w/ new style handlebar w/ console)
 363268 Below serial # 28160

Choke

N/A

Wire Harness

<u>Old Style</u>	<u>Current/Replacement</u>	<u>Safety Module</u>
N/A	363388	363372

Electrical Components

363164 Blade Switch
 363208 OPC Switch
 363207 Transmission Switch

Torque Specs

65 ft-lbs blade bolt
 90 ft-lbs nut on top of spindle

Pulleys

363264 tensioner pulley-blade belt
 363169 tensioner pulley-trans. belt
 363220 transmission pulley
 363216 taperlock sheave-engine
 363168 idler pulley-wheeldrive belts
 363137 2-groove sheave
 363378 raised pulley-blade spindle

Front Caster Bearings

before serial # 32300

363012 roller bearing
 363011 end cap

after serial # 32300

423200 bearing
 423201 bearing retainer

WB36B12ES

Engine

12hp Briggs & Stratton electric start 218807-0112

Blades

363291 18" blade
 363293 18" low lift blade
 523376 18" mulch blade
 523449 18" super hi-lift blade

Belts

363312 wheel drive belt
 363212 transmission belt
 363210 blade drive belt
 N/A RH blade belt

Tires

362048 drive wheel complete
 363186 drive tire (13x6.5x6)
 363189 rim w/ valvestem
 363311 front caster complete
 363260 front tire & tube

Brake

363176 6" brake band

Spindles

Serial # changeover 33333

<u>New Style</u>	<u>Description</u>	<u>Old Style</u>
363379	spindle assy comp.	362044
363380	housing	363053
363350	bearing	363350
583112	shaft	363058
583113	brg. Spacer tube	N/A
N/A	dust cap	363060
N/A	2 7/16" ret. ring	108506
N/A	1" ret. ring	108507

Transmission (Peerless, lifetime lubricated w/ bentonite grease)

<u>32 Spleen</u>	<u>Description</u>	<u>9 Spleen</u>	Serial # Changeover 27850
363180	transmission	363365	
362063	coupler w/ zerk	362086	
363051	shaft extension	363367	
108508	5/8" snapping	108508	
700-700-032	spec. #	700-700-079	

Throttle

363352 Serial # 28160 and above (coincides w/ new style handlebar w/ console)
 363268 Below serial # 28160

Choke

N/A

Wire Harness

<u>Old Style</u>	<u>Current/Replacement</u>	<u>Safety Module</u>
363344	363344	423030

Electrical Components

363164 Blade Switch
 363208 OPC Switch
 363207 Transmission Switch
 423027 Ignition Switch
 422150 Starter Relay

Torque Specs

65 ft-lbs blade bolt
 90 ft-lbs nut on top of spindle

Pulleys

363264 tensioner pulley-blade belt
 363169 tensioner pulley-trans. belt
 363220 transmission pulley
 363216 taperlock sheave-engine
 363168 idler pulley-wheeldrive belts
 363137 2-groove sheave
 363378 raised pulley-blade spindle

Front Caster Bearings

before serial # 32300

363012 roller bearing
 363011 end cap

after serial # 32300

423200 bearing
 423201 bearing retainer

WB36K13

Engine

13hp Kawasaki FH381V-BS22

Blades

363291 18" blade
 363293 18" low lift blade
 523376 18" mulch blade
 523449 18" super hi-lift blade

Belts

363312 wheel drive belt
 363212 transmission belt
 363210 blade drive belt
 N/A RH blade belt

Tires

362048 drive wheel complete
 363186 drive tire (13x6.5x6)
 363189 rim w/ valvestem
 363311 front caster complete
 363260 front tire & tube

Brake

363176 6" brake band

Spindles

Serial # changeover 33333

<u>New Style</u>	<u>Description</u>	<u>Old Style</u>
363379	spindle assy comp.	362044
363380	housing	363053
363350	bearing	363350
583112	shaft	363058
583113	brg. Spacer tube	N/A
N/A	dust cap	363060
N/A	2 7/16" ret. ring	108506
N/A	1" ret. ring	108507

Transmission (Peerless, lifetime lubricated w/ bentonite grease)

<u>32 Spleen</u>	<u>Description</u>	<u>9 Spleen</u>	Serial # Changeover 27850
363180	transmission	363365	
362063	coupler w/ zerk	362086	
363051	shaft extension	363367	
108508	5/8" snapping	108508	
700-700-032	spec. #	700-700-079	

Throttle

363352 Serial # 28160 and above (coincides w/ new style handlebar w/ console)
 363268 Below serial # 28160

Choke

N/A

Wire Harness

<u>Old Style</u>	<u>Current/Replacement</u>	<u>Safety Module</u>
N/A	363371	363372

Electrical Components

363164 Blade Switch
 363208 OPC Switch
 363207 Transmission Switch
 603060 Run/Stop Switch

Torque Specs

65 ft-lbs blade bolt
 90 ft-lbs nut on top of spindle

Pulleys

363264 tensioner pulley-blade belt
 363169 tensioner pulley-trans. belt
 363220 transmission pulley
 363216 taperlock sheave-engine
 363168 idler pulley-wheeldrive belts
 363137 2-groove sheave
 363378 raised pulley-blade spindle

Front Caster Bearings

before serial # 32300

363012 roller bearing
 363011 end cap

after serial # 32300

423200 bearing
 423201 bearing retainer

WB36K15

Engine

15hp Kawasaki FH430V-BS22

Blades

363291 18" blade
 363293 18" low lift blade
 523376 18" mulch blade
 523449 18" super hi-lift blade

Belts

363312 wheel drive belt
 363212 transmission belt
 363210 blade drive belt
 N/A RH blade belt

Tires

362048 drive wheel complete
 363186 drive tire (13x6.5x6)
 363189 rim w/ valvestem
 363311 front caster complete
 363260 front tire & tube

Brake

363176 6" brake band

Spindles

Serial # changeover 33333

<u>New Style</u>	<u>Description</u>	<u>Old Style</u>
363379	spindle assy comp.	362044
363380	housing	363053
363350	bearing	363350
583112	shaft	363058
583113	brg. Spacer tube	N/A
N/A	dust cap	363060
N/A	2 7/16" ret. ring	108506
N/A	1" ret. ring	108507

Transmission (Peerless, lifetime lubricated w/ bentonite grease)

<u>32 Spleen</u>	<u>Description</u>	<u>9 Spleen</u>	Serial # Changeover 27850
363180	transmission	363365	
362063	coupler w/ zerk	362086	
363051	shaft extension	363367	
108508	5/8" snapping	108508	
700-700-032	spec. #	700-700-079	

Throttle

363352 Serial # 28160 and above (coincides w/ new style handlebar w/ console)
 363268 Below serial # 28160

Choke

N/A

Wire Harness

<u>Old Style</u>	<u>Current/Replacement</u>	<u>Safety Module</u>
N/A	363371	363372

Electrical Components

363164 Blade Switch
 363208 OPC Switch
 363207 Transmission Switch
 603060 Run/Stop Switch

Torque Specs

65 ft-lbs blade bolt
 90 ft-lbs nut on top of spindle

Pulleys

363264 tensioner pulley-blade belt
 363169 tensioner pulley-trans. belt
 363220 transmission pulley
 363216 taperlock sheave-engine
 363168 idler pulley-wheeldrive belts
 363137 2-groove sheave
 363378 raised pulley-blade spindle

Front Caster Bearings

before serial # 32300

363012 roller bearing
 363011 end cap

after serial # 32300

423200 bearing
 423201 bearing retainer

WB48K15

Engine

15hp Kawasaki FH430V-BS22

Blades

483035 16" blade
 483049 16" mulch blade
 483050 16" super hi-lift blade

Belts

363312 wheel drive belt
 363212 transmission belt
 483030 blade drive belt
 483031 RH blade belt

Tires

362048 drive wheel complete
 363186 drive tire (13x6.5x6)
 363189 rim w/ valvestem
 363311 front caster complete
 363260 front tire & tube

Brake

363176 6" brake band

Spindles

Serial # changeover 33333

<u>New Style</u>	<u>Description</u>	<u>Old Style</u>
363379	spindle assy comp.	362044
363380	housing	363053
363350	bearing	363350
583112	shaft	363058
583113	brg. Spacer tube	N/A
N/A	dust cap	363060
N/A	2 7/16" ret. ring	108506
N/A	1" ret. ring	108507

Transmission (Peerless, lifetime lubricated w/ bentonite grease)

<u>32 Spleen</u>	<u>Description</u>	<u>9 Spleen</u>	Serial # Changeover 27850
363180	transmission	363365	
362063	coupler w/ zerk	362086	
363051	shaft extension	363367	
108508	5/8" snapping	108508	
700-700-032	spec. #	700-700-079	

Throttle

363352 Serial # 28160 and above (coincides w/ new style handlebar w/ console)
 363268 Below serial # 28160

Choke

N/A

Wire Harness

<u>Old Style</u>	<u>Current/Replacement</u>	<u>Safety Module</u>
N/A	363371	363372

Electrical Components

363164 Blade Switch
 363208 OPC Switch
 363207 Transmission Switch
 603060 Run/Stop Switch

Torque Specs

65 ft-lbs blade bolt
 90 ft-lbs nut on top of spindle

Pulleys

363264 tensioner pulley-blade belt
 363169 tensioner pulley-trans. belt
 363220 transmission pulley
 363216 taperlock sheave-engine
 363168 idler pulley-wheeldrive belts
 363137 2-groove sheave
 363378 raised pulley-LH spindle
 363377 double pulley-center spindle
 583107 pulley-RH spindle

Front Caster Bearings

before serial # 32300

363012 roller bearing
 363011 end cap

after serial # 32300

423200 bearing
 423201 bearing retainer

WB48K17

Engine

17hp Kawasaki FH541V-BS22

Blades

483035 16" blade
 483049 16" mulch blade
 483050 16" super hi-lift blade

Belts

363312 wheel drive belt
 363212 transmission belt
 483030 blade drive belt
 483031 RH blade belt

Tires

362048 drive wheel complete
 363186 drive tire (13x6.5x6)
 363189 rim w/ valvestem
 363311 front caster complete
 363260 front tire & tube

Brake

363176 6" brake band

Spindles

Serial # changeover 33333

<u>New Style</u>	<u>Description</u>	<u>Old Style</u>
363379	spindle assy comp.	362044
363380	housing	363053
363350	bearing	363350
583112	shaft	363058
583113	brg. Spacer tube	N/A
N/A	dust cap	363060
N/A	2 7/16" ret. ring	108506
N/A	1" ret. ring	108507

Transmission (Peerless, lifetime lubricated w/ bentonite grease)

<u>32 Spleen</u>	<u>Description</u>	<u>9 Spleen</u>	Serial # Changeover 27850
363180	transmission	363365	
362063	coupler w/ zerk	362086	
363051	shaft extension	363367	
108508	5/8" snapping	108508	
700-700-032	spec. #	700-700-079	

Throttle

363352 Serial # 28160 and above (coincides w/ new style handlebar w/ console)
 363268 Below serial # 28160

Choke

N/A

Wire Harness

<u>Old Style</u>	<u>Current/Replacement</u>	<u>Safety Module</u>
N/A	363371	363372

Electrical Components

363164 Blade Switch
 363208 OPC Switch
 363207 Transmission Switch
 603060 Run/Stop Switch

Torque Specs

65 ft-lbs blade bolt
 90 ft-lbs nut on top of spindle

Pulleys

363264 tensioner pulley-blade belt
 363169 tensioner pulley-trans. belt
 363220 transmission pulley
 363216 taperlock sheave-engine
 363168 idler pulley-wheeldrive belts
 363137 2-groove sheave
 363378 raised pulley-LH spindle
 363377 double pulley-center spindle
 583107 pulley-RH spindle

Front Caster Bearings

before serial # 32300

363012 roller bearing
 363011 end cap

after serial # 32300

423200 bearing
 423201 bearing retainer

WB36K13H

Engine

13hp Kawasaki FH381V-BS22

Blades

363291 18" blade
 363293 18" low lift blade
 523376 18" mulch blade
 523449 18" super hi-lift blade

Belts

363212 transmission belt
 363210 blade drive belt
 N/A RH blade belt

Tires

452007 wheel/tire/hub assy
 453066 drive tire (16x6.5x8)
 453067 rim w/ valvestem
 363311 front caster complete
 363260 front tire & tube

Spindles

Serial # changeover 33333

<u>New Style</u>	<u>Description</u>	<u>Old Style</u>
363379	spindle assy comp.	362044
363380	housing	363053
363350	bearing	363350
583112	shaft	363058
583113	brg. Spacer tube	N/A
N/A	dust cap	363060
N/A	2 7/16" ret. ring	108506
N/A	1" ret. ring	108507

Transmission

453068 wheel motor (TD0230US250AAAJ) Seal Kit # 453154
 453166 hydro pump BDP-10A Seal Kit # 583514
 423361 hydro filter

Throttle

363352 Serial # 28160 and above (coincides w/ new style handlebar w/ console)
 363268 Below serial # 28160

Choke

N/A

Wire Harness

<u>Old Style</u>	<u>Current/Replacement</u>	<u>Safety Module</u>
N/A	453160	363372

Electrical Components

363164 Blade Switch
 363208 OPC Switch
 363164 Neutral Switch
 603060 Run/Stop Switch

Torque Specs

65 ft-lbs blade bolt
 90 ft-lbs nut on top of spindle
 175-200 ft-lbs wheel motor axle nut

Pulleys

363264 tensioner pulley-blade belt
 393004 tensioner pulley-pump belt
 453161 pump pulley
 363216 taperlock sheave-engine
 363378 raised pulley-blade spindle

Front Caster Bearings

before serial # 32300

363012 roller bearing
 363011 end cap

after serial # 32300

423200 bearing
 423201 bearing retainer

WB48K15H

Engine

15hp Kawasaki FH430V-BS22

Blades

483035 16" blade
 483049 16" mulch blade
 483050 16" super hi-lift blade

Belts

363212 transmission belt
 483030 blade drive belt
 483031 RH blade belt

Tires

452007 wheel/tire/hub assy
 453066 drive tire (16x6.5x8)
 453067 rim w/ valvestem
 363311 front caster complete
 363260 front tire & tube

Spindles

Serial # changeover 33333

<u>New Style</u>	<u>Description</u>	<u>Old Style</u>
363379	spindle assy comp.	362044
363380	housing	363053
363350	bearing	363350
583112	shaft	363058
583113	brg. Spacer tube	N/A
N/A	dust cap	363060
N/A	2 7/16" ret. ring	108506
N/A	1" ret. ring	108507

Transmission

453068 wheel motor (TD0230US250AAAJ) Seal Kit # 453154
 453166 hydro pump BDP-10A Seal Kit # 583514
 423361 hydro filter

Throttle

363352 Serial # 28160 and above (coincides w/ new style handlebar w/ console)
 363268 Below serial # 28160

Choke

N/A

Wire Harness

<u>Old Style</u>	<u>Current/Replacement</u>	<u>Safety Module</u>
N/A	453160	363372

Electrical Components

363164 Blade Switch
 363208 OPC Switch
 363164 Neutral Switch
 603060 Run/Stop Switch

Torque Specs

65 ft-lbs blade bolt
 90 ft-lbs nut on top of spindle
 175-200 ft-lbs wheel motor axle nut

Pulleys

363264 tensioner pulley-blade belt
 393004 tensioner pulley-pump belt
 453161 pump pulley
 363216 taperlock sheave-engine
 363378 raised pulley-LH spindle
 363377 double pulley-center spindle
 583107 pulley-RH spindle

Front Caster Bearings

before serial # 32300

363012 roller bearing
 363011 end cap

after serial # 32300

423200 bearing
 423201 bearing retainer

WB48K17H

Engine

17hp Kawasaki FH541V-BS22

Blades

483035 16" blade
 483049 16" mulch blade
 483050 16" super hi-lift blade

Belts

363212 transmission belt
 483030 blade drive belt
 483031 RH blade belt

Tires

452007 wheel/tire/hub assy
 453066 drive tire (16x6.5x8)
 453067 rim w/ valvestem
 363311 front caster complete
 363260 front tire & tube

Spindles

Serial # changeover 33333

<u>New Style</u>	<u>Description</u>	<u>Old Style</u>
363379	spindle assy comp.	362044
363380	housing	363053
363350	bearing	363350
583112	shaft	363058
583113	brg. Spacer tube	N/A
N/A	dust cap	363060
N/A	2 7/16" ret. ring	108506
N/A	1" ret. ring	108507

Transmission

453068 wheel motor (TD0230US250AAAJ) Seal Kit # 453154
 453166 hydro pump BDP-10A Seal Kit # 583514
 423361 hydro filter

Throttle

363352 Serial # 28160 and above (coincides w/ new style handlebar w/ console)
 363268 Below serial # 28160

Choke

N/A

Wire Harness

<u>Old Style</u>	<u>Current/Replacement</u>	<u>Safety Module</u>
N/A	453160	363372

Electrical Components

363164 Blade Switch
 363208 OPC Switch
 363164 Neutral Switch
 603060 Run/Stop Switch

Torque Specs

65 ft-lbs blade bolt
 90 ft-lbs nut on top of spindle
 175-200 ft-lbs wheel motor axle nut

Pulleys

363264 tensioner pulley-blade belt
 393004 tensioner pulley-pump belt
 453161 pump pulley
 363216 taperlock sheave-engine
 363378 raised pulley-LH spindle
 363377 double pulley-center spindle
 583107 pulley-RH spindle

Front Caster Bearings

before serial # 32300

363012 roller bearing
 363011 end cap

after serial # 32300

423200 bearing
 423201 bearing retainer

WB48K17ESH

Engine

17hp Kawasaki electric start FH541V-BS31

Blades

483035 16" blade
 483049 16" mulch blade
 483050 16" super hi-lift blade

Belts

363212 transmission belt
 483030 blade drive belt
 483031 RH blade belt

Tires

452007 wheel/tire/hub assy
 453066 drive tire (16x6.5x8)
 453067 rim w/ valvestem
 363311 front caster complete
 363260 front tire & tube

Spindles

Serial # changeover 33333

<u>New Style</u>	<u>Description</u>	<u>Old Style</u>
363379	spindle assy comp.	362044
363380	housing	363053
363350	bearing	363350
583112	shaft	363058
583113	brg. Spacer tube	N/A
N/A	dust cap	363060
N/A	2 7/16" ret. ring	108506
N/A	1" ret. ring	108507

Transmission

453068 wheel motor (TD0230US250AAAJ) Seal Kit # 453154
 453166 hydro pump BDP-10A Seal Kit # 583514
 423361 hydro filter

Throttle

363352 Serial # 28160 and above (coincides w/ new style handlebar w/ console)
 N/A Below serial # 28160

Choke

523037

Wire Harness

<u>Old Style</u>	<u>Current/Replacement</u>	<u>Safety Module</u>
N/A	363373	423030

Electrical Components

363164 Blade Switch
 363208 OPC Switch
 363164 Neutral Switch
 423027 Ignition Switch
 422150 Starter Relay

Torque Specs

65 ft-lbs blade bolt
 90 ft-lbs nut on top of spindle
 175-200 ft-lbs wheel motor axle nut

Pulleys

363264 tensioner pulley-blade belt
 393004 tensioner pulley-pump belt
 453161 pump pulley
 363216 taperlock sheave-engine
 363378 raised pulley-LH spindle
 363377 double pulley-center spindle
 583107 pulley-RH spindle

Front Caster Bearings

before serial # 32300

363012 roller bearing
 363011 end cap

after serial # 32300

423200 bearing
 423201 bearing retainer

F34B18

Engine

18hp Briggs & Stratton 31M777-0112

Blades

423029 14" blade
423014 14" low lift blade
423173 14" mulch blade
423210 14" super hi-lift blade
603035 20" blade
603055 20" mulch blade
603056 20" super hi-lift blade

Belts

353111 blade drive belt
353112 pump drive belt

Tires

353094 wheel/tire assy
353147 drive tire (18x7.5x8)
* * * * rear rim not serviced
363311 front caster complete
363260 front tire & tube (4.10/3.50-4)
* * * * front rim not serviced

Spindles

583106 spindle assy comp.
583111 housing
363350 bearing
583112 shaft
583113 brg. Spacer tube

Transmission

353127 RH EZT transaxle (Hydro-Gear Model # ZC-ACBB-2YLB-1EXA)
353128 LH EZT transaxle (Hydro-Gear Model # ZC-DCBB-2YLC-1EXA)

*** lifetime lubricated transaxles

Throttle

363352

Choke

N/A

Muffler

N/A

Wire Harness

353132

Clutch

423285

Electrical Components

423027 Ignition Switch
422150 Starter Relay
583423 Time Delay Module
583351 Relay
523034 Park Brake Switch
593041 Neutral Switch
523031 PTO Switch
353048 Seat Switch
523283 Hour Meter

Torque Specs

65 ft-lbs blade bolt
90 ft-lbs nut on top of spindle
50 ft-lbs clutch bolt

Pulleys

603070 RH spindle pulley
423262 LH spindle pulley
533114 tensioner pulley-blade drive belt
823351 pump tensioner pulley
353101 pump drive pulley

Front Caster Bearings

423200 bearing
423201 bearing retainer

Seat

353098 seat complete w/o tracks
593097 molded arm rest

F34K15

Engine

15hp Kawasaki electric FH430V-BS23R

Blades

423029	14" blade
423014	14" low lift blade
423173	14" mulch blade
423210	14" super hi-lift blade
603035	20" blade
603055	20" mulch blade
603056	20" super hi-lift blade

Belts

353111	blade drive belt
353112	pump drive belt

Tires

353094	wheel/tire assy
353147	drive tire (18x7.5x8)
* * * *	rear rim not serviced
363311	front caster complete
363260	front tire & tube (4.10/3.50-4)
* * * *	front rim not serviced

Spindles

583106	spindle assy comp.
583111	housing
363350	bearing
583112	shaft
583113	brg. Spacer tube

Transmission

353127	RH EZT transaxle (Hydro-Gear Model # ZC-ACBB-2YLB-1EXA)
353128	LH EZT transaxle (Hydro-Gear Model # ZC-DCBB-2YLC-1EXA)

*** lifetime lubricated transaxles

Throttle 363352

Choke 523037

Muffler 353183

Wire Harness 353132

Pigtail Harness 353180

Clutch 423285

Electrical Components

423027	Ignition Switch
422150	Starter Relay
583423	Time Delay Module
583351	Relay
523034	Park Brake Switch
593041	Neutral Switch
523031	PTO Switch
353048	Seat Switch
523283	Hour Meter

Torque Specs

65 ft-lbs	blade bolt
90 ft-lbs	nut on top of spindle
50 ft-lbs	clutch bolt

Pulleys

603070	RH spindle pulley
423262	LH spindle pulley
533114	tensioner pulley-blade drive belt
823351	pump tensioner pulley
353101	pump drive pulley

Front Caster Bearings

423200	bearing
423201	bearing retainer

Seat

353098	seat complete w/o tracks
593097	molded arm rest

F42B18

Engine

18hp Briggs & Stratton 31M777-0112

Blades

423029 14" blade
423014 14" low lift blade
423173 14" mulch blade
423210 14" super hi-lift blade

Belts

353114 blade drive belt
353112 pump drive belt

Tires

353126 wheel/tire assy
* * * * rear rim not serviced
363311 front caster complete
363260 front tire & tube (4.10/3.50-4)
* * * * front rim not serviced

Spindles

583106 spindle assy comp.
583111 housing
363350 bearing
583112 shaft
583113 brg. Spacer tube

Transmission

353127 RH EZT transaxle (Hydro-Gear Model # ZC-ACBB-2YLB-1EXA)
353128 LH EZT transaxle (Hydro-Gear Model # ZC-DCBB-2YLC-1EXA)

*** lifetime lubricated transaxles

Throttle 363352

Choke N/A

Muffler N/A

Wire Harness 353132

Clutch 423285

Electrical Components

423027 Ignition Switch
422150 Starter Relay
583423 Time Delay Module
583351 Relay
523034 Park Brake Switch
593041 Neutral Switch
523031 PTO Switch
353048 Seat Switch
523283 Hour Meter

Torque Specs

65 ft-lbs blade bolt
90 ft-lbs nut on top of spindle
50 ft-lbs clutch bolt

Pulleys

423262 spindle pulley
523329 stationary idler pulleys
533114 tensioner pulley-blade drive belt
823351 pump tensioner pulley
353101 pump drive pulley

Front Caster Bearings

423200 bearing
423201 bearing retainer

Seat

353098 seat complete w/o tracks
593097 molded arm rest

F42K17

Engine

17hp Kawasaki electric FH54V-BS31R

Blades

423029	14" blade
423014	14" low lift blade
423173	14" mulch blade
423210	14" super hi-lift blade

Belts

353114	blade drive belt
353112	pump drive belt

Tires

353126	wheel/tire assy
* * * *	rear rim not serviced
363311	front caster complete
363260	front tire & tube (4.10/3.50-4)
* * * *	front rim not serviced

Spindles

583106	spindle assy comp.
583111	housing
363350	bearing
583112	shaft
583113	brg. Spacer tube

Transmission

353127	RH EZT transaxle (Hydro-Gear Model # ZC-ACBB-2YLB-1EXA)
353128	LH EZT transaxle (Hydro-Gear Model # ZC-DCBB-2YLC-1EXA)

*** lifetime lubricated transaxles

Throttle 363352

Choke 523037

Muffler 353179

Wire Harness 353132

Pigtail Harness 353180

Clutch 423285

Electrical Components

423027	Ignition Switch
422150	Starter Relay
583423	Time Delay Module
583351	Relay
523034	Park Brake Switch
593041	Neutral Switch
523031	PTO Switch
353048	Seat Switch
523283	Hour Meter

Torque Specs

65 ft-lbs	blade bolt
90 ft-lbs	nut on top of spindle
50 ft-lbs	clutch bolt

Pulleys

423262	spindle pulley
523329	stationary idler pulleys
533114	tensioner pulley-blade drive belt
823351	pump tensioner pulley
353101	pump drive pulley

Front Caster Bearings

423200	bearing
423201	bearing retainer

Seat

353098	seat complete w/o tracks
593097	molded arm rest

F48B18

Engine

18hp Briggs & Stratton 31M777-0112

Blades

483035 16" blade
483049 16" mulch blade
483050 16" super hi-lift blade

Belts

353139 blade drive belt
353112 pump drive belt

Tires

353126 wheel/tire assy
* * * * rear rim not serviced
363311 front caster complete
363260 front tire & tube (4.10/3.50-4)
* * * * front rim not serviced

Spindles

583106 spindle assy comp.
583111 housing
363350 bearing
583112 shaft
583113 brg. Spacer tube

Transmission

353127 RH EZT transaxle (Hydro-Gear Model # ZC-ACBB-2YLB-1EXA)
353128 LH EZT transaxle (Hydro-Gear Model # ZC-DCBB-2YLC-1EXA)

*** lifetime lubricated transaxles

Throttle 363352

Choke N/A

Muffler N/A

Wire Harness 353132

Clutch 423285

Electrical Components

423027 Ignition Switch
422150 Starter Relay
583423 Time Delay Module
583351 Relay
523034 Park Brake Switch
593041 Neutral Switch
523031 PTO Switch
353048 Seat Switch
523283 Hour Meter

Torque Specs

65 ft-lbs blade bolt
90 ft-lbs nut on top of spindle
50 ft-lbs clutch bolt

Pulleys

483078 spindle pulley
523329 stationary idler pulleys
533114 tensioner pulley-blade drive belt
823351 pump tensioner pulley
353101 pump drive pulley

Front Caster Bearings

423200 bearing
423201 bearing retainer

Seat

353098 seat complete w/o tracks
593097 molded arm rest

F48K19

Engine

19hp Kawasaki electric FH601V-CS26R

Blades

483035 16" blade
483049 16" mulch blade
483050 16" super hi-lift blade

Belts

353139 blade drive belt
353112 pump drive belt

Tires

353126 wheel/tire assy
* * * * rear rim not serviced
363311 front caster complete
363260 front tire & tube (4.10/3.50-4)
* * * * front rim not serviced

Spindles

583106 spindle assy comp.
583111 housing
363350 bearing
583112 shaft
583113 brg. Spacer tube

Transmission

353127 RH EZT transaxle (Hydro-Gear Model # ZC-ACBB-2YLB-1EXA)
353128 LH EZT transaxle (Hydro-Gear Model # ZC-DCBB-2YLC-1EXA)

*** lifetime lubricated transaxles

Throttle 363352

Choke 523037

Muffler 353182

Wire Harness 353132

Pigtail Harness 353180

Clutch 423285

Electrical Components

423027 Ignition Switch
422150 Starter Relay
583423 Time Delay Module
583351 Relay
523034 Park Brake Switch
593041 Neutral Switch
523031 PTO Switch
353048 Seat Switch
523283 Hour Meter

Torque Specs

65 ft-lbs blade bolt
90 ft-lbs nut on top of spindle
50 ft-lbs clutch bolt

Pulleys

483078 spindle pulley
523329 stationary idler pulleys
533114 tensioner pulley-blade drive belt
823351 pump tensioner pulley
353101 pump drive pulley

Front Caster Bearings

423200 bearing
423201 bearing retainer

Seat

353098 seat complete w/o tracks
593097 molded arm rest

F48K17FC

Engine

17hp Kawasaki FH541V

Blades

483035 16" blade
483049 16" mulch blade
483050 16" super hi-lift blade

Belts

353139 blade drive belt
353112 pump drive belt

Tires

353126 wheel/tire ((18x9.5x8) assy
* * * * rear rim not serviced
363311 front caster complete
363260 front tire & tube (4.10/3.50-4)
* * * * front rim not serviced
423103 tail wheel complete

Spindles

583106 spindle assy comp.
583111 spindle housing
363350 bearing
583112 shaft
583113 bearing spacer tube

Throttle 853096
Choke 853097
Muffler 853091
Wire Harness 853064
Pigtail Harness 353180
Clutch 423285
Actuator 853101
Deck Lift Harness 583412

Torque Specs

65 ft-lbs blade bolt
90 ft-lbs nut on top of spindle
50 ft-lbs clutch bolt

Pulleys

853102 Deck drive pulley
483078 5.75 hex pulley
523329 Stationary idler
523328 Deck tension pulley
853124 Flat idler - 4"
823351 Pump tension pulley
533114 Tensioner deck drive

Front Caster Bearings

423200 bearing
423201 bearing retainer

Seat

853095 Seat w/arm rest

Electrical Components

423027 Ignition Switch
422150 Starter Relay
583423 Time Delay Module
583351 Relay
523034 Park Brake Switch
593041 Neutral Switch
523031 PTO Switch
353048 Seat Switch
523283 Hour Meter
853098 Deck Lift Switch

Transmission

853071 LH transaxle
853091 RH transaxle
853157 Hydro Filter ZT2800

34B18Z

Engine

18hp Briggs & Stratton 31M777-0112

Blades

423029	14" blade
423014	14" low lift blade
423173	14" mulch blade
423210	14" super hi-lift blade
603035	20" blade
603055	20" mulch blade
603056	20" super hi-lift blade

Belts

343018	blade drive belt
363210	deck drive belt
583385	pump drive belt

Tires

343111	wheel/tire assy
343112	drive tire (18x7.5x8)
343113	rim w/ valvestem
363311	front caster complete
363260	front tire & tube (4.10/3.50-4)
* * * *	front rim not serviced

Spindles

583106	spindle assy comp.
583111	housing
363350	bearing
583112	shaft
583113	brg. Spacer tube

Transmission

343120	RH IZT transaxle (Hydro-Gear 328-2400R) Seal Kit # 343152
343121	LH IZT transaxle (Hydro-Gear 328-2400L) Seal Kit # 343152

*** lifetime lubricated transaxles

Throttle 363352

Choke N/A

Muffler N/A

Wire Harness 343161

Safety Module N/A

Electrical Components

423027	Ignition Switch
422150	Starter Relay
583423	Time Delay Module
583351	Relay
523034	Park Brake Switch
823193	Neutral Switch
523031	PTO Switch
523030	Seat Switch
523283	Hour Meter

Clutch 343084

Torque Specs

65 ft-lbs	blade bolt
90 ft-lbs	nut on top of spindle
50 ft-lbs	clutch bolt

Pulleys

343126	jackshaft spindle pulley-top
483078	jackshaft spindle pulley-bottom
483078	RH spindle pulley
423262	LH spindle pulley
393004	tensioner pulley-deck drive belt
823351	tensioner pulley-blade drive belt
823351	pump tensioner pulley
343083	pump drive pulley

Front Caster Bearings

423200	bearing
423201	bearing retainer

Seat

423246	seat complete w/o tracks
583089	seat cushion
583090	back cushion
593097	molded arm rest

34K15Z

Engine

15hp Kawasaki FH430V-BS23

Blades

423029 14" blade
423014 14" low lift blade
423173 14" mulch blade
423210 14" super hi-lift blade
603035 20" blade
603055 20" mulch blade
603056 20" super hi-lift blade

Belts

343018 blade drive belt
363210 deck drive belt
583385 pump drive belt

Tires

343111 wheel/tire assy
343112 drive tire (18x7.5x8)
343113 rim w/ valvestem
363311 front caster complete
363260 front tire & tube (4.10/3.50-4)
* * * *
front rim not serviced

Spindles

583106 spindle assy comp.
583111 housing
363350 bearing
583112 shaft
583113 brg. Spacer tube

Transmission

343120 RH IZT transaxle (Hydro-Gear 328-2400R) **Seal Kit # 343152**
343121 LH IZT transaxle (Hydro-Gear 328-2400L) **Seal Kit # 343152**

*** lifetime lubricated transaxles

Throttle 363352

Choke N/A

Muffler 343019 (below s/n 48440)

Muffler 343162 (s/n 48440 and above)

Wire Harness 343077

Safety Module N/A

Electrical Components

423027 Ignition Switch
422150 Starter Relay
583423 Time Delay Module
583351 Relay
523034 Park Brake Switch
823193 Neutral Switch
523031 PTO Switch
523030 Seat Switch
523283 Hour Meter

Clutch 343084

Torque Specs

65 ft-lbs blade bolt
90 ft-lbs nut on top of spindle
50 ft-lbs clutch bolt

Pulleys

343126 jackshaft spindle pulley-top
483078 jackshaft spindle pulley-bottom
483078 RH spindle pulley
423262 LH spindle pulley
393004 tensioner pulley-deck drive belt
823351 tensioner pulley-blade drive belt
823351 pump tensioner pulley
343083 pump drive pulley

Front Caster Bearings

423200 bearing
423201 bearing retainer

Seat

423246 seat complete w/o tracks
583089 seat cushion
583090 back cushion
593097 molded arm rest

42B18Z

Engine

18hp Briggs & Stratton 31M777-0112

Blades

423029 14" blade
423173 14" mulch blade
423210 14" super hi-lift blade

Belts

423018 blade drive belt
423272 pump drive belt

Tires

823183 wheel/tire assy
823337 drive tire (20x10x10)
823336 rim w/ valvestem (10x6 offset)
823364 rim w/ valvestem (10x7 offset)
583007 bar lug tire (21x11x10)
423103 front caster complete

522160 front axle w/ bearings

Spindles

583106 spindle assy comp.
583111 housing
363350 bearing
583112 shaft
583113 brg. Spacer tube

Transmission

453153 wheel motor TD0195UR250AAAJ **Seal Kit # 453154**
423330 hydro pump BDP-10A-438 **Seal Kit # 583514**
423361 hydro filter

***synthetic hydro oil capacity approx. 2.7 qts.

Throttle 363352

Choke 423153

Wire Harness 423387

Safety Module 423030

Electrical Components

423027 Ignition Switch
422150 Starter Relay
523034 Park Brake Switch
593041 Neutral Switch
523031 PTO Switch
523030 Seat Switch
523283 Hour Meter

Clutch 423285

Torque Specs

65 ft-lbs blade bolt
90 ft-lbs nut on top of spindle
50 ft-lbs clutch bolt
175-200 ft-lbs wheel motor axle nut

Pulleys

423231 pump drive pulley
523328 tensioner pulley-pump belt
423177 pump pulley
533114 tensioner pulley-blade drive belt
523329 stationary idler pulley-deck
423262 pulley-blade spindle

Front Caster Bearings

423200 bearing
423201 bearing retainer

Brakes

422152 cam claw wldmt cw
422154 cam claw wldmt ccw
363155 OPC spring

Seat

423246 seat complete w/o tracks
583089 seat cushion
583090 back cushion
593097 molded arm rest

Muffler N/A

42K17Z

Engine

17hp Kawasaki electric FH541V-BS31

Blades

423029 14" blade
423173 14" mulch blade
423210 14" super hi-lift blade

Belts

423018 blade drive belt
423272 pump drive belt

Tires

823183 wheel/tire assy
823337 drive tire (20x10x10)
823336 rim w/ valvestem (10x6 offset)
823364 rim w/ valvestem (10x7 offset)
583007 bar lug tire (21x11x10)
423103 front caster complete

522160 front axle w/ bearings

Spindles

583106 spindle assy comp.
583111 housing
363350 bearing
583112 shaft
583113 brg. Spacer tube

Transmission

453153 wheel motor TD0195UR250AAJ **Seal Kit # 453154**
423330 hydro pump BDP-10A-438 **Seal Kit # 583514**
423361 hydro filter

***synthetic hydro oil capacity approx. 2.7 qts.

Throttle 363352

Choke 423153

Wire Harness 423351

Safety Module 423030

Electrical Components

423027 Ignition Switch
422150 Starter Relay
523034 Park Brake Switch
593041 Neutral Switch
523031 PTO Switch
523030 Seat Switch
523283 Hour Meter

Clutch 423285

Torque Specs

65 ft-lbs blade bolt
90 ft-lbs nut on top of spindle
50 ft-lbs clutch bolt
175-200 ft-lbs wheel motor axle nut

Pulleys

423231 pump drive pulley
523328 tensioner pulley-pump belt
423177 pump pulley
533114 tensioner pulley-blade drive belt
523329 stationary idler pulley-deck
423262 pulley-blade spindle

Front Caster Bearings

423200 bearing
423201 bearing retainer

Brakes

422110 ccw backplate - brake
422112 cw backplate - brake
423312 brake link
423310 brake drum
423276 brake shoe
423281 brake spring

Seat

423246 seat complete w/o tracks
583089 seat cushion
583090 back cushion
593097 molded arm rest

Muffler 423278

Gasket 423324

48K19Z

Engine

19hp Kawasaki electric FH601V-BS18

Blades

483035 16" blade
483049 16" mulch blade
483050 16" super hi-lift blade

Belts

483053 blade drive belt
533088 pump drive belt

Tires

823183 wheel/tire assy
823337 drive tire (20x10x10)
823336 rim w/ valvestem (10x6 offset)
823364 rim w/ valvestem (10x7 offset)
583007 bar lug tire (21x11x10)
423103 front caster complete

522160 front axle w/ bearings

Spindles

583106 spindle assy comp.
583111 housing
363350 bearing
583112 shaft
583113 brg. Spacer tube

Transmission

453153 wheel motor TD0195UR250AAJ **Seal Kit # 453154**
423330 hydro pump BDP-10A-438 **Seal Kit # 583514**
423361 hydro filter

***synthetic hydro oil capacity approx. 2.7 qts.

Throttle 363352

Choke 423153

Wire Harness 423351

Safety Module 423030

Electrical Components

423027 Ignition Switch
422150 Starter Relay
523034 Park Brake Switch
593041 Neutral Switch
523031 PTO Switch
523030 Seat Switch
523283 Hour Meter

Clutch 423285

Torque Specs

65 ft-lbs blade bolt
90 ft-lbs nut on top of spindle
50 ft-lbs clutch bolt
175-200 ft-lbs wheel motor axle nut

Pulleys

423231 pump drive pulley
523328 tensioner pulley-pump belt
423177 pump pulley
533114 tensioner pulley-blade drive belt
523329 stationary idler pulley-deck
483078 pulley-blade spindle

Front Caster Bearings

423200 bearing
423201 bearing retainer

Brakes

422110 ccw backplate - brake
422112 cw backplate - brake
423312 brake link
423310 brake drum
423276 brake shoe
423281 brake spring

Seat

423246 seat complete w/o tracks
583089 seat cushion
583090 back cushion
593097 molded arm rest

Muffler 483089

Gasket 483098

52K21Z

Engine

21hp Kawasaki electric FH641V-BS24

Blades

823004 18"blade
363293 18" low lift blade
823353 18" mulch blade
523449 18" super hi-lift blade

Belts

523472 blade drive belt
423272 pump drive belt

Tires

823183 wheel/tire assy
823337 drive tire (20x10x10)
823336 rim w/ valvestem (10x6 offset)
823364 rim w/ valvestem (10x7 offset)
583007 bar lug tire (21x11x10)
423103 front caster complete

522160 front axle w/ bearings

Spindles

583106 spindle assy comp.
583111 housing
363350 bearing
583112 shaft
583113 brg. Spacer tube

Transmission

453153 wheel motor TD0195UR250AAJ **Seal Kit # 453154**
423330 hydro pump BDP-10A-438 **Seal Kit # 583514**
423361 hydro filter

***synthetic hydro oil capacity approx. 2.7 qts.

Throttle 363352

Choke 423153

Wire Harness 423351

Safety Module 423030

Electrical Components

423027 Ignition Switch
422150 Starter Relay
523034 Park Brake Switch
593041 Neutral Switch
523031 PTO Switch
523030 Seat Switch
523283 Hour Meter

Clutch 423285

Torque Specs

65 ft-lbs blade bolt
90 ft-lbs nut on top of spindle
50 ft-lbs clutch bolt
175-200 ft-lbs wheel motor axle nut

Pulleys

423231 pump drive pulley
523328 tensioner pulley-pump belt
423177 pump pulley
533114 tensioner pulley-blade drive belt
373068 stationary idler pulley-deck
523496 pulley-blade spindle

Front Caster Bearings

423200 bearing
423201 bearing retainer

Brakes

422110 ccw backplate - brake
422112 cw backplate - brake
423312 brake link
423310 brake drum
423276 brake shoe
423281 brake spring

Seat

423246 seat complete w/o tracks
583089 seat cushion
583090 back cushion
593097 molded arm rest

Muffler 483089

Gasket 483098

60K25Z

Engine

25hp Kawasaki electric FH721V-CS25

Blades

603035 20"blade
 603055 20" mulch blade
 603056 20" super hi-lift blade

Belts

603068 blade drive belt
 423272 pump drive belt

Tires

823183 wheel/tire assy
 823337 drive tire (20x10x10)
 823336 rim w/ valvestem (10x6 offset)
 823364 rim w/ valvestem (10x7 offset)
 583007 bar lug tire (21x11x10)
 423103 front caster complete

 602026 front axle w/ bearings

Spindles

583106 spindle assy comp.
 583111 housing
 363350 bearing
 583112 shaft
 583113 brg. Spacer tube

Transmission

453153 wheel motor TD0195UR250AAAJ **Seal Kit # 453154**
 423330 hydro pump BDP-10A-438 **Seal Kit # 583514**
 423361 hydro filter

***synthetic hydro oil capacity approx. 2.7 qts.

Throttle 363352

Choke 423153

Wire Harness 423351

Safety Module 423030

Electrical Components

423027 Ignition Switch
 422150 Starter Relay
 523034 Park Brake Switch
 593041 Neutral Switch
 523031 PTO Switch
 523030 Seat Switch
 523283 Hour Meter

Clutch 603078

Torque Specs

65 ft-lbs blade bolt
 90 ft-lbs nut on top of spindle
 50 ft-lbs clutch bolt
 175-200 ft-lbs wheel motor axle nut

Pulleys

423231 pump drive pulley
 523328 tensioner pulley-pump belt
 423177 pump pulley
 533114 tensioner pulley-blade drive belt
 583162 stationary idler pulley-deck
 603070 pulley-blade spindle

Front Caster Bearings

423200 bearing
 423201 bearing retainer

Brakes

422110 ccw backplate - brake
 422112 cw backplate - brake
 423312 brake link
 423310 brake drum
 423276 brake shoe
 423281 brake spring

Seat

423246 seat complete w/o tracks
 583089 seat cushion
 583090 back cushion
 593097 molded arm rest

Muffler 483089

Gasket 483098

48B20X

Engine

20hp Briggs & Stratton 44H777-0118

Blades

483035 16" blade
483049 16" mulch blade
483050 16" super hi-lift blade

Belts

483053 blade drive belt
533088 pump drive belt

Tires

533091 wheel/tire assy
533092 drive tire (23x8.5X12)
533094 rim w/ valvestem
523280 front caster complete
123049 tire (13x5x6 front caster)

Spindles

583106 spindle assy comp.
583111 housing
363350 bearing
583112 shaft
583113 brg. Spacer tube

Transmission

583325 wheel motor TJ0230US080AAAJ **Seal Kit # 583520**
533079 hydro pump BDP-10A w/ RTN **Seal Kit # 533107**
423361 hydro filter

***synthetic hydro oil capacity approx. 2.7 qts.

Throttle 363352

Choke 423153

Wire Harness 423387

Safety Module 423030

Electrical Components

423027 Ignition Switch
422150 Starter Relay
523034 Park Brake Switch
593041 Neutral Switch
523031 PTO Switch
523030 Seat Switch
523283 Hour Meter

Clutch 423285

Torque Specs

65 ft-lbs blade bolt
90 ft-lbs nut on top of spindle
50 ft-lbs clutch bolt
175-200 ft-lbs wheel motor axle nut

Pulleys

423231 pump drive pulley
523328 tensioner pulley-pump belt
533052 pump pulley
533114 tensioner pulley-blade drive belt
523329 stationary idler pulley-deck
483078 pulley-blade spindle

Front Caster Bearings

533086 bearing

Brakes

592094 wheel hub-shoe brake
533032 drum brake link
423310 brake drum
423276 brake shoe
423281 brake spring

Seat

583077 seat complete w/ tracks
583089 seat cushion
583090 back cushion
593097 molded arm rest

Muffler 533115

48K19X

Engine

19hp Kawasaki electric FH601V-CS26

Blades

483035 16" blade
483049 16" mulch blade
483050 16" super hi-lift blade

Belts

483053 blade drive belt
533088 pump drive belt

Tires

533091 wheel/tire assy
533092 drive tire (23x8.5X12)
533094 rim w/ valvestem
523280 front caster complete
123049 tire (13x5x6 front caster)

Spindles

583106 spindle assy comp.
583111 housing
363350 bearing
583112 shaft
583113 brg. Spacer tube

Transmission

583325 wheel motor TJ0230US080AAAJ **Seal Kit # 583520**
533079 hydro pump BDP-10A w/ RTN **Seal Kit # 533107**
423361 hydro filter

***synthetic hydro oil capacity approx. 2.7 qts.

Throttle 363352

Choke 423153

Wire Harness 423351

Safety Module 423030

Electrical Components

423027 Ignition Switch
422150 Starter Relay
523034 Park Brake Switch
593041 Neutral Switch
523031 PTO Switch
523030 Seat Switch
523283 Hour Meter

Clutch 423285

Torque Specs

65 ft-lbs blade bolt
90 ft-lbs nut on top of spindle
50 ft-lbs clutch bolt
175-200 ft-lbs wheel motor axle nut

Pulleys

423231 pump drive pulley
523328 tensioner pulley-pump belt
533052 pump pulley
533114 tensioner pulley-blade drive belt
523329 stationary idler pulley-deck
483078 pulley-blade spindle

Front Caster Bearings

533086 bearing

Brakes

592094 wheel hub-shoe brake
533032 drum brake link
423310 brake drum
423276 brake shoe
423281 brake spring

Seat

583077 seat complete w/ tracks
583089 seat cushion
583090 back cushion
593097 molded arm rest

Muffler 533058

Gasket 483098

52B25X

Engine

25hp Briggs & Stratton 44N777-0114

Blades

823004 18"blade
363293 18" low lift blade
823353 18" mulch blade
523449 18" super hi-lift blade

Belts

523472 blade drive belt
533088 pump drive belt

Tires

533024 wheel/tire assy
533069 drive tire (23x9.5X12)
583058 rim w/ valvestem
523280 front caster complete
123049 tire (13x5x6 front caster)

Spindles

583106 spindle assy comp.
583111 housing
363350 bearing
583112 shaft
583113 brg. Spacer tube

Transmission

583325 wheel motor TJ0230US080AAAJ **Seal Kit # 583520**
533079 hydro pump BDP-10A w/ RTN **Seal Kit # 533107**
423361 hydro filter

***synthetic hydro oil capacity approx. 2.7 qts.

Throttle 363352

Choke 423153

Wire Harness 423387

Safety Module 423030

Electrical Components

423027 Ignition Switch
422150 Starter Relay
523034 Park Brake Switch
593041 Neutral Switch
523031 PTO Switch
523030 Seat Switch
523283 Hour Meter

Clutch 603078

Torque Specs

65 ft-lbs blade bolt
90 ft-lbs nut on top of spindle
50 ft-lbs clutch bolt
175-200 ft-lbs wheel motor axle nut

Pulleys

423231 pump drive pulley
523328 tensioner pulley-pump belt
533052 pump pulley
533114 tensioner pulley-blade drive belt
373068 stationary idler pulley-deck
523496 pulley-blade spindle

Front Caster Bearings

533086 bearing

Brakes

592094 wheel hub-shoe brake
533032 drum brake link
423310 brake drum
423276 brake shoe
423281 brake spring

Seat

583077 seat complete w/ tracks
583089 seat cushion
583090 back cushion
593097 molded arm rest

Muffler 533115

52K23X

Engine

23hp Kawasaki electric FH680V-CS28

Blades

823004 18"blade
363293 18" low lift blade
823353 18" mulch blade
523449 18" super hi-lift blade

Belts

523472 blade drive belt
533088 pump drive belt

Tires

533024 wheel/tire assy
533069 drive tire (23x9.5X12)
583058 rim w/ valvestem
523280 front caster complete
123049 tire (13x5x6 front caster)

Spindles

583106 spindle assy comp.
583111 housing
363350 bearing
583112 shaft
583113 brg. Spacer tube

Transmission

583325 wheel motor TJ0230US080AAAJ **Seal Kit # 583520**
533079 hydro pump BDP-10A w/ RTN **Seal Kit # 533107**
423361 hydro filter

***synthetic hydro oil capacity approx. 2.7 qts.

Throttle 363352

Choke 423153

Wire Harness 423351

Safety Module 423030

Electrical Components

423027 Ignition Switch
422150 Starter Relay
523034 Park Brake Switch
593041 Neutral Switch
523031 PTO Switch
523030 Seat Switch
523283 Hour Meter

Clutch 603078

Torque Specs

65 ft-lbs blade bolt
90 ft-lbs nut on top of spindle
50 ft-lbs clutch bolt
175-200 ft-lbs wheel motor axle nut

Pulleys

423231 pump drive pulley
523328 tensioner pulley-pump belt
533052 pump pulley
533114 tensioner pulley-blade drive belt
373068 stationary idler pulley-deck
523496 pulley-blade spindle

Front Caster Bearings

533086 bearing

Brakes

592094 wheel hub-shoe brake
533032 drum brake link
423310 brake drum
423276 brake shoe
423281 brake spring

Seat

583077 seat complete w/ tracks
583089 seat cushion
583090 back cushion
593097 molded arm rest

Muffler 533058

Gasket 483098

60B25X

Engine

25hp Briggs & Stratton 44N777-0114

Blades

603035 20"blade
603055 20" mulch blade
603056 20" super hi-lift blade

Belts

603068 blade drive belt
533088 pump drive belt

Tires

533024 wheel/tire assy
533069 drive tire (23x9.5X12)
583058 rim w/ valvestem
523280 front caster complete
123049 tire (13x5x6 front caster)

Spindles

583106 spindle assy comp.
583111 housing
363350 bearing
583112 shaft
583113 brg. Spacer tube

Transmission

583325 wheel motor TJ0230US080AAAJ **Seal Kit # 583520**
533079 hydro pump BDP-10A w/ RTN **Seal Kit # 533107**
423361 hydro filter

***synthetic hydro oil capacity approx. 2.7 qts.

Throttle 363352

Choke 423153

Wire Harness 423387

Safety Module 423030

Electrical Components

423027 Ignition Switch
422150 Starter Relay
523034 Park Brake Switch
593041 Neutral Switch
523031 PTO Switch
523030 Seat Switch
523283 Hour Meter

Clutch 603078

Torque Specs

65 ft-lbs blade bolt
90 ft-lbs nut on top of spindle
50 ft-lbs clutch bolt
175-200 ft-lbs wheel motor axle nut

Pulleys

423231 pump drive pulley
523328 tensioner pulley-pump belt
533052 pump pulley
533114 tensioner pulley-blade drive belt
583162 stationary idler pulley-deck
603070 pulley-blade spindle

Front Caster Bearings

533086 bearing

Brakes

592094 wheel hub-shoe brake
533032 drum brake link
423310 brake drum
423276 brake shoe
423281 brake spring

Seat

583077 seat complete w/ tracks
583089 seat cushion
583090 back cushion
593097 molded arm rest

Muffler 533115

60K25X

Engine

25hp Kawasaki electric FH721V-CS25

Blades

603035 20"blade
603055 20" mulch blade
603056 20" super hi-lift blade

Belts

603068 blade drive belt
533088 pump drive belt

Tires

533024 wheel/tire assy
533069 drive tire (23x9.5X12)
583058 rim w/ valvestem
523280 front caster complete
123049 tire (13x5x6 front caster)

Spindles

583106 spindle assy comp.
583111 housing
363350 bearing
583112 shaft
583113 brg. Spacer tube

Transmission

583325 wheel motor TJ0230US080AAAJ **Seal Kit # 583520**
533079 hydro pump BDP-10A w/ RTN **Seal Kit # 533107**
423361 hydro filter

***synthetic hydro oil capacity approx. 2.7 qts.

Throttle 363352

Choke 423153

Wire Harness 423351

Safety Module 423030

Electrical Components

423027 Ignition Switch
422150 Starter Relay
523034 Park Brake Switch
593041 Neutral Switch
523031 PTO Switch
523030 Seat Switch
523283 Hour Meter

Clutch 603078

Torque Specs

65 ft-lbs blade bolt
90 ft-lbs nut on top of spindle
50 ft-lbs clutch bolt
175-200 ft-lbs wheel motor axle nut

Pulleys

423231 pump drive pulley
523328 tensioner pulley-pump belt
533052 pump pulley
533114 tensioner pulley-blade drive belt
583162 stationary idler pulley-deck
603070 pulley-blade spindle

Front Caster Bearings

533086 bearing

Brakes

592094 wheel hub-shoe brake
533032 drum brake link
423310 brake drum
423276 brake shoe
423281 brake spring

Seat

583077 seat complete w/ tracks
583089 seat cushion
583090 back cushion
593097 molded arm rest

Muffler 533058

Gasket 483098

52K23A

Engine

23hp Kawasaki (A/C) FH680D-AS07

Blades

823004 18" blade
 363293 18" low lift blade
 823353 18" mulch blade
 523449 18" super hi-lift blade

Belts

823243 blade drive belt
 583385 pump drive belt
 823267 clutch belt

Tires

583055 wheel/tire assy
 583059 drive tire (24x12x12)
 583058 rim w/ valvestem
 N/A knobby tire assy
 N/A knobby tire
 583487 bar lug tire (23x10.5x12)
 823220 front caster complete
 823339 tire (13x6.5x6 front caster)
 823338 front rim w/ valvestem

Spindles

583106 spindle assy comp.
 583111 housing
 363350 bearing
 583112 shaft
 583113 brg. Spacer tube

Transmission

583325 wheel motor TJ0230US080AAAJ **Seal Kit # 583520**
 583491 hydro pump BDP-10A **Seal Kit # 583514**
 583087 gearbox (model 200M)
 423361 hydro filter

PTO shaft

593064 complete shaft
 583481 yoke tube
 593075 yoke shaft
 523414 1" yoke
 823372 3/4" yoke
 523415 cross bearing
 583080 1" power shaft (8.5")

Engine Base

582043

Throttle

593043

Choke

593044

Muffler

593282

Muffler Gasket

483098

Clutch

823165

Torque Specs

65 ft-lbs blade bolt
 90 ft-lbs nut on top of spindle
 50 ft-lbs clutch bolt
 250-300 ft-lbs wheel motor axle nut

Pulleys

483025 tensioner pulley-clutch
 823351 tensioner pulley-pump belt
 523329 tensioner pulley-blade drive belt
 583382 pump pulley
 583107 pulley-blade spindle
 523329 stationary idler pulley
 363216 gearbox pulley
 523096 pulley-power shaft
 583200 pump drive pulley

Front Caster Bearings

363187 1" flange bearing

Brakes

583038 RH brake caliper
 583039 LH brake caliper
 583511 brake pad kit

Seat

583519 full suspension seat
 583077 seat complete w/ tracks
 583089 seat cushion
 583090 back cushion
 593097 molded arm rest

Electrical Components

593050 wire harness
 423030 safety module
 583495 engine wire harness
 423027 igniton switch
 422150 starter relay
 523034 park brake switch
 593041 neutral switch
 523031 PTO switch
 523030 seat switch
 523283 hour meter
 823194 alarm

52K25A

Engine

25hp Kawasaki (A/C) FH721D-AS07

Blades

823004 18" blade
363293 18" low lift blade
823353 18" mulch blade
523449 18" super hi-lift blade

Belts

823243 blade drive belt
583385 pump drive belt
823267 clutch belt

Tires

583055 wheel/tire assy
583059 drive tire (24x12x12)
583058 rim w/ valvestem
N/A knobby tire assy
N/A knobby tire
583487 bar lug tire (23x10.5x12)
823220 front caster complete
823339 tire (13x6.5x6 front caster)
823338 front rim w/ valvestem

Spindles

583106 spindle assy comp.
583111 housing
363350 bearing
583112 shaft
583113 brg. Spacer tube

Transmission

583325 wheel motor TJ0230US080AAAJ **Seal Kit # 583520**
583491 hydro pump BDP-10A **Seal Kit # 583514**
593307 gearbox (model 200M)
423361 hydro filter

PTO shaft

593064 complete shaft
583481 yoke tube
593075 yoke shaft
523414 1" yoke
823372 3/4" yoke
523415 cross bearing
583080 1" power shaft (8.5")

Engine Base

Throttle

Choke

Muffler

Muffler Gasket

Clutch

Torque Specs

65 ft-lbs blade bolt
90 ft-lbs nut on top of spindle
50 ft-lbs clutch bolt
250-300 ft-lbs wheel motor axle nut

Pulleys

483025 tensioner pulley-clutch
823351 tensioner pulley-pump belt
523329 tensioner pulley-blade drive belt
583382 pump pulley
583107 pulley-blade spindle
523329 stationary idler pulley
363216 gearbox pulley
523096 pulley-power shaft
583200 pump drive pulley

Front Caster Bearings

363187 1" flange bearing

Brakes

583038 RH brake caliper
583039 LH brake caliper
583511 brake pad kit

Seat

583519 full suspension seat
583077 seat complete w/ tracks
583089 seat cushion
583090 back cushion
593097 molded arm rest

Electrical Components

593050 wire harness
423030 safety module
583495 engine wire harness
423027 igniton switch
422150 starter relay
523034 park brake switch
593041 neutral switch
523031 PTO switch
523030 seat switch
523283 hour meter
823194 alarm

52K27L

Engine

27hp Kawasaki (LC) FD750D-AS00

Blades

823004 18" blade
363293 18" low lift blade
823353 18" mulch blade
523449 18" super hi-lift blade

Belts

823243 blade drive belt
583385 pump drive belt
583517 clutch belt

Tires

583055 wheel/tire assy
583059 drive tire (24x12x12)
583058 rim w/ valvestem
N/A knobby tire assy
N/A knobby tire
583487 bar lug tire (23x10.5x12)
823220 front caster complete
823339 tire (13x6.5x6 front caster)
823338 front rim w/ valvestem

Spindles

583106 spindle assy comp.
583111 housing
363350 bearing
583112 shaft
583113 brg. Spacer tube

Transmission

583325 wheel motor TJ0230US080AAAJ **Seal Kit # 583520**
583491 hydro pump BDP-10A **Seal Kit # 583514**
593307 gearbox (model 200M)
423361 hydro filter

PTO shaft

593064 complete shaft
583481 yoke tube
593075 yoke shaft
523414 1" yoke
823372 3/4" yoke
523415 cross bearing
583080 1" power shaft (8.5")

Engine Base

Throttle

582043

Choke

593043

Muffler

593044

Muffler Gasket

593123 (s/n 48102 & above)

Clutch

593213

583518

Torque Specs

65 ft-lbs blade bolt
90 ft-lbs nut on top of spindle
50 ft-lbs clutch bolt
250-300 ft-lbs wheel motor axle nut

Pulleys

483025 tensioner pulley-clutch
823351 tensioner pulley-pump belt
523329 tensioner pulley-blade drive belt
583382 pump pulley
583107 pulley-blade spindle
523329 stationary idler pulley
363216 gearbox pulley
363216 pulley-power shaft
583217 pump drive pulley

Front Caster Bearings

363187 1" flange bearing

Brakes

583038 RH brake caliper
583039 LH brake caliper
583511 brake pad kit

Seat

583519 full suspension seat
583077 seat complete w/ tracks
583089 seat cushion
583090 back cushion
593097 molded arm rest

Electrical Components

593049 wire harness
423030 safety module
N/A engine wire harness
423027 igniton switch
422150 starter relay
523034 park brake switch
593041 neutral switch
523031 PTO switch
523030 seat switch
523283 hour meter
823194 alarm

61K25A

Engine

25hp Kawasaki (A/C) FH721D-AS07

Blades

823006 21" blade
823354 21" mulch blade

Belts

823242 blade drive belt
583385 pump drive belt
823267 clutch belt

Tires

583055 wheel/tire assy
583059 drive tire (24x12x12)
583058 rim w/ valvestem
N/A knobby tire assy
N/A knobby tire
583487 bar lug tire (23x10.5x12)
823220 front caster complete
823339 tire (13x6.5x6 front caster)
823338 front rim w/ valvestem

Spindles

583106 spindle assy comp.
583111 housing
363350 bearing
583112 shaft
583113 brg. Spacer tube

Transmission

583325 wheel motor TJ0230US080AAAJ **Seal Kit # 583520**
583491 hydro pump BDP-10A **Seal Kit # 583514**
593307 gearbox (model 200M)
423361 hydro filter

PTO shaft

593064 complete shaft
583481 yoke tube
593075 yoke shaft
523414 1" yoke
823372 3/4" yoke
523415 cross bearing
583080 1" power shaft (8.5")

Engine Base

582043

Throttle

593043

Choke

593044

Muffler

593282

Muffler Gasket

483098

Clutch

823165

Torque Specs

65 ft-lbs blade bolt
90 ft-lbs nut on top of spindle
50 ft-lbs clutch bolt
250-300 ft-lbs wheel motor axle nut

Pulleys

483025 tensioner pulley-clutch
823351 tensioner pulley-pump belt
523329 tensioner pulley-blade drive belt
583382 pump pulley
583107 pulley-blade spindle
523329 stationary idler pulley
593201 gearbox pulley
523096 pulley-power shaft
583200 pump drive pulley

Front Caster Bearings

363187 1" flange bearing

Brakes

583038 RH brake caliper
583039 LH brake caliper
583511 brake pad kit

Seat

583519 full suspension seat
583077 seat complete w/ tracks
583089 seat cushion
583090 back cushion
593097 molded arm rest

Electrical Components

593050 wire harness
423030 safety module
583495 engine wire harness
423027 igniton switch
422150 starter relay
523034 park brake switch
593041 neutral switch
523031 PTO switch
523030 seat switch
523283 hour meter
823194 alarm

61K27L

Engine

27hp Kawasaki (LC) FD750D-AS00

Blades

823006 21" blade
823354 21" mulch blade

Belts

823242 blade drive belt
583385 pump drive belt
583517 clutch belt

Tires

583055 wheel/tire assy
583059 drive tire (24x12x12)
583058 rim w/ valvestem
N/A knobby tire assy
N/A knobby tire
583487 bar lug tire (23x10.5x12)
823220 front caster complete
823339 tire (13x6.5x6 front caster)
823338 front rim w/ valvestem

Spindles

583106 spindle assy comp.
583111 housing
363350 bearing
583112 shaft
583113 brg. Spacer tube

Transmission

583325 wheel motor TJ0230US080AAAJ **Seal Kit # 583520**
583491 hydro pump BDP-10A **Seal Kit # 583514**
593307 gearbox (model 200M)
423361 hydro filter

PTO shaft

593064 complete shaft
583481 yoke tube
593075 yoke shaft
523414 1" yoke
823372 3/4" yoke
523415 cross bearing
583080 1" power shaft (8.5")

Engine Base

582043

Throttle

593043

Choke

593044

Muffler

593123 (s/n 48102 & above)

Muffler Gasket

593213

Clutch

583518

Torque Specs

65 ft-lbs blade bolt
90 ft-lbs nut on top of spindle
50 ft-lbs clutch bolt
250-300 ft-lbs wheel motor axle nut

Pulleys

483025 tensioner pulley-clutch
823351 tensioner pulley-pump belt
523329 tensioner pulley-blade drive belt
583382 pump pulley
583107 pulley-blade spindle
523329 stationary idler pulley
593201 gearbox pulley
363216 pulley-power shaft
583217 pump drive pulley

Front Caster Bearings

363187 1" flange bearing

Brakes

583038 RH brake caliper
583039 LH brake caliper
583511 brake pad kit

Seat

583519 full suspension seat
583077 seat complete w/ tracks
583089 seat cushion
583090 back cushion
593097 molded arm rest

Electrical Components

593049 wire harness
423030 safety module
N/A engine wire harness
423027 igniton switch
422150 starter relay
523034 park brake switch
593041 neutral switch
523031 PTO switch
523030 seat switch
523283 hour meter
823194 alarm

61K28A

Engine

28hp Kawasaki (A/C) FH770D-AS04

Blades

823006 21" blade
823354 21" mulch blade

Belts

823242 blade drive belt
583385 pump drive belt
823267 clutch belt

Tires

583055 wheel/tire assy
583059 drive tire (24x12x12)
583058 rim w/ valvestem
N/A knobby tire assy
N/A knobby tire
583487 bar lug tire (23x10.5x12)
823220 front caster complete
823339 tire (13x6.5x6 front caster)
823338 front rim w/ valvestem

Spindles

583106 spindle assy comp.
583111 housing
363350 bearing
583112 shaft
583113 brg. Spacer tube

Transmission

583325 wheel motor TJ0230US080AAAJ **Seal Kit # 583520**
583491 hydro pump BDP-10A **Seal Kit # 583514**
593307 gearbox (model 200M)
423361 hydro filter

PTO shaft

593064 complete shaft
583481 yoke tube
593075 yoke shaft
523414 1" yoke
823372 3/4" yoke
523415 cross bearing
583080 1" power shaft (8.5")

Engine Base

Throttle

Choke

Muffler

Muffler Gasket

Clutch

Torque Specs

65 ft-lbs blade bolt
90 ft-lbs nut on top of spindle
50 ft-lbs clutch bolt
250-300 ft-lbs wheel motor axle nut

Pulleys

483025 tensioner pulley-clutch
823351 tensioner pulley-pump belt
523329 tensioner pulley-blade drive belt
583382 pump pulley
583107 pulley-blade spindle
523329 stationary idler pulley
593201 gearbox pulley
523096 pulley-power shaft
583200 pump drive pulley

Front Caster Bearings

363187 1" flange bearing

Brakes

583038 RH brake caliper
583039 LH brake caliper
583511 brake pad kit

Seat

583519 full suspension seat
583077 seat complete w/ tracks
583089 seat cushion
583090 back cushion
593097 molded arm rest

Electrical Components

593050 wire harness
423030 safety module
583495 engine wire harness
423027 igniton switch
422150 starter relay
523034 park brake switch
593041 neutral switch
523031 PTO switch
523030 seat switch
523283 hour meter
823194 alarm

61B27LDML

Engine

26.5hp Briggs & Stratton Daihatsu diesel 582447-0219

Blades

823006 21" blade
823354 21" mulch blade

Belts

823242 blade drive belt
593219 pump drive belt
523374 clutch belt

Tires

583055 wheel/tire assy
583059 drive tire (24x12x12)
583058 rim w/ valvestem
N/A knobby tire assy
N/A knobby tire
583487 bar lug tire (23x10.5x12)
823220 front caster complete
823339 tire (13x6.5x6 front caster)
823338 front rim w/ valvestem

Spindles

583106 spindle assy comp.
583111 housing
363350 bearing
583112 shaft
583113 brg. Spacer tube

Transmission

593211 wheel motor TL0280US080AAWM **Seal Kit # 593217**
593210 hydro pump H1A14A4021DDAAA **Seal Kit # 593215**
593307 gearbox (model 200M)
423361 hydro filter

PTO shaft

593064 complete shaft
583481 yoke tube
593075 yoke shaft
523414 1" yoke
823372 3/4" yoke
523415 cross bearing
583271 1" power shaft (12.5")

Engine Base

582165

Throttle

593045

Choke

N/A

Muffler

Briggs & Stratton Daihatsu

Muffler Gasket

N/A

Clutch

583308

Torque Specs

65 ft-lbs blade bolt
90 ft-lbs nut on top of spindle
50 ft-lbs clutch bolt
250-300 ft-lbs wheel motor axle nut

Pulleys

483025 tensioner pulley-clutch
823351 tensioner pulley-pump belt
523329 tensioner pulley-blade drive belt
523507 pump pulley
583107 pulley-blade spindle
523329 stationary idler pulley
593201 gearbox pulley
523507 pulley-power shaft
583200 pump drive pulley

Front Caster Bearings

363187 1" flange bearing

Brakes

583038 RH brake caliper
583039 LH brake caliper
583511 brake pad kit

Seat

583519 full suspension seat
583077 seat complete w/ tracks
583089 seat cushion
583090 back cushion
593097 molded arm rest

Electrical Components

593051 wire harness
N/A safety module
583276 engine wire harness
583423 time delay module
523042 relay
423027 ignition switch
N/A starter relay
523034 park brake switch
593041 neutral switch
523031 PTO switch
523030 seat switch
523283 hour meter
823194 alarm

72K27L

Engine

27hp Kawasaki (LC) FD750D-AS00

Blades

583287 25" offset blade

Belts

583153 blade drive belt

583385 pump drive belt

583517 clutch belt

Tires

583055 wheel/tire assy

583059 drive tire (24x12x12)

583058 rim w/ valvestem

N/A knobby tire assy

N/A knobby tire

583487 bar lug tire (23x10.5x12)

823220 front caster complete

823339 tire (13x6.5x6 front caster)

823338 front rim w/ valvestem

Spindles

583106 spindle assy comp.

583111 housing

363350 bearing

583112 shaft

583113 brg. Spacer tube

Transmission

583325 wheel motor TJ0230US080AAAJ **Seal Kit # 583520**

583491 hydro pump BDP-10A **Seal Kit # 583514**

583166 gearbox (model 211)

583513 gasket/shim kit - gearbox

583512 shaft seal kit - gearbox

423361 hydro filter

PTO shaft

593064 complete shaft

583481 yoke tube

593075 yoke shaft

523414 1" yoke

823372 3/4" yoke

523415 cross bearing

583080 1" power shaft (8.5")

Engine Base

582043

Throttle

593043

Choke

593044

Muffler

593123 (s/n 48102 & above)

Muffler Gasket

593213

Clutch

583518

Torque Specs

65 ft-lbs blade bolt

90 ft-lbs nut on top of spindle

50 ft-lbs clutch bolt

250-300 ft-lbs wheel motor axle nut

Pulleys

483025 tensioner pulley-clutch

823351 tensioner pulley-pump belt

523329 tensioner pulley-blade drive belt

583382 pump pulley

583107 pulley-blade spindle

583162 stationary idler pulley-back

373068 stationary idler pulley-front

583447 gearbox pulley

363216 pulley-power shaft

583217 pump drive pulley

Front Caster Bearings

363187 1" flange bearing

Brakes

583038 RH brake caliper

583039 LH brake caliper

583511 brake pad kit

Seat

583519 full suspension seat

583077 seat complete w/ tracks

583089 seat cushion

583090 back cushion

593097 molded arm rest

Electrical Components

593049 wire harness

423030 safety module

N/A engine wire harness

423027 igniton switch

422150 starter relay

523034 park brake switch

593041 neutral switch

523031 PTO switch

523030 seat switch

523283 hour meter

823194 alarm

72B27LDML

Engine

26.5hp Briggs & Stratton Daihatsu diesel 582447-0219

Blades

583287 25" offset blade

Belts

583153 blade drive belt
593219 pump drive belt
523374 clutch belt

Tires

583055 wheel/tire assy
583059 drive tire (24x12x12)
583058 rim w/ valvestem
N/A knobby tire assy
N/A knobby tire
583487 bar lug tire (23x10.5x12)
823220 front caster complete
823339 tire (13x6.5x6 front caster)
823338 front rim w/ valvestem

Spindles

583106 spindle assy comp.
583111 housing
363350 bearing
583112 shaft
583113 brg. Spacer tube

Transmission

593211 wheel motor TL0280US080AAWM **Seal Kit # 593217**
593210 hydro pump H1A14A4021DDAAA **Seal Kit # 593215**
583166 gearbox (model 211)
583513 gasket/shim kit - gearbox
583512 shaft seal kit - gearbox
423361 hydro filter

PTO shaft

593064 complete shaft
583481 yoke tube
593075 yoke shaft
523414 1" yoke
823372 3/4" yoke
523415 cross bearing
583271 1" power shaft (12.5")

Engine Base

Throttle

582165

593045

Choke

N/A

Muffler

Briggs & Stratton Daihatsu

Muffler Gasket

N/A

Clutch

583308

Torque Specs

65 ft-lbs blade bolt
90 ft-lbs nut on top of spindle
50 ft-lbs clutch bolt
250-300 ft-lbs wheel motor axle nut

Pulleys

483025 tensioner pulley-clutch
823351 tensioner pulley-pump belt
523329 tensioner pulley-blade drive belt
523507 pump pulley
583107 pulley-blade spindle
583162 stationary idler pulley-back
373068 stationary idler pulley-front
583447 gearbox pulley
523507 pulley-power shaft
583200 pump drive pulley

Front Caster Bearings

363187 1" flange bearing

Brakes

583038 RH brake caliper
583039 LH brake caliper
583511 brake pad kit

Seat

583519 full suspension seat
583077 seat complete w/ tracks
583089 seat cushion
583090 back cushion
593097 molded arm rest

Electrical Components

593051 wire harness
N/A safety module
583276 engine wire harness
583423 time delay module
523042 relay
423027 igniton switch
N/A starter relay
523034 park brake switch
593041 neutral switch
523031 PTO switch
523030 seat switch
523283 hour meter
823194 alarm

72K28A

Engine

28hp Kawasaki (A/C) FH770D-AS04

Blades

583287 25" offset blade

Belts

583153 blade drive belt

583385 pump drive belt

823267 clutch belt

Tires

583055 wheel/tire assy

583059 drive tire (24x12x12)

583058 rim w/ valvestem

N/A knobby tire assy

N/A knobby tire

583487 bar lug tire (23x10.5x12)

823220 front caster complete

823339 tire (13x6.5x6 front caster)

823338 front rim w/ valvestem

Spindles

583106 spindle assy comp.

583111 housing

363350 bearing

583112 shaft

583113 brg. Spacer tube

Transmission

583325 wheel motor TJ0230US080AAAJ **Seal Kit # 583520**

583491 hydro pump BDP-10A **Seal Kit # 583514**

583166 gearbox (model 211)

583513 gasket/shim kit - gearbox

583512 shaft seal kit - gearbox

423361 hydro filter

PTO shaft

593064 complete shaft

583481 yoke tube

593075 yoke shaft

523414 1" yoke

823372 3/4" yoke

523415 cross bearing

583080 1" power shaft (8.5")

Engine Base

582043

Throttle

593043

Choke

593044

Muffler

593282

Muffler Gasket

483098

Clutch

823165

Torque Specs

65 ft-lbs blade bolt

90 ft-lbs nut on top of spindle

50 ft-lbs clutch bolt

250-300 ft-lbs wheel motor axle nut

Pulleys

483025 tensioner pulley-clutch

823351 tensioner pulley-pump belt

523329 tensioner pulley-blade drive belt

583382 pump pulley

583107 pulley-blade spindle

583162 stationary idler pulley-back

373068 stationary idler pulley-front

583447 gearbox pulley

523096 pulley-power shaft

583200 pump drive pulley

Front Caster Bearings

363187 1" flange bearing

Brakes

583038 RH brake caliper

583039 LH brake caliper

583511 brake pad kit

Seat

583519 full suspension seat

583077 seat complete w/ tracks

583089 seat cushion

583090 back cushion

593097 molded arm rest

Electrical Components

593050 wire harness

423030 safety module

583495 engine wire harness

423027 igniton switch

422150 starter relay

523034 park brake switch

593041 neutral switch

523031 PTO switch

523030 seat switch

523283 hour meter

823194 alarm

K700PFC

Engine

23hp Kawasaki (A/C) FH680D-AS07

Belts

823243	blade drive belt 52"
823242	blade drive belt 61"
583153	blade drive belt 72"
823026	pump drive belt
823267	clutch belt

Tires

823183	wheel/tire assy
823337	drive tire (20x10x10)
823336	rim w/ valvestem (10x6 offset)
583007	bar lug tire (21x11x10)
823364	rim w/ valvestem (10x7 offset)
423103	front caster complete

Spindles

583106	spindle assy comp.
583111	housing
363350	bearing
583112	shaft
583113	brg. Spacer tube

Transmission

453068	wheel motor (TD0230US250AAAJ)
453087	hydro pump BDP-10L
593307	52" or 61" FC deck - gearbox (model 200M)
583166	72" FC deck - gearbox (model 211)
583513	gasket/shim kit - gearbox 72"
583512	shaft seal kit - gearbox 72"
423361	hydro filter

PTO shaft

583172	complete shaft
583481	yoke tube
823370	yoke shaft
523414	1" yoke
823372	3/4" yoke
523415	cross bearing
823028	1" power shaft (20.56")

Engine Base

Throttle

Choke

Clutch

Muffler

Muffler Gasket

Torque Specs

65 ft-lbs	blade bolt
90 ft-lbs	nut on top of spindle
50 ft-lbs	clutch bolt
175-200 ft-lbs	wheel motor axle nut

Pulleys

483025	tensioner pulley-clutch
823351	tensioner pulley-pump belt
523329	tensioner pulley-blade drive belt
583107	pulley-blade spindle
823306	pump pulley
523096	pulley-power shaft
823306	pump drive pulley

Frontcut Tailwheels

single tailwheel	
823220	wheel/tire assy
823339	tire (13x6.5x6)
823338	rim w/ valvestem
double tailwheel	
523280	wheel/tire assy
123049	tire (13x5x6)

Front Caster Bearings

423200	bearing
423201	bearing retainer

Brakes

423082	wheel hub w/ sprckt
422082	RH brake claw
422084	LH brake claw

Seal Kit # 453154

Seal Kit # 453146

Electrical Components

823122	wire harness
423030	safety module
583495	engine wire harness
423027	igniton switch
422150	starter relay
523034	park brake switch
823193	neutral switch
523031	PTO switch
523030	seat switch
523283	hour meter
823194	alarm

Seat

583519	full suspension seat
583077	seat complete w/ tracks
583089	seat cushion
583090	back cushion
593097	molded arm rest

K800PFC

Engine

25hp Kawasaki (A/C) FH721D-AS07

Belts

823243	blade drive belt 52"
823242	blade drive belt 61"
583153	blade drive belt 72"
823026	pump drive belt
823267	clutch belt

Tires

823183	wheel/tire assy
823337	drive tire (20x10x10)
823336	rim w/ valvestem (10x6 offset)
583007	bar lug tire (21x11x10)
823364	rim w/ valvestem (10x7 offset)
423103	front caster complete

Spindles

583106	spindle assy comp.
583111	housing
363350	bearing
583112	shaft
583113	brg. Spacer tube

Transmission

453068	wheel motor (TD0230US250AAAJ)
453087	hydro pump BDP-10L
453166	hydro pump BDP-10A (s/n 47238)
593307	52" or 61" FC deck - gearbox (model 200M)
583166	72" FC deck - gearbox (model 211)
583513	gasket/shim kit - gearbox 72"
583512	shaft seal kit - gearbox 72"
423361	hydro filter

PTO shaft

583172	complete shaft
583481	yoke tube
823370	yoke shaft
523414	1" yoke
823372	3/4" yoke
523415	cross bearing
823028	1" power shaft (20.56")

Engine Base

Throttle

Choke

Clutch

Muffler

Muffler Gasket

Torque Specs

65 ft-lbs	blade bolt
90 ft-lbs	nut on top of spindle
50 ft-lbs	clutch bolt
175-200 ft-lbs	wheel motor axle nut

Pulleys

483025	tensioner pulley-clutch
823351	tensioner pulley-pump belt
523329	tensioner pulley-blade drive belt
583107	pulley-blade spindle
823306	pump pulley
523096	pulley-power shaft
823306	pump drive pulley

Frontcut Tailwheels

single tailwheel

823220	wheel/tire assy
823339	tire (13x6.5x6)
823338	rim w/ valvestem

double tailwheel

523280	wheel/tire assy
123049	tire (13x5x6)

Front Caster Bearings

423200	bearing
423201	bearing retainer

Brakes

422110	ccw backplate - brake
422112	cw backplate - brake
423312	brake link
423310	brake drum
423276	brake shoe
423281	brake spring

Seal Kit # 453154

Seal Kit # 453146

Seal Kit # 583514

Electrical Components

823122	wire harness
423030	safety module
583495	engine wire harness
423027	igniton switch
422150	starter relay
523034	park brake switch
823193	neutral switch
523031	PTO switch
523030	seat switch
523283	hour meter
823194	alarm

Seat

583519	full suspension seat
583077	seat complete w/ tracks
583089	seat cushion
583090	back cushion
593097	molded arm rest

K850PFC

Engine

27hp Kawasaki (LC) FD750D-AS11

Belts

823243 blade drive belt 52"
823242 blade drive belt 61"
583153 blade drive belt 72"
583385 pump drive belt
583517 clutch belt

Tires

823183 wheel/tire assy
823337 drive tire (20x10x10)
823336 rim w/ valvestem (10x6 offset)
583007 bar lug tire (21x11x10)
823364 rim w/ valvestem (10x7 offset)
423103 front caster complete

Spindles

583106 spindle assy comp.
583111 housing
363350 bearing
583112 shaft
583113 brg. Spacer tube

Transmission

453068 wheel motor (TD0230US250AAAJ)
453087 hydro pump BDP-10L
453166 hydro pump BDP-10A (s/n 47238)
593307 52" or 61" FC deck - gearbox (model 200M)
583166 72" FC deck - gearbox (model 211)
583513 gasket/shim kit - gearbox 72"
583512 shaft seal kit - gearbox 72"
423361 hydro filter

PTO shaft

583172 complete shaft
583481 yoke tube
823370 yoke shaft
523414 1" yoke
823372 3/4" yoke
523415 cross bearing
823028 1" power shaft (20.56")

Engine Base

Throttle

Choke

Clutch

Muffler

Muffler Gasket

Torque Specs

65 ft-lbs blade bolt
90 ft-lbs nut on top of spindle
50 ft-lbs clutch bolt
175-200 ft-lbs wheel motor axle nut

Pulleys

483025 tensioner pulley-clutch
823351 tensioner pulley-pump belt
523329 tensioner pulley-blade drive belt
583107 pulley-blade spindle
423177 pump pulley
363216 pulley-power shaft
583217 pump drive pulley

Frontcut Tailwheels

single tailwheel

823220 wheel/tire assy
823339 tire (13x6.5x6)
823338 rim w/ valvestem

double tailwheel

523280 wheel/tire assy
123049 tire (13x5x6)

Front Caster Bearings

423200 bearing
423201 bearing retainer

Brakes

422110 ccw backplate - brake
422112 cw backplate - brake
423312 brake link
423310 brake drum
423276 brake shoe
423281 brake spring

Seal Kit # 453154

Seal Kit # 453146

Seal Kit # 583514

Electrical Components

583492 wire harness
N/A safety module
N/A engine wire harness
423027 ignition switch
422150 starter relay
523034 park brake switch
823193 neutral switch
523031 PTO switch
523030 seat switch
523283 hour meter
823194 alarm

Seat

583519 full suspension seat
583077 seat complete w/ tracks
583089 seat cushion
583090 back cushion
593097 molded arm rest

K900PFC

Engine

28hp Kawasaki (A/C) FH770D-AS04

Belts

823243 blade drive belt 52"
823242 blade drive belt 61"
583153 blade drive belt 72"
823026 pump drive belt
823267 clutch belt

Tires

823183 wheel/tire assy
823337 drive tire (20x10x10)
823364 rim w/ valvestem (10x7 offset)
583007 bar lug tire (21x11x10)
423103 front caster complete

Spindles

583106 spindle assy comp.
583111 housing
363350 bearing
583112 shaft
583113 brg. Spacer tube

Transmission

453068 wheel motor (TD0230US250AAAJ)
453166 hydro pump BDP-10A (s/n 47238)
593307 52" or 61" FC deck - gearbox (model 200M)
583166 72" FC deck - gearbox (model 211)
583513 gasket/shim kit - gearbox 72"
583512 shaft seal kit - gearbox 72"
423361 hydro filter

PTO shaft

583172 complete shaft
583481 yoke tube
823370 yoke shaft
523414 1" yoke
823372 3/4" yoke
523415 cross bearing
823028 1" power shaft (20.56")

Engine Base

Throttle

Choke

Clutch

Muffler

Muffler Gasket

Torque Specs

65 ft-lbs blade bolt
90 ft-lbs nut on top of spindle
50 ft-lbs clutch bolt
175-200 ft-lbs wheel motor axle nut

Pulleys

483025 tensioner pulley-clutch
823351 tensioner pulley-pump belt
523329 tensioner pulley-blade drive belt
583107 pulley-blade spindle
823306 pump pulley
523096 pulley-power shaft
823306 pump drive pulley

Frontcut Tailwheels

single tailwheel

823220 wheel/tire assy
823339 tire (13x6.5x6)
823338 rim w/ valvestem
double tailwheel
523280 wheel/tire assy
123049 tire (13x5x6)

Front Caster Bearings

423200 bearing
423201 bearing retainer

Brakes

422110 ccw backplate - brake
422112 cw backplate - brake
423312 brake link
423310 brake drum
423276 brake shoe
423281 brake spring

Seal Kit # 453154

Seal Kit # 583514

Electrical Components

823122 wire harness
423030 safety module
583495 engine wire harness
423027 ignition switch
422150 starter relay
523034 park brake switch
823193 neutral switch
523031 PTO switch
523030 seat switch
523283 hour meter
823194 alarm

Seat

583519 full suspension seat
583077 seat complete w/ tracks
583089 seat cushion
583090 back cushion
593097 molded arm rest

B850PFC

Engine

26.5hp Briggs & Stratton Daihatsu diesel 582447-0219

Belts

823243 blade drive belt 52"
823242 blade drive belt 61"
583153 blade drive belt 72"
583466 pump drive belt
523374 clutch belt

Tires

823183 wheel/tire assy
823337 drive tire (20x10x10)
823336 rim w/ valvestem (10x6 offset)
583007 bar lug tire (21x11x10)
823364 rim w/ valvestem (10x7 offset)
423103 front caster complete

Spindles

583106 spindle assy comp.
583111 housing
363350 bearing
583112 shaft
583113 brg. Spacer tube

Transmission

453068 wheel motor (TD0230US250AAAJ)
453087 hydro pump BDP-10L
453166 hydro pump BDP-10A (s/n 47238)
593307 52" or 61" FC deck - gearbox (model 200M)
583166 72" FC deck - gearbox (model 211)
583513 gasket/shim kit - gearbox 72"
583512 shaft seal kit - gearbox 72"
423361 hydro filter

PTO shaft

583172 complete shaft
583481 yoke tube
823370 yoke shaft
523414 1" yoke
823372 3/4" yoke
523415 cross bearing
583084 1" power shaft (24")

Engine Base

582192

Throttle

583057

Choke

N/A

Muffler

Briggs & Stratton Daihatsu

Muffler Gasket

N/A

Clutch

583308

Torque Specs

65 ft-lbs blade bolt
90 ft-lbs nut on top of spindle
50 ft-lbs clutch bolt
175-200 ft-lbs wheel motor axle nut

Pulleys

483025 tensioner pulley-clutch
823351 tensioner pulley-pump belt
523329 tensioner pulley-blade drive belt
583107 pulley-blade spindle
423177 pump pulley
523507 pulley-power shaft
583465 pump drive pulley

Frontcut Tailwheels

single tailwheel
823220 wheel/tire assy
823339 tire (13x6.5x6)
823338 rim w/ valvestem
double tailwheel
523280 wheel/tire assy
123049 tire (13x5x6)

Front Caster Bearings

423200 bearing
423201 bearing retainer

Brakes

422110 ccw backplate - brake
422112 cw backplate - brake
423312 brake link
423310 brake drum
423276 brake shoe
423281 brake spring

Seal Kit # 453154

Seal Kit # 453146

Seal Kit # 583514

Electrical Components

583275 wire harness
N/A safety module
583276 engine wire harness
583423 time delay module
523042 relay
423027 ignition switch
N/A starter relay
523034 park brake switch
823193 neutral switch
523031 PTO switch
523030 seat switch
523283 hour meter
823194 alarm

Seat

583519 full suspension seat
583077 seat complete w/ tracks
583089 seat cushion
583090 back cushion
593097 molded arm rest

B950PFC

Engine

31hp Briggs & Stratton Daihatsu gas 580447-0218

Belts

823243	blade drive belt 52"
823242	blade drive belt 61"
583153	blade drive belt 72"
583466	pump drive belt
523374	clutch belt

Tires

823183	wheel/tire assy
823337	drive tire (20x10x10)
823336	rim w/ valvestem (10x6 offset)
583007	bar lug tire (21x11x10)
823364	rim w/ valvestem (10x7 offset)
423103	front caster complete

Spindles

583106	spindle assy comp.
583111	housing
363350	bearing
583112	shaft
583113	brg. Spacer tube

Transmission

453068	wheel motor (TD0230US250AAAJ)
453087	hydro pump BDP-10L
453166	hydro pump BDP-10A (s/n 47238)
593307	52" or 61" FC deck - gearbox (model 200M)
583166	72" FC deck - gearbox (model 211)
583513	gasket/shim kit - gearbox 72"
583512	shaft seal kit - gearbox 72"
423361	hydro filter

PTO shaft

583172	complete shaft
583481	yoke tube
823370	yoke shaft
523414	1" yoke
823372	3/4" yoke
523415	cross bearing
583084	1" power shaft (24")

Engine Base

582194

Throttle

583057

Choke

583161

Muffler

Briggs & Stratton Daihatsu

Muffler Gasket

N/A

Clutch

583308

Torque Specs

65 ft-lbs	blade bolt
90 ft-lbs	nut on top of spindle
50 ft-lbs	clutch bolt
175-200 ft-lbs	wheel motor axle nut

Pulleys

483025	tensioner pulley-clutch
823351	tensioner pulley-pump belt
523329	tensioner pulley-blade drive belt
583107	pulley-blade spindle
423177	pump pulley
523507	pulley-power shaft
583465	pump drive pulley

Frontcut Tailwheels

single tailwheel

823220	wheel/tire assy
823339	tire (13x6.5x6)
823338	rim w/ valvestem

double tailwheel

523280	wheel/tire assy
123049	tire (13x5x6)

Front Caster Bearings

423200	bearing
423201	bearing retainer

Brakes

422110	ccw backplate - brake
422112	cw backplate - brake
423312	brake link
423310	brake drum
423276	brake shoe
423281	brake spring

Seal Kit # 453154

Seal Kit # 453146

Seal Kit # 583514

Electrical Components

583318	wire harness
N/A	safety module
583319	engine wire harness
583423	time delay module
523042	relay
423027	igniton switch
N/A	starter relay
523034	park brake switch
823193	neutral switch
523031	PTO switch
523030	seat switch
523283	hour meter
823194	alarm

Seat

583519	full suspension seat
583077	seat complete w/ tracks
583089	seat cushion
583090	back cushion
593097	molded arm rest

Notes

Notes

Notes

