



***Serving Mining, Construction and
Industrial Markets Since 1904***

- ***Supplies***
 - ***Manufacturing***
 - ***Service***
 - ***Equipment***

Supplier and Product Catalogue

www.logancorp.com



• **Charleston**

**3000 Sissonville Drive
Charleston, West Virginia 25312
Phone: (304) 343-8801
Toll Free: 1-800-340-8801
Fax: (304) 343-8817**

• **Clarksburg**

**212 N Ohio Avenue
Clarksburg, West Virginia 25301
Phone: (304) 623-5670
Toll Free: 1-800-473-0110
Fax: (304) 623-5676**

• **Huntington**

**555 7th Avenue
Huntington, West Virginia 25701
Phone: (304) 526-4715
Toll Free: 1-800-669-1967
Fax: (304) 526-4777**

• **Middlesboro**

**US Route 25 East
Middlesboro, Kentucky 40965
Phone: (606) 248-2054
Toll Free: 1-800-442-0134
Fax: (606) 248-2082**

• **Prestonsburg**

**US 321 North
Prestonsburg, Kentucky 41653
Phone: (606) 886-8123
Toll Free: 1-800-844-8123
Fax: (606) 886-8627**

• **Valley Air, Inc.**

**3000 Edens Fork Road
Clarksburg, West Virginia 25312
Phone: (304) 345-2851
Toll Free: 1-800-435-9959
Fax: (304) 345-2856**

www.logancorp.com
www.noncomplex.com

Supplies



Manufacturing



Service



Equipment



A

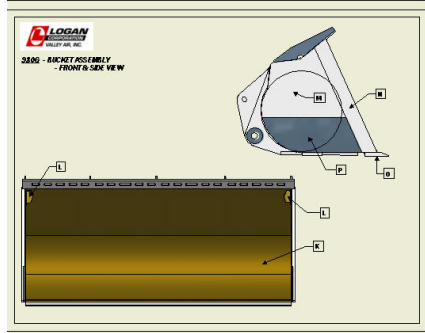
ABRASITEK - Hardwear
ABRASIVES - Arrow, Edmar, Republic Standard, United Abrasive
ABSORBENT - American Engineering Fabrics, Eagle, Spill Tech
ADAPTERS - Dixon, ESCO, Bucyrus
ADHESIVES & SEALANTS - CRC, Devcon, Loctite
AFTERCOOLERS - Pneumatech
AGITATORS - Graco
AIR ACCESSORIES - Airtek, Alemite, American Lubrication, Curtis-Toledo, Kent, Sullair
AIR COMPRESSORS - Airtek, Champion, Curtis-Toledo, Sullair
AIR DRYERS - Curtis-Toledo, Hankinson, Henderson, Pneumatech, Sullair
AIR HAMMERS - American Pneumatic, Kent, Sullair
AIR TOOL BITS - Kent, Sullair, Vulcan
AIR TOOLS - American Pneumatic, Kent, Sullair
ASPHALT ROLLERS - Multiquip, Stone, Stow, Terex, Wacker
AUGERS (EARTH) - McLaughlin
AXES - Ames, Council
BACKHOES - Terex



BANDSAWS - DeWalt
BARS - Bowdil, Warwood
BASINS - Zoeller
BATTERIES (LANTERN, SHOT) - Bright Star
BEAMS (FORKLIFT) - Caldwell
BEARINGS - Rexnord, Screw Conveyor
BEARINGS (CONVEYOR) - Screw Conveyor

BEARINGS - Rexnord
BELT FASTENERS - FLEXCO, Huck
BELT REPAIR KITS - FLEXCO
BELT SPLICES - FLEXCO
BELT WIPERS - Hewitt-Robins
BELTS (SANDING) - Arrow, United Abrasives

BIT SETS - Armstrong, DeWalt
BITS (AIR TOOL) - Kent, Sullair, Vulcan
BITS (DIAMOND CORE) - Diamond Products
BITS (MINER) - Fansteel
BITS (ROCK) - Brunner & Lay, Vulcan
BITS (ROTARY DRILL) - Smith, Varel
BITS (ROTARY HAMMER) - DeWalt
BITS (STEEL TOOTH) - Varel
BITS (TRI-CONE) - Smith
BITS (TUNGSTEN CARBIDE) - Smith, Varel
BITS (WOOD BORING) - DeWalt
BLADES (BAND SAW) - DeWalt, Diamond Products, Diamond Saw Works, Edmar, Everett, Master, Republic, Rule, Sandvik, United Abrasives, Wagman
BLADES (DOZER, GRADER, SNOW PLOW) - Bucyrus
BLANKETS (EROSION CONTROL) - BonTerra, Carthage Mills
BLAST MEDIA - Church & Dwight
BLASTERS (PORTABLE) - Schmidt
BLOCKS - Crosby
BOLTS - Huck, Pohl
BONDS (CROSS, RAIL) - Pohl
BOOMS (FORKLIFT) - Caldwell
BOOTS - CAB, Iron Age
BORING EQUIPMENT (EARTH) - McLaughlin
BOWL LINERS - Logan Corporation



BOXES - Lyon
BRAKE FLUID - Radiator Specialty
BREAKERS (PAVING) - Kent, Stone, Wacker
BRUSH CHIPPERS - FMC
BRUSHES - Johnston, Milwaukee, Republic, Standard, United Abrasives
BUCKETS - ESCO, USA Attachments, Geith



BUCKETS (ELEVATOR) - FMC, Maxi-Lift, Screw Conveyor, Webster
BULBS - General Electric
BURRS (CARBIDE) - Boro Park
BUSHINGS - Martin

C

CABLE (ELECTRIC) - General Electric, ITT-Royal
CABINETS - Armstrong, Eagle, Larsen's, Lyon
CABLE - Dixon, Leschen, MacWhyte,
CABLE ACCESSORIES (TROLLEY) - Phoenix
CANS - Eagle
CANVAS - Service Canvas
CAR PULLERS - Aldon, FMC, Stephens-Adamson
CAR SHAKERS - Aldon, Hewitt-Robins
CAR SPOTTERS, MOVERS - Aldon
CAR STOPS - Aldon

CASTERS & WHEELS - FMC, Hamilton

CHAIN (ALLOY) - Acco, Campbell, Columbus McKinnon, Crosby, Laclede, Turner & Seymour

CHAIN (CABLE HANDLING) - Victor

CHAIN (CONVEYOR) - Diamond

CHAIN (DRAGLINE) - ESCO

CHAIN (ELEVATOR) - Screw Conveyor

CHAIN (ENGINEERING) - Moline, Rexnord, Union, Zurcher

CHAIN (FEEDER-BREAKER) - Rexnord

CHAIN (HIGH TEST) - Acco, Campbell, Columbus McKinnon, Crosby, Laclede, Turner & Seymour

CHAIN (MANGANESE) - Zurcher

CHAIN (PROOF COIL) - Acco, Campbell, Columbus McKinnon, Crosby, Laclede, Turner & Seymour

CHAIN (RIVETLESS) - Rexnord, Union, Zurcher

CHAIN (ROLLER) - Diamond, Rexnord, Sapphire

CHAIN (SHUTTLE CAR) - Rexnord,

CHAIN (WASH BOX) - Rexnord, Zurcher

CHALK - Irwin, Keson

CHEMICAL ABSORBENT - Eagle-Picher, Spill Tech

CHIPPERS (BRUSH) - FMC

CHIPPING HAMMERS - American Pneumatic, Kent, Sullair

CHISELS - Bowdil

CIRCUIT BREAKERS - General Electric,

CLAMPS - Dixon, Phoenix, Punch-Lok,

CLAMSHELL BUCKETS - Anvil

CLEANER (CONTACT, HAND) - Bel-Ray, CRC

CLIPS - Crosby, LaCleda

CLUTCHES - Falk

COATINGS (PROTECTIVE) - Crown Rust-Oleum

COLLARS - Huck

COMPACTOR ROLLERS - Bomag, Wacker

COMPACTORS - Bomag, Multiquip, Stone, Stow, Wacker

COMPOUND (TOOL) - Bel-Ray

COMPRESSOR PARTS - Airtek, Champion, Curtis-Toledo, Sullair

COMPRESSOR RENTAL - Sullair



COMPRESSORS (ELECTRIC, GAS & DIESEL) - Airtek, Champion, Curtis-Toledo, Sullair

COMPRESSORS (PORTABLE) - Champion, Sullair

COMPRESSORS (RECIPROCATING) - Airtek, Champion, Curtis-Toledo, Sullair

CONCRETE CONVEYORS - Screw Conveyor

CONCRETE FINISHING MACHINES & BLADES - Multiquip, Stone, Stow, Terex, Wacker

CONCRETE MIXERS - Multiquip, Stone, Stow

CONCRETE PRIMER - Devcon

CONCRETE POWER SCREEDS - Stone, Stow

CONCRETE SAWS & BLADES - Edmar, Everett, Multiquip, Stone, Stow, United Abrasives, Wacker

CONCRETE VIBRATORS - Multiquip, Stone, Stow, Wacker, Wyco

CONDITIONER - Phoenix,

CONDUIT HOSE - Dayco, Lawrence

CONNECTING LINKS - Columbus McKinnon, Rud

CONNECTORS - Phoenix, Rud, Ohio Brass

CONTACT CLEANER - CRC

CONVEYOR IDLERS - FMC, Hewitt-Robins

CONVEYORS (BULK FLOW) - FMC, Screw Conveyor

COUPLINGS (BOSS) - Dixon

CONVEYORS (SCREW) - FMC, Martin Sprocket, Screw Conveyor

COOLANT - ATW, Sullair

COOLERS - Rubbermaid

COUPLERS - American Lubrication, Dixon, Enerpac

COUPLINGS (BRASS) - LDM Products, Red Head

COUPLINGS (CHAIN) - Martin Sprocket, Rexnord

COUPLINGS (FLEXIBLE) - Falk, Martin Sprocket, Rexnord, Wood's, Zurn

COUPLINGS (FLUID) - Falk, Rexnord Voith

COUPLINGS (GEAR) - Falk, Rexnord, Zurn

COUPLINGS - Falk, Morris

CRANES - Duff-Norton, David Round

CRANES (JIB OR GANTRY) - Spanco

CRUSHERS (CONE, IMPACT, JAW) - Terex/Pegson

CUTTERS - Benner-Nawman, Morse Starrett, Partner, Rigid, Vaughn

CUTTERS (COBALT) - Universal Drilling

CUTTING EDGES - Bucyrus, ESCO, GETCO, Logan

CYLINDERS - Enerpac, Simplex

D

DEGREASERS - CRC, Loctite

DERAILS - Aldon

DETOUR LIGHTS - Terex

DIESEL ENGINES - Perkins



DIES - National Twist Drill, Republic

DIGITAL WEIGHT INDICATORS - Newall

DRILL BITS - Brunner & Lay,
Sandvik

DRILL STEEL - Brunner & Lay,
Fansteel, Logan, Parmanco,
Vulcan



DRILLS - DeWalt, National Twist
Drill

DRIVES - Falk, Rexnord, Wood's

DOLLIES - Wesco

E

ELEVATOR BUCKETS & PARTS -

FMC, Maxi-Lift, Screw Conveyor

EPOXY - Devcon

EXCAVATORS - Terex

EXTINGUISHERS - Ansul

F

FABRIC (EROSION CONTROL) -
Colonial

FASTENING SYSTEMS - Huck

FASTENERS - FLEXCO, Huck

FEEDER-BREAKER CHAIN - Rexnord,
Union

FEEDERS - FMC, Strongwell

FENCE (PLASTIC) - Colonial, Edmar,
Interstate, Tenax

FENDERS - Logan

FIBERGLASS RODS - Morrison
Molded Fiber,

FILES - Warrensville

FILTERS (AIR LINE) - Alemite,
American Lubrication, Dixon,
Pneumatech, Sullair

FINISHERS (CONCRETE) - Stone,
Terex, Wacker

FIRE EXTINGUISHERS - Ansul

FIRE EXTINGUISHING

CHEMICALS -

Ansul

FIRE HOSE - Dayco, BF Goodrich,
Snap-Tite

FIRE SUPPRESSION SYSTEMS -
Ansul

FITTINGS (WIRE ROPE) -
Campbell, Columbus McKinnon,
Crosby, Leschen, MacWhyte

FLANGES - Martin

FLIGHT BARS (LONGWALL) -

Columbus McKinnon, Rud

FLOOD LIGHTS (PORTABLE) -
Wacker,

FLOOR DRY - Eagle-Picher

FLOOR PATCH - Devcon

FLUID (HYDRAULIC) - Bel-Ray,
Citgo

FOAM - Keystone

FROGS (TROLLEY LINE) -

Phoenix, Ohio Brass

FUNNELS - Eagle

FUSE HOLDERS - Phoenix

G

GABIONS - Interstate Construction

GASKET REMOVER - CRC

GAUGES - American Lubrication,
Dixon, Enerpac

GEAR MOTORS - Falk, Rexnord

GEAR REDUCERS - Falk, Rexnord

GLOVES - Burnham, Ergotech,

Wells Lamont, West Chester

GENERATORS - Honda, Multiquip,
Terex, Wacker, Winco

GRADERS - Terex

GREASE - Bel-Ray, Citgo, Mobil



GREASE FITTINGS - Alemite,
American Lubrication, Eagle,
Lincoln,

GROUND ENGAGING TOOLS -
Bucyrus, ESCO, GETCO

H

HAMMER (HYDRAULIC) - BTI,
Kent, Terex

HAMMERDRILLS - DeWalt

HAMMERS & SLEDGES - Ames,
Channellock, Council, Sweets,
Warwood

HAND PUMPS (HYDRAULIC) -
Duff-Norton, Enerpac, Simplex

HANDRAILS - Logan Non-Complex
Renewal Parts



HAND TOOLS - Ames, Armstrong,
Channellock, Cooper, Council,
Ridge Tools, Starrett, Sweets,

HANDLES - Ames

HANGERS (MINE) - CAB, Phoenix,

HARPS - Phoenix,

HEATERS (KEROSENE) -

Master, Stone

HEATERS (L.P. GAS) - Master,
Stone

HEATERS (SPACE) - Master

HEATING EQUIPMENT -

Master

HINGES - Lawrence

HITCHES - Wallace Forge

HOIST ACCESSORIES - Caldwell,
Duff-Norton, Harrington, David
Round, Yale

HOISTS (CHAIN) - Duff-Norton,
Ingersoll-Rand, Yale

HOISTS (ELECTRIC) - Duff-Norton,
Ingersoll-Rand, David Round, Yale

HOISTS (WIRE ROPE) - Duff -
Norton, David Round, Wyeth-
Scott, Yale

HOOKS (CHAIN) - Acco, Campbell, Columbus McKinnon, Crosby, Laclede

HOOKS (TROLLEY) - CAB, Phoenix,

HOOKS (WIRE ROPE) - Columbus McKinnon, Crosby, Laclede

HOPPERS - McCullough

HOSE (AIR) - Lawrence

HOSE (CONDUIT) - Dayco, Lawrence

HOSE (FIRE) -BF Goodrich, Snap-Tite

HOSE (MATERIAL HANDLING) - Lawrence

HOSE (MINE SPRAY) - Goodyear

HOSE (ROCK DUST) - Lawrence

HOSE CLAMPS - Band-It, Dixon, Punch-Lok

HOSE COUPLINGS & FITTINGS - Band-It, Dixon, Punch-Lok

HUBS - Martin

HYDRAULIC POWER PAKS - Duff-Norton, Enerpac, Simplex

HYDRAULIC RAMS - Duff-Norton, Enerpac, Simplex

HYDRAULIC ROCK SPLITTERS - Elco

I

IDLERS (CONVEYOR) - FMC, Hewitt-Robins, Rexnord

IMPACT WRENCHES (AIR) - Kent, Sullair

J

JACKS (HYDRAULIC) - Duff-Norton, Enerpac, Simplex

JACKS (MECHANICAL/RATCHET) - Duff-Norton, Hi-Lift, Simplex

JACKS (MINE ROOF) - Duff-Norton, Hi-Lift, Northco, Simplex

K

KNIFES - Techni-Edge, Warrensville

L

LADDERS - Louisville Ladders

LAMPS - General Electric

LATHES - Samco Machine

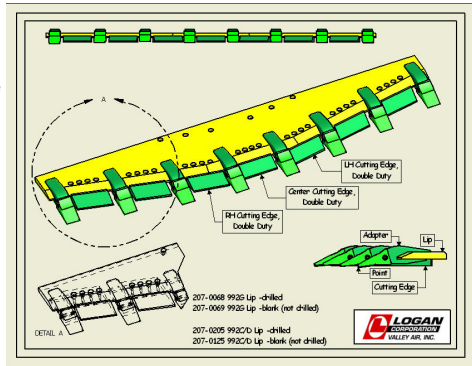
LEVELER (LOAD) - Southworth

LIFT TABLES - Southworth, Valley Craft

LIFTING ACCESSORIES (SPECIAL) - Caldwell

LIGHT TOWERS (PORTABLE FLOOD) - Multiquip, Terex, Wacker, Winco

LIP ASSEMBLIES - Logan Corp.



LIP SYSTEM - Bucyrus, ESCO

LOAD BINDERS - Columbus McKinnon, Crosby

LOCKERS - Lyon

LOCOMOTIVE PARTS - General Electric, EMD, ALCO, Plymouth, Goodman

LONGWALL CABLE HANDLER - Columbus McKinnon (Bretby)

LONGWALL CHAIN - Columbus McKinnon

LONGWALL CONNECTING LINKS - Columbus McKinnon, Rud

LONGWALL FLIGHT BARS - Columbus McKinnon

LONGWALL SCRAPER BARS - Columbus McKinnon

LONGWALL SHACKLE ASSEMBLIES - Columbus Mckinnon

LUBRICANTS - ATW, Bel-Ray, Break-Free, CITGO, CRC, Marvel Oil, Schaeffer, Sullair, Visco, WD-40

LUBRICATING EQUIPMENT - Alemite, American Lubrication, Dixon, Dutton-Lainson, Lincoln

LUBRICATION SYSTEMS - Ansul,

M

MANHOLES - Advanced Drainage

MANLIFTS - Genie, JLG

MARKING MATERIALS - Dixon Ticonderoga, Irwin, Keson, North American Professional Products

MATERIAL HANDLERS - Genie, Terex

MATERIAL LIFTS - Genie

MATTOCKS - Warwood

MENDERS - Dixon

MEZZANINES (DECKOVER SYSTEM) - Lyon

MINE TIES & ANGLE BARS - POHL

MINI-EXCAVATORS - IHI, Terex

MINING TOOTH SYSTEM - ESCO

MOIL POINTS - Kent, Vulcan

MORTOR MIXERS - Stone, Terex

N

NAILS - Primesource

NIPPLES (HOSE) - Dixon

NON COMPLEX RENEWAL PARTS - Logan Corporation

NOZZLES (FIRE) - Red Head

NOZZLES (SAND BLASTING) - Lindsay, Schmidt, Steinen

NOZZLES (WATER SPRAY) - Rexnord, Conflow, Spraying Systems, Steinen

NOZZLES (QUICK FUEL) - Adel Wiggins

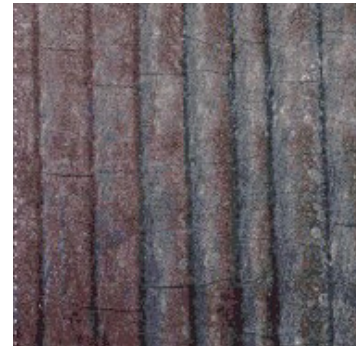
O

OIL - Bel-Ray, Break-Free, CITGO, CRC, Enerpac, Simplex

OIL ABSORBENT - American Engineering, Eagle-Picher

OIL CANS - Alemite, Eagle

OVERLAY (STEEL) - Heflin, Paradigm



PINS (HINGE) - Flexco
PIPE (BLACK) – Maverick Tube, Poly-America, Polyethylene Film
PIPE (CULVERT) - Advanced Drainage, Contech, Lane
PIPE (PLASTIC) – Appalachian
PIPE ADAPTERS - Appalachian
PLATE COMPACTORS - Stone, Terex, Wacker
PLIERS - Armstrong, Channellock, Cleform, Cooper
PLUCKER (PAVEMENT) - Tarrant
POINTS (DRAGLINE) - ESCO
POINTS (EXCAVATOR) - Bucyrus, ESCO, GETCO



POLES (TROLLEY) - Hammond, Keith Lumber, Phoenix, Ohio Brass
POLYSTYRENE – Keystone Foam
POWER BUGGIES - Stone, Terex
POWER-PAKS - Duff-Norton, Enerpac, Simplex
POWER SPRAYERS - Terex
POWER TAKE-OFFS - Sullair
POWER TRANSMISSION - Diamond, Falk, Rexnord (Link-Belt), Wood's
POWER TROWELS - Stone, Terex, Wacker
PRESSES (HYDRAULIC) - Enerpac
PRESSURE WASHERS - Mi-T-M, Hotsy
PULL RELEASES - Wallace
PULLER SETS (HYDRAULIC) - Enerpac
PULLERS - Aldon, Enerpac, Gibraltar Equipment, Ingersoll-Rand
PULLEYS - Precision, Rexnord
PULLEYS (CONVEYOR BELT) - FMC, Hewitt-Robins
PUMPS (CONSTRUCTION) - CH&E, Honda, Multiquip, Stone, Stow, Wacker, Winco
PUMPS (ELECTRIC) – E-Power Remote
PUMPS (HYDRAULIC) - Duff-Norton, Enerpac, Simplex
PUMPS (SUBMERSIBLE) - CH&E, Kenco, Multiquip, Wacker, Zoeller

PUMPS (TRANSFER) - American Lubrication, Conflow, Lincoln, Runyen
PUMPS (TRASH) - Berkeley, CH&E, Godwin, Honda, Multiquip, Wacker
PUMPS (WATER) - Berkeley, CH&E, Godwin, Honda, Multiquip, Zoeller



PUMPS (HYDRAULIC) - Enerpac
PUTTY - Devcon

R

RACKS – Lyon
RAGS – Anchor Wiping, Coastal Wipes
RAIL BENDERS - Aldon
RAIL BOLTS - Huck, Pohl
RAIL BONDS - Pohl
RAIL CROSS BONDS - Pohl
RAIL MINE TIES - Pohl
RAIL SPIKES - Pohl Corp.
RAIL TIES & ANGLE BARS - Pohl
RAIN SUITS - Abel, Morgan
RAMMERS - Stow, Wacker
REAMERS - National Twist Drill, Republic
RECYCLING SYSTEMS - Powerscreen/Terex
REDUCERS - Falk, Rexnord
REELS - American Lubrication, Dixon, Hannay, Reelcraft
REGULATORS - American Lubrication, Dixon, Lincoln

RENTAL SALES & SERVICE -

Air Compressors, Air Tools, Backhoes, Compactors, Crushers, Excavators, Generators, Light Towers, Loaders, Plate Compactors, Power Buggies, Shoring Shields, Skid Steer Loaders, Screens, Site Dumpers, Trowel Machines, Trommels,
REPAIR TOOL - Slide Sledge
RESIN - Fosroc
RIGGING (DRAGLINE) - ESCO
RIPPER (CONCRETE) - Stow
RIPPER (POINTS, SHROUDS) - Bucyrus
RIVETS (BELT) - FLEXCO
ROCK BITS - Brunner & Lay, Sandvik
ROCK DRILLS - Kent, Sullair
RODS (FIBERGLASS) – Morrison, Strongwell
ROLLER BEARINGS - Rexnord
ROLLER CHAIN - Diamond, Rexnord
ROPE - Bridon, MacWhyte, WIRECO
ROPE (MANILA) – Cord Tex, Crowe
ROPE (NYLON) – Cord Tex, Crowe
ROPE CLIPS - Campbell, Columbus
 McKinnon, Crosby, Punch-Lok
RUBBER (PUTTY) - Devcon
RUBBER TRACK LOADER - ASV



RULERS - Cooper, Keson, Starrett
RUST PREVENTATIVE – Devcon

S

SAFETY PRODUCTS - Abel, Arkon, Ergotech, Miller, Morgan

SAFETY SHOES - Iron Age

SAFETY SIGNS - Safety Sign

SANDBLASTING PRODUCTS - Church & Dwight, Lindsay, Schmidt, Sullair

SAW BLADES - American Saw, DeWalt, Diamond Products, Edmar, Everett, Rule, Sandvik, United Abrasives, Wagman

SAWS - Diamond Products, DeWalt, Everett, Partner, Rule, Stow, Wacker

SCALES (ELECTRONIC) - Newall

SCARIFIER (SHANKS, TIPS, WEDGES) - Bucyrus

SCOOPS (COAL) - Ames

SCREENS - Powerscreen, SamScreen, Terex

SCREW CONVEYORS - FMC, Martin, Screw Conveyor

SCISSOR LIFTS - Genie, JLG



SHACKLES - Crosby

SHAFT COLLARS - Wood's

SHEAVES - Dayco, Martin, Wood's

SHELVING - Lyon

SHORING SHIELDS - Speed Shore

SHOVELS - Ames, Cooper

SHROUDS - Bucyrus, ESCO

SITE DUMPERS - Terex

SKID STEER LOADERS - ASV

SKID TURNERS - Southworth

SKIMMERS - FMC

SLATE BARS - Bowdill

SLEEVES - Martin

SLINGS - Columbus McKinnon, Crosby, Mac Wythe, WIRECO Pennsylvania Sling

SOCKETS - Armstrong, Crosby, LaCleda

SPADS - Die Matic

SPEED INCREASERS - Falk, Rexnord

SPEED REDUCERS - Falk, Rexnord

SPIKES - Pohl

SPLICE KITS - Flexco, Ocenco, Splice Oce,

SPLITTERS - Elco, Enerpac

SPRAY LUBRICANTS - Break-Free, CRC, Loctite

SPRAY NOZZLES - Rexnord, Spraying Systems

SPREADERS - Enerpac, Terrant

SPROCKETS - Eriez, Martin

Sprocket, Rexnord, Union

SQUARER - Conflow, Rigid

STEEL (MILD PLATE) - O'Neal

STEEL (T-1) - Hardox, ISG, Mittal



STEAM CLEANERS - MI-T-M

STOMPERS - Stone

STRAINERS - Dixon, Conflow

STRAPPING - Band-it

STRIP DOORS - Spanco

STRIPS (PVC) - Spanco

SURFACE PREPERATION - Terex

SWEEPER PARTS & SERVICE - Johnston, Sweepster

SWEEPERS (STREET) -

Johnston, Sweepster

SWEEPERS (TRAILER MOUNTED)

Johnston, M-B Co., Sweepster

SWEEPING COMPOUND -

Eagle-Picher

SWITCHES - Phoenix, Ohio Brass

SWIVELS - Crosby

T

TABLES (LIFT) - Southworth, Spanco, Valley Craft

TAILGATES - Logan



TAKE-UP UNITS - Rexnord

TAPS (DRILL) - National Twist Drill, Republic

TAPE (ELECTRICAL & SPLICING) - National

TAPE (MEASURING) - Cooper, Keson, Starrett

TARPAULINS - Service Canvas

TEETH (DRAG LINE) - ESCO

TEETH (RIPPER) - Bucyrus

TIES (MINE) - Pohl

TILTERS - Southworth

TOOL BAGS - Superior

TOOL ROOM SUPPLIES - Shop Aid

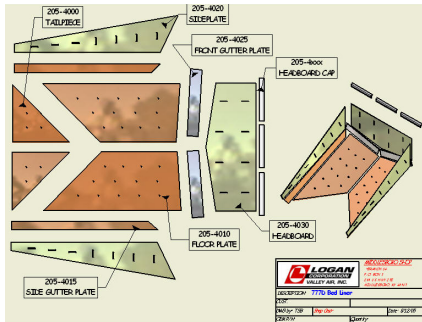
TOOLMAKERS INK - North American Professional Products

TOOLS - Aldon, Allen, American Pneumatic, Ames, Armstrong, Atlas Copco, Channellock, Cooper, Council, DeWalt, Enerpac, Flexco, Huck, Kent, Punch-Lok, Ridge Tool, SlideSledge, Sullair, Vulcan

TOOLS (CUTTING) - ATW, Boro Park

W

TOOLS (RESHARPEN) - Sabetelli
TRACK BOLTS & SPIKES - Aldon, Pohl
TRACTOR LOADER BACKHOE - Terex
TRANSMISSIONS - Rexnord
TRENCHERS - Vermeer
TROLLEY GUARD - Dayco
TROLLEY LINE MATERIAL - Phoenix,
TROLLEY POLES - Keith Lumber, Phoenix,
TROMMELS - Powerscreen/Terex
TROWEL BLADES - Stone, Stow, Wacker, Wagman
TROWELS - Stone, Stow, Terex, Wacker
TRUCK BED LINERS - Logan



TUBE BENDERS (HYDRAULIC) - Enerpac
TUBING - Crestwoo, Maverick, National, Vincent
TURNBUCKLES - Acco, Campbell, Columbus McKinnon, Crosby, Phoenix, Southern Wire

V

VACUUM PUMPS - Sullair
VALVES (AIR) - Dixon
VALVES (GATE) - Conflow
VIBRATORS - Multiquip, Stone, Stow, Vibco, Wacker
VIBRATING SCREEDS - Terex
VICES - Wilton

WASHING SYSTEMS - Powerscreen/Terex



WASHERS (PRESSURE) - MI-T-M
WATER - Tyler
WATER COOLERS - Rubbermaid
WEDGES (SPLITTING) - Warwood
WELDERS - Honda, Lincoln, Multiquip
WHEELBARROWS - Ames
WHEEL LOADERS - Terex

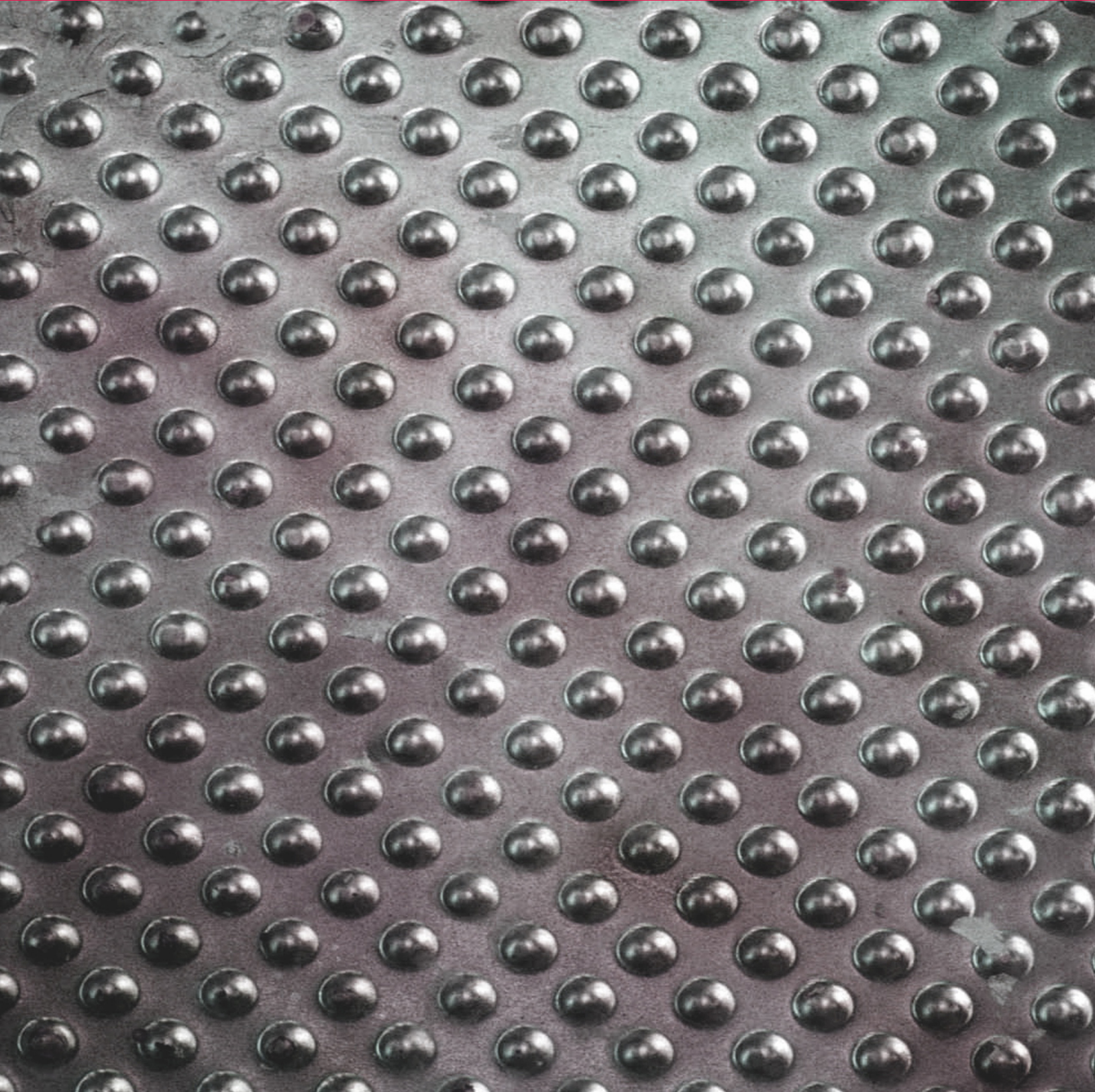


WHEELS (ABRASIVE) - Arrow, Edmar, Everett, Standard, United Abrasives
WHEELS & CASTERS - Hamilton, FMC
WINCH - Ingersoll-Rand
WIPER BLADES - Urethane Specialty
WIPERS - Coastal Wipers
WIRE MESH - Connecticut Steel
WIRE ROPE - Anchor, Bridon, Broderick & Bascom, Leschen, MacWhyte, WIRECO
WIRE ROPE ATTACHMENTS - Crosby, MacWhyte, WIRECO
WIRE ROPE CLIPS - Campbell, Columbus McKinnon, Crosby
WIRE ROPE CUTTERS - Morse-Starret, Cooper, Eklind, Enerpac

WIRE ROPE FITTINGS - Campbell, Columbus McKinnon, Crosby, MacWhyte, WIRECO
WIRE ROPE SLINGS - Bridon, Pennsylvania Sling, Leschen, MacWhyte, WIRECO
WRENCHES - Armstrong, Kline



www.logancorp.com



www.logancorp.com

