

# SHEER HORIZONTAL & VERTICAL SHADINGS

Shangri-La® Sheer Horizontal Shadings / Vertical Sheer Shadings / Soft Tones Sheer Shadings



**NEW**  
**POWERTOUCH™**  
**RECHARGEABLE**  
**MOTORIZED**  
*Option*

**Manufacturer's Price List and Reference Guide | Effective May 1st**



**Comfortex**  
WINDOW FASHIONS



# Online Ordering Has Never Been Easier!

Comfortex uses DirectConnect, an online ordering and sales management tool that helps you streamline your everyday ordering and tracking process.

## The benefits to ordering using DirectConnect:

- Order Entry, Status, and Tracking
- Quick Quote multiple product comparison
- Varying access levels for dealers and employees
- Client management
- Dealer calendar and scheduling tool
- 1% discount when ordering shades
- Check status and tracking on line
- Request a repair, parts or remakes fast and easy
- Print, email or fax customer's invoice to them from Direct Connect
- Pay invoices on line

## DirectConnect in 3 Easy Steps:

- 1)** Go to [Comfortexdealers.com/onlineordering.html](http://Comfortexdealers.com/onlineordering.html)
- 2)** Request User name and password
- 3)** Log into DirectConnect and start taking advantage of the benefits



# Comfortex Shangri-La® Sheer Horizontal Window Shadings, Soft Tones Sheer Shadings and Vertical Sheer Shadings Price List and Reference Guide | Effective May 1, 2017

This price list and reference guide contains product pricing, product specifications and technical information for the complete line of Comfortex Shangri-La Sheer Horizontal Shadings, Soft Tones Shadings and Vertical Sheer Shadings.

## Shangri-La Sheer Horizontal Shadings

|   |     |
|---|-----|
| Features At A Glance . . . . .              | 3   |
| Key Features . . . . .                      | 4-5 |
| Hardware Upgrades and Surcharges . . . . .  | 6   |
| Fabric Collection Size Standards . . . . .  | 7-9 |
| Fabric Collections and Vane Sizes . . . . . | 10  |

## Hardware

|   |       |
|---|-------|
| Cord Loop Designer Cassette Head Rail: . . . . .                  | 11-12 |
| Cord Information for Shangri-La Shadings . . . . .                | 12    |
| Reverse Roll . . . . .  | 12    |
| Length Considerations with Shangri-La Shadings . . . . .          | 12    |
| Side by Side Alignment . . . . .                                  | 12    |
| Omni-View System . . . . .  | 12    |
| Retractable Cord . . . . .  | 13    |
| Two-On-One . . . . .  | 14    |
| Cordless . . . . .  | 15-16 |
| DoorStyles . . . . .  | 17-18 |
| PowerTouch Rechargeable . . . . .                                 | 19-20 |
| Simplicity Motorization . . . . .                                 | 21-22 |
| Simplicity Integrated Rechargeable . . . . .                      | 23-25 |
| Simplicity Smart Controller . . . . .                             | 26    |
| Certified Fabrics . . . . .                                       | 27    |
| Flame Resistance . . . . .  | 27    |
| UV Protection . . . . .   | 27    |
| Vane Opening and Visibility . . . . .                             | 27    |
| Vane Closure . . . . .  | 27    |
| Leveling Shangri-La Sheer Horizontals . . . . .                   | 28    |
| Measuring Instructions for Shangri-La Sheer Horizontals . . . . . | 29    |
| Skew Adjusting Bottom Rail . . . . .                              | 29    |
| Cleaning and Care . . . . .                                       | 29    |
| Child Safety . . . . .  | 29    |
| Highlights Cornice Valance . . . . .                              | 29    |

## Soft Tones Sheer Shadings

|   |    |
|---|----|
| Features At A Glance . . . . .              | 30 |
| Key Features . . . . .                      | 31 |
| Soft Tones Shadings Size Standards. . . . . | 31 |

### Hardware

|  |       |
|--|-------|
| Cord Loop Designer Cassette Head Rail: . . . . . | 32    |
| Length Considerations . . . . .                  | 32    |
| Soft Tones Shadings Operation . . . . .          | 32    |
| Fabric Positions . . . . .                       | 32    |
| Side by Side Alignment . . . . .                 | 32    |
| Soft Tones Shadings Cord Information . . . . .   | 32    |
| PowerTouch Rechargeable . . . . .                | 33-34 |
| Simplicity Motorization. . . . .                 | 35-36 |
| Simplicity Integrated Rechargeable . . . . .     | 37-38 |
| Cleaning and Care . . . . .                      | 39    |
| Measuring Instructions . . . . .                 | 40    |
| Child Safety . . . . .                           | 40    |
| Highlights Cornice Valance. . . . .              | 41    |

## Vertical Sheer Shadings

|   |    |
|---|----|
| Features At A Glance . . . . .                | 42 |
| Vertical Sheer Size Standards . . . . .       | 43 |
| Panel Designs   Finished Dimensions . . . . . | 43 |

|   |       |
|---|-------|
| Product Configurations . . . . .  | 44    |
| Vertical Sheer Shadings Fabric and Vanes . . . . .                      | 45    |
| Tiltback. . . . .   | 45    |
| Vertical Sheer Shadings Hardware . . . . .                              | 46    |
| Controls and Control Placement. . . . .                                 | 46    |
| Vertical Sheer Shadings Design and Operation . . . . .                  | 47    |
| Vane Closure Gap. . . . .   | 47    |
| Split Stack Center Gap. . . . .   | 48    |
| Side by Side Abutted Applications. . . . .                              | 48    |
| Abutted Gap. . . . .  | 48    |
| Return Gap . . . . .  | 48    |
| Measuring, Mounting Requirements and Installation Information . . . . . | 49-50 |
| How to Avoid Common Ordering Errors. . . . .                            | 51    |
| Stackback. . . . .  | 52-53 |
| UV Protection . . . . .   | 54    |
| Cleaning and Care . . . . .   | 54    |
| Child Safety . . . . .  | 54    |

## Policy & Warranty




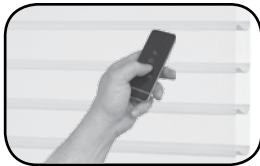


|  |    |
|--|----|
| Measuring . . . . .  | 55 |
| Child Safety . . . . .   | 55 |
| Conditions of Sale . . . . .   | 56 |
| Policies. . . . .  | 56 |
| Motorized Shadings Warranty . . . . .  | 56 |
| Shangri-La Warranty Information. . . . .   | 57 |
| Shangri-La, Soft Tones and Vertical Sheer Shadings Limited Lifetime Warranty . . . . . | 57 |

# Shangri-La® Sheer Horizontal Window Shadings



- Shangri-La is a window shading of unique beauty and performance for the finishing touch to a beautiful window and room.
- Horizontal fabric vanes float between two layers of soft, knitted fabric sheers to soften your view outside.
- Shangri-La is available to widths of 120" and drops to 132" to provide visual elegance to the widest of windows.
- Shangri-La is available in 2-inch, 2½-inch and 3-inch vane widths in both light filtering and room darkening fabrics.
- Shangri-La's 3-inch vane fabrics provide greater view through with our most popular colors.
- Vanes glide from open to closed to out of sight with elegant hardware.
- Choose from multiple hardware options to customize your shading: traditional cord loop, retractable cord, cordless, cordless PowerTouch with Touch and Go feature or radio frequency motorization.
- Only the Omni-View cord system provides five distinctly different variations of vane position for numerous combinations of privacy, view and light control.
- Only with Shangri-La, can you partially raise the shading with the fabric vanes in the open, view-through position so you keep your view and still feel the outdoor breeze.
- A weight system hidden in the bottom rail allows for on-the-spot skew adjustment for a balanced appearance in the window.
- The sophisticated array of Shangri-La colors is designed to flatter your decor.
- Create your customers own sophisticated look with the low light gap Designer Cassette Head Rail.
- A low side light gap provides minimal light leakage on shading sides and above the head rail for increased privacy.
- Easy to install hardware and brackets allow for effortless installations and easy removal for cleaning.
- Shangri-La Shadings may be ultrasonically or traditionally cleaned to stay bright and beautiful.
- A Limited Lifetime Warranty serves as a commitment to your satisfaction.




# Sheer Horizontal Window Shadings Hardware Options

|   | Key Features   | Color Options  | Hardware Size (Depth x Height)  | Shade Size Available   | More Information |
|---|--|--|---|--|------------------|
| <p><b>Cord Loop</b></p>                                | <ul style="list-style-type: none"> <li>• Cord Loop makes operation easy</li> <li>• Smooth &amp; quiet operation</li> <li>• Braided cord loop is used to raise and lower the shading</li> <li>• Bead Cord is optional</li> </ul>  | <ul style="list-style-type: none"> <li>• White</li> <li>• Ivory</li> <li>• Onyx Black</li> <li>• Oil Rubbed Bronze</li> <li>• Brushed Nickel</li> </ul>                | <p>Smooth Face:<br/>3¾" x 2⅞"</p> <p>Fabric Insert:<br/>3¾" x 2¾"</p>   | <p>Width:<br/>12" to 120"*</p> <p>Length:<br/>12" to 132"***</p> | Page 16          |
| <p><b>Retractable Cord</b></p>                         | <ul style="list-style-type: none"> <li>• Single Cord Design</li> <li>• Provides easy one hand operation</li> <li>• Maintains a consistent length</li> <li>• Enhances child and pet safety</li> </ul>   | <ul style="list-style-type: none"> <li>• White</li> <li>• Black</li> <li>• Bronze</li> </ul>   | <p>Smooth Face:<br/>3¾" to 2⅞"</p> <p>Fabric Insert:<br/>3¾" to 2¾"</p> | <p>Width:<br/>12" to 120"*</p> <p>Length:<br/>12" to 132"***</p> | Page 18          |
| <p><b>Cordless Shading</b></p>                         | <ul style="list-style-type: none"> <li>• Cord Free</li> <li>• Roller catch mechanism in the head rail</li> <li>• Vanes easily adjusted into various positions</li> </ul>   | <ul style="list-style-type: none"> <li>• White, Ivory, or Black strap handle</li> <li>• Bottom Rail is coordinated to the fabric (not matched to head rail)</li> </ul> | <p>Smooth Face:<br/>3¾" to 2⅞"</p> <p>Fabric Insert:<br/>3¾" to 2¾"</p> | <p>Width:<br/>20" to 84"</p> <p>Length:<br/>18" to 96"</p>       | Page 20          |
| <p><b>Simplicity Motorization</b></p>                 | <ul style="list-style-type: none"> <li>• Raise &amp; lower shade with click of a button</li> <li>• Great for large and hard to reach windows</li> <li>• Remote can operate multiple shades</li> </ul>  | <ul style="list-style-type: none"> <li>• Designer Cassette options</li> <li>• 5 Channel Black or White Remote</li> <li>• 6 Channel white Remote with timer</li> </ul>  | <p>Smooth Face:<br/>3¾" to 2⅞"</p> <p>Fabric Insert:<br/>3¾" to 2¾"</p> | <p>Width:<br/>14" to 120"*</p> <p>Length:<br/>12" to 132"***</p> | Page 26          |
| <p><b>Simplicity Rechargeable Motorization</b></p>   | <ul style="list-style-type: none"> <li>• Features a battery powered motor utilizing a rechargeable integrated battery pack</li> <li>• Raise &amp; lower shading with click of a button</li> <li>• Great for large and hard to reach windows</li> <li>• Remote can operate multiple shades</li> </ul> | <ul style="list-style-type: none"> <li>• Designer Cassette options</li> <li>• 5 Channel Black or White Remote</li> <li>• 6 Channel white Remote with timer</li> </ul>  | <p>Smooth Face:<br/>3¾" to 2⅞"</p> <p>Fabric Insert:<br/>3¾" to 2¾"</p> | <p>Width:<br/>18" to 120"*</p> <p>Length:<br/>12" to 132"***</p> | Page 28          |
| <p><b>PowerTouch Rechargeable Cordless Wand</b></p>  | <ul style="list-style-type: none"> <li>• Raise &amp; lower shading with push of a button</li> <li>• Eliminate the need to stand by the shading to operate; just touch and go</li> <li>• Favorite position button</li> <li>• Rechargeable battery with recharge port on pendant</li> </ul>            | <ul style="list-style-type: none"> <li>• Wand and pendant available in white or black</li> </ul>   | <p>Smooth Face:<br/>3¾" x 2⅞"</p> <p>Fabric Insert:<br/>3¾" x 2¾"</p>   | <p>Width:<br/>18" to 120"</p> <p>Length:<br/>12" to 132"</p>     | Page 24          |

\* Maximum width of 120" IB, 119¾" OB

\*\* Light Filtering 132", Room Darkening 122"

# Sheer Horizontal Window Shadings Hardware Options

|  | Key Features   | Color Options   | Hardware Size<br>(Depth x Height)   | Shade Size Available   | More Information |
|--|--|---|---|--|------------------|
| <b>Two on One Head Rail</b><br>       | <ul style="list-style-type: none"> <li>Operate two shades on one rail</li> <li>Great for larger windows</li> <li>Individually operating shades</li> <li>Available with Cord Loop, PowerTouch Rechargeable, Simplicity and Retractable Cord</li> <li>Not available with cordless</li> </ul> | <ul style="list-style-type: none"> <li>White</li> <li>Ivory</li> <li>Onyx Black</li> <li>Oil Rubbed Bronze</li> <li>Brushed Nickel</li> </ul> | Smooth Face:<br>3 3/4" x 2 7/8"<br><br>Fabric Insert:<br>3 3/4" x 2 3/4"  | Individual Side Width:<br>12" to 102"<br><br>Width:<br>24 3/8" to 140"<br><br>Length:<br>See Designer Cassette Specs | Page<br>19       |
| <b>DoorStyles</b><br>                 | <ul style="list-style-type: none"> <li>Great option for narrow windows and doors</li> <li>Does not raise/lower, articulate vanes only</li> <li>No Pull cords</li> <li>Secure to door with hold down brackets</li> </ul>  | <ul style="list-style-type: none"> <li>Rails and end caps are coordinated to the fabric color</li> </ul>                                      | 2" to 1/2"  | Width:<br>6" to 72"<br><br>Length:<br>12" x 72"  | Page<br>22       |
| <b>Highlights Cornice Valance</b><br> | <ul style="list-style-type: none"> <li>Accenting Fabrics</li> <li>Adds height to windows</li> <li>Available as inside and outside mount</li> <li>Easy to install</li> </ul>  | <ul style="list-style-type: none"> <li>100+ Envision fabrics</li> <li>100s of PERSONA patterns and colors</li> </ul>                          | Width:<br>12" to 94"<br><br>Height:<br>6"<br><br>Returns:<br>1 1/2" to 6" | Varies by selected fabric<br><br>Width:<br>12" to 94"  | Page<br>34       |

\* Maximum length varies by width

## Sheer Horizontal Shading Hardware Upgrade Options

| LIFT SYSTEM      | UPGRADES  | ADD      |
|------------------|-----------|----------|
| Cord Loop        | Bottom Up | Included |
| Retractable Cord | Bottom Up | \$99     |
| Cordless Shading | Bottom Up | \$99     |

| DESIGNER UPGRADE OPTIONS                           | UPGRADES  | ADD  |
|--|---|------|
| Add to Any Lift System Upgrade (Chart to the left) | Metallic Hardware   | \$22 |
|  | Scotchgard Stain Protection                                   | \$49 |
|  | Highlights Valance<br><i>See Page 34 For More Information</i> |      |

| ADDITIONAL OPTIONS       | UPGRADES                | ADD                                     |
|--------------------------|-------------------------|---|
| Add to Any Upgrade Above | Two-On-One Head Rail    | Price as two shadings and add together. |
| Accessories              | 6 Foot Expandable Pole  | \$65                                    |
|                          | 12 Foot Expandable Pole | \$79                                    |

## Sheer Horizontal Shading **Motorized** Hardware Upgrade Options

| MOTORIZED  | UPGRADES                                | ADD   |                                 |
|--|---|-------|---------------------------------|
| PowerTouch Rechargeable Motorization System            | Rechargeable Integrated Battery Pack    | \$149 | For More Information<br>Page 24 |
|  | Plug-In Charger for Rechargeable Li-Ion | \$40  |                                 |
| Simplicity Motorization System                         | Motor and Battery Wand                  | \$439 | For More Information<br>Page 26 |
|  | Simplicity 5 Channel Remote             | \$109 |                                 |
|  | Simplicity 6 Channel Remote with Timer  | \$175 |                                 |
|  | 48" Extension Wire                      | \$30  |                                 |
|  | DC Power Supply/Transformer             | \$112 |                                 |
| Simplicity Integrated Rechargeable Motorization System | Motor and Integrated Battery Pack       | \$439 | For More Information<br>Page 28 |
|  | Simplicity 5 Channel Remote             | \$109 |                                 |
|  | Simplicity 6 Channel Remote with Timer  | \$175 |                                 |
|  | Plug-In Charger for Rechargeable Li-Ion | \$40  |                                 |
| Simplicity Smart Controller System                     | NEO Controller                          | \$445 | For More Information<br>Page 31 |
|  | NEO Application for Mobile Devices      | FREE  |                                 |

### TWO-ON-ONE PRICING EXAMPLE:

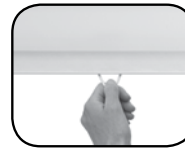
|  |                  |
|--|------------------|
| 2" Light Filtering 42" x 60" Shadings: | \$1014.00 x 2    |
|  | \$2028.00        |
| Retractable Cord Upgrade:              | \$99 x 2         |
|  | \$198.00         |
| <b>Total List Price:</b>               | <b>\$2226.00</b> |

### SIMPLICITY RECHARGEABLE MOTORIZATION PRICING EXAMPLE:

|  |                  |
|--|------------------|
| 2" Light Filtering 42" x 60" Shade:            | \$1014.00        |
| Metallic Hardware Option for Motorized Shades: | \$22.00          |
| Simplicity Rechargeable Surcharge:             | \$439.00         |
| Charger for Rechargeable (required):           | \$40.00          |
| Simplicity Remote Control:                     | \$109.00         |
| <b>Total List Price:</b>                       | <b>\$1624.00</b> |



Shangri-La® Sheer Horizontal Shading Fabric Collections Size Standards



|             |                | Cord Loop | Retractable Cord | Cordless Shading | Motorization |
|-------------|----------------|-----------|------------------|------------------|--------------|
| ALL FABRICS | Minimum Width  | 12"       | 12"              | 20"              | 14"          |
|             | Minimum Length | 12"       | 12"              | 12"              | 12"          |

| Light Filtering | Price Group | Page |                        | Cord Loop    | Retractable Cord | Cordless Shading | Motorization |
|-----------------|-------------|------|------------------------|--------------|------------------|------------------|--------------|
| 2" Vanes        | 1           | 11   | Maximum Width & Length | 120"* x 132" | 120"* x 132"     | 84" x 96"        | 120"* x 132" |
| 2" Linen Vanes  | 1           | 11   |                        |              |                  |                  |              |
| 2½" Vanes       | 3           | 12   |                        |              |                  |                  |              |
| 3" Vanes        | 5           | 13   |                        |              |                  |                  |              |

| Room Darkening | Price Group | Page |                        | Cord Loop    | Retractable Cord | Cordless Shading | Motorization |
|----------------|-------------|------|------------------------|--------------|------------------|------------------|--------------|
| 2" Vanes       | 2           | 11   | Maximum Width & Length | 120"* x 122" | 120"* x 122"     | 84" x 96"        | 120"* x 122" |
| 2" Linen Vanes | 2           | 11   |                        |              |                  |                  |              |
| 2½" Vanes      | 4           | 12   |                        |              |                  |                  |              |
| 3" Vanes       | 6           | 13   |                        |              |                  |                  |              |

|                          | Cord Loop | Retractable Cord | Cordless Shading | Motorization |
|--------------------------|-----------|------------------|------------------|--------------|
| More Information On Page | Page 16   | Page 18          | Page 20          | Page 26      |

\* Maximum width of 120" IB, 119¾" OB

# Shangri-La® Sheer Horizontal Shading Fabric Collections Size Standards



|             |                | Motorization            | Motorization            | Two-On-One                   |
|-------------|----------------|-------------------------|-------------------------|------------------------------|
|             |                | Simplicity Rechargeable | PowerTouch Rechargeable |                              |
| ALL FABRICS | Minimum Width  | 18"                     | 18"                     | See Table Below <sup>+</sup> |
|             | Minimum Length | 12"                     | 12"                     | 12"                          |

|                 |             |      |                        | Motorization            | Motorization            | Two-On-One  |
|-----------------|-------------|------|------------------------|-------------------------|-------------------------|-------------|
|                 |             |      |                        | Simplicity Rechargeable | PowerTouch Rechargeable |             |
| Light Filtering | Price Group | Page |                        |                         |                         |             |
| 2" Vanes        | 1           | 11   | Maximum Width & Length | 120"* x 132"            | 120"* x 132"            | 140" x 132" |
| 2" Linen Vanes  | 1           | 11   |                        |                         |                         |             |
| 2½" Vanes       | 3           | 12   |                        |                         |                         |             |
| 3" Vanes        | 5           | 13   |                        |                         |                         |             |

|                |             |        |                        | Motorization            | Motorization            | Two-On-One  |
|----------------|-------------|--------|------------------------|-------------------------|-------------------------|-------------|
|                |             |        |                        | Simplicity Rechargeable | PowerTouch Rechargeable |             |
| Room Darkening | Price Group | Page # |                        |                         |                         |             |
| 2" Vanes       | 2           | 11     | Maximum Width & Length | 120"* x 122"            | 120"* x 122"            | 140" x 122" |
| 2" Linen Vanes | 2           | 11     |                        |                         |                         |             |
| 2½" Vanes      | 4           | 12     |                        |                         |                         |             |
| 3" Vanes       | 6           | 13     |                        |                         |                         |             |

|                          |  |  |  | Motorization            | Motorization            | Two-On-One |
|--------------------------|--|--|--|-------------------------|-------------------------|------------|
|                          |  |  |  | Simplicity Rechargeable | PowerTouch Rechargeable |            |
| More Information On Page |  |  |  | Page 28                 | Page 24                 | Page 19    |

\* Maximum width of 120" IB, 119¾" OB

|                      | Minimum Width | Hardware                |
|----------------------|---------------|-------------------------|
| TWO-ON-ONE HARDWARE+ | 24"           | Cord Loop               |
|                      | 24"           | Retractable Cord        |
|                      | NA            | Cordless                |
|                      | 28"           | Simplicity Motorization |
|                      | 36"           | Simplicity Rechargeable |
|                      | 36"           | PowerTouch Rechargeable |

# Shangri-La® DoorStyles Shading Size Standards



|             |                | DoorStyles |
|-------------|----------------|------------|
| ALL FABRICS | Minimum Width  | 6"         |
|             | Minimum Length | 12"        |

| Light Filtering | Price Group | Page | DoorStyles                           |
|-----------------|-------------|------|--------------------------------------|
| 2" Vanes        | 7           | 14   | Maximum Width & Length<br>72" x 96"* |
| 2" Linen Vanes  | 7           | 14   |                                      |
| 2½" Vanes       | NA          | NA   |                                      |
| 3" Vanes        | 9           | 15   |                                      |

| Room Darkening | Price Group | Page | DoorStyles                           |
|----------------|-------------|------|--------------------------------------|
| 2" Vanes       | 8           | 14   | Maximum Width & Length<br>72" x 96"* |
| 2" Linen Vanes | 8           | 14   |                                      |
| 2½" Vanes      | NA          | NA   |                                      |
| 3" Vanes       | 10          | 15   |                                      |

|                          |  | DoorStyles |
|--------------------------|--|------------|
| More Information On Page |  | Page 22    |

\* Maximum length varies by width. Maximum length for doorstyles over 36" wide is 72".



## Fabric Collections and Vane Sizes

Shangri-La Sheer Horizontal Window Shadings are available with different fabric collections.

| COLLECTION            | 2" Vanes | 2½" Vanes | 3" Vanes |
|-----------------------|----------|-----------|----------|
| Light Filtering       | •        | •         | •        |
| Room Darkening        | •        | •         | •        |
| Linen Light Filtering | •        | NA        | NA       |

**Please Note:** Room Darkening fabrics are not blackout fabrics. Knitted fabric may experience minor weave variations due to heat, humidity and other room conditions. These variations can result in light bowing, puckering and dimpling of the Shangri-La material. This is considered normal and does not constitute a failure in either workmanship or materials. The possible variations are minor and have been shown through case study not to detract from the beauty of the product.

## Product Options Availability

Use this table to ensure your coordinating options and unique shapes are consistent with your product selections.

| CORD LOOP                                   | 2" Vanes | 2" Linen Vanes | 2½" Vanes | 3" Vanes |
|---|----------|----------------|-----------|----------|
| Cord Loop                                   | •        | •              | •         | •        |
| Cord Loop Two-On-One                        | •        | •              | •         | •        |
| <b>RETRACTABLE CORD</b>                     |          |                |           |          |
| Retractable Cord                            | •        | •              | •         | •        |
| Retractable Cord Two-On-One                 | •        | •              | •         | •        |
| <b>CORDLESS SHADING</b>                     |          |                |           |          |
| Cordless Shading                            | •        | •              | •         | •        |
| Cordless Shading Two-On-One                 | NA       | NA             | NA        | NA       |
| <b>SIMPLICITY MOTORIZATION</b>              |          |                |           |          |
| Simplicity Motorization                     | •        | •              | •         | •        |
| Simplicity Motorization Two-On-One          | •        | •              | •         | •        |
| <b>SIMPLICITY RECHARGEABLE MOTORIZATION</b> |          |                |           |          |
| Simplicity Rechargeable                     | •        | •              | •         | •        |
| Simplicity Rechargeable Two-On-One          | •        | •              | •         | •        |
| <b>POWERTOUCH RECHARGEABLE MOTORIZATION</b> |          |                |           |          |
| PowerTouch Rechargeable                     | •        | •              | •         | •        |
| PowerTouch Rechargeable Two-On-One          | •        | •              | •         | •        |
| <b>DOORSTYLE</b>                            |          |                |           |          |
| DoorStyle                                   | •        | •              | NA        | •        |



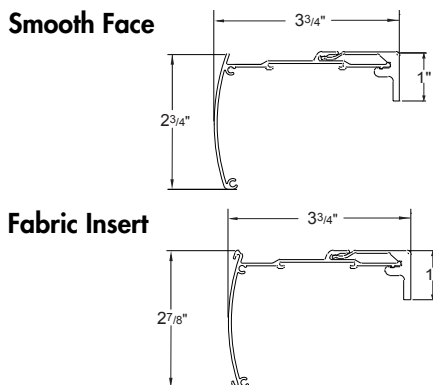
Smooth Face Designer Cassette



Fabric Insert Designer Cassette

# Sheer Horizontal Shadings Head Rail Options

## CORD LOOP | DESIGNER CASSETTE HEAD RAIL



- Smooth Face Designer Cassette Head Rail**
- Depth of rail and bracket: 3 3/4"
  - Height of rail: 2 3/4"
  - Height of bracket: 1"
- Fabric Insert Designer Cassette Head Rail**
- Depth of rail and bracket: 3 3/4"
  - Height of rail: 2 7/8"
  - Height of bracket: 1"

| Hardware Features   |   |
|---|---|
| Standard Designer Cassette  | Choose from coordinating Fabric Insert or painted Smooth Face rail. Default head rail color is White or Ivory based on shading vane color.                        |
| Bottom Rail Color   | Color coordinated rail with White/Ivory head rail. Bottom rail will be matched to Oil Rubbed Bronze or Onyx Black when metallic upgrade is selected.              |
| Upgrades  |   |
| Designer Metallic Upgrade (Fabric Insert/Smooth Face)                                     | <ul style="list-style-type: none"> <li>• Oil Rubbed Bronze</li> <li>• Onyx Black</li> <li>• Brushed Nickel</li> </ul>   |
| Mounting Dimensions   |   |
| Designer Cassette Head Rail   |   |
| Minimum Shallow Mount   | 1"  |
| Minimum Flush Inside Mount (including brackets)   | 3 3/4"  |
| Minimum Outside Mount   | 1"  |
| Minimum Side Mount  | 1 1/4"  |
| Width Side Mount  | 48" Max width side mount  |
| Finished Dimensions   |   |
| Inside Mount  |   |
|   | <ul style="list-style-type: none"> <li>• Fabric will measure ordered width less: 1"</li> <li>• Head rail* will measure ordered width less: 3/16"</li> </ul>       |
| Side (End) Mount  |   |
|   | <ul style="list-style-type: none"> <li>• Fabric will measure ordered width less: 1 1/2"</li> <li>• Head rail* will measure ordered width less: 1 1/16"</li> </ul> |
| Outside Mount   |   |
|   | <ul style="list-style-type: none"> <li>• Fabric will measure ordered width less: 5/8"</li> <li>• Head rail* will measure ordered width plus: 3/16"</li> </ul>     |
| Exact (End Cap to End Cap) Mount  |   |
|   | <ul style="list-style-type: none"> <li>• Fabric will measure ordered width less: 13/16"</li> <li>• Head rail* will measure ordered width</li> </ul>               |
| * Head rail measurements include endcaps. Width and length measurements may vary +/- 1/8" |   |

Please Note: Once ordered and manufactured, the width of the Shangri-La fabric cannot be altered. Comfortex makes deductions to the width depending on the type of mounting indicated. For all mounting types, fabric will measure exactly the length ordered when the vanes are in the closed position.

# Sheer Horizontal Shadings

## DESIGNER CASSETTE HEAD RAIL HARDWARE SYSTEM | SPECIFICATIONS

### Head Rail Inserts

Fabric head rail inserts are used on Designer Cassette Head Rail Shadings when specified.

We use the light filtering fabric insert strips on all shadings including room darkening colors. The color of the fabric insert coordinates with fabric used on the shading.

### Cord Type and Color

White, black or bronze loop cord coordinates with your hardware choice. Bead cord is optional in white, bronze, black or steel. Cord tensioners match your hardware choice (white, black or bronze).

### Reverse Roll

The braided cord does not have a reverse roll stop. If a shading with the Designer Cassette hardware is raised above 24" in the reverse roll mode, there is a possibility of the fabric rubbing on the head rail. Comfortex reserves the right NOT to warrant wear and tear of fabric if damaged by roll-up in excess of 24".

### Length Considerations with Shangri-La Shadings

Comfortex will fabricate your Shangri-La Window Shading to the length ordered, when the vanes are in the closed position (Figure A).

- When the vanes are rotated to the open position, the shading will become slightly longer.
- When opened on an inside mount, the shading will be slightly longer than ordered length.
- A slight puckering may occur when the vanes are in the open position. Rotating the vanes closed will cause the bottom rail to touch the window sill, before it begins to raise.

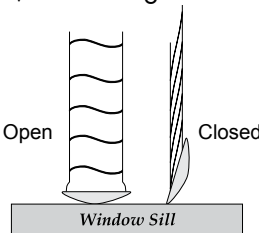


Figure A

### Side By Side Alignment

When Shangri-La Window Shadings are installed side-by-side, vane alignment can be guaranteed within 1/4" only if:

- The shadings are the same color and ordered at the same time.
- The sum total of the widths of all shadings needing alignment is less than 118".

Side-by-side lineup is specified when the order is placed.

### Omni-View System

Shangri-La Shadings feature the Omni-View™ Cord System. The Omni-View System provides the ability to manipulate the shading into various viewing positions. There are variations in visibility through the shadings when the vanes are tilted to their maximum open positions. The following five modes can be obtained with standard shading operation when viewing the shading at eye level.

- **Closed top, open bottom:** By partially lowering the shading from the fully raised position, the upper portion of your window will become semi-opaque while allowing a clear view below.
- **Fully private:** When lowered completely, Shangri-La provides complete privacy and softly diffused light.
- **Partially open:** Opening Shangri-La slightly will gradually increase the level of light and allow varying levels of view through.
- **View-through when lowered:** By completely opening the vanes, Shangri-La provides a softened, veiled view to the outside.
- **View-through when raised:** From the open or view-through position, continuing to pull down on the back of the cord will raise the fabric allowing a clear view outside from below, and a veiled view above. This exclusive feature allows Shangri-La to be raised up to 24" in this mode.
- Comfortex recommends that you **do not** raise the shading more than 24" off the sill in the view-through when raised mode. Refer to warranty section below for more information.
- Omni-View is only available with Shangri-La Shadings built with braided cord loop.

### Cord Information For Shangri-La Shadings

A braided cord loop is used to raise and lower the shading. White, black or bronze loop cord matches your hardware choice. Cord tensioner will match the hardware color.

Bead cord is available in black, white, bronze, nickel and steel.

The cord loop will measure the length indicated below unless otherwise specified.

| Shade Length                             | Standard Loop |
|--|---------------|
| 16" to 26 <sup>7</sup> / <sub>8</sub> "  | 1' (12")      |
| 27" to 39 <sup>7</sup> / <sub>8</sub> "  | 2' (24")      |
| 40" to 59 <sup>7</sup> / <sub>8</sub> "  | 3' (36")      |
| 60" to 83 <sup>7</sup> / <sub>8</sub> "  | 4' (48")      |
| 84" to 107 <sup>7</sup> / <sub>8</sub> " | 5' (60")      |
| 108" and greater                         | 6' (72")      |

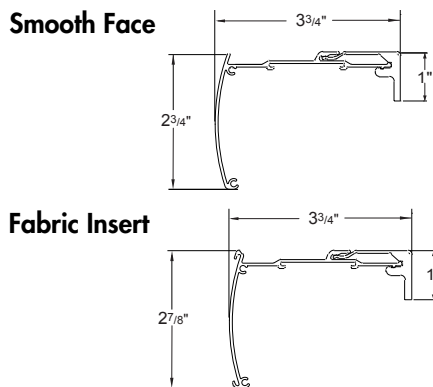
Maximum cord length is 15 feet. Polyester cord can be ordered in custom lengths in 1 foot increments only.

### Braided Cord Loop Warranty Information

The shadings built with a braided cord loop do not have a reverse roll stop. If a shading is raised above 24" in the reverse roll mode, there is a possibility of the fabric rubbing on the head rail. Comfortex reserves the right NOT to warrant wear and tear of fabric if damaged by roll-up in excess of 24".

# Sheer Horizontal Shadings Head Rail Options

## RETRACTABLE CORD | DESIGNER CASSETTE HEAD RAIL



- Smooth Face Designer Cassette Head Rail**
- Depth of rail and bracket: 3 3/4"
  - Height of rail: 2 3/4"
  - Height of bracket: 1"
- Fabric Insert Designer Cassette Head Rail**
- Depth of rail and bracket: 3 3/4"
  - Height of rail: 2 7/8"
  - Height of bracket: 1"

| Hardware Features   |  |
|---|--|
| Standard Designer Cassette  | Choose from coordinating Fabric Insert or painted Smooth Face rail. Default head rail color is White or Ivory based on shading vane color.           |
| Bottom Rail Color   | Color coordinated rail with White/Ivory head rail. Bottom rail will be matched to Oil Rubbed Bronze or Onyx Black when metallic upgrade is selected. |
| Upgrades  |  |
| Designer Metallic Upgrade (Fabric Insert/Smooth Face)                     | <ul style="list-style-type: none"> <li>• Oil Rubbed Bronze</li> <li>• Onyx Black</li> <li>• Brushed Nickel</li> </ul>                                |
| Mounting Dimensions   |  |
| Finished Dimensions   |  |
| Mounting and Finished Dimensions are the same as Cord Loop<br>See Page 16 |  |

### Retractable Cord Shadings

The Retractable Cord option is a single cord design that provides easy one hand operation to raise, lower and open and close the vanes.

- Retractable Cord hardware is an alternative to conventional cord loop controls. The short retractable cord maintains a consistent length whether the shadings are raised or lowered. The elimination of cord loop enhances child and pet safety.
- Available with all fabrics with Designer Cassette.
- White, black or bronze cord and tassel coordinates your hardware color choice.
- Standard cord length is 2/3 the length of the shading. Cord may be shortened to match consumer operating preferences and to keep out of reach of children. Cord length can be easily modified in the field.
- Mounting a cord tensioner is not necessary.

### Overall Operation

When raising and lowering the shading, pull the cord down in long, even strokes. Allow the cord to fully retract into the head rail after each downward stroke.

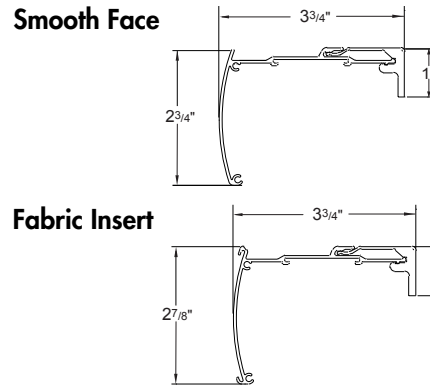
### To Lower The Shading And Open The Vanes

- Pull the cord down toward the center of the shading with long strokes. Continue until the shading is fully lowered and the vanes are open.
- Allow the cord to retract completely into the head rail after each downward stroke.
- The shading can be stopped at any point while lowering

### To Tilt The Vanes And Raise Shading

- Pull the cord straight down or down and slightly out with long strokes. With each stroke the shading partially raises.
- Allow the cord to retract completely into the head rail after each downward stroke.
- Use multiple strokes until the shading reaches the desired position.
- The shading can be stopped at any point while raising.

## Sheer Horizontal Shadings Head Rail Options TWO-ON-ONE | DESIGNER CASSETTE HEAD RAIL



- Smooth Face Designer Cassette Head Rail**
- Depth of rail and bracket: 3 3/4"
  - Height of rail: 2 3/4"
  - Height of bracket: 1"

- Fabric Insert Designer Cassette Head Rail**
- Depth of rail and bracket: 3 3/4"
  - Height of rail: 2 7/8"
  - Height of bracket: 1"

| Hardware Features   |  |
|---|--|
| Standard Designer Cassette  | Choose from coordinating Fabric Insert or painted Smooth Face rail. Default head rail color is White or Ivory based on shading vane color.           |
| Bottom Rail Color   | Color coordinated rail with White/Ivory head rail. Bottom rail will be matched to Oil Rubbed Bronze or Onyx Black when metallic upgrade is selected. |
| Upgrades  |  |
| Designer Metallic Upgrade (Fabric Insert/Smooth Face)                     | <ul style="list-style-type: none"> <li>• Oil Rubbed Bronze</li> <li>• Onyx Black</li> <li>• Brushed Nickel</li> </ul>                                |
| Mounting Dimensions   |  |
| Finished Dimensions   |  |
| Mounting and Finished Dimensions are the same as Cord Loop<br>See Page 16 |  |

### Two-On-One Designer Cassette Head Rail

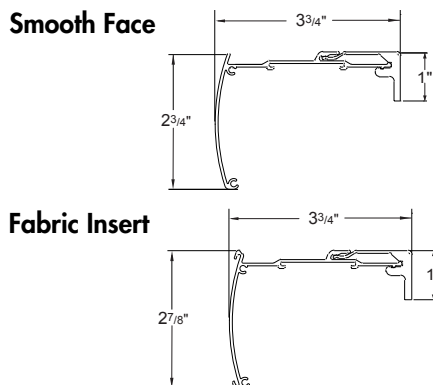
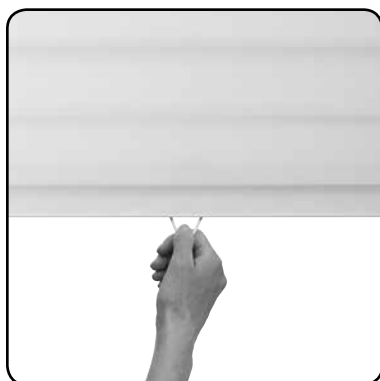
Two-On-One Head Rail shadings are two shadings sharing the same head rail; each shading operates independently.

- Two-On-One Head Rail can be combined with cord loop, PowerTouch Rechargeable, Simplicity Motorization and retractable cord hardware options. Price as two shadings (including upgrades) and add together. Pricing example on page 6.
- Two-On-One not available with cordless.
- Specify shading total width and two individual section widths. **Note:** The two individual sections must add up to the total width.
- Two on One Head Rail Shadings are available with all vane sizes.
- Two on One Head Rail Shadings are available with bead cord or braided cord loop. See page 16 for more information.
- Controls will always be placed to the far left and far right.
- Available in widths up to 140" with Designer Cassette hardware.
- Minimum single section width is 12". Maximum single section width is 102". The center gap between shadings is 3/8".
- Side by side alignment is available if the two panels measure less than 120". Alignment must be specified when the order is placed.
- Shadings over 98" are subject to common carrier surcharge. See page 65 for more information on the freight policy.



# Sheer Horizontal Shadings Head Rail Options

## CORDLESS | DESIGNER CASSETTE HEAD RAIL



- Smooth Face Designer Cassette Head Rail**
- Depth of rail and bracket: 3 3/4"
  - Height of rail: 2 3/4"
  - Height of bracket: 1"
- Fabric Insert Designer Cassette Head Rail**
- Depth of rail and bracket: 3 3/4"
  - Height of rail: 2 7/8"
  - Height of bracket: 1"

| Hardware Features   |   |
|---|---|
| Standard Designer Cassette  | Choose from coordinating Fabric Insert or painted Smooth Face rail. Default head rail color is White or Ivory based on shading vane color.                        |
| Bottom Rail Color   | Color coordinated rail with White/Ivory head rail. Bottom rail will be matched to Oil Rubbed Bronze or Onyx Black when metallic upgrade is selected.              |
| Upgrades  |   |
| Designer Metallic Upgrade (Fabric Insert/Smooth Face)                                     | <ul style="list-style-type: none"> <li>• Oil Rubbed Bronze</li> <li>• Onyx Black</li> <li>• Brushed Nickel</li> </ul>   |
| Mounting Dimensions   |   |
| Designer Cassette Head Rail   |   |
| Minimum Shallow Mount   | 1"  |
| Minimum Flush Inside Mount (including brackets)   | 3 3/4"  |
| Minimum Outside Mount   | 1"  |
| Minimum Side Mount  | 1 1/4"  |
| Maximum Side Mount  | 48"   |
| Finished Dimensions   |   |
| Inside Mount  |   |
|   | <ul style="list-style-type: none"> <li>• Fabric will measure ordered width less: 7/8"</li> <li>• Head rail* will measure ordered width less: 3/16"</li> </ul>     |
| Side (End) Mount  |   |
|   | <ul style="list-style-type: none"> <li>• Fabric will measure ordered width less: 1 3/8"</li> <li>• Head rail* will measure ordered width less: 1 1/16"</li> </ul> |
| Outside Mount   |   |
|   | <ul style="list-style-type: none"> <li>• Fabric will measure ordered width less: 1/2"</li> <li>• Head rail* will measure ordered width plus: 3/16"</li> </ul>     |
| Exact (End Cap to End Cap) Mount  |   |
|   | <ul style="list-style-type: none"> <li>• Fabric will measure ordered width less: 1 1/16"</li> <li>• Head rail* will measure ordered width</li> </ul>              |
| * Head rail measurements include endcaps. Width and length measurements may vary +/- 1/8" |   |

Please Note: Once ordered and manufactured, the width of the Shangri-La fabric cannot be altered. Comfortex makes deductions to the width depending on the type of mounting indicated. For all mounting types, fabric will measure exactly the length ordered when the vanes are in the closed position.

## Sheer Horizontal Shadings

### CORDLESS | DESIGNER CASSETTE HEAD RAIL

#### Cordless Shangri-La Shadings Head Rail

- The Standard Designer Cassette head rail is with white or ivory aluminum with a coordinating fabric insert or Smooth Face.
- Designer Cassette head rail is also available in Oil Rubbed Bronze, Brushed Nickel and Onyx Black.
- Shangri-La Cordless Sheer Horizontal Shadings use quick-snap, no-light-gap brackets.

#### Cordless Shangri-La Shadings Bottom Rail

- Bottom rail includes sliding weight to adjust fabric skewing if necessary.  
**Please note:** On Cordless Shangri-La Shadings the bottom rail is color coordinated to the fabric (not matched to the head rail).

#### Operating A Cordless Shangri-La Shading

Cordless Shangri-La Shadings utilize a roller catch mechanism in the head rail which allows for the vanes to be adjusted into various positions.

#### Operating The Shading

Pull the handle that is attached to the bottom rail until the shading reaches the desired length, allow catch mechanism to engage and lock shade in desired position.

#### To Open Or Close Vanes

Lower the shading all the way down and continue pulling down on the handle until the vanes open. The roller catch mechanism allows the vanes to be adjusted open, closed and to various positions in between.

When adjusting the vane position, release the catch by tugging on the handle, roll up the shading several inches (this resets the catch mechanism), then pull back down to the desired position.

- The Omni-View setting is not available with Shangri-La Cordless Shadings.

#### To Raise The Shading

Pull down on the handle to release the catch mechanism and let the shading rise. Tug the handle to lock the shade in the desired position.

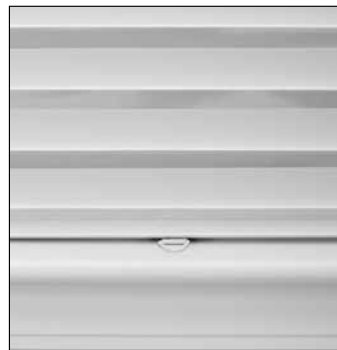
When first learning to operate the shading, it may take a few tries to get the feel of the mechanism.



*Cordless Handle*

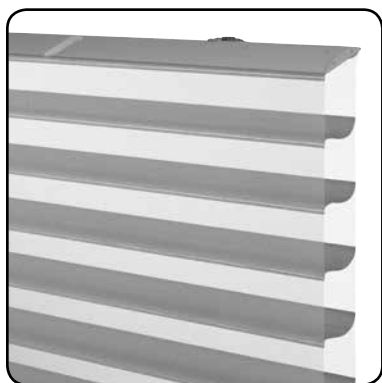


*Cordless Handle Being Pulled Down*



*Cordless Handle on Window Sill*

## Sheer Horizontal Shadings Head Rail Options SHANGRI-LA DOORSTYLES



| <b>Hardware Features</b>  |  |
|---|--|
| Standard Hardware   | Hardware used on DoorStyles Shadings may not match standard shadings.  |
| Bottom Rail Color   | Rails and end caps on Shangri-la DoorStyles Shadings are coordinated to the fabric color.  |
| <b>Upgrades</b>   |  |
| Designer Metallic Upgrade   | DoorStyles<br>Not Available  |
| <b>Mounting Dimensions</b>  |  |
| <b>DoorStyles Hardware</b>  |  |
| Minimum Shallow Mount   | 1 ½"   |
| Minimum Flush Inside Mount (including brackets)   | 2 ⅝"   |
| Minimum Outside Mount   | ¾"   |
| <b>Finished Dimensions</b>  |  |
| <b>Inside Mount</b>   |  |
|   | <ul style="list-style-type: none"> <li>Fabric will measure ordered width less: ⅝"</li> <li>Head rail* will measure ordered width less: ⅜"</li> </ul> |
| <b>Outside Mount</b>  |  |
|   | <ul style="list-style-type: none"> <li>Fabric will measure ordered width</li> <li>Head rail* will measure ordered width plus: ⅜"</li> </ul>          |
| <b>Exact (End Cap to End Cap) Mount</b>   |  |
|   | <ul style="list-style-type: none"> <li>Fabric will measure ordered width less: ⅜"</li> <li>Head rail* will measure ordered width</li> </ul>          |
| * Head rail measurements include endcaps. Width and length measurements may vary +/- ⅛" <b>Side Mount is not available for DoorStyles</b> |  |

Please Note: Once ordered and manufactured, the width of the Shangri-La fabric cannot be altered. Comfortex makes deductions to the width depending on the type of mounting indicated. For all mounting types, fabric will measure exactly the length ordered when the vanes are in the closed position.

# Sheer Horizontal Shadings SHANGRI-LA DOORSTYLES

## Shangri-La DoorStyles Shadings

Shangri-La DoorStyles Shadings cover French doors, transoms and sidelights for a look of sheer perfection without a bulky head rail. They attach to the window frame or door with unobtrusive hinges and tilt open and closed with easy to install hardware. An operating handle allows the fabric to be tilted open and closed (Figure A).

Hardware used on DoorStyle Shadings may not match standard shadings.

### Fabric

All 2" and 3" light filtering and room darkening fabric collections are available as DoorStyle Window Shadings.

DoorStyles are **not** available with 2½" fabrics.

Rails and end caps on Shangri-La DoorStyles Shadings are coordinated to the fabric color.

**Designer Metallic Hardware Upgrade:** Not available with DoorStyles.

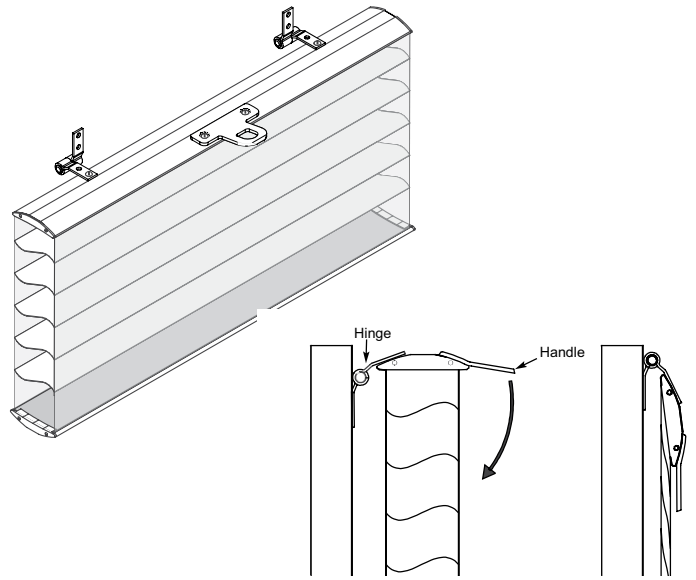
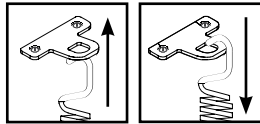


Figure A

### Operating Pole

An operating pole is available for hard to reach windows and doors. Please specify when ordering.



**6 Foot Expandable Pole:** \$65.00

**12 Foot Expandable Pole:** \$79.00

### DoorStyles Shading Specifications

Minimum Width: 6"      Maximum Width: 72"

Minimum Length: 12"      Maximum Length: 72"\*

\*Maximum length varies by width.

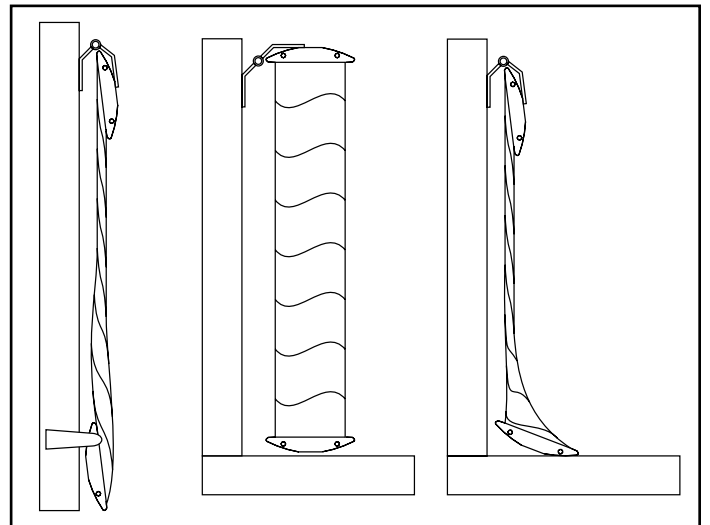
DoorStyles are **not** available with 2½" vane fabrics.

**Please Note:** Once ordered and manufactured, the width of the Shangri-La fabric cannot be altered. Comfortex makes deductions to the width depending on the type of mounting indicated. For all mounting types, fabric will measure exactly the length ordered when the vanes are in the open or "view-through" position.

### Length Considerations With Shangri-La DoorStyles

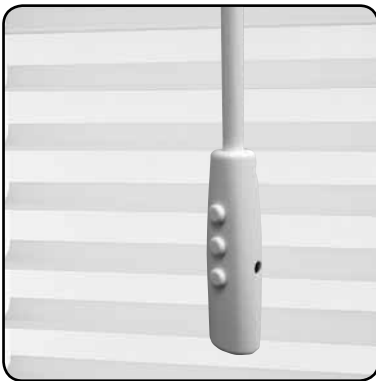
Comfortex will fabricate your Shangri-La DoorStyles to the length ordered when the vanes are in the open (or view through) position. When the vanes are tilted to the closed position, the shading will become 1¾" longer.

When closed on an inside mount or when used with hold down brackets, a slight puckering may occur.

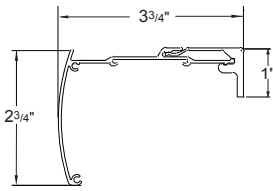


# Sheer Horizontal Shadings Head Rail Options

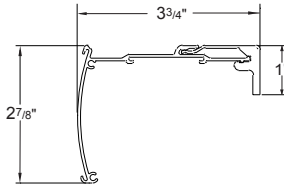
## POWERTOUCH RECHARGEABLE | DESIGNER CASSETTE HEAD RAIL



**Smooth Face**



**Fabric Insert**



**Smooth Face Designer Cassette Head Rail**

- Depth of rail and bracket: 3 3/4"
- Height of rail: 2 3/4"
- Height of bracket: 1"

**Fabric Insert Designer Cassette Head Rail**

- Depth of rail and bracket: 3 3/4"
- Height of rail: 2 7/8"
- Height of bracket: 1"

| <b>Hardware Features</b>  |  |
|---|--|
| Standard Designer Cassette  | Choose from coordinating Fabric Insert or painted Smooth Face rail. Default head rail color is White or Ivory based on shading vane color.                       |
| Bottom Rail Color   | Color coordinated rail with White/Ivory head rail. Bottom rail will be matched to Oil Rubbed Bronze or Onyx Black when metallic upgrade is selected.             |
| <b>Upgrades</b>   |  |
| Designer Metallic Upgrade (Fabric Insert/Smooth Face)                                     | <ul style="list-style-type: none"> <li>• Oil Rubbed Bronze</li> <li>• Onyx Black</li> <li>• Brushed Nickel</li> </ul>  |
| <b>Mounting Dimensions</b>  |  |
| <b>Designer Cassette Head Rail</b>  |  |
| Minimum Shallow Mount   | 1"   |
| Minimum Flush Inside Mount (including brackets)   | 3 3/4"   |
| Minimum Outside Mount   | 1"   |
| Minimum Side Mount  | 1 1/4"   |
| Width Side Mount  | 48" Max width side mount   |
| <b>Finished Dimensions</b>  |  |
| <b>Inside Mount</b>   |  |
|   | <ul style="list-style-type: none"> <li>• Fabric will measure ordered width less: 1"</li> <li>• Head rail* will measure ordered width less: 3/16"</li> </ul>      |
| <b>Side (End) Mount</b>   |  |
|   | <ul style="list-style-type: none"> <li>• Fabric will measure ordered width less: 1 1/2"</li> <li>• Head rail* will measure ordered width less: 11/16"</li> </ul> |
| <b>Outside Mount</b>  |  |
|   | <ul style="list-style-type: none"> <li>• Fabric will measure ordered width less: 5/8"</li> <li>• Head rail* will measure ordered width plus: 3/16"</li> </ul>    |
| <b>Exact (End Cap to End Cap) Mount</b>   |  |
|   | <ul style="list-style-type: none"> <li>• Fabric will measure ordered width less: 13/16"</li> <li>• Head rail* will measure ordered width</li> </ul>              |
| * Head rail measurements include endcaps. Width and length measurements may vary +/- 1/8" |  |

Please Note: Once ordered and manufactured, the width of the Shangri-La fabric cannot be altered. Comfortex makes deductions to the width depending on the type of mounting indicated. For all mounting types, fabric will measure exactly the length ordered when the vanes are in the closed position.

## Sheer Horizontal Shadings

### POWERTOUCH RECHARGEABLE | DESIGNER CASSETTE HEAD RAIL

#### PowerTouch™ Rechargeable Shades

Sheer Shadings can be fabricated with the PowerTouch Rechargeable Push Button Control option. The PowerTouch Rechargeable option is an easy, cord free motorized operation for the budget savvy homeowner. PowerTouch Rechargeable uses Simplicity motors and components.

#### PowerTouch Rechargeable Shades Operation

Press the up or down button on the pendant to raise or lower the shading to your desired position. When the shading is fully lowered to the factory programmed lower limit, the bottom rail will be set in the level position.

No programming is required with PowerTouch™, all programming is set at the factory. Upper and lower limits easily can be adjusted in the field if desired. Please refer to the installation instructions at [comfortextdealers.com](http://comfortextdealers.com). Favorites position can be programmed on-site.

#### PowerTouch Rechargeable Surcharges

See page 6.

#### PowerTouch Appearance

- The PowerTouch Rechargeable wand and pendant is attached to the head rail and requires no additional mounting.
- The wand and pendant hangs down the front of the shades from the head rail. The wand does not touch the fabric.
- Pendant is 2½" long.
- The pendant does not need to be mounted to the wall to operate the shade.



#### PowerTouch Rechargeable Color Options

- Shadings with Black or Oil Rubbed Bronze hardware will be built with black wand and pendants standard. All other colors will use white wand and pendants.



White



Black Shown with Plug-In Charger

#### PowerTouch Wand and Pendant Location

The standard location for the wand and pendant is on the right. Please specify location when ordering.

#### PowerTouch Rechargeable Wand Length

The standard length of the wand will measure the indicated below unless otherwise specified.

| Shading Length | Standard Wand Length |
|----------------|----------------------|
| Up to 30"      | 1' (12")             |
| >30" to 52"    | 2' (24")             |
| >52" to 78"    | 3' (36")             |
| >78" to 100"   | 4' (48")             |
| >100" to 120"  | 5' (60")             |

- Wand length is in 1 foot increments. 1 foot - 5 foot

#### Mounting Requirements for PowerTouch Rechargeable Shadings

- No special installation hardware or wiring requirements are needed.
- The wand and pendant do not need to be mounted to operate the shading.

#### PowerTouch Rechargeable Battery Life

The battery life will vary based on the type of window covering selected, the size and weight of the window covering and the number of times you operate the blind on a daily basis.

#### Battery Charger

8.4 Volt charger requires a standard power outlet to recharge the battery. Must specify charger when ordering a Simplicity PowerTouchRechargeable Shading. The charger plugs into the charger port. The charger is black and comes with a 156" wire. The dimensions are 1⅞" wide x 3¼" length x 1¾" deep.

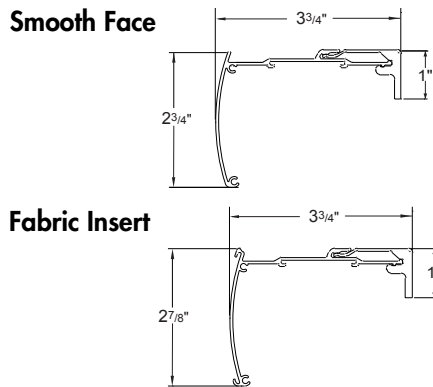


#### PowerTouch Rechargeable Shadings Warranty

Please see page 65 for complete warranty information.

# Sheer Horizontal Shadings Head Rail Options

## SIMPLICITY MOTORIZATION | DESIGNER CASSETTE HEAD RAIL



- Smooth Face Designer Cassette Head Rail**
- Depth of rail and bracket: 3 3/4"
  - Height of rail: 2 3/4"
  - Height of bracket: 1"

- Fabric Insert Designer Cassette Head Rail**
- Depth of rail and bracket: 3 3/4"
  - Height of rail: 2 7/8"
  - Height of bracket: 1"

| Hardware Features   |   |
|---|---|
| Standard Designer Cassette  | Choose from coordinating Fabric Insert or painted Smooth Face rail. Default head rail color is White or Ivory based on shading vane color.                        |
| Bottom Rail Color   | Color coordinated rail with White/Ivory head rail. Bottom rail will be matched to Oil Rubbed Bronze or Onyx Black when metallic upgrade is selected.              |
| Upgrades  |   |
| Designer Metallic Upgrade (Fabric Insert/Smooth Face)                                     | <ul style="list-style-type: none"> <li>• Oil Rubbed Bronze</li> <li>• Onyx Black</li> <li>• Brushed Nickel</li> </ul>   |
| Mounting Dimensions   |   |
| Designer Cassette Head Rail   |   |
| Minimum Shallow Mount   | 1"  |
| Minimum Flush Inside Mount (including brackets)   | 3 3/4"  |
| Minimum Outside Mount   | 1"  |
| Minimum Side Mount  | 1 1/4"  |
| Width Side Mount  | 48" Max width side mount  |
| Finished Dimensions   |   |
| Inside Mount  |   |
|   | <ul style="list-style-type: none"> <li>• Fabric will measure ordered width less: 1"</li> <li>• Head rail* will measure ordered width less: 3/16"</li> </ul>       |
| Side (End) Mount  |   |
|   | <ul style="list-style-type: none"> <li>• Fabric will measure ordered width less: 1 1/2"</li> <li>• Head rail* will measure ordered width less: 1 1/16"</li> </ul> |
| Outside Mount   |   |
|   | <ul style="list-style-type: none"> <li>• Fabric will measure ordered width less: 5/8"</li> <li>• Head rail* will measure ordered width plus: 3/16"</li> </ul>     |
| Exact (End Cap to End Cap) Mount  |   |
|   | <ul style="list-style-type: none"> <li>• Fabric will measure ordered width less: 1 3/16"</li> <li>• Head rail* will measure ordered width</li> </ul>              |
| * Head rail measurements include endcaps. Width and length measurements may vary +/- 1/8" |   |

Please Note: Once ordered and manufactured, the width of the Shangri-La fabric cannot be altered. Comfortex makes deductions to the width depending on the type of mounting indicated. For all mounting types, fabric will measure exactly the length ordered when the vanes are in the closed position.

## Sheer Horizontal Shadings

### SIMPLICITY MOTORIZATION | DESIGNER CASSETTE HEAD RAIL

#### Simplicity Motors

The Simplicity Motor program features a battery powered motor utilizing a single battery wand or plug-in DC transformer. Simplicity motors are compact and use a radio frequency remote to raise or lower the shadings. The Simplicity motor is concealed in the head rail.

See page 28 for information on Simplicity Rechargeable system version.

#### Simplicity Motors With Designer Cassette

No special installation hardware or wiring requirements are needed to install motorized Shangri-La Shadings with Designer Cassette Head Rail. See page 26 for mounting information.

#### Simplicity Battery Wand

The battery wand can be clipped to the Designer Cassette head rail. Can not be mounted on shadings under 25" wide. The battery wand is wall or ceiling mounted utilizing white battery wand clips. The 12 volt battery wand measures 17¼", and comes with eight alkaline batteries, and is white in color. The battery wand must be placed so it does not interfere with the mounting brackets.

The battery wire is 10" long. A 48" extension wire is available.



#### Simplicity Motor Battery Life and Replacement

Eight alkaline batteries are included with the wand. The battery life will vary based on the type of window covering selected, the size and weight of the window covering and the number of times you operate the shade on a daily basis.

Comfortex will warranty batteries for up to 3 months from date of purchase. Batteries are not covered by the warranty.

#### DC Power Supply/Transformer

12 Volt DC power supply/transformer is available and requires a standard power outlet to power the motor. The transformer is an alternative to a battery wand. Each transformer can power a single shading. The power supply must plug in to the motor. The DC power supply is white and comes with a 80" wire. The dimensions are 1⅞" wide x 3¼" long x 1¼" deep. Extension wires are available if needed.



#### Simplicity Motor Hand Held Remotes

##### 5 Channel Remote

The **5 Channel (5C) remote** can operate up to five shadings simultaneously, individually or in groups. **WHEN ORDERING PLEASE SPECIFY WHICH CHANNELS ARE ASSIGNED TO EACH SHADING OR GROUP OF SHADINGS.**

For example; program line 1 to channel 1, line 2 and 3 to channel 2, etc. If no channels are assigned at time of order, all shadings will be programmed to Channel 1.



Simplicity (5C) remotes and holders are black or white in color. The remote comes with a holder which can be mounted to a wall for easy storage. The range of the remote is approximately 80 feet.

##### 6 Channel Timer Remote

The **6 Channel (6C) timer remote** combines the functionality of a six channel hand-held control with the convenience of a programmable timer.

- The 6C timer remote allows for 18 different scheduled actions.
- Manual function disables the timer and the remote then operates as a hand held remote.



Simplicity (6C) remotes and holders are available in white. The remote comes with a holder which can be mounted to a wall for easy storage. The range of the remote is approximately 80 feet.

**WHEN ORDERING PLEASE SPECIFY WHICH CHANNELS ARE ASSIGNED TO EACH SHADING OR GROUP OF SHADINGS.**

For example; program line 1 to channel 1, line 2 and 3 to channel 2, etc. If no channels are assigned at time of order, all shadings will be programmed to Channel 1.

#### Important Simplicity Motorized Shading Operating and Installation Information

Simplicity Motorized Shadings installed into windows with metal casings may have a reduced radio frequency range, or may not operate at all, depending on the application

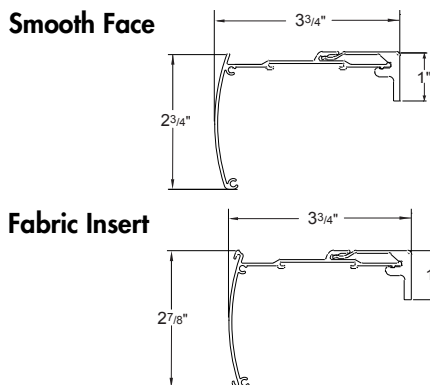
#### Simplicity Battery Operated Motorized Shadings Warranty

Please see page 65 for complete Comfortex warranty information.



# Sheer Horizontal Shadings Head Rail Options

## SIMPLICITY INTEGRATED RECHARGEABLE MOTORIZATION HEAD RAIL



- Smooth Face Designer Cassette Head Rail**
- Depth of rail and bracket: 3 3/4"
  - Height of rail: 2 3/4"
  - Height of bracket: 1"

- Fabric Insert Designer Cassette Head Rail**
- Depth of rail and bracket: 3 3/4"
  - Height of rail: 2 7/8"
  - Height of bracket: 1"

| Hardware Features   |  |
|---|--|
| Standard Designer Cassette  | Choose from coordinating Fabric Insert or painted Smooth Face rail. Default head rail color is White or Ivory based on shading vane color.                       |
| Bottom Rail Color   | Color coordinated rail with White/Ivory head rail. Bottom rail will be matched to Oil Rubbed Bronze or Onyx Black when metallic upgrade is selected.             |
| Upgrades  |  |
| Designer Metallic Upgrade (Fabric Insert/Smooth Face)                                     | <ul style="list-style-type: none"> <li>• Oil Rubbed Bronze</li> <li>• Onyx Black</li> <li>• Brushed Nickel</li> </ul>  |
| Mounting Dimensions   |  |
| Designer Cassette Head Rail   |  |
| Minimum Shallow Mount   | 1"   |
| Minimum Flush Inside Mount (including brackets)   | 3 3/4"   |
| Minimum Outside Mount   | 1"   |
| Minimum Side Mount  | 1 1/4"   |
| Width Side Mount  | 48" Max width side mount   |
| Finished Dimensions   |  |
| Inside Mount  |  |
|   | <ul style="list-style-type: none"> <li>• Fabric will measure ordered width less: 1"</li> <li>• Head rail* will measure ordered width less: 3/16"</li> </ul>      |
| Side (End) Mount  |  |
|   | <ul style="list-style-type: none"> <li>• Fabric will measure ordered width less: 1 1/2"</li> <li>• Head rail* will measure ordered width less: 11/16"</li> </ul> |
| Outside Mount   |  |
|   | <ul style="list-style-type: none"> <li>• Fabric will measure ordered width less: 5/8"</li> <li>• Head rail* will measure ordered width plus: 3/16"</li> </ul>    |
| Exact (End Cap to End Cap) Mount  |  |
|   | <ul style="list-style-type: none"> <li>• Fabric will measure ordered width less: 13/16"</li> <li>• Head rail* will measure ordered width</li> </ul>              |
| * Head rail measurements include endcaps. Width and length measurements may vary +/- 1/8" |  |

Please Note: Once ordered and manufactured, the width of the Shangri-La fabric cannot be altered. Comfortex makes deductions to the width depending on the type of mounting indicated. For all mounting types, fabric will measure exactly the length ordered when the vanes are in the closed position.

## Sheer Horizontal Shadings

### SIMPLICITY INTEGRATED RECHARGEABLE MOTORIZATION HEAD RAIL

#### Simplicity Rechargeable Motors

The Rechargeable Simplicity Motor program features an integrated rechargeable lithium ion battery in the motor casing and is fully concealed by the roller tube.

#### PowerTouch Integrated Rechargeable Surcharges

See page 8 for shading standards and page 6 for surcharges and pricing example.

#### Simplicity Rechargeable Motors

No special installation hardware or wiring requirements are needed to install motorized Shangri-La Shadings with Designer Cassette Head Rail. No external battery wand is required. See page 28 for mounting information.

#### Rechargeable Simplicity Motor Batteries

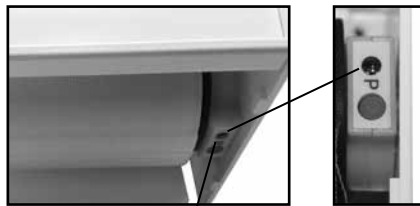
The battery for the integrated rechargeable simplicity motor system is integrated within the motor casing and is fully concealed by the roller tube.

Rechargeable battery comes fully charged from the factory.

#### Integrated Rechargeable Motor Battery Life

Rechargeable battery is included with the motor.

The average battery charge will last 6-12 months based on an average sized shade raised and lowered once per day. The life of the battery charge will vary based on the type of window covering selected, the size and weight of the window covering and the number of times the shade is operated on a daily basis.



Charging Port

Close-Up

The battery can be recharged up to 500 times. It takes approximately 5 hours to recharge the motor when fully depleted.

#### Integrated Rechargeable Motor Battery Charger

An 8.4 Volt charger requires a standard power outlet to recharge the battery. The charger must be specified when ordering an Integrated Rechargeable Simplicity Motorized shade. The charger plugs into the charging port of the motor. Required with Integrated Shading order. Sold separately.



The charger is black and comes with a 15/16" wire. The dimensions are 1" wide x 2 1/2" length x 1 3/4" deep.

#### Simplicity Motor Hand Held Remotes

**IMPORTANT:** Simplicity Rechargeable Motorized Shadings are programmed at the factory with the "up and down" limits. The shades are **UNLINKED** from the remote so they are not able to operate during shipping. Each shade should be installed **before** linking it to the remote.

#### 5 Channel Remote

The **5 Channel (5C) remote** can operate up to five shadings simultaneously, individually or in groups.

Simplicity (5C) remotes and holders are black or white in color. The remote comes with a holder which can be mounted to a wall for easy storage. The range of the remote is approximately 80 feet.



#### 6 Channel Timer Remote

The **6 Channel (6C) timer remote** combines the functionality of a six channel hand-held control with the convenience of a programmable timer.

- The 6C timer remote allows for 18 different scheduled actions.
- Manual function disables the timer and the remote then operates as a hand held remote.

Simplicity (6C) remotes and holders are available in white. The remote comes with a holder which can be mounted to a wall for easy storage. The range of the remote is approximately 80 feet.



#### Please Note:

- Not all motors run at the same rate of speed.
- Simplicity motors have a "Favorites" or "MY" position setting. If the homeowner wants to set several shadings at the same intermediate position, follow instructions provided with installation manual.
- **WHEN ORDERING THE NEW INTEGRATED RECHARGEABLE, PLEASE ORDER THE NECESSARY BATTERY CHARGER.**

## Sheer Horizontal Shadings

### SIMPLICITY INTEGRATED RECHARGEABLE MOTORIZATION HEAD RAIL

#### Important Information about Integrated Rechargeable Simplicity Motor Shading Operation and Installation

- Simplicity Motorized Shadings installed into windows with metal casings may have a reduced radio frequency range, or may not operate at all, depending on control.
- Be mindful of when your shade starts to slow down during operation. It is a good indicator the shade needs to be recharged.

#### Retrofit Existing Standard Simplicity Motorized Shadings with Rechargeable Batteries

Sheer shadings made with Standard Simplicity Motorization can be retrofitted with the NEW Rechargeable Simplicity Motorization External Battery Wand. The Rechargeable battery wand is 22" long, comes with 10 NiMH batteries, and is white in color. Battery wands are charged at the factory.

To retrofit the rechargeable battery wand to an existing shading with a cassette head rail, you must have at least 24" between bracket centerlines to fit the battery wand. Otherwise, the wand must be placed elsewhere along the window. Wall mounting clips are provided with the wand.

#### Retrofit Ordering Requirements:

- Rechargeable battery wand with clips (one per shade)
- Rechargeable battery charger (one or more per order, or as needed)
- Charging port mounting base (optional)

Please contact customer service for more information.



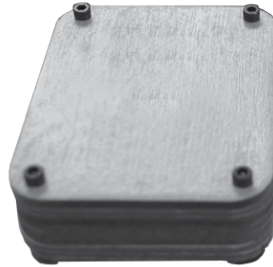
Battery Wand for Rechargeable Simplicity

#### Simplicity Battery Operated Motorized Shadings Warranty

Please see page 65 for complete Comfortex warranty information.



# Sheer Shadings Motorization Option SIMPLICITY SMART CONTROLLER



### Simplicity Smart Controller Dimensions

- Width of controller: 2<sup>3</sup>/<sub>8</sub>"
- Length of controller: 2<sup>1</sup>/<sub>16</sub>"
- Height of controller: 1<sup>1</sup>/<sub>8</sub>"

## Simplicity Smart Controller

- Works with Apple and Android devices
- FREE Downloadable Application
- Compatible with previously installed Simplicity Remote Controlled Shades
- Powered by NEO Smart Blinds App.

### Simplicity Smart Controller

The Simplicity Smart Controller is a small device that you install in your home that allows you to set automatic opening and closing times for all Simplicity motorized shades as well as the ability to control your motorized shades from a phone, tablet or PC anywhere in world.

The Simplicity Smart Controller will work with any Comfortex motorized shade with Simplicity Remote Controlled motors purchased after 2012.

The Simplicity Smart Controller plugs into a standard electrical outlet and connects to WiFi and sends signals to your shades using the same radio frequencies as a normal remote control.

### How Does The NEO Smart Blinds App Work?

The app uses WiFi or cellular data to send commands over the internet to the Simplicity Smart Controller.

### Do I Need Any Other Equipment?

Yes, The location where your shades are installed must have WiFi in order for the Simplicity Smart Controller to work. Additionally, you must have a smartphone or tablet running Android or iOS (eg. iPhone, iPad, Samsung Galaxy S7) and have the NEO Smart Blinds app. installed.

### Why Would I Want A Simplicity Smart Controller?

There are 2 main ways the Simplicity Smart Controller adds additional value to your motorized shades. First, once all of your shades have been added you can use your smartphone as a single remote for all of your shades. It will work anywhere you are regardless of distance from the shade. Secondly, the device allows you to set schedules so your motorized shades automatically open and close without needing to do anything on a day to day basis.

### Do I Need To Buy More Than 1 Controller?

The normal use for the Simplicity Smart Controller is to plug it in out of the way and forget it. Since it has roughly the same range as a remote you will want enough devices to allow all shades to be operated without moving the controller. So depending on the layout of the home and location of the shade, you might want multiple devices to have convenient full home coverage.

### How Far Is The Range Of A Controller?

You should see a range of approximately 150 ft. However this number might be less depending on the layout of your home. In general we recommend one per a floor of a normal sized home.

### Can I Control My Shades From Multiple Devices?

Yes! You can download the NEO Smart Blinds app onto multiple devices, After installing the app on a new device simply log in with the same email/password on each device and you will have access to control your shades.

### Can It Be Used With Already Installed Shades?

Yes! Simply follow the directions in the NEO Smart Blinds app to add a shade. At the pairing step you can put the shade in pairing mode using the primary remote control for it (or by accessing the button on the shades motor). Adding the shade to the NEO Smart Blinds app will not affect the normal remote operation.

### How Much Does The NEO Smart Blinds App Cost?

The app is a free download, However you must have at least one Simplicity Smart Controller (\$330) to serve as a bridge between the app and your Shades.

## Certified Fabrics | GREENGUARD® Fabrics

GREENGUARD Environmental Institute has established performance based standards to define goods with low chemical and particle emissions for use indoors.

The Shangri-La fabrics have the passed GREENGUARD Indoor Air Quality Certified® certification program for low emitting interior building materials, furnishings, and finish systems.

## Flame Resistance

Shangri-La fabric may be processed with a topical treatment to resist flames and adhere to strict flammability codes. For more information, contact Customer Service at (800) 843-4151.

## UV Protection

Ultraviolet light, entering the home as sunlight, damages furnishings. In time it fades wood floors, furniture, upholstery, draperies, carpeting and artwork. Prolonged exposure to sunlight causes natural, undyed fabrics to turn yellow, weakening their fibers and making them look old and worn prematurely.

The right window covering can be very effective in blocking ultraviolet rays. Such effectiveness is measured in terms of a "% UV blockage" rating. The higher the rating, the greater the UV protection.

Shangri-La fabrics have the following UV Protection ratings:

|                         |              |    |
|-------------------------|--------------|----|
| Light Filtering Fabrics | Open Vanes   | 87 |
| Room Darkening Fabric   | Open Vanes   | 88 |
| All Fabrics             | Closed Vanes | 99 |

## Vane Closure

Shangri-La vanes are not designed to close tightly. The inherent nature of the fabric will cause a slight increase in the distance from the front sheer to back sheer as you move further down the shading. These vanes do not form a perfect seal against light leakage which is most visible toward the bottom of the shading. Vane overlap ensures that privacy is not compromised.



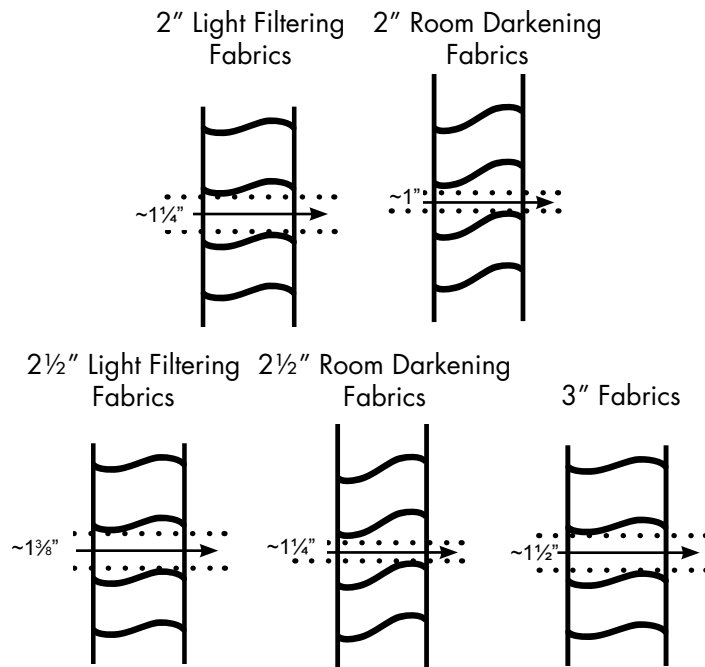
Vane closure is measured as the distance between the front and rear fabric sheers 6" up from the lowest point of the bottom rail, with the shading fully lowered and the vanes closed.

On light filtering fabrics, the maximum distance from the front sheer to the back sheer when closed is equal to or less than 5/8" for shadings under 60" and 7/8" for shadings longer than 60". On room darkening fabrics, the distance is 3/8" regardless of shading length.

On all 3" fabrics, the distance is equal to or less than 1".

## Vane Opening and Visibility

Vaness on the three styles of Shangri-La fabrics open to slightly different degrees. Consequently, there are variations in visibility through the shadings when the vanes are tilted to their maximum open positions. The variations among the products are shown in the below illustration when looking through the shading 1/4 of the way up from the bottom.



## Magnetic Hold-Down Brackets

Optional magnetic hold-down brackets secure the bottom of the shading to prevent swaying. Please specify when ordering.



## Extension Brackets

Extension or "L" brackets are available to project the back of the shading from the mounting surface. The extension brackets for Designer Cassette head rail projects it 3".

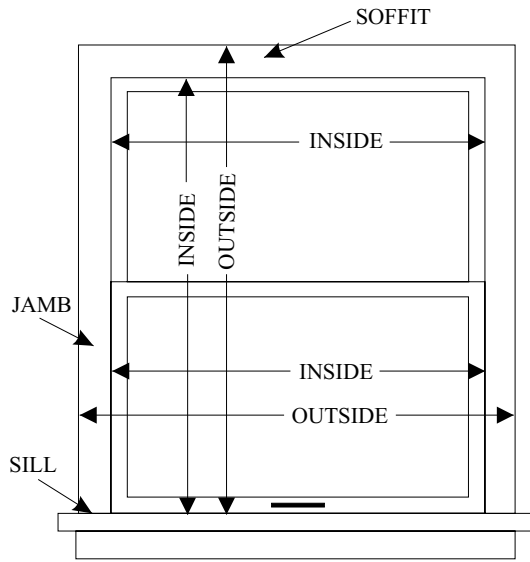
## Spacer Blocks

Spacer blocks project the shading 3/8" from the mounting surface. Use spacer blocks to obtain clearance when obstructions, such as window cranks or door handles, obstruct the movement of the shading.

## Leveling Shangri-La Sheer Shadings

Shangri-La Window Shadings are leveled and weighted in the factory. When installed level, the fabric will not skew when raised. If the head rail is not installed level, skewing can occur that can damage the edge of the fabric. Be sure to follow the installation instructions carefully to ensure correct and balanced operation.

## Measuring Instructions for Sheer Shadings



### Important Measuring Guidelines for Sheer Shadings. Comfortex accepts measurements down to 1/16" increments.

Precise width and length measurements are critical. Fabric width cannot be altered after the shading is fabricated.

Please use a metal tape measure for accuracy.

The head rail must be installed perfectly level to ensure smooth operation. On an inside mount, it is recommended that you check to see that the mounting surface is level and consistent. If your soffit needs to be leveled, this should be done before measuring.

### Inside Mount

Measure across the width of your window opening in three different places - top, middle and bottom. Measurements should be taken within the window jamb. Provide the smallest of the three measurements to Comfortex. Be exact. Comfortex will make the necessary deductions to fit the window opening.

Measure the length of the window opening from the underside of the soffit to the surface of the window sill in two places - use the smallest of these two measurements.

### Outside Mount

Measure the exact width and length of the area to be covered. On the width, allow at least 1 1/2" of an overlap on each side. An overlap of 3" on each side is recommended. Be sure to take into consideration any obstructions such as window trim, molding, locks and window cranks.

### Side Mount

**Side mount is not available with DoorStyles Shadings.**

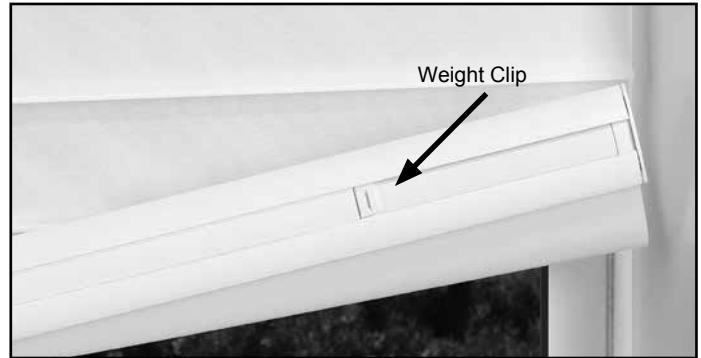
Shangri-La may be side mounted using "L" brackets. For side mounts, follow the instructions for inside mounts. An additional 1/2" will be taken off the standard inside mount deduction to allow room for the "L" brackets.

The maximum shading width utilizing the side mount option is 48".

## Skew Adjusting Bottom Rail

After installation, windows that are not square and level may cause the shadings to shift to one side as it rolls up, requiring adjustment of the bottom rail. If the brackets are not level it may be necessary to adjust the bottom rail weight.

- To access the bottom rail weight, release the weight clip on the bottom rail by using a flat blade screwdriver. Insert it into the weight clip in the bottom rail and turn clockwise.
- Move the weight in 1" increments toward the side where the fabric is gathering.
- Secure the weight clips in position by turning them counterclockwise after making the adjustment.



## Cleaning and Care

Shangri-La Shadings are made from a sturdy, knitted polyester fabric which can be feather dusted or vacuumed at a low setting. Spots or stains can be lightly rubbed clean with a damp sponge and mild soap. To avoid discoloration of the material, we recommend against the use of chemical cleaners.

Precautions should be taken to reduce exposure to harsh environmental elements, such as salt air. Continuous exposure to salt air through open windows and doors will accelerate fabric deterioration over time.

**Important:** Do not clean the fabric using electrostatic wipes such as Swiffer® or Pledge Grab-It®.

## Ultrasonic Cleaning

Shangri-La Shadings can be ultrasonically cleaned. Adco OnSite Fabricare provides shading and blind cleaning services. For more information, visit [www.AdcoOnSite.com](http://www.AdcoOnSite.com). Comfortex acknowledges these cleaning methods as being safe and effective. We cannot attest to the quality of equipment or services provided by any independent cleaning facility.

For additional advice on care or cleaning, please contact the Comfortex Technical Service Department at 800-843-4151.

## Child Safety

Please see page 64 for child safety information.

## Sheer Horizontal Shadings HIGHLIGHTS CORNICE VALANCE



### Highlights Cornice Valances

Elevate your windows to a whole new level of design with the Highlights Cornice Valance. Coordinate with other design elements in your room. Add a finishing touch to the top of any window treatment.

The Highlights Cornice Valance is versatile and beautiful at a price point that won't leave you wondering how to cover the rest of your windows!

Choose from any fabric in our Envision™ and PERSONA™ line and customize the valance with our 7 available return sizes to best fit your application.

Easy assembly and quick installation, with the Highlights Cornice Valance, more beautiful windows are within your reach.

Refer to your Envision price list for pricing and specifications.






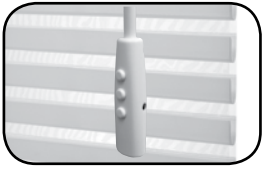
## Soft Tones Shadings



- Soft Tones Sheer Shadings incorporate solid and sheer front fabrics with solid horizontal vanes that provide multiple levels of the light control.
- In the closed position, the fabric allows softly diffused light and offers full privacy.
- In the open position, the vanes filters light through the sheers for gentle illumination.
- Use the cordless PowerTouch or motorized hardware options for a cord free, child safe option.
- Soft Tones Sheer Shadings can be raised up and out of sight into the Designer Cassette Head Rail.
- Soft Tones Sheer Shadings may be ultrasonically or traditionally cleaned to stay bright and beautiful.
- A Limited Lifetime Warranty serves as a commitment to your satisfaction.



# Soft Tones Sheer Shadings Hardware Options

|   | Key Features   | Color Options  | Hardware Size (Depth x Height)                                | Shade Size Available                               | More Information |
|---|--|--|---|--|------------------|
| <p><b>Cord Loop</b></p>                                | <ul style="list-style-type: none"> <li>• Cord Loop makes operation easy</li> <li>• Smooth &amp; quiet operation</li> <li>• White, black or bronze loop cord matches your hardware choice.</li> </ul>   | <ul style="list-style-type: none"> <li>• White</li> <li>• Black</li> <li>• Bronze</li> </ul>   | <p>Smooth Face: 3¾" x 2⅞"</p> <p>Fabric Insert: 3¾" x 2¾"</p> | <p>Width: 12" to 96"</p> <p>Length: 12" to 96"</p> | Page 38          |
| <p><b>Simplicity Motorization</b></p>                  | <ul style="list-style-type: none"> <li>• Raise &amp; lower shade with click of a button</li> <li>• Great for large and hard to reach windows</li> <li>• Remote can operate multiple shades</li> </ul>  | <ul style="list-style-type: none"> <li>• Designer Cassette options</li> <li>• 5 Channel Remote</li> <li>• 6 Channel Remote with Timer</li> </ul> | <p>Smooth Face: 3¾" x 2⅞"</p> <p>Fabric Insert: 3¾" x 2¾"</p> | <p>Width: 12" to 96"</p> <p>Length: 12" to 96"</p> | Page 42          |
| <p><b>Simplicity Rechargeable Motorization</b></p>     | <ul style="list-style-type: none"> <li>• Features a battery powered motor utilizing an integrated rechargeable battery</li> <li>• Raise &amp; lower shading with click of a button</li> <li>• Great for large and hard to reach windows</li> <li>• Remote can operate multiple shades</li> </ul> | <ul style="list-style-type: none"> <li>• Designer Cassette options</li> <li>• 5 Channel Remote</li> <li>• 6 Channel Remote with Timer</li> </ul> | <p>Smooth Face: 3¾" x 2⅞"</p> <p>Fabric Insert: 3¾" x 2¾"</p> | <p>Width: 12" to 96"</p> <p>Length: 12" to 96"</p> | Page 44          |
| <p><b>PowerTouch Rechargeable Cordless Wand</b></p>  | <ul style="list-style-type: none"> <li>• Raise &amp; lower shading with push of a button</li> <li>• Eliminate the need to stand by the shading to operate; just touch and go</li> <li>• Favorite position button</li> <li>• Rechargeable battery pack with recharge port on pendant</li> </ul>   | <ul style="list-style-type: none"> <li>• Wand and pendant available in white or black</li> </ul>   | <p>Smooth Face: 3¾" x 2⅞"</p> <p>Fabric Insert: 3¾" x 2¾"</p> | <p>Width: 12" to 96"</p> <p>Length: 12" to 96"</p> | Page 40          |

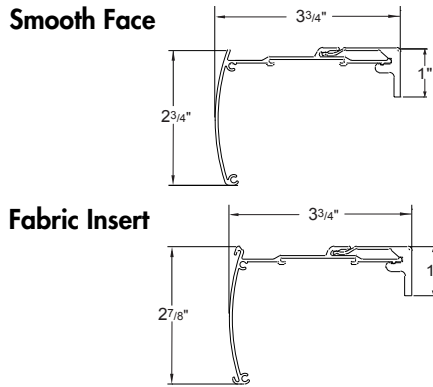
## Soft Tones Sheer Shading Size Standards

|                   |                              | Cord Loop | Simplicity Motorization |              | PowerTouch Rechargeable |
|-------------------|------------------------------|-----------|-------------------------|--------------|-------------------------|
|                   |                              |           | Standard                | Rechargeable |                         |
| <b>Soft Tones</b> | Minimum Width                | 12"       | 14"                     | 18"          | 18"                     |
|                   | Minimum Length               | 12"       | 12"                     | 12"          | 12"                     |
| <b>MAXIMUMS</b>   |                              |           |                         |              |                         |
| <b>Soft Tones</b> | Maximum Width                | 96"       | 96"                     | 96"          | 96"                     |
|                   | Maximum Length               | 96"       | 96"                     | 96"          | 96"                     |
|                   | Maximum Width for Side Mount | 48"       | 48"                     | 48"          | 48"                     |

**Please Note:** Once ordered and manufactured, the width of the Soft Tones fabric cannot be altered. Comfortex makes deductions to the width of Soft Tones Shadings depending on the type of mounting indicated. For all mounting types, the fabric will measure exactly the length ordered when the shading is fully lowered and the vanes are in the closed position.

# Soft Tones Sheer Shadings Head Rail Options

## CORD LOOP | DESIGNER CASSETTE HEAD RAIL



### Smooth Face Designer Cassette Head Rail

- Depth of rail and bracket: 3 3/4"
- Height of rail: 2 3/4"
- Height of bracket: 1"

### Fabric Insert Designer Cassette Head Rail

- Depth of rail and bracket: 3 3/4"
- Height of rail: 2 7/8"
- Height of bracket: 1"

### Hardware Features

|                            |  |
|----------------------------|--|
| Standard Designer Cassette | Choose from coordinating Fabric Insert or painted Smooth Face rail. Default head rail color is White or Ivory based on shading vane color.           |
| Bottom Rail Color          | Color coordinated rail with White/Ivory head rail. Bottom rail will be matched to Oil Rubbed Bronze or Onyx Black when metallic upgrade is selected. |

### Upgrades

|   |   |
|---|---|
| Designer Metallic Upgrade (Fabric Insert/Smooth Face) | <ul style="list-style-type: none"> <li>• Oil Rubbed Bronze</li> <li>• Onyx Black</li> </ul> |
|---|---|

### Mounting Dimensions

#### Designer Cassette Head Rail

|   |        |
|---|--------|
| Minimum Shallow Mount                           | 1"     |
| Minimum Flush Inside Mount (including brackets) | 3 3/4" |
| Minimum Outside Mount                           | 1"     |
| Minimum Side Mount                              | 1 1/4" |

### Finished Dimensions

#### Inside Mount

- Fabric will measure ordered width less: 1"
- Head rail\* will measure ordered width less: 3/16"

#### Side (End) Mount

- Fabric will measure ordered width less: 1 1/2"
- Head rail\* will measure ordered width less: 1 1/16"

#### Outside Mount

- Fabric will measure ordered width less: 5/8"
- Head rail\* will measure ordered width plus: 3/16"

#### Exact (End Cap to End Cap) Mount

- Fabric will measure ordered width less: 13/16"
- Head rail\* will measure ordered width

\* Head rail measurements include endcaps. Width and length measurements may vary +/- 1/8"

**Please Note:** Due to variations in fabric weave and environmental conditions, the finished dimensions for both width and length may vary, plus or minus 1/8", from your order measurements.

## Soft Tones Sheer Shadings

### DESIGNER CASSETTE HEAD RAIL HARDWARE SYSTEM | SPECIFICATIONS

#### Soft Tones Sheer Shadings

Soft Tones Shadings incorporate solid and sheer front fabrics with 5½" solid fabric vanes. By aligning the sheer or the solid portion of the fabric, you can control the amount of light that enters the room.

Soft Tones Shadings feature the Designer Cassette Head Rail. Choose from Fabric Insert or Smooth Face.

#### Soft Tones Sheer Shadings Surcharges

See page 6 for surcharges.

#### Length Considerations

Comfortex will fabricate your Soft Tones Shadings to the exact length ordered +/- 1/8". The vanes will be in the closed position when the shading is at its full ordered length.

#### Fabric Positions

Soft Tones Shadings cord loop control provides the ability to manipulate the shading into various viewing positions. There are variations in light control when the solid and sheer horizontal front fabrics and the 5½" vanes are moved into different positions. The following can be obtained with standard shading operation when viewing the shading at eye level.

- **Fully private:** When lowered completely, Soft Tones provides complete privacy and softly diffused light.
- **Partially open:** Opening Soft Tones slightly will gradually increase the level of light and allow varying levels of view through.
- **View-through when lowered:** By completely opening the vanes, Soft Tones provides a softened, veiled view to the outside.
- Soft Tones can be rolled up in reverse. Comfortex recommends that you do not raise the shading more than 24" off this sill in this mode, refer to page 68 for warranty information.

#### Side By Side Alignment

When Soft Tones Shadings are installed side-by-side, vane alignment can be guaranteed within 1/4" only if:

- The shadings are the same color and ordered at the same time.
- The sum total of the widths of all shadings needing alignment is less than 96".
- Side-by-side lineup is specified when the order is placed.

#### Product Attributes

Due to the nature of fine woven fabrics, some minor waviness, creases, or bowing may occur. This is considered normal.

#### Soft Tones Shadings Operation

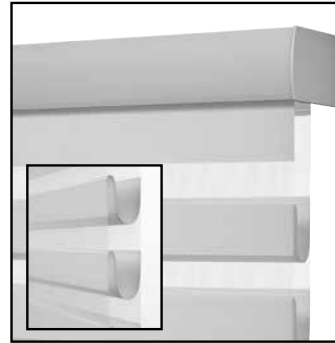


Figure A

By using the cord loop, users can adjust the solid and sheer horizontal front fabrics and 5½" vanes to control the amount of incoming light and the view-through effect (Figure A).

Soft Tones vanes form a "U" shape when the shading is in the open position.



Figure B

**Please Note:** When the Soft Tones Shadings is fully lowered and in the open position, the back of the fabric will hang lower than the bottom rail (Figure B) but will not touch the sill.



Figure C

When in the closed position, Soft Tones fabric diffuses incoming light, providing a warm glow. The vanes will be in the closed position when the shading is at its full ordered length (Figure C).

#### Soft Tones Shading Cord Information

A braided cord is used to raise and lower the shading. The cord color will match your hardware choice.

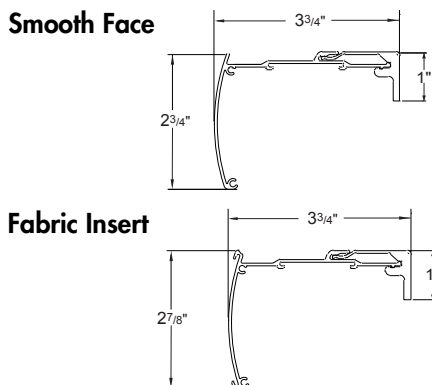
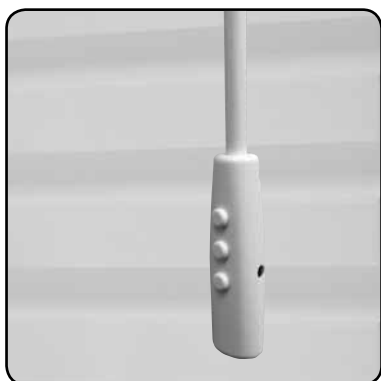
The cord loops will measure the length indicated below unless otherwise specified.

| Shading Length | Standard Loop |
|----------------|---------------|
| 12" to 26 7/8" | 1' (12")      |
| 27" to 39 7/8" | 2' (24")      |
| 40" to 59 7/8" | 3' (36")      |
| 60" to 83 7/8" | 4' (48")      |
| 84" to 96"     | 5' (60")      |

The continuous cord loop can be ordered in custom lengths in 1' increments only. Maximum cord length is 8 feet. Cord tensioner matches your hardware choice (white, black or bronze).

# Soft Tones Sheer Shadings Hardware Options

## POWERTOUCH RECHARGEABLE | DESIGNER CASSETTE HEAD RAIL



- Smooth Face Designer Cassette Head Rail**
- Depth of rail and bracket: 3 3/4"
  - Height of rail: 2 3/4"
  - Height of bracket: 1"
- Fabric Insert Designer Cassette Head Rail**
- Depth of rail and bracket: 3 3/4"
  - Height of rail: 2 7/8"
  - Height of bracket: 1"

| Hardware Features   |  |
|---|--|
| Standard Designer Cassette  | Choose from coordinating Fabric Insert or painted Smooth Face rail. Default head rail color is White or Ivory based on shading vane color.                       |
| Bottom Rail Color   | Color coordinated rail with White/Ivory head rail. Bottom rail will be matched to Oil Rubbed Bronze or Onyx Black when metallic upgrade is selected.             |
| Upgrades  |  |
| Designer Metallic Upgrade (Fabric Insert/Smooth Face)                                     | <ul style="list-style-type: none"> <li>• Oil Rubbed Bronze</li> <li>• Onyx Black</li> </ul>  |
| Mounting Dimensions   |  |
| Designer Cassette Head Rail   |  |
| Minimum Shallow Mount   | 1"   |
| Minimum Flush Inside Mount (including brackets)   | 3 3/4"   |
| Minimum Outside Mount   | 1"   |
| Minimum Side Mount  | 1 1/4"   |
| Maximum Width Side Mount  | 48"  |
| Finished Dimensions   |  |
| Inside Mount  |  |
|   | <ul style="list-style-type: none"> <li>• Fabric will measure ordered width less: 1"</li> <li>• Head rail* will measure ordered width less: 3/16"</li> </ul>      |
| Side (End) Mount  |  |
|   | <ul style="list-style-type: none"> <li>• Fabric will measure ordered width less: 1 1/2"</li> <li>• Head rail* will measure ordered width less: 11/16"</li> </ul> |
| Outside Mount   |  |
|   | <ul style="list-style-type: none"> <li>• Fabric will measure ordered width less: 13/16"</li> <li>• Head rail* will measure ordered width</li> </ul>              |
| Exact (End Cap to End Cap) Mount  |  |
|   | <ul style="list-style-type: none"> <li>• Fabric will measure ordered width less: 3/16"</li> <li>• Head rail* will measure ordered width</li> </ul>               |
| * Head rail measurements include endcaps. Width and length measurements may vary +/- 1/8" |  |

Please Note: Once ordered and manufactured, the width of the Soft Tones fabric cannot be altered. Comfortex makes deductions to the width depending on the type of mounting indicated. For all mounting types, fabric will measure exactly the length ordered when the vanes are in the closed position.

## Soft Tones Sheer Shadings

### POWERTOUCH RECHARGEABLE | DESIGNER CASSETTE HEAD RAIL

#### PowerTouch™ Rechargeable Shades

Sheer Shadings can be fabricated with the PowerTouch Rechargeable Push Button Control option. The PowerTouch Rechargeable option is an easy, cord free motorized operation for the budget savvy homeowner. PowerTouch Rechargeable uses Simplicity motors and components.

#### PowerTouch Rechargeable Shades Operation

Press the up or down button on the pendant to raise or lower the shading to your desired position.

No programming is required with PowerTouch™, all programming is set at the factory. Upper and lower limits easily can be adjusted in the field if desired. Favorites position can be programmed on-site. Please refer to the installation instructions at [comfortexdealers.com](http://comfortexdealers.com).

#### PowerTouch Rechargeable Surcharges

See page 6.

#### PowerTouch Appearance

- The PowerTouch Rechargeable wand and pendant is attached to the head rail and requires no additional mounting.
- The wand and pendant hangs down the front of the shades from the head rail. The wand does not touch the fabric.
- Pendant is 2½" long.



#### PowerTouch Rechargeable Color Options

- Shadings with Black or Oil Rubbed Bronze hardware will be built with black wand and pendants standard. All other colors will use white wand and pendants.



White



Black Shown with Plug-In Charger

#### PowerTouch Wand and Pendant Location

The standard location for the wand and pendant is on the right. Please specify location when ordering.

#### PowerTouch Rechargeable Wand Length

The standard length of the wand will measure the indicated below unless otherwise specified.

| Shading Length | Standard Wand Length |
|----------------|----------------------|
| Up to 30"      | 1' (12")             |
| >30" to 52"    | 2' (24")             |
| >52" to 78"    | 3' (36")             |
| >78" to 100"   | 4' (48")             |
| >100" to 120"  | 5' (60")             |

- Wand length is in 1 foot increments. 1 foot - 5 foot

#### Mounting Requirements for PowerTouch Rechargeable Shadings

- No special installation hardware or wiring requirements are needed.
- The wand and pendant do not need to be mounted to operate the shading.

#### PowerTouch Rechargeable Battery Life

The battery life will vary based on the type of window covering selected, the size and weight of the window covering and the number of times you operate the blind on a daily basis.

#### Battery Charger

8.4 Volt charger requires a standard power outlet to recharge the battery. Must specify charger when ordering a Simplicity PowerTouchRechargeable Shading. The charger plugs into the charger port. The charger is black and comes with a 156" wire. The dimensions are 1⅞" wide x 3¼" length x 1¾" deep.

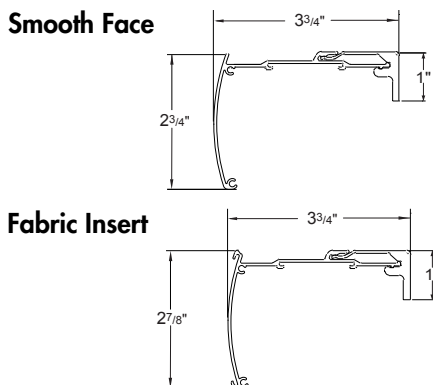


#### PowerTouch Rechargeable Shadings Warranty

Please see page 65 for complete warranty information.

# Soft Tones Sheer Shadings Hardware Options

## SIMPLICITY MOTORIZATION | DESIGNER CASSETTE HEAD RAIL



- Smooth Face Designer Cassette Head Rail**
- Depth of rail and bracket: 3 3/4"
  - Height of rail: 2 3/4"
  - Height of bracket: 1"
- Fabric Insert Designer Cassette Head Rail**
- Depth of rail and bracket: 3 3/4"
  - Height of rail: 2 7/8"
  - Height of bracket: 1"

| Hardware Features   |   |
|---|---|
| Standard Designer Cassette  | Choose from coordinating Fabric Insert or painted Smooth Face rail. Default head rail color is White or Ivory based on shading vane color.                        |
| Bottom Rail Color   | Color coordinated rail with White/Ivory head rail. Bottom rail will be matched to Oil Rubbed Bronze or Onyx Black when metallic upgrade is chosen.                |
| Upgrades  |   |
| Designer Metallic Upgrade (Fabric Insert/Smooth Face)                                     | <ul style="list-style-type: none"> <li>• Oil Rubbed Bronze</li> <li>• Onyx Black</li> </ul>   |
| Mounting Dimensions   |   |
| Designer Cassette Head Rail   |   |
| Minimum Shallow Mount   | 1"  |
| Minimum Flush Inside Mount (including brackets)   | 3 3/4"  |
| Minimum Outside Mount   | 1"  |
| Minimum Side Mount  | 1 1/4"  |
| Maximum Width Side Mount  | 48"   |
| Finished Dimensions   |   |
| Inside Mount  |   |
|   | <ul style="list-style-type: none"> <li>• Fabric will measure ordered width less: 1"</li> <li>• Head rail* will measure ordered width less: 3/16"</li> </ul>       |
| Side (End) Mount  |   |
|   | <ul style="list-style-type: none"> <li>• Fabric will measure ordered width less: 1 1/2"</li> <li>• Head rail* will measure ordered width less: 1 1/16"</li> </ul> |
| Outside Mount   |   |
|   | <ul style="list-style-type: none"> <li>• Fabric will measure ordered width less: 5/8"</li> <li>• Head rail* will measure ordered width plus: 3/16"</li> </ul>     |
| Exact (End Cap to End Cap) Mount  |   |
|   | <ul style="list-style-type: none"> <li>• Fabric will measure ordered width less: 13/16"</li> <li>• Head rail* will measure ordered width</li> </ul>               |
| * Head rail measurements include endcaps. Width and length measurements may vary +/- 1/8" |   |

Please Note: Once ordered and manufactured, the width of the Soft Tones fabric cannot be altered. Comfortex makes deductions to the width depending on the type of mounting indicated. For all mounting types, fabric will measure exactly the length ordered when the vanes are in the closed position.

## Soft Tones Sheer Shadings

### SIMPLICITY MOTORIZATION | DESIGNER CASSETTE HEAD RAIL

#### Simplicity Motors

The Simplicity Motor program features a battery powered motor utilizing a single battery wand or plug-in DC transformer. Simplicity motors are compact and use a radio frequency remote to raise or lower the shadings. The Simplicity motor is concealed in the head rail.

See page 44 for information on Simplicity Rechargeable system version.

#### Simplicity Motors With Designer Cassette

No special installation hardware or wiring requirements are needed to install motorized Shangri-La Shadings with Designer Cassette Head Rail. See page 42 for mounting information.

#### Simplicity Battery Wand

The battery wand can be clipped to the Designer Cassette head rail. Can not be mounted on shadings under 25" wide. The battery wand is wall or ceiling mounted utilizing white battery wand clips. The 12 volt battery wand measures 17¼", and comes with eight alkaline batteries, and is white in color. The battery wand must be placed so it does not interfere with the mounting brackets.

The battery wire is 10" long. A 48" extension wire is available.



#### Simplicity Motor Battery Life and Replacement

Eight alkaline batteries are included with the wand. The battery life will vary based on the type of window covering selected, the size and weight of the window covering and the number of times you operate the shade on a daily basis.

Comfortex will warranty batteries for up to 3 months from date of purchase. Batteries are not covered by the warranty.

#### DC Power Supply/Transformer

12 Volt DC power supply/transformer is available and requires a standard power outlet to power the motor. The transformer is an alternative to a battery wand. Each transformer can power a single shading. The power supply must plug in to the motor. The DC power supply is white and comes with a 80" wire. The dimensions are 1⅞" wide x 3¼" long x 1¼" deep. Extension wires are available if needed.



#### Simplicity Motor Hand Held Remotes

##### 5 Channel Remote

The **5 Channel (5C) remote** can operate up to five shadings simultaneously, individually or in groups. **WHEN ORDERING PLEASE SPECIFY WHICH CHANNELS ARE ASSIGNED TO EACH SHADING OR GROUP OF SHADINGS.**

For example; program line 1 to channel 1, line 2 and 3 to channel 2, etc. If no channels are assigned at time of order, all shadings will be programmed to Channel 1.



Simplicity (5C) remotes and holders are black or white in color. The remote comes with a holder which can be mounted to a wall for easy storage. The range of the remote is approximately 80 feet.

##### 6 Channel Timer Remote

The **6 Channel (6C) timer remote** combines the functionality of a six channel hand-held control with the convenience of a programmable timer.

- The 6C timer remote allows for 18 different scheduled actions.
- Manual function disables the timer and the remote then operates as a hand held remote.



Simplicity (6C) remotes and holders are available in white. The remote comes with a holder which can be mounted to a wall for easy storage. The range of the remote is approximately 80 feet.

#### WHEN ORDERING PLEASE SPECIFY WHICH CHANNELS ARE ASSIGNED TO EACH SHADING OR GROUP OF SHADINGS.

For example; program line 1 to channel 1, line 2 and 3 to channel 2, etc. If no channels are assigned at time of order, all shadings will be programmed to Channel 1.

#### Important Simplicity Motorized Shading Operating and Installation Information

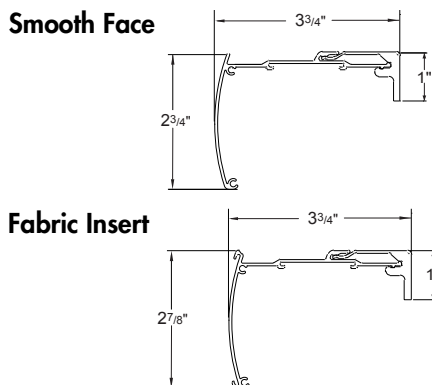
Simplicity Motorized Shadings installed into windows with metal casings may have a reduced radio frequency range, or may not operate at all, depending on the application

#### Simplicity Battery Operated Motorized Shadings Warranty

Please see page 65 for complete Comfortex warranty information.

# Soft Tones Sheer Shadings Hardware Options

## SIMPLICITY INTEGRATED RECHARGEABLE MOTORIZATION



- Smooth Face Designer Cassette Head Rail**
- Depth of rail and bracket: 3 3/4"
  - Height of rail: 2 3/4"
  - Height of bracket: 1"
- Fabric Insert Designer Cassette Head Rail**
- Depth of rail and bracket: 3 3/4"
  - Height of rail: 2 7/8"
  - Height of bracket: 1"

| Hardware Features                                     |   |
|---|---|
| Standard Designer Cassette                            | Choose from coordinating Fabric Insert or painted Smooth Face rail. Default head rail color is White or Ivory based on shading vane color.                        |
| Bottom Rail Color                                     | Color coordinated rail with White/Ivory head rail. Bottom rail will be matched to Oil Rubbed Bronze or Onyx Black when metallic upgrade is selected.              |
| Upgrades  |   |
| Designer Metallic Upgrade (Fabric Insert/Smooth Face) | <ul style="list-style-type: none"> <li>• Oil Rubbed Bronze</li> <li>• Onyx Black</li> </ul>   |
| Mounting Dimensions                                   |   |
| Designer Cassette Head Rail                           |   |
| Minimum Shallow Mount                                 | 1"  |
| Minimum Flush Inside Mount (including brackets)       | 3 3/4"  |
| Minimum Outside Mount                                 | 1"  |
| Minimum Side Mount                                    | 1 1/4"  |
| Minimum Flush Side Mount                              | 1 5/8"  |
| Finished Dimensions                                   |   |
| Inside Mount  |   |
|   | <ul style="list-style-type: none"> <li>• Fabric will measure ordered width less: 1"</li> <li>• Head rail* will measure ordered width less: 3/16"</li> </ul>       |
| Side (End) Mount                                      |   |
|   | <ul style="list-style-type: none"> <li>• Fabric will measure ordered width less: 1 1/2"</li> <li>• Head rail* will measure ordered width less: 1 1/16"</li> </ul> |
| Outside Mount   |   |
|   | <ul style="list-style-type: none"> <li>• Fabric will measure ordered width less: 5/8"</li> <li>• Head rail* will measure ordered width plus: 3/16"</li> </ul>     |
| Exact (End Cap to End Cap) Mount                      |   |
|   | <ul style="list-style-type: none"> <li>• Fabric will measure ordered width less: 13/16"</li> <li>• Head rail* will measure ordered width</li> </ul>               |
|   | * Head rail measurements include endcaps. Width and length measurements may vary +/- 1/8"   |

Please Note: Once ordered and manufactured, the width of the Soft Tones fabric cannot be altered. Comfortex makes deductions to the width depending on the type of mounting indicated. For all mounting types, fabric will measure exactly the length ordered when the vanes are in the closed position.



## Soft Tones Sheer Shadings

### SIMPLICITY INTEGRATED RECHARGEABLE MOTORIZATION HEAD RAIL

#### Simplicity Rechargeable Motors

The Rechargeable Simplicity Motor program features an integrated rechargeable lithium ion battery in the motor casing and is fully concealed by the roller tube.

#### PowerTouch Integrated Rechargeable Surcharges

See page 36 for shading standards and page 6 for surcharges and pricing example.

#### Simplicity Rechargeable Motors

No special installation hardware or wiring requirements are needed to install motorized Shangri-La Shadings with Designer Cassette Head Rail. No external battery wand is required. See page 44 for mounting information.

#### Rechargeable Simplicity Motor Batteries

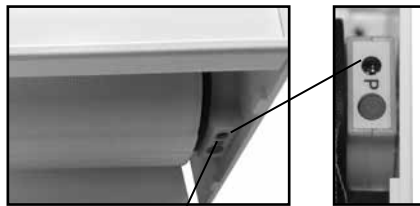
The battery for the integrated rechargeable simplicity motor system is integrated within the motor casing and is fully concealed by the roller tube.

Rechargeable battery comes fully charged from the factory.

#### Integrated Rechargeable Motor Battery Life

Rechargeable battery is included with the motor.

The average battery charge will last 6-12 months based on an average sized shade raised and lowered once per day. The life of the battery charge will vary based on the type of window covering selected, the size and weight of the window covering and the number of times the shade is operated on a daily basis.



The battery can be recharged up to 500 times. It takes approximately 5 hours to recharge the motor when fully depleted.

#### Integrated Rechargeable Motor Battery Charger

An 8.4 Volt charger requires a standard power outlet to recharge the battery. The charger must be specified when ordering an Integrated Rechargeable Simplicity Motorized shade. The charger plugs into the charging port of the motor. Required with Integrated Shading order. Sold separately.



The charger is black and comes with a 15/16" wire. The dimensions are 1" wide x 2 1/2" length x 1 3/4" deep.

#### Simplicity Motor Hand Held Remotes

**IMPORTANT:** Simplicity Rechargeable Motorized Shadings are programmed at the factory with the "up and down" limits. The shades are **UNLINKED** from the remote so they are not able to operate during shipping. Each shade should be installed **before** linking it to the remote.

#### 5 Channel Remote

The **5 Channel (5C) remote** can operate up to five shadings simultaneously, individually or in groups.

Simplicity (5C) remotes and holders are black or white in color. The remote comes with a holder which can be mounted to a wall for easy storage. The range of the remote is approximately 80 feet.



#### 6 Channel Timer Remote

The **6 Channel (6C) timer remote** combines the functionality of a six channel hand-held control with the convenience of a programmable timer.

- The 6C timer remote allows for 18 different scheduled actions.
- Manual function disables the timer and the remote then operates as a hand held remote.

Simplicity (6C) remotes and holders are available in white. The remote comes with a holder which can be mounted to a wall for easy storage. The range of the remote is approximately 80 feet.



#### Please Note:

- Not all motors run at the same rate of speed.
- Simplicity motors have a "Favorites" or "MY" position setting. If the homeowner wants to set several shadings at the same intermediate position, follow instructions provided with installation manual.
- **WHEN ORDERING THE NEW INTEGRATED RECHARGEABLE, PLEASE ORDER THE NECESSARY BATTERY CHARGER.**

## Sheer Horizontal Shadings SIMPLICITY INTEGRATED RECHARGEABLE MOTORIZATION

### Important Information about Integrated Rechargeable Simplicity Motor Shading Operation and Installation

- Simplicity Motorized Shadings installed into windows with metal casings may have a reduced radio frequency range, or may not operate at all, depending on control.
- Be mindful of when your shade starts to slow down during operation. It is a good indicator the shade needs to be recharged.

### Retrofit Existing Standard Simplicity Motorized Shadings with Rechargeable Batteries

Sheer shadings made with Standard Simplicity Motorization can be retrofitted with the NEW Rechargeable Simplicity Motorization External Battery Wand. The Rechargeable battery wand is 22" long, comes with 10 NiMH batteries, and is white in color. Battery wands are charged at the factory.

To retrofit the rechargeable battery wand to an existing shading with a cassette head rail, you must have at least 24" between bracket centerlines to fit the battery wand. Otherwise, the wand must be placed elsewhere along the window. Wall mounting clips are provided with the wand.

#### Retrofit Ordering Requirements:

- Rechargeable battery wand with clips (one per shade)
- Rechargeable battery charger (one or more per order, or as needed)
- Charging port mounting base (optional)

Please contact customer service for more information.



Battery Wand for Rechargeable Simplicity

### Simplicity Battery Operated Motorized Shadings Warranty

Please see page 65 for complete Comfortex warranty information.



## Hardware | Designer Cassette

### Hold Down Brackets

Hold down brackets are made of a clear plastic which fit into holes in the endcap of the bottom rail. The shading **will not** be able to be operated when the bottom rail is connected to the hold down brackets.

### Extension Brackets

Extension or "L" brackets are available to project the back of the shading from the mounting surface. The extension brackets for Designer Cassette projects it up to 3".

### Spacer Blocks

Spacer blocks project the shading  $\frac{3}{8}$ " from the mounting surface. Use spacer blocks to obtain clearance when obstructions, such as window cranks or door handles, obstruct the movement of the shading.

## Cleaning and Care

Soft Tones Sheer Shadings fabric is made from a sturdy, woven polyester fabric which can be feather dusted or vacuumed at a low setting. Spots or stains can be lightly rubbed clean with a damp sponge and mild soap. To avoid discoloration of the material, we recommend against the use of chemical cleaners.

### Ultrasonic Cleaning

Soft Tones Sheer Shadings can be ultrasonically cleaned. Adco OnSite Fabricare provides shading and blind cleaning services. For more information, visit [www.AdcoOnSite.com](http://www.AdcoOnSite.com). Comfortex acknowledges these cleaning methods as being safe and effective. We cannot attest to the quality of equipment or services provided by any independent cleaning facility.

For additional advice on care or cleaning, please contact the Comfortex Technical Service Department at 800-843-4151.

## Child Safety

Please see page 64 for child safety information.

## Highlights Cornice Valance

Please see page 34 for more information.

## Measuring Instructions for Soft Tones Shadings

See page 64 for more information.

# Vertical Sheer Shadings



- Vertical Sheer Shadings combine the elegance and softness of sheer shadings with the light control of vertical blinds giving you unlimited ways to control light.
- Vertical Sheer Shadings are available up to 192" wide and to heights up to 120". Vertical Sheer Shadings are perfect for wide expanses of windows and doors.
- Vertical Sheer Shadings are available in six neutral colors, all made of 100% polyester that is durable yet soft to the touch.
- A combination wand and cord and moving wand operating systems have no dangling cords to ensure child safety.
- For a coordinated look, Vertical Sheer Shadings can be paired with Shangri-La® Sheer Horizontal Window Shadings.
- Our Vertical Sheer Shadings are beautiful and smart with the added benefit of 99% UV protection to protect artwork and home furnishings from the damaging effects of the sun.
- Vertical Sheer Shadings are custom crafted and assembled in the U.S. and backed by the Comfortex Lifetime Guarantee.

## Vertical Sheer Shading Size Standards

|                         |                | Wand/Cord | Moving Wand* |
|-------------------------|----------------|-----------|--------------|
| Vertical Sheer Shadings | Minimum Width  | 12"       | 12"          |
|                         | Minimum Length | 24"       | 24"          |
| <b>MAXIMUMS</b>         |                |           |              |
| Vertical Sheer Shadings | Maximum Width  | 192"      | 144"         |
|                         | Maximum Length | 120"      | 100"         |

**Please Note:** Two side stack shadings (one left and one right) may be abutted to achieve larger maximum widths. This is not recommended with moving wands.

\*Moving wand is only available with outside mount side stack shadings.



### Vertical Shadings Panel Design

Comfortex Vertical Sheer Shadings features contoured sheer fabric columns with soft 3½" fabric vanes attached.

The top of the Vertical Sheer Shadings features a 5¼" fabric header that conceals the hardware.

Choose from light filtering or room darkening vanes.

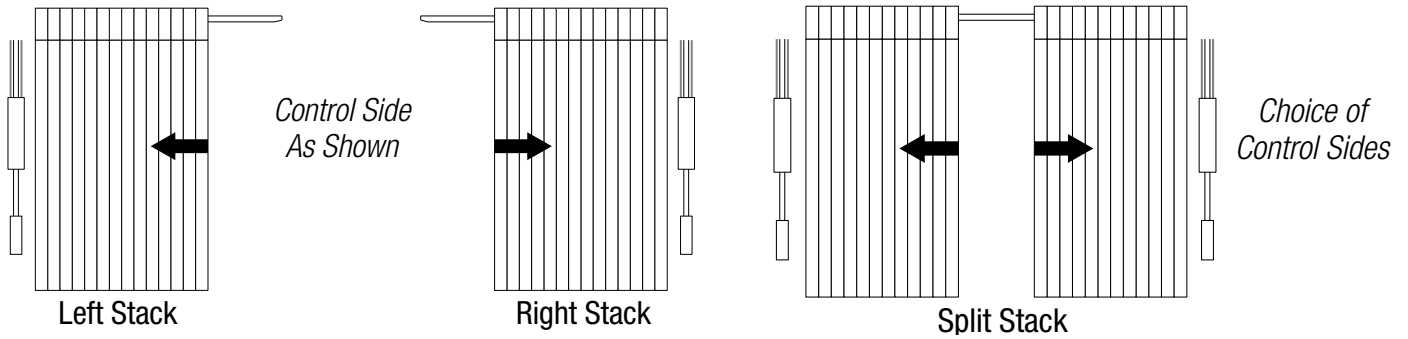
| <b>Finished Dimensions</b>        |   |
|-----------------------------------|---|
| <b>Inside/Ceiling Mount</b>       |   |
| Fabric Width                      | <ul style="list-style-type: none"> <li>Fabric will measure ordered width less: ¼"</li> <li>Side Stack Head rail will measure ordered width less: 1½"</li> <li>Split Stack Head rail will measure ordered width less: 1¼"</li> </ul> |
| Fabric Length                     | <ul style="list-style-type: none"> <li>Fabric will measure ordered length (overall) less: 1"</li> <li>Top Clearance will measure ordered length less: ½"</li> <li>Bottom Clearance will measure ordered length less: ½"</li> </ul>  |
| Fabric Header Height              | <ul style="list-style-type: none"> <li>5¼"</li> </ul>   |
| <b>Outside Mount</b>              |   |
| Fabric Width                      | <ul style="list-style-type: none"> <li>Fabric will measure ordered width</li> <li>Side Stack Head rail will measure ordered width less: 1¼"</li> <li>Split Stack Head rail will measure ordered width less: 1"</li> </ul>           |
| Fabric Length (for top clearance) | <ul style="list-style-type: none"> <li>Fabric will measure ordered length minus: ½"</li> </ul>  |
| Fabric Header Height              | <ul style="list-style-type: none"> <li>5¼"</li> </ul>   |

Please Note: Width and length measurements may vary +/- 1/8"

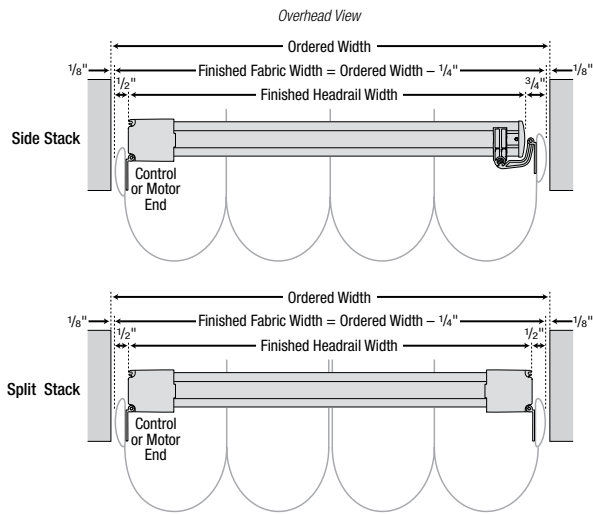


## Product Configurations

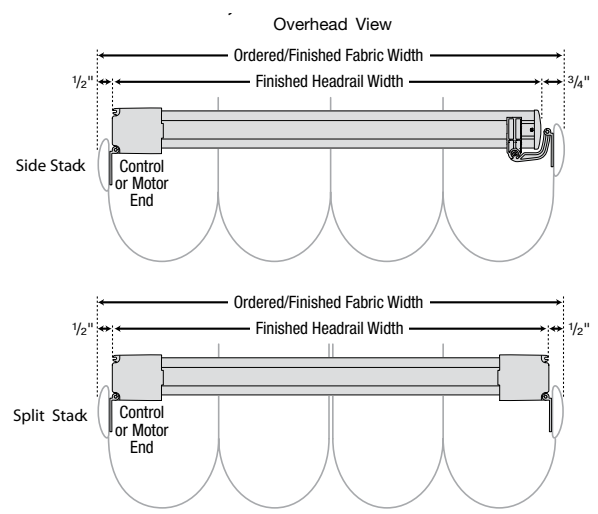
Choose from three stacking designs: left stack, right stack or split stack.



## Inside Mount Finished Dimensions



## Outside Mount Finished Dimensions



**Vertical Sheer Shadings Fabrics and Vanes**

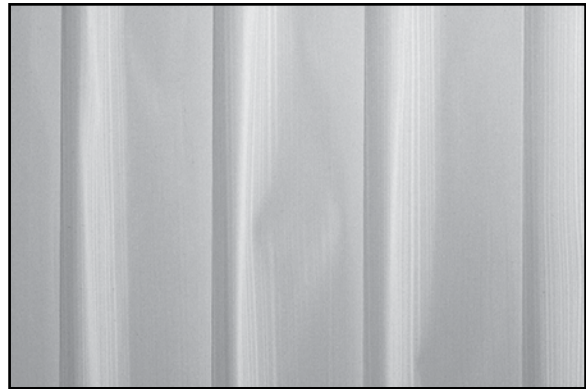
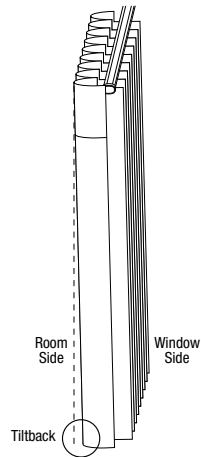
Vertical Sheer Shadings are a beautiful option for covering for a variety of windows. However, they are a textile product which will never be perfect. By understanding some of the qualities of the fabric used in Vertical Sheer Shadings, you will be able to set clear expectations during the sales process.

**Fabric and Vanes**

- Vertical Sheer Shadings are 100% polyester for durability and easy care. The 3½" stationary vanes are permanently bonded to the rear of the face fabric, providing a uniform appearance to the home's exterior.
- Color is carried by the sheer fabric; vanes are white. Vanes available in two opacities: light filtering and room darkening.
- The Vertical Sheer Shadings fabrics are subject to the variations associated with all textiles, such as slight wrinkles or puckers.

**Tiltback**

Additional weight of the face fabric in front causes the fabric to hang at a slight angle, called "tiltback." This is an inherent characteristic of the product and may be more noticeable on shorter panels.



Puckering



Tilt Back

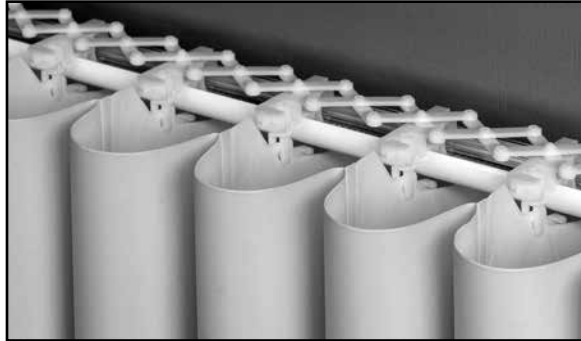


## Vertical Sheer Shadings Hardware

Vertical Sheer Shadings use a proven scissor track system. Track system is white and hidden behind the fabric header.

Scissors expand when the sheer is drawn closed and compress when the sheer is drawn open.

Vane realignment is easy — rotate the vanes first to one side and then the other.



## Controls and Control Placement

Vertical Sheer Shadings are operated with wand/cord combination or a moving wand option.

### Wand/Cord Control

- With the wand/cord, pull the cord to traverse the fabric and twist the wand to rotate the vanes. Be sure to use both hands to avoid twisting the cord.
- Wand/cord placement: the shading stacks on same side as wand/cord; for split stack or offset stack, choose left or right control.
- See the next column for standard wand/cord lengths.



### Moving Wand

- The moving wand is a cordless wand control system that traverses the fabric and rotates the vanes.
- Moving wand is available with **outside mount shadings only**.
- The placement of moving wand is opposite side of stack.
- See the next column for standard wand lengths.



## Wand/Cord Lengths

- Wand/cord length is measured from top of fabric to bottom of wand.
- **Placement:** Wand/cord: the shading stacks on same side as wand/cord; for split stack or offset stack, choose left or right control.

| Ordered Shading Length      | Standard Wand/Cord Length |
|-----------------------------|---------------------------|
| 24" to 40"                  | 24"                       |
| 40 $\frac{1}{8}$ " to 60"   | 36"                       |
| 60 $\frac{1}{8}$ " to 96"   | 48"                       |
| 96 $\frac{1}{8}$ " to 108"  | 60"                       |
| 108 $\frac{1}{8}$ " to 120" | 72"                       |

- Custom lengths for the wand/cord may be specified when ordering. Choose from 24", 36", 48", 60" and 72" lengths at no additional charge.
- Non-standard wand/cord lengths are not available.

## Moving Wand Length

- Wand length is measured from top of fabric to bottom of wand.
- **Placement:** Moving wand: the shading stacks on opposite side of wand; available on outside (OB) mount side stack only.

| Ordered Shading Length     | Wand Length |
|----------------------------|-------------|
| 24" to 48"                 | 23"         |
| 48 $\frac{1}{8}$ " to 84"  | 30"         |
| 84 $\frac{1}{8}$ " to 100" | 40"         |

## Vertical Sheer Shadings Design and Operation

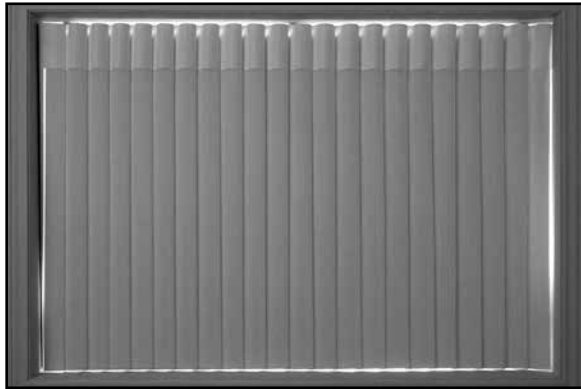
### Outside Mount Installation

Specifying Vertical Sheer Shadings as outside mounts is ideal because the vanes and fabric are allowed to operate freely.

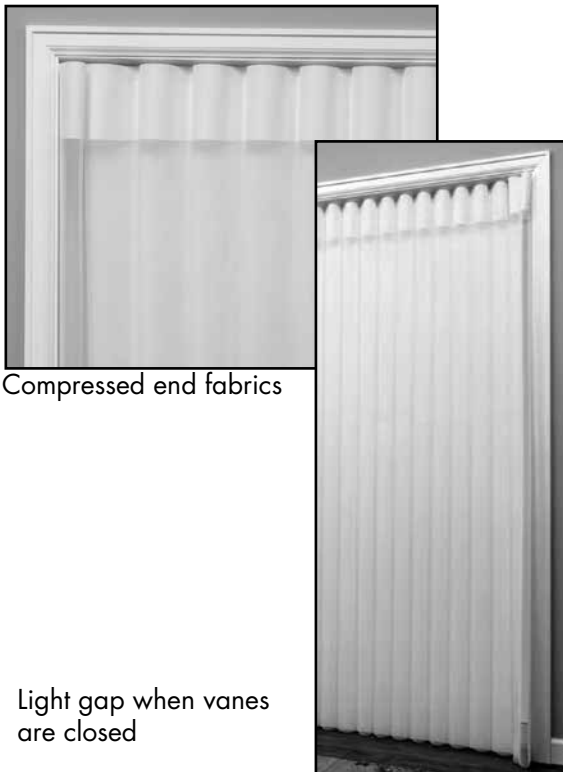
- Outside mounts provide complete fabric coverage and enhance light control and privacy features.
- Outside mounts allow the shading to be stacked back off of the window opening for an unobstructed view.

### WHY INSIDE MOUNTS ARE NOT RECOMMENDED

- Vertical Sheer Shadings are not recommended as inside mounts due to light gaps that occur on the sides of the sheer when the vanes are closed.
- Inside mounting prevents the end treatments from rotating with the vanes. This results in light gaps on the sides of the sheer when the vanes are closed, as well as compressed end fabrics.



Light gaps around the window frame that occur with Inside Mount Shadings



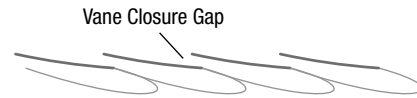
Compressed end fabrics

Light gap when vanes are closed

### Vane Closure Gap

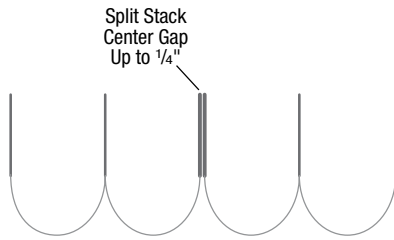
The closed vanes of Vertical Sheer Shadings are designed to overlap for privacy when viewed straight on.

- Light leakage may occur due to the vane closure gap, which may increase with the length of the shading.
- The vane closure gap is most visible when viewed from the side. It is a normal, inherent characteristic of the product and should not be considered a defect.
- Vane closure is tighter in one direction than the other when the vanes are rotated closed.



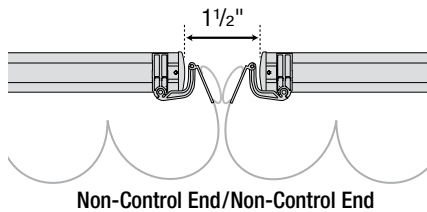
## Split Stack Center Gap

- The maximum distance between fabric panels of a split stack design is  $\frac{1}{4}$ ".



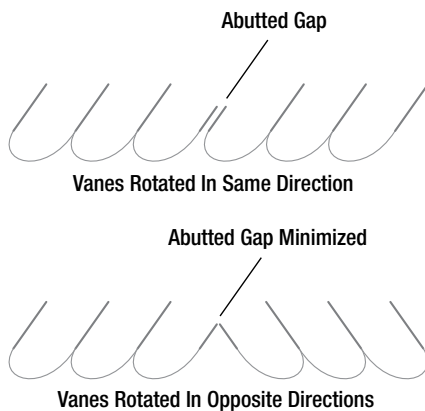
## Side-By-Side (Abutted) Applications

- Outside-mounted side stack shadings may be abutted at the non-control ends to achieve wider widths up to 384".
- Abutted applications utilize two independent head rails and will appear and function differently than a split stack application utilizing a single head rail.
- No deductions or special order entries are necessary.
- At installation, position the ends of the rails  $1\frac{1}{2}$ " apart for optimal appearance and function.
- Please Note:** The moving wand is not recommended for abutted applications.



## Abutted Gap

- For best closure on shadings with abutted installations, the vanes should be rotated in opposite directions to minimize the abutted gap, as shown below.



## Return Gaps

Outside mount applications have return gaps, which is the distance between the end treatments and the wall.

## Gap Dimensions

### Return Gap — Side Stack

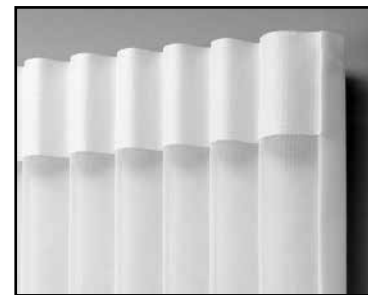
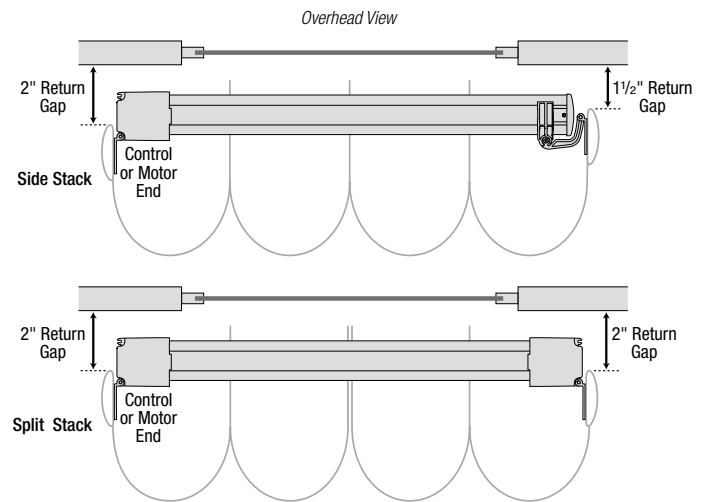
- Control (wand/cord) end 2"
- Non-control (traveling) end  $1\frac{1}{2}$ "

### Return Gap — Split Stack

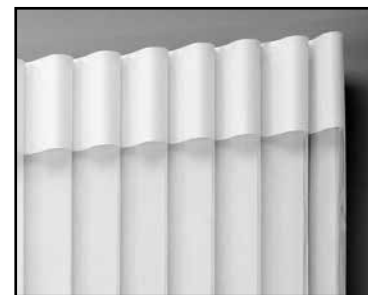
- Both ends 2"

## Center Gap

- Split stack up to  $\frac{1}{4}$ "



Return gap



All vanes fully rotate

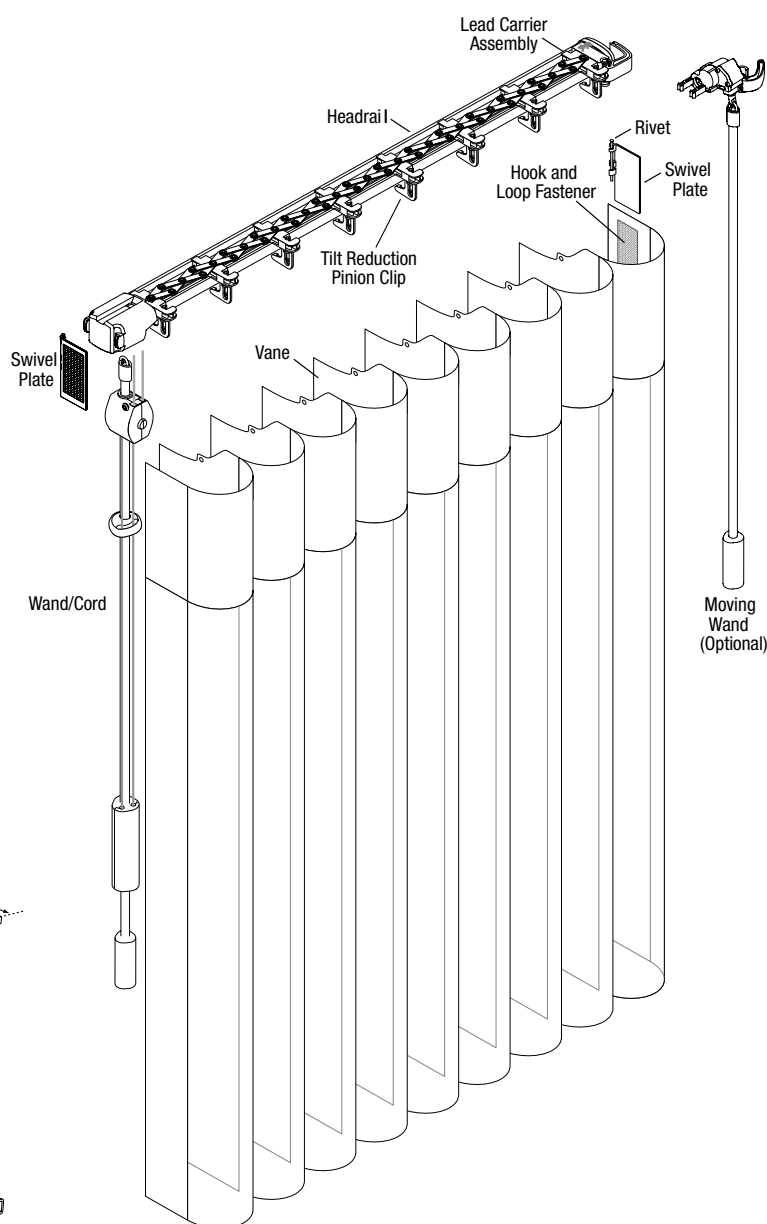
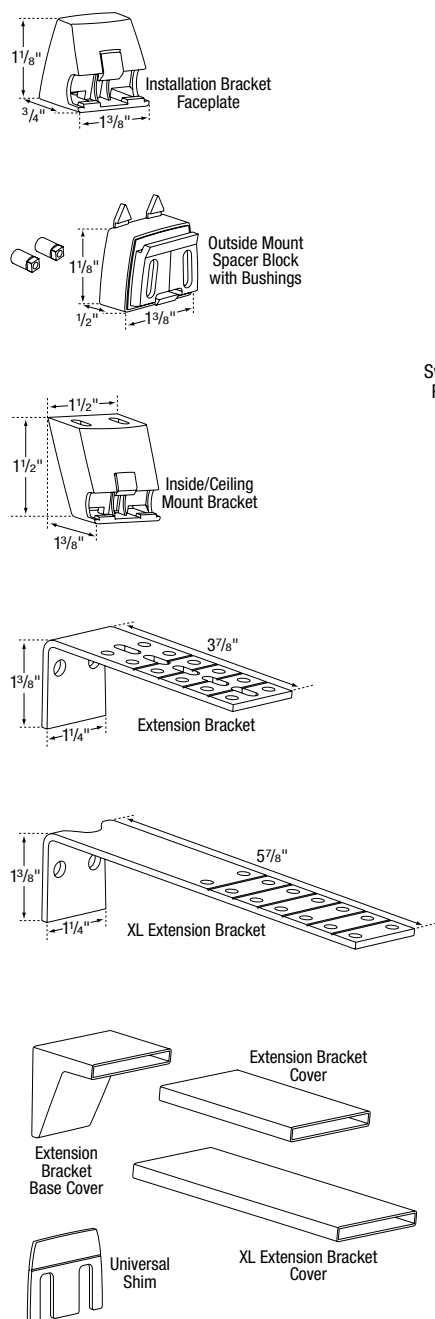
## Measuring, Mounting Requirements and Installation Information

- Outside mount applications are highly recommended. Inside mount installations **are not recommended** due to the light gaps that occur when the vanes are closed.
- Moving wands control option is only available with outside mount side stack shadings.
- **Top clearance is required for head rail installation.** The rail must be tilted upward to fit into the installation bracket faceplate.

## Installation Brackets

- Installation bracket faceplates with spacer blocks are used for outside mounts.
- Inside/ceiling mount brackets are used for inside and ceiling mounts. These brackets are also used with extension brackets for outside mounts needing extra clearance.

| Ordered Width             | Installation Brackets Required |
|---------------------------|--------------------------------|
| Up to 40"                 | 2                              |
| 40 $\frac{1}{8}$ " to 70" | 3                              |
| 70 $\frac{1}{8}$ " to 96" | 4                              |
| 96 $\frac{1}{8}$ " -155"  | 6                              |
| 155 $\frac{1}{8}$ " -192" | 8                              |



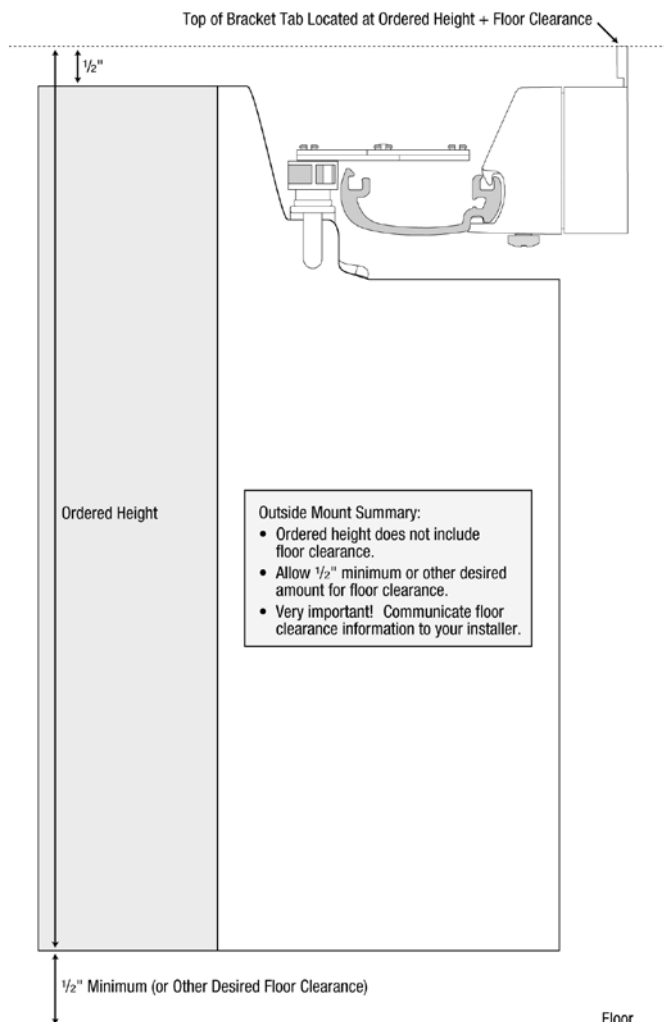
## Measuring, Mounting Requirements and Installation Information

### Outside Mount

- Minimum mounting surface height with Standard Bracket: 1 1/8"
- Minimum mounting surface height with Extension Bracket: 1 3/8"
- Recommended top overlap: 5"
- Recommended minimum overlap per side (and bottom overlap when product does not hang to floor): 5"
- Recommended bottom clearance when product hangs to floor (deduct before ordering): 1/2"

### Outside Mount Ordered Height

- Outside mount ordered height is the distance from the bottom of the fabric to 1/2" above the top of the fabric, where the top of the bracket tab will be located.
- When measuring, plan on the bottom of the fabric being located a minimum of 1/2" above the floor for operating clearance.
- Allow the recommended amount of top overlap and check that the bracket can be mounted on a 1 1/8" flat, not curved, vertical surface.



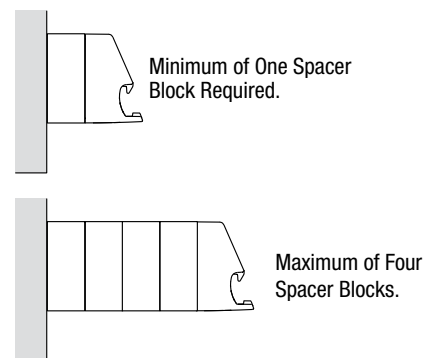
### Inside/Ceiling Mount

Inside/ceiling mount brackets are used for inside and ceiling mounts. These brackets are also used with extension brackets for outside mounts needing extra clearance.

- Minimum mounting depth: 1"
- Minimum mounting depth, fully recessed: 6 1/4"

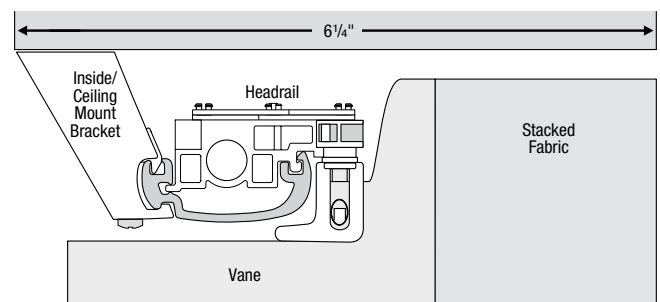
### Spacer Blocks

- Each spacer block projects an outside mount installation bracket 1/2" away from the mounting surface.
- There must be sufficient rear clearance for proper operation.
- One spacer block is required for the 3 1/2" vane size.



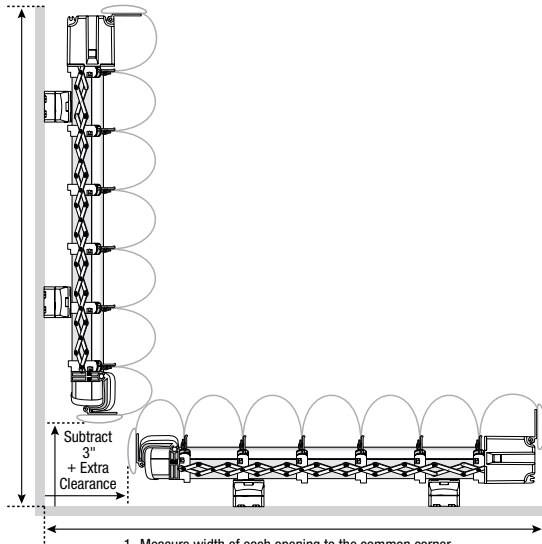
### Extension Brackets

- Standard extension brackets can provide up to 3 1/2" of clearance.
- Extra Large extension brackets can provide up to 5 1/2" of clearance.



## Measuring for Corner Windows

- Measure the width of both openings to the common corner.
- Deduct the depth of the treatment from the width of each measurement so they will meet in the corner but not overlap. Deduct 3".
- If additional spacer blocks or extension brackets will be used for extra clearance on outside mounts, add the amount of extra clearance to the deduction.
- Order the width less the deduction for each window.



1. Measure width of each opening to the common corner.
2. Subtract 3" for vane size plus any extra clearance.

## How to Avoid Common Ordering Errors

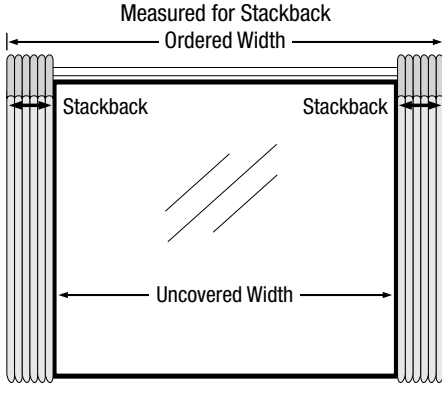
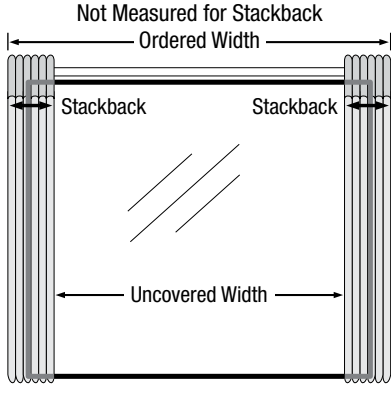
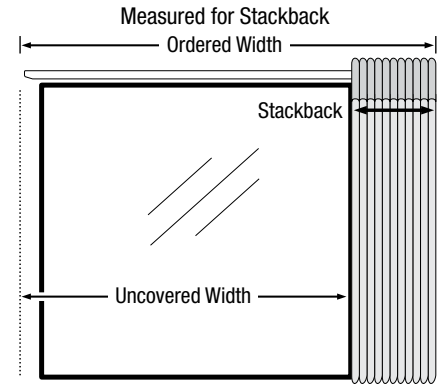
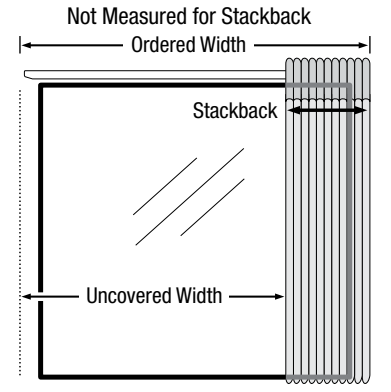
- If an outside mounted Vertical Sheer Shading hangs to the floor, allow for a minimum of ½" for floor clearance.
  - Allow for more clearance, if needed (with thick pile carpet, for example).
  - Be sure the installer understands your floor clearance allowance so that he or she mounts the brackets at the proper height.
- Be sure to measure for the recommended outside mount height and width overlaps. Include Stackback, if desired (see pages 61-62).
- With side stack Vertical Sheer Shadings, specify the correct stacking side.
  - If a sliding glass door opens on the right side (slides to the left), order a left stack.
  - If it opens on the left side (slides to the right), order a right stack.

## Stackback

- Outside mounted shadings may be ordered so that the window opening is completely uncovered when the fabric is drawn open, as shown in the illustrations at the bottom of the page.
- Refer to the Stackback charts on page 62.
- Stackback is measured at the top of the shading.

## Using the Stackback Charts

- Determine the desired uncovered width when the shading is drawn fully open.
  - With side stack designs, be sure to include in your uncovered width measurement the desired fabric overlap on the side opposite the fabric stack.
- Locate that width on the Stackback chart.
- Move across the row to find the correct ordered width.
- The Stackback dimension is shown in the column between the uncovered width and ordered width.
- Determine the desired uncovered width when the shading is drawn fully open.



## Stackback Charts

- The Stackback charts account for the typical stacking of the scissor track. As with any textile product, some variation is typical.
- On side stack shadings, include in your uncovered width measurement the desired amount of fabric overlap on the side opposite the fabric stack.
- Moving wand is not available in a split stack configuration.

## OUTSIDE MOUNT

| Side Stack                       |                                  |                                   |
|----------------------------------|----------------------------------|-----------------------------------|
| Uncovered Width Up To            | Stackback Up To                  | Ordered Width                     |
| 5 <sup>3</sup> / <sub>8</sub> "  | 7 <sup>3</sup> / <sub>8</sub> "  | 12 <sup>3</sup> / <sub>4</sub> "  |
| 7 <sup>3</sup> / <sub>4</sub> "  | 7 <sup>7</sup> / <sub>8</sub> "  | 15 <sup>5</sup> / <sub>8</sub> "  |
| 10 <sup>1</sup> / <sub>8</sub> " | 8 <sup>3</sup> / <sub>8</sub> "  | 18 <sup>1</sup> / <sub>2</sub> "  |
| 12 <sup>1</sup> / <sub>2</sub> " | 8 <sup>7</sup> / <sub>8</sub> "  | 21 <sup>3</sup> / <sub>8</sub> "  |
| 14 <sup>7</sup> / <sub>8</sub> " | 9 <sup>3</sup> / <sub>8</sub> "  | 24 <sup>1</sup> / <sub>4</sub> "  |
| 17 <sup>1</sup> / <sub>4</sub> " | 9 <sup>7</sup> / <sub>8</sub> "  | 27 <sup>1</sup> / <sub>8</sub> "  |
| 19 <sup>5</sup> / <sub>8</sub> " | 10 <sup>3</sup> / <sub>8</sub> " | 30"                               |
| 22"                              | 10 <sup>7</sup> / <sub>8</sub> " | 32 <sup>7</sup> / <sub>8</sub> "  |
| 24 <sup>3</sup> / <sub>8</sub> " | 11 <sup>3</sup> / <sub>8</sub> " | 35 <sup>3</sup> / <sub>4</sub> "  |
| 26 <sup>3</sup> / <sub>4</sub> " | 11 <sup>7</sup> / <sub>8</sub> " | 38 <sup>5</sup> / <sub>8</sub> "  |
| 29 <sup>1</sup> / <sub>8</sub> " | 12 <sup>3</sup> / <sub>8</sub> " | 41 <sup>1</sup> / <sub>2</sub> "  |
| 31 <sup>1</sup> / <sub>2</sub> " | 12 <sup>7</sup> / <sub>8</sub> " | 44 <sup>3</sup> / <sub>8</sub> "  |
| 33 <sup>3</sup> / <sub>4</sub> " | 13 <sup>3</sup> / <sub>8</sub> " | 47 <sup>1</sup> / <sub>8</sub> "  |
| 36 <sup>1</sup> / <sub>8</sub> " | 13 <sup>7</sup> / <sub>8</sub> " | 50"                               |
| 38 <sup>1</sup> / <sub>2</sub> " | 14 <sup>3</sup> / <sub>8</sub> " | 52 <sup>7</sup> / <sub>8</sub> "  |
| 40 <sup>7</sup> / <sub>8</sub> " | 14 <sup>7</sup> / <sub>8</sub> " | 55 <sup>3</sup> / <sub>4</sub> "  |
| 43 <sup>1</sup> / <sub>4</sub> " | 15 <sup>3</sup> / <sub>8</sub> " | 58 <sup>5</sup> / <sub>8</sub> "  |
| 45 <sup>5</sup> / <sub>8</sub> " | 15 <sup>7</sup> / <sub>8</sub> " | 61 <sup>1</sup> / <sub>2</sub> "  |
| 48"                              | 16 <sup>3</sup> / <sub>8</sub> " | 64 <sup>3</sup> / <sub>8</sub> "  |
| 50 <sup>3</sup> / <sub>8</sub> " | 16 <sup>7</sup> / <sub>8</sub> " | 67 <sup>1</sup> / <sub>4</sub> "  |
| 52 <sup>3</sup> / <sub>4</sub> " | 17 <sup>3</sup> / <sub>8</sub> " | 70 <sup>1</sup> / <sub>8</sub> "  |
| 55 <sup>1</sup> / <sub>8</sub> " | 17 <sup>7</sup> / <sub>8</sub> " | 73"                               |
| 57 <sup>1</sup> / <sub>2</sub> " | 18 <sup>3</sup> / <sub>8</sub> " | 75 <sup>7</sup> / <sub>8</sub> "  |
| 59 <sup>7</sup> / <sub>8</sub> " | 18 <sup>7</sup> / <sub>8</sub> " | 78 <sup>3</sup> / <sub>4</sub> "  |
| 62 <sup>1</sup> / <sub>8</sub> " | 19 <sup>3</sup> / <sub>8</sub> " | 81 <sup>1</sup> / <sub>2</sub> "  |
| 64 <sup>1</sup> / <sub>2</sub> " | 19 <sup>7</sup> / <sub>8</sub> " | 84 <sup>3</sup> / <sub>8</sub> "  |
| 66 <sup>7</sup> / <sub>8</sub> " | 20 <sup>3</sup> / <sub>8</sub> " | 87 <sup>1</sup> / <sub>4</sub> "  |
| 69 <sup>1</sup> / <sub>4</sub> " | 20 <sup>7</sup> / <sub>8</sub> " | 90 <sup>1</sup> / <sub>8</sub> "  |
| 71 <sup>5</sup> / <sub>8</sub> " | 21 <sup>3</sup> / <sub>8</sub> " | 93"                               |
| 74"                              | 21 <sup>7</sup> / <sub>8</sub> " | 95 <sup>7</sup> / <sub>8</sub> "  |
| 76 <sup>3</sup> / <sub>8</sub> " | 22 <sup>3</sup> / <sub>8</sub> " | 98 <sup>3</sup> / <sub>4</sub> "  |
| 78 <sup>3</sup> / <sub>4</sub> " | 22 <sup>7</sup> / <sub>8</sub> " | 101 <sup>5</sup> / <sub>8</sub> " |
| 81 <sup>1</sup> / <sub>8</sub> " | 23 <sup>3</sup> / <sub>8</sub> " | 104 <sup>1</sup> / <sub>2</sub> " |
| 83 <sup>1</sup> / <sub>2</sub> " | 23 <sup>7</sup> / <sub>8</sub> " | 107 <sup>3</sup> / <sub>8</sub> " |

**Please Note:**

- The maximum uncovered width of side stack sheers is 153<sup>1</sup>/<sub>8</sub>".
- Include in your uncovered width measurement the desired amount of fabric overlap on the side opposite the fabric stack.

| Uncovered Width Up To             | Stackback Up To                  | Ordered Width                     |
|-----------------------------------|----------------------------------|-----------------------------------|
| 85 <sup>7</sup> / <sub>8</sub> "  | 24 <sup>3</sup> / <sub>8</sub> " | 110 <sup>1</sup> / <sub>4</sub> " |
| 88 <sup>1</sup> / <sub>4</sub> "  | 24 <sup>7</sup> / <sub>8</sub> " | 113 <sup>1</sup> / <sub>8</sub> " |
| 90 <sup>5</sup> / <sub>8</sub> "  | 25 <sup>3</sup> / <sub>8</sub> " | 116"                              |
| 92 <sup>7</sup> / <sub>8</sub> "  | 25 <sup>7</sup> / <sub>8</sub> " | 118 <sup>3</sup> / <sub>4</sub> " |
| 95 <sup>1</sup> / <sub>4</sub> "  | 26 <sup>3</sup> / <sub>8</sub> " | 121 <sup>5</sup> / <sub>8</sub> " |
| 97 <sup>5</sup> / <sub>8</sub> "  | 26 <sup>7</sup> / <sub>8</sub> " | 124 <sup>1</sup> / <sub>2</sub> " |
| 100"                              | 27 <sup>3</sup> / <sub>8</sub> " | 127 <sup>3</sup> / <sub>8</sub> " |
| 102 <sup>3</sup> / <sub>8</sub> " | 27 <sup>7</sup> / <sub>8</sub> " | 130 <sup>1</sup> / <sub>4</sub> " |
| 104 <sup>3</sup> / <sub>4</sub> " | 28 <sup>3</sup> / <sub>8</sub> " | 133 <sup>1</sup> / <sub>8</sub> " |
| 107 <sup>1</sup> / <sub>8</sub> " | 28 <sup>7</sup> / <sub>8</sub> " | 136"                              |
| 109 <sup>1</sup> / <sub>2</sub> " | 29 <sup>3</sup> / <sub>8</sub> " | 138 <sup>7</sup> / <sub>8</sub> " |
| 111 <sup>7</sup> / <sub>8</sub> " | 29 <sup>7</sup> / <sub>8</sub> " | 141 <sup>3</sup> / <sub>4</sub> " |
| 114 <sup>1</sup> / <sub>4</sub> " | 30 <sup>3</sup> / <sub>8</sub> " | 144 <sup>5</sup> / <sub>8</sub> " |
| 116 <sup>5</sup> / <sub>8</sub> " | 30 <sup>7</sup> / <sub>8</sub> " | 147 <sup>1</sup> / <sub>2</sub> " |
| 119"                              | 31 <sup>3</sup> / <sub>8</sub> " | 150 <sup>3</sup> / <sub>8</sub> " |
| 121 <sup>1</sup> / <sub>4</sub> " | 31 <sup>7</sup> / <sub>8</sub> " | 153 <sup>1</sup> / <sub>8</sub> " |
| 123 <sup>5</sup> / <sub>8</sub> " | 32 <sup>3</sup> / <sub>8</sub> " | 156"                              |
| 126"                              | 32 <sup>7</sup> / <sub>8</sub> " | 158 <sup>7</sup> / <sub>8</sub> " |
| 128 <sup>3</sup> / <sub>8</sub> " | 33 <sup>3</sup> / <sub>8</sub> " | 161 <sup>3</sup> / <sub>4</sub> " |
| 130 <sup>3</sup> / <sub>4</sub> " | 33 <sup>7</sup> / <sub>8</sub> " | 164 <sup>5</sup> / <sub>8</sub> " |
| 133 <sup>1</sup> / <sub>8</sub> " | 34 <sup>3</sup> / <sub>8</sub> " | 167 <sup>1</sup> / <sub>2</sub> " |
| 135 <sup>1</sup> / <sub>2</sub> " | 34 <sup>7</sup> / <sub>8</sub> " | 170 <sup>3</sup> / <sub>8</sub> " |
| 137 <sup>7</sup> / <sub>8</sub> " | 35 <sup>3</sup> / <sub>8</sub> " | 173 <sup>1</sup> / <sub>4</sub> " |
| 140 <sup>1</sup> / <sub>4</sub> " | 35 <sup>7</sup> / <sub>8</sub> " | 176 <sup>1</sup> / <sub>8</sub> " |
| 142 <sup>5</sup> / <sub>8</sub> " | 36 <sup>3</sup> / <sub>8</sub> " | 179"                              |
| 145"                              | 36 <sup>7</sup> / <sub>8</sub> " | 181 <sup>7</sup> / <sub>8</sub> " |
| 147 <sup>3</sup> / <sub>8</sub> " | 37 <sup>3</sup> / <sub>8</sub> " | 184 <sup>3</sup> / <sub>4</sub> " |
| 149 <sup>3</sup> / <sub>4</sub> " | 37 <sup>7</sup> / <sub>8</sub> " | 187 <sup>5</sup> / <sub>8</sub> " |
| 152"                              | 38 <sup>3</sup> / <sub>8</sub> " | 190 <sup>3</sup> / <sub>8</sub> " |
| 153 <sup>1</sup> / <sub>8</sub> " | 38 <sup>7</sup> / <sub>8</sub> " | 192"                              |

| Split Stack                       |  |                                   |
|-----------------------------------|--|-----------------------------------|
| Uncovered Width Up To             | Stackback Up To                        | Ordered Width                     |
| 7 <sup>3</sup> / <sub>8</sub> "   | 4 <sup>1</sup> / <sub>2</sub> " (x 2)  | 16 <sup>3</sup> / <sub>8</sub> "  |
| 12 <sup>1</sup> / <sub>8</sub> "  | 5" (x 2)                               | 22 <sup>1</sup> / <sub>8</sub> "  |
| 16 <sup>7</sup> / <sub>8</sub> "  | 5 <sup>1</sup> / <sub>2</sub> " (x 2)  | 27 <sup>7</sup> / <sub>8</sub> "  |
| 21 <sup>5</sup> / <sub>8</sub> "  | 6" (x 2)                               | 33 <sup>5</sup> / <sub>8</sub> "  |
| 26 <sup>3</sup> / <sub>8</sub> "  | 6 <sup>1</sup> / <sub>2</sub> " (x 2)  | 39 <sup>3</sup> / <sub>8</sub> "  |
| 31"                               | 7" (x 2)                               | 45"                               |
| 35 <sup>3</sup> / <sub>4</sub> "  | 7 <sup>1</sup> / <sub>2</sub> " (x 2)  | 50 <sup>3</sup> / <sub>4</sub> "  |
| 40 <sup>1</sup> / <sub>2</sub> "  | 8" (x 2)                               | 56 <sup>1</sup> / <sub>2</sub> "  |
| 45 <sup>1</sup> / <sub>4</sub> "  | 8 <sup>1</sup> / <sub>2</sub> " (x 2)  | 62 <sup>1</sup> / <sub>4</sub> "  |
| 50"                               | 9" (x 2)                               | 68"                               |
| 54 <sup>3</sup> / <sub>4</sub> "  | 9 <sup>1</sup> / <sub>2</sub> " (x 2)  | 73 <sup>3</sup> / <sub>4</sub> "  |
| 59 <sup>1</sup> / <sub>2</sub> "  | 10" (x 2)                              | 79 <sup>1</sup> / <sub>2</sub> "  |
| 64 <sup>1</sup> / <sub>8</sub> "  | 10 <sup>1</sup> / <sub>2</sub> " (x 2) | 85 <sup>1</sup> / <sub>8</sub> "  |
| 68 <sup>7</sup> / <sub>8</sub> "  | 11" (x 2)                              | 90 <sup>7</sup> / <sub>8</sub> "  |
| 73 <sup>5</sup> / <sub>8</sub> "  | 11 <sup>1</sup> / <sub>2</sub> " (x 2) | 96 <sup>5</sup> / <sub>8</sub> "  |
| 78 <sup>3</sup> / <sub>8</sub> "  | 12" (x 2)                              | 102 <sup>3</sup> / <sub>8</sub> " |
| 83 <sup>1</sup> / <sub>8</sub> "  | 12 <sup>1</sup> / <sub>2</sub> " (x 2) | 108 <sup>1</sup> / <sub>8</sub> " |
| 87 <sup>7</sup> / <sub>8</sub> "  | 13" (x 2)                              | 113 <sup>7</sup> / <sub>8</sub> " |
| 92 <sup>1</sup> / <sub>2</sub> "  | 13 <sup>1</sup> / <sub>2</sub> " (x 2) | 119 <sup>1</sup> / <sub>2</sub> " |
| 97 <sup>1</sup> / <sub>4</sub> "  | 14" (x 2)                              | 125 <sup>1</sup> / <sub>4</sub> " |
| 102"                              | 14 <sup>1</sup> / <sub>2</sub> " (x 2) | 131"                              |
| 106 <sup>3</sup> / <sub>4</sub> " | 15" (x 2)                              | 136 <sup>3</sup> / <sub>4</sub> " |
| 111 <sup>1</sup> / <sub>2</sub> " | 15 <sup>1</sup> / <sub>2</sub> " (x 2) | 142 <sup>1</sup> / <sub>2</sub> " |
| 116 <sup>1</sup> / <sub>4</sub> " | 16" (x 2)                              | 148 <sup>1</sup> / <sub>4</sub> " |
| 120 <sup>7</sup> / <sub>8</sub> " | 16 <sup>1</sup> / <sub>2</sub> " (x 2) | 153 <sup>7</sup> / <sub>8</sub> " |
| 125 <sup>5</sup> / <sub>8</sub> " | 17" (x 2)                              | 159 <sup>5</sup> / <sub>8</sub> " |
| 130 <sup>3</sup> / <sub>8</sub> " | 17 <sup>1</sup> / <sub>2</sub> " (x 2) | 165 <sup>3</sup> / <sub>8</sub> " |
| 135 <sup>1</sup> / <sub>8</sub> " | 18" (x 2)                              | 171 <sup>1</sup> / <sub>8</sub> " |
| 139 <sup>7</sup> / <sub>8</sub> " | 18 <sup>1</sup> / <sub>2</sub> " (x 2) | 176 <sup>7</sup> / <sub>8</sub> " |
| 144 <sup>5</sup> / <sub>8</sub> " | 19" (x 2)                              | 182 <sup>5</sup> / <sub>8</sub> " |
| 149 <sup>1</sup> / <sub>4</sub> " | 19 <sup>1</sup> / <sub>2</sub> " (x 2) | 188 <sup>1</sup> / <sub>4</sub> " |
| 152"                              | 20" (x 2)                              | 192"                              |

**Please Note:**

- The maximum uncovered width of split stack sheers is 152".
- Moving wand system is not available in a split stack configuration.



## UV Protection

Ultraviolet light, entering the home as sunlight, damages furnishings. In time it fades wood floors, furniture, upholstery, draperies, carpeting and artwork. Prolonged exposure to sunlight causes natural, undyed fabrics to turn yellow, weakening their fibers and making them look old and worn prematurely.

The right window covering can be very effective in blocking ultraviolet rays. Such effectiveness is measured in terms of a “% UV blockage” rating. The higher the rating, the greater the UV protection.

Vertical Sheer Shading fabrics have the following UV Protection ratings:

|              |    |
|--------------|----|
| Open Vanes   | 88 |
| Closed Vanes | 99 |

## Cleaning and Care

The Vertical Sheer Shadings sheer, valance, and vane fabric are 100% polyester. They are resilient, anti-static, and dust resistant.

As part of the final step of installation, light steaming may be required. Steam the sheer so its contours are round, full and free of wrinkles; use short vertical strokes and steam from behind whenever possible.

Feather dusting or light vacuuming is usually all the customer needs to do to keep the sheer looking good.

Shadings can be spot cleaned any using a clothing pre-treatment solution. Blot the soiled area as you support it from behind with another cloth. Let dry, then blot with distilled or bottled water to rinse.

### Ultrasonic Cleaning

For deep cleaning, both injection/extraction and ultrasonic cleaning methods are recommended for Vertical Sheer Shadings. Adco OnSite Fabricare provides shading and blind cleaning services. For more information, visit [www.AdcoOnSite.com](http://www.AdcoOnSite.com). Comfortex acknowledges these cleaning methods as being safe and effective. We cannot attest to the quality of equipment or services provided by any independent cleaning facility.

For additional advice on care or cleaning, please contact the Comfortex Technical Service Department at 800-843-4151.

## Soft Tones & Vertical Sheer Shading MEASURING INSTRUCTIONS

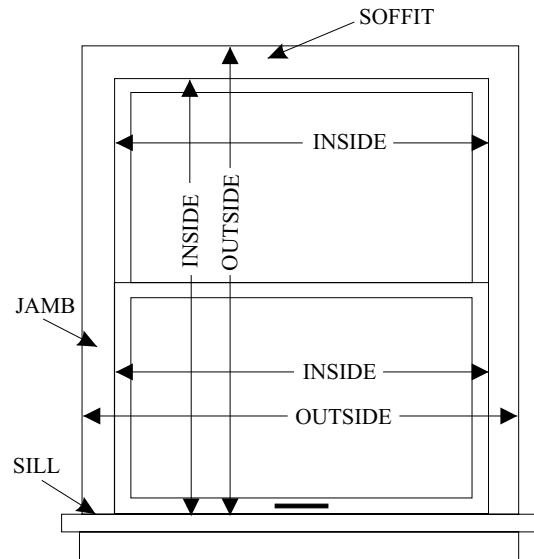
Comfortex accepts measurements down to 1/16" increments.

### Inside Mount

Use a steel tape to measure the opening at three different places, and use the narrowest dimension when ordering. Be exact! The factory will make the shade 3/8" narrower so it will not rub against the window casing. Measure the height of the window from the top (soffit) down to the sill.

### Outside or Ceiling Mount

Use a steel tape to measure the exact height and width of the area to be covered. It is recommended that the shades overlap the window by at least 1 1/2" on each side. When installation has no sill, allow the shade to overlap the bottom of the window casing by at least 1 1/2". Shade fabric will measure width indicated on the order form.



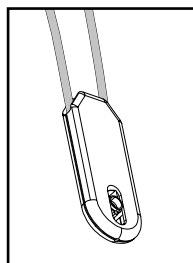
## Child Safety

All Comfortex products have been fully tested and proven to comply with the current WCMA Standards for safety of corded window coverings.

Be aware that it is possible for children to become entangled in window covering cords. To reduce the risk of accidents, all cords must be kept out of the reach of children.

## Cord Tensioners

Cord tensioners used on Shangri-La and Soft Tones Shadings continuous cord loops keep the continuous cord loops taut to prevent children and pets from becoming entangled and subsequently injuring themselves. Cord tensioners must be used with Shangri-La and Soft Tones Shadings to comply with the Consumer Product Safety Commission (CPSC) Child Safety Guidelines.



Cord Tensioner

## Shangri-La Shadings with Retractable Cord Hardware

Retractable Cord hardware is safe alternative to conventional cord loop controls by retracting and limiting the cord length.

## Vertical Sheer Shadings

The combination wand/cord option integrates both tilt and traverse functions into one easy-to-use control that keeps the cord taut. The moving wand option used on Vertical Sheer Shadings allows all functions to be controlled by a single wand without the need for operating cords.

## ! WARNING



The cords on this product present a potential strangulation hazard.



For child safety, consider cordless alternatives or products with inaccessible cords.

## ! ADVERTENCIA



Los cordones de este producto representan un peligro potencial de estrangulamiento.



Para la seguridad de los niños, utilice alternativas sin cordón o productos cuyos cordones sean inaccesibles.

## ! MISE EN GARDE



Les câbles de ce produit représentent un danger potentiel de strangulation.



Pour la sécurité des enfants, pensez au sans fil, ou procurez-vous des produits dont les câbles ne sont pas accessibles.

## Conditions of Sale

All Comfortex products are custom fabricated to your exact specifications. We cannot accept responsibility for errors in ordering or cancellations and charges after the order is in production.

## Policies

Our policies are designed to provide a guide for doing business with Comfortex. Our first priority and number one policy is to provide the highest level of service and total satisfaction.

## Freight

Comfortex will ship all orders for fabricated shades or blinds freight free via UPS, FedEx Ground or other similar method within the continental United States\*.

A \$3.75 per unit transportation surcharge will be added to all fabricated product orders, within the continental United States, including shades/blinds, vane packs, individual vanes, tracks, valance and cut yardage orders.

In addition, a \$70.00 Common Carrier surcharge\*\* will be added for all orders shipped within the continental United States\*, that include shades, blinds or valances with widths of 98" or more and are required to ship by motor freight. Exception: Verticals with lengths of 84" or more, and Roman Shades with widths of 94" or more are required to ship by motor freight.

**\*Hawaii:** Shipments to Hawaii will incur a freight charge of \$50.00 per unit when shipped from within the Continental US.  
**\*\*In Addition,** a \$110.00 Common Carrier surcharge for oversized shipments will be added to orders shipping to Hawaii.

**\*Alaska:** Shipments to Alaska will incur an \$8.00 per unit transportation surcharge when shipped from within the Continental US.  
**\*\*In addition,** a \$110 Common Carrier surcharge for oversized shipments will be added to orders shipping to Alaska from within the Continental US.

**Canada:** Shipments to Canadian Dealers will incur a \$6.00 per unit transportation surcharge when shipped from within the Continental US. In addition, a \$110 Common Carrier surcharge for oversized shipments will be added to orders shipping to Canada from within the Continental US.

**Comfortex Mexico Plant:** All shipments from our Mexico plant to Alaska, Hawaii or anywhere outside the Continental U.S. will incur all freight charges (freight forwarder needed if shipping to another country).

## Freight continued

**All Other Countries:** All United States dealers requesting to ship orders outside the United States must provide a freight forwarder for Comfortex to ship to within the continental United States. Comfortex cannot ship directly to your customers located outside the United States.

**Please Note:** Comfortex reserves the right to select another carrier, modify shipping terms or change freight policies without notice.

## Service and Repair

Service may be obtained by contacting our Customer Service Department. No products, parts, components or other materials will be authorized for return or repair without prior approval from Comfortex. A Return Authorization (RA) may be obtained by contacting our Technical Service Department. In order to provide the quickest service possible, please have your Comfortex Work Order number and original order information available when you call.

## Specifications

All Comfortex products are designed and tested to perform as intended within established, published parameters. Requests for "custom fabrication" of products outside of our published specifications may be considered, but are at the discretion of the Comfortex Technical Services department. Restrictions and additional charges apply.

Download installation instructions, order forms or additional price list copies at [www.comfortexdealers.com](http://www.comfortexdealers.com). The files can be found in the Dealers Resource Center or on the OnDemand Mobile Library.

## Motorized Shadings Warranty

### Simplicity Motors including PowerTouch Shadings and Integrated Rechargeable Motorization

We offer a 5 year warranty on all motors and controls. Specifically, we warrant the Simplicity motors and controls to be free from defects in material and workmanship under normal and proper use for a period of 5 years commencing with the date stamped on each product. If the Simplicity product fails within this 5 year period, we will repair or replace it free of charge through end user product supplier. Comfortex will warranty non-rechargeable alkaline batteries for up to 3 months from date of purchase. Simplicity Rechargeable (NiMH and Li-Ion batteries) are covered by a 5 year warranty.

## Shangri-La Fabric Warranty Information

Knitted fabric may experience minor weave variations due to heat, humidity and other room conditions. These variations can result in light bowing, puckering and dimpling of the Shangri-La material. This is considered normal and does not constitute a failure in either workmanship or materials. The possible variations are minor and have been shown through case study not to detract from the beauty of the product.

## Warranty Information Regarding the Braided Cord on Shangri-La Sheer Shadings and Soft Tones Shadings with Designer Cassette Hardware:

Designer Cassette Shadings built with a braided cord do not have a reverse roll stop. If a Shangri-La or Soft Tones Shading with the Designer Cassette Head Rail is raised above 24" in the reverse roll mode, there is a possibility of the fabric rubbing on the head rail. Comfortex reserves the right NOT to warrant wear and tear of fabric if damaged by roll-up in excess of 24".

## Shangri-La, Soft Tones and Vertical Sheer Shadings Limited Lifetime Warranty

Comfortex warrants that its window treatments will be free from defects in materials and workmanship for as long as the original residential purchaser owns the product, provided that the product was installed properly and in accordance with the installation instructions. The limited lifetime warranty is extended to the original residential purchaser only, in the original window for which it was installed.

The warranty does not include any conditions or damages resulting from accidents, alterations, misuse, abuse, misapplication, improper handling, installation, repairs, operation, cleaning, exposure to any and all natural and manufactured excessive heat sources. (Excessive heat sources include, but not limited to; magnification of sun light through cubes of glass, heaters of any kind, ovens, candles, lighting fixtures, etc.) This warranty does not cover variation in fabric color, grain or texture. Normal wear and tear is not covered.

All moving parts, such as cords, will eventually wear out and fabric may fray. Comfortex considers these things as normal wear and tear which will carry a three year limited warranty. All fabric, including fabric vanes, panels, inserts, and shades carry a five year warranty.

This limited warranty does not cover transportation costs to and from the retailer, costs of removal, re-measure, reinstallation of product, or any incidental or consequential damages.

If a Comfortex product is found to be defective in materials or workmanship, we will, at our discretion, repair, replace or refund the cost of a product which fails to conform to this limited warranty. Colors vary from lot to lot and may

not exactly match sample swatch, sample book, or previous purchases. Discontinued components or color selections will be replaced with the closest equivalent current product. This shall be your sole remedy under this limited warranty.

To obtain service, the end user should contact the dealer from whom they purchased the product.

This warranty is exclusive and in lieu of all other obligations, liabilities or warranties. In no event shall Comfortex or its licensed fabricators or distributors be liable for incidental or consequential damages, or for any other damage, loss or expense, cost or fee associated with such damage. In some states, exclusions for incidental or consequential damages are not allowable.

This warranty gives specific legal rights, and customers may also have other rights, which vary from state to state. Policy is subject to change without notice.

This limited warranty is exclusive of commercial use. Contact Comfortex Technical Service for more information. No agent, representative, dealer or unauthorized employee has the authority to increase or alter the obligation of this warranty.

This limited warranty supersedes any previous versions.

## ©2017 COMFORTEX CORPORATION

<sup>TM</sup> is a trademark of Comfortex Corporation. ® is a registered trademark of Comfortex Corporation. Shangri-La® are registered trademarks of Comfortex Corporation. PowerTouch<sup>TM</sup> and Omni-View<sup>TM</sup> are trademarks of Comfortex Corporation. Energizer® is a registered trademark of Energizer Holdings, Inc. Swiffer® is a registered trademark of Procter & Gamble. Pledge Grab-It is a registered trademark of S. C. Johnson & Son, Inc. U.S. and foreign patents pending. The GREENGUARD INDOOR AIR QUALITY CERTIFIED Mark is a registered certification mark used under license through the GREENGUARD Environmental Institute. All rights reserved under license by Comfortex Window Fashions. U.S. and foreign patents pending. All rights reserved.



**Comfortex**  
WINDOW FASHIONS

**DEALERS SITE**  
*comfortexdealers.com*

Once you become a Comfortex dealer you will have web access to the Comfortex Dealer web site: **comfortexdealers.com**. This site has the resources that will help you run and grow your business and partnership with Comfortex.

- Current Price Lists
- Price Grids
- Installation Instructions
- Product Availability
- Technical Bulletins
- Current and Upcoming Promotions
- Policies & Procedures
- Latest News and Announcements
- Technical Support



21 ELM STREET | MAPLEWOOD, NEW YORK 12189 | (800) 843-4151 | FAX (800) 336-4580



**COMFOTEX**  
**ON DEMAND**  
Information at Your Fingertips

Comfortex information,  
**WHERE** you need it and **WHEN** you need it!

Comfortex has partnered with Box.com to deliver a complete library to support the sale of Comfortex products on your mobile device, laptop and desktop. **Comfortex on Demand** is very easy to use and is **FREE** to all Comfortex dealers. Once you download the **FREE** Box app on your mobile device, you and others in your company will have access to a host of information including:

- Easy-to-Use Price Lists
- Product Photos
- Digital Color Swatches
- Product Brochures
- Current Promotions
- Installation Guides
- Latest News
- Price Grids

*After downloading on WiFi, all your files are stored locally on your device for quick access on the go!*

**Go to Comfortexdealers.com**

**Click on the Comfortex On Demand Banner for more information and a video demonstration.**



Vertical Sheer Shadings

## What's Inside:

---

- **NEW** PowerTouch™ Rechargeable Motorization for Shangri-La® and Soft Tones
- Simplicity Rechargeable Integrated Battery for Shangri-La® and Soft Tones
- Shangri-La® Sheer Horizontal Shadings
- Vertical Sheer Shadings
- Soft Tones Sheer Shadings
- Certified Best For Kids Products



Find It On The  
**COMFOTEX**  
ON DEMAND  
Mobile Library

21 Elm Street • Maplewood, NY 12189  
(800) 843-4151 (phone) • (800) 336-4580 (fax)  
[www.comfortex.com](http://www.comfortex.com) • [www.comfortexdealers.com](http://www.comfortexdealers.com)