

# Shopsmith Upgrades help you keep your prized tools operating at peak efficiency and in tune with the times

Our Shopsmith engineers are constantly developing new tools and accessories – as well as special upgrades to help you get more out of your current Shopsmith tools. The chart below introduces you to the first

of these upgrades – those or the MARK V – which are covered in more detail on pages 4 - 7. There are dozens of others within these pages. Just follow the index below or look for our Upgrade Symbol.

## Look For This Special Upgrade Graphic


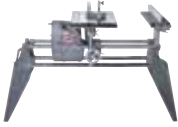


This catalog contains a number of upgrades for everything – from several important MARK V functions – to our Bandsaw, Jointer, Belt Sander, Planer, Scroll Saw and Dust Collector.



Look for this symbol throughout the catalog. It leads the way to Upgrades that will help you bring your Shopsmith Tools and Accessories up to today's high standards.

## You'll find the Upgrades you need here:

	Pages		Pages
MARK V .....	4-7	Planer .....	21-22
Bandsaw.....	8-11	Dust Collector .....	23-25
Scroll Saw .....	12-14	Miter Gauge.....	36
Belt Sander.....	15-16	Shaper/Router .....	69
Jointer.....	17-18	Disc Sander.....	71
Strip Sander .....	19-20	Lathe.....	80

<b>MARK V Model Table System Differences</b>				
FEATURES	<b>MARK V's</b> <i>Made before 1990</i>	<b>Anniversary MARK V's</b> <i>with Model 505 Table System</i>	<b>MARK V's</b> <i>with Model 510 Table System</i>	<b>MARK V's</b> <i>with Model 520 Table System</i>
<b>Main Work Table</b> Size (without Extension Tables): Surface: Miter Gauge slots: Accept T-Nut-mounted fixtures	14" w x 18 <sup>3</sup> / <sub>8</sub> " d Smooth (2) straight slots NO	17 <sup>1</sup> / <sub>2</sub> " w x 22" d Ribbed for less friction (2) T-Slots YES	17 <sup>1</sup> / <sub>2</sub> " w x 22" d Ribbed for less friction (2) T-Slots YES	17 <sup>1</sup> / <sub>2</sub> " w x 22" d Ribbed for less friction (2) T-Slots YES
<b>Extension Tables (Rigid) (Floating)</b>	(1) 18 <sup>3</sup> / <sub>8</sub> " x 4" NA	(1) 22" x 7 <sup>3</sup> / <sub>8</sub> " NA	(1) 22" x 7 <sup>3</sup> / <sub>8</sub> " (2) 22" x 7 <sup>3</sup> / <sub>8</sub> "	(1) 22" x 7 <sup>3</sup> / <sub>8</sub> " (2) 22" x 7 <sup>3</sup> / <sub>8</sub> "
<b>Maximum Support Surface Size</b> End-to-end with one rigid-mount Extension Table: End-to-end with one rigid & one floating Extension Table:	56" w x 18 <sup>3</sup> / <sub>8</sub> " d NA	62" w x 22" d	62" w x 22" d 102" w x 22" d	62" w x 22" d 102" w x 22" d
<b>Maximum Ripping Capacity</b>	48"	50"	98"	98"
<b>Telescoping Floating Extension Table Support Legs</b>	NA	NA	(2) Twist-Lock	(2) Twist-Lock
<b>Extension Table Connector Tubes</b>	NA	NA	(4) 27" *	(4) 27" *
<b>Table Tilt Mechanism &amp; Carriage</b> Table Tilt Lock(s) Wide Table Tube stance Quarter-turn Carriage Lock & Table-raising Wheel	Single in front NO NO	Dual, front & rear YES YES	Dual, front & rear YES YES	Dual, front & rear YES YES
<b>Rip Fence</b> Direct-Reading Scales Locking Top T-Slots Face T-Slots	22" L x 2 <sup>1</sup> / <sub>2</sub> " h x 1 <sup>3</sup> / <sub>8</sub> " NO Single Knob Lock NA NA	22 <sup>1</sup> / <sub>2</sub> " L x 2 <sup>1</sup> / <sub>2</sub> " h x 1 <sup>3</sup> / <sub>8</sub> " NO Knob + Lever One NA	24 <sup>1</sup> / <sub>2</sub> " L x 2 <sup>1</sup> / <sub>2</sub> " h x 1 <sup>3</sup> / <sub>8</sub> " NO Knob + Lever One NA	24 <sup>1</sup> / <sub>2</sub> " L x 2 <sup>1</sup> / <sub>2</sub> " h x 2 <sup>1</sup> / <sub>2</sub> " YES <a href="#">See Page 7</a> (2) Quick-Acting Levers Two One in each Face
<b>Miter Gauge Bar (with or without T-Slot Washer)</b>	No T-Slot Washer	T-Slot Washer	T-Slot Washer	T-Slot Washer
<b>Disc Sanding through Table Insert</b>	NO	YES	YES	YES
<b>Guards</b> See-Through Upper Saw Guard with Riving Knife Lower Guard with Sanding Disc Dust Collection	NO NO	YES YES	YES YES	YES YES
<b>Lathe Tool Rest</b>	Single position with round Rest Post & Setscrew adjustment	Dual position with anti-rotation Rest Post & Lever-style Adjustment Handles	Dual position with anti-rotation Rest Post & Lever-style Adjustment Handles	Dual position with anti-rotation Rest Post & Lever-style Adjustment Handles

\* Optional 5-foot Connector Tubes are available for a significant increase in ripping capacity and improved support for large workpieces.

See Page 30

# MARK V Model 500 to 520 Pro Fence & Table Systems Upgrade

State-of-the-art features and capabilities deliver improved working convenience, precision and operator safety


See the Table on Pg. 3 for a comparison of MARK V Model Features and Specifications

Your upgrade starts with an expanded table system that includes a larger Work Table and Extension Table with two *Floating* Support Tables and a pair of Telescoping Support Legs. Put it all together and you'll have over 8' of table width for crosscutting even the longest boards!

To this, it adds the heavy-duty, factory-aligned Shopsmith *Pro Fence* with four T-Slots ... two on the top and one on each face ... for attaching jigs, fixtures and aids such as our:

- Rip Fence-Mount Featherboard, **555783 - Pg. 29**
  - T-Track Utility Light Kit, **555806 - Pg. 76**
  - Flip-Up Rip Fence Stop, **555808 - Pg. 76**
- ... or any shop-made jig or fixture you might build that mounts to the Fence sides or top using our Sliding T-Nuts, **514491 - Pg. 36**

## Here's what you get with the Pro Fence and Table System Upgrade Kit:

- **Larger Table with big 17 1/2" x 22" work surface.** More support for ripping 4" x 8" plywood sheets and cross-cutting even the longest boards. 
- **Pro Fence** is 24 1/2" long by 2 1/2" thick with a double T-Slot track on the top surface plus another T-Slot on each side for attaching accessories, jigs and fixtures. Two Levers lock it rigidly to the front and rear of the Main or Extension Table with a quick flip. It also includes a wider Fence Straddler.
- **New Table Carriage with dual Tilt Locks** at the front and rear of the Table and a widened tube stance for added stability. Quarter-turn Hand Wheel and Lock move the table up and down – then secure it where you want it. 
- **Direct-Reading Rip Fence Scales** let you read and instantly set the width of rip cuts up to 38 1/2" wide. Includes two interchangeable stainless steel Scales that are graduated in both 1/16" and 1/32" increments. 

See the bottom of Pg. 5 for more information



- **Two Floating Extension Tables** slide on Connecting Tubes and lock anywhere between the Main Table and the end Extension Table. 
- **Four 27" Connecting Tubes** slip through the Rails and tie the System together with locking Knobs.
- **Two Telescoping Legs** give added support in the middle or at the ends of the Connecting Tubes. A quick twist locks their height.
- **See-Through Upper Saw Guard** with etched-in depth-of-cut indicators, European-style Riving Knife and Anti-Kickback Device. 
- **New Lower Saw Guard**, updated to accommodate Shopsmith's 12" Sanding Disc. Includes 2 1/2" diameter dust collection port.

## PLUS ... You'll also get:

- A new, Two-position Lathe Tool Rest Arm with lever-style Adjustment Screws.
- An anti-rotation Tool Rest Post.
- A new Saw Table Insert.
- New steel Miter Gauge Bar with T-Slot Washer.
- Larger Extension Table Top (does not include vertical mounting tubes).
- A Special Sanding Disc Hub lets you use your old style steel Disc with the Lower Saw Guard.
- A new *Pro Fence System* 1 1/4" diameter Saw Arbor.
- All required fittings and hardware.
- Instruction Manual, fully describing alignment, maintenance, safety, tips and techniques.
- (2) Set-Up and Alignment Gauges.

**555985** Pro Fence & Table System Upgrade **\$1,491.68**



**Important Note:** Due to the increased size of the Pro Fence System Work Table and how various accessories connect to it, some earlier Model 500 accessories may not fit the Pro Fence upgrade. These include (but are not limited to) all Table Inserts, Front Table Extension, Rip Fence, Mortising Hold-Downs and some Saw Arbors.

*The Shopsmith Model 520 Table System Upgrade is a Special Truck Shipment item and requires an additional \$25 shipping fee.*

Please call Tech Support TOLL-FREE at 1-800-762-7555 for more details.

## MARK V Model 500 to Model 510 Table System Upgrade

Enjoy improved workpiece support and control with this Model 510 Upgrade Package for older Model 500 MARK V's

If you own a MARK V Model 500 and have been wanting a larger, more expandable Table and Fence System for added support and precision when working with large stock – yet have little use for the jiggling and fixturing capabilities of our Model 510 Table System – this is the Upgrade for you.

As with the *Pro Fence System Upgrade* on Page 4, you'll have over 8" of table width for handling even the longest boards! That's almost **twice** the 56" your Model 500 machine offers!

### Inside the Model 510 Table System Upgrade Kit:

- **Larger Table with big 17 1/2" x 22" work surface.** More support for ripping large sheets and crosscutting long boards.



- **Larger Rip Fence** is 24 1/2" long x 1 3/8" thick with a single T-Slot track on the top surface for mounting accessories such as:
  - Rip Fence-Mount Featherboard,

**555783 - Pg. 29**

- T-Track Utility Light Kit, **555806 - Pg. 76**
- Flip-Up Rip Fence Stop, **555807 - Pg. 76**

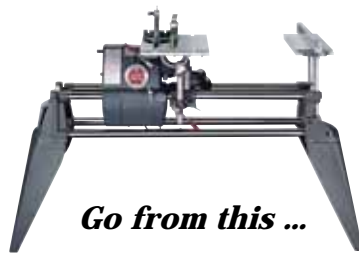
A large Butterfly Handle locks the infeed end while a single Lever locks the outfeed end with a quick flip.

- **New Table Carriage with dual Tilt Locks** at the front and rear and a



widened tube stance for added stability. Quarter-turn Hand Wheel and Lock move the table up and down – then secure it where you want it.

See the Table on Pg. 3 for a comparison of MARK V Model Features and Specifications



Go from this ...



... to this!

- **Two Floating Extension Tables**

slide on Tubes and lock anywhere between the Main Table and the end Extension Table.



- **Four 27" Connecting Tubes**

go through the Rails and tie the System together with locking Knobs.

- **Two Telescoping Legs** give added support in the middle or at the ends of the Connecting Tubes. A quick twist locks their height.



- **See-Through Upper Saw Guard** with etched-in depth-of-cut indicators, Anti-Kickback Device and Riving Knife.

- **New Lower Saw Guard**, updated to accommodate Shopsmith's 12" Sanding Disc. Includes 2 1/2" dust port.

### PLUS ... You'll also get:

- A new Two-position Lathe Tool Rest Arm

with lever-style Adjustment Screws and anti-rotation Post.

- A new Saw Table Insert.
- Larger Extension Table Top (does not include vertical mounting tubes).
- New steel Miter Gauge Bar with T-Slot Washer.
- A Special Sanding Disc Hub lets you use your old style steel Disc with the Lower Saw Guard.
- A new Pro Fence System 1 1/4" dia. Saw Arbor.
- All required fittings and hardware.
- Instruction Manual, fully describing alignment, maintenance, safety, tips and techniques.

**555142 Table System \$1,376.89**

### UPGRADE Retro-Fit Kit

**Important Note:** Due to the increased size of the Model 510 Work Table and how various accessories connect to it, some earlier Model 500 accessories may not fit the Model 510 upgrade. These include (but are not limited to) all Table Inserts, Front Table Extension, Rip Fence, Mortising Hold-Downs and some Saw Arbors.

*The Shopsmith Model 510 Table System Upgrade is a Special Truck Shipment item and requires an additional \$20 shipping fee.*

## MARK V Model 510 to 520 Pro Fence & Table Systems Upgrade

Add Direct-Reading Rip Fence Scales and a more versatile Rip Fence to your MARK V with the Model 510 Table System



The Model 520 Table System Upgrade has been engineered to give you even better precision, control and quality performance than you've come to expect from your MARK V with the Model 510 Table System. The professional-duty Fence features two interchangeable stainless steel Scales for direct-reading of rip cut widths ... plus ... twin locking Levers ... one for the infeed end of the Fence and another for the outfeed end to ensure a positive, precise fence lock-down, even when working with large and/or heavy workpieces. It drops straight down onto the fence rails without tipping or fiddling, then slides along the Rails on high-tech glides.

### Inside the Model 520 Table System Upgrade Kit:

- **Larger Rip Fence** is 24 1/2" long x 2 1/2" thick with dual T-Slot Tracks on the top surface and a T-Slot Track on *each* Face for mounting accessories such as:
  - Rip Fence-Mount Featherboard,

**555783 - Pg. 29**

- T-Track Utility Light Kit, **555806 - Pg. 76**
- Flip-Up Rip Fence Stop, **555808 - Pg. 76**

- **New Direct-Reading Rip Fence Scales** let you



set rip cut dimensions in an instant without measurement. Includes two magnetic, stainless steel Scales ... one 45" long with a "zero-point" 6 1/2" from the left end and 38 1/2" from the right end – and a second scale 16" long with a "zero-point" 6 1/2" from the left end and 9 1/2" from the right end. **See Page 7**

- New, wider Fence Straddler.
- (8) New Extruded Rails for Main and Extension Tables.
- All required fittings and hardware.
- Instruction Manual, fully describing alignment, maintenance, safety, tips and techniques.
- (2) Set-Up and Alignment Gauges.



### 510 to 520 Pro Fence System

**555982** For Model 510 MARK V's or Upgrades – 1986 or later **\$575.69**

**555983** For Model 510 MARK V's purchased or upgraded prior to 1986 **\$575.69**

**Anniversary / Model 505  
to Model 520 Upgrade**

**Enjoy increased workpiece support  
and precision with the Pro Fence  
System Table Upgrade Kit**



The Model 520 Table System Upgrade gives you everything you need to step your Anniversary MARK V with Model 505 Table System up to the super-versatile workpiece support system and enhanced Rip Fence of MARK Vs with the Model 520 Table System.

You'll get the professional-duty Pro Fence with Direct-Reading Scales, two Floating Extension Tables, plus Connector Tubes and Telescoping Legs to tie it all together into a System that will deliver optimum workpiece support.

**Here's what you get with the Model 520  
Table System Upgrade Kit:**

- **Larger Rip Fence** is 24 1/2" long x 2 1/2" thick with dual T-Slot Tracks on the top surface and a T-Slot Track on each Face.
- **(2) New Direct-Reading Rip Fence Scales.**  You get two magnetic, stainless steel Scales, one 45" long and one 16" long. [Bottom Page 5](#)
- **New, wider Fence Straddler.**
- **(8) New Rails for Main and Extension Tables.**
- **Two Floating Extension Tables** slide on Connecting Tubes and lock anywhere you want them.
- **Four 27" Connecting Tubes** slip through the Rails and tie the System together with locking Knobs.
- **Two Telescoping Legs** give added support. A quick twist locks their height.
- **All required fittings and hardware.**
- **Instruction Manual.**
- **(2) special Set-Up and Alignment Gauges.**

**555986 Model 505 Pro Fence & Table Upgrade** **\$791.67**

**Model 510 Extension Table Upgrade  
for Anniversary MARK V's with  
Model 505 Table System**

Add the (2) Floating Tables, (4) Connector Tubes and (2) Telescoping Legs and (2) T-Joint Leg Fittings to upgrade your Anniversary MARK V with Model 505 Table System to the Model 510 Table System

**555137 Model 510 Extension Table Upgrade** **\$412.00**

**MARK V Model 500 Upgrades**



**Rip Fence Upgrade for Model 500  
MARK V's offers T-Slot top surface  
and single Lever locking mechanism**

The convenient T-Slot on the Fence's top surface accepts our:

- Rip Fence-Mount Featherboard, **555783 - Pg. 29**
- Flip-Up Rip Fence Stop, **555808 - Pg. 76**
- T-Track Utility Light Bracket **521787 - Pg. 76**
- or shop-made fixtures using our Sliding T-Nuts, **514491 - Pg. 36**

The single, flip-up Lever locks both the front and the back firmly to the Work Table in one simple action. Also works with the original as well as the wider (555084 or 555085) Model 500 Extension Table.

**555646 Rip Fence** **\$128.92**



**Two upgrades bring added dust  
collection efficiency and safety to  
your MARK V**

**A. Lower Saw Guard Upgrade for MARK V's  
with serial numbers below 222396**

This is the Upgrade you want if you have a plastic Lower Saw Guard with a 1 1/4" dust collection port. Provides dual 2 1/4" ports for more efficient dust collection. Some drilling and tie bar modifications required.

**555294 Lower Saw Guard Upgrade** **\$58.30**



**B. For older model MARK V's with aluminum  
Upper and Lower Saw Guards**

This is the Upgrade you want if you have aluminum Upper and Lower Saw Guards with a 2 1/4" dust port. You'll get the Dual Port Lower Guard plus the See-Through Upper Guard with anti-kickback Fingers. Some drilling and tie bar modifications required.

**505875 Model 500 Clear Saw Guard System** **\$249.93**



ER M2 M7 500 505 510

**C**



**C. For older model MARK V's with Poly-V-Belt  
Drive System**

Earlier Model 500 MARK V's were produced with a single bearing Quill that could generate runout and wobble that will jeopardize the precision of your drilling, turning and other operations. This dual bearing Quill will solve that problem and improve your results on virtually every project. Installs easily, in less than an hour, by following the detailed instructions.

**555088 Model 500 Two-Bearing Quill Upgrade** **\$174.64**



ER M2

**D**



**D. 7 1/2" wide Model 500 Extension Table is  
nearly double the width of original Tables!**

Increases Table size from 4 1/4" wide to 7 1/2" wide, providing added support for many operations and up to 4 3/4" of on-table Rip Fence adjustment. Offset mounting extends ripping capacity even further. Order as a complete Table with Down Tubes – or save and order as a Top-Only version that can be mounted to your existing Model 500 Down Tubes.

**555084 Model 500 Extension Table Upgrade** **\$142.88**



ER M2

**555085 Model 500 Extension Table (Top Only)** **\$87.52**



ER M2

## Model 520 Rip Scale Upgrade Kit



### Set Rip Cut dimensions with lightning speed and precision

Install this Rip Scale Upgrade Kit and in about a half-hour, and you'll be instantly setting rip cut dimensions quickly and precisely.

A powerful magnetic strip attached to the top of each Rail holds your choice of a short or long precision stainless steel Scale that's graduated in both, 32nds and 16ths.

Choose the long Scale when making cuts from 6 1/2" to the left of the blade to 38 1/2" to



the right\* or the short Scale when making cuts from 6 1/2" to the left of the blade to 9 1/2" to the right.

Zeroing adjustments are easily made by

simply re-positioning the steel Scales on their magnetic holders. Once positioned, they will remain where you put them without shifting.

The Kit includes a new 17 1/2" Front Rail for your Main Table, (3) 7 1/2" Front Rails for your Extension Tables, a 16" long steel Scale, a 45" long steel Scale, a wide, easy-to-read Scale Indicator plus complete instructions and all required installation hardware.

**522292 Complete Rip Scale Kit \$199.87**



(for Model 520 Pro Fence  
MARK V's only)

**522269 38" Scale \$49.30**

**522270 9 1/2" Scale \$27.35**

\* Scales will also read in opposite direction, except numbers will be upside-down.

## Take the work out of the toughest woodworking operations with Shopsmith's versatile Special Purpose Tools



### Only Shopsmith packs full functionality into a limited amount of space

Shopsmith's Special Purpose Tools are the **only** full-sized stationary tools that you can pack **five** of into a tight corner of your garage or basement.

That's possible because they all use the MARK V as **both** their operating stand – **and** – their rugged, 1 1/8 hp, variable-speed power source! This means you won't have to try and cram a bunch of bulky, stand-mounted tools with separate motors and bases into your limited space.

When needed, simply retrieve them from their storage space, slip their twin Mounting Tubes into your MARK V's Headrest, attach the slip-on Power Coupler and go to work.



**Power  
Station &  
Tool Stands**  
See Page - 26

### Stand-Mount option

If you're planning to use a certain Tool frequently, you can also buy it with its own Power Stand (including motor) – or add the Power Stand later.



*Jointer*



*Bandsaw*



*Scroll Saw*



*Thickness Planer*



*Belt Sander*



*Strip Sander*

### Special Tools for Special Purposes



Although many woodworking operations may be possible with hand tools or portable electrics, they're usually faster, easier and far more precise when you use stationary, Special Purpose Tools, designed specifically for the job.

The term *Special Purpose Tools*, more often than not, is somewhat of a misnomer, since many of these tools are quite versatile and capable of performing a number of different, important functions.

Here are their **primary** purposes:

**The Jointer** – is a "must-have" tool if you're planning to build cabinets or furniture. Its purpose is to plane the edges of boards so smoothly that you can join them together into wide panels without unsightly glue lines.

**The Bandsaw** – cuts tight or sweeping curves with matchless speed and precision. And, since it offers a more generous depth-of-cut than

a table saw or circular saw, it's also often the best choice for cutting stock up to 6" thick.

**The Scroll Saw** – will amaze you with its extremely intricate, internal or external cuts (straight or curved) in stock up to 2" thick. This is a prime evolutionary example of what we used to call "jigsaws" – just far superior!

**The Thickness Planer** – will significantly improve the fit of your project components (and therefore, the *quality* of your projects) by seeing to it that every piece of stock you use is of a consistent thickness.

**The Belt Sander** – is an amazing work-saver that will provide precisely-adjustable back-up support while it quickly sands down or smooths stock up to 6" wide. It makes easy work of woodworking's most tedious task.

**The Strip Sander** – is an often overlooked machine that's great for all types of intricate sanding and *grinding* tasks ... as well as sharpening.

# The Shopsmith 11" Bandsaw – Easily makes straight or curved cuts in wood (up to 6" thick) plastics and non-ferrous metals



The Bandsaw brings so many unique, work-saving capabilities to the shop that it's easy to see why it consistently rates as our most popular Special Purpose Tool.

## What you'll do with your new Shopsmith Bandsaw

Although Bandsaws were originally developed to make curved cuts, it didn't take long before users realized that it offered a number of great, straight-line cutting advantages, as well. For example, not many Table Saws (commercial or otherwise) will cut stock up to 6" thick ... or cut metal. Here are a few of the jobs your Shopsmith Bandsaw is well-suited to tackle:

**CUT TIGHT OR SWEEPING CURVES** – No home shop saw will cut faster than a Bandsaw ... and with Shopsmith's generous-sized support table and full range of 1/16" to 5/8" wide Blades, you'll have just what you need to cut simple or intricate curves in wood, plastic and non-ferrous metals.

### MAKE COMPOUND CUTS TO CREATE 3-D OBJECTS

Curved table legs are often created by first cutting the required curves on the two opposing faces of a board – taping the scrap back into position – then rotating the board 90° and repeating the process.

**QUICKLY CUT WOODS UP TO 6" THICK** – Whether straight or curved, the Bandsaw is your best choice for cutting thick woods other saws just can't handle.

### RESAW THIN BOARDS FROM THICK ONES –

Sometimes, you need wood that's thinner than the "standards" for special projects. Armed with a Bandsaw and a 1/2" or 5/8" Resawing Blade, you can stand boards up to 6" wide on edge and "slice" thick boards into thinner ones, just like the lumberyards.

**PAD-SAW MULTIPLE ITEMS SIMULTANEOUSLY** – Need four identical bracket feet for a small clock or box? Use Double-Stick Tape to create a stack of boards of identical thicknesses (up to 6" total) and saw them all at once, then separate.

**CUT METALS, PLASTICS & OTHER MATERIALS** – When making straight or curved cuts in non-ferrous metals (up to 1/4" thick), plastics, rubber and other materials, no other home shop Saw will out-perform the Bandsaw.



## Loaded With Work-Saving, Results-Enhancing Benefits and Accessories



As with all Shopsmith Special Purpose Tools, your Bandsaw offers a number of great features and accessories helping make everything you make – better.

### MARK V or Stand Mount

Every Shopsmith Special Purpose Tool offers you the option of mounting and powering it with your Shopsmith MARK V – or with its own individual, motorized Stand.

### Large, Versatile Table

13 1/2" x 15 1/2" large for plenty of

support, with an easy-to-read scale for accurate tilt adjustments from 5° left to 45° right ... and a special T-Slot extrusion that you can *fine-tune* to fit your Miter Gauge precisely for smooth, wobble-free operation and enhanced precision.

Power Stand Information – See Page 26



### Unlimited Cut-Off Capacity on Workpieces up to 3 7/8" Wide

Exclusive Reversible Blade Guides allow you to twist the Blade to a 30° angle from the Saw's frame, so you can achieve this unusual capability.



### Easy Blade Tension Adjustments

It's as simple as matching the indicator on the Tension Gauge with the blade width you're using, and you don't even have to remove the Cover!



### A Full Range of Hard-Working Accessories

When you need accessories to help you perform specialized operations with your Shopsmith Bandsaw, we've got them. From a versatile Rip Fence to a Table Extension, Circle Cutter, special Cool Blocks and a full complement of Blades to make all types of cuts in a variety of materials.



See Pages 9 - 11

### 555943 Shopsmith 11" Bandsaw

**\$579.99**

Includes Instruction Manual and 1/4" Combination Blade (555419). Power Coupler required for use with Shopsmith MARK V, Power Stand or Power Station. **EB M2**



Power Coupler required for use with Shopsmith MARK V or Power Station

See Page - 26

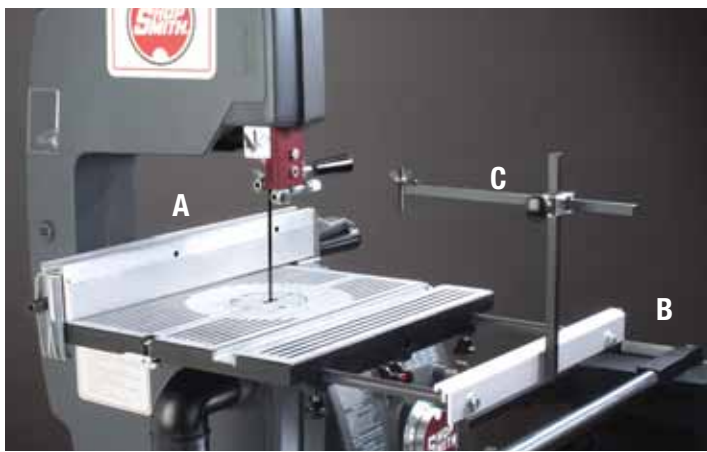
*The Shopsmith Bandsaw is a Special Truck Shipment item and requires an additional \$25 shipping fee.*

## Specifications

Cutoff capacity (Blade in normal position) ..... 10 1/2"  
Cutoff capacity (Blade offset – limited to 3 7/8" wide stock) ..... Unlimited  
Max. depth of cut ..... 6"  
Table size ..... 13 1/2" x 15 1/2"

Table tilt ..... 5° left to 45° right  
Table Auto-Stop ..... at "0"  
Bearings ..... Sealed ball, roller & needle style  
Speed (recommended) ..... 700 to 1,050 rpm  
Accepts Blades ..... 1/16" to 5/8"  
**\*NOTE: 1/16" Blades require optional Cool Blocks**

Blade tensioning ..... Set to built-in Scale adjustment  
Blade tracking ..... Automatic  
Weight ..... 45 lbs.



## Three-piece Accessory Package helps you get the most out of your Shopsmith Bandsaw

### A. Bandsaw Fence delivers improved straight-line cutting results

Self-aligning aluminum fence locks firmly into position on the Bandsaw Table with a twist of the Handle and a flip of the Locking Lever. Adjusts from "0" to 5" from Blade. Accepts Fence mounted accessories such as Flip-Up Stop, T-Track mounted Utility Light and Featherboards. For use on Shopsmith Bandsaws with aluminum tables only (shown here). **See Pages 29 & 32**

**555645 Bandsaw Fence \$105.45**

### B. Table Extension adds 11 1/2" of outboard Bandsaw Table support for improved workpiece control and precision

Slides into the twin Mounting Holes in the edge of your aluminum (only) Shopsmith Bandsaw Table to provide loads of extra support, as well as a Mounting Platform for the Bandsaw Circle Cutter (C) listed below.

**555488 Bandsaw Table Extension \$29.64**

### C. Circle Cutter helps you create perfectly round circles in a flash with your Bandsaw

Just attach to the Bandsaw Extension Table (B. above) and pivot your workpiece from above or below the table as you cut perfect circles from 2" to 36" in diameter. Requires Extension (555488)



**555489 Bandsaw Circle Cutter \$39.86**

**555668 Complete Bandsaw Accessory Pkg. (Includes A, B & C above) \$148.71**

**YOU SAVE \$18.00**

### Cool Blocks, extend Blade life



Cool Block Blade Guides are made of a special, non-metallic material that lubricates your Bandsaw Blades as they cut, keeping them cool and reducing the chance of premature breakage. And, since they won't damage Blade teeth, you can really snug them down for added stability when working with smaller blades. Required if you're using our 3/32" Blade (556261).

**555374 Cool Blocks Blade Guides \$19.24**

**556262 Kit, including Cool Blocks and 3/32" Blade (556261) \$41.48**

**YOU SAVE \$4.61**

### Adjust Bandsaw Blade tension instantly with out removing the Cover



The new Shopsmith Bandsaw Cover allows you to see when adjusting your blade tension without ever having to remove the cover! It also has an arrow to take the guess work out of which way your blade should run. The Shopsmith logo is in the mold, so there's no sticker to get scratched.

**522221 Bandsaw Cover \$67.40**

### Protect your Bandsaw with a custom-fitted Dust Cover



This rugged, cotton/polyester Cover is custom-sewn to the shape of your Shopsmith Bandsaw. The

special urethane coating repels moisture while a unique perforation process allows any moisture that might get in from below to escape, preventing rust and corrosion.

**517000 Bandsaw Dust Cover \$25.93**

### Eccentric Tubes let you raise your MARK V to vertical while Bandsaw is mounted on end



Designed to offset your Bandsaw in the MARK V Mounting Tubes just enough to allow you to raise the MARK V to Drill Press position without having to remove the Bandsaw from its Mount.

**555626 Bandsaw Eccentric Tubes \$44.48**

### Urethane Bandsaw Tires install without glue, improve tracking performance and outlast conventional rubber tires



These bright orange Tires have been manufactured to our exacting specifications for use with the Shopsmith Bandsaw. Made from a special urethane compound, they will improve blade tracking (especially with smaller blades)... repel sawdust build-up... and provide added durability over our standard rubber tires.

To install, submerge in hot (125° – *not boiling*) water for about 15 minutes to soften them... and stretch them onto your Bandsaw wheels. **No** glue is required.

The "welds" on these Tires are guaranteed for life. If they should fail, simply return them to the manufacturer for a replacement. Includes two Tires.

**522458 Urethane Bandsaw Tires \$35.99**

### Make your Blades last longer by occasionally replacing the Tires on your Bandsaw



Eliminate vibrations and ensure proper Blade tracking. Includes instructions.

**555644 Bandsaw Tire/Adhesive Kit \$21.79**

**518108 Bandsaw Tire (only) \$13.79**

## A full range of Shopsmith Bandsaw Blades to meet your most exacting requirements

**Choose Standard or Premium Blades, based on your service and budget needs**





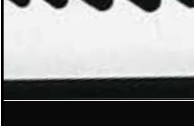



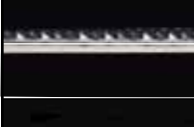


Whether you're cutting large sweeping curves; straight lines; tight, intricate fretwork; resawing thin boards from thick ones; or working with a variety of materials from non-ferrous metals through the softest of woods...Shopsmith has a Bandsaw Blade to do the job.

Both grades of Blades are made specifically for your Shopsmith Bandsaw from premium-quality, silicon carbon steel. All Blades (except 555386) have precision milled teeth for added sharpness and consistency of cut, compared to stamped-tooth Blades.

If a Shopsmith Blade breaks at the weld, we'll

**Lifetime Guarantee On Weld Integrity**

replace it...**FREE!** Premium Blades are induction heat-treated to ensure an even hardness, and feature a special tooth set and rake angle to provide more aggressive cutting with less pressure. This reduces heat built-up, prolonging Blade life substantially.

Approx. Actual Size	Part No.	Size	Style Quality	Teeth Per Inch	Tooth Config.	Min. Materials	Radius	Comments	Price
	N/A	1/16"	Combo Std.	24	Raker	Wood, plastics up to 1" thick	3/16"	For super-smooth, fine cuts. Requires <i>Cool Blocks</i> (555374) for use <b>See Page 9</b>	N/A
	555632	1/4"	Combo Std.	6	Hooked	Wood, plastics, plywood, soft non-ferrous metals	3/4"	Great, all-purpose Blade. Deep gullets and positive rake for fast chip removal and fine cut	\$17.78
	555633	1/4"	Combo Std.	14	Raker	Wood, plastics, non-ferrous metals	3/4"	3-tooth set sequence (left-right-straight) for fine finish cuts. Excellent metal-cutter	\$17.78
	555196	1/2"	Combo Std.	6	Raker	Wood, plywood, non-ferrous metals	2"	For woods up to 3" thick and metal work on stock up to 1/2" thick	\$17.78
	555421	5/8"	Wood Std.	3-4	Variable	Wood	NA	Strictly for resawing and straight-line cutting. Use 1/2" tension setting on Shopsmith Bandsaw	\$17.78
	555419	1/4"	Combo Std.	6	Hooked	Wood, plastics, plywood, soft non-ferrous metals	3/4"	<b>Standard with all Shopsmith Bandsaws</b> .025" thick	\$17.78
	555420	1/4"	Combo Std.	14	Hooked	Wood, plastics, plywood, soft non-ferrous metal	3/4"	Finer teeth than 555419 for finer cuts	\$17.78
	521984	1/8"	Combo Premium	14	Raker	Wood, plastics, plywood, soft non-ferrous metals	1/4"	Recommend <i>Cool Blocks</i> (555374) for use <b>See Page 9</b> .025" thick	\$29.84
	521985	3/16"	Combo Premium	10	Raker	Wood, plastics, plywood, soft non-ferrous metals	3/8"	.025" thick	\$29.84
	521986	1/4"	Combo Premium	10	Raker	Wood, plastics, plywood, soft non-ferrous metals	1/2"	.025" thick	\$29.84
	521987	1/2"	Wood Premium	4	Hooked	Wood or plywood up to 6" thick	2"	Aggressive-cutting 9° to 11° Rake Angle .025" thick	\$29.84



# Get added precision and control with the Kreg Deluxe Bandsaw Rip Fence

## Deluxe Fence increases your Bandsaw's ripping capacity and cutting versatility



This Fence System was designed exclusively for the Shopsmith Bandsaw. The rugged aluminum rail extrusions attach to the existing holes in the underside of late model Shopsmith Bandsaws with self-tapping bolts (included). Once attached, you'll have a 20" long by 2 3/4" high precision rip fence with a direct-reading scale that locks firmly into position with a single knob to rip stock up to 9 3/8" wide (that's 4 1/8" wider than our regular Bandsaw Fence). Its face and top surfaces both include preformed T-slots to accept Shopsmith's Flip Stops, Featherboards, and Utility Lights – or your choice of special, shop-made jigs and fixtures.

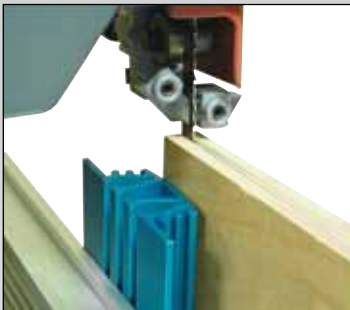
This Fence can also be laid down and attached to the mounting head horizon-

tally. The Fence face can also be used with your Premium Bandsaw Fence on the MARK V or other Shopsmith tools. **Note: Not for older model Bandsaws with cast iron worktables.**



Optional Micro-Adjuster

**Optional Micro-Adjuster** clamps into the Fence Rail T-Slot with a large, comfortable knob. Then, simply loosen the Fence Mounting Head and rotate the Micro-Adjuster's thumbwheel to gradually advance or retrieve the Fence by 1/20" with each full rotation.



Optional 4 1/2" high Resawing Guide

**Optional 4 1/2" high Resawing Guide** attaches to the T-Slot in the Rip Fence face. Its gently curved face allows you to follow a drawn line down the top edge of a board to be resawed ... compensating for blade *lead* as you go. The *Pros* say, these are the best style Resawing Fences!

522460	Mounting Rail & Hardware	<b>\$172.32</b>
556032	Front & Rear Fence Supports	<b>\$40.95</b>
556005	20" Premium Bandsaw Fence	<b>\$62.95</b>
556030	Complete Bandsaw Rip Fence System <i>(Includes Mounting Rail &amp; Hardware, Front &amp; Rear Fence Supports and Premium Bandsaw Fence)</i>	<b>\$220.49</b>
522511	Bandsaw Fence Micro-Adjuster	<b>\$17.63</b>
522514	Bandsaw Fence Resawing Guide	<b>\$20.84</b>
556031	Deluxe Bandsaw Fence System <i>(Includes Complete Bandsaw Rip Fence System, Micro-Adjuster &amp; Resawing Guide)</i>	<b>\$220.47</b>

## Bandsaw Upgrades

### Bandsaw Dust Chute eliminates dust and debris at the source



*For earlier model Bandsaws without Dust Chutes*

Includes all mounting hardware and instructions.

**300000** Retro-Fit Bandsaw Dust Chute **\$19.39**

### Make your older model Shopsmith Bandsaw run smoother and quieter



#### NO MORE SQUEALING!

If the backup rollers on your older model Shopsmith Bandsaw are worn or driving you crazy with their incessant squealing, **here's your solution!**

Permanently lubricated Ball Bearing Assemblies work with 1/16" through 5/8" Blades to reduce friction and make your Blades last longer. For Bandsaws with serial numbers prior to 97932. Replaces Upper, Lower and Auto-Track Back-Up Rollers. Easy to install.

**555074** Bandsaw Retro-Fit Kit **\$32.97**

### Step up to the precision and convenience of Shopsmith's current Bandsaw Table System

*For earlier model Bandsaws with cast iron tables*

Now, you can enjoy our new, 45% larger aluminum Bandsaw Table with all its provisions for our Bandsaw Rip Fence, Table Extension and Circle Cutter.

**See Page 9** Order just the Table now and add accessories later – or order the complete Table System and save!

**555667** Bandsaw Table System **\$246.59**  
*(Includes Fence, Extension Table, Circle Cutter & Table Retro-Fit Kit)*  
**YOU SAVE \$22.30**

### Bigger is better with the Table Retro-Fit Kit

40% larger, tilts a full 45°, with an adjustable table insert. Required to use with our Bandsaw Fence, Table Extension and Table Retro-Fit Kit.

**555487** Bandsaw Table Retro-Fit Kit **\$129.77**  
*(Table only)*

# The Shopsmith 20" Scroll Saws – MARK V or Stand-Mount feature-for-feature, they're both hands-down Winners!



The Scroll Saw is one of the safest and easiest to use of all stationary power tools – and that's what makes it your best choice for introducing adults and children alike to "The Joys of Woodworking."

It's delicate enough to saw thin veneers or inlays, intricate fretwork or mother-of-pearl – yet powerful enough to slice through brass, bone, plastics and hard or soft woods up to a full 2" thick with ease and safety.

Its special Blade Blocks hold all 5" plain end Fretsaw or Jigsaw Blades from 1/4" wide down to super-fine Blades for making extremely intricate cuts. And, where old style Jigsaws only powered their Blades on the down stroke (making smooth cuts in thick wood almost impossible), Scroll Saws power their Blades on **both** the down (cutting) and up (return) stroke.

This constant tension action delivers far more positive control over the cut and helps prevent premature blade breakage. And, with a little practice, your cuts will be so smooth you won't have to do any sanding at all!

## What you'll do with your new Shopsmith Scroll Saw

**CREATE ONE-OF-A-KIND CRAFT PROJECTS** – From puzzles to jewelry, to signs to intricate fretwork projects, the Scroll Saw is the saw of choice for crafts people. It will tackle all types of materials and make super-fine, super-smooth cuts in all of them.

**PERFORM TASKS THAT ARE DIFFICULT FOR OTHER SAWS** – Other saws can't match the performance of a Scroll Saw for jobs like:

- Making intricate, internal *piercing* cuts in veneer-thin to 2" thick woods – plus – metals, plastics, rubber and other materials.
- Creating small, hand-cut-looking dovetails, corner-lap, mortise-and-tenon and similar joints.
- Cutting out super-small projects or components that are either too small or too dangerous to handle on other sawing machinery.
- *Coping* the inside corners of "off-angle" moldings that may otherwise be difficult to fit.

**HAVE SOME GREAT WOODWORKING FUN!** – The most frequently reported problem with Scroll Saws is that they're so versatile and so much fun to use that they can often become *addictive*. You'll love it!

## Loaded With Work-Saving, Results-Enhancing Benefits and Accessories

As with all Shopsmith Special Purpose Tools, your Scroll Saw offers great features and accessories to help you make everything you make – better.

### MARK V-Mount

Every Shopsmith Special Purpose Tool offers you the option of mounting and powering it with your MARK V – or on a motorized Stand.

**Parallel Arm Action** – Blade moves forward on the down stroke, back on the up stroke to clear the sawdust and help you achieve perfect 90° turns and corners every time. (Upper Arm is totally enclosed for safety.)

**Huge 16" x 23 1/2" Table** – Provides more than enough support (plus a full 20" of throat depth) for your largest projects. Tilts to 45° in both directions on a direct-reading Quadrant and locks solidly with a simple twist of a Knob.



**Fast, 30-second, tool-less Blade attachment** – A quick, quarter-turn of the Blade-locking Thumb Nuts is all it takes. No tools, and no fumbling required.

### Time-saving dual Blade tensioning controls

Rear, flip-up Lever provides primary tensioning during Blade changes while up-front Release allows rapid tensioning when removing and re-inserting blades through cut-outs during internal *piercing* cuts.



**Clear, see-through Upper Guard** – Lets light in, then flips up and out of the way for quick, tool-free Blade changes.

**Hold-Down with Dust Blower** – Provides vertical Blade guarding with a single Knob height adjustment plus a built-in Blower to keep your cutting line free of dust and debris at all times.

**Heavy, zinc alloy Base** – Dampens vibrations for super-smooth running.

**555715 Shopsmith MARK V Mount Scroll Saw \$699.99**  
Includes Instruction Manual and one pack of 18 Assorted Blades (518368)

**555722 Leveling Feet \$12.56**

*The Shopsmith Scroll Saw is a Special Truck Shipment item and requires an additional \$25 shipping fee.*



**Power Coupler required for use with Shopsmith MARK V or Power Station**

See Page - 26

## Choose the Shopsmith Scroll Saw Model that best meets your needs

SPECIFICATIONS	MARK V Mount	Free-Standing	Stand-Mounted (w/555369 Stand)
Arm style	Parallel action	Parallel action	Parallel action
Throat capacity	20"	20"	20"
Table size	16" x 23 1/2"	16" x 23 1/2"	16" x 23 1/2"
Table tilt	45° left & right	45° left & right	45° left & right
Max. depth-of-cut	2" (wood)	2" (wood)	2" (wood)
Length of stroke	7/8"	7/8"	7/8"
Strokes-per-minute	Variable: 250 - 1450 rpm	Variable: 500 - 1450	Two 4-speed ranges* HI: 265, 395, 675, 990 LO: 190, 300, 475, 700
Blade type required	5" plain end	5" plain end	5" plain end
Drive type	MARK V Speed Dial	Electron. variable speed	Belt & (2) 4-step pulleys
Motor type	MARK V Headstock	1/8hp, 115V, 60hz	1/2hp, 115V, 60hz
Switch type	MARK V Headstock	Safety toggle, recessed	Safety toggle, recessed
Weight	62 lbs.	81 lbs.	81 lbs.

\* Two speed ranges achieved by swapping Tool and Motor Pulleys.

### Three ways to order your Shopsmith Scroll Saw

- 1. If you'll be using your Scroll Saw often, or plan to take it to craft shows ...** our Free-Standing Model is probably your best choice.
- 2. If you're only going to use your Scroll Saw occasionally ... or have a limited budget ...** our MARK V Mounted Model is probably best for you.

- 3. If you're not certain but think** you may eventually want a Free-Standing Model ... you can always start out with a MARK V Mount Model now, then order a Power Stand later as your budget permits.

[See Page 26 for Power Stand information](#)

### Make your Free-Standing Shopsmith Scroll Saw portable with these Retractable Casters



Two-step Pedals lift your Free-Standing Scroll Saw up 1/4" or 1/2" off the ground for each movement, then settle it down for work. Includes all mounting hardware. **NOTE:** These Casters are *only* for the Free-Standing Scroll Saw and will *not* work with 555369 Stand.

**555457** Free-Standing Scroll Saw Casters **\$96.43**

### Protect your Scroll Saw with our custom-fitted Dust Cover



Our rugged cotton/polyester Cover is custom-sewn to the shape of your Shopsmith Scroll Saw (either MARK V Mount, Free-Standing or Stand-Mount Model). The special urethane coating repels moisture while a unique perforation process allows any moisture that might get in from below to escape, preventing rust and corrosion.

**515308** Scroll Saw Dust Cover **\$25.93**

## Scroll Saw Upgrades



### A. Upgrade your older model Shopsmith Scroll Saw for super-fast Blade changes

**For owners of Shopsmith Scroll Saws with part numbers 555220 or 555272**

Now, you'll be able to disengage and re-engage Scroll Saw Blades from the front of the machine in 10 seconds for super-quick changes when making multiple internal *piercing* cuts – or – to change blades completely in just 30 seconds!

Tensioning will also be easier, thanks to our new flip-on, flip-off Lever actuated system. Plus ... you'll have a much better view of your workpiece as you look through the replacement plastic See-Through Hood.

**Kit includes:** See-Through Plastic Hood, Hold-Down Foot/Guard, Rear Tension Lever, up-front Quick Tension Release Lever and Quick Change Blade Block System.

**555706** Scroll Saw Blade Change System Upgrade Kit **\$52.57**

### B. Update your Scroll Saw's Blade Block Upgrade Kit

Now, you can quickly install and remove Scroll Saw Blades from the front of the machine when making multiple internal *piercing* cuts. These new Upper and Lower Chucks attach directly to the Arms of your Saw (just like those in the Upgrade Kit above), and allow you to change Blades without the need for Allen Wrenches or fumbling with removable Blade Blocks.

Owners of other Model Shopsmith Scroll Saws who wish to upgrade, should order the 555706 Kit above.

**555708** Scroll Saw Blade Block Upgrade Kit **\$35.78**

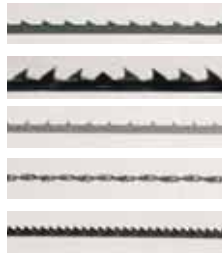
# A full range of Shopsmith Scroll Saw Blades to meet your most exacting requirements

## Assorted Blade Pack gives you 18 of the most universal-sized Ground Tooth Blades at a nice savings

Includes one package each of our three Ground Tooth Blades (911342, 911343 and 911344). Standard with all Shopsmith Scroll Saws.

**518368** Assorted Scroll Saw Blade Pack **\$20.27**

## Blade Profiles



- ▮▮▮▮▮ Precision Ground Tooth
- ▮▮▮▮ Skip Tooth
- ▮▮▮▮ Reverse Skip Tooth
- ▮▮▮▮ Spiral
- ▮▮▮▮ Metal Cutting

## Cut blade changing times down to size with these momentary foot switches



Perfect for use with Scroll Saws and other machines. Tool is only on when your foot is on the switch. Great for rapid blade repositioning when making Scroll Saw piercing cuts.



13 AMPS – 8-foot Cord, no Safety Guard.

**521666** Unguarded **\$39.29**  
Momentary Switch

Style	Part No.	Price	Size	Width	Thick-ness	Teeth Per In.	Materials	Comments
Precision Ground Tooth	911342	\$6.96 (6)	5RG	.044"	.018"	12 / 9 REV	Wood, non-ferrous metals and virtually all materials	Rapid chip removal w/ minimal burning. Cut very fast and smooth. <i>Best all-around</i>
	911343	\$6.96 (6)	7RG	.046"	.018"	10 / 7 REV		" <i>Best all-around</i>
	911344	\$6.96 (6)	9RG	.048"	.018"	8 / 6 REV	Wood, plastics fibrous materials	" <i>Best all-around</i>
Skip Tooth	555262	\$6.96 (12)	9	.053"	.018"	11.5	Wood, plastics fibrous materials	Fast-cutting, improved chip clearance, smooth finish
	911388	\$6.96 (12)	7	.045"	.017"	11.5		
	555263	\$6.96 (12)	5	.038"	.016"	12.5		
	555264	\$6.96 (12)	2	.029"	.010"	20		
	911389	\$6.96 (12)	2/0	.022"	.010"	28		
Reverse Skip Tooth	555265	\$6.96 (12)	—	.100"	.022"	9 / 5 REV	Wood, plastics fibrous materials	Same as above with reverse cut bottom teeth to minimize splintering
	555366	\$6.96 (12)	12R	.062"	.024"	9.5 / 6 REV		
	911390	\$6.96 (12)	7R	.047"	.017"	11.5 / 8 REV		
	911391	\$6.96 (12)	5R	.038"	.016"	12.5 / 9 REV		
	Spiral	555361	\$7.98 (12)	0	.026"	—	46	Wood, non-ferrous metals and virtually all materials
555362		\$7.98 (12)	2	.035"	—	41		
555363		\$7.98 (12)	4	.041"	—	36		
Metal-Cutting		911392	\$8.46 (12)	7	.041"	.019"	30	Non-ferrous metals & hard materials
	911393	\$8.46 (12)	9	.049"	.022"	25		
	911394	\$8.46 (12)	12	.070"	.023"	20		

## Relieve foot stress and backaches with our Anti-Fatigue Mat



This cushioned sponge vinyl Mat lets you stand for long periods of time on hard surfaces (such as basement or garage shop floors) without tiring. 3/8" thick x 27" wide x 60" long.

**721049** Anti-Fatigue **\$42.64**  
Mat



"I've owned a MARK V since 1978 and have used it to build hundreds of (small and large) projects in a tiny basement shop. Anyone who says you need a barn-sized shop to build top quality projects, obviously doesn't know a MARK V owner!"  
~ Don P., Dayton, OH

# The Shopsmith 6" Belt Sander – Big 6" wide belt and loads of great features eliminate hours of tedious hand sanding!



Few tools will save you more work and time than a Belt Sander. Its straight line action removes stock quickly and easily ... then smooths surfaces and edges to a glass-like surface by changing to a fine grit Belt.

## What you'll do with your new Shopsmith Belt Sander

Belt Sanders are the ideal tool for smoothing the surfaces and edges of both narrow and wide boards. You'll use it to make easy work of home shop sanding jobs such as:

- Removing unsightly mill marks from sawn stock.
- Sanding bevels, miters and other cuts while using the Table to maintain a precise angle or size.
- Contour sanding odd-shaped workpieces on the back side of the Belt (which runs free without a Back-Up Plate).
- Sanding protruding joinery (finger laps, lap joints, mortise-and-tenons, dovetails, etc.) flush with workpiece edges or surfaces.
- Sanding small or unusually-shaped parts that may be difficult or impossible to hold for sanding with hand-held power sanders.

When you want to remove stock quickly, sand **across** the grain. When you want to smooth stock, sand **with** the grain. In fact, thanks to its straight-line cutting action, you can produce surfaces or edges that are *smooth as glass* and *straight as an arrow* by merely changing to a fine grit belt.

When you need true 90° **edges**, position the Work Table along the side of the Belt so its surface is 90° to the Belt surface ... then use the Table as a precision *Rip Fence-type* guide.

When you need precise, **2-way 90° corners**, position the Work Table across the Belt with its surface 90° to the Belt surface ... then use the Table as a precision back-up to maintain the angle of the stock during sanding.

When you need precise, **3-way 90° corners** just use your Belt Sander's Table slot to bring your MARK V's Miter Gauge into the equation for even more control.

## Loaded With Work-Saving, Results-Enhancing Benefits and Accessories



As with all Shopsmith Special Purpose Tools, your Belt Sander offers a number of great features and accessories to help you make everything you make – better.

### MARK V or Stand Mount

Every Shopsmith Special Purpose Tool offers the option of mounting and powering it with your Shopsmith MARK V or with its own, individual, motorized Stand.

See Page 26 for Power Stand information

### 6" x 9" Support Table

Tilts and locks into position to help you control sanding angles and to act as a back-up during certain operations. It may be used across the Belt, parallel to it on either side, or at any angle for support when surfacing or edging stock. Your MARK V's Miter Gauge or the Shopsmith Tenon Master Jig [See Page 45](#) may be used with the Table for added control.



### Automatic Belt Tensioning & Tracking

Just twist the Tensioning Knob until it clicks to release the tension for Belt changes. Then, depress the Knob release Lever and everything snaps back to *normal* automatically. No tension settings required. Special High-Crown Drum helps to keep the Belt on-track at all times, without the need for constant adjustments.

### Free-Running Belt On Back Side

Since the back side of the Belt has no back-up Plate, it will flex and give to match the external contours of workpieces like the leg shown here.



### Built-In Dust Collection Port

2 1/2" Dust Collection Port helps you capture the fine dust created by your Belt Sander **before** it gets into your shop environment.

### Auxiliary Power Shaft



5/8" Shaft extends from the Drive Roller to accept the Shopsmith Drum Sander. Or, use your Shopsmith 1/4" Router Chuck [See Page 16](#) to hold our Small Drum Sanders. [See Page 72](#)

## 555355 Shopsmith 6" Belt Sander

Includes Instruction Manual and one 80-Grit Belt (555680)

**\$549.46**

*The Shopsmith Belt Sander is a Special Truck Shipment item and requires an additional \$25 shipping fee.*



**Power Coupler required for use with Shopsmith MARK V or Power Station**

See Page - 26

## Specifications

Belt Size .....	6" x 48"	Backup Plate .....	6" x 16 1/2" (14" to the left [or above] Table surface	Drums .....	(2) 3" diameter Drive Drum rubber coated
Work Table Size .....	6" x 9"	Bearings .....	(4 Ball) Two on Drive Drum Two on Idler Drum	Speed .....	1,150 to 1,900 rpm (recommended)
Table Tilt .....	"0" to 20° into Belt 45° away from Belt			Weight .....	36 lbs.

## Open-Coat Aluminum Oxide Sanding Belts offer extended durability

These 6" x 48" open-coat Aluminum Oxide Belts cut fast and are more resistant to clogging than their closed-coat counterparts. Made with a heavyweight "X"-grade cloth backing for optimum durability under continuous use, the Aluminum Oxide composition of our belts makes them the preferred abrasive for most machine sanding operations.



<b>555006</b>	150-grit – Ultra Fine (1)	<b>\$11.54</b>
<b>555402</b>	150-grit – Ultra Fine (4)	<b>\$43.14</b>
<b>555005</b>	120-grit – Very Fine (1)	<b>\$11.54</b>
<b>555401</b>	120-grit – Very Fine (4)	<b>\$43.14</b>
<b>942191</b>	100-grit – Fine (1)	<b>\$11.54</b>
<b>555399</b>	100-grit – Fine (4)	<b>\$43.14</b>
<b>555680</b>	80-grit – Medium (1)	<b>\$11.54</b>
<b>555400</b>	80-grit – Medium (4)	<b>\$43.14</b>
<b>555367</b>	60-grit – Coarse (1)	<b>\$11.54</b>
<b>555403</b>	60-grit – Coarse (4)	<b>\$43.14</b>

<b>942193</b>	Belt Assortment Pkg. Includes one each – 80, 100 & 120 grit belts	<b>\$28.97</b>
<b>942194</b>	Belt Assortment Pkg. Includes one each – 60, 100 & 150 grit belts	<b>\$28.97</b>
<b>YOU SAVE \$5.65</b>		

### Our 1/4" Router Chuck lets you use Shopsmith's Extra Long Drum Sanding Set on your Belt Sander's Auxiliary Shaft



Just slip this Router Chuck onto your Belt Sander's Auxiliary Shaft and you'll be ready to Drum Sand all types of projects with our 1/4" shaft Extra Long Drum Sanding Set. A better choice than using your Drill Chuck, since most geared Chucks (including ours) are not designed to withstand side deflection pressure.

**514632** 1/4" Router Chuck **\$22.21**



#### Drum Sanding Accessories

Use any of our Drum Sanders on your Belt Sander's Auxiliary Spindle - Page 72



### Safety Push Block keeps your hands out of harm's way

Ergonomically designed device features canted handle to help keep your knuckles from being skinned

by Fences and other devices that could get in the way. Non-slip rubber bottom pad.

**518220** Push Block **\$24.41**



### Dust Respirator is always a good idea when Sanding

Uses a special Organic Vapor Cartridge to block out harmful dust, mist and most sprays. Made of a soft, rubber-like material that conforms snugly to the contours of your face and provides a comfortable fit.

**522503** Dust Respirator **\$30.98**

**522502** Replacement Cartridges (2) **\$15.77**

**521409** Pre-Filter **\$4.44**  
*Required for proper and optimal use*

### Cleaning Stick makes Belts last four times longer!



Just hold this special Stick against your moving Belt, Disc or Drum and watch as they're cleaned to as-new

condition. 1 1/2" x 1 1/2" x 8" long. A real money-saver.

**753523** Abrasive Cleaning Stick **\$10.99**

### Protect your Belt Sander with this rugged, fitted Cover



This rugged, cotton/polyester cover is custom-sewn to the shape of your Shopsmith Belt Sander. The special urethane coating repels moisture while a unique perforation process allows any moisture that might get in from below to

escape, preventing rust and corrosion.

**515302** Belt Sander Cover **\$25.93**

## Belt Sander Upgrade

### Belt Sander Retro-Fit Kit dramatically improves dust collection efficiency

For Shopsmith Belt Sanders made before 8/87



Lets you switch from a small diameter, 1 1/4" port to a **double-sized** 2 1/2" diameter

port for far superior dust collection. Includes all mounting hardware plus an Elbow to help prevent hose kinking.

**300002** Belt Sander Retro-Kit **\$22.85**



# The Shopsmith 4" Jointer – Delivering the super-smooth edges you need for professional-looking results on all your projects



Since Jointers are frequently referred to as *Jointer/Planers*, they're one of the most misunderstood of all woodworking machines. Here's the *straight scoop*.

## What you'll do with your new Shopsmith Jointer

Jointers are used to smooth and square board **edges** in preparation for glue-up into wider panels ... mostly for cabinet and furniture projects. Thickness Planers, on the other hand, are used to bring boards to a precise, pre-determined thickness by *shaving* their **surfaces** and making them parallel with one another. [More about this on Page 21](#)

So, can you "thickness" on a Jointer? The answer is yes – **and** – no. Although a Jointer will plane and smooth surfaces (no wider than its Knives), since they offer no provisions for keeping one surface of your stock parallel with the other, true "thicknessing" isn't normally a job for the Jointer.

How big should a Jointer be? If it's going to be used primarily for planing the **edges** of boards (with only an occasional need to **surface** narrow stock) – and since few people work with stock thicker than 4" – why pay for capacities you don't need?

## Here are a few other jobs your Shopsmith Jointer will handle quite nicely:

**BEVEL OR CHAMFER EDGES** – Create smooth, precisely beveled or chamfered edges on boards for angled cabinetry; making decorative interior or exterior columns; creating a bowl or vase glue-up for lathe turning; or cooperage (barrel/container-making) projects. No sanding required!

**ELIMINATE CUPPING** – Boards are often *cupped* or hollow on one side. As long as they're no wider than 4", you can eliminate this *cupping* with a few light Jointer passes. This will, of course, change board thickness.

**SQUARE LARGE STOCK** – Squaring large (thick) stock on a Table Saw can often tax its capabilities ... especially with resinous woods. Use your Jointer to deliver a perfect 90° angle on stock up to 4" thick every time. No sanding required!

**FORM PRECISION EDGE RABBETS & TONGUES** (up to 3/8" deep) – Form a perfect, 90° rabbet or tongue (for tongue-and-groove joints) along the edge of a board with your Shopsmith Jointer. No sanding required!

**TAPERING** – Just clamp a stop block to your Jointer's Fence and you can cut perfect tapers for table legs, stair or deck posts and more. No sanding required!

**CREATE OCTAGONAL COLUMNS OR POSTS** – Just set the Jointer Fence at 45° and make a series of passes to "pre-round" square stock for Lathe-spindle turning ... or to create perfect octagonal columns or posts. No sanding required!

## Loaded With Work-Saving, Results-Enhancing Benefits and Accessories



As with all Shopsmith Special Purpose Tools, your Jointer offers a number of great features and accessories to help you make everything you make – better.

### MARK V or Stand Mount

Every Shopsmith Special Purpose Tool offers you the option of mounting and powering it with your Shopsmith MARK V – or with its own, individual, motorized Stand.

[Power Stand Information – See Page 26](#)

### Safety Featherguard

Special Guard is spring-loaded to exert continuous pressure against the workpiece, forcing it against the Fence while you make your cuts. To increase or decrease tension, just loosen the Tension Adjustment Knob, move it along its adjustment arc and tighten.



### Simple Knife Leveling and Clamping System

Your Shopsmith Jointer's individual Knife leveling screws let you adjust each Knife end up-and-down individually to compensate for variations created during sharpening. As a result, you'll be able to sharpen your own Knives using our special Planer/Jointer Knife Sharpener, without the need for costly professional match-grinding. [See the next page for more about the Planer/Jointer Knife Sharpener.](#)



### Full Tilting Fence

The Fence on your Shopsmith Jointer tilts up to 45° **left or right** and offers adjustable auto-stops at common angles for rapid adjustment convenience.




### Built-In Dust Collection Chute

Built-in 2 1/2" Dust Collection Chute helps you capture the dust and debris **before** it gets into the shop environment.

**555483** Shopsmith 4" MARK V Mount Jointer

**\$529.19**

*Includes Instruction Manual and two Safety Push Blocks.*  



*Power Coupler  
required for use with  
Shopsmith MARK V or  
Power Station*

[See Page - 26](#)

*The Shopsmith Jointer is a Special Truck Shipment item and requires an additional \$25 shipping fee.*

## Specifications

Max. width of cut .....	4"	Overall Table length .....	28"	Knives .....	3 precision-ground steel
Max. depth of cut (single pass) .....	1/8"	Fence .....	3" x 21 3/4"	Bearings .....	2 sealed, ball bearings
Max. depth of rabbet cut .....	3/8"	Fence tilt .....	45° left to 45° right	Speed (recommended) .....	3,900 – 6,200 rpm
Infeed Table .....	5 1/2" x 13 1/4"	Fence auto-stops (Adjustable @) .....	45°, 90° & 45°	Weight .....	53 lbs.
Outfeed Table .....	4 1/2" x 13 1/4"	Cutterhead diameter .....	2 1/2"	<b>Mounts on MARK V, Power Stand or Power Station</b>	

**Save time and money – sharpen your own Planer and Jointer Knives with this handy Jig**



Don't let nicked or dull Planer or Jointer Knives stop your projects dead in their tracks ... or ruin their appearance. Now you can precision grind your own Planer or Jointer Knives with this easy-to-use device.

Just clamp your Knives into this special Jig, grasp the two large handles and sharpen them to a keen, nick-free edge, using our Conical Sanding Disc or Disc Kit.

**Conical Sanding Discs – See Page 73**

Special nylon glides on the back and bottom surfaces smooth the Jig's travel. A simple, fail-safe system, complete with step-by-step instructions for use.

**555471 Planer/Jointer Knife Sharpener \$74.83**

**Be Prepared! Spare set of Jointer Knives can keep you working through emergencies**



Set of three hardened steel knives, precision match-ground to Shopsmith's exacting requirements. Our rigid quality control standards ensure that every knife blade will be exactly the same size, with the same precision edge bevel to guarantee accurate cuts, even if used in conjunction with old blades! Once the blades are ground and honed to produce a keen cutting edge, they are treated with a special rust preventive solution for lasting serviceability.

We recommend having a spare set of knives handy at all times, in case of accidental nicking. This way, "down time" will be kept to an absolute minimum, and you will be able to continue work on your project without interruption.

**505640 Replacement Jointer Knives \$49.99**

**Auxiliary Fence Pkg. helps you work safer and with improved stability**



This 7<sup>3</sup>/<sub>4</sub>" high Fence attaches quickly to your Jointer or MARK V Rip Fence and offers a smooth-gliding, laminate-covered surface. Use it for added support when working with wide boards. Also accommodates two Featherboard hold-downs for increased safety when jointing narrow, difficult-to-hold boards. Order the Fence only – or as a Pkg., including 2 Featherboards.

**555655 Auxiliary Fence Pkg. \$69.92**  
**YOU SAVE \$5.37**

**555653 Auxiliary Fence (only) \$57.84**

**555654 Featherboards (2) \$17.45**

**Protect your Jointer with this rugged, custom-fitted Cover**



This cotton/polyester cover is custom-sewn to the shape of your Shopsmith Jointer. The special urethane coating repels moisture while a unique perforation process allows any moisture that might get in from below to escape, preventing rust and corrosion.

**515303 Jointer Cover \$23.57**

**Jointer Upgrades**



**A. Jointer Dust Chute Retro-fit Kit collects shavings at the source**

**For Shopsmith Jointers with serial numbers prior to 70,000**

Update older Shopsmith Jointers for improved dust collection. Includes: rear blade guard, inner guards and chip chute. Some drilling and tapping required.

**555077 Jointer Dust Chute Retro-fit Kit \$34.22**



**B. Jointer Featherguard Retro-fit Kit improves safety and precision for Shopsmith Jointers with aluminum Blade Guards**

**For Shopsmith Jointers with aluminum Blade Guards**

Dual-purpose Guard covers rotating knives to keep hands out of harm's way. Single knob adjusts featherboard tension to hold workpiece against Jointer fence for more precise cuts.

**NOTE:** You may need to purchase the Retro-fit Installation Kit listed below.

**555480 Jointer Featherguard Retro-fit Kit \$53.91**



**C. Jointer Featherguard Retro-fit Installation Kit (for B, above)**

Includes (1) #3 drill bit, (1) 1/4-28 tap and (1) tap handle for installing the Jointer Featherguard Retro-fit Kit listed above.

**NOTE:** If you already own these tools, you will not need to purchase this Kit.

**555559 Jointer Featherguard Retro-fit Installation Kit \$16.57**



**Jointer Tips & Techniques**

**Two tips for jointing highly figured woods**

1. Wipe the board with a damp cloth a few minutes prior to jointing to soften the wood fibers.
2. Attach a long, shop-made, wooden wedge (4" high is preferred) to your Jointer Fence that tapers from about 2" thick at the infeed end to about 1/2" thick at the outfeed end. This Fence will force the wood to cross the Jointer Knives at a slightly skewed angle, resulting in a smoother cut.



# The Shopsmith Strip Sander – Saves hours of tedious sanding, grinding and sharpening of wooden, metal or plastic shapes



## Loaded With Work-Saving, Results-Enhancing Benefits and Accessories



As with all Shopsmith Special Purpose Tools, your Strip Sander offers a number of great features and accessories to help you make everything you make – better.

### MARK V or Stand Mount

Every Shopsmith Special Purpose Tool offers the option of mounting and powering it with your Shopsmith MARK V – or with its own, individual, motorized Stand.

See Page 26 for Power Stand information

### Oversized Tilting Table

Large 11" x 11" die cast aluminum Table tilts from "0" to 45° for accurate beveling or sharpening jobs. Generous size provides plenty of support for your most critical jobs.



The Strip Sander is an often forgotten, value-priced workshop addition that will save you countless hours of tedious work sanding or grinding intricate external or internal shapes. In addition, it's also a fabulous choice for polishing or sharpening chisels and other edged shop and garden tools.

### What you'll do with your new Shopsmith Strip Sander

The narrow belt (1" or 1/2") Strip Sander will give you the same kinds of work-saving convenience you're accustomed to with full-sized Belt Sanders ... just on a smaller scale. You'll use it to make easy work of intricate sanding, grinding and sharpening jobs such as:

- Smoothing the external edges of small craft, model or delicate miniature projects. It's the perfect companion for your Bandsaw or Scroll Saw.
- Using its unique Belt *re-thread* capability to sand or grind the intricate internal cut-outs on all types of projects.
- Grinding metal objects or shaping plastic parts.
- Sharpening lawn and garden tools.
- Putting a keen cutting edge on bevel-edged or turning chisels using our optional Chisel-Sharpening Attachment [See Page 20](#)

You'll find a full range of available belts from 50-grit to 600-grit – and either 1" or 1/2" widths. There's virtually no small-scale job your Shopsmith Strip Sander can't tackle.



*My workshop is equipped with my Shopsmith MARK V, a Bandsaw and a Jointer. I also have a free-standing Planer, Scroll Saw, Belt Sander, Dust Removal System and a Router. I can honestly say there seems no end to what the combination of my equipment can produce.*

~ Russ Troisi, Panama City Beach, FL

### Interchangeable Flat and Curved Platens



You'll get three interchangeable Platens to support the Belt during straight or curved sanding or grinding jobs. Choose from 1" or 1/2" wide Flat Platens or the 1/2" radius Curved Platen. You can also remove the Platen completely for unsupported light sanding of delicate workpieces.



### Exposed Upper Tracking Wheel

Perfect for sanding the flowing external curves of valances, decorative trim and similar projects.

### Simple Tracking Adjustments and Automatic Belt Tensioning

A quick twist of the single Tracking Knob keeps the Belt running straight and true ... while the spring-loaded Tracking Wheel automatically keeps the Belt on-track, without fiddling.



### Built-in Dust Collection Port

Just connect the hose from your Shopsmith Dust Collector to the Port and go to work, as the sanding/grinding is trapped before it can spread throughout the shop.

### 555309 Shopsmith Strip Sander

**\$289.49**

Includes three Platens, Instruction Manual and three Belts (80-grit Garnet, 150-grit Aluminum Oxide and 220-grit Aluminum Oxide)



**Power Coupler required for use with Shopsmith MARK V or Power Station**

See Page - 26

## Specifications

Belt Size ..... 1/2" x 42" – **or** – 1" x 42"  
 Platens..... 1/2" & 1" Flat – **Plus** – Radius Curved  
 Work Table Size ..... 11" x 11"  
 (5 1/2" of Table in front of Platen)

Table Tilt..... "0" to 45° forward (only)  
 Throat Depth ..... 6" behind Platen  
 Maximum Stock Thickness  
 External Sanding..... 4"  
 Internal Sanding (piercing cuts)..... 3 1/4"

Speed ..... (recommended) 700 to 2,050 rpm  
 Dimensions..... 17"L x 11"W x 15"D  
 Weight ..... 15 lbs.

## High-quality Strip Sander Belts for a variety of sanding, grinding or sharpening jobs

We offer a full range of premium Belts in your choice of 1/2" or 1" widths. The selection includes grits from 50-grit (coarse) through 600-grit (super-fine). Aluminum Oxide (A/O) Belts are great for general purpose sanding and grinding, while our 600-grit Silicon Carbide (S/C) Belts are recommended primarily for sharpening.



**All belts are offered in packs of five**

### 1" Aluminum Oxide Belts (A/O)

<b>555341</b>	60-Grit	<b>\$15.11</b>
<b>555342</b>	80-Grit	<b>\$15.11</b>
<b>555338</b>	100-Grit	<b>\$15.11</b>
<b>555343</b>	150-Grit	<b>\$15.11</b>
<b>555344</b>	220-Grit	<b>\$15.11</b>
<b>555345</b>	320-Grit	<b>\$15.11</b>
<b>555346</b>	400-Grit	<b>\$15.11</b>

### 1" Silicon Carbide Belt

<b>555347</b>	600-Grit	<b>\$20.78</b>
---------------	----------	----------------

### 1/2" Garnet Belts

<b>555333</b>	80-Grit	<b>\$11.54</b>
<b>555334</b>	100-Grit	<b>\$11.54</b>
<b>555335</b>	150-Grit	<b>\$11.54</b>
<b>555336</b>	220-Grit	<b>\$11.54</b>

### Special Assorted Belt Kits

<b>942251</b>	1" Assorted Kit (A/O) <small>(1 each) 60, 80, 150, 220 &amp; 320</small>	<b>\$15.11</b>
<b>942249</b>	1/2" Assorted Kit (Garnet) <small>(1 each) 80, 100, 150, &amp; (2) 220</small>	<b>\$11.54</b>
<b>521897</b>	1" Superfine Kit (A/O) <small>(1 each) 150, 220, 320, 400 &amp; 600</small>	<b>\$15.11</b>

## Shopsmith Utility Light illuminates your view of Strip Sanding operations



This utility light brightens your work area. Its flexible gooseneck allows easy adjustment to put light right where you need it. Includes one bracket, two self tapping screws, drill bit and instructions.

Buy extra support brackets so you can move your light from machine to machine, or better yet, save when you order the Three Utility Light Set for all your Special Purpose Tools.

<b>555503</b>	Utility Light	<b>\$59.08</b>
---------------	---------------	----------------

<b>555557</b>	Three Utility Light Set	<b>\$155.34</b>
		<b>YOU SAVE \$21.90</b>

<b>555520</b>	Extra Support Bracket	<b>\$4.55</b>
---------------	-----------------------	---------------



*I've enjoyed my MARK V for several years and have accumulated nearly all of the Special Purpose Tools. It's great because I'm cramped into a small garage, yet still enjoy the compact flexibility of the MARK V like I had a large basement.*

*~Dave Limber, Virginia Beach, VA*

## 2X Shade-Mount Magnifier reduces eye strain



Get a close-up view of small projects or tolerance-critical processes with the 2X Power Magnifier. It attaches to the shade of any of Shopsmith's Utility Lights. It's perfect for zooming in to get a super-clear view of miniatures and similar small projects – or any tolerance-critical operations.

The 2" deep by 4" wide premium-quality, high clarity glass lens provides a larger field of view.

<b>522200</b>	Shade-Mounted Magnifier	<b>\$25.93</b>
---------------	-------------------------	----------------

## Abrasive Cleaning Stick makes your sandpaper last four times longer!

Just hold this special stick against moving belts, discs or drums and watch as they're cleaned to near-new condition.

It's 1 1/2" x 1 1/2" x 8" long – a real money-saver!



<b>753523</b>	Abrasive Cleaning Stick	<b>\$10.99</b>
---------------	-------------------------	----------------

## Chisel Sharpening Attachment makes your Shopsmith Strip Sander a sharpening whiz!



Add this easy-to-use Attachment to your Shopsmith Strip Sander and you'll be putting super-keen, razor-sharp edges on all your Bench and lathe chisels before you know it!

Just replace your Strip Sander's Table with this Attachment, switch to the special angles Sharpening Platen and you'll be ready to start sharpening in less than two minutes.

Drop the butt end of your Chisel's handle into the Holder, adjust for length and desired angle, tighten and start sharpening. It's that easy!

Includes Attachment, Platen, Upper Drum Guard and Superfine Assorted Belt Kit (521897).

<b>555812</b>	Strip Sander Chisel Sharpening Attachment	<b>\$104.58</b>
---------------	---	-----------------

## Protect your Strip Sander with this custom fitted Cover



This rugged, cotton/polyester cover is custom-sewn to the shape of your Shopsmith Strip Sander. The special urethane coating repels moisture while a unique perforation process allows any moisture that might get in from below to escape, preventing rust and corrosion.

<b>516260</b>	Strip Sander Cover	<b>\$23.57</b>
---------------	--------------------	----------------

# Shopsmith's 12" Planers – MARK V Mount or "Pro" Model Delivering the precise stock thickness you need – EVERY TIME!



Depending on the types of projects you build, the Thickness Planer could easily be one of the most important additions to your home shop.

## Why do you need a Thickness Planer?

The first and foremost reason is to ensure the consistency of the thickness of the stock you're using. Few problems are more frustrating than to start assembling your cut-to-size project components, only to discover that they're not fitting together properly due to inconsistencies in thickness. Assuming that all lumber (even from the same stock) is planed down to a consistent thickness, has been the downfall of many a project.

The second reason is to save money by planing your own lumber to the thickness you want. When you need thinned stock for smaller gift projects, for example, these savings can be significant. If you can find 1/4", 3/8" or 1/2" thinned stock locally, you'll pay dearly for it. But, armed with a Shopsmith Bandsaw [See Pg. 8](#) and one of our Planers, you can *resaw* two or three thinner boards out of a thicker one (up to 6' wide), then plane them down to the exact thickness you need ... at a big savings!

## Choose MARK V Mount or "Pro" Stand-Mount

Every Shopsmith Special Purpose Tool offers the option of mounting and powering it with your Shopsmith MARK V – or on a motorized Stand. In the case of the Planer, our stand-mount version is called the "Pro Planer."

**A third option for Planer buyers ...** The Shopsmith Thickness Planer and Scroll Saw are the only two of our Shopsmith Special Purpose Tools that offer you a choice of three powering options:



- 1. If you're confident that you'll be using your Planer often ...** the *Pro Planer* is probably your best choice. At 64 lbs., MARK V Mount Planers can be a bit heavy for some older or physically disadvantaged woodworkers with a frequent need. They'll appreciate having the *Pro Planer* mounted on its own Stand, ready to go to work.
- 2. If you're only going to use your Planer occasionally – or have a limited budget ...** the MARK V Mount Unit is probably best for you.
- 3. If you're not certain but think** you may eventually want a Stand-Mount Model ... Shopsmith lets you start with a budget-priced MARK V Mount Model now, and add the convenience of a Power Stand later, if you like.

See Page 26 for Power Stand information

## Loaded With Work-Saving, Results-Enhancing Benefits and Accessories

As with all Shopsmith Special Purpose Tools, your Thickness Planer offers great features to help you make everything you make – better.

### Large, 12" x 4" capacity handles big lumber

Generous capacities let you turn even heavy, rough-sawn timbers into smooth, finished stock up to 12" wide.

### Plenty of *muscle* to tackle your toughest jobs

While the MARK V Mount Model will deliver up to 1 1/8 hp at infinitely variable Cutterhead speeds of 3,000 to 4,100 rpms ... the *Pro Planer* comes with its own Operating Stand and 1 3/4 hp Motor that gives you a constant, 5,750 rpm Cutterhead speed.



### Separate Feed Motor won't rob power from Cutterhead

Both Shopsmith Planer Models offer a separate Feed Motor that's completely independent of the Cutterhead Motor. As a result, you'll achieve better, more consistent Planer performance since each of the two motors is dedicated entirely to its own function.



### Variable-Rate Feed Control ensures super-smooth, mirror-finish cuts

Although the feed rate ranges vary slightly between the two Models, both Planers allow you to slow-down or speed-up the feed rates to produce as smooth a surface as you'd like – at the simple twist of the Feed Rate Dial.



### 28" long Table provides unrivaled workpiece support

The Shopsmith Planer has one of the longest Tables of any 12" Planer on the market today. Its rigid, durable construction eliminates leveling problems and ensures the proper infeed and

outfeed support to produce a consistent depth-of-cut on every board.

### High-Grip Feed Rollers help prevent slippage

The serrated steel Infeed Roller grabs every board (even heavy, 4" timbers) with a secure, non-slip grip – then pushes it through the Cutterhead at a constant feed rate. The long-lasting, hard rubber Outfeed Roller then grasps the stock as it exits the Cutterhead, pulling it through at that same rate.

**505990 Shopsmith 12" MARK V Mount Planer \$1,395.20**

*Includes Instruction Manual.*

*Requires Power Coupler for use with MARK V* [See Pg. 26](#)

**555082 Shopsmith 12" Pro Planer \$1,774.84**

*Includes steel Power Stand with 1 3/4 hp Motor and Instruction Manual*

*The Shopsmith Thickness Planer is a Special Truck Shipment item and requires an additional \$25 shipping fee.*

# Choose the Shopsmith Planer model that best meets your needs

Specifications	MARK V Mounted	Pro Planer
Maximum width-of-cut	12"	12"
Maximum depth-of-cut	3/32"	1/8"
Maximum stock thickness	4"	4"
Minimum stock thickness	3/32"	3/32"
Cutterhead speed	Variable: 3,000 – 4,100 rpm	Fixed: 5,750 rpm
Cutterhead diameter	3"	3"
power	1 1/8	1 3/4
Feed motor horsepower	1/2	1/2
Feed rate (feet/minute)	5 – 12	7 – 20
Electrical requirements	110V, 15 amps	110V, 15 amps
Minimum cuts-per-inch	62	72
Maximum cuts-per-inch	205	205
Table size	12 1/2" x 28"	12 1/2" x 28"
Weight	64 pounds	151 pounds



### Planer Dust Chute helps you collect flying chips and sawdust at their source

Attaches to Shopsmith Planers (either model). A real *must* for those who like to keep a neat and tidy shop. Includes 2 1/2" Elbow.

**300001 Planer Dust Chute \$37.37**



### Hearing Protector blocks out the harmful, high-pitched whine of machines

Lightweight, comfortable Protector filters out the *whine* of Table Saws, Planers, Jointers, Routers and other high-speed tools. Features self-adjusting Headband and soft, comfortable pads.

**720709 Hearing Protectors \$20.78**



### Having a spare set of Planer Knives could keep you working in the event of a nick or other Knife problem

High-quality, hardened M-2 steel cutting edge is laminated to a low carbon steel backup. This provides a keen-edge-holding ability and strength, without being brittle. Set of three.

**505982 Replacement Planer Knives \$109.99**

### Planer Knife-Setting Gauge (not shown)

In the event you've lost yours.

**513414 Planer Knife-Setting Gauge \$5.82**



### Planer-Jointer Knife Sharpener

Keep your Planer and Jointer Knives sharp & performing at their best. See Page - 18



## Planer Upgrades



### Planer Pulley Retro-Kit helps older stand-mounted Shopsmith Planers produce smoother cuts

*For stand-mounted Shopsmith Planers with two equal-sized pulleys*

Increases Cutterhead speed from 3,450 rpms to 5,750 rpms ... and cuts-per-inch by two-thirds ... from 86 CPI to 143 CPI (at 10-feet-per-minute feed rate) for super-smooth surfaces.

Includes (2) steel (not aluminum) Pulleys, Belt and unbreakable ABS plastic Pulley Guard, plus all mounting hardware.

**555114 Planer Pulley Retro-Kit \$34.43**



### Knurled Infeed Roller stops slipping on older model Shopsmith Planers

*For stand-mounted Shopsmith Planers with serial numbers below 20,000*

**555115 Knurled Infeed Roller \$52.25**



### Planer Dust Chute Retro Attachment

*For use with all 300001 Planer Dust Chutes manufactured before 6/1/92*

**555643 Planer Dust Chute Retro Attachment \$28.46**



### Custom-fitted Dust Cover protects your Planer from dust and moisture

Rugged, cotton-polyester cover is custom-sewn to the shape of your Shopsmith Planer (both models), features a special urethane coating that repels moisture while allowing the Cover to *breathe*.

**515305 Thickness Planer Cover \$23.57**

# The Shopsmith DC3300 Dust Collector – Helps you enjoy a virtually dust-free workshop environment



**When it comes to sucking-up sawdust and wood chips, Dust Collectors reign supreme over shop vacuums!**

## Loaded With Hard-Working Features

As with all Shopsmith Special Purpose Tools, your DC3300 Dust Collector offers a number of great benefits and accessories.

### Powerful 1/2 hp Motor

Sealed, fan-cooled motor develops up to 3/4 hp – more than enough to provide simultaneous dust-collection for multiple machines with up to 98% efficiency.

### Exceptional Hook-Up Versatility

With three Inlet Ports, your DC3300 can serve up to three machines at once. Or, replace the 3-way-Inlet with our optional 4" Inlet Assembly and connect it to a permanent, hard-piped system to serve the whole shop.

### Large, 4-Vane, Low-Noise Fan

You get maximum airflow with minimum noise. What more could you ask?

### Huge 30-Gallon Waste Capacity

Heavy-duty, 30-gallon, see-through Dust Bags attach and remove with a quick-release-style Retaining Strap.

### Oversize Wheels & Casters

Move your DC3300 around the shop with practically zero effort!

### Generous 12-Foot Power Cord

No need to look for an extension!

### Compact Size Saves Shop Real Estate

Requires only 21" x 26" of floor space – just 48" high (with standard Filter Hood).

### 15 Standard Accessories

The only full-featured Dust Collector that comes with all these Standard Accessories:

- TWO 2 1/2" x 8" Hoses
- TWO Inlet Plug assemblies w/Caps
- Wide, Floor Pickup attachment
- Clamp-On Utility Pickup
- Elbow Brush attachment
- SIX Disposable Dust Bags
- TWO 20" x 2 1/2" Wands

**See Pg. 24 for NEW Wireless On/Off Switch**



Shopsmith's DC3300 Dust Collector was engineered specifically as a compact, efficient way to suck the wood dust and shavings out of your running Shopsmith machines ... **before** they mess up your shop, equipment, clothes and home.

Then, when you've finished working, you can turn it into an air-cleaning *whiz* by simply disconnecting the hoses, opening all three of its inlets and turning it on. The DC3300 will remove any lingering airborne particles (as small as 7 microns – only 1 micron with optional 42" Hood) from a 12' x 12' shop in about 10 minutes – while you're straightening-up.

### Shop Vacuum vs. Dust Collector

Heavy-duty shop vacuums are great for sweeping floors, sucking-up water and all those other *general* clean-up jobs around the house and garage. But they can't hold a candle to a dedicated Dust Collector when it comes to capturing large volumes of shavings and superfine dust from woodworking machinery. **NO CONTEST!**

Most shop vacuums are wet/dry units. They need a lot of *static pressure* to suck up nuts, bolts, water and other heavy stuff. Dust Collectors, on the other hand, could care less about heavy stuff. Their job is to snatch 90+% of the dust and debris from your machinery ... **before** it ever has a chance to get loose and become a problem.

To do that job, you need CFM (cubic-feet-per-minute) ... **not static pressure** ... and that's exactly what Dust Collectors deliver – in HUGE quantities. In fact, three times – or more CFM – than a conventional shop vacuum.

**330002 Shopsmith DC3300 Dust Collector \$549.99**

*Includes Instruction Manual plus 15 Standard Accessories listed above.*

*The Shopsmith DC3300 Dust Collector is a Special Truck Shipment item and requires an additional \$25 shipping fee.*

## Optional Filter Hoods let you choose your level of Dust Collection Efficiency – Where The Cake Always Comes First!



The Filter Hood of a Dust Collector cleans the air that's returned to the environment once the dust is removed. As it does this, a "cake" of dust forms on the inside of the Hood. The thicker the cake, the smaller the dust particles it will hold captive inside.

Our larger 24" and 42" Hoods offer nearly **four times** the surface area of our original equipment Hood, helping them maintain optimum airflow, even though particle size is reducing. Made of a special polyester felt, they're fully washable, though it's seldom necessary.

Surface Sq. In.	Smallest Microns Captured
A. = 679	7
B. = 1357	5
C. = 2375	1

A. 514808	Original Equipment, 12" Hood	<b>\$35.20</b>
B. 300008	24" Filter Hood	<b>\$35.77</b>
C. 555942	42" Filter Hood	<b>\$78.93</b>

### Specifications

Motor.....8 amp, 1/2-hp, capacitor-start, industrial-duty	Bag Capacity.....30 Gallons	Power Cord.....12-foot
Airflow.....330 CFM	Dimensions.....21" w x 26" d x 48" h	Weight.....64 lbs. (approximately)

# Shopsmith Dust Collection System Accessories

**NEW**

## Wireless On/Off Switch

*Easy, affordable Wireless On/Off Switch lets you turn your Shopsmith Dust Collector On or off from anywhere in the room – at the push of a button!*



Just plug the Receiver into any outlet and plug your DC3300 into the Receiver outlet. You're now ready to turn your collector on or off from anywhere in the shop (within 100-feet) at the push of a button. *That's it!* No wiring. No permits required.

Rated at 120VAC/8A with a standard 3-prong plug and slave outlet. Compact pocket Transmitter runs on single 12V, type 23A alkaline battery (included). At this price, if you have a dust collector, this is a **must-have!**

**556021** Wireless On/Off Switch **\$29.76**

## Additional DC3300 Hoses, Fittings, Bags & Accessories

**Hook-up more machines or extend your reach with additional hoses**



8" x 2 1/2" diameter vacuum hose. Male/Male.

**300004** 8" x 2 1/2" DC3300 Hose **\$25.61**

### Replacement Dust Bags

Six heavy-duty, 30-gallon, see-through bags (see DC3300 Hose photo above).

**300006** DC3300 Dust Bags (6) **\$12.87**



### Special Reducer for 1 1/4" diameter Hoses

Use smaller diameter hoses for tools with 1 1/4" hookups. Large end is female, small end is male.

**300007** 2 1/2" to 1 1/4" Reducer **\$4.61**

### 2 1/2" Elbow reduces strain on Hoses



Use on machines with side-mounted hookups to relieve hose strain.

**514521** 2 1/2" Elbow **\$7.39**



### Couple hoses together for extra length

Use only with 2 1/2" diameter hoses. Female/Female.

**515430** 2 1/2" Hose Connector **\$6.26**



### 2 1/4" Inlet Plug with Cap

Improves air flow when fewer than three hoses are used on the DC3300.

**514929** 2 1/4" Inlet Plug with Cap **\$4.69**

### Hose Valves turn hoses on and off, at the machine or at the DC3300



Hose Valves open or close airflow to any accessory to improve performance and eliminate hose changes. Easy-Pull slider mechanism. Attaches to the DC3300 or any Shopsmith accessory.

**555468** Dust Collector Hose Valve **\$18.56**



### A. Utility Vacuum Extension collects dust and shavings as you work

Features a 2 1/2" opening for connection to the DC3300. Special Support Brackets attach directly to machines to accept a strong, flexible, vinyl-covered gooseneck that rotates a full 360° for unlimited positioning.

**Includes:** Extension Assembly, small Floor Pickup, Support Bracket; hardware, drill bit, plus instructions for installation. Order extra Brackets for each machine.

**555582** Utility Vacuum Extension **\$52.95**

**555520** Extra Support Bracket **\$4.55**

### B. Easy hook-ups for all your power tools

Attach these Ferrules to a 2 1/2" hose to make all your power tools and fixtures dust-collection capable!

**710130** Flange Ferrule (1) **\$8.61**

**710135** Flange Ferrule (4) **\$22.98**

### C. Elbow Dusting Brush

Used to "sweep" shelves, walls, and tools. Standard with DC3300 Dust Collector. Fits on hoses with a 2 1/2" opening.

**514828** Elbow Dusting Brush **\$17.45**

### Foot Switch provides quick, hands-free activation of your DC3300 Dust Collector



Perfect for use with our DC3300 Dust Collector, depress once to turn on – again to turn off. Becomes your "third hand" when working with large stock.

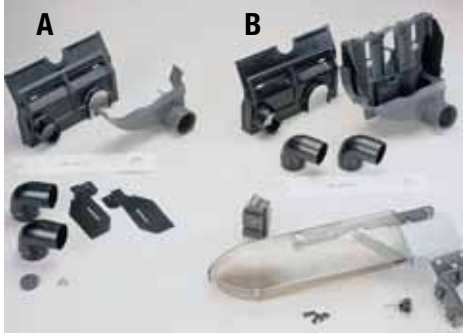
13 AMPS – 12-foot Cord, no Safety Guard.

**711124** Unguarded ON-OFF Switch **\$38.63**


## Dust Collection Upgrades

Bring your earlier model Shopsmith equipment up to the latest in dust collection efficiency with these special upgrades


Two upgrades bring added dust collection efficiency and safety to your Model 500 MARK V



**A. Model 500 Lower Saw Guard Upgrade**  
For Model 500 MARK V's, serial numbers below 222396

**555294** Model 500 Lower Saw Guard Upgrade **\$45.90**  
 See Page 6 for more information

**B. See-Through MARK V Saw Guard System**  
For Model 500 MARK V's with aluminum Upper and Lower Saw Guards

**555875** Model 500 Clear Guard System **\$184.36**  
 See Page 6 for more information

**Planer Retro-Fit Attachment improves Dust Chute efficiency of early model Shopsmith Planers**



For use with early model Shopsmith Planer Dust Chutes (300001) manufactured prior to 6/1/92

**555643** Planer Dust Chute Retro Attachment **\$28.46**  


**Bandsaw Dust Chute collects loads of fine dust, right at the source**



For earlier model Shopsmith Bandsaws without a Dust Chute

**300000** Retro-Fit Bandsaw Dust Chute Attachment **\$18.29**  
See Page 11 for more information

**Jointer Dust Chute Retro-Fit Kit minimizes workshop mess**



For Shopsmith Jointers with serial numbers prior to 70,000

**555077** Jointer Dust Chute Retro-Fit Kit **\$34.22**  
 See Page 18 for more information

**DC3300 Handle Retro-Fit Kit**



For Dust Collectors made prior to May 2000

This inexpensive, simple-to-install Kit lets you attach an additional Handle to the top of the 3-Way Inlet on your DC3300 for convenience when moving it around the shop. Includes the handle, two screws and a template for marking pilot hole positions. You'll need a center punch, a 5/32" drill bit and a Phillips screwdriver to do the job. Takes about 5 minutes.

**521769** DC3300 Handle Retro-Fit Kit **\$15.87**  


**Belt Sander Retro-Fit Kit doubles size of dust collection Chute**



For Shopsmith Belt Sanders made before 8/87

**300002** Belt Sander Retro-Fit Kit **\$20.77**  
 See Page 16 for more information

**Planer Dust Chute catches debris at the source**



Hook-up your Shopsmith Planer to a DC3300 Dust Collector or other shop vacuum for dust-free operation. Includes 2 1/2" elbow.

**300001** Planer Dust Chute **\$37.37**

**Model 500 Disc Sander Dust Chute tames one of messiest operations**



Attaches to earlier Model 500 MARK V's to help you gain control over one of woodworking's messiest operations, Disc Sanding.

Standard with all Model 505, 510 and 520/Pro Fence System MARK V's and all Table System Retro-Fit Kits. Requires current, standard steel Sanding Disc (555143) for operation.

See Page 38

**555167** Model 500 Disc Sander Dust Chute **\$55.95**

**Extension Wand**

Wands can be used with utility nozzle or brush attachment for floor, machine, shelf and bench clean-up. 20" long, two standard with DC3300 Dust Collector.

**514825** Extension Wand **\$10.96**

**14" Utility Nozzle**

Combined with two 20" extension wands (514825), makes floor pickup quick, complete and easy without back bending effort. Nozzle standard with DC3300 Dust Collector.

**514826** 14" Utility Nozzle **\$12.06**

**Practically nothing escapes this Super-efficient Drum Sander/ Shaper Vacuum Attachment**



Attaches to the bottom of the Shopsmith Shaper/Drum Sander Table Insert (for ALL MARK V models) with

two bolts. Concentrates vacuum power right at the source.

**555168** Drum Sander Vacuum Attachment **\$12.53**

# Only Shopsmith's versatile Special Purpose Tools give you three innovative mounting and powering options

## 1. MARK V Mount



If your space and/or budget are limited and you own a Shopsmith MARK V ... this may be your best option.

Each of our six Special Purpose Tools were designed specifically to be supported and powered by your Shopsmith MARK V - with absolutely **ZERO** performance compromises.

Just switch them, one for the other, as needed. Dial-in the correct speed for each operation and go to work. Each Tool works flawlessly with your MARK V as its support system and power supply ... because that's what it was designed to do.

Then, when you're finished with them, store them conveniently and compactly out of the way on the Shopsmith Storage Station or on the shop-built Special Purpose Tool Storage Rack that's included in our plans for Shopsmith's *Complete Home Workshop Storage and Organizing System*.

See Page 27 for Storage System & Plans



### The Shopsmith Power Coupler

#### Making the connection between your Special Purpose Tools and your MARK V

The Shopsmith Power Coupler is made of a virtually unbreakable plastic compound. Each end mates with splined metal Hubs that attach to your MARK V and Special Purpose Tool. The Coupler Kit is standard equipment with all MARK V's manufactured after April, 1985.

**555124** Power Coupler Kit **\$31.99**  
Coupler, two metal Hubs and setscrews

**503574** Power Coupler **\$21.49**  
Coupler only without metal Hubs

## 2. Individual Stand-Mount



If you have the space ... and prefer that frequently-used Tools be *ready-to-go* ... this is a great choice for you.

Specially configured Power Stands – with appropriate Motor and multi-speed (except Jointer and Planer) belt-and-pulley drive systems are available for each Tool.



### Shopsmith Power Stands give you *ready-to-go* working convenience Includes:

- Sturdy, heavy-gauge steel Stand.
- Heavy-duty,

1/2-hp Motor w/ Cord (1 1/2-hp for Planer).

- Switch with removable safety Key.
- Cast aluminum Mounting Base 505655 (not required for Planer)
- Appropriate Tool and Motor Pulleys
- V-Belt
- Protective Belt Guard.

**555059** Bandsaw Power Stand **\$336.29**

Delivers 770 & 1,150 rpms

**555058** Belt Sander Power Stand **\$336.29**

Delivers 1,150 & 1,725 rpms

**555056** Jointer Power Stand **\$336.29**

Delivers 3,900 rpms

**555805** Strip Sander Power Stand **\$336.29**

Delivers 985, 1,480 and 1,975 rpms

**555369** Scroll Saw Power Stand **\$336.29**

Delivers 190, 265, 300, 395, 475, 675, 700 & 990 strokes-per-minute

**505977** Planer Power Stand **\$382.60**

1 1/2 hp - Delivers 5,750 rpms

*The Planer Power Stand is a Special Truck Shipment item and requires an additional \$15 shipping fee (Planer only)*

## 3. Power Station Mount



If you want the ability to select different *ready-to-go* Tools based on your projects this choice lets you ...

1. Switch between Tools in a flash.
  2. Dial-in the speed you need for each Tool.
  3. Power multiple Tools and save space, too.
- The perfect choice for those who depend on the space-saving convenience of their MARK V's, yet also want to bring a selected *ready-to-go* tools into play, based on project needs.

### The Shopsmith Power Station®

A full horsepower of variable-speed Special Purpose Tool *muscle* – PLUS – quick Tool changes, too



It's like having a "mini MARK V," standing by to support and power your Shopsmith Special Purpose Tools when you need an extra hand.

**Twin-Tube Mounting Base** lets you switch from Tool-to-Tool in seconds.

**Dial-In Variable Speed Control** lets you select the correct speed (850 to 3,850 rpm) with a quick twist then go to work. No belts or pulleys.

**Rugged, High-Torque Motor** develops up to a full horsepower to give you more than enough power for your toughest jobs.

**555422** Shopsmith Power Station **\$599.99**  
(includes Power Coupler)

**516261** Power Station Cover **\$23.57**

*The Power Station is a Special Truck Shipment item and requires an additional \$20 shipping fee*



## Here's a great home for your resting Special Purpose Tools



Store up to three of your Shopsmith Special Purpose Tools in an upright position to protect your tool investment. Each Tool quickly slips into and out of the holes in the aluminum Mounting Bases, just as they do in your MARK V's Headrest. The complete Kit includes the Stand, three aluminum Mounting Bases and a set of Retractable Casters for mobility.

**555761** Storage Station **\$298.39**

*The Shopsmith Storage Station is a Special Truck Shipment item and requires an additional \$10 shipping fee*



## Improved MARK V Accessory Shelf holds frequently used MARK V attachments

**Cannot be used with MARK V Cabinets**

This sturdy 1" thick wooden Shelf holds Saw Guards, Rip Fences, Miter Gauges, Lathe Tailstocks, Blades, Lathe Tool Rests and other accessories for **ALL** MARK V Models. May also be mounted to workbench, wall or cabinet.

**555953** MARK V Accessory Shelf **\$78.92**

## Wall-mounted Storage System holds the Tables, Tubes and Legs for your Model 505, 510 or 520 MARK V



Engineered for strength and convenience, the rugged extruded aluminum Brackets will store your Work Table, two Floating Extension Tables, four Connector Tubes and two Telescoping Legs out of your way when not in use.

Just mount the two Brackets to a piece of scrap stock (not included) and attach the assembled System to the wall. You're done. Kit includes two Brackets, one 45" Mounting Tube, screws and Instructions.

**555941** MARK V Table Storage System **\$40.79**

*(Also great for storing your Support Table)*

## Aluminum Mounting Bases are the perfect way to store your Special Purpose Tools



Just attach these aluminum Bases to a cabinet-top or shelf for easy slip-on/slip-off storage of any Shopsmith Special Purpose Tool when not in use.

**505655** Aluminum Mounting Base **\$44.99**



**Shopsmith Gift Cards make a great gift!**

**Order online 24 hours a Day**

[www.shopsmith.com/ownersite/giftcard/index.htm](http://www.shopsmith.com/ownersite/giftcard/index.htm)

## Choose from a full complement of over 300 MARK V Accessories They'll help you tackle practically any operation with ease

No other Woodworking System can match the variety of versatile, work-saving accessories offered by the Shopsmith MARK V System. NONE!  
So, when you're ready to move ahead to more complex projects, your Shopsmith MARK V is ready to move ahead with you.  
It's the most expandable, Complete Home Shop System in the World.

### Work smarter – Grow faster

Successful woodworking depends on learning new skills and sometimes, specialized tools will help you learn those skills faster. Here's an example.

To make some attractive, tongue-and-groove wainscoting for the walls of your dining room, you could cut the mating joints with multiple passes of a saw blade or dado set. Tedious, but it can be done.

Or, you could save a lot of work by using a tongue-and-groove knife set with a Molder or Shaper set-up. Timeless accessories from Shopsmith.

With very few exceptions, the Accessories we develop for today's Model 510 and 520 MARK V's will work with the Model 500 MARK V your father or grandfather bought in 1953. So, remember ... when you're ready to build your skills into new territory, we're ready to help you do just that.

### Quick Reference Accessory Index

Biscuit Joining .....	44	Routing .....	44-48
Chisel Mortising .....	43	Sanding .....	71-73
Drilling .....	74-76	Sawing .....	37
Dust Collection .....	23-25	Saw Blades .....	34
Incra® Products .....	31, 41-42, 85	Sharpening .....	38-40
Lathe Turning .....	77-81	Shop Accessories .....	28, 84-88
Miter Pro™ .....	36	Speed Inserter .....	32
Molding & Shaping .....	67-70	Speed Reducer .....	33
Project Plans .....	89		

## The Shopsmith MARK V Lift-Assist

Reduce the amount of effort required to raise your MARK V from Table Saw to Drill Press mode  
by **60%, 65%, 76% – DOWN TO ZERO!** ... with the **Shopsmith MARK V Lift-Assist**



### Pounds of lift effort required with & without Shopsmith Lift-Assist

Headstock distance from left side of MARK V	Pounds of effort required <b>WITHOUT Lift-Assist</b>	Pounds of effort required <b>WITH Lift-Assist</b>
0	65 lbs.	25 lbs.
8"	57 lbs.	20 lbs.
12"	50 lbs.	12 lbs.
20"	35 lbs.	SELF-LIFT

Model MARK V. Destined to become the favorite accessory of many MARK V Owners.

**555975** Shopsmith Lift-Assist **\$189.99**

**555998** Shopsmith Lift-Assist **\$189.99**

For MARK V'S manufactured BEFORE 1972



This is the accessory many MARK V owners have been wanting for some time. As we get older, we're not as strong as we used to be ... and those things that were once easy for us are now a bit more difficult. It's all a part of life.

Lifting the MARK V from horizontal to vertical position is one of those procedures that can get a bit tougher with age. The taller you are, of course, the higher you'll want your Drill Press Table once it's raised ... and the more difficult it gets to make *the move*.

But now there's a great little helper available to take the majority of this effort out of the equation entirely. No matter what your reason for needing a little **Assist-ance** ... in about half an hour to an hour's time, your new Shopsmith **Lift-Assist** will be doing that lifting work for you.

Again, we're not talking about just a fraction of that effort ... but 60%, 65%, 76% up to ...

**EVERY LAST DROP OF EFFORT ...** you would normally exert to raise the MARK V.

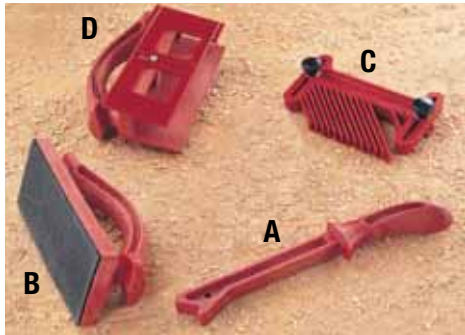
The complete Kit includes the **Lift-Assist** Arm, gas-charged Cylinder, hardware and simple, step-by-step instructions for adding it to any

### Using Shopsmith's Lift-Assist with our Steel Storage Cabinets

When using the **Lift-Assist**, all three Cabinets will **not** fit between the MARK V's legs. If your Cabinets are on casters, only one Cabinet will fit. Without casters, two cabinets will fit.

# Make Workshop Safety Your Number One Priority

## Award-winning Shopsmith Safety Kit keeps hands out of harm's way



Complete kit includes Push Stick, 2 rubber-soled Push Blocks, adjustable Rip Fence Straddler and Featherboard

**505973 5-Piece Safety Kit (Model 500, 505 & 510) \$70.31**

**521675 5-Piece Safety Kit (Model 520) \$70.31**

YOU SAVE \$8.57

### Also available individually:

- A. 518221 Push Stick \$5.95**
- B. 518220 Push Block \$19.53**
- C. 518215 Featherboard \$15.23**
- D. 518218 Fence Straddler \$17.89**  
(Models 505 / 510 only)
- 521107 Fence Straddler \$17.89**  
(Model 520)



### Vertical-mount Featherboard provides reliable safety hold-down for Rip Fence-guided operations

**Rigid steel angle bracket** lets you attach this Featherboard anywhere along the length of the T-slot channel in the top of your Model 505, 510 or 520/Pro Fence Rip Fence. Just position it where you want and tighten the two Knobs. Holds workpieces as thick as your Rip Fence is high. (Models 505, 510 and 520 only.)

**555783 Rip Fence-Mount Featherboard \$22.55**



### Pair of Router Table Featherboards enhance the precision and safety of your Router Table Kit

Just attach them to the threaded inserts in the surface of your Shopsmith (555658) Router Table with the four Knobs and Washers (included). Use them to hold your workpieces firmly against the Fence during operations while keeping your hands out of harm's way.

**555878 Router Table Featherboards \$26.06**



### Adjustable see-through Lathe Shield protects you from flying chips and debris

Just mount this 12<sup>5/8</sup>" x 11", impact-resistant see-through Shield to the back of your MARK V's Headstock using our special Mounting Support Bracket and go to work. 24" Gooseneck Arm slips on and off the Mounting Bracket without tools. Order extra Brackets for use with other machines. Both items include all mounting hardware and instructions.

**522198 See-through Lathe Shield \$54.27**

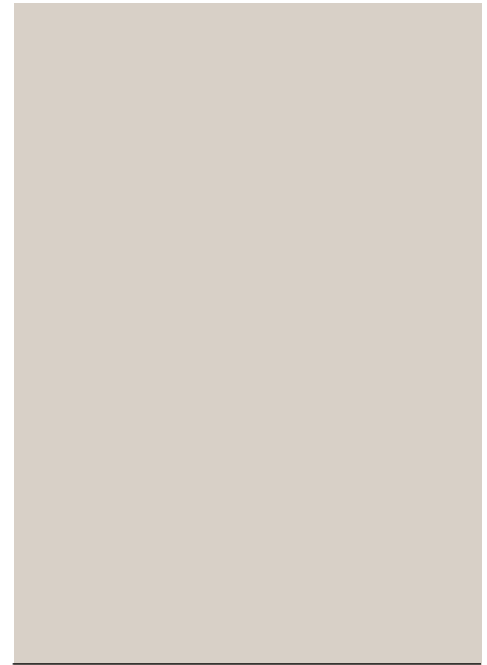
**555520 Extra Support Bracket \$4.55**

### Safety Grip stops workpiece creep



Attaches to Shopsmith Miter Gauge. Provides **five times** your grip in hold-down pressure.

**505625 Miter Gauge Safety Grip \$46.29**



**Flip-up Shield keeps flying debris out of your eyes and face**

**517071 Ratchet Face Shield \$19.87**

**521273 Replacement Shield \$4.91**



**Hearing Protectors block out harmful machine noises**

The high-pitched *whine* of Table Saws,

Jointers, Planers and Routers can be very damaging to the ears. These Protectors block out these noises while still allowing you to hear shop conversations.

**720709 Hearing Protectors \$20.78**



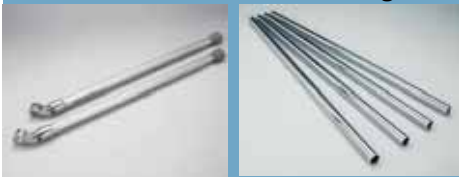
**Scratch-resistant Safety Goggles**

Ventilated to prevent fogging. Will fit over glasses.

**513456 Safety Goggles \$5.51**

# Enjoy added workpiece support, operating convenience and mobility with these great MARK V Accessories

## Double-up your outboard workpiece support with this Extension Table Package for MARK V's with the Model 505 or 510 Table Package



Imagine having the same kind of extended workpiece support on **both** sides of your MARK V at the same time. This package gives you exactly that ... and, at a \$50+ savings, too!

Includes (2) Floating Extension Tables, (2) Telescoping Legs, (2) T-Joint Fittings and (4) Connector Tubes.

**555137** Extension Table Pkg. **\$289.14**  
For MARK V's with Model 505 or 510 Table Pkg.  
**YOU SAVE \$50.03**

### Individual components available

<b>514446</b> Floating Extension Table (1)	<b>\$124.01</b>
<b>514439</b> 2" Connector Tube (1)	<b>\$11.45</b>
<b>514529</b> Telescoping Leg (1)	<b>\$27.78</b>
<b>514520</b> T-Joint Fitting (1)	<b>\$21.41</b>

## Telescoping Leg provides added table rigidity when Hollow Chisel Mortising or performing other heavy workpiece operations



Ideal for eliminating Work Table deflection when machining heavy stock or during certain Drill Press operations such as Hollow Chisel Mortising ... where you may be exerting more downward pressure than normal and need the extra Table support.

Extends to 42 1/2" and works like your Telescoping Extension Table Legs. Just slip the notch in the top of the Leg under the front Table "lip" and tighten the Knob to clamp it into position.

**555627** Table Support Leg **\$35.27**

## 7 1/2" wide Extension Table gives your Pre-1990 MARK V a full 50" of ripping capacity

Supports long boards when sawing, sanding or boring. It provides an additional 7 1/2" wide table surface for outboard support – plus – allows an additional 4 3/4" of ripping capacity. Table and fence bar are fully adjustable for precise alignment with saw table. Offset mounting offers a full 50" ripping capacity when used with a rip fence on the left side of MARK V's made before 1990.



**555084** Extension Table **\$142.88**  
With mounting bracket & tubes

**555085** Extension Table **\$79.56**  
Top only

## Add 7" of table depth to your Pre-1990 MARK V for crosscutting wide boards

Attaches to the front of a MARK V Model 500 table with a single-twist knob, providing an extra-long slot for the miter gauge and added workpiece support, too. Brings increased accuracy to wide crosscuts. Not for MARK V Models 505, 510 and 520 Table Systems.



**505626** Front Table Extension **\$71.39**

## HTC Roller Stand provides the perfect companion when working with long or wide workpieces

Made of sturdy, 1" square steel tubing with a 14" wide roller and a wide, stable stance. Adjusts from 28 1/2" to 44" high. Front feet are 16" apart and the back foot sits 13" back to form an equilateral triangle for greater stability. Folds for easy storage.

*The Shopsmith Support Table is now a Roller Stand, too! Conversion Kit available for older Support Tables.*



**740900** Roller Stand **\$52.17**

See Page 37

## Retractable Casters bring extra convenience and mobility to all your Shopsmith Tools

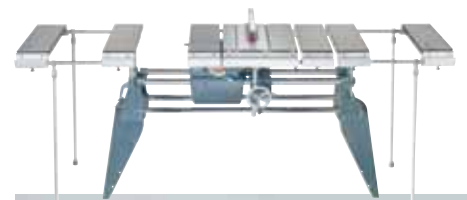


A single step on the Pedal raises the Tool 1/4" off the ground for easy mobility. A double step raises it 1/2" and a third settles it back onto the ground. Many customers have even added these Casters to their work benches and other shop cabinets.

**555354** MARK V Casters

**555353** Planer/Power Station/Power Stand Casters  
*(For all Shopsmith Special Purpose Tool Stands, except Scroll Saw)*

**555457** Stand-Mounted Scroll Saw Casters **\$96.43 Each**



## 5-Foot Connector Tubes provide additional support when working with long boards and large panels

These extra-long, 5-foot Connector Tubes slip easily into the main Work Table or Extension Table Rails of your MARK V with a Model 505, 510 or 520 Table System.

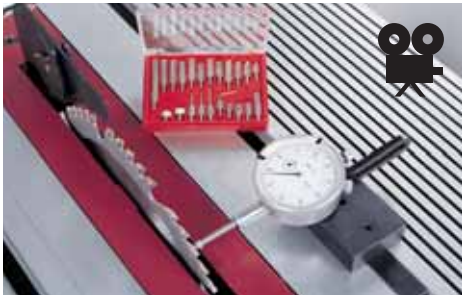
Add a couple of extra Floating Extension Tables (514446) and Telescoping Legs (514529) – shown at left – and you'll be able to easily handle the largest panels or the longest boards for crosscutting (2 tubes).

**521942** 5-Foot Connector Tubes **\$48.54**

## Tool Set-Up & Alignment Aids

The quality of your results cannot exceed the accuracy of your set-ups

Practically nothing will affect the eventual quality of your woodworking projects more than the accuracy of your measurements and set-ups. If you fail to "measure twice/cut once," all bets are off ... and if the tools you're using to make your cuts are out of whack, your results will probably be likewise. The devices presented on this page will help you achieve the quality results you want.



### Set-up or tune-up your tools and operations with precision, using this Dial Gauge

This Gauge will help you align your MARK V's Work Table, Rip Fence or Miter Gauge pre-sets for precise cuts, time-after-time.

Align your Miter Gauge to an exact 45° or 90° setting. Achieve the smoothest edges and surfaces by match-setting your Jointer Knives. Micro-adjust the offset of Shaper and Router Table Fences. Set the depth-of-cut for saw blades, dado blades, router bits and more with amazing accuracy. Measure the depths of holes or dados ... the list goes on.

You get a large 2 1/4" diameter Dial Indicator, graduated in 1/1000 (.001") with a full 1" range; a set of 22 interchangeable Indicator Points for tackling the toughest measuring jobs; a special Mounting Block with adjustable Bracket; a 5" long Miter Bar and easy-to-follow illustrated instructions for use.

**555884 Dial Set-Up Gauge \$69.99**



### Set your Saw's depth-of-cut in an instant with this Gauge

Just set the Gauge on your work table, move your blade into position with a tooth touching the appropriate step on the Gauge ... and lock the blade into position.

Gauge provides 16 steps from 1/8" to 2" in 1/8" increments. Also works for setting Router Bit depths and rip cut widths on Table Saws and Bandsaws.

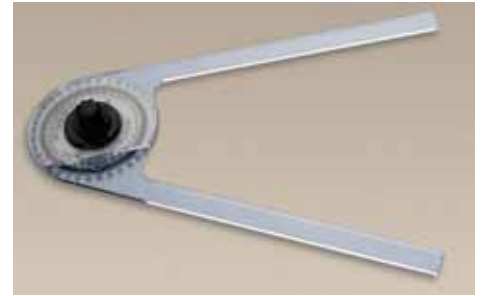
**739990 Aluminum Step Gauge \$8.39**



### Get the right speed setting for every operation with this handy Speed Chart

Matches rpm's with MARK V Speed Dial settings and provides ideal speed for dozens of operations.

**791500 MARK V Speed Chart \$4.55**



### Measuring or transfer odd angles with the Mite-R-Gauge Protractor/Bevel

The measuring and setting of precise angles is extremely important in woodworking. Triangles are ideal for most applications, but they will not do for many "odd" angles.

The Mite-R-Gauge Protractor/Bevel features long legs with direct-reading protractor scales that make easy work of this otherwise difficult job and allows you to measure and read the angle in a single step ... within 1/2 degree.

Once the angle is set, a quick twist of the knob locks the gauge in position for transferring to your table saw or other machine.

**730342 Mite-R-Gauge Protractor/Bevel \$21.99**

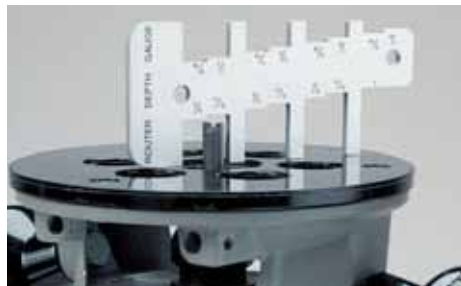


### Set Miter Gauge Angles with 1/2° accuracy using this Precision Protractor

This 21st century Marking Protractor has micro-fine guide holes at every 45°, 30°, 22.5°, 5°, 1° and 0.5° interval to plot any angle with ease and absolute accuracy. A metal T-Bar and see-through crosshairs provide exact alignment against the edge of your workpiece. Remove the T-Bar to work on flat surfaces. Contains four angle scales: 0° left to 180° right, 180° left to 0° right, 0° top to 90° left and right, and 90° top to 0° left and right suits every need. It's easy on the eyes, incredibly accurate, and just plain fun to use!

**522172 6" Inkra Precision Marking Protractor \$31.39**  
(Calibrated to 1/2° & 1/32")

### Special Gauge helps you verify accurate router bit depths

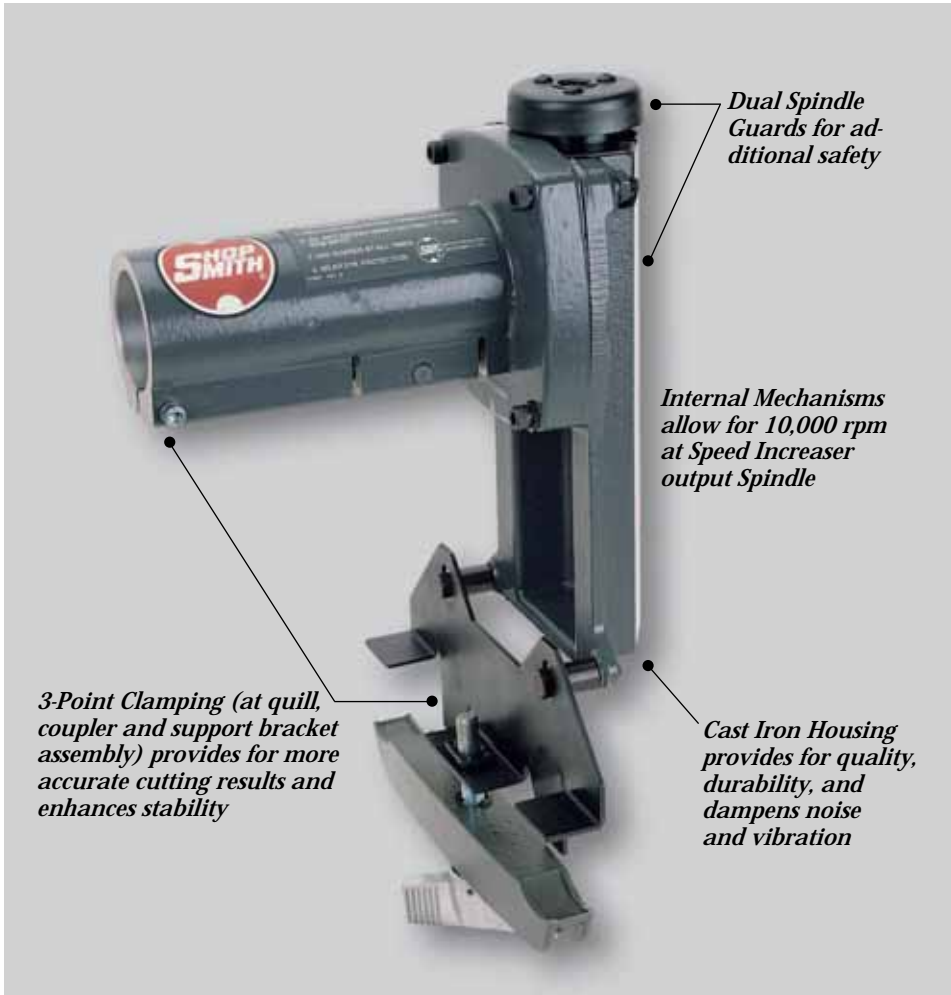


A dado or groove that's too deep can jeopardize the strength and ruin the appearance of a joint. This handy gauge eliminates these problems by providing accurate settings in an instant.

Just rest the gauge's feet on your router's base or your router table insert and move the appropriate notch over the tip of your bit to make your setting. Graduated in 1/16" increments from 1/8" to 1". Can also be used to set saw blade depths up to 1".

**521939 Router Bit Depth Gauge \$8.39**

# Increase your MARK V's speed to 10,000 rpms for Routing and Shaping – with the Shopsmith Speed Inceaser



Dual Spindle Guards for additional safety

Internal Mechanisms allow for 10,000 rpm at Speed Inceaser output Spindle

3-Point Clamping (at quill, coupler and support bracket assembly) provides for more accurate cutting results and enhances stability

Cast Iron Housing provides for quality, durability, and dampens noise and vibration

All of your Routing and Shaping operations will be more efficient than ever with the Shopsmith Speed Inceaser on your team.

Designed for use with all MARK V Models, the Speed Inceaser will deliver a full 10,000 rpms at your MARK V's "V" Speed Dial Setting. As a result, you'll have to make fewer passes with your stock (especially when cutting full profiles) plus ... spend a lot less time sanding.

The Inceaser's under-table design also provides another advantage by allowing you to perform table Routing and Shaping operations in a more conventional fashion ... with the bit cutting from **under** the workpiece.

The special see-through Speed Inceaser Shield (included) hooks up to your Shopsmith DC3300 Dust Collector (See Page 23) or a shop vacuum and does an amazing job of capturing flying dust and debris.

Includes Speed Inceaser; Shield; 1/2" Shaper Spindle with four sizes of (non-bearing) Shaper Rub Collars (555463); and all mounting hardware for Inceaser and Shield.

**555462** Speed Inceaser **\$280.88**  
\*Not for use at Speed settings other than "V"



*The Shopsmith Speed Inceaser boosts your MARK V's maximum rpm to 10,000 for super-smooth, super-fast Routing and Shaping.*



*The see-through Shield protects your eyes from flying chips and helps you collect the dust before it becomes a problem.*

## Speed Inceaser Fence supports your stock before and after the cut



Features Independently adjustable infeed and outfeed faces, rear Fence Guard, Shaper/Drum Sander Table Insert and two Starter Pins.

**555474** Model 500 Inceaser Fence **\$112.37**

**555475** Models 505, 510 & 520 Inceaser Fence **\$112.37**

**IMPORTANT NOTE**

The Shopsmith Shaper/Drum Sander Fence (555144, 555113) [See Page 69](#) can be used with the Speed Inceaser. However, **you must** use The Speed Inceaser Shield (included with Inceaser) for optimum safety and dust collection efficiency. **ALWAYS** use the Speed Inceaser Shield when performing under-table Routing or Shaping operations.

## Mount your Shaper Cutters to their own Spindles for quick changes when using the Speed Inceaser



Required for using Shopsmith's 1/2" Shaper Cutters with the Shopsmith Speed Inceaser.

Includes four different diameter Rub Collars for performing profile shaping operations.

**555463** 1/2" Speed Inceaser Shaper Spindle **\$25.18**

## Speed Inceaser Spindle with friction-free ball bearing Rub Collars ends workpiece burning



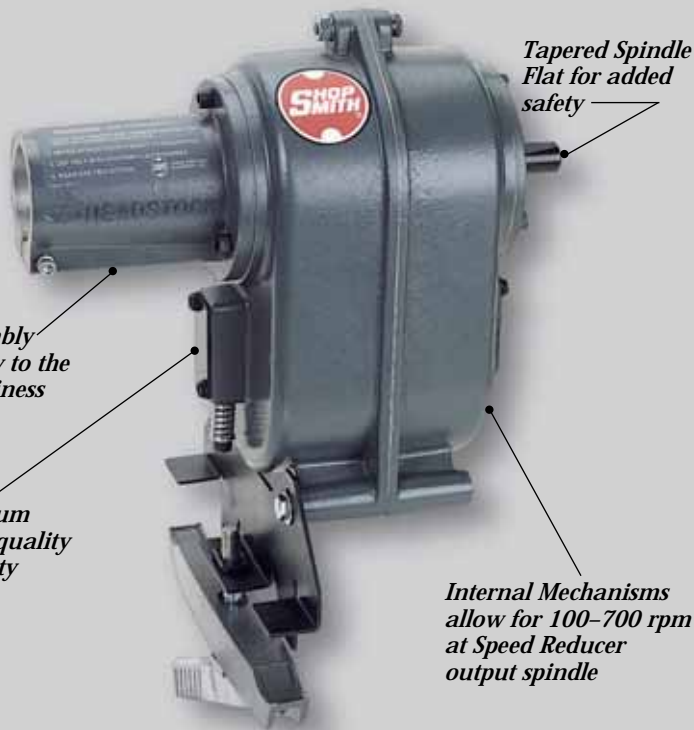
Identical to 555463 above, except with Ball Bearing Collars.

**555472** 1/2" Speed Inceaser Shaper Spindle w/Ball Bearing Rub Collars **\$35.94**

## Shank Adapter lets you use 1/4" Router Bits with Speed Inceaser (not shown)

**555464** 1/4" Speed Inceaser Router Bit Adapter **\$11.51**

# Reduce your MARK V's speed to 100 rpms for Turning, Drilling, Sanding and more - with the Shopsmith Speed Reducer



*Adapter Assembly attaches firmly to the quill for sturdiness*

*Cast Aluminum Housing for quality and durability*

*Tapered Spindle Flat for added safety*

*Internal Mechanisms allow for 100-700 rpm at Speed Reducer output spindle*



The Shopsmith Speed Reducer provides your MARK V with a 7:1 ratio of speed reduction (see Table below). So, instead of your standard 700 to 5,200 rpms, you'll be operating at 100 to 743 rpms.

This will allow you to perform an even wider variety of operations while increasing your ability to achieve the kinds of results you want.

For example, with your MARK V set on "SLOW" (700 rpms), the Output Spindle of your Speed Reducer will actually be turning at just 100 rpms.

Then, as you turn up your MARK V's Speed Dial, your low-end speeds increase accordingly ...

all the way up to a maximum speed of 743 rpms when you reach the "FAST" setting.

### A few tasks that will be made easier for you with the Shopsmith Speed Reducer:

- Cut, drill, sand or grind metals and plastics with the MARK V or Special Purpose Tools.
- Bore large diameter holes in hard woods without burning your bits.
- Create heavy and/or oversized Faceplate turnings on the Lathe.
- Eliminate burn marks when sanding with the Disc or Drum Sander.

### KEY FEATURES

- 3-point clamping (at Quill and around Way Tubes) provides stability.
- Double Poly-V Belt Drive system is *positive* in its action and designed to last.
- Reverse tapered Spindle flat helps keep tool from slipping off if loose.
- Rugged, cast aluminum Housing delivers rugged durability.

**555428 Shopsmith Speed Reducer \$297.85**

### THE NEED FOR (the correct) SPEED

Achieving professional-looking results often depends on having the right tools for a particular job. And, operating those tools at the optimal speed is as important as having them.

Your MARK V gives you a wide range of speeds to handle most jobs at the twist of a Dial. However, occasionally, you need a speed that's either faster or slower than your MARK V can deliver without a little help.

That's where the Shopsmith Speed Increaser and Reducer will step in to deliver speeds that are either slow enough for oversized turnings and drill bits ... or fast enough for certain Routing or Shaping operations. (See Table)

\* The Speed Increaser is designed to deliver 10,000 rpms with the MARK V Speed Dial set at "V," and is not intended for use at other Speed Dial settings.

### Table of MARK V Speeds using Increaser and Reducer

Speed Dial Setting	Mark V Speed	With Increaser	With Reducer	Speed Dial Setting	Mark V Speed	With Increaser	With Reducer
SLOW	700	—	100	M	2,400	—	343
A	750	—	107	N	2,600	—	371
B	850	—	121	O	2,800	—	400
C	950	—	136	P	3,000	—	429
D	1,050	—	150	Q	3,250	—	464
E	1,150	—	164	R	3,500	—	500
F	1,300	—	186	S	3,800	—	543
G	1,450	—	207	T	4,100	—	586
H	1,600	—	229	U	4,400	—	629
I	1,750	—	250	V	4,700	10,000 *	671
J	1,900	—	271	W	5,100	—	729
K	2,050	—	293	FAST	5,200	—	743
L	2,200	—	314				

## Saw Blade Basics

Since most jobs begin with cutting your stock to size, having the right blade is important.

Blade buyers should consider ... **1.** Cut quality **2.** Cutting efficiency **3.** Blade durability.

**Cut Quality** – Although *Combination* blades deliver excellent cuts in most situations, there are compromises. The best cuts are produced by job-specific blades. If you're doing a lot of continuous ripping, use a *Rip* blade. If you're frequently switching between ripping and crosscutting, a slight trade-off in cut quality will buy you back a lot in blade-changing time.

With carbide-tipped blades, cut quality is also determined by tooth grind. Here, an *alternate top bevel* grind severs the fibers cleanly like a knife without tearing.

When ripping, a *flat top* ground tooth will chisel the wood away very efficiently and cleanly as it moves quickly through the wood.

*Hollow-Ground* blades produce some of the smoothest cuts. They're thinner near their centers and have teeth with no set. So, even though this allows them to make a very clean cut, they shouldn't be used for general sizing, as saw kerfs are more likely to close when using them, pinching the Blade.

**Cutting Efficiency** – The configuration of teeth versus gullets and the thickness of the blade help determine how efficiently it cuts.

Ripping's large chip size requires deep gullets that remove lots of waste, quickly. So, most of the space is consumed by gullets, leaving less space available for teeth.

Smooth crosscuts make fine dust, so more teeth and shallower gullets produce the best results.

And, since thicker blades consume more horsepower during the cutting process than thinner blades, it stands to reason that Thin Kerf Blades will pass through the stock with less effort while making the cut.

**Blade Durability** – With periodic cleaning and proper care, carbide-toothed blades will remain sharper (for considerably longer) than their steel-toothed counterparts.

This is particularly true if you cut a lot of extremely hard domestic or exotic woods ... or composite materials like MDF, particleboard, hardboard or laminates. Steel toothed blades just *won't cut it* (for long) with these materials!

On the whole, carbide-toothed blades are the best all-around blade value ... delivering the optimal combination of performance and durability.

## Good results begin with a good

### Shopsmith's 10" Steel and Carbide-Tipped Saw Blades

Shopsmith offers both steel and Carbide-Tipped Saw Blades to suit a variety of applications. Each Blade has been manufactured to the highest standards to ensure the best performance.

**NOTE:** All 10" Shopsmith Saw Blades require a 1 1/4" Shopsmith Saw Blade Arbor. All Carbide-Tipped Shopsmith Blades are thin kerf (3/32" blades).



Carbide / Steel	Purpose	Photo Letter	Teeth/ Blade	Tooth Grind	Part Number	Price
Carbide	Combo	A	50	AB/FT *	555958	\$60.47
Carbide	Rip	B	24	FT	555959	\$55.11
Carbide	Crosscut	C	60	AB	555960	\$71.70

\* 40 Alternate Bevel Grind and 10 Flat Top Grind

† 5/8" Saw Blade Arbors have short shafts that will not accommodate Dado Blades

### Shopsmith Saw Arbors



Having all of your Blades mounted on Arbors and ready to go to work saves time and effort when making Blade changes.

#### Model 500 Arbors

**505511** 1 1/4" Blade Arbor **\$31.99**

**555321** 5/8" Blade Arbor † **\$31.99**

#### Models 505, 510, 520 Arbors

**555130** 1 1/4" Blade Arbor **\$31.99**

**555608** 5/8" Blade Arbor † **\$31.99**

### Long handled Arbor Wrench keeps hands away from sharp Blade teeth during changes



Includes wrenches for 1 1/4", 5/8" and 1/2" Shopsmith Arbors.

**515979** 13" Arbor Wrench **\$16.69**

## Specialty Sawing Package provide versatility at a nice savings



### Carbide-Tip Specialty Package

Includes our Carbide-Tipped Combination Blade (555958), Carbide Rip Blade (555959), Carbide Crosscut Blade (555960) and three 1 1/4" Saw Blade Arbors.

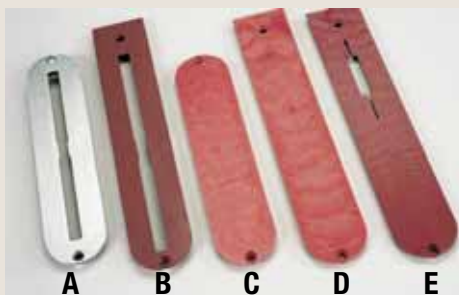
**556036** Carbide-Tip Specialty Pkg. **\$245.95** For Model 500

**556037** Carbide-Tip Specialty Pkg. **\$245.95** For Models 505, 510 & 520

**YOU SAVE \$37.30**



## Saw Blade



### MARK V Sawing Table Inserts

Pre-Cut or Blank Inserts for all MARK V's.

#### Pre-Cut Inserts (Aluminum alloy)

**A. For Model 500** – 5/8" wide slot

**5013799** Pre-Cut Saw Insert **\$27.80**

**B. For 505, 510, 520/Pro Fence**

**51410004** Pre-Cut Saw Insert **\$27.80**

#### Blank Inserts (Polymer)

Used to make your own zero-clearance Inserts for more workpiece support, less bottom-side splintering, and **NO** dangerous scrap fall-through.

**C. For Model 500** – Blank insert

**555500** Blank Saw Insert **\$19.52**

**D. For Models 505, 510, 520/Pro Fence**

For use during **non** through-cutting operations such as dadoing, molding, etc. where Upper Saw Guard will **not** be used.

**555501** Blank Saw Insert **\$19.52**

**E. For Models 505, 510, 520/Pro Fence**

Includes pre-formed cut-out for Upper Saw Guard. For use during through-cutting (sawing) operations where the Upper Saw Guard **will** be used.

**555518** Blank Saw Insert **\$19.52**

### Spray-on Cleaner removes pitch and gum, restores Blade cutting efficiency

Pitch and gum build-up will affect Blade cutting efficiency. Just spray this remover on your Blades, allow to sit briefly, brush off lightly with a small scrubbing brush, rinse and dry.



**943487** Saw Blade Cleaner

**\$8.02**

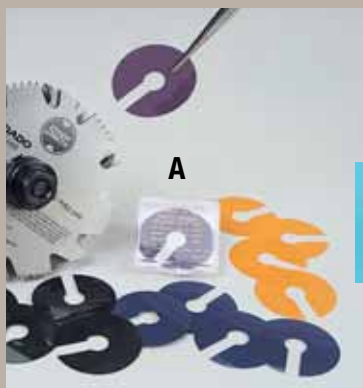
## Dado Basics

### Premium quality Stacked Dado Set cuts precise dados or grooves in particleboard, MDF, laminates and other tough materials

Although Shopsmith's standard 6" steel Dado Blade Set is a great choice for cutting hard or soft woods, when you need dados or grooves in any of today's tough composite materials, nothing beats the durability of carbide...and this set.

**556222** CMT 6" Carbide-Tipped Stack Dado Set

**\$168.93**



#### A. Polymer Shim Set won't swell, wrinkle or buckle

Includes a total of 14 shims in .002" (orange), .005" (purple), .010" (navy) and .020" (black) thicknesses. Allows you to add up to .138" to the width of your Stack Dado cuts. Oil and grease resistant in a clear plastic box.

**521934** Polymer Dado Shim Set **\$14.50**



#### B. Dado Table Insert

Made of pressure cast aluminum alloy with 1 1/8" wide slot. (510/520 Insert shown).

**505621** Model 500 Dado Insert **\$27.71**

**555120** 505/510/520 Dado Insert **\$27.71**

#### C. 5/8" Dado/Molder Arbor

Long, threaded shaft accommodates Stack Dado Set (A). Fits all MARK V Models.

**505506** 5/8" Dado / Molder Arbor **\$27.87**

## Shopsmith Gift Cards make the perfect gift for your favorite woodworker!



Here's the ideal solution for those last-minute gift-giving occasions, or those times when you just can't decide what item(s) to get for your favorite woodworker. Why not send a Shopsmith Gift Card and let them choose the gift they actually WANT?

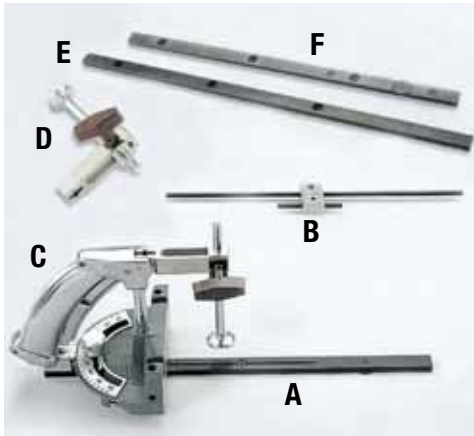
### Nothing could be easier!

Just call **1-800-543-7586 TOLL-FREE** or visit **www.shopsmith.com/ownersite/giftcard/** to order a Shopsmith Gift Card.

- Specify any dollar amount (\$10 min.), even include a personal message to your recipient.

- Give us your recipient's email address. We'll send an interim Electronic Gift Card with a PIN number that may then be used until the actual plastic Gift Card arrives in the mail.
- Plastic Cards will be shipped to your recipient free-of-charge, along with a copy of our current Woodworking Products Catalog.
- Gift Cards may be used like a debit card and redeemed by recipients online, over the TOLL-FREE phone (1-800-543-7586), by mail or online at **www.shopsmith.com**.

## Work Safer and improve the accuracy of your results with these Table Sawing Accessories



### Complete Miter Gauge Package

Includes Miter Gauge (A) with removable T-Slot Washer and Safety Grip (B). For all MARK V models.

**555101** Complete Miter Gauge Package **\$104.15**  
**YOU SAVE \$8.17**

**A. Shopsmith Miter Gauge** – Knurled knob for changing angles. Features removable T-slot washer, easy-to-read angle scale and micro-adjustable auto stops at common angles (Safety Grip **NOT** included).

**505700** Miter Gauge **\$66.03**

**B. Miter Gauge Stop Rod** – For making duplicate length crosscuts and for certain sanding and drilling operations.

**505629** Stop Rod **\$22.87**

**C. Miter Gauge Safety Grip** – Returns 5 pounds of down pressure for every 1 pound of squeeze pressure to prevent workpiece *creep*. Near instant stock thickness adjustments.

**505625** Safety Grip **\$46.29**

**D. Model 500 MARK V Quick-Clamp Miter Gauge Retro-Fit Kit** – Replaces the thumb-screw adjustment mechanisms on older Shopsmith Miter Gauges. A real time-saver!

**555125** Quick-Clamp Retro-Fit Kit **\$26.11**

**E. Crosscut Sliding Table Miter Bar** – For use on MARK V and Bandsaw Work Tables.

**516525** Model 500 Sliding Table Miter Bar **\$24.89**  
*(no T-slot washer)*

**516619** 505, 510, 520 Sliding Table Miter Bar **\$24.89**  
*(with T-slot washer)*

**F. MARK V Miter Bar** – for Models 505, 510, 520. Includes T-slot washer.

**518104** MARK V Miter Bar **\$31.72**

**G. Sliding T-Nuts simplify the job of attaching jigs and fixtures to Work Tables and Rip Fences** – Made to slip into Table and Fence T-Slots and provide two 1/4"-20 threaded holes and one 3/8"-16 hole for bolts or knobs with threaded studs.



**514491** Sliding T-Nut (ea.) **\$5.99**

## Tired of near-perfect miters? The Shopsmith Miter-Pro™ will put an end to that problem



miters every time! Cut half of your mitered corner with one of your adjoining workpieces against one face ... then cut your second piece against the other.

No more trial cut after trial cut, fiddling around with a simple task that this amazing tool makes possible in a matter of seconds. The *Miter-Pro's* non-skid abrasive faces hold the stock firmly in place without moving while you make your cuts, and the infinitely adjustable Stop Block lets you cut duplicate length pieces (up to 24" long) time-after-time without continual measuring.

Order an additional 24" Aluminum Miter Gauge Extension (555429 at left) and you can have two 24" working faces with adjustable stops for even more convenience.

**555404** Shopsmith Miter-Pro™ **\$111.08**  
*(Includes 10" and 24" long surfaces)*

The *Miter-Pro* features precision-machined working surfaces (10" and 24" long) that join together at an **exact 90° angle** for dead-on 45°

## Miter Gauge Extensions

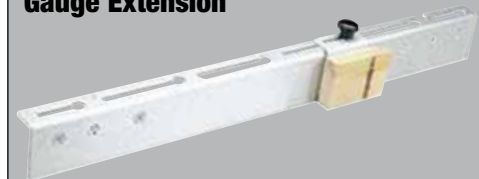
### Hardwood Miter Gauge Extension



Gain better workpiece control with this extra long Miter Gauge face. With bolts and Knobs.

**505630** Hardwood Extension **\$18.62**

### 24" Aluminum Miter Gauge Extension



Wood Stop Block can be adjusted to make duplicate cross-cuts (up to 24"). Includes two knurled Knobs and mounting bolts.

**555429** 24" Aluminum Extension **\$47.40**

### 20" Aluminum Miter Gauge Extension



2 7/8" tall Extension attaches to Gauge face via rear T-Slot with Bolts and Knobs. Adjustable Flip Stop slides to left or right in top-mounted T-Slot. Extension (with Stop) slides left or right on Gauge face for setting cutoffs up to 20". Includes (1) Flip Stop and Mounting Hardware.

**556005** 20" Aluminum Extension **\$62.95**



**For additional Flip-Stops ...**  
See Page 76

## Accessories for handling long or wide boards more safely

### Shopsmith's Support Table helps you handle long or wide boards alone – even serves *double duty* as a Roller Stand!



Perfect for ripping long boards or large panels, drilling, shaping, disc sanding or performing almost any operation on difficult-to-handle stock. Can also be used with Model 505, 510 and 520 Floating Extension Tables. Includes Roller Top, hardware and instructions.

**555306 Support Table** **\$199.21**  
(Model 500)

**555307 Support Table** **\$199.21**  
(Models 505 & 510)

**555784 Support Table** **\$199.21**  
(Model 520/Pro Fence)

**521651 Support Table Conversion Kit** **\$42.08**  
(Required if Support Table was purchased prior to Model 520 upgrade)

Attaches to the infeed or outfeed end of any model MARK V worktable in seconds. The other end is supported by a leg that telescopes to match the worktable height, then locks at the twist of a knob. The table then tilts in unison with your MARK V's worktable. A 14" wide roller top (also included) converts the adjustable leg for use as a Roller Stand, if desired.

The generous 24" w x 32" d x 1" thick tabletop is covered with a low friction, easy-to-clean laminate. Two built-in relief slots in its surface allow your Miter Gauge Bar to pass the worktable's edge.



**Check It Out!**  
*The Shopsmith Support Table is now a Roller Stand, too!*

*Conversion Kit available for older support tables – the perfect companion when working with long or wide workpieces.*

**See Page 30 for more information**

### Extension Table Brackets let you use your MARK V's Floating Extension Tables as Infeed/Outfeed Tables



These Brackets let you use the Floating Extension Tables that came with your MARK V Model 510 or 520 as infeed/outfeed supports when working with long or wide stock.

The System works with one of your MARK V's 2" Connector Tubes plus a special 18" long Tube (with this kit) to create a 30" deep by up to 18" wide surface, supported on the opposite end by your Telescoping Legs.

Putting everything together takes less than 5 minutes and gives you all the workpiece support and convenience you could ask for. The Brackets will work either with a Model 510 or 520 MARK V\* and feature a unique raising and lowering system that lets you *micro-adjust* the heights of the Floating Extension Table(s) for safe, smooth operation using two Height Adjustment Setscrews.

The complete kit includes one 18" Connector Tube, two aluminum Bracket castings, and all necessary hardware for assembly and operation.



**555997 Extension Table Brackets** **\$73.49**

\* These Brackets will also work with Model 505 MARK V's, but require that you purchase Floating Extension Tables (514446) and Connector Tubes (514439) separately. **See Page 30**

## Enjoy the cutoff convenience an accuracy of a radial arm saw with Shopsmith's Cross-Cut Sliding Table System



This ingenious Sliding Table acts like a "sled" to support long or cumbersome workpieces and help you guide them safely and precisely through otherwise difficult crosscuts. Need to cut an inch or so off the end of an 8-foot 2" x 12". No problem.

Its durable, laminated surface is a full 15<sup>3/4</sup>" x 31<sup>3/4</sup>" for plenty of support. The Aluminum Fence adjusts quickly for 90°, 45°, 36°, 30° and 22<sup>1/2</sup>° angle cuts for making four, five, six or eight-sided projects. Order it with your choice of MARK V Miter Bar ... or with none, for mounting on competitive saws.

**555502 Cross-Cut Sliding Table** **\$107.30**  
(For Model 500 MARK V)

**555535 Cross-Cut Sliding Table** **\$107.30**  
(For Models 505, 510 & 520 MARK Vs)

**516524 Cross-Cut Sliding Table** **\$95.75**  
(No Miter Bar – Use with other brand saws)

### Auxiliary Table matches Cross-Cut Table height on opposite side of Blade



Features a Miter Bar on the bottom that locks into the Work Table slot on the opposite side of the Blade when the Cross-Cut Table is in use. Its purpose is to match the height and thickness of the Cross-Cut Table to keep scrap material from falling into the Blade and causing a dangerous kick-back. Works with all MARK V Models.

**555526 Auxiliary Cross-Cut Table** **\$47.21**

### Non-Slip Strip keeps your stock from moving as you use your Cross-Cut Table



1<sup>1/2</sup>" x 30" adhesive-backed Strip attaches to your Sliding Table's Fence to prevent workpiece *creeping*. Also works with your Miter Gauge or any Miter Gauge Extension Fence.

**516913 Non-Slip Strip** **\$6.46**

# The Shopsmith Sharpening Guide – and Planer/Jointer Knife Sharpener

## Two fail-safe ways to put a razor's edge on your Chisels, Machine Knives and Shaper Cutters



### Sharp Chisels work best – and this handy Guide takes the guesswork out of keeping them that way

This Guide gives you the easiest way ever to put a razor's edge on your Lathe Chisels, Bench Chisels and Shaper Cutters.

As you know, sharp tools can make a major difference in the quality of your projects. Now, Shopsmith has a solution for achieving those super-sharp edges quickly and easily ... even if you've never had good luck with sharpening.

Just mount the Guide to your MARK V's Work Table or Extension Table (instructions included), adjust for the proper pre-set edge angle and go to work. If you want a different angle, simply re-set it to the *personalized* bevel angle that meets your requirements.

The comprehensive Manual provides detailed mounting and sharpening instructions, so you just can't miss. Includes:

- Shopsmith Sharpening Guide
- 12" Steel Sanding Disc
- 12" Cloth-backed Sandpaper (3 pcs. 150-grit Aluminum Oxide)
- Step-by-step Instruction Manual

**555193 Sharpening Guide Pkg. \$104.66**  
**YOU SAVE \$21.97**

**555204 Sharpening Guide (only) \$52.77**

**555143 12" Steel Sanding Disc \$55.60**

### Replacement Sandpaper Discs for the Sharpening Guide:

**555205 100-Grit, Alum. Oxide (3) \$18.26**

**555206 150-Grit, Alum. Oxide (3) \$18.26**

*NOTE: Although the Sharpening Guide is specifically designed for use with Shopsmith Lathe Chisels, other brands or types of chisels may also be sharpened with it, as long as Lathe Chisel blades are at least 4" long and Bench Chisel blades 6".*



### Brass Bevel Gauge helps you achieve 11 precision angles when grinding or sharpening Chisels

This compact, 1 3/4" diameter Gauge includes the most common sharpening angle for Chisels, plus a 120° gauge for drill bit tips. Angles include 15°, 17.5°, 20°, 22.5°, 25°, 27.5°, 30°, 32.5°, 35°, 45° and 60°.

**521808 Bevel Sharpening Gauge \$8.81**

### Planer/Jointer Knife Sharpener will keep you in business in the event of a nick or dull Blades

Nicked Knives on your Planer or Jointer can spoil the appearance of your projects and cost you hours or days of delay as you sand out the blemishes they'll leave – or wait while you send your Blades out to the sharpening service.

But now, this easy-to-use Sharpener will save you the time that could be required to sand out the nicks ... or the expense you could face for sending your Blades out to be professionally sharpened.

Just clamp your Knives into the self-aligning Jig, grasp the two large Handles and use your Shopsmith Conical Sanding Disc to sharpen them to a keen edge.

Special nylon glides on the back and bottom edges ensure the Guide's smooth travel over your MARK V Tabletop and against your Rip Fence as it holds your Knives at the precise, correct angle while you sharpen them.

This is truly the simple, foolproof way for you to keep your Jointer and Planer operating at peak performance ... no matter what happens.

Includes complete step-by-step instructions for set-up and use.

**555471 Planer/Jointer Knife Sharpener \$74.83**



*Conical Sanding Disc*

See Page - 73



*The guys at work are sure tired of me talking about my Shopsmith. Thanks for my MARK V.*

*~ T. Wilson, Borger, TX*



## Keep all of your woodworking, garden and household cutting tools true and sharp with the Shopsmith Grinding Wheel Guard

You don't have to be an experienced woodworker to know that you need sharp tools to achieve the best results with the least effort. Lathe chisels, bench chisels and plane irons all have cutting edges that need to be sharpened periodically to work properly.

Shopsmith's Grinding Wheel Guard attaches to your MARK V allowing you to grind or hone all types of edged tools. You can also use it

to restore the performance of screwdrivers, punches, garden tools, mower blades and more – and perform a wide range of general, in-shop grinding jobs.

Its versatile tool rest can be adjusted and locked firmly into any angle up to 90° with a quick twist of the oversized wing nut. Use the rest in a vertical position with edges that surround the wheel when sharpening chisels and narrow edged tools – or in a horizontal position for supporting wide plane irons.

The clear, see-through shield and spark guard are both fully adjustable to provide maximum protection for every set-up.

It attaches quickly and easily to the quill of your Shopsmith MARK V. Use only with Shopsmith 5" Grinding Wheels (not included).

Includes: Grinding Wheel Guard, See-Through Shield with Spark Arrestor and 5/8" Grinding Wheel Arbor.

**A. 555470** Grinding Wheel Guard **\$69.39**

**B. 555302** 5/8" Grinding Wheel Arbor **\$26.66**

### Grinding Wheels

**C. 517475** Grinding Wheel Fine – 100-Grit **\$23.19**

**D. 517474** Grinding Wheel Coarse – 60-Grit **\$23.19**

**E. 517473** Grinding Wheel Very Coarse – 36-Grit **\$23.19**



## Sharpening Necessities

**F. Honing Oil** cleans and lubricates your Sharpening Stones – Floats off metal and abrasive particles that could clog the stone and impede its performance.

**517064** Honing Oil (4 oz.) **\$6.59**

**G. Versatile, all-purpose Bench Stone** – Two-sided India Benchstone offers medium and fine grit surfaces for all-around sharpening. 8" x 2" x 1".

**731040** Combination Stone **\$27.81**

**H. Hard Arkansas Slip Stone** – The top choice of the *old-timers* for final honing to a keen edge.

**516092** Hard Arkansas Slip **\$17.59**

**I. Tapered, Fine India Slip Stone** – The best choice for honing Gouges and other curved-edge Chisels.

**731029** Tapered India Slip **\$27.81**



## Control precise sharpening and honing angles with this English Honing Guide

The best of all the Honing Guides we've tried. Just clamp your Chisel or Plane Iron into the Guide to establish the correct angle, then roll it back-and-forth over your Sharpening Stone to hone any edged tool from 1/8" to 2 5/8" wide. Includes instructions for use and setting proper bevel angles.

**730440** English Honing Guide **\$11.99**



## Easy-to-use attachment turns your Shopsmith Strip Sander into a Chisel Sharpening “Wizard”

Some types of woodworking chisels, including many lathe chisels and carving chisels, require edge angles that can be difficult to sharpen. This inexpensive device solves that problem.

Just replace the Table on your Shopsmith Strip Sander with this Sharpening Attachment, switch to the angled Sharpening Platen, and you're ready to go, in less than two minutes!

Straight-edged chisels up to 1" wide and curved-edge chisels of virtually any width, bend or configuration can be sharpened in a flash. Accepts chisels from 3" long to 26" long and



tilts from 90° to 0° to tackle steep-angle lathe scraping tools or shallow angle carving sweeps. Simply drop the butt-end of your chisel's handle into the special cup-shaped holder. Adjust for the proper length, tilt the attachment to the desired angle (matching existing angles is a snap), tighten and sharpen.

Start by using a 150-grit belt to establish your angle then work your way all the way up to a 600-grit belt to achieve a super-sharp "honed" edge, all without ever having to change your set-up or sharpening angle.

Includes: Attachment, Platen, See-Thru Upper Drum Belt Guard and Assorted Belt Kit (one each 150, 220, 320, 400 and 600-grit Aluminum Oxide belts).

**Note:** Due to rotational direction, your Shopsmith Strip Sander must be mounted to the Quill End of your MARK V during operation.

*This Attachment cannot be used with a Strip Sander mounted on a Power Stand or Power Station.*

**555812** Shopsmith Strip Sander Chisel Sharpening Attachment  
Includes Assorted Belt Kit (521897) **\$104.58**

## The World's Most Versatile Shop Apron



This 100% fully washable cotton-canvas Shop Apron is the most versatile apron available today. Made in the USA, the cross shoulder support design has fully adjustable 1" wide nylon web shoulder straps, and an adjustable (to 52" waist) 1½" wide nylon web belt with a quick release buckle.

This unique apron has 20 variable-sized pockets from a pocket for your pencil to a huge 6¼" square, plus two rugged, 1½" wide nylon web tool loops.

**521802** World's Most Versatile Shop Apron **\$44.28**



*Lathe chisels are sharpened in a five step process, starting with the 150-grit belt and working up to the 600-grit belt.*

### Assorted Belt Kit



The Strip Sander Sharpening Attachment comes with the Aluminum Oxide Assorted Belt Kit.

**521897** Assorted Belt Kit **\$15.11**

**When you need unwavering accuracy and repeatability for making multiples, these Incra® Accessories will meet your exacting requirements**



**Get matchless versatility, ease of use and precision to .001" with Incra's TSIII Ultra Fence**

Thanks to a special arrangement with Taylor Design Group, Inc., manufacturer of the renowned Incra® brand of power tool fence systems and fixtures, Shopsmith now brings even more versatility, accuracy and repeatability to your MARK V than you ever dreamed possible!

The micro-adjustable TSIII Ultra Fence offers machine shop accuracy, guaranteed perfect repeatability, exceptional strength and quick, simple installation.

Install it on your MARK V in about 15 minutes, then remove or replace it in seconds. Use it for precision ripping, dadoing, grooving, rabbeting or molding operations. With the amazing TSIII Ultra Fence on your team, you'll build your projects faster and virtually eliminate measurement errors.

Just flip the Quick Action Positioning Clamp to slide the Fence Arm along its precision, sawtooth racks for instant positioning to within .002". Then, twist the Micro-Adjustment Knob to zero-in to within an incredible .001"! Change set-ups, then return to previous settings with ZERO repeatability errors and lightning speed!

- Quick, easy installation, silky-smooth operation and guaranteed perfect repeatability.
- Machine shop accuracy with instant adjustments to .002", plus micro-adjustments to .001".
- 36" long fence remains perfectly parallel with blade. It shifts off-center for additional infeed or outfeed support and includes T-Slots for attaching auxiliary shop-made faces, etc.
- 32" long stainless steel Scale provides direct reading accuracy in 1/32" increments.
- Accepts the optional Wonder Fence.

**See Below**

Each system comes complete with a comprehensive Owner's Manual with detailed set-up and operating instructions, a 40-minute VHS set-up and operation Video and two five-foot long MARK V Rail Connector Tubes.

**522143A TSIII Ultra Fence Table \$418.94**

*Not available for Model 500 See Pages 3-7 for Model 500 Upgrades*

*The TSIII Ultra Fence is a Special Truck Shipment item and requires an additional \$10 shipping fee.*

**522139 Pre-Drilled Floating Table \$107.40**

*(Fits Models 505 & 510 - Required for Standard Model MARK V)*

**522373 Pre-Drilled Floating Table \$173.50**

*(Fits Model 520)*



**The Shop Stop Repeat Positioner**

Use it with your TSIII Ultra Fence or the Wonder Fence for instant, repeatable accuracy without time-consuming set-ups. Reversible with an adjustable Stop Bar and micro-adjustable Stop Rod. Usable with zero-clearance wooden sub-fences.

**522145A Shop Stop Positioner \$36.32**



**Order The Ultimate Fence/Router System Package and Save \$38.64**

Includes the TSIII Ultra Fence System, Wonder Fence, a Shopsmith Router Table 555995- Pg. 46 the Shop Stop, the Right Angle Fixture, giant Reference Guide and Dovetailing Video.

**555935A Ultimate Fence/Router System Pkg. \$970.19**

*For MARK V Models 505 & 510*

**555934A Ultimate Fence/Router System Pkg. \$970.19**

*For MARK V Model 520*

*The Shopsmith Ultimate Fence/Router Package is a Special Truck Shipment item and requires an additional \$20 shipping fee.*

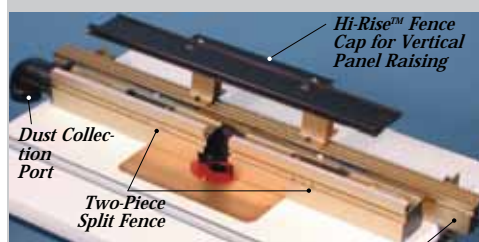


**The Right Angle Fixture**

Hooks over the top of your Wonder Fence to hold your stock perfectly square and provides rigid back-up support

during joint-making or similar operations. Glides smoothly and offers three T-Slots for the attachment of wooden faces to eliminate tear-out.

**522146A Right Angle Fixture \$38.52**



Dust Collection Port

Two-Piece Split Fence

Hi-Rise™ Fence Cap for Vertical Panel Raising

36" Base Fence (Included with TSIII Ultra Fence)

Use the Wonder Fence for all your routing and under-table shaping operations, including panel raising, decorative edging, specialized joinery cuts and lots more. Attach it to the TSIII Ultra Fence System to get all the precision you could want for producing perfect box joints, dovetails or similar joinery cuts in an infinite variety of styles and sizes.

**Improve the precision of all your routing and under-table shaping operations with The Wonder Fence from Incra®**

All critical Wonder Fence surfaces have been machined perfectly flat to ensure that both infeed and outfeed fences remain perfectly perpendicular and parallel at all offset and gap settings.

**Features**

- The Wonder Fence attaches to the Shopsmith TSIII Ultra Fence System when performing high-precision joinery or similar operations.
- Infeed and outfeed fences independently adjustable over a 1/8" offset range.
- Accommodates all router bits and shaper cutters, regardless of height.
- In-fence dust collection system attaches to industry standard hoses on the DC3300.
- Fence offset controllers are precision machined from solid blocks of aluminum. Each includes its own cursor and laser engraved scale marked off in .002" increments.
- Hi-Rise™ Fence Cap makes easy work of panel raising and working with tall or wide boards.
- Accepts Right Angle Fixture and Shop Stop for added precision during crosscutting and end grain operations, and ensured repeatability when routing or shaping multiples.

**522144A Wonder Fence Router/Shaper Attachment**

**\$220.49**

---

## Super-small to super-large – Incra's *MiterSled 5000* gives you optimal workpiece control



The *MiterSled 5000* combines incremental angle control features with a 3-panel laminated Sled and, a longer fence for the ultimate miter cutting workstation for your Shopsmith MARK V Models 505, 510 or 520/Pro Fence table saw. The Sled consists of three laminated MDF panels with two embedded aluminum T-tracks for securing an included workpiece hold-down clamp. A renewable right panel provides zero clearance tear-out control and cut-off support on **both** sides of the blade.

You get absolute rigid support for the 36" to 64" telescoping Incra LOCK Cut-off Fence. You can crosscut a 25" wide board on your MARK V with full control.

Whether it's your basic 90° cut-off, simple picture frames, complex compound miters, or a 20-sided object, the *MiterSled 5000* delivers perfect repeatable accuracy – the first time, every time and with any angle. The precision angle indexing teeth allows 364 positive angle stops in 1/2° increments over a full 90° range. It is continuously adjustable between 1/2-degree steps.

**Includes:** The *MiterSled 5000*; 36" IncraLOCK Flip-Fence with Dual-Arm Flip-Shop Stop Positioner telescopes to 64"; Incra Protractor and 3-piece MDF laminated Sled.

### Features

- 364 positive angle stops
- 1/2° increments
- Special stops at 22½° and 67½°
- GlideLOCK Miter Bar with 10 expansion points
- AngleLOCK 36" IncraLOCK Flip-Shop Stop Fence telescopes to 64"
- INCRA FLIP Shop Stop Positioner 3-panel laminated SLED ... you'll easily achieve mitering accuracy you never thought possible.

**522163A** Incra MiterSled 5000

**\$352.79**

*Fits MARK V Models 505, 510 & Model 520/Pro Fence*

---

*The Incra MiterSled 5000 is a Special Truck Shipment item and requires an additional \$10 shipping fee.*

---





## Drill perfectly square holes for mortise-and-tenon joints, hinges and more with Shopsmith's Hollow Chisel Mortising Attachment

Several years ago, we discontinued the Hollow Chisel Mortising Attachment that we had offered for many years. This was due largely to the fact that hollow chisel mortising was fading in popularity ... as more and more woodworkers were turning to slot mortising with a router. As is the case, with many things in life, this trend is now reversing itself as hollow chisel mortising regains its popularity. Fortunately, we held onto the tooling for this once popular accessory and are now able to bring it back, per your numerous requests.

The principle of this special tool is really quite simple. Just install your Drill Chuck on the MARK V spindle. Then, slip the Mortising Attachment over the outside of the quill on your MARK V, and tighten it in position with a single 5/32" setscrew. Insert the Mortising Chisel of your choice (1/4", 3/8" or 1/2") in the other end of the attachment and tighten the setscrew. Now, slip the appropriate Mortising Bit up through the hollow chisel and secure its shaft in your drill chuck.

The attachment holds the chisel (with sharp honed edges) and keeps it from rotating, while the special Mortising Bit inside turns. As

you advance the quill, the rotating bit removes the majority of the stock while the chisel's edges shave the sides of the mortise square and smooth.

The special Hold-Down attaches to the top of your MARK V's rip fence to keep your workpiece from lifting when the chisel is withdrawn.

### The Shopsmith Mortising Package



This package includes the Shopsmith Mortising Attachment, Mortising Hold-Down, 1/4" Bit/Chisel Set, 3/8" Bit/Chisel Set, 1/2" Bit/Chisel Set and one Chisel Honing Stone.

**555810 Shopsmith Mortising Package \$182.94**  
*(Works with MARK V Models 500, 505, 510 & 520)*  
**YOU SAVE \$7.99**



*Prefer Slot Mortising?*

See Page 45

### Shopsmith's Mortise & Tenon Package

This package includes everything in the Mortising Package described to the left, **PLUS**, the Shopsmith Tenon Master™ Jig. **See Page 45**

**555845 Shopsmith Mortise & Tenon Package \$272.66**  
**YOU SAVE \$20.10**

### Mortising Hold-Down

Attaches to the Rip Fence of your MARK V (Model 500, 505, 510 or 520) to keep your workpiece from lifting when the Bit/Chisel set is withdrawn.

**521900 Mortising Hold-Down \$43.35**

### Mortising Attachment

Attaches to your MARK V's Quill to hold and prevents the Mortising Chisel from turning while the bit inside removes the majority of the stock from the mortise. **ER**

**521901 Mortising Attachment \$49.86**

### Mortising Bit/Chisel Sets

Precision ground to produce sharp, clean square holes and mortises.

**521882 1/4" Bit/Chisel Set \$28.27**

**521883 3/8" Bit/Chisel Set \$30.27**

**521884 1/2" Bit/Chisel Set \$32.37**

### Mortising Chisel Honing Stone

Hollow chisel mortising requires a great deal of downward pressure to shave the sides of the mortise smooth and true. That's why it is extremely important that all four edges of the hollow chisel be kept as sharp as possible. This precision-molded stone has been made specifically for this purpose. The Mortising Chisel Honing Stone is a 50-degree stone for your 1/4", 3/8" and 1/2" chisel.

**521902 Mortising Chisel Honing Stone \$7.34**

**513549 Mortising Chisel Honing Stone – Pre-1990 \$5.93**  
*For 1/4" and 3/8" Mortising Chisels – 41° Stone*

**513550 Mortising Chisel Honing Stone \$3.97**  
*Pre-1990. For 1/2" Mortising Chisels – 46.5° Stone*

## Join boards *A better way* with Shopsmith's Biscuit Joiner



You'll get tighter, stronger joints with the Shopsmith Biscuit Joiner than you could ever hope for with dowels and similar methods.

Just set your MARK V up in Drill Press mode, attach the Biscuit Joiner and cut the small, half-oval slots in the edges of your mating boards. Glue the special, football-shaped Biscuits into the slots, clamp and allow to dry.

The highly compressed beechwood Biscuits start swelling as soon as they contact the glue, creating a super-tight fit that *locks* the joined boards together – permanently.

A simple setting lets you control the depth-of-cut for the three different-sized biscuits. Workpiece alignment is assured by the Biscuit's uniform shape and size ... and by the precision of the slots cut by the Joiner.

You can even slide the mating boards back-and-forth to make lateral adjustments.

**555320 Shopsmith Biscuit Joiner** **\$146.48**

(Includes Carbide-Tipped Cutting Blade, Non-Slip Surfaces, Instruction Manual and 25 #20 Biscuits)

### Replacement Non-Slip Pads

Pair of adhesive-backed Pads attach to Joiner face to stop *creeping* during operation (pair).

**516348 Non-Slip Joiner Pads** **\$5.31**

### A biscuit size for every job



Biscuits are 5/32" thick, compressed beechwood. Three different sizes are available. Packaged 100 per bag.

#### #20 Biscuits – 2 5/8" x 1"

For larger projects and those under the greatest stress.

**710203 #20 Biscuits** **\$10.49**

#### #10 Biscuits – 2 1/8" x 3/4"

For joinery on all types of projects.

**710205 #10 Biscuits** **\$10.49**

#### #0 Biscuits – 1 3/4" x 5/8"

For joining smaller projects and edge-to-edge applications with no high stress anticipated.

**710206 #0 Biscuits** **\$10.49**

## Dadoing, Rabbeting, Dovetailing, Edging and Slot Mortising – Just a few of the ways you'll use our versatile Router Package



Experienced woodworkers know the router is one of the most versatile of all power tools. Use it to create a variety of strong, attractive joints like sliding dovetails, rabbets and dados; to hollow-out boxes, trays and similar projects; to add decorative edges to furniture or architectural moldings; even to create freehand designs for signs, wall plaques and crafts projects of all types.

With a few limitations, the Shopsmith Router Package will perform all of these operations. It just does them a bit differently. First of all, it's used with the MARK V in the Drill Press mode of operation.

The 1/2" shaft Carbide-Tipped Router Bits slip into a special 1/2" Router Chuck, which attaches directly to the MARK V Spindle. The moving Bit remains in the same place while the workpiece is moved through the cut.

When Routing with this MARK V setup, you'll enjoy a much better view of the work in progress than with a hand-held router or router table. A see-through Shield protects your eyes from flying dust and chips and keeps your fingers out of harm's way.

Plus, with this setup, you'll also be able to use your MARK V's Rip Fence and Miter Gauge when performing repetitive cuts with or across the grain.

### The Shopsmith Router Package includes:

(555191) 1/2" Router Chuck with Shield **plus** five Carbide-Tipped, 1/2" shank Router Bits (521866, 521867, 521868, 521869, 521870)  
**555176 Router Package** **\$115.49**  
**YOU SAVE \$18.70**

### Router Chuck and Shield

**A. The Shopsmith Router Chuck** has been engineered to withstand the side thrust that's typical with routing operations. **Side thrust operations will damage Geared Chucks.** Two Chucks are available to accept either 1/2" or 1/4" shank bits. Both models attach directly to your MARK V's 5/8" Spindle.

**B. The Clear Shield** clamps around the MARK V Quill with a single setscrew and provides both front eye protection and a rear brush that can be adjusted to meet the top of your workpiece, the MARK V Rip Fence or the Shopsmith Shaper/Drum Sander Fence for added dust collection efficiency.

**555191 1/2" Chuck with Shield** **\$38.08**  
**555189 1/4" Chuck with Shield** **\$38.08**  
**514631 1/2" Router Chuck (only)** **\$18.98**  
**514632 1/4" Router Chuck (only)** **\$18.98**

### Carbide-Tipped Router Bits

These rugged Bits have been designed to provide durable, smooth-cutting service when working with hardwoods, softwoods or tough laminates in either a home shop or production environment. All feature 1/2" shanks for use with the Shopsmith Router Chuck.

**C. 521870 3/4" Straight Bit** **\$20.04**  
**D. 521869 1/2" Straight Bit** **\$18.99**  
**E. 521868 3/8" Straight Bit** **\$17.94**  
**F. 521867 1/4" Straight Bit** **\$17.94**  
**G. 521866 1/2" Dovetail Bit** **\$21.20**

## Mortise and Tenon Joint Basics

The mortise-and-tenon is one of the strongest joints in woodworking ... and the recent popularity of arts-and-crafts (mission) furniture has also made it one of the most popular.

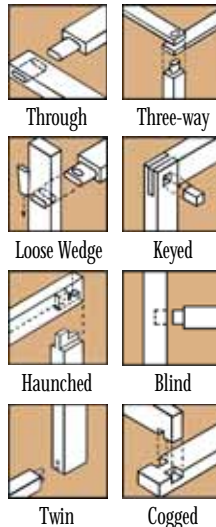
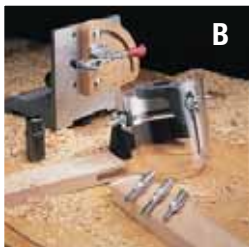
**Proportions:** Tenons are usually 1/3 the thickness of the mating stock and centered. **3/4" stock = 1/4" tenon.** The mortise should be about 3/4" the width of the mating stock. For blind joints, the tenon should be a bit shorter than the mortise depth, to allow room for glue. **4" wide stock = 1 7/16" long tenon.**

**Which first – mortise or tenon?** The mortise should always be cut first, because it's far easier to *shave* tenon dimensions than it is to enlarge mortises.

**Which mortising method?** Slot mortises are created by drilling or routing, then sized and squared with a chisel. Hollow chisel mortises are created by a square, tubular chisel with a drill bit inside. This method is faster and requires less sizing and squaring.

**Which tenoning method?** Tenons can be formed by making repetitive Dado blade passes with the stock laying flat on the work table surface – or by making (usually) six cuts with a regular saw blade and a tenoning jig that lets you stand the stock "on end" to cut the broad sides of the tenon's *cheeks*. Routers can also cut tenons, using special jigs.

### Creating the eight most common types of mortise-and-tenon joints is easy with Shopsmith's Mortising accessories



#### A. Cut perfect tenons every time with the Tenon Master™ Jig

The Shopsmith *Tenon Master™* Jig was designed with a wide, flat face that holds workpieces exactly perpendicular to the work table top. It is used primarily with the table saw for creating tenons on the ends of boards ... but is equally useful for holding and guiding workpieces through all types of operations on other tools.

Made of cast aluminum, it offers a large comfortable knob for optimum control and a built-in miter bar that fits your MARK V, Band-saw or Belt Sander Miter Gauge slot perfectly.

A toggle clamp is included to help you grip the workpiece, as is an arced wooden trunnion to provide back-up support when cutting stock with angled ends. For example, when cutting spline grooves in the mating faces of miters.

A very versatile accessory with numerous work-saving/precision-enhancing applications.

Includes Toggle Clamp, wooden Angle trunnion and complete instructions.

**555479 Tenon Master™ Jig \$117.90**

#### B. Slot Mortising Package teams the Tenon Master™ Jig with Shopsmith's Router Chuck, Bits and Shield

This package includes Shopsmith's 1/4", 3/8" and 1/2" Carbide-Tipped straight (1/2 shank) Router Bits; the Shopsmith Router Chuck with Shield; and Shopsmith's *Tenon Master™* Jig.

**555372 Slot Mortising Pkg. \$188.61**  
**YOU SAVE \$11.64**



*Prefer Chisel Mortising?*

See Page 43



#### Quick-release Toggle Clamp Assembly is the perfect workpiece gripper for fixtures

Perfect for use with all types of jigs and fixtures in the shop. A quick flip of the lever clamps the adjustable, rubber foot firmly onto the surface of your stock. Includes four mounting screws.

**555094 Toggle Clamp Assembly \$17.99**

### Shaper/Router Guard Upgrades



#### Shaper/Router Guard Retro-Fit Kit delivers added safety and dust collection efficiency

*Upgrades Shaper/Router Kits purchased prior to 1/86*

This special Kit includes a clear, see-through Shaper/Router Guard Shield; a Shaper/ Drum Sander Vacuum Attachment (C); a quill-mounted Featherguard Hold-Down; rear Fence Guard; Featherboard; plus all mounting hardware.

**555140 Shaper/Router Guard Retro-Fit Kit \$54.30**



#### C. Shaper/Drum Sander Vacuum Attachment captures sawdust and debris at the source

Attaches to the underside of the Shaper/Drum Sander Table Insert on MARK V Models 500, 505, 510 and 520.

**555168 Shaper/Drum Sander Vacuum Attachment \$11.76**



*The Shopsmith MARK V is essential for so many things I do – whether it's a handyman project, hobby or furniture making.*

~ P. Thorell, Sun City West, AZ

# Enjoy unrivaled precision and dust collection efficiency with our micro-adjustable, two-piece Pro Fence Router Table System



## Table Surface

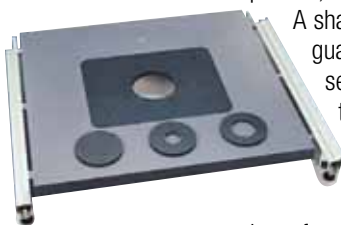
Accepting virtually any hand-held router motor, it can be used as a “floating table” between your MARK V’s Work Table and Extension Table, or as an outboard unit, supported by your Extension Table and Telescoping Legs.

Made of 1¼” thick double-refined MDF (medium density fiberboard), all surfaces are laminate-covered for durability and smooth-gliding action.

## Mounting Plate

The patented Woodhaven Mounting Plate comes with a blank insert, a 2” hole insert, a 1” hole insert with a 1¾” diameter bushing counterbore, a 1/2” diameter nylon starting pin, and complete with instructions and mounting hole diagrams for 37 popular router motors.

The Plate is supported by four, Woodhaven Stay-True Plate Levelers™ that can be adjusted to provide snag-free gliding action.



## Adjustable Fences

Each of the two rugged, extruded aluminum Fences mount quickly and independently with twin knobs to the T-Track in the top of your Pro Fence System Rip Fence.

Each Fence offers more than enough left/right travel providing the ideal bit clearance for optimal workpiece support ... whether you’re working with a 1/8” diameter straight bit or a giant, 3” or larger diameter panel-raising bit.

The in-out position of each fence half is controlled by turning a large, four-wing adjustment knob. Each 1/4-turn provides a precise, 1/128” of micro-adjustment.

A shatter resistant, see-through upper guard provides eye protection and helps seal off the gap between the two fences for added dust collection efficiency.

Connect the vacuum port on either half of the fence to a 2½” diameter hose for super-efficient dust collection. A 2½” elbow is included (and required) for attaching the hose to either of these ports.

<b>555865</b> Pro Fence Router Table System	<b>\$539.99</b>
<b>555995</b> Router Table	<b>\$345.65</b>
<b>521963</b> Router Fence	<b>\$304.88</b>

## Optional Accessories



**A. Router Table Guard** – Use when freehand routing or using bits with bearing pilots.

**Includes:** See-through Guard, screw-in mounting post and bracket and integral, dust port.

**515704** Router Guard **\$66.14**

**B. Router Table Featherboards** – Attach to threaded inserts in Table surface to hold stock against Fences during straight line routing.

**Includes:** (2) Featherboards, (4) knobs and (4) washers.

**555878** Featherboards **\$26.06**

**C. On-Off Switch** – Attach to the underside of your Router Table and then plug your router motor into it. Eliminates fumbling for your router motor’s switch during operations.

**555877** On-Off Switch **\$44.74**

**D. Rip-Fence Featherboard** – Attaches to the top of your Router Table Fence for use as a hold-down during straight-line routing.

**555783** Rip-Fence Featherboard **\$22.55**

**E. Dust Collection Elbow** – 2½” Elbow allows you to attach a DC3300 Dust Collection Hose to each end of your Router Table’s Fences for even greater efficiency.

**514521** 2½” Elbow **\$7.39**

**F. Fence Light Kit** – Includes a Shopsmith Utility Light (555503) and special bracket for mounting to the T-Track in the top surface of Router Table Fences.

**555806** Light w/Bracket **\$71.30**

**521787** Bracket only **\$22.22**

**Full-featured Router Table Kit fits on the end of your MARK V**



Just drop the twin Mounting tubes into the Extension Table mounts on your MARK V, install and adjust the single Telescoping Leg on the opposite side and you have the foundation for a great Router Table.

The 23<sup>3/4</sup>" x 18" laminate-covered table top features a drop-in center insert (with leveling shims), to which you attach your router motor's base. Its inlaid aluminum T-Slot miter gauge channel will accept the MARK V Miter Gauge or Featherboards and can be easily adjusted for a snug fit.

A series of threaded inserts in the table's surface accept the independently adjustable two-piece Fence which can be locked into position with comfortable 3-wing knobs. Travel slots in the Fence faces allow the attachment of shop-made faces.

The Router Guard offers a large 2<sup>1/2</sup>" dust collection port on top and an adjustable brush on the back side to contain and direct dust and debris.

The large table surface also makes an excellent auxiliary support table for other MARK V operations. Includes the Router Table, Extension Table Base, one Telescoping Support Leg, Router Guard (with built-in dust pickup), Guard Support Assembly and Fences. Can also be mounted on the Power Station.

The MARK V Router Table requires a separate router motor. The router motor must not exceed 3 hp. The router base must be round and not exceed 6<sup>1/2</sup>" in diameter. **EB M2**

**555658 Router Table Kit \$285.37**

**Router Table Upgrade**

**Retro-Fit Router Table Fence and Hardware**

Standard on Routing Systems purchased after 8/28/89. Includes Fence, Hardware and Knobs.

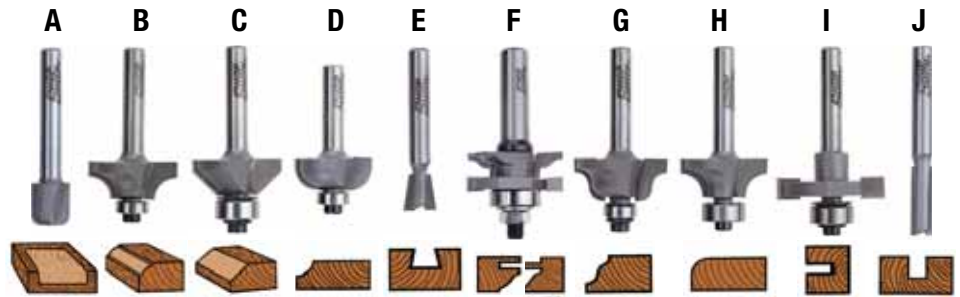
**551511 Adjustable Fence and Hardware \$36.76**



**Enjoy super-smooth cuts and long-lasting durability with these premium-quality Shopsmith Carbide Router Bits**

Routing is an accurate way to cut, shape, mold, mortise, duplicate and form intricate, professional-looking joinery. Made of tough carbide to Shopsmith's specifications, the bits are designed to hold their razor-sharp edges up to 10 times longer than high-speed steel bits. It's best to make several light passes through the wood. One deep cut could splinter the wood at the end of a cross-grain cut. If possible, leave extra

stock on the workpiece so any splintered area can be cut away. Making all cross-grain cuts first helps avoid splinter problems. Work the wood at an even steady pace. Too slow, the wood will burn — too fast and the motor will labor and the cut will not be smooth. **All of these Bits feature 1/4" shanks and are designed for use with the (514632) Shopsmith 1/4" Router Chuck. See Page 44**



**A. "3-in-1" Router Bit routs out plates, trays or boxes**

Cuts a straight side up to 1<sup>1/4</sup>" deep with a radius of 1/8" and 7/16" width. Makes smooth rounded corners, and shapes a perfectly flat bottom — all in a single pass! Finest industrial grade, high-speed carbide.

**All bits have 1/4" shank**

**555407 3-in-1 Router Bit \$23.29**

**B. Beading**

**555230 1/4" Beading \$27.59**  
**555238 3/8" Beading \$28.69**

**C. Chamfer**

**555234 45° Chamfer \$20.99**

**D. Cove**

**555228 1/4" Cove \$27.59**  
**555224 1/2" Cove \$33.09**

**E. Dovetail**

**555235 3/8" – 9° Cutting Angle \$8.79**  
**555237 1/2" – 14° Cutting Angle \$9.99**

**F. Reversible Stile and Rail Bit does the job of two separate bits**

Cuts both the stile and rail pieces for door panel framework. Match up stile cuts with rail cuts by removing the locking nut and changing the profiling cutters and bearing.

We include shims to assure perfect alignment. Recommended for use on 3/4" stock. 1<sup>1/2</sup>" diameter x 3" long.

**555380 Reversible Stile and Rail Bit \$69.59**  
*(1/2-inch Shank)*

**G. Roman Ogee**

**555231 5/32" Roman Ogee \$29.79**

**H. Round Over**

**555229 1/4" Round Over \$25.39**  
**555223 3/8" Round Over \$30.89**  
**555244 1/2" Round Over \$33.09**

**I. Slot Cutter & Rabbeting**

**555246 1/4" Slot Cutter \$18.79**  
**555233 3/8" Rabbeting \$20.99**

**J. Straight**

**555222 1/4" Straight \$12.19**  
**555277 3/8" Straight \$12.19**  
**555232 1/2" Straight \$13.19**  
**555236 3/4" Straight \$13.19**

**"T-Slot" Bit cuts keyhole-shaped slot for hanging plaques/frames**

Cuts a slot that lets the head of a screw or nail slip into the bottom or one side and slide along a 1/4" slot. Forms a 1/4" wide slot and a 3/8" diameter keyhole. Cuts up to 5/8" deep. Carbide tipped.

**555406 T-Slot Router Bit \$19.79**

# The Shopsmith Overarm Pin Router

**Route exact duplicates the fast, easy way!**



## Here's what you'll get:



Overarm, Mounting Clamps, Work Table, (2) Table Inserts (one for conventional routing and one for pin routing), (3) Guide/Starter Pins, Two-piece Fence with Mounting Knobs, Safety Shield, Dust Port, Mounting Hardware and Manual.

## Now, you can turn your hand-held router into one of the most versatile tools in your workshop

### You'll be amazed how often you'll reach for this incredible tool!

Originally offered as a free-standing model in the 1980's, the Shopsmith Overarm Pin Router has been recently re-designed for easy mounting to your MARK V in a matter of seconds.

Just mount the Overarm and Router Table directly to your MARK V's twin Way Tubes and Work Table and in minutes, you'll be performing many operations faster and with far greater precision and repeatability than you could hope to achieve with *conventional* routing methods.

### You'll do all this with your Overarm Router:

- Form decorative edges and surface designs on straight or curved stock.
- Cut precision dados, rabbets, sliding dovetails, drop-leaves and similar joints.



Cutting drop-leaf

- Repair furniture and veneers.
- Joint workpiece edges for glue-ups.
- "Saw" straight and irregular shapes.
- "Drill" round or oddly-shaped holes.
- Pin rout exact duplicate workpieces.



Duplicating a plaque

safe view of your work at all times ... and be able to make depth-of-cut adjustments with a simple drill press-like quill lever.

### So ... what exactly is Pin Routing?

It's a simple operation that uses a shop-built guiding fixture to make exact duplicates of workpieces, just like they've done in cabinet shops and furniture factories for years.

### Here's how the Pin Routing process works:

- A particleboard or MDF fixture is made by cutting grooves in one side, matching the shape of the pieces you want to make.
- A straight bit is inserted into the router motor (mounted in the Overarm).
- A tracing pin (same size as the groove in your fixture – and your bit) is inserted into the Table Plate. The pin and bit are then aligned perfectly with one another.
- A workpiece is temporarily screwed to

(or clamped into) the opposite side of the grooved fixture.

- The fixture is then flipped over (with the workpiece attached) and its groove dropped over the tracing pin.
- The router motor is turned on and the bit lowered into the stock. The groove is traced over the pin, creating a workpiece that matches the size and shape of the groove in your fixture, perfectly.
- The workpiece is removed and replaced with a new blank ... then the process is repeated, if desired.
- Once you've made a fixture, cut out as many parts as you like, then set it aside until the next time you want to make more of the same item.

### Feature-packed for top performance

Your Overarm Pin Router is loaded with features and capabilities that will help you turn out better projects every time.

- The rigid, cast aluminum Arm **will not flex** during operation.
- A large Work Table with a friction-free, laminate-covered surface delivers smooth operation and optimal support.
- Precision, rack-and-pinion Quill Feed mechanism makes minute adjustments a *snap*.
- Shatterproof, see-through Safety Guard keeps your fingers out of harm's way.
- Built-in Dust Chute catches debris at its source.
- Comprehensive Owner's Manual guides you through set-up and all operations.

**555970 Overarm Pin Router \$485.99**

with standard accessories ESB

Single Support Leg required for

Model 500 units (555627) [See Page 30](#)

## SPECIFICATIONS

Maximum router motor HP.....	3 hp	Work Table size .....	18 1/2" d x 28" w x 3/4" h (laminate-covered MDF)
Router motor diameters accepted* .....	2 1/2" to 4"	Guide/Starter pin.....	1/4", 3/8" & 1/2" diameters furnished
Throat depth.....	10 1/2" to 18 1/2" † (bit center to Way Tubes)**	Maximum bit diameter (with insert) .....	1 3/8"
Vertical motor travel (lever-controlled) .....	3 1/2"	Maximum bit diameter (without insert).....	2"
Maximum workpiece thickness .....	Approx. 1 1/4" ‡	Dust port diameter .....	2 1/4"
Fence size (2) .....	13 1/4" w x 1 1/4" h		

\* Round motors only.

\*\* With 3 1/2" diameter Router Motor. Distances vary, depending on diameter of router motor.

† Maximum dimensions, depending on which set of Arm mounting holes are used.

‡ Varies, based on router motor and bit used.

## Your guide to maximum MARK V performance

This section of the Shopsmith Catalog is devoted to helping you keep your MARK V and Special Purpose Tools operating at their peak. The easiest and best way for you to ensure that your machines are performing up to standards is to follow the guidelines for periodic maintenance in your Owner's Manuals. Doing this will help you avoid most of the problems which might occur.

In those rare instances when you may need to purchase a replacement part (usually at the recommendation of our Technical Services Staff), this special Parts Price List will help you identify the items you need and provide

their part numbers and current prices.

It is important that you follow the Periodic Maintenance Schedule in your MARK V manual. We've also included a table here that describes the ten most common problems encountered by MARK V users – and their remedies. If you have a problem with your MARK V, look to this table (or the Troubleshooting Chart in your Owner's Manual) first for the solution. If you are unable to find the solution you need here, just call our TOLL-FREE Technical Services Hotline at **1-800-762-7555** for the answers you need.

### 10 most common MARK V problems and their remedies

- |   |  |   |
|---|--|---|
| ① | <b>Machine bogs down when ripping</b> .....                        | Re-tension the Poly-V Belt to have no less than 1/8" deflection.  |
| ② | <b>Circuit breaker blows when you turn machine on</b> .....        | Check to see if you turned off your machine on high speed. If so, unplug your machine and install the sanding disc. Rotate the disc counter-clockwise, by hand, while turning the speed dial to slow. |
| ③ | <b>Speed dial is difficult to turn</b> .....                       | Oil sheaves. Check speed control quadrant assembly for lubrication.   |
| ④ | <b>Nothing happens when turning machine on</b> .....               | Check for loose wires. Replace switch, if necessary.  |
| ⑤ | <b>Depth control dial won't lock</b> .....                         | Check serrated washers. Clean with wire brush or replace.   |
| ⑥ | <b>Bit drills deeper than setting on depth dial</b> .....          | Check quill spring housing to see if spring has slipped. Make sure indentation on quill spring housing aligns with setscrew used to lock housing in place.  |
| ⑦ | <b>Headstock is difficult to slide on way tubes</b> .....          | Wax (or rotate) way tubes.  |
| ⑧ | <b>Saw blade hits table insert when tilting table to 45°</b> ..... | Extend the quill to achieve necessary clearance.  |
| ⑨ | <b>Sandpaper difficult to remove from disc</b> .....               | Heat in oven, with iron, or with heat gun to soften glue.   |
| ⑩ | <b>Headstock lock squeaks when tightening</b> .....                | Clean threaded rod with wire brush, then lubricate with powdered graphite.  |

**IMPORTANT NOTE:** The exploded views and listings of parts presented here are for the most recent models of Shopsmith equipment. If you have difficulty locating the part you need on any of the drawings, or find that the part number is not listed, you own an earlier model machine. Call our Technical Services Hotline, TOLL-FREE at **1-800-762-7555** for assistance.

## The 17 Most Frequently Ordered Shopsmith MARK V Service Parts



**A. DC3300 Dust Collector Fan**  
May require replacement if your DC3300 seems to lack sufficient power to pick up. A roaring noise indicates that replacement is required.  
**515287 \$34.00**

**B. Gilmer Belt** – May require replacement if your MARK V bogs down during use, or if your belt is frayed or broken. Contact Shopsmith Customer Service for belt tensioning instructions prior to replacement.  
**521683 \$31.99**

**C. Motor Drive Belt** – May require replacement if your MARK V is vibrating excessively, or the belt is frayed or broken.  
**521682 \$19.99**

**D. Poly-V-Belt** – May require replacement if your MARK V bogs down during use, or if your belt is frayed or broken. Contact Shopsmith Customer Service for belt tensioning instructions prior to replacement.  
**521681 \$22.80**

**E. Replacement Caster Wheel**  
Use these to replace the worn-out wheels on your Shopsmith casters.  
**522215 \$3.59**

**F. Jointer Fence Tilt Quadrant**  
May require replacement if the outfeed end of the jointer fence raises too high off the outfeed table surface, or if the fence lock handle fails to hold the fence at the proper angle when tightened.  
**502651 \$38.32**

**G. Speed Control Assembly**  
Includes all the parts required for repairing speed changing problems. An assembly for those customers who prefer to replace the entire assembly instead of the individual parts.  
**504198 \$54.80**

**H. Quadrant Assembly**  
This small, "pork-chop" shaped piece of the speed dial, may need to be replaced if your MARK V's speed fails to increase when turning dial.  
**504221 \$22.43**

**I. Control Sheave Assembly**  
May require replacement in the event the bearing gets clogged and ceases to turn, or if the snap-on rectangular retaining loop pulls off the end of the control sheave.  
**515556 \$49.26**

**J. Help Kit Hardware Pack**  
Be prepared – order this collection of 57 assorted setscrews and shims for your MARK V and other Shopsmith accessories.  
**515714 \$24.72**

**K. Locking Toggle Switch**  
**522384 \$30.87**

**L. Older Style Toggle Switch**  
**515605 \$27.80**

**M. Quill Feed Handle Assembly**  
Comes complete with hub.  
**513682 \$14.90**

**Headstock Lock and Wedges**  
These may require replacement if the MARK V headstock lock fails to turn, yet the headstock still slides on the way tubes; or if the lock is loosened, yet the head stock fails to slide. Order all three part numbers for the most effective repair.

**N. Lock** – Includes the headstock Lock handle and threaded connecting rod for the two wedges.  
**513014 \$17.57**

**O. Left-Hand Wedge**  
**504234 \$8.95**

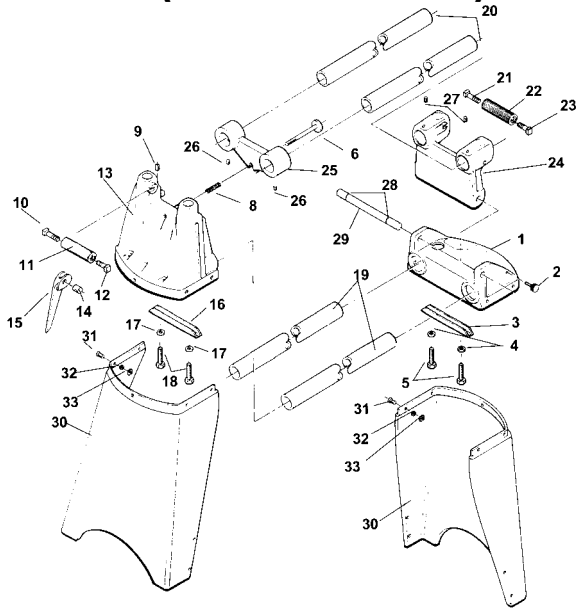
**P. Right-Hand Wedge**  
**504235 \$8.95**

**Q. Speed Control Handle** – The portion of the speed dial that is turned with the fingers. Replace it if the machine speed changes while the speed dial remains at the same setting.  
**504229 \$29.52**

Parts List Index	
Bandsaw.....	56-58
Belt Sander.....	60-61
Dust Collector .....	63
Jointer.....	62
Planers.....	64-66
Scroll Saws.....	58-59
Shopsmith MARK V .....	50-56
Strip Sander .....	60

# MARK V

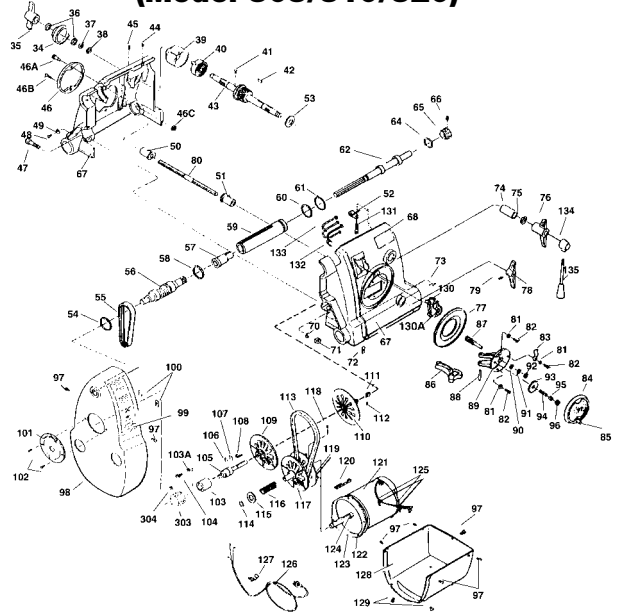
## Bench & Base Assembly (Model 505/510/520)



Ref. No.	Part No.	Description	Qty.	Price Each
—	<b>513618</b>	<b>Bench Assembly (incl. 1-19, 21-23)</b>		\$442.23
—	<b>504144</b>	<b>Base Assembly (incl. 1-5)</b>		65.33
1	518379	Base	1	51.50
2	504293	Arm Lock Knob	1	3.74
3	504146	Tube Lock Bar	1	5.09
4	120382	Washer	2	0.80
5	138245	Hex Bolt	2	0.80
—	<b>504148</b>	<b>Headrest Assembly (incl. 6-18)</b>		137.99
6	504158	Lock Shaft	1	4.66
8	504161	Lock Spring	1	0.80
9	504153	Hex Socket Setscrew	1	1.36
—	<b>501286</b>	<b>Accessory Mount Lock Assembly (incl. 10-12 or 21-23)</b>		17.55
10	†	Left-Hand Stud	1	
11	†	Sleeve and Insert Assembly	1	
12	†	Right-Hand Stud	1	
13	517768	Headrest	1	87.30
14	504157	Cam Pin	1	6.91
15	5041569	Headrest Handle	1	8.78
16	504146	Tube Lock Bar	1	5.09
17	120382	Washer	2	0.80
18	138245	Hex Bolt	2	0.80
19	504163	Bench Tube	2	57.25
20	501193	Way Tube	2	73.20
21	†	Right-Hand Stud	1	
22	†	Sleeve and Insert Assembly	1	
23	†	Left-Hand Stud	1	
24	518381	Base Arm	1	60.47
25	50426401	Way Tube Tie Bar (incl. 26)	1	15.54
26	502051	Cup Point Setscrew	2	0.80
27	502051	Cup Point Setscrew	2	0.80
28	517642	Retaining Ring	2	0.80
29	518378	Base Arm Pin	1	7.89
30	50416201	Leg	2	60.75
—	<b>522063</b>	<b>505/510/520 Hardware Pack</b>	1	6.91
—	<b>522064</b>	<b>Hex Wrench Pack</b>	1	8.75
31	518114	Truss Head Screw	10	0.80
32	115546	Lock Washer	10	0.68
33	120372	Square Nut	10	\$0.80

† Not available as a service part.

## Head Stock Assembly (Model 505/510/520)



Ref. No.	Part No.	Description	Qty.	Price Each
—	<b>522400</b>	<b>Headstock Assembly, 60 hz. 120 Volt, Domestic (incl. 34-135)</b>		1,604.24
—	<b>522399</b>	<b>Headstock Assembly, 60 hz. 240 Volt, Domestic (incl. 34-135)</b>		1,660.49
—	<b>522404</b>	<b>Headstock Assembly, 50 hz. 240 Volt, European (incl. 34-135)</b>		1,716.74
—	<b>504171</b>	<b>Quill Feed Assembly (incl. 34-43)</b>		100.22
34	5013149	Feed Stop	1	15.83
35	5041729	Feed Stop Handle	1	9.21
36	501311	Serrated Washer	2	2.58
37	501627	Washer	1	1.78
38	501626	Retaining Ring	1	0.80
41	145378	Drive Screw	1	0.80
42	110731	Woodruff Key	1	0.80
43	501312	Quill Feed Pinion	1	36.27
44	501634	Setscrew	1	2.59
45	513056	Allen Setscrew	1	0.80
46	51372304	Logo Cover	1	30.56
46A	516531	Pivot Pin	1	0.92
46B	449613	Screw, Phillips Head, 8-32 x 3/8"	1	0.80
46C	516536	Push Nut	1	0.80
47	516895	Machine Screw, 5/16" x 1-3/4"	1	0.80
48	448027	Pan Head Screw	2	0.80
49	501630	Washer	2	0.80
50	504234	Right-Hand Wedge Lock	1	5.24
51	504235	Left-Hand Wedge Lock	1	5.24
52	514779	Wire Retaining Clip	1	1.11
53	501317	Spherical Washer	1	1.49
54	501299	Retaining Ring	1	4.34
55	521681	Poly V-Belt	1	22.80
56	518145	Drive Sleeve Assembly (incl. 57)	1	101.27
57	514083	Drive and Ring Assembly	1	7.64
58	501621	Retaining Ring	1	1.45
—	<b>518210</b>	<b>Quill Assembly (incl. 59-66)</b>		149.29
59	†	Quill Housing	1	
60	501307	Quill Bumper Ring	1	0.80
61	501624	Retaining Ring	1	1.08

(Continued on next page)



Ref. No.	Part No.	Description	Qty.	Price Each
62	†	Spindle Assembly	1	
64	†	Retaining Ring	1	
65	†	Spindle Knob	1	
66	102581	Allen Setscrew	1	\$0.80
67	522382	Headstock Housing Assembly (Incl. 46-46C, 52, 68, 99, 103A, 130-133, 189)	1	269.66
68	516627	Speed Chart Label	1	3.25
70	120379	Washer	1	0.80
71	102634	Hex Nut	1	0.80
72	501656	Tinnerman Clip	6	0.80
73	504196	Spring	1	1.94
74	501318	Quill Feed Sleeve	1	4.57
75	501631	Washer	1	1.27
76	5041769	Quill Lock Handle	1	9.34
77	5042259	Speed Control Dial	1	17.03
—	<b>513014</b>	<b>Headstock Lock Assm. (incl.78-80)</b>		17.57
78	†	Headstock Lock	1	
79	†	Rollpin	1	
80	†	Rod	1	
81	115545	Shakeproof Lock Washer	3	0.80
82	448027	Screw	3	0.80
83	504228	Dial Spring	1	0.80
84	504229	Speed Control Handle (incl. 85)	1	29.52
85	145709	Allen Setscrew	1	0.80
—	<b>504198</b>	<b>Speed Control Assm. (incl. 86-96)</b>	1	54.80
86	504221	Quadrant Assembly	1	22.43
87	504216	Worm Control Shaft	1	5.33
88	457008	Rollpin	1	0.80
89	513700	Speed Control Bracket	1	24.36
90	513089	Spring Washer	1	0.80
91	501640	Washer	1	0.80
92	504217	Retaining Ring	1	0.80
93	504220	Idler Gear	1	2.85
94	51398905	Setscrew	1	0.80
95	504219	Idler Bushing	1	1.01
96	124818	Jam Nut	1	0.80
97	513608	Pan Head Screw	7	0.80
—	<b>521944</b>	<b>Belt Cover (incl. 98-102)</b>	1	74.57
—	<b>522403</b>	<b>Belt Cover, 240 Volt</b>		102.95
—	<b>522402</b>	<b>Belt Cover, Canadian</b>		96.20
98	522130	Belt Cover (incl. 99)	1	72.87
98A	555894	Shaft Guard Cover	1	7.62
99	516626	Warning Label	1	4.80
100	445124	Spring Flat Nut	2	0.80
101	514471	Vent Plate	1	2.85
102	132696	Roundhead Machine Screw	2	0.80
—	<b>515616</b>	<b>Eccentric Bushing Assembly (incl. 103-104)</b>		27.29
103	†	Eccentric Bushing Mach.	1	
103A	501616	Washer	1	0.80
104	515615	Screw, #6-32 x 3/8" Hex Washer Hd.	1	0.80
—	<b>504177</b>	<b>Idler Shaft Assembly (incl. 105-112)</b>		110.88
105	5041789	Idler Shaft	1	34.99
106	504179	Retaining Ring	1	0.80
107	504189	Sheave Clip	1	0.80
108	501320	Short Key	1	1.46
109	5041809	Idler Sheave	1	30.11
—	515556	Control Sheave Assembly (incl. 110-112)		49.26
110	†	Control Sheave	1	
111	504187	Retaining Loop	1	1.62
112	513734	Rollpin	1	0.80

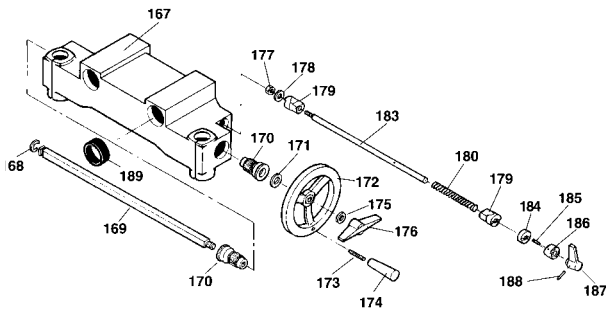
Ref. No.	Part No.	Description	Qty.	Price Each
113	521682	Drive Belt	1	\$19.99
—	<b>504194</b>	<b>Motor Pan Assembly, 120 Volt (incl. 114-129)</b>		499.65
—	<b>513617</b>	<b>Motor Pan Assembly, 240 Volt (incl. 114-129)</b>		542.69
—	<b>516152</b>	<b>Motor and Sheave Assembly, 120 Volt (incl. 114-124)</b>		423.48
—	<b>513614</b>	<b>Motor and Sheave Assembly, 240 Volt (incl. 114-124)</b>		455.21
114	501645	Retaining Ring	1	0.80
115	504553	Washer	1	0.93
116	509226	Motor Spring	1	4.35
117	504208	Floating Sheave	1	32.75
118	513056	Cup Point Setscrew	1	0.80
119	504207	Fan Sheave	1	26.69
120	504209	Long Key	1	1.35
—	<b>513964</b>	<b>Motor Assembly, 60 hz, 120 Volt (incl. 121, 122-124)</b>	1	358.18
—	<b>513968</b>	<b>Motor Assembly, 50/60 hz, 240 Volt (incl. 121A-124)</b>		392.79
121	†	Motor (120 Volt)	1	
121A	†	Motor (240 Volt)	1	
122	†	Drive Screw	5	
123	†	Motor Fan Plate	1	
124	†	Sheave Spacer	1	
125	518679	Wire Tie	2	0.80
126	518242	Power Cord	1	26.17
127	513740	Strain Relief	1	0.80
128	50421201	Motor Pan	1	52.70
129	515426	Pan Head Sems Screw	4	0.80
—	<b>522384</b>	<b>Switch Serv Pack (incl. 130, 130A, 132, 133)</b>		34.87
130	†	Locking Toggle Switch Assm.	1	
130A	515107	Switch Key	1	2.67
131	517328	Hex Wshr Hd. Mach Srw #8-32 x 3/8"	1	0.80
132	518302	Jumper Wire, white	1	3.02
133	518303	Connector Wire, black	2	3.02
—	<b>513682</b>	<b>Lever and Hub Assembly (incl.134-135)</b>		14.90
134	5041739	Quill Feed Hub	1	8.42
135	513017	Quill Feed Handle	1	6.13

## Tips & Techniques

- Never wear jewelry when operating woodworking machinery.
- Be sure there are no loose straps or strings on your clothing.
- Always roll up your sleeves above your elbows.
- Always wear safety glasses.
- Never wear gloves when working on machinery.
- Rubber-soled leather shoes provide the best protection and highest resistance to slippage.

# MARK V

## Carriage Assembly (Model 505/510/520)



Ref. No.	Part No.	Description	Qty.	Price Each
—	<b>514328</b>	<b>Carriage Assembly (incl. 167-188)</b>		\$178.46
167	514209	Carriage	1	82.18
168	504259	Retaining Washer	1	0.85
169	514329	Pinion Shaft	1	9.12
170	514211	Table Elevating Pinion	2	8.37
171	120396	Washer	1	0.80
—	<b>514330</b>	<b>Table Height Crank Assembly (incl. 172-174)</b>		22.23
172	514334	Crank and Insert	1	16.17
173	513418	Handle Shaft	1	4.10
174	513417	Crank Handle	1	2.06
175	120388	Washer	1	0.80
176	5042629	Table Height Lock	1	7.82
—	<b>514335</b>	<b>Carriage Lock Assembly (incl. 177-188)</b>		43.14
177	443334	Flexloc Nut	1	1.25
178	514237	Washer	1	0.80
179	514095	Wedge Lock	2	3.36
180	†	Spring	1	
183	514336	Shaft	1	7.83
184	514526	Cam	1	5.40
185	514527	Rollpin	1	0.80
186	514096	Cam Wedge	1	6.30
187	514126	Carriage Lock Handle	1	9.77
188	455734	Rollpin	1	0.80
189	516667	Carriage Stop Ring	1	1.88

†Not available as a service part.

### Tips & Techniques

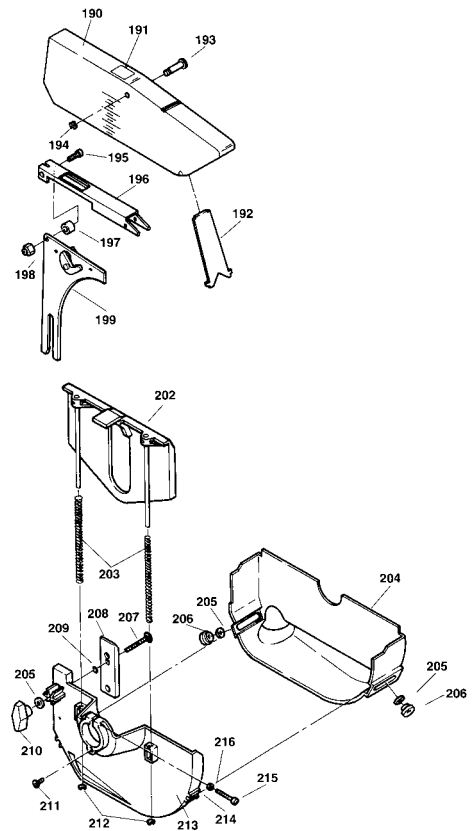
- Regular maintenance is essential for any machine to perform at its best. Follow the maintenance schedule in your Owner's Manual for as long as you own your MARK V.
- We recommend you clean and wax your MARK V after every five hours of running time.



### TECHNICAL ASSISTANCE

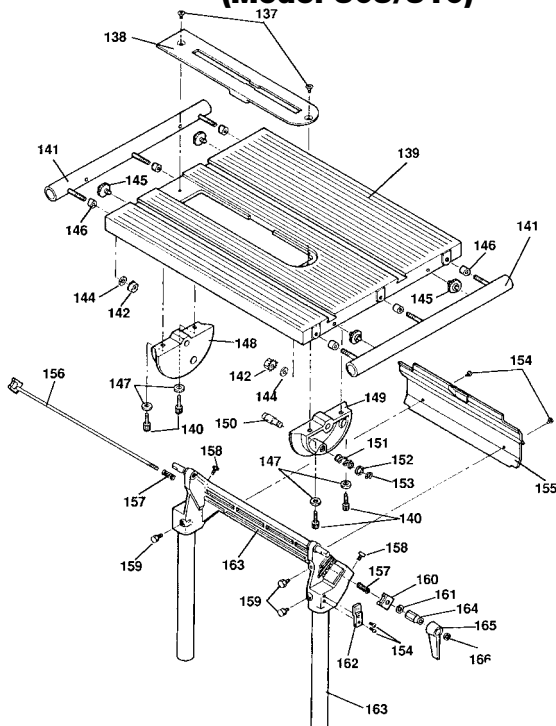
If you cannot find the service part you need, please call our Technical Hotline 1-800-762-7555.

## Upper & Lower Saw Guards (Model 505/510/520)



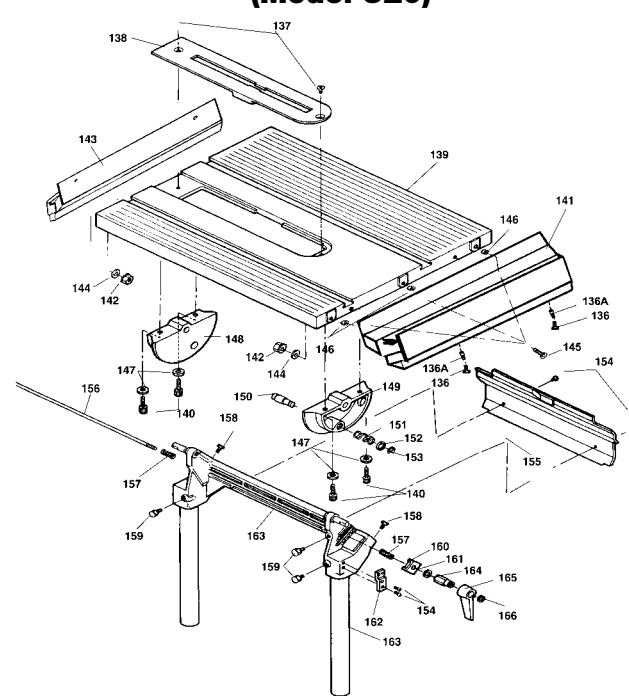
Ref. No.	Part No.	Description	Qty.	Price Each
—	<b>514366</b>	<b>Upper Saw Guard Assembly (incl. 190-199)</b>		\$81.99
190	516338	Upper Guard and Insert	1	23.19
191	514595	Label	1	1.59
192	514247	Upper Guard Insert	1	2.43
193	514305	Hinge Pin	1	0.84
194	514411	Retaining Ring	1	0.80
195	186923	Cap Screw	1	0.80
196	514312	Support Link	1	15.83
197	514114	Support Link Spacer	1	1.25
198	514373	Support Link Hub	1	1.44
199	514367	Riving Knife Assembly	1	44.42
—	<b>514358</b>	<b>Lower Saw Guard Assembly (incl. 202-216)</b>		83.88
202	514361	Inner Guard Assembly	1	19.87
203	514363	Guide Rod Spring	2	0.80
204	521979	Guard Cover	1	14.11
205	504267	Washer	3	0.80
206	514364	Cover Lock Knob	2	1.46
207	514365	Carriage Bolt	1	0.80
208	514113	Lock Plate	1	4.44
209	514473	O Ring	1	0.80
210	514480	Guard Lock Knob	1	2.31
211	514410	Stop Screw	1	0.80
212	514407	Retaining Ring	2	0.80
213	521981	Guard and Pin Assembly	1	47.91
214	514486	Guard Stud	2	0.80
215	147114	Socket Head Screw	1	0.80
216	502973	Lock Washer	1	0.80

## Main Work Table (Model 505/510)



Ref. No.	Part No.	Description	Qty.	Price Each
—	<b>515698</b>	<b>Table Assembly (Incl. 137-166)</b>		\$638.33
137	501637	Hex Socket Head Screw	2	0.80
138	51410004	Table Insert (Center Saw)	1	27.80
139	51409702	Table	1	190.52
140	514351	Tapitite Screw	4	0.85
141	514667	Table Tube	2	24.80
142	515294	Keps Nut	6	0.80
144	120392	Flat Washer	6	0.80
145	514440	Jackscrew	4	4.92
146	514101	Table Tube Spacer	6	0.80
147	501633	Washer	4	0.80
148	514620	Rear Trunnion	1	36.69
—	<b>514339</b>	<b>Front Trunnion Assembly (incl. 149-153)</b>		47.15
149	514130	Front Trunnion	1	40.50
150	514340	Table Stop Pin	1	2.51
151	514341	Compression Spring	1	0.80
152	514466	Washer	1	0.80
153	514342	Retaining Ring	1	0.80
154	517829	Button Head Socket Screw	2	0.80
154A	514040	10-24 x 5/16" Phil Pan Screw	2	0.80
155	514115	Tie Bar Guard	1	5.05
156	514634	Rod and Shoe Assembly	1	24.36
157	514353	Shoe Spring	2	0.80
158	518372	Table Stop Bolt	2	0.80
159	514350	Table Stop Bolt	3	0.80
160	514104	Front Clamp Shoe	1	6.39
161	120393	Washer	1	0.80
162	514311	Indicator Plate	1	6.48
163	514344	Table Bar and Tube	1	153.21
—	<b>514448</b>	<b>Table Lock Handle Assembly (incl. 164-166)</b>		12.80
164	514447	Table Lock Nut	1	3.79
165	5042559	Table Tilt Lock	1	8.24
166	502680	Retaining Ring	1	0.80

## Main Work Table (Model 520)



Ref. No.	Part No.	Description	Qty.	Price Each
—	<b>522363</b>	<b>Table Assembly (incl. 136-166)</b>		\$674.99
136	515859	Knob	4	1.09
136A	518462	Spring	4	0.85
137	501637	Hex Socket Head Screw	2	0.80
138	51410004	Table Insert (Center Saw)	1	27.80
139	51409702	Table	1	190.52
139A	522271	Rubber Magnet, 8-3/4" (not shown)	1	1.96
140	514351	Tapitite Screw	4	0.80
141	522298	Front Rail Assembly	1	79.54
142	515294	Keps Nut	6	0.80
143	518490	Rear Rail Assembly	1	52.11
144	120392	Flat Washer	6	0.80
145	518460	Flat Head Screw	6	0.80
146	518403	Table Spacer	6	0.80
147	501633	Washer	4	0.80
148	514620	Rear Trunnion	1	36.69
—	<b>514339</b>	<b>Front Trunnion Assembly (incl. 149-153)</b>		47.15
149	514130	Front Trunnion	1	40.50
150	514340	Table Stop Pin	1	2.61
151	514341	Compression Spring	1	0.80
152	514466	Washer	1	0.80
153	514342	Retaining Ring	1	0.80
154	517829	Button Head Socket Screw	2	0.80
154A	514040	10-24 x 5/16" Phil Pan Screw	2	0.80
155	514115	Tie Bar Guard	1	5.05
156	514634	Rod and Shoe Assembly	1	24.36
157	514353	Shoe Spring	2	0.80
158	518372	Table Stop Bolt	2	0.80
159	514350	Table Stop Bolt	3	0.80
160	514104	Front Clamp Shoe	1	6.39
161	120393	Washer	1	0.80
162	514311	Indicator Plate	1	6.48
163	514344	Table Bar and Tube	1	153.21

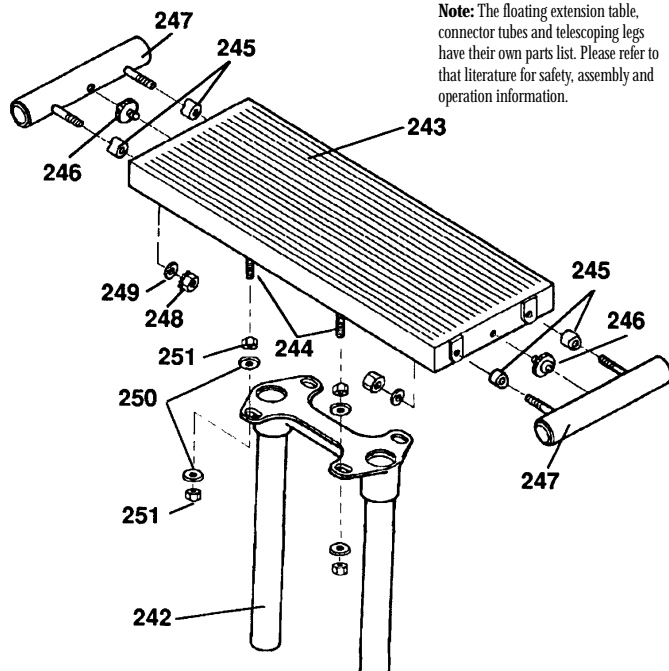
(Continued on next page)

# MARK V

## Main Work Table, continued (Model 520)

Ref. No.	Part No.	Description	Qty.	Price Each
—	514448	Table Lock Handle Assembly (incl. 164-166)		\$12.80
164	514447	Table Lock Nut	1	3.79
165	5042559	Table Tilt Lock	1	8.24
166	502680	Retaining Ring	1	0.80

## Floating & Extension Table (Model 505/510)

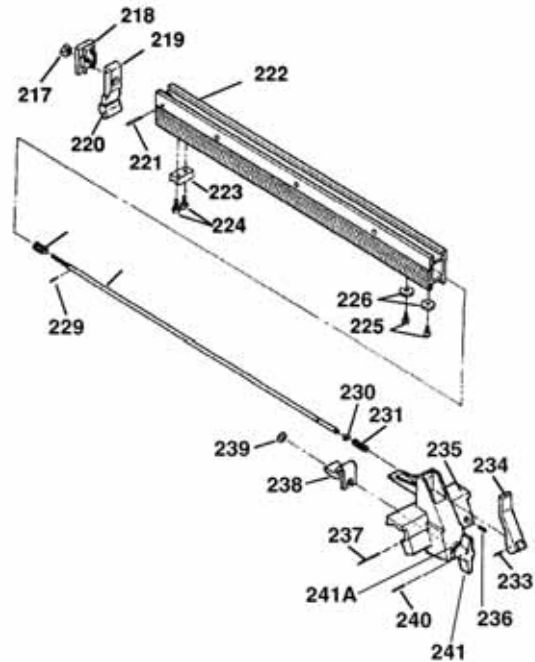


Ref. No.	Part No.	Description	Qty.	Price Each
—	516578	Extension Table & Base Assembly (incl. 242-251)	2	\$187.98
—	516015	Extension Table Assembly (incl. 243-251)		126.92
—	514446	Floating Table (incl. 243, 245-251)	1	113.44
—	516014	Extension Table w/Studs (incl. 243-244)		87.66
242	504273	Extension Table Base	1	51.37
243	514107	Extension Table	1	74.02
244	†	Table Stud Assembly	4	
245	514101	Tube Spacer	4	0.80
246	514440	Jack Screw	2	4.92
247	514663	Tube & Welded Studs	2	14.29
248	515294	Keps Nut	4	0.80
249	120392	Flat Washer	4	0.80
250	120394	Washer	8	0.80



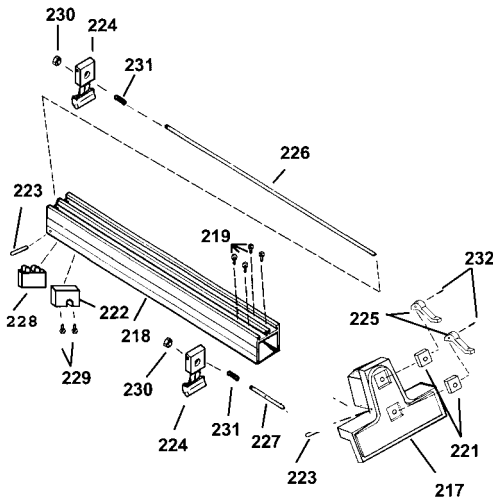
**TECHNICAL ASSISTANCE**  
If you cannot find the service part you need,  
please call our Technical Hotline 1-800-762-7555.

## Rip Fence (Model 505/510)

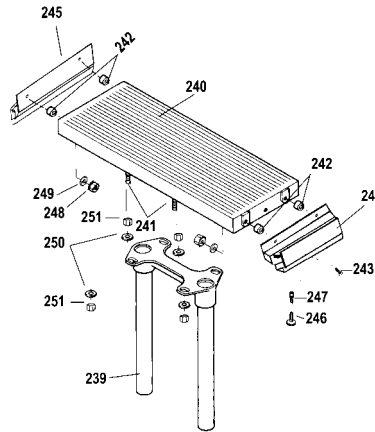


Ref. No.	Part No.	Description	Qty.	Price Each
—	514378	Rip Fence Assembly (incl. 217-241) (incl. 190-199)		\$161.51
217	515286	Lock Nut	1	0.80
218	515114	Fence Cap	1	2.42
—	514455	Outfeed Clamp Assembly (incl. 219-220)		11.63
219	514259	Clamp	1	10.04
220	514454	Protector	1	0.80
221	514391	Rollpin	1	0.80
—	514930	Fence Extrusion Assembly (incl. 222-224)		70.44
222	515328	Fence Extrusion	1	63.80
223	514924	Fence Post	1	3.94
224	514925	Screw	2	0.80
225	515426	Pan Head Sems Screw	2	0.80
226	502333	Flat Washer	2	0.80
227	514568	Screw	1	10.34
228	514463	Spring	1	0.80
229	514389	Rollpin	1	0.80
230	514407	Retaining Ring	1	0.80
231	514353	Spring	1	0.80
—	514465	Handle & Rod Assembly (incl. 232-234)		26.03
232	517838	Fence Lock Rod	1	13.40
233	514527	Rollpin	1	0.80
234	514257	Handle	1	11.49
—	514379	Base Assembly (incl. 235-240)		51.55
235	514254	Fence Base	1	19.23
236	102388	Setscrew	1	0.80
237	514531	Dowel Pin	1	1.14
238	514567	Infeed Clamp	1	8.18
239	514386	Retaining Ring	1	0.80
240	514527	Rollpin	1	0.80
241	514384	Knob	1	6.84
241A	514568	Screw	1	10.34

## Pro Fence Assembly (Model 520)



## Floating Tables (2) & Extension Table (1) (Model 520)



Ref. No.	Part No.	Description	Qty.	Price Each
—	<b>522359</b>	<b>Pro Fence Assembly (incl. 217-232)</b>		\$302.49
217	518419	Fence Base	1	48.39
217A	522287	Indicator Block Assembly (Not Shown)		6.74
218	518400	Fence Extrusion	1	96.75
219	517829	Screw 1/4"-20 x 1/2" Button Hd	4	0.80
220	518404	Front Pad (not shown)	4	1.27
221	514317	Plate-Wear	2	1.04
222	518420	Spring Block	1	8.44
223	518405	Locking Bar Rod	2	1.22
224	518407	Locking Bar	2	5.64
225	521578	Locking Handle	2	7.76
226	518410	Rod-Long	1	8.26
227	518409	Rod-Short	1	2.30
228	518423	Rear Pad	1	1.27
229	518461	Screw #10-24 Flat Hd	2	0.80
230	518459	Lock Nut	2	0.80
231	518416	Spring	2	0.80
232	514527	Rollpin	2	0.80

Ref. No.	Part No.	Description	Qty.	Price Each
—	<b>522375</b>	<b>Extension Table &amp; Base Assembly (incl. 239-251)</b>		\$231.26
—	<b>522369</b>	<b>Extension Table Assembly (incl. 240-249)</b>		184.49
—	<b>522368</b>	<b>Floating Table (incl. 240,242-249)</b>		172.11
—	<b>516014</b>	<b>Extension Table with Studs (incl. 240-241)</b>		86.64
239	504273	Extension Table Base	1	52.37
240	514107	Extension Table	3	74.31
241	†	Table Stud Assembly	4	
242	518403	Table Spacer	12	0.80
243	518460	Flat Head Screw	12	0.80
244	522297	Front Rail Assm. Ext Table	3	43.34
245	518491	Rear Rail Assm. Ext Table	3	30.17
246	515859	Knob	6	1.09
247	518462	Spring	6	0.80
248	515294	Lock Nut	12	0.80
249	120392	Flat Washer	12	0.80
250	120394	Washer	8	0.80
251	120377	Hex Nut	8	0.80

† Not available as a service part.

### Tips & Techniques

- Sharpen your saw blades, lathe chisels and drill bits. A sharp cutter performs better and is safer.
- Be sure you lubricate the sheaves after every 25 hours of running time. Do not use penetrating oil or oil in aerosol cans, as they tend to gum up at low temperatures.
- 50-hour maintenance should be performed on your MARK V at least once a year – refer to your Owner's Manual.

### Tips & Techniques

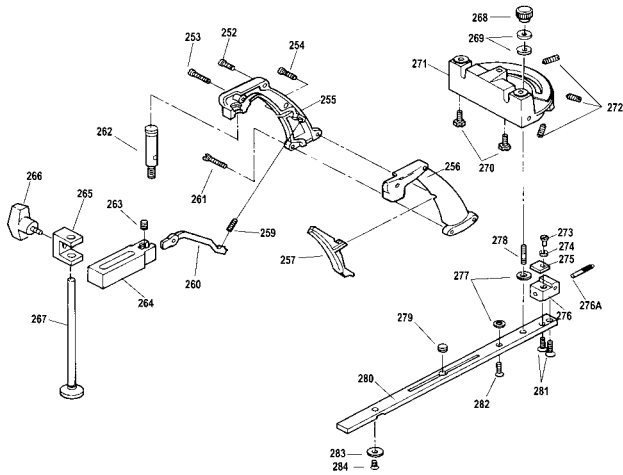
- To assure your extension table mounts easily, clean, wax and buff the tubes. Paste, floor or furniture wax protects and lubricates.
- File or sharpen dull blades, replace worn-out blades and resurface scored blade guide blocks.
- If your miter gauge binds in slots, it could be a bent bar, the table may need replaced, burrs in the table slot, or bar or table slots need clean and waxed.



### TECHNICAL ASSISTANCE

If you cannot find the service part you need, please call our Technical Hotline 1-800-762-7555.

## Miter Gauge & Miter Gauge Safety Grip (Model 505/510/520)



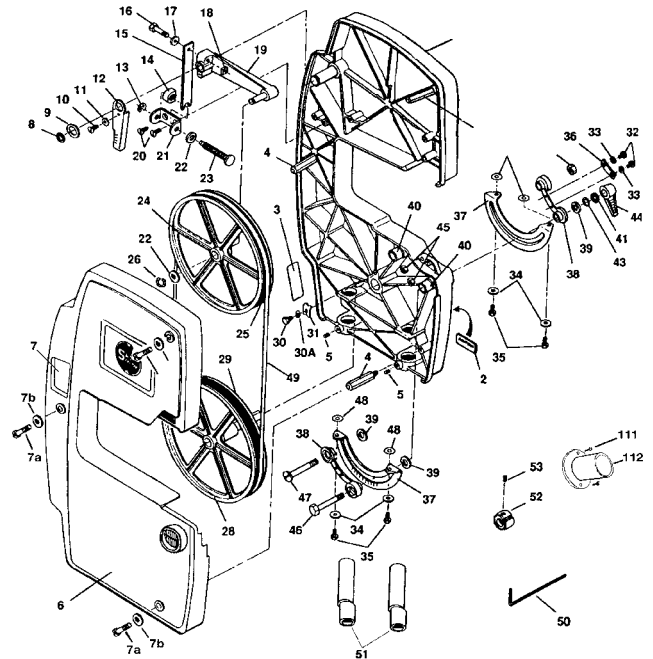
Ref. No.	Part No.	Description	Qty.	Price Each
—	<b>505625</b>	<b>Safety Grip Assembly (incl. 252-267)</b>		\$47.23
252	450213	Tapping Screw	1	0.80
253	450219	Tapping Screw	1	0.80
254	450217	Tapping Screw	1	0.80
255	†	Right Grip	1	
256	†	Left Grip	1	
257	†	Trigger	1	
259	501467	Lever Spring	1	0.80
260	501464	Lever Lock	1	1.45
261	132066	Machine Screw	1	0.80
262	501466	Grip Stud	1	4.06
—	<b>555125</b>	<b>Quick Clamp Assembly (incl. 263-267)</b>		25.19
263	222458	Setscrew	1	0.80
264	†	Lock Guide	1	
265	†	Lock Clamp	1	
266	514310	Grip Knob	1	2.42
267	514464	Rod and Shoe Assembly	1	8.55
—	<b>505700</b>	<b>Miter Gauge Assembly (incl. 268-284)</b>		70.75
268	504268	Lock Knob	1	4.61
269	120392	Washer	2	0.80
270	514566	Glide	2	13.42
271	507367	Protractor	1	29.06
272	501407	Headless Stop Screw	3	0.80
273	436691	Pan Head Machine Screw	1	0.80
274	501616	Washer	1	0.80
275	501409	Vernier Plate	1	0.80
276	514424	Indicator Mount & Plunger Assembly	1	15.57
276A	†	Miter Stop Plunger	1	
277	504267	Special Washer	2	0.80
278	504266	Miter Stud	1	0.92
279	501401	Taper Screw	1	3.53
280	518104	Miter Gauge Bar	1	29.46
281	501635	Machine Screw	2	0.80
282	501639	Nylock Machine Screw	1	0.80
283	514376	Washer	1	2.27
284	514377	Screw	1	0.80

† Not available as a service part.

## Bandsaw

This Bandsaw Parts List and Exploded Views supplements Bandsaw instruction manual (845539). Also included optional accessories: Bandsaw Fence and Bandsaw Table Extension.

### Part Numbers 1-53, 111, 112



Ref. No.	Part No.	Description	Qty.	Price Each
<b>FRAME AND COVER</b>				
1	502542	Main Frame Assembly	1	\$207.69
2	514525	Label	1	1.43
3	†	Date Code Label	1	
4	522088	Hex Stud	3	3.03
5	102582	Allen Setscrew, 5/16"-18	2	0.80
6	522221	Cover and Decal	1	61.27
7	522217	Plastic Shield	1	5.05
7A	516027	Screw, Button Head	3	0.80
7B	522087	Washer	3	0.80
<b>BLADE TENSIONING ASSEMBLY</b>				
8	501626	Retaining Ring	1	0.80
9	502700	Thrust Washer	1	0.80
10	436732	Panhead Screw, 10-24 x 1/2"	1	0.80
11	501470	Washer, 7/32"	1	0.80
12	502690	Tension Indicator Scale	1	3.36
13	502686	Retaining Ring	1	0.80
14	5027029	Blade Tension Nut	1	7.52
15	502701	Tension Spring	1	6.23
16	122040	Hex Bolt, 5/16"-18 x 1-1/2"	1	0.80
17	120393	Washer, 5/16"	1	0.80
18	120373	Square Nut, 5/16"	1	0.80
19	517640	Upper Wheel Arm and Axle	1	15.22
20	114663	Flathead Screw, 5/16"-18 x 3/4"	2	0.80
21	502685	Bracket	1	6.74
22	502704	Fiber Washer	2	0.80
23	502703	Left-hand Special Screw	1	8.15

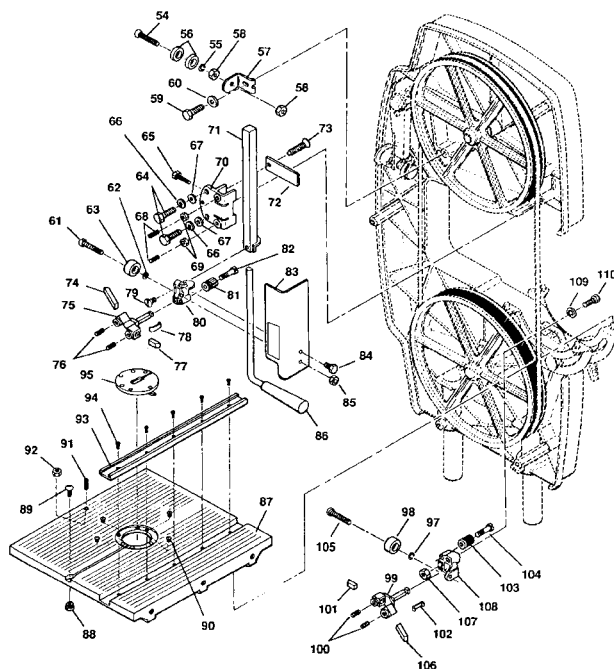
(Continued on next page)

# BANDSAW

Ref. No.	Part No.	Description	Qty.	Price Each
<b>UPPER WHEEL</b>				
—	<b>502691</b>	<b>Upper Wheel Assembly (incl. 24, 25)</b>		\$79.56
26	517642	Retaining Ring	1	0.80
<b>LOWER WHEEL</b>				
—	<b>509032</b>	<b>Lower Wheel Assembly (incl. 28, 29)</b>		107.20
30	120834	Hex Bolt, 5/16"-18 x 1/2"	1	0.80
30A	120214	Washer	1	0.80
31	502726	Bearing Retainer	1	1.46
<b>TABLE TRUNNIONS</b>				
32	517635	Pan Head Screw, 10-24	2	0.80
33	501470	Washer, 7/32"	2	0.80
34	120393	Washer, 5/16"	4	0.80
35	426367	Hex Bolt, 5/16"-18 x 1/2"	4	0.80
36	502667	Tilt Indicator Scale	1	0.84
37	502675	Trunnion	2	8.08
38	515013	Trunnion Support	2	3.33
39	502676	Washer, 19/32"	3	0.80
40	517021	Bushing	2	4.16
41	120394	Washer, 3/8"	1	0.80
42	517084	Stop Nut, 3/8"-24	1	1.87
43	502699	Thrust Washer	1	0.80
44	513061	Tilt Lock Assembly	1	16.25
45	274737	Hex Nut, 10-24	2	0.80
46	516438	Table Clamp Bolt, 3/8"-24 x 3"	1	0.93
47	517085	Screw	1	2.08
48	514053	Thin Shim Washer	4	0.80
<b>MISCELLANEOUS</b>				
50	51368601	Allen Wrench, 5/32"	1	1.74
51	5137779	Eccentric Mounting Tube	2	17.72
52	5035769	Drive Hub	1	2.58
53	222458	Setscrew	1	0.80

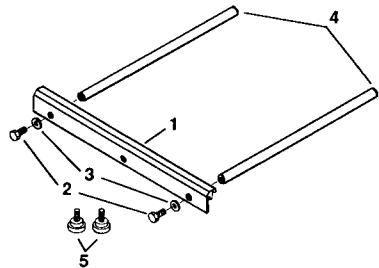
Ref. No.	Part No.	Description	Qty.	Price Each
<b>AUTO-TRACK BLADE GUIDE</b>				
54	514008	Shoulder Screw	1	\$2.49
55	120380	Lock Washer	1	0.80
56	514011	Auto-Track Roller Bearing	2	5.93
57	502682	Mounting Bracket	1	2.08
58	120375	Hex Nut, 1/4"-20	2	0.80
59	426367	Hex Bolt, 5/16"-18 x 3/4"	1	0.80
60	120214	Lock Washer, 5/16"	1	0.80
<b>UPPER BLADE GUIDE AND GUARD</b>				
61	514008	Shoulder Screw	1	2.49
62	120380	Lock Washer	1	0.80
63	514007	Roller Bearing	1	12.18
64	122017	Hex Bolt, 5/16"-18 x 3/4"	2	0.80
65	517908	Nylon Bolt	1	0.80
66	120214	Lock Washer, 5/16"	2	0.80
67	120393	Washer, 3/16"	2	0.80
68	502552	Headless Slot Setscrew, 5/16"	2	0.80
69	124824	Jam Nut, 5/16"	2	0.80
70	5025499	Guide Column Bracket	1	12.03
71	5025549	Blade Guide Column Post	1	11.77
72	502550	Guide Lock Spring	1	4.22
73	515412	Special Screw, 5/16"-18 x 1-3/8"	1	3.05
74	502657	Upper Long Guide Block	1	5.10
75	5025779	Guide Block Bracket	1	6.53
76	222458	Allen Setscrew, 5/16"-18 x 1/4"	2	0.80
77	502656	Short Guide Block	1	3.00
78	502575	Guide Block Spring	1	0.80
79	501637	Flathead Screw, 1/4"-20 x 1/2"	1	0.80
80	5025589	Upper Guide Bracket	1	8.53
81	502574	Guide Adjusting Knob	1	2.39
82	502659	Fillister Head Screw, 10-24 x 1-1/4"	1	1.48
83	522223	Blade Guard (incl. 83a)	1	14.75
83A	522216	Blade Guard Label	1	1.93
84	120706	Hex Bolt, 1/4"-20 x 1/2"	1	0.80
85	124818	Jam Nut, 1/4"-20	1	0.80
86	502555	Height Lock Handle Assembly	1	9.88
<b>TABLE</b>				
87	516113	Bandsaw Table	1	106.48
88	503782	Knurled Nut	1	4.04
89	126315	Carriage Bolt	1	0.80
90	515954	Flat Head Leveling Screws	4	0.80
91	516571	Socket Head Screw, 5/16"-18 x 1"	1	2.33
92	124824	Hex Nut	1	0.80
93	516165	T-Slot Extrusion	1	16.21
94	516043	Flat Head Leveling Screw	5	0.80
95	516173	Table Insert Assembly	1	12.52
96	516029	#0 Phillips Head Screwdriver	1	2.66
<b>LOWER BLADE GUIDE</b>				
97	120380	Lock Washer	1	0.80
98	514007	Roller Bearing	1	12.18
99	5025779	Guide Block Bracket	1	6.53
100	222458	Allen Setscrew, 5/16"-18 x 1/4"	2	0.80
101	502656	Short Guide Block	1	3.00
102	502575	Guide Block Spring	1	0.80
103	502574	Guide Adjusting Knob	1	2.39
104	502659	Fillister Head Screw, 10-24 x 1-1/4"	1	1.10
105	514008	Shoulder Screw	1	2.49
106	502666	Lower Long Guide Block	1	5.40
107	102634	Hex Nut, 5/16"-18	1	0.80
108	5025809	Lower Guide Bracket	1	8.45
109	120214	Lock Washer, 5/16"	1	0.80
110	122017	Hex Bolt, 5/16"-18 x 1"	1	0.80
—	<b>522251</b>	<b>Power Coupler Cover (incl. 111-112)</b>	1	6.50
111	448027	Screw	2	0.80
112	522219	Power Shaft Cover	1	6.48

## Part Numbers 54-110



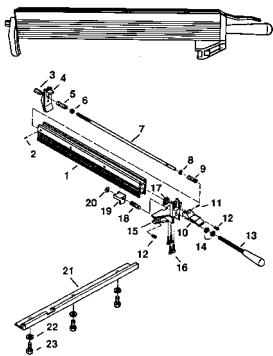
# BANDSAW

## Table Extension Parts List (555488) (Optional)



Ref. No.	Part No.	Description	Qty.	Price Each
—	<b>555488</b>	<b>Bandsaw Table Extension</b>		\$25.77
1	501378	Extension Bar	1	12.47
2	120706	Hex Head Bolt, 7/16"	2	0.80
3	120392	Flat Washer	2	0.80
4	516153	Rod	2	7.64
5	515859	Knob	2	1.09

## Bandsaw Fence Parts List (555645) (Optional)

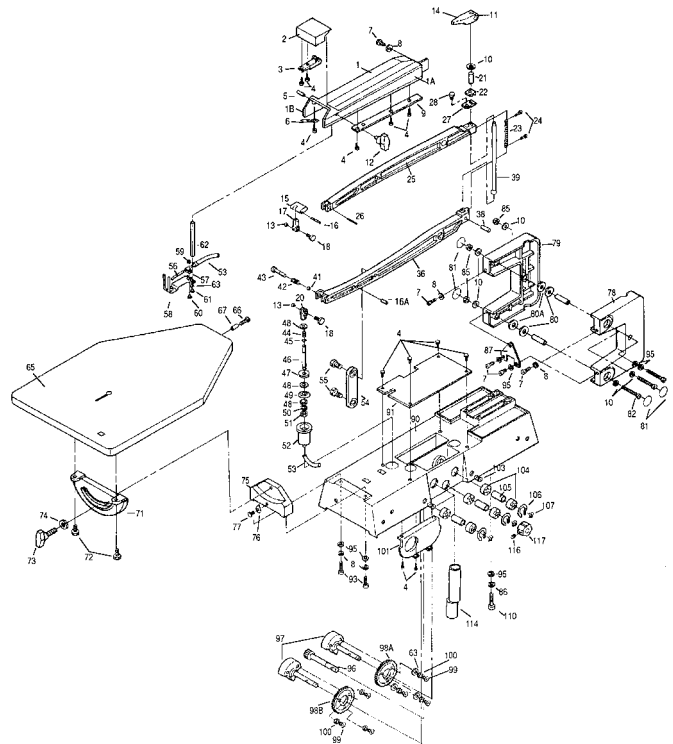


Ref. No.	Part No.	Description	Qty.	Price Each
—	<b>555645</b>	<b>Bandsaw Fence</b>	1	\$95.86
1	518012	Rip Fence Extrusion	1	41.96
2	518005	Roll Pin	1	0.80
3	514392	Special Hex Nut, 5/16"-18	1	2.03
4	518013	Rear Clamp	1	6.65
5	514463	Spring	1	0.80
6	102634	Hex Nut, 5/16"-18	1	0.80
7	†	Lock Rod	1	
8	514407	Retaining Ring	1	0.80
9	514353	Spring	1	0.80
10	514257	Rear Clamp Lever	1	11.79
11	514527	Roll Pin	1	0.80
12	102388	Setscrew	2	0.80
13	518016	Handle	1	8.63
14	513792	Flat Washer	2	0.80
15	518018	Fence Base	1	15.36
16	518017	Socket Head Screw, 10-24 x 1"	4	1.64
17	514317	Wear Plate	1	1.04
18	514463	Spring	1	0.80
19	518011	Front Fence Lock	1	2.85
20	518019	Hex Nut	1	2.39
21	516687	Bar	1	17.28
22	120393	Flat Washer	3	0.80
23	120834	Hex Head Bolt	3	0.80

† Not available as a service part.

# SCROLL SAW

## MARK V Mount



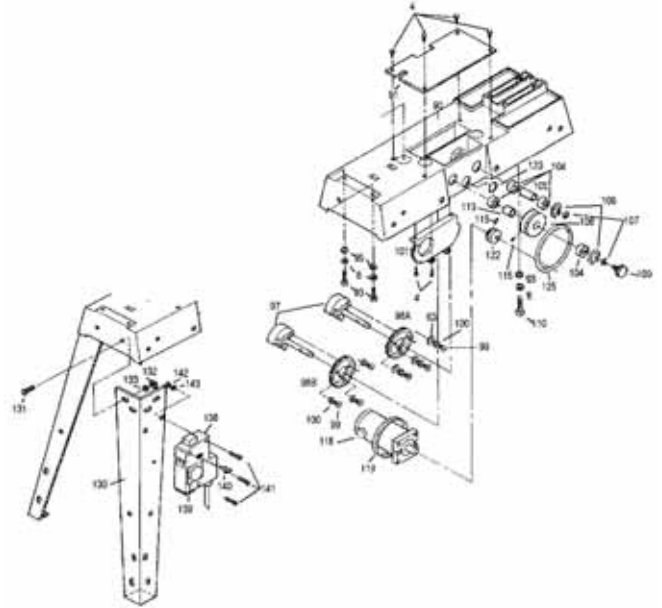
Ref. No.	Part No.	Description	Qty.	Price Each
1	518271	Upper Arm Cover	1	\$58.26
1A	518248	Label - RH	1	7.90
1B	518249	Label - LH	1	7.90
2	518163	Hood	1	3.16
3	515165	Bracket	1	3.84
4	515120	Screw, #10-24 x 3/8"	14	0.80
5	506721	Metal Dowel Pin	1	0.80
6	515166	Spring	1	0.80
7	186923	Socket Head Cap Screw, 1/4"-20 x 5/8"	6	0.80
8	120380	Lock Washer, 1/4"	9	0.80
9	514965	Tubing Cover	1	4.55
10	518177	Flat Washer	5	0.80
11	518159	Barrel Nut	1	4.29
12	518047	Lock Knob	1	2.49
13	518155	Setscrew	2	0.80
14	518127	Lever	1	3.27
15	518178	Quick Release Lever	1	2.26
16	455862	Rollpin, 1/8" x 7/8"	1	0.80
16A	455734	Rollpin, 1/8" x 3/4"	1	0.80
17	518154	Upper Blade Block	1	1.71
18	518345	Thumbscrew	2	4.44
—	<b>518156</b>	<b>Special Screw, 1/4"-20 x 3/4"</b>	2	4.23
20	518223	Lower Blade Block	1	2.91
21	518160	Spacer	1	3.00
22	514974	Upper Rocker	1	12.94
23	514980	Spring	1	0.93
24	514040	Button Head Screw, #10-24 x 5/16"	2	0.80
25	518266	Upper Arm w/Shaft	1	35.89
26	518179	Rollpin	1	0.80

(Continued on next page)



# SCROLL SAW

## Stand Mount



Ref. No.	Part No.	Description	Qty.	Price Each
27	514975	Lower Rocker	1	\$2.96
28	514236	Button Head Cap Screw, 1/4"-20 x 5/8"	1	0.80
36	518265	Lower Arm w/Shaft	1	41.99
38	513732	Rollpin, 3/16" x 7/8"	1	0.80
39	518111	Tensioning Rod	1	11.87
41	514411	Retaining Ring	1	0.80
42	514979	Spring	1	0.80
43	514978	Lock Pin	1	3.74
44	514353	Spring	1	0.80
45	514407	Retaining Ring	1	0.80
46	515072	Pump Rod	1	8.96
47	515178	Tube Seal	1	1.10
48	515119	Special Washer	3	4.64
49	502239	Pump Seal	1	16.03
50	514053	Flat Washer	1	0.80
51	515299	Lock Nut	1	0.80
52	515073	Pump Housing	1	4.28
53	515105	Tubing	1	4.18
54	514967	Link Assembly	1	24.87
55	514973	Link Bolt	2	3.74
56	518165	Puffer Tube	1	8.75
57	518243	Nylon Clamp	1	0.80
58	518125	Hold Down / Guard	1	8.69
59	513897	Nut, #10-32	1	0.80
60	517978	Screw, #10-32 x 3/8"	1	0.80
61	517982	Screw, #10-24 x 1/2"	7	0.80
62	518094	Post	1	7.64
63	120391	Washer	4	0.80
65	518338	Table	1	176.50
66	518153	Screw, #10-32 x 1"	1	0.80
67	518152	Spacer	1	0.80
71	518274	Table Trunnion	1	24.29
72	515127	Screw, 1/4"-20 x 3/4"	2	0.80
73	518431	Table Lock Knob	1	13.68
74	518009	Flat Washer	1	0.80
75	518273	Base Trunnion	1	22.61
76	502885	Table Tilt Indicator	1	1.83
77	513623	Screw, #6-32 x 5/16"	1	0.80
78	†	Frame Assembly, RH	1	
79	†	Frame Assembly, LH	1	
80	518175	Washer	2	0.80
80A	518176	Washer	2	1.50
81	516232	Logo Label	4	1.49
82	518141	Screw, 1/4"-20 x 2-1/2"	3	0.80
85	513885	Jam Nut, 1/4"-20	3	0.80
87	518102	Rear Cradle	1	3.92
90	518188	Base	1	263.85
91	514992	Base Plate	1	13.76
93	513201	Screw, 1/4"-20 x 3/4"	2	0.80
95	120392	Flat Washer	10	0.80
96	515071	(MKV) Drive Pinion	1	23.81
97	518360	Weight and Shaft	2	35.82
98A	518172	Gear	1	3.00
98B	515089	Gear	1	3.03
99	517982	Screw	7	0.80
100	502973	Split Lock Washer	6	0.80
101	515118	Gear Cover	1	6.91

† Not available as a service part.



### TECHNICAL ASSISTANCE

If you cannot find the service part you need, please call our Technical Hotline 1-800-762-7555.

Ref. No.	Part No.	Description	Qty.	Price Each
103	222460	(MKV) Base Setscrew	2	\$0.80
104	515133	(MKV) Ball Bearing	6	11.76
104	515133	(MTZD) Ball Bearing	4	11.76
105	515135	(MTZD) Ball Bearing Spacer	1	1.11
105	515135	(MKV) Ball Bearing Spacer	3	1.11
106	518169	(MTZD) Retaining Ring	2	0.80
106	518169	(MKV) Retaining Ring	3	0.80
107	518170	(MTZD) Retaining Ring	2	0.80
107	518170	(MKV) Retaining Ring	3	0.80
108	518168	(MTZD) Driven Pulley	1	56.72
109	514642	(MTZD) Knob	1	1.63
110	515140	Screw, 1/4"-20 x 1-3/4"	4	0.80
113	515204	(MTZD) Pulley Spacer	1	3.12
114	5137779	(MKV) Eccentric Tube	2	17.72
115	515587	(MTZD) Setscrew	1	1.24
116	222458	(MKV) Setscrew	1	0.80
117	503572	(MKV) Accessory Hub	1	3.05
118	515098	(MTZD) Motor	1	407.81
119	†	Motor Clamp	1	
122	518228	(MTZD) Drive Pulley	1	26.80
123	515264	(MTZD) Plug	2	0.80
125	518166	(MTZD) O-Ring Belt	1	2.44
130	518240	(MTZD) Leg	4	38.06
131	518114	(MTZD) Screw, 1/4"-20 x 5/8"	12	0.80
132	120372	(MTZD) Square Nut, 1/4"-20	12	0.80
133	115546	(MTZD) Internal Tooth Washer	12	0.80
138	514736	(MTZD) Speed Control Box	1	324.53
139	514191	(MTZD) Speed Control Decal	1	2.28
140	513411	(MTZD) Safety Key	1	4.52
141	513760	(MTZD) Screw, #10-32 x 1-3/4"	3	0.80
142	513897	(MTZD) Nut, #10-32	3	0.80
143	502973	(MTZD) Split Lock Washer	3	0.80

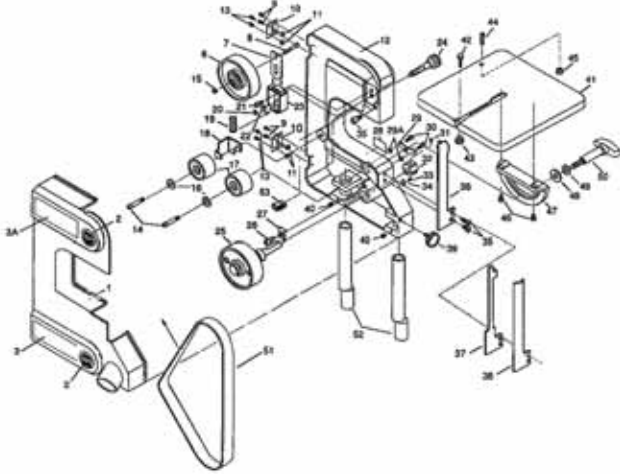
† Not available as a service part.

### Important Note

(MK V) – Mark V Mount Scroll Saw ONLY  
(MTZD) – Stand Mount Motorized Scroll Saw ONLY

# STRIP SANDER

## Strip Sander



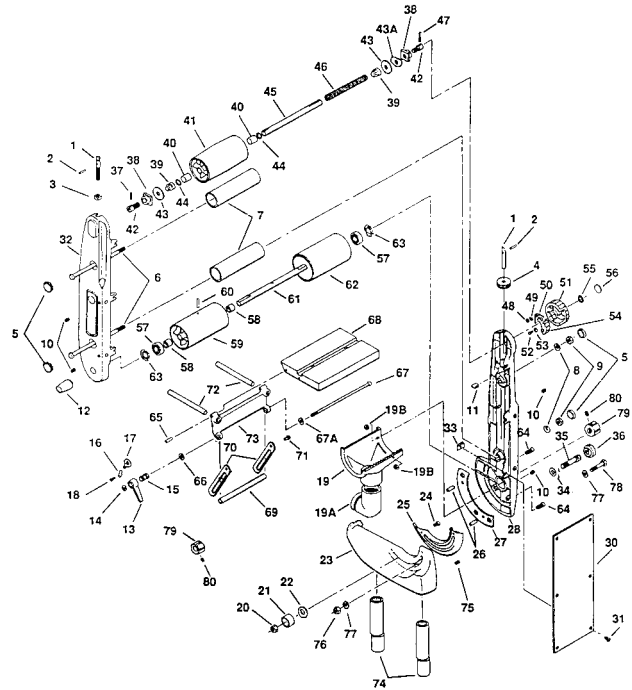
Ref. No.	Part No.	Description	Qty.	Price Each
1	518377	Cover (Incl. 3)	1	\$23.73
2	516232	Logo	2	1.49
3	516825	Warning Label	1	2.21
3A	516826	Label	1	6.30
6	516421	Tracking Wheel & Shaft Assembly	1	36.55
7	515403	Wheel Plate	1	10.67
8	126335	Carriage Bolt, 1/4"-20 x 1-1/2"	1	0.80
9	514040	Pan Head Screw, 10-24 x 5/16"	4	0.80
10	515399	Hinge	2	8.39
11	274737	Hex Nut, 10-24	4	0.80
12	515382	Frame	1	74.53
13	515610	Pan Head Screw, 10-32 x 3/8"	4	0.80
<b>Note: Items 11 and 13 are used to bolt item 1 to item 10.</b>				
14	515805	Socket Head Cap Screw, 1/4"-20 x 1	2	2.58
15	514204	Hex Nut, 1/4"-20	1	0.80
16	518122	Nylon Washers	2	0.80
17	516399	Idler Wheel	2	13.90
18	515423	Idler Wheel Guard	1	3.00
19	515417	Spring	1	0.95
20	515401	External Retaining Ring	1	0.80
21	513971	Socket Head Cap Screw, 1/4"-20 x 1/2"	1	0.80
22	504267	Flat Washer, 5/8"	1	0.80
23	515402	Wheel Bracket	1	5.64
24	515427	Tracking Control Knob	1	12.24
25	515392	Drive Wheel and Bearing Assembly	1	53.49
26	513809	Socket Head Cap Screw, 5/16"-18 x 5/8"	1	0.80
27	502726	Clamp	1	1.46
28	515309	Nameplate Label	1	0.80
29	515408	Trunnion Guide	1	5.15
29A	514985	Spacer	2	3.87
30	513201	Button Head Screw, 1/4"-20 x 3/4"	2	0.80
31	222458	Setscrew, 5/16"-18 x 3/4"	1	0.80
32	5035769	Drive Hub	1	2.58
33	513623	Pan Head Screw, 6-32 x 5/16"	1	0.80
34	502885	Indicator	1	1.83
35	517829	Button Head Screw, 1/4"-20 x 1/2"	3	0.80
36	515395	Platen, 1"	1	11.14
37	515397	Platen, 1/2"	1	11.14
38	515396	Curved Platen, 1/2"	1	24.97
39	514642	Cover Lock Knob	1	1.63

Ref. No.	Part No.	Description	Qty.	Price Each
40	222460	Setscrew, 5/16"-18 x 3/8"	2	\$0.80
41	515380	Table	1	33.21
42	126315	Carriage Bolt, 1/4"-20 x 1"	1	0.80
43	503782	Knurled Nut	1	4.04
44	514746	Setscrew, 5/16"-18 x 1"	1	0.92
45	102634	Hex Nut, 5/16"-18	1	0.80
46	517829	Button Head Screw, 1/4"-20 x 1/2"	2	0.80
47	515418	Trunnion	1	11.76
48	514490	Flat Washer, 1-1/8"	1	0.80
49	513739	Flat Washer, 3/4"	1	0.80
50	515394	Table Lock Knob	1	23.77
52	5137769	Eccentric Mounting Tubes	2	10.88
53	515568	S Clip	1	1.52

# BELT SANDER

## Belt Sander

Parts List and Exploded View updates the 6" Belt Sander



Ref. No.	Part No.	Description	Qty.	Price Each
<b>MAIN ASSEMBLY</b>				
—	<b>502955</b>	<b>Tracking Screw Assembly (incl. 1, 2)</b>		<b>\$8.33</b>
1	†	Tracking Screw	2	
2	†	Rollpin, 5/32" x 11/16"	2	
3	502958	Stop Nut	1	6.23
4	502957	Tracking Knob	1	19.88
5	432324	Button Plug	4	1.89
6	502960	Tie Bolt	2	1.54
7	502959	Spacer Tube	2	17.85
8	120382	Spring Lock, Washer, 3/8"	2	0.80
9	120377	Hex Nut, 3/8"-16	2	0.80
10	222460	Setscrew, 5/16"-18 x 3/8"	4	0.80

(Continued on next page)

# BELT SANDER

Ref. No.	Part No.	Description	Qty.	Price Each
11	503024	Tinnerman Clip	4	\$0.80
12	5030049	Shaft Cap	1	4.34
—	<b>513061</b>	<b>Table Tilt Assembly (incl. 13-15)</b>		16.25
13	†	Table Tilt Lock	1	
14	†	Retaining Ring	1	
15	†	Locknut	1	
16	502999	Indicator	1	5.82
17	502998	Indicator Washer	1	3.43
18	448309	Self-Tapping Screw, #8-32 x 1/4"	1	0.80
19	51485402	Dust Chute	1	8.87
19A	514521	Elbow, 2-1/2" Diameter	1	7.39
19B	124818	Hex Jam Nut, 1/4"-20	2	0.80
20	502698	Trunnion Nut, 3/8"-24	1	0.80
21	502988	Cup	1	1.96
22	120388	Flat Washer, 3/8"	1	0.80
—	<b>503402</b>	<b>Base Assembly (incl. 23-25)</b>		51.78
23	†	Base Casting	1	
24	†	Drive Stud	2	
25	†	Trunnion Guide	1	
—	<b>515565</b>	<b>Inner Frame Assembly (incl. 26-28)</b>		73.51
26	†	Rollpin, 1/4" x 5/8"	2	
27	†	Trunnion	1	
28	†	Right Frame Side	1	
30	5029639	Backup Plate	1	28.27
31	514050	Slotted Flathead Screw	6	0.80
32	51553801	Left Outer Frame	1	53.38
33	445446	Tinnerman Clip	6	1.46
34	502985	Trunnion Washer	1	0.88
35	502974	Trunnion Stud	1	11.57
36	502989	Trunnion Lock	1	14.57
—	<b>502934</b>	<b>Idler Drum Assembly (incl. 37-47)</b>		105.69
37	513732	Split Pin, 3/16" x 7/8"	1	0.80
38	502945	Guide Bushing	2	7.14
39	†	Tension Cam	2	
40	†	Bearing	2	
41	†	Idler Drum	1	
42	†	Spring Plug	2	
43	504553	Washer, 5/8"	2	0.93
43A	515619	Curved Washer	1	1.95
44	502937	Thrust Washer	2	0.80
45	†	Idler Shaft	1	
46	†	Torsion Spring	1	
47	†	Rollpin	1	
—	<b>502874</b>	<b>Tension Knob Assembly (incl. 48-54)</b>		15.62
48	†	Retaining Ring	1	
49	†	Lock Washer	1	
50	†	Latch Spring	1	
51	†	Tension Knob	1	
52	†	Drive Screw	1	
53	†	Washer, 1/8"	1	
54	†	Knob Latch	1	
55	501027	Retaining Ring	1	0.80
56	502923	Medallion	1	0.80
—	<b>502789</b>	<b>Drive Drum Assembly (incl. 57-62)</b>		107.01
57	†	Ball Bearing	2	
58	†	Bushing	2	
59	†	Drive Drum	1	
60	†	Rollpin	1	
61	†	Drive Shaft	1	

Ref. No.	Part No.	Description	Qty.	Price Each
62	†	Drive Sleeve	1	
63	502961	Finger Washer	2	\$1.52
64	513191	Socket Head Cap Screw, 1/4"-20 x 1"	2	0.80
—	<b>503406</b>	<b>Table Assembly (incl. 65-71)</b>		158.65
65	†	Rollpin, 1/4" x 7/8"	2	
66	120388	Flat Washer, 3/8"	1	0.80
67	518307	Table Lock Bolt	1	2.82
67A	502318	Special Washer	1	2.98
68	†	Table	1	
69	502992	Support Spacer	1	7.28
70	†	Tilt Slide	2	
71	†	Drive Stud	2	
—	<b>503407</b>	<b>Support Assembly (incl. 72, 73)</b>		49.84
72	†	Mounting Rod	2	
73	†	Table Support	1	
—		<b>MISCELLANEOUS</b>		
74	5137779	Eccentric Mounting Tube	2	17.72
75	115321	Setscrew, 5/16"-18 x 5/16"	2	0.80
76	120377	Hex Nut, 3/8"-16	1	0.80
77	120394	Washer, 3/8"	2	0.80
78	122181	Hex Head Cap Screw, 3/8"-16 x 2"	1	0.80
79	5035769	Drive Hub	1	2.58
80	222458	Setscrew	1	0.80
—	<b>51368601</b>	<b>Allen Wrench, 5/32"</b>	1	1.74

† Not available as a service part.

## Tips & Techniques

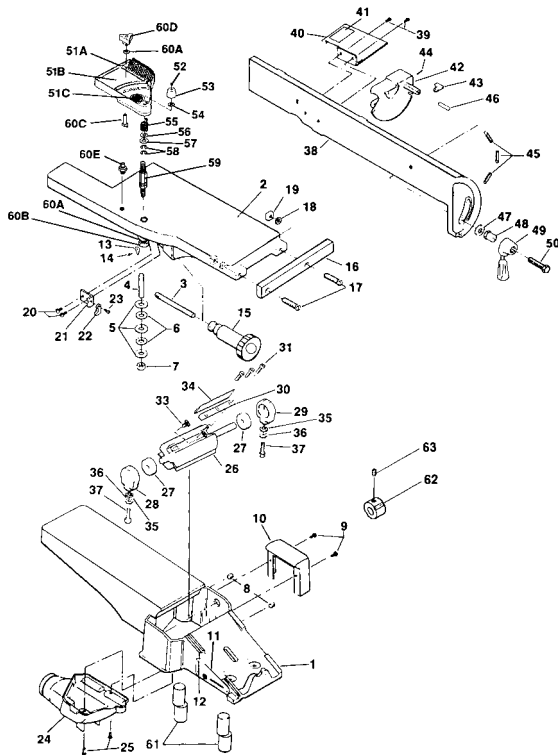
- For the safety and well-being of the built-in motor, it is always preferable to have the MARK V connected to an independent line without an extension cord. If it is necessary in your situation to use an extension cord, it must be of heavy enough gauge cord to provide the proper current. For extension cords up to 20 feet, use no less than a 14-gauge, three-conductor cord. For 20-100 feet, use no less than a 10-gauge, three-conductor extension cord.
- Please remember that the cord and plug should be replaced immediately if they become damaged.

**No matter how long you've owned your MARK V, it needs a little tender care after every 10 hours of operation. This will guarantee trouble-free wood-working year after year:**

- Run your MARK V up to high speed, turn off and unplug it. Remove the screws holding the belt cover and slide it away from the headstock. Also, remove the nameplate with a screwdriver (this plate can't be removed on 1953 and 1954 models – drop the motor instead).
- Clean the sawdust out of the headstock with an air compressor, vacuum cleaner or tire pump. Check the belts for wear, then lubricate the motor shaft and sheave with two drops of 3-in-1 oil.

# JOINTER

## Jointer



Ref. No.	Part No.	Description	Qty.	Price Each
—	<b>516181</b>	<b>MAIN JOINTER ASSEMBLY</b> Base and table assembly (incl. 1-7)		\$218.18
3	502883	Depth-Of-Cut Adjustment Shaft	1	1.79
4	502884	Table Mount Stud	1	0.80
5	120388	3/8" Flat Washer	3	0.80
6	502920	Spring Washer	2	0.80
7	120377	3/8"-16 Hex Nut	1	0.80
8	222460	5/16"-18 x 3/8" Allen Setscrew	2	0.80
9	514057	Phillips Pan Head Screw, 10-24	2	0.80
10	513918	Drive Shaft Guard	1	12.12
11	516225	Depth-Of-Cut-Scale	1	1.13
12	145372	Drive Screw, #4 x 1/4"	3	0.80
13	502885	Depth-Of-Cut Pointer	1	1.83
14	513623	Pan Head Screw, #6-32 x 5/16"	1	0.80
15	502964	Depth-Of-Cut Adjustment Knob	1	20.54
16	5028869	Fence Mounting Bar	1	15.38
17	132277	Fillister Head Cap Screw, 1/4"-20 x 1"	1	0.80
18	120380	Lock Washer, 1/4"	2	0.80
19	120372	Square Nut, 1/4"-20	2	0.80
20	514057	Slotted Screw, #10-32	2	0.80
21	514072	Support Bracket (Incl. 22 & 23)	1	19.82
22	†	Infeed Stop	1	
23	513913	Shoulder Screw	1	1.55
24	513944	Chip Chute Assembly	1	6.62
25	160515	Slotted Screw, 1/4"-20 x 7/8"	2	0.80
—	<b>517363</b>	<b>Cutter Head Assembly</b> (incl. 26-34)		172.60
26	†	Cutter Head	1	
27	502898	Ball Bearing	2	9.48
28 & 29	5029059	Bearing Housing (used both sides)	2	54.11

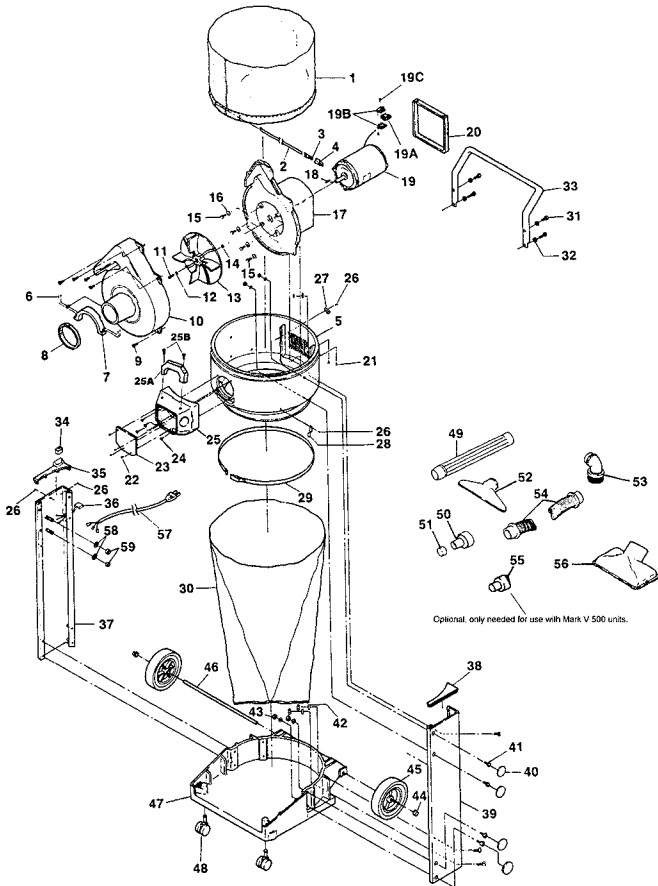
Ref. No.	Part No.	Description	Qty.	Price Each
30	521945	Wedge	3	\$15.03
31	147118	Hex Socket Cap Screw, #10-32 x 3/4"	9	0.80
33	502899	Knife Leveling Screw	6	0.80
34	505640	Knives (set of 3)	1	40.60
35	120392	Flat Washer, 9/32"	2	0.80
36	502930	Lock Washer, 1/4"	2	0.80
37	454479	Hex Head Cap Screw, 1/4"-20 x 1"	2	0.80
—	<b>513947</b>	<b>FENCE</b>		
—	<b>513947</b>	<b>Fence Assembly (incl. 38-50)</b>		152.14
38	522252	Fence	1	70.86
39	514040	Phillips Pan Head Screw, #10-24 x 5/16"	2	0.80
40	513948	Guard	1	18.83
41	†	Label	1	
—	<b>502651</b>	<b>Quadrant Assembly (incl. 42-44)</b>		43.32
43	502889	Stop-Tab	1	1.60
44	513734	Rollpin, 1/8" x 5/8"	1	0.80
45	501407	Auto-Stop (Nylock setscrew)	3	0.80
46	506721	Dowel Pin, 1/4" x 7/8"	1	0.80
47	516077	Flat Washer, 1/2"	1	0.80
48	502895	Guide Bushing	1	4.66
49	502890	Handle & Hub Assembly	1	15.28
50	506720	Sleeve Screw	1	1.49
—	555480	Featherguard Retro		46.77
—	†	<b>Featherguard Assembly</b>		
51A	†	Guard	1	
51B	†	Warning Label	1	
51C	516232	Logo	1	1.49
52	51398901	Adjuster Screw, 1/4"-20 x 1/4"	1	0.80
53	516401	Knob	1	2.43
54	515847	Thrust Washer	1	0.80
55	514196	Spring	1	3.36
56	502909	Torque Washer	1	1.60
57	514273	Washer, 1/2"	1	0.80
58	514049	Retaining Ring	2	0.80
59	514272	Threaded Stud	1	3.98
60A	120393	Washer, 11/32"	3	0.80
60B	513857	Hex Nut, 5/16"-18	1	0.80
60C	518492	Stop Pin	1	14.13
60D	516222	Stop Knob	1	1.22
60E	†	Stop Stud Assembly, 1/4"-28 Black	1	
—		<b>MISCELLANEOUS</b>		
61	5020809	Eccentric Mounting Tube	2	3.96
62	503572	Drive Hub	1	3.05
63	222458	Setscrew	1	0.80
—	<b>51368603</b>	<b>5/32" Allen Wrench</b>	1	0.80
—	<b>518220</b>	<b>Push Block</b>	2	16.76

† Not available as a service part.

**Shopsmith is dedicated to being your**  
**Lifetime Woodworking Partner**  
 Subscribe today to our  
**"Woodshop Tips"**  
 It's delivered to your email address. Don't miss out on  
 these exciting tips and techniques. Sign up today.  
[www.shopsmith.com](http://www.shopsmith.com)  
**It's Free!**

# DUST COLLECTOR

## Dust Collector



Ref. No.	Part No.	Description	Qty.	Price Each
1	514808	Filter Hood	1	\$35.20
—	<b>514809</b>	<b>Retaining Strap Assembly (Incl. 2-4)</b>	1	16.34
2	514856	Strap, Metal	1	7.86
3	514966	Rack	1	2.46
4	514855	Clamp	1	5.10
—	<b>515595</b>	<b>Main Housing Assembly (Incl. 5-29)</b>	1	614.31
5	515689	Main Housing w/Warning Label	1	92.54
6	515561	Self-Tapping Screw	4	0.80
7	515534	Support Bracket	1	7.27
—	<b>515596</b>	<b>Motor and Blower Assembly (Incl. 8-20)</b>	1	441.60
8	515549	Inlet Seal	1	1.04
9	515562	Self-Tapping Screw, 1/4"-20 x 3/4"	6	0.80
10	515533	Fan Housing	1	43.13
11	515112	Hex Head Cap Screw, 1/4"-20 x 1"	1	0.80
12	120392	Flat Washer, 3/8"	4	0.80
—	<b>515287</b>	<b>Fan Assembly (incl. 11-13)</b>	1	34.00
13	†	Fan	1	
14	515551	Spacer	1	1.62
15	513627	Hex Head Cap Screws, 3/8"-6 x 1	4	0.80
16	120388	Flat Washer	4	0.80
17	515535	Motor Housing	1	48.22
18	515248	Key, Square, 3/16"	1	0.80

Ref. No.	Part No.	Description	Qty.	Price Each
19	515690	Motor w/Plug	1	\$306.32
19A	515563	Connector	1	1.86
19B	515586	Strain Relief	1	5.00
19C	514881	Screw	2	0.80
20	515550	Motor Seal	1	1.32
21	515137	Self-Tapping Screw	2	0.80
22	514832	Self-Tapping Screw, #10-16 x 1/2"	4	0.80
23	514817	Cover Plate	1	5.76
24	515562	Self-Tapping Screw	4	0.80
25	51476702	3-Way Inlet	1	26.49
—	<b>521769</b>	<b>Handle Package (Incl. 25A-25B)</b>	1	15.87
25A	521761	Handle	1	15.19
25B	521762	Screw	2	0.80
26	515555	Self-Tapping Screw	6	0.80
27	515553	Cable Clip	1	0.80
28	515219	Bag Clip	3	0.80
29	518393	Retaining Strap Assembly	1	7.86
30	300006	Bag, Package of 6	1	10.97
31	514831	Hex Head Cap Screw, 1/4"-20 x 1-3/8"	4	0.80
32	120380	Spring Lock Washer, 1/4"	4	0.80
33	514896	Rear Handle	1	32.06
—	<b>522388</b>	<b>Switch Service Pack (incl. 34-34A)</b>	1	28.76
34	†	Switch	1	
34A	515107	Switch Key	1	2.67
35	515547	Leg Cap, Right	1	2.64
36	515552	Wiring Harness	1	6.74
36A	522323	Wire Cover	1	3.36
36B	515555	Self-Tapping Screw	1	0.80
37	515546	Right Leg	1	51.44
38	515554	Leg Cap, Left	1	1.90
39	515664	Left Leg	1	43.49
40	51481208	Snap-In Plug	8	0.80
41	515138	Truss Head Screw	14	0.80
42	120214	Lock Washer	14	0.80
43	102634	Nut, 5/16"-20	14	0.80
44	514807	Wheel Retainer	2	2.16
45	514806	Wheel	2	8.66
46	514755	Wheel Shaft	1	7.05
47	51478902	Base Pan	1	78.15
48	514805	Caster	2	3.36
—	<b>514890</b>	<b>Attachment Kit (Incl. 49-56)</b>	1	77.41
49	514825	Extension Wand	2	10.96
—	<b>514929</b>	<b>Inlet Pug Assembly (Incl. 50-51)</b>	2	4.69
50	514824	Inlet Plug	2	3.36
51	514928	Cap	2	0.80
52	514826	Floor Pickup	1	12.06
53	514828	Elbow Brush	1	17.45
54	300004	Hose	2	25.61
55	300007	Reducer (Optional-Only needed when used with MARK V Model 500)		4.61
56	514829	Utility Pickup	1	7.46
57	515670	Power Cord	1	17.20
58	515126	Star Washer	2	0.80
59	513897	Hex Nut, #10-32	2	0.80

† Not available as a service part.

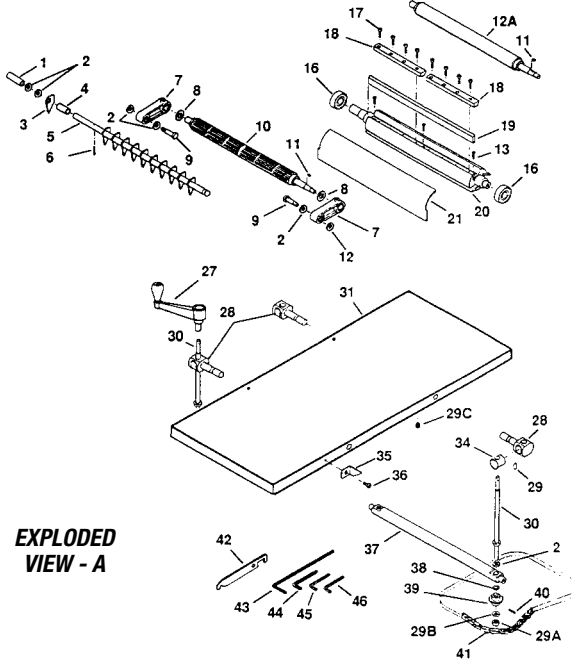


### TECHNICAL ASSISTANCE

If you cannot find the service part you need, please call our Technical Hotline 1-800-762-7555.

# MARK V MOUNT PLANNER

## 12" Thickness Planer MARK V Mount



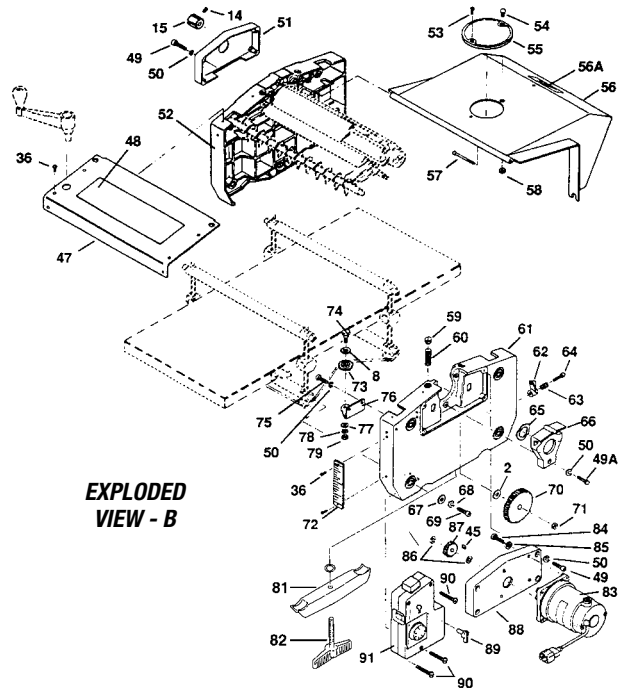
EXPLODED  
VIEW - A

Ref. No.	Part No.	Description	Qty.	Price Each
<b>ANTI-KICKBAK ASSEMBLY 2</b>				
1	513393	Long Tube Spacer	2	\$1.28
2	513794	Washer	2	0.80
3	513369	Anti-Kickback Wedge	11	0.80
4	513394	Short Tube Spacer	10	0.80
5	513395	Anti-Kickback Rod	1	12.33
6	513385	Cotter Pin	1	0.80
<b>FEED ROLLER ASSEMBLIES</b>				
2	513794	Washer	4	0.80
7	†	Pivot Arm	4	
8	†	Special Washer	8	
9	†	Pivot Screw	4	
10	555115	Infeed Roller	1	53.15
11	513391	Woodruff Key	2	0.80
12	†	Spacer Washer	4	
12A	514534	Outfeed Roller	1	52.08
—	<b>516075</b>	<b>Cutterhead Assembly (includes 13-21)</b>		<b>385.56</b>
13	502899	Knife Leveling Screw	9	0.80
14	502051	Setscrew	1	0.80
15	5035769	Drive Hub	1	2.58
16	†	Ball Bearing	2	
17	513406	Wedge Locking Screw	24	0.80
18	513363	Knife Wedge	6	3.20
19	505982	Knife (set of 3)	1	82.90
20	†	Cutterhead	1	
21	†	Chip Deflector	1	
<b>TABLE ASSEMBLY</b>				
2	†	Washer	8	
27	51413703	Thickness Adjustment	1	38.21
—	†	<b>Crank Assembly</b>	1	
28	514036	Table Connector	4	37.80
29	51399401	Setscrew	4	0.80
29A	513857	Prevailing Torque Nut	4	0.80

Ref. No.	Part No.	Description	Qty.	Price Each
29B	513794	Washer	4	\$0.80
29C	51398901	Setscrew	4	0.80
30	†	Table Mounting Post	4	
31	514039	Table	1	315.72
34	514037	Barrel Nut	4	9.16
35	513380	Thickness Pointer	1	6.80
36	513986	Screw, 10-32 x 3/8"	1	0.80
37	513730	Tie Bar with Bushings	4	38.01
38	†	Shim Washer	4	
39	†	Tension Adjustment Sprocket	4	
40	†	Roll Pin	4	
41	†	Chain	1	
<b>MISCELLANEOUS</b>				
42	513414	Knife Setting Gauge	1	5.82
43	51368601	5/32" Allen Wrench	1	1.75
44	51368604	3/16" Allen Wrench	1	1.75
45	51368607	1/8" Allen Wrench	1	1.75
46	51368605	3/32" Allen Wrench	1	1.75

† Not available as a service part.

## 12" Thickness Planer Main Assembly



EXPLODED  
VIEW - B

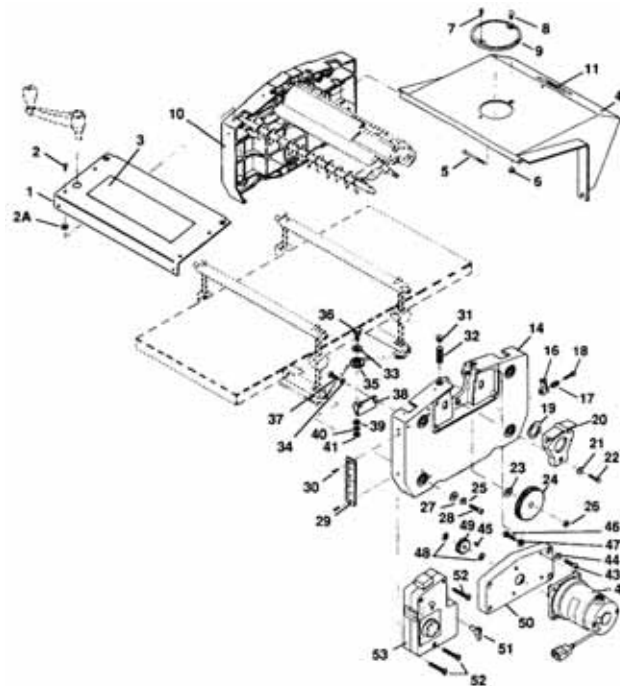
Ref. No.	Part No.	Description	Qty.	Price Each
<b>MAIN PLANER ASSEMBLY</b>				
2	513794	Washer	4	\$0.80
36	513986	Screw, 10-32 x 3/8"	8	0.80
47	513348	Infeed Shield	1	38.98
48	514207	Feed Rate Label	1	12.70
49	513191	Socket Hd. Cap Screw	4	0.80
49A	513386	Screw, 1/4"-20	6	5.22
50	120380	Lock Washer	6	0.80
51	51336001	Drive Hub Cover	1	18.39
52	†	Left End Frame	1	
53	513782	Screw, 8-32	1	0.80

(Continued on next page)

# PRO PLANER - STAND MOUNT

## Pro Planer - Main Assembly

This Parts Lists and Exploded Views supplement the Professional Planer Instruction Manual (845051). Not all parts are available separately as service parts and may be available only as part of an assembly. Consult Customer Service.



Ref. No.	Part No.	Description	Qty.	Price Each
54	449613	Special Stud	1	\$0.80
55	51372304	Sawdust Port Cover	1	30.56
56	518386	Outfeed Shield	1	31.67
56A	516540	Warning Label	1	4.80
57	513738	Screw, 10-24	2	5.22
58	513752	Retaining Ring	1	0.80
59	513376	Tension Screw	4	6.25
60	513389	Compression Spring	4	0.80
61	†	Right End Frame	1	
62	513720	Latch	2	3.03
63	513721	Spring	2	0.80
64	513722	Pivot Screw	2	3.00
65	†	Spring Washer	2	
66	†	Bearing Support	2	
67	513739	Space Washer	8	0.80
68	120214	Lock Washer	10	0.80
69	513795	Screw	8	0.80
70	513402	Feed Roller Gear	2	7.59
71	513857	Prevailing Torque Nut	2	0.80
72	513746	Thickness Scale	1	2.46
<b>CHAIN TENSIONER ASSEMBLY</b>				
8	513733	Special Washer	2	0.80
50	120380	Lock Washer	2	0.80
73	513381	Sprocket	1	1.71
74	513375	Idler Screw	1	4.80
75	513793	Tapping Screw	2	0.80
76	513368	Bracket	1	4.22
77	120392	Washer, 1/4"	1	0.80
78	115546	Lock Washer	1	0.80
79	120375	Nut, 1/4"-20	1	0.80
<b>FEED ASSEMBLY</b>				
45	513391	Woodruff Key	1	0.80
49	513191	Socket Hd. Cap Screw	4	0.80
50	120380	Lock Washer	4	0.80
81	51335601	Clamp	2	10.99
82	513743	Handle	2	6.82
83	514690	Feed Motor	1	472.37
84	513406	Screw	4	0.80
85	502973	Lock Washer	4	0.80
86	513735	Retaining Ring	2	0.80
87	513403	Feed Pinion	1	0.99
88	51341503	Gear Cover	1	14.14
89	513411	Safety Key	1	4.52
90	513760	Screw, 10-32	3	0.80
91	514736	Speed Control Box	1	364.53

† Not available as a service part.

### Tips & Techniques

- To make it easier to see the oil hole on the motor sheave, separate the spring loops, two turns from the sheave, with a screw driver. Turn the spindle until the hole in the control sheave can be seen and put two drops of oil in it. Replace the nameplate and the cover. We can't stress the importance of this service enough. Cleaning out the sawdust periodically will prevent your bearings from drying out. Oiling prevents damage to the speed changer. If you have trouble changing the speed, or your machine sounds a little noisy, its time to perform this maintenance.

Ref. No.	Part No.	Description	Qty.	Price Each
<b>MAIN PLANER ASSEMBLY</b>				
1	513348	Infeed Shield	1	\$38.98
2	513986	Screw, 10-32 x 3/8"	6	0.80
2A	502333	Flat Washer	2	0.80
3	514208	Feed Rate Label	1	6.54
4	518386	Outfeed Shield	1	31.67
5	513738	Screw, 10-24	2	1.56
6	513752	Retaining Ring	1	0.80
7	449613	Screw, 8-32	1	0.80
8	513751	Special Stud	1	6.25
9	51372304	Sawdust Port Cover	1	30.56
10	†	Left End Frame	1	
11	516540	Warning Label	1	4.80
14	†	Right End Frame	1	
16	513720	Latch	2	3.03
17	513721	Spring	2	0.80
18	513722	Pivot Screw	2	3.00
19	†	Spring Washer	2	
20	†	Bearing Support	2	
21	120380	Lock Washer	6	0.80
22	513386	Screw, 1/4"-20	6	1.22
23	513794	Washer	4	0.80
24	513402	Feed Roller Gear	2	7.59
25	120214	Lock Washer	10	0.80
26	513857	Prevailing Torque Nut	2	0.80
27	513739	Spacer Washer	8	0.80
28	513795	Screw	8	0.80
29	513746	Thickness Scale	1	2.46
30	513986	Screw, 10-32 x 3/8"	2	0.80
31	513376	Tension Screw	4	6.25

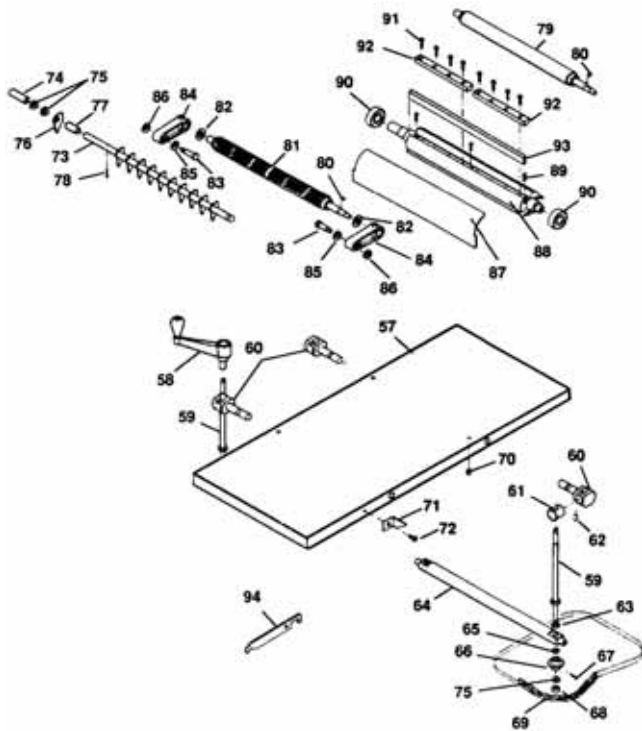
(Continued on next page)

# PRO PLANER - STAND MOUNT

Ref. No.	Part No.	Description	Qty.	Price Each
32	513389	Compression Spring	4	\$0.80
<b>CHAIN TENSIONER ASSEMBLY</b>				
33	513733	Special Washer	2	0.80
34	120380	Lock Washer	2	0.80
35	513381	Sprocket	1	1.71
36	513375	Idler Screw	1	2.80
37	513793	Tapping Screw	2	0.80
38	513368	Bracket	1	4.22
39	120392	Washer, 1/4"	1	0.80
40	115546	Lock Washer	1	0.80
41	120375	Nut, 1/4"-20	1	0.80
<b>FEED ASSEMBLY</b>				
42	514203	Feed Motor	1	448.93
43	513191	Screw, 1/4"-20	4	0.80
44	120380	Lock Washer	4	0.80
45	513391	Woodruff Key	1	0.80
46	513406	Screw	4	0.80
47	502973	Lock Washer	4	0.80
48	513735	Retaining Ring	2	0.80
49	513403	Feed Pinion	1	0.99
50	51341503	Gear Cover	1	14.14
51	513411	Safety Key	1	4.52
52	513760	Screw, 10-32	3	0.80
53	514736	Speed Control Box	1	343.53

† Not available as a service part.

## Table, Feed and Cutterhead Assembly



Ref. No.	Part No.	Description	Qty.	Price Each
<b>TABLE ASSEMBLY</b>				
57	†	Table	1	
58	51413703	Thickness Adjustment		\$38.21
	†	Crank Assembly	1	

Ref. No.	Part No.	Description	Qty.	Price Each
59	†	Table Mounting Post	4	
60	514036	Table Connector	4	\$37.80
61	514037	Barrel Nut	4	7.16
62	51399401	Setscrew	4	0.80
63	†	Washer	8	
64	513730	Tie Bar with Bushings	4	38.01
65	†	Shim Washer	4	
66	†	Tension Adjustment Sprocket	4	
67	†	Roll Pin	4	
68	513857	Prevailing Torque Nut	4	0.80
69	†	Chain	1	
70	51398901	Setscrew	4	0.80
71	513380	Thickness Pointer	1	6.80
72	513986	Screw, 10-32 x 3/8"	1	0.80
<b>ANTI-KICKBACK ASSEMBLY</b>				
73	513395	Anti-kickback Rod	1	12.33
74	513393	Long Tube Spacer	2	1.28
75	513794	Washer	2	0.80
76	513369	Anti-kickback Wedge	11	0.81
77	513394	Short Tube Spacer	10	0.80
78	513385	Cotter Pin	1	0.80
<b>FEED ROLLER ASSEMBLIES</b>				
79	514534	Outfeed Roller	1	53.15
80	513391	Woodruff Key	2	0.80
81	555115	Infeed Roller	1	53.15
82	†	Special Washer	8	
83	†	Pivot Screw	4	
84	†	Pivot Arm	4	
85	†	Washer	8	
86	†	Spacer Washer	4	
—	<b>516075</b>	<b>Cutterhead Assembly</b>		385.56
87	†	Chip Deflector	1	
—	†	<b>Cutterhead Assembly (includes 88-93)</b>		
88	†	Cutterhead	1	
89	502899	Knife Leveling Screw	9	0.80
90	†	Ball Bearing	2	
91	513406	Wedge Locking Screw	24	0.80
92	513363	Knife Wedge	6	3.20
93	505982	Knife (set of 3)	1	82.90
Miscellaneous				
94	513414	Knife Setting Gauge	1	5.82
—	<b>51368601</b>	<b>5/32" Allen Wrench</b>	1	1.75
—	<b>51368604</b>	<b>3/16" Allen Wrench</b>	1	1.75
—	<b>51368607</b>	<b>1/8" Allen Wrench</b>	1	1.75
—	<b>51368605</b>	<b>3/32" Allen Wrench</b>	1	1.75

† Not available as a service part.

## Tips & Techniques

- Use Shopsmith Planer Knives (See Page 19). Other brands of knives will not seat properly in the cutterhead. Using off-brand knives is extremely dangerous.
- Your Planer Knives are preset at the factory and should not require any alignment. However, you should periodically check and re-check the condition and alignment of the knives.



## Molding/Shaping Basics

Molders and Shapers will both elevate your woodworking projects to a new level of professionalism. Each is designed to add decorative or functional touches to the edges and surfaces of wood – and both are capable of forming glue joints, drop-leaf joints, window and door sashes, and a wide variety of decorative edge treatments.

But, even though the same profiles are often available for each, there's a big difference when it comes to using the tools.

**The Molder** is used in the Table Saw position and is best suited for adding decorative touches to workpiece surfaces. This application is commonly used with door and window frame moldings, picture framing stock, and surface treatments of furniture components like table aprons or chair rails.

The Molder's major limitation is that it's only capable of forming profiles in a straight line ... since all stock must be guided by the MARK V's Rip Fence.

**The Shaper** is used with the Mark V set-up in the vertical position and is best suited for shaping the edges of workpieces. In this mode, the stock is passed by the spinning cutter – not over it ... and is usually guided through the process of forming straight or curved edges by a Shaper Fence or a Rub Collar with a Starter Pin.

And, since the Shaper is mounted on the main spindle above the work table, it's possible to shape inside edges, too. In both cases, the large work table surface supports stock without the need of any special jigs.

To decide which is best for you, look at the next project you want to build. If you're going to be making, plaques, oval or round picture frames, or kitchen cabinets with curved rails, get a Shaper. The addition of decorative edges to these projects would certainly add a real degree of professionalism to your work.

If, on the other hand, you plan on making new trim for a remodeled room, picture framing stock, or straight decorative moldings for furniture pieces, select the molder.

## The Shopsmith Molding Package – Your best choice for straight-line decorative surfacing or joinery cuts



While the Dado is perfect for cutting square-edged dados or grooves ... and the Shaper is your best choice for edging work ... the Molder really shines at creating a variety of standard or self-designed decorative patterns or shapes in the surfaces of workpieces.

You'll use it to create your own unique picture frame designs; to make customized architectural casework or moldings; to reproduce antique moldings that are either difficult-to-find or no longer available. The list goes on.

It's also a great choice for producing a variety of specialized joints such as: glue joint; tongue-and-groove; cabinet door panel joints; drop leaf table edge joints; and more.

### Complete Molding Package gives you loads of versatility at a nice savings

You'll get everything you need to add more *flair* to your projects. The Package includes:

- (505553) Steel Molder Head
- (505506) 5/8" Molder/Dado Arbor
- Molder Table Insert (for your MARK V Model)
- (505564) Bead & 1/4-Round Knives
- (505569) Ogee Knives
- (505570) 1/4" & 1/2" Combo 1/4-Round Knives
- (505573) 1" Flute Knives
- (555038) 3/16" Bead & Cove Knives

**555173 Molding Package \$208.50**  
(Model 500)

**555153 Molding Package \$208.50**  
(Models 505, 510 & 520)

**YOU SAVE \$11.33**

**A. Smooth-running, wobble-free Steel Molder Head** is a heavy-duty model, made of high-quality tool steel. Its unique ball and setscrew alignment system automatically positions the Knives during change-over and locks them in place. Designed to be mounted to the Shopsmith 5/8" Molder/Dado Arbor and used with a special Molder Table Insert.

**505553 Shopsmith Molder Head \$79.92**

**B. Versatile 5/8" Molder/Dado Arbor** is a great all-around Arbor for Dado Blades and Molder Heads. Having extras allows you to have a variety of tools ready to go to work on a moment's notice ... without bothersome change-over.

**505506 5/8" Molder/Dado Arbor \$27.87**

**C. Molder Table Insert** is a requirement when performing Molding operations. Made of high quality cast aluminum, they're heavily ribbed for added strength and designed to fit flush with the MARK V Work Table surface.





**505622 Molder Insert \$27.71**  
(Model 500 – bare aluminum)

**555121 Molder Insert \$27.71**  
(Models 505, 510, 520/Pro Fence painted red)

## A full complement of premium Shopsmith Molding Knives to meet your most exacting requirements

All Shopsmith Molder Knives may be used on any table saw with a 5/8" spindle and a maximum speed of 4,000 rpm's.

**All Molding Knife Sets (of 3) are \$18.95, unless otherwise specified.**

- |  |  |   |   |  |
|--|--|---|---|--|
| <p><b>1.</b> <br/>Cloverleaf<br/><b>505560</b></p>  | <p><b>2.</b> <br/>3-Bead<br/><b>505561</b><br/><small>(Mirror image of 505925)</small></p>        | <p><b>3.</b> <br/>Crown<br/><b>505562</b></p>  | <p><b>4.</b> <br/>Bead<br/><b>505563</b></p>   | <p><b>5.</b> <br/>Bead &amp; Quarter Round<br/><b>505564</b></p>                              |
| <p><b>6.</b> <br/>5/8" Cove<br/><b>505565</b></p>   | <p><b>7.</b> <br/>5/16" Cove &amp; Quarter Round<br/><b>505566</b></p>                            | <p><b>8.</b> <br/>Flute &amp; Quarter Round<br/><b>505567</b></p>  | <p><b>9.</b> <br/>Cabinet Door Lip<br/><b>555588</b></p>   | <p><b>10.</b> <br/>Ogee<br/><b>505569</b></p>   |
| <p><b>11.</b> <br/>1/4" &amp; 1/2" Combination Quarter Round<br/><b>505570</b></p>                | <p><b>12.</b> <br/>Groove<br/><b>505571</b><br/><small>(Mirror image of 505572)</small></p>       | <p><b>13.</b> <br/>Tongue<br/><b>505572</b><br/><small>(Mirror image of 505571)</small></p>              | <p><b>14.</b> <br/>1" Flute<br/><b>505573</b></p>  | <p><b>15.</b> <br/>Vee Groove<br/><b>505574</b></p>   |
| <p><b>16.</b> <br/>Glue Joint<br/><b>555096</b></p>   | <p><b>17.</b> <br/>1" Jointer<br/><b>505577</b></p>   | <p><b>18.</b> <br/>Quarter Round &amp; Cove<br/><b>505924</b></p>                                      | <p><b>19.</b> <br/>3-Flute<br/><b>505925</b><br/><small>(Mirror image of 505561)</small></p>           | <p><b>20.</b> <br/>Bead &amp; Bevel<br/><b>505926</b></p>                                   |
| <p><b>21.</b> <br/>Drop-Leaf Cove<br/><b>515413</b> <small>(Mirror image of 515415)</small></p> | <p><b>22.</b> <br/>Drop Leaf Bead<br/><b>515415</b> <small>(Mirror image of 515413)</small></p> | <p><b>23.</b> <br/>3/16" Bead &amp; Cove<br/><b>555038</b> <small>(Mirror image of 555039)</small></p> | <p><b>24.</b> <br/>3/16" Cove &amp; Bead<br/><b>555039</b> <small>(Mirror image of 555038)</small></p> | <p><b>25.</b> <br/>1/2" Flute<br/><b>555040</b> <small>(Mirror image of 555041)</small></p> |
| <p><b>26.</b> <br/>1/2" Nosing<br/><b>555041</b> <small>(Mirror image of 555040)</small></p>    | <p><b>27.</b> <br/>3/4" Flute<br/><b>555042</b> <small>(Mirror image of 555043)</small></p>     | <p><b>28.</b> <br/>3/4" Nosing<br/><b>555043</b> <small>(Mirror image of 555042)</small></p>           |   |  |

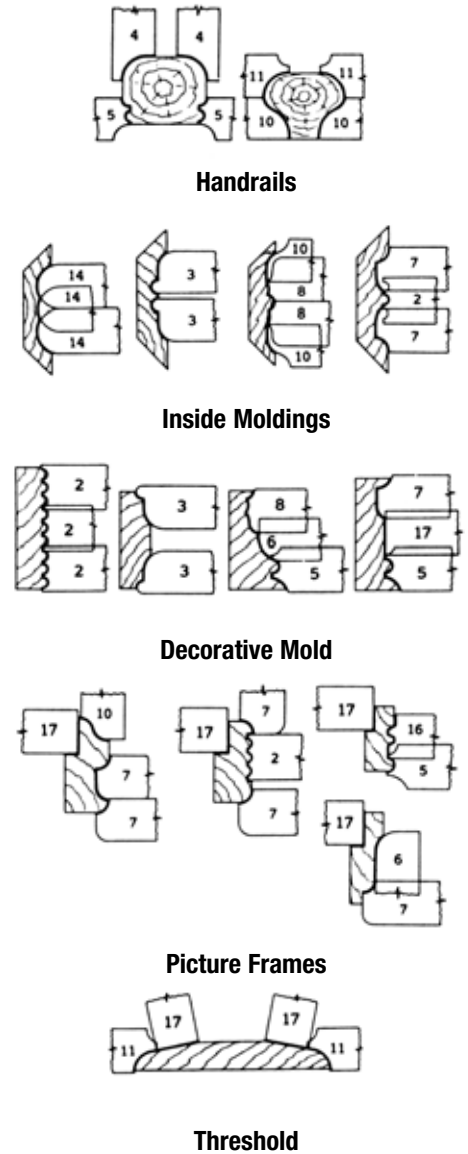
### Use different combinations of knives for unique results!

Some knives are designed to do a specific job like cutting glue joints, door and cabinet lips and three-bead moldings.

Others, however, are described as combination cutters and are usually set to shape a portion of the final profile.

Here are just a few of the many unique cuts you can make using Molder Knives in combination.

**The numbers inside the Knife shapes in the below illustrations correspond to the numbers next to each Knife profile at left.**

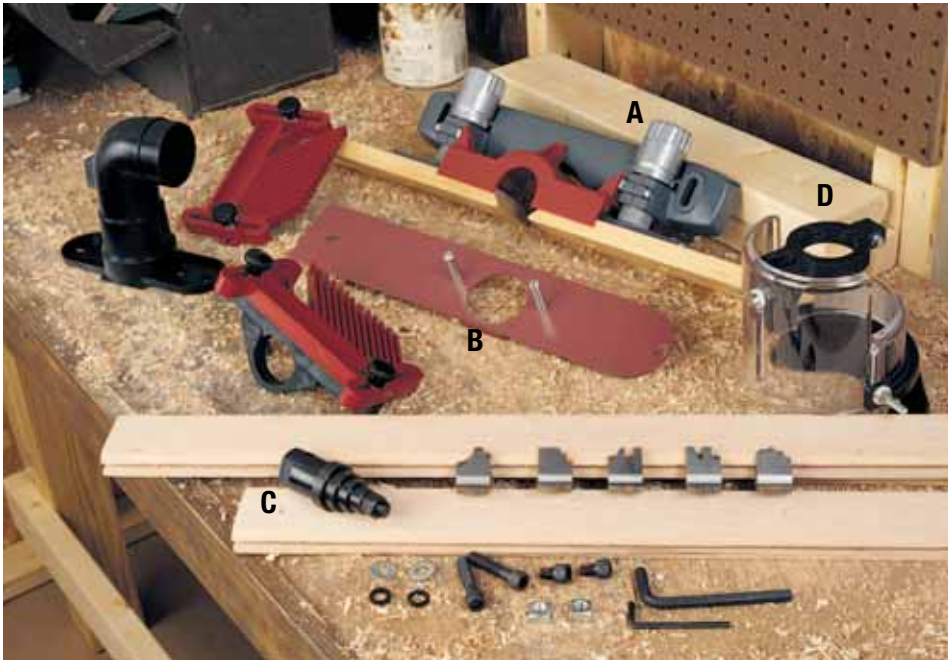


### Make beautiful cabinet doors with the Door Panel Cutter and Door-Rail Coper with your molder

Use the Door Panel Cutter to cut the panel grooves in the edge of the rails and stiles. Cut the ends of the rails with the matching Door-Rail Coper Knife.

- |  |                |
|--|----------------|
| <b>555080</b> Door Panel Molding Knife (Mirror image of 555081)      | <b>\$18.95</b> |
| <b>555081</b> Door-Rail Coper Molding Knife (Mirror image of 555080) | <b>\$18.95</b> |

**The Shopsmith Shaping Package – Helps you create beautiful decorative trim on curved or straight edges**



While the Molder produces great straight-line cuts in the surfaces of workpieces ... and the Dado is the tool to reach for when you need square-edged dadoes or grooves ... the Shaper is best for decorating edges or making edge joints on straight or curved edges.

In fact, Rub Collars and Starting Pins let the Shaper tackle irregular shaped edges as easily as regular ones. PLUS – the Shaper even lets you work on the **inside** edges of cut-outs such as round or oval picture frames.

And, like its Molding cousin, it's a great choice for producing specialized joints such as: glue joint; tongue-and-groove; cabinet door panel joints; drop leaf table edge joints; and more.

**Complete Shaping Package gives you loads of versatility at a nice savings**

The Shopsmith Shaping Package includes:

- Shaper/Drum Sander Fence Kit \*
- Shaper Table Insert \*
- (555117) Shaper Arbor with Collars
- (505608) 1/4" & 1/2" Combo 1/4-Round Cutter
- (505934) Flute & 1/4-Round Cutter
- (505618) 3/16" Bead & Cove Cutter
- (555078) Door Panel Shaper Cutter
- (555079) Door-Rail Coper Shaper Cutter

**555170 Shaping Package \$289.77**  
(Model 500)

**555141 Shaping Package \$289.77**  
(Models 505, 510 & 520)

**YOU SAVE \$19.32**

\* For your MARK V Model

**A. Shaper/Drum Sander Fence Kit** – Includes independently micro-adjustable (to 1/64") infeed/outfeed Fence; Shield; Quill-mounted Featherguard; Table-mounted Featherboard; and Vacuum Attachment.

**555144 Shaper/Drum Sander Fence Kit \$150.84**  
(Model 500)

**555113 Shaper/Drum Sander Fence Kit \$150.84**  
(Models 505, 510, 520)

**B. Table Inserts** – Rigid cast aluminum with 2 1/4" diameter circular cutout and two screw-in Starter Pins. Accepts Vacuum Attachment.

**505509 Shaper/Drum Sander Table Insert \$27.71**  
(Model 500 – not shown)

**555122 Shaper Table Insert \$27.71**  
(Models 505, 510, 520)

**C. 1/2" Shaper Arbor** – Includes four Rub Collars (25/32", 1", 1 1/4" and 1 1/2").

**555117 1/2" Shaper Arbor \$35.79**

**D. Shaper/Router Shield** – See-through Shield clamps around the MARK V Quill with a single setscrew and provides both front eye protection and a rear brush that can be adjusted to meet the top of the Fence or your workpiece for added dust collection efficiency.

**555373 Shaper/Router Shield \$22.27**

**Over or under-table Shaping?**

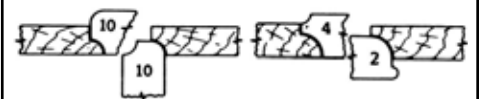
With the Shopsmith MARK V Woodworking System, you have the choice of performing your Shaping operations from above the Work Table surface or below it.

The Shaping Package, shown at left, is for those who prefer the over-table approach to Shaping. Using this approach, the up-down depth-of-cut is controlled by your MARK V's Quill and your speed is limited to the MARK V's maximum 5,200 rpm. As a result, your final cut may not be as smooth with over-table Shaping.

The Shopsmith Speed Increaser **See Page 32** allows you to perform under-table Shaping operations at 10,000 rpm's. At this speed, you'll usually achieve a smoother final cut than with over-table Shaping. Using this approach, depth-of-cut is controlled by the up-down motion of your Work Table. Our Adjustable Stop Collars **See Page 87** will help you make more finite adjustments.

**A few examples of how you can combine Cutter profiles to create special shapes**

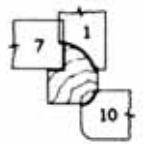
The numbers inside the Cutter shapes in the below illustrations correspond to the numbers next to each Cutter profile on page 51.



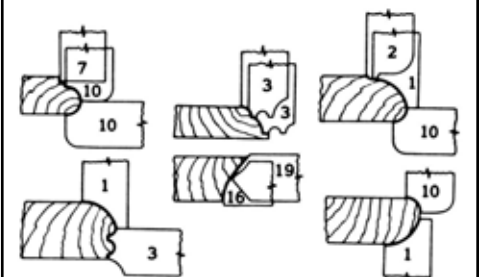
**Drop Leaf Tables**



**Screen Mold**



**Picture Frames**









**Table Edges**

## A full complement of premium Shopsmith Shaper Cutters for decorative edging, joinery and more

All Shopsmith Shaper Cutters may be used on any shaper that accepts 1/2" bored Cutters. For safety reasons, we recommend that these cutters always be used with a Shaper Fence [See Page 69](#) when straight-line shaping.

**All Shaper Cutters are \$18.95, unless otherwise specified.**

- |  |  |  |   |  |
|--|--|--|---|--|
| <p><b>1.</b> <br/>Bead<br/><b>505605</b></p>  | <p><b>2.</b> <br/>Crown<br/><b>505606</b></p>   | <p><b>3.</b> <br/>Bead &amp; Quarter Round<br/><b>505607</b></p>  | <p><b>4.</b> <br/>1/4" &amp; 1/2" Combination Quarter Round<br/><b>505608</b></p>                            | <p><b>5.</b> <br/>Bead &amp; Bevel<br/><b>505613</b></p>          |
| <p><b>6.</b> <br/>Flute &amp; Quarter Round<br/><b>505934</b></p>                                     | <p><b>7.</b> <br/>1" Jointer<br/><b>505611</b></p>  | <p><b>8.</b> <br/>Cabinet Door Lip<br/><b>555589</b></p>  | <p><b>9.</b> <br/>Glue Joint<br/><b>555095</b></p>   | <p><b>10.</b> <br/>Quarter Round &amp; Cove<br/><b>505614</b></p> |
| <p><b>11.</b> <br/>3-Bead Edge<br/><b>555011</b><br/><small>(For use on 3/4" stock)</small></p>      | <p><b>12.</b> <br/>Cloverleaf<br/><b>505616</b></p>  | <p><b>13.</b> <br/>Tongue<br/><b>505610</b><br/><small>(Mirror image of 505609)</small></p>  | <p><b>14.</b> <br/>Groove<br/><b>505609</b><br/><small>(Mirror image of 505610)</small></p>                 | <p><b>15.</b> <br/>1/4" Groove<br/><b>505612</b></p>             |
| <p><b>16.</b> <br/>Ogee<br/><b>505932</b></p>   | <p><b>17.</b> <br/>3/4" Flute<br/><b>555048</b> <small>(Mirror image of 555049)</small></p>         | <p><b>18.</b> <br/>3/4" Nosing<br/><b>555049</b> <small>(Mirror image of 555048)</small></p>  | <p><b>19.</b> <br/>Vee Groove<br/><b>505935</b></p>  | <p><b>20.</b> <br/>1/2" Radius<br/><b>555010</b></p>            |
| <p><b>21.</b> <br/>Drop-Leaf Cove<br/><b>515326</b><br/><small>(Mirror image of 515327)</small></p> | <p><b>22.</b> <br/>Drop Leaf Bead<br/><b>515327</b><br/><small>(Mirror image of 515326)</small></p> | <p><b>23.</b> <br/>3/16" Bead &amp; Cove<br/><b>505618</b><br/><small>(Mirror image of 555009)</small></p>  | <p><b>24.</b> <br/>3/16" Cove &amp; Bead<br/><b>555009</b><br/><small>(Mirror image of 505618)</small></p> | <p><b>25.</b> <br/>1/2" Groove<br/><b>505938</b></p>            |
| <p><b>26.</b> <br/>3-Flute<br/><b>555012</b> <small>(Mirror image of 505933)</small></p>            | <p><b>27.</b> <br/>3-Bead<br/><b>505933</b> <small>(Mirror image of 555012)</small></p>             | <p><b>28.</b> <br/>Complete Cabinet Set<br/><b>505937</b> <small>Performs comparably to the Sash and Door Cutter Kit (6 cutters total).</small><br/><b>\$104.15</b></p> |   |  |



### Oscillating Drum Sander extends Drum Sleeve life, produces smoother results and eliminates workpiece burning

This work-saving accessory attaches to your MARK V (in Drill Press mode) and is powered solely by its Auxiliary Spindle. Once installed, it will provide an unassisted, continuous up-down oscillating action that's always exposing fresh abrasives to the wood and *cleaning* the Sleeve while you work.

As a result, you'll spend a lot less time sanding and produce much smoother results without having to worry about unsightly abrasive marking or burning the edges of your stock.

#### It's easy ...

Just set your MARK V up for Drill Press operation as you normally would for Drum Sanding. Clamp the Gearbox Mount around your MARK V's Way Tubes, install the Power Coupler, replace the Quill Handle with the Sander Lever Arm and attach the Cable.

In less than five minutes, you'll be ready to start sanding faster, smoother and more economically than ever before.

Works with any Shopsmith Drum Sander from our smallest 1/2" by 2" Drum to our all-new 2 1/4" by 6" Drum.

**555754** Oscillating Drum Sander **\$148.58**

Enjoy added sanding control with our Drum Sander/Shaper Fence Kits. See Page 72 for more information

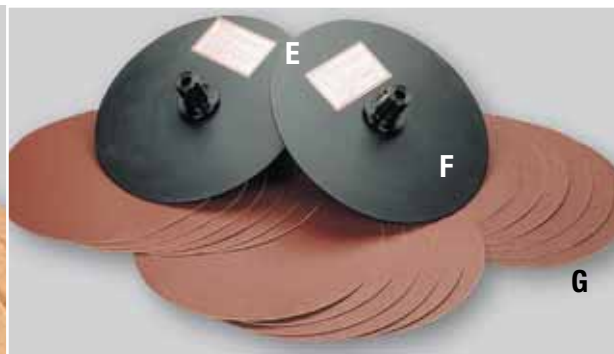
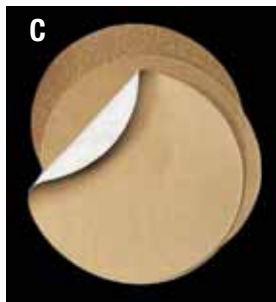
### Make beautiful cabinet doors with the Door Panel Cutter and Door-Rail Coper with your shaper

Use the Door Panel Cutter to cut the panel grooves in the edge of the rails and stiles. Cut the ends of the rails with the matching Door-Rail Coper Knife.

**555078** Door Panel Shaper Cutter (Mirror image of 555079) **\$18.95**  
**555079** Door-Rail Coper Shaper Cutter (Mirror image of 555078) **\$18.95**



# Cool off your Disc Sanding and speed-up sandpaper Disc changes with the Velcro®, Fastening System



## Get super-smooth results on all of your projects with our Pressure-Sensitive 12" Disc Sanding Package

**E.** Order this special Package and you'll never again have to fiddle with changing grits in the middle of a project. **You'll be ready!**

You get **two** extra 12" Steel Sanding Discs plus 18 Pressure-Sensitive, Aluminum Oxide Sandpaper Discs (six each, Coarse, Medium and Fine).

**505844** Disc Sanding Pkg. **\$164.75**  
**YOU SAVE \$18.30**

## F. 12" Steel Sanding Disc

**555143** 12" Steel Sanding Disc (1) **\$55.60**

**A.** The Velcro®, Disc Sanding Fastening Package lets you change from grit-to-grit in seconds, without solvents or scraping – PLUS – provides a natural cushion for cooler sanding, as well.

The complete Velcro Disc Sanding Fastening Package includes: a 12" Velcro Fastening System Conversion Disc plus two packages of assorted 12" Velcro-Backed A/O Discs.

**556120** Velcro Disc Sanding Fastening Package **\$69.89**  
**YOU SAVE \$7.76**

**B.** Velcro® Conversion Disc – Self-adhesive on one side, Velcro on the other.

**555102** Velcro Conversion Disc **\$20.21**

## C. Velcro-Backed Aluminum Oxide Discs

Durable enough to sand wood with loop-styled backs that attach to the conversion discs above. 6 Discs/package.

**555620** Fine – 150-grit  
**555621** Medium – 100-grit  
**555622** Coarse – 60-grit  
**555623** Assorted – (3) Fine, (2) Medium (1) Coarse

**\$28.72 Each**

## D. Get added dust collection efficiency and support with our Disc Sander Table Insert

Heavy, die-cast aluminum Insert features an elongated slot with relieved bottom edges that allow you to tilt the work table for bevel sanding.

**NOTE:** If you own an old aluminum Sanding Disc, you'll need to purchase a Steel Disc (555143, above). For Models 505, 510 and 520 only.

**555116** Disc Sander Table Insert **\$27.60**

## Pressure-sensitive aluminum oxide Sandpaper Discs – the great all-around choice for woods and non-ferrous metals

**G.** These top-quality Discs feature a durable aluminum oxide abrasive, bonded to a heavy, industrial-grade pressure-sensitive paper backing, then precision cut to an exact 12".

### Six Discs per Package.

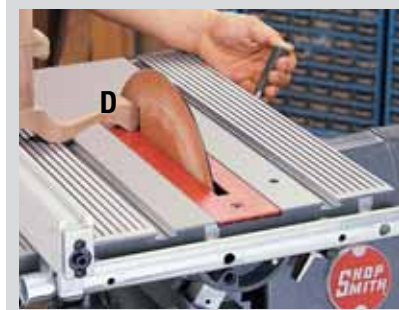
**505842** Fine – 100-grit  
**505841** Medium – 80-grit  
**505840** Coarse – 60-grit  
**505843** Assorted – (3) Fine, (2) Medium (1) Coarse

**\$23.95 Each**

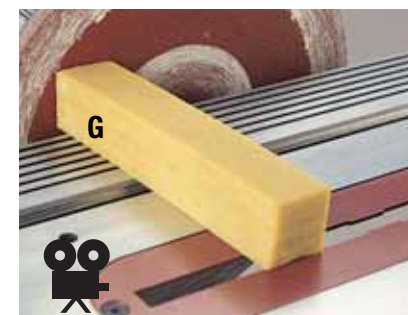
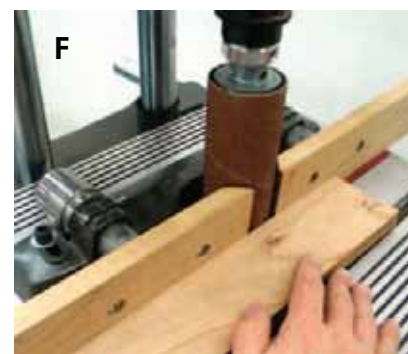
## Help keep your shop dust-free with the Disc Sander Dust Chute

*(Model 500 only)* The Dust Chute comes standard equipment with all MARK V's 505, 510 & 520/Pro Fence, and (555985 & 555142) Table System Retro-Fit Kits. Not for use with older aluminum Discs.

**555167** Disc Sander Dust Chute **\$55.95**



**Sand curved or straight...large or small...inside or outside workpiece edges...  
...with these great Shopsmith Drum Sanding accessories**



**You get 37 pieces of Drum Sanding versatility in these special Packages**

Each Package includes Shopsmith's 2 1/4" diameter x 3" high Drum Sander; a Drum Sander/Shaper Table Insert\*; a Drum Sander/Shaper Vacuum Attachment; six assorted Drum Sander Sleeves; PLUS – Shopsmith's complete, 28-piece Extra-Long Drum Sanding Set (750148). **It's all here!**

\* For your MARK V Model **ER M2 M7**

**555171 Drum Sanding Package (Model 500) \$108.67**

**555155 Drum Sanding Package (Models 505, 510, 520) \$108.67**

**YOU SAVE \$10.71**

**C. Drum Sander Table Inserts** – Accepts Vacuum Attachment (D below) to help channel sawdust away to Dust Collector. Allows drum to drop below Table surface for full profile edge sanding. **ER M2 M7**

**505509 Drum Sander/Shaper Insert (Model 500 – not shown) \$27.71**

**555119 Drum Sander Insert (Models 505, 510, 520) \$27.71**

**D. Drum Sander/Shaper Vacuum Attachment**

Lets you use your Shopsmith DC3300 Dust Collector **See Page 23** to eliminate workshop dust.

**555168 Vacuum Attachment \$11.76**

**E. Extra-Long Drum Sanding Set tackles large or small diameter jobs up to 2" thick** – A full 28 pieces of Drum Sanding power! The set starts with four 2" high Drums (1/2", 3/4", 1" and 1 1/2" diameters) and adds three Fine, two Medium and one Coarse grit Sleeve for each size Drum.

**750148 Extra-Long Sanding Set \$32.43**

**Replacement X-L Sleeve Assortments**

Six Fine, four Medium and two Coarse Sleeves in each 12 Sleeve Assortment.

**755037 1/2" x 2" \$7.84 Each**

**755039 1" x 2" \$7.84 Each**

**755038 3/4" x 2" \$7.84 Each**

**755040 1 1/2" x 2" \$7.84 Each**

**\$7.84 Each**

**F. New 6" tall Drum provides capabilities you may never have considered!**

2 1/4" diameter rubber expansive Drum does everything our 3" tall model does, and then some! Sand curved finial shapes on 4" x 4" deck posts. *Pad-Sand* a stack of 3/4" thick workpieces all at once. Or ... put a 3" tall Medium Sleeve on top – and a 3" tall Coarse Sleeve on the bottom, then switch grits fast with your Quill Lever (Vacuum Attachment must be removed). Includes one Medium 6" Sanding Sleeve. Nifty!

**555948 2 1/4" x 6" Drum Sander \$45.86**

**Replacement 6" x 2 1/4" Sleeves**

Six Sleeves per package. Assorted Pack – two of each grit.

**555949 Fine \$17.93 Each**

**555950 Medium \$17.93 Each**

**555951 Coarse \$17.93 Each**

**555952 Assorted \$17.93 Each**

**\$17.93 Each**

**G. Abrasive Cleaning Stick** – Extends the usable life of Discs, Belts and Sleeves by up to 400%. Just hold the 1 1/2" square, 8" long Cleaner against your moving abrasive and watch as it does its job.

**753523 Abrasive Cleaning Stick \$10.99**



**Shopsmith Gift Cards make a great gift!**

**Order online 24 hours a Day**

[www.shopsmith.com/ownersite/giftcard/index.htm](http://www.shopsmith.com/ownersite/giftcard/index.htm)

**Achieve super-smooth, swirl-free sanding results on even the most troublesome workpiece edges and surfaces with the remarkable Shopsmith Conical Sanding Disc**



## Astonishing results on surfaces up to 4" wide

- Joint highly figured woods without tearing or chipping
- Produce glue-quality edges on sheet goods
- Shave end grains to length with glass-smooth results
- Achieve precision-ground surfaces on edged tools

A few years back during an annual inventory, a Shopsmith engineer pulled a box out of a dark, neglected corner of the warehouse ... opened it, and discovered a Conical Sanding Disc made by Magna Engineering (the original manufacturer of Shopsmith equipment).

Lucky for all of us, he had used a Disc just like this at a woodworking company where he had been employed several years earlier, recalled its incredible capabilities and set out on a "mission" to bring this extremely versatile product back to the market.

Since then, we've sold thousands of these amazing Discs and all who use them continue to sing their praises.

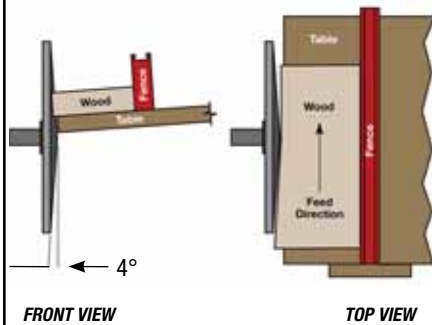
### How does it work?

The heavy steel Disc is made with a precise, 4° tapered, cone-like shape. When using it, the MARK V's Table is tilted to that same 4° angle and a Rip Fence or Miter Gauge used as a guide to keep the stock moving in a straight line.

As the stock is moved past the Disc, a narrow band (less than 1/4" wide) is created where the full workpiece edge (up to 4" tall) is in contact with the abrasives.

Within this band, all of the abrasive materials and the workpiece edge move parallel with one another and in opposing directions. This is straight-line abrasion in its purest sense. No wonder there are no swirl marks. It's magic!

### High-tech design, high-quality results



The infeed side of the Disc – NOT THE OUTFEED SIDE – contacts the workpiece's surface at a 90° angle, parallel to the grain.

The 4° taper begins 1 1/4" from the center of the disc and continues to its outside edge. This taper gives the disc its cone-like shape.

### Puts a glass-smooth, glue quality finish on even the most difficult edges

No edge is too uneven or tough. Unlike your Jointer, the Conical Disc will shave the edges of highly figured birdseye or BURL woods without tearing or chipping. Where materials such as plywoods, particleboard, MDF and plastic laminate-covered composites will eat up Jointer knives, they're no problem for the Conical Disc.

### Remove up to 1/8" in a single pass!

A 1/8" pass across the edge of composites and highly figured woods is almost certain to produce undesirable results. NOT with the Conical Sanding Disc. Grab a 2" x 2" piece of figured wood or composite, make your set-up for a 1/8" pass according to your Disc Manual, follow all operational and safety instructions and shove it through. WOW!

**555477 Conical Disc Sanding Pkg. (Includes Disc and Assorted Disc Pack) \$69.39**  
**YOU SAVE \$7.59**

**555435 Conical Sanding Disc (only) \$58.09**

### Conical Sandpaper Discs

Pressure-sensitive aluminum oxide Discs. Three per package. Assorted Pack includes one each 50, 80 and 150-grit Discs.

**555430 50-Grit**

**555431 80-Grit**

**555433 150-Grit**

**555434 Assorted (One Ea. – 50, 80 & 150-Grit A/O Discs)**

**\$18.89 Each**



### Inflatable Sander uses your MARK V Lathe to shape or smooth contours and profiles



Just mount this 2 1/4" diameter x 8" long sander between the centers of your MARK V's Lathe (Tailstock Live Center, 505602 required for use, [see Page 78](#) and inflate it to the pressure you want (up to 15# psi) with a bicycle pump. Sands flat surfaces (at max inflation) or contoured shapes (at low pressure) with equal ease. High-quality construction with metal ends and canvas-over-rubber drum. Includes one 100-grit/medium aluminum oxide sleeve.

**754200 Contour Sanding Drum \$75.17**

### Aluminum Oxide Replacement Sanding Sleeves (5 sleeves per pack)

**754201 Coarse – 80-grit**

**754202 Medium – 100-grit**

**521760 Fine – 120-grit**

**754203 Ultra-Fine – 150-grit**

**\$22.34 Each**

### Cut your sanding time in half and achieve smoother surfaces with these versatile Hand Scrapers



Hand Scrapers will remove materials much faster than sandpaper and, at the same time, eliminate uneven spots that abrasive materials will only tend to magnify. In addition to their superior smoothing qualities, they will also prove most useful in removing old finishes and glue with incredible ease and precision.

This complete set includes a rectangular scraper, a concave/convex scraper, and a "goose-neck" scraper for moldings and shaped edges of all types.

**518666 Set of 3 Hand Scrapers \$14.39**

**The last word in quality wood boring Drill Bits**  
**When boring holes in wood, always use a wood bit!**



Brad Point Bits are your best choice for most woodworking applications: Boring holes for dowels or round tenons; Pilot holes for screws or bolts; Counterbores. Whenever you need a clean hole, you need a Brad Point Drill Bit.

These bits are manufactured to our exacting

specifications from high quality carbon alloy steel to take and hold a keen cutting edge under heavy use. All Bits are 5 1/2" long and those above 1/2" diameter feature 1/2" shanks.

The quality Hardwood Case (with polyurethane finish) features a form-fitting slot for each Bit.

Part #	Size	Basic Set	Alternate Set	Completer Set	Super Set	Retail
555016	1/8"					\$6.64
505879	3/16"		X	X	X	\$8.18
505880	1/4"	X			X	\$8.18
505881	5/16"		X	X	X	\$9.23
505882	3/8"	X			X	\$10.25
505883	7/16"		X	X	X	\$11.54
505884	1/2"	X			X	\$13.77
505885	9/16"		X	X	X	\$12.70
505886	5/8"	X			X	\$14.92
505887	11/16"			X	X	\$15.80
505888	3/4"	X			X	\$17.42
505889	13/16"			X	X	\$19.88
505890	7/8"		X	X	X	\$22.06
505891	15/16"			X	X	\$25.80
505892	1"		X	X	X	\$26.81
		<b>555417</b>	<b>555415</b>	<b>505905</b>	<b>555416</b>	
<b>PRICE PER SET</b>		<b>\$57.41</b>	<b>\$86.82</b>	<b>\$137.75</b>	<b>\$267.21</b>	
<b>YOU SAVE</b>		<b>\$7.13</b>	<b>\$3.70</b>	<b>\$14.25</b>	<b>\$12.98</b>	

**Here's why Brad Point Bits are the Pro's choice:**



- A super-sharp point at the tip locates the hole with unwavering precision, then "bites-in" to hold the bit on center as it advances, guaranteeing "on-target" hole location.
- The two side spurs slice cleanly through the wood fibers making a perfectly round, splinter-free entry and exit, while the precision-ground edges shave the hole side clean. Deep chip channels quickly eject the chips.
- High quality carbon alloy steel holds its edge while radiused step adds strength and durability.

Shopsmith Brad Points are available individually or one of four sets, as described in the chart at the bottom left. All bits above 1/2" have 1/2" shanks.

**Form perfect screw head recesses with this single-fluted, quick-cutting, 3-piece Countersink Set**



Use this set of three single-flute, precision ground cutters to recess the heads of screws and bolts flush with the surface.

Includes: 1/4", 1/2" and 5/8" diameters to cover the smallest to largest screwheads. German-made for use with portable electric drills or drill presses. All have 1/4" shanks.

**722016** 3-piece Countersink Set **\$26.19**



**Amazingly versatile, they're the world's most unique bits!**



Forstner bits are designed to handle tasks that other bits just can't tackle. First, they have practically no center spur, so they're ideal for boring almost perfectly flat-bottomed holes like those found in holders for candles or salt and pepper shakers – or, hollowing out small, circular boxes for rings, jewelry, etc.

Thanks to the small spur, you can use most forstners to drill to within 1/32" of the bottom of your workpiece without fear of the center spur chewing through the wood.

They're also great for boring exceptionally clean angled holes or overlapping holes; for re-locating an existing hole by enlarging it; for making round-end mortises; for drilling into end grain; and for drilling larger diameter holes in extremely thin stock, such as veneers, without splitting.

Furthermore, because of their unique design, they won't "wander" off center, even through

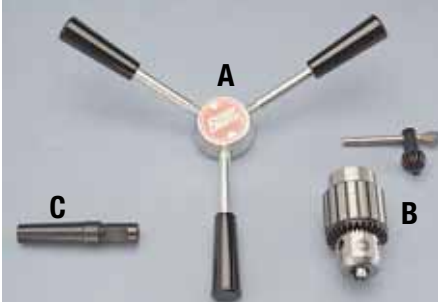
knots, bird's-eyes, and irregular grains. In short, they do all the things most bits can't do.

Forstner bits are available in four individual sizes or a complete set for additional savings. All bits offer a 5/16" shank. Each is 3 1/2" long overall. Definitely, the most versatile and convenient drill bits you could ever own!

<b>720015</b>	3/8" Forstner Bit	<b>\$10.36</b>
<b>720016</b>	1/2" Forstner Bit	<b>\$11.38</b>
<b>720017</b>	5/8" Forstner Bit	<b>\$13.61</b>
<b>720018</b>	3/4" Forstner Bit	<b>\$14.81</b>
<b>720019</b>	7/8" Forstner Bit	<b>\$15.84</b>
<b>720020</b>	1" Forstner Bit	<b>\$18.07</b>
<b>555749</b>	Forstner Bit Package <i>Includes all 6 bits above</i>	<b>\$68.62</b>
		<b>YOU SAVE \$15.45</b>



**Work easier and safer with these three great drilling accessories**



**A. 3-Lever Drill Press Quill Handle for more leverage, control and convenience**

Ergonomically correct Handle attaches to either side of the MARK V Headstock to give you the maximum leverage and comfort without "over-reaching" when Drilling, Drum Sanding, Routing or Shaping.

**555491** 3-Lever Drill Press Handle **\$30.19**

**B. Precision Drill Chuck and Key**

For MARK V or any 5/8" lathe spindle. 1/2" shank capacity.

**505633** Drill Chuck w/Key **\$40.49**

**C. Tailstock Chuck Arbor** – Used for center drilling lamp standards and the ends of workpieces mounted to the MARK V's driven spindle. #2 Morse Taper end slips into MARK V's Lathe Tailstock. Drill Chuck mounts on opposite end.

**505603** Tailstock Chuck Arbor **\$20.78**

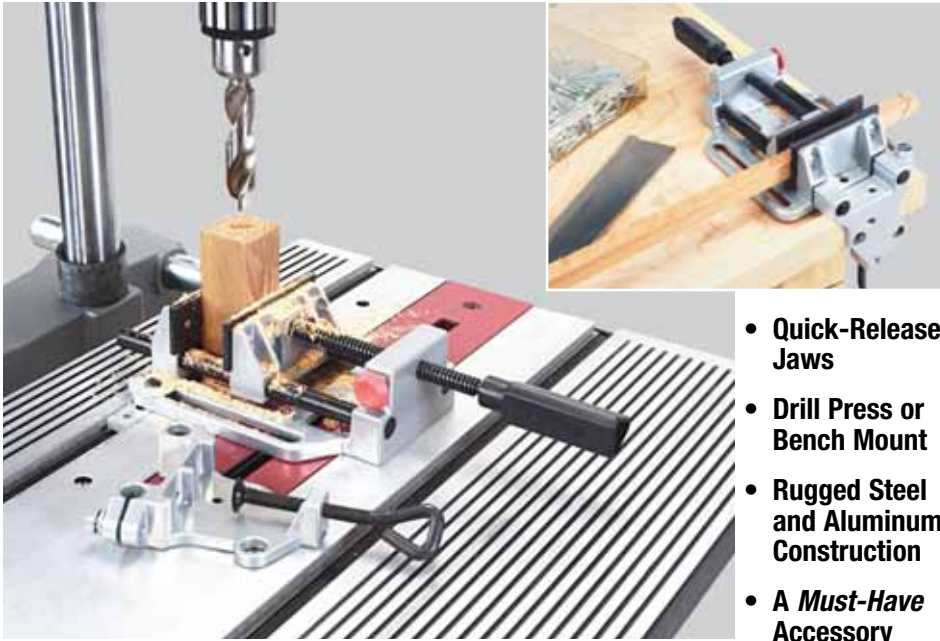
**Breathable Machine Cover protects your MARK V from condensation and damaging rust**



This rugged, cotton/polyester cover is custom-sewn to the shape of your Shopsmith MARK V. The special urethane coating repels moisture while a unique perforation process allows any moisture that might get in from below to escape, preventing rust and corrosion.

**515306** MARK V Cover **\$40.94**  
*Models 500, 505, 510 & 520*

**Versatile, Multi-Purpose Drill Press/Bench Vice comes With mounting hardware for your MARK V Work Table**



- **Quick-Release Jaws**
- **Drill Press or Bench Mount**
- **Rugged Steel and Aluminum Construction**
- **A Must-Have Accessory**


Occasionally, a product comes along that's so handy, it's tough to do without. This is one of those products. Most vises that are worth their salt can cost upwards of \$100, and then, all you usually get is either a Bench Vise **OR** a Drill Press Vise.

However, with this one Vise, you get **both**. As a Drill Press Vise, it mounts directly to the Miter Gauge Slots in your MARK V Work Table with two Sliding T-Nuts, Buttonhead Bolts and Fender Washers (included).

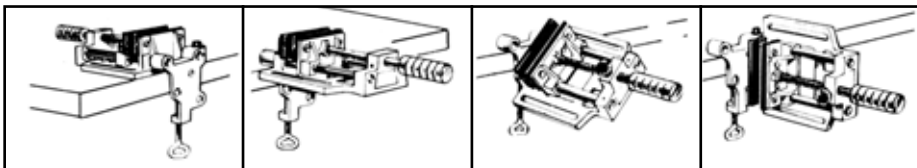
You'll reach for it whenever you need to hold workpieces for drilling or routing operations. As

a Bench Vise, you can clamp it onto any surface up to 2 1/2" thick in a vertical, horizontal, 45° or even upside-down position to hold any object up to its 4" jaw opening.

Stationary 1 3/8" h x 3 7/8" w Jaw features both vertical and horizontal V-Slots for gripping round or odd-shaped objects. Just depress the quick-release button on top and the movable Jaw slides open in a single, quick action.

Includes Vise, Bench Clamp, two Sliding T-Nuts (514491), two Buttonhead Bolts and two Fender Washers for MARK V mounting. 

**555994 Bench/Drill Press Vise \$50.70**



**On Bench**

**Off Bench**

**45° Angle**

**90° Angle**

**Shopsmith's T-Track Utility Light sheds light on close-up work**



This special Fence Light Kit includes a Shopsmith Utility Light (555503) and a special bracket for mounting it quickly to the T-Track on the top of your MARK V's Rip Fence or the T-Slots in your work table surface (Models 510 or 520 only).

Can also be used with later model Shopsmith Bandsaws and Bandsaw Fences, and the Shopsmith MARK V Router Table Kit. Just slide the bracket into position and lock with a quick twist to hold and aim your Utility Light exactly where you need it.

**555806 T-Track Utility Light Kit \$71.30**  
*Includes Utility Light and Bracket*

**521787 T-Tract Light Support Bracket Only \$22.22**

**Flip-up Rip Fence Stop ensures precise repeatability at up to 32" from center**



Here's the perfect accessory for repetitive drilling operations or for controlling "stopped" operations such as dadoes, grooves, bandsaw cuts or decorative molding and routing operations.

Just attach the aluminum Extension Rail to the top of your MARK V's (505, 510 or 520) or later model Bandsaw Rip Fence and lock it into position with a quick twist of the Knob. The special extension Rail includes two built-in washers to hold the Rail parallel when it's extended beyond the end of your Rip Fence.

You'll get a full 32" of adjustment from the center of a Model 510 Work Table (31" on a Model 520).

Then, slide the Flip-Up Stop onto the Rail and twist the Locking Knob. Flippers are reversible to work on either side of the Fence. Order extra Flippers for multiple stops.

**555807 Flip-Up Rip Fence Stop \$44.09**  
*Models 505, 510 & Bandsaw Fence*

**555808 Flip-Up Rip Fence Stop \$44.09**  
*Model 520 Only*

**52170801 Flip Stop \$14.27**  
*Models 505, 510 & Bandsaw Fence*

**52170802 Flip Stop \$14.27**  
*Model 520 Only*

**Plug Cutters help you cover unsightly screwheads with matching wood**



Exposed screwheads can spoil the appearance of an otherwise spectacular project. You can make your own plugs out of the very same wood you're using for your project; and they'll match so perfectly they'll become practically invisible!

This set of three Cutters will create tapered, easy-to-insert 1/4", 3/8" and 1/2" plugs up to 1" long. German-made, they all feature 1/4" shanks. Recommended for use in drill presses.

**522477 3-Piece Tapered Plug Cutter Set \$27.99**

**Turn beautiful, perfectly-matched spindles or bowls with the easy-to-use Shopsmith Lathe Duplicator**



Now you can quickly and easily make multiple spindle or faceplate turnings that match perfectly. Create chair backs, newel posts and stair railings. Turn matched sets of bowls or round gift boxes. Duplicate pieces up to 8" in diameter with cuts to 3/4" deep! Work with flat patterns or existing turnings such as worn or broken porch spindles.

A simple Micro-adjustment assures Cutting Tip to Follower Tip alignments as close as 1/64". Then just grasp the Floating Tool Rest Assembly (which holds the Cutting and Follower Tips) firmly with both hands, and glide it smoothly across the Work Table surface while the Follower Tip traces the pattern and the Cutting Tip does the work. Simple!

The two-handed grip gives you positive control of every cut. Use the Follower Tip when duplicating, or remove it and turn free-hand without fear of gouging or snagging.

The rugged Work Table mounts in your MARK V's Table Carriage. Heavy steel supports clamp quickly to the MARK V's upper way tubes to hold the pattern securely. Includes Safety Guard and 12" wide, clear Chip Deflector Shield for added safety. Folds for compact storage.

**Standard Accessories:**

- Mounting Brackets with Unistrut® Support Bar
- 60° Triangle Cutter and Follower
- 12" Floating Chip Shield
- Floating Tool Rest Assembly
- Heavy-Duty Work Table Assembly
- Two Reversible Pattern Clamps
- Live Center Extension Spacer (optional Tailstock Live Center is not included, but recommended). [See Page 78](#)

**Specifications**

Maximum length of workpiece.....	34"
Maximum length of turning .....	32"
Minimum length of workpiece	
With standard Cup Center.....	6 1/4"
With Live Center and spacer.....	4 1/4"
Maximum turning diameter	
from a flat template.....	8"
Maximum turning diameter	
from 3-dimensional pattern.....	4"

**555638 Shopsmith Lathe Duplicator \$461.99**

*Includes: Standard Accessories, including one 60° Triangle Cutting Tip ER M2 M7*

*The Shopsmith Lathe Duplicator is a Special Truck Shipment item and requires an additional \$15 shipping fee.*

**Adjustable, See-Through Lathe Shield**



Protect your eyes from flying chips and debris during turning with this 12 5/8" x 11" impact-resistant, see-through Shield. Attach the Mounting Support Bracket to the back side of your MARK V's Headstock (hardware included), slide the Gooseneck's notched end over the Bracket and go to work.

The complete Kit includes the See-Through Shield, 24" Gooseneck Arm with attached, slip-on Mounting End, Support Bracket, Mounting Hardware and full instructions. Order extra Support Brackets for your other machines.

**522198 See-Through Lathe Shield \$54.27**

**555520 Extra Support Bracket \$4.55**  
*With hardware*

**Duplicator Steady Rest**



Recommended when turning long or small diameter spindles to eliminate whip, chatter and vibrations.

Assures a smoother finish with less chance of workpiece breakage. Fully adjustable. Accepts stocks with diameters from 3/16" to 3 1/2" in dia. Permanently lubricated ball bearing.

**555639 Lathe Duplicator Steady Rest \$54.18**

**1/2" Cone Cutter/Follower**

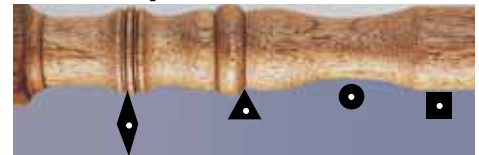


Precision-ground, high-speed steel with extra-sharp edge for fine, smooth shaving cuts in

both soft and hardwoods.

**555278 1/2" Cone Cutter/Follower \$14.51**

**Cutter Profiles and matching Follower Tips**



**555213 35° Diamond Cutter - For turning fine beads of deep, intricate detail. \$24.81**

**555211 60° Triangle Cutter - Universal tip, from rough turning through medium details. Comes standard with Lathe Duplicator.**

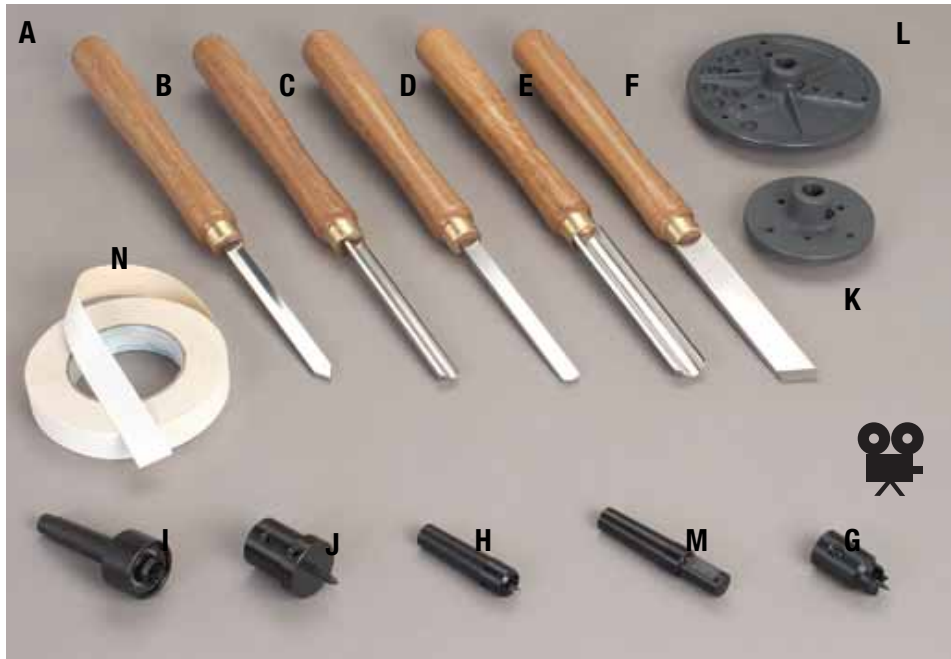
**555210 1/2" Round - For initial roughing/forming curves and coves.**

**555212 3/8" Square - For turning long, flat surfaces, dowels and plugs.**

**\$24.81 Each**

# Shopsmith's Lathe Chisels, Faceplates and Centers

## The tools you need to start building your turning skills



### Shopsmith's Lathe Turning Package is a great Starter Set & a nice value, too!

Start with our 5-Piece Lathe Chisel Set; add both of our Lathe Faceplates, a Lathe Screw Center, a Tailstock Live Center, and a Tailstock Chuck Arbor.

**505754** Lathe Turning Package **\$201.23**

**YOU SAVE \$17.01**

#### A. Shopsmith's 5-Piece Lathe Chisel Package handles all your basic turning needs

Made of premium-quality, high-speed steel, Shopsmith's Lathe Chisels will take and hold a keen cutting edge under hard use. Comfortable hardwood handles are a joy to hold.

##### Package includes:

- 1" Skew with a straight, slanted edge for cutting beads, smoothing and forming round shapes.
- 3/8" and 1" Gouges for cutting coves and roughing stock to make it round.
- 1/2" Parting Tool for grooving, cutting shoulders, sizing cuts and separating your project from the scrap.
- 1/2" Roundnose for bowls and other faceplate-mounted projects.

**505586** 5-Piece Lathe Chisel Package **\$93.75**  
**YOU SAVE \$9.52**

#### Individual Lathe Chisels

<b>B. 515030</b>	Parting Tool	<b>\$19.73</b>
<b>C. 515028</b>	3/8" Gouge Chisel	<b>\$19.73</b>
<b>D. 515029</b>	1/2" Roundnose Chisel	<b>\$19.73</b>
<b>E. 515027</b>	1" Gouge Chisel	<b>\$22.04</b>
<b>F. 515026</b>	1" Skew Chisel	<b>\$22.04</b>

#### G. Lathe Drive Center grips your turnings securely

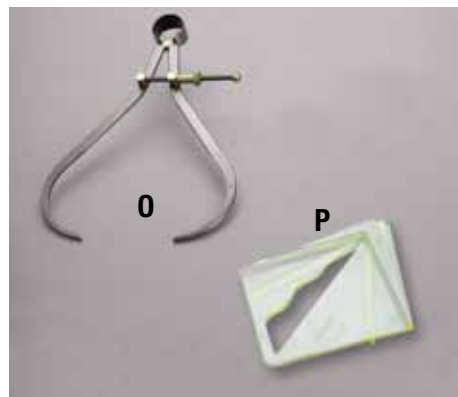
– Four-spur Center "drives" your workpiece during lathe operations. Just use a mallet to drive the spurs into the center-point of your stock and attach it to the MARK V spindle with a single setscrew. Standard with MARK V.

**505715** Lathe Drive Center **\$29.99**

#### H. Lathe Cup Center supports non-driven end of spindles while turning

– Designed for use on the Shopsmith MARK V or any tailstock having a #2 Morse Taper. Allows workpiece to spin freely when powered by the Drive Center. Standard with MARK V.

**505716** Lathe Cup Center **\$18.47**



**I. Lathe Live Center eliminates workpiece burning** – Friction-free, ball bearing construction allows the tip to rotate freely without the need for beeswax or similar lubricants. Fits any #2 Morse Taper Tailstock.

**505602** Tailstock Live Center **\$41.99**

**J. Lathe Screw Center is ideal for small turnings** – Especially designed for turning small diameter workpieces from 1" to 5" long without using a Tailstock Center.

**505601** Lathe Screw Center **\$24.57**

#### Lathe Faceplates provide wobble-free support for turning bowls, etc.

Feature multiple holes for mounting different sized turning blanks. Mount to MARK V or any 5/8" diameter spindle with single setscrew.

**K. 505590** 3 3/4" Faceplate **\$24.99**

**L. 505591** 6" Dia. Faceplate **\$31.99**

#### M. Tailstock Chuck Arbor lets you center-drill turned spindles

– Use for center drilling lamp standards and the ends of workpieces mounted to the MARK V's driven spindle. #2 Morse Taper end slips into MARK V's Lathe Tailstock. Drill Chuck mounts on opposite end.

**505603** Tailstock Chuck Arbor **\$20.78**

#### N. Double-Stick Tape holds small diameter turnings to your Shopsmith Faceplates

This special, 1" wide, high-adhesion tape has amazing gripping power!

**Caution:** Always use a clamp or vise to apply sufficient pressure to ensure a good bond between the Faceplate and the workpiece. Do not turn an excessively long workpiece or one that is more than 1 1/2 times the diameter of the Faceplate. Failure to ensure a good bond or turning a workpiece that's too large could result in personal injury.

**755007** Double-Stick Tape **\$10.43**

#### O. Outside Caliper is a real must for lathe turners

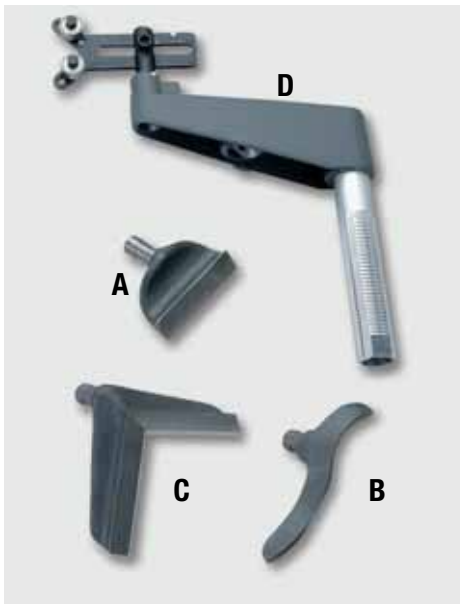
– Use for duplicating measured spindle cuts and gauging the thickness of bowl walls.

**730221** Outside Caliper **\$23.09**

**P. Precision tool locates the exact center of turning stock in seconds** – Works with round, square, hexagonal or octagonal stock. Center cutout allows marking.

**731195** Center Finder **\$11.06**

# Enjoy better Chisel control and results with these Specialty Tool Rests



**Includes:** A. 4" Tool Rest, B. "S"-Shaped Tool Rest and C. 90° Tool Rest, at right. All will fit any tool rest supports having a 3/4" post.

**555315** Specialty Tool Rest Package **\$81.05**  
**YOU SAVE \$5.34**

## A. 4" Lathe Tool Rest is great for smaller turning jobs

Get in closer to deep coves on spindles or bowls and to reach farther into bowls when hollowing.

**555314** 4" Lathe Tool Rest **\$23.51**

## B. Better bowls with S-Shaped Tool Rest

Lets you reach up to 4" deep into a bowl, while conforming to a typical inside shape. 6" long, heavy-duty cast iron.

**555312** Bowl Tool Rest **\$34.19**

## C. 90° Tool Rest for faceplate turnings

Perfect for turning bowls, goblets, vases and projects where you make flowing, continuous cuts from outside surfaces to inside surfaces.

**555313** 90° Tool Rest **\$28.69**

## D. Lathe Steady Rest for added stability

Reduce whip, chatter and possible stock breakage when turning long spindles or thin diameter stock. Accepts stock from 3/16" to 3 1/2" diameter. Ball bearing construction.

**555280** Lathe Steady Rest **\$85.04**



## Specialty Lathe Chisel Sets for Spindle, Bowl and Small Hollow Turning

Lathe Chisel Sets allow greater flexibility in your turning projects. They are made from high-speed steel, have seasoned Ash handles, contoured to fit comfortably in the hand, and give the correct balance to the woodturner.



*Bowl Turning Set*



*Miniature Hollow Forming Set*



*Pen Turning Set*

## 6-Piece Spindle Turning Set

This set of six tools embodies all of the essential tools required for between center work. This set includes a 3/4" Roughing Out Gouge, a 3/8" Spindle Gouge, a 1" Oval Skew Chisel, a 1/2" Roundnose Scraper, a 3/16" Parting Tool, and a 3/8" Bedan.

**518734** Spindle Turning Tool Set **\$157.49**

## 4-Piece Bowl Turning Set

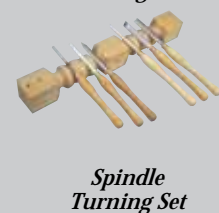
Made to the same specifications and materials as the Spindle Turning Set above, this essential set of four tools is required to turn bowls. Includes a 3/8" Bowl Gouge, a 1/2" Bowl Gouge, a 1" Shear Scraper, and a 1 1/4" Bowl Scraper.

**518733** Bowl Turning Tool Set **\$139.33**

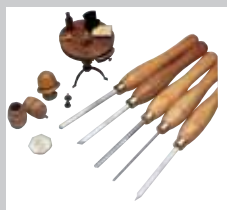
## Miniature Hollow Forming Set

The perfect set for turning small bowls and hollow pieces.

**518823** Miniature Hollow Form Tool Set **\$65.76**



*Spindle Turning Set*



*Wood Turning Mini Set*

## Pen Turning Set

This 3-piece set is ideal for the serious pen turner. The continental shape 1/2" Roughing Out Gouge is made from high-speed steel. Also included is the new, innovative 1/4" mini 9-in-1 tool and a 1/16" Parting Tool.

**518908** Pen Turning Set **\$46.17**

## Wood Turning Mini Set

This handy 5-piece set is ideal for lace bobbins, miniature turning, chess pieces, and other small items where large tools may get in the way.

This set includes a 1/4" Mini Roughing Gouge, a 1/8" Mini Roughing Gouge, a Mini Roundnose, Mini Skew and Mini Parting Tool.

**518840** Wood Turning Mini Set **\$82.72**

# Massive, 35-pound Universal Lathe Tool Rest will do more to improve your turning results than any other lathe tool



Reaches around the back side of faceplate turnings with ease (right top), and provides up close support, deep inside the deepest bowls (right bottom).

Shopsmith's new Universal Lathe Tool Rest is the most stable, most versatile lathe tool rest you'll find anywhere – *period!* Its unique "triple-jointed" design lets you swing the arm and support in any direction to position your tool rest deep within the deepest bowls, vases or goblets.

This heavy, cast iron Tool Rest System gives you all the solid lathe tool support and "reach" you'll ever need. You'll quickly "hog-out" huge amounts of waste or delicately produce intricate designs with equal ease and assured super-smooth results every time.

No more annoying vibrations, chatter or tool rest flexing. Whether you're turning with a faceplate, chuck or between centers, the added mass and adjustment flexibility of this System will make a big difference in your turning results from now on.

## Easy to attach and easier to use

Simply remove your MARK V's Work Table from the Table Carriage, set the 10" diameter by 1" thick cast iron Mounting Plate on top of the Carriage, tighten the two bolts and go to work.

A quick twist of the locking lever loosens the 18 1/4" long Support Base Arm. Rotate it a full 360°, move it left or right and lock it firmly at any point along its 7 3/8" of travel.

Slip the rotating Tool Support Arm into the Support Base Arm and lock it into position with another quick-acting lever. The rugged 1" dia. steel post in the Support Arm gives you a full 2 1/8" of up-down travel, allowing you to position Shopsmith's standard Tool Rest from 1/2" below to 1 1/2" above your workpiece centerline. An adjustable stop collar and height setscrew lets



you return to a pre-set height instantly. Any of the four available Shopsmith Tool Rests (or our Lathe Steady Rest) lock into the Tool Support Arm with a convenient third lever.

## This revolutionary System gives everything you need to achieve improved results

You'll get the 10" diameter by 1" thick Mounting Base with precision machined Support Base bearing surfaces; the rigid, 18 1/4" x 1 3/8" x 2 1/2" Support Base Arm with a 7 3/8" travel slot for wide-ranging adjustments; the 4 3/8" x 1 1/2" steel Tool Support Arm with 1" diameter steel mounting post and adjustable depth-stop collar; three Locking Levers for quick adjustments; and all necessary mounting hardware. Fits MARK V Models 500, 505, 510 and 520.

**555811 Universal Lathe Rest System \$198.44**

## All-Inclusive Lathe Tool Rest Package

**Includes:** A. Universal Lathe Tool Rest System (555811)

B. S-Shaped Lathe Tool Rest (555312)

C. 90° Lathe Tool Rest (555313)

D. 4" Lathe Tool Rest (555314)

See Page 79 Total Value: \$284.83

**555868 All Inclusive Lathe Tool Rest Package \$253.56**

**YOU SAVE \$31.27**

## Tool Rest Upgrade Kit

### Adjusts quickly without an Allen wrench

All-new design lets you adjust the position of your lathe tool rest as the turning material profile changes. All adjustments are accomplished by hand-operated Levers that pivot and swing to where you need them. This upgrade is particularly helpful for bowl turners.



**Upgrade Kit includes:** Tool Rest Arm, set-screw, Upper and Lower Levers, warning label and instruction sheet.

**521765 Lathe Tool Rest Upgrade Kit \$23.89**



For Model 500 – Arm not included.

**514264 Lathe Tool Rest Upgrade Kit \$38.05**



For Models 505, 510 & 520

## Non-toxic finishes for toys and eating utensils

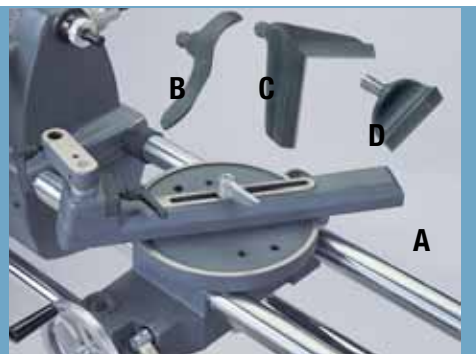


**Salad Bowl Finish** is non-toxic and designed primarily for wooden items that come in regular contact with food and food products. It has been designed to produce a harder finish than Preserve. Can be buffed to a high-gloss finish and is dishwasher safe (16 ounces).

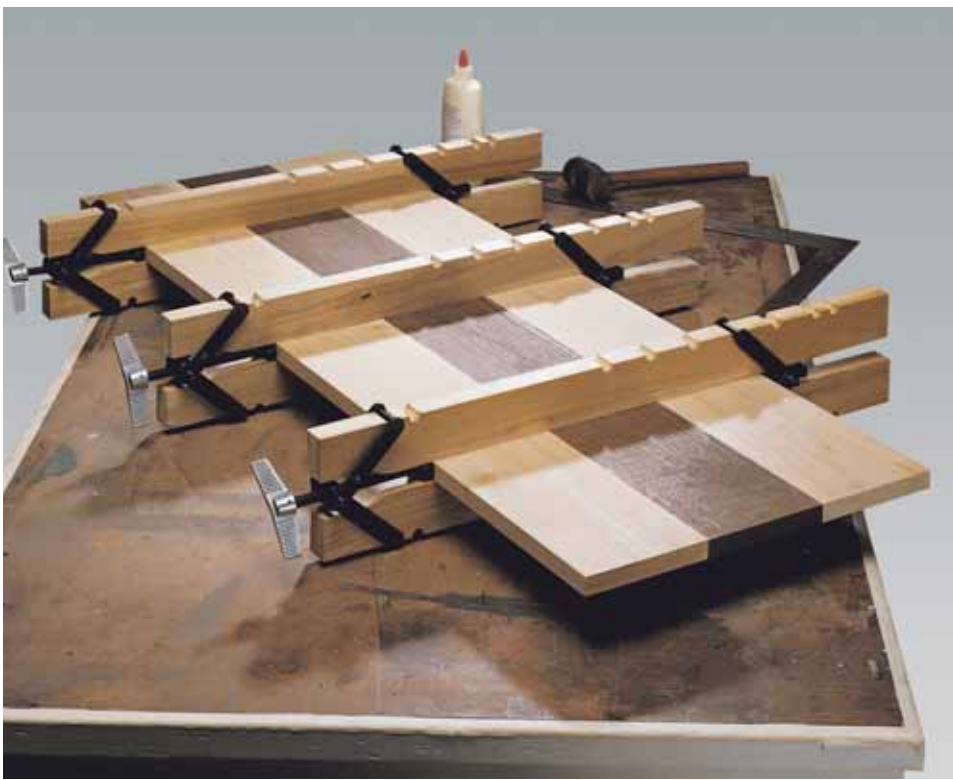
**Preserve** is a non-toxic finish containing a rare blend of oils extracted from the meats of exotic nuts. It penetrates deeply into the fibers of woods to keep the juices and odors of foods from ruining wooden items used in the kitchen. Leaves a soft feel and luster (8 ounces).

**945402 Salad Bowl Finish \$10.49**

**521246 Preserve Oil Finish \$10.49**



**Lathe Chuck Systems**  
**Attach and detach turnings much faster and more conveniently**

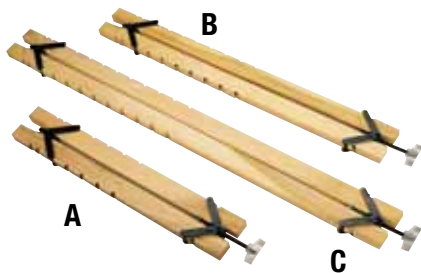


**Put the two-way-squeeze on large assembled panels with our Double Bar Clamps and get a flat, tight glue-up every time!**

Whenever you're making those really big projects – table tops, doors, countertops, desks, cabinets, shelving, or any other job requiring gluing two or more pieces of stock together you need our Double Bar Clamps. There just isn't any better way to keep your long stock from bowing – the major problem with these workpieces.

The bars of these unique clamps are made from the highest quality hardwoods. Each bar is professionally milled to provide superior clamping on a full range of widths. When gluing pieces edge-to-edge, these clamps apply pressure from the sides, top and bottom simultaneously.

**Dual clamping action**



The secret to the special dual channel clamping action is the ingenious **curved radius of each hardwood bar**. This precision cut radius distributes pressure equally over the entire width of the project. No other clamp works with this level of precision. Your workpiece glues up evenly and tightly – eliminating the need for tedious

surface sanding or planing. By using our Double Bar Clamps, you'll end up with a project you'll be proud to have in your home.

Each clamp is fully adjustable to varying lengths of stock for a wide variety of wood-working projects. Even smaller projects have a better chance of turning out the way you want them to ... when you have these Double Bar Clamps in your bag of workshop tricks.

**Simple to use**

Simply place your glued pieces between the wood bars and hand tighten the wing nut. The Double Bar Clamps go to work, applying pressure along the length of the glued pieces. The pressure is firm and uniform as the clamps grip the work.

**A. 555162 24" Clamp \$57.84**  
*10" minimum width*

**B. 555163 36" Clamp \$69.39**  
*15 1/4" minimum width*

**C. 555164 48" Clamp \$77.19**  
*22 1/2" minimum width*

**555800 24" Clamp \$156.94**  
*Set of three*  
**YOU SAVE \$16.58**

**555801 36" Clamp \$176.79**  
*Set of three*  
**YOU SAVE \$31.38**

**555802 48" Clamp \$188.99**  
*Set of three*  
**YOU SAVE \$42.58**

**E. Light weight Cam Clamps are real work savers** – These European-style Cam Clamps feature hardwood jaws with protective cork faces. Sliding freely along rigid, lightweight steel bars, the jaws lock firmly in position with up to 300 lbs. of clamping force with a quick flip of the wooden cam lever. Sizes indicated below are jaw length x bar length.

**518506 4 1/2" x 16" Cam Clamp \$17.59**



**3-Way Clamps help you attach veneer tapes and decorative edging to shelves, cabinets, etc.**



Two adjustable, opposing jaws open to a full 2½" and a third jaw can be centered over any edge with up to 2" of throat depth. Buy them in sets of four at a nice savings.

- 742031** 3-Way Edging Clamp **\$10.99**
  - 555803** Set of four 3-Way Edging Clamps **\$37.49**
- YOU SAVE \$6.47**

**24" Magnetic Tool Bar holds 20 lbs. of tools per running inch!**



Hammers, ratchets, open end wrenches, chisels, pliers – this bar will hold them all without dropping. Made of heavy-gauge enameled steel. Measures 24" x 13/16" x 1/8" with two welded-on hanging brackets, spaced 16" on centers to line up with wall studs. Screws included.

- 942101** Magnetic Tool Bar **\$22.04**

**The world's most versatile Shop Apron!**

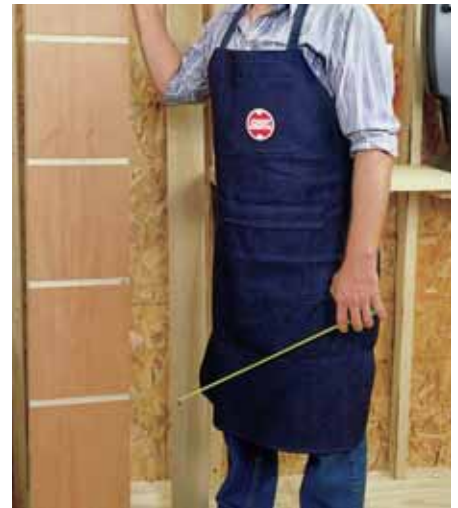


This 100% fully washable cotton-canvas Shop Apron is the most versatile apron available today. Made in the USA, the slip-over design has fully adjustable 1" wide nylon web shoulder straps, and an adjustable (to 52" waist) 1½" wide nylon web belt with a quick release buckle.

This unique apron has 20 variable-sized pockets from a pocket for your pencil to a huge 6¼" square, plus two rugged, 1½" wide nylon web tool loops.

- 521802** World's Most Versatile Shop Apron **\$44.28**

**Budget-priced blue denim Apron protects your clothes and carries your tools, too**



Full-length, 28" x 36" washable denim shop apron. Navy blue with a red Shopsmith logo. The big 15" x 6" covered pocket holds tools.

- 555208** Shopsmith Apron **\$17.42**



*I really love the quality you folks build into your equipment.*

*~ G. Randal, South Harswell, ME*

## Protect and maintain your valuable tool investment with these *Be Prepared* products



### Be ready for lost parts and minor problems with the *Help Kit*

Over 60 pieces, including the most frequently lost setscrews plus lubricants, shop rags and the following: 5/32" Allen wrench; (18) assorted shims; (20) 5/16"-18 x 1/4" setscrews; (6) 5/16"-18 by 3/8" setscrews; (2) tapered, 5/16"-18 Miter Gauge Bar setscrews; (5) straight, 5/16"-18 setscrews; (5) flat-head Table Insert setscrews; (1) 1/4"-20 Round head setscrews; 5.5 oz. aerosol, Top-Cote; pocket oiler; (2) shop rags; MARK V Alignment and Instruction Manual.

- A. 515325** Shopsmith Help Kit **\$34.70**
- B. 942328** 5/32" T-handle Hex Wrench **\$5.76**

### Touch-Up Paint

Shopsmith matching touch-up paint (12 oz.) keeps your Shopsmith tools looking like new.

- C. 522142** Shopsmith Gray (For machines purchased after 10/01/01)

**505706** Shopsmith Gray (For machines purchased prior to 10/01/01)

**555751** Shopsmith Black

**555752** Shopsmith Teal (For Scroll Saw)

**\$11.54 Each**

### Pocket Oiler

Fits in your pocket – and into close areas – so you can oil anytime, anywhere!

- D. 517429** Pocket Oiler **\$3.74**

### Protect your valuable steel tools from rust with Silica Gel Packets

- 5256206** Silica Gel Packets (Set of 6) **\$10.37**

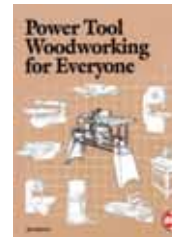
### Information-packed, 10 lesson course



Beginners and experienced woodworkers alike will quickly find their own starting points ... then advance at a chosen pace toward the level they want to achieve ... creating wonderful projects for family and friends along the way.

- 505717** MARK V Self-Study Course **\$90.68**

### Update your MARK V skills



The 4th edition of Shopsmith's own 325-page hardbound book is a "powerhouse" of woodworking knowledge.

*Power Tool Woodworking for Everyone* includes **new** chapters on accessories and updates on all other chapters. It includes a host of troubleshooting charts, conversion tables and lots more.

- 555069** Power Tool Woodworking for Everyone **\$39.13**

### Dri-Cote® Sealants and Lubricants



**Glide-Cote** seals and protects machine tabletops from rust and corrosion. Low-friction, durable coating repels dirt and moisture. No fluorocarbon or silicone. Dries rapidly.

- 942204** Glide-Cote Sealant **\$15.11**  
10.75 ounces



**Dri-Cote®** preserves tool surfaces by sealing out moisture. Reduces friction on cutting tools, protecting them from corrosion and resin build-up. Great on table saw and bandsaw blades, router and drill bits.

- 942203** Dri-Cote Lubricant **\$15.11**  
10.75 ounces



**Dri-Cote®** Bearing Lubricant protects even the smallest bearings. Ideal for rub collar and router bit bearings. Lubricates and protects. Environmentally safe.

- 942202** Dri-Cote Bearing Lubricant **\$10.49**  
5.5 ounces

**Sliding Bevel helps you measure and duplicate angles**

Great for setting table, radial arm or circular saw angles for moldings and more. Also used for measuring angles (with the aid of a protractor). A quick flip of the brass lever locks the setting firmly.



Features an attractive handle with brass at all wear points.

**518957 Sliding Bevel \$17.59**

**Direct-reading Gauge takes the guesswork out of measuring the thickness of lumber or turnings**

This inexpensive aluminum gauge offers the perfect way to check the thickness



of lumber you may be buying, workpieces you may be planing, or bowls or similar projects you may be turning on the lathe. Just slip the curved jaws over the item to be measured and read the thickness from 1/32" to 2" (0 to 55mm) on the dial.

**518991 Thickness Gauge \$10.99**

**Affordable 6" Digital Dial Caliper measures in thousandths & millimeters**

Here's a fast-reading, digital caliper that's loaded with great features plus, represents an outstanding value that's tough to beat.



Made of rugged, hardened stainless steel, it will measure inside dimensions, outside dimensions and depths at a glance, and report to you in your choice of thousandths or millimeters.

Features switchable inch/millimeter selection; on/off switch; zeroing button; easy head locking mechanism; and a replaceable battery.

**556020 6" Dial Caliper \$22.99**



**Mite-R-Gauge measures and transfers odd angles with 1/2° precision**



The measuring and setting of precise angles is extremely important in woodworking. Triangles are ideal for most

applications, but they will not do for many "odd" angles.

The Mite-R-Gauge Protractor/Bevel features long legs with direct-reading protractor scales that make easy work of this otherwise difficult job and allows you to measure and read the angle in a single step ... within 1/2 degree.

Once the angle is set, a quick twist of the knob locks the gauge in position for transferring to your table saw or other machine.

**730342 Mite-R-Gauge Protractor/Bevel \$21.99**

**Easily plot angles to within 1/2° accuracy with this 6" Precision Marking Protractor**

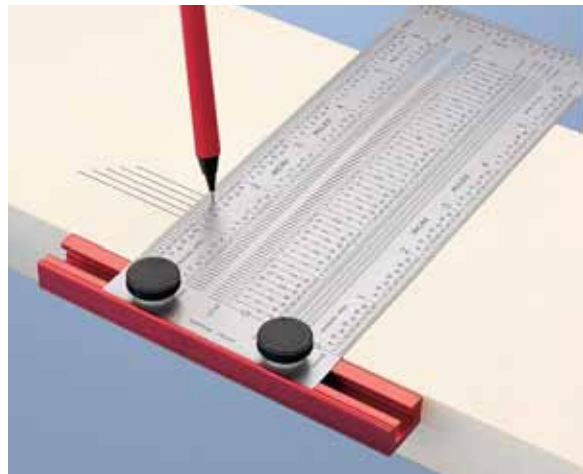


This 21st century Marking Protractor has micro-fine guide holes at every 45°, 30° 22.5°, 5°, 1° and 0.5°

interval to plot any angle with ease and absolute accuracy. A metal T-Bar and see-through crosshairs provide exact alignment against the edge of your workpiece. Remove the T-Bar to work on flat surfaces. Contains four angle scales: 0° left to 180° right, 180° left to 0° right, 0° top to 90° left and right, and 90° top to 0° left and right suits every need. It's easy on the eyes, incredibly accurate, and just plain fun to use!

**522172 6" Inkra Precision Marking Protractor \$31.39**  
*(Calibrated to 1/2° & 1/32")*

**Revolutionary, zero-error Steel Rule ensures that your measurements are dead on-the-money – every time!**



**Drop a pencil point or scribe through the Micro-fine hole or slot for your measurement and mark it. Precisely!**

Easy-to-use, versatile and precise are the words that best describe the Inkra T-Rule. Micro-fine marking holes and slots at every 1/16", 1/32" and 1/64" scale position instantly locate your sharp pencil or scribe at the exact measurement with zero uncertainty and no eye strain! This guarantees that the precision built into the Inkra T-Rule actually shows up in your finished work. Comes in 6" and 12" lengths.

**522174 6" Inkra Precision T-Rule \$20.99**  
*Calibrated to 1/64"*

**522173 12" Inkra Precision T-Rule \$36.69**  
*Calibrated to 1/64"*

## Oriental Miter Square



It's set at a 45° angle for a lifetime of precision when measuring miters for picture frames, cabinetmaking, and other applications. The wide stainless steel marking edge can be flipped over to scribe a line up to 4½" long by marking from both sides of your workpiece.

**730486** Oriental Miter Square **\$14.99**

## Enjoy precision and accuracy with an all-steel Square

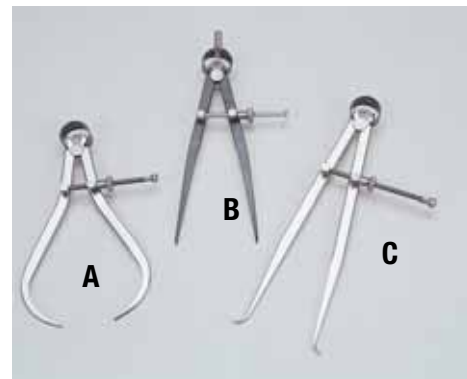


Made of superior grade steel, these Squares are permanently set at a 90° angle and remain unaffected by climatic changes. Available in a 6" length, they're perfect for machine setup, as well as hand tool operations.

We recommend these all steel Squares for those projects where precision is a must.

**730343A** 6" Engineer's Square **\$21.99**

## Steel Spring Calipers are a necessity for accurate lathe and layout work



With hardened fulcrum springs and tips, the 8" inside caliper and 6" outside caliper are just the ticket for measuring spindle or faceplate turnings on the lathe, dowels, hole diameters, nut and bolt sizes and lots more.

The 6" divider features sharpened tips for taking accurate measurements or scribing circles or arcs from "0" to 6½". The 6" outside caliper measures from "0" to 6¼", while the 8" inside caliper measures from 7/8" to 9¼".

Available individually or in a set of three at a very attractive savings.

**A. 521929** 6" Outside Caliper **\$12.39**

**B. 521930** 6" Divider **\$12.39**

**C. 521931** 8" Inside Caliper **\$13.39**

**Buy all three and save!**

**521932** 3-Pc. Caliper Package **\$31.49**

*Includes all three calipers above*

**YOU SAVE \$6.68**

## Center-Finding Rule takes the guess-work out of finding workpiece centers



This 18" flexible rule helps you determine the center of triangular, rectangular, circular or any odd shaped workpiece. No more fumbling with tape measures or homemade center-finding gadgets. Measuring 0" to 9" in both directions, this tempered aluminum layout tool is graduated in 16ths and 32nds of an inch.

**730489** Center-Finding Rule **\$10.99**

## Miscellaneous Shopsmith Accessories

### Table Height Adjustable Stop Collars – for consistent accuracy



Use the Adjustable Stop Collar to set incremental table height adjustments (1 turn = 1/16") for Dado cuts, Tenons, Molding head cuts, finger Joints, saw blade height and shaping.

You can also use them to set extension tables, moving your fence in relation to the quill in the drill press position, Special Purpose Tool alignments, plus routing while using the Speed Increaser.

**555937** Adjustable Stop Collar **\$29.99**

### Cover protects your MARK V from condensation and rust



This rugged, cotton/polyester cover is custom-sewn to the shape of your Shopsmith MARK V. The special urethane coating repels moisture while a unique perforation process allows any moisture that might get in from below to escape, preventing rust and corrosion.

**515306** MARK V Cover **\$40.94**  
*Models 500, 505, 510 & 520*

### DC3300 Handle Retro-Fit Kit



#### For Dust Collectors made prior to May 2000

This inexpensive, simple-to-install kit lets you attach an additional Handle to the top of the 3-Way Inlet on your DC3300 for convenience when moving it around the shop.

The Kit includes the handle, two screws and a template for marking pilot hole positions. You'll need a center punch, a 5/32" drill bit and a Phillips screwdriver to do the job. Takes about 5 minutes.

**521769** DC3300 Handle **\$15.87**

**UPGRADE** Retrofit Kit

### Mobile Base brings portability to machines and work tables



Store machines and work tables out of the way until needed ... then roll them out to go to work.

Base is adjustable in 1" increments from a 12" x 12" square to a 36" square or a 20" x 52" rectangle. Four wheel design features 3" diameter locking wheels and adjustable rubber leveling feet. Supports up to 400 pounds. Made in the USA. Lifetime warranty.

**521718** Universal Mobile Base **\$83.99**

### Flush-cut Saw won't mar workpiece surfaces



Use it to cut off dowels, tenons and similar protrusions without fear of marring surfaces.

Super-thin, 6" long blade has 19 teeth-per-inch with no set. 12" long overall.

**521933** Japanese Flush-Cut Saw **\$13.99**

### Rawhide Mallet won't damage lathe centers or chisel handles



Avoid damaging your tools and your projects. The tough, non-marring rawhide head is 4" long x 2" diameter. Perfect for setting Lathe Drive Centers and a host of other jobs.

**730271** Rawhide Mallet **\$27.59**



*After retiring, I began thinking of woodworking as a hobby. I purchased a MARK V and have since added a*

*Bandsaw, Jointer, Planer, Jig Saw and a Scroll Saw. With these tools, I have made many woodcraft projects for my grandchildren.*

*~ Walter Manner, Millstadt, IL*

### 4-In-1 Razor Saw is perfect for working on small projects



The comfortable wooden handle on this special Razor Saw Set holds a nest of four interchangeable steel blades that can be attached and removed with a single wing nut. Ideal for all types of work where precision is important.

#### Includes the following four blades:

	Length	Depth of Cut	T.P.I.	Thickness
Back Saw	5 1/2"	1 13/16"	32	.010"
Back Saw	4 1/2"	13/32"	52	.008"
Keyhole	1 3/8"	2 1/4"	24	.022"
Push Keyhole	3/8"	4 1/2"	24	.022"

**521810** 4-In-1 Razor Saw **\$13.59**

### Radis-Plane softens edges



This clever little plane is the perfect choice for rounding over sharp project edges for reasons of safety, appearance or, in the case of cabinet doors, for a better, more professional looking fit. The radius can be adjusted from 1/16" to 1/4" on any edge. The first of two cutters makes the initial cut, while the second cleans a perfect radius.

Includes the Radius Blade Set (a Straight Blade Set is available for creating chamfered edges). Maple body with a brass soleplate.

**735000** Radis-Plane with Radius Blade **\$26.19**

**735050** Replacement Radius Blade Set **\$8.39**

**735051** Straight Blade Set **\$8.39**  
*For chamfering*



## Router Dovetail Fixture makes perfect half-blind dovetails and box joints

Just mount your router to the special base, clamp your mating workpieces into the guide comb and go to work. Makes 1/2" half-blind dovetails and splicing dovetails (joining two boards end-to-end), as well as 3/8" box joints. Will not cut through dovetails. Includes step-by-step instructions for use. Bits ordered separately below. Made in Germany.



<b>720428</b>	Router Dovetail Fixture	<b>\$62.99</b>
<b>521873</b>	1/2" Dovetail Router Bit	<b>\$10.49</b>
<b>521874</b>	3/8" Straight Router Box Joint Bit	<b>\$10.49</b>

## Spring-loaded Chisel squares routed corners for hinge mortises and more

Just drop the self-aligning chisel into the rounded corner of any mortise or recess made by a router bit (such as the rabbet in the back of a picture frame) and strike it with a hammer to transform the mortise into a perfect 90° corner in a single whack. No measuring. No mistakes.



**518982** Router Corner Chisel **\$16.59**

## Multipurpose Saw Aid® works seven ways to improve your safety and precision as a ...



**Safety Push Stick...** with a comfortable handle to keep you out of harm's way.  
**Angle Gauge...** that measures and marks 30°, 45°, 60° and 90° angles.  
**6" Hook Rule...** measures lengths from edges.  
**9" Rule...** for taking quick measurements.  
**Center-Finder...** for marking centers of dowels and lathe spindles.  
**90° Square...** for checking joints or machine set-ups.

**521845** Saw Aid **\$16.54**

## Horsehair Bench Brush removes sawdust and chips



**Horsehair Bench Brush** has been the choice of woodworkers and other craftsmen for generations. 13" long with 2 1/8" long genuine Horsehair bristles.

**753118** Horsehair Bench Brush **\$13.69**

## Rout or sand without clamping using the Router Master Mat



This 24" x 36" mat holds your workpiece in position without sliding or moving as you rout. Rolls up for storage.

**712001** Router Master Mat **\$10.99**

## Handy Gauge helps you set router bit depths accurately



A dado or groove that's too deep can jeopardize the strength and ruin the appearance of a joint. This handy gauge eliminates these problems by providing accurate settings in an instant.

Just rest the gauge's feet on your router's base or your router table insert and move the appropriate notch over the tip of your bit to make your setting. Graduated in 1/16" increments from 1/8" to 1". Can also be used to set saw blade depths up to 1".

**521939** Router Bit Depth Gauge **\$8.39**

## Minwax® Paste Finishing Wax coats and protects your power tool surfaces

Just apply a thin coat of the premium-quality wax to the exposed metal surfaces of your MARK V or Special Purpose Tools to protect against rust and corrosion.



It provides an *easy-glide*, virtually friction-free surface for work tables, rip fences and similar work-guiding surfaces. 16 oz. can.

**522454** Minwax® Paste Wax **\$9.99**

# Project Plans / Hands-On CD's

## Order individually, or purchase them by the set and SAVE!



### 522089 Hands-On CD Vol. 1 \$31.99

Three part series on the Grandfather Clock Project, plus six other projects: Gumball Machine, Dancing Duck Puppet, Toy Crane, Chess Set, Porch Swing, and the Kite String Winder.

### 522090 Hands-On CD Vol. 2 \$14.95\*

Roll-around Barbecue Cart, Patio/Deck Table, & the Pecking Chickens.

### 522091 Hands-On CD Vol. 3 \$14.95\*

Curio Cabinet, Pot-Holding Garden Planter, and Kitchen Pasta Tools.

### 522092 Hands-On CD Vol. 4 \$14.95\*

Butcher Block/Microwave Oven Table, Gourmet Bird Feeder, and Interlocking Play Logs.

### 522093 Hands-On CD Vol. 5 \$14.95\*

Dry Sink, Hanging Wall Clock, and Child's Pounding Bench and Wooden Top.

### 522094 Hands-On CD Vol. 6 \$14.95\*

Classic Rocking Horse, Child's Chalkboard, Wine Rack and Desktop Bookshelf.

### 522095 Hands-On CD Vol. 7 \$14.95\*

9-Drawer Woodshop Toolbox, Child's Desk and Chairs, Candle Sconce and Desktop Pencil Holder.

### 522096 Hands-On CD Vol. 8 \$14.95\*

Garden Bench, Wren and Bluebird Birdhouse, and a Tapered Planter Box.

### 522181 Hands-On CD Vol. 9 \$14.95\*

Tall Bookshelf, Folding Party Trays, Mug Holder, Shelf, Baseball Equipment Holder.

### 522182 Hands-On CD Vol. 10 \$14.95\*

Four Poster Bed, Sunshade Sandbox, and Paper Towel Holder with Secret Compartment.

### 522183 Hands-On CD Vol. 11 \$14.95\*

Toy Train, Toy Puzzles, Cold Plant Frame and Kitchen Helpers.

### 522418 Hands-On CD Vol. 12 \$14.95\*

Pembroke Table, Cheval Mirror, Child's Sled and Climbing Bear.

### 522419 Hands-On CD Vol. 13 \$14.95\*

Classic Rolltop Desk - Pt. 1, 16-Drawer Apothecary Chest and Letter Box.

### 522420 Hands-On CD Vol. 14 \$14.95\*

Classic Rolltop Desk - Pt. 2, Keyed Corner Jewelry Box and Colonial Spice Cabinet.

### 522421 Hands-On CD Vol. 15 \$14.95\*

Wall-Hung Curio Cabinet, Mobile Potting Table and Pencil/Stamp Holder.

### 522422 Hands-On CD Vol. 16 \$14.95\*

Knock-Down/Store-Away Table, Home Shop Workbench, Rolling Pin and Dried Flower Vase.

### 522423 Hands-On CD Vol. 17 \$14.95\*

Queen Anne Living Room Tables, Covered Wagon Toy Box and Tilting Shelf Sewing Thread Holder.

### 522424 Hands-On CD Vol. 18 \$14.95\*

California Dream Toys, Mantel Clock and Christmas Tree Ornaments.

### 522425 Hands-On CD Vol. 19 \$14.95\*

Designing, Remodeling & Creating a New Kitchen Pt. 1, Wooden Utensil Rack & Knife Block/Cutting Board, and Gallery Rail Paper-Towel Holder.

### 522426 Hands-On CD Vol. 20 \$14.95\*

Strip Laminate Bending, Turned Hall Tree and Two Great Kitchen Gift Items.

### 522427 Hands-On CD Vol. 21 \$14.95\*

Hanging Glass Door Cabinets, Outdoor Duckboards and Adjustable Plant Shelf.

### 522428 Hands-On CD Vol. 22 \$14.95\*

Antique Quilt Display Rack, Heart-Shaped Display Stand and Duck Napkin Holder.

### 522429 Hands-On CD Vol. 23 \$14.95\*

Living Room Sofa Table, Hob Hill Cable Car and Two Shelf Telephone Stand/Side Table.

### 522430 Hands-On CD Vol. 24 \$14.95\*

Poor Man's Hall Butler, Holiday Hurricane Lamp and Old-Fashioned Toy Cars.

### 522488 Hands-On CD Vol. 25 \$14.95\*

A Gift For Your Kitchen, Outdoor Deck Chair and Bandsaw Boxes.

### 522489 Hands-On CD Vol. 26 \$14.95\*

Sheltered Swing, Turn-Of-The-Century Medicine Cabinet and Puzzle Power.

### 522490 Hands-On CD Vol. 27 \$14.95\*

English Flip-Top Chair/Table, Oval Magazine Rack and Laminated Wooden Domino Set.

### 522491 Hands-On CD Vol. 28 \$14.95\*

Heirloom Cradle, Spirit of St. Louis Airplane and All-Purpose Wooden Boxes.

### 522492 Hands-On CD Vol. 29 \$14.95\*

9-Drawer Tabletop Storage Chest, Flying Tiger Toy Airplane, Vertical Paper Towel Holder and Bread-Shaped Cutting & Cheese Boards.

### 522493 Hands-On CD Vol. 30 \$14.95\*

Pendulum Cradle, Candle Stand, Pull-Along Dog and Salt & Pepper Shakers.

### 522494 Hands-On CD Vol. 31 \$14.95\*

Adjustable Shelf Bookcase, Nesting Tables, Lantern Holder and Toy Top.

### 522495 Hands-On CD Vol. 32 \$14.95\*

Porch Railings & Spindles, Heart-Shaped Three Tier Stand and Oval Picture Frame with Router Arm.

### 522496 Hands-On CD Vol. 33 \$14.95\*

Entrance To Your Home, Rotating Bench-Top Storage Unit and Kite String Winder.

### 522497 Hands-On CD Vol. 34 \$14.95\*

Gateleg Table Plan, All-American Picnic Table and Slanted Gourmet Knife Block.

### 555917 Hands On! \$108.25 CD-ROM Package

Hands-On CD Volumes 2 thru 11, 44 Projects in all - valued at \$141.89  
**Receive Volume 1 FREE.**

### 555996 Hands-On \$108.25 CD-ROM Package

Hands-On CD Volumes 12 thru 24, 39 Projects in all. Valued at \$142.87

### Our most popular woodworking projects ALL on one CD

### 522465 20 Great Gift Projects \$19.95

From Volumes 6, 11, and 18. Includes easy-to-follow instructions for 20 of our most popular projects, from toys ... to furniture ... to kitchen accessories ... to craft projects, and much more.

### 522468 12 Outdoor Projects \$19.95

From Volumes 2, 8, and 21. Includes easy-to-follow instructions for 12 of our most popular outdoor projects, from furniture ... to bird houses ... to cabinets and planters, and much more.

\*Prices include shipping and handling.

## America's favorite woodworking project plans ... for your MARK V!

Ideal for Shopsmith woodworkers of all skill levels. Many of these plans were originally designed and built on a Shopsmith MARK V. The unique "trace, saw and assemble" designs feature

simple-to-follow instructions that allow beginners to achieve professional results. Plans include patterns, material list, assembly illustrations and photos.



### Rocking Horse

Beautiful 45" high prancer rocking horse

will become a treasured heirloom. Detail plans include material list, full-size templates, exploded views, and helpful hints. A miniature version 18" high is also available.  
**803123 Rocking Horse \$10.99**  
(Standard)

### 522164 Rocking Horse \$10.99



### Planter/Bench

Planter 20 1/2" square x 17" high. Bench is 36" long x 15" wide x 17" high.  
**521693 Planter/Bench \$10.99**



### Easy Child's Glider

Swing pivots provide a motion similar to that of a

curved rocker, yet works great on carpeted floors (Ages 2 through 7).  
**516354 Easy Child's Glider \$10.99**



### Cedar Chest

A handsome and sturdy chest. Calls for cedar, but pine and oak work well. 20" tall x 48" long x 20" deep.  
**521754 Cedar Chest \$10.99**



### Wishing Well

Dress up your front yard with this 4" dia. Wishing Well. 7" tall, featuring an authentic bucket with a working windlass and crank-style handle.  
**521691 Wishing Well \$10.99**



### Birdhouse Assortment

7 plans include 4 houses & 3 feeders. Traceable pieces.  
**521748 Birdhouse Assortment \$18.79**



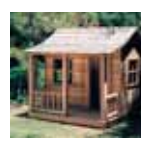
### Lighthouse

Built from a single piece of 4" x 8" plywood. 5" tall, this handsome project can be fitted with a solar-powered garden path light on top.  
**521700 Lighthouse \$10.99**



### Canopy Glider Swing

An 8" long x 6 1/2" wide x 8" high twin glider.  
**521695 Canopy Glider Swing \$10.99**



### Playhouse

Perfect hide-away for children. Full sized patterns. Measures 6" square, including porch x 6" tall.  
**521698 Playhouse \$10.99**



### Pet Bed

A fun, family weekend project for devoted pet owners. Two full pattern sizes included: 22" w x 12" h x 13 1/2" d 30" w x 14" h x 17 1/2" d.  
**522254 Pet Bed \$11.99**

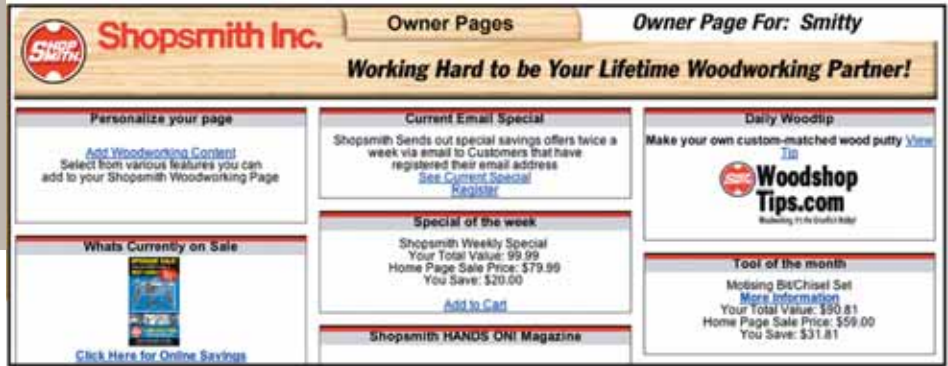


# Shopsmith's exciting, new

## Personalized Owner's Home Page

### www.shopsmith.net

Create your Personalized Home Page that you can access with a simple mouse click!



### Here's what's available at the Shopsmith Page right now:

#### Standard page components to get you off to a great start

- A Shopsmith icon that gives you immediate access to your Home Page with a click of your mouse.
- An opportunity to access Shopsmith's current email specials in their own area of your Home Page.
- A *Super Home Page Specials* area where only Personalized users qualify for big savings.
- Personalized tools and suggestions on how to make your Home Page your own.

#### Optional page components you can add where you want

- FREE Woodworking Project Plans.
- Access to Shopsmith's FREE *Woodworking Tip Of The Day*.
- A direct link to Shopsmith's online *HANDS-ON* Magazine.
- An instant-access Search Box to everything on Shopsmith's website.
- Access to view and/or download PDF copies of Shopsmith Manuals.
- Quick Access Tech Center featuring maintenance and operating tips.
- **Access to Shopsmith's exciting new Woodworking Forum.**
- Direct access to information about the status of your outstanding Shopsmith orders.

## www.shopsmith.net/forums

Ask questions and read comments from fellow Shopsmith woodworkers!



**You asked for it – it's arrived and it's FREE!**  
Sign up NOW! First come – First served!  
Don't lose the user name and password you want to someone else.

- A forum for ALL woodworkers (not just Shopsmith tool owners).
- Share woodworking tips and ideas with others having similar interests.
- Get the answers to your general woodworking questions.
- Benefit from the collective experience of thousands of woodworkers.
- Make new friends and learn new techniques.

Visit **www.shopsmith.net** & **www.shopsmith.net/forums** now and start building your own Personalized Owner's Home Page today!





## There's a lot in store for you at: [www.shopsmith.com](http://www.shopsmith.com)

The Shopsmith website is jam-packed with valuable information for owners of Shopsmith tools and equipment ...as well as anyone with an interest in setting up a MARK V-based home workshop. Split into five basic areas of information, you'll be able to quickly access:

- More information about the remarkable Shopsmith MARK V .
- Loads of great woodworking project plans and ideas.
- Hundreds of valuable, work-saving woodworking tips and techniques.
- The answers you seek to your important woodworking questions.
- A gargantuan amount of valuable information that will help you become a better woodworker – or learn more about the remarkable Shopsmith MARK V and our full range of Shopsmith Accessories.

**It's all waiting for you at: [www.shopsmith.com](http://www.shopsmith.com)**

- 1. Shopsmith MARK V Information** – Get all the MARK V information you need online or by mail. View our online schedule of live MARK V demonstrations (perhaps in your area). Learn about the woodworking hobby.
- 2. Visit HANDS-ON**, our online woodworking webzine. Get help planning your workshop. Visit the Shopsmith Woodworking Forum for the answers to your woodworking questions; sign up for FREE weekly woodworking tips; download copies of

selected Owner's Manuals, get FREE project plans and lots, lots more!

- 3. Accessory & Parts Catalogs** – Visit our online Shopsmith Accessory Catalog or ask for a mailed copy. Go to our Quick Order Form, purchase a Shopsmith Gift Card.
- 4. Current Offers & Promotions** – View the money-saving offers that are available to you right now. Order Shopsmith Tool repair parts, request a repair parts catalog, read

our service bulletins, find out where to have your Shopsmith Tools serviced and pick up valuable service tips.

- 5. About Shopsmith** – Read all about the history of Shopsmith, contact Customer Services, view our FAQ's, access important policies, employment data and contact information.

*The Shopsmith website exists for your benefit and enjoyment. We hope you enjoy its content and invite you to visit often.*



The Shopsmith National Woodworking Academy presents



# HANDS ONLINE!

Below: The Cast & Crew of Shopsmith Sawdust Sessions

## Woodworking Information for the 21-st Century

Watch tool demonstrations, explore new techniques, build amazing projects, collect professional tips and secrets, even get your personal woodworking questions answered right online! All you need is a computer and a connection to the Internet. From its webshop in Dayton, Ohio, the Shopsmith National Woodworking Academy webcasts:

- ▶ **Video Archive** – We record our *Video Tips and Sawdust Sessions*, and then archive them on our web site where you can watch them anytime you want **FREE!**
- ▶ **The Shopsmith Channel** – We webcast a woodworking channel over the Internet from [www.youtube.com/shopsmithhandsonline](http://www.youtube.com/shopsmithhandsonline), where we have posted our most popular short videos. These, too, are positively 100% **FREE!**
- ▶ **VBooks** – We build unique educational adventures around our videos, combining them with photos, illustrations, text, and plans. *VBooks* are just as easy to use as DVDs but offer so much more, letting you delve into a woodworking topic as deeply as you like.

[www.shopsmithacademy.com](http://www.shopsmithacademy.com)

**A good craftsman needs good tools and the know-how to use them.  
Only Shopsmith gives you both.**



# New from the Shopsmith National Woodworking Academy

## SHOP SMITH SAWDUST SESSIONS

on VBook™

**HANDS ONLINE! VBOOKS™** combine the excitement of live demonstration, the in-depth information of books, the visual power of video, and the experience of master craftsmen with the convenience of modern media.

Shopsmith is proud to present a whole new way of *learning* about woodworking. It's called a **VBook** (vee-book) and it combines the best of traditional and cutting-edge communication technologies.

A VBook comes on a DVD disc, but it's *so much more than a video*. It can be viewed on **computers** (with DVD drives), **mp4 players**, and most **DVR players**.

At the heart of each VBook is a unique method of presentation called a **Virtual Classroom** (shown right). It combines videos, photos, illustrations, text, and Internet resources on a single screen. You can watch and listen to a demo on a woodworking topic, study close-ups and diagrams, read professional tips and secrets, and print out shop notes and plans. **All of this in the convenience of your own home OR take it with you as a podcast!**



**How it works:**  
Each VBook disc contains HTML files with embedded videos, images, and text. You navigate from classroom to classroom and within the classrooms in your browser. No new computer programs needed; no new computer skills to learn.

### The Screen

- Plays MP4 video files of woodworking demonstrations.
- 6 to 8 videos (about 2 hours) per disc.
- Uses Quicktime™ for maximum compatibility with all browsers.
- Enlarge and reduce the sizes of the videos easily.
- Use the video index to quickly find and play specific scenes in a video.
- Download the videos to a portable MP4 player (or any device that runs mp4/acc files) and take them with you.

### The Blackboard

- Displays relevant photos and illustrations on command.
- Enlarge these images with a click of your mouse.
- Discover more information embedded in an image by moving the cursor over it to reveal hidden tags.
- Access plans, articles, lists of resources, and helpful programs with a mouse click.
- Print images, plans, and articles – or download to your MP4 player\*.

### The Notebook

- Displays the "Shop Notes" of the presenter to make it easy to follow the demonstration.
- Contains links to tools, resources, and additional information available on the Internet.
- Print a version of the notes that also includes the images from the Blackboard to take to your workshop or keep for reference.
- Download these notes to your MP4 player\* to read whenever you want.

\*To take advantage of these features, your MP4 player must be able to display .pdf files and common image files such as jpegs and gifs.

### Enjoy woodworking anywhere, anytime with Shopsmith's HANDS ONLINE! VBOOKS™ on DVD discs.

Combines the educational and entertainment benefits of video, photography, illustration, and text. Pop them in your computer or download them to your portable MP4 player.

**522537 Sawdust Session 1**, Mortising, alignment, conical sander, drill press

**\$14.95\***



Participate in a **LIVE Sawdust Session** at [www.shopsmithacademy.com](http://www.shopsmithacademy.com)!

# Product Index

Abrasive Cleaning Stick..... 16, 20, 72	Retro-Fit Kits .....25	Lathe Turning Package .....78	Router Table Featherboard .....29
Accessory Shelf .....27	Saw Guard/Systems.....25	Lathe Upgrade Kits .....80	Router Table Kit.....47
Anti-Fatigue Mat.....14	Dust Collector Utility Vacuum	Mallet, Rawhide.....87	Safety Goggles .....29
Aprons ..... 40, 83	Extension.....24	MARK V Extension Table Brackets ....37	Safety Kit.....29
Arbors .....34-35, 67, 75	Dust Covers	MARK V Lift-Assist.....28	Sanding Discs, Steel 12".....71
Auxiliary Fence Package.....18	Bandsaw .....9	MARK V Speed Chart.....31	Sanding Discs/Accessories.....71
Bandsaw, 11" .....8	Belt Sander .....16	MARK V Upgrades ..... 4-7	Saw Aid.....88
Bandsaw Blades .....10	Jointer .....18	Extension Tables.....6	Saw Blade Cleaner.....35
Bandsaw Cool Blocks.....9	MARK V .....75, 87	Pro Fence & Table Systems .... 4-6	Saw Blades & Packages.....34
Bandsaw Eccentric Tubes .....9	Planer .....22	Rip Fence.....6	Saw, Flush-Cut.....87
Bandsaw Extension Table.....9	Scroll Saw.....13	Rip Scale.....7	Scroll Saw, 20".....12
Bandsaw Fence .....9	Strip Sander .....20	Saw Guards/Systems.....6	Scroll Saw Blades .....14
Bandsaw Rip Fence, Kreg .....11	Dust Respirator..... 16, 29	Table System Retro-fit Kit.....5	Scroll Saw Casters, Free-Standing..14
Bandsaw Table Extension.....9	Dustpan .....88	Two-Bearing Quill .....6	Scroll Saw Foot Switch, Unguarded...14
Bandsaw Tire/Adhesive Kits.....9	Engineer's Square, 6".....86	Mite-R-Gauge Protractor/Bevel . 31, 85	Scroll Saw Upgrades .....13
Bandsaw Tires, Urethane .....9	Extension Tables/Kits .....30	Miter Gauge Extension, 20".....36	Saw Blade Block.....13
Bandsaw Upgrades .....11	Face Shield, Ratchet .....29	Miter Gauge Pkg./Accessories.....36	Saw Blade Change System Kit...13
Retro-Fit Dust Chute .....11	Featherboard, Rip Fence-Mount.....29	Miter Gauge Safety Grip ..... 29, 36	Self-Study Course.....84
Retro-Fit Kits .....11	Fence Stop, Flip-Up .....76	Miter Square .....86	Service Parts Price List ..... 50-66
Table System .....11	Fence System/Pro.....46	Miter-Pro™ .....36	Shaper Cutters .....70
Belt Sander, 6" .....15	Foot Switches..... 14, 24	Mobile Base, Universal .....87	Shaper/Router Upgrades ..... 45, 47
Belt Sander Retro-Kit .....16	Forstner Bits.....75	Molding Knives .....68	Adjustable Fence & Hardware....47
Belt Sander Router Chuck, 1/4" .....16	Grinding Guard & Wheels .....39	Molding Package .....67	Retro-Fit Kit.....45
Belt Sander Sanding Belts.....16	Hand Scraper .....73	Mortising Package .....43	Shaper/Drum Sander Vacuum
Bench Brush, Horsehair .....85	Hands-On CDs (Vol. 1-34).....89	Mounting Base, Aluminum .....27	Attachment ..... 45, 72
Bevel, Sliding.....85	Hearing Protectors..... 22, 29	Oiler, Pocket.....84	Shaping Package .....69
Biscuit Joiner/Biscuits .....44	Help Kit, 60 Piece.....84	Oscillating Drum Sander.....70	Sharpening Gauge .....38
Calipers..... 78, 85	Honing Guide.....39	Overarm Pin Router .....48	Sharpening Guides & Packages.....38
Casters, Retractable..... 13, 30	INCR A Fence/Router System/Pkg ...41	Paint, Touch-Up.....84	Sharpening Stones & Oil .....39
Center-Finding Rule .....86	INCR A Miter Express .....99	Pantograph..... 86, 88	Slot Mortising Package.....45
Chisel Sharpening Attachment. 20, 40	INCR A Miter Gauge 2000 .....42	Paste Wax, Minwax®.....88	Speed Increaser.....32
Clamps..... 82-83	Pre-Drilled Floating Tables .....41	Planer Dust Chute.....22	Speed Increaser Fence.....32
Conical Disc Sanding Kit .....73	Right Angle Fixture .....41	Planer/Jointer Knife Sharpener .....38	Speed Increaser Router
Conical Sandpaper Discs/Sleeves ...73	Shaper Attachment .....41	Planer Replacement Knives .....22	Bit Adapter, 1/4".....32
Connector Tubes, 5-Foot.....30	Shop Stop Positioner.....41	Planer Upgrades .....22	Speed Increaser Shaper Spindles...32
Countersink Set .....74	Wonder Fence Router/Shaper	Knurled Infeed Roller.....22	Speed Reducer .....33
Crosscut Sliding Table.....37	Attachment .....41	Pulley Retro-Kit.....22	Step Gauge, Aluminum .....31
Dado Set, Carbide-Tipped .....35	INCR A MiterSled 5000.....42	Retro Attachment.....22	Stop Collar, Adjustable.....87
Dial Caliper, 6" .....85	INCR A Precision Protractor..... 31, 85	Planer, MARK V Mount.....21	Storage Cabinets .....27
Dial Set-Up Gauge .....31	INCR A Precision T-Rule .....85	Planer, Pro .....21	Storage Station .....27
Disc Sander Dust Chute ..... 25, 71	INCR A TSIII Ultra Fence Table .....41	Plug Cutter Set, Tapered.....76	Storage Station, Wall-Mounted .....27
DriCote®, Sealants & Lubricants.... 84	Inserts, Table..... 35, 67, 69, 71, 72	Pounce Wheel Set .....86	Straightedge, 4-foot.....85
Drill Bits .....74	Jointer, 4".....17	Power Coupler/Kits .....26	Strip Sander .....19
Drill Chuck & Key.....75	Jointer Auxiliary Fence/Kit .....18	Power Stands .....26	Strip Sander Chisel Sharpening
Drill Press Handle .....75	Jointer Replacement Knives.....18	Power Station .....26	Attachment.....20
Drum Sanding, 6" .....72	Jointer/Planer Knife Sharpener .....18	Power Station Cover.....26	Strip Sander Magnifier Lamp.....20
Drum Sanding Pkgs. & Accy.....72	Jointer Upgrades .....18	Power Tool Woodworking	Strip Sander Sanding Belts.....20
Dust Collector .....23	Dust Chute Retro-fit Kit.....18	for Everyone Book.....84	Strip Sander Utility Light.....20
Dust Collector Accessory Kits .....25	Featherguards Retro-fit	Project Plans .....89	Support Tables .....37
Dust Collector Dust Chute .....25	Installation Kits .....18	Radi Plane.....87	Table Support Leg .....30
Dust Collector Filter Hoods .....23	Lathe Center Finder .....78	Razor Saw, 4-in-1 .....87	Tenon Master™ Jig.....45
Dust Collector Flange Ferrule.....24	Lathe Chisel Set Packages ..... 78, 79	Ring Master.....98	Thickness Gauge .....85
Dust Collector Handle	Lathe Chisels & Accessories.....78	Roller Stand..... 30, 37	Toggle Clamp Assembly.....45
Retro-fit Kit..... 25, 87	Lathe Chuck Systems .....81	Router Accessories .....48	Tool Bar, Magnetic.....83
Dust Collector Hoses/Fittings/Bags...24	Lathe Cutter Profiles .....77	Router Bit Depth Gauge..... 31, 85	Triangle Set, Aluminum..... 31, 85
Dust Collector Wireless	Lathe Duplicator .....77	Router Bits ..... 44, 47	Utility Light ..... 20, 76
On/Off Switch .....24	Lathe Duplicator Steady Rest.....77	Router Chuck & Shield .....44	Vise, Bench/Drill Press.....76
Dust Collector Foot On/Off Switch ....24	Lathe Jumbo Jaws.....81	Router Corner Chisel.....88	Wood Finishings .....80
Dust Collector Upgrades.....25	Lathe See-Through Shield..... 29, 77	Router Dovetail Fixture .....88	Wrench, Arbor .....34
	Lathe Tool Rests/Package ..... 79-80	Router Package .....44	Yardstick, Compass Points .....86

# The amazing new SAND-FLEE® designed for Shopsmith is an unparalleled surface finishing wizard

**NEW**



To install the abrasives, cut your strips to the specified length using the patterns we provide and rotate the drum by hand to wind the 3" wide abrasive onto the Drum. Install strips of two or three different grits if you like – for multiple - step super-smooth sanding without stopping work for grit changes.

Besides its obvious advantage of sanding the surfaces of stock up to 36" wide. It's also perfect for specialized operations such as:

Joining the edges of stock.

Sanding the protruding components of joinery (such as mortise-and-tenon, dovetails or box joints) flush with surfaces.

Safely finish-sanding the surfaces of resawn boards of super-thin veneers – or ends of long or tall standing workpieces – without fear of them being grabbed or thrown.

The SAND-FLEE® attaches to your machine just like all our other Special Purpose Tools, giving you a variable speed sander that promises to save you hours of tedious hand sanding.

You'll use it to remove that final whisker off the edges, ends or surfaces of wood, composite – even metal projects without fear of burning, sniping or injury. And when you've finished, you'll have a surface that's far smoother than anything you could hope to attain by hand or with the aid of another machine – in anywhere near the same amount of time.

Its 23" x 21-1/4" stainless steel top supports your stock as you advance it across the rotating, 18" long, aluminum Drum, positioned just beneath it surface. The Drum and the abrasive roll used on it are both covered with hook-&-loop material to facilitate quick, easy grit changes – then the table height is adjusted so that only the abrasive grit is proud of the table surface.

Although it has a 2-1/2" dust collection port, it captures 85% of its own dust inside the cabinet – so you'll seldom need to hook it up.

**556042 Shopsmith SAND-FLEE® Finishing Drum Sander (Manual included) **\$599.99****

**Guide Sanding Fence** helps you guide workpieces across the rotating Drum. 24-3/8" long w/ three T-slots, plus hardware and threaded knobs for attaching to the slots in the SAND-FLEE® Table.

**556043 Optional SAND-FLEE® Fence **\$79.99****

**Hobby-Pack Abrasive Roll Package**, Includes six, 3" x 10-meter rolls of hook-and-loop abrasives—one each, 100, 120, 150, 180, 220 and 320-grit. (Approx. 8 full-width wraps per roll)

**556044 Hobby-Pack Abrasive Roll Pkg **\$107.95****

**Individual Abrasive Rolls** 3" x 10-meter rolls **\$19.95** each

<b>556045</b> 100-Grit	<b>556046</b> 120-Grit	<b>556047</b> 150-Grit
<b>556048</b> 180-Grit	<b>556049</b> 220-Grit	<b>556050</b> 320-Grit

## Get added precision and control with the Kreg Deluxe Bandsaw Rip Fence Deluxe Fence increases your Bandsaw's ripping capacity and cutting versatility



Optional 4 1/2" high Resawing Guide attaches to the T-Slot in the Rib Fence face. Its gently curved face allows you to follow a drawn line down the top edge of a board to be resawed ... compensating for blade *lead* as you go. The Pros say, these are the best style Resawing Fences!



**Optional Micro-Adjuster** clamps into the Fence Rail T-Slot with a large comfortable knob. Then, simply loosen the Fence Mounting Head and rotate the Micro-Adjuster's thumbwheel to gradually advance or retrieve the Fence by 1/20" with each full rotation.

This Fence System was designed exclusively for the Shopsmith Bandsaw. The rugged aluminum rail extrusions attach to the existing holes in the underside of late model Shopsmith Bandsaws with self-tapping bolts (included). Once attached, you'll have a 20" long by 2 3/4" high precision rip fence with a direct-reading scale that locks firmly into position with a single knob to rip stock up to 9 3/8" wide (that's 4 3/8" wider than our regular Bandsaw Fence). Its face and top surfaces both include preformed T-slots to accept Shopsmith's Flip Stops, Featherboards, and Utility Lights – or your choice of special shop-made jigs and fixtures.

This Fence can also be laid down and attached to the mounting head horizontally. The Fence face can also be used with your Premium bandsaw Fence on the MARK V or other Shopsmith tools.

**Note: Not for older model Bandsaws with cast iron worktables.**

<b>522460</b> Mounting Rail & Hardware	<b>\$89.00</b>
<b>556032</b> Front & Rear Fence Supports	<b>\$39.00</b>
<b>556005</b> 20" Premium Bandsaw Fence	<b>\$59.95</b>
<b>556030</b> Complete Bandsaw Rip Fence System <i>(Includes Mounting Rail &amp; Hardware, Front &amp; Rear Fence Supports and Premium Bandsaw Fence)</i>	<b>\$174.99</b>
<b>522511</b> Bandsaw Fence Micro-Adjuster	<b>\$15.99</b>
<b>522514</b> Bandsaw Fence Resawing Guide	<b>\$18.99</b>
<b>556031</b> Deluxe Bandsaw Fence System <i>(Includes Complete Bandsaw Rip Fence System, Micro-Adjuster &amp; Resawing Guide)</i>	<b>\$209.97</b>

## Look for these symbols to find the best application for your Shopsmith accessories

If one of the following symbols appears next to an accessory in this catalog, it cannot be used on that equipment model.

Will NOT Fit With:         
10ER MARK II MARK V MARK V MARK V MARK V MARK V  
VII 500 505 510 520

**NOTE:** Be sure to order accessories for your particular Model MARK V (500, 505, 510 or 520). If you have upgraded your Model 500 with a Table System Retro-fit Kit, order Model 510 accessories. If you have questions about the model you own, call our Service/Technical Support department at **1-800-762-7555**. The Shopsmith MARK VII, MARK II, and 10 ER were products of Magna American Corp.



### **GOLD MEDAL BUYER PROTECTION PLAN ASSURES COMPLETE SATISFACTION**

- 30-Day Money-Back Guarantee** – Buyer must be satisfied or we'll refund the purchase price.
- TWO Years Full Warranty** – Covers all parts and labor for two years from date of purchase.
- Exclusive Loaner Headstock Program** – If Headstock ever needs repair, customer receives a loaner Headstock to use while repairs are made.
- Lifetime Reconditioning Program** – Shopsmith will recondition a MARK V to like-new condition at any time for a fraction of its replacement cost.
- Limited Lifetime Warranty** – Protects the Shopsmith MARK V against defects in manufacturing and workmanship.
- FREE Service Hotline** – We're always standing by to help you. To get fast solutions to your problems, simply give us a call **TOLL-FREE** at **1-800-762-7555**.



### **Lifetime Reconditioning Program**

The MARK V's, Planer, Bandsaw, Jointer, Belt Sander, Scroll Saw and Strip Sander are rugged pieces of equipment. But constant use over years may lead to a need for reconditioning. At any time, give us a call and we'll tell you how to take advantage of this program. We'll rebuild any of the above Shopsmith, Inc. manufactured equipment and replace wearing parts, including the motor. Your cost will not exceed one-third

of the current list price of the equipment at the time of the repair. A quotation will be provided prior to any work.

### **Other Mailing Lists**

We occasionally make our customer list available to carefully screened companies and organizations whose products and/or services we feel may be of interest to you\*.

If you would prefer not to receive such mail, please copy your mailing address and mail it to:

Attn: Mail Preference Service  
Shopsmith, Inc.  
6530 Poe Avenue  
Dayton, OH 45414-2591

*\*We will never release your phone number to anyone!*

### **Email Specials**

By supplying Shopsmith with your email address, you will be notified of email only specials throughout the year.

In recent offerings, woodworkers like yourselves have saved hundreds of dollars on many accessories.

Just include your email address on the order form, call Customer Service, or sign up online at:

**[www.shopsmith.com/emailadd.htm](http://www.shopsmith.com/emailadd.htm)**

## **Four Easy Ways to Order**

### **1. By Phone ...**

Just call our factory-direct line, TOLL-FREE:  
**1-800-543-7586**

### **2. By Mail ...**

Complete the order form and mail to:

ATTN: Order Dept.  
Shopsmith, Inc.  
6530 Poe Avenue  
Dayton, OH 45414-2591

### **3. By FAX ...**

24 hours/7 days, FAX the completed form  
TOLL-FREE:

**1-800-722-3965**

### **4. Online ...**

Just log onto and place your order over the Internet. You can browse the products by name, or search for them by part number.

**[www.shopsmith.com](http://www.shopsmith.com)**

## **Contacting Shopsmith's Service/Technical Support**

Have a question about your order – a wood-working question or a problem with a product? Call our TOLL-FREE Customer Service Hotline at:

**1-800-543-7586**

Monday – Friday: 9AM – 5PM  
Saturday: 9AM – 1PM

## **A Note About Prices**

Although every attempt is made to keep prices current, at times, changes are necessary. We reserve the right to adjust prices without notice and recommend calling to verify a price. Typographic or photographic errors sometimes slip through. We reserve the right to correct these errors when orders are placed.



