

Tahoe 45OL outdoor linear gas
fireplace with stainless steel frame



SIERRA FLAME SERIES



Gas & Electric Fireplaces

GAS MODELS

DIRECT VENT INSERT



Abbot 30IN gas fireplace with logs



Abbot 30IN gas fireplace with Rock and glass media and Design Specialties Laurel overlay in Natural Iron

THE ABBOT 30IN SPECIFICATIONS

The Abbot 30IN

Premiere System

- True clean face design • Ceramic glass • 26,000 BTU • Hi/low modulating flame control • Electronic ignition • 100% safety shut off • On/off thermostat • Battery powered

Deluxe System

- True clean face design • Ceramic glass • 26,000 BTU • 7 day programmable thermostat remote control • 7 stage modulating flame control • Full fan kit w/6 stage adjustable fan control • 110v required • Electronic ignition • 100% safety shut off

Glass Viewing Area:
16" H x 25" W

Optional Accessories:

- Chimney cap
- Extra decorative rock media - 3 piece set

Surround Options:

- Standard black surround
- 4 sided black surround
- Child safety screen
- Design Specialties overlays

Fuel Options: NG or LP



LOG DIRECT VENT INSERT with Design Specialties Diamond overlay in Silver



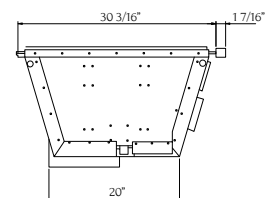
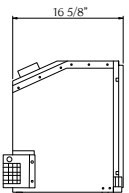
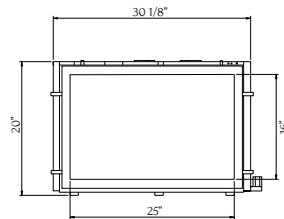
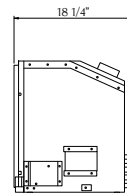
GLASS DIRECT VENT INSERT with Design Specialties Laurel overlay in Rustic Copper

You will be impressed with the large glass viewing area. The Abbot is available in Deluxe and Premiere systems that offer you superior flame and heat control. Each unit comes with the standard black porcelain panels, black reflective glass and a 9 piece rock set. For a more traditional look try the optional ceramic brick panels and log set. Comes standard to run on natural gas but also available for liquid propane use.

It's all in the Box!



OR





Newcomb gas fireplace with Design Specialties Diamond overlay in Vintage Iron

THE NEWCOMB 36DV SPECIFICATIONS

The Newcomb 36DV

Standard System

- True clean face design • Tempered glass • Black porcelain panels • 21,000 BTU • 100% Safety shut off • Top vent only • Electronic ignition • Remote control (basic) • Black reflective fire glass & 3 piece decorative rock set

Deluxe System

- True clean face design • Tempered glass • Black porcelain panels • 21,000 BTU • 100% Safety shut off • Top vent only • Fan kit • Modulating valve • Electronic ignition • Remote control (basic) • Deluxe digital remote control • Black reflective fire glass & 3 piece decorative rock set

Glass Viewing Area:
15" H x 32-1/2" W

Optional Accessories:

- Termination kit
- Extra decorative rock media - 3 piece set

Surround Options:

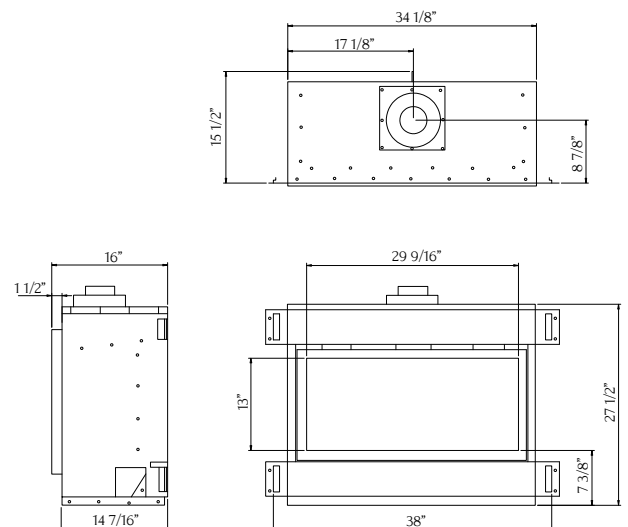
- Decorative black surround
- Stainless steel surround
- Basic black surround with screen
- Decorative black surround with screen
- Design Specialties overlays

Fuel Options: NG or LP



NEWCOMB CONTEMPORARY DV LINEAR with Design Specialties Diamond overlay in Cast Bronze

With the contemporary styled Newcomb gas fireplace you can make that first impression a good one! Imagine cozying up with this unit!



SEE-THRU DIRECT VENT LINEAR



Palisade 36ST gas fireplace with Design Specialties Diamond overlay in Copper Vein

THE PALISADE 36ST SPECIFICATIONS

The Palisade 36ST

Standard System

- True clean face design • 20,000 BTU
- Electronic ignition • Tempered glass
- 100% safety shut off • Side vent only
- Black porcelain panels • Remote control (Basic) • Black reflective fire glass and rock set

Deluxe System

- True clean face design • 20,000 BTU • Electronic ignition • Tempered glass • 100% safety shut off • Side vent only • Black porcelain panels
- Deluxe digital remote control
- Fan kit • Modulating valve • Black reflective fire glass and rock set

Glass Viewing Area:

15" H x 32-1/2" W

Optional Accessories:

- Termination kit
- Extra decorative rock media - 3 piece set

Surround Options:

- Black surround without access panel
- Black surround with access panel
- Child safety screen (2 per box)
- Design Specialties overlays

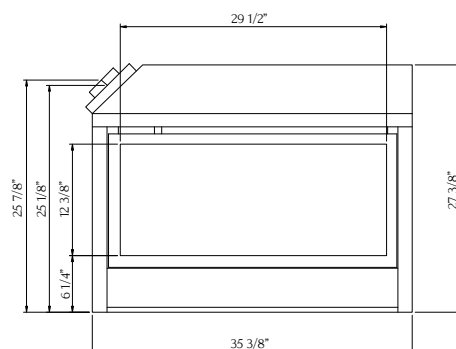
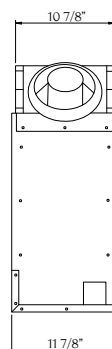
Fuel Options: NG or LP



PALISADE SEE-THRU DV LINEAR

The Palisade see-thru direct vent unit is a perfect choice for today's contemporary floor plans, allowing you a great view of your fireplace from more than one room. Not only is the Palisade smart but sexy as well with its curved front face design.

It's all in the Box!



DELUXE DIRECT VENT LINEARS



Stanford 55L gas fireplace with Design Specialties Laurel overlay in Satin Nickel

THE STANFORD 55L SPECIFICATIONS

The Stanford 55L

Deluxe System

- Flush mount design • 36,000 BTU (Stanford) • Electronic Ignition • 7 day programmable thermostat deluxe remote • 7 stage modulating valve (flame control) • Linear style burner • Ceramic glass • 100% Safety shut off • NG or LP • Top vent only • Black Porcelain panels • Deluxe digital remote control • Dual Fan kit with 6 stage adjustable control • Black reflective fire glass media & 9 piece decorative rock media set • Dual stainless steel pan burner

Glass Viewing Area:
18-1/2" H x 52-3/4" W

Accessories:

- Termination kit
- Extra decorative rock media - 3 piece set
- Liquid propane conversion kit
- Hard pipe vent
- Flex vent to hard pipe adaptor

Surround Options:

- Basic black surround with safety barrier
- Design Specialties hand crafted overlays

Fuel Options: NG or LP

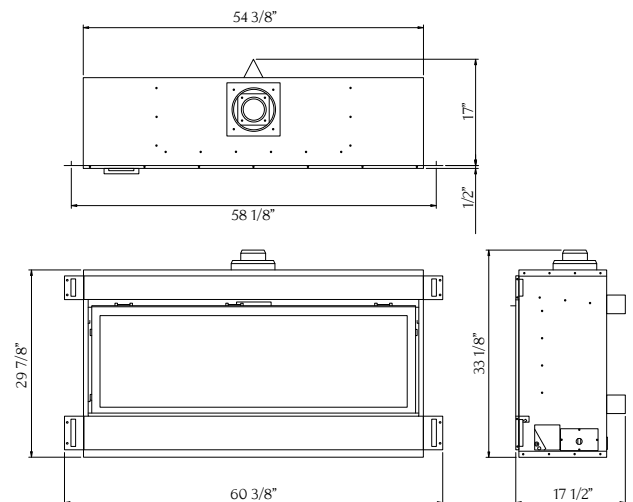


STANFORD 55L DELUXE DIRECT VENT LINEAR with Design Specialties Laurel overlay in Copper Fire

It's all in the Box!



This baby must work out! Who could resist this fireplace with its long, lean design. The contemporary styled Stanford offers up our largest flame viewing area at an impressive 55" wide. More flame – more game!





THE BENNETT 45L SPECIFICATIONS

The Bennett 45L

Deluxe System

- Ceramic glass • Black porcelain panels • Flush mount design • Black reflective fire glass media & 9 piece decorative rock media set • 30,000 BTU (Bennett) • 7 stage modulating valve (flame control) • Linear style burner • Electronic ignition • 7 day programmable thermostat deluxe remote • 100% Safety shut off • NG or LP • Top vent only • Deluxe digital remote control • Dual fan kit with 6 stage adjustable control • Dual stainless steel pan burner

Glass Viewing Area:

16-1/2" H x 42" W

Accessories:

- Termination kit
- Extra decorative rock media - 3 piece set
- Liquid propane conversion kit
- Hard pipe vent
- Flex vent to hard pipe adaptor

Surround Options:

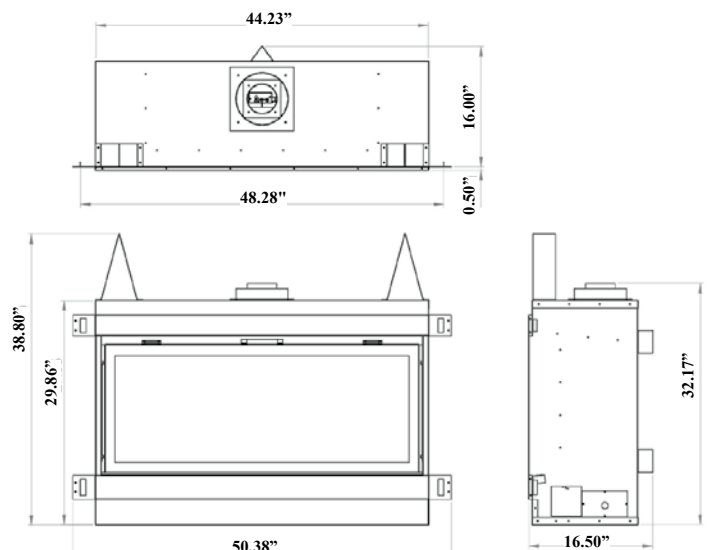
- Basic black surround with safety barrier
- Design Specialties hand crafted overlays

Fuel Options: NG or LP



BENNETT 45L DELUXE DIRECT VENT LINEAR

The Bennett 45L offers you a choice of black metal surround with safety barrier or decorative stainless steel surround with safety barrier



'BUILDERS' DIRECT
VENT LINEAR



Langley 36L gas fireplace
with black surround

THE LANGLEY 36L SPECIFICATIONS

The Langley 36L
'Builders' Linear Gas Fireplace

- Shallow depth design
- Linear style burner
- Borosilicate black glass kit
- 8-3/4" deep for framing
- 15,500 BTU
- Non-combustible board
- 45 degree vent off the back of unit
- Basic trim & safety barrier (Required)
- Termination kit (Required)
- 3" & 6" Venting

Glass Viewing Area:
12" H x 29-1/2" W

Optional Accessories:

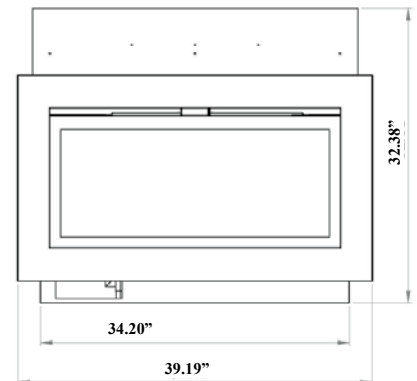
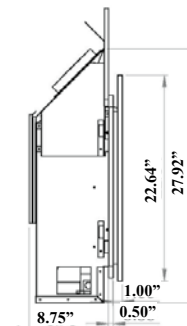
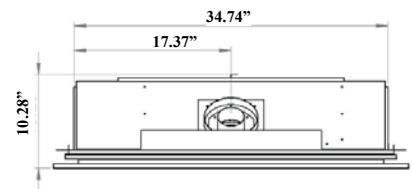
- Extra decorative rock media - 3 piece set
- Design Specialties overlays

Fuel Options: NG



LANGLEY 'BUILDERS' DIRECT VENT LINEAR

The Langley is a true linear gas fireplace available at builder pricing. This unit might be shallow but this unit gives you all the advantages and beauty of our linear electric fireplaces. At only 8 3/4" deep the Langley is one of the shallowest linear units on the market. Excellent choice for new home construction and renovations. Featuring Borosilicate glass that will not shatter and can tolerate the heat produced from the stainless steel burner.



APARTMENT 'B-VENT' REPLACEMENT



Bradley 36 gas fireplace with decorative 3-piece shroud and Onyz glass media

THE BRADLEY 36 SPECIFICATIONS

The Bradley 36 'Apartment B-Vent Replacement'

- Flush clean face design
- Linear style burner
- Tempered glass
- Black glass kit
- Black access panel
- 19,000 BTU
- Modulating flame
- Fan
- Electronic ignition
- 100% safety shut off
- Deluxe remote control

Glass Viewing Area:
19-1/2" H x 32" W

Optional Accessories:

- Extra decorative rock media - 3 piece set

Fuel Options: NG

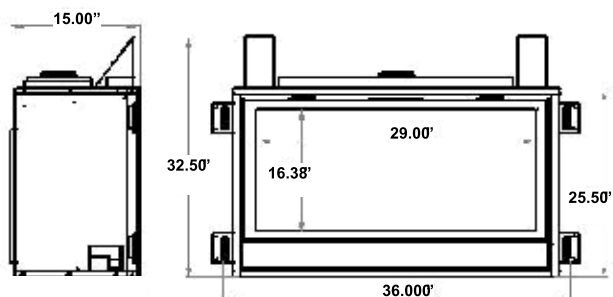
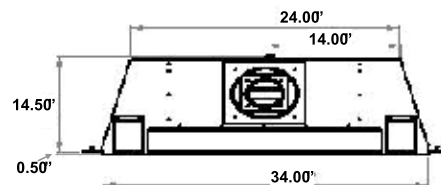


BRADLEY APARTMENT 'B-VENT' REPLACEMENT

It's all in the Box!



Designed to replace B-vent fireplaces in apartment buildings. Change your apartment B-Vent into a direct vent fireplace with the Bradley by Sierra Flame. Featuring the latest technology, there is no need to replace existing venting or make alterations to the building's exterior. A flush clean face design with optional surrounds make the Bradley a perfect addition to any space.



OUTDOOR VENT-FREE LINEAR



Tahoe 45OL outdoor linear gas fireplace with stainless steel frame

THE TAHOE 45OL SPECIFICATIONS

The Tahoe 45OL

All stainless steel unit.

The Tahoe can be built-in to highlight the 3" trim or install with finishing material right up to the glass viewing area.

- 6" glass shield
- 40,500 BTU
- Stainless steel cover
- Kill switch for cover
- Electronic ignition - battery powered
- Remote control
- Stainless steel pan burner - criss cross pattern
- Wood framing is allowed
- 9 piece decorative rock media set
- Black reflective fire glass media

Glass Viewing Area:
14-1/2" H x 39" W

Optional Accessories:

- Extra decorative rock media - 3 piece set
- Design Specialties overlays

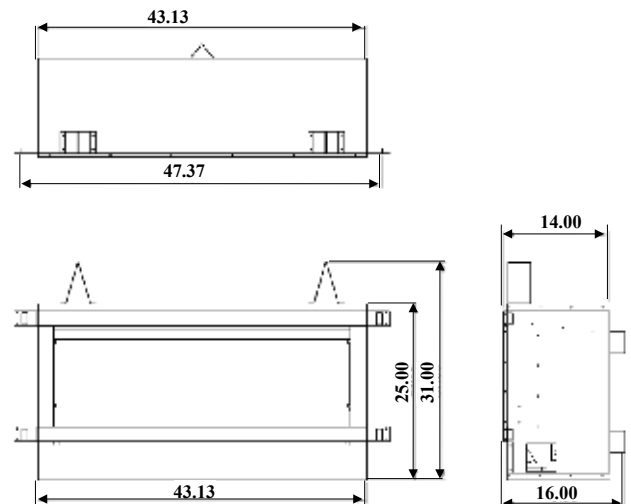
Fuel Options: NG or LP



OUTDOOR VENT-FREE LINEAR

The Tahoe 45OL outdoor linear gas fireplace has been built tough to weather whatever the elements can throw at it. This unit allows wood framing and can be installed without a surround, finishing material installed right up to the glass for a simplified modern look or with the durable 3" stainless steel surround. Unit even comes with a stainless steel cover for protecting when not in use.

Tahoe 45OL comes with rock and Black Onyx fire glass media, and a stainless steel frame.



GAS SPECIFICATIONS

Model	Framing Dimensions	Viewing Area	BTUs (NG)		AFUE / P4 (NG Efficiency)	Weight*
			Hi	Lo		
Abbot	20-1/4" H x 27" W x 15" D - Premium 20-1/4" H x 27" W x 16-1/4" D - Deluxe	16" H x 25" W	26,000	10,500	68.3 %	115 lbs.
Newcomb	33-1/2" H x 38" W x 15-1/2" D	15" H x 32-1/2" W	21,000	13,000	65.1 %	115 lbs.
Palisade	32" H x 39-1/2" W x 10-7/8" D	15" H x 32-1/2" W	20,000	13,000	63.45%	105 lbs.
Stanford	39" H x 58-1/2" W x 17-1/2" D	18-1/2" H x 52-3/4" W	36,000	21,250	68.75%	200 lbs.
Bennett	39" H x 44-1/4" W x 16-1/2" D	16-1/2" H x 42" W	30,000	22,000	69.5%	170 lbs.
Langley	32-1/2" H x 34-3/4" W x 8-3/4" D	12" H x 29-1/2" W	15,500	11,000	64.91%	90 lbs.
Bradley	32-1/2" H x 36" W x 15" D	19-1/2" H x 32" W	19,000	13,500	64.13%	110 lbs.
Tahoe	31" H x 47-1/4" W x 16" D	14-1/2" H x 39" W	40,500	29,000	Not applicable outdoor model	110 lbs.

*For surrounds add between 5-20 lbs depending on the size of the unit.

ACCESSORIES

GAS MODELS

Black Onyx
fireglass



9-piece Log Set



Rocks



ELECTRIC MODELS



Himalayan Salt



Hz-08 Sable

Optional for Electric Models

3 EXTRA LARGE NUGGETS

Box of three extra large clear glass nuggets
FI-106-Diamond



6 MINI NUGGETS

Box of six mini clear glass nuggets
FI-107-Diamond



Model	Venting**	Ceiling / Mantle Height
Abbot	3" flex vent on exhaust side 3" flex vent on the air intake side	Mantle Height = minimum 33" with a 4" deep mantle Please see manual for other mantle clearances
Newcomb	4" flex vent on exhaust side 7" flex vent on the air intake side	Internal ceiling = minimum 48" Mantle Height = minimum 40"
Palisade	4" flex vent on exhaust side 7" flex vent on the air intake side	Internal ceiling = minimum 40" Mantle Height = minimum 40"
Stanford	4" flex vent on exhaust side 7" flex vent on the air intake side	Internal ceiling = 58" Mantle height = minimum 45"
Bennett	4" flex vent on exhaust side 7" flex vent on the air intake side	Internal ceiling = 58" Mantle height = minimum 42"
Langley	3" flex vent on exhaust side 6" flex vent on the air intake side	Internal ceiling = 38"
Bradley	3" flex vent on exhaust side 5" flex vent on the air intake side	Internal ceiling = 40" from top of unit Mantel height = 42"
Tahoe	No venting required	Internal ceiling = 48" Mantle height = 42"

The Sierra Flame Advantage

All Sierra Flame units are manufactured with the highest quality parts available, from the smallest component to the optional hand crafted overlays. Our units are designed for ease of installation and servicing and our focus is on keeping the styles fresh and current. As well, our realistic and exceptionally large flame is a noticeable feature that sets us apart from the competition. Our standard units include upgrades that would be costly add-ons with other suppliers like the remote control, quality fire glass media, decorative rock and log sets. We offer to you a finely tuned selection of units – focusing on quality not quantity and hope that you choose a Sierra Flame fireplace to enjoy for years to come!

**Venting - Any certified 2 ply flex piping can be used. Certified on Duravent, Selkirk, Metal Fab, ICC

Valves - American Flame & Skytech EI system

GAS SURROUNDS

For Overlays and Design Specialties options see page 20



Basic Black



Decorative Black



Decorative Stainless

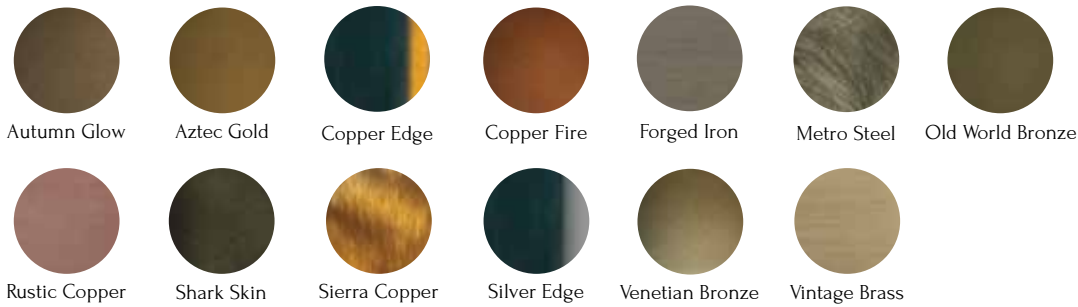
DESIGN SPECIALTIES

STEEL FINISHES • POWDER COAT

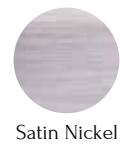
STANDARD FINISHES



ARTISAN FINISHES



SPECIALTY FINISH



Proudly made in the USA, each Design Specialties door is hand crafted to the specifications of each order. Due to the nature of the anodizing, plating and powder coat processes, slight variations in color may occur. In particular, finishes including, but not limited to, Forged Iron, Sierra Copper, Rustic Copper, Black Silver Edge and Black Copper Edge.

OVERLAYS

These hand-crafted steel overlays bring a traditional elegance to any room. Designed for an exceptional fit and finish with unparalleled craftsmanship and made to order by skilled metal workers.

Electric Model
Overlays



Linear Series
Available for all 4 sizes

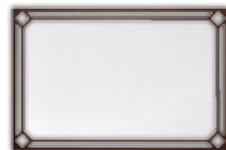


Zero Clearance
Available for both sizes



Insert Series
Available for INS-FM-30 and INS-FM-34

Gas Model
Overlays
(comes with
screen)



Abbot 30IN - Diamond overlay in Copper Vein



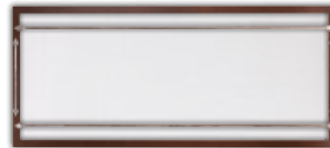
Palisade 36ST - Arrow overlay in Textured Black



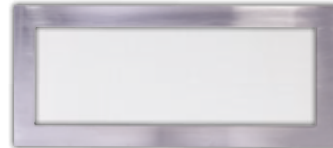
Palisade 36ST - Diamond overlay in Soft Bronze



Newcomb 36DV - Diamond overlay in Vintage Iron



Stanford 55L - Arrow overlay in Copper Vein



Stanford 55L - Laurel overlay in Satin Nickel

Distributed By:



1-888-885-1837

502-1027 Davie Street, Vancouver, BC V6E 4L2

June 2015