

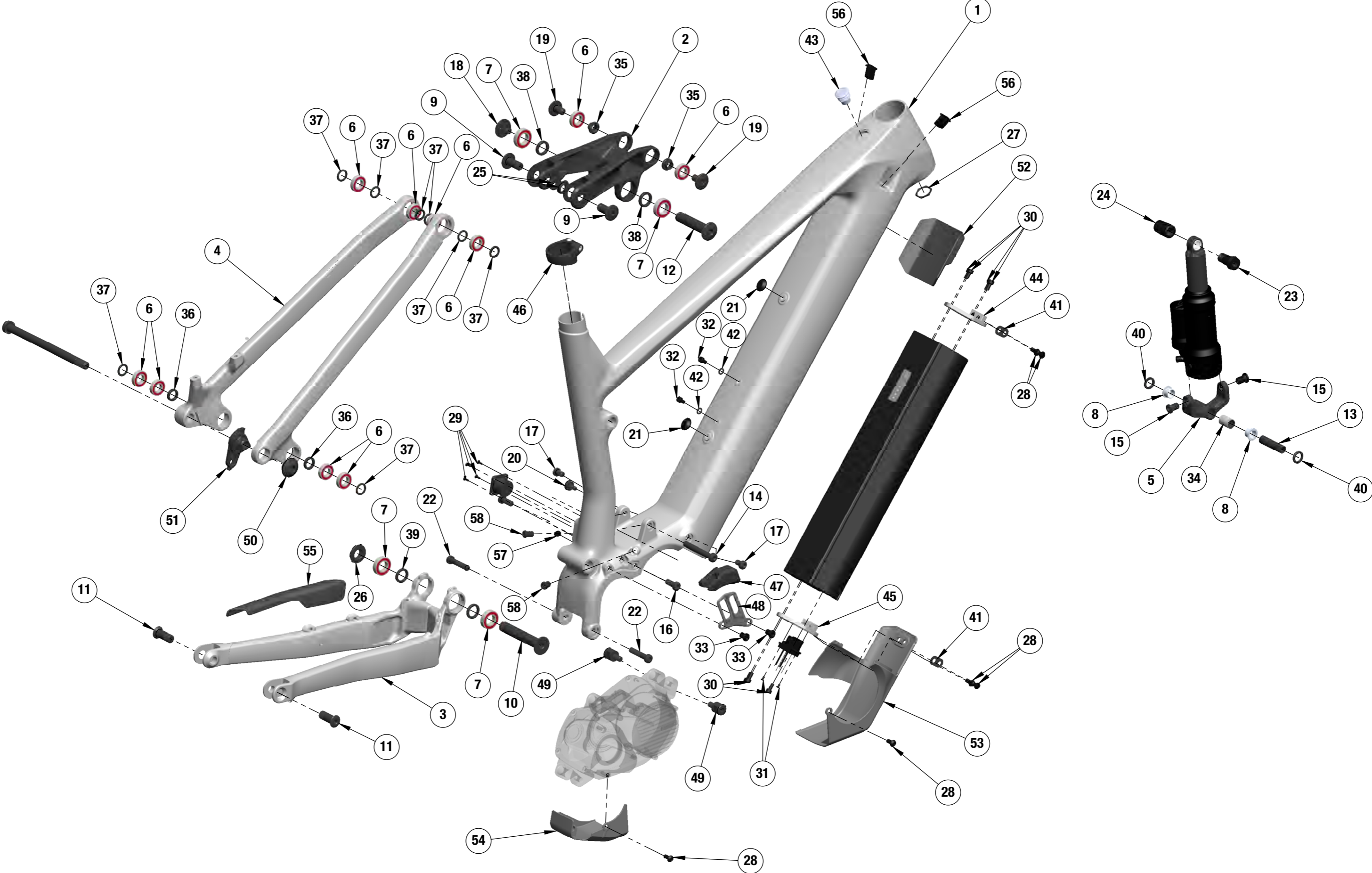


# SIGHT VLT 29 CARBON

---

FRAME ASSEMBLY & SERVICE PARTS REFERENCE

EXPLODED VIEW



BILL OF MATERIALS



ITEM NO.	SERVICE PART NUMBER	QTY.	DESCRIPTION	MATERIAL
1		1	FT ASSY, SIGHT VLT, MY20	CARBON
2	CONTACT CUSTOMER SERVICE	1	LA, SIGHT VLT, MY20	ALUMINIUM
3		1	CS ASSY, SIGHT VLT, MY20	ALUMINIUM
4		1	SS ASSY, SIGHT VLT, MY20	ALUMINIUM
5		913800-016	1	SHOCK EXTENSION, SIGHT VLT, MY20
6	913200-6901-EM	10	6901-LLU ENDURO MAX BEARING, 12X24X6MM	ALLOY STEEL
7	913200-6902-EM	4	6902-LLU ENDURO MAX BEARING, 15X28X7MM	ALLOY STEEL
8	913800-017	2	BUSHING, IGUS, ID12, L48, OD14	PLASTIC
9	913500-019	2	SHAFT, M12X1.25, L26.5, HEX5	7075-T6
10	913500-016	1	SHAFT, DIA15, L86.5, M15X1.5, HEX8	7075-T6
11	913500-013	2	SHAFT, DIA12, L32, M12X1.25, HEX6	7075-T6
12	913500-014	1	SHAFT, DIA15, L66.5, M10X1.5 INT, HEX8	7075-T6
13	913800-019	1	SHAFT, DIA12, L48, ID8	7075-T6
14	913400-036	1	SHAFT, DIA8, L60.5, M6X1 INT, HEX5	AISI 316 SS BAR
15	913800-018	2	BOLT, M10X1, L14, HEX5	7075-T6
16	913400-018	2	BOLT, M8X1.25, L20, HEX5	AISI 316 SS BAR
17	913400-020	2	BOLT, M8X1.25, L14	AISI 316 SS BAR
18	913700-003	1	BOLT, M10X1.5, L13, HEX5	7075-T6
19	913800-005	2	BOLT, M10X1, L17, HEX5	7075-T6
20	913700-004	1	BOLT, M6X1, L12, HEX5	AISI 316 SS BAR
21	913400-039	2	BOLT, M4X08, L8, HEX5, COVERBOLT	7075-T6
22	913400-019	2	BOLT M8X1.25, L38, HEX5	AISI 316 SS BAR
23	913800-021	1	NUT, L7.65, M10X1.0 ,M14X1.5 HEX5 SHOCK ADAPTER	7075-T6
24	913800-020	1	NUT, L27.65, M10X1.0 ,M14X1.5 HEX6	7075-T6
25	913700-006	2	NUT, M12X1.25, KEYED	AISI 316 SS BAR
26	913700-005	1	NUT, M15X1.5, 18HEX	7075-T6
27	913700-007	1	NUT, M19X1.0, 2.3mm	7075-T6
28	913400-016	6	M6X12MM BUTTON HEAD CAP SCREW	STEEL, BLACK CHROMATE
29	913400-022	4	M3X8MM COUNTERSUNK SOCKET HEAD CAP SCREW	STEEL, BLACK CHROMATE
30	913400-021	7	M5X10MM SOCKET HEAD CAP SCREW	STEEL, BLACK CHROMATE
31	913400-025	2	M3X5MM BUTTON HEAD CAP SCREW	STEEL, BLACK CHROMATE
32	913400-028	2	M5X8MM SOCKET HEAD CAP SCREW	STEEL, BLACK CHROMATE
33	913400-037	2	CHAINRING SCREW, 10mm, T25	STEEL, BLACK CHROMATE
34	913800-017	1	SPLIT BUSHING, OD14, ID12, L20	STEEL
35	913800-006	2	TOPHAT, ID10, OD12, L3.5	AISI 316 SS BAR
36	913300-001	2	SPACER, ID12, OD18, L4	7075-T6
37	913300-002	8	SPACER, ID12, OD18, L2	7075-T6
38	913300-003	2	SPACER, ID15, OD22, L4	7075-T6
39	913300-014	2	SPACER, ID15, OD22, L3.5	7075-T6
40	913300-018	2	SPACER, ID12, OD16 L3, PLASTIC	PLASTIC
41	913300-016	2	SPACER, DT BATTERY BRACKET	ALUMINIUM
42	913300-022	2	SPACER, ID5.3, OD10, L1, DIN125	STEEL, BLACK CHROMATE
43	915700-013	1	POWER SWITCH	-
44	915700-010	1	BATTERY MOUNTING BRACKET, TOP SIDE	ALUMINIUM
45	915700-011	1	BATTERY MOUNTING BRACKET, BOTTOM	ALUMINIUM
46	915000-008	1	NORCO SEATPOST CLAMP, 38.0mm	ALUMINIUM
47	914200-005	1	E13, TRS, HEAD ONLY	-
48	914200-006	1	CHAINGUIDE BACKPLATE FOR E-13 TRS PLUS	ALUMINIUM
49	913300-015	2	DU MOTORSPACER	STAINLESS STEEL
50	913020-004	1	RD HANGER, 2 PIECE, UDH BOLT V2, M12X1.75	7075-T6
51	913015-006	1	RD HANGER, 2 PIECE, UDH V2, M12X1.75	7075-T6
52	915500-010	1	FORK BUMPER, SIGHT VLT	EPDM RUBBER
53	915500-003	1	DU GUARD FRONT, SIGHT VLT, MY19	PLASTIC
54	915500-004	1	DU GUARD REAR, SIGHT VLT, MY19	PLASTIC
55	915200-014	1	CHAINSTAY GUARD, SIGHT VLT, MY19	POLYURETHANE
56	914100-027	2	GIZMO3, 2P, 5mm & 6mm	EPDM RUBBER
57	914100-011	1	GROMMET, SHIMANO, DI2, 7X8MM, SM-GM02	EPDM RUBBER
58	914100-030	2	GIZMO, RUBBER GROMMET, OD7.9, ID6	EPDM RUBBER

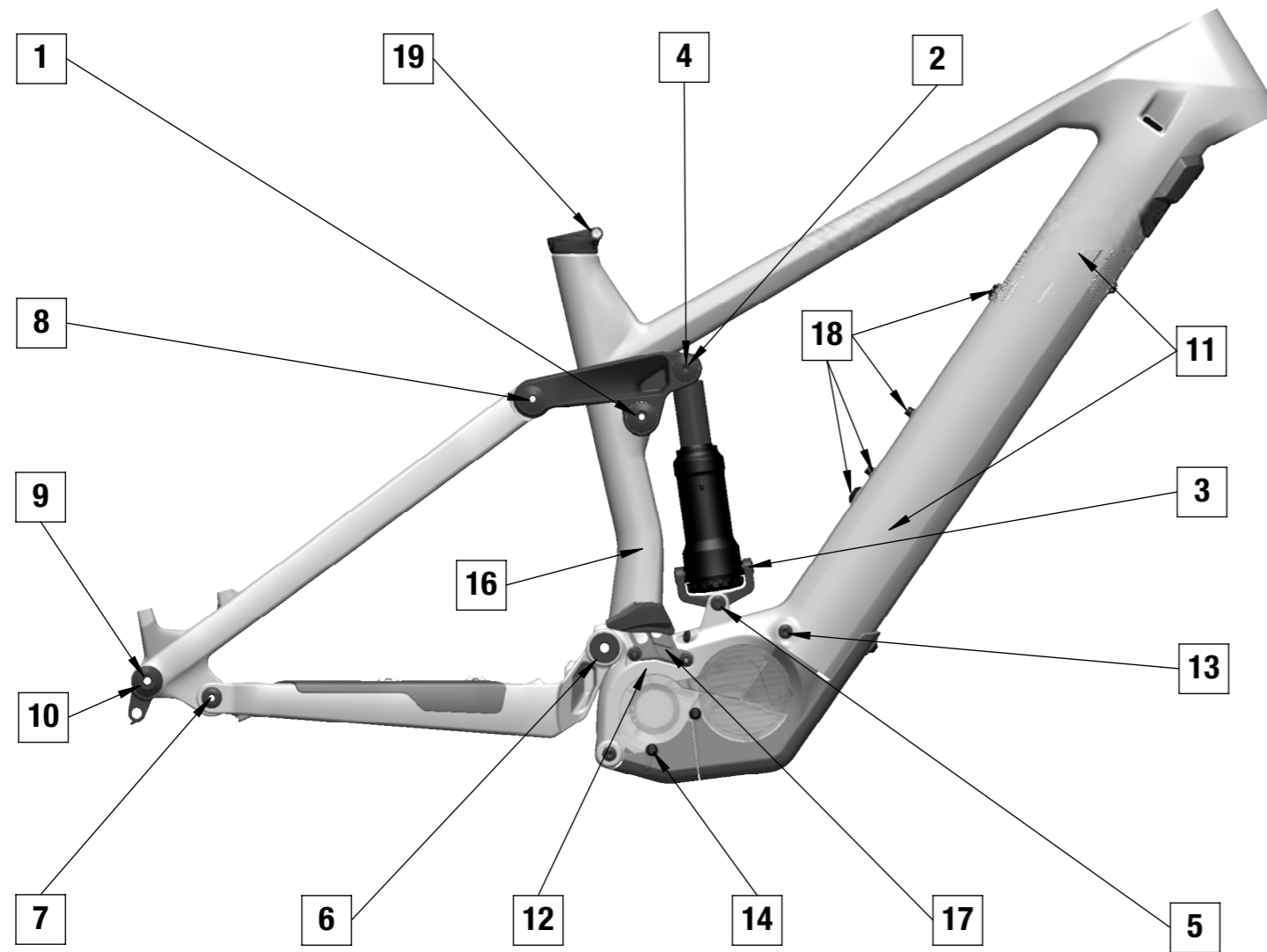
ADDITIONAL FRAME INFORMATION

AVAILABLE FRAME SIZES	S, M, L, XL
WHEEL SIZE	29"
S.H.I.S.	ZS44/28.6   ZS56/40
MAX. FORK LENGTH, OFFSET [mm]	581, 42
MOTOR MOUNTING STANDARD	SHIMANO E8000, E7000
MAX CHAINRING SIZE	38
OLD [mm]	148
REAR BRAKE MOUNT [mm]	POST, 180
SEATPOST DIAMETER [mm]	34.9
RECOMMENDED TIRE SIZE [IN.]	29" X 2.35" X 2.6"
SHOCK DIMENSIONS [LENGTH, STROKE] [mm]	185 X 55
SHOCK HARDWARE - BODY (W X ID) [mm]	N/A
SHOCK HARDWARE - SHAFT (W X ID) [mm]	TRUNNION
REAR AXLE TYPE	TA12/L174/TL20/M12X1.75 913105-003
ISCG 05 MOUNTS	NO

ADDITIONAL SERVICE PARTS

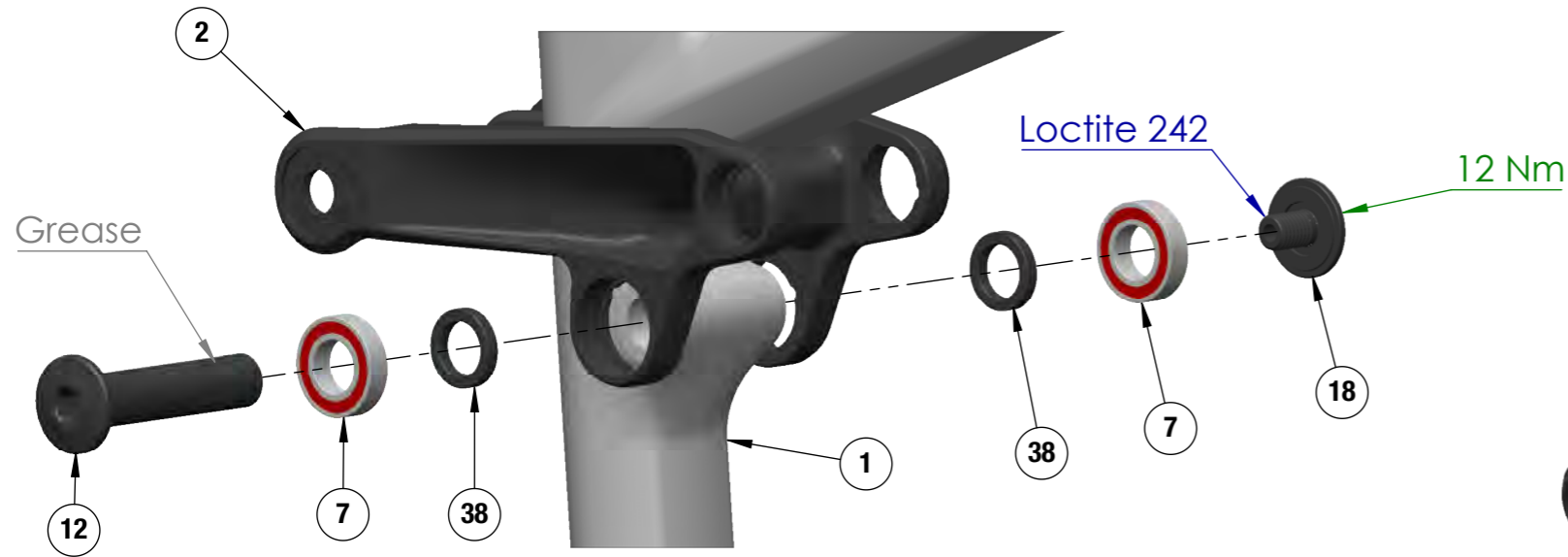
ITEM NO.	SUPPORT PART NUMBER	QTY.	DESCRIPTION
i	915500-013	1	DU COVER ADAPTER, E7000, RH
ii	915500-014	1	DU COVER ADAPTER, E7000, LH
iii	913400-003	7	M3X8MM BUTTON HEAD CAP
iv	913400-017	3	M3X8MM SOCKET HEAD CAP
v	02915800-005	1	360 WH EXT BATTERY W/CONNECTOR
vi	02915800-006	1	360 WH BATTERY ACCESSORY KIT
vii	915700-009	1	CHARGEPORT COVER W/ LOOP
viii	915700-009-11	1	NEW GEN2 CHARGE PORT W/CONNECTOR
ix	915801-001-1	1	MAIN WIRE HARNESS EX VERSION
x	915800-004	1	630 WH INTUBE BATTERY EX READY
xi	CONTACT C.S.	1	500 WH INTUBE BATTERY EX READY

TORQUE SEQUENCE

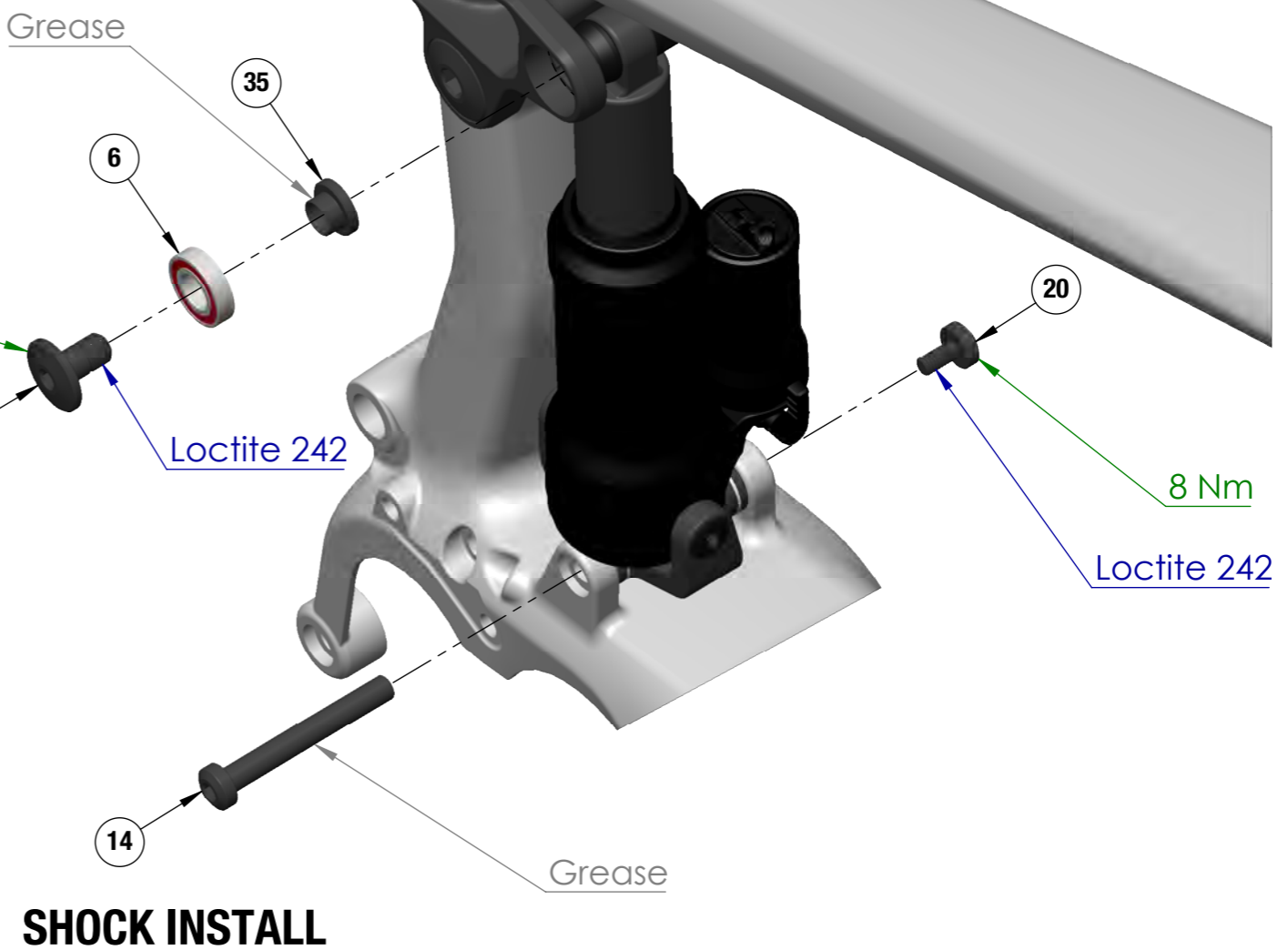
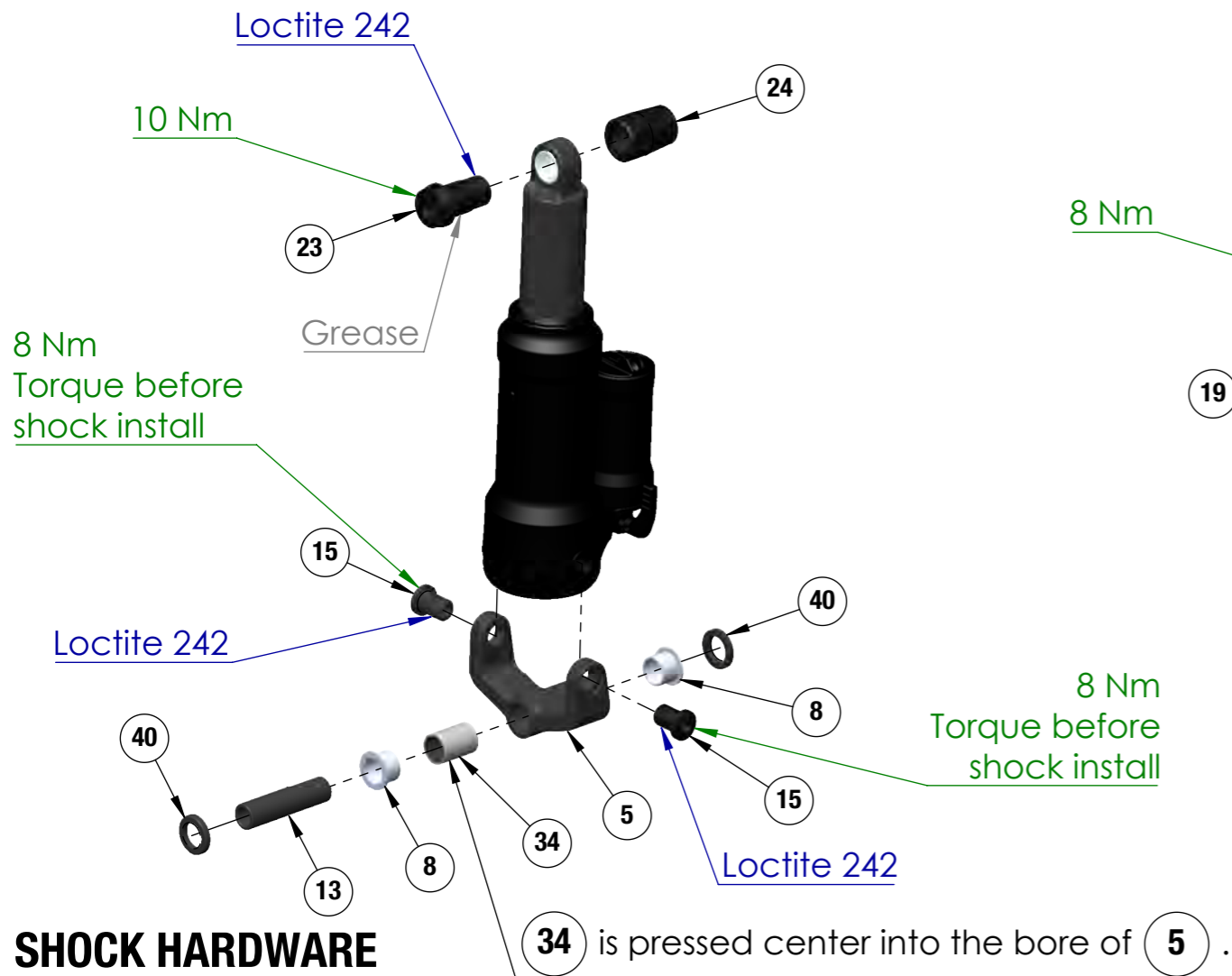
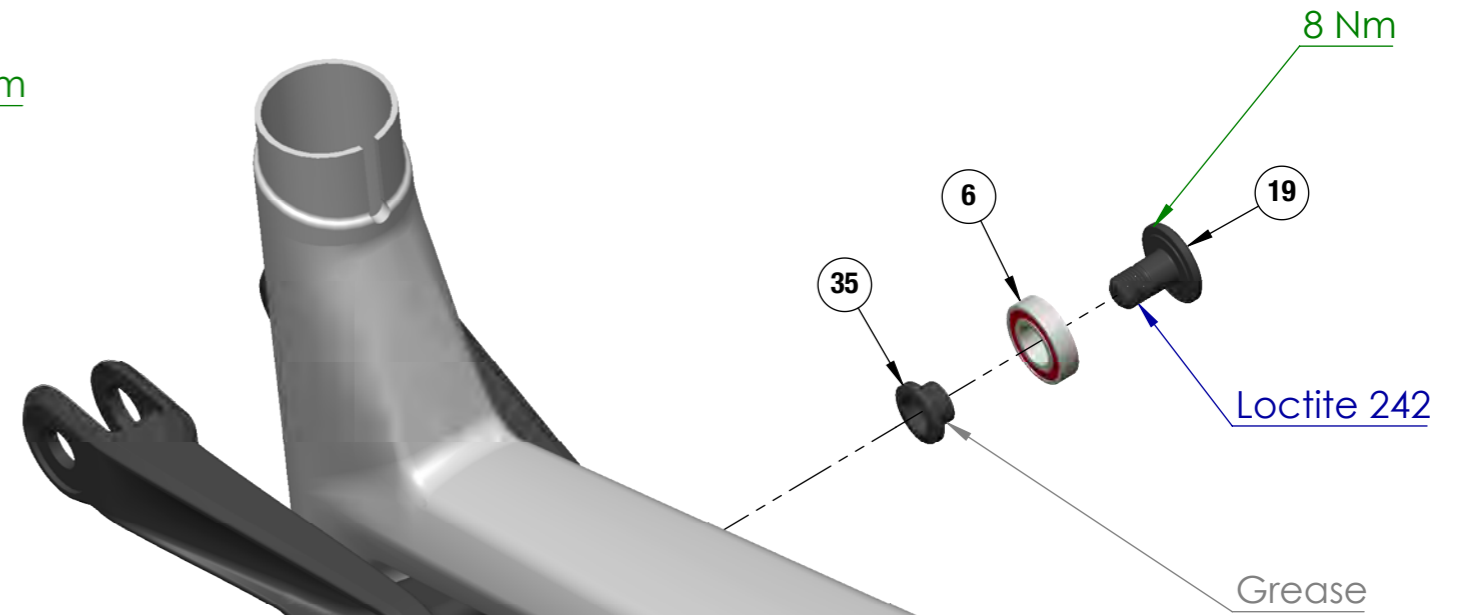


ORDER	PIVOT NAME	TORQUE	TOOL
1	FRONT TRIANGLE TO LINKARM	12 Nm	5mm HEX
2	UPPER SHOCK HARDWARE	10 Nm	5mm HEX
3	LOWER SHOCK HARDWARE	8 Nm	5mm HEX
4	LINKARM TO SHOCK	8 Nm	5mm HEX
5	FRONT TRIANGLE TO SHOCK	8 Nm	5mm HEX
6	CHAIN STAY TO FRONT TRIANGLE	14 Nm	18mm SOCKET & 8mm HEX
7	CHAIN STAY TO SEAT STAY	10 Nm	6mm HEX
8	LINKARM TO SEAT STAY	10 Nm	5mm HEX
9	HANGER	20 Nm (LH)	8mm HEX
10	AXLE	10 Nm	5mm OR 6mm HEX AS PER SPEC.
11	BATTERY BRACKET BOLTS	4 Nm	4mm HEX
12	DRIVE UNIT SPACERS	12.5 Nm	12mm WRENCH
13	DRIVE UNIT MOUNT BOLTS	10 Nm	5mm HEX
14	DRIVE UNIT COVER BOLTS	1 Nm	4mm HEX
15	DRIVE UNIT ADAPTER BOLTS (E7000 ONLY)	1 Nm	2.5mm OR 2mm HEX
16	CHARGE PORT BOLTS	1 Nm	2mm HEX
17	CHAINGUIDE BOLTS	3 Nm	T25 TORX
18	BOTTLE & RANGE EXTENDER BOLTS	3 Nm	4mm HEX
19	SEAT CLAMP	5 Nm	4mm HEX

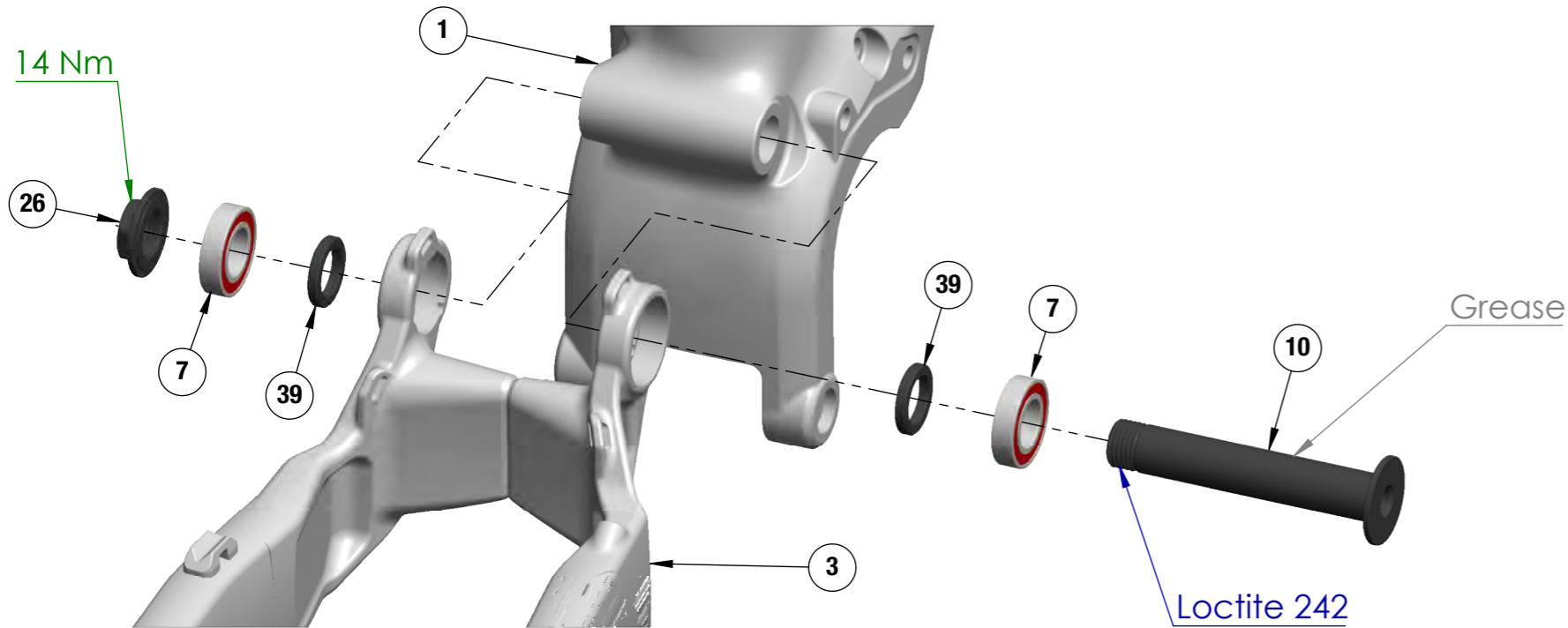
PIVOT HARDWARE



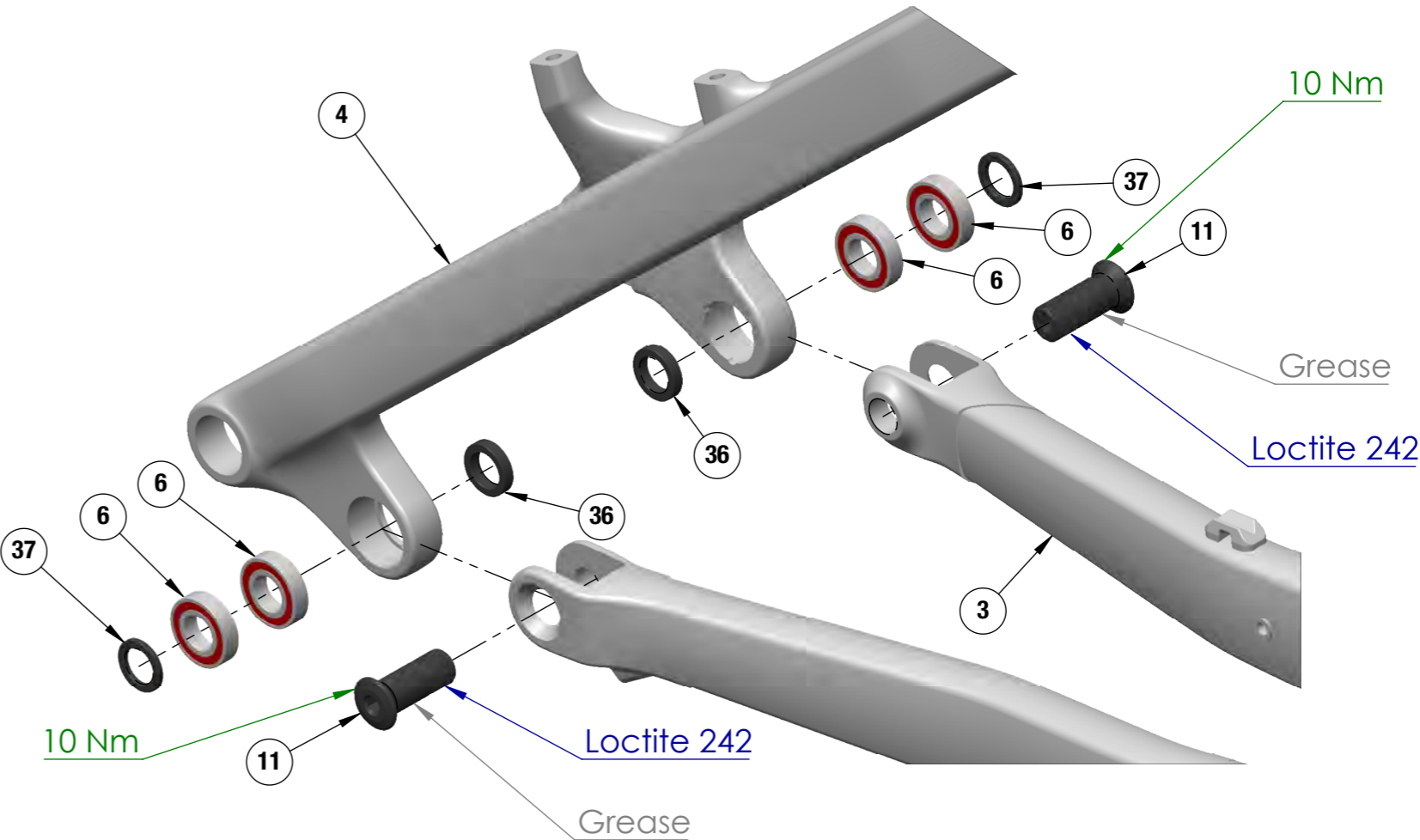
FRONT TRIANGLE TO LINKARM PIVOT



PIVOT HARDWARE

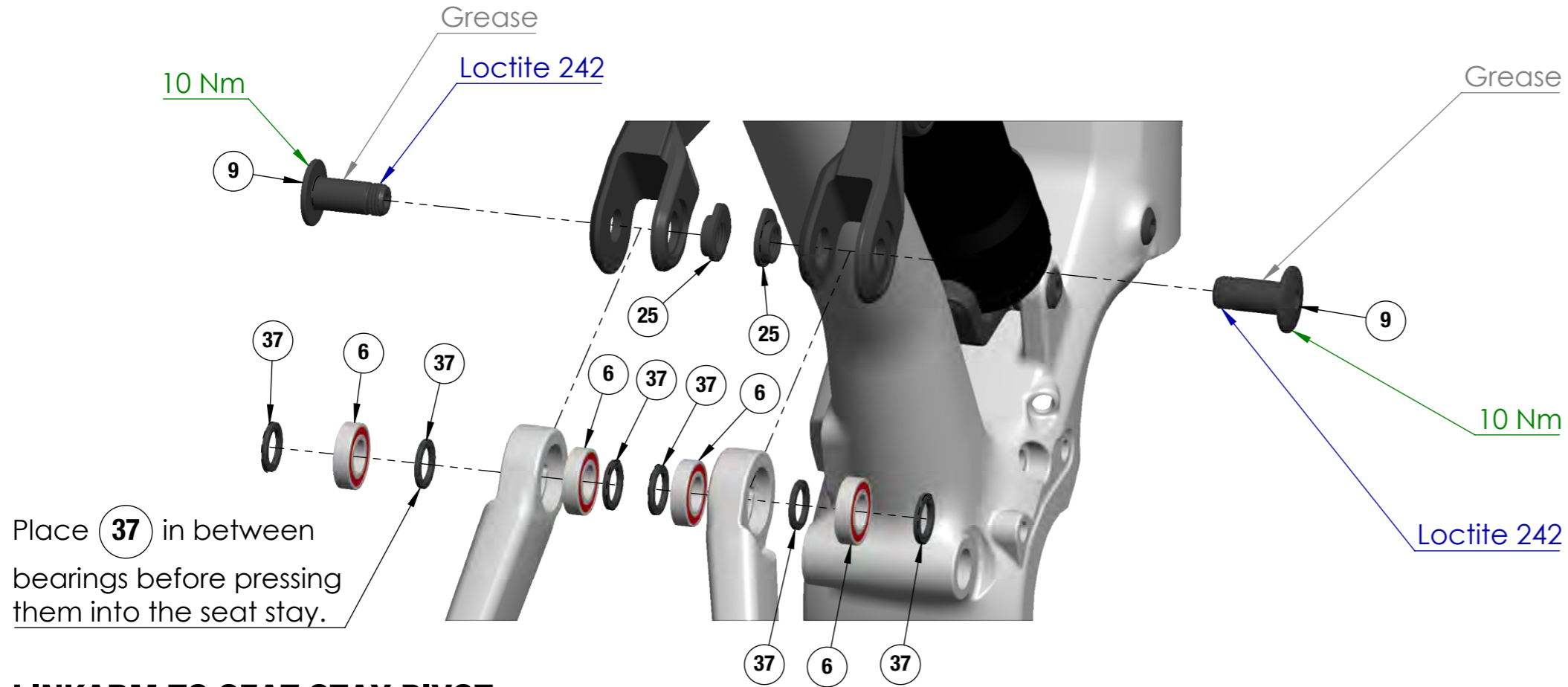


CHAIN STAY TO FRONT TRIANGLE PIVOT

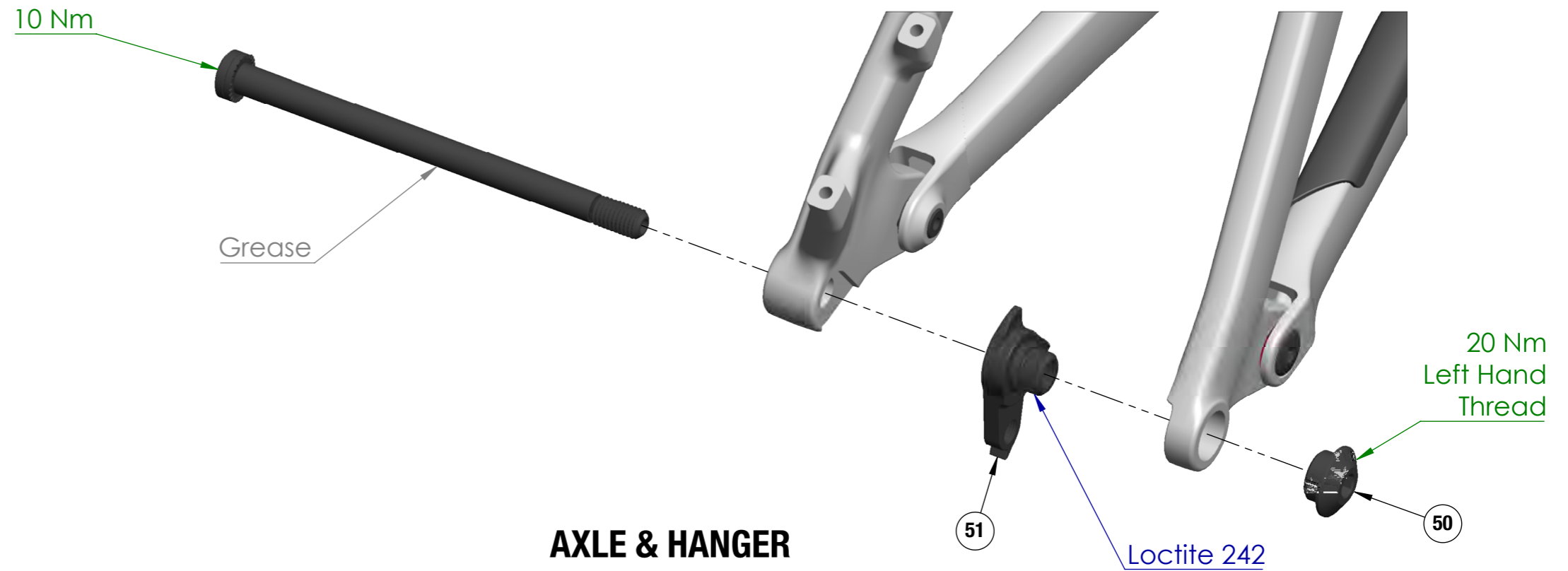


CHAIN STAY TO SEAT STAY PIVOT

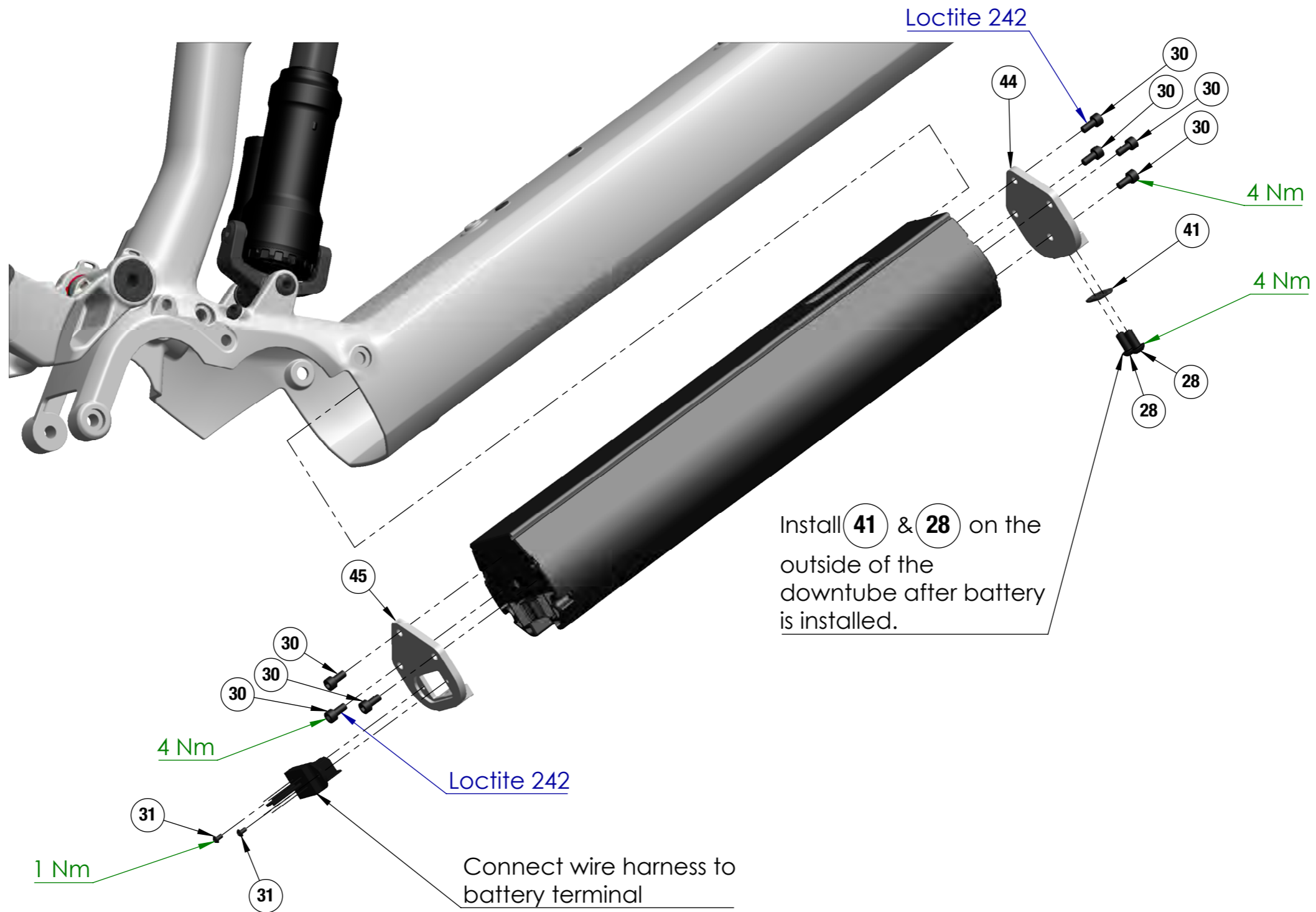
PIVOT HARDWARE



LINKARM TO SEAT STAY PIVOT



BATTERY INSTALL

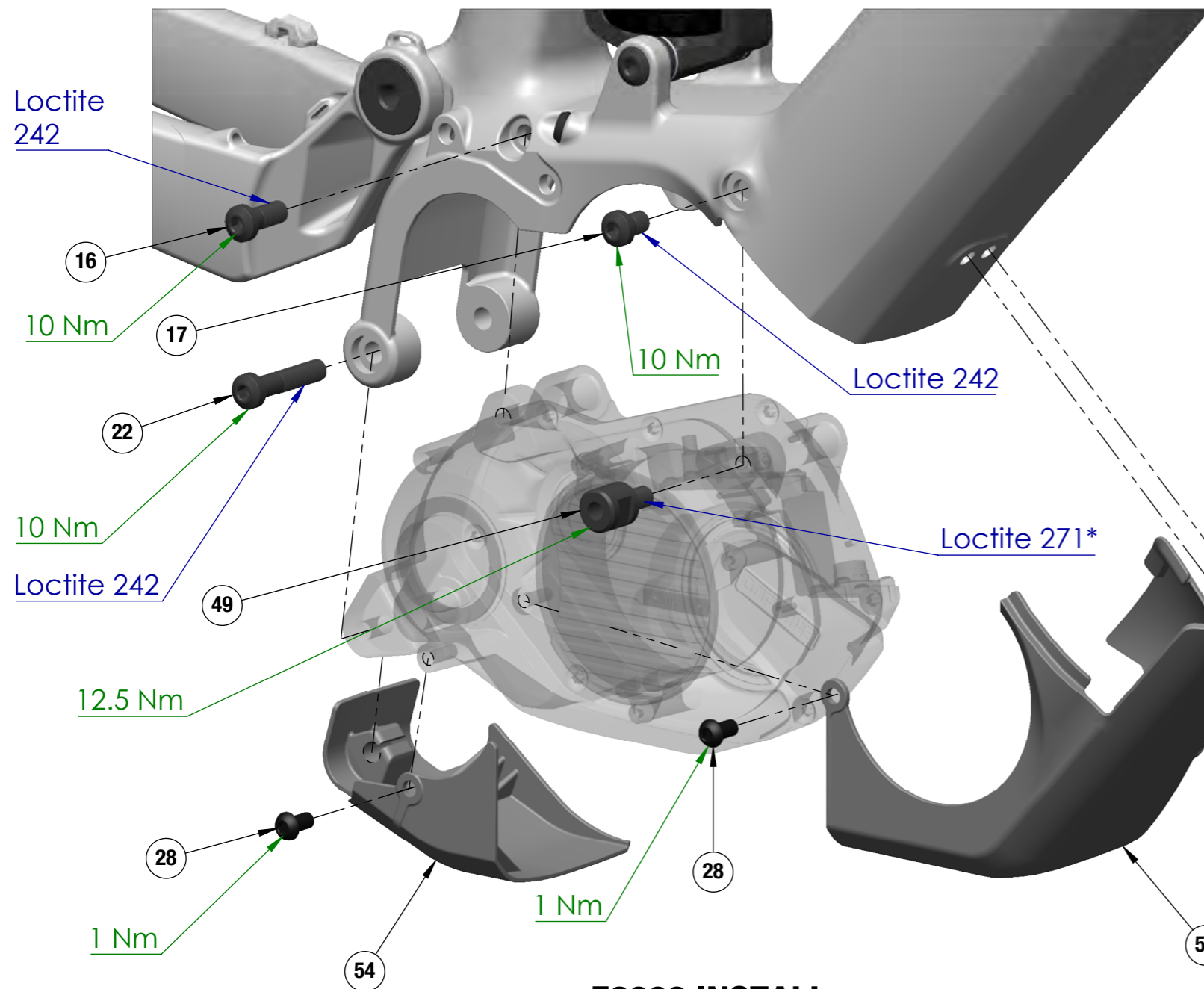


Sequence of Install:

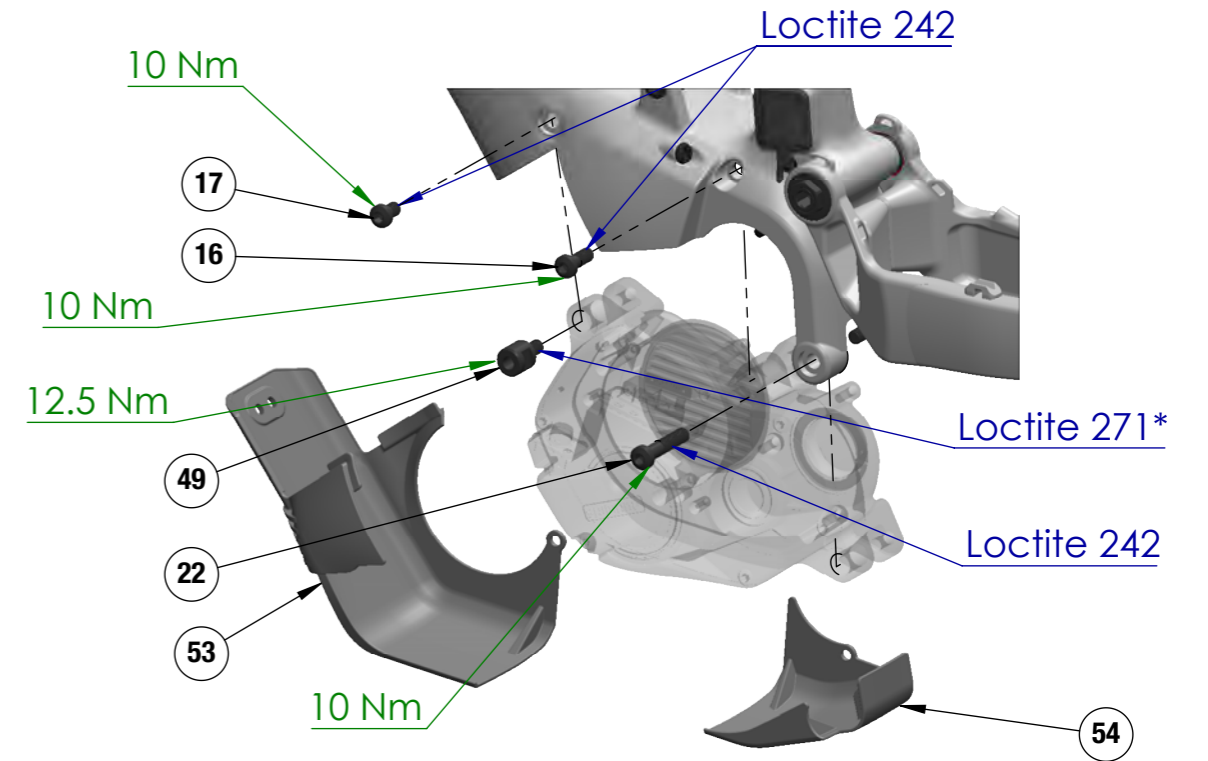
1. Secure battery mounting brackets (44) & (45) to the battery using (30) .
2. Connect wire harness to battery and secure to mounting bracket (45) using (31) .
3. Slide battery into downtube.
4. Secure battery in place using spacer (41) & bolts (28) .



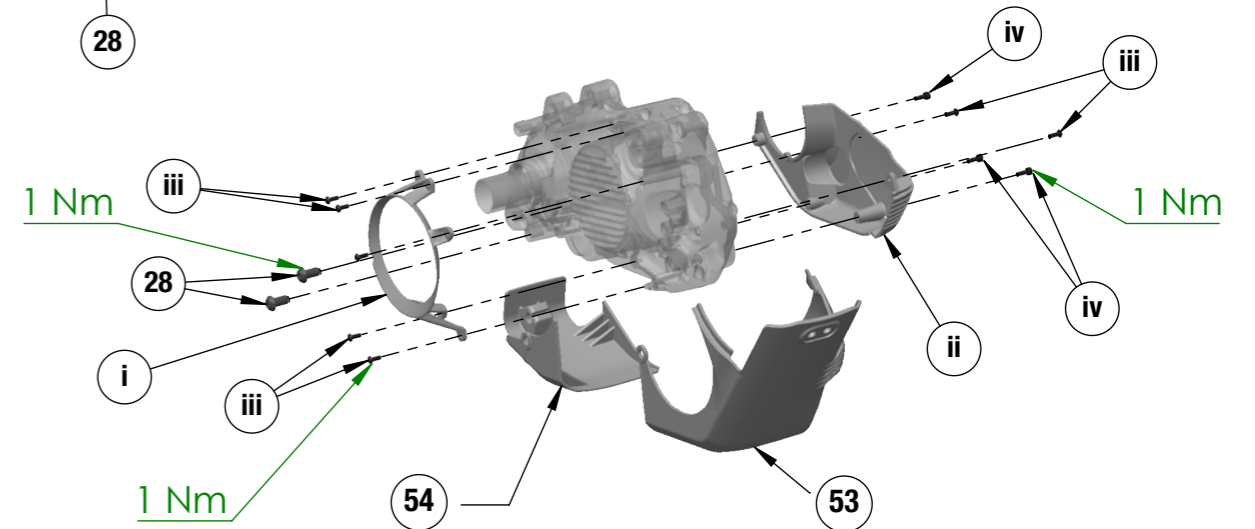
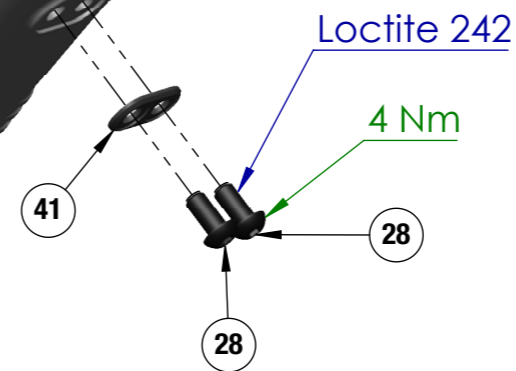
MOTOR INSTALL



**E8000 INSTALL**  
DRIVE SIDE VIEW



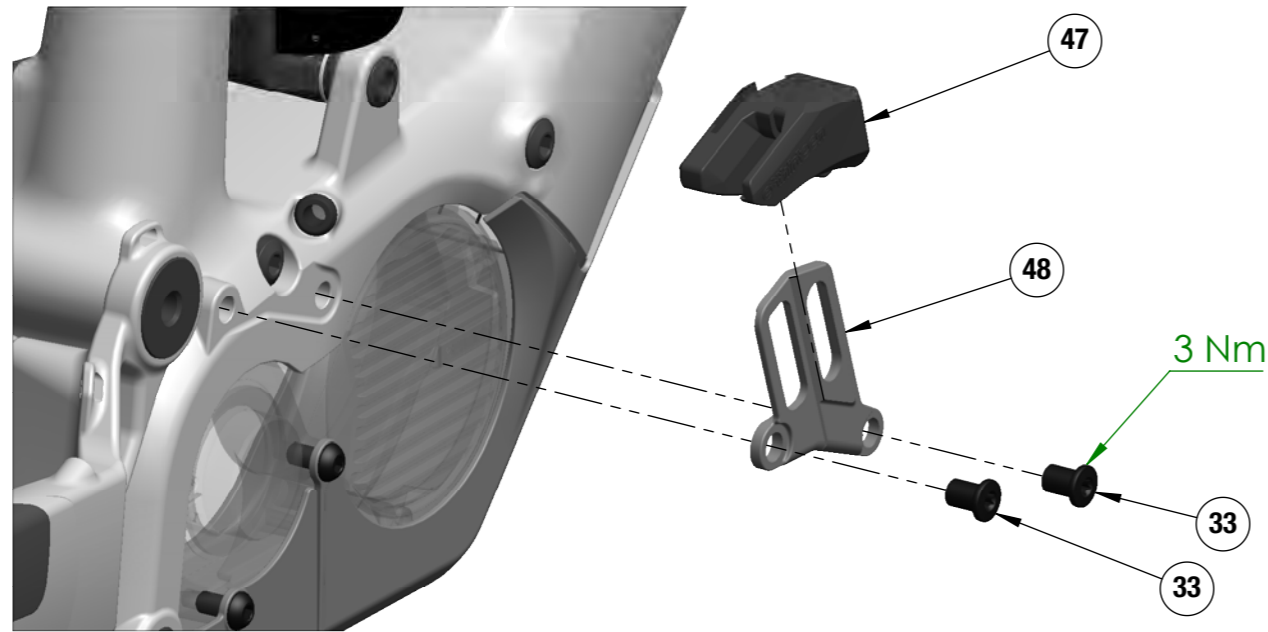
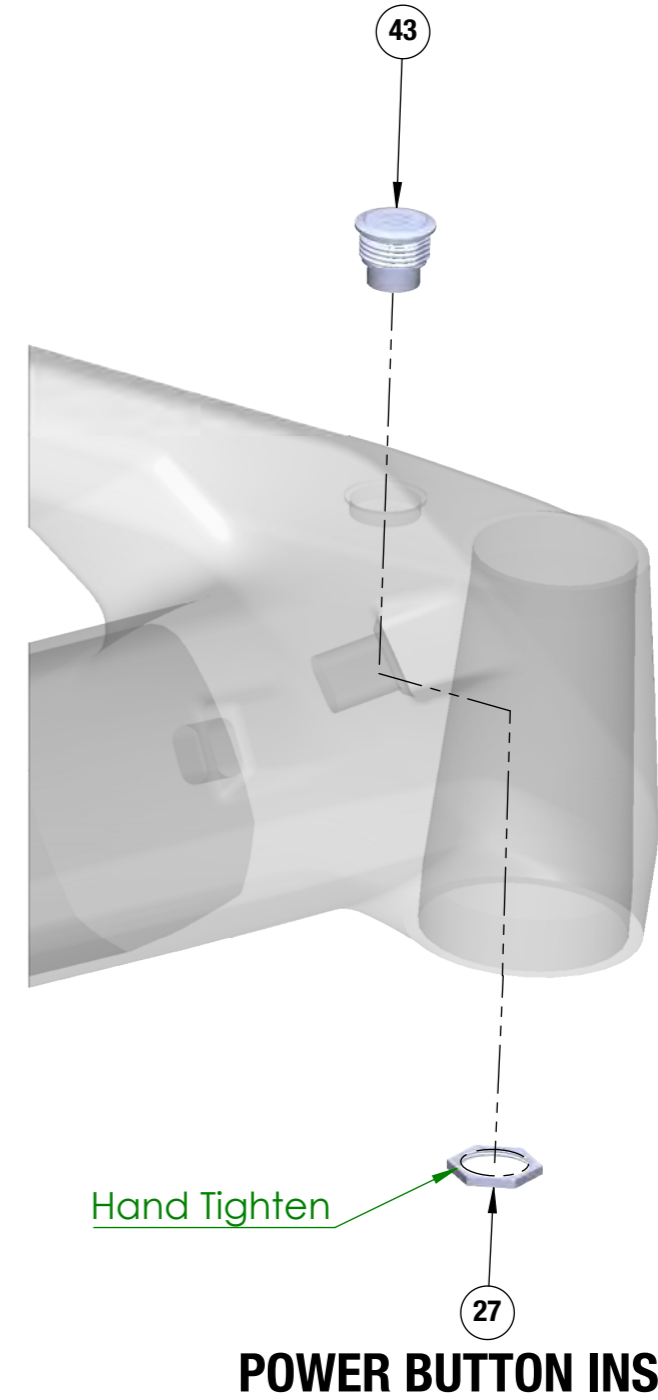
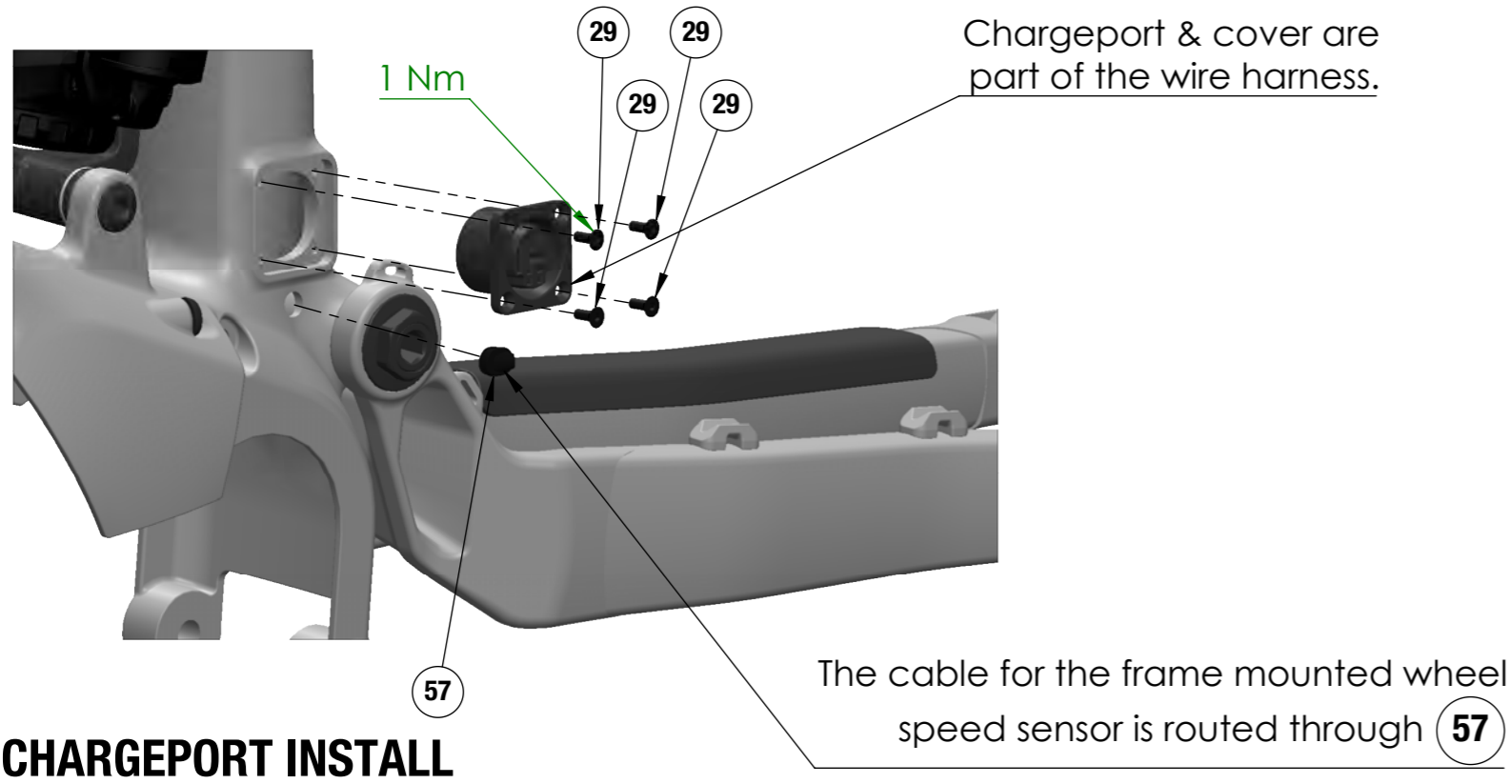
**E8000 INSTALL**  
NON-DRIVE SIDE VIEW

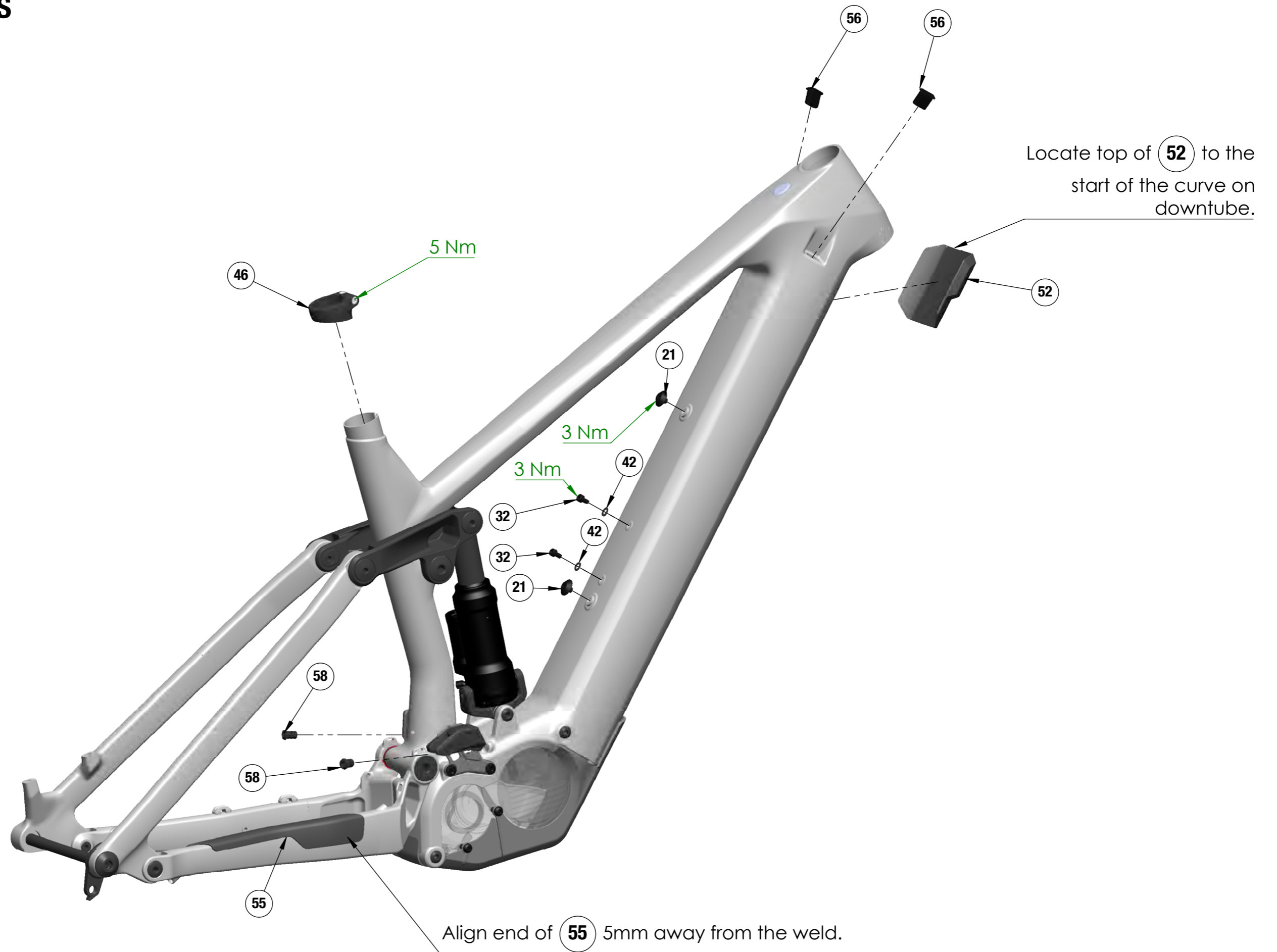


**E7000 INSTALL**

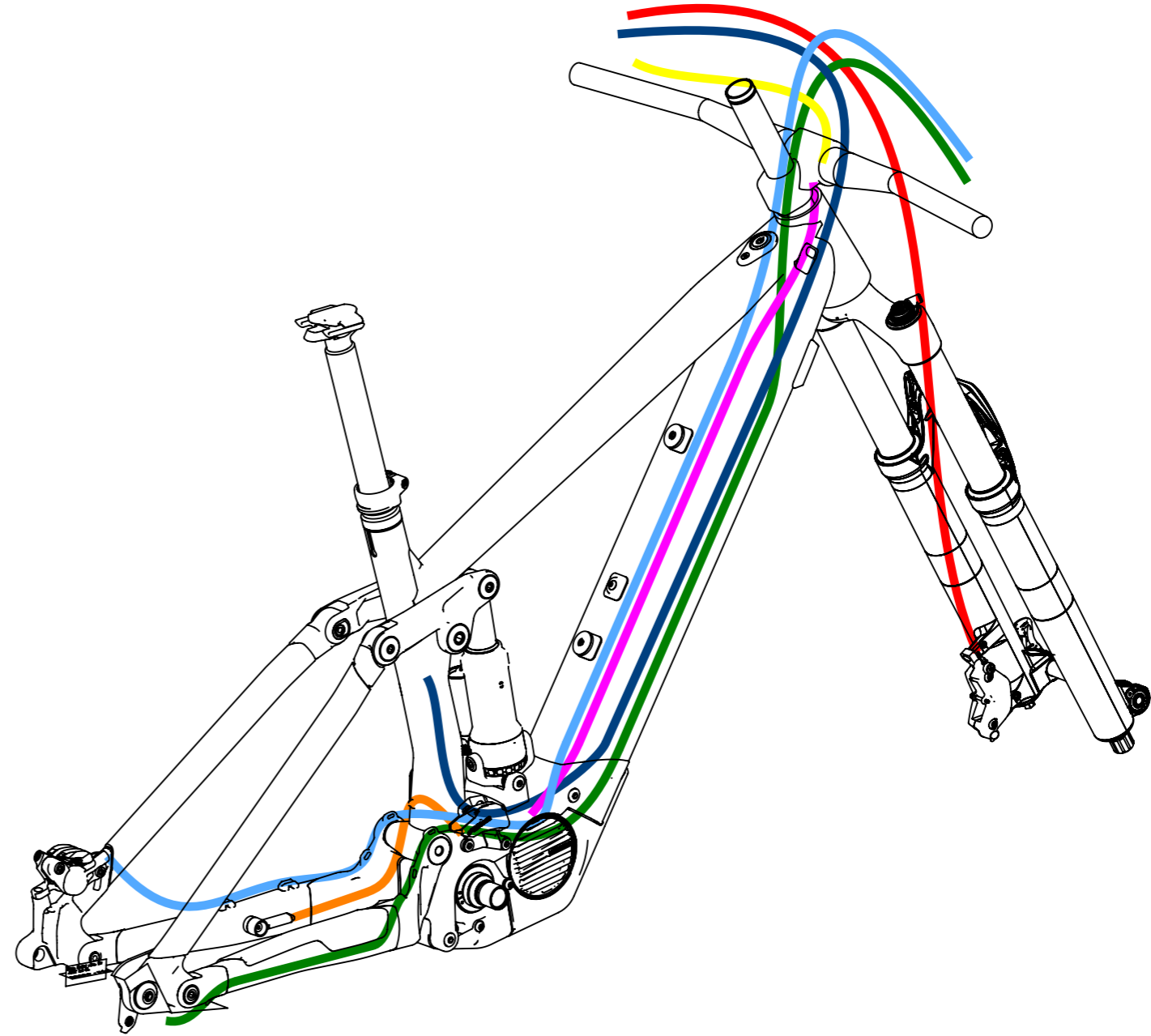
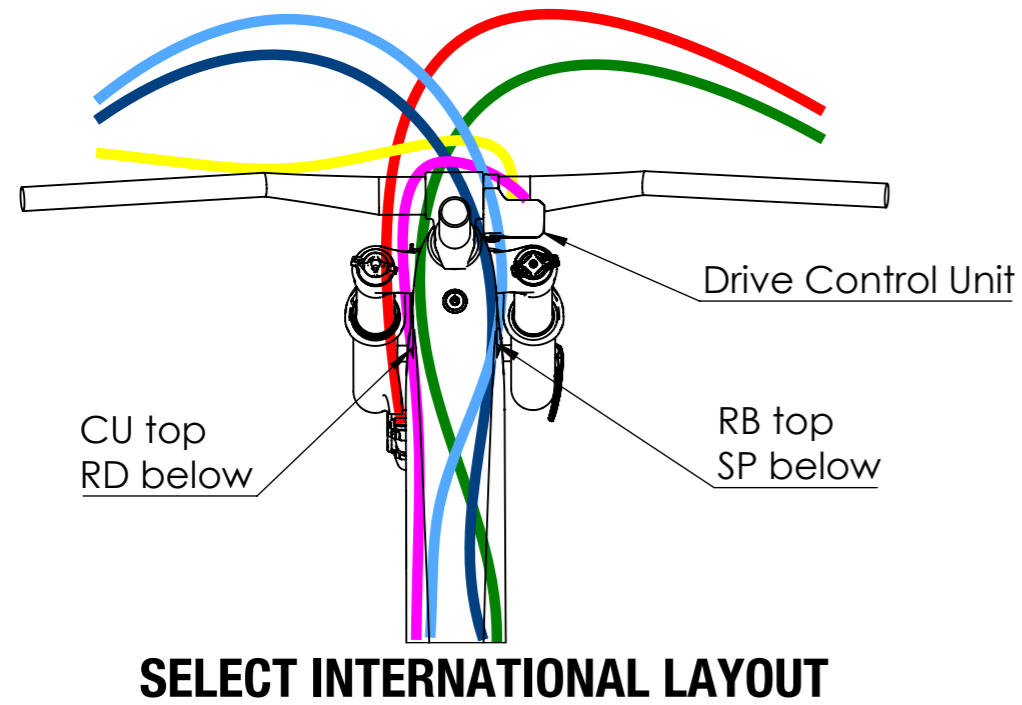
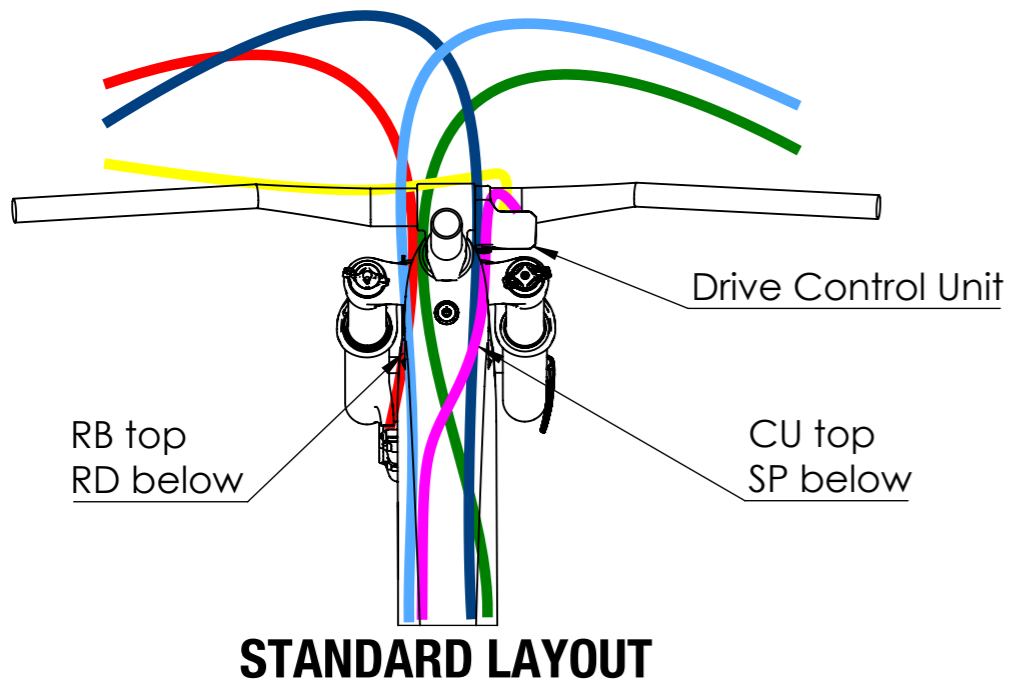
Note: **49** requires high strength permanent threadlocker. Use Loctite 271 or equivalent.

ELECTRICAL





CABLE ROUTING



LEGEND	
	Front Brake Hose (FB)
	Rear Brake Hose (RB)
	Rear Derailleur Cable (RD)
	Seatpost Cable (SP)
	Drive Unit Shifter Cable (DuS)
	Control Unit cable (CU)
	Wheel Speed Sensor

