



A division of Chatsworth Products

Mounting Solutions for Wi-Fi Access Points

# Solutions Guide

Simple Wi-Fi access point  
mounting solutions for  
every environment.



**Quickly find your ideal  
mounting solution from  
among hundreds of  
options with Oberon's  
Solution Finder at  
Oberonwireless.com.**

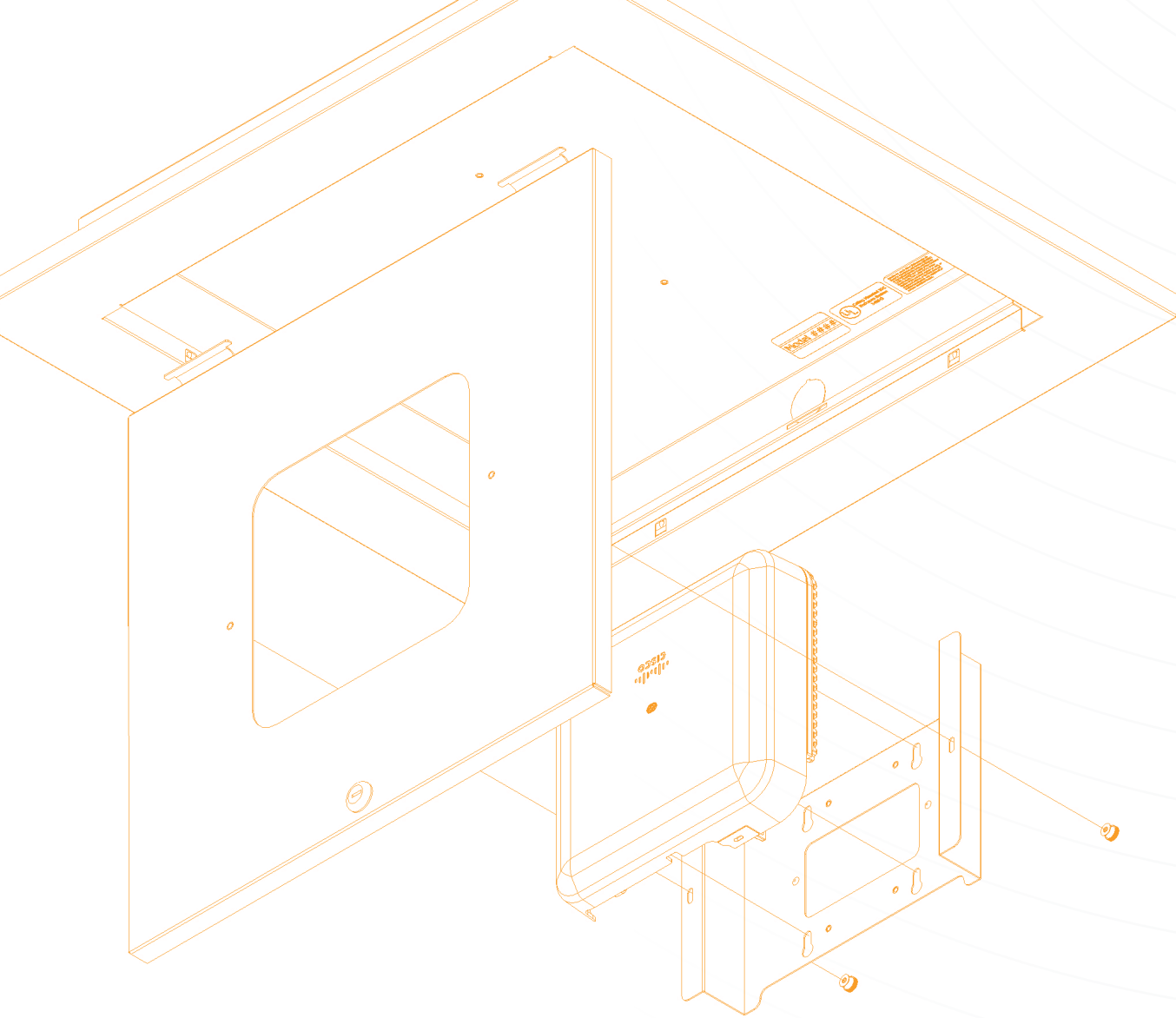
# Secure Aesthetic Convenient

You need enclosures and mounting solutions for wireless access points in a wide variety of environments. Oberon ensures every wireless installation is secure, easy to maintain, and matches your aesthetic.

## Collections by Page

- 2 — Wi-Tile™
- 4 — In-Plane™
- 6 — H-Plane™
- 8 — Hi-Bar™
- 10 — Skybar™
- 12 — Netpoint™
- 14 — M-Frame™
- 16 — AP Covers
- 18 — Retrofit Doors and Trims
- 19 — Accessories





## Wi-Tile™ Collection

**Provide security for vital Wi-Fi and small cell access points without compromising connectivity with Wi-Tile locking enclosures for suspended and hard ceilings.**

Designed to replace a standard suspended ceiling tile, the Wi-Tile's full back-box permits access to the AP without opening the plenum space. This convenient feature is of special benefit to healthcare environments, as it simplifies Infection Control Risk Assessment (ICRA) procedures. Ideal for any environment where security is paramount, including financial, retail and government facilities.



- > **Ensure security for your mission-critical networks**
- > **Locking and interchangeable doors for all leading AP vendors**
- > **Aesthetically designed for lay-in or tegular tiles**
- > **Simplifies Infection Control Risk Assessment (ICRA) Procedures**



## 1047 Series

Oberon's most popular enclosure offers the security and professional aesthetics required in a suspended ceiling environment. This economical, locking, 2 x 2 ft. (593 x 593 mm) ceiling enclosure mounts and secures Wi-Fi and small cell APs flush to the ceiling. The steel enclosure replaces a standard ceiling tile, and its larger back-box is suitable for larger APs and antennas. The enclosure is only 4" deep facilitating installation in crowded plenum spaces. APs are mounted in the door or inside models with ABS or frosted polycarbonate plastic domes. The interchangeable door simplifies AP and antenna moves, adds and changes. The 1047 dash number (see images) indicates the AP for which the door is designed. Interchangeable doors are available for all leading vendors' APs. Styles are available for both standard flush grid and recessed grid ceilings, and for both North American and European (metric) ceiling systems. UL listed for ceiling installations.



1047-ARAP555



1047-COAP9130



1047-MR52



1047-LPDOME

## 1047-LW Series

This series includes all the features making the 1047 Series Oberon's most popular line with one key difference - it features a lightweight aluminum back-box, reducing product weight by 5 lbs. The lighter enclosure aids in installation, and it features the same interchangeable doors as the 1047 Series. UL listed for ceiling installations.

## 1077 Series

This locking 2 x 2 ft. (593 x 593 mm) ceiling enclosure mounts and secures Wi-Fi and small cell APs flush to the ceiling. The enclosure is only 4" deep, facilitating installation in crowded plenum spaces. This series is UL listed for both low-voltage and line voltage installations in ceiling spaces. The interchangeable door simplifies AP and antenna moves, adds and changes. The 1077 dash number (see images) indicates the AP for which the door is designed. Interchangeable doors are available for all leading vendors' APs.



1077-COAP9130

Discover the full Wi-Tile™ collection at [Oberonwireless.com/Collection/Wi-Tile](https://Oberonwireless.com/Collection/Wi-Tile).

# In-Plane™ Collection

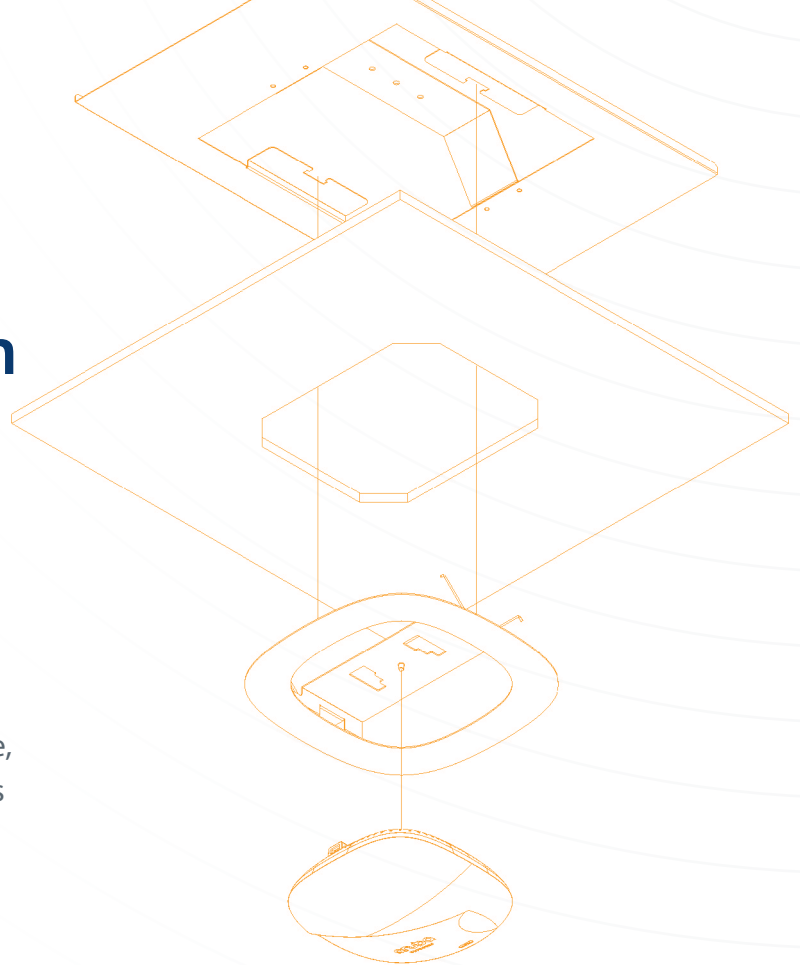
Recess Wi-Fi access points into panel, suspended, or hard ceilings for an aesthetic look with optimum wireless performance.

Oberon's In-Plane ceiling mounts reveal only the wireless side of the AP for a sleek and professional look. AP-specific trims or paintable, low-profile, RF-transparent concealment covers complete the aesthetic.

These products are designed to aesthetically integrate wireless technology into any venue, especially locales that are architecturally, historically or visually sensitive.



- > Interchangeable, snap-in trims simplify AP installation and service
- > Paintable covers blend seamlessly into the environment
- > Recess APs into suspended ceiling tiles, ceiling panels, and hard ceilings



1040-COAP9130



1040-COAP9120

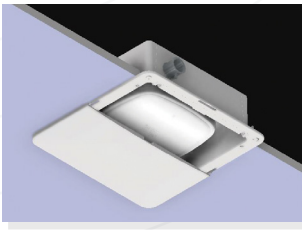


1040-FLRD

## 1040 Series

The Model 1040 Series is an economical cloud/canopy/suspended ceiling mounting kit for most vendors' APs and antennas. Only the front face is exposed for optimal wireless coverage. A cutout is made in the ceiling panel, the panel bridge is placed above the ceiling panel, and the AP is attached to the white trim and drawn into the panel bridge with a torsion spring, much like a recessed lighting fixture. Models 1040-FL and FLRD include a universal mounting plate and low-profile ABS plastic cover, while Model 1040-ANTPLATE conveniently mounts multiple antennas in a low-profile cover. The 1040 features interchangeable AP trims for future AP migrations.

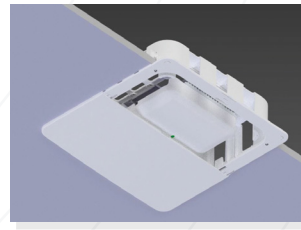




1018-00

## 1018 Series

Oberon's Model 1018 provides a convenient way to conceal Wi-Fi and small cell Wi-Fi access points into a drywall ceiling or wall for an aesthetic, professional installation. The 1018 is an all-plastic recess box with mounting features for leading vendors' APs. The recess box installs into an opening in the ceiling or wall in minutes. The AP, surface mount box, patch cord, and associated cabling can be organized inside the recess box, and the low-profile cover snaps into place. The paintable white cover largely blends into most ceilings or walls. Oberon's Model 1018 is uniquely designed to satisfy UL 2416 requirements for in-wall mounted enclosure systems. Unlike metal in-wall boxes, the Model 1018 will have minimum impact on wireless performance.



1019-RM

## 1019 Series

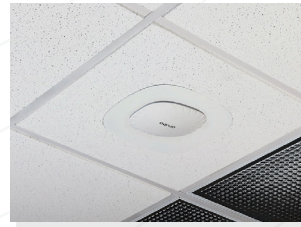
This extremely low-profile enclosure conceals Wi-Fi and small cell APs, Wi-Fi routers, and associated cabling in residence halls, hotels, multiple dwelling units, retail locations and other indoor venues. The recessed AP is covered by a snap-on cover which looks great in most environments and can be painted to match historic or colorful settings. The UL 94-5VB ABS plastic enclosure is virtually transparent to wireless signals for optimum wireless coverage. To facilitate cable termination and management, the 1019 features slots for TIA 569-B compliant furniture faceplate RJ-45 modular jacks.



1042-FLRD

## 1042 Series

The 1042 Series offers the simplest way to mount APs and antennas from most leading vendors into existing hard (drywall/ sheetrock) ceilings up to 1.5 in. thick, for an aesthetic, professional installation. A cutout is made in the ceiling and the all-metal back-box is fastened into the ceiling or wall. The AP fastens to the appropriate trim, and the AP/trim attaches to the back-box with torsion springs. The AP is recessed into the ceiling much like a recessed light fixture, with only the front face exposed for optimal wireless coverage. Interchangeable trims are available for all leading AP vendors. In Models 1042-FL and -FLRD, the AP mounts on a universal mounting plate, and the AP is concealed by a low-profile ABS plastic cover for an aesthetic, paintable recessed installation. UL Listed.

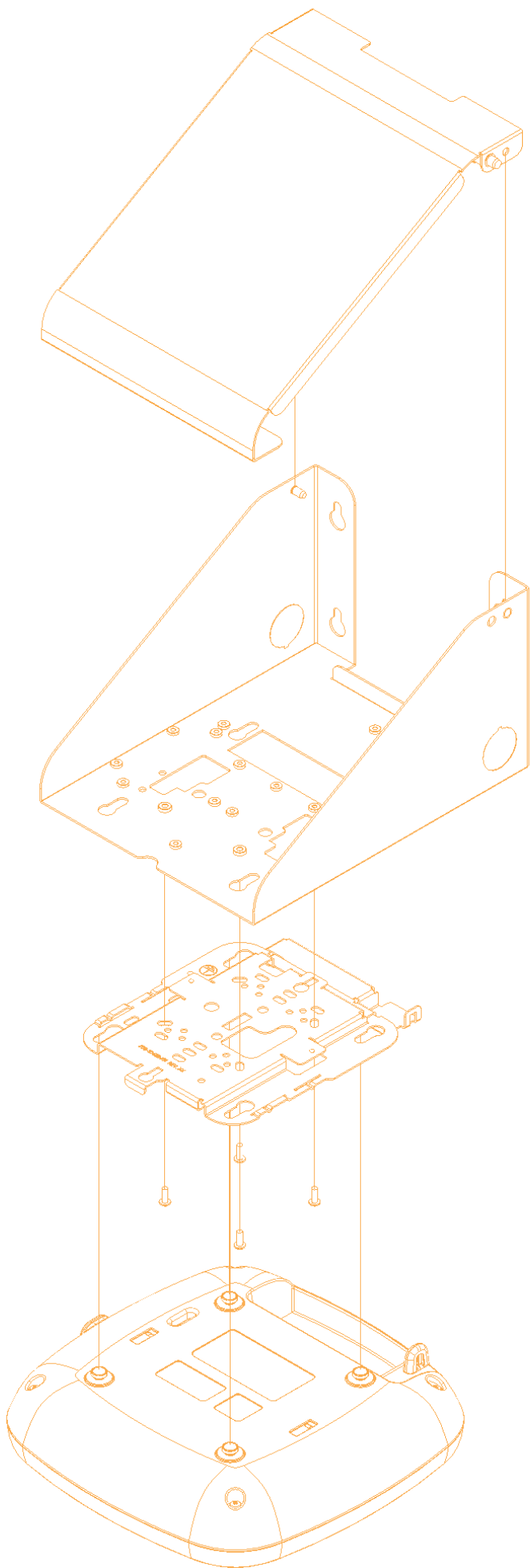


1044-ARAP535

## 1044 Series

The Model 1044 Series is an economical, aesthetic, and easy-to-install suspended ceiling mounting kit for APs and antennas from most vendors. A cutout is made in the ceiling panel, the tile bridge and back-box is placed above the ceiling panel, and the AP or antenna is attached to the white trim. AP/antenna/ trim assembly is then drawn into the back-box with a torsion spring, much like a recessed lighting fixture, with only the front face exposed for optimal wireless coverage. Interchangeable trims are available for all leading AP vendors. In Models 1044-FL and -FLRD the AP mounts to a universal mounting plate, and the AP is concealed by a low-profile ABS plastic cover for an aesthetic, paintable recessed installation. UL Listed.

Discover the full In-Plane™ collection at [Oberonwireless.com/Collection/In-Plane](https://Oberonwireless.com/Collection/In-Plane).



## H-Plane™ Collection

Mount Wi-Fi access points horizontally on walls and in open ceilings with Oberon's H-Plane right-angle bracket mounts.

In large open spaces, it is often necessary to surface-mount APs to walls or ceiling structures. Many Wi-Fi and small cell access point manufacturers recommend APs be mounted in a horizontal orientation for optimal wireless coverage. With Oberon's H-Plane right-angle wall mounts, the AP can be mounted on the wall in the preferred horizontal orientation. Enhance wireless coverage in wide-open venues such as auditoriums, conference rooms, exhibit halls and restaurants.



- > Mount APs in the preferred horizontal position
- > Mounting features for all leading APs
- > Optimal wireless coverage, even in large areas

Discover the full H-Plane™ collection at [Oberonwireless.com/Collection/H-Plane](https://Oberonwireless.com/Collection/H-Plane).







900-HC-WH

## 900-HC Series

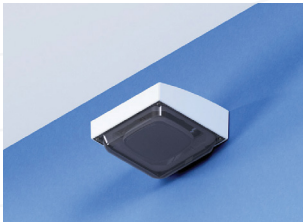
Position access points in open ceilings at the right height and orientation for optimal coverage with Oberon's Model 900-HC Series. The 900-HC mounts APs from all leading vendors directly onto a hanging conduit in open ceilings, and can alternatively be used for surface mounting on walls. The hinged design facilitates the standards-compliant termination of horizontal cable inside the box, making it simple to connect the patch cord to the access point. Available in white and black - add a matching black AP vanity cover to conceal the AP in many open ceiling environments.



905-ARAP535

## 905 Series

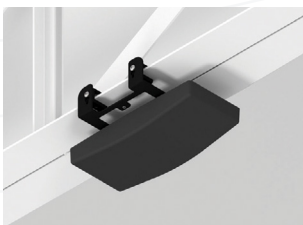
Mount and secure Cisco and Aruba Wi-Fi Access Points directly on the wall or hard ceiling with Oberon's H-Plane Model 905 Series. The 905 can be mounted directly over a wall outlet. The 905 has an Access Point specific hinged cover, which recesses the AP into the box, providing a low-profile, aesthetic appearance. Cabling is terminated inside the 905, and the 905 locks and secures both Access Point and cabling. The 905 also has knockouts for jack modules to provide network plug-in locations.



1007-FPDOME

## 1007 Series

This is Oberon's most attractive right-angle wall mount. Use where aesthetics are paramount. The 1007 Series is an attractive white plastic mount with interchangeable trims for all leading vendors' APs. The AP is mounted in the trim and recesses into the mount, providing for the ideal combination of aesthetics and wireless coverage. A locking plastic cover on the back secures and conceals cabling and connectivity, providing for a nicely finished installation. Oberon's 1007 Series right-angle wall mounts permit the AP to be mounted on walls in the preferred horizontal orientation, even where appearance is most critical.



1008-00-BK

## 1008 Series

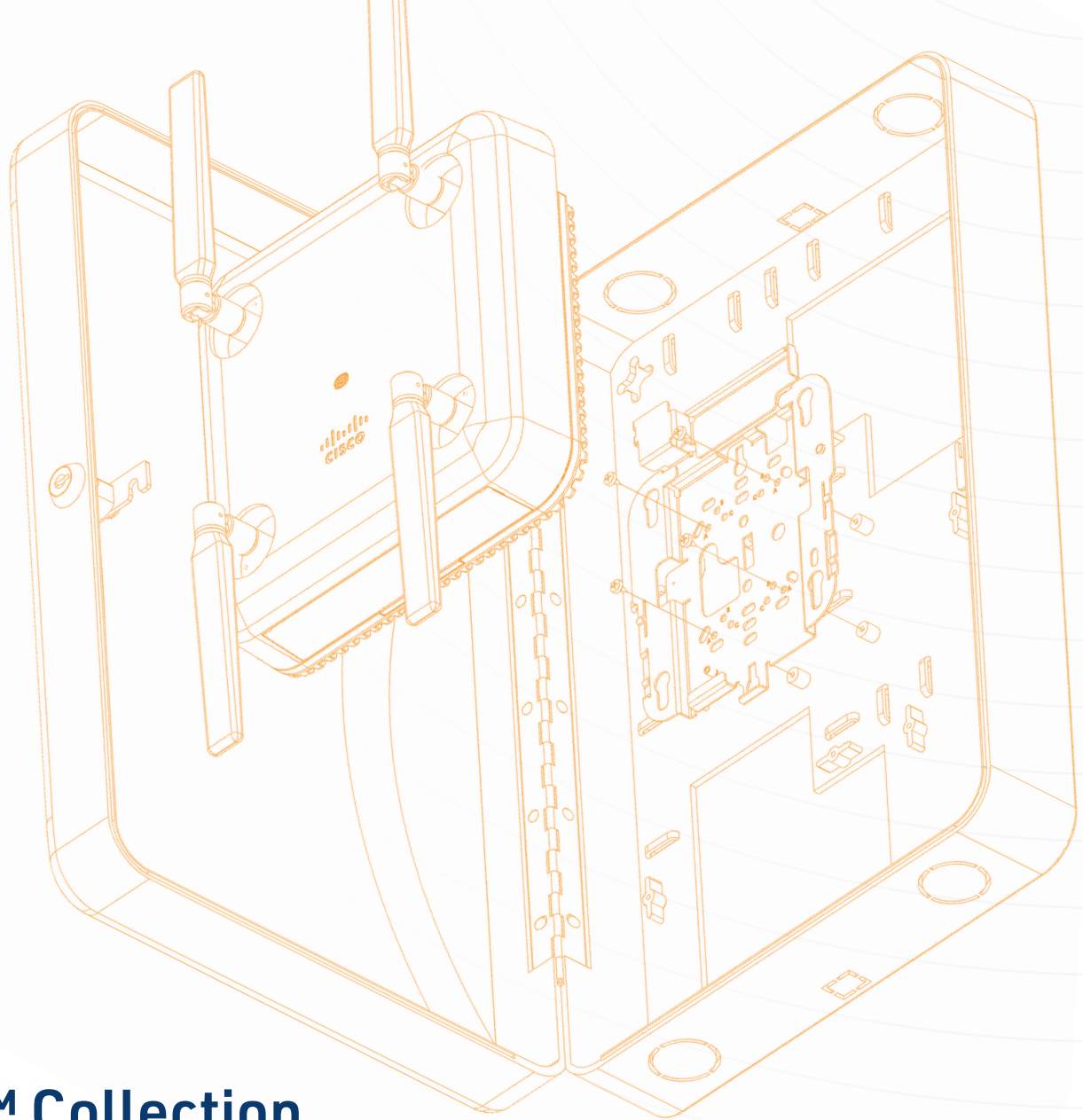
Restaurants, retail establishments, and many other environments with open ceilings can benefit from this convenient joist or wall mounting solution. Quickly install AP in preferred horizontal orientation. Mounting features are available for all leading vendors' APs. Includes two beam clamps and wall anchors. The AP can be locked in place using the AP manufacturer's locking features. Add a matching black AP vanity cover to help to conceal AP in open ceiling environments.



1011-00-WH

## 1011 Series

Achieve optimal wireless coverage by mounting Wi-Fi AP in preferred horizontal orientation on walls. This H-Plane right-angle mounting bracket has a hinged, snap-down cover and sidewalls to help conceal cabling and can be placed directly over data outlet. Mounting features for Cisco and Aruba Networks APs and includes universal T-bar for most other vendors' APs. Attractive powder-coated steel finish. Ideal for hard lid environments such as hotels and retail spaces. Add a matching black AP vanity cover to help to conceal AP in open ceiling environments.



## Hi-Bar™ Collection

**Protect and conceal Wi-Fi access points on walls and hard ceilings.**

Oberon's Hi-Bar mounts and enclosures are ideal for securing, and concealing APs, cabling and antennas on walls and hard ceilings. Often used in commercial, healthcare, and education venues, Hi-Bar features RF-transparent materials for providing coverage where it is needed and a layer of physical protection for the AP. Most models can optionally be placed directly over the data outlet for utmost convenience. Mounting solutions are available for all leading AP models.



- > **Protect your APs in a variety of installation environments**
- > **Designed for professional installations**
- > **Conceal APs, antennas, and cabling**



## Architecturally sensitive environments demand the low profile and security of Hi-Bar™ mounts and enclosures.



1013-COVER

### 1013 Series

This 2-axis articulating wall mount secures most manufacturers' APs and directive (or patch) antennas on pillars and walls. AP and directional antenna attach to this mount, and the antenna can be pointed in any direction to achieve desired wireless coverage. The wall mount bracket can be placed directly over data outlet for convenience. Ideal for anywhere directional coverage is required, such as in classrooms, auditoriums and stadiums.



1015-1313

### 1015 Series

Oberon's 1015 Series enclosures secure and protect Wi-Fi and small cell APs in indoor venues such as residence halls, hotels, retail locations. This rugged ABS plastic enclosure is virtually transparent to wireless signals, so APs with integrated antennas may be protected. The box can be mounted directly over the telecommunication outlet, and the cable raceway or conduit can be conveniently terminated.

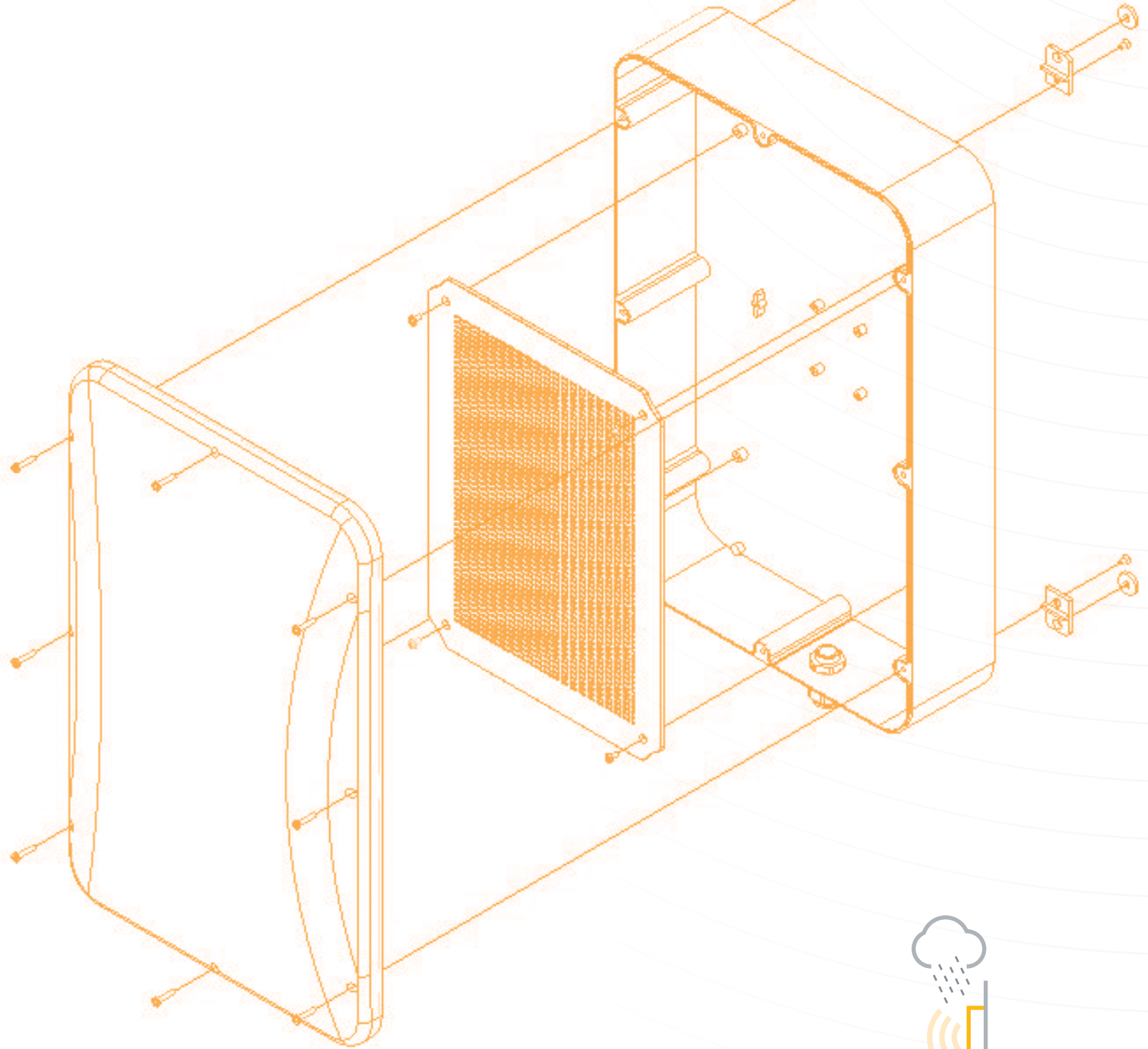


1016-00

### 1016 Series

This non-metallic Hi-Bar enclosure secures and protects APs, antennas, wireless routers and multiple networking components in offices, hotels, retail locations and other indoor venues. The rugged polycarbonate plastic enclosure is virtually transparent to wireless signals so APs with integrated antennas or small detachable or directional antennas may be protected. The box can be mounted directly over the telecom outlet, and power strip and cabling can be neatly concealed. Cable raceway or conduit can be conveniently terminated.

Discover the full Hi-Bar™ collection at [Oberonwireless.com/Collection/Hi-Bar](https://Oberonwireless.com/Collection/Hi-Bar).



## Skybar™ Collection

### Outdoor and public venue access point enclosures.

Oberon's Skybar outdoor products feature distinctly curved screw on covers, attractively colored and textured surfaces, and mounting features for most vendor's APs and antennas. Conceal and protect access points (APs), antennas, and cables in outdoor environments, campuses, beneath stadium and auditorium seats, or other venues where the AP needs to be protected from weather and tampering.

- > Keep wireless equipment safe from weather and tampering
- > NEMA 4X designs for weather protection
- > Tamper resistant screws to prevent tampering
- > Mounting options from light poles to stadium seats



## 1020 Series

Conquer challenging environments such as stadiums, auditoriums, gymnasiums, industrial settings, and outdoors with Oberon's 1020 Series compact NEMA 4-PW AP enclosures. This rugged polycarbonate enclosure protects the AP from weather, pressure spray, spilling liquids, dust and impacts, and is transparent to wireless signals so APs with body-integrated antennas may be protected. The enclosure is paintable and can be used to conceal and protect APs in many challenging locations. This is Oberon's most compact NEMA 4 enclosure for most APs. Available with clear cover (-C) or with a right-angle bracket (-RAB) for wall mounting. For underseat installations in auditoriums and public venues, Oberon recommends the underseat mounting (-USM30) configuration featuring a 30° mounting bracket.



1020-00 shown with 39-1020-RAB right angle mounting accessory



1020-00

**Oberon's Model 1020, 1021, and 1022 Series enclosures are now rated NEMA 4X-PW. The "-PW" in the model number indicates that this enclosure satisfies the NEMA ancillary rating for high-pressure power wash (PW) environments.**

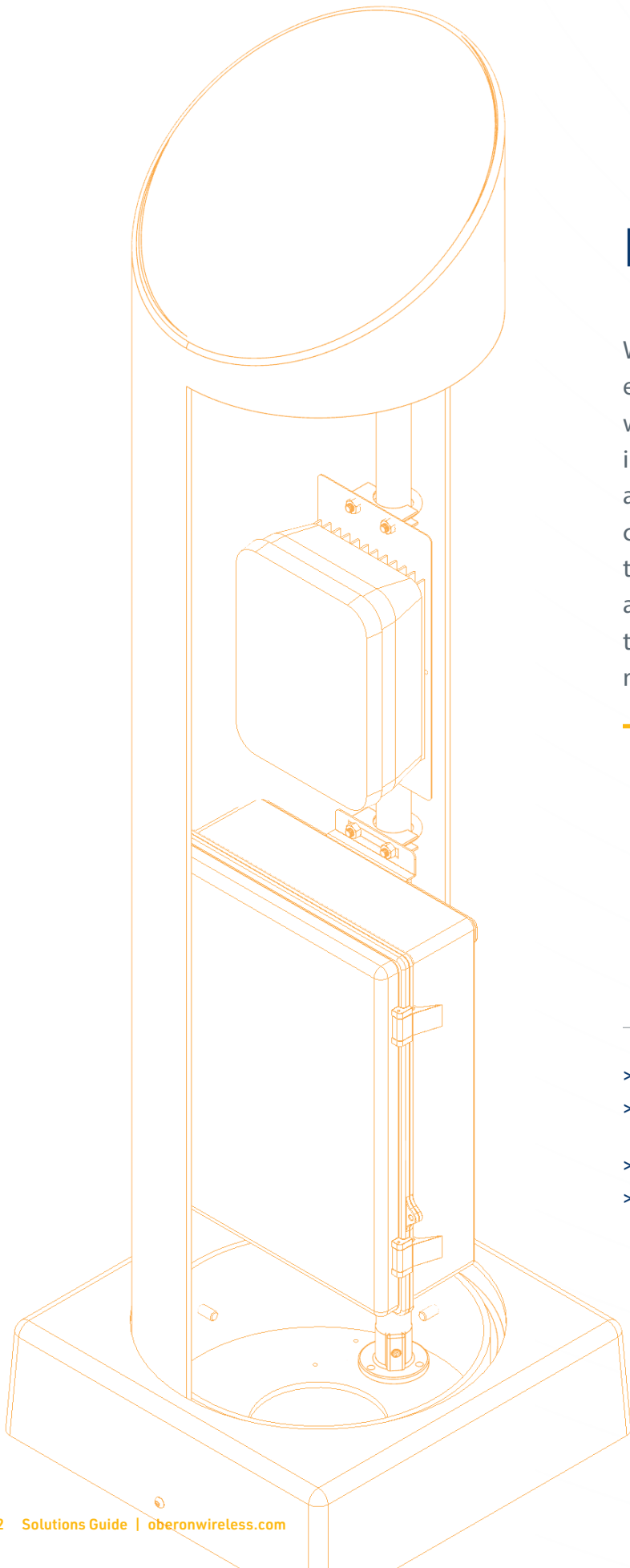


1021-00-ANTPLATE

## 1021 Series

This NEMA 4 enclosure protects and conceals APs, antennas, and cabling in environments where aesthetics are paramount and typical 'industrial' NEMA 4 enclosures are not acceptable due to their appearance. The paintable 1021 Series is available in white and features a uniquely shaped lid with recessed screws and internal mounting features for most vendor's APs and antennas. Don't let the 2021's good looks fool you - this rugged polycarbonate enclosure protects the AP from weather, pressure spray, spilling liquids, dust and impacts. It is transparent to wireless signals, so larger APs with external antennas can be protected. Available with internal directional antenna mounting plate (39-1021-ANTPLATE) and/or pole mounting bracket with vanity cover (39-1021-PMB-CVR) accessories.

Discover the full Skybar™ collection at [Oberonwireless.com/Collection/Skybar](https://Oberonwireless.com/Collection/Skybar).



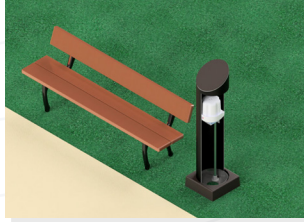
## NetPoint™ Collection

Wireless designers need a wide selection of enclosures and mounting solutions to facilitate wireless deployments indoors, outdoors and in public venues. These outdoor Wi-Fi bollards are designed to protect Wi-Fi APs, antennas, cabling and associated networking gear right at the location of need. Oberon's Wi-Fi bollards are available in a wide range of colors and heights to blend seamlessly into any campus, park, or metro venue.



- > **Wireless deployment for almost every scenario**
- > **Integrate Wi-Fi APs and networking equipment right at the location of need**
- > **Available in a wide range of colors and heights**
- > **Blend seamlessly into any campus, park, or metro venue**





3030



3030

### 3030 Series

Oberon's NetPoint 3030 Wireless Bollard is ideal for extending wireless and Wi-Fi coverage into open public spaces such as parks, outdoor malls, and bus stops. Mount the Wi-Fi AP in locations where Wi-Fi coverage is most needed, avoiding the need to mount on buildings or light poles. This rugged fiberglass bollard is weatherproof and tamper-resistant for protection in challenging environments. The fiberglass construction is virtually transparent to wireless signal. Large enough for APs, omni-directional and directional antennas, and small network switches from most vendors. Available in seven standard and unlimited custom colors.

**NetPoint™ construction allows for a virtually transparent wireless signal while being weatherproof and tamper-resistant.**

### 3032 Series

Oberon's NetPoint 3032 Series Wireless Bollard is a cost-effective way to extend wireless and Wi-Fi coverage into auditoriums, sports venues, courtyards, malls, and campus open areas. Mount Wi-Fi APs and antennas precisely where they are needed rather than on buildings or light poles with less-than-ideal coverage or aesthetics. The bollard protects APs and antennas from weather and tampering. The polyethylene thermoplastic cylinder is virtually transparent to wireless signal. Large enough for APs, omni-directional and directional antennas, and associated equipment from most vendors. Available in 14 colors and custom heights.



3032



3032

Discover the full Netpoint™ collection at [Oberonwireless.com/Collection/Netpoint](https://Oberonwireless.com/Collection/Netpoint).

# M-Frame™ Collection

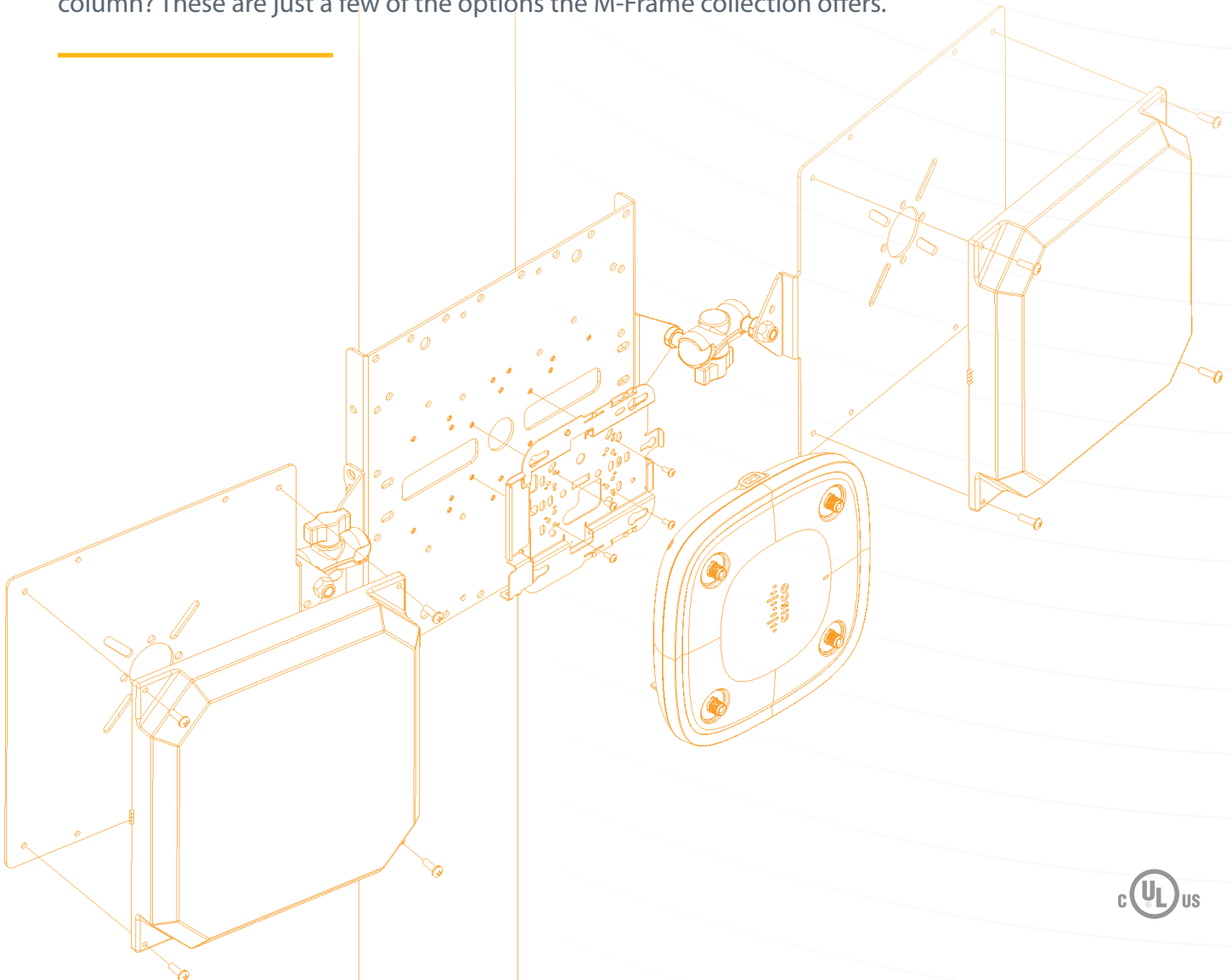
Experience Oberon's universal Wi-Fi Access Point and Antenna mounting platform for industrial, manufacturing, and warehouse environments.

Reduce access point and antenna installation time and cost in challenging industrial environments with Oberon's M-Frame modular wireless mounting platform.

At the center of the M-Frame is a simple yet innovative base plate. Each base model includes this plate along with an attachment to accommodate your choice of antennas. Once you've determined your antenna configuration, select from a variety of accessories for mounting the assembly in your selected location. Need to suspend the AP from the ceiling? Attach it to concrete? Clamp it to existing structure or strap it to a column? These are just a few of the options the M-Frame collection offers.



- > **Customize your solution by antenna configuration and mounting location**
- > **Provide Wi-Fi precisely where it is needed in challenging environments**
- > **One solution manages all your varied installation needs**





## 1312 Series

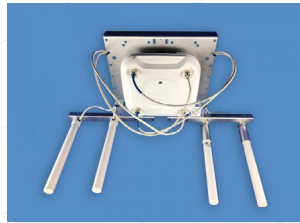
Oberon's 1312 Series mounting frames simplify and optimize the installation of APs, connected antennas, and associated accessories in warehouses, manufacturing facilities and other areas with large open ceilings. The 1312 features modular frames for easy configuration, quick installation, consistent implementations, and maintenance-free operation. Accessories permit mounting and protecting M-Frame in just about any type of construction environment, from suspension in open ceilings to installation on concrete surfaces.



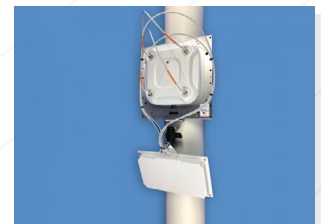
1312-00



1312-AM1



1312-AM2



1312-AM3



1312-AM4



1312-RAB

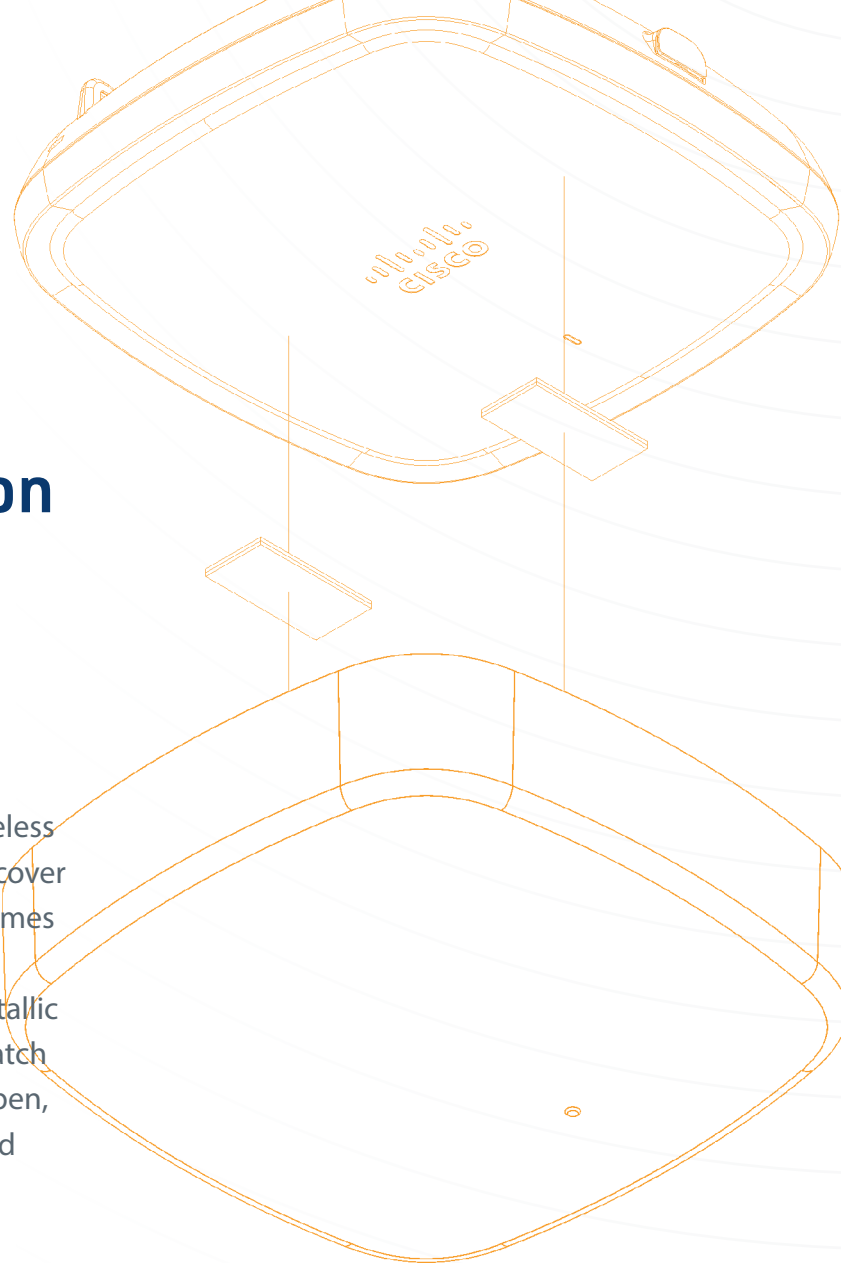
The M-Frame™ is a cost-effective solution for simplifying installation of access points with directional and omnidirectional antennas from all leading vendors.

Discover the full M-Frame™ collection at [Oberonwireless.com/Collection/M-Frame](https://Oberonwireless.com/Collection/M-Frame).

# AP Covers Collection

Conceal or customize APs with convenient, paintable, removable AP covers.

Oberon's AP covers are made from an ABS plastic which is virtually transparent to wireless signals. Customize the precise color of the cover to match or compliment interior color schemes without affecting the AP manufacturer's warranty by painting with non-oil, non-metallic paints. Sizes and shapes are available to match most leading APs. AP covers are ideal for open, exposed structure ceilings in hospitality and retail spaces.



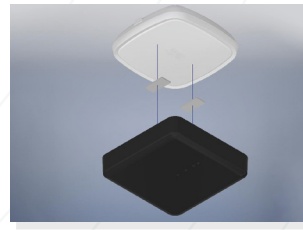
- > Conceal Wi-Fi APs in open, exposed structure ceilings
- > Thin ABS plastic is virtually transparent to wireless signal
- > AP covers are paintable using an enamel spray paint such as Krylon



---

## Access Point Covers

Conceal or customize the appearance of Wi-Fi APs with Oberon's detachable AP covers. The vanity cover is made from an ABS plastic which is virtually transparent to wireless signals and includes stick-on cover fasteners. Painting the cover allows you to achieve the perfect match for any environment without voiding the AP manufacturer warranty. Shapes and sizes are available for most leading APs. Ideal for open, exposed ceilings in hospitality and retail spaces.



33-VCVR-1



33-MR53-CVR

Available in sizes and shapes to match most leading APs, customizable AP covers let you complement any interior space.



33-ANT-CVR-WH



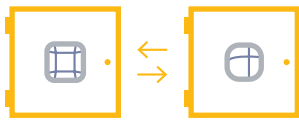
33-VCVR-18125

---

## Antenna Covers

Conceal or customize the appearance of larger APs and external antennas with Oberon Antenna Covers. The 33-VCVR-18125 is designed to conceal larger APs and antennas in indoor open ceiling environments. The 33-ANT-CVR-WH conceals outdoor APs and antennas. Both are made from a plastic which is virtually transparent to wireless signal. The covers are paintable and painting the cover does not void the manufacturer's warranty.

Discover the full AP Covers collection at [Oberonwireless.com/Collection/AP-Covers](https://Oberonwireless.com/Collection/AP-Covers).



## Retrofit Doors and Trims Collection

**Extend the value of your mounting solution investment with interchangeable components.**

For most of Oberon's AP-specific products, retrofit doors and trims are available to facilitate migration or upgrade to new APs into installed mounts and enclosures. Save on labor, material waste and cost by refitting your existing Oberon mounting solution when migrating to a new access point. Looking for a mounting solution, door or trim for your newest AP? Contact your Oberon Sales Representative. Oberon is committed to supporting customer technology plans.

---

**Discover the full Retrofit Doors and Trims collection at [Oberonwireless.com/Collection/Retrofit-Doors-And-Trims](https://Oberonwireless.com/Collection/Retrofit-Doors-And-Trims).**



# Accessories Collection

Add functionality to Oberon mounting solutions with:

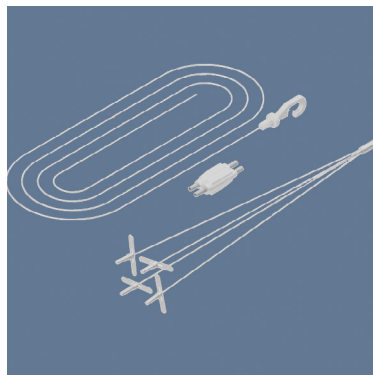
- Cabling accessories
- Ceiling mounting accessories
- Enclosure accessories
- M-Frame accessories
- Wi-Fi antennas designed for Oberon enclosures

---

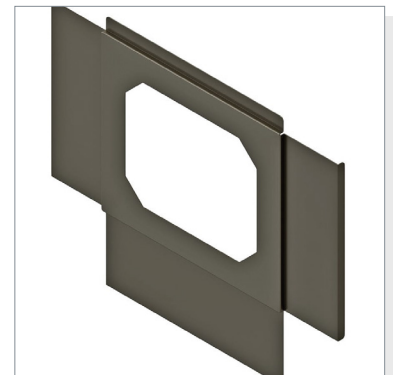
Discover the full Accessories collection at [Oberonwireless.com/Collection/Accessories](https://Oberonwireless.com/Collection/Accessories).



39-1016-SPKRMNT



39-1312-QCH

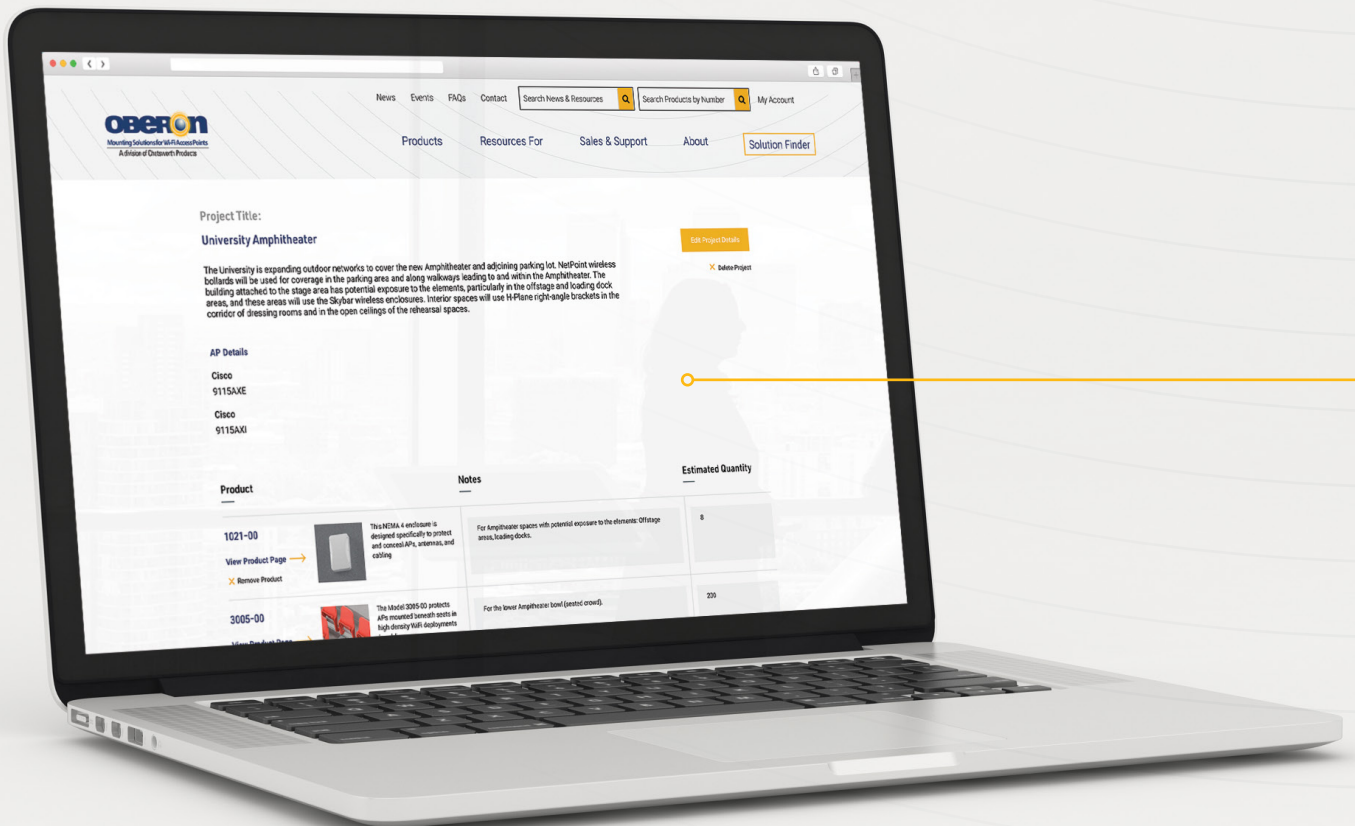


88-104X-ROUTER-TEMPLATE


# Build Your Projects

Starting a new project? Build, save and store your plan with our Project Builder feature.

Sign up at [Oberonwireless.com/Register](https://Oberonwireless.com/Register).



## Add background information for all of your upcoming projects.



**OBERON**  
A Division of Chatsworth Products  
Mounting Solutions for Wi-Fi Access Points

[News](#) [Events](#) [FAQs](#) [Contact](#)

[My Account](#)

[Products](#)

[Resources For](#)

[Sales & Support](#)

[About](#)

[Solution Finder](#)

Project Title:  
**University Amphitheater**

[Edit Project Details](#)  
[Delete Project](#)





The University is expanding outdoor networks to cover the new Amphitheater and adjoining parking lot. NetPoint wireless bollards will be used for coverage in the parking area and along walkways leading to and within the Amphitheater. The building attached to the stage area has potential exposure to the elements, particularly in the offstage and loading dock areas, and these areas will use the SkyBar wireless enclosures. Interior spaces will use H-Plane right-angle brackets in the corridor of dressing rooms and in the open ceilings of the rehearsal spaces.

AP Details

Cisco  
9115AXE

Cisco  
9115AXI

### Quickly add products that are the perfect fit for your project right from the Oberon Solutions Finder.

Product	Notes	Estimated Quantity
<p><b>1021-00</b></p> <p><a href="#">View Product Page</a> →</p> <p>✕ Remove Product</p>	 <p>This NEMA 4 enclosure is designed specifically to protect and conceal APs, antennas, and cabling</p>	<p>For Amphitheater spaces with potential exposure to the elements: Offstage areas, loading docks.</p> <p style="text-align: center;">8</p>
<p><b>3005-00</b></p> <p><a href="#">View Product Page</a> →</p> <p>✕ Remove Product</p>	 <p>The Model 3005-00 protects APs mounted beneath seats in high density WiFi deployments in public v</p>	<p>For the lower Amphitheater bowl (seated crowd).</p> <p style="text-align: center;">200</p>
<p><b>3032</b></p> <p><a href="#">View Product Page</a> →</p> <p>✕ Remove Product</p>	 <p>Oberon's NetPoint™ 3032 Wireless Bollard is a cost effective way to extend wireless and W</p>	<p>For parking lot and in pathways in the upper Amphitheater bowl (standing crowd). Number will be adjusted once pathway locations are determined.</p> <p style="text-align: center;">15</p>
<p><b>1007-COAP9115</b></p> <p><a href="#">View Product Page</a> →</p> <p>✕ Remove Product</p>	 <p>Many Wi-Fi and Small Cell Access Point (AP) manufacturers recommend APs be mounted in a horizonta</p>	<p>Place in corridors with dressing rooms. Large 'star' dressing rooms will have interior enclosures. Also for use in classrooms and rehearsal rooms with open ceilings. APs will be mounted on cross beams.</p> <p style="text-align: center;">250</p>

[+ Add a Product](#)

**Email a PDF Copy of this Project**

Email This Project

Enter Emails (Separate Email Addresses with a Comma)

Would you also like a copy of this project sent to an Oberon sales representative to start a conversation?

Yes, email a copy to an Oberon sales representative

[Email This Project](#)

Add notes and estimated quantities for each product so you can keep all of your work in one place.

Easily share a downloadable PDF of your project with colleagues or send it to us to start a conversation.

**Have questions about any  
of our solutions?**

**Contact us at 877-867-2312 or  
Sales@oberonwireless.**



A division of Chatsworth Products

Mounting Solutions for Wi-Fi Access Points

1315 S. Allen St.  
State College, PA 16801  
+1 877-867-2312  
[oberonwireless.com](http://oberonwireless.com)

