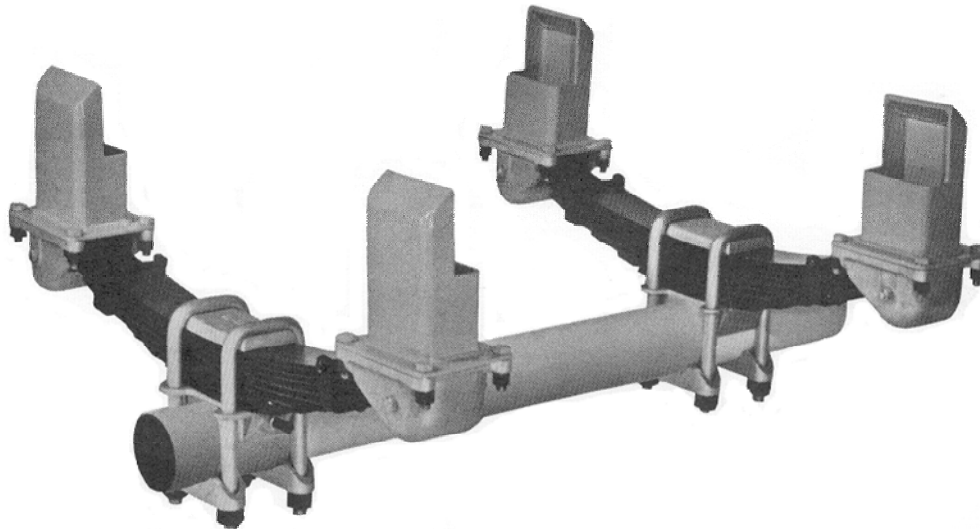




SINGLE AXLE TRAILER SUSPENSIONS



Silver Eagle offers three base models of the SRA single axle trailer suspension: low-profile (our most popular), U-bolts up and standard U-bolts down. Standard features include cast steel components, rubber or urethane isolated zero free-play spring ends, two-stage 7 leaf springs with rebound leaves and precision axle alignment at the axle seat. An optional lightweight version of the low-profile SRA suspension is also available as the ARA suspension featuring cast aluminum components.

All base model **Silver Eagle** single axle trailer suspensions are rated for 20,000 pounds axle load with 5" round axles. SRA suspensions can be rated for axle loads up to 26,000 pounds.

Silver Eagle single axle trailer suspensions can be mounted to a variety of undercarriages at any mounting height of 10" or greater using one of the three available suspension mounts. Suspension mounts are available in three versions: under mount weld-on, flange mount weld-on, and flange mount bolt-on styles. Mounting plates are available separately for those who build their own suspension mounts. **Silver Eagle** will ship your single axle trailer suspensions disassembled, semi-assembled with boot housings and suspension mounts installed or completed assembled to an axle of your specification.

In this catalog section, each base model of single axle trailer suspension has a separate exploded parts drawing, parts list and dimensional drawing/data sheet. To ensure you order or quotation is properly handled, we have included forms in the order information section. Your completed form can be sent by fax, mailed or phoned in directly for immediate processing.



Single & Tandem Axle Suspensions

Contents		Page
Technical Data	-----	3
SRA - Low Profile Parts View	-----	4
SRA - Low Profile Parts List	-----	5 - 6
SRA - U-Bolts Down Parts View	-----	7
SRA - U-Bolts Parts List	-----	8 - 9
SRA - U-Bolts Up Parts View	-----	10
SRA - U-Bolts Up Parts List	-----	11 - 12
Suspension Mounting Bracket Chart	-----	13
SRA - 3 Rear Suspension Specifications		14
SRA - 3 Rear Suspension		15
SRA - 3 Suspension Parts View		16
SRA - 3 Suspension Parts List		17
Tandem-Axle Suspension Specifications	-----	18
Tandem-Axle Suspension	-----	19
Tandem-Axle Suspension Parts View	-----	20
Tandem-Axle Suspension Parts List	-----	21

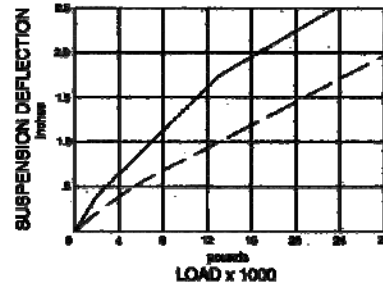
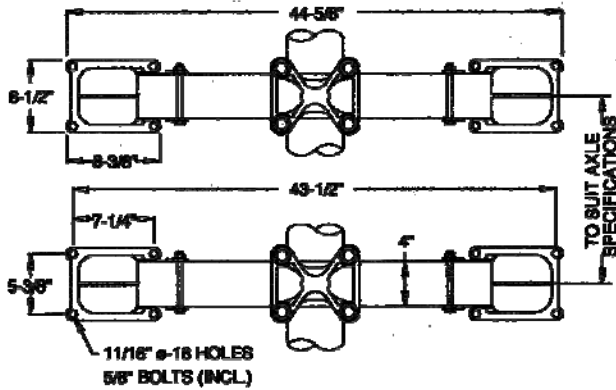
Silver Eagle Manufacturing

A full line of converter dolly and trailer suspension products.

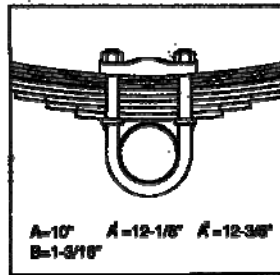
In this catalog section you will find exploded parts views and parts list. To ensure your order or quotation is properly handled, we have included forms in the order information section. Your completed forms can be sent by fax, mailed or phoned in directly for immediate processing.



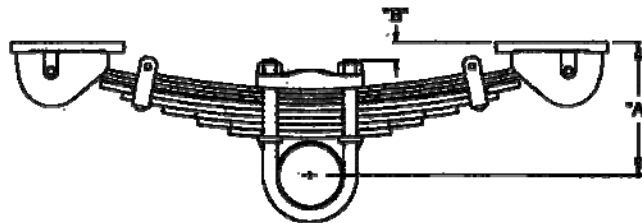
Single Axle Trailer Suspension TECHNICAL DATA



— 7 LEAF TWO STAGE WIREBOUND
- - - 8 LEAF SINGLE STAGE



5' Round Aisle Δ



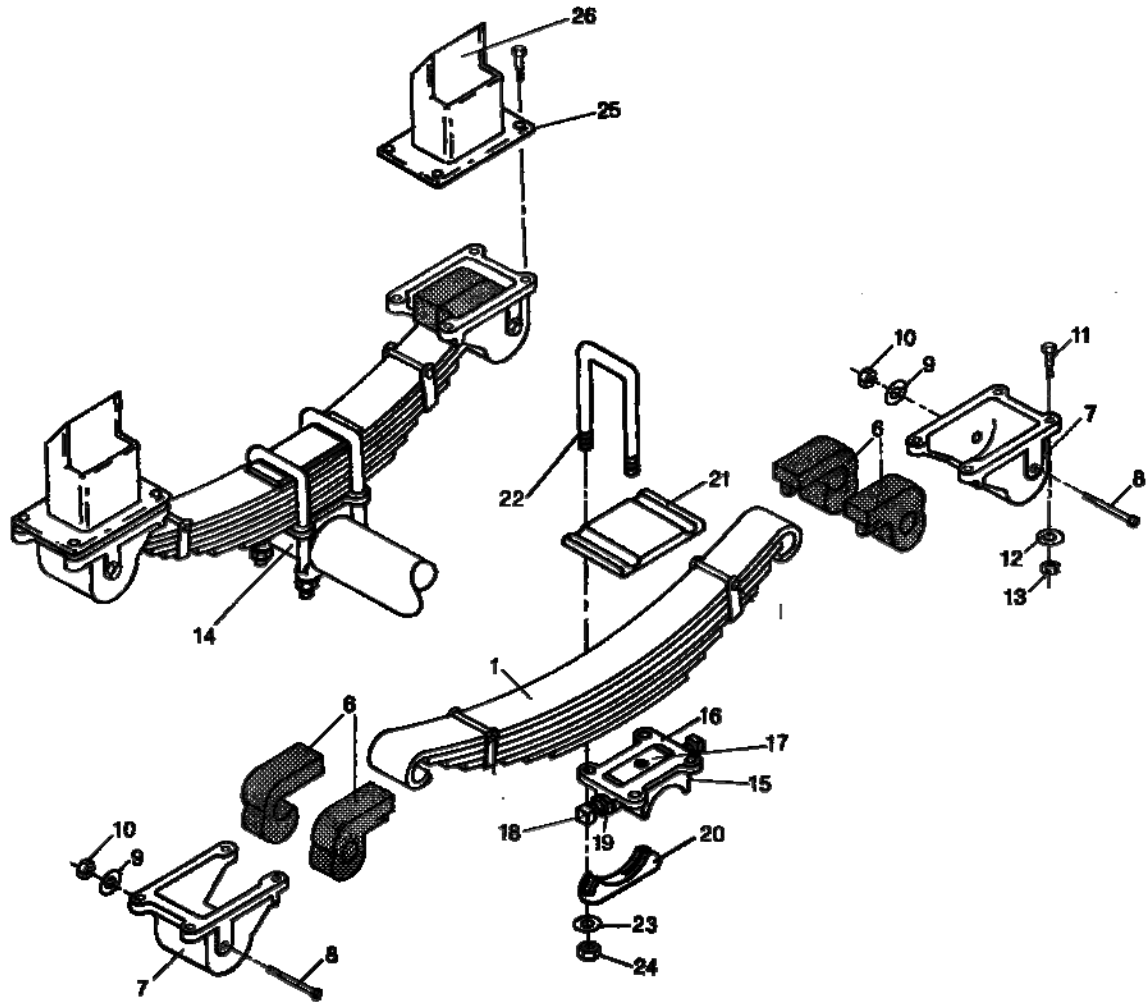
SUSPENSION MOUNTING BRACKETS





SILVER EAGLE
MANUFACTURING COMPANY

SRA Low-Profile Trailer Suspensions



Exploded Parts View



**SRA Low-Profile
Trailer Suspensions**

Item Part Nbr. Description

	1550	SUSPENSION ASSEMBLY, LP, 5" RD
	1623	SUSPENSION ASSEMBLY, LP, 5" RD, W/DBL ADJ AXLE SEAT
	4050	SUSPENSION ASSEMBLY, LP, 5" RD, 26000#, W/DBL ADJ AXLE SEAT
	4051	SUSPENSION ASSEMBLY, LP, 5" RD, 26,000 LB
	1151	SUSPENSION ASSEMBLY, LP, 5" RD, ALUMINUM
	5877	SUSPENSION ASSEMBLY, HD, LP ALUM 5" RD
1	3539	SPRING ASSEMBLY, 7 LEAF, W/LONG REBOUND
2	1267	SPRING ASSEMBLY, 8 LEAF
6	1204	BUSHING, SPRING BOOT, RUBBER, PAIR (2 PAIR REQ'D PER SPRING)
6	12172	BUSHING, SPRING BOOT, URETHANE (2 PAIR REQ'D PER SPRING)
7	1491	HOUSING, BOOT, W/FASTENERS
7	4077	HOUSING, BOOT, W/FASTENERS, ALUMINUM
8	1274	CAPSCREW, 1/2-13 UNC X 6-1/2, HX, GR 5, PLTD
9	1150	WASHER, 1/2", FLAT, SAE, PLTD
10	1942	NUT, 1/3-13 UNC, METAL LOCK, HX, GR C, PLTD
11	10655	CAPSCREW, 5/8-11 UNC X 2, HX, GR 5, PLTD
12	1172	WASHER, 5/8", FLAT, A325, HRND, PLTD
13	1164	NUT, 5/8-11 UNC, METAL LOCK, HX, GR C, PLTD
14	1618	AXLE SEAT, 5" RD, FIXED
15	1455	AXLE SEAT ASSY, 5" RD, ADJ
16	4073	AXLE SEAT, 5" RD, ADJ
17	1581	SLIDER, 5" RD
18	3125	SETSCREW, 5/8-11 UNC X 2-1/4, SQHD, OVAL PT, PLTD
19	1700	NUT, 5/8-11 UNC, JAM, HX. GR 5, PLTD
20	1577	AXLE STRAP, 5" RD
20	1716	AXLE STRAP, 5" RD, 3/4" U-BOLTS (Alum Suspension)
21	1597	PRESSURE PLATE, 5" RD, LP
21	1715	PRESSURE PLATE, 5" RD, LP, ALUMINUM
22	1373	U-BOLT ASSY, 1X4X12, ST, 5" RD
22	1228	U-BOLT ASSY, 3/4X4X12, ST, 5" RD
23	1540	WASHER, 1-1/32 X 1-5/8, FLAT, HRND, PLTD
23	3367	WASHER, 3/4", FLAT, A325, HRND, PLTD
24	3398	NUT, 1-14 UNS, HX, THICK, GR 8, PLTD
24	1379	NUT, 3/4-16 UNF, HX, THICK, GR 8, PLTD
25	2917	BASE PLATE, SUSPENSION MOUNTING BRACKET, SET/4
26	1146	SUSPENSION MTG BRKT, UNDER MNT, WELD-ON, 2", SET/4
26	4449	SUSPENSION MTG BRKT, UNDER MNT, WELD-ON, 2-1/2", SET/4
26	4450	SUSPENSION MTG BRKT, UNDER MNT, WELD-ON, 3", SET/4
26	4451	SUSPENSION MTG BRKT, UNDER MNT, WELD-ON, 3-1/2", SET/4
26	4452	SUSPENSION MTG BRKT, UNDER MNT, WELD-ON, 4", SET/4
26	4453	SUSPENSION MTG BRKT, UNDER MNT, WELD-ON, 4-1/2", SET/4
26	4454	SUSPENSION MTG BRKT, UNDER MNT, WELD-ON, 5", SET/4
26	4455	SUSPENSION MTG BRKT, UNDER MNT, WELD-ON, 5-1/2", SET/4
26	4456	SUSPENSION MTG BRKT, UNDER MNT, WELD-ON, 6", SET/4



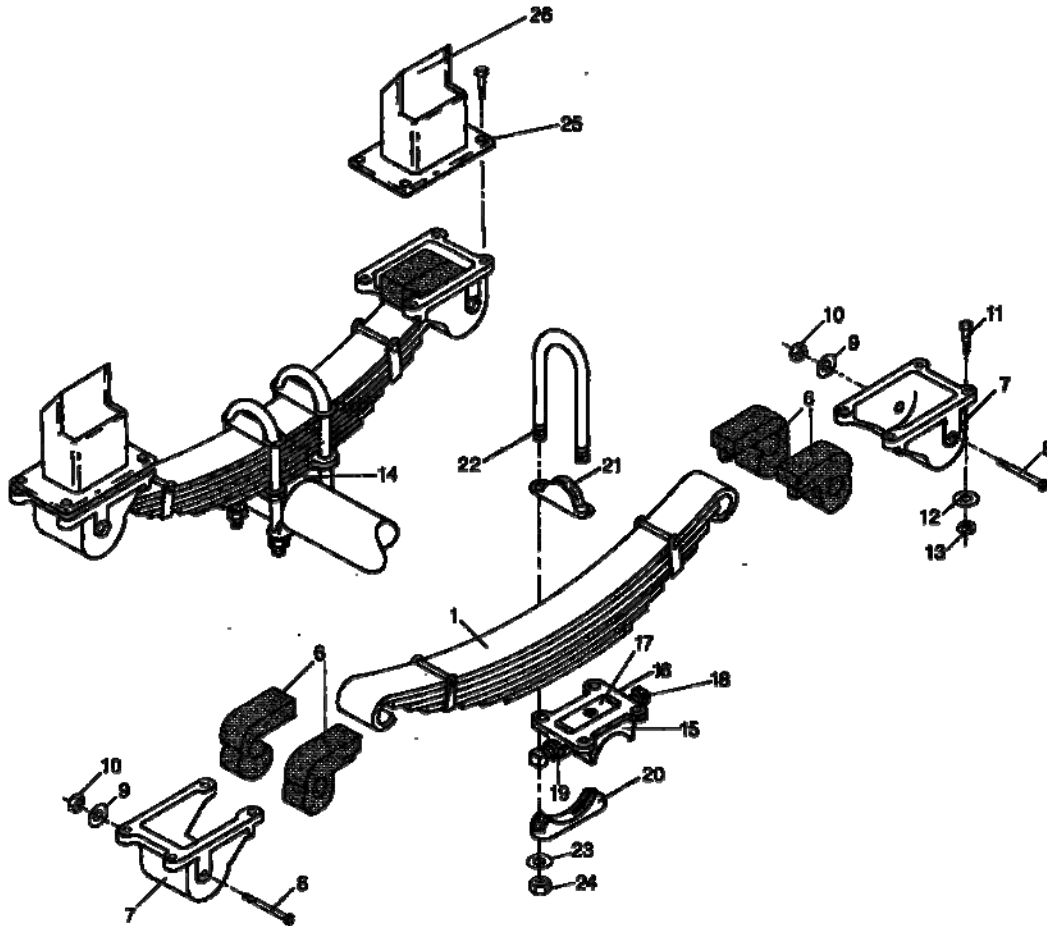
26 4457 SUSPENSION MTG BRKT, UNDER MNT, WELD-ON, 6-1/2", SET/4
SRA Low-Profile
Trailer Suspensions

Item Part Nbr. Description

26	4458	SUSPENSION MTG BRKT, UNDER MNT, WELD-ON, 7", SET/4
26	4459	SUSPENSION MTG BRKT, UNDER MNT, WELD-ON, 7-1/2", SET/4
26	4460	SUSPENSION MTG BRKT, UNDER MNT, WELD-ON, 8", SET/4
26	4461	SUSPENSION MTG BRKT, UNDER MNT, WELD-ON, 8-1/2", SET/4
26	4462	SUSPENSION MTG BRKT, UNDER MNT, WELD-ON, 9", SET/4
26	1567	SUSPENSION MTG BRKT, FLANGE MNT, WELD-ON, 2", SET/4
26	4420	SUSPENSION MTG BRKT, FLANGE MNT, WELD-ON, 2-1/2", SET/4
26	4421	SUSPENSION MTG BRKT, FLANGE MNT, WELD-ON, 3", SET/4
26	4422	SUSPENSION MTG BRKT, FLANGE MNT, WELD-ON, 3-1/2", SET/4
26	4423	SUSPENSION MTG BRKT, FLANGE MNT, WELD-ON, 4", SET/4
26	4424	SUSPENSION MTG BRKT, FLANGE MNT, WELD-ON, 4-1/2", SET/4
26	4425	SUSPENSION MTG BRKT, FLANGE MNT, WELD-ON, 5", SET/4
26	4426	SUSPENSION MTG BRKT, FLANGE MNT, WELD-ON, 5-1/2", SET/4
26	4427	SUSPENSION MTG BRKT, FLANGE MNT, WELD-ON, 6", SET/4
26	4428	SUSPENSION MTG BRKT, FLANGE MNT, WELD-ON, 6-1/2", SET/4
26	4429	SUSPENSION MTG BRKT, FLANGE MNT, WELD-ON, 7", SET/4
26	4430	SUSPENSION MTG BRKT, FLANGE MNT, WELD-ON, 7-1/2", SET/4
26	4431	SUSPENSION MTG BRKT, FLANGE MNT, WELD-ON, 8", SET/4
26	4432	SUSPENSION MTG BRKT, FLANGE MNT, WELD-ON, 8-1/2", SET/4
26	4433	SUSPENSION MTG BRKT, FLANGE MNT, WELD-ON, 9", SET/4
26	1354	SUSPENSION MTG BRKT, UNDER MNT, BOLT-ON, 2", SET/4
26	4435	SUSPENSION MTG BRKT, UNDER MNT, BOLT-ON, 2-1/2", SET/4
26	4436	SUSPENSION MTG BRKT, UNDER MNT, BOLT-ON, 3", SET/4
26	4437	SUSPENSION MTG BRKT, UNDER MNT, BOLT-ON, 3-1/2", SET/4
26	4438	SUSPENSION MTG BRKT, UNDER MNT, BOLT-ON, 4", SET/4
26	4439	SUSPENSION MTG BRKT, UNDER MNT, BOLT-ON, 4-1/2", SET/4
26	4440	SUSPENSION MTG BRKT, UNDER MNT, BOLT-ON, 5", SET/4
26	4441	SUSPENSION MTG BRKT, UNDER MNT, BOLT-ON, 5-1/2", SET/4
26	4442	SUSPENSION MTG BRKT, UNDER MNT, BOLT-ON, 6", SET/4
26	4443	SUSPENSION MTG BRKT, UNDER MNT, BOLT-ON, 6-1/2", SET/4
26	4444	SUSPENSION MTG BRKT, UNDER MNT, BOLT-ON, 7", SET/4
26	4445	SUSPENSION MTG BRKT, UNDER MNT, BOLT-ON, 7-1/2", SET/4
26	4446	SUSPENSION MTG BRKT, UNDER MNT, BOLT-ON, 8", SET/4
26	4447	SUSPENSION MTG BRKT, UNDER MNT, BOLT-ON, 8-1/2", SET/4
26	4448	SUSPENSION MTG BRKT, UNDER MNT, BOLT-ON, 9", SET/4



SRA - U-Bolts Down



Exploded Parts View



SRA - U-Bolts Down

Item Part Nbr. Description

	1610	SUSPENSION ASSEMBLY, 5" RD, U-BOLTS DOWN
1	3539	SPRING ASSEMBLY, 7 LEAF, W/LONG REBOUND
6	1204	BUSHING, SPRING BOOT, RUBBER, PAIR (2 PAIR REQ'D PER SPRING)
6	12171	BUSHING, SPRING BOOT, URETHANE, PAIR (2 PAIR REQ'D PER SPRING)
7	1491	HOUSING, BOOT, W/FASTENERS
8	1274	CAPSCREW, 1/2-13 UNC X 6-1/2, HX, GR 5, PLTD
9	1150	WASHER, 1/2", FLAT, SAE, PLTD
10	1942	NUT, 1/3-13 UNC, METAL LOCK, HX, GR C, PLTD
11	10655	CAPSCREW, 5/8-11 UNC X 2, HX, GR 5, PLTD
12	1172	WASHER, 5/8", FLAT, A325, HRND, PLTD
13	1164	NUT, 5/8-11 UNC, METAL LOCK, HX, GR C, PLTD
14	1618	AXLE SEAT, 5" RD, FIXED
15	1455	AXLE SEAT ASSY, 5" RD, ADJ
16	4073	AXLE SEAT, 5" RD, ADJ
17	1581	SLIDER, 5" RD
18	3125	SETSCREW, 5/8-11 UNC X 2-1/4, SQHD, OVAL PT, PLTD
19	1700	NUT, 5/8-11 UNC, JAM, HX. GR 5, PLTD
20	1577	AXLE STRAP, 5" RD
21	1463	PRESSURE PLATE, 4", U-BOLTS DOWN
23	1540	WASHER, 1-1/32 X 1-5/8, FLAT, HRND, PLTD
24	3398	NUT, 1-14 UNS, HX, THICK, GR 8, PLTD
25	2917	BASE PLATE, SUSPENSION MOUNTING BRACKET, SET/4
26	1146	SUSPENSION MTG BRKT, UNDER MNT, WELD-ON, 2", SET/4
26	4449	SUSPENSION MTG BRKT, UNDER MNT, WELD-ON, 2-1/2", SET/4
26	4450	SUSPENSION MTG BRKT, UNDER MNT, WELD-ON, 3", SET/4
26	4451	SUSPENSION MTG BRKT, UNDER MNT, WELD-ON, 3-1/2", SET/4
26	4452	SUSPENSION MTG BRKT, UNDER MNT, WELD-ON, 4", SET/4
26	4453	SUSPENSION MTG BRKT, UNDER MNT, WELD-ON, 4-1/2", SET/4
26	4454	SUSPENSION MTG BRKT, UNDER MNT, WELD-ON, 5", SET/4
26	4455	SUSPENSION MTG BRKT, UNDER MNT, WELD-ON, 5-1/2", SET/4
26	4456	SUSPENSION MTG BRKT, UNDER MNT, WELD-ON, 6", SET/4
26	4457	SUSPENSION MTG BRKT, UNDER MNT, WELD-ON, 6-1/2", SET/4
26	4458	SUSPENSION MTG BRKT, UNDER MNT, WELD-ON, 7", SET/4
26	4459	SUSPENSION MTG BRKT, UNDER MNT, WELD-ON, 7-1/2", SET/4
26	4460	SUSPENSION MTG BRKT, UNDER MNT, WELD-ON, 8", SET/4
26	4461	SUSPENSION MTG BRKT, UNDER MNT, WELD-ON, 8-1/2", SET/4
26	4462	SUSPENSION MTG BRKT, UNDER MNT, WELD-ON, 9", SET/4
26	1567	SUSPENSION MTG BRKT, FLANGE MNT, WELD-ON, 2", SET/4
26	4420	SUSPENSION MTG BRKT, FLANGE MNT, WELD-ON, 2-1/2", SET/4
26	4421	SUSPENSION MTG BRKT, FLANGE MNT, WELD-ON, 3", SET/4
26	4422	SUSPENSION MTG BRKT, FLANGE MNT, WELD-ON, 3-1/2", SET/4
26	4423	SUSPENSION MTG BRKT, FLANGE MNT, WELD-ON, 4", SET/4

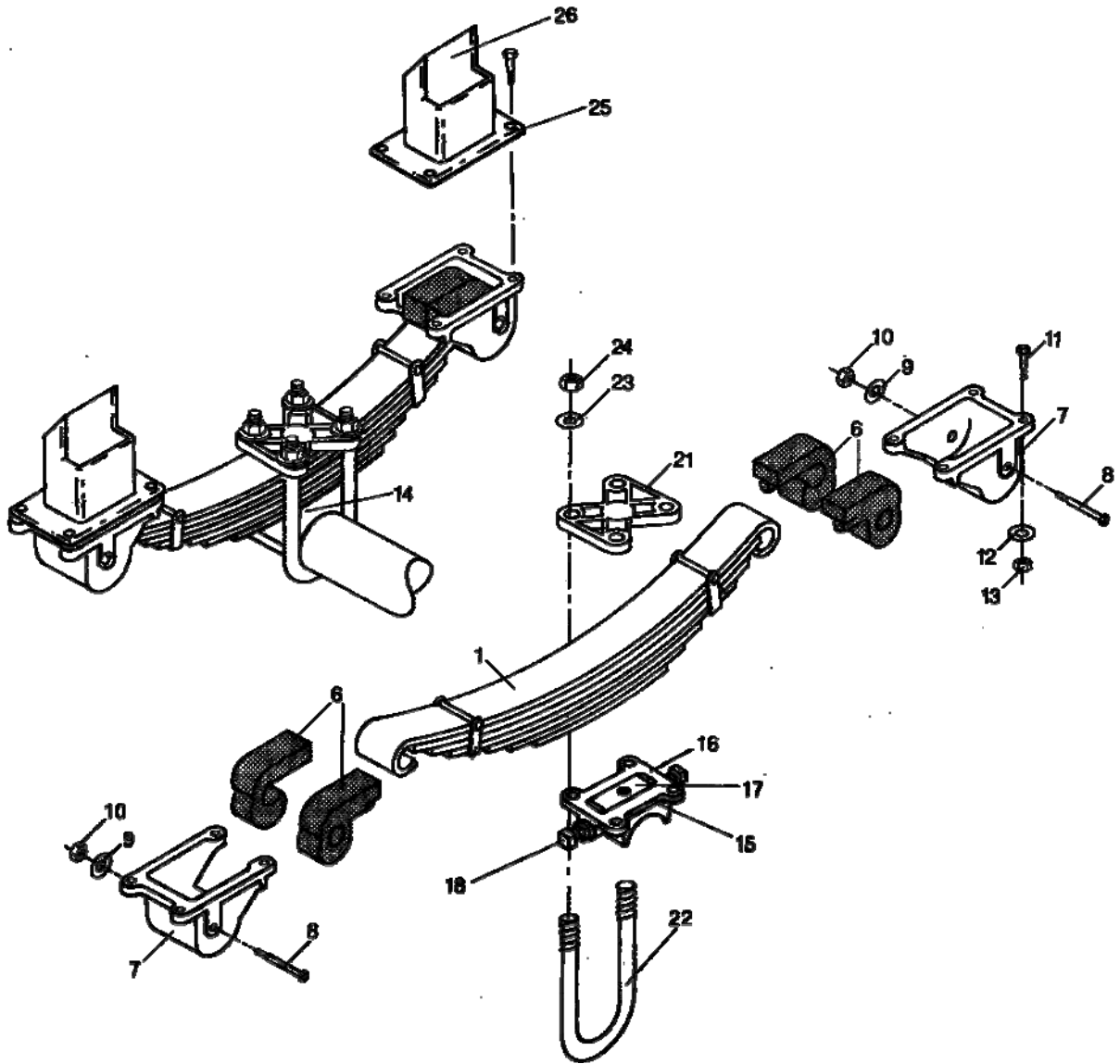


SRA - U-Bolts Down

26	4424	SUSPENSION MTG BRKT, FLANGE MNT, WELD-ON, 4-1/2", SET/4
26	4425	SUSPENSION MTG BRKT, FLANGE MNT, WELD-ON, 5", SET/4
26	4426	SUSPENSION MTG BRKT, FLANGE MNT, WELD-ON, 5-1/2", SET/4
26	4427	SUSPENSION MTG BRKT, FLANGE MNT, WELD-ON, 6", SET/4
26	4428	SUSPENSION MTG BRKT, FLANGE MNT, WELD-ON, 6-1/2", SET/4
26	4429	SUSPENSION MTG BRKT, FLANGE MNT, WELD-ON, 7", SET/4
26	4430	SUSPENSION MTG BRKT, FLANGE MNT, WELD-ON, 7-1/2", SET/4
26	4431	SUSPENSION MTG BRKT, FLANGE MNT, WELD-ON, 8", SET/4
26	4432	SUSPENSION MTG BRKT, FLANGE MNT, WELD-ON, 8-1/2", SET/4
26	4433	SUSPENSION MTG BRKT, FLANGE MNT, WELD-ON, 9", SET/4
26	4434	SUSPENSION MTG BRKT, UNDER MNT, BOLT-ON, 2", SET/4
26	4435	SUSPENSION MTG BRKT, UNDER MNT, BOLT-ON, 2-1/2", SET/4
26	4436	SUSPENSION MTG BRKT, UNDER MNT, BOLT-ON, 3", SET/4
26	4437	SUSPENSION MTG BRKT, UNDER MNT, BOLT-ON, 3-1/2", SET/4
26	4438	SUSPENSION MTG BRKT, UNDER MNT, BOLT-ON, 4", SET/4
26	4439	SUSPENSION MTG BRKT, UNDER MNT, BOLT-ON, 4-1/2", SET/4
26	4440	SUSPENSION MTG BRKT, UNDER MNT, BOLT-ON, 5", SET/4
26	4441	SUSPENSION MTG BRKT, UNDER MNT, BOLT-ON, 5-1/2", SET/4
26	4442	SUSPENSION MTG BRKT, UNDER MNT, BOLT-ON, 6", SET/4
26	4443	SUSPENSION MTG BRKT, UNDER MNT, BOLT-ON, 6-1/2", SET/4
26	4444	SUSPENSION MTG BRKT, UNDER MNT, BOLT-ON, 7", SET/4
26	4445	SUSPENSION MTG BRKT, UNDER MNT, BOLT-ON, 7-1/2", SET/4
26	4446	SUSPENSION MTG BRKT, UNDER MNT, BOLT-ON, 8", SET/4
26	4447	SUSPENSION MTG BRKT, UNDER MNT, BOLT-ON, 8-1/2", SET/4
26	4448	SUSPENSION MTG BRKT, UNDER MNT, BOLT-ON, 9", SET/4



SRA - U-Bolts Up





Exploded Parts View

SRA - U-Bolts Up

Item Part Nbr. Description

	1549	SUSPENSION ASSEMBLY, 5" RD, U-BOLTS UP
1	3539	SPRING ASSEMBLY, 7 LEAF, W/LONG REBOUND
2	1267	SPRING ASSEMBLY, 8 LEAF
6	1204	BUSHING, SPRING BOOT, RUBBER, PAIR (2 PAIR REQ'D PER SPRING)
6	12171	BUSHING, SPRING BOOT, URETHANE, PAIR (2 PAIR REQ'D PER SPRING)
7	1491	HOUSING, BOOT, W/FASTENERS
8	1274	CAPSCREW, 1/2-13 UNC X 6-1/2, HX, GR 5, PLTD
9	1150	WASHER, 1/2", FLAT, SAE, PLTD
10	1942	NUT, 1/3-13 UNC, METAL LOCK, HX, GR C, PLTD
11	1255	CAPSCREW, 5/8-11 UNC X 2, HX, GR 5, PLTD
12	1172	WASHER, 5/8", FLAT, A325, HRND, PLTD
13	1164	NUT, 5/8-11 UNC, METAL LOCK, HX, GR C, PLTD
14	1618	AXLE SEAT, 5" RD, FIXED
16	4073	AXLE SEAT, 5" RD, ADJ
17	1581	SLIDER, 5" RD
18	3125	SETSCREW, 5/8-11 UNC X 2-1/4, SQHD, OVAL PT, PLTD
19	1700	NUT, 5/8-11 UNC, JAM, HX, GR 5, PLTD
21	1175	PRESSURE PLATE, 5" RD, U-BOLTS UP
21	1553	PRESSURE PLATE, 4" MULTI-USE
22	1644	U-BOLT ASSY, 1X5X12, RT, 5" RD AXLE
23	1540	WASHER, 1-1/32 X 1-5/8, FLAT, HRND, PLTD
24	3398	NUT, 1-14 UNS, HX, THICK, GR 8, PLTD
25	2917	BASE PLATE, SUSPENSION MOUNTING BRACKET, SET/4
26	1146	SUSPENSION MTG BRKT, UNDER MNT, WELD-ON, 2", SET/4
26	4449	SUSPENSION MTG BRKT, UNDER MNT, WELD-ON, 2-1/2", SET/4
26	4450	SUSPENSION MTG BRKT, UNDER MNT, WELD-ON, 3", SET/4
26	4451	SUSPENSION MTG BRKT, UNDER MNT, WELD-ON, 3-1/2", SET/4
26	4452	SUSPENSION MTG BRKT, UNDER MNT, WELD-ON, 4", SET/4
26	4453	SUSPENSION MTG BRKT, UNDER MNT, WELD-ON, 4-1/2", SET/4
26	4454	SUSPENSION MTG BRKT, UNDER MNT, WELD-ON, 5", SET/4
26	4455	SUSPENSION MTG BRKT, UNDER MNT, WELD-ON, 5-1/2", SET/4
26	4456	SUSPENSION MTG BRKT, UNDER MNT, WELD-ON, 6", SET/4
26	4457	SUSPENSION MTG BRKT, UNDER MNT, WELD-ON, 6-1/2", SET/4
26	4458	SUSPENSION MTG BRKT, UNDER MNT, WELD-ON, 7", SET/4
26	4459	SUSPENSION MTG BRKT, UNDER MNT, WELD-ON, 7-1/2", SET/4
26	4460	SUSPENSION MTG BRKT, UNDER MNT, WELD-ON, 8", SET/4
26	4461	SUSPENSION MTG BRKT, UNDER MNT, WELD-ON, 8-1/2", SET/4
26	4462	SUSPENSION MTG BRKT, UNDER MNT, WELD-ON, 9", SET/4
26	1567	SUSPENSION MTG BRKT, FLANGE MNT, WELD-ON, 2", SET/4
26	4420	SUSPENSION MTG BRKT, FLANGE MNT, WELD-ON, 2-1/2", SET/4
26	4421	SUSPENSION MTG BRKT, FLANGE MNT, WELD-ON, 3", SET/4
26	4422	SUSPENSION MTG BRKT, FLANGE MNT, WELD-ON, 3-1/2", SET/4
26	4423	SUSPENSION MTG BRKT, FLANGE MNT, WELD-ON, 4", SET/4
26	4424	SUSPENSION MTG BRKT, FLANGE MNT, WELD-ON, 4-1/2", SET/4



26 4425 SUSPENSION MTG BRKT, FLANGE MNT, WELD-ON, 5", SET/4
SRA - U-Bolts Up

26	4426	SUSPENSION MTG BRKT, FLANGE MNT, WELD-ON, 5-1/2", SET/4
26	4427	SUSPENSION MTG BRKT, FLANGE MNT, WELD-ON, 6", SET/4
26	4428	SUSPENSION MTG BRKT, FLANGE MNT, WELD-ON, 6-1/2", SET/4
26	4429	SUSPENSION MTG BRKT, FLANGE MNT, WELD-ON, 7", SET/4
26	4430	SUSPENSION MTG BRKT, FLANGE MNT, WELD-ON, 7-1/2", SET/4
26	4431	SUSPENSION MTG BRKT, FLANGE MNT, WELD-ON, 8", SET/4
26	4432	SUSPENSION MTG BRKT, FLANGE MNT, WELD-ON, 8-1/2", SET/4
26	4433	SUSPENSION MTG BRKT, FLANGE MNT, WELD-ON, 9", SET/4
26	4434	SUSPENSION MTG BRKT, UNDER MNT, BOLT-ON, 2", SET/4
26	4435	SUSPENSION MTG BRKT, UNDER MNT, BOLT-ON, 2-1/2", SET/4
26	4436	SUSPENSION MTG BRKT, UNDER MNT, BOLT-ON, 3", SET/4
26	4437	SUSPENSION MTG BRKT, UNDER MNT, BOLT-ON, 3-1/2", SET/4
26	4438	SUSPENSION MTG BRKT, UNDER MNT, BOLT-ON, 4", SET/4
26	4439	SUSPENSION MTG BRKT, UNDER MNT, BOLT-ON, 4-1/2", SET/4
26	4440	SUSPENSION MTG BRKT, UNDER MNT, BOLT-ON, 5", SET/4
26	4441	SUSPENSION MTG BRKT, UNDER MNT, BOLT-ON, 5-1/2", SET/4
26	4442	SUSPENSION MTG BRKT, UNDER MNT, BOLT-ON, 6", SET/4
26	4443	SUSPENSION MTG BRKT, UNDER MNT, BOLT-ON, 6-1/2", SET/4
26	4444	SUSPENSION MTG BRKT, UNDER MNT, BOLT-ON, 7", SET/4
26	4445	SUSPENSION MTG BRKT, UNDER MNT, BOLT-ON, 7-1/2", SET/4
26	4446	SUSPENSION MTG BRKT, UNDER MNT, BOLT-ON, 8", SET/4
26	4447	SUSPENSION MTG BRKT, UNDER MNT, BOLT-ON, 8-1/2", SET/4
26	4448	SUSPENSION MTG BRKT, UNDER MNT, BOLT-ON, 9", SET/4



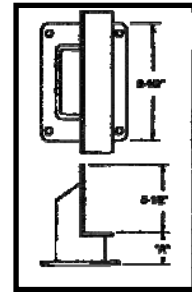
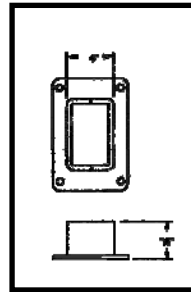
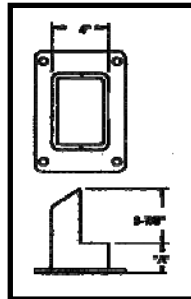
Suspension Mounting Bracket Chart



Base Plate

Part Number 2917

Suspension Mounting Bracket
Set of 4



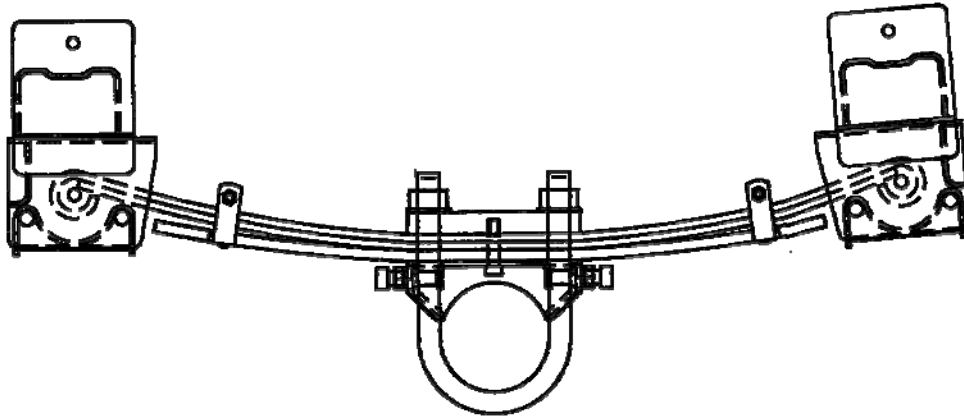
DIM "A"	Under Mount Weld-On	Flange Mount Weld-On	Flange Mount Bolt-On
2"	1146	1567	1354
2-1/2"	4449	4420	4435
3"	4450	4421	4436
3-1/2"	4451	4422	4437
4"	4452	4423	4438
4-1/2"	4453	4424	4439
5"	4454	4425	4440
5-1/2"	4455	4426	4441
6"	4456	4427	4442
6-1/2"	4457	4428	4443
7"	4458	4429	4444
7-1/2"	4459	4430	4445
8"	4460	4431	4446
8-1/2"	4461	4432	4447
9"	4462	4433	4448



SILVER EAGLE
MANUFACTURING COMPANY



Single Rear Axle Trailer Suspension SRA-3



Springs

Four-inch wide shot-peened dual-stage leaf spring assembly with modified parabolic tapered second-stage leaf.

Finish

Suspension components are steel grit-blasted and coated with an 8 stage pretreatment and no-lead epoxy E-Coat primer.

Mounting

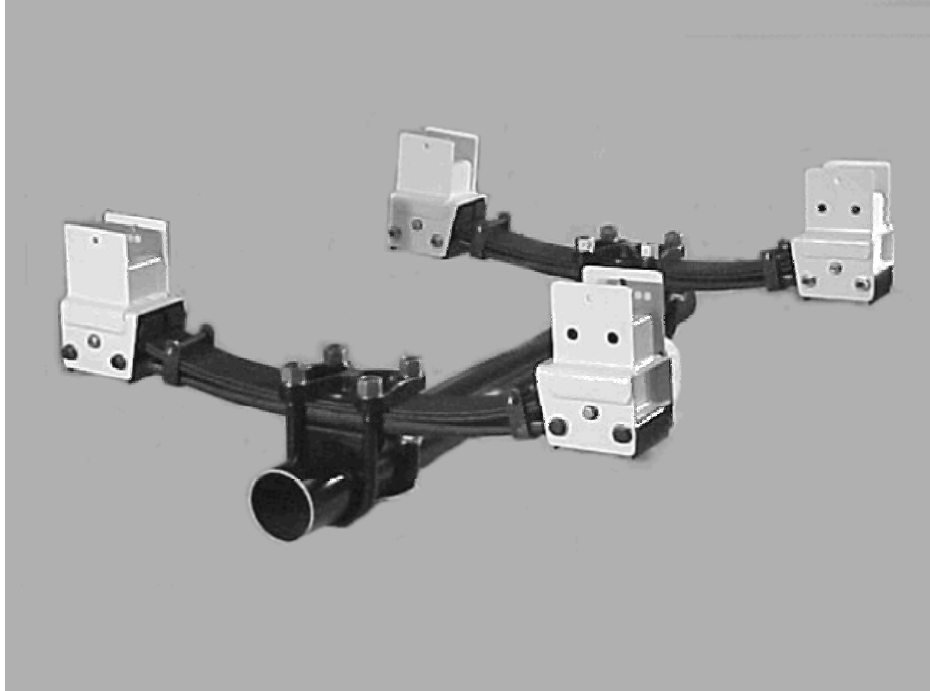
Rubber or Shok-Sorb Urethane block-mounted spring eyes and axle-aligning spring seats. No radius rods or torque arms.

Capacity

20,000 pounds



Single Rear Axle Trailer Suspension SRA-3

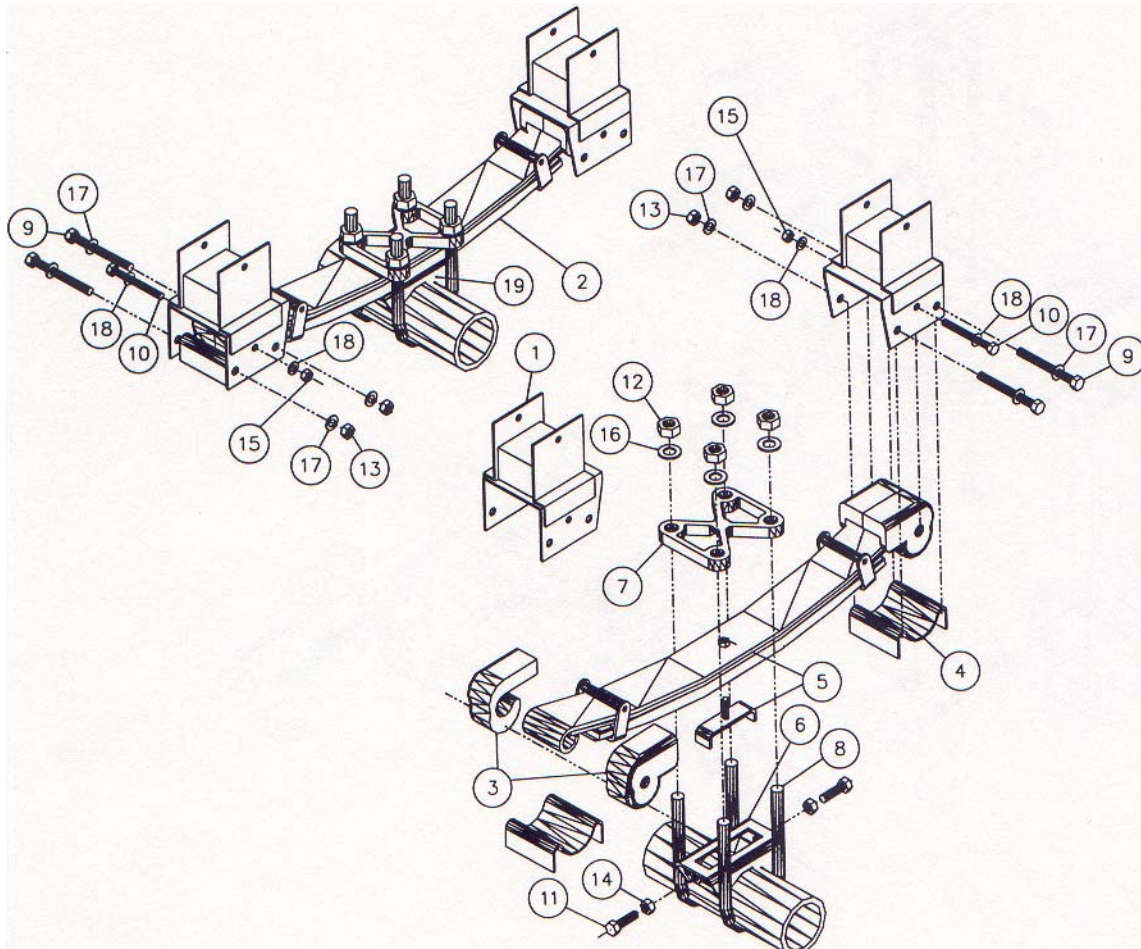


The advanced **Silver Eagle** single rear axle trailer suspension is the lightweight answer to fleets' needs for smooth riding performance. The **Silver Eagle** suspension is designed with wider (4" vs. 3" wide) leaf springs with 33% lower working stress so springs last longer. Dual-stage design provides a "soft" suspension under an empty trailer that stiffens up under full load.

The **Silver Eagle** rubber or Shok-Sorb Urethane rubber boot spring eye mounting not only eliminates the radius rods but also reduces high frequency vibration, noise and fatiguing damage to the suspension, trailer and cargo with tight, quiet, "zero free play" performance.



SRA-3



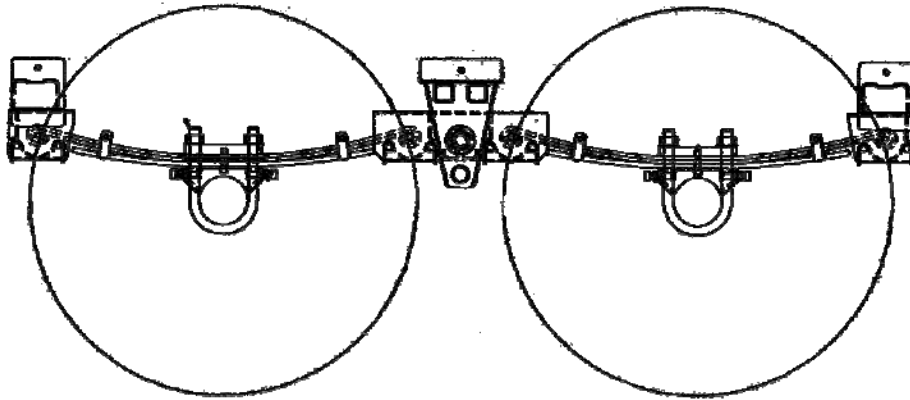


SRA - 3

Item	Part Nbr.	Description
	12179	SINGLE REAR AXLE SUSPENSION, 13 HEIGHT, 3 LEAF SPRINGS
1	1088	HANGER, FRONT & REAR
2	9631	SPRING, 2 STAGE, 3 LEAF, 10000 LBS
3	1204	BUSHINGS, SPRING BOOT, RUBBER, PAIR
3	12171	BUSHINGS, SPRING BOOT, SHOK-SORB URETHANE, PAIR
4	1036	RETAINER, SPRING BOOT
5	10665	ASSY, PAD, AXLE ALMNT (3-1/2 AXLE HT)
6	10661	WLDMT, SPRING-SEAT, ADJ (3-1/2 AXLE HT)
7	10290	PRESSURE PLATE, 3 LF SPRING
8	12141	U-BOLT, 1 X 5 X 10, AISI-4142
9	11622	CAPSCREW, 5/8 - 11 UNC X 7, HX GR 8, PLTD
10	7904	CAPSCREW, 1/2 - 3 UNC X 6.5, HEX, GR 8, PLTD
11	3125	SETSCREW, 5/8 - 11 UNC X 2-1/4, SQHD, OVALPT, PLTD
12	3398	NUT, 1 - 14 UNF, THICK, HX GR 8, PLTD
13	1164	NUT, 5/8 - 11 UNC, METAL LOCK, HEX, GR C, PLTD.
14	1700	NUT, 5/8 - 11 UNC, JAM, HX GR 5 PLTD
15	1942	NUT, 1/2 - 13 UNC, METAL LOCK, HEX GR C, PLTD
16	1540	WASHER, 1-1/32 X 1-5/8 X .0625, FLAT, HRDN, PLTD
17	1172	WASHER, 5/8, FLAT, F436, HARDENED, PLTD
18	3438	WASHER, 1/2, FLAT, A325, HARDENED, PLTD
19	13205	WLDMT, SPRING-SEAT, NONADJ (3-1/2 AXLE HT)



Tandem-Axle Trailer Suspension



Standard Specifications

Springs

Four-inch wide shot-peened dual-stage leaf spring assemblies with modified parabolic tapered second-stage leaf.

Mounting

Rubber or urethane block-mounted spring eyes and axle-aligning spring seats. No radius rods or torque arms.

Axle

49" axle centers.

Capacity

34,000 pounds

Finish

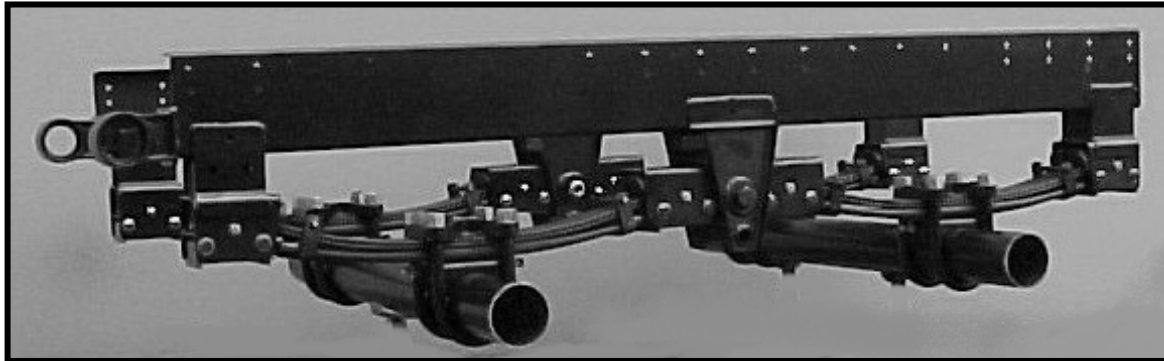
Suspension components are steel grit-blasted and coated with an eight-stage pretreatment and no-lead epoxy E-Coat primer.

Weight

568 pounds



Tandem-Axle Trailer Suspension



The advanced **Silver Eagle** tandem rear axle trailer suspension is the lightweight answer to fleets' needs for smooth riding performance. The **Silver Eagle** suspension is designed with wider (4" vs. 3" wide) leaf springs with 33% lower working stress so springs last longer. Dual-stage design provides a "soft" suspension under an empty trailer that stiffens up under full load.

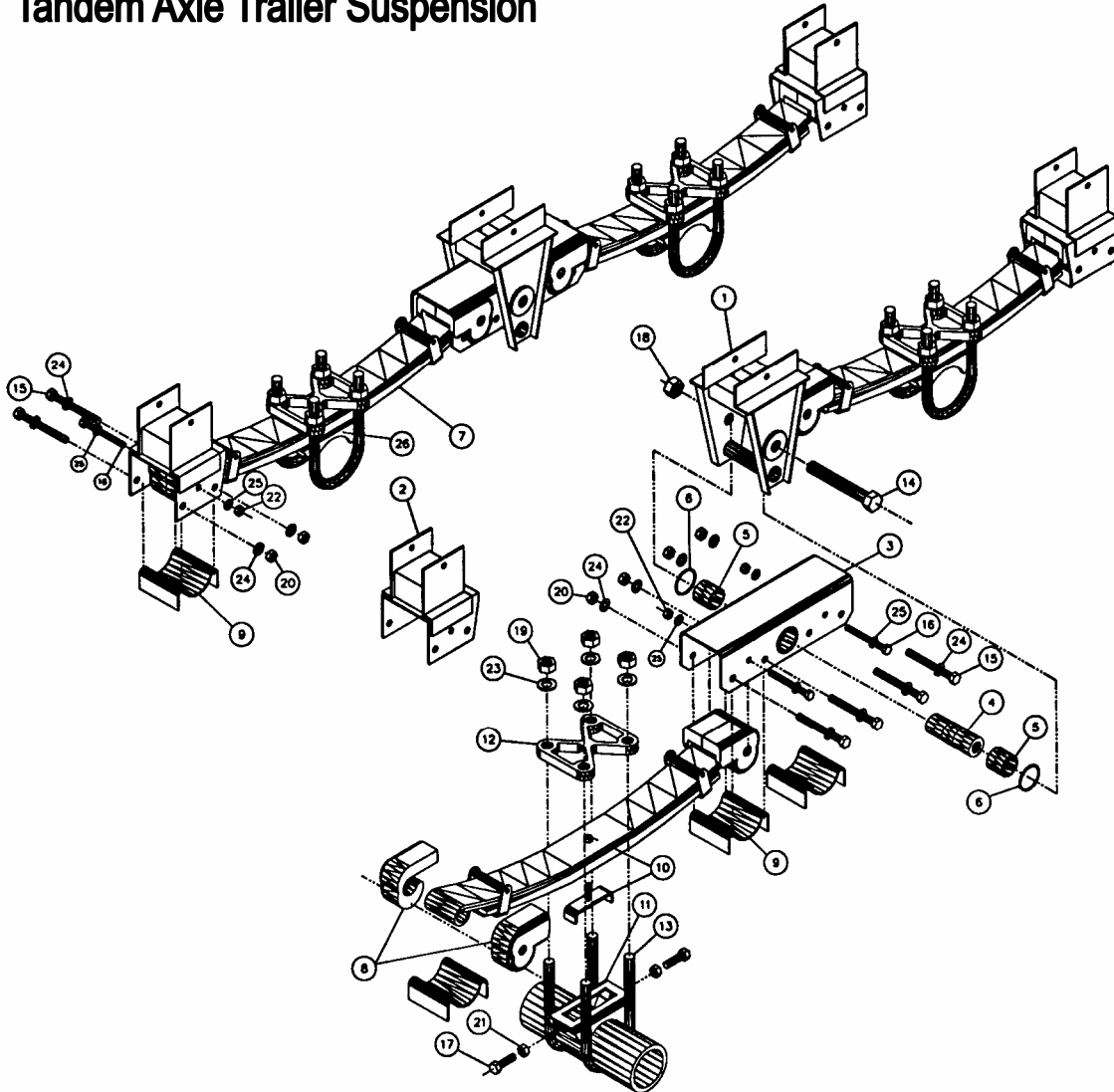
The **Silver Eagle** rubber or urethane boot spring eye mounting not only eliminates the radius rods but also reduces high frequency vibration, noise and fatiguing damage to the suspension, trailer and cargo with tight, quiet, "zero free play" performance.

The low friction, long life composite sleeve bearings used in the equalizer reduce axle hop and eliminate suspension maintenance. Because **Silver Eagle** uses high strength steel in the frame brackets the suspension weighs only 568 pounds.

The suspension is designed for 49" axle spacing, 40,000 pound capacity rating and ride height as low as 13". Brackets match up with 4" wide subframes for easy weld-on installation.



Tandem Axle Trailer Suspension





Tandem Axle Trailer Suspension

Item Part Nbr. Description

	12178	TANDEM REAR AXLE SUSPENSION, 13" HT, 3-LEAF SPRING
1	5708	HANGER WELDMENT, EQUALIZER
2	5671	HANGER, FRONT / REAR, TANDEM
3	10509	WELDMENT, EQUALIZER
4	1095	SHAFT, EQUALIZER PIVOT
5	1035	BEARING
6	10972	O-RING, 1.98 ID X .139
7	9631	SPRING, 3 LEAF, 2 STAGE, 10,000 LBS
8	1204	RUBBER-SPRING BOOT PAIR (NOT SHOWN)
9	1036	RETAINER, SPRING BOOT
10	10665	AXLE ALIGNMENT PAD ASSY, (3-1/2' Axle Height)
11	10661	SPRING SEAT WELDMENT, ADJUSTABLE, (3-1/2" Axle Height)
12	10290	PRESSURE PLATE, 3 LEAF SPRING
13	12141	U-BOLT ASSY, 1X5X10, W/NUTS & WASHERS
13	1302	U-BOLT, 1 X 5 X 10
14	1089	CAPSCREW, 1-1/8-7 UNC X 8, HX, GR 8, PLTD
15	11622	CAPSCREW, 5/8-11 UNC X 7, HX, GR 8, PLTD
16	7904	CAPSCREW, 1/2-3 UNC X 6.5, HX, GR 8, PLTD
17	3125	SETSCREW, 5/8-11 UNC X 2-1/4, SQHD, OVALPT, PLTD
18	1090	NUT, 1-1/8-7 UNC, METAL LOCK, HX, GR C, PLTD
19	3398	NUT, 1-14 UNF, THICK, HX, GR 8, PLTD
20	1164	NUT, 5/8-11 UNC, METAL LOCK, HX, GR C, PLTD
21	1700	NUT, 5/8-11 UNC, JAM, HX, GR 5, PLTD
22	1942	NUT, 1/2-13 UNC, METAL LOCK, HX, GR C, PLTD
23	1540	WASHER, 1-1/32 X 1-5/8 X .0625, FLAT, HRND, PLTD
24	1172	WASHER, 5/8, FLAT, F436, HRND, PLTD
25	3438	WASHER, 1/2, FLAT, A325, HRND, PLTD
26	13205	WLDMT, SPRING-SEAT, NON-ADJUSTING, 3 1/2 AXLE HT.