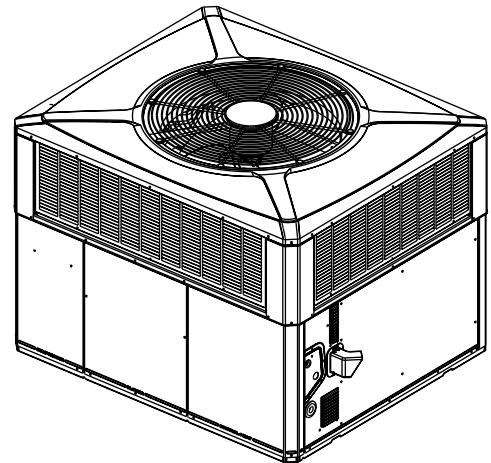




Product Data

Single Packaged Convertible Gas/Electric 14 SEER 2–5 Ton

4YCC4024A1060A
4YCC4030A1070A
4YCC4036A1070A
4YCC4036A1090A
4YCC4042A1060A
4YCC4042A1090A
4YCC4048A1070A
4YCC4048A1090A
4YCC4060A1090A
4YCC4060A1115A





SAFETY SECTION

Important — This document contains a wiring diagram, a parts list, and service information. This is customer property and is to remain with this unit. Please return to service information pack upon completion of work.

⚠ WARNING

HAZARDOUS GASES!

Exposure to fuel substances or by-products of incomplete fuel combustion is believed by the state of California to cause cancer, birth defects, or other reproductive harm. This warning complies with state of California law, Proposition 65.

⚠ WARNING

HAZARDOUS VOLTAGE!

Failure to follow this Warning could result in property damage, severe personal injury, or death.

Disconnect all electric power, including remote disconnects before servicing. Follow proper lockout/tagout procedures to ensure the power cannot be inadvertently energized.

⚠ WARNING

SAFETY AND ELECTRICAL HAZARD!

Failure to follow this Warning could result in property damage, severe personal injury, or death.

These servicing instructions are for use by qualified personnel only. To reduce the risk of electrical shock, do not perform any servicing other than that contained in these operating instructions unless you are qualified to do so.

⚠ CAUTION

GROUNDING REQUIRED!

Failure to inspect or use proper service tools may result in equipment damage or personal injury.

Reconnect all grounding devices. All parts of this product that are capable of conducting electrical current are grounded. If grounding wires, screws, straps, clips, nuts, or washers used to complete a path to ground are removed for service, they must be returned to their original position and properly fastened.

⚠ WARNING

UNIT CONTAINS R-410A REFRIGERANT!

Failure to use proper service tools may result in equipment damage or personal injury. R-410A operating pressure exceeds the limit of R-22. Proper service equipment is required. Service using only R-410A Refrigerant and approved POE compressor oil.

⚠ WARNING

SAFETY HAZARD!

Operating the unit without the access panels properly installed may result in severe personal injury or death.

Do not operate the unit without the evaporator fan access panel or evaporator coil access panel in place.

⚠ WARNING**WARNING!**

This product can expose you to chemicals including lead, which are known to the State of California to cause cancer and birth defects or other reproductive harm. For more information go to www.P65Warnings.ca.gov.

***Important:** Wear appropriate gloves, arm sleeve protectors and eye protection when servicing or maintaining this equipment.*

***Important:** Air filters and media wheels or plates shall meet the test requirements in UL 900.*



Table of Contents

Single Packaged Convertible Gas/Electric Systems	5
Optional Equipment Listing	6
Product Specifications	8
Indoor Fan Performance	13
Field Wiring Diagram	20
Wiring — 4YCC4	21
Full Perimeter Roof Mounting Curb	27
Optional Equipment — Economizer	29
Optional Equipment — Outside Air Damper	30
Optional Equipment — Filter Rack	31
Outline Drawings	32



Single Packaged Convertible Gas/Electric Systems

Trane offers a complete family of packaged gas/electric heating and cooling systems, designed to provide the unbeatable combination of energy efficiency and lower operating costs. In warm weather, the package gas/electric system functions as an all-electric, high efficiency air conditioner. In cold weather, it operates as a natural gas or propane gas furnace, offering the best of both energy worlds.

Because cooling and heating functions are all contained in a single cabinet, a single packaged convertible gas/electric system is easy to install and service.

It can be flush mounted beside your home at ground level or placed on the roof for horizontal or downflow installation. When connected to an optional American Standard thermostat control, and air distribution ducts, you have a highly efficient, total home comfort system.

Single Packaged Convertible Gas/Electric Systems are unmatched in quality and reliability.

All major components on these products, including the compressor, have been designed and manufactured for maximum service. Every compressor is designed and manufactured to exacting specifications. Each design is life tested in extreme environments to ensure reliable and long lasting operation in normal applications. Each compressor has internal motor protection for added reliability.

Single Packaged Convertible Gas/Electric Systems provide better performance.

Our single packaged cooling/heating units offer cooling/heating efficiencies that are unmatched in the industry and provide you with a product far superior in performance than the competition.



Optional Equipment Listing

* = T, W, or Y	
Hinged Filter Access Door (4*CC4024-036) (4*CY4024-4036)	BAYCCDOR1A []
Hinged Filter Access Door (4*CC4042-060) (4*CY4042-4060)	BAYCCDOR2A []
Roof Curb Full Perimeter (4*CC024-036A) (4*CY4024-4036)	BAYCURB050A []
Roof Curb Full Perimeter (4*CC042-060A) (4*CY4042-4060)	BAYCURB051A []
Roof Curb Utility Extension Kit (BAYCURB050A)	BAYUTIL101B []
Roof Curb Utility Extension Kit (BAYCURB051A)	BAYUTIL101B []
0-25% Manual Fresh Air Damper (4*CC4024-36A) (4*CY4024-4036) ^(a)	BAYOSAH001A []
0-25% Manual Fresh Air Damper (4*CC4042-60A) (4*CY4042-4060) ^(a)	BAYOSAH002A []
Motorized Fresh Air Damper (4*CC4024-036A) (4*CY4024-4036) ^(a)	BAYDMPR101A []
Motorized Fresh Air Damper (4*CC4042-060A) (4*CY4042-4060) ^(a)	BAYDMPR102A []
16" Round Duct Adapter (2 per box) (4*CC4024-036A) (4*CY4024-4036) ^(b)	BAYSQRD001A []
18" Round Duct Adapter (2 per box) (4*CC4024-060A) (4*CY4024-4036) ^(b)	BAYSQRD002A []
0-100% Mod Economizer w/Baro. Relief (4*CC4024-036A) (4*CY4024-4036) ^{(a)(c)(d)}	BAYECON101B []
0-100% Mod Economizer w/Baro. Relief (4*CC4042-060A) (4*CY4042-4060) ^{(a)(d)}	BAYECON102B []
0-100% Horizontal Economizer (4*CC4024-36A) (4*CY4024-4036) ^(a)	BAYECON200B []
0-100% Horizontal Economizer (4*CC4042-60A) (4*CY4042-4060) ^(a)	BAYECON201B []
Enthalpy Control for Economizer (ALL-BAYECON)	BAYEENTH001A []
Remote Potentiometer (ALL-BAYECON)	BAYSTAT023 []
1"–2" Filter Frame (4*CC4024-036A) (4*CY4024-4036) (18 x 25 filter not included)	BAYFLTR101C []
1"–2" Filter Frame (4*CC4042-060A) (4*CY4042-4060) (two 18 x 20 filters not included)	BAYFLTR201C []
Head Pressure Control (Low Ambient Cool) (208/240v) Kit	BAYLOAM105A []
Quick Start Kit (4WCC4-A1)(4TCC4-A1)	BAYQSTK300A []
Quick Start Kit (4YCC4-A1)	BAYQSTK301A []
Crankcase Heater Scroll (4*CC4024-036) (4*CY4024-4036) (230v)	BAYCCHT103A []
Crankcase Heater Scroll (4*CC4042-060) (4*CY4042-4060) (230v)	BAYCCHT102A []
Crankcase Heater Scroll (4*CC4024-036) (4*CY4024-4036) (230v)	BAYCCHT301A []
Crankcase Heater Scroll (4*CC4042-060) (4*CY4042-4060) (230v)	BAYCCHT302A []
Adapter Curb (4*CC4024-36A) (4*CY4024-4036A) to BAYCURB030,38	BAYADAP050A []
Adapter Curb (4*CC4024-36A) (4*CY4024-4036A) to BAYCURB033	BAYADAP051A []
Adapter Curb (4*CC4042-60A) (4*CY4042-4060A) to BAYCURB030,38	BAYADAP052A []
Adapter Curb (4*CC4042-60A) (4*CY4042-4060A) to BAYCURB033	BAYADAP053A []
Adapter Curb (4*CC4042-60A) (4*CY4042-4060A) to BAYCURB034	BAYADAP054A []
12" Duct Shroud Covers Horizontal (4*CC4024-060A) (4*CY4024-4060A)	BAYCOVR112A []
18" Duct Shroud Covers Horizontal (4*CC4024-060A) (4*CY4042-4060A)	BAYCOVR118A []
Extreme Condition Mounting Kit — All BAYCURB & BAYADAP	BAYEXMK001A []
Extreme Condition Mounting Kit — All BAYUTIL	BAYEXMK002B []
Extreme Condition Mounting Kit — All Slab Mounts	BAYEXMK003B []
Lifting Lug Kit	BAYLIFT002B []
LP Conversion Kit (All 115K Models)	BAYLPKT100A []
LP Conversion Kit (All 60K and 90K Models)	BAYLPKT101A []
LP Conversion Kit (All 70K Models)	BAYLPKT102A []
SUPPLEMENTARY HEATERS (1 PHASE) * = T or W Only (Does not apply to Gas/Electric dual fuel models)	
3.76/5.0 KW Heater (208/240V 1 PH) (4*CC4024-060A1)	BAYHTRV105F []
6.0/8.0 KW Heater (208/240V 1 PH) (4*CC4024-060A1)	BAYHTRV108F []
7.50/10.0 KW Heater (208/240V 1 PH) (4*CC4024-060A1)	BAYHTRV110F []
11.27/15.0 KW Heater (208/240V 1 PH) (4*CC4030-060A1)	BAYHTRV115F []
15.0/20.0 KW Heater (208/240V 1 PH) (4*CC4048-060A1)	BAYHTRV120F []
18.78/25.0 KW Heater (208/240V 1 PH) (4*CC40060A1)	BAYHTRV125F []



Optional Equipment Listing

SUPPLEMENTARY HEATERS (3 PHASE) * = T or W Only (Does not apply to Gas/Electric dual fuel models)	
3.76/5.0 KW Heater (208/240V 3 PH) (4WCY4036-060A3)	BAYHTRV305F []
3.76/5.0 KW Heater (208/240V 3 PH) (4WCY4036-060A3)	BAYHTRV308F []
7.50/10.0 KW Heater (208/240V 3 PH) (4WCY4024-048A3)	BAYHTRV310F []
11.27/15.0 KW Heater (208/240V 3 PH) (4WCY4036-060A3)	BAYHTRV315F []
15.0/20.0 KW Heater (208/240V 3 PH) (4WCY4048-060A3)	BAYHTRV320F []
18.78/25.0 KW Heater (208/240V 3 PH) (4WCY4048-060A1)	BAYHTRV325F []
Single Power Entry Kit (e)	BAYSPEK060F []
Single Power Entry Kit (e)	BAYSPEK061E []
Single Power Entry Kit (e)	BAYSPEK062F []
Single Power Entry Kit (e)	BAYSPEK063F []
Single Power Entry Kit (e)	BAYSPEK064E []
Single Power Entry Kit (e)	BAYSPEK065E []

(a) Must use internal filter frame when economizer or fresh air kit is used.

(b) It is the responsibility of the installing dealer to properly size the ductwork for each specific application.

(c) Dry bulb control standard with economizer.

(d) Downflow only.

(e) Must be selected per unit and heater model



Product Specifications

MODEL	4YCC4024A1060A	4YCC4030A1070A	4YCC4036A1070A	4YCC4036A1090A
RATED Volts/PH/Hz	208-230/1/60	208-230/1/60	208-230/1/60	208-230/1/60
Performance Cooling BTUH ^(a)	24600	28200	37000	37000
Indoor Airflow (CFM)	805	870	1190	1190
Power Input (KW)	1.99	2.39	3.08	3.08
EER/SEER (BTU/Watt-Hr.)	12.0 / 14.00	12.0 / 14.00	12.0 / 14.00	12.0 / 14.00
Sound Power Rating [dB(A)] ^(b)	66.6	70.0	69.3	69.3
PERFORMANCE HEATING^(c)				
Input BTUH-1st Stage (Natural Gas) ^(d)	60000	70000	70000	90000
AFUE	81	81	81	81
Temp. Rise — Min/Max (°F)	30 / 60	30 / 60	30 / 60	35 / 65
Orifice Qty/Drill Sz. (Natural Gas)	2 / #37	2 / #33	2 / #33	3 / #37
POWER CONN. — V/Ph/Hz	208-230/1/60	208-230/1/60	208-230/1/60	208-230/1/60
Min. Brch. Cir. Ampacity ^(e)	19.1	22.6	24.5	24.5
Fuse Size — Max. (amps)	30	35	40	40
Fuse Size — Recmd. (amps)	30	35	40	40
COMPRESSOR	SCROLL	SCROLL	SCROLL	SCROLL
VOLTS/PH/HZ	208-230/1/60	208-230/1/60	208-230/1/60	208-230/1/60
R.L. Amps — L.R. Amps	12.8 / 58.3	14.1 / 73.0	15.4 / 83.9	15.4 / 83.9
OUTDOOR COIL — TYPE	SPINE-FIN	SPINE-FIN	SPINE-FIN	SPINE-FIN
Rows/F.P.I	2 / 24	2 / 24	2 / 24	2 / 24
Face Area (sq. ft.)	13.32	13.32	15.49	15.49
Tube Size (in.)	3/8	3/8	3/8	3/8
INDOOR COIL — TYPE	MCHE	MCHE	MCHE	MCHE
Rows/F.P.I	2 / 16	2 / 16	2 / 16	2 / 16
Face Area (sq. ft.)	2.7	2.7	2.7	2.7
Tube Size Width (in.)	.81	.81	1"	1"
Refrigeration Control	EXPANSION VALVE	EXPANSION VALVE	EXPANSION VALVE	EXPANSION VALVE
Drain Conn. Size (in.)	3/4 FEMALE NPT	3/4 FEMALE NPT	3/4 FEMALE NPT	3/4 FEMALE NPT
OUTDOOR FAN — TYPE	SWEPT	SWEPT	SWEPT	SWEPT
DIA. (IN.)	23.4	23.4	23.4	23.4
DRIVE/NO. SPEEDS	DIRECT / 1	DIRECT / 1	DIRECT / 1	DIRECT / 1
CFM @ 0.0 in. w.g. ^(f)	2350	2800	3080	3080
Motor — HP/R.P.M	1/12 / 810	1/6 / 825	1 / 5 / 825	1 / 5 / 825
Volts/Ph/Hz	208-230/1/60	208-230/1/60	208-230 / 1 / 60	208-230 / 1 / 60
F.L. Amps/L.R Amps	.54 / .82	.85 / 1.65	1.1 / 2.0	1.1 / 2.0
INDOOR FAN — TYPE	CONSTANT TORQUE ECM	CONSTANT TORQUE ECM	CONSTANT TORQUE ECM	CONSTANT TORQUE ECM
Dia. x Width (in.)	10.62 X 10.62	10.62 X 10.62	10.62 X 10.62	10.62 X 10.62
Drive/No. Speeds	DIRECT-3	DIRECT-3	DIRECT-3	DIRECT-3
CFM @ 0.0 in. w.g. ^(g)	SEE FAN PERF TABLE	SEE FAN PERF TABLE	SEE FAN PERF TABLE	SEE FAN PERF TABLE
Motor — HP/R.P.M.	1/3 / 1050	1/2 / 1050	1/2 / 1050	1/2 / 1050
Volts/Ph/Hz	208-230/1/60	208-230/1/60	208-230/1/60	208-230/1/60
F.L. Amps	2.6	4.1	4.1	4.1
COMBUSTION FAN — TYPE	CENTRIFUGAL	CENTRIFUGAL	CENTRIFUGAL	CENTRIFUGAL
Drive/No. Speeds	DIRECT / 1	DIRECT / 1	DIRECT / 1	DIRECT / 1

Product Specifications

MODEL	4YCC4024A1060A	4YCC4030A1070A	4YCC4036A1070A	4YCC4036A1090A
Motor — HP/R.P.M.	1/34 / 3350	1/34 / 3290	1/34 / 3290	1/34 / 3075
Volts/Ph/Hz	230/1/60	230/1/60	230/1/60	230/1/60
FLA	.20	.20	.20	.24
FILTER / FURNISHED	NO	NO	NO	NO
Type Recommended	THROWAWAY	THROWAWAY	THROWAWAY	THROWAWAY
Recmd. Face Area (sq. ft.) ^(h)	4.0	4.0	4.0	4.0
REFRIGERANT	R-410	R-410	R-410	R-410
Charge (lbs.)	5.24	6.94	7.2	7.2
CHARGING SPECIFICATIONS				
Subcooling	12°	11°	11°	11°
GAS PIPE SIZE (in.)	1/2	1/2	1/2	1/2
DIMENSIONS	H X D X W	H X D X W	H X D X W	H X D X W
Crated (in.)	46 X 45 X 52	46 X 45 X 52	48 X 45 X 52	48 X 45 X 52
WEIGHT				
Shipping (lbs.) / Net (lbs.)	432 / 358	451 / 377	438 / 374	453 / 379

- (a) Rated in accordance with AHRI Standard 210/240. AHRI standard rating conditions are: 80 D.B.67 W.B. entering air to indoor coil. 95 D.B. entering air to outdoor coil.
- (b) Sound Power values are not adjusted for AHRI 270–95 tonal corrections.
- (c) Ratings shown are for elevations up to 2000 ft. For higher elevations reduce ratings at a rate of 4% per 1000 ft. elevation.
- (d) Convertible to LPG.
- (e) This value is approximate. For more precise value, see Unit Nameplate.
- (f) Standard Air — Dry Coil — Outdoor.
- (g) Based on U.S. Government Standard Tests.
- (h) Filters must be installed in return air stream. Square footages listed are based on 300 f.p.m. face velocity. If permanent filters are used size per manufacturer's recommendation with a clean resistance of 0.05" W.C.

MODEL	4YCC4042A1060A	4YCC4042A1090A	4YCC4048A1070A
RATED Volts/PH/Hz	208–230/1/60	208–230/1/60	208–230/1/60
Performance Cooling BTUH ^(a)	40500	40500	46500
Indoor Airflow (CFM)	1450	1450	1600
Power Input (KW)	3.4	3.4	4.06
EER/SEER (BTU/Watt-Hr.)	12.0 / 14.00	12.0 / 14.00	11.50 / 14.00
Sound Power Rating [dB(A)] ^(b)	74.6	74.6	72.5
PERFORMANCE HEATING^(c)			
Input BTUH-1st Stage (Natural Gas) ^(d)	60000	90000	70000
AFUE	81	81	81
Temp. Rise — Min/Max (°F)	30 / 60	35 / 65	30 / 60
Orifice Qty/Drill Sz. (Natural Gas)	2 / #37	3 / #37	2 / #33
POWER CONN. — V/Ph/Hz	208–230/1/60	208–230/1/60	208–230/1/60
Min. Brch. Cir. Ampacity ^(e)	28.5	28.5	32.0
Fuse Size — Max. (amps)	45	45	50
Fuse Size — Recmd. (amps)	45	45	50
COMPRESSOR	SCROLL	SCROLL	SCROLL
VOLTS/PH/HZ	208–230/1/60	208–230/1/60	208–230/1/60
R.L. Amps — L.R. Amps	16.7 / 109.0	16.7 / 109.0	19.6 / 130.0
OUTDOOR COIL — TYPE	SPINE-FIN	SPINE-FIN	SPINE-FIN
Rows/F.P.I	2 / 24	2 / 24	2 / 24
Face Area (sq. ft.)	15.63	15.63	20.54
Tube Size (in.)	3/8	3/8	3/8
INDOOR COIL — TYPE	MCHE	MCHE	MCHE
Rows/F.P.I	2 / 16	2 / 16	2 / 16



Product Specifications

MODEL	4YCC4042A1060A	4YCC4042A1090A	4YCC4048A1070A
Face Area (sq. ft.)	3.9	3.9	3.9
Tube Size Width (in.)	.81	.81	.81
Refrigeration Control	EXPANSION VALVE	EXPANSION VALVE	EXPANSION VALVE
Drain Conn. Size (in.)	3/4 FEMALE NPT	3/4 FEMALE NPT	3/4 FEMALE NPT
OUTDOOR FAN — TYPE	SWEPT	SWEPT	SWEPT
DIA. (IN.)	28.25	28.25	28.25
DRIVE/NO. SPEEDS	DIRECT / 1	DIRECT / 1	DIRECT / 1
CFM @ 0.0 in. w.g. ^(f)	3400	3400	4800
Motor — HP/R.P.M	1/4 / 825	1/4 / 825	1/4 / 825
Volts/Ph/Hz	208-230/1/60	208-230/1/60	208-230 / 1 / 60
F.L. Amps/L.R Amps	1.51 / 3.07	1.51 / 3.07	1.51 / 3.07
INDOOR FAN — TYPE	CONSTANT TORQUE ECM	CONSTANT TORQUE ECM	CONSTANT TORQUE ECM
Dia. x Width (in.)	10.62 X 10.62	10.62 X 10.62	10.62 X 10.62
Drive/No. Speeds	DIRECT / 3	DIRECT / 3	DIRECT / 3
CFM @ 0.0 in. w.g. ^(g)	SEE FAN PERF TABLE	SEE FAN PERF TABLE	SEE FAN PERF TABLE
Motor — HP/R.P.M.	3/4 / 1050	3/4 / 1050	3/4 / 1050
Volts/Ph/Hz	208-230/1/60	208-230/1/60	208-230/1/60
F.L. Amps	6	6	6
COMBUSTION FAN — TYPE	CENTRIFUGAL	CENTRIFUGAL	CENTRIFUGAL
Drive/No. Speeds	DIRECT / 1	DIRECT / 1	DIRECT / 1
Motor — HP/R.P.M.	1/34 / 3345	1/34 / 3075	1/34 / 3290
Volts/Ph/Hz	230/1/60	230/1/60	230/1/60
FLA	.20	.24	.20
FILTER / FURNISHED	NO	NO	NO
Type Recommended	THROWAWAY	THROWAWAY	THROWAWAY
Recmd. Face Area (sq. ft) ^(h)	5.3	5.3	5.3
REFRIGERANT	R-410	R-410	R-410
Charge (lbs.)	7.3	7.3	7.5
CHARGING SPECIFICATIONS			
Subcooling	10°	10°	10°
GAS PIPE SIZE (in.)	1/2	1/2	1/2
DIMENSIONS	H X D X W	H X D X W	H X D X W
Crated (in.)	46 X 47 X 62	46 X 47 X 62	50 X 47 X 62
WEIGHT			
Shipping (lbs.) / Net (lbs.)	555 / 452	561 / 457	552 / 448

(a) Rated in accordance with AHRI Standard 210/240. AHRI standard rating conditions are: 80 D.B.67 W.B. entering air to indoor coil. 95 D.B. entering air to outdoor coil.

(b) Sound Power values are not adjusted for AHRI 270-95 tonal corrections.

(c) Ratings shown are for elevations up to 2000 ft. For higher elevations reduce ratings at a rate of 4% per 1000 ft. elevation.

(d) Convertible to LPG.

(e) This value is approximate. For more precise value, see Unit Nameplate.

(f) Standard Air — Dry Coil — Outdoor.

(g) Based on U.S. Government Standard Tests.

(h) Filters must be installed in return air stream. Square footages listed are based on 300 f.p.m. face velocity. If permanent filters are used size per manufacturer's recommendation with a clean resistance of 0.05" W.C.

MODEL	4YCC4048A1090A	4YCC4060A1090A	4YCC4060A1115A
RATED Volts/PH/Hz	208-230/1/60	208-230/1/60	208-230/1/60
Performance Cooling BTUH ^(a)	46500	58000	58000
Indoor Airflow (CFM)	1600	1760	1760
Power Input (KW)	4.09	4.94	4.94



Product Specifications

MODEL	4YCC4048A1090A	4YCC4060A1090A	4YCC4060A1115A
EER/SEER (BTU/Watt-Hr.)	11.50 / 14.00	11.50 / 14.00	11.50 / 14.00
Sound Power Rating [dB(A)] ^(b)	72.5	73.1	73.1
PERFORMANCE HEATING^(c)			
Input BTUH-1st Stage (Natural Gas) ^(d)	90000	90000	115000
AFUE	81	81	81
Temp. Rise — Min/Max (°F)	35 / 65	30 / 60	30 / 60
Orifice Qty/Drill Sz. (Natural Gas)	3 / #37	3 / #37	3 / #33
POWER CONN. — V/Ph/Hz	208-230/1/60	208-230/1/60	208-230/1/60
Min. Brch. Cir. Ampacity ^(e)	32.0	39.1	39.1
Fuse Size — Max. (amps)	50	60	60
Fuse Size — Recmd. (amps)	50	60	60
COMPRESSOR	SCROLL	SCROLL	SCROLL
VOLTS/PH/HZ	208-230/1/60	208-230/1/60	208-230/1/60
R.L. Amps — L.R. Amps	19.6 / 130.0	24.4 / 144.2	24.4 / 144.2
OUTDOOR COIL — TYPE	SPINE-FIN	SPINE-FIN	SPINE-FIN
Rows/F.P.I	2 / 24	2 / 24	2 / 24
Face Area (sq. ft.)	20.54	22.99	22.99
Tube Size (in.)	3/8	3/8	3/8
INDOOR COIL — TYPE	MCHE	PLATE FIN	PLATE FIN
Rows/F.P.I	2 / 16	4 / 15	4 / 15
Face Area (sq. ft.)	3.9	5.0	5.0
Tube Size Width (in.)	.81	3/8	3/8
Refrigeration Control	EXPANSION VALVE	EXPANSION VALVE	EXPANSION VALVE
Drain Conn. Size (in.)	3/4 FEMALE NPT	3/4 FEMALE NPT	3/4 FEMALE NPT
OUTDOOR FAN — TYPE	SWEPT	SWEPT	SWEPT
DIA. (IN.)	28.25	28.25	28.25
DRIVE/NO. SPEEDS	DIRECT / 1	DIRECT / 1	DIRECT / 1
CFM @ 0.0 in. w.g. ^(f)	4800	4800	4800
Motor — HP/R.P.M	1/4 / 825	1/3 / 825	1/3 / 825
Volts/Ph/Hz	208-230 / 1 / 60	208-230/1/60	208-230 / 1 / 60
F.L. Amps/L.R Amps	1.51 / 3.07	1.7 / 3.5	1.7 / 3.5
INDOOR FAN — TYPE	CONSTANT TORQUE ECM	CONSTANT TORQUE ECM	CONSTANT TORQUE ECM
Dia. x Width (in.)	10.62 X 10.62	11.87 X 10.68	11.87 X 10.68
Drive/No. Speeds	DIRECT / 3	DIRECT / 3	DIRECT / 3
CFM @ 0.0 in. w.g. ^(g)	SEE FAN PERF TABLE	SEE FAN PERF TABLE	SEE FAN PERF TABLE
Motor — HP/R.P.M.	3/4 / 1050	1 / 1050	1 / 1050
Volts/Ph/Hz	208-230/1/60	208-230/1/60	208-230/1/60
F.L. Amps	6	6.9	6.9
COMBUSTION FAN — TYPE	CENTRIFUGAL	CENTRIFUGAL	CENTRIFUGAL
Drive/No. Speeds	DIRECT / 1	DIRECT / 1	DIRECT / 1
Motor — HP/R.P.M.	1/34 / 3075	1/34 / 3075	1/34 / 3055
Volts/Ph/Hz	230/1/60	230/1/60	230/1/60
FLA	.24	.24	.25
FILTER / FURNISHED	NO	NO	NO
Type Recommended	THROWAWAY	THROWAWAY	THROWAWAY
Recmd. Face Area (sq. ft) ^(h)	5.3	5.3	5.3
REFRIGERANT	R-410	R-410	R-410



Product Specifications

MODEL	4YCC4048A1090A	4YCC4060A1090A	4YCC4060A1115A
Charge (lbs.)	7.5	9.65	9.65
CHARGING SPECIFICATIONS			
Subcooling	10°	11°	11°
GAS PIPE SIZE (in.)	1/2	1/2	1/2
DIMENSIONS			
	H X D X W	H X D X W	H X D X W
Crated (in.)	50 X 47 X 62	50 X 47 X 62	50 X 47 X 62
WEIGHT			
Shipping (lbs.) / Net (lbs.)	557 / 453	580 / 476	586 / 482

- (a) Rated in accordance with AHRI Standard 210/240. AHRI standard rating conditions are: 80 D.B.67 W.B. entering air to indoor coil. 95 D.B. entering air to outdoor coil.
- (b) Sound Power values are not adjusted for AHRI 270-95 tonal corrections.
- (c) Ratings shown are for elevations up to 2000 ft. For higher elevations reduce ratings at a rate of 4% per 1000 ft. elevation.
- (d) Convertible to LPG.
- (e) This value is approximate. For more precise value, see Unit Nameplate.
- (f) Standard Air — Dry Coil — Outdoor.
- (g) Based on U.S. Government Standard Tests.
- (h) Filters must be installed in return air stream. Square footages listed are based on 300 f.p.m. face velocity. If permanent filters are used size per manufacturer's recommendation with a clean resistance of 0.05" W.C.



Indoor Fan Performance

Table 1. Horizontal Airflow

4YCC4024A1060A			EXTERNAL STATIC PRESSURE (IN. WG)										
MOTOR SPEED	Tap Number		0	0.1	0.2	0.3	0.4	0.5	0.6	0.7	0.8	0.9	1
CONSTANT CIRCULATION	1	CFM	APPROXIMATELY 40 - 50 % COOLING OR HEATING AIRFLOW										
		WATTS											
COOLING-LOW	2	CFM	954	900	846	794	729	650	588	535	488	—	—
		WATTS	107	114	121	128	138	147	152	157	161	—	—
COOLING-HIGH	3	CFM	1041	993	938	890	836	777	707	644	594	—	—
		WATTS	135	142	150	158	167	175	185	191	196	—	—
HEAT-LOW	4	CFM	1123	1059	994	943	889	—	—	—	—	—	—
		WATTS	143	152	160	167	175	—	—	—	—	—	—
HEAT-HIGH	5	CFM	—	—	1122	1069	1022	974	922	871	809	—	—
		WATTS	—	—	213	221	229	238	245	253	261	—	—

Table 2. Down Airflow

4YCC4024A1060A			EXTERNAL STATIC PRESSURE (IN. WG)										
MOTOR SPEED	Tap Number		0	0.1	0.2	0.3	0.4	0.5	0.6	0.7	0.8	0.9	1
CONSTANT CIRCULATION	1	CFM	APPROXIMATELY 40 - 50 % COOLING OR HEATING AIRFLOW										
		WATTS											
COOLING-LOW	2	CFM	945	891	838	786	722	643	582	530	483	—	—
		WATTS	108	115	122	129	138	148	153	158	162	—	—
COOLING-HIGH	3	CFM	1031	983	929	881	828	769	700	637	588	—	—
		WATTS	136	143	151	159	167	176	186	192	197	—	—
HEAT-LOW	4	CFM	1123	1059	994	943	889	—	—	—	—	—	—
		WATTS	143	152	160	167	175	—	—	—	—	—	—
HEAT-HIGH	5	CFM	1240	1184	1122	1069	1022	974	922	871	—	—	—
		WATTS	193	202	213	221	229	238	245	253	—	—	—

Table 3. Horizontal Airflow

4YCC4030A1070A			EXTERNAL STATIC PRESSURE (IN. WG)										
MOTOR SPEED	Tap Number		0	0.1	0.2	0.3	0.4	0.5	0.6	0.7	0.8	0.9	1
CONSTANT CIRCULATION	1	CFM	APPROXIMATELY 40 - 50 % COOLING OR HEATING AIRFLOW										
		WATTS											
COOLING-LOW	2	CFM	1051	994	939	889	840	775	708	642	582	—	—
		WATTS	126	134	142	150	158	167	176	184	188	—	—
COOLING-HIGH	3	CFM	1278	1236	1187	1141	1099	1059	1017	968	—	—	—
		WATTS	221	230	240	250	259	268	278	289	—	—	—
HEAT-LOW	4	CFM	1148	1103	1061	1022	982	932	—	—	—	—	—
		WATTS	199	208	216	224	233	243	—	—	—	—	—
HEAT-HIGH	5	CFM	—	—	—	1158	1122	1084	1039	988	—	—	—
		WATTS	—	—	—	301	310	320	331	343	—	—	—

Table 4. Down Airflow

4YCC4030A1070A			EXTERNAL STATIC PRESSURE (IN. WG)										
MOTOR SPEED	Tap Number		0	0.1	0.2	0.3	0.4	0.5	0.6	0.7	0.8	0.9	1
CONSTANT CIRCULATION	1	CFM	APPROXIMATELY 40 - 50 % COOLING OR HEATING AIRFLOW										
		WATTS											



Indoor Fan Performance

Table 4. Down Airflow (continued)

COOLING-LOW	2	CFM	1041	984	930	880	831	768	701	635	576	—	—
		WATTS	126	135	143	150	158	168	177	184	189	—	—
COOLING-HIGH	3	CFM	1266	1224	1175	1129	1088	1048	1007	959	—	—	—
		WATTS	222	231	241	251	260	270	279	290	—	—	—
HEAT-LOW	4	CFM	1136	1091	1050	1012	972	922	—	—	—	—	—
		WATTS	197	205	214	222	230	241	—	—	—	—	—
HEAT-HIGH	5	CFM	—	—	—	1147	1111	1073	1028	978	—	—	—
		WATTS	—	—	—	298	307	317	328	339	—	—	—

Table 5. Horizontal Airflow

4YCC4036A1070A			EXTERNAL STATIC PRESSURE (IN. WG)										
MOTOR SPEED	Tap Number		0	0.1	0.2	0.3	0.4	0.5	0.6	0.7	0.8	0.9	1
CONSTANT CIRCULATION	1	CFM	APPROXIMATELY 40 - 50 % COOLING OR HEATING AIRFLOW										
		WATTS	APPROXIMATELY 40 - 50 % COOLING OR HEATING AIRFLOW										
COOLING-LOW	2	CFM	1256	1223	1193	1167	1136	1101	1065	1026	955	—	—
		WATTS	339	350	358	366	374	383	391	399	386	—	—
COOLING-HIGH	3	CFM	1402	1372	1344	1316	1289	1241	1144	1025	—	—	—
		WATTS	471	479	488	497	506	499	454	406	—	—	—
HEAT-LOW	4	CFM	1185	1141	1099	1055	1009	968	920	854	808	731	624
		WATTS	241	251	260	270	279	289	299	311	320	306	284
HEAT-HIGH	5	CFM	1386	1354	1311	1276	1238	1198	1164	1069	805	689	596
		WATTS	386	399	409	419	430	441	452	432	320	303	298
4YCC4036A1090A			EXTERNAL STATIC PRESSURE (IN. WG)										
CONSTANT CIRCULATION	1	CFM	APPROXIMATELY 40 - 50 % COOLING OR HEATING AIRFLOW										
		WATTS	APPROXIMATELY 40 - 50 % COOLING OR HEATING AIRFLOW										
COOLING-LOW	2	CFM	1288	1254	1225	1193	1158	1117	1070	956	806	639	—
		WATTS	340	348	357	366	375	385	395	365	320	273	—
COOLING-HIGH	3	CFM	1358	1326	1300	1271	1241	1201	1107	933	739	643	—
		WATTS	402	410	419	427	437	447	423	361	293	271	—
HEAT-LOW	4	CFM	1292	1259	1230	1199	1163	1124	1071	963	799	638	—
		WATTS	343	351	360	369	378	388	398	370	316	293	—
HEAT-HIGH	5	CFM	1367	1341	1310	1282	1250	1212	1075	928	781	631	—
		WATTS	404	413	421	431	439	448	404	346	302	282	—

Table 6. Down Airflow

4YCC4036A1070A			EXTERNAL STATIC PRESSURE (IN. WG)										
MOTOR SPEED	Tap Number		0	0.1	0.2	0.3	0.4	0.5	0.6	0.7	0.8	0.9	1
CONSTANT CIRCULATION	1	CFM	APPROXIMATELY 40 - 50 % COOLING OR HEATING AIRFLOW										
		WATTS	APPROXIMATELY 40 - 50 % COOLING OR HEATING AIRFLOW										

Table 6. Down Airflow (continued)

COOLING-LOW	2	CFM	1249	1216	1185	1155	1122	1089	1054	1016	934	—	—
		WATTS	343	351	359	367	376	384	392	400	400	379	—
COOLING-HIGH	3	CFM	1390	1357	1329	1301	1273	1212	1125	1008	—	—	—
		WATTS	476	485	493	501	508	488	449	398	—	—	—
HEAT-LOW	4	CFM	1173	1130	1088	1044	999	958	911	846	800	724	618
		WATTS	238	248	258	267	277	286	296	308	316	303	282
HEAT-HIGH	5	CFM	1373	1340	1298	1263	1225	1186	1153	1058	797	682	590
		WATTS	382	395	405	415	425	437	448	428	317	300	295
4YCC4036A1090A			EXTERNAL STATIC PRESSURE (IN. WG)										
CONSTANT CIRCULATION	1	CFM	APPROXIMATELY 40 - 50 % COOLING OR HEATING AIRFLOW										
		WATTS	APPROXIMATELY 40 - 50 % COOLING OR HEATING AIRFLOW										
COOLING-LOW	2	CFM	—	1238	1207	1176	1143	1091	1036	928	770	—	—
		WATTS	—	348	357	366	375	385	395	365	320	—	—
COOLING-HIGH	3	CFM	1350	1320	1294	1263	1234	1196	1102	928	735	—	—
		WATTS	402	410	419	427	437	447	423	361	293	—	—
HEAT-LOW	4	CFM	1285	1252	1222	1186	1148	1111	1060	954	781	—	—
		WATTS	343	351	360	369	378	388	398	370	316	—	—
HEAT-HIGH	5	CFM	1355	1326	1295	1267	1235	1183	1056	913	—	—	—
		WATTS	404	413	421	431	439	448	404	346	—	—	—

Table 7. Horizontal Airflow

4YCC4042A1060A			EXTERNAL STATIC PRESSURE (IN. WG)										
MOTOR SPEED	Tap Number		0	0.1	0.2	0.3	0.4	0.5	0.6	0.7	0.8	0.9	1
CONSTANT CIRCULATION	1	CFM	APPROXIMATELY 40 - 50 % COOLING OR HEATING AIRFLOW										
		WATTS	APPROXIMATELY 40 - 50 % COOLING OR HEATING AIRFLOW										
COOLING-LOW	2	CFM	1358	1393	1348	1296	1253	1204	1157	1096	1057	988	—
		WATTS	224	233	242	252	262	272	283	295	305	319	—
COOLING-HIGH	3	CFM	1521	1490	1448	1391	1362	1338	1315	1307	1254	1148	—
		WATTS	306	316	327	337	348	359	369	382	395	407	—
HEAT-LOW	4	CFM	1104	1042	977	911	841	764	687	598	—	—	—
		WATTS	109	116	124	134	142	152	161	171	—	—	—
HEAT-HIGH	5	CFM	—	1171	1112	1050	990	927	851	779	704	—	—
		WATTS	—	154	162	172	182	192	203	214	225	—	—
4YCC4042A1090A			EXTERNAL STATIC PRESSURE (IN. WG)										
CONSTANT CIRCULATION	1	CFM	APPROXIMATELY 40 - 50 % COOLING OR HEATING AIRFLOW										
		WATTS	APPROXIMATELY 40 - 50 % COOLING OR HEATING AIRFLOW										
COOLING-LOW	2	CFM	1358	1393	1348	1296	1253	1204	1157	1096	1057	988	—
		WATTS	224	233	242	252	262	272	283	295	305	319	—
COOLING-HIGH	3	CFM	1521	1490	1448	1391	1362	1338	1315	1307	1254	1148	—
		WATTS	306	316	327	337	348	359	369	382	395	407	—



Indoor Fan Performance

Table 7. Horizontal Airflow (continued)

HEAT-LOW	4	CFM	1419	1380	1341	1295	1249	1204	1160	1115	1069	1015	961
		WATTS	240	250	259	269	279	291	302	312	323	333	348
HEAT-HIGH	5	CFM	1559	1524	1483	1443	1401	1363	1319	1276	1233	1195	1147
		WATTS	313	324	335	346	356	367	379	392	403	415	428

Table 8. Down Airflow

4YCC4042A1060A			EXTERNAL STATIC PRESSURE (IN. WG)										
MOTOR SPEED	Tap Number		0	0.1	0.2	0.3	0.4	0.5	0.6	0.7	0.8	0.9	1
CONSTANT CIRCULATION	1	CFM	APPROXIMATELY 40 - 50 % COOLING OR HEATING AIRFLOW										
		WATTS	APPROXIMATELY 40 - 50 % COOLING OR HEATING AIRFLOW										
COOLING-LOW	2	CFM	1345	1379	1334	1283	1241	1192	1145	1085	1046	979	—
		WATTS	228	238	247	257	267	278	289	301	312	325	—
COOLING-HIGH	3	CFM	1506	1475	1433	1377	1348	1325	1302	1293	1241	1136	—
		WATTS	312	322	333	344	354	366	377	389	403	415	—
HEAT-LOW	4	CFM	1109	1047	982	916	845	767	690	601	—	—	—
		WATTS	109	117	125	134	143	153	162	172	—	—	—
HEAT-HIGH	5	CFM	—	1177	1117	1055	995	931	856	783	707	—	—
		WATTS	—	155	163	173	182	193	204	215	226	—	—
4YCC4042A1090A			EXTERNAL STATIC PRESSURE (IN. WG)										
CONSTANT CIRCULATION	1	CFM	APPROXIMATELY 40 - 50 % COOLING OR HEATING AIRFLOW										
		WATTS	APPROXIMATELY 40 - 50 % COOLING OR HEATING AIRFLOW										
COOLING-LOW	2	CFM	1345	1379	1334	1283	1241	1192	1145	1085	1046	979	—
		WATTS	228	238	247	257	267	278	289	301	312	325	—
COOLING-HIGH	3	CFM	1506	1475	1433	1377	1348	1325	1302	1293	1241	1136	—
		WATTS	312	322	333	344	354	366	377	389	403	415	—
HEAT-LOW	4	CFM	1426	1387	1348	1301	1255	1210	1166	1120	1074	1020	966
		WATTS	241	251	260	270	281	292	303	314	325	335	349
HEAT-HIGH	5	CFM	1567	1531	1491	1450	1408	1370	1326	1282	1239	1201	1152
		WATTS	315	325	337	347	358	368	381	394	405	417	430

Table 9. Horizontal Airflow

4YCC4048A1070A			EXTERNAL STATIC PRESSURE (IN. WG)										
MOTOR SPEED	Tap Number		0	0.1	0.2	0.3	0.4	0.5	0.6	0.7	0.8	0.9	1
CONSTANT CIRCULATION	1	CFM	APPROXIMATELY 40 - 50 % COOLING OR HEATING AIRFLOW										
		WATTS	APPROXIMATELY 40 - 50 % COOLING OR HEATING AIRFLOW										
COOLING-LOW	2	CFM	1583	1542	1502	1460	1415	1371	1326	1282	1230	1181	—
		WATTS	302	313	324	332	345	353	368	376	394	406	—
COOLING-HIGH	3	CFM	1763	1723	1689	1648	1609	1568	1527	1488	1447	1404	—
		WATTS	414	426	436	448	459	471	483	495	510	524	—

Table 9. Horizontal Airflow (continued)

HEAT-LOW	4	CFM	1120	1047	980	914	840	758	674	581	—	—	—
		WATTS	117	126	135	145	156	168	179	188	—	—	—
HEAT-HIGH	5	CFM	—	1204	1149	1095	1043	989	926	858	798	—	—
		WATTS	—	176	185	195	205	216	227	239	249	—	—
4YCC4048A1090A			EXTERNAL STATIC PRESSURE (IN. WG)										
CONSTANT CIRCULATION	1	CFM	APPROXIMATELY 40 - 50 % COOLING OR HEATING AIRFLOW										
		WATTS	APPROXIMATELY 40 - 50 % COOLING OR HEATING AIRFLOW										
COOLING-LOW	2	CFM	1583	1542	1502	1460	1415	1371	1326	1282	1230	1181	—
		WATTS	302	313	324	332	345	353	368	376	394	406	—
COOLING-HIGH	3	CFM	1763	1723	1689	1648	1609	1568	1527	1488	1447	1404	—
		WATTS	414	426	436	448	459	471	483	495	510	524	—
HEAT-LOW	4	CFM	1419	1380	1341	1295	1249	1204	1160	1115	1069	1015	961
		WATTS	240	250	259	269	279	291	302	312	323	333	348
HEAT-HIGH	5	CFM	1559	1524	1483	1443	1401	1363	1319	1276	1233	1195	1147
		WATTS	313	324	335	346	356	367	379	392	403	415	428

Table 10. Down Airflow

4YCC4048A1070A			EXTERNAL STATIC PRESSURE (IN. WG)										
MOTOR SPEED	Tap Number		0	0.1	0.2	0.3	0.4	0.5	0.6	0.7	0.8	0.9	1
CONSTANT CIRCULATION	1	CFM	APPROXIMATELY 40 - 50 % COOLING OR HEATING AIRFLOW										
		WATTS	APPROXIMATELY 40 - 50 % COOLING OR HEATING AIRFLOW										
COOLING-LOW	2	CFM	1567	1526	1487	1445	1401	1358	1312	1270	1218	1169	—
		WATTS	308	320	330	339	352	360	375	384	402	413.9	—
COOLING-HIGH	3	CFM	1745	1706	1672	1632	1593	1552	1512	1473	1433	1390	—
		WATTS	422	434	444	457	468	480	493	505	520	534	—
HEAT-LOW	4	CFM	1126	1052	985	918	845	762	677	584	—	—	—
		WATTS	117	127	136	146	156	168	180	189	—	—	—
HEAT-HIGH	5	CFM	—	1210	1154	1100	1048	994	930	862	802	—	—
		WATTS	—	177	186	196	206	217	228	240	250	—	—
4YCC4048A1090A			EXTERNAL STATIC PRESSURE (IN. WG)										
CONSTANT CIRCULATION	1	CFM	APPROXIMATELY 40 - 50 % COOLING OR HEATING AIRFLOW										
		WATTS	APPROXIMATELY 40 - 50 % COOLING OR HEATING AIRFLOW										
COOLING-LOW	2	CFM	1567	1526	1487	1445	1401	1358	1312	1270	1218	1169	—
		WATTS	308	320	330	339	352	360	375	384	402	413.9	—
COOLING-HIGH	3	CFM	1745	1706	1672	1632	1593	1552	1512	1473	1433	1390	—
		WATTS	422	434	444	457	468	480	493	505	520	534	—
HEAT-LOW	4	CFM	1426	1387	1348	1301	1255	1210	1166	1120	1074	1020	966
		WATTS	241	251	260	270	281	292	303	314	325	335	349
HEAT-HIGH	5	CFM	1567	1531	1491	1450	1408	1370	1326	1282	1239	1201	1152
		WATTS	315	325	337	347	358	368	381	394	405	417	430



Indoor Fan Performance

Table 11. Horizontal Airflow

4YCC4060A1090A			EXTERNAL STATIC PRESSURE (IN. WG)										
MOTOR SPEED	Tap Number		0	0.1	0.2	0.3	0.4	0.5	0.6	0.7	0.8	0.9	1
CONSTANT CIRCULATION	1	CFM	APPROXIMATELY 40 - 50 % COOLING OR HEATING AIRFLOW										
		WATTS											
COOLING-LOW	2	CFM	1857	1831	1800	1766	1737	1692	1655	1617	—	—	—
		WATTS	515	523	533	544	554	569	582	595	—	—	—
COOLING-HIGH	3	CFM	2083	2058	2032	2003	1974	1943	1911	1877	1843	1807	—
		WATTS	749	759	769	779	788	803	816	830	845	860	—
HEAT-LOW	4	CFM	1534	1489	1445	1403	1361	1314	1275	1234	—	—	—
		WATTS	281	292	304	314	325	337	348	358	—	—	—
HEAT-HIGH	5	CFM	—	1594	1551	1511	1471	1430	1386	1344	1305	1265	—
		WATTS	—	348	361	373	384	396	409	420	432	443	—
4YCC4060A1115A			EXTERNAL STATIC PRESSURE (IN. WG)										
CONSTANT CIRCULATION	1	CFM	APPROXIMATELY 40 - 50 % COOLING OR HEATING AIRFLOW										
		WATTS											
COOLING-LOW	2	CFM	1857	1831	1800	1766	1737	1692	1655	1617	—	—	—
		WATTS	515	523	533	544	554	569	582	595	—	—	—
COOLING-HIGH	3	CFM	2083	2058	2032	2003	1974	1943	1911	1877	1843	1807	—
		WATTS	749	759	769	779	788	803	816	830	845	860	—
HEAT-LOW	4	CFM	1827	1792	1757	1721	1685	1646	1605	1570	—	—	—
		WATTS	492	505	517	529	541	553	566	577	—	—	—
HEAT-HIGH	5	CFM	—	1927	1894	1861	1824	1788	1750	1711	1674	1639	—
		WATTS	—	614	627	639	651	664	677	689	702	715	—

Table 12. Down Airflow

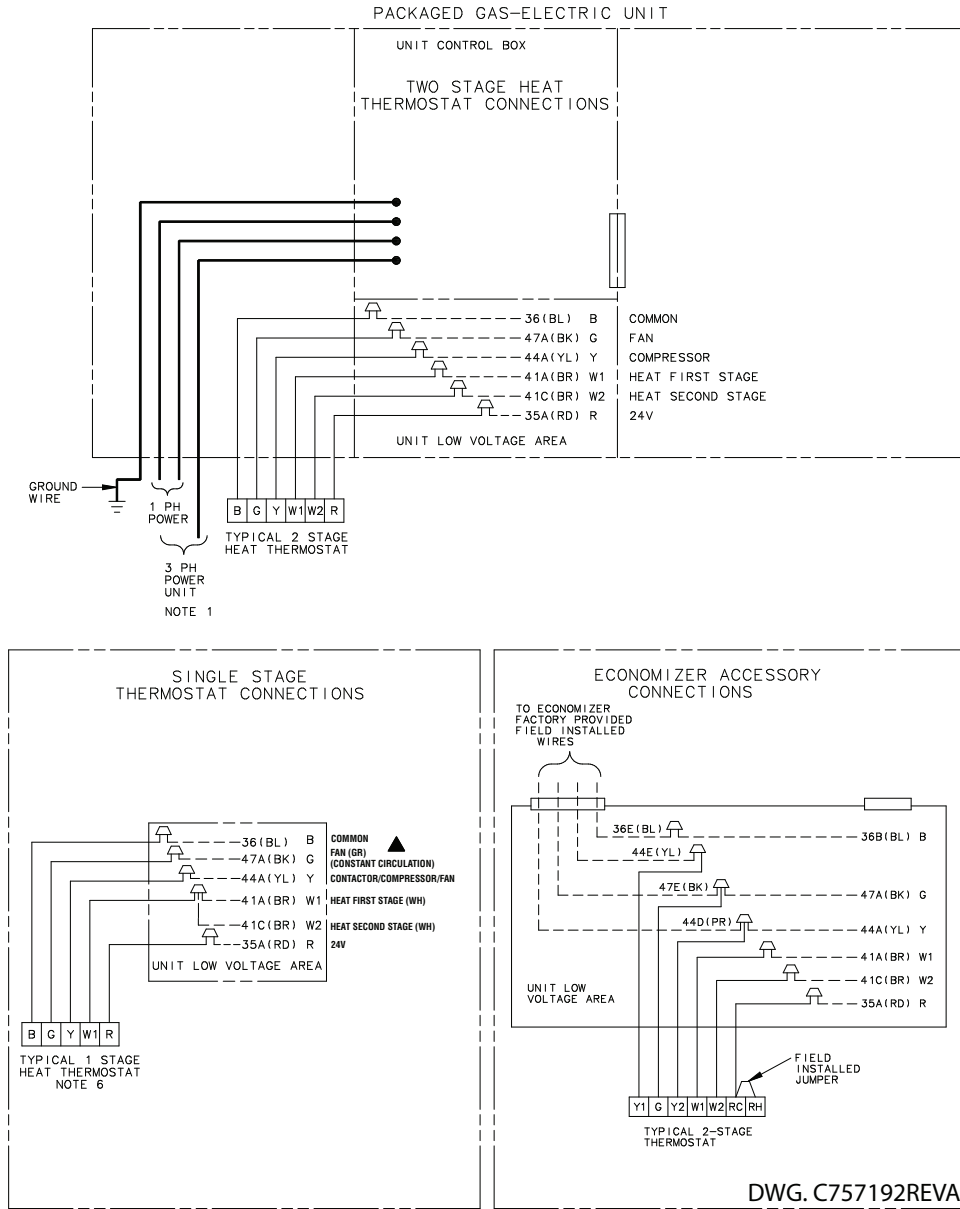
4YCC4060A1090A			EXTERNAL STATIC PRESSURE (IN. WG)										
MOTOR SPEED	Tap Number		0	0.1	0.2	0.3	0.4	0.5	0.6	0.7	0.8	0.9	1
CONSTANT CIRCULATION	1	CFM	APPROXIMATELY 40 - 50 % COOLING OR HEATING AIRFLOW										
		WATTS											
COOLING-LOW	2	CFM	1857	1831	1800	1766	1737	1692	1655	1617	—	—	—
		WATTS	515	523	533	544	554	569	582	595	—	—	—
COOLING-HIGH	3	CFM	2083	2058	2032	2003	1974	1943	1911	1877	1843	1807	—
		WATTS	749	759	769	779	788	803	816	830	845	860	—
HEAT-LOW	4	CFM	1541	1497	1452	1410	1367	1321	1281	1240	—	—	—
		WATTS	282	293	305	316	327	339	349	360	—	—	—
HEAT-HIGH	5	CFM	—	1602	1558	1518	1478	1437	1392	1351	1311	1271	—
		WATTS	—	350	363	374	386	398	411	423	434	445	—
4YCC4060A1115A			EXTERNAL STATIC PRESSURE (IN. WG)										
CONSTANT CIRCULATION	1	CFM	APPROXIMATELY 40 - 50 % COOLING OR HEATING AIRFLOW										
		WATTS											

Table 12. Down Airflow (continued)

COOLING-LOW	2	CFM	1857	1831	1800	1766	1737	1692	1655	1617	—	—	—
		WATTS	515	523	533	544	554	569	582	595	—	—	—
COOLING-HIGH	3	CFM	2083	2058	2032	2003	1974	1943	1911	1877	1843	1807	—
		WATTS	749	759	769	779	788	803	816	830	845	860	—
HEAT-LOW	4	CFM	1815	1790	1757	1712	1679	1648	1613	1574	—	—	—
		WATTS	510	520	532	549	560	570	582	596	—	—	—
HEAT-HIGH	5	CFM	—	1910	1875	1839	1803	1773	1736	1704	1661	1622	—
		WATTS	—	630	634	647	660	672	685	698	712	726	—

Field Wiring Diagram

Figure 1. 4YCC4 – Field Wiring Diagram



- Notes:
1. FUSED DISCONNECT SIZE, POWER WIRING AND GROUNDING OF EQUIPMENT MUST COMPLY WITH CODES.
 2. BE SURE POWER SUPPLY AGREES WITH EQUIPMENT AND HEATER NAMEPLATE.
 3. LOW VOLTAGE WIRING TO BE 18 AWG MINIMUM CONDUCTOR.
 4. SEE UNIT DIAGRAM FOR ELECTRICAL CONNECTION DETAILS.
 - ▲ 5. THE GAS ELECTRIC UNIT WILL PROVIDE CONSTANT CIRCULATION REGARDLESS OF COOLING OR HEATING STATUS WITH A 'G' SIGNAL ONLY FROM THE THERMOSTAT.
 6. FOR SINGLE STAGE THERMOSTATS, JUMPER W1 AND W2 TOGETHER. SECOND STAGE HEAT WILL BEGIN 10 MINUTES AFTER FIRST STAGE.

INTER-COMPONENT WIRING

----- 24V. LINE V. } FACTORY WIRING

----- 24V. LINE V. } FIELD WIRING

WIRE ABBR	COLOR	DESIGNATION ABBR	COLOR
BK	BLACK	PR	PURPLE
BL	BLUE	RD	RED
BR	BROWN	WH	WHITE
GR	GREEN	YL	YELLOW
OR	ORANGE		

Wiring – 4YCC4

Figure 2. 4YCC4024-042

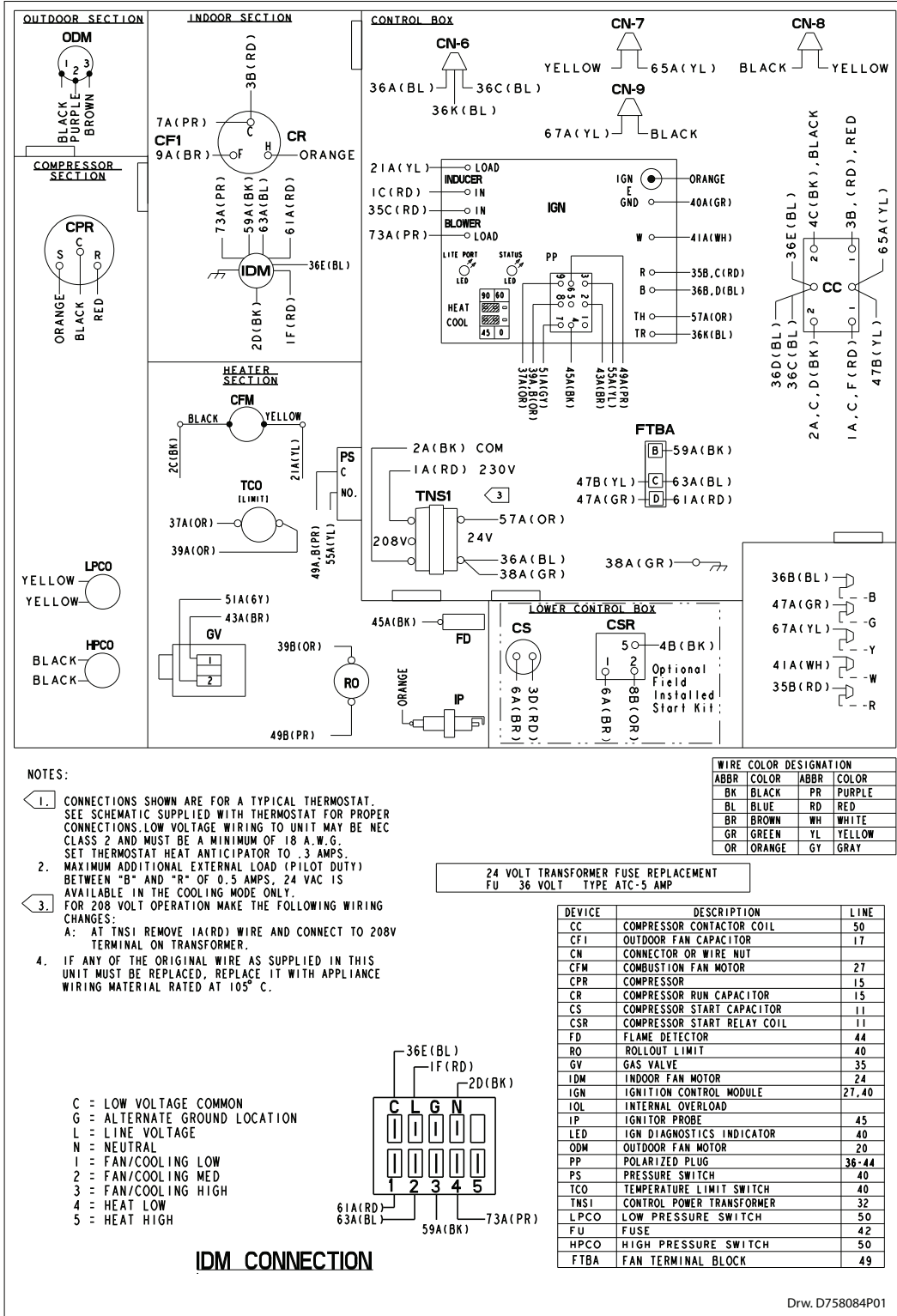


Figure 3. 4YCC4024-042

CAUTION-NOT SUITABLE FOR USE ON SYSTEMS EXCEEDING 150 VOLTS TO GROUND.
ATTENTION: NE CONVIENT PAS POUR LES INSTALLATIONS DE PLUS DE 150V. A TERRE.

UNIT FACTORY WIRED FOR 230V
SEE WIRING DIAGRAM NOTES FOR REQUIRED WIRING CHANGES WHEN INSTALLED ON A 208V POWER SUPPLY.

MODELS
4YCC4024A*
4YCC4030A*
4YCC4036A*
4YCC4042A*

WARNING
HAZARDOUS VOLTAGE!
DISCONNECT ALL ELECTRIC POWER INCLUDING REMOTE DISCONNECTS BEFORE SERVICING.
FAILURE TO DISCONNECT POWER SUPPLY BEFORE SERVICING CAN CAUSE SEVERE PERSONAL INJURY OR DEATH.

AVERTISSEMENT
VOLTAGE HASARDEUX!
DECONNECTEZ TOUTES LES SOURCES ELECTRIQUES INCLUANT LES DISJONCTEURS SITUES A DISTANCE AVANT D'EFFECTUER L'ENTRETIEN. FAUTE DE DECONNECTER LA SOURCE ELECTRIQUE AVANT D'EFFECTUER L'ENTRETIEN PEUT ENTRAINER DES BLESSURES CORPORELLES SEVERES OU LA MORT.

CAUTION
USE COPPER CONDUCTORS ONLY!
UNIT TERMINALS ARE NOT DESIGNED TO ACCEPT OTHER TYPES OF CONDUCTORS.
FAILURE TO DO SO MAY CAUSE DAMAGE TO THE EQUIPMENT.

POWER SUPPLY PER LOCAL CODES
SEE NAMEPLATE FOR LINE VOLTAGE.

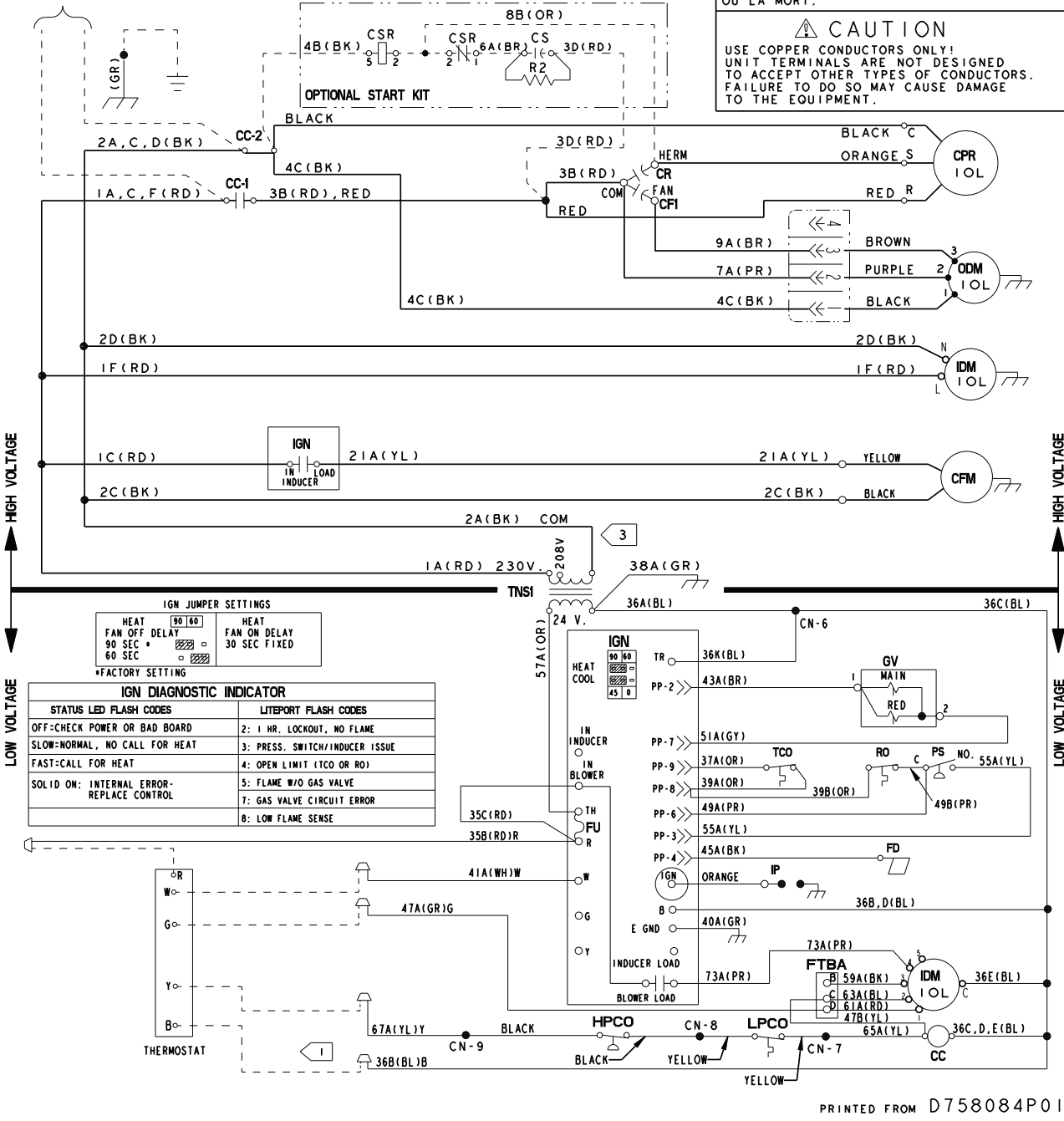
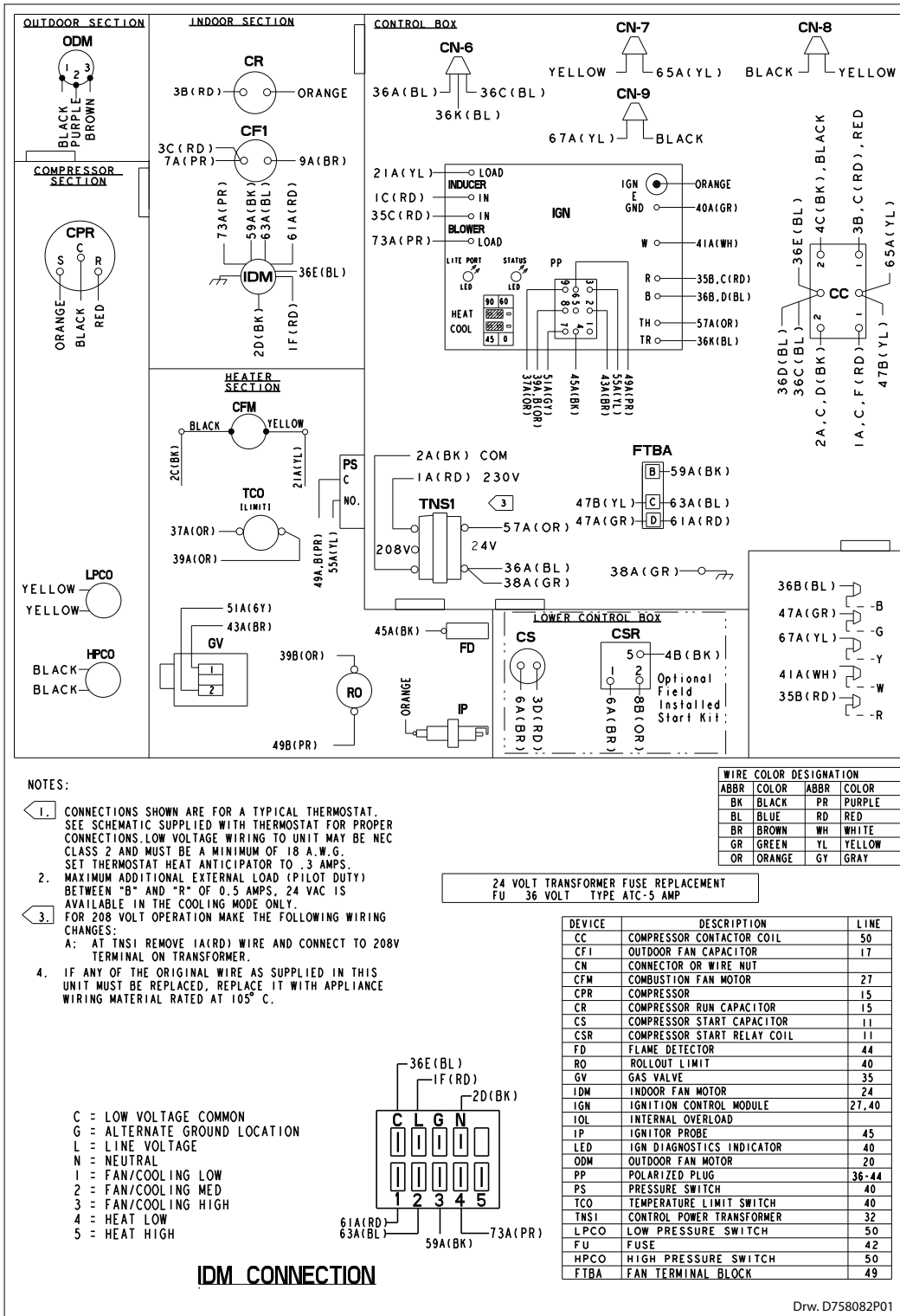


Figure 4. 4YCC4048



Drw. D758082P01

Figure 5. 4YCC4048

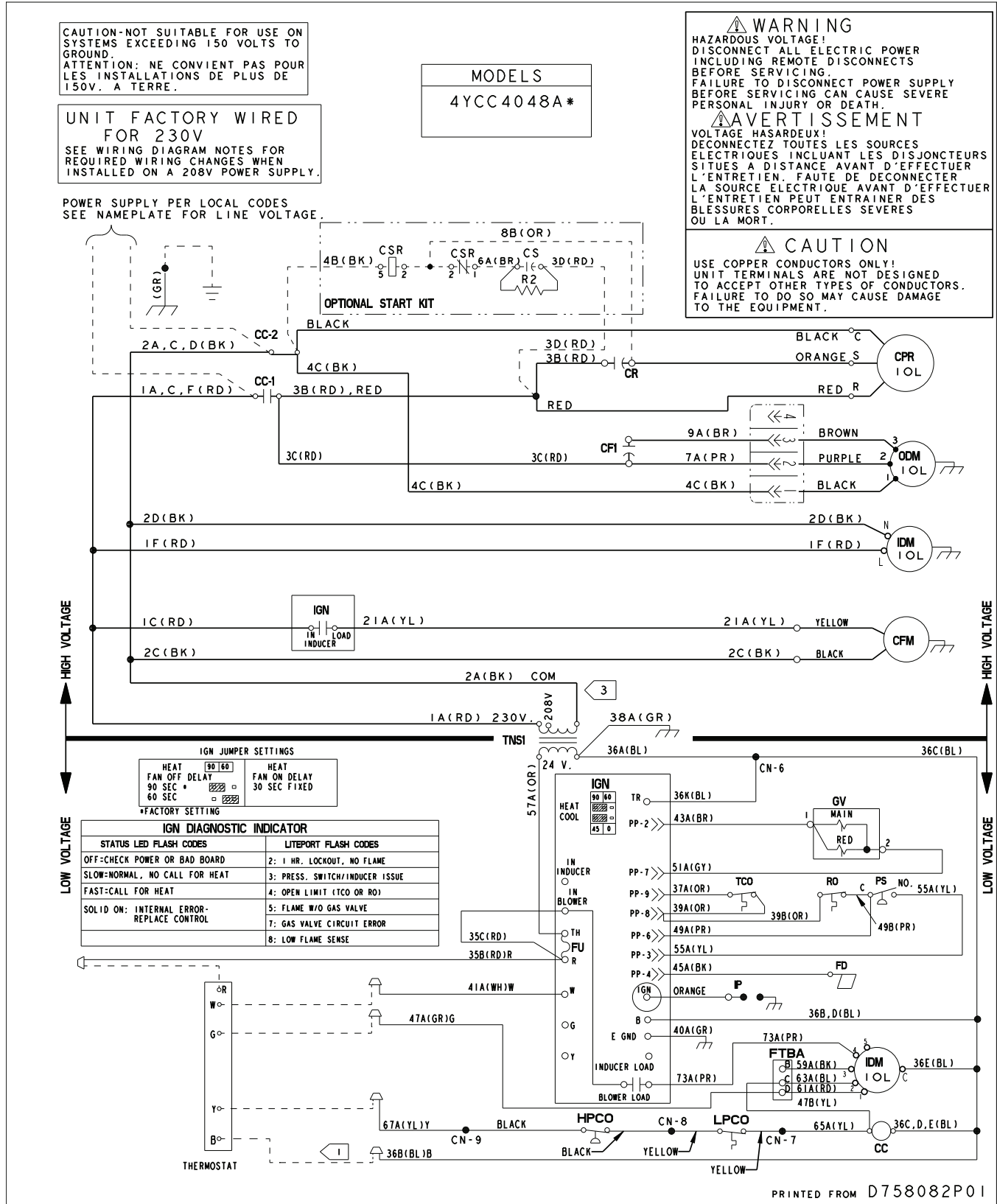
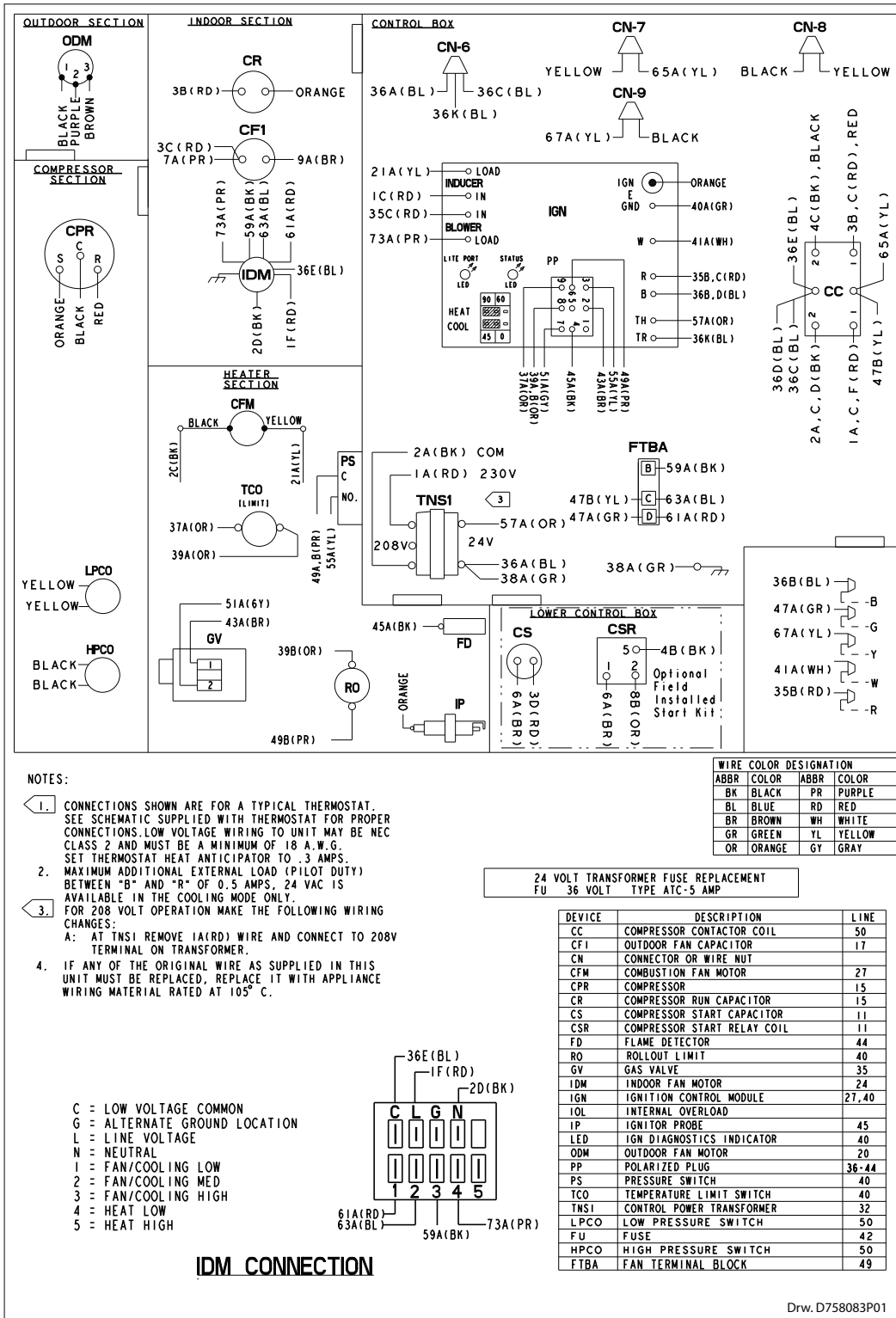


Figure 6. 4YCC4060



Draw. D758083P01

Figure 7. 4YCC4060

CAUTION-NOT SUITABLE FOR USE ON SYSTEMS EXCEEDING 150 VOLTS TO GROUND.
ATTENTION: NE CONVIENT PAS POUR LES INSTALLATIONS DE PLUS DE 150V. A TERRE.

UNIT FACTORY WIRED FOR 230V
SEE WIRING DIAGRAM NOTES FOR REQUIRED WIRING CHANGES WHEN INSTALLED ON A 208V POWER SUPPLY.

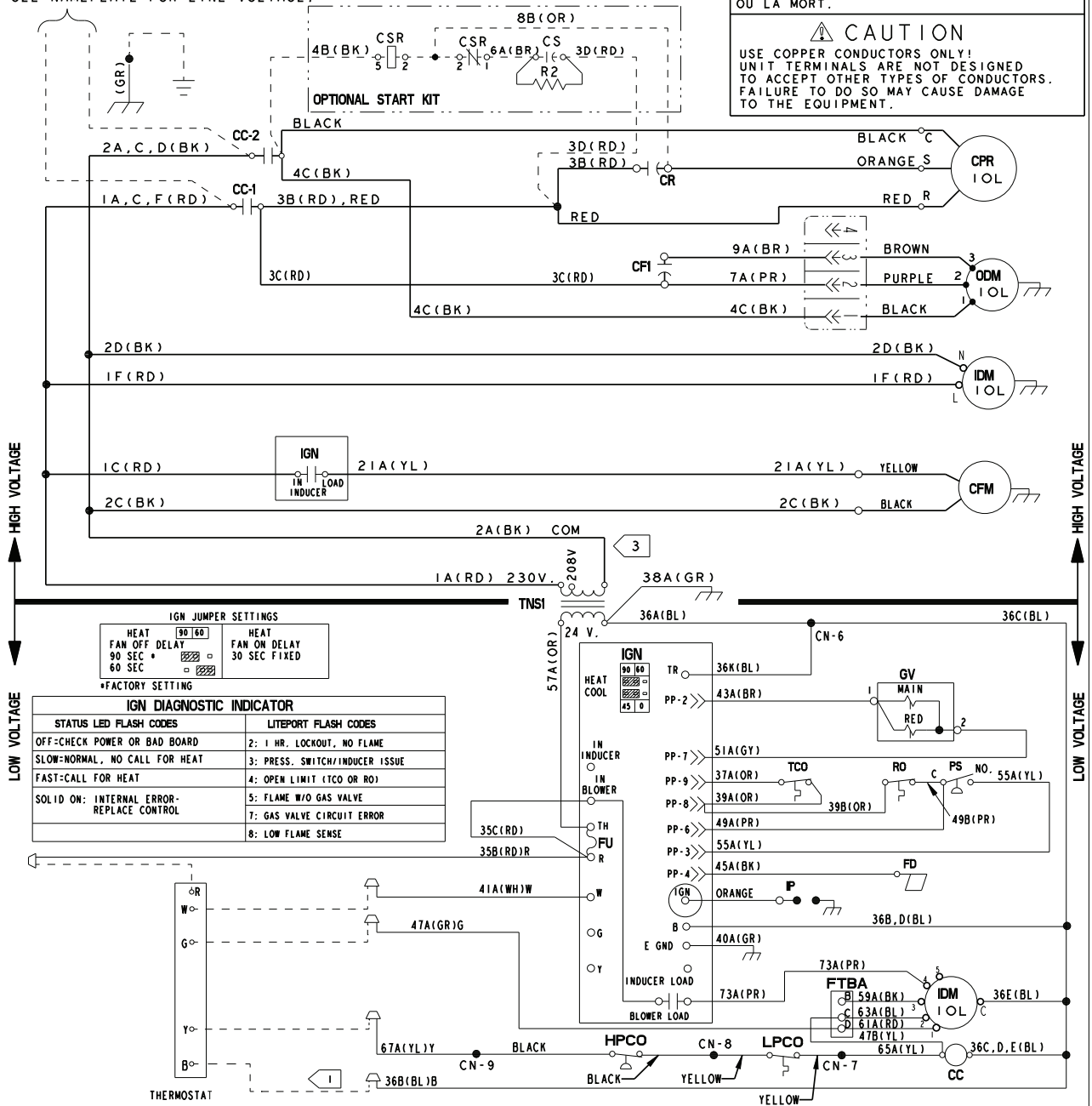
POWER SUPPLY PER LOCAL CODES
SEE NAMEPLATE FOR LINE VOLTAGE.

MODELS
4YCC4060A*

WARNING
HAZARDOUS VOLTAGE!
DISCONNECT ALL ELECTRIC POWER INCLUDING REMOTE DISCONNECTS BEFORE SERVICING.
FAILURE TO DISCONNECT POWER SUPPLY BEFORE SERVICING CAN CAUSE SEVERE PERSONAL INJURY OR DEATH.

AVERTISSEMENT
VOLTAGE HASARDEUX!
DECONNECTEZ TOUTES LES SOURCES ELECTRIQUES INCLUANT LES DISJONCTEURS SITUES A DISTANCE AVANT D'EFFECTUER L'ENTRETIEN. FAUTE DE DECONNECTER LA SOURCE ELECTRIQUE AVANT D'EFFECTUER L'ENTRETIEN PEUT ENTRAÎNER DES BLESSURES CORPORELLES SEVERES OU LA MORT.

CAUTION
USE COPPER CONDUCTORS ONLY!
UNIT TERMINALS ARE NOT DESIGNED TO ACCEPT OTHER TYPES OF CONDUCTORS.
FAILURE TO DO SO MAY CAUSE DAMAGE TO THE EQUIPMENT.



IGN JUMPER SETTINGS

HEAT FAN OFF DELAY 90 SEC *	HEAT FAN ON DELAY 30 SEC FIXED
90 SEC *	30 SEC FIXED
60 SEC	

*FACTORY SETTING

IGN DIAGNOSTIC INDICATOR

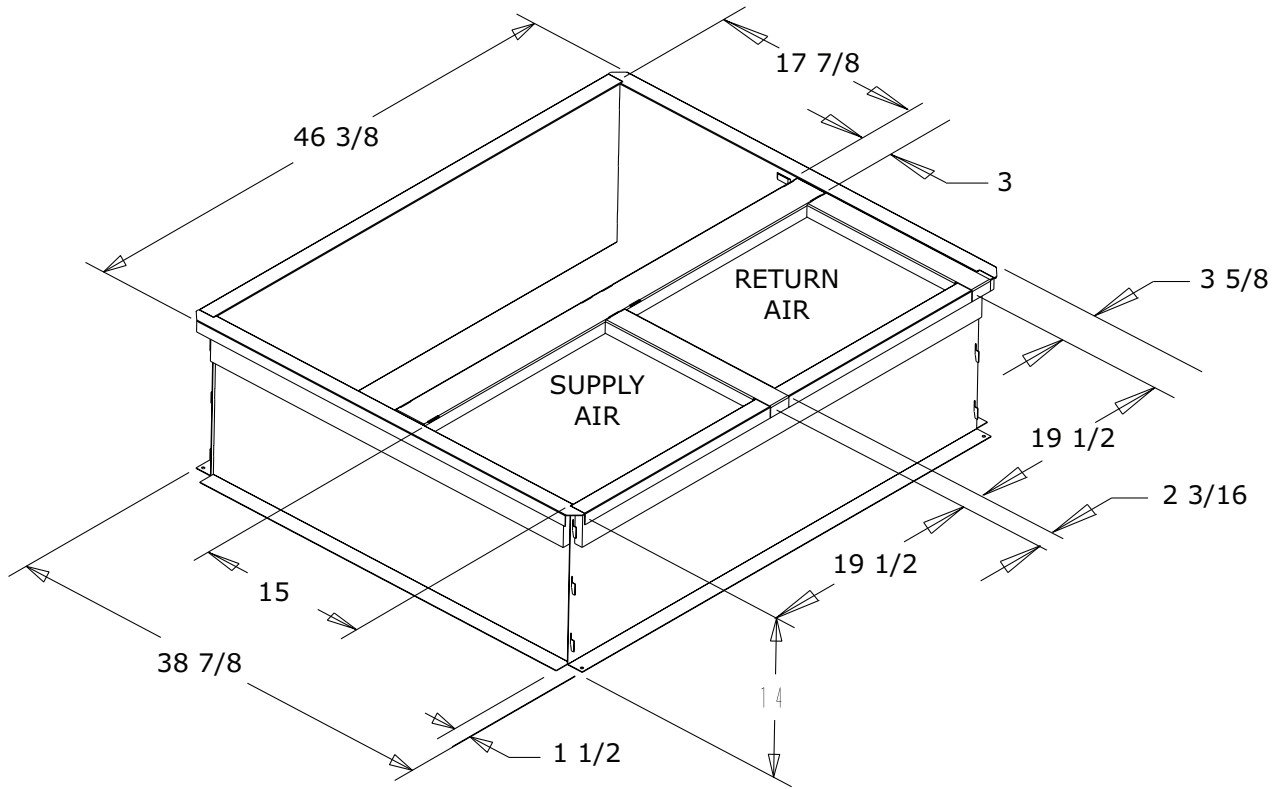
STATUS LED FLASH CODES	LITEPORT FLASH CODES
OFF-CHECK POWER OR BAD BOARD	2: 1 HR. LOCKOUT, NO FLAME
SLOW-NORMAL, NO CALL FOR HEAT	3: PRESS. SWITCH/INDUCER ISSUE
FAST-CALL FOR HEAT	4: OPEN LIMIT (TCO OR RO)
SOLID ON: INTERNAL ERROR-REPLACE CONTROL	5: FLAME W/O GAS VALVE
	7: GAS VALVE CIRCUIT ERROR
	8: LOW FLAME SENSE



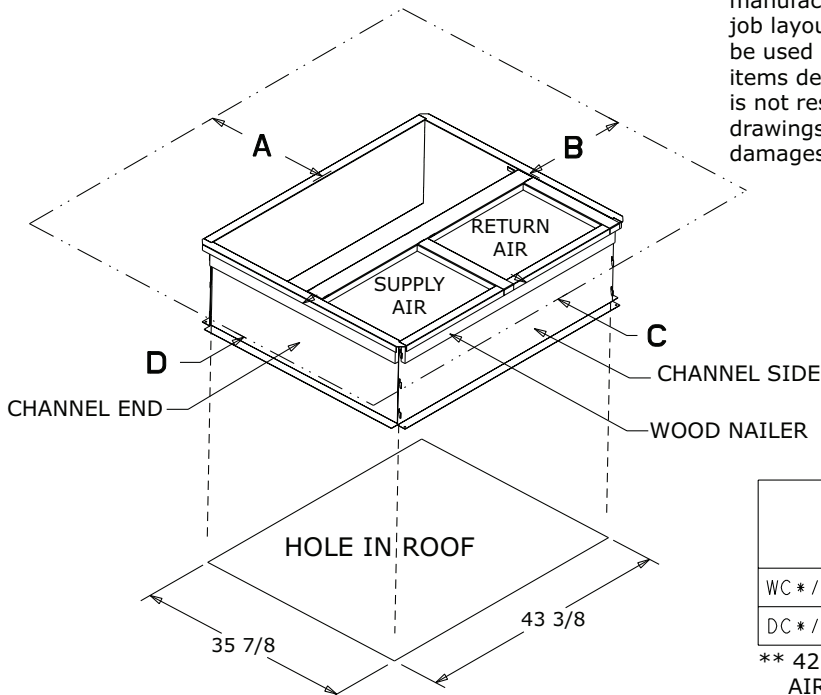
Full Perimeter Roof Mounting Curb

Figure 8. 2.0 – 3.0 Ton Models

BAYCURB050A Full Perimeter Roof Mounting Curb



The drawings on this page are prepared by the manufacturer in order to provide detail regarding job layout only. These drawings are not intended to be used as a basis to construct, build or modify the items depicted in the drawings. The manufacturer is not responsible for the unauthorized use of these drawings and expressly disclaims any liability for damages resulting from such unauthorized use.

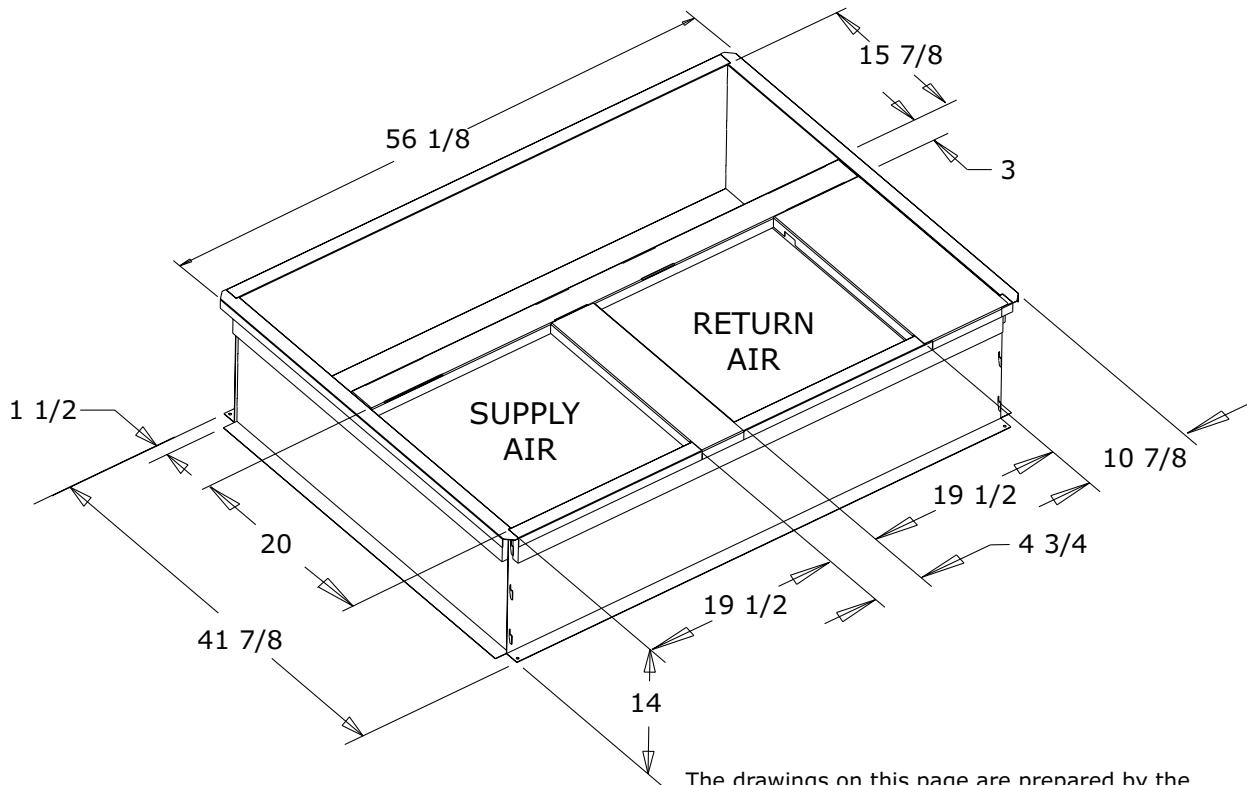


	SERVICE CLEARANCE DIMENSIONS			
	A	B	C	D
WC*/TC*	42.00	36.00	12.00**	24.00
DC*/YC*	42.00	36.00	12.00**	36.00

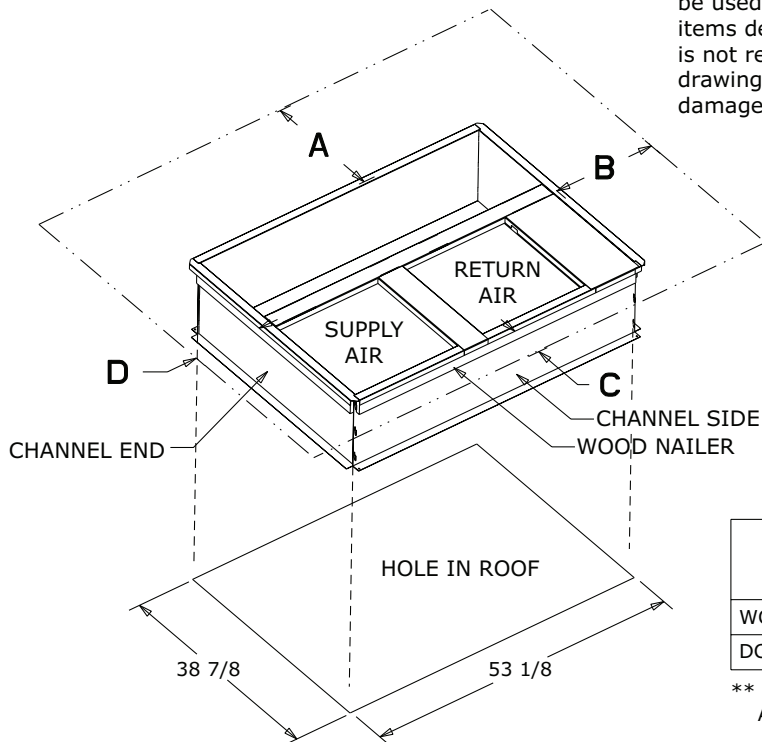
** 42.00 WITH ECONOMIZER WITH 25% FRESH AIR ACCESSORY

Figure 9. 3.5 – 5.0 Ton Models

BAYCURB051A Full Perimeter Roof Mounting Curb



The drawings on this page are prepared by the manufacturer in order to provide detail regarding job layout only. These drawings are not intended to be used as a basis to construct, build or modify the items depicted in the drawings. The manufacturer is not responsible for the unauthorized use of these drawings and expressly disclaims any liability for damages resulting from such unauthorized use.



	SERVICE CLEARANCE DIMENSIONS			
	A	B	C	D
WC*/TC*	42.00	36.00	12.00**	24.00
DC*/YC*	42.00	36.00	12.00**	36.00

** 42.00 WITH ECONOMIZER WITH 25% FRESH AIR ACCESSORY

Optional Equipment – Economizer

Table 13. BAYECON101,102A Down Discharge Economizer and Rain Hood (Mounts Over Horizontal Return Air Opening)

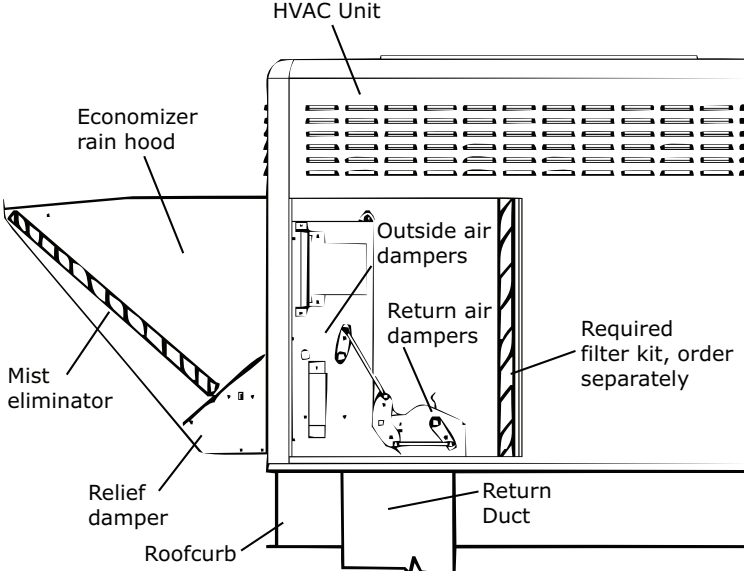
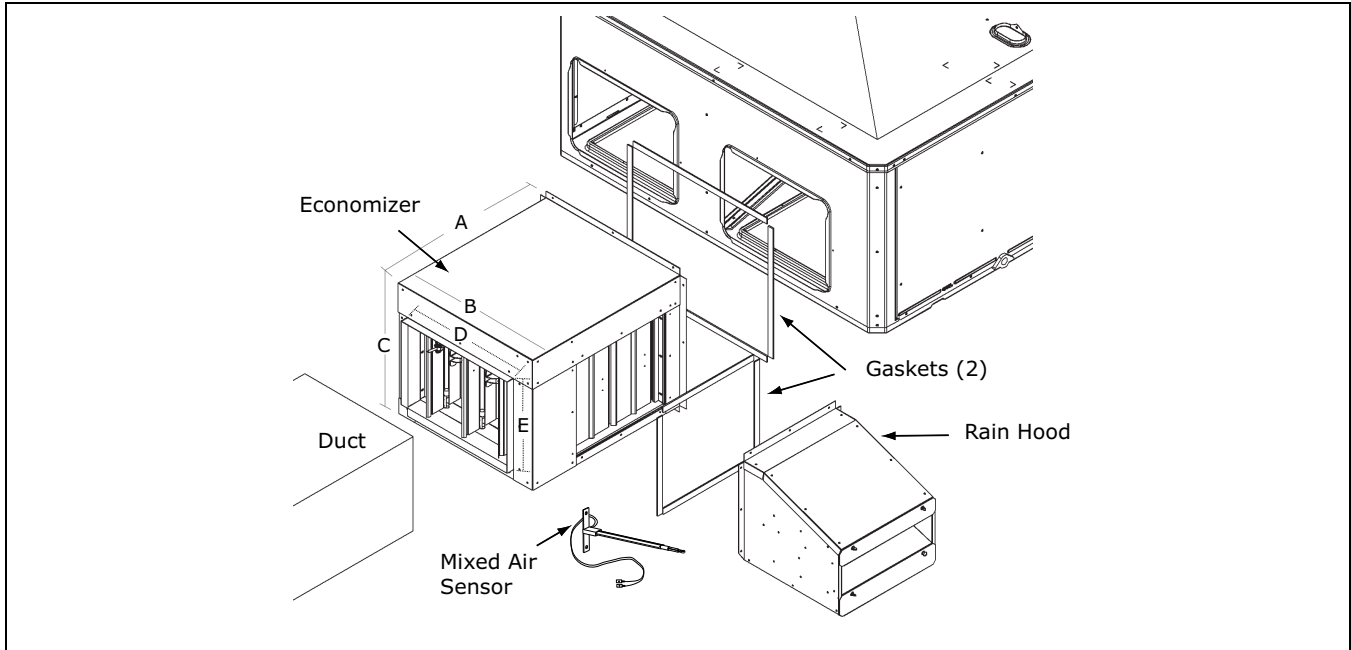
	Economizer	Unit Application Models
	BAYECON101A	2.0 – 3.0 Ton Models
	BAYECON102A	3.5 – 5.0 Ton Models

Table 14. BAYCON200, 201A Horizontal Economizer and Rain Hood



Economizer	Models	A	B	C	D	E	F
BAYECON200A	2.0 – 3.0 Ton	22"	20"	16-7/8"	15-11/16"	11-11/16"	15"
BAYECON201A	3.5 – 5.0 Ton	26"	22-21/32"	19"	17-11/16"	14-11/16"	21-3/8"

Note: The drawings on this page are prepared by the manufacturer in order to provide detail regarding job layout only. These drawings are not intended to be used as a basis to construct, build or modify the items depicted in the drawings. The manufacturer is not responsible for the unauthorized use of these drawings and expressly disclaims any liability for damages resulting from such unauthorized use.

Optional Equipment – Outside Air Damper

Table 15. BAYOSAH001 and 002A

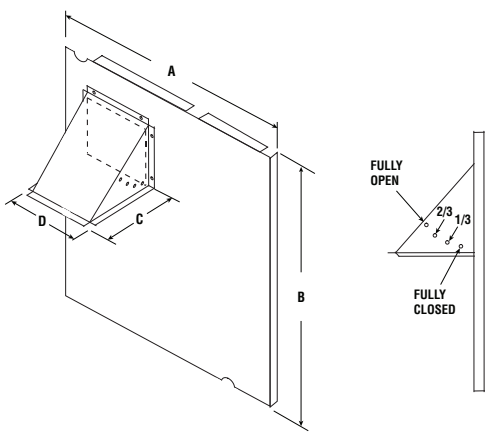
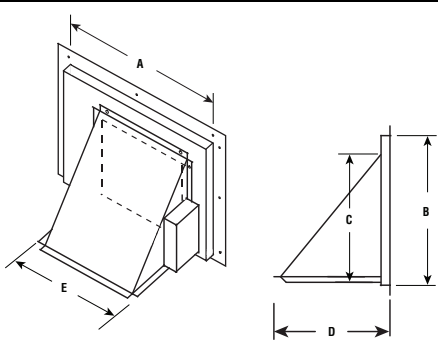
	Manual Fresh Air Model	Unit Application Models	A	B	C	D
	BAYOSAH001A	2.0 – 3.0 Ton	22-7/16"	20-11/16"	12-3/8"	9-3/16"
BAYOSAH002A	3.5 – 5.0 Ton	25-3/16"	20-11/16"	12-3/8"	9-3/16"	

Table 16. BAYDMPR101 and 102A, 25% Motorized Outside Air Damper (Mounts Over Horizontal Return Air Opening)

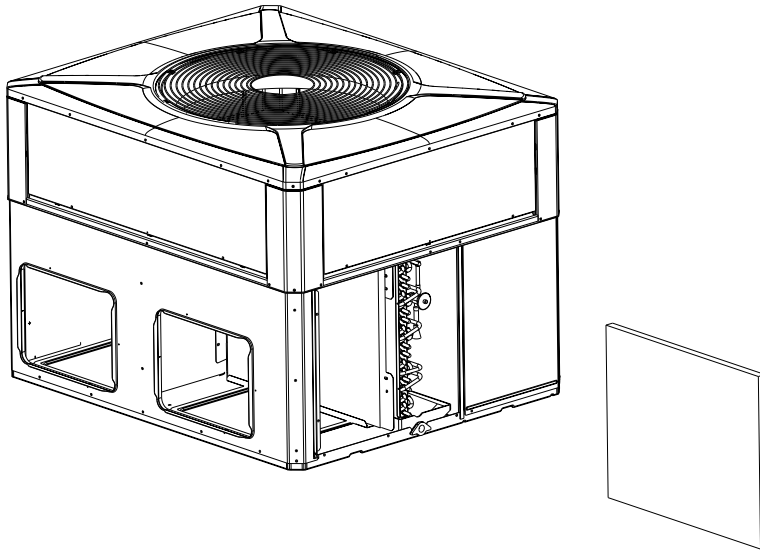
	Manual Fresh Air Model	Unit Application Models	A	B	C	D	E
	BAYDM-PR101A	2.0 – 3.0 Ton	15-13/16"	11-13/16"	10-1/4"	11-1/2"	12-1/4"
BAYDM-PR102A	3.5 – 5.0 Ton	18-3/16"	15-1/8"	10-1/4"	11-1/2"	12-1/4"	

Note: The drawings on this page are prepared by the manufacturer in order to provide detail regarding job layout only. These drawings are not intended to be used as a basis to construct, build or modify the items depicted in the drawings. The manufacturer is not responsible for the unauthorized use of these drawings and expressly disclaims any liability for damages resulting from such unauthorized use.

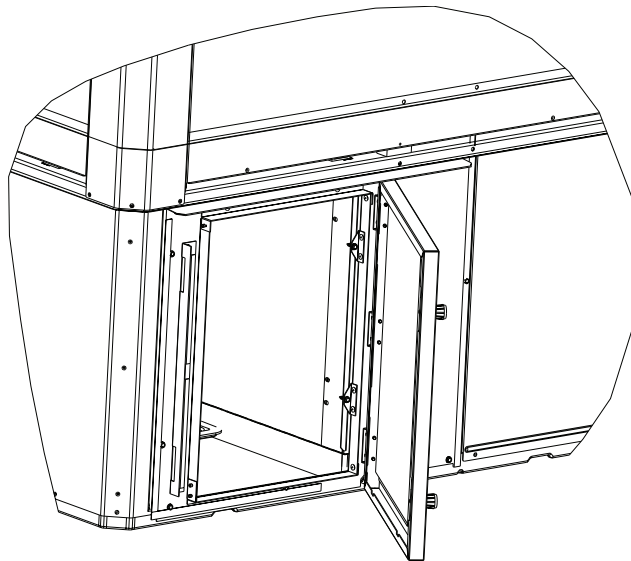


Optional Equipment — Filter Rack

**Figure 10. BAYFLTR101 Filter Rack (2.0 – 3.0 Ton Models)
BAYFLTR201 (3.5 – 5.0 Ton Models)
(Mounts in Filter/Coil Section)**



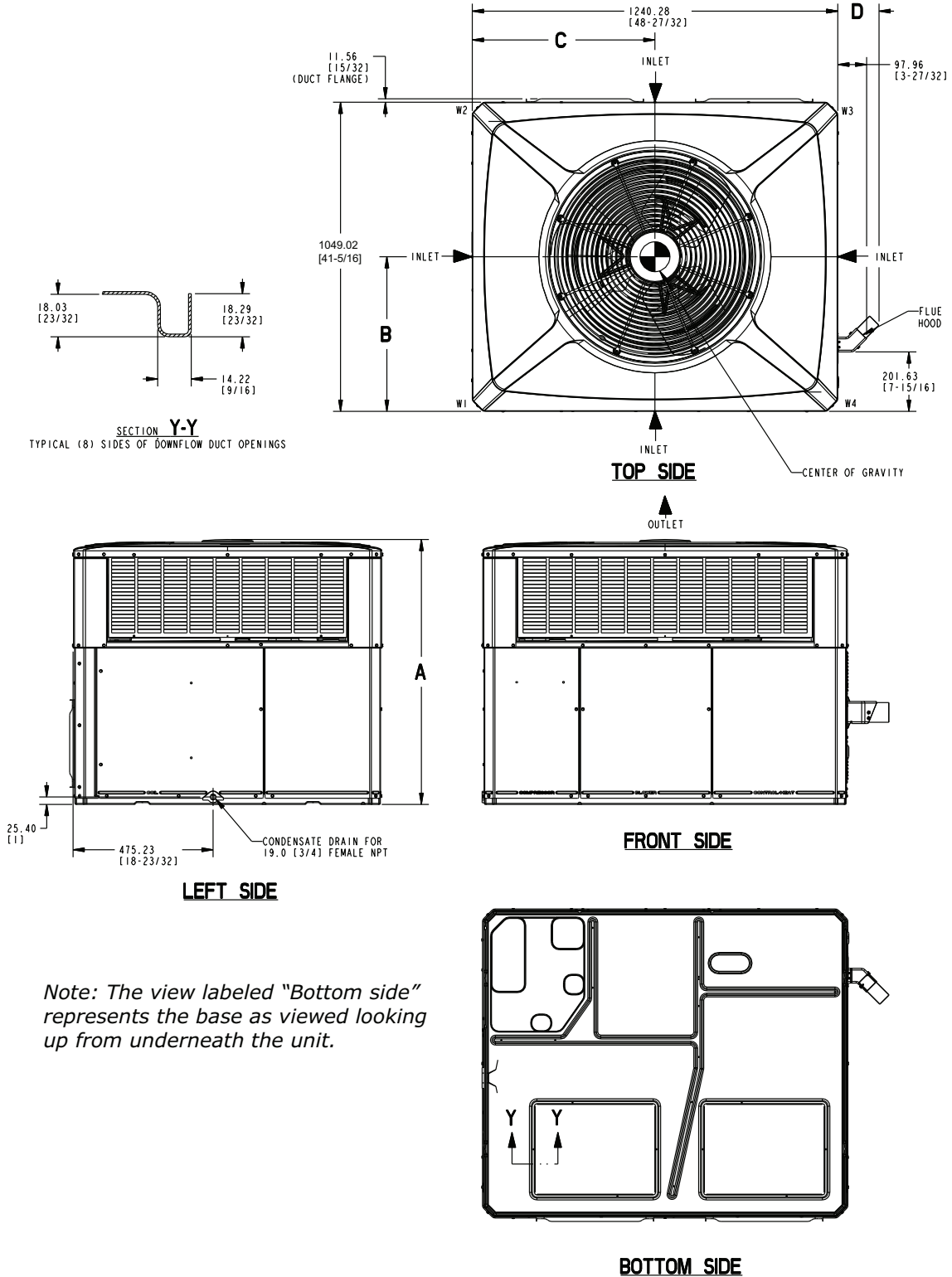
**Figure 11. BAYACCDOR1A Hinged Filter Access Door (2.0 – 3.0 Ton Models)
BAYACCDOR2A (3.5 – 5.0 Ton Models)
Replaces Filter/Coil Access Panel**



Note: The drawings on this page are prepared by the manufacturer in order to provide detail regarding job layout only. These drawings are not intended to be used as a basis to construct, build or modify the items depicted in the drawings. The manufacturer is not responsible for the unauthorized use of these drawings and expressly disclaims any liability for damages resulting from such unauthorized use.

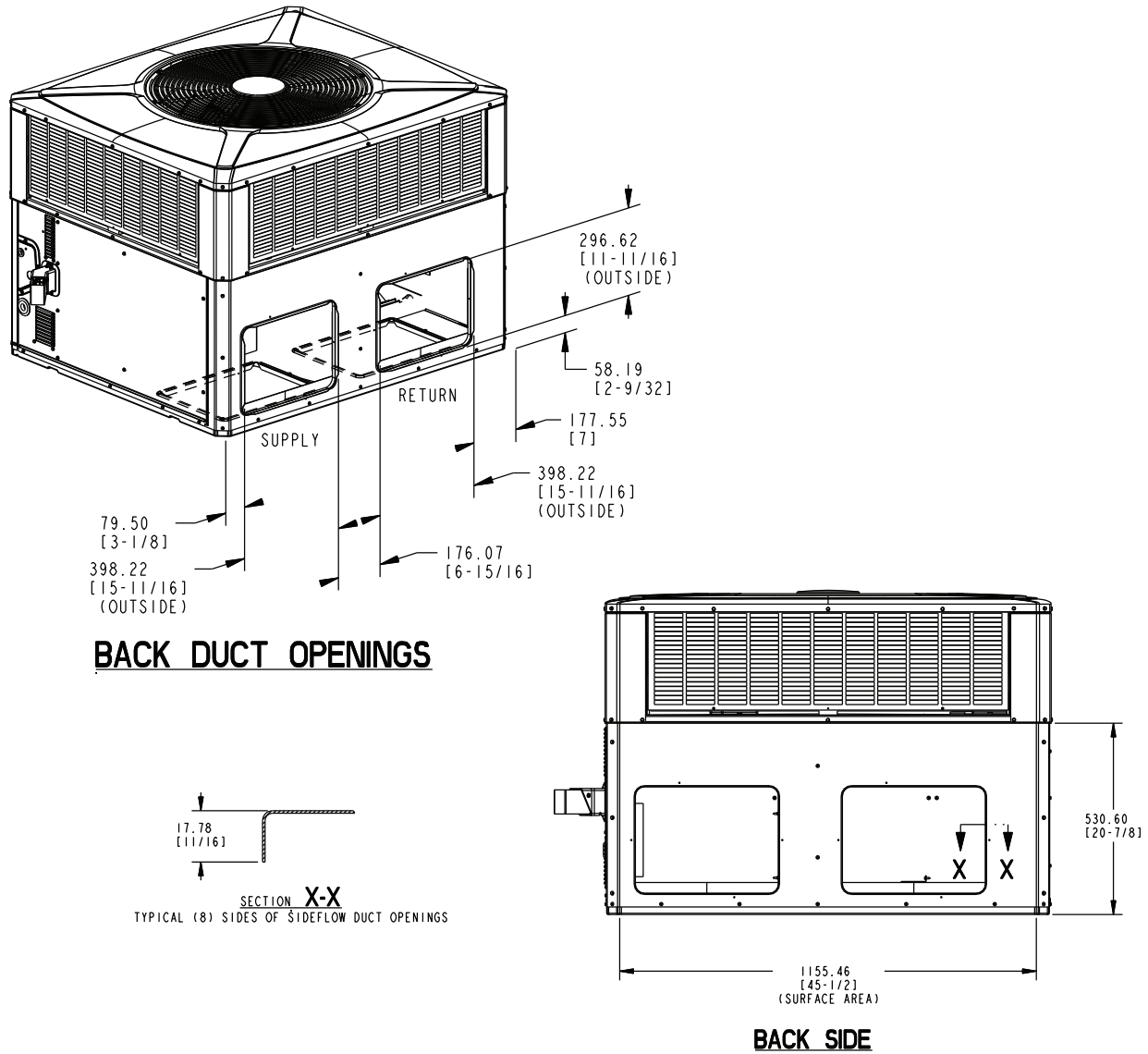
Outline Drawings

Figure 12. 4YCC4024-4036



Note: The view labeled "Bottom side" represents the base as viewed looking up from underneath the unit.

Figure 13. 4YCC4024-4036



	Flu Hood w/brkt mm/in		Approx. Corner Weight - kg / lbs				Shipping Weight kg/lbs	Total Unit Weight kg/lbs	Center of Gravity mm/in	
	A	D	W1	W2	W3	W4			B	C
4YCC4024 (060)	898.53 [35-3/8]	157.16 [6-3/16]	58.3 [129]	36.8 [81]	26.1 [58]	41.0 [90]	196.1 [432]	162.4 [358]	479.8 [18.9]	527.8 [20.8]
4YCC4030 (070)	898.53 [35-3/8]	157.16 [6-3/16]	61.3 [135]	38.7 [85]	27.5 [61]	43.1 [95]	204.8 [451]	171.1 [377]	406.5 [16.0]	594.1 [23.4]
4YCC4036 (070)	949.33 [37-3/8]	157.16 [6-3/16]	61.1 [134]	38.3 [84]	27.1 [60]	43.2 [95]	203.4 [438]	169.7 [374]	414.3 [16.3]	697.6 [27.5]
4YCC4036 (090)	949.53 [37-3/8]	157.16 [6-3/16]	61.7 [136]	38.9 [86]	27.7 [61]	43.7 [96]	205.7 [453]	172.0 [379]	414.3 [16.3]	697.6 [27.5]

Figure 14. 4YCC4024-4036

RECOMMENDED SERVICE CLEARANCE MM/IN.		
		WITH ECONOMIZER
BACK SIDE	304.8 [12]	762.0 [30]
LEFT SIDE	762.0 [30]	914.4 [36]
RIGHT SIDE	914.4 [36]	-
FRONT SIDE	1066.8 [42]	-

CLEARANCE TO COMBUSTIBLE MATERIAL MM/IN.	
BOTTOM	0
BACK SIDE	25.4 [1]
LEFT SIDE	152.4 [6]
RIGHT SIDE	152.4 [6]
FRONT SIDE	304.8 [12]
TOP	914.4 [36]

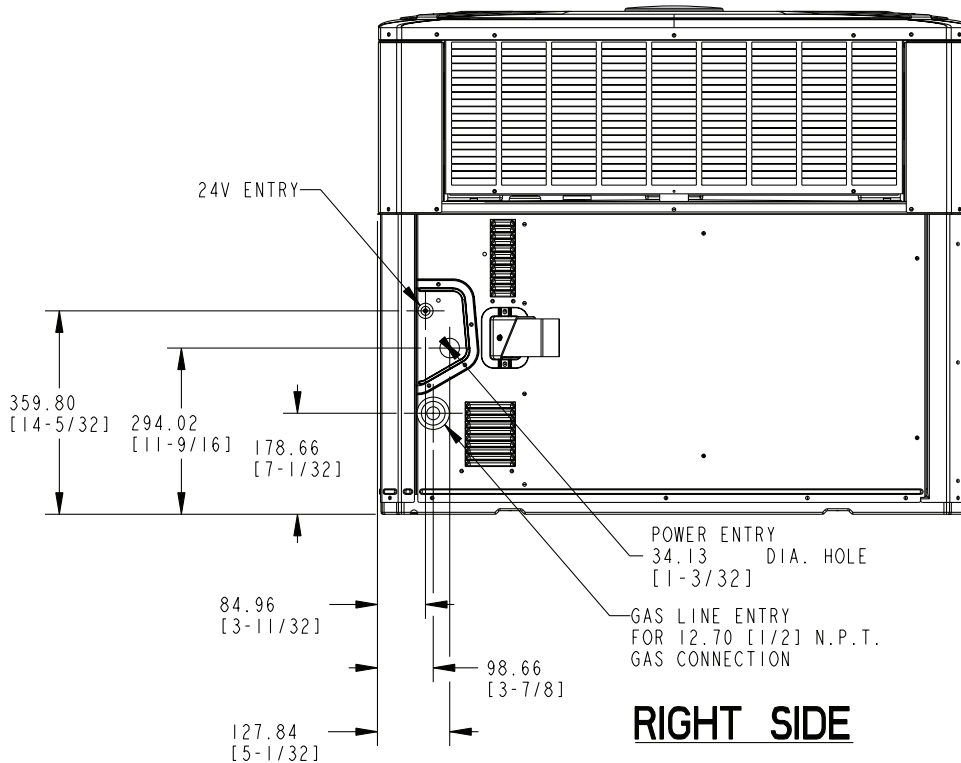
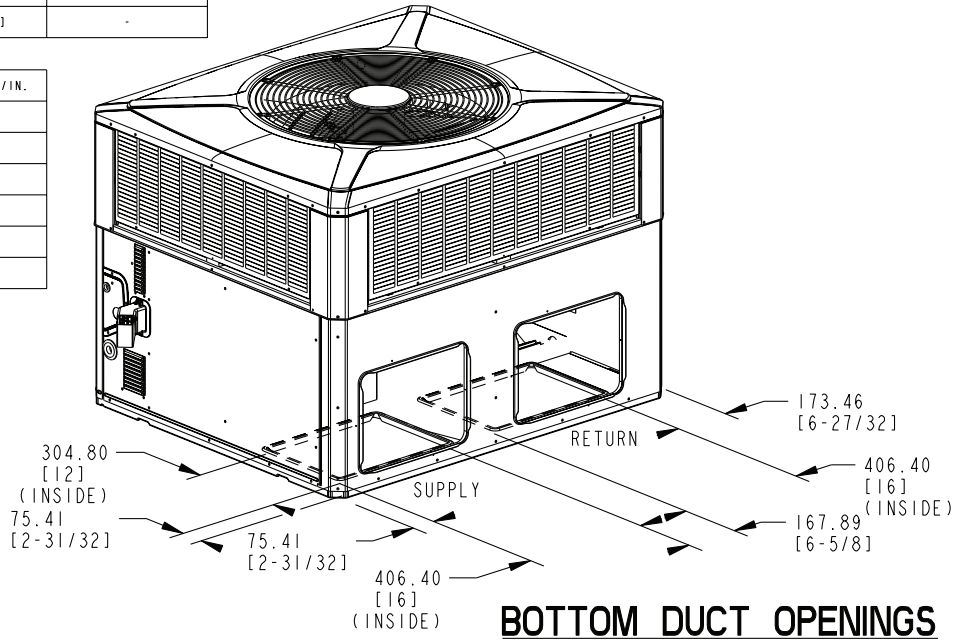


Figure 15. 4YCC4042-4060

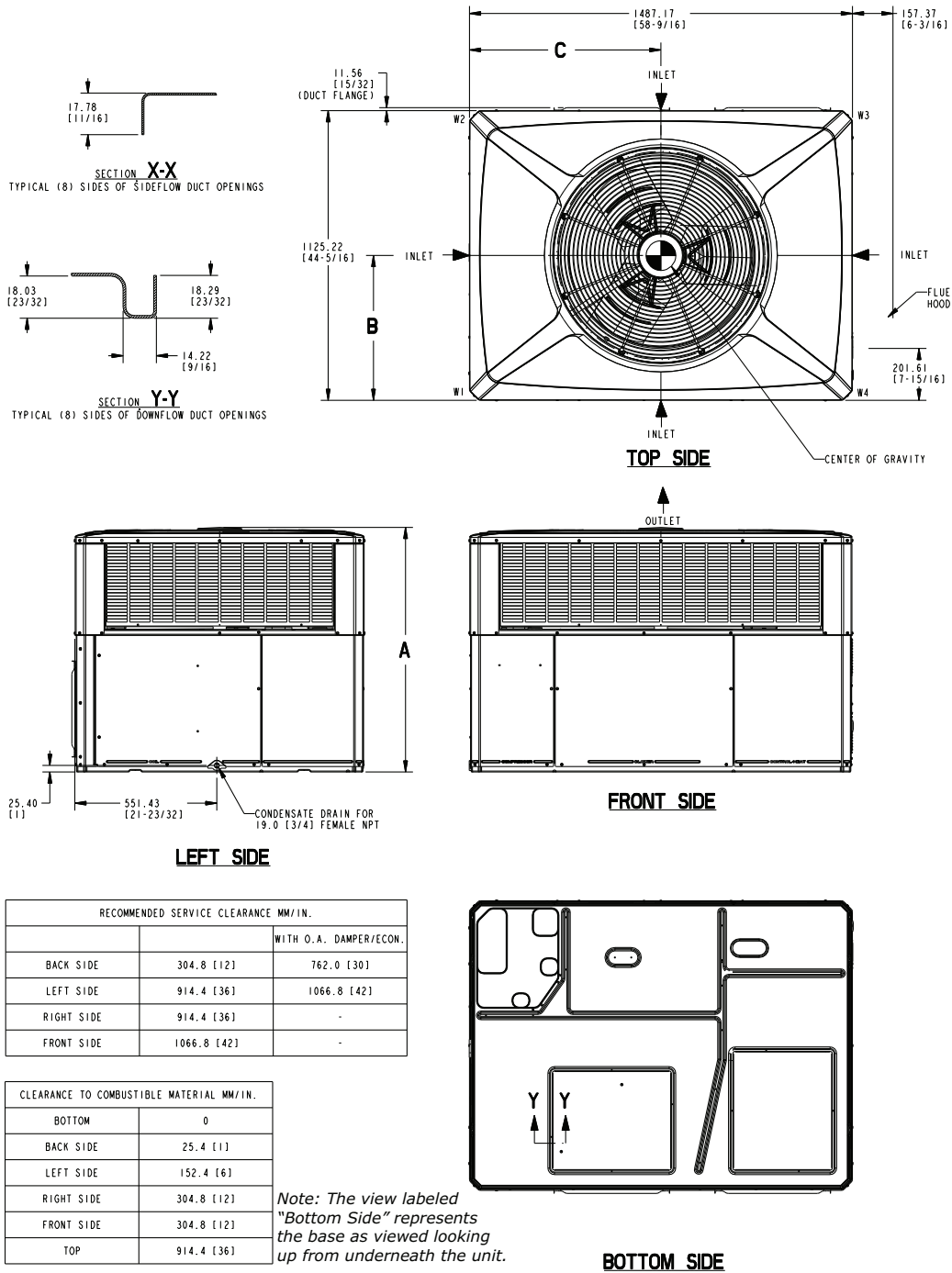
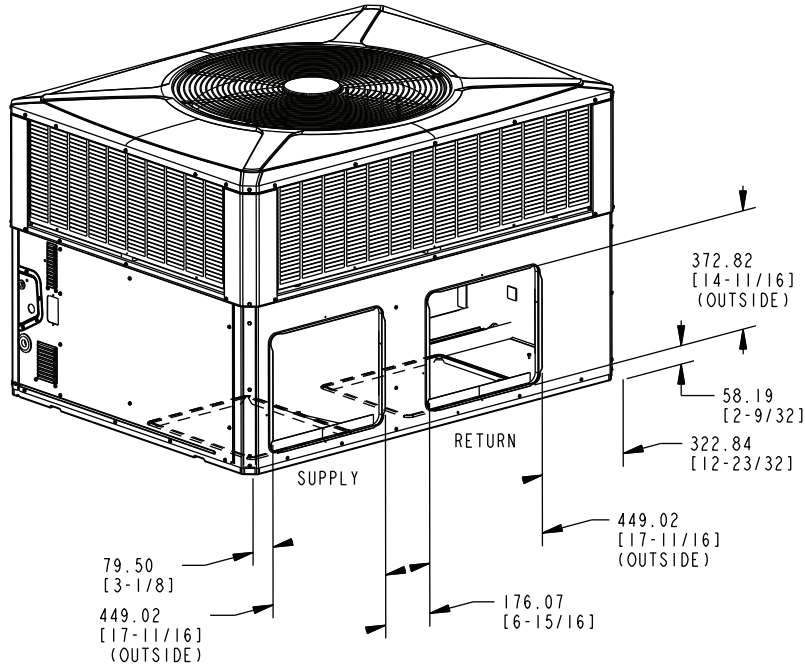
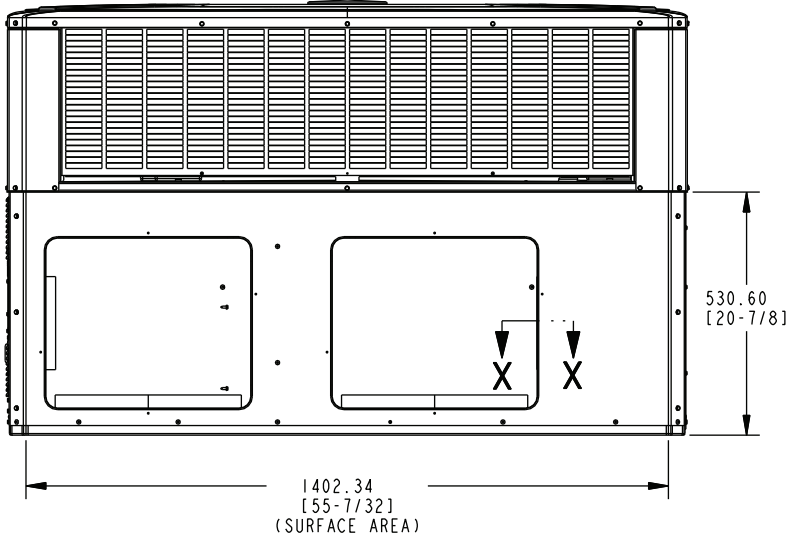


Figure 16. 4YCC4042-4060



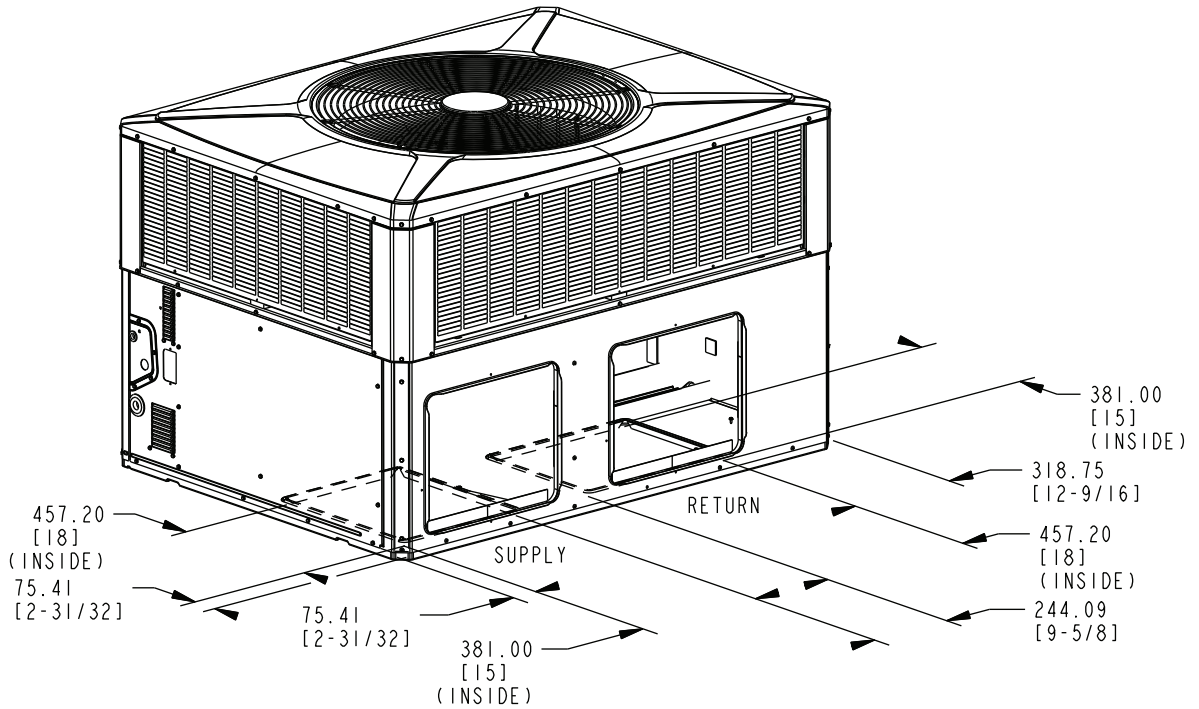
BACK DUCT OPENINGS



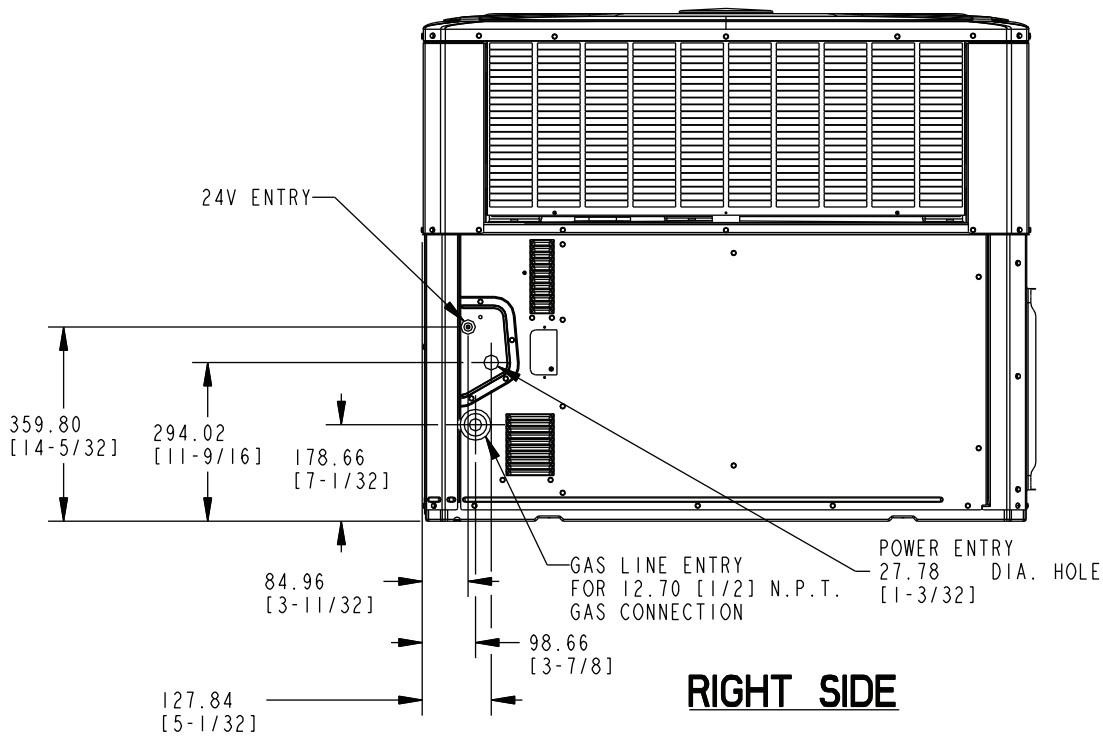
BACK SIDE

Model	Height mm/in	Approx. Corner Weight - kg / lbs				Shipping Weight kg/lbs	Total Unit Weight kg/lbs	Center of Gravity mm/in	
	A	W1	W2	W3	W4			B	C
4YCC4042 (060)	898.53 [35-3/8]	71.2 [157]	46.6 [103]	34.6 [76]	53.1 [117]	252.2 [555]	202.0 [452]	470.0 [18.5]	731.0 [28.8]
4YCC4042 (090)	898.53 [35-3/8]	71.8 [158]	47.2 [104]	35.2 [78]	53.6 [118]	254.5 [561]	207.3 [457]	470.0 [18.5]	731.0 [28.8]
4YCC4048 (070)	1000.13 [39-3/8]	71.4 [157]	44.6 [98]	33.2 [73]	53.9 [119]	250.3 [552]	202.1 [448]	433.0 [17.0]	743.3 [29.3]
4YCC4048 (090)	1000.13 [39-3/8]	72.0 [159]	45.0 [99]	33.8 [75]	54.4 [120]	252.6 [557]	205.4 [453]	433.0 [17.0]	743.3 [29.3]
4YCC4060 (090)	1000.13 [39-3/8]	77.1 [170]	45.8 [101]	34.4 [76]	58.3 [128]	263.1 [580]	215.9 [476]	433.0 [17.0]	743.3 [29.3]
4YCC4060 (115)	1000.13 [39-3/8]	78.0 [172]	46.3 [102]	34.9 [77]	59.0 [130]	265.8 [586]	218.6 [482]	414.0 [16.3]	635.0 [25.0]

Figure 17. 4YCC4042-4060



BOTTOM DUCT OPENINGS





Trane - by Trane Technologies (NYSE: TT), a global innovator - creates comfortable, energy efficient indoor environments for commercial and residential applications. For more information, please visit trane.com or tranetechnologies.com.



The AHRI Certified mark indicates Trane U.S. Inc. participation in the AHRI Certification program. For verification of individual certified products, go to ahridirectory.org.

Trane has a policy of continuous data improvement and it reserves the right to change design and specifications without notice. We are committed to using environmentally conscious print practices.