

Builder  
**Builder**  
Builder  
Size & Style Guide

**Effective Date: March 1, 2008**



 **SIMONTON**  
*Pro Finish*<sup>®</sup>  
New Construction Windows and Doors

**Stock Sizes**

Single Hung & Picture - Vinyl Stock Sizes .....2-3  
 Single Hung & Picture - Wood Stock Sizes .....4-5  
 Single Slider .....6  
 3-lite Slider.....6  
 Picture - Vinyl Stock Sizes .....7  
 Picture – Wood Stock Sizes .....8  
 Half-round - Vinyl Stock Sizes .....9  
 Half-round - Wood Stock Sizes .....9  
 Circle Stock Sizes .....9  
 Octagon Stock Sizes.....9  
 Quarter-round - Vinyl Stock Sizes.....9  
 Quarter-round - Wood Stock Sizes.....9

**Styles & Sizes**

Single Hung - Vinyl Stock Sizes..... 10  
 Single Hung - Wood Stock Sizes..... 11  
 Single Slider ..... 12  
 3-lite Slider..... 12  
 Picture - Vinyl Stock Sizes ..... 13  
 Geometrics ..... 13  
 Picture- Wood Stock Sizes ..... 14

**Standard Hardware Guide**

Single Hung - Vinyl Stock Sizes..... 15-16  
 Single Hung - Wood Stock Sizes..... 17-18  
 Single Slider ..... 18  
 3-lite Slider (1/3 - 1/3 – 1/3)..... 19  
 3-lite Slider (1/4 – 1/2 -1/4)..... 19

**Daylight Opening Information**

Single Hung - Vinyl Stock Sizes.....20-21  
 Single Hung - Wood Stock Sizes.....22  
 Single Slider .....23  
 End Vent Slider .....23  
 Picture - Vinyl Stock Sizes.....24-25  
 Picture - Wood Stock Sizes.....26-27

**Minimum and Maximum Sizes**

Builder Single Hung .....28  
 Builder Single Hung Oriel.....28  
 Builder Picture .....28  
 Builder Slider .....29  
 Builder 3-lite Slider (1/3–1/3–1/3) .....29  
 Builder 3-lite Slider (1/4–1/2–1/3) .....29



**Architectural Details**

Builder Single Hung (Horizontal & Vertical Installation)..... 30  
 Builder Single Hung (T-mullion Horizontal Assembly) 30  
 Builder Picture (Horizontal/Vertical Installation) ..... 30  
 Builder Single Slider (Horizontal Installation)..... 31  
 Builder End Vent Slider (Horizontal Installation)..... 31  
 Builder Single/End Vent Slider (Vertical Installation).... 31  
 Builder Single Hung (2 x 4 Brick Veneer Installation).. 32  
 Builder Single Hung (Dryvit Veneer Installation) ..... 32  
 Builder Single Hung (2 x 4 Wood Siding Installation).. 33  
 Builder Single Hung (2 x 6 Wood Siding Installation).. 33  
 Builder Single Hung (Cement Stucco Installation)..... 34

**Testing Data**

Structural Performance ..... 35  
 Thermal Performance (with no grids) .....36-37  
 Thermal Performance (with grids) .....38-39





**SINGLE HUNG & PICTURE WINDOWS**
**Single Hung – Wood Stock Sizes**

Stock Sizes	Single Unit Dimension	Rough Opening Single	Rough Opening Double	Rough Opening Triple
18210W	21 1/2 x 36 1/2	22 x 37	44 x 37	66 x 37
1832W	21 1/2 x 40 1/2	22 x 41	44 x 41	66 x 41
18310W	21 1/2 x 48 1/2	22 x 49	44 x 49	66 x 49
1842W	21 1/2 x 52 1/2	22 x 53	44 x 53	66 x 53
1846W	21 1/2 x 56 1/2	22 x 57	44 x 57	66 x 57
1849W	21 1/2 x 59 1/2	22 x 60	44 x 60	66 x 60
1852W	21 1/2 x 64 1/2	22 x 65	44 x 65	66 x 65
1856W	21 1/2 x 68 1/2	22 x 69	44 x 69	66 x 69
1862W	21 1/2 x 76 1/2	22 x 77	44 x 77	66 x 77
20210W	25 1/2 x 36 1/2	26 x 37	52 x 37	78 x 37
2032W	25 1/2 x 40 1/2	26 x 41	52 x 41	78 x 41
20310W	25 1/2 x 48 1/2	26 x 49	52 x 49	78 x 49
2042W	25 1/2 x 52 1/2	26 x 53	52 x 53	78 x 53
2046W	25 1/2 x 56 1/2	26 x 57	52 x 57	78 x 57
2049W	25 1/2 x 59 1/2	26 x 60	52 x 60	78 x 60
2052W	25 1/2 x 64 1/2	26 x 65	52 x 65	78 x 65
2056W	25 1/2 x 68 1/2	26 x 69	52 x 69	78 x 69
2062W	25 1/2 x 76 1/2	26 x 77	52 x 77	78 x 77
24210W	29 1/2 x 36 1/2	30 x 37	60 x 37	90 x 37
2432W	29 1/2 x 40 1/2	30 x 41	60 x 41	90 x 41
24310W	29 1/2 x 48 1/2	30 x 49	60 x 49	90 x 49
2442W	29 1/2 x 52 1/2	30 x 53	60 x 53	90 x 53
2446W	29 1/2 x 56 1/2	30 x 57	60 x 57	90 x 57
2449W	29 1/2 x 59 1/2	30 x 60	60 x 60	90 x 60
2452W	29 1/2 x 64 1/2	30 x 65	60 x 65	90 x 65
2456W	29 1/2 x 68 1/2	30 x 69	60 x 69	90 x 69
2462W	29 1/2 x 76 1/2	30 x 77	60 x 77	90 x 77
28210W	33 1/2 x 36 1/2	34 x 37	68 x 37	102 x 37
2832W	33 1/2 x 40 1/2	34 x 41	68 x 41	102 x 41
28310W	33 1/2 x 48 1/2	34 x 49	68 x 49	102 x 49
2842W	33 1/2 x 52 1/2	34 x 53	68 x 53	102 x 53
2846W	33 1/2 x 56 1/2	34 x 57	68 x 57	102 x 57
2849W	33 1/2 x 59 1/2	34 x 60	68 x 60	102 x 60
2852W	33 1/2 x 64 1/2	34 x 65	68 x 65	102 x 65
2856W	33 1/2 x 68 1/2	34 x 69	68 x 69	102 x 69
2862W	33 1/2 x 76 1/2	34 x 77	68 x 77	102 x 77

**Picture – Wood Stock Sizes**

Stock Sizes	Rough Opening
18210W	22 x 37
1832W	22 x 41
18310W	22 x 49
1842W	22 x 53
1846W	22 x 57
1849W	22 x 60
1852W	22 x 65
1856W	22 x 69
1862W	22 x 77
20210W	26 x 37
2032W	26 x 41
20310W	26 x 49
2042W	26 x 53
2046W	26 x 57
2049W	26 x 60
2052W	26 x 65
2056W	26 x 69
2062W	26 x 77
24210W	30 x 37
2432W	30 x 41
24310W	30 x 49
2442W	30 x 53
2446W	30 x 57
2449W	30 x 60
2452W	30 x 65
2456W	30 x 69
2462W	30 x 77
28210W	34 x 37
2832W	34 x 41
28310W	34 x 49
2842W	34 x 53
2846W	34 x 57
2849W	34 x 60
2852W	34 x 65
2856W	34 x 69
2862W	34 x 77

Wood Stock Sizes continued on page 5.

SINGLE HUNG & PICTURE WINDOWS

Wood Stock Sizes continued from page 4.

Single Hung – Wood Stock Sizes

Stock Sizes	Single Unit Dimension	Rough Opening Single	Rough Opening Double	Rough Opening Triple
30210W	37 1/2 x 36 1/2	38 x 37	76 x 37	114 x 37
3032W	37 1/2 x 40 1/2	38 x 41	76 x 41	114 x 41
30310W	37 1/2 x 48 1/2	38 x 49	76 x 49	114 x 49
3042W	37 1/2 x 52 1/2	38 x 53	76 x 53	114 x 53
3046W	37 1/2 x 56 1/2	38 x 57	76 x 57	114 x 57
3049W	37 1/2 x 59 1/2	38 x 60	76 x 60	114 x 60
3052W	37 1/2 x 64 1/2	38 x 65	76 x 65	114 x 65
3056W	37 1/2 x 68 1/2	38 x 69	76 x 69	114 x 69
3062W	37 1/2 x 76 1/2	38 x 77	76 x 77	114 x 77
34210W	41 1/2 x 36 1/2	42 x 37	84 x 37	126 x 37
3432W	41 1/2 x 40 1/2	42 x 41	84 x 41	126 x 41
34310W	41 1/2 x 48 1/2	42 x 49	84 x 49	126 x 49
3442W	41 1/2 x 52 1/2	42 x 53	84 x 53	126 x 53
3446W	41 1/2 x 56 1/2	42 x 57	84 x 57	126 x 57
3449W	41 1/2 x 59 1/2	42 x 60	84 x 60	126 x 60
3452W	41 1/2 x 64 1/2	42 x 65	84 x 65	126 x 65
3456W	41 1/2 x 68 1/2	42 x 69	84 x 69	126 x 69
3462W	41 1/2 x 76 1/2	42 x 77	84 x 77	126 x 77
38210W	45 1/2 x 36 1/2	46 x 37	92 x 37	138 x 37
3832W	45 1/2 x 40 1/2	46 x 41	92 x 41	138 x 41
38310W	45 1/2 x 48 1/2	46 x 49	92 x 49	138 x 49
3842W	45 1/2 x 52 1/2	46 x 53	92 x 53	138 x 53
3846W	45 1/2 x 56 1/2	46 x 57	92 x 57	138 x 57
3849W	45 1/2 x 59 1/2	46 x 60	92 x 60	138 x 60
3852W	45 1/2 x 64 1/2	46 x 65	92 x 65	138 x 65
3856W	45 1/2 x 68 1/2	46 x 69	92 x 69	138 x 69
3862W	45 1/2 x 76 1/2	46 x 77	92 x 77	138 x 77

Picture – Wood Stock Sizes

Stock Sizes	Rough Opening
30210W	38 x 37
3032W	38 x 41
30310W	38 x 49
3042W	38 x 53
3046W	38 x 57
3049W	38 x 60
3052W	38 x 65
3056W	38 x 69
3062W	38 x 77
34210W	42 x 37
3432W	42 x 41
34310W	42 x 49
3442W	42 x 53
3446W	42 x 57
3449W	42 x 60
3452W	42 x 65
3456W	42 x 69
3462W	42 x 77
38210W	46 x 37
3832W	46 x 41
38310W	46 x 49
3842W	46 x 53
3846W	46 x 57
3849W	46 x 60
3852W	46 x 65
3856W	46 x 69
3862W	46 x 77

Rough Openings for multiple, same-sized Single Hungs and/or Pictures can be calculated by multiplying the single unit rough opening width by the number of units.

Note: When ordering multiple units, you must order the individual windows and specify muller. You can't order by overall rough opening size.

**SLIDER WINDOWS**
**Single Slider**

Stock Sizes	Unit Dimension	Rough Opening
2020	23 1/2 x 23 1/2	24 x 24
2030	23 1/2 x 35 1/2	24 x 36
3020	35 1/2 x 23 1/2	36 x 24
3030	35 1/2 x 35 1/2	36 x 36
3040	35 1/2 x 47 1/2	36 x 48
3050	35 1/2 x 59 1/2	36 x 60
4020	47 1/2 x 23 1/2	48 x 24
4030	47 1/2 x 35 1/2	48 x 36
4040	47 1/2 x 47 1/2	48 x 48
4050	47 1/2 x 59 1/2	48 x 60
4120	48 1/2 x 23 1/2	49 x 24
4130	48 1/2 x 35 1/2	49 x 36
4140	48 1/2 x 47 1/2	49 x 48
4150	48 1/2 x 59 1/2	49 x 60
5020	59 1/2 x 23 1/2	60 x 24
5030	59 1/2 x 35 1/2	60 x 36
5040	59 1/2 x 47 1/2	60 x 48
5050	59 1/2 x 59 1/2	60 x 60
6020	71 1/2 x 23 1/2	72 x 24
6030	71 1/2 x 35 1/2	72 x 36
6040	71 1/2 x 47 1/2	72 x 48
6050	71 1/2 x 59 1/2	72 x 60

**3-lite Slider**

Stock Sizes	Unit Dimension	Rough Opening
6030	71 1/2 x 35 1/2	72 x 36
6040	71 1/2 x 47 1/2	72 x 48
6050	71 1/2 x 59 1/2	72 x 60
7030	83 1/2 x 35 1/2	84 x 36
7040	83 1/2 x 47 1/2	84 x 48
7050	83 1/2 x 59 1/2	84 x 60
8030	95 1/2 x 35 1/2	96 x 36
8040	95 1/2 x 47 1/2	96 x 48
8050	95 1/2 x 59 1/2	96 x 60
9030	107 1/2 x 35 1/2	108 x 36
9040	107 1/2 x 47 1/2	108 x 48
9050	107 1/2 x 59 1/2	108 x 60

Note: When ordering multiple units, you must order the individual windows and specify mullid. You can't order by overall rough opening size.

PICTURE WINDOWS

Picture – Vinyl Stock Sizes

Stock Sizes	Unit Dimension	Rough Opening
1810	19 1/2 x 11 1/2	20 x 12
1820	19 1/2 x 23 1/2	20 x 24
1830	19 1/2 x 35 1/2	20 x 36
1832	19 1/2 x 37 1/2	20 x 38
1838	19 1/2 x 43 1/2	20 x 44
1840	19 1/2 x 47 1/2	20 x 48
1844	19 1/2 x 51 1/2	20 x 52
1846	19 1/2 x 53 1/2	20 x 54
1850	19 1/2 x 59 1/2	20 x 60
1852	19 1/2 x 61 1/2	20 x 62
1853	19 1/2 x 62 1/2	20 x 63
1856	19 1/2 x 65 1/2	20 x 66
1860	19 1/2 x 71 1/2	20 x 72
1862	19 1/2 x 73 1/2	20 x 74
2010	23 1/2 x 11 1/2	24 x 12
2020	23 1/2 x 23 1/2	24 x 24
2030	23 1/2 x 35 1/2	24 x 36
2032	23 1/2 x 37 1/2	24 x 38
2038	23 1/2 x 43 1/2	24 x 44
2040	23 1/2 x 47 1/2	24 x 48
2044	23 1/2 x 51 1/2	24 x 52
2046	23 1/2 x 53 1/2	24 x 54
2050	23 1/2 x 59 1/2	24 x 60
2052	23 1/2 x 61 1/2	24 x 62
2053	23 1/2 x 62 1/2	24 x 63
2056	23 1/2 x 65 1/2	24 x 66
2060	23 1/2 x 71 1/2	24 x 72
2062	23 1/2 x 73 1/2	24 x 74
3010	35 1/2 x 11 1/2	36 x 12
3020	35 1/2 x 23 1/2	36 x 24
3030	35 1/2 x 35 1/2	36 x 36
3032	35 1/2 x 37 1/2	36 x 38
3038	35 1/2 x 43 1/2	36 x 44
3040	35 1/2 x 47 1/2	36 x 48
3044	35 1/2 x 51 1/2	36 x 52
3046	35 1/2 x 53 1/2	36 x 54
3050	35 1/2 x 59 1/2	36 x 60
3052	35 1/2 x 61 1/2	36 x 62
3053	35 1/2 x 62 1/2	36 x 63
3056	35 1/2 x 65 1/2	36 x 66
3060	35 1/2 x 71 1/2	36 x 72
3062	35 1/2 x 73 1/2	36 x 74
4010	47 1/2 x 11 1/2	48 x 12
4020	47 1/2 x 23 1/2	48 x 24
4030	47 1/2 x 35 1/2	48 x 36
4032	47 1/2 x 37 1/2	48 x 38
4038	47 1/2 x 43 1/2	48 x 44
4040	47 1/2 x 47 1/2	48 x 48
4044	47 1/2 x 51 1/2	48 x 52
4046	47 1/2 x 53 1/2	48 x 54
4050	47 1/2 x 59 1/2	48 x 60

Stock Sizes	Unit Dimension	Rough Opening
4052	47 1/2 x 61 1/2	48 x 62
4053	47 1/2 x 62 1/2	48 x 63
4056	47 1/2 x 65 1/2	48 x 66
4060	47 1/2 x 71 1/2	48 x 72
4062	47 1/2 x 73 1/2	48 x 74
5010	59 1/2 x 11 1/2	60 x 12
5020	59 1/2 x 23 1/2	60 x 24
5030	59 1/2 x 35 1/2	60 x 36
5032	59 1/2 x 37 1/2	60 x 38
5038	59 1/2 x 43 1/2	60 x 44
5040	59 1/2 x 47 1/2	60 x 48
5044	59 1/2 x 51 1/2	60 x 52
5046	59 1/2 x 53 1/2	60 x 54
5050	59 1/2 x 59 1/2	60 x 60
5052	59 1/2 x 61 1/2	60 x 62
5053	59 1/2 x 62 1/2	60 x 63
5056	59 1/2 x 65 1/2	60 x 66
5060	59 1/2 x 71 1/2	60 x 72
5062	59 1/2 x 73 1/2	60 x 74

Rough Openings for multiple, same-sized Casements and/or Pictures can be calculated by multiplying the single unit width by the number of units then adding 1/2.

Note: When ordering multiple units, you must order the individual windows and specify muller. You can't order by overall rough opening size.



**PICTURE WINDOWS**
**Picture – Wood Stock Sizes**

Stock Sizes	Unit Dimension	Rough Opening
1810W	21 1/2 x 11 1/2	22 x 12
1815W	21 1/2 x 18 1/2	22 x 19
1817W	21 1/2 x 20 1/2	22 x 21
18210W	21 1/2 x 36 1/2	22 x 37
1832W	21 1/2 x 40 1/2	22 x 41
18310W	21 1/2 x 48 1/2	22 x 49
1842W	21 1/2 x 52 1/2	22 x 53
1846W	21 1/2 x 56 1/2	22 x 57
1849W	21 1/2 x 59 1/2	22 x 60
1852W	21 1/2 x 64 1/2	22 x 65
1856W	21 1/2 x 68 1/2	22 x 69
1862W	21 1/2 x 76 1/2	22 x 77
2010W	25 1/2 x 11 1/2	26 x 12
2015W	25 1/2 x 18 1/2	26 x 19
2017W	25 1/2 x 20 1/2	26 x 21
20210W	25 1/2 x 36 1/2	26 x 37
2032W	25 1/2 x 40 1/2	26 x 41
20310W	25 1/2 x 48 1/2	26 x 49
2042W	25 1/2 x 52 1/2	26 x 53
2046W	25 1/2 x 56 1/2	26 x 57
2049W	25 1/2 x 59 1/2	26 x 60
2052W	25 1/2 x 64 1/2	26 x 65
2056W	25 1/2 x 68 1/2	26 x 69
2062W	25 1/2 x 76 1/2	26 x 77
2410W	29 1/2 x 11 1/2	30 x 12
2415W	29 1/2 x 18 1/2	30 x 19
2417W	29 1/2 x 20 1/2	30 x 21
24210W	29 1/2 x 36 1/2	30 x 37
2432W	29 1/2 x 40 1/2	30 x 41
24310W	29 1/2 x 48 1/2	30 x 49
2442W	29 1/2 x 52 1/2	30 x 53
2446W	29 1/2 x 56 1/2	30 x 57
2449W	29 1/2 x 59 1/2	30 x 60
2452W	29 1/2 x 64 1/2	30 x 65
2456W	29 1/2 x 68 1/2	30 x 69
2462W	29 1/2 x 76 1/2	30 x 77
2810W	33 1/2 x 11 1/2	34 x 12
2815W	33 1/2 x 18 1/2	34 x 19
2817W	33 1/2 x 20 1/2	34 x 21
28210W	33 1/2 x 36 1/2	34 x 37
2832W	33 1/2 x 40 1/2	34 x 41
28310W	33 1/2 x 48 1/2	34 x 49
2842W	33 1/2 x 52 1/2	34 x 53
2846W	33 1/2 x 56 1/2	34 x 57
2849W	33 1/2 x 59 1/2	34 x 60
2852W	33 1/2 x 64 1/2	34 x 65
2856W	33 1/2 x 68 1/2	34 x 69
2862W	33 1/2 x 76 1/2	34 x 77

Stock Sizes	Unit Dimension	Rough Opening
3010W	37 1/2 x 11 1/2	38 x 12
3015W	37 1/2 x 18 1/2	38 x 19
3017W	37 1/2 x 20 1/2	38 x 21
30210W	37 1/2 x 36 1/2	38 x 37
3032W	37 1/2 x 40 1/2	38 x 41
30310W	37 1/2 x 48 1/2	38 x 49
3042W	37 1/2 x 52 1/2	38 x 53
3046W	37 1/2 x 56 1/2	38 x 57
3049W	37 1/2 x 59 1/2	38 x 60
3052W	37 1/2 x 64 1/2	38 x 65
3056W	37 1/2 x 68 1/2	38 x 69
3062W	37 1/2 x 76 1/2	38 x 77
3410W	41 1/2 x 11 1/2	42 x 12
3415W	41 1/2 x 18 1/2	42 x 19
3417W	41 1/2 x 20 1/2	42 x 21
34210W	41 1/2 x 36 1/2	42 x 37
3432W	41 1/2 x 40 1/2	42 x 41
34310W	41 1/2 x 48 1/2	42 x 49
3442W	41 1/2 x 52 1/2	42 x 53
3446W	41 1/2 x 56 1/2	42 x 57
3449W	41 1/2 x 59 1/2	42 x 60
3452W	41 1/2 x 64 1/2	42 x 65
3456W	41 1/2 x 68 1/2	42 x 69
3462W	41 1/2 x 76 1/2	42 x 77
3810W	45 1/2 x 11 1/2	46 x 12
3815W	45 1/2 x 18 1/2	46 x 19
3817W	45 1/2 x 20 1/2	46 x 21
38210W	45 1/2 x 36 1/2	46 x 37
3832W	45 1/2 x 40 1/2	46 x 41
38310W	45 1/2 x 48 1/2	46 x 49
3842W	45 1/2 x 52 1/2	46 x 53
3846W	45 1/2 x 56 1/2	46 x 57
3849W	45 1/2 x 59 1/2	46 x 60
3852W	45 1/2 x 64 1/2	46 x 65
3856W	45 1/2 x 68 1/2	46 x 69
3862W	45 1/2 x 76 1/2	46 x 77
4410W	53 1/2 x 11 1/2	54 x 12
4415W	53 1/2 x 18 1/2	54 x 19
4417W	53 1/2 x 20 1/2	54 x 21
44210W	53 1/2 x 36 1/2	54 x 37
4432W	53 1/2 x 40 1/2	54 x 41
44310W	53 1/2 x 48 1/2	54 x 49
4442W	53 1/2 x 52 1/2	54 x 53
4446W	53 1/2 x 56 1/2	54 x 57
4449W	53 1/2 x 59 1/2	54 x 60
4452W	53 1/2 x 64 1/2	54 x 65
4456W	53 1/2 x 68 1/2	54 x 69
4462W	53 1/2 x 76 1/2	54 x 77

Stock Sizes	Unit Dimension	Rough Opening
5010W	61 1/2 x 11 1/2	62 x 12
5015W	61 1/2 x 18 1/2	62 x 19
5017W	61 1/2 x 20 1/2	62 x 21
50210W	61 1/2 x 36 1/2	62 x 37
5032W	61 1/2 x 40 1/2	62 x 41
50310W	61 1/2 x 48 1/2	62 x 49
5042W	61 1/2 x 52 1/2	62 x 53
5046W	61 1/2 x 56 1/2	62 x 57
5049W	61 1/2 x 59 1/2	62 x 60
5052W	61 1/2 x 64 1/2	62 x 65
5056W	61 1/2 x 68 1/2	62 x 69
5062W	61 1/2 x 76 1/2	62 x 77

Rough Openings for multiple, same-sized Casements and/or Pictures can be calculated by multiplying the single unit width by the number of units then adding 1/2.

Note: When ordering multiple units, you must order the individual windows and specify mullid. You can't order by overall rough opening size.

SPECIALTY WINDOWS

**Half-round – Vinyl Stock Sizes**

Stock Sizes	Unit Dimension	Rough Opening
2814	31 1/2 x 15 1/2	32 x 16
3016	35 1/2 x 17 1/2	36 x 18
3418	39 1/2 x 19 1/2	40 x 20
4020	47 1/2 x 23 1/2	48 x 24
402201	49 1/2 x 24 1/2	50 x 25
4824	55 1/2 x 27 1/2	56 x 28
410205	57 1/2 x 28 1/2	58 x 29
5026	59 1/2 x 29 1/2	60 x 30
5428	63 1/2 x 31 1/2	64 x 32
6030	71 1/2 x 35 1/2	72 x 36
6834	79 1/2 x 39 1/2	80 x 40
7438	87 1/2 x 43 1/2	88 x 44
8040	95 1/2 x 47 1/2	96 x 48

**Half-round – Wood Stock Sizes**

Wood Sizes	Stock Sizes	Unit Dimension	Rough Opening
2413W	206103	29 1/2 x 14 1/2	30 x 15
2815W	210105	33 1/2 x 16 1/2	34 x 17
3017W	302107	37 1/2 x 18 1/2	38 x 19
3419W	306109	41 1/2 x 20 1/2	42 x 21
3620W	308110	43 1/2 x 21 1/2	44 x 22
3821W	310111	45 1/2 x 22 1/2	46 x 23
42111W	404202	51 1/2 x 25 1/2	52 x 26
5632W	508210	67 1/2 x 33 1/2	68 x 34
6036W	604302	75 1/2 x 37 1/2	76 x 38
61033W	700306	83 1/2 x 41 1/2	84 x 42
7637W	708310	91 1/2 x 45 1/2	92 x 46

**Circle**

Stock Sizes	Unit Dimension	Rough Opening
2020	23 1/2 x 23 1/2	24 x 24
3030	35 1/2 x 35 1/2	36 x 36

**Octagon**

Stock Sizes	Unit Dimension	Rough Opening
2020	23 1/2 x 23 1/2	24 x 24

**Quarter-round – Vinyl Stock Sizes**

Stock Sizes	Unit Dimension	Rough Opening
2020	23 1/2 x 23 1/2	24 x 24
2424	27 1/2 x 27 1/2	28 x 28
2828	31 1/2 x 31 1/2	32 x 32
3030	35 1/2 x 35 1/2	36 x 36
3434	39 1/2 x 39 1/2	40 x 40

**Quarter-round – Wood Stock Sizes**

Wood Size	Stock Sizes	Unit Dimension	Rough Opening
1819W	110110	21 1/2 x 21 1/2	22 x 22
2019W	202202	25 1/2 x 25 1/2	26 x 26
2423W	206206	29 1/2 x 29 1/2	30 x 30
2827W	210210	33 1/2 x 33 1/2	34 x 34
30211W	302302	37 1/2 x 37 1/2	38 x 38

Note: When ordering multiple units, you must order the individual windows and specify mullled. You can't order by overall rough opening size.

**SINGLE HUNG STYLES & SIZES**

**Single Hung – Vinyl Stock Sizes**

Rough Unit Size	20"	24"	28"	32"	36"	40"	44"	48"
36"	1830	2030	2430	2830	3030	3430	3830	4030
38"	1832	2032	2432	2832	3032	3432	3832	4032
44"	1838	2038	2438	2838	3038	3438	3838	4038
48"	1840	2040	2440	2840	3040	3440	3840	4040
52"	1844	2044	2444	2844	3044	3444	3844	4044
54"	1846	2046	2446	2846	3046	3446	3846	4046
60"	1850	2050	2450	2850	3050	3450	3850	4050
62"	1852	2052	2452	2852	3052	3452	3852	4052
63"	1853	2053	2453	2853	3053	3453	3853	4053
66"	1856	2056	2456	2856	3056	3456	3856	4056
72"	1860	2060	2460	2860	3060	3460	3860	4060
74"	1862	2062	2462	2862	3062	3462	3862	4062

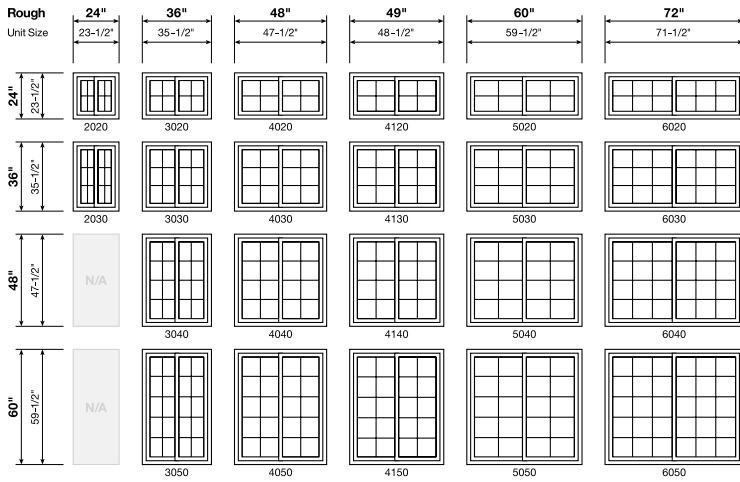
SINGLE HUNG STYLES & SIZES

Single Hung – Wood Stock Sizes

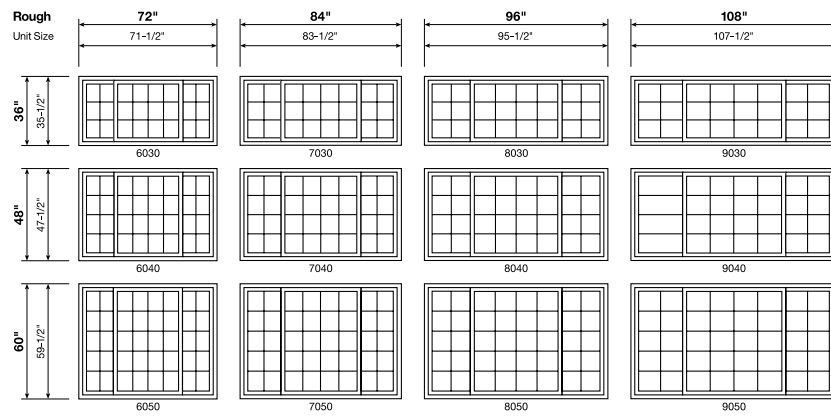
Rough Unit Size	22" 21-1/2"	26" 25-1/2"	30" 29-1/2"	34" 33-1/2"	38" 37-1/2"	42" 41-1/2"	46" 45-1/2"
37" 36-1/2"							
41" 40-1/2"							
49" 48-1/2"							
53" 52-1/2"							
57" 56-1/2"							
60" 59-1/2"							
65" 64-1/2"							
69" 68-1/2"							
77" 76-1/2"							

**SLIDER STYLES & SIZES**

**Single Slider**



**3-lite Slider**

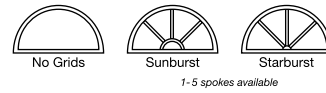


PICTURE AND GEOMETRIC STYLES & SIZES

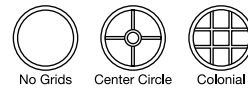
Picture – Vinyl Stock Sizes

Rough Unit Size	20"	24"	36"	48"	60"
12"	1810	2010	3010	4010	5010
24"	1820	2020	3020	4020	5020
36"	1830	2030	3030	4030	5030
38"	1832	2032	3032	4032	5032
44"	1838	2038	3038	4038	5038
48"	1840	2040	3040	4040	5040
52"	1844	2044	3044	4044	5044
54"	1846	2046	3046	4046	5046
60"	1850	2050	3050	4050	5050
62"	1852	2052	3052	4052	5052
63"	1853	2053	3053	4053	5053
66"	1856	2056	3056	4056	5056
72"	1860	2060	3060	4060	5060
74"	1862	2062	3062	4062	5062

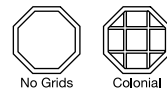
Half-round



Circle

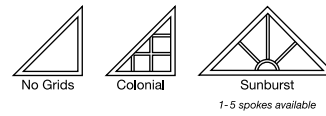


Octagon



Custom Geometrics

Triangle



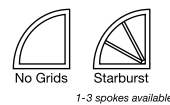
Eyebrow



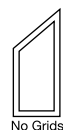
Oval



Quarter-round



Trapezoid



Gothic



Geometric: Triangle, Eyebrow, Oval, Quarter-round, Trapezoid and Gothic shapes are available in custom sizes.

Picture: Inverse sizes may be ordered.

**PICTURE STYLES & SIZES**

**Picture – Wood Stock Sizes**

Rough Unit Size	22"	26"	30"	34"	38"	42"	46"	54"	62"
12" 1-1/2"	1810W	2010W	2410W	2810W	3010W	3410W	3810W	4410W	5010W
19" 18-1/2"	1815W	2015W	2415W	2815W	3015W	3415W	3815W	4415W	5015W
21" 20-3/2"	1817W	2017W	2417W	2817W	3017W	3417W	3817W	4417W	5017W
37" 36-1/2"	18210W	20210W	24210W	28210W	30210W	34210W	38210W	44210W	50210W
41" 41-1/2"	1832W	2032W	2432W	2832W	3032W	3432W	3832W	4432W	5032W
49" 48-1/2"	18310W	20310W	24310W	28310W	30310W	34310W	38310W	44310W	50310W
53" 52-1/2"	1842W	2042W	2442W	2842W	3042W	3442W	3842W	4442W	5042W
57" 56-1/2"	1846W	2046W	2446W	2846W	3046W	3446W	3846W	4446W	5046W
60" 59-1/2"	1849W	2049W	2449W	2849W	3049W	3449W	3849W	4449W	5049W
65" 64-1/2"	1852W	2052W	2452W	2852W	3052W	3452W	3852W	4452W	5052W
69" 68-1/2"	1856W	2056W	2456W	2856W	3056W	3456W	3856W	4456W	5056W
77" 76-1/2"	1862W	2062W	2462W	2862W	3062W	3462W	3862W	4462W	5062W

STANDARD HARDWARE GUIDE

Single Hung – Vinyl Stock Sizes

Vinyl Stock Sizes	Unit Size W x H	Standard Hardware			Maximum Clearance Hardware		
		Manufactured Clear Opening Size		Square Footage	Manufactured Clear Opening Size		Square Footage
		Width	Height		Width	Height	
1830	19 1/2 x 35 1/2	14.644	10.213	1.0			
1832	19 1/2 x 37 1/2	14.644	11.213	1.1			
1838	19 1/2 x 43 1/2	14.644	14.213	1.4			
1840	19 1/2 x 47 1/2	14.644	16.213	1.6			
1844	19 1/2 x 51 1/2	14.644	18.213	1.8	14.644	22.333	2.3
1846	19 1/2 x 53 1/2	14.644	19.213	1.9	14.644	23.333	2.4
1850	19 1/2 x 59 1/2	14.644	22.213	2.2	14.644	26.333	2.7
1852	19 1/2 x 61 1/2	14.644	23.213	2.3	14.644	27.333	2.8
1853	19 1/2 x 62 1/2	14.644	23.713	2.4	14.644	27.833	2.8
1856	19 1/2 x 65 1/2	14.644	25.213	2.5	14.644	29.333	3.0
1860	19 1/2 x 71 1/2	14.644	28.213	2.8			
1862	19 1/2 x 73 1/2	14.644	29.213	2.9			
2030	23 1/2 x 35 1/2	18.644	10.213	1.3			
2032	23 1/2 x 37 1/2	18.644	11.213	1.4			
2038	23 1/2 x 43 1/2	18.644	14.213	1.8			
2040	23 1/2 x 47 1/2	18.644	16.213	2.0			
2044	23 1/2 x 51 1/2	18.644	18.213	2.3	18.644	22.333	2.9
2046	23 1/2 x 53 1/2	18.644	19.213	2.4	18.644	23.333	3.0
2050	23 1/2 x 59 1/2	18.644	22.213	2.8	18.644	26.333	3.4
2052	23 1/2 x 61 1/2	18.644	23.213	3.0	18.644	27.333	3.5
2053	23 1/2 x 62 1/2	18.644	23.713	3.0	18.644	27.833	3.6
2056	23 1/2 x 65 1/2	18.644	25.213	3.2	18.644	29.333	3.8
2060	23 1/2 x 71 1/2	18.644	28.213	3.6			
2062	23 1/2 x 73 1/2	18.644	29.213	3.7			
2430	27 1/2 x 35 1/2	22.644	10.213	1.6			
2432	27 1/2 x 37 1/2	22.644	11.213	1.7			
2438	27 1/2 x 43 1/2	22.644	14.213	2.2			
2440	27 1/2 x 47 1/2	22.644	16.213	2.5			
2444	27 1/2 x 51 1/2	22.644	18.213	2.8	22.644	22.333	3.5
2446	27 1/2 x 53 1/2	22.644	19.213	3.0	22.644	23.333	3.7
2450	27 1/2 x 59 1/2	22.644	22.213	3.4	22.644	26.333	4.1
2452	27 1/2 x 61 1/2	22.644	23.213	3.6	22.644	27.333	4.3
2453	27 1/2 x 62 1/2	22.644	23.713	3.7	22.644	27.833	4.4
2456	27 1/2 x 65 1/2	22.644	25.213	3.9	22.644	29.333	4.6
2460	27 1/2 x 71 1/2	22.644	28.213	4.4			
2462	27 1/2 x 73 1/2	22.644	29.213	4.5			
2830	31 1/2 x 35 1/2	26.644	10.213	1.8			
2832	31 1/2 x 37 1/2	26.644	11.213	2.0			
2838	31 1/2 x 43 1/2	26.644	14.213	2.6			
2840	31 1/2 x 47 1/2	26.644	16.213	2.9			
2844	31 1/2 x 51 1/2	26.644	18.213	3.3	26.644	22.333	4.1
2846	31 1/2 x 53 1/2	26.644	19.213	3.5	26.644	23.333	4.3
2850	31 1/2 x 59 1/2	26.644	22.213	4.1	26.644	26.333	4.9
2852	31 1/2 x 61 1/2	26.644	23.213	4.2	26.644	27.333	5.1
2853	31 1/2 x 62 1/2	26.644	23.713	4.3	26.644	27.833	5.1
2856	31 1/2 x 65 1/2	26.644	25.213	4.6	26.644	29.333	5.4
2860	31 1/2 x 71 1/2	26.644	28.213	5.2			
2862	31 1/2 x 73 1/2	26.644	29.213	5.4			
3030	35 1/2 x 35 1/2	30.644	10.213	2.1			
3032	35 1/2 x 37 1/2	30.644	11.213	2.3			
3038	35 1/2 x 43 1/2	30.644	14.213	3.0			
3040	35 1/2 x 47 1/2	30.644	16.213	3.4			
3044	35 1/2 x 51 1/2	30.644	18.213	3.8	30.644	22.333	4.8
3046	35 1/2 x 53 1/2	30.644	19.213	4.0	30.644	23.333	5.0
3050	35 1/2 x 59 1/2	30.644	22.213	4.7	30.644	26.333	5.6
3052	35 1/2 x 61 1/2	30.644	23.213	4.9	30.644	27.333	5.8
3053	35 1/2 x 62 1/2	30.644	23.713	5.0	30.644	27.833	5.9

☐ = Meets 20" W, 24" H and 5.7 sq. ft egress

■ = Manufactured with maximum clearance hardware standard

Vinyl Stock Sizes continued on page 16.



**STANDARD HARDWARE GUIDE**

Vinyl Stock Sizes continued from page 15.

**Single Hung – Vinyl Stock Sizes**

Vinyl Stock Sizes	Unit Size W x H	Standard Hardware			Maximum Clearance Hardware		
		Manufactured Clear Opening Size		Square Footage	Manufactured Clear Opening Size		Square Footage
		Width	Height		Width	Height	
3056	35 1/2 x 65 1/2	30.644	25.213	5.3	30.644	29.333	6.2
3060	35 1/2 x 71 1/2	30.644	28.213	6.0			
3062	35 1/2 x 73 1/2	30.644	29.213	6.2			
3430	39 1/2 x 35 1/2	34.644	10.213	2.4			
3432	39 1/2 x 37 1/2	34.644	11.213	2.6			
3438	39 1/2 x 43 1/2	34.644	14.213	3.4			
3440	39 1/2 x 47 1/2	34.644	16.213	3.9	34.644	20.333	4.9
3444	39 1/2 x 51 1/2	34.644	18.213	4.3	34.644	22.333	5.4
3446	39 1/2 x 53 1/2	34.644	19.213	4.6	34.644	23.333	5.6
3450	39 1/2 x 59 1/2	34.644	22.213	5.3	34.644	26.333	6.3
3452	39 1/2 x 61 1/2	34.644	23.213	5.5	34.644	27.333	6.6
3453	39 1/2 x 62 1/2	34.644	23.713	5.7	34.644	27.833	6.7
3456	39 1/2 x 65 1/2	34.644	25.213	6.0	34.644	29.333	7.1
3460	39 1/2 x 71 1/2	34.644	25.838	6.2			
3462	39 1/2 x 73 1/2	34.644	26.838	6.4			
3830	43 1/2 x 35 1/2	38.644	10.213	2.7			
3832	43 1/2 x 37 1/2	38.644	11.213	3.0			
3838	43 1/2 x 43 1/2	38.644	14.213	3.8			
3840	43 1/2 x 47 1/2	38.644	16.213	4.3			
3844	43 1/2 x 51 1/2	38.644	18.213	4.8	38.644	22.333	6.0
3846	43 1/2 x 53 1/2	38.644	19.213	5.1	38.644	23.333	6.3
3850	43 1/2 x 59 1/2	38.644	22.213	5.9	38.644	26.333	7.1
3852	43 1/2 x 61 1/2	38.644	20.838	5.5	38.644	27.333	7.3
3853	43 1/2 x 62 1/2	38.644	21.338	5.7	38.644	27.833	7.5
3856	43 1/2 x 65 1/2	38.644	22.838	6.1	38.644	29.333	7.9
3860	43 1/2 x 71 1/2	38.644	25.838	6.9			
3862	43 1/2 x 73 1/2	38.644	26.838	7.2			
4030	47 1/2 x 35 1/2	42.644	10.213	3.0			
4032	47 1/2 x 37 1/2	42.644	11.213	3.3			
4038	47 1/2 x 43 1/2	42.644	14.213	4.2			
4040	47 1/2 x 47 1/2	42.644	16.213	4.8			
4044	47 1/2 x 51 1/2	42.644	18.213	5.3	42.644	22.333	6.6
4046	47 1/2 x 53 1/2	42.644	19.213	5.6	42.644	23.333	6.9
4050	47 1/2 x 59 1/2	42.644	19.838	5.8	42.644	26.333	7.8
4052	47 1/2 x 61 1/2	42.644	20.838	6.1	42.644	27.333	8.1
4053	47 1/2 x 62 1/2	42.644	21.338	6.3	42.644	27.833	8.2
4056	47 1/2 x 65 1/2	42.644	22.838	6.7	42.644	29.333	8.7
4060	47 1/2 x 71 1/2	42.644	25.838	7.6			
4062	47 1/2 x 73 1/2	42.644	26.838	7.9			

= Meets 20" W, 24" H and 5.7 sq. ft egress

= Manufactured with maximum clearance hardware standard

Notes: Due to the many varied State and Municipal Building Codes, it is the sole responsibility of the individual architect, builder, contractor, developer or engineer and/or purchaser to insure that the windows comply with existing Building Codes.

Simonton Windows® cannot be responsible for: calculations and design of support mullions or structural support required for installation of a product, safety glazing requirements or ingress-egress requirements.

Please consult with your local building codes official prior to installing products. If you have questions concerning performance or options, please contact Simonton Windows®.

STANDARD HARDWARE GUIDE

Single Hung – Wood Stock Sizes

Wood Size	Stock Sizes	Unit Size W x H	Standard Hardware			Maximum Clearance Hardware		
			Manufactured Clear Opening Size		Square Footage	Manufactured Clear Opening Size		Square Footage
			Width	Height		Width	Height	
18210W	110301	21 1/2 x 36 1/2	16.644	10.713	1.2			
1832W	110305	21 1/2 x 40 1/2	16.644	12.713	1.4			
18310W	110401	21 1/2 x 48 1/2	16.644	16.713	1.9	16.644	20.833	2.4
1842W	110405	21 1/2 x 52 1/2	16.644	18.713	2.1	16.644	22.833	2.6
1846W	110409	21 1/2 x 56 1/2	16.644	20.713	2.3	16.644	24.833	2.9
1849W	110500	21 1/2 x 59 1/2	16.644	22.213	2.5	16.644	26.333	3.0
1852W	110505	21 1/2 x 64 1/2	16.644	24.713	2.8	16.644	28.833	3.3
1856W	110509	21 1/2 x 68 1/2	16.644	26.713	3.0	16.644	30.833	3.6
1862W	110605	21 1/2 x 76 1/2	16.644	30.713	3.5			
20210W	202301	25 1/2 x 36 1/2	20.644	10.713	1.5			
2032W	202305	25 1/2 x 40 1/2	20.644	12.713	1.8			
20310W	202401	25 1/2 x 48 1/2	20.644	16.713	2.3	20.644	20.833	3.0
2042W	202405	25 1/2 x 52 1/2	20.644	18.713	2.6	20.644	22.833	3.3
2046W	202409	25 1/2 x 56 1/2	20.644	20.713	2.9	20.644	24.833	3.6
2049W	202500	25 1/2 x 59 1/2	20.644	22.213	3.1	20.644	26.333	3.8
2052W	202505	25 1/2 x 64 1/2	20.644	24.713	3.5	20.644	28.833	4.1
2056W	202509	25 1/2 x 68 1/2	20.644	26.713	3.8	20.644	30.833	4.4
2062W	202605	25 1/2 x 76 1/2	20.644	30.713	4.4			
24210W	206301	29 1/2 x 36 1/2	24.644	10.713	1.8			
2432W	206305	29 1/2 x 40 1/2	24.644	12.713	2.1			
24310W	206401	29 1/2 x 48 1/2	24.644	16.713	2.8	24.644	20.833	3.6
2442W	206405	29 1/2 x 52 1/2	24.644	18.713	3.2	24.644	22.833	3.9
2446W	206409	29 1/2 x 56 1/2	24.644	20.713	3.5	24.644	24.833	4.2
2449W	206500	29 1/2 x 59 1/2	24.644	22.213	3.8	24.644	26.333	4.5
2452W	206505	29 1/2 x 64 1/2	24.644	24.713	4.2	24.644	28.833	4.9
2456W	206509	29 1/2 x 68 1/2	24.644	26.713	4.5	24.644	30.833	5.3
2462W	206605	29 1/2 x 76 1/2	24.644	30.713	5.2			
28210W	210301	33 1/2 x 36 1/2	28.644	10.713	2.1			
2832W	210305	33 1/2 x 40 1/2	28.644	12.713	2.5			
28310W	210401	33 1/2 x 48 1/2	28.644	16.713	3.3	28.644	20.833	4.1
2842W	210405	33 1/2 x 52 1/2	28.644	18.713	3.7	28.644	22.833	4.5
2846W	210409	33 1/2 x 56 1/2	28.644	20.713	4.1	28.644	24.833	4.9
2849W	210500	33 1/2 x 59 1/2	28.644	22.213	4.4	28.644	26.333	5.2
2852W	210505	33 1/2 x 64 1/2	28.644	24.713	4.9	28.644	28.833	5.7
2856W	210509	33 1/2 x 68 1/2	28.644	26.713	5.3	28.644	30.833	6.1
2862W	210605	33 1/2 x 76 1/2	28.644	30.713	6.1			
30210W	302301	37 1/2 x 36 1/2	32.644	10.713	2.4			
3032W	302305	37 1/2 x 40 1/2	32.644	12.713	2.8			
30310W	302401	37 1/2 x 48 1/2	32.644	16.713	3.7	32.644	20.833	4.7
3042W	302405	37 1/2 x 52 1/2	32.644	18.713	4.2	32.644	22.833	5.2
3046W	302409	37 1/2 x 56 1/2	32.644	20.713	4.6	32.644	24.833	5.6
3049W	302500	37 1/2 x 59 1/2	32.644	22.213	5.0	32.644	26.333	6.0
3052W	302505	37 1/2 x 64 1/2	32.644	24.713	5.6	32.644	28.833	6.5
3056W	302509	37 1/2 x 68 1/2	32.644	26.713	6.0	32.644	30.833	7.0
3062W	302605	37 1/2 x 76 1/2	32.644	28.338	6.4			
34210W	306301	41 1/2 x 36 1/2	36.644	10.713	2.7			
3432W	306305	41 1/2 x 40 1/2	36.644	12.713	3.2			
34310W	306401	41 1/2 x 48 1/2	36.644	16.713	4.2	36.644	20.833	5.3
3442W	306405	41 1/2 x 52 1/2	36.644	18.713	4.7	36.644	22.833	5.8
3446W	306409	41 1/2 x 56 1/2	36.644	20.713	5.2	36.644	24.833	6.3

Meets 20" W, 24" H and 5.7 sq. ft egress

Manufactured with maximum clearance hardware standard

Wood Stock Sizes continued on page 18.

**STANDARD HARDWARE GUIDE**

Wood Stock Sizes continued from page 17.

**Single Hung – Wood Stock Sizes**

Wood Size	Stock Sizes	Unit Size W x H	Standard Hardware			Maximum Clearance Hardware		
			Manufactured Clear Opening Size		Square Footage	Manufactured Clear Opening Size		Square Footage
			Width	Height		Width	Height	
3449W	306500	41 1/2 x 59 1/2	36.644	22.213	5.6	36.644	26.333	6.7
3452W	306505	41 1/2 x 64 1/2	36.644	22.338	5.6	36.644	28.833	7.3
3456W	306509	41 1/2 x 68 1/2	36.644	24.338	6.1	36.644	30.833	7.8
3462W	306605	41 1/2 x 76 1/2	36.644	28.338	7.2			
38210W	310301	45 1/2 x 36 1/2	40.644	10.713	3.0			
3832W	310305	45 1/2 x 40 1/2	40.644	12.713	3.5			
38310W	310401	45 1/2 x 48 1/2	40.644	16.713	4.7	40.644	20.833	5.9
3842W	310405	45 1/2 x 52 1/2	40.644	18.713	5.2	40.644	22.833	6.4
3846W	310409	45 1/2 x 56 1/2	40.644	20.713	5.8	40.644	24.833	7.0
3849W	310500	45 1/2 x 59 1/2	40.644	19.838	5.5	40.644	26.333	7.4
3852W	310505	45 1/2 x 64 1/2	40.644	22.338	6.3	40.644	28.833	8.1
3856W	310509	45 1/2 x 68 1/2	40.644	24.338	6.8			
3862W	310605	45 1/2 x 76 1/2	40.644	28.338	7.9			

Meets 20" W, 24" H and 5.7 sq. ft egress      Manufactured with maximum clearance hardware standard

**Single Slider – Stock Sizes**

Stock Sizes	Unit Size W x H	With Sash			With Sash Removed		
		Manufactured Clear Opening Size		Square Footage	Manufactured Clear Opening Size		Square Footage
		Width	Height		Width	Height	
2020	23 1/2 x 23 1/2	7.972	18.644	1.0	7.972	18.644	1.0
2030	23 1/2 x 35 1/2	7.972	30.644	1.6	7.972	30.644	1.6
3020	35 1/2 x 23 1/2	13.972	18.644	1.8	13.972	18.644	1.8
3030	35 1/2 x 35 1/2	13.972	30.644	2.9	13.972	30.644	2.9
3040	35 1/2 x 47 1/2	13.972	42.644	4.1	13.972	42.644	4.1
3050	35 1/2 x 59 1/2	13.972	54.644	5.3	13.972	54.644	5.3
4020	47 1/2 x 23 1/2	19.972	18.644	2.5	19.972	18.644	2.5
4030	47 1/2 x 35 1/2	19.972	30.644	4.2	19.972	30.644	4.2
4040	47 1/2 x 47 1/2	19.972	42.644	5.9	19.972	42.644	5.9
4050	47 1/2 x 59 1/2	19.972	54.644	7.5	19.972	54.644	7.5
4120	48 1/2 x 23 1/2	20.472	18.644	2.6	20.472	18.644	2.6
4130	48 1/2 x 35 1/2	20.472	30.644	4.3	20.472	30.644	4.3
4140	48 1/2 x 47 1/2	20.472	42.644	6.0	20.472	42.644	6.0
4150	48 1/2 x 59 1/2	20.472	54.644	7.7	20.472	54.644	7.7
5020	59 1/2 x 23 1/2	25.972	18.644	3.3	25.972	18.644	3.3
5030	59 1/2 x 35 1/2	25.972	30.644	5.5	25.972	30.644	5.5
5040	59 1/2 x 47 1/2	25.972	42.644	7.6	25.972	42.644	7.6
5050	59 1/2 x 59 1/2	25.972	54.644	9.8	25.972	54.644	9.8
6020	71 1/2 x 23 1/2	31.972	18.644	4.1	31.972	18.644	4.1
6030	71 1/2 x 35 1/2	31.972	30.644	6.8	31.972	30.644	6.8
6040	71 1/2 x 47 1/2	31.972	42.644	9.4	31.972	42.644	9.4
6050	71 1/2 x 59 1/2	31.972	54.644	12.1	31.972	54.644	12.1

Meets 20" W, 24" H and 5.7 sq. ft egress      Manufactured with maximum clearance hardware standard

Notes: Due to the many varied State and Municipal Building Codes, it is the sole responsibility of the individual architect, builder, contractor, developer or engineer and/or purchaser to insure that the windows comply with existing Building Codes.

Simonton Windows® cannot be responsible for: calculations and design of support mullions or structural support required for installation of a product, safety glazing requirements or ingress-egress requirements.

Please consult with your local building codes official prior to installing products. If you have questions concerning performance or options, please contact Simonton Windows®.

STANDARD HARDWARE GUIDE

**3-lite Slider (1/3-1/3-1/3) – Stock Sizes**

Stock Sizes	Unit Size W x H	With Sash			With Sash Removed		
		Manufactured Clear Opening Size		Square Footage	Manufactured Clear Opening Size		Square Footage
		Width	Height		Width	Height	
6030	71 1/2 x 35 1/2	20.222	30.644	4.3	20.222	30.644	4.3
6040	71 1/2 x 47 1/2	20.222	42.644	5.9	20.222	42.644	5.9
6050	71 1/2 x 59 1/2	20.222	54.644	7.6	20.222	54.644	7.6
7030	83 1/2 x 35 1/2	24.222	30.644	5.1	24.222	30.644	5.1
7040	83 1/2 x 47 1/2	24.222	42.644	7.1	24.222	42.644	7.1
7050	83 1/2 x 59 1/2	24.222	54.644	9.1	24.222	54.644	9.1
8030	95 1/2 x 35 1/2	28.222	30.644	6.0	28.222	30.644	6.0
8040	95 1/2 x 47 1/2	28.222	42.644	8.3	28.222	42.644	8.3
8050	95 1/2 x 59 1/2	28.222	54.644	10.7	28.222	54.644	10.7
9030	107 1/2 x 35 1/2	32.222	30.644	6.8	32.222	30.644	6.8
9040	107 1/2 x 47 1/2	32.222	42.644	9.5	32.222	42.644	9.5
9050	107 1/2 x 59 1/2	32.222	54.644	12.2	32.222	54.644	12.2

Meets 20" W, 24" H and 5.7 sq. ft egress

Manufactured with maximum clearance hardware standard

**3-lite Slider (1/4-1/2-1/4) – Stock Sizes**

Stock Sizes	Unit Size W x H	With Sash			With Sash Removed		
		Manufactured Clear Opening Size		Square Footage	Manufactured Clear Opening Size		Square Footage
		Width	Height		Width	Height	
6030	71 1/2 x 35 1/2	14.264	30.644	3.0	14.264	30.644	3.0
6040	71 1/2 x 47 1/2	14.264	42.644	4.2	14.264	42.644	4.2
6050	71 1/2 x 59 1/2	14.264	54.644	5.4	14.264	54.644	5.4
7030	83 1/2 x 35 1/2	17.264	30.644	3.6	17.264	30.644	3.6
7040	83 1/2 x 47 1/2	17.264	42.644	5.1	17.264	42.644	5.1
7050	83 1/2 x 59 1/2	17.264	54.644	6.5	17.264	54.644	6.5
8030	95 1/2 x 35 1/2	20.264	30.644	4.3	20.264	30.644	4.3
8040	95 1/2 x 47 1/2	20.264	42.644	6.0	20.264	42.644	6.0
8050	95 1/2 x 59 1/2	20.264	54.644	7.6	20.264	54.644	7.6
9030	107 1/2 x 35 1/2	23.264	30.644	4.9	23.264	30.644	4.9
9040	107 1/2 x 47 1/2	23.264	42.644	6.8	23.264	42.644	6.8
9050	107 1/2 x 59 1/2	23.264	54.644	8.8	23.264	54.644	8.8

Meets 20" W, 24" H and 5.7 sq. ft egress

Manufactured with maximum clearance hardware standard

Notes: Due to the many varied State and Municipal Building Codes, it is the sole responsibility of the individual architect, builder, contractor, developer or engineer and/or purchaser to insure that the windows comply with existing Building Codes.

Simonton Windows® cannot be responsible for: calculations and design of support mullions or structural support required for installation of a product, safety glazing requirements or ingress-egress requirements.

Please consult with your local building codes official prior to installing products. If you have questions concerning performance or options, please contact Simonton Windows®.

**DAYLIGHT OPENING INFORMATION**
**Single Hung – Vinyl Stock Sizes**

Stock Sizes	Unit Size W x H	Unobstructed Glass Size W x H	Unobstructed Glass Size Square Footage	Vent Size W x H	Vent Size Square Footage
1830	19 1/2 x 35 1/2	14.66 x 28.12	2.9	14.64 x 9.94	1.0
1832	19 1/2 x 37 1/2	14.66 x 30.12	3.1	14.64 x 10.94	1.1
1838	19 1/2 x 43 1/2	14.66 x 36.12	3.7	14.64 x 13.94	1.4
1840	19 1/2 x 47 1/2	14.66 x 40.12	4.1	14.64 x 15.94	1.6
1844	19 1/2 x 51 1/2	14.66 x 44.12	4.5	14.64 x 17.94	1.8
1846	19 1/2 x 53 1/2	14.66 x 46.12	4.7	14.64 x 18.94	1.9
1850	19 1/2 x 59 1/2	14.66 x 52.12	5.3	14.64 x 21.94	2.2
1852	19 1/2 x 61 1/2	14.66 x 54.12	5.5	14.64 x 22.94	2.3
1853	19 1/2 x 62 1/2	14.66 x 55.12	5.6	14.64 x 23.44	2.4
1856	19 1/2 x 65 1/2	14.66 x 58.12	5.9	14.64 x 24.94	2.5
1860	19 1/2 x 71 1/2	14.66 x 64.12	6.5	14.64 x 27.94	2.8
1862	19 1/2 x 73 1/2	14.66 x 66.12	6.7	14.64 x 28.94	2.9
2030	23 1/2 x 35 1/2	18.66 x 28.12	3.6	18.64 x 9.94	1.3
2032	23 1/2 x 37 1/2	18.66 x 30.12	3.9	18.64 x 10.94	1.4
2038	23 1/2 x 43 1/2	18.66 x 36.12	4.7	18.64 x 13.94	1.8
2040	23 1/2 x 47 1/2	18.66 x 40.12	5.2	18.64 x 15.94	2.1
2044	23 1/2 x 51 1/2	18.66 x 44.12	5.7	18.64 x 17.94	2.3
2046	23 1/2 x 53 1/2	18.66 x 46.12	6.0	18.64 x 18.94	2.5
2050	23 1/2 x 59 1/2	18.66 x 52.12	6.8	18.64 x 21.94	2.8
2052	23 1/2 x 61 1/2	18.66 x 54.12	7.0	18.64 x 22.94	3.0
2053	23 1/2 x 62 1/2	18.66 x 55.12	7.1	18.64 x 23.44	3.0
2056	23 1/2 x 65 1/2	18.66 x 58.12	7.5	18.64 x 24.94	3.2
2060	23 1/2 x 71 1/2	18.66 x 64.12	8.3	18.64 x 27.94	3.6
2062	23 1/2 x 73 1/2	18.66 x 66.12	8.6	18.64 x 28.94	3.7
2430	27 1/2 x 35 1/2	22.66 x 28.12	4.4	22.64 x 9.94	1.6
2432	27 1/2 x 37 1/2	22.66 x 30.12	4.7	22.64 x 10.94	1.7
2438	27 1/2 x 43 1/2	22.66 x 36.12	5.7	22.64 x 13.94	2.2
2440	27 1/2 x 47 1/2	22.66 x 40.12	6.3	22.64 x 15.94	2.5
2444	27 1/2 x 51 1/2	22.66 x 44.12	6.9	22.64 x 17.94	2.8
2446	27 1/2 x 53 1/2	22.66 x 46.12	7.3	22.64 x 18.94	3.0
2450	27 1/2 x 59 1/2	22.66 x 52.12	8.2	22.64 x 21.94	3.5
2452	27 1/2 x 61 1/2	22.66 x 54.12	8.5	22.64 x 22.94	3.6
2453	27 1/2 x 62 1/2	22.66 x 55.12	8.7	22.64 x 23.44	3.7
2456	27 1/2 x 65 1/2	22.66 x 58.12	9.1	22.64 x 24.94	3.9
2460	27 1/2 x 71 1/2	22.66 x 64.12	10.1	22.64 x 27.94	4.4
2462	27 1/2 x 73 1/2	22.66 x 66.12	10.4	22.64 x 28.94	4.6
2830	31 1/2 x 35 1/2	26.66 x 28.12	5.2	26.64 x 9.94	1.8
2832	31 1/2 x 37 1/2	26.66 x 30.12	5.6	26.64 x 10.94	2.0
2838	31 1/2 x 43 1/2	26.66 x 36.12	6.7	26.64 x 13.94	2.6
2840	31 1/2 x 47 1/2	26.66 x 40.12	7.4	26.64 x 15.94	2.9
2844	31 1/2 x 51 1/2	26.66 x 44.12	8.2	26.64 x 17.94	3.3
2846	31 1/2 x 53 1/2	26.66 x 46.12	8.5	26.64 x 18.94	3.5
2850	31 1/2 x 59 1/2	26.66 x 52.12	9.6	26.64 x 21.94	4.1
2852	31 1/2 x 61 1/2	26.66 x 54.12	10.0	26.64 x 22.94	4.2
2853	31 1/2 x 62 1/2	26.66 x 55.12	10.2	26.64 x 23.44	4.3
2856	31 1/2 x 65 1/2	26.66 x 58.12	10.8	26.64 x 24.94	4.6
2860	31 1/2 x 71 1/2	26.66 x 64.12	11.9	26.64 x 27.94	5.2
2862	31 1/2 x 73 1/2	26.66 x 66.12	12.2	26.64 x 28.94	5.4
3030	35 1/2 x 35 1/2	30.66 x 28.12	6.0	30.64 x 9.94	2.1
3032	35 1/2 x 37 1/2	30.66 x 30.12	6.4	30.64 x 10.94	2.3
3038	35 1/2 x 43 1/2	30.66 x 36.12	7.7	30.64 x 13.94	3.0
3040	35 1/2 x 47 1/2	30.66 x 40.12	8.5	30.64 x 15.94	3.4
3044	35 1/2 x 51 1/2	30.66 x 44.12	9.4	30.64 x 17.94	3.8
3046	35 1/2 x 53 1/2	30.66 x 46.12	9.8	30.64 x 18.94	4.0
3050	35 1/2 x 59 1/2	30.66 x 52.12	11.1	30.64 x 21.94	4.7

Vinyl Stock Sizes continued on page 21.

**DAYLIGHT OPENING INFORMATION**

Vinyl Stock Sizes continued from page 20.

**Single Hung – Vinyl Stock Sizes**

Stock Sizes	Unit Size W x H	Unobstructed Glass Size W x H	Unobstructed Glass Size Square Footage	Vent Size W x H	Vent Size Square Footage
3052	35 1/2 x 61 1/2	30.66 x 54.12	11.5	30.64 x 22.94	4.9
3053	35 1/2 x 62 1/2	30.66 x 55.12	11.7	30.64 x 23.44	5.0
3056	35 1/2 x 65 1/2	30.66 x 58.12	12.4	30.64 x 24.94	5.3
3060	35 1/2 x 71 1/2	30.66 x 64.12	13.7	30.64 x 27.94	5.9
3062	35 1/2 x 73 1/2	30.66 x 66.12	14.1	30.64 x 28.94	6.2
3430	39 1/2 x 35 1/2	34.66 x 28.12	6.8	34.64 x 9.94	2.4
3432	39 1/2 x 37 1/2	34.66 x 30.12	7.2	34.64 x 10.94	2.6
3438	39 1/2 x 43 1/2	34.66 x 36.12	8.7	34.64 x 13.94	3.4
3440	39 1/2 x 47 1/2	34.66 x 40.12	9.7	34.64 x 15.94	3.8
3444	39 1/2 x 51 1/2	34.66 x 44.12	10.6	34.64 x 17.94	4.3
3446	39 1/2 x 53 1/2	34.66 x 46.12	11.1	34.64 x 18.94	4.6
3450	39 1/2 x 59 1/2	34.66 x 52.12	12.5	34.64 x 21.94	5.3
3452	39 1/2 x 61 1/2	34.66 x 54.12	13.0	34.64 x 22.94	5.5
3453	39 1/2 x 62 1/2	34.66 x 55.12	13.3	34.64 x 23.44	5.6
3456	39 1/2 x 65 1/2	34.66 x 58.12	14.0	34.64 x 24.94	6.0
3460	39 1/2 x 71 1/2	34.66 x 64.12	15.4	34.64 x 27.94	6.7
3462	39 1/2 x 73 1/2	34.66 x 66.12	15.9	34.64 x 28.94	7.0
3830	43 1/2 x 35 1/2	38.66 x 28.12	7.5	38.64 x 9.94	2.7
3832	43 1/2 x 37 1/2	38.66 x 30.12	8.1	38.64 x 10.94	2.9
3838	43 1/2 x 43 1/2	38.66 x 36.12	9.7	38.64 x 13.94	3.7
3840	43 1/2 x 47 1/2	38.66 x 40.12	10.8	38.64 x 15.94	4.3
3844	43 1/2 x 51 1/2	38.66 x 44.12	11.8	38.64 x 17.94	4.8
3846	43 1/2 x 53 1/2	38.66 x 46.12	12.4	38.64 x 18.94	5.1
3850	43 1/2 x 59 1/2	38.66 x 52.12	14.0	38.64 x 21.94	5.9
3852	43 1/2 x 61 1/2	38.66 x 54.12	14.5	38.64 x 22.94	6.2
3853	43 1/2 x 62 1/2	38.66 x 55.12	14.8	38.64 x 23.44	6.3
3856	43 1/2 x 65 1/2	38.66 x 58.12	15.6	38.64 x 24.94	6.7
3860	43 1/2 x 71 1/2	38.66 x 64.12	17.2	38.64 x 27.94	7.5
3862	43 1/2 x 73 1/2	38.66 x 66.12	17.8	38.64 x 28.94	7.8
4030	47 1/2 x 35 1/2	42.66 x 28.12	8.3	42.64 x 9.94	2.9
4032	47 1/2 x 37 1/2	42.66 x 30.12	8.9	42.64 x 10.94	3.2
4038	47 1/2 x 43 1/2	42.66 x 36.12	10.7	42.64 x 13.94	4.1
4040	47 1/2 x 47 1/2	42.66 x 40.12	11.9	42.64 x 15.94	4.7
4044	47 1/2 x 51 1/2	42.66 x 44.12	13.1	42.64 x 17.94	5.3
4046	47 1/2 x 53 1/2	42.66 x 46.12	13.7	42.64 x 18.94	5.6
4050	47 1/2 x 59 1/2	42.66 x 52.12	15.4	42.64 x 21.94	6.5
4052	47 1/2 x 61 1/2	42.66 x 54.12	16.0	42.64 x 22.94	6.8
4053	47 1/2 x 62 1/2	42.66 x 55.12	16.3	42.64 x 23.44	6.9
4056	47 1/2 x 65 1/2	42.66 x 58.12	17.2	42.64 x 24.94	7.4
4060	47 1/2 x 71 1/2	42.66 x 64.12	19.0	42.64 x 27.94	8.3
4062	47 1/2 x 73 1/2	42.66 x 66.12	19.6	42.64 x 28.94	8.6

\*Please note that these values represent square footage.

**DAYLIGHT OPENING INFORMATION**
**Single Hung – Wood Stock Sizes**

Wood Size	Stock Sizes	Unit Size W x H	Unobstructed Glass Size W x H	Unobstructed Glass Size Square Footage	Vent Size W x H	Vent Size Square Footage
18210W	110301	21 1/2 x 36 1/2	16.66 x 29.12	3.4	16.64 x 10.44	1.2
1832W	110305	21 1/2 x 40 1/2	16.66 x 33.12	3.8	16.64 x 12.44	1.4
18310W	110401	21 1/2 x 48 1/2	16.66 x 41.12	4.8	16.64 x 16.44	1.9
1842W	110405	21 1/2 x 52 1/2	16.66 x 45.12	5.2	16.64 x 18.44	2.1
1846W	110409	21 1/2 x 56 1/2	16.66 x 49.12	5.7	16.64 x 20.44	2.4
1849W	110500	21 1/2 x 59 1/2	16.66 x 52.12	6.0	16.64 x 21.94	2.5
1852W	110505	21 1/2 x 64 1/2	16.66 x 57.12	6.6	16.64 x 24.44	2.8
1856W	110509	21 1/2 x 68 1/2	16.66 x 61.12	7.1	16.64 x 26.44	3.1
1862W	110605	21 1/2 x 76 1/2	16.66 x 69.12	8.0	16.64 x 30.44	3.5
20210W	202301	25 1/2 x 36 1/2	20.66 x 29.12	4.2	20.64 x 10.44	1.5
2032W	202305	25 1/2 x 40 1/2	20.66 x 33.12	4.8	20.64 x 12.44	1.8
20310W	202401	25 1/2 x 48 1/2	20.66 x 41.12	5.9	20.64 x 16.44	2.4
2042W	202405	25 1/2 x 52 1/2	20.66 x 45.12	6.5	20.64 x 18.44	2.6
2046W	202409	25 1/2 x 56 1/2	20.66 x 49.12	7.0	20.64 x 20.44	2.9
2049W	202500	25 1/2 x 59 1/2	20.66 x 52.12	7.5	20.64 x 21.94	3.1
2052W	202505	25 1/2 x 64 1/2	20.66 x 57.12	8.2	20.64 x 24.44	3.5
2056W	202509	25 1/2 x 68 1/2	20.66 x 61.12	8.8	20.64 x 26.44	3.8
2062W	202605	25 1/2 x 76 1/2	20.66 x 69.12	9.9	20.64 x 30.44	4.4
24210W	206301	29 1/2 x 36 1/2	24.66 x 29.12	5.0	24.64 x 10.44	1.8
2432W	206305	29 1/2 x 40 1/2	24.66 x 33.12	5.7	24.64 x 12.44	2.1
24310W	206401	29 1/2 x 48 1/2	24.66 x 41.12	7.0	24.64 x 16.44	2.8
2442W	206405	29 1/2 x 52 1/2	24.66 x 45.12	7.7	24.64 x 18.44	3.2
2446W	206409	29 1/2 x 56 1/2	24.66 x 49.12	8.4	24.64 x 20.44	3.5
2449W	206500	29 1/2 x 59 1/2	24.66 x 52.12	8.9	24.64 x 21.94	3.8
2452W	206505	29 1/2 x 64 1/2	24.66 x 57.12	9.8	24.64 x 24.44	4.2
2456W	206509	29 1/2 x 68 1/2	24.66 x 61.12	10.5	24.64 x 26.44	4.5
2462W	206605	29 1/2 x 76 1/2	24.66 x 69.12	11.8	24.64 x 30.44	5.2
28210W	210301	33 1/2 x 36 1/2	28.66 x 29.12	5.8	28.64 x 10.44	2.1
2832W	210305	33 1/2 x 40 1/2	28.66 x 33.12	6.6	28.64 x 12.44	2.5
28310W	210401	33 1/2 x 48 1/2	28.66 x 41.12	8.2	28.64 x 16.44	3.3
2842W	210405	33 1/2 x 52 1/2	28.66 x 45.12	9.0	28.64 x 18.44	3.7
2846W	210409	33 1/2 x 56 1/2	28.66 x 49.12	9.8	28.64 x 20.44	4.1
2849W	210500	33 1/2 x 59 1/2	28.66 x 52.12	10.4	28.64 x 21.94	4.4
2852W	210505	33 1/2 x 64 1/2	28.66 x 57.12	11.4	28.64 x 24.44	4.9
2856W	210509	33 1/2 x 68 1/2	28.66 x 61.12	12.2	28.64 x 26.44	5.3
2862W	210605	33 1/2 x 76 1/2	28.66 x 69.12	13.8	28.64 x 30.44	6.1
30210W	302301	37 1/2 x 36 1/2	32.66 x 29.12	6.6	32.64 x 10.44	2.4
3032W	302305	37 1/2 x 40 1/2	32.66 x 33.12	7.5	32.64 x 12.44	2.8
30310W	302401	37 1/2 x 48 1/2	32.66 x 41.12	9.3	32.64 x 16.44	3.7
3042W	302405	37 1/2 x 52 1/2	32.66 x 45.12	10.2	32.64 x 18.44	4.2
3046W	302409	37 1/2 x 56 1/2	32.66 x 49.12	11.1	32.64 x 20.44	4.6
3049W	302500	37 1/2 x 59 1/2	32.66 x 52.12	11.8	32.64 x 21.94	5.0
3052W	302505	37 1/2 x 64 1/2	32.66 x 57.12	13.0	32.64 x 24.44	5.5
3056W	302509	37 1/2 x 68 1/2	32.66 x 61.12	13.9	32.64 x 26.44	6.0
3062W	302605	37 1/2 x 76 1/2	32.66 x 69.12	15.7	32.64 x 30.44	6.9
34210W	306301	41 1/2 x 36 1/2	36.66 x 29.12	7.4	36.64 x 10.44	2.7
3432W	306305	41 1/2 x 40 1/2	36.66 x 33.12	8.4	36.64 x 12.44	3.2
34310W	306401	41 1/2 x 48 1/2	36.66 x 41.12	10.5	36.64 x 16.44	4.2
3442W	306405	41 1/2 x 52 1/2	36.66 x 45.12	11.5	36.64 x 18.44	4.7
3446W	306409	41 1/2 x 56 1/2	36.66 x 49.12	12.5	36.64 x 20.44	5.2
3449W	306500	41 1/2 x 59 1/2	36.66 x 52.12	13.3	36.64 x 21.94	5.6
3452W	306505	41 1/2 x 64 1/2	36.66 x 57.12	14.5	36.64 x 24.44	6.2
3456W	306509	41 1/2 x 68 1/2	36.66 x 61.12	15.6	36.64 x 26.44	6.7
3462W	306605	41 1/2 x 76 1/2	36.66 x 69.12	17.6	36.64 x 30.44	7.7
38210W	310301	45 1/2 x 36 1/2	40.66 x 29.12	8.2	40.64 x 10.44	2.9
3832W	310305	45 1/2 x 40 1/2	40.66 x 33.12	9.4	40.64 x 12.44	3.5
38310W	310401	45 1/2 x 48 1/2	40.66 x 41.12	11.6	40.64 x 16.44	4.6
3842W	310405	45 1/2 x 52 1/2	40.66 x 45.12	12.7	40.64 x 18.44	5.2
3846W	310409	45 1/2 x 56 1/2	40.66 x 49.12	13.9	40.64 x 20.44	5.8
3849W	310500	45 1/2 x 59 1/2	40.66 x 52.12	14.7	40.64 x 21.94	6.2
3852W	310505	45 1/2 x 64 1/2	40.66 x 57.12	16.1	40.64 x 24.44	6.9
3856W	310509	45 1/2 x 68 1/2	40.66 x 61.12	17.3	40.64 x 26.44	7.5
3862W	310605	45 1/2 x 76 1/2	40.66 x 69.12	19.5	40.64 x 30.44	8.6

\*Please note that these values represent square footage.

**DAYLIGHT OPENING INFORMATION**

**Single Slider**

Stock Sizes	Unit Size W x H	Unobstructed Glass Size W x H	Unobstructed Glass Size Square Footage	Vent Size W x H	Vent Size Square Footage
2020	23 1/2 x 23 1/2	16.12 x 18.60	2.1	10.01 x 18.64	1.3
2030	23 1/2 x 35 1/2	16.12 x 30.60	3.4	10.01 x 30.64	2.1
3020	35 1/2 x 23 1/2	28.12 x 18.60	3.6	16.01 x 18.64	2.1
3030	35 1/2 x 35 1/2	28.12 x 30.60	6.0	16.01 x 30.64	3.4
3040	35 1/2 x 47 1/2	28.12 x 42.60	8.3	16.01 x 42.64	4.7
3050	35 1/2 x 59 1/2	28.12 x 54.60	10.7	16.01 x 54.64	6.1
4020	47 1/2 x 23 1/2	40.12 x 18.60	5.2	22.01 x 18.64	2.8
4030	47 1/2 x 35 1/2	40.12 x 30.60	8.5	22.01 x 30.64	4.7
4040	47 1/2 x 47 1/2	40.12 x 42.60	11.9	22.01 x 42.64	6.5
4050	47 1/2 x 59 1/2	40.12 x 54.60	15.2	22.01 x 54.64	8.4
4120	48 1/2 x 23 1/2	41.12 x 18.60	5.3	22.51 x 18.64	2.9
4130	48 1/2 x 35 1/2	41.12 x 30.60	8.7	22.51 x 30.64	4.8
4140	48 1/2 x 47 1/2	41.12 x 42.60	12.2	22.51 x 42.64	6.7
4150	48 1/2 x 59 1/2	41.12 x 54.60	15.6	22.51 x 54.64	8.5
5020	59 1/2 x 23 1/2	52.12 x 18.60	6.7	28.01 x 18.64	3.6
5030	59 1/2 x 35 1/2	52.12 x 30.60	11.1	28.01 x 30.64	6.0
5040	59 1/2 x 47 1/2	52.12 x 42.60	15.4	28.01 x 42.64	8.3
5050	59 1/2 x 59 1/2	52.12 x 54.60	19.8	28.01 x 54.64	10.6
6020	71 1/2 x 23 1/2	64.12 x 18.60	8.3	34.01 x 18.64	4.4
6030	71 1/2 x 35 1/2	64.12 x 30.60	13.6	34.01 x 30.64	7.2
6040	71 1/2 x 47 1/2	64.12 x 42.60	19.0	34.01 x 42.64	10.1
6050	71 1/2 x 59 1/2	64.12 x 54.60	24.3	34.01 x 54.64	12.9

**End Vent Slider**

Stock Sizes	Unit Size W x H	Unobstructed Glass Size W x H	Unobstructed Glass Size Square Footage	Vent Size W x H	Vent Size Square Footage
6030	71 1/2 x 35 1/2	61.91 x 30.58	13.1	31.52 x 30.64	6.7
6040	71 1/2 x 47 1/2	61.91 x 42.58	18.3	31.52 x 42.64	9.3
6050	71 1/2 x 59 1/2	61.91 x 54.58	23.5	31.52 x 54.64	12.0
7030	83 1/2 x 35 1/2	73.91 x 30.58	15.7	37.52 x 30.64	8.0
7040	83 1/2 x 47 1/2	73.91 x 42.58	21.9	37.52 x 42.64	11.1
7050	83 1/2 x 59 1/2	73.91 x 54.58	28.0	37.52 x 54.64	14.2
8030	95 1/2 x 35 1/2	85.91 x 30.58	18.2	43.52 x 30.64	9.3
8040	95 1/2 x 47 1/2	85.91 x 42.58	25.4	43.52 x 42.64	12.9
8050	95 1/2 x 59 1/2	85.91 x 54.58	32.6	43.52 x 54.64	16.5
9030	107 1/2 x 35 1/2	97.91 x 30.58	20.8	49.52 x 30.64	10.5
9040	107 1/2 x 47 1/2	97.91 x 42.58	29.0	49.52 x 42.64	14.7
9050	107 1/2 x 59 1/2	97.91 x 54.58	37.1	49.52 x 54.64	18.8

\*Please note that these values represent square footage.



**DAYLIGHT OPENING INFORMATION**
**Picture – Vinyl Stock Sizes**

Stock Sizes	Unit Size W x H	Unobstructed Glass Size W x H	Unobstructed Glass Size Square Footage
1810	19 1/2 x 11 1/2	14.64 x 6.64	0.7
1820	19 1/2 x 23 1/2	14.64 x 18.64	1.9
1830	19 1/2 x 35 1/2	14.64 x 30.64	3.1
1832	19 1/2 x 37 1/2	14.64 x 32.64	3.3
1838	19 1/2 x 43 1/2	14.64 x 38.64	3.9
1840	19 1/2 x 47 1/2	14.64 x 42.64	4.3
1844	19 1/2 x 51 1/2	14.64 x 46.64	4.7
1846	19 1/2 x 53 1/2	14.64 x 48.64	4.9
1850	19 1/2 x 59 1/2	14.64 x 54.64	5.6
1852	19 1/2 x 61 1/2	14.64 x 56.64	5.8
1853	19 1/2 x 62 1/2	14.64 x 57.64	5.9
1856	19 1/2 x 65 1/2	14.64 x 60.64	6.2
1860	19 1/2 x 71 1/2	14.64 x 66.64	6.8
1862	19 1/2 x 73 1/2	14.64 x 68.64	7.0
2010	23 1/2 x 11 1/2	18.64 x 6.64	0.9
2020	23 1/2 x 23 1/2	18.64 x 18.64	2.4
2030	23 1/2 x 35 1/2	18.64 x 30.64	4.0
2032	23 1/2 x 37 1/2	18.64 x 32.64	4.2
2038	23 1/2 x 43 1/2	18.64 x 38.64	5.0
2040	23 1/2 x 47 1/2	18.64 x 42.64	5.5
2044	23 1/2 x 51 1/2	18.64 x 46.64	6.0
2046	23 1/2 x 53 1/2	18.64 x 48.64	6.3
2050	23 1/2 x 59 1/2	18.64 x 54.64	7.1
2052	23 1/2 x 61 1/2	18.64 x 56.64	7.3
2053	23 1/2 x 62 1/2	18.64 x 57.64	7.5
2056	23 1/2 x 65 1/2	18.64 x 60.64	7.9
2060	23 1/2 x 71 1/2	18.64 x 66.64	8.6
2062	23 1/2 x 73 1/2	18.64 x 68.64	8.9
3010	35 1/2 x 11 1/2	30.64 x 6.64	1.4
3020	35 1/2 x 23 1/2	30.64 x 18.64	4.0
3030	35 1/2 x 35 1/2	30.64 x 30.64	6.5
3032	35 1/2 x 37 1/2	30.64 x 32.64	6.9
3038	35 1/2 x 43 1/2	30.64 x 38.64	8.2
3040	35 1/2 x 47 1/2	30.64 x 42.64	9.1
3044	35 1/2 x 51 1/2	30.64 x 46.64	9.9
3046	35 1/2 x 53 1/2	30.64 x 48.64	10.4
3050	35 1/2 x 59 1/2	30.64 x 54.64	11.6
3052	35 1/2 x 61 1/2	30.64 x 56.64	12.1
3053	35 1/2 x 62 1/2	30.64 x 57.64	12.3
3056	35 1/2 x 65 1/2	30.64 x 60.64	12.9
3060	35 1/2 x 71 1/2	30.64 x 66.64	14.2
3062	35 1/2 x 73 1/2	30.64 x 68.64	14.6

\*Please note that these values represent square footage.

**Vinyl Stock Sizes continued on page 25.**

DAYLIGHT OPENING INFORMATION

Vinyl Stock Sizes continued from page 24.

Picture – Vinyl Stock Sizes

Stock Sizes	Unit Size W x H	Unobstructed Glass Size W x H	Unobstructed Glass Size Square Footage
4010	47 1/2 x 11 1/2	42.64 x 6.64	2.0
4020	47 1/2 x 23 1/2	42.64 x 18.64	5.5
4030	47 1/2 x 35 1/2	42.64 x 30.64	9.1
4032	47 1/2 x 37 1/2	42.64 x 32.64	9.7
4038	47 1/2 x 43 1/2	42.64 x 38.64	11.4
4040	47 1/2 x 47 1/2	42.64 x 42.64	12.6
4044	47 1/2 x 51 1/2	42.64 x 46.64	13.8
4046	47 1/2 x 53 1/2	42.64 x 48.64	14.4
4050	47 1/2 x 59 1/2	42.64 x 54.64	16.2
4052	47 1/2 x 61 1/2	42.64 x 56.64	16.8
4053	47 1/2 x 62 1/2	42.64 x 57.64	17.1
4056	47 1/2 x 65 1/2	42.64 x 60.64	18.0
4060	47 1/2 x 71 1/2	42.64 x 66.64	19.7
4062	47 1/2 x 73 1/2	42.64 x 68.64	20.3
5010	59 1/2 x 11 1/2	54.64 x 6.64	2.5
5020	59 1/2 x 23 1/2	54.64 x 18.64	7.1
5030	59 1/2 x 35 1/2	54.64 x 30.64	11.6
5032	59 1/2 x 37 1/2	54.64 x 32.64	12.4
5038	59 1/2 x 43 1/2	54.64 x 38.64	14.7
5040	59 1/2 x 47 1/2	54.64 x 42.64	16.2
5044	59 1/2 x 51 1/2	54.64 x 46.64	17.7
5046	59 1/2 x 53 1/2	54.64 x 48.64	18.5
5050	59 1/2 x 59 1/2	54.64 x 54.64	20.7
5052	59 1/2 x 61 1/2	54.64 x 56.64	21.5
5053	59 1/2 x 62 1/2	54.64 x 57.64	21.9
5056	59 1/2 x 65 1/2	54.64 x 60.64	23.0
5060	59 1/2 x 71 1/2	54.64 x 66.64	25.3
5062	59 1/2 x 73 1/2	54.64 x 68.64	26.0

\*Please note that these values represent square footage.

**DAYLIGHT OPENING INFORMATION**
**Picture – Wood Stock Sizes**

Wood Size	Stock Sizes	Unit Size W x H	Unobstructed Glass Size W x H	Unobstructed Glass Size Square Footage
1810W	110100	21 1/2 x 11 1/2	16.64 x 6.64	0.8
1815W	110107	21 1/2 x 18 1/2	16.64 x 13.64	1.6
1817W	110109	21 1/2 x 20 1/2	16.64 x 15.64	1.8
18210W	110301	21 1/2 x 36 1/2	16.64 x 31.64	3.7
1832W	110305	21 1/2 x 40 1/2	16.64 x 35.64	4.1
18310W	110401	21 1/2 x 48 1/2	16.64 x 43.64	5.0
1842W	110405	21 1/2 x 52 1/2	16.64 x 47.64	5.5
1846W	110409	21 1/2 x 56 1/2	16.64 x 51.64	6.0
1849W	110500	21 1/2 x 59 1/2	16.64 x 54.64	6.3
1852W	110505	21 1/2 x 64 1/2	16.64 x 59.64	6.9
1856W	110509	21 1/2 x 68 1/2	16.64 x 63.64	7.4
1862W	110605	21 1/2 x 76 1/2	16.64 x 71.64	8.3
2010W	202100	25 1/2 x 11 1/2	20.64 x 6.64	1.0
2015W	202107	25 1/2 x 18 1/2	20.64 x 13.64	2.0
2017W	202109	25 1/2 x 20 1/2	20.64 x 15.64	2.2
20210W	202301	25 1/2 x 36 1/2	20.64 x 31.64	4.5
2032W	202305	25 1/2 x 40 1/2	20.64 x 35.64	5.1
20310W	202401	25 1/2 x 48 1/2	20.64 x 43.64	6.3
2042W	202405	25 1/2 x 52 1/2	20.64 x 47.64	6.8
2046W	202409	25 1/2 x 56 1/2	20.64 x 51.64	7.4
2049W	202500	25 1/2 x 59 1/2	20.64 x 54.64	7.8
2052W	202505	25 1/2 x 64 1/2	20.64 x 59.64	8.6
2056W	202509	25 1/2 x 68 1/2	20.64 x 63.64	9.1
2062W	202605	25 1/2 x 76 1/2	20.64 x 71.64	10.3
2410W	206100	29 1/2 x 11 1/2	24.64 x 6.64	1.1
2415W	206107	29 1/2 x 18 1/2	24.64 x 13.64	2.3
2417W	206109	29 1/2 x 20 1/2	24.64 x 15.64	2.7
24210W	206301	29 1/2 x 36 1/2	24.64 x 31.64	5.4
2432W	206305	29 1/2 x 40 1/2	24.64 x 35.64	6.1
26310W	206401	29 1/2 x 48 1/2	24.64 x 43.64	7.5
2442W	206405	29 1/2 x 52 1/2	24.64 x 47.64	8.2
2446W	206409	29 1/2 x 56 1/2	24.64 x 51.64	8.8
2449W	206500	29 1/2 x 59 1/2	24.64 x 54.64	9.4
2452W	206505	29 1/2 x 64 1/2	24.64 x 59.64	10.2
2456W	206509	29 1/2 x 68 1/2	24.64 x 63.64	10.9
2462W	206605	29 1/2 x 76 1/2	24.64 x 71.64	12.3
2810W	210100	33 1/2 x 11 1/2	28.64 x 6.64	1.3
2815W	210107	33 1/2 x 18 1/2	28.64 x 13.64	2.7
2817W	210109	33 1/2 x 20 1/2	28.64 x 15.64	3.1
28210W	210301	33 1/2 x 36 1/2	28.64 x 31.64	6.3
2832W	210305	33 1/2 x 40 1/2	28.64 x 35.64	7.1
28310W	210401	33 1/2 x 48 1/2	28.64 x 43.64	8.7
2842W	210405	33 1/2 x 52 1/2	28.64 x 47.64	9.5
2846W	210409	33 1/2 x 56 1/2	28.64 x 51.64	10.3
2849W	210500	33 1/2 x 59 1/2	28.64 x 54.64	10.9
2852W	210505	33 1/2 x 64 1/2	28.64 x 59.64	11.9
2856W	210509	33 1/2 x 68 1/2	28.64 x 63.64	12.7
2862W	210605	33 1/2 x 76 1/2	28.64 x 71.64	14.3
3010W	302100	37 1/2 x 11 1/2	32.64 x 6.64	1.5
3015W	302107	37 1/2 x 18 1/2	32.64 x 13.64	3.1
3017W	302109	37 1/2 x 20 1/2	32.64 x 15.64	3.5
30210W	302301	37 1/2 x 36 1/2	32.64 x 31.64	7.2
3032W	302305	37 1/2 x 40 1/2	32.64 x 35.64	8.1
30310W	302401	37 1/2 x 48 1/2	32.64 x 43.64	9.9
3042W	302405	37 1/2 x 52 1/2	32.64 x 47.64	10.8
3046W	302409	37 1/2 x 56 1/2	32.64 x 51.64	11.7

\*Please note that these values represent square footage.

**Wood Stock Sizes continued on page 27.**

DAYLIGHT OPENING INFORMATION

Wood Stock Sizes continued from page 26.

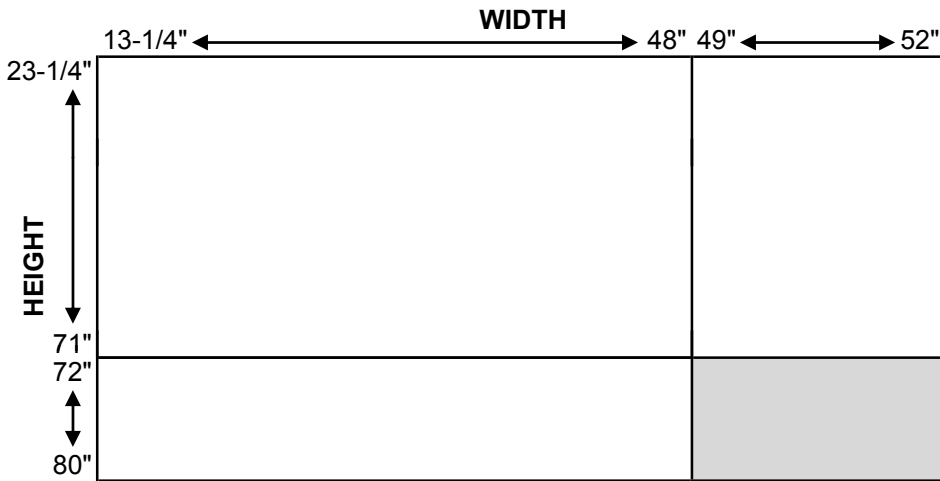
Picture – Wood Stock Sizes

Wood Size	Stock Sizes	Unit Size W x H	Unobstructed Glass Size W x H	Unobstructed Glass Size Square Footage
3049W	302500	37 1/2 x 59 1/2	32.64 x 54.64	12.4
3052W	302505	37 1/2 x 64 1/2	32.64 x 59.64	13.5
3056W	302509	37 1/2 x 68 1/2	32.64 x 63.64	14.4
3062W	302605	37 1/2 x 76 1/2	32.64 x 71.64	16.2
3410W	306100	41 1/2 x 11 1/2	36.64 x 6.64	1.7
3415W	306107	41 1/2 x 18 1/2	36.64 x 13.64	3.5
3417W	306109	41 1/2 x 20 1/2	36.64 x 15.64	4.0
34210W	306301	41 1/2 x 36 1/2	36.64 x 31.64	8.1
3432W	306305	41 1/2 x 40 1/2	36.64 x 35.64	9.1
34310W	306401	41 1/2 x 48 1/2	36.64 x 43.64	11.1
3442W	306405	41 1/2 x 52 1/2	36.64 x 47.64	12.1
3446W	306409	41 1/2 x 56 1/2	36.64 x 51.64	13.1
3449W	306500	41 1/2 x 59 1/2	36.64 x 54.64	13.9
3452W	306505	41 1/2 x 64 1/2	36.64 x 59.64	15.2
3456W	306509	41 1/2 x 68 1/2	36.64 x 63.64	16.2
3462W	306605	41 1/2 x 76 1/2	36.64 x 71.64	18.2
3810W	310100	45 1/2 x 11 1/2	40.64 x 6.64	1.9
3815W	310107	45 1/2 x 18 1/2	40.64 x 13.64	3.9
3817W	310109	45 1/2 x 20 1/2	40.64 x 15.64	4.4
38210W	310301	45 1/2 x 36 1/2	40.64 x 31.64	8.9
3832W	310305	45 1/2 x 40 1/2	40.64 x 35.64	10.1
38310W	310401	45 1/2 x 48 1/2	40.64 x 43.64	12.3
3842W	310405	45 1/2 x 52 1/2	40.64 x 47.64	13.4
3846W	310409	45 1/2 x 56 1/2	40.64 x 51.64	14.6
3849W	310500	45 1/2 x 59 1/2	40.64 x 54.64	15.4
3852W	310505	45 1/2 x 64 1/2	40.64 x 59.64	16.8
3856W	310509	45 1/2 x 68 1/2	40.64 x 63.64	18.0
3862W	310605	45 1/2 x 76 1/2	40.64 x 71.64	20.2
4410W	406100	53 1/2 x 11 1/2	48.64 x 6.64	2.2
4415W	406107	53 1/2 x 18 1/2	48.64 x 13.64	4.6
4417W	406109	53 1/2 x 20 1/2	48.64 x 15.64	5.3
44210W	406301	53 1/2 x 36 1/2	48.64 x 31.64	10.7
4432W	406305	53 1/2 x 40 1/2	48.64 x 35.64	12.0
44310W	406401	53 1/2 x 48 1/2	48.64 x 43.64	14.7
4442W	406405	53 1/2 x 52 1/2	48.64 x 47.64	16.1
4446W	406409	53 1/2 x 56 1/2	48.64 x 51.64	17.4
4449W	406500	53 1/2 x 59 1/2	48.64 x 54.64	18.5
4452W	406505	53 1/2 x 64 1/2	48.64 x 59.64	20.1
4456W	406509	53 1/2 x 68 1/2	48.64 x 63.64	21.5
4462W	406605	53 1/2 x 76 1/2	48.64 x 71.64	24.2
5010W	502100	61 1/2 x 11 1/2	56.64 x 6.64	2.6
5015W	502107	61 1/2 x 18 1/2	56.64 x 13.64	5.4
5017W	502109	61 1/2 x 20 1/2	56.64 x 15.64	6.2
50210W	502301	61 1/2 x 36 1/2	56.64 x 31.64	12.4
5032W	502305	61 1/2 x 40 1/2	56.64 x 35.64	14.0
50310W	502401	61 1/2 x 48 1/2	56.64 x 43.64	17.2
5042W	502405	61 1/2 x 52 1/2	56.64 x 47.64	18.7
5046W	502409	61 1/2 x 56 1/2	56.64 x 51.64	20.3
5049W	502500	61 1/2 x 59 1/2	56.64 x 54.64	21.5
5052W	502505	61 1/2 x 64 1/2	56.64 x 59.64	23.5
5056W	502509	61 1/2 x 68 1/2	56.64 x 63.64	25.0
5062W	502605	61 1/2 x 76 1/2	56.64 x 71.64	28.2

\*Please note that these values represent square footage.

**MINIMUM AND MAXIMUM SIZES**

**Builder Single Hung**



■ Non-manufacturable Sizes

**Builder Single Hung Oriel (60-40)**

Width		Height	
Minimum	Maximum	Minimum	Maximum
13-1/4"	48"	23-1/4"	96"

**Builder Picture**

Width		Height	
Minimum	Maximum	Minimum	Maximum
10-3/4"	96"	10-3/4"	72"

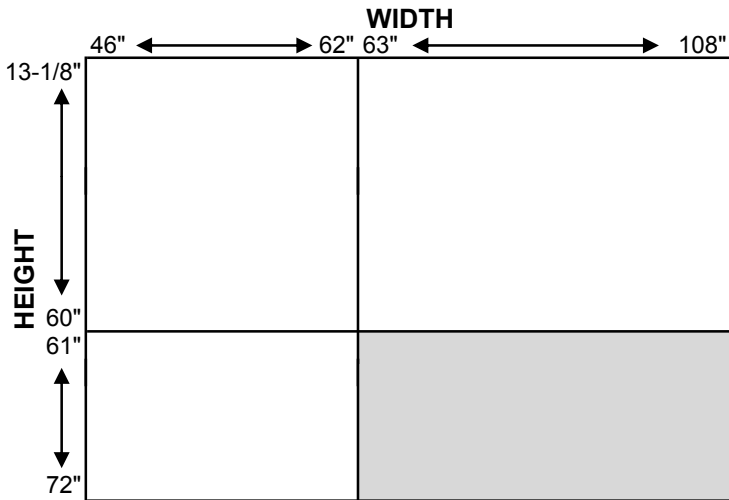
- The minimum and maximum sizes of Picture windows can be reversed.
- Should your window dimensions exceed whole numbers listed, please round up to the next whole number. For example: 25-1/4" should be 26."

**MINIMUM AND MAXIMUM SIZES**

**Builder Slider**

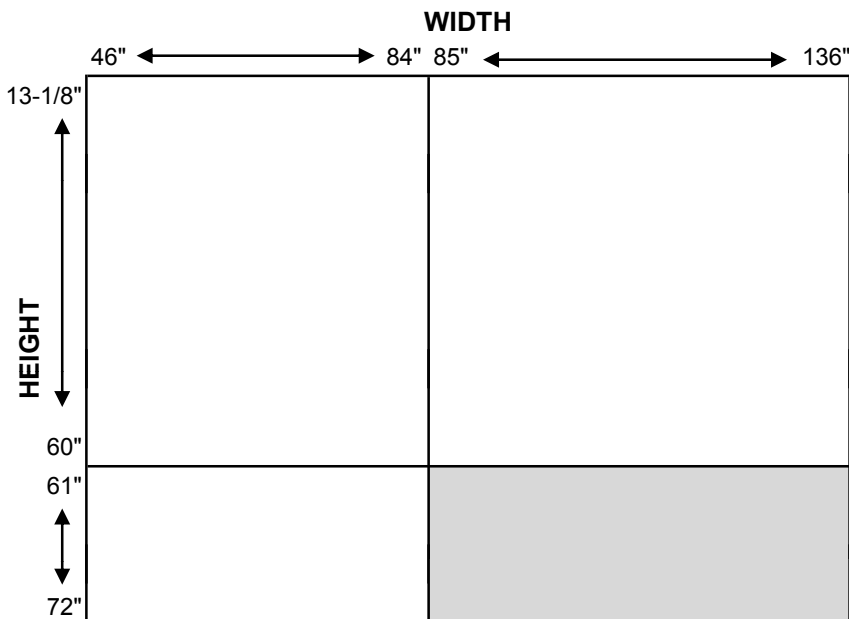
Width		Height	
Minimum	Maximum	Minimum	Maximum
23"	72"	13-1/8"	72"

**Builder 3-lite End Vent Slider (1/3-1/3-1/3)**



■ Non-manufacturable Sizes

**Builder 3-lite End Vent Slider (1/4-1/2-1/4)**

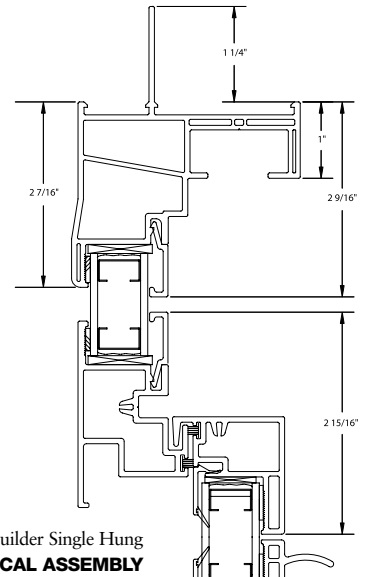
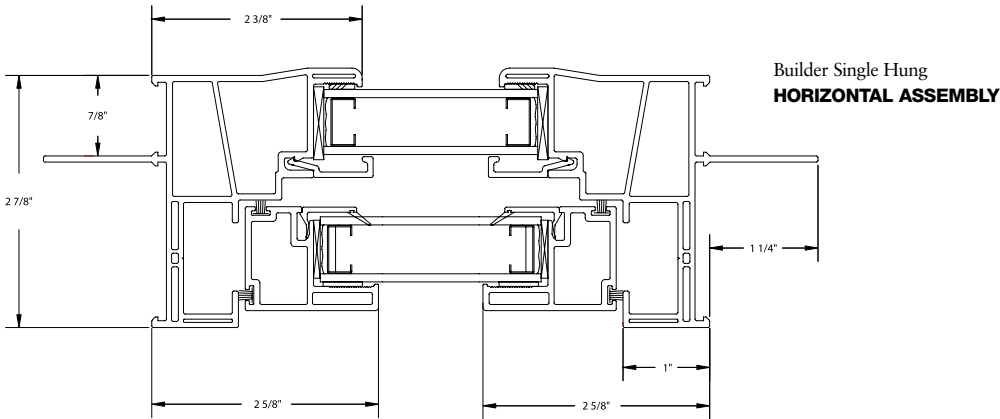


■ Non-manufacturable Sizes

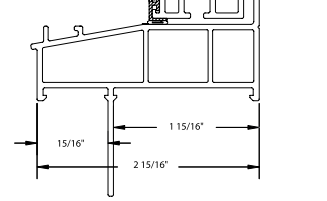
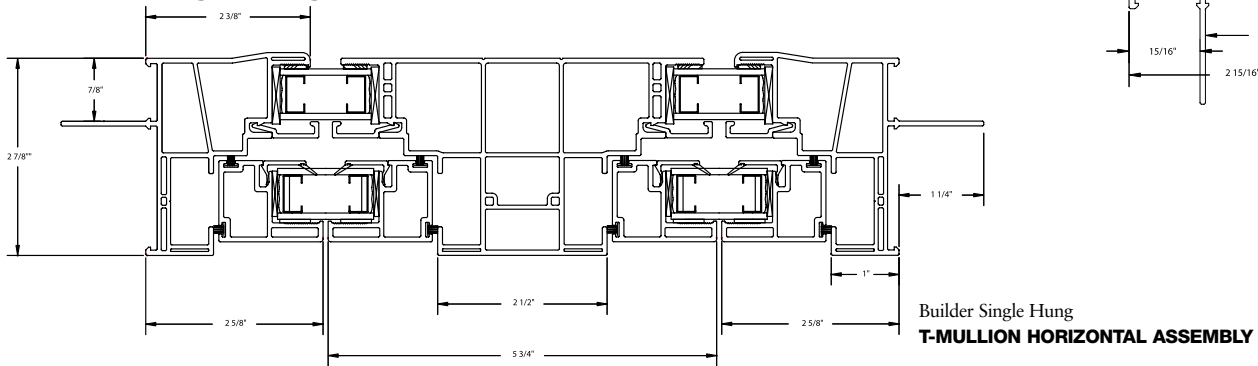
• Should your window dimensions exceed whole numbers listed, please round up to the next whole number. For example: 25-1/4" should be 26."

**ARCHITECTURAL DETAILS**

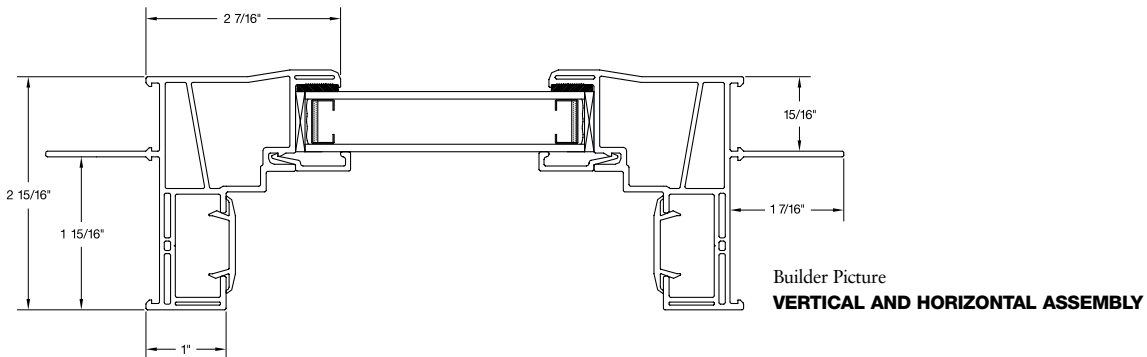
**Builder Single Hung**



**Builder Single Hung**

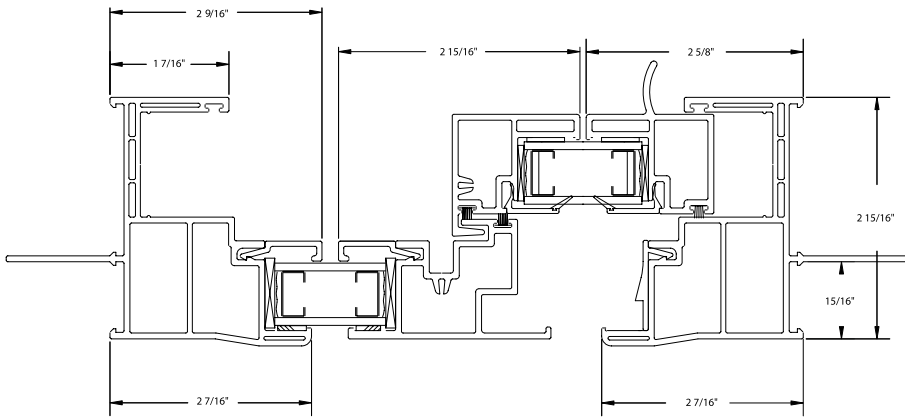


**Builder Picture**

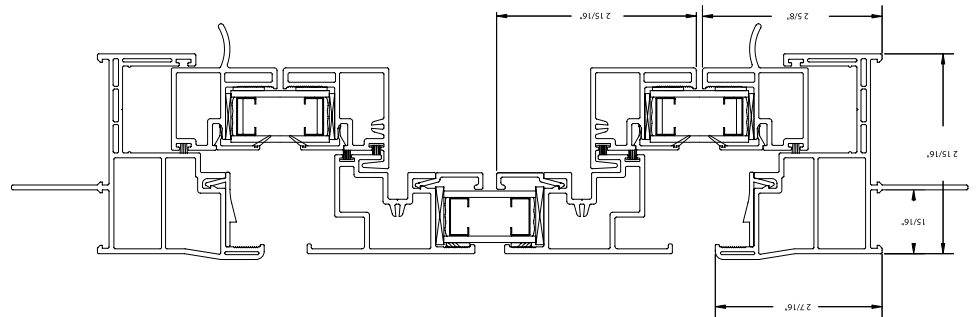


ARCHITECTURAL DETAILS

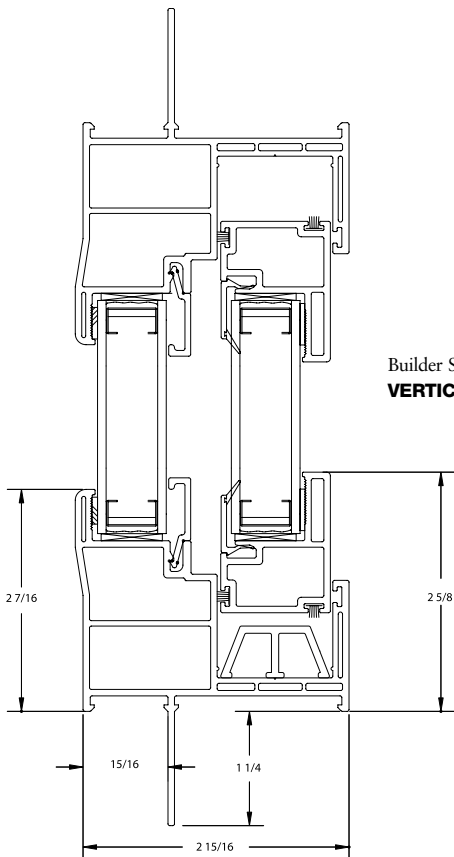
**Builder Single/End Vent Slider**



Builder Single Slider  
**HORIZONTAL ASSEMBLY**



Builder End Vent Slider  
**HORIZONTAL ASSEMBLY**

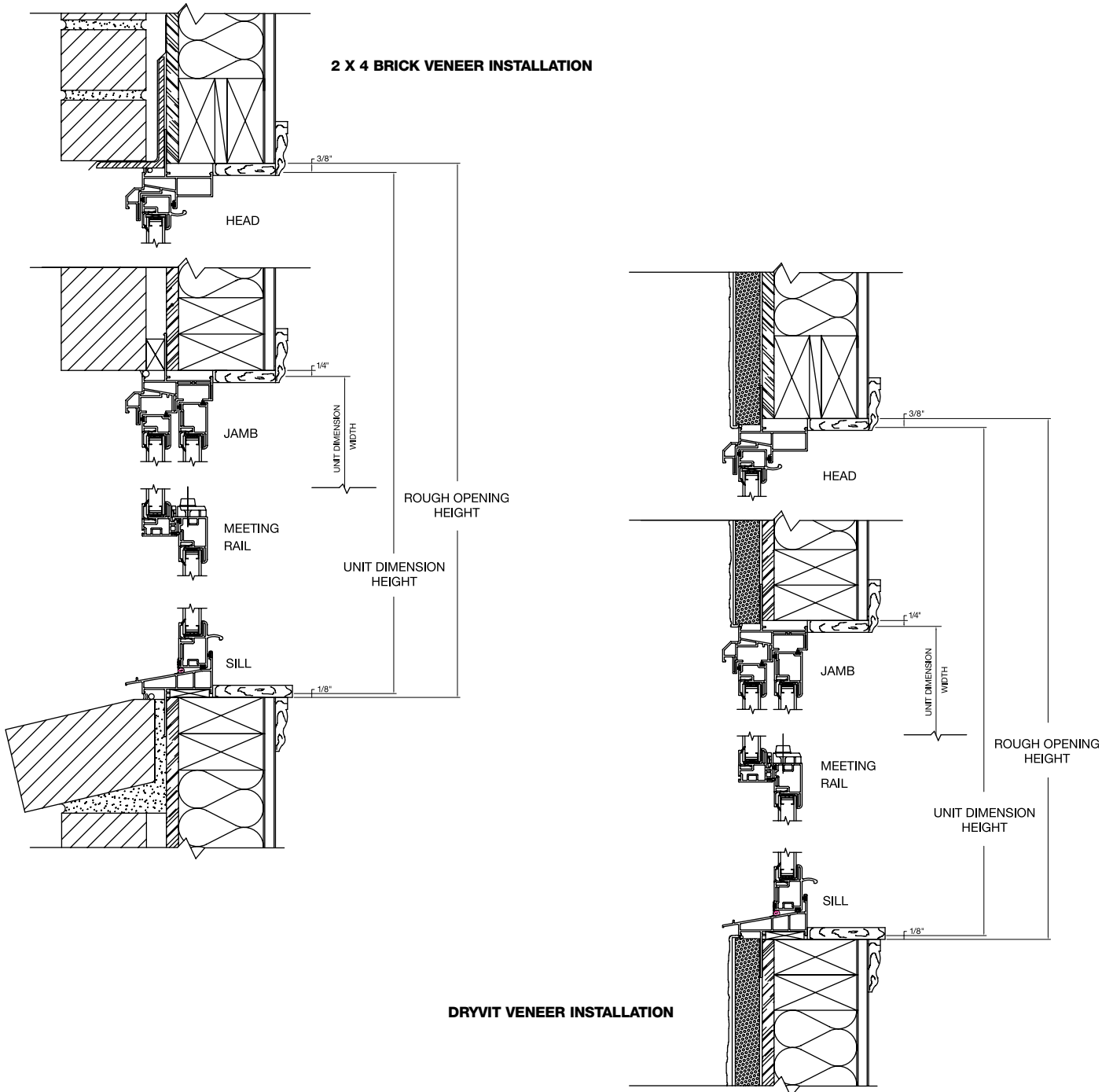


Builder Single/End Vent Slider  
**VERTICAL ASSEMBLY**



**ARCHITECTURAL DETAILS**

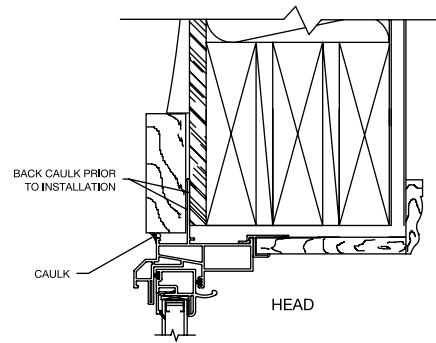
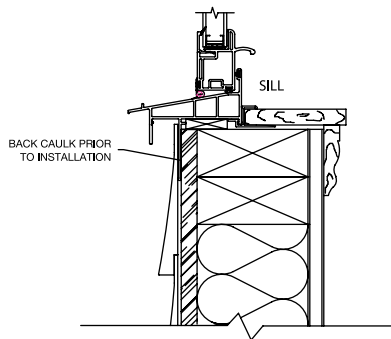
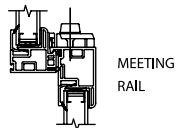
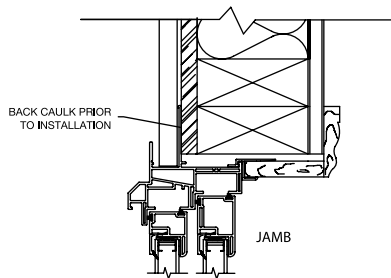
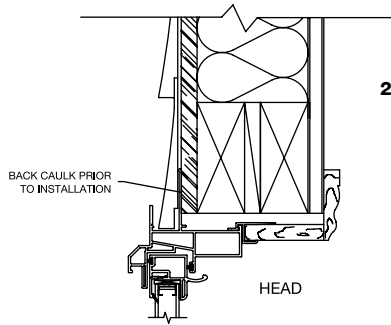
**Builder Installation**



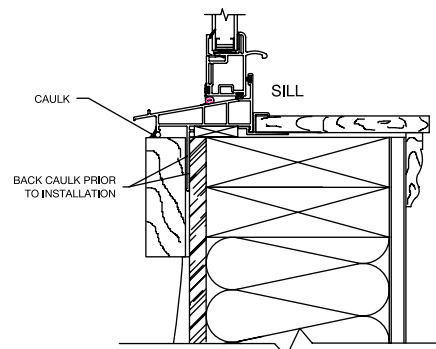
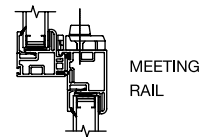
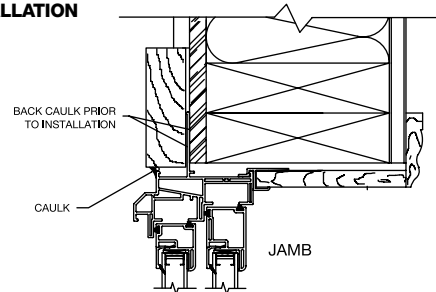
ARCHITECTURAL DETAILS

Builder Installation

2 X 4 WOOD SIDING INSTALLATION

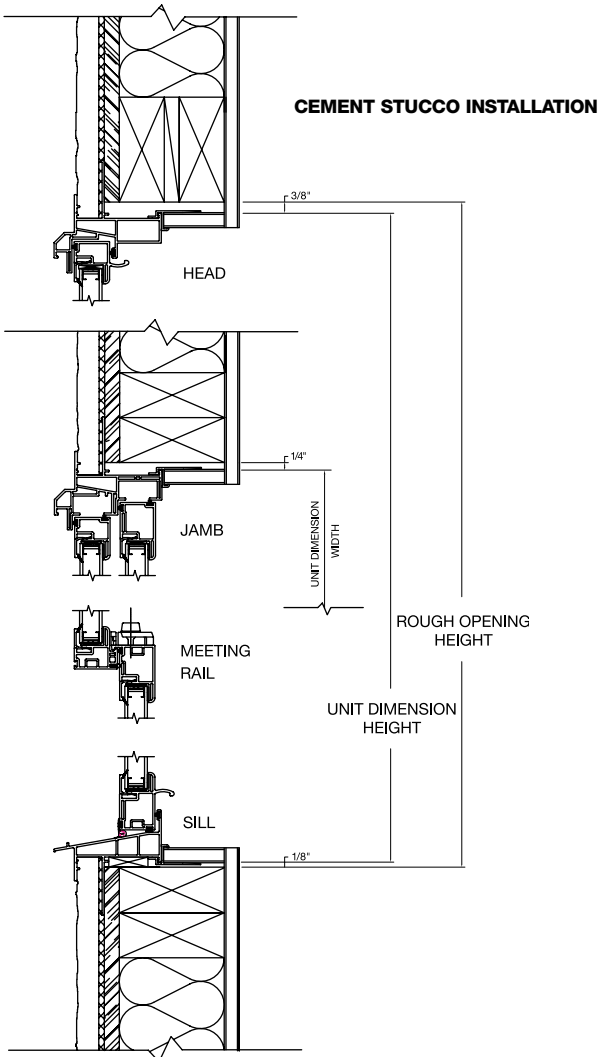


2 X 6 WOOD SIDING INSTALLATION



**ARCHITECTURAL DETAILS**

**Builder Installation**



**TESTING DATA**

**Structural Performance**

Type	Size <sup>1</sup>	Reinforcement Code	Air Infiltration <sup>2</sup>	Operating Force <sup>3</sup>	Water Penetration <sup>4</sup>	Water	Uniform Load <sup>5</sup>	Structural	Overall Rating	Report Number
Picture Window	72 x 60	00	0.01 scfm/ft <sup>2</sup>	N/A	7.50 psf	R50	± 75.0 psf	R50	F-R50	67445.01
Picture Window	74 x 63	00	0.01 scfm/ft <sup>2</sup>	N/A	7.50 psf	R50	± 67.5 psf	R45	F-R45	60133.01
Picture Window	96 x 60	00	0.01 scfm/ft <sup>2</sup>	N/A	6.75 psf	R45	± 67.5 psf	R45	F-R45	55131.01
Picture Window	96 x 72	00	0.04 scfm/ft <sup>2</sup>	N/A	3.75 psf	R25	± 37.5 psf	R25	FW-R25	57627.01
Picture Window Fixed	48 x 60	00	0.04 scfm/ft <sup>2</sup>	N/A	7.50 psf	R50	± 75.0 psf	R50	F-R50	01-49993.03
Picture Window Fixed	96 x 72	00	0.05 scfm/ft <sup>2</sup>	N/A	4.50 psf	R30	± 45.0 psf	R30	F-LC30	59817.01
Single Hung	36 x 62	00	0.12 scfm/ft <sup>2</sup>	11 lbf	6.75 psf	R45	± 67.5 psf	R45	H-R45	55445.02
Single Hung	36 x 74	A7	0.09 scfm/ft <sup>2</sup>	27 lbf	6.00 psf	R40	± 52.5 psf	R35	H-R35	60150.01
Single Hung	40 x 72	E9	0.10 scfm/ft <sup>2</sup>	28 lbf	6.00 psf	R40	± 60.0 psf	R40	H-R40	80023.01
Single Hung	44 x 62	00	0.18 scfm/ft <sup>2</sup>	11 lbf	5.25 psf	R35	± 52.5 psf	R35	H-R30	55445.01
Single Hung	44 x 62	A8	0.18 scfm/ft <sup>2</sup>	11 lbf	5.25 psf	R35	± 52.5 psf	R35	H-R35	55445.02
Single Hung	44 x 63	00	0.09 scfm/ft <sup>2</sup>	27 lbf	5.25 psf	R35	± 52.5 psf	R35	H-R35	60150.01
Single Hung	44 x 63	00	0.10 scfm/ft <sup>2</sup>	22 lbf	3.75 psf	R25	± 37.5 psf	R25	H-R25	71539.01
Single Hung	48 x 72	E9	0.07 scfm/ft <sup>2</sup>	21 lbf	6.00 psf	R40	± 60.0 psf	R40	H-R40	60131.02
Single Hung	48 x 80	A7	0.04 scfm/ft <sup>2</sup>	27 lbf	0.00 psf	LC25	± 0.0 psf	LC25	H-LC25	58195.01
Single Hung	52 x 71	E9	0.10 scfm/ft <sup>2</sup>	28 lbf	5.25 psf	R35	± 52.5 psf	R35	H-R35	59352.01
End Vent	108 x 60	A2	0.11 scfm/ft <sup>2</sup>	14 lbf	3.00 psf	R20	± 30.0 psf	R20	HS-R20	55132.02
End Vent	136 x 63	A2	0.07 scfm/ft <sup>2</sup>	22 lbf	2.86 psf	R15	± 22.5 psf	R15	HS-R15	70504.01
End Vent	84 x 72	A2	0.11 scfm/ft <sup>2</sup>	14 lbf	3.00 psf	R20	± 30.0 psf	R20	HS-R20	55132.02
Slider	72 x 72	A2	0.51 scfm/ft <sup>2</sup>	21 lbf	3.00 psf	R20	± 30.0 psf	R20	HS-R20	58296.01

Units shown in bold italics sold in specialty markets only. Not available everywhere.

\*Glass must be tempered.

**TEST REPORTS ARE AVAILABLE UPON REQUEST**

All units tested in accordance with AAMA/NWDA 101/I.S.2-97, and include a welded corner test, for which all units either met or exceeded the standards, and a deglazing test, for which all units either met or exceeded the standards.

- 1** - Sizes are certified up to and including the sizes listed.
- 2** - Air infiltration is based upon static pressure of 1.57 psf (25 mph). Air infiltration shall not exceed 0.3 standard cubic feet per minute (scfm) per square foot.
- 3** - Operating force listed is an average of the forces required to open and close the unit.  
The maximum allowable pound force is 30 lbf for vertical Sliders and 20 lbf for horizontal Sliders.
- 4** - The minimum water resistance test pressure is 2.86 psf for an entry level R15 water rating, 3.75 psf for an entry level LC25 water rating, and 4.50 psf for an entry level C30 water rating.
- 5** - The minimum structural test pressure is 22.5 psf for an entry level R15 structural rating, 37.5 psf for an entry level LC25 structural rating, and 45.0 psf for an entry level C30 structural rating.

**NOTES:**

SPECIAL MANUFACTURING REQUIREMENTS, (FOR EXAMPLE, REINFORCEMENT STRENGTH, GLASS STRENGTH, ETC.) MAY BE NECESSARY TO MEET THE DESIGN PRESSURE LISTED. PLEASE SPECIFY DESIGN PRESSURE REQUIRED WHERE APPLICABLE.

PLEASE CONSULT YOUR SIMONTON REPRESENTATIVE FOR AVAILABILITY OF SIZES. FACTORS SUCH AS HARDWARE RELIABILITY, SHIPPING, CONSISTENCY IN OPERATING FORCE AND SECURING THE UNIT PROPERLY MAY LIMIT THE UNIT SIZE.

ORIEL SIZES SHOWN ARE 60/40 UNLESS SPECIFIED OTHERWISE.

**TESTING DATA**
**Thermal Performance**

Data pertains to units with no grids.

Type	Glazing <sup>1</sup>	Glazing Lay-ers	Gas	Spacer System	IG Thickness	U-Factor <sup>4</sup>		R-value	
						Total Unit	Center of Glass <sup>2,3</sup>	Total Unit	Center of Glass <sup>2,3</sup>
Picture Window	Clear/Clear	2	Air	Intercept Spacer	3/4"	0.49	0.49	2.04	2.04
Picture Window	Low E (SC)/Clear	2	Air	Intercept Spacer	3/4"	0.35	0.32	2.86	3.13
Picture Window	Low E (SC)/Clear	2	Argon	Intercept Spacer	3/4"	0.31	0.26	3.23	3.85
Picture Window	Clear/Clear	2	Air	Super Spacer	3/4"	0.48	0.49	2.08	2.04
Picture Window	Low E (SC)/Clear	2	Air	Super Spacer	3/4"	0.35	0.32	2.86	3.13
Picture Window	Low E (SC)/Clear	2	Argon	Super Spacer	3/4"	0.30	0.26	3.33	3.85
Single Hung	Clear/Clear	2	Air	Intercept Spacer	3/4"	0.49	0.49	2.04	2.04
Single Hung	Low E (SC)/Clear	2	Air	Intercept Spacer	3/4"	0.35	0.32	2.86	3.13
Single Hung	Low E (SC)/Clear	2	Argon	Intercept Spacer	3/4"	0.32	0.26	3.13	3.85
Single Hung	Clear/Clear	2	Air	Super Spacer	3/4"	0.48	0.49	2.08	2.04
Single Hung	Low E (SC)/Clear	2	Air	Super Spacer	3/4"	0.34	0.32	2.94	3.13
Single Hung	Low E (SC)/Clear	2	Argon	Super Spacer	3/4"	0.31	0.26	3.23	3.85
Slider	Clear/Clear	2	Air	Intercept Spacer	3/4"	0.48	0.49	2.08	2.04
Slider	Low E (SC)/Clear	2	Air	Intercept Spacer	3/4"	0.35	0.32	2.86	3.13
Slider	Low E (SC)/Clear	2	Argon	Intercept Spacer	3/4"	0.31	0.26	3.23	3.85
Slider	Clear/Clear	2	Air	Super Spacer	3/4"	0.48	0.49	2.08	2.04
Slider	Low E (SC)/Clear	2	Air	Super Spacer	3/4"	0.34	0.32	2.94	3.13
Slider	Low E (SC)/Clear	2	Argon	Super Spacer	3/4"	0.30	0.26	3.33	3.85

1 - Low E (HC) emissivity coating = 0.154; Low E (SC) emissivity = 0.04.

2 - Center of glass information based on double-strength, dual-pane glass.

3 - All center of glass calculations done using Lawrence Berkeley National Laboratory's Window 4.1 thermal analysis program and NFRC approved spectral data and environmental conditions.

4 - All total unit U-Factors tested in accordance to NFRC 100.

5 - All total unit Visible Transmittance and Solar Heat Gain Coefficient tested in accordance to NFRC 200.

6 - UV Block based on UV transmissions from 300 to 380 nm.

7- The relative humidity percentage measurement applies only to the center of glass. Condensation will form more quickly at the edges of the glass.

**Thermal Performance continued on page 37.**

TESTING DATA

Thermal Performance continued from page 36.

Data pertains to units with no grids.

Type	Glazing <sup>1</sup>	Visible Transmittance <sup>5</sup>		Solar Heat Gain Coefficient <sup>6</sup>		UV Block <sup>4</sup>	Inside Glass Surface Temperature (°F)	Relative Humidity Condensation Point <sup>7</sup>
		Total Unit	Center of Glass <sup>3</sup>	Total Unit	Center of Glass <sup>3</sup>	Center of Glass <sup>2,3</sup>	Center of Glass <sup>2,3</sup>	Center of Glass <sup>2,3</sup>
Picture Window	Clear/Clear	0.66	0.81	0.62	0.75	0.42	0.42	45.4
Picture Window	Low E (SC)/Clear	0.58	0.71	0.32	0.39	0.85	0.85	52.8
Picture Window	Low E (SC)/Clear	0.58	0.71	0.30	0.36	0.85	0.85	55.1
Picture Window	Clear/Clear	0.66	0.81	0.62	0.75	0.42	0.42	45.4
Picture Window	Low E (SC)/Clear	0.58	0.71	0.32	0.39	0.85	0.85	52.8
Picture Window	Low E (SC)/Clear	0.58	0.71	0.30	0.36	0.85	0.85	55.1
Single Hung	Clear/Clear	0.62	0.81	0.58	0.75	0.42	0.42	45.4
Single Hung	Low E (SC)/Clear	0.55	0.71	0.30	0.39	0.85	0.85	52.8
Single Hung	Low E (SC)/Clear	0.55	0.71	0.28	0.36	0.85	0.85	55.1
Single Hung	Clear/Clear	0.62	0.81	0.58	0.75	0.42	0.42	45.4
Single Hung	Low E (SC)/Clear	0.55	0.71	0.30	0.39	0.85	0.85	52.8
Single Hung	Low E (SC)/Clear	0.55	0.71	0.28	0.36	0.85	0.85	55.1
Slider	Clear/Clear	0.62	0.81	0.58	0.75	0.42	0.42	45.4
Slider	Low E (SC)/Clear	0.55	0.71	0.30	0.39	0.85	0.85	52.8
Slider	Low E (SC)/Clear	0.55	0.71	0.28	0.36	0.85	0.85	55.1
Slider	Clear/Clear	0.62	0.81	0.58	0.75	0.42	0.42	45.4
Slider	Low E (SC)/Clear	0.55	0.71	0.30	0.39	0.85	0.85	52.8
Slider	Low E (SC)/Clear	0.55	0.71	0.28	0.36	0.85	0.85	55.1

1 - Low E (HC) emissivity coating = 0.154; Low E (SC) emissivity = 0.04.

2 - Center of glass information based on double-strength, dual-pane glass.

3 - All center of glass calculations done using Lawrence Berkeley National Laboratory's Window 4.1 thermal analysis program and NFRC approved spectral data and environmental conditions.

4 - All total unit U-Factors tested in accordance to NFRC 100.

5 - All total unit Visible Transmittance and Solar Heat Gain Coefficient tested in accordance to NFRC 200.

6 - UV Block based on UV transmissions from 300 to 380 nm.

7 - The relative humidity percentage measurement applies only to the center of glass. Condensation will form more quickly at the edges of the glass.

**TESTING DATA**
**Thermal Performance**

Data pertains to units with grids.

Type	Glazing <sup>1</sup>	Glazing Layers	Gas	Spacer System	IG Thickness	U-Factor <sup>4</sup>		R-value	
						Total Unit	Center of Glass <sup>2,3</sup>	Total Unit	Center of Glass <sup>2,3</sup>
Picture Window	Clear/Clear	2	Air	Intercept Spacer	3/4"	0.51	0.49	1.96	2.04
Picture Window	Low E (SC)/Clear	2	Air	Intercept Spacer	3/4"	0.40	0.32	2.50	3.13
Picture Window	Low E (SC)/Clear	2	Argon	Intercept Spacer	3/4"	0.34	0.26	2.94	3.85
Picture Window	Clear/Clear	2	Air	Super Spacer	3/4"	0.51	0.49	1.96	2.04
Picture Window	Low E (SC)/Clear	2	Air	Super Spacer	3/4"	0.39	0.32	2.56	3.13
Picture Window	Low E (SC)/Clear	2	Argon	Super Spacer	3/4"	0.34	0.26	2.94	3.85
Single Hung	Clear/Clear	2	Air	Intercept Spacer	3/4"	0.49	0.49	2.04	2.04
Single Hung	Low E (SC)/Clear	2	Air	Intercept Spacer	3/4"	0.37	0.32	2.70	3.13
Single Hung	Low E (SC)/Clear	2	Argon	Intercept Spacer	3/4"	0.33	0.26	3.03	3.85
Single Hung	Clear/Clear	2	Air	Super Spacer	3/4"	0.48	0.49	2.08	2.04
Single Hung	Low E (SC)/Clear	2	Air	Super Spacer	3/4"	0.36	0.32	2.78	3.13
Single Hung	Low E (SC)/Clear	2	Argon	Super Spacer	3/4"	0.32	0.26	3.13	3.85
Slider	Clear/Clear	2	Air	Intercept Spacer	3/4"	0.49	0.49	2.04	2.04
Slider	Low E (SC)/Clear	2	Air	Intercept Spacer	3/4"	0.36	0.32	2.78	3.13
Slider	Low E (SC)/Clear	2	Argon	Intercept Spacer	3/4"	0.32	0.26	3.13	3.85
Slider	Clear/Clear	2	Air	Super Spacer	3/4"	0.48	0.49	2.08	2.04
Slider	Low E (SC)/Clear	2	Air	Super Spacer	3/4"	0.35	0.32	2.86	3.13
Slider	Low E (SC)/Clear	2	Argon	Super Spacer	3/4"	0.31	0.26	3.23	3.85

1 - Low E (HC) emissivity coating = 0.154; Low E (SC) emissivity = 0.04.

2 - Center of glass information based on double-strength, dual-pane glass.

3 - All center of glass calculations done using Lawrence Berkeley National Laboratory's Window 4.1 thermal analysis program and NFRC approved spectral data and environmental conditions.

4 - All total unit U-Factors tested in accordance to NFRC 100.

5 - All total unit Visible Transmittance and Solar Heat Gain Coefficient tested in accordance to NFRC 200.

6 - UV Block based on UV transmissions from 300 to 380 nm.

7 - The relative humidity percentage measurement applies only to the center of glass. Condensation will form more quickly at the edges of the glass.

**Thermal Performance continued on page 39.**

TESTING DATA

Thermal Performance continued from page 38.

Data pertains to units with grids.

Type	Glazing <sup>1</sup>	Visible Transmittance <sup>5</sup>		Solar Heat Gain Coefficient <sup>5</sup>		UV Block <sup>4</sup>	Inside Glass Surface Temperature (°F)	Relative Humidity Condensation Point <sup>7</sup>
		Total Unit	Center of Glass <sup>3</sup>	Total Unit	Center of Glass <sup>3</sup>	Center of Glass <sup>2,3</sup>	Center of Glass <sup>2,3</sup>	Center of Glass <sup>2,3</sup>
Picture Window	Clear/Clear	0.59	0.81	0.56	0.75	0.42	0.42	45.4
Picture Window	Low E (SC)/Clear	0.52	0.71	0.29	0.39	0.85	0.85	52.8
Picture Window	Low E (SC)/Clear	0.52	0.71	0.27	0.36	0.85	0.85	55.1
Picture Window	Clear/Clear	0.59	0.81	0.56	0.75	0.42	0.42	45.4
Picture Window	Low E (SC)/Clear	0.52	0.71	0.29	0.39	0.85	0.85	52.8
Picture Window	Low E (SC)/Clear	0.52	0.71	0.27	0.36	0.85	0.85	55.1
Single Hung	Clear/Clear	0.55	0.81	0.52	0.75	0.42	0.42	45.4
Single Hung	Low E (SC)/Clear	0.49	0.71	0.28	0.39	0.85	0.85	52.8
Single Hung	Low E (SC)/Clear	0.49	0.71	0.25	0.36	0.85	0.85	55.1
Single Hung	Clear/Clear	0.55	0.81	0.52	0.75	0.42	0.42	45.4
Single Hung	Low E (SC)/Clear	0.49	0.71	0.28	0.39	0.85	0.85	52.8
Single Hung	Low E (SC)/Clear	0.49	0.71	0.25	0.36	0.85	0.85	55.1
Slider	Clear/Clear	0.55	0.81	0.52	0.75	0.42	0.42	45.4
Slider	Low E (SC)/Clear	0.49	0.71	0.27	0.39	0.85	0.85	52.8
Slider	Low E (SC)/Clear	0.49	0.71	0.25	0.36	0.85	0.85	55.1
Slider	Clear/Clear	0.55	0.81	0.52	0.75	0.42	0.42	45.4
Slider	Low E (SC)/Clear	0.49	0.71	0.27	0.39	0.85	0.85	52.8
Slider	Low E (SC)/Clear	0.49	0.71	0.25	0.36	0.85	0.85	55.1

1 - Low E (HC) emissivity coating = 0.154; Low E (SC) emissivity = 0.04.

2 - Center of glass information based on double-strength, dual-pane glass.

3 - All center of glass calculations done using Lawrence Berkeley National Laboratory's Window 4.1 thermal analysis program and NFRC approved spectral data and environmental conditions.

4 - All total unit U-Factors tested in accordance to NFRC 100.

5 - All total unit Visible Transmittance and Solar Heat Gain Coefficient tested in accordance to NFRC 200.

6 - UV Block based on UV transmissions from 300 to 380 nm.

7 - The relative humidity percentage measurement applies only to the center of glass. Condensation will form more quickly at the edges of the glass.





The information contained is current at the time of printing. Changes to product(s) may have been made since publication. Please consult your sales representative prior to purchasing. Simonton Windows®, ProFinish® and the stylized "S" are registered trademarks of Simonton Building Products, Inc. ©2008 Simonton Building Products, Inc. Printed in U.S.A.