

SKYLINE

CATENARY INSTALLATION

READ BEFORE START

The following instructions are designed to help you ensure a safe and professional installation. To ensure continual improvement, we welcome your feedback on this manual sent to info@ledrabrands.com

Please observe all the following steps and remember to contact your supplier if you have any questions before proceeding with installation.

CONTENTS

This document contains 4 parts:

- 1. WARNINGS (THIS PAGE)
- 2. GENERAL NOTES (PAGE 3)
- 3. MOUNTING HARDWARE (PAGE 4)
- 4. INSTALLATION INSTRUCTIONS (PAGE 5)

EQUIPMENT CHECKLIST

Some of the items you will need include:

- Cutters / Sharp Knife
- Allen keys

All LED Pucks are factory tested for a minimum of 24hrs.

CAUTIONS!

Observe the following cautions.



Read all safety warnings and instructions. Failure to follow instructions may result in personal injury.



Skyline installation should be carried out by skilled personnel only.



Always use ear plugs or ear muffs when drilling to avoid hearing damage.



Do NOT attempt to modify the product. Modifications or tampering with the product may result in void product warranty.



It is essential that you contact us at LERDA Brands prior to installation if you choose to supply your own driver.



Issues arising from a driver not supplied by us will not be covered under warranty.

**WARNING – PLEASE READ ALL INSTRUCTIONS PRIOR TO INSTALLATION
READ AND FOLLOW ALL WARNINGS AND INSTRUCTIONS BEFORE INSTALLING OR MAINTAINING THIS PRODUCT.
TURN OFF POWER PRIOR TO ANY WORK ON THE SYSTEM OR PRODUCT.
DO NOT INSTALL DAMAGED PRODUCT.**

Installing, wiring, and maintenance must be done by qualified persons or a certified electrician in accordance with all local and National Electrical Codes.

Warranty is voided in case of unauthorized modifications and/or improper use.

Save these instructions. Use as reference when service or maintenance is performed.

CAUTION – Do not install any fixture assembly closer than 6 inches (15.24 cm) from any combustible material.

Refer to product label for voltage requirements and properly ground fixture in accordance with all local and national electrical codes.

If building and product supports optional dimming, connect dimming leads to dimming control system (provided by others). Refer to product label for dimming requirements. Isolate dimming wires individually if not in use.

Suitable for WET locations.

De-energize circuit before installation.

General Notes

MOUNTING HARDWARE

- Ensure you use the correct mounting hardware for each mounting point. Our mounting hardware is pre-assembled based specifically on your specification for each mounting point end (see below).

CABLE MANAGEMENT

- We supply approximately 10% more cable than required. For example, for a 20m distance between mounting points, we supply you 2 x 22m cables.
- The un-needed cable can be cut on site with a sharp knife or side-cutters, usually after the system has been tensioned to remove any unwanted sag and the length required for the electrical connection has been considered, so there is no need to be accurate.
- At the mounting point end which does NOT have power connected, the cable is provided pre-fixed with no extra cable hanging out at the end.
- At the mounting point end which DOES have power connected, the extra cable is fed through the fixing block, and this extra cable is then taken to wherever is convenient to make the connection to the power supply, or power feed from the power supply. In the case of a pole mounting point, the neatest approach may be to drill a small hole to the side (or above or below) the mounting plate (with a gland or grommet if preferred) and to run the cables into the hole and down the inside of the pole, to connect with the power supply that is typically housed at the base of the pole.

cable is then taken to wherever is convenient to make the connection to the power supply, or power feed from the power supply. In the case of a pole mounting point, the neatest approach may be to drill a small hole to the side (or above or below) the mounting plate (with a gland or grommet if preferred) and to run the cables into the hole and down the inside of the pole, to connect with the power supply that is typically housed at the base of the pole.

CABLE TENSIONING

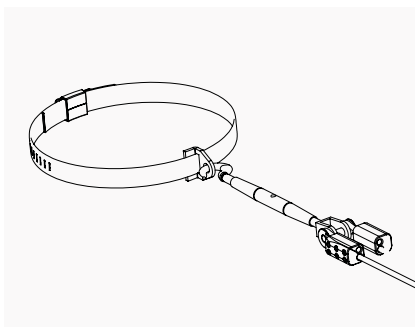
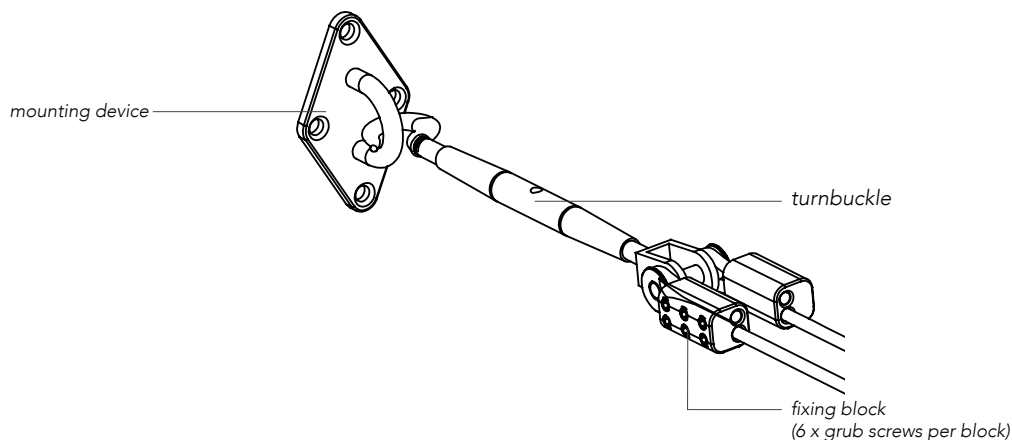
- Turnbuckles should be hand-tightened ONLY. Checking the cable for re-tensioning at a period after installation is strongly recommended.

CONNECTIONS

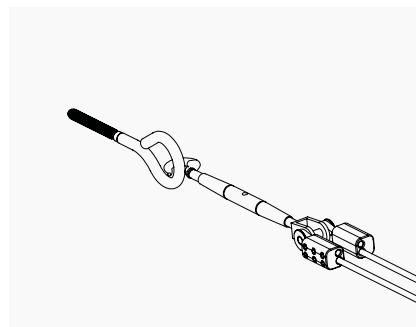
- To make electrical connection with the catenary cable, you can use any method you would use with a normal cable. Options include use of insulation displacement connectors such as Coolsplice, or you can use connectors that require stripped wire such as screw terminal connectors or wire nuts. To strip the catenary wire, simply strip the outer insulating layer, as you would any other wire.

MOUNTING HARDWARE

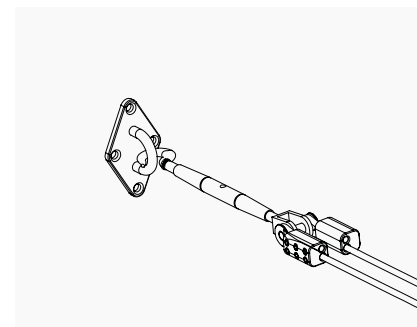
- Pre-assembled mounting hardware sets are supplied to specification, as per requested mounting requirements.
- There are 3 main types of mounting (as pictured): Pole Mount sets, Eyebolt mounting sets, or Universal Plate mount sets
- Eyebolt mount sets are designed specifically for their type of mounting surface: either timber, masonry or metal mounting specific.
- Each mounting hardware set is supplied pre-configured for either a powered-end, or non-powered end of the cable run. Mounting sets are supplied with fixing blocks pre-fixed and secured at the non-powered end / mounting point only. Conversely, at the powered end, fixing blocks are supplied with set screws "loose" to allow for cable feeding, and electrical connection of the cable run.



Pole Mount
Adjustable mount for pole or tree.



Eyebolt Mount:
Timber, Masonry, Metal
Timber, masonry or metal specific sets



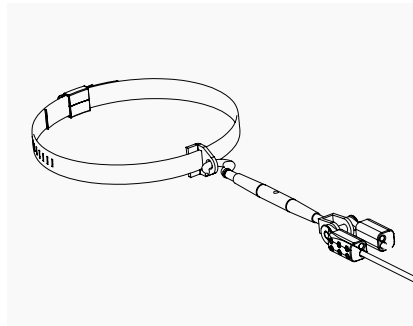
Universal Plate Mount
Use appropriate hardware

Installation Instructions

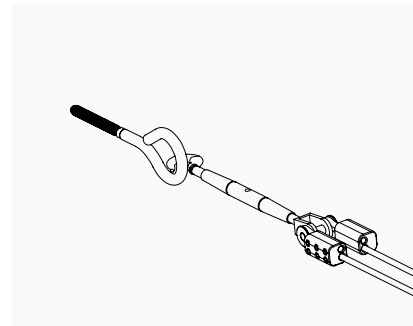
SECURING MOUNTING POINTS

1. Determine the mounting point locations and select the appropriate mounting devices, provided by your supplier, for each surface.

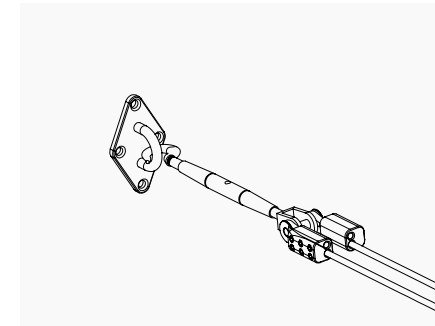
NOTE! In the following instructions we will use the Universal Plate Mount as an example.



Pole Mount
Adjustable mount for pole or tree.



Eyebolt Mount:
Timber, Masonry, Metal
Timber, masonry or metal specific sets



Universal Plate Mount
Use appropriate hardware

Installation Instructions

SECURING MOUNTING POINTS

2. Fix mounting plates to the locations where the catenary will start and end (Fig 2.1).

NOTE! In the following instructions we will use the Universal Plate Mount as an example.



Fig 2.1 Fix each mounting device to the mounting location at each end.

Installation Instructions

SECURING MOUNTING POINTS

3. Attach turnbuckles to each mounting device (one at each end) ensuring that turnbuckles are fully extended (in their longest state) when you begin. Turnbuckles are supplied in their extended state (Fig 3.1)

NOTE! In the following instructions we will use the Universal Plate Mount as an example.



Fig 3.1 Reattach turnbuckles to each mounting device ensuring they are at their fully extended state as pictured.

Installation Instructions

CABLE FIXING & TENSIONING

4. Pull the extra cable through the powered end (the end with extra cable and loose set screws in the fixing blocks) and pull each cable until they are both tight and even (Fig 4.1) Once tight, slide the fixing blocks up to the turnbuckle (Fig 4.2).

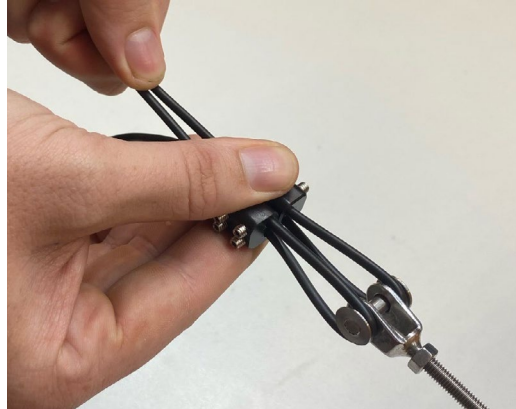


Fig 4.1 Pull extra cabling through the fixing block until they are tight and even in tension (above), then slide the block up to the turnbuckle (above right).

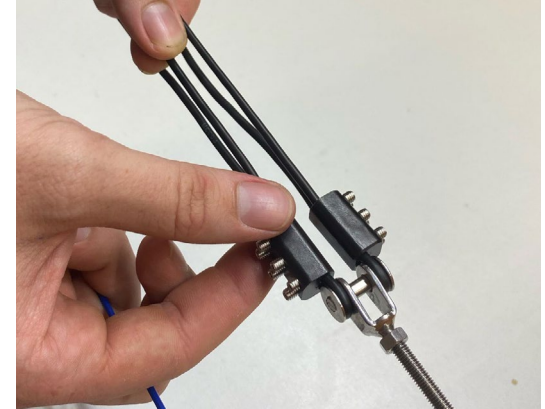


Fig 4.2 Slide the blocks up to the turnbuckle

Installation Instructions

CABLE FIXING & TENSIONING

5. Starting with the middle set screws, screw down the set screws in the fixing blocks to secure cables in position (Fig 5.1).

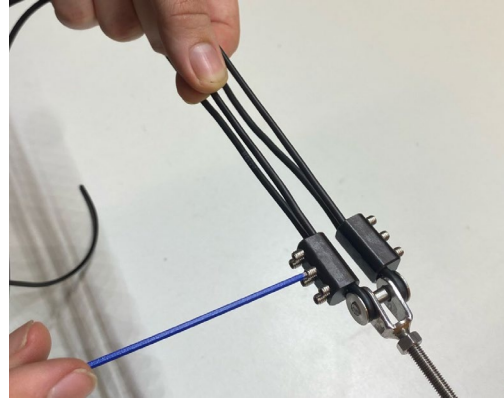


Fig 5.1 Hand tighten set screws on each fixing block to secure the cabling.



Above: Tighten and secure set screws until they are flush with the fixing blocks.

Installation Instructions

CABLE FIXING & TENSIONING

6. Once both ends are fixed off, tension the cable by tightening the turnbuckles at each end. Hand tighten Turnbuckles **ONLY** (use a clockwise motion when facing the mounting device) (Fig 6.1). Lock off the turnbuckles with the lock nuts (Fig 6.2).

*NOTE! Each turnbuckle offers about 80mm of adjustment, so a turnbuckle at both ends with provide over 160mm of tensioning, which is more than needed, typically you might need 10 or 20mm of adjustment to remove any sag out of the cables once the lights have been hung. Turnbuckles should be hand tightened **ONLY***



Fig 6.1 Tension the cable by tightening the turnbuckles at each end. Hand Tighten **ONLY**!



Fig 6.2 Lock off the turnbuckles with the lock nuts

Installation Instructions

CONNECTIONS

7. Run power cables to power supply. (Fig 7.1)

Note! To make electrical connection with the catenary cable, you can use any method you would use with a normal cable. Options include use of insulation displacement connectors such as Coolsplice, or you can use connectors that require stripped wire such as screw terminal connectors or wire nuts. To strip the catenary wire, simply strip the outer insulating layer, as you would any other wire.



Fig 7.1 Run power cables to power supply.

Installation Instructions

CONNECTIONS

8. Align slots in the luminaire head with cables (Fig 8.1), then fit the cap onto the fitting (Fig 8.2), securing the cap with the screw (Fig 8.3).



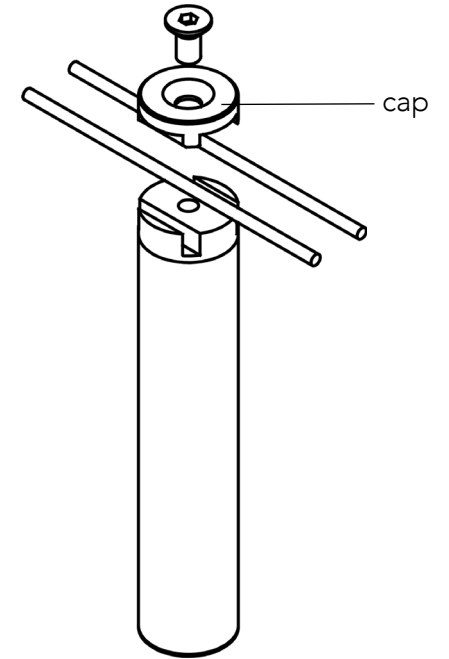
Fig 8.1
Align slots in the luminaire head.



Fig 8.2
Fit the cap



Fig 8.3
Screw on the cap to secure the connection.



Above: Connection is made instantly via its screw-on cap.

Installation Instructions

REVIEW

9. Review the installation periodically checking to ensure cable remains taught and the fixing points remain secure. Some installations may require further tensioning.

