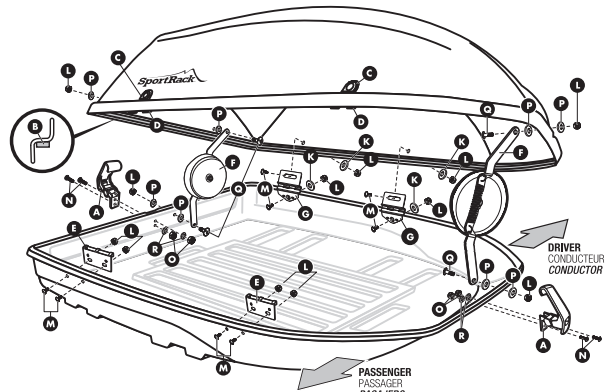
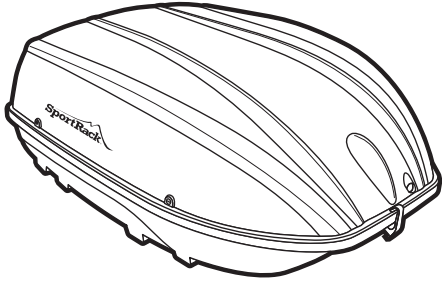


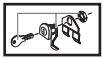
PARTS INCLUDED



A
03347
2x



B
01315
1x



C
03807
2x



D
03808
2x



E
00841
2x



F
03810
2x



G
03396
2x



H
02943
4x



I
04877
8x



J
03918
4x



J
00017
4x



L
00115
12x



M
04103
8x



N
01010
4x



O
00764
4x



P
00070
8x



Q
03948
4x

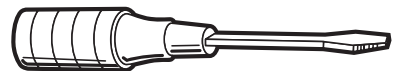


R
03668
4x



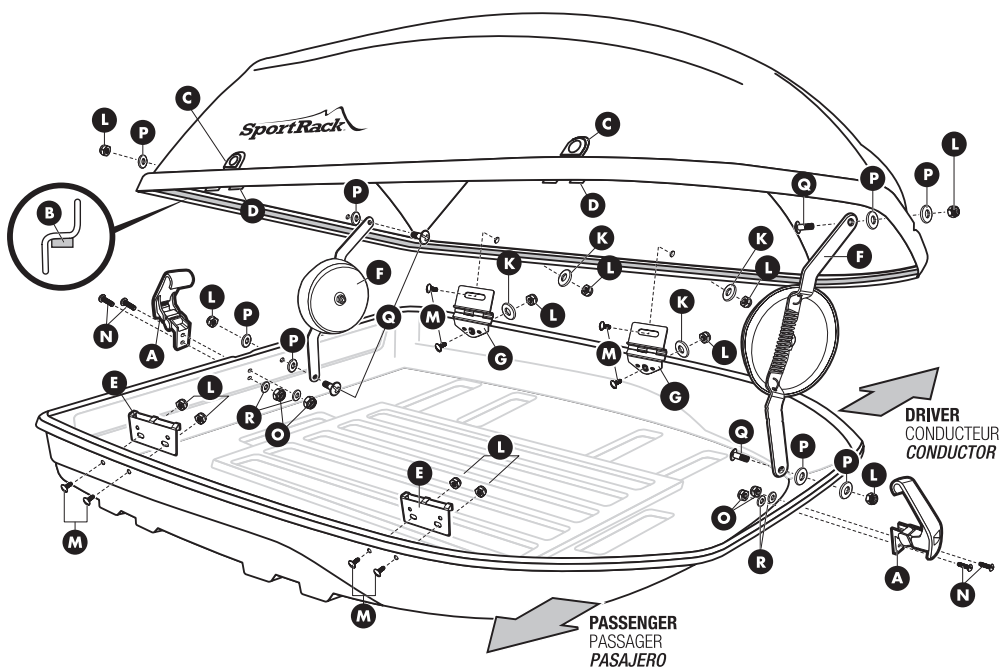
S
10171
1x

TOOLS REQUIRED



- **Cleaning:** Clean with mild soap and water. **Storage:** To prevent warping when storing, close and latch. Do not store items on top of carrier.

PARTS INCLUDED



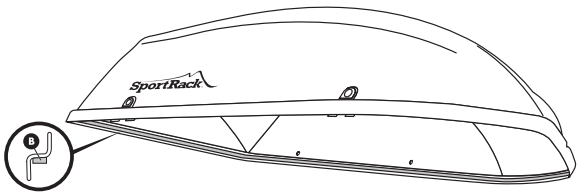
part	description	part number	qty.
—	Hardshell Top	—	1
—	Hardshell Bottom	—	1
—	Master Parts Bag	05305	1

MASTER PARTS BAG

part	description	part number	qty.
A	Snap Latch	03347	2
B	Foam Gasket	01315	1
C	Camlock with Keys	03807	2
D	Lock Locator	03808	2
E	Bottom Lock Bracket	00841	2
F	Support Assembly	03810	2
G	Hinge	03396	2
H	U-Bolt	02943	4
I	Threaded Knobs	04877	8
J	U-Bolt Plate	03918	4
K	1/4" Flat Washer	00017	4
L	1/4"-20 Plastic Insert Nut	00115	12
M	1/4"-20 x 5/8" Screw	04103	8
N	10-24 x 5/8" Screw	01010	4
O	10-24 Plastic Insert Nut	00764	4
P	Large Flat Washer	00070	8
Q	1/4"-20 Universal Drive Screw	03948	4
R	Small Flat Washer	03668	4
S	Vinyl Hole Covers	10171	1

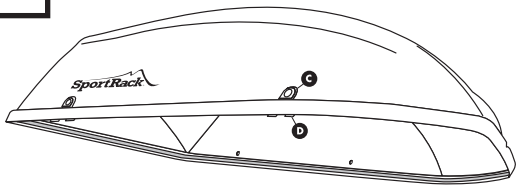
1

TOP ASSEMBLY

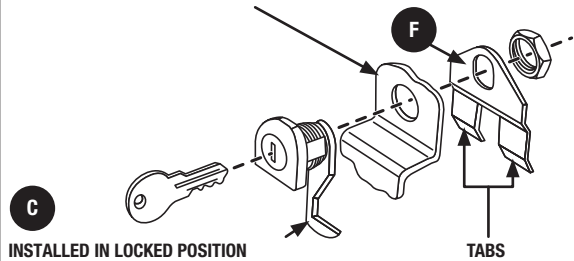


- Attach foam weather stripping (B) to inside of Carrier top. DO NOT CUT! Roll out in one piece and trim excess.

2



CUTAWAY OF HARDSHELL TOP

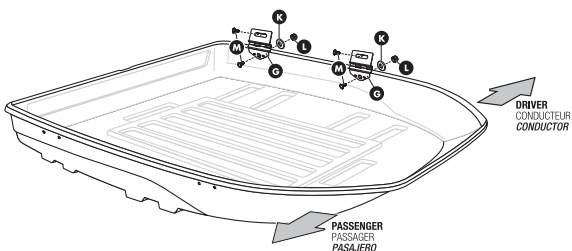


- Install lock assemblies (C).

NOTE: The locks must be in the “locked” position for assembly to the carrier top and for assembly of the lock locators. Remove key to prevent movement of lock hook. Lock locator (D) tabs should be pointing toward the inside of the carrier.

3

BOTTOM ASSEMBLY

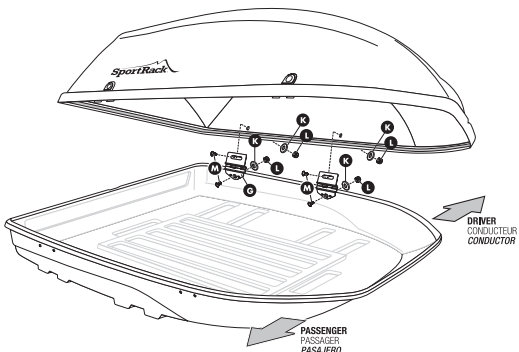


- Attach hinges (G) to carrier bottom with medium screws (M), medium washers (K) and large plastic insert nuts (L). DO NOT fully tighten at this time.

NOTE: Plastic insert nuts are meant to hold very securely. Screws cannot be tightened by hand but must be driven through with a screwdriver and pliers or adjustable wrench.

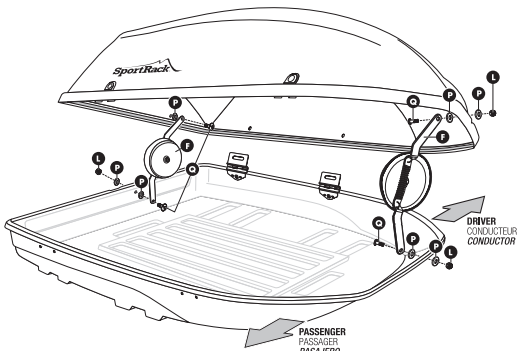
4

ASSEMBLING TOP TO BOTTOM



- While someone holds the top, align the slot in the hinges (G) on the Carrier bottom with the Carrier top and attach medium screws (M), medium flat washers (K) and large plastic insert nuts (L). DO NOT FULLY TIGHTEN AT THIS TIME.

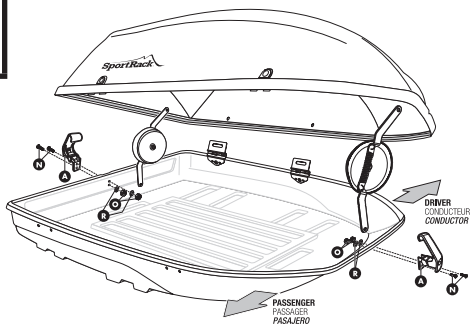
5



- While someone holds the top in an open position, attach the support assemblies (F) with the 2 large screws (Q), 4 large flat washers (P) and 2 large plastic insert nuts (L). Tighten screws until snug, (overtightening could cause binding).

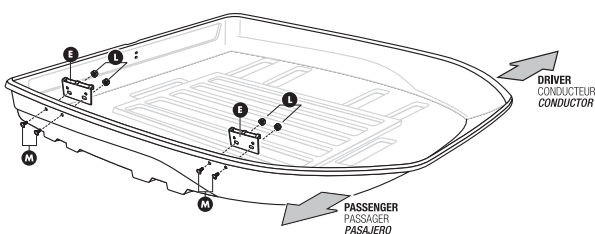
NOTE: White plastic protectors in the center of the support assemblies must be facing inwards.

6



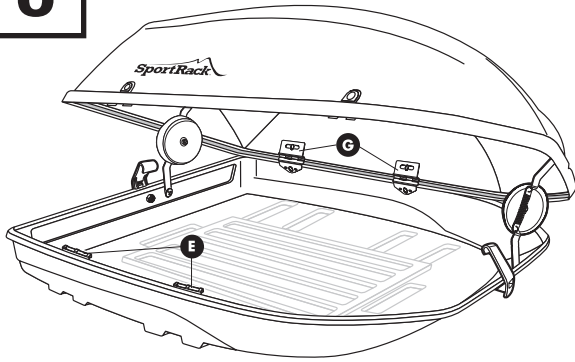
- Attach front and back snap latches (A) to bottom with 4 small screws (N), 4 small flat washers (R) and 4 small plastic insert nuts (O).

7



- Attach lock brackets (E) to Carrier bottom on passenger side with medium screws (M) and large plastic insert nuts (L). Use lower slots in lock brackets. DO NOT FULLY TIGHTEN.

8



- Check for correct alignment of lock assembly by closing and locking the carrier. If the lock properly engages the bottom lock bracket, open the Carrier and tighten the hinge (G) hardware and the lock bracket (E) hardware. If the lock does not align with the lock bracket and does not lock properly, adjust the hinge and lock bracket hardware until they lock. Tighten hardware.

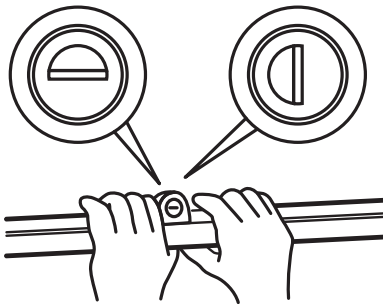
9

- To close Carrier, make sure the locks are in the open (horizontal) position with the key removed and pull Carrier top downward from both ends.

10

OPEN

LOCKED



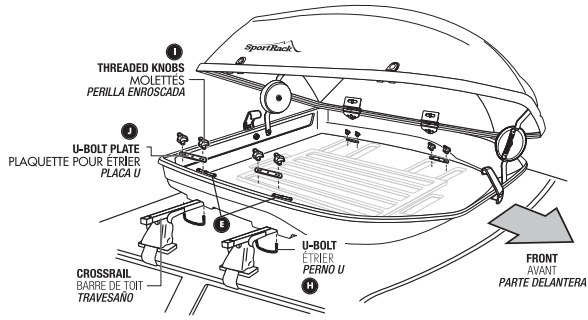
- To lock Carrier, insert key, pull down on flange and turn key to the locked position (vertical). Place snap latches into top flange depressions and push front of snap latches down until they engage. FOR SAFETY, THE CARRIER LOCKS (C) MUST PROPERLY ENGAGE THE BOTTOM LOCK BRACKET (E) AND THE FRONT AND REAR SNAP LATCHES MUST BE ENGAGED WHENEVER THE VEHICLE IS IN MOTION.

NOTE: Some deformation of the plastic top may occur in shipping. It may be necessary to reshape the hardshell bottom by pressing in on the top flange against the bottom flange all around the Carrier and locking the Carrier. Within 48 hours the top and bottom will reshape and fit together more readily. The Carrier may be used during this reshaping period.

CAUTION Check that latches are engaging brackets. Top should not lift up when pulled. All locking devices must be engaged (and keys removed) whenever the vehicle is in motion.

11

U-BOLT MOUNTING



- When carrier is assembled, place on the crossrails, place u-bolts (H) under crossrails and assemble u-bolts through Carrier bottom mounting holes and u-bolt plates (J). Secure with threaded knobs (I). Recheck to see that your crossrails are securely locked into position. For safety the hooks in the carrier locks must properly engage the lock brackets (E) whenever the vehicle is in motion.

12

- Periodically check all mounting hardware for tightness.

13

- Place vinyl covers (S) over any unused holes to help prevent water from entering the carrier.