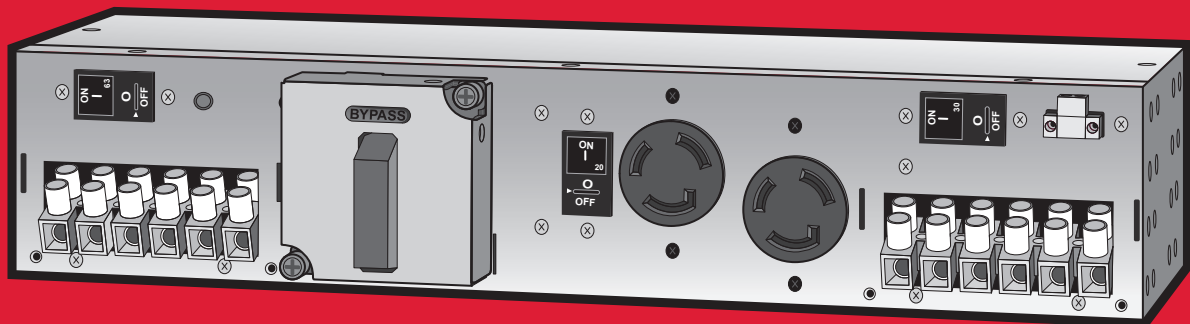


CyberPower®

SMART APP ONLINE UPS SYSTEM

INSTALLATION AND OPERATION MANUAL

MBP63A2



SAVE THESE INSTRUCTIONS

Please read this manual and follow the instructions for installation and operation.

SAFETY INSTRUCTIONS

SAVE THESE INSTRUCTIONS

This manual contains important instructions. Please read and follow all instructions carefully during installation and operation of the unit. Read this manual thoroughly before attempting to unpack, install, or operate the Maintenance Bypass PDU (MBP).

The SmartApp Online MBP63A2 models that are covered in this manual are intended for installation in an environment within 32°F to 104°F (0°C to 40°C), free of conductive contaminants.

SPECIAL SYMBOLS



Warning: High voltage – Risk of Electric Shock.



Caution! Important Instructions: Must always be followed.



Information, advice, help.



See applicable user manual.

SAFETY INSTRUCTIONS CONT.

PERSONAL SAFETY

CAUTION



CAUTION! To reduce the risk of fire, connect only to a circuit provided with 40 amperes (5,000 VA)/50 amperes (6,000 VA)/60 amperes (8,000 VA)/75 amperes (10,000 VA) maximum branch circuit overcurrent protection in accordance with the National Electric Code, ANSI/NFPA 70 and the Canadian Electrical Code, Part I, C22.1.

CAUTION! The MBP must be connected to a grounded AC power outlet with a fuse or circuit breaker protection. DO NOT plug the MBP into an outlet that is not grounded.

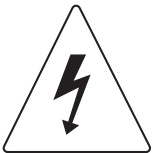
CAUTION! The MBP should be placed near the connected equipment and easily accessible.

CAUTION! The AC outlet, where the MBP is connected, should be close to the unit and easily accessible.

Do not work alone under hazardous conditions.

Input circuit breaker must be "OFF" during the building installation.

RISK OF ELECTRIC SHOCK



WARNING! To prevent the risk of fire or electric shock, install in a temperature and humidity controlled indoor area, free of conductive contaminants (please see specifications for acceptable temperature and humidity range).

WARNING! (No User Serviceable Parts): Risk of electric shock, do not remove the cover. There are no user serviceable parts inside. Seek service from qualified service personnel.

To prevent the risk of fire or electric shock, only use the supplied hardware to attach the mounting brackets.

Remove watches, rings or other metal objects. Use tools with insulated handles.

To prevent the risk of fire or electric shock, install in a temperature and humidity controlled indoor area, free of conductive contaminants (please see specifications for acceptable temperature and humidity range).

To avoid electric shock, turn off and unplug the unit before installing the input/output power cord with a ground wire. Connect the ground wire prior to connecting the line wires!

Connect the Protection Earth (PE) safety conductor before any other cables are connected.

SAFETY INSTRUCTIONS CONT.

PRODUCT SAFETY

RISK OF ELECTRIC SHOCK



The Maintenance Bypass PDU (MBP) covered in this document are permanently-connected equipment and only qualified maintenance personnel may carry out installations.

Wiring must be done by qualified personnel.

DO NOT USE FOR MEDICAL OR LIFE SUPPORT EQUIPMENT! Under no circumstances should this unit be used for medical applications involving life support equipment and/or patient care.

DO NOT USE WITH OR NEAR AQUARIUMS! To reduce the risk of fire, do not use with or near aquariums. Condensation from the aquarium can come in contact with metal electrical contacts and cause equipment to short out.

The unit has a dangerous amount of voltage.

DO NOT INSTALL THE MBP WHERE IT WOULD BE EXPOSED TO DIRECT SUNLIGHT OR NEAR A STRONG HEAT SOURCE!

DO NOT CONNECT DOMESTIC APPLIANCES SUCH AS HAIR DRYERS TO MBP OUTPUT SOCKETS!

A readily accessible disconnect device shall be incorporated in the building installation wiring for AC Input.

Wiring Information: "Use No. 6 AWG, minimum 90°C copper wire and 18 lb-in Torque force when connecting to AC wiring terminal".

TABLE OF CONTENTS

SAFETY INSTRUCTIONS	II
Special Symbols	II
Personal Safety	III
Product Safety	IV
INTRODUCTION	1
Maintenance Bypass PDU (MBP).....	1
What's In The Box.....	3
HARDWARE INSTALLATION	4
Front Panel Description.....	4
Brackets Installation	5
MBP Installation.....	6
ELECTRICAL INSTALLATION	7
Hardwiring The Input/Output Terminals	7
Operations With MBP Detection Cable Installed	12
Operations To Retain EPO & ROO Function	18
TECHNICAL SPECIFICATIONS	24
PRODUCT REGISTRATION	24

INTRODUCTION

The CyberPower Maintenance Bypass PDU (MBP) allows the seamless transfer of an electrical load from UPS power to utility power for uninterrupted operation of connected equipment when performing maintenance, replacing batteries, or installing a new UPS.

The key features include:

- **Power Distribution**
Delivers AC power to servers, equipment, and connected devices via a power distribution unit.
- **Maintenance Bypass**
Qualified personnel can use the bypass feature to disconnect the PDU from the UPS without disrupting power to connected equipment. This feature allows connected equipment to operate seamlessly during maintenance periods, battery replacement, or UPS installation.
- **Manual Bypass Switch**
When the Manual Bypass Switch is turned to Normal, connected equipment is supplied by UPS output. When the Manual Bypass Switch is turned to Bypass, connected equipment is supplied by utility power.
- **Durable Metal Housing**
Protects internal components and resists damage from impact or abrasions within challenging industrial environments. Also extends the life of the product.

COMPATIBILITY LIST FOR CYBERPOWER UPS

OL5KRTHD, OL6KRTHD, OL6KRT, OL8KRT, OL10KRT, OL6KRTE, OL8KRTE, OL10KRTE

INTRODUCTION CONT.

MBP63A2 Only with compatible CyberPower UPS.

If the UPS model name is OL6KRT/OL8KRT/OL10KRT/OL6KRTF/OL8KRTF/OL10KRTF, please check the MCU version* on LCD Panel by the following operations.

1. Press the “ENTER” button to enter the “Main Menu”.
2. Press the “ ▲ ” and “ ▼ ” buttons to scroll to the “Information” option.
3. Press the “ENTER” button to select the “Information” submenu.
4. Press the “ ▲ ” and “ ▼ ” buttons to scroll through the “Information” submenu to check the MCU version*.

If the MCU version* is UE_V3Rn and the number of n is less than 6, (For Example: MCU Ver. = UE_V3R5). Please contact CyberPower for assistance to upgrade the MCU version*.

*MCU version is the UPS Firmware version.

If the MBP Detection Cable is not used, the Firmware is not required to be updated.

If the MBP Detection Cable is installed, the UPS EPO and ROO functions will be disabled.

If the MBP Detection Cable is not installed, the UPS will not automatically transfer to Bypass Mode.

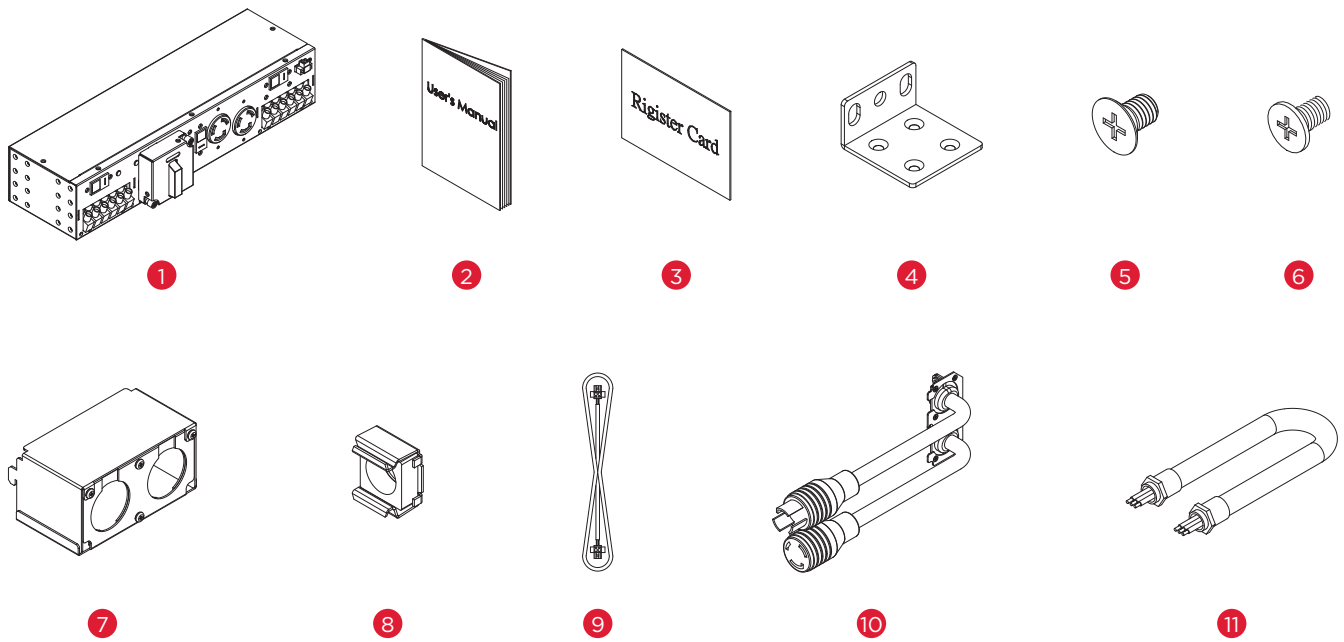
If the UPS is equipped with outlets, those outlets can no longer be used, loads can only be connected to the MBP outlets or the MBP Output terminal blocks.

The UPS should be turned off when the UPS is doing maintenance. If load is connected to the UPS outlet, the load will be lost.

Before turning off the UPS, the MBP needs to be set to bypass to maintain continuous power from utility.

INTRODUCTION CONT.

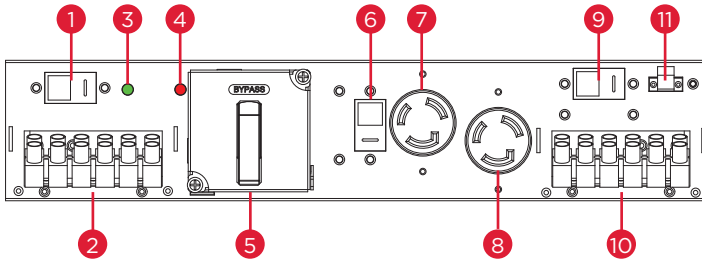
WHAT'S IN THE BOX



ITEM	CONTENT	QTY	ITEM	CONTENT	QTY
1	MBP63A2 (Maintenance Bypass PDU)	1	7	Input/Output terminal block cover	2
2	User's manual	1	8	Cage nut	4
3	Registration card	3	9	MBP detection cable 3.3ft	1
4	Rackmount brackets	2	10	L6-30P power cord 3.3ft with cord grip for MBP63A2 to 6K UPS output connection and L6-30R power cord 3.3ft with cord grip for MBP63A2 to 5K/6K UPS input connection	1
5	Flat head screws: M4X6L	4	11	Conduits with internal wires for MBP63A2 to 6K/8K/10K UPS input/output 3ft	2
6	Pan head screws: M5X8L	4			

HARDWARE INSTALLATION

MBP FRONT PANEL DESCRIPTION



1. UPS Input switch
2. Input/Output terminal blocks connect to UPS
3. "Bypass" Red light LED indicator (Bypass source ready)
4. "Normal" Green light LED indicator (UPS source ready, OK to switch)
5. Maintenance bypass switch
6. 20 A circuit breaker for L6-20 outlet
7. L6-20 outlet
8. L6-30 outlet
9. 30 A circuit breaker for L6-30 outlet
10. Input terminal blocks connect to utility and Output terminal blocks connect to equipment load
11. MBP detection port

HARDWARE INSTALLATION CONT.

The MBP can be mounted in a rackmount or tower orientation. Please follow the instructions below for the respective mounting methods.

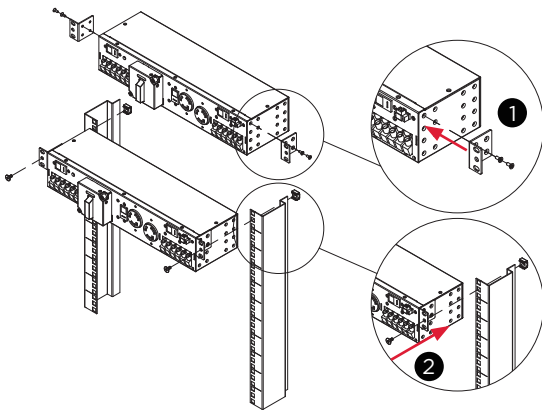
Step 1. Brackets Installation

Attach the 2 brackets to the MBP using the provided screws M4X6L * 4pcs.

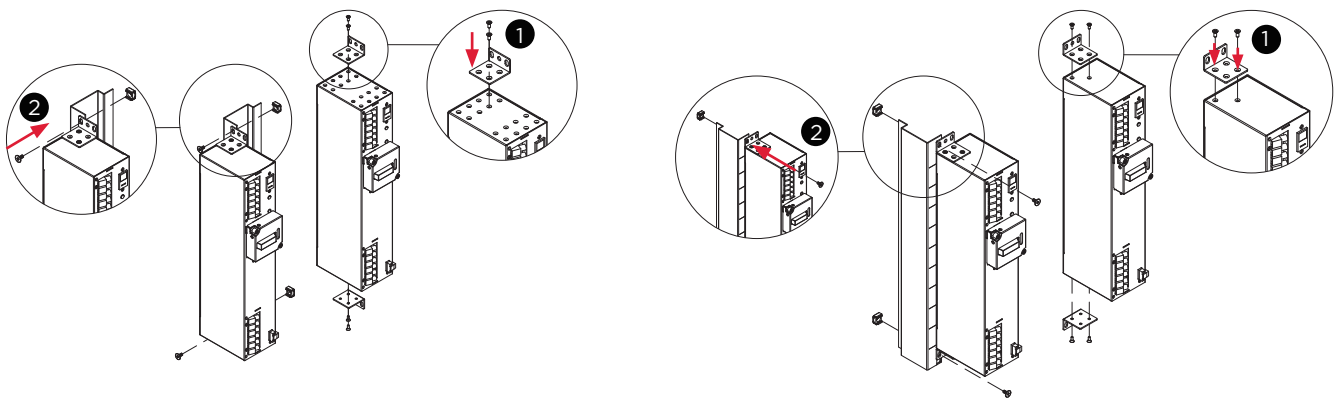
Step 2. MBP Installation

Secure the MBP to rack, CyberPower rack-mounted UPS or a wall with the provided screws M5X8L * 2pcs.

MBP mounted horizontally in a rackmount



MBP mounted vertically in a rackmount



HARDWARE INSTALLATION CONT.

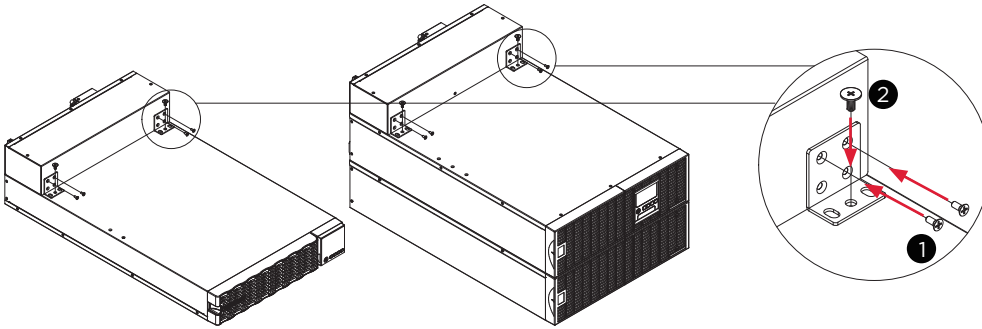
Step 1. Brackets Installation

Attach the 2 brackets to the MBP using the provided screws M4X6L * 4pcs.

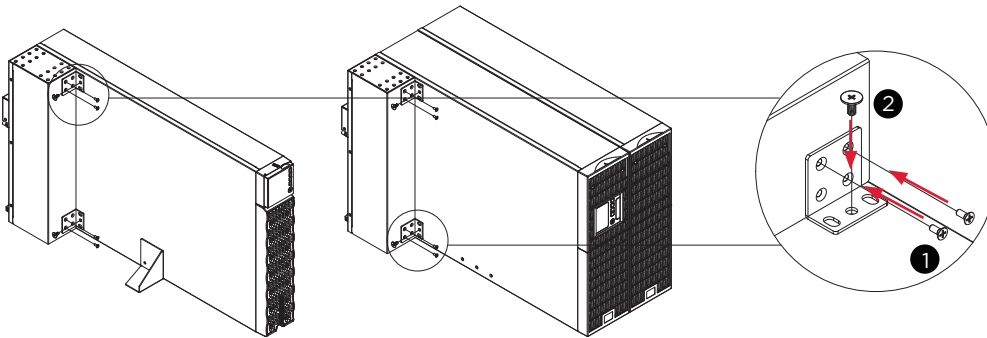
Step 2. MBP Installation

Secure the MBP to rack, CyberPower rack-mounted UPS or a wall with the provided screws M5X8L * 2pcs.

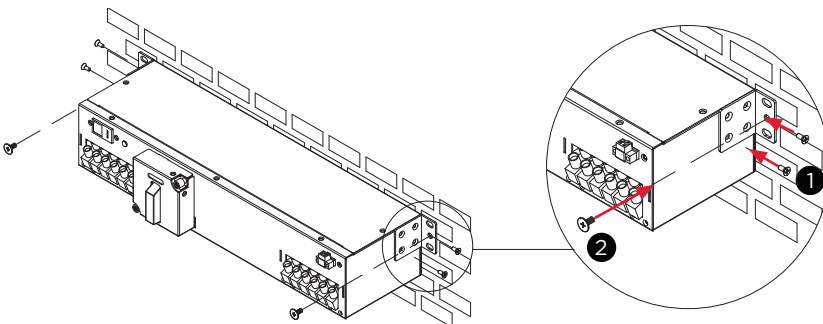
MBP mounted horizontally with a CyberPower UPS



MBP mounted with a CyberPower UPS in tower mode



Wall-mounted



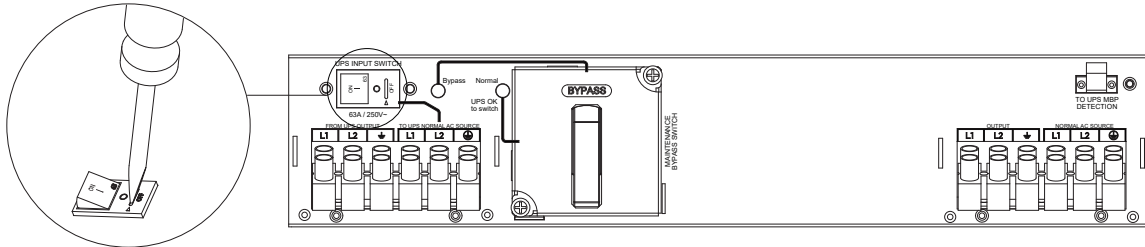
Important! To prevent the risk of fire or electric shock, only use the supplied hardware to attach the mounting brackets.

ELECTRICAL INSTALLATION

HARDWIRING THE INPUT/OUTPUT TERMINALS



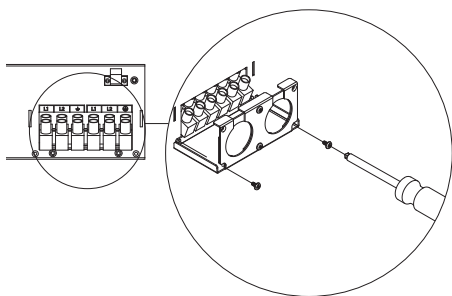
Important! Set the UPS INPUT switch of the MBP to the “O” (off) position before hardwire connecting.



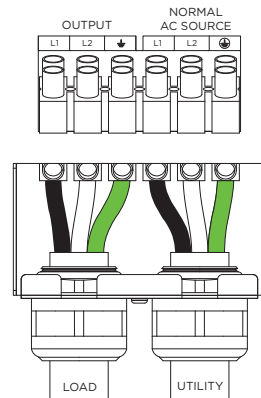
CONNECT MBP TO UTILITY AND LOAD CONFIGURATION

1. Attach the terminal block bottom cover and tighten the 2 screws to fix the terminal block bottom cover on the MBP.
2. Insert the output cable through the appropriate cord grip and connect the 3 wires L1, L2 and Ground to the “OUTPUT” MBP terminal block (for connection to Load).
3. Insert the input cable through the appropriate cord grip and connect the 3 wires L1, L2 and Ground to the “NORMAL AC SOURCE” MBP terminal blocks (for connection to Utility).
4. Attach the terminal block Top cover and tighten the 2 screws to cover terminal.
5. Tighten the cord grips.

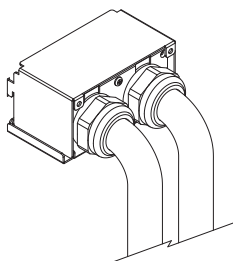
1



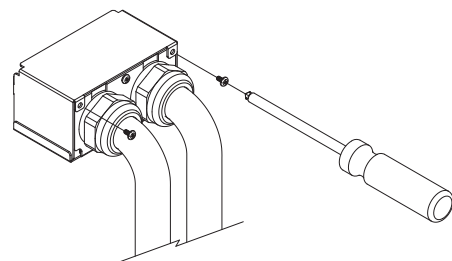
2 3



4



5



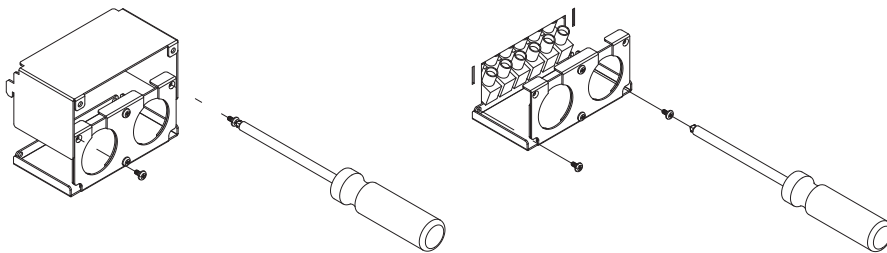
ELECTRICAL INSTALLATION CONT.

CONNECT MBP TO 8K/10K UPS INPUT/OUTPUT

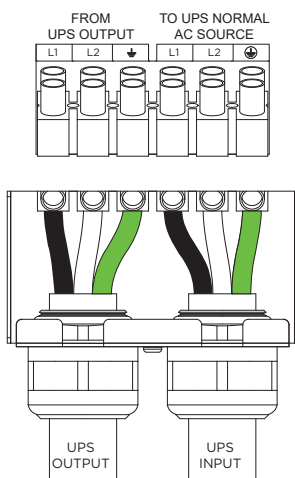
CONNECT INTERNAL WIRES THROUGH CONDUITS FOR MBP63A2 TO UPS

1. Separate the top and bottom covers by loosening the 2 screws to separate the top and bottom covers. Attach the terminal block bottom cover and tighten the 2 screws to fix the terminal block bottom cover on the MBP.
2. Insert the output cable through the conduits and connect the 3 wires L1, L2 and Ground to the "FROM UPS OUTPUT" terminal block (for connection to UPS output).
3. Insert the input cable through the conduits and connect the 3 wires L1, L2 and Ground to the "UPS NORMAL AC SOURCE" MBP terminal blocks (for connection to UPS input).
4. Attach the terminal block Top cover and tighten the 2 screws to cover terminal.
5. Tighten the cord grips.

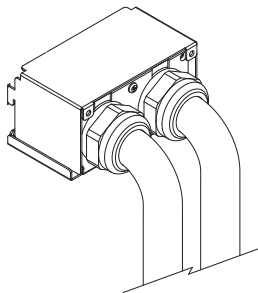
1



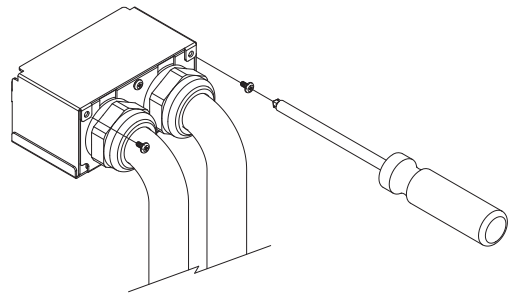
2 3



4



5

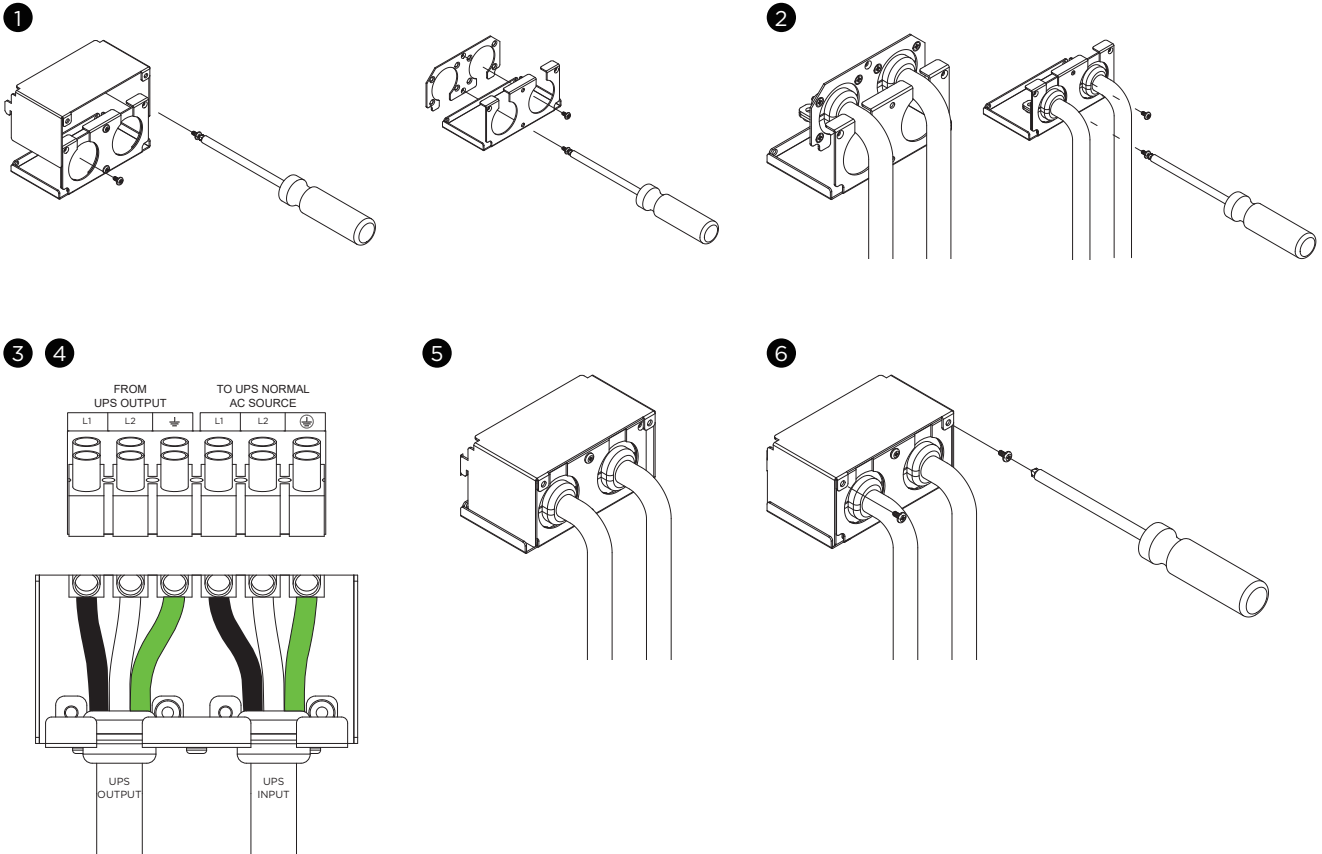


ELECTRICAL INSTALLATION CONT.

CONNECT L6-30P POWER CORD FOR MBP63A2 TO 5K/6K UPS OUTPUT CONNECTION AND CONNECT L6-30R POWER CORD FOR MBP63A2 TO 6K UPS INPUT CONNECTION

MBP63A2 to 5K/6K UPS input and output connection should use L6-30R/L6-30P power cord which is an accessory in box.

1. Separate the top and bottom covers by loosening the 2 screws that connect the top and bottom covers.
2. Put the L6-30P power cord and the L6-30R power cord into the bottom cover. Screw the power cord cover to the bottom cover and attach the terminal block bottom cover to the MBP.
3. Connect the 3 wires L1, L2 and Ground of L6-30P power cord to the "FROM UPS OUTPUT" terminal block (for connection to UPS output).
4. Connect the 3 wires L1, L2 and Ground L6-30R power cord to the "UPS NORMAL AC SOURCE" MBP terminal blocks (for connection to UPS input).
5. Attach the terminal block Top cover and tighten the 2 screws to cover terminal.
6. Tighten the cord grips.

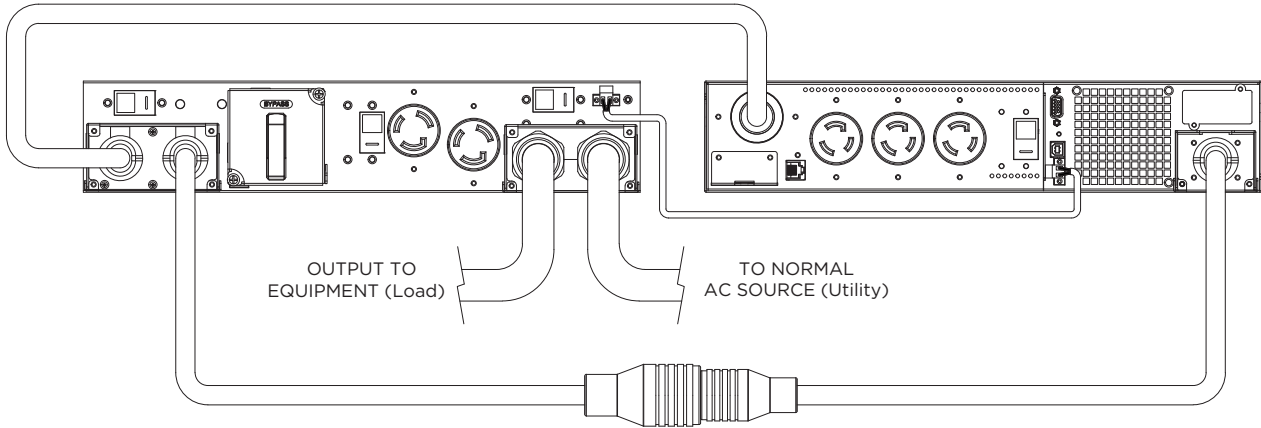


ELECTRICAL INSTALLATION CONT.

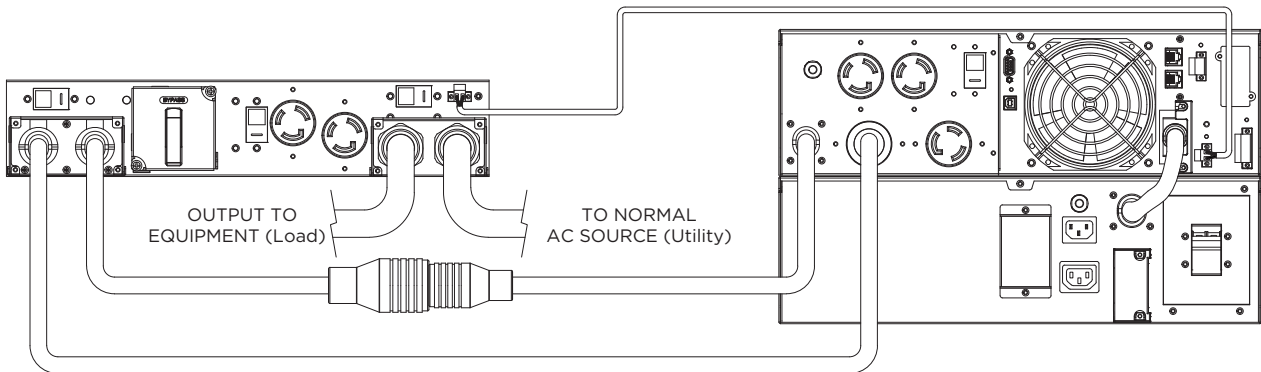
CONNECTING THE MAINTENANCE BYPASS PDU TO A UPS

Connect the input/output as shown in the following diagrams for different models

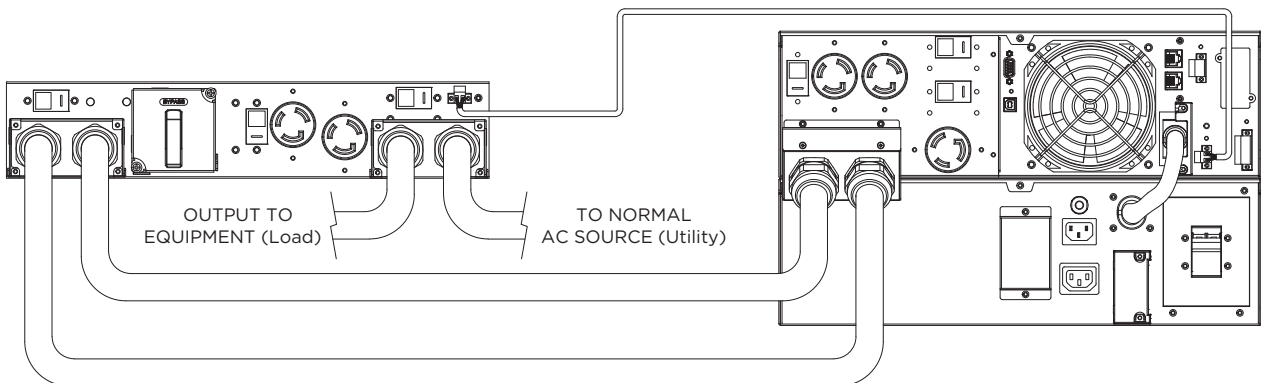
OL5KRTHD/OL6KRTHD



OL6KRT



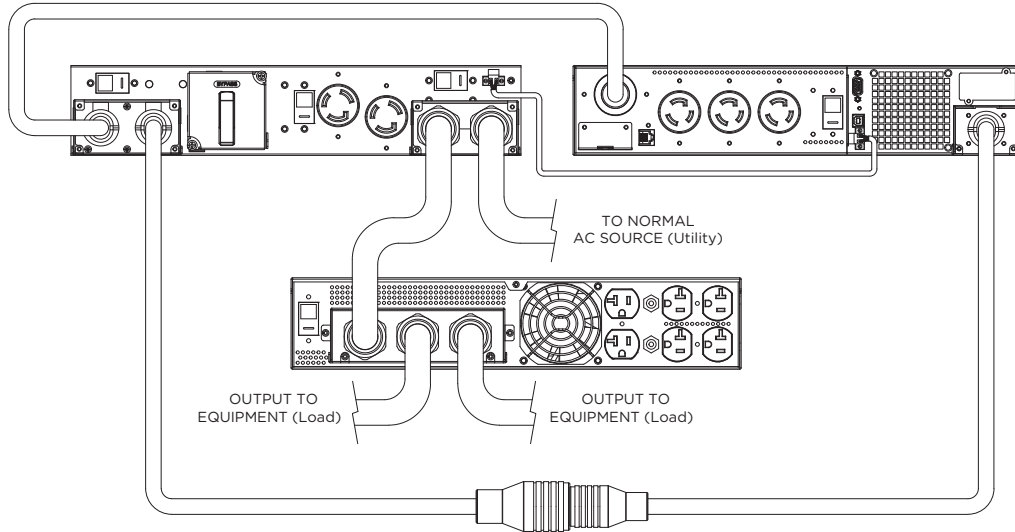
OL8KRT/OL10KRT



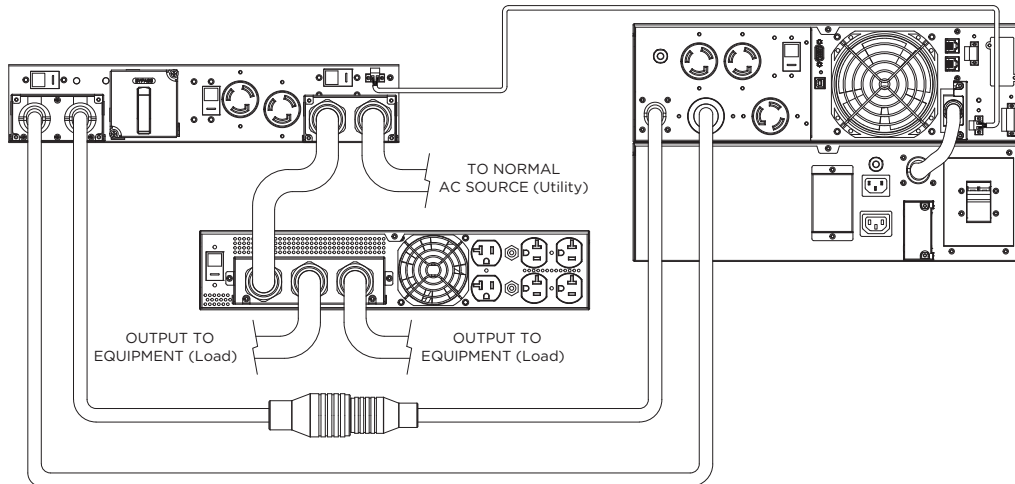
ELECTRICAL INSTALLATION CONT.

CONNECTING THE MBP TO A UPS WITH A STEP-DOWN TRANSFORMER

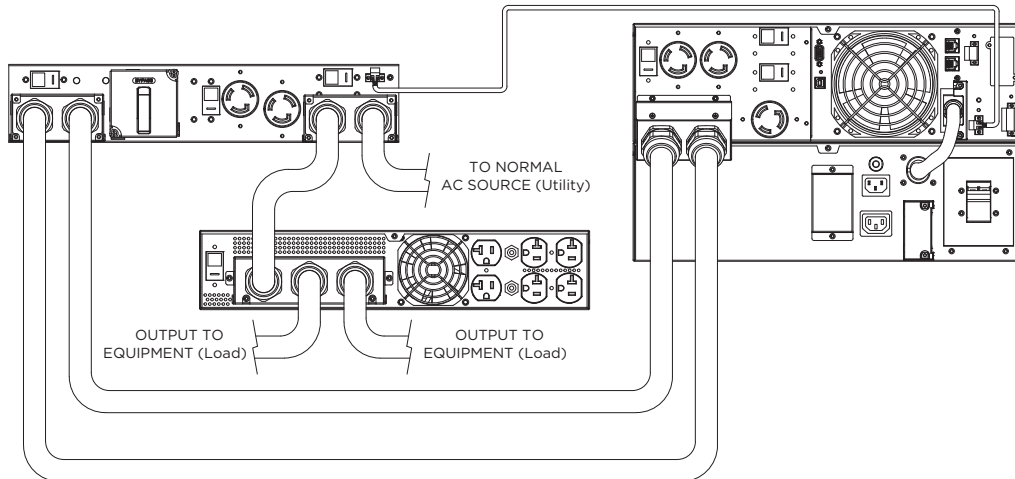
OL5KRTHD/OL6KRTHD WITH A STEP-DOWN TRANSFORMER



OL6KRT/OL6KRTF WITH A STEP-DOWN TRANSFORMER



OL8KRT/OL8KRTF/OL10KRT/OL10KRTF WITH A STEP-DOWN TRANSFORMER



ELECTRICAL INSTALLATION CONT.

MBP DETECTION CABLE INSTALLATION

Connect the MBP detection cable to the specific UPS connector.



Important ! Only with compatible CyberPower UPS systems.

After installing the MBP detection cable to the UPS EPO port, the UPS signal input must be set up for Manual Bypass. Refer to the UPS User Manual as following.

(1) OL5KRTHD/OL6KRTHD models:

Set up → communication → Signal input → Manual Bypass → Save Change ?

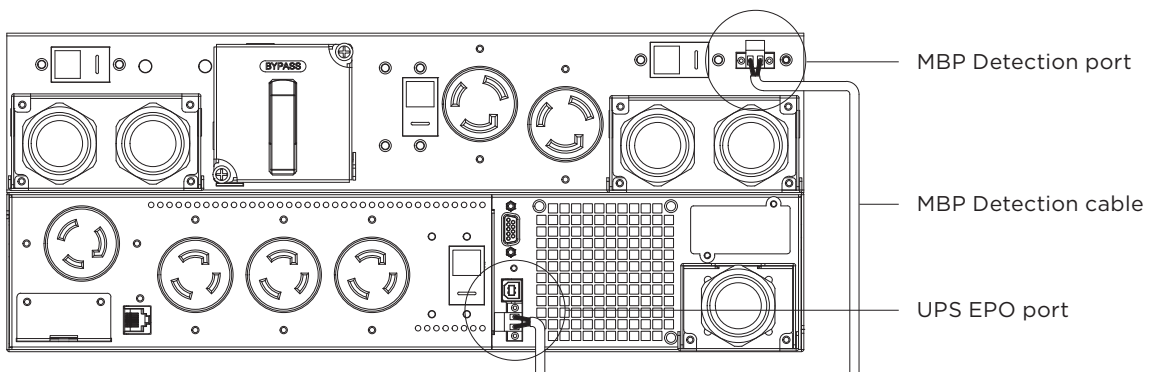
(2) OL6KRT/OL8KRT/OL10KRT/OL6KRTF/OL8KRTF/OL10KRTF models:

Configure → Signal input → Manual Bypass → Save ?

[NOTE] If the MBP Detection Cable is installed, the UPS EPO and ROO functions will be disabled.

[NOTE] If the MBP Detection Cable is not installed, the UPS will not automatically transfer to Bypass Mode.

[NOTE] TO AVOID DAMAGE! Follow the correct operation and start up procedures using either the MBP Detection Cable (P12) or Retaining EPO & ROO Function (P18).



OPERATIONS WITH MBP DETECTION CABLE INSTALLED

UPS START-UP WITH MBP63A2 AND MBP DETECTION CABLE

Verify that the total equipment ratings do not exceed the UPS capacity to prevent an overload alarm.

If the UPS model name is OL6KRT/OL8KRT/OL10KRT/OL6KRTF/OL8KRTF/OL10KRTF, please check the MCU version* on LCD Panel by the following operations.

1. Press the “ENTER” button to access the “Main Menu”.
2. Press the “▲” and “▼” buttons to scroll to the “Information” option.
3. Press the “ENTER” button to select the “Information” submenu.
4. Press the “▲” and “▼” buttons to scroll through the “Information” submenu to check the MCU version*.

If the MCU version* is UE_V3Rn and the number of n is less than 6, (For Example:

MCU Ver. = UE_V3R5). Please contact CyberPower for assistance to upgrade the MCU version*.

ELECTRICAL INSTALLATION CONT.

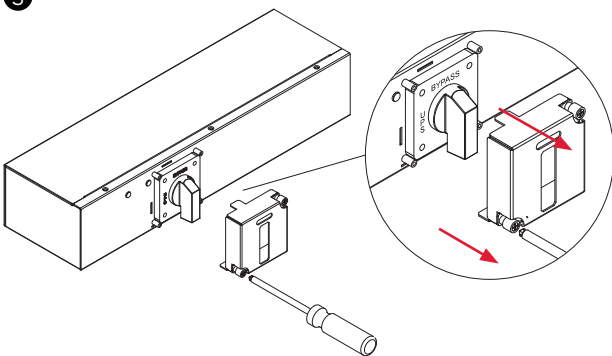
UPS START-UP WITH MBP63A2 AND MBP DETECTION CABLE CONT.

[NOTE]*MCU version is the UPS Firmware version.

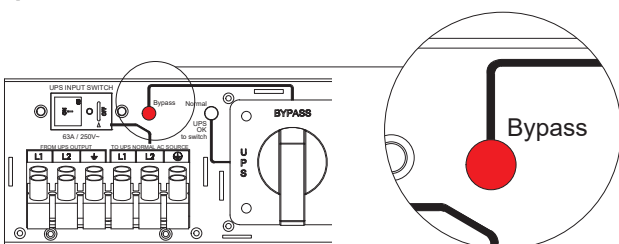
[NOTE] If the UPS is equipped with outlets, those outlets can no longer be used. Loads can only be connected to the MBP outlets or the MBP Output terminal blocks. The UPS should be turned off when the UPS is doing maintenance. If load is connected to the UPS outlet, the load will be lost. Before turning off the UPS, the MBP needs to be set to bypass to maintain continuous power from utility.

1. Check that the UPS is correctly connected to the MBP63A2 (see previous chapter HARDWIRING THE INPUT/OUTPUT TERMINAL connecting the input/output and MBP detection).
If the UPS is equipped with outlets, those outlets can no longer be used (loads can only be connected to the MBP outlets or the MBP Output terminal blocks).
2. Verify that the MBP terminal blocks are connected to the normal AC source (Utility).
3. Loosen the 2 screws with a screwdriver and open the cover of the MBP switch and check that the MBP manual Bypass switch is set to the **“Bypass”** position.
4. Set the upstream circuit breaker (not provided) to the **“I”** on position to switch On the normal AC source (Utility) power.
5. Verify that the **“Bypass”** red light of the MBP goes On, indicating that the load is now powered by the normal AC source (Utility).
6. Set the UPS INPUT switch of the MBP to the **“I”** on position.
7. Verify that the UPS is correctly powered (UPS display panel illuminates).

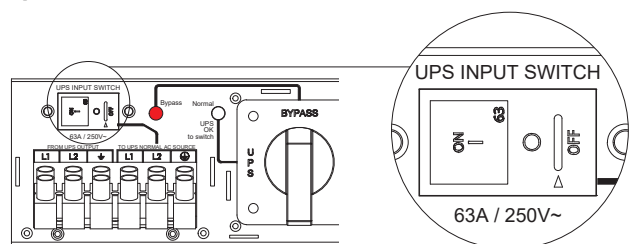
3



5



6



ELECTRICAL INSTALLATION CONT.

UPS START-UP WITH MBP63A2 AND MBP DETECTION CABLE CONT.



Important ! The signal input setting of the UPS should set to “Manual Bypass” for MBP detection (refer to the UPS user manual as described below).

8. (1) OL5KRTHD/OL6KRTHD models:

Set up → Communication → Signal input → Manual Bypass → Save Change ?

(2) OL6KRT/OL8KRT/OL10KRT/OL6KRTF/OL8KRTF/OL10KRTF models:

Configure → Signal input → Manual Bypass → Save ?

[NOTE] If these steps are not followed correctly, the Manual Bypass function will not be enabled and the UPS could be damaged.

9. Press the UPS **“ON/OFF”** power button for 3 seconds to start the UPS.

10. The UPS will automatically switch to **“Bypass Mode”** (the MBP detection port should connect to the UPS EPO port, see previous chapter HARDWIRING THE INPUT/OUTPUT TERMINAL connecting the input/output and MBP detection cable).

11. Verify that the UPS is in Bypass Mode by checking the UPS display panel.

12. Verify that the **“Normal”** green light of the MBP goes On, indicating that the UPS output power is available on the MBP.



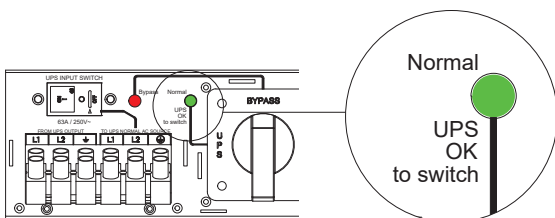
Important ! Do not continue to next step if the “Normal” green light of the MBP is still Off (the load will be lost).

13. Set the MBP manual Bypass switch to the **“UPS”** position: the load is now powered by the UPS.

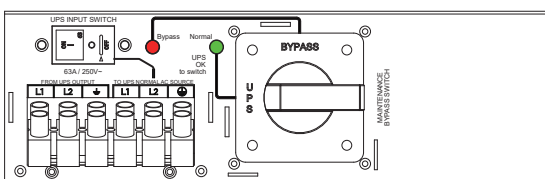
14. Attach the cover of the MBP switch and tighten the 2 screws with a screwdriver. The UPS will automatically switch to Line Mode.

15. Confirm that the UPS is in Online Mode by checking the UPS display panel (refer to the UPS user manual). The load is now protected by the UPS.

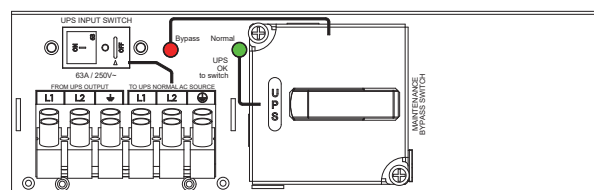
12



13



14



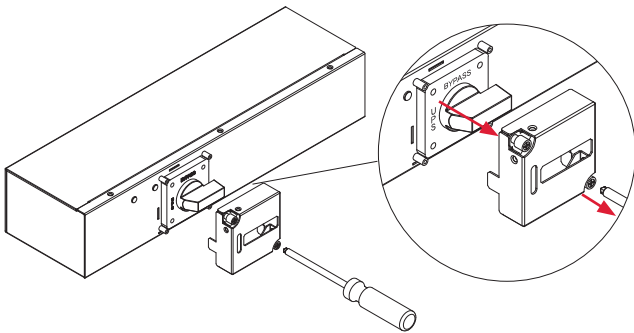
ELECTRICAL INSTALLATION CONT.

UPS REPLACEMENT WITH MBP63A2 AND MBP DETECTION CABLE

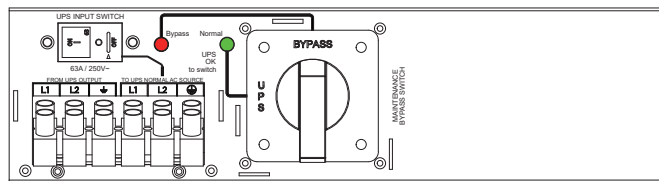
For UPS removal, follow the MANDATORY steps below:

1. Loosen the 2 screws with a screwdriver and open the cover of the MBP switch. The UPS will automatically go into **"Bypass Mode"**.
2. Verify that the UPS is in Bypass Mode by checking the UPS display panel (refer to the UPS user manual).
3. Set the MBP manual Bypass switch to **"Bypass"** position, indicating that the load is supplied directly by normal AC source (Utility) power.
4. Replace the cover of the MBP switch and tighten the 2 screws with a screwdriver.
5. Press the UPS **"ON/OFF"** power button for 3 seconds to turn off the UPS and make sure the UPS is switched to Standby Mode and green light of the MBP goes Off.

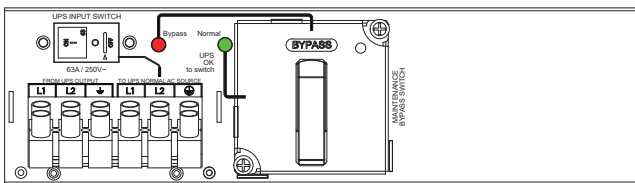
1



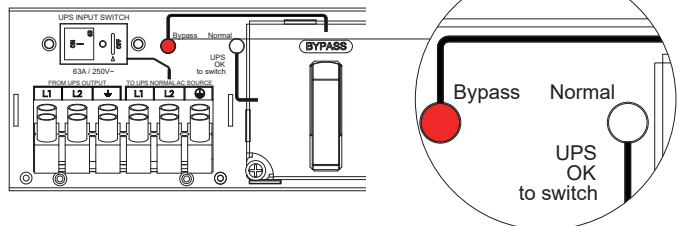
3



4



5



ELECTRICAL INSTALLATION CONT.

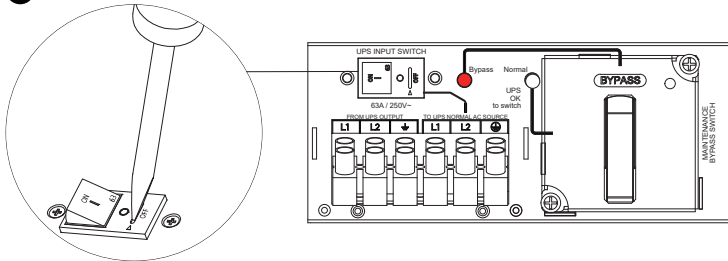
UPS REPLACEMENT WITH MBP63A2 AND MBP DETECTION CABLE CONT.

- Set the UPS INPUT switch of the MBP to the “O” off position and wait **90** seconds to make sure the UPS is totally shut down.
- When the UPS stops, the UPS can now be disconnected, as described below:
 - When first opening the I/O terminal blocks cover of the UPS, check if hazardous voltage is no longer present in the UPS terminal blocks by using an electrical safety tester.
 - Disconnect the MBP conduits, and the MBP detection cable.
- Replace the UPS.

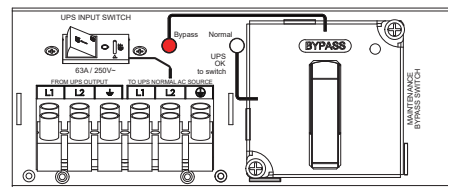


Important ! Hazardous voltage and lost load risk: do not operate the MBP manual Bypass switch without the UPS connected to the MBP power conduits.

6



7



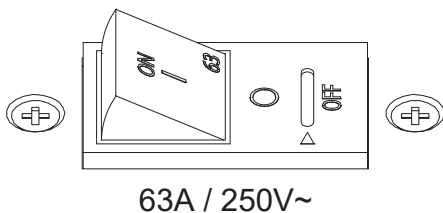
RETURN TO NORMAL OPERATION:

- Check that the new UPS is correctly connected to the MBP, as described below:
 - First check that the UPS INPUT switch of the MBP is still locked to the “O” off position.
 - After opening the UPS I/O terminal blocks cover, connect the UPS to the MBP conduits, and the MBP detection cable (following UPS versions).(See previous chapter HARDWIRING THE INPUT/OUTPUT TERMINAL connecting for more details).
- Set the UPS INPUT switch of the MBP to the “I” on position.
- Verify that the UPS is correctly powered (UPS display panel illuminates).



Important ! The signal input setting of the UPS should be set to “Manual Bypass” for MBP detection (refer to the UPS user manual as following).

1 UPS INPUT SWITCH



ELECTRICAL INSTALLATION CONT.

RETURN TO NORMAL OPERATION CONT. :

(1) OL5KRTHD/OL6KRTHD models:


Set up → communication → Signal input → Manual Bypass → Save Change ?

(2) OL6KRT/OL8KRT/OL10KRT/OL6KRTE/OL8KRTE/OL10KRTE models:

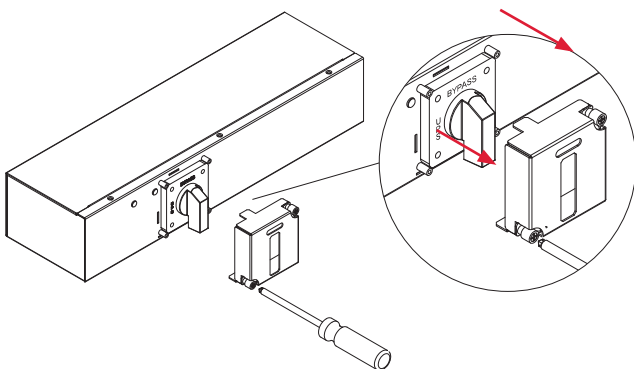
Configure → Signal input → Manual Bypass → Save ?

Signal input must be set to Manual Bypass and the MBP detection cable must be connected.

Failure to do so could result in damage to the UPS.

5. Press the UPS **“ON/OFF”** power button for 3 seconds to start the UPS.
 6. The UPS will automatically switch to Bypass Mode.
If not, please check the MBP detection cable is correctly connected.
 7. Verify that the UPS is in Bypass Mode by checking the UPS display panel (refer to the UPS user manual).
 8. Verify that the **“Normal”** green light of the MBP goes On, indicating that the UPS output power is available on the MBP.
-  **Important !** Do not continue to the next step if the **“Normal”** green light of the MBP is still Off (the load will be lost).
9. Loosen the 2 screws with a screwdriver and open the cover of the MBP switch. The MBP switch should now be in the **“Bypass”** position.
 10. Set the MBP manual bypass switch to the **“UPS”** position, indicating that the load is now powered by the UPS.
 11. Replace the cover of the MBP switch and tighten the 2 screws with a screwdriver. The UPS will automatically switch to Line Mode.
 12. Confirm that the UPS is in Online Mode by checking the UPS display panel (refer to the UPS user manual). The load is now protected by the UPS.

9



ELECTRICAL INSTALLATION CONT.

OPERATIONS TO RETAIN EPO & ROO FUNCTION (NO MBP DETECTION CABLE)

UPS START-UP WITH MBP63A2

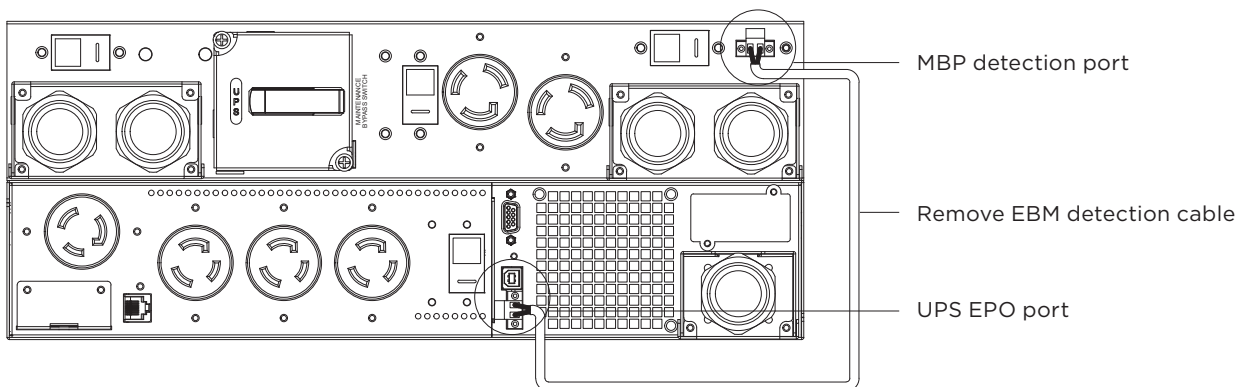
Verify that the total equipment ratings do not exceed the UPS capacity to prevent an overload alarm.

If the MBP Detection Cable is not used, the Firmware is not required to be updated.

If MBP Detection Cable is installed, the UPS EPO and ROO functions will be disabled.

If MBP Detection Cable is not installed, the UPS will not automatically transfer to Bypass Mode.

TO AVOID DAMAGE! Follow the correct operation and start up procedures using either the MBP Detection Cable (P12) or Retaining EPO & ROO Function (P18).



If the UPS is equipped with outlets, those outlets can no longer be used. Loads can only be connected to the MBP outlets or the MBP Output terminal blocks. The UPS should be turned off when the UPS is doing maintenance. If load is connected to a UPS outlet, the load will be lost. Before turning off the UPS, the MBP needs to be set to bypass to maintain continuous power from utility.

1. Check that the UPS is correctly connected to the MBP63A2 (see previous chapter HARDWIRING THE INPUT/OUTPUT TERMINAL connecting the input and output but no need to connect MBP detection).

If the UPS is equipped with outlets, those outlets can no longer be used (loads can only be connected to the MBP outlets or the MBP Output terminal blocks).

2. Verify that the MBP terminal blocks are connected to the normal AC source (Utility).

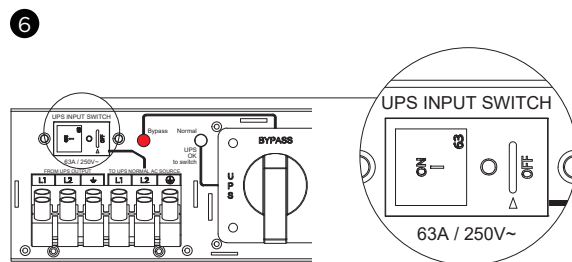
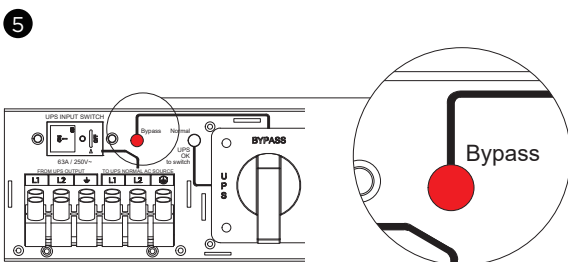
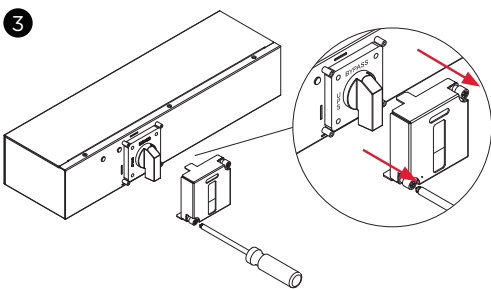
ELECTRICAL INSTALLATION CONT.

UPS START-UP WITH MBP63A2 CONT.

- Loosen the 2 screws with a screwdriver and open the cover of the MBP switch. Confirm that the MBP manual bypass switch is in the **"Bypass"** position.
- Set the upstream circuit breaker (not provided) to the **"I"** on position to switch On the normal AC source (Utility) power.
- Verify that the **"Bypass"** red light of the MBP goes On, indicating that the load is now powered by the normal AC source (Utility).
- Set the UPS INPUT switch of the MBP to the **"I"** on position.
- Verify that the UPS is correctly powered (UPS display panel illuminates).
- Enable EPO or ROO function (refer to the UPS user manual as following).
 - OL5KRTHD/OL6KRTHD models:
Set up → communication → Signal input → EPO or ROO → Save Change ?
 - OL6KRT/OL8KRT/OL10KRT/OL6KRTF/OL8KRTF/OL10KRTF models:
Configure → Signal input → EPO or ROO → Save ?
- Press the UPS **"ON/OFF"** power button for 3 seconds to start the UPS, the UPS will switch to Line Mode.
- The UPS should set to Bypass Mode from LCD Panel (refer to the UPS user manual as following)
 - OL5KRTHD/OL6KRTHD models:
Controls → Manual Bypass → Enable → Activate
 - OL6KRT/OL8KRT/OL10KRT/OL6KRTF/OL8KRTF/OL10KRTF:
Configure → Manual Bypass → Enable



Important ! Before setting the UPS to Bypass Mode, do not set the MBP manual Bypass switch to the "UPS" position. The UPS will be damaged if this is not followed.



ELECTRICAL INSTALLATION CONT.

UPS START-UP WITH MBP63A2 CONT.

- Verify that the UPS is in Bypass Mode by checking the UPS display panel (refer to the UPS user manual).
- Verify that the **“Normal”** green light of the MBP goes On, indicating that the UPS output power is available on the MBP.



Important ! Do not continue to next step if the “Normal” green light of the MBP is still Off (the load will be lost).

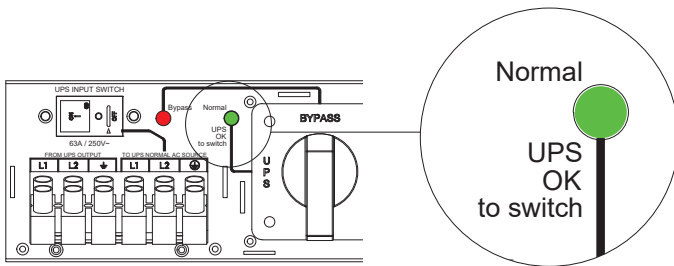
- Set the MBP manual Bypass switch to the **“UPS”** position: the load is now powered by the UPS.
- Replace the cover of the MBP switch and tighten the 2 screws with a screwdriver, the UPS will automatically switch to Line Mode.
- The UPS should set back to Line Mode from LCD Panel (refer to the UPS user manual as following)
 - OL5KRTHD/OL6KRTHD models:
Controls → Manual Bypass → Disable → Activate
 - OL6KRT/OL8KRT/OL10KRT/OL6KRTE/OL8KRTE/OL10KRTE:
Configure → Manual Bypass → Disable
 If not, the load is still supplied directly by normal AC source (Utility) power.



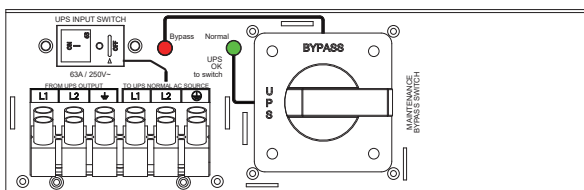
Important ! After the MBP manual Bypass is switched to the “UPS” position, the UPS should set back to Line Mode to protect load.

- Confirm that the UPS is in Online Mode by checking the UPS display panel (refer to the UPS user manual). The load is now protected by the UPS.

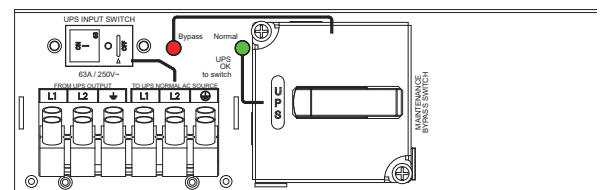
12



13



14



ELECTRICAL INSTALLATION CONT.

UPS REPLACEMENT WITH MBP63A2

For UPS removal, follow the MANDATORY steps below:

1. The UPS should be set to Bypass Mode from LCD Panel (refer to the UPS user manual as following)
 - (1) OL5KRTHD/OL6KRTHD models:
Controls → Manual Bypass → Enable → Activate
 - (2) OL6KRT/OL8KRT/OL10KRT/OL6KRTF/OL8KRTF/OL10KRTF:
Configure → Manual Bypass → Enable

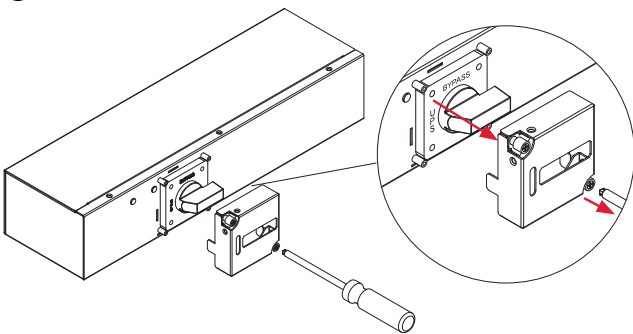
2. Verify that the UPS is in Bypass Mode by checking the UPS display panel (refer to the UPS user manual).



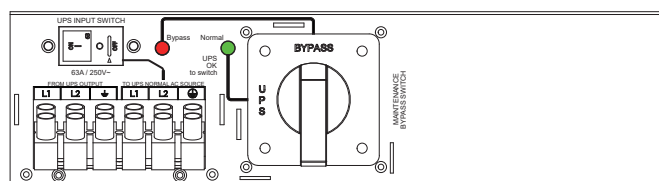
Important ! Before setting the UPS to Bypass Mode, do not set the MBP manual Bypass switch to the “Bypass” position. The UPS will be damaged if this is not followed.

3. Loosen the 2 screws with a screwdriver and open the cover of the MBP switch.
4. Set the MBP manual Bypass switch to “**Bypass**” position, indicating that the load is supplied directly by normal AC source (Utility) power.
5. Replace the Cover of the MBP switch and tighten the 2 screws with a screwdriver.
6. Press the UPS “**ON/OFF**” power button for 3 seconds to turn off the UPS and make sure the UPS is on Standby Mode and green light of the MBP goes Off.

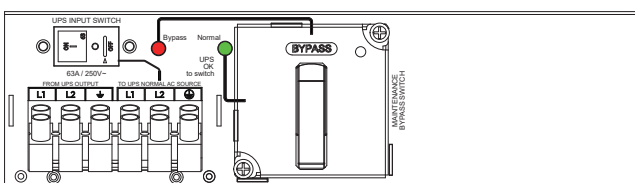
3



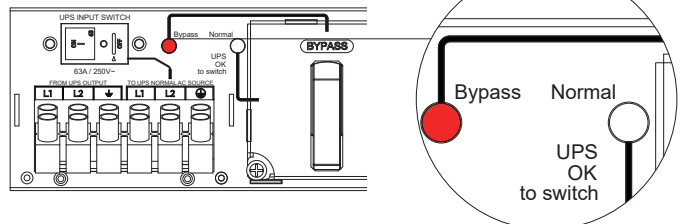
4



5



6



ELECTRICAL INSTALLATION CONT.

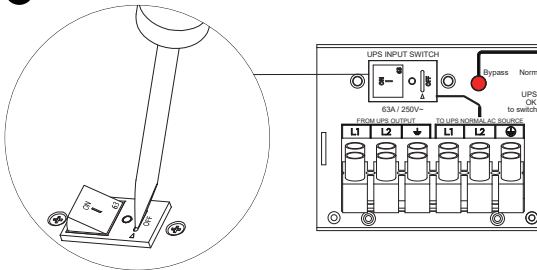
UPS REPLACEMENT WITH MBP63A2 CONT.

- Set the UPS INPUT switch of the MBP to the “O” off position and wait **90** seconds to make sure the UPS is totally shut down.
- After the UPS has shut down, the UPS can now be disconnected, as described below:
 - When first opening the I/O terminal blocks cover of the UPS, check if hazardous voltage is no longer present in the UPS terminal blocks by using an electrical safety tester.
 - Disconnect the MBP conduits.
- Replace the UPS.

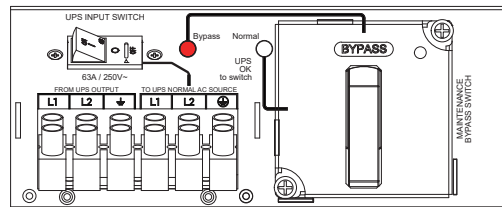


Important ! Hazardous voltage and lost load risk: do not operate the MBP manual Bypass switch without the UPS connected to the MBP power conduits.

7



8

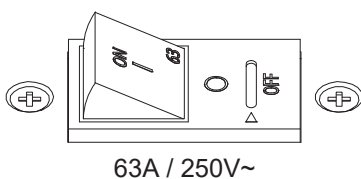


RETURN TO NORMAL OPERATION:

- Check that the new UPS is correctly connected to the MBP, as described below:
 - First, check that the UPS INPUT switch of the MBP is still locked to the “O” off position.
 - After opening the UPS I/O terminal blocks cover, connect to the UPS the MBP conduits but no need to connect MBP detection.
(see previous chapter HARDWIRING THE INPUT/OUTPUT TERMINALS for more details).
- Set the INPUT switch of the MBP to the “I” on position.
- Verify that the UPS is correctly powered (UPS display panel illuminates).
- Enable EPO or ROO function (refer to the UPS user manual as following).
 - OL5KRTHD/OL6KRTHD models:
Set up → Communication → Signal input → EPO or ROO → Save Change ?
 - OL6KRT/OL8KRT/OL10KRT/OL6KRTF/OL8KRTF/OL10KRTF models:
Configure → Signal input → EPO or ROO → Save ?

1

UPS INPUT SWITCH



ELECTRICAL INSTALLATION CONT.

RETURN TO NORMAL OPERATION CONT. :

5. Press the UPS **“ON/OFF”** power button for 3 seconds to start the UPS, the UPS will switch to Line Mode.
6. The UPS should set to Bypass Mode from the LCD Panel (refer to the UPS user manual as following)
 - (1) OL5KRTHD/OL6KRTHD models:
Controls → Manual Bypass → Enable → Activate
 - (2) OL6KRT/OL8KRT/OL10KRT/OL6KRTF/OL8KRTF/OL10KRTF:
Configure → Manual Bypass → Enable



Important ! Before setting the UPS to Bypass Mode, do not set the MBP manual Bypass switch to the “UPS” position. The UPS will be damaged if this is not followed.

7. Verify that the UPS is in Bypass Mode by checking the UPS display panel (refer to the UPS user manual).
8. Verify that the **“Normal”** green light of the MBP goes On, indicating that the UPS output power is available on the MBP.



Important ! Do not continue to next step if the “Normal” green light of the MBP is still Off (the load will be lost).

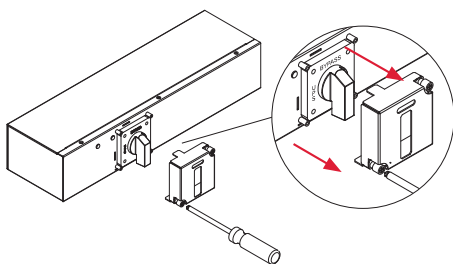
9. Loosen the 2 screws with a screwdriver and open the cover of the MBP switch. Confirm that the MBP manual bypass switch is in the “Bypass” position.
10. Set the MBP manual Bypass switch to the **“UPS”** position, indicating that the load is now powered by the UPS.
11. Replace the cover of the MBP switch and tighten the 2 screws with a screwdriver.
12. The UPS should set back to Line Mode from the LCD Panel (refer to the UPS user manual as follows).
 - (1) OL5KRTHD/OL6KRTHD models:
Controls → Manual Bypass → Disable → Activate
 - (2) OL6KRT/OL8KRT/OL10KRT/OL6KRTF/OL8KRTF/OL10KRTF:
Configure → Manual Bypass → Disable



Important ! After the MBP manual Bypass is switched to the “UPS” position, the UPS should be set back to Line Mode to protect load. If not, the load is still supplied directly by normal AC source (Utility) power.

13. Confirm that the UPS is in Online Mode by checking the UPS display panel. The load is now protected by the UPS.

9



TECHNICAL SPECIFICATIONS

MODEL	MBP63A2
Input	
Input Voltage Range	200~240 V
Input Current Rating	63 A
Inlet To Utility Power	(1) Terminal Block
Inlet To UPS Input	(1) Terminal Block
Inlet To UPS Output	(1) Terminal Block
Wiring Information	Use No. 6 AWG, minimum 90°C copper wire and 18 lb-in
Output	
Outlets	(1) NEMA L6-20R / (1) NEMA L6-30R / (1) Terminal Block
Physical	
Form Factor	2U
Enclosure Construction	Steel
Dimensions (WxHxD) (in.)	17 x 3.4 x 4.9
Dimensions (WxHxD) (mm.)	433 x 86.5 x 125
Weight (lbs.)	8.8
Weight (kg.)	4
TO UPS Cord Length	3.3 ft.
Environmental	
Operating Temperature	32°F to 104°F / 0°C to 40°C
Operating Relative Humidity	0% - 90% non-condensing
Compatibility list for CyberPower UPS	
OL5KRTHD, OL6KRTHD, OL6KRT, OL8KRT, OL10KRT, OL6KRTF, OL8KRTF, OL10KRTF	

PRODUCT REGISTRATION

CyberPower requests that you register the Product at (www.cyberpowersystems.com/registration) to establish that you are the Initial Customer of the Product, and therefore entitled coverage under the Limited Warranty (Registration is not required for coverage, but note: if you do not register your purchase, you will be required to provide proof of purchase.)

CyberPower

Cyber Power Systems (USA), Inc. | www.CyberPowerSystems.com

For USA and Canada | 4241 12th Ave East, Suite 400, Shakopee, MN 55379 | Toll-free: 877.297.6937

For all other regions | Please visit our website for local contact information.

Copyright © 2021 Cyber Power Systems (USA), Inc. All rights reserve.

