

# SMARTFLOOR

Nissan E-NV200 SF



Manual nr 15017492

Rev 01 Loyds Industri AS 2019-05-22

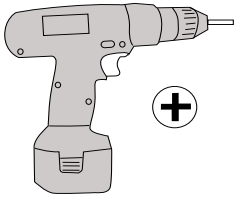
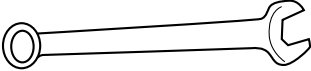
# Revision Record

Rev nr	Date	Page	Picture	Update	New	Deleted steps
01	13.12.18			Floor Set Rev		

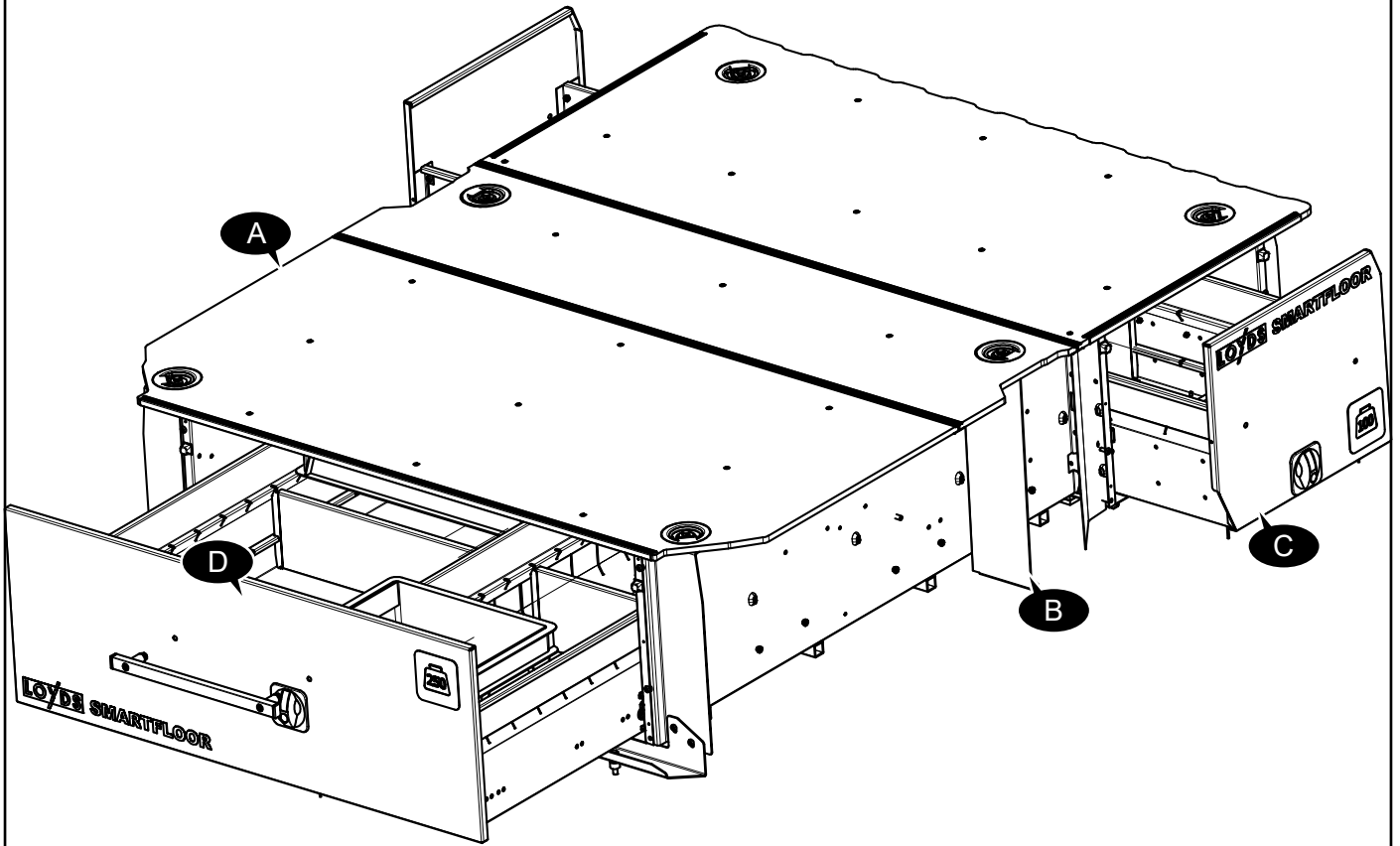
Recomended attraction moments screws:

4,2mm Selfdrilling: 3,6 NM  
 6mm: 6 NM  
 8mm: 10 NM  
 10mm: 42 NM

# Tools

	<p>13 mm</p> 	<p>Bits                      PH0                      Torx                      Tx30                      Tx40</p>	

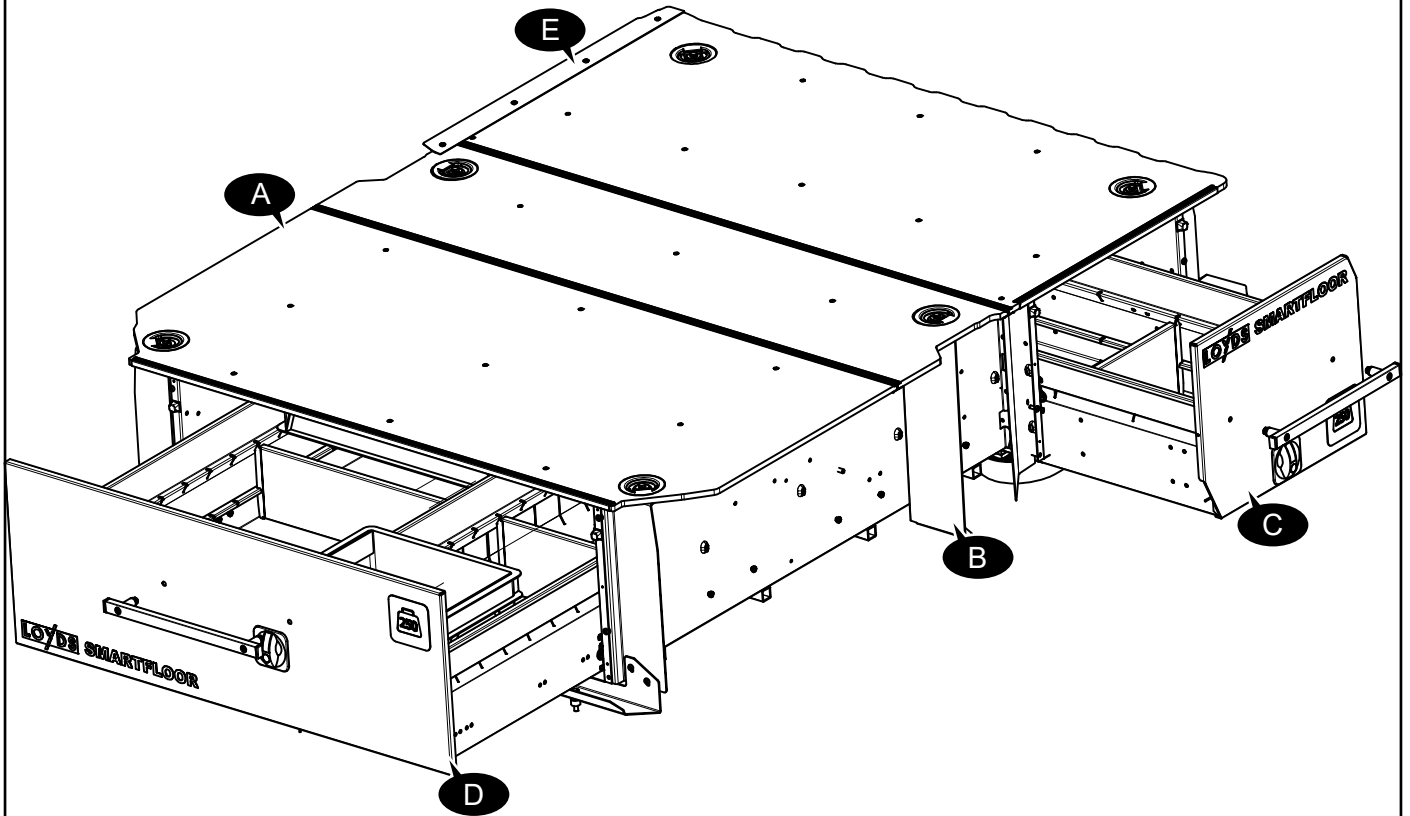
15017729\_A Kit Complete SF Nissan E-NV200 2SLD



15017078 Front Module SF Nissan E-NV200

Item	Quantity	Part Number	Description
A	1	15017318	Floor Set SF NVe200
B	1	15017720	Steelbracket Set NVe200
C	1	15010862	FD2 Front Drawer 400-600 Complete Assy
D	1	15010859	RD Drawer 1000 1200 Main Assy

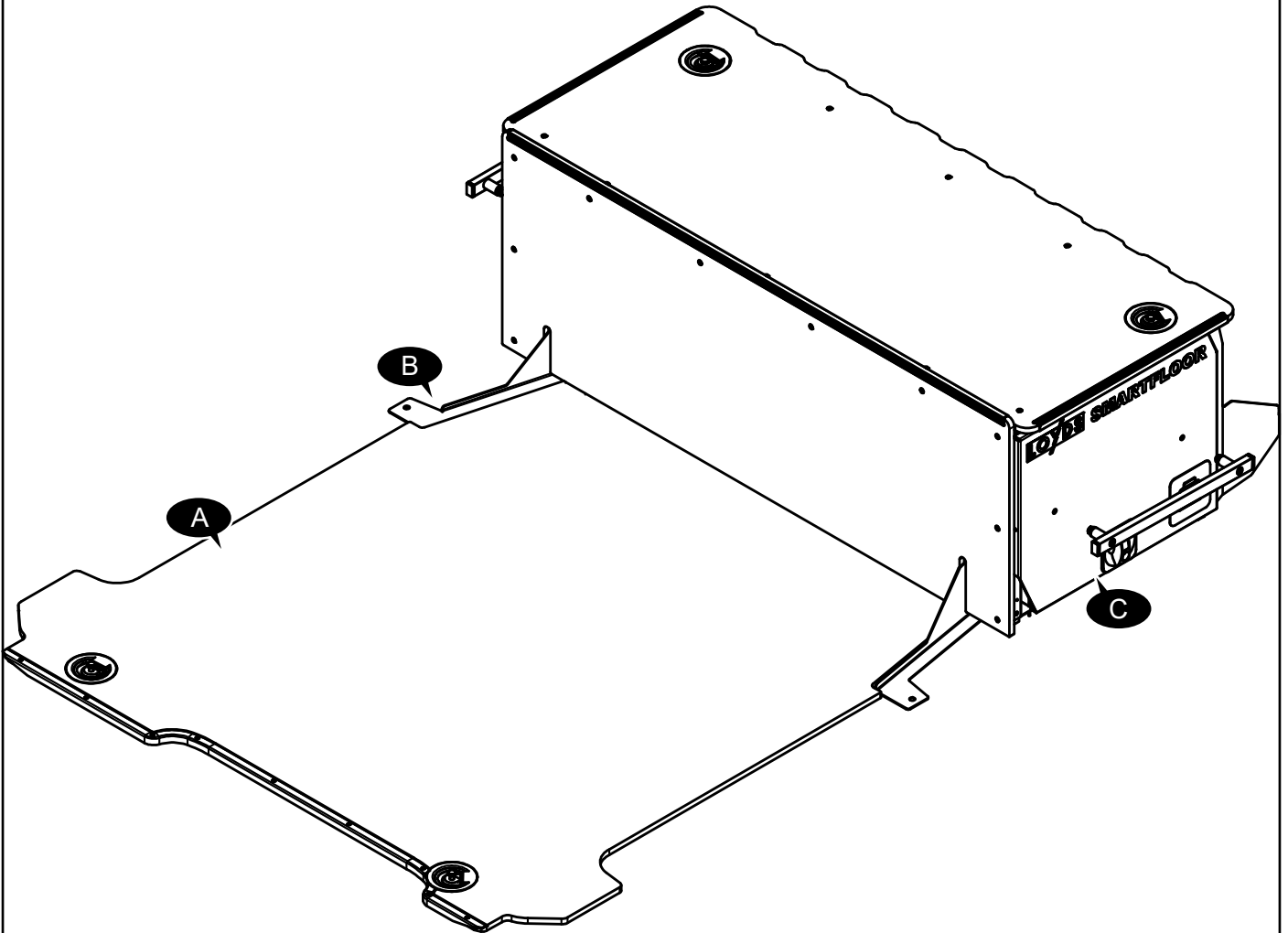
15017300\_A Kit Complete SF Nissan eNV200 1SLD



15017300\_A Kit Complete SF Nissan eNV200 1SLD

Item	Quantity	Part Number	Description
A	1	15017318	Floor Set SF NVe200
B	1	15017720	Steelbracket Set NVe200
C	1	15010635	FD1 Front Drawer 400-1200 Complete Assy
D	1	15010859	RD Drawer 1000 1200 Main Assy
E	1	15017757	Floor Supplement Set SF for 1SLD NVe200

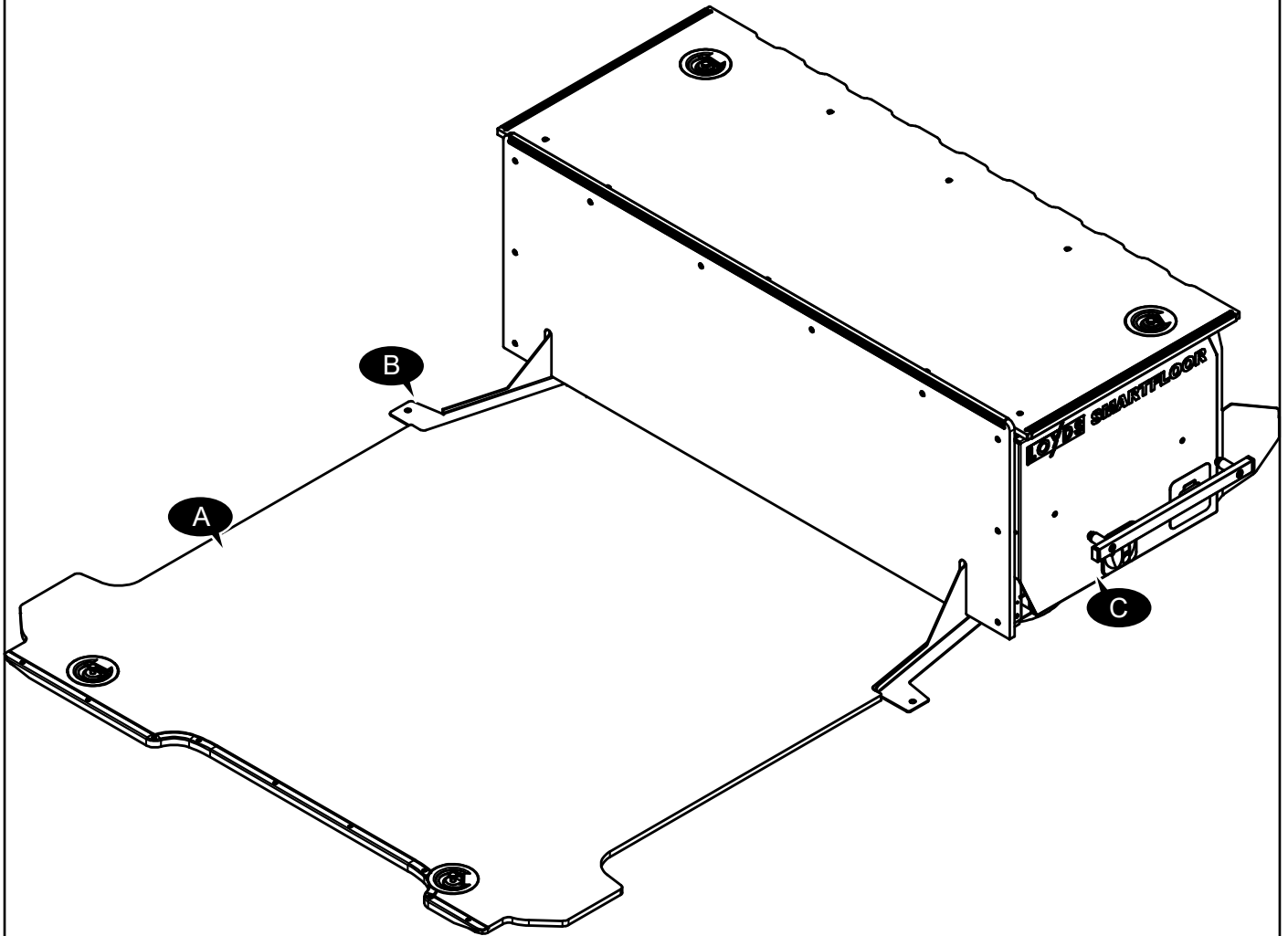
15017078 Front Module SF Nissan E-NV200 2SLD



15017078 Front Module SF Nissan E-NV200

Item	Quantity	Part Number	Description
A	1	15016898	Floor Set E-NV200 Front Module
B	1	15016897	Steel Bracket Set E-NV200 Front Module
C	1	15010862	FD2 Front Drawer 400-600 Complete Assy

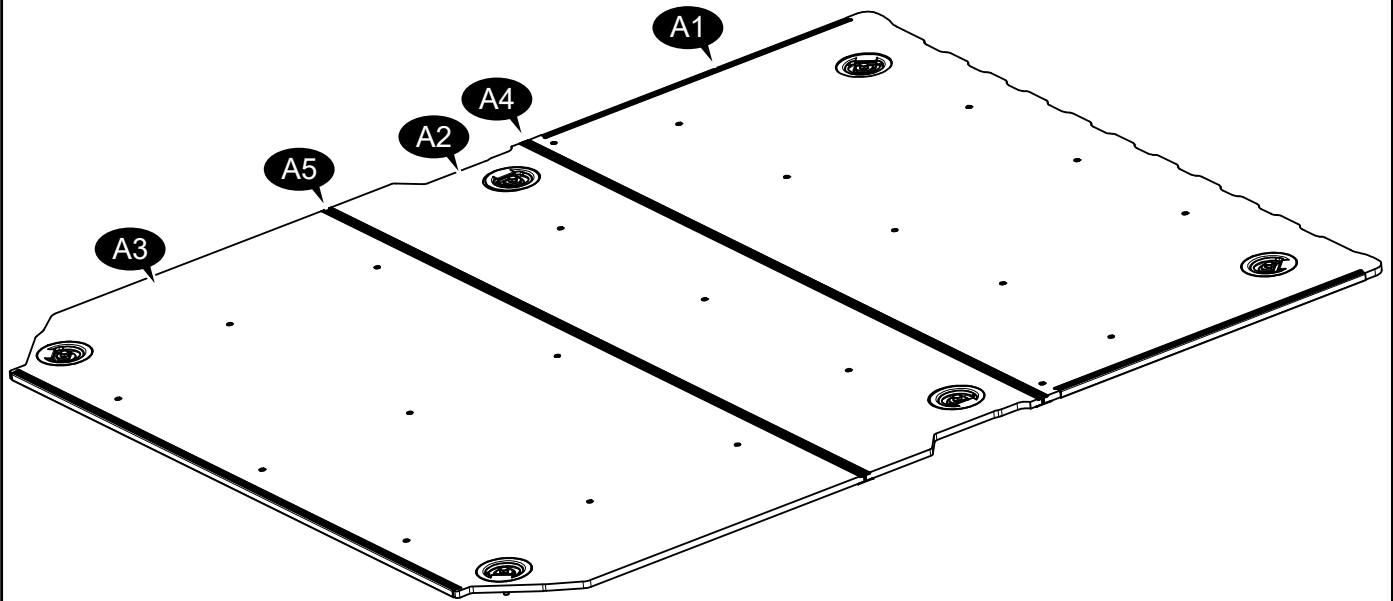
15017727\_A Front Module SF Nissan E-NV200 1SLD



15017727\_A Front Module SF Nissan E-NV200 1SLD

Item	Quantity	Part Number	Description
A	1	15016898	Floor Set E-NV200 Front Module
B	1	15016897	Steelbracket Set E-NV200 Front Module
C	1	15010635	FD1 Front Drawer 400-1200 Complete Assy

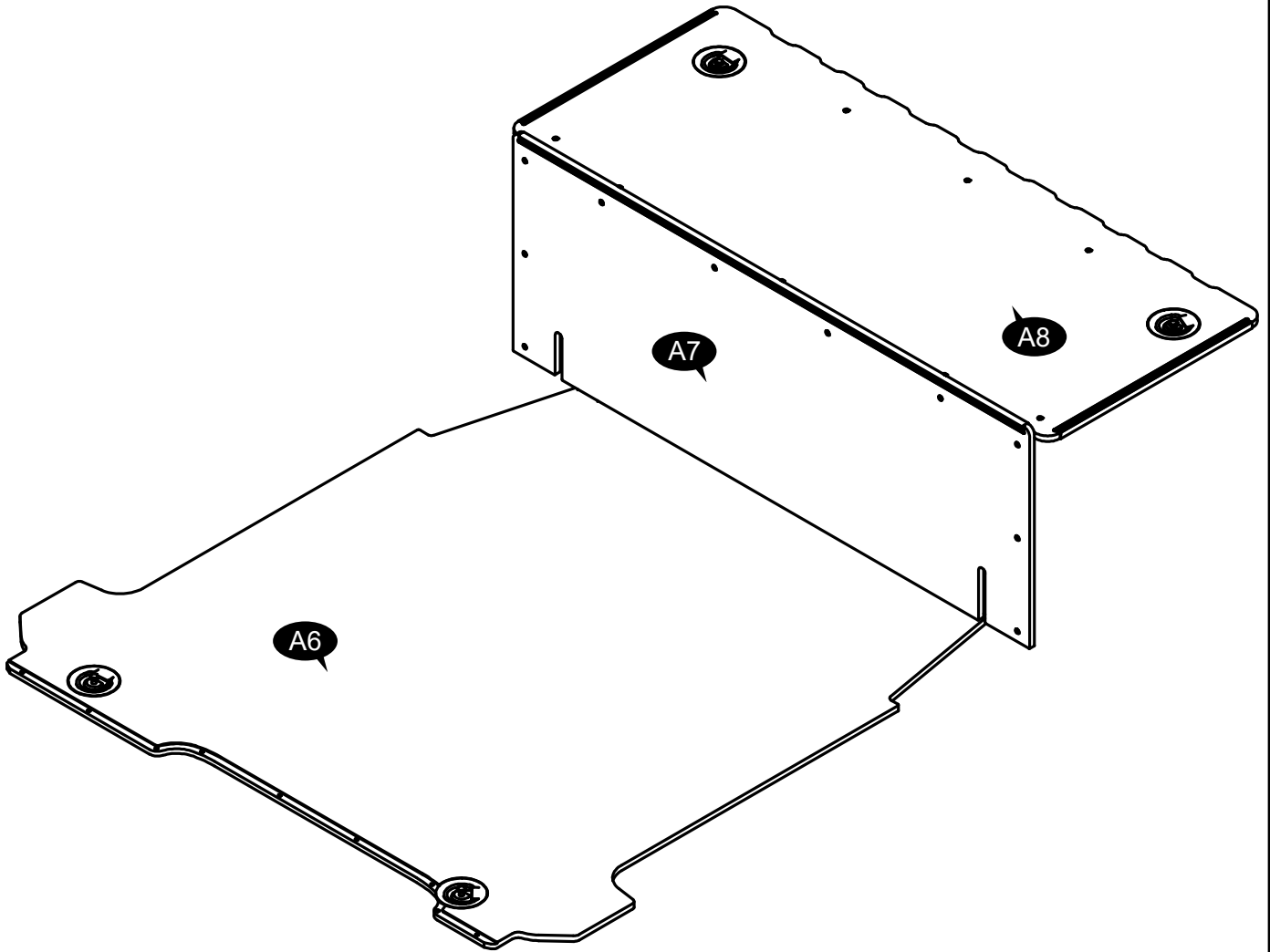
15017318\_A Floor Set NVe200



15017318\_A Floor Set NVe200

Item	Quantity	Part Number	Description
A1	1	15017790	Front Floor SF 12mm NVE200
A2	1	15017319	Middle Floor SF 12mm NVe200
A3	1	15017721	Rear Floor SF 12mm NVe200 ASSY
A4	1	15017316	H-Profile 12mm L=1440
A5	1	15017712	H-Profile 12mm L=1495
	1	15017719	Fitting Kit FLOOR Set NVe200

15016898 Floor Set E-NV200 Front Module

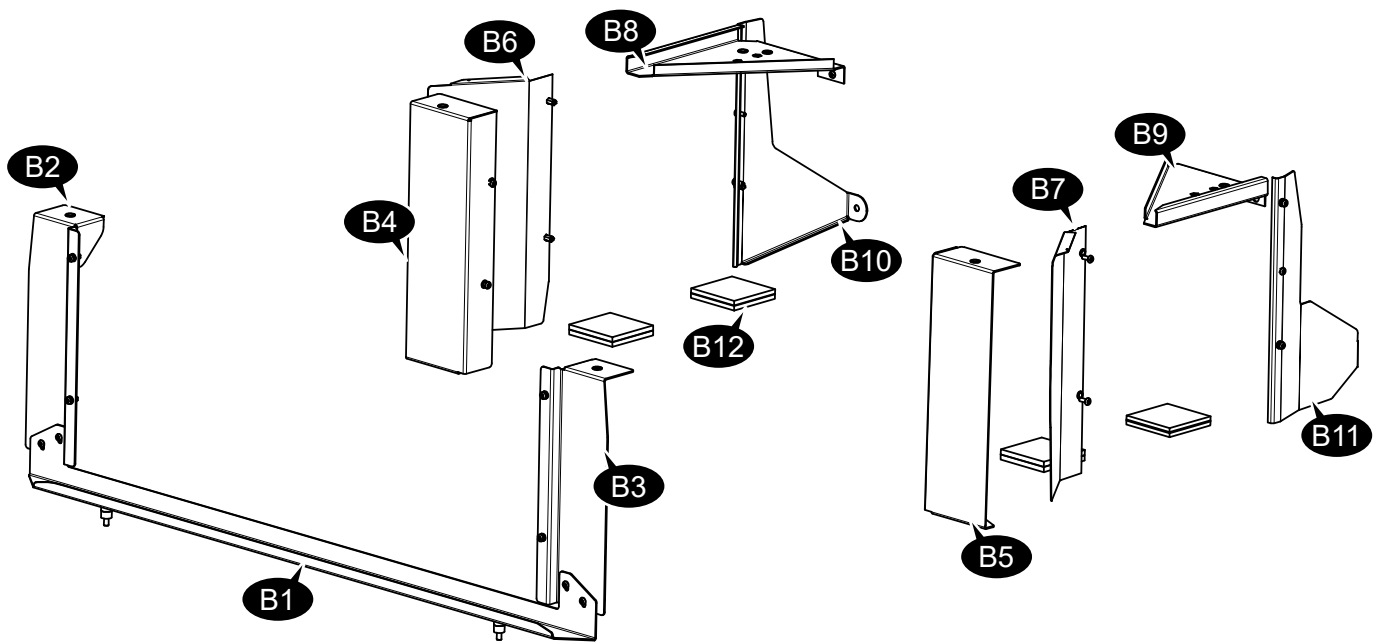


15012694 Front Module Drawer T6 Long 1SLD

Item	Quantity	Part Number	Description
A6	1	15016900	Nissan E-NV200 Floor AFT
A7	1	15017490	Nissan E-NV200 Floor MID ASSY
A8	1	15017491	Nissan E-NV200 Floor FWD ASSY
	1	15016899	Floor Set E-NV200 Front Module Fitting Kit



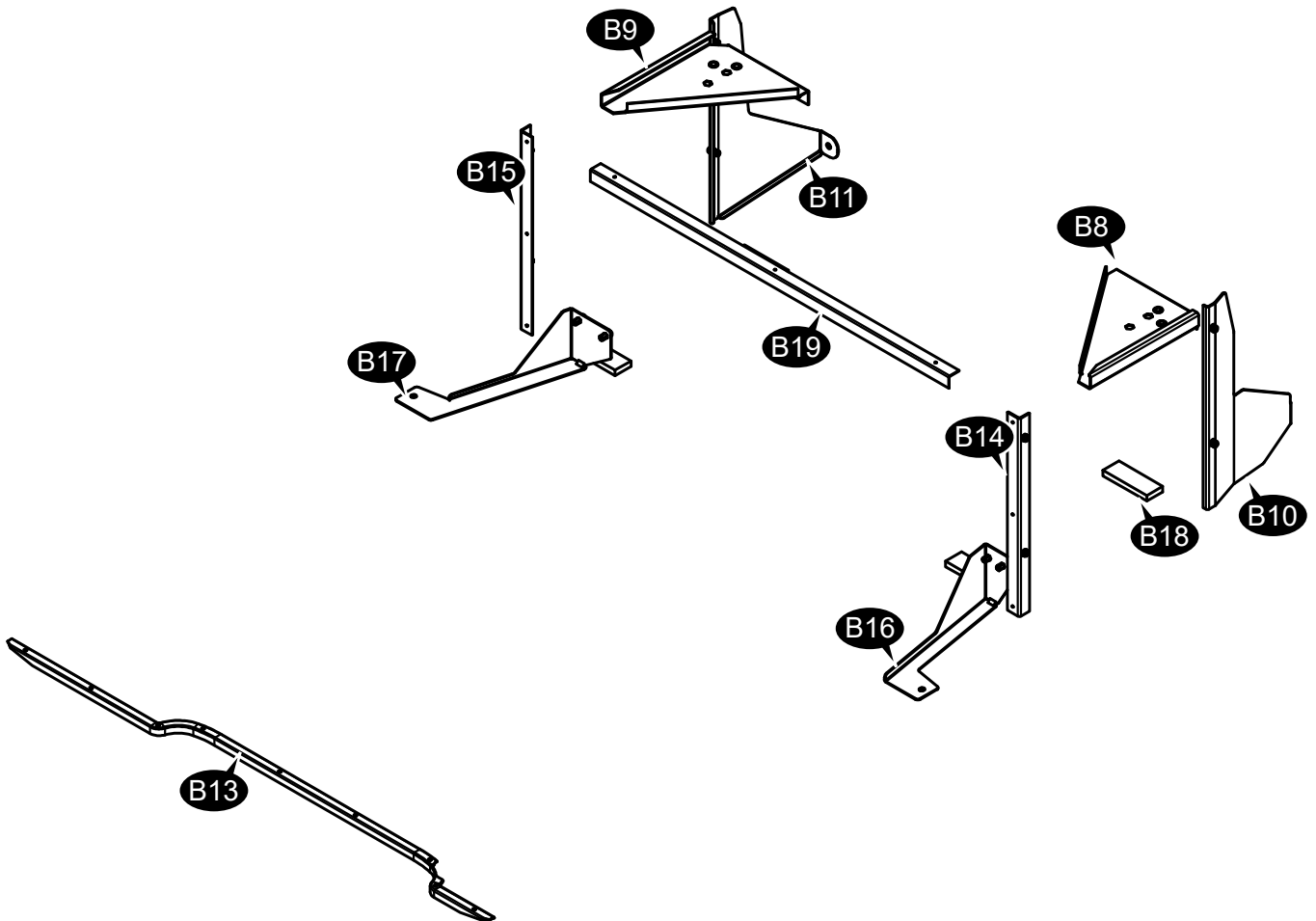
## 15017720\_A Steelbracket Set NVe200



### 15017720\_A Steelbracket Set NVe200

Item	Quantity	Part Number	Description
B1	1	15017296	Bracket Lower Rear SF E-NV200
B2	1	15017310	Bracket Rear Left NVe200 ASSY
B3	1	15017308	Bracket Rear Right NVe200 ASSY
B4	1	15017313	Bracket Middle Left NVe200 ASSY
B5	1	15017315	Bracket Middle Right NVe200 ASSY
B6	1	15017304	Cover Slide Door Left NVe200 ASSY
B7	1	15017306	Cover Slide Door Right NVe200 ASSY
B8	1	15011032	Bracket Latchcup M8 Multi Left ASSY
B9	1	15011031	Bracket Latchcup M8 Multi Right ASSY
B10	1	15017072	E-NV200 Front Bracket LH ASSY
B11	1	15017071	E-NV200 Front Bracket RH ASSY
B12	1	15017718	Fitting Kit Steelbracket Set NVe200

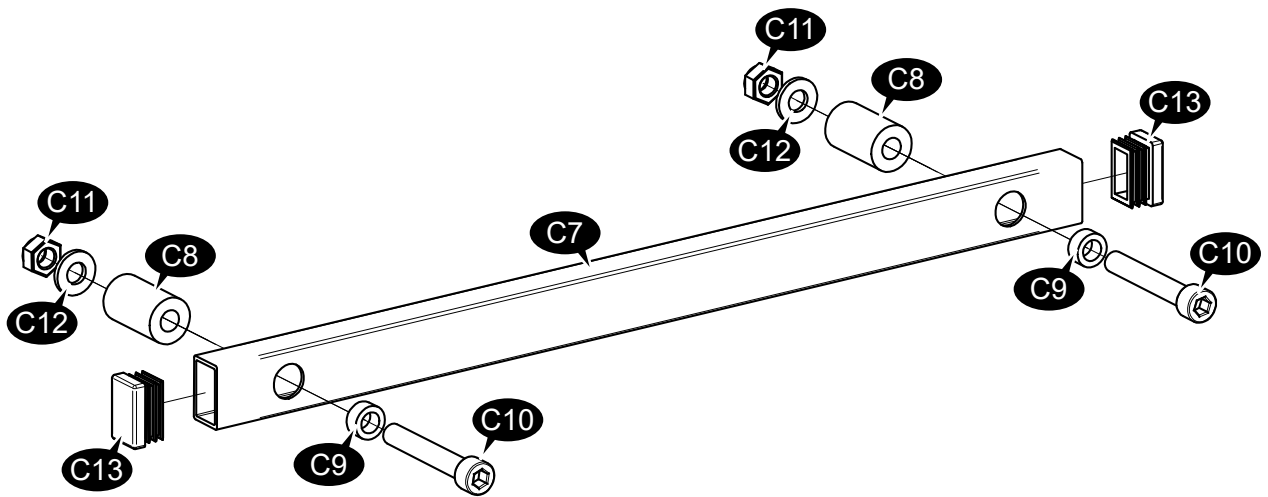
## 15016897 Steelbracket Set E-NV200 Front Module



15016897\_A Steelbracket Set E-NV200 Front Module

Item	Quantity	Part Number	Description
B8	1	15011032	Bracket Latchcup M8 Multi Right ASSY
B9	1	15011031	Bracket Latchcup M8 Multi Left ASSY
B10	1	15017072	E-NV200 Front Bracket RH ASSY
B11	1	15017071	E-NV200 Front Bracket LH ASSY
B13	1	15003807	Floor Rear, Protection List
B14	1	15017073	E-NV200 MID Bracket RH ASSY
B15	1	15017074	E-NV200 MID Bracket LH ASSY
B16	1	15017075	E-NV200 AFT Bracket RH ASSY
B17	1	15017076	E-NV200 AFT Bracket LH ASSY
B18	1	15017077	Fitting Kit Steelbracket Set E-NV200 Front Module
B19	1	15012687	Angle Vertical Floor Rear Module Drawer

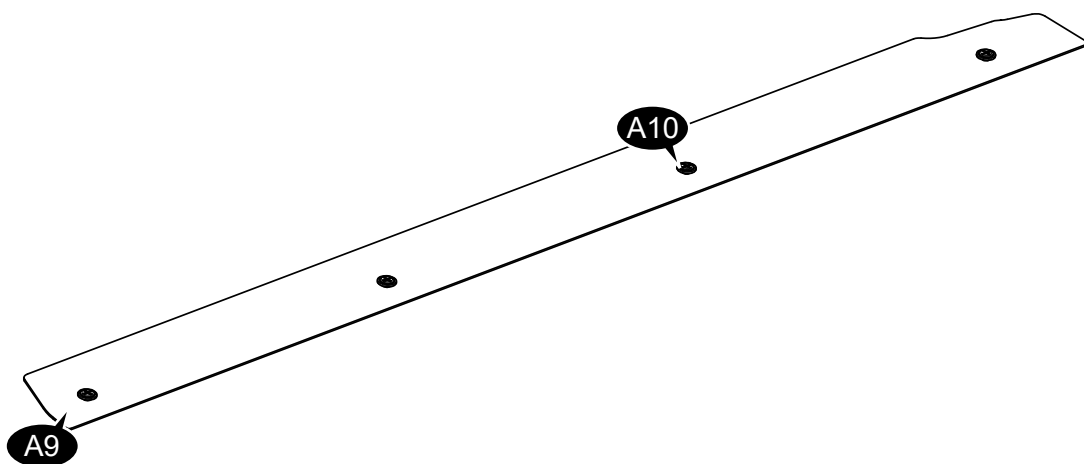
## 15010236 Handle Assy



### 15010236 Handle Assy

Item	Quantity	Part Number	Description
C7	1	15009441	Handle Tube 25x15x286
C8	2	15009442	Spacer Ø8,3x18x30 Nylon Black
C9	2	15009443	Spacer Ø8,1x13x6mm Galv
C10	2	15009444	Screw M8x50 Cylinderh Hex
C11	2	8 NMU	Mutter M8 Nyloc DIN985
C12	2	8,4x17x2	Rear Floor T5 Short w heater
C13	2	15009438	M8 Washer, DIN 125

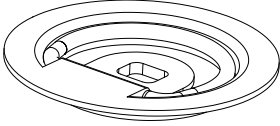
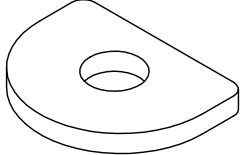
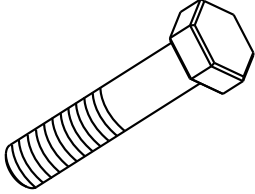
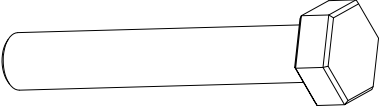
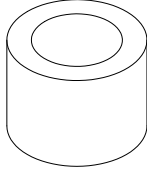
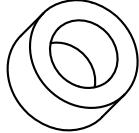
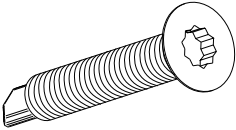
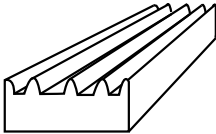

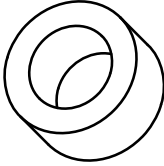
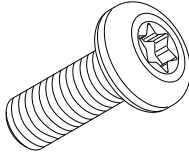
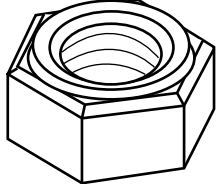


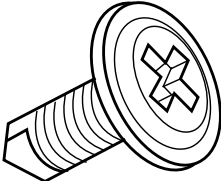
## 15017757\_A Floor Supplement Set SF for 1SLD NVe200



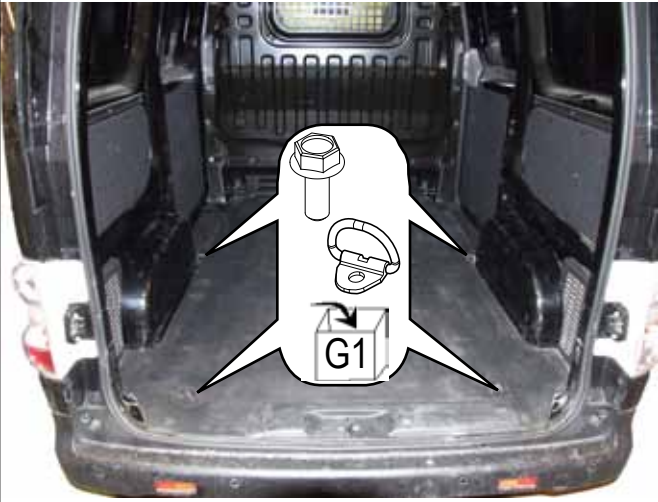
### 15017757\_A Floor Supplement Set SF for 1SLD NVe200

Item	Quantity	Part Number	Description
A9	1	15017756	Floor Extend Bracket Left 1SLD NVe200
A10	1	15017758	Fitting Kit Supplement Set 1SLD NVe200

## Fitting kit

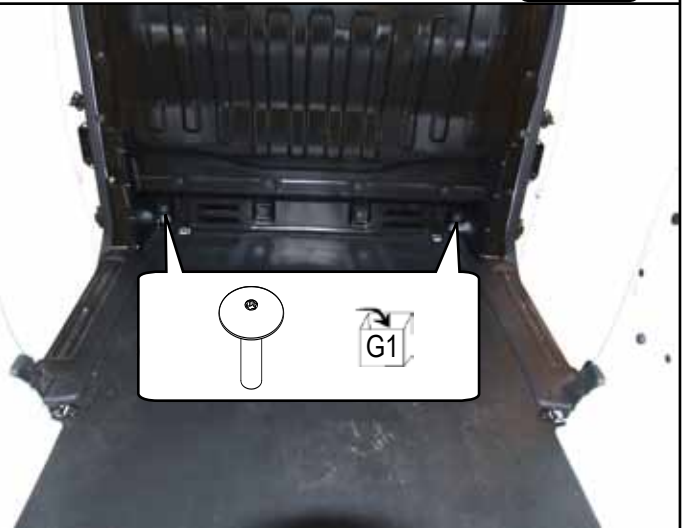
<p><b>F1</b></p>  <p>15005497 Latch Cup Black Ø90 Ø12x15</p>	<p><b>F2</b></p>  <p>15005884 Washer Latchcup for Ø8</p>	<p><b>F3</b></p>  <p>8x40 6K</p>
<p><b>F4</b></p>  <p>15004713 M8x50 screw, 6K Din 933 Elz, Black</p>	<p><b>F5</b></p>  <p>15001584 Distansehylse D20 d13 h15</p>	<p><b>F6</b></p>  <p>11,3x18x12 Distansehylse B-223 Plast</p>
<p><b>F7</b></p>  <p>15009568 Screw 4,8x32 Selfdrill C.sunk Torx Elz</p>	<p><b>F8</b></p>  <p>36.721004 Window Rubber Profile</p>	<p><b>F9</b></p>  <p>3x10 SE Platescrew countersunk Elzn DIN 7982</p>
<p><b>F10</b></p>  <p>11,3x18x10 11,3x18x10mm Plastic Spacer, B-222</p>	<p><b>F11</b></p>  <p>15003551 M6x16 TX30 pan (DIN 7985)</p>	<p><b>F12</b></p>  <p>6 NMU Nut M6 Nylock</p>
<p><b>F13</b></p>  <p>15017714 Wooden Spacer 9x100x100mm</p>	<p><b>F14</b></p>  <p>15001755 Avstandskloss 110x40x12mm</p>	<p><b>F15</b></p>  <p>4,2x13 Platescrew, flath, poz, needlepin</p>
<p><b>F16</b></p>	<p><b>F17</b></p>	<p><b>F18</b></p>
<p><b>F19</b></p>	<p><b>F20</b></p>	<p><b>F21</b></p>

1.



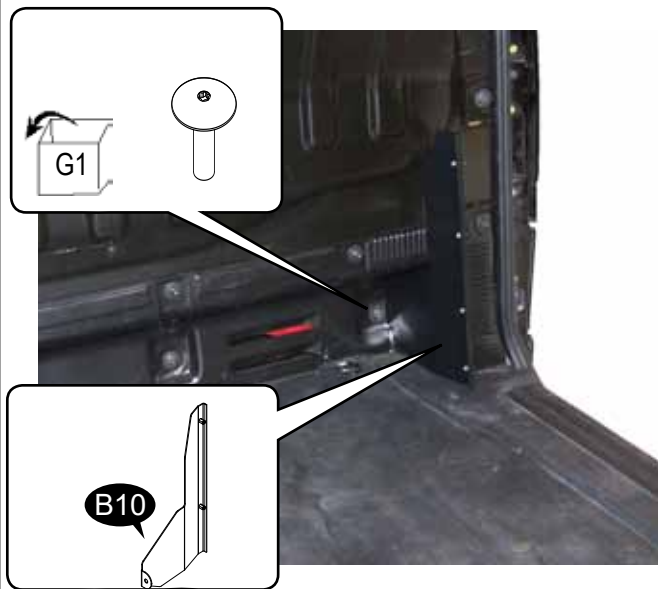
2.

L&R



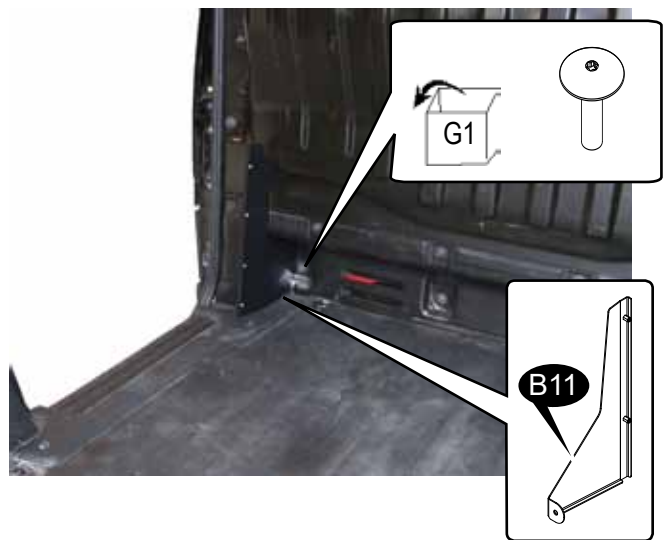
3.

RH



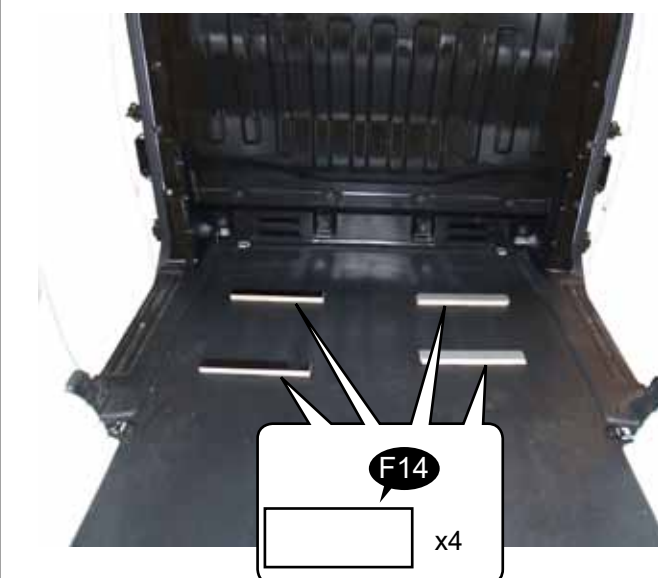
4.

LH



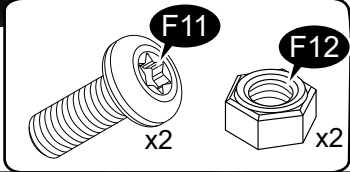
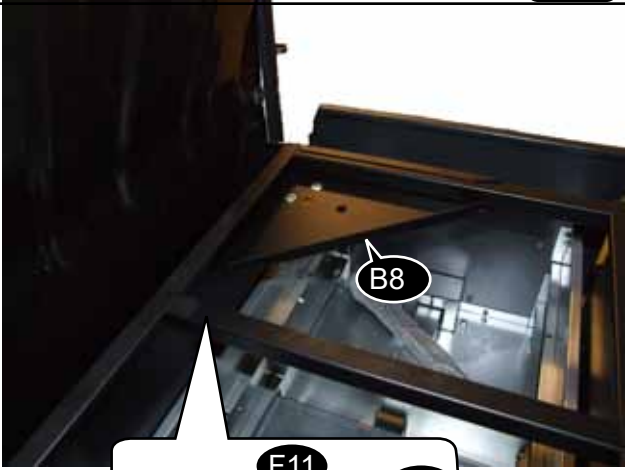
5.

6.



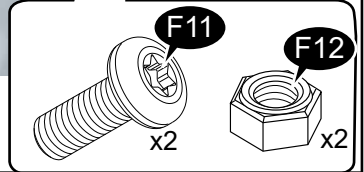
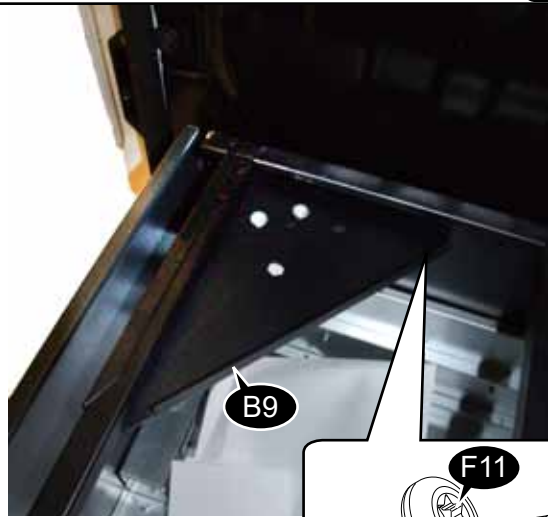
7.

**RH**



8.

**LH**



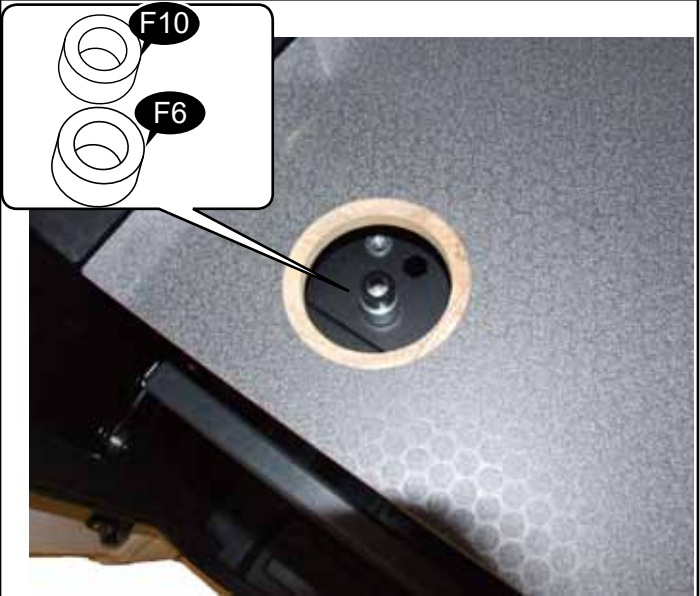
9.

**Front Module**



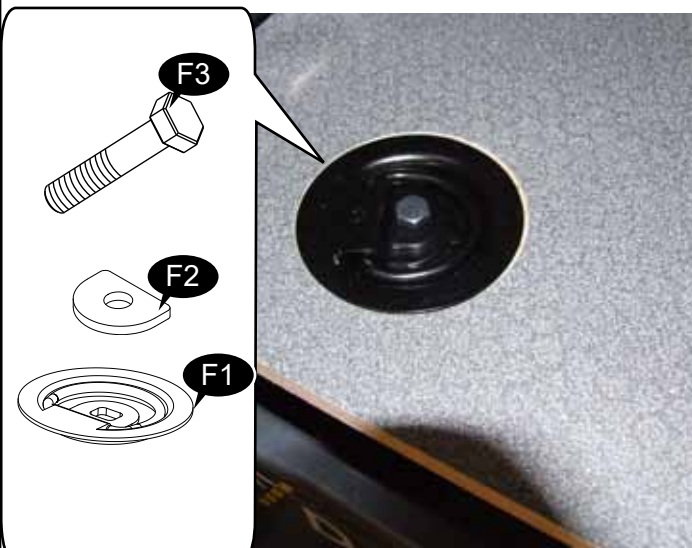
10.

**Front Module L&R**



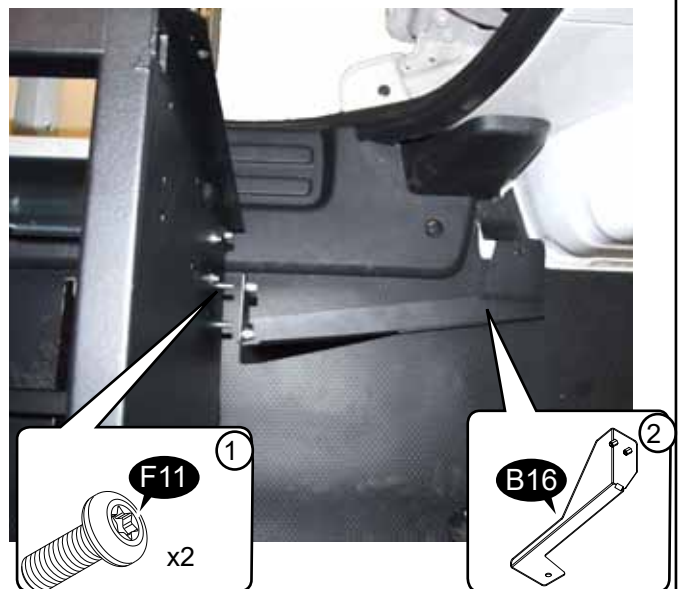
11.

**Front Module L&R**



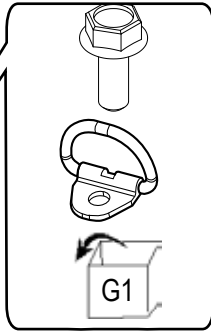
12.

**Front Module RH**



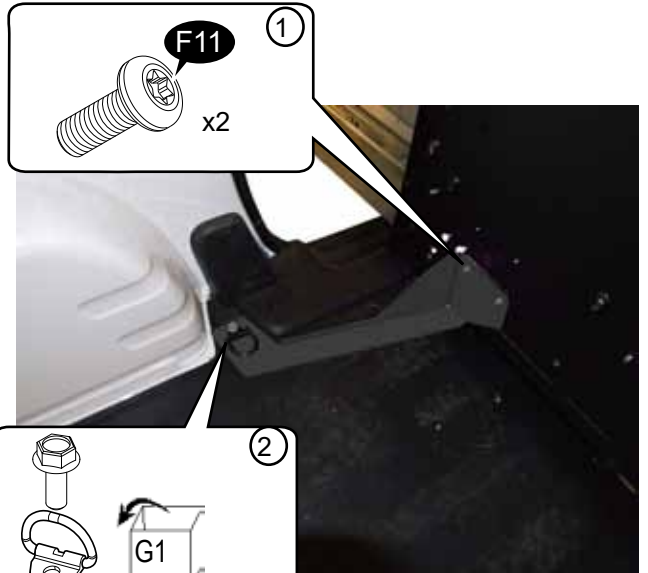
13.

Front Module RH



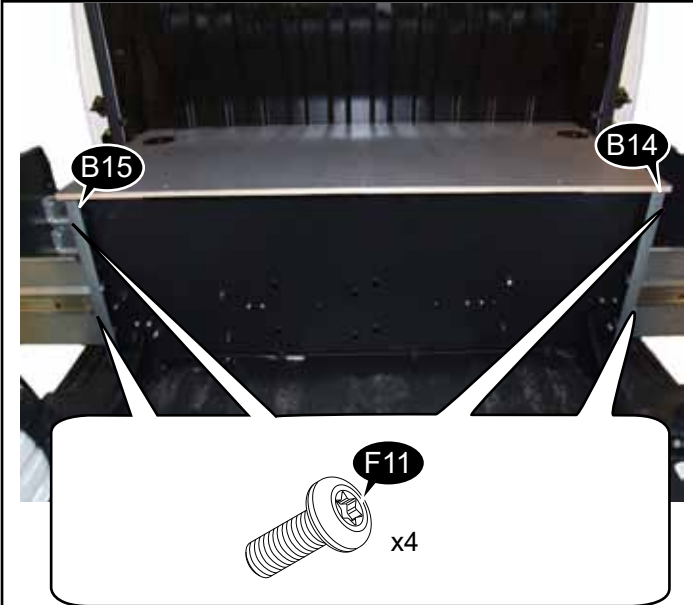
14.

Front Module L&R



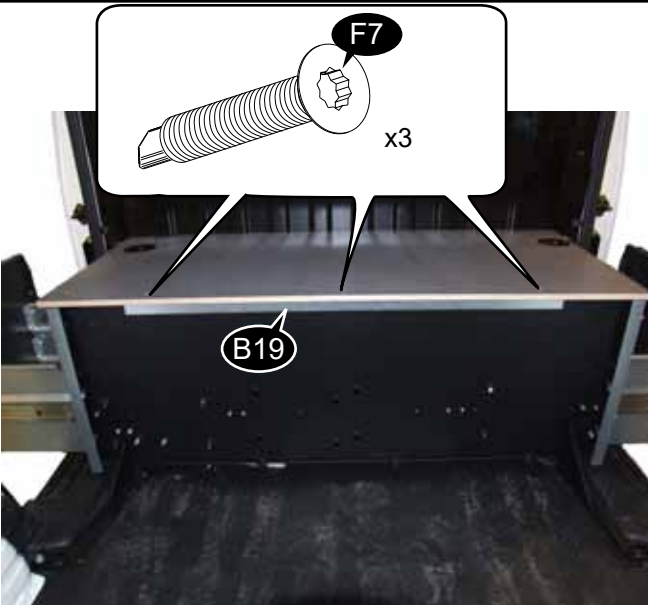
15.

Front Module



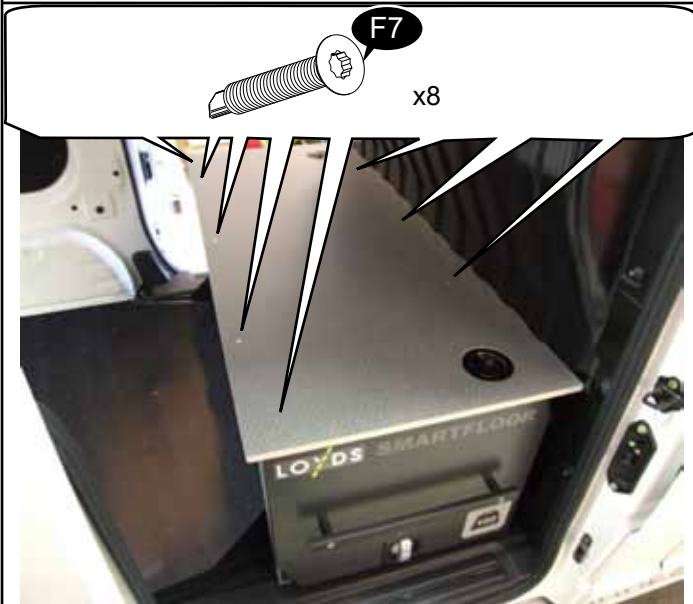
16.

Front Module



17.

Front Module



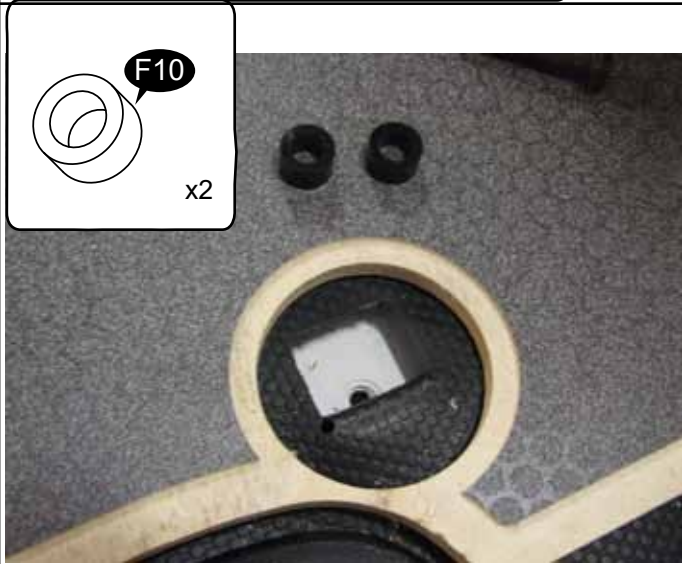
18.

Front Module L&R



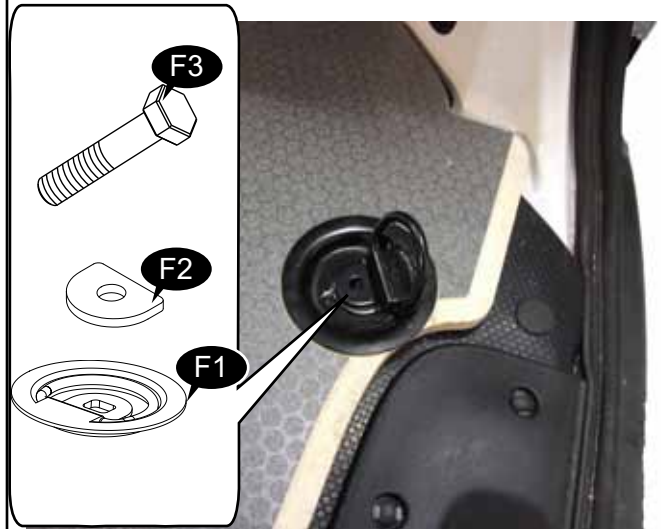
19.

Front Module L&R



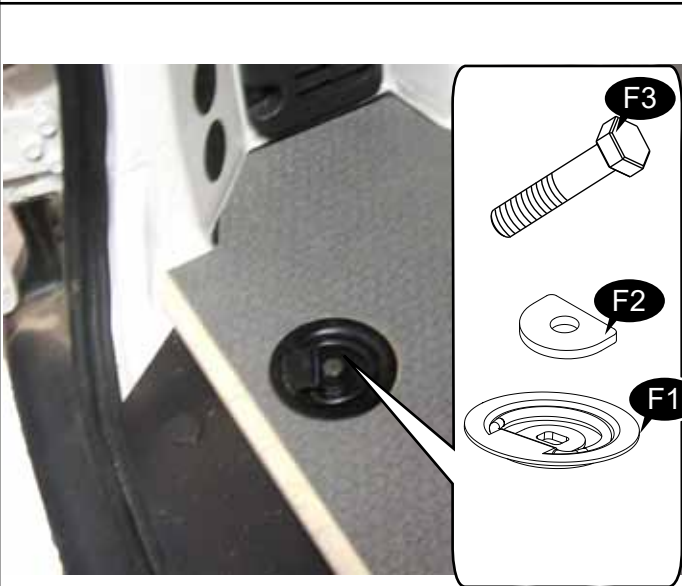
20.

Front Module RH



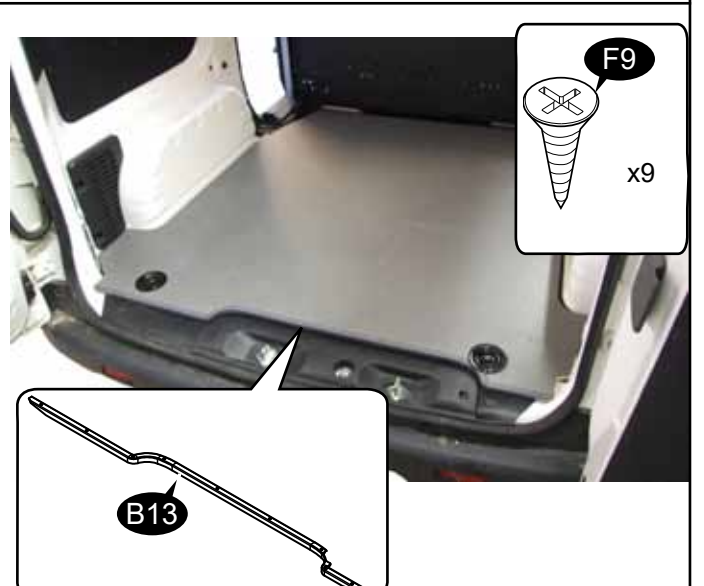
21.

Front Module LH



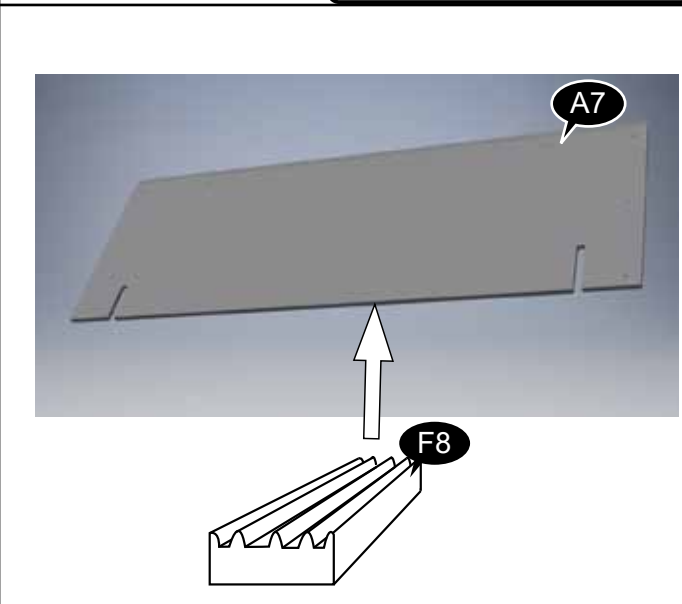
22.

Front Module



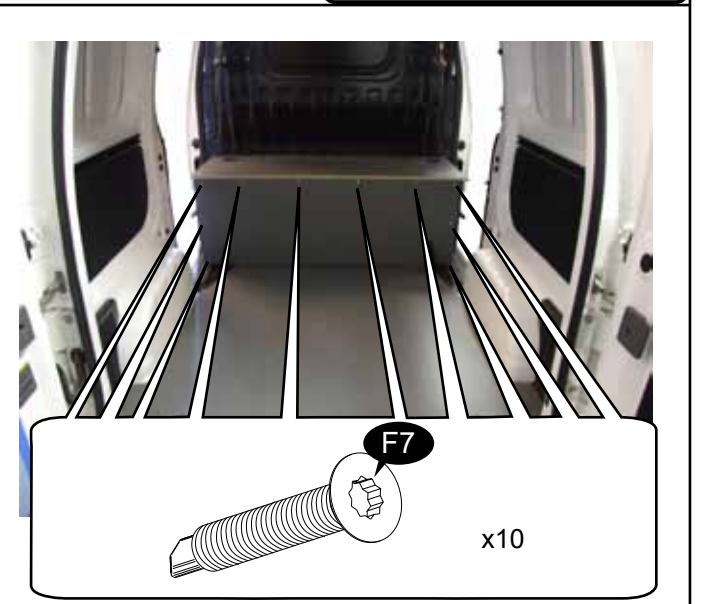
23.

Front Module



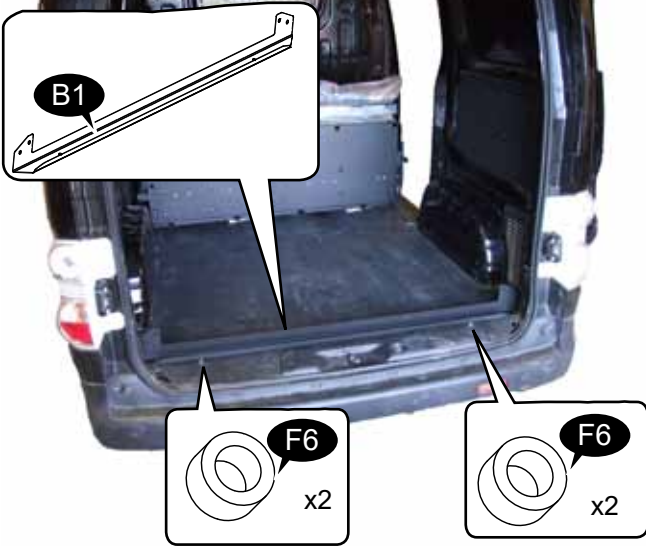
24.

Front Module



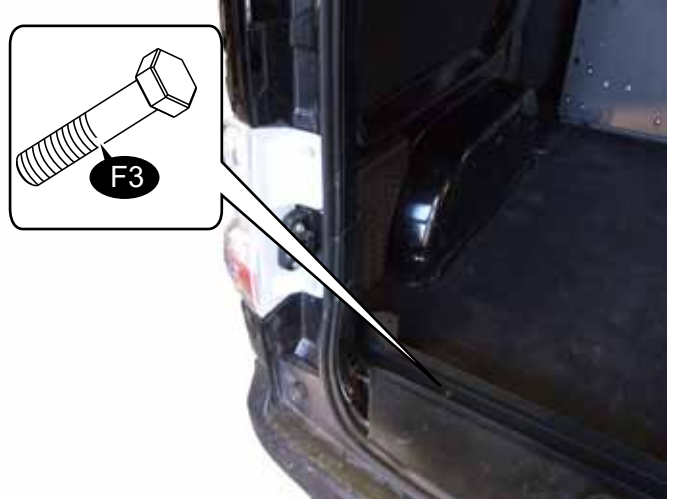


25.



26.

LH



27.

RH

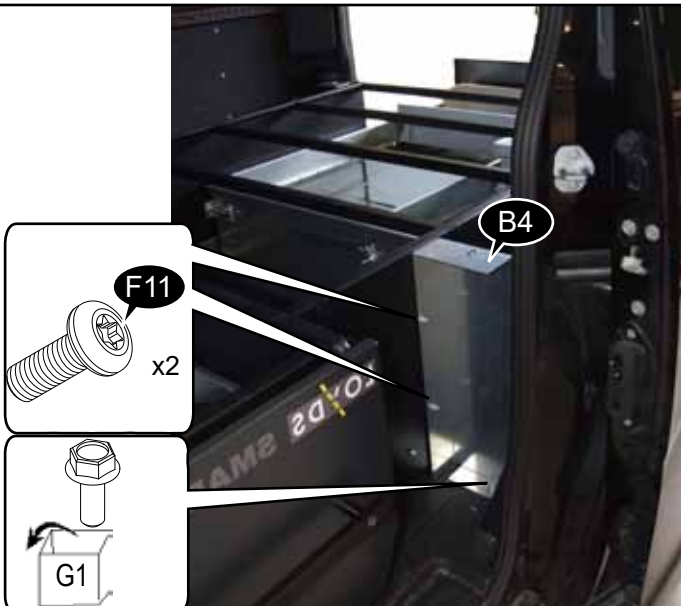


28.



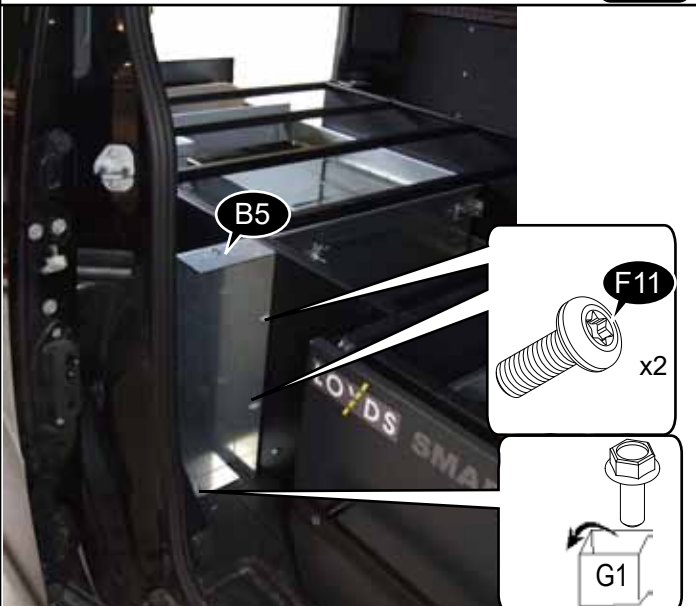
29.

LH



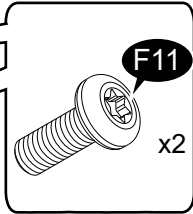
30.

RH



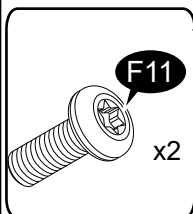
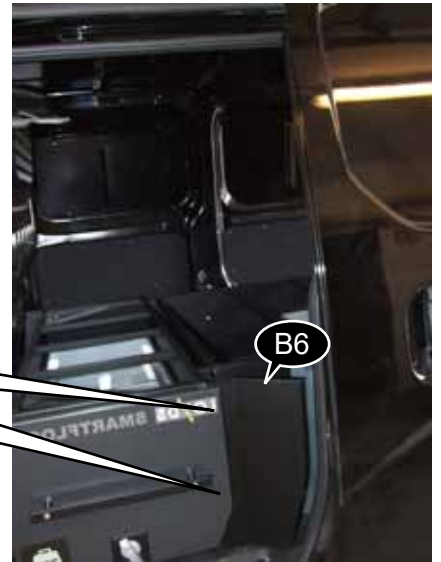
31.

**(RH)**



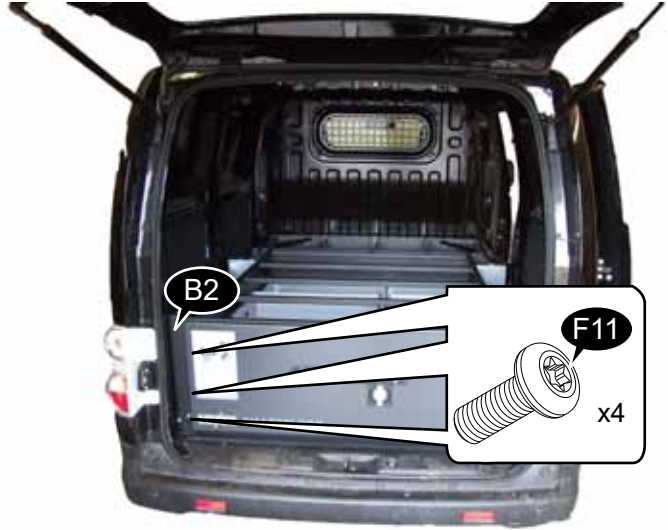
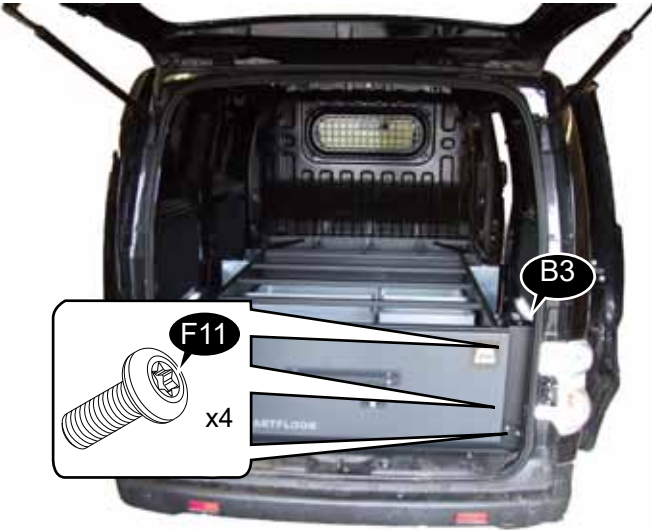
32.

**(LH)**



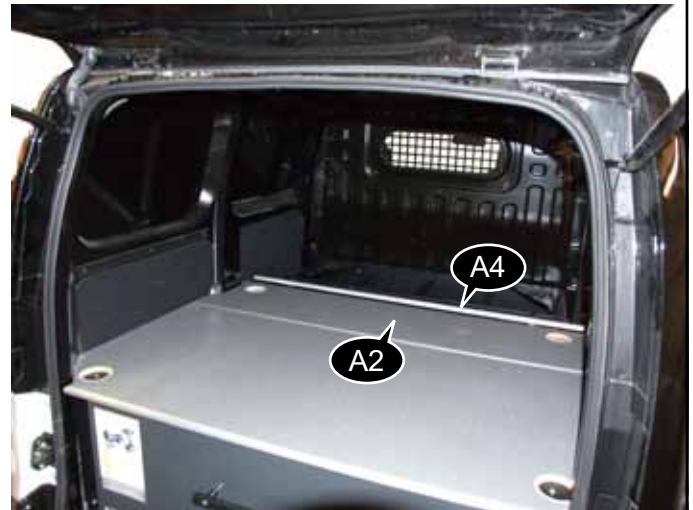
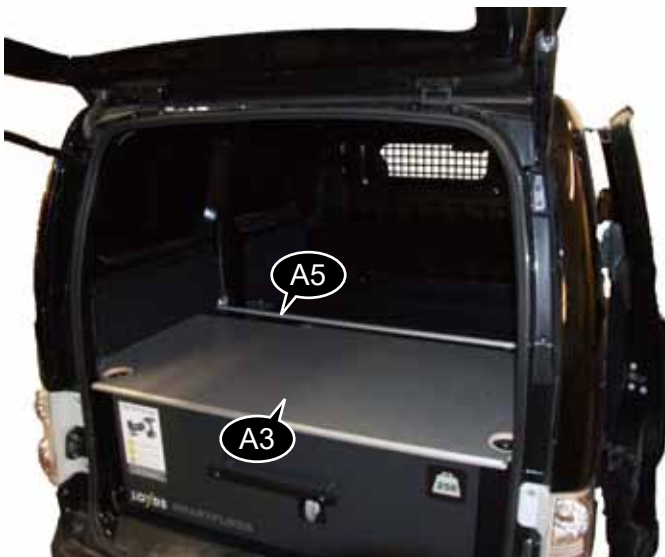
35.

36.

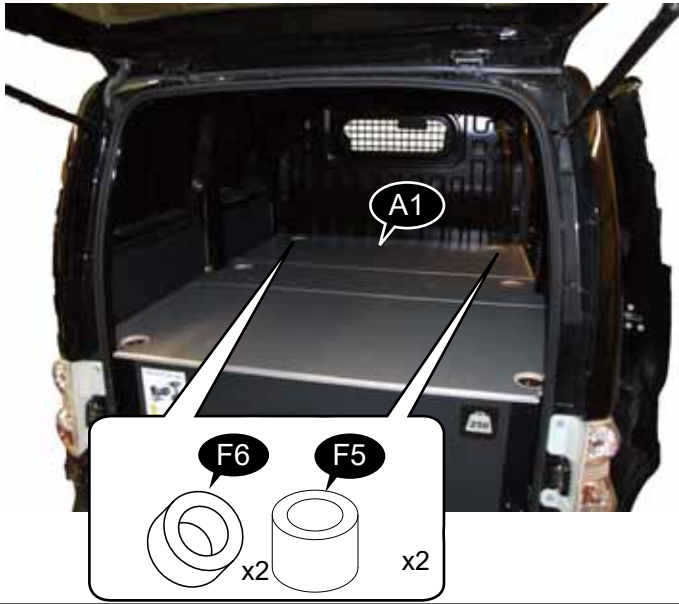


34.

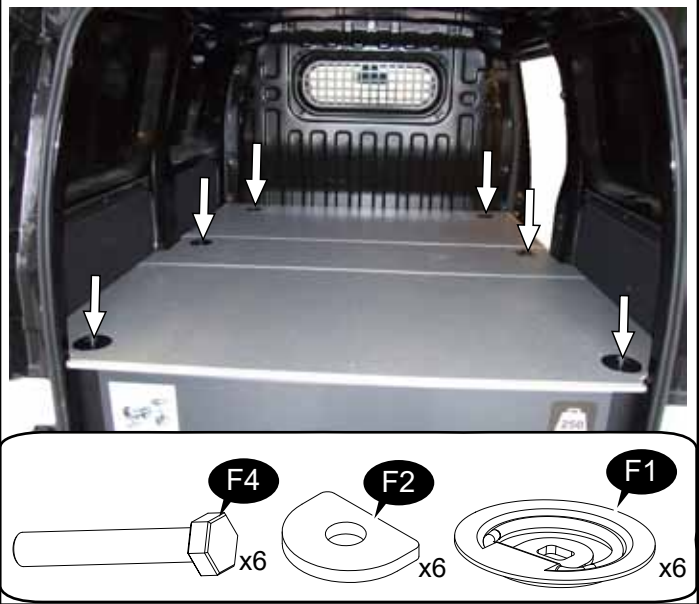
33.



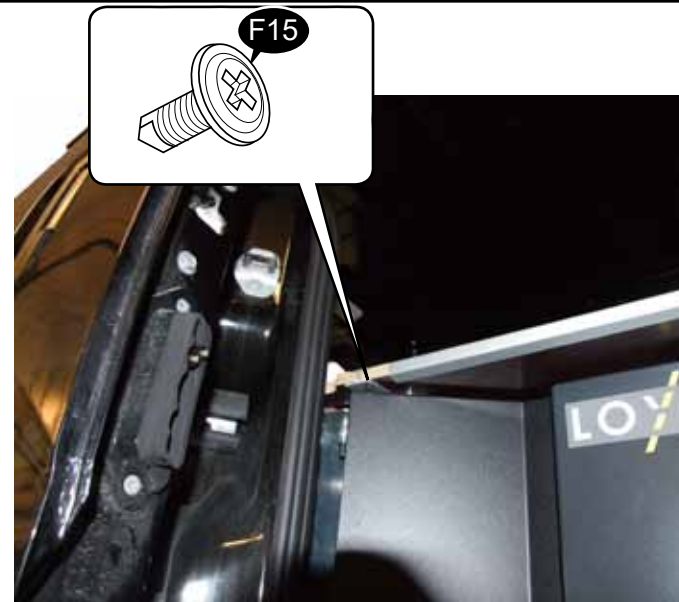
37.



38.

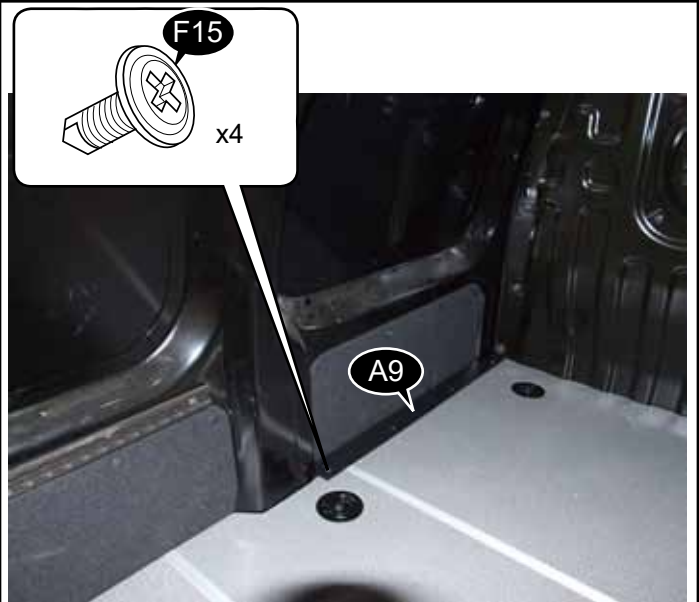


39.



40.

1SLD



41.

42.