

# CLEANOUTS AND ACCESS COVERS



## ADJUSTABLE FLOOR CLEANOUTS



Fig. 4020



Fig. 4031



Fig. 4040



Fig. 4051



Fig. 4100



Fig. 4111



Fig. 4120



Fig. 4131



Fig. 4140



Fig. 4151



Fig. 4160



Fig. 4171



Fig. 4180



Fig. 4191



Fig. 4200



Fig. 4211



Fig. 4220



Fig. 4231



Fig. 4240



Fig. 4237



Fig. 4250



Fig. 4261



Fig. 4280



Fig. 4291

CLEANOUTS

## NON-ADJUSTABLE FLOOR CLEANOUTS



Fig. 4313



Fig. 4318



Fig. 4333



Fig. 4338



Fig. DX4343

## FERRULES WITH ACCESS COVERS



Fig. 4402



Fig. 4422



Fig. 4430



Fig. 4431



Fig. 4432

# CLEANOUTS AND ACCESS COVERS



## FERRULES WITH ACCESS COVERS



Fig. 4433



Fig. 4434



Fig. 4435



Fig. 4436



Fig. 4437



Fig. 4452



Fig. 4472



Fig. 4505



Fig. 4510



Fig. 4530

## CLEANOUT TEES



Fig. 4550



Fig. 4555



Fig. 4710



Fig. SQ-4-1819



Fig. 4715

## CLEANOUT TEES



Fig. 4720



Fig. 4725



Fig. 4730



Fig. 4735



Fig. 4740

## WALL ACCESS COVERS



Fig. 4745



Fig. 4760



Fig. 4765



Fig. 4810



Fig. 4890

## FLOOR ACCESS COVERS



Fig. DX4890

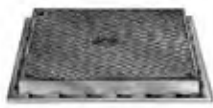


Fig. 4910



Fig. 4915



Fig. 4930



Fig. 4940

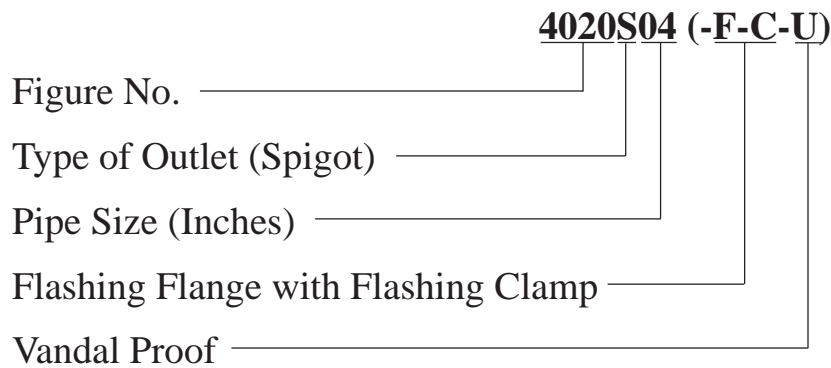
# ORDERING GUIDELINES



## 4000 SERIES

After identifying the proper options required to meet the engineering specification, place order as shown below:

### Examples:



\*All variation suffixes are to be shown in parenthesis.

### Drain Outlet Types:

- C Caulk Outlet
- T Threaded Outlet
- Y NO-HUB Outlet
- L Speedi-Set Service Weight  
(02, 03 & 04" sizes only)
- LXH Speedi-Set Extra Heavy  
(02, 03 & 04" sizes only)

### Example: Pipe Size (Inches)

- 02 - 2"
- 03 - 3"
- 04 - 4"
- etc.

# ADJUSTABLE FLOOR-LEVEL CLEANOUTS TECHNICAL DATA



## HOW TO SELECT A FLOOR CLEANOUT

To make the proper "Cleanout Assembly" selection, the following steps are recommended.

SELECTION OF TOP	SELECTION OF BODY	SELECTION OF CLOSURE PLUG
Shape Style Traffic Function Material	Outlet Type Body Type	Ease Of Removal Type Of Seal

### SELECTION OF TOP

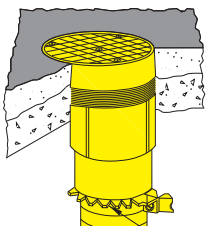


Fig. 1 Round Nickel Bronze Top

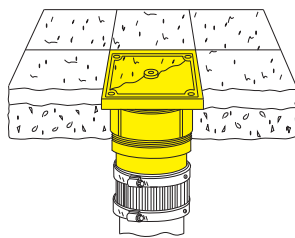


Fig. 2 Square Nickel Bronze Top with Tile Recess

**Shape** - The first step is to select a top which is compatible with the surrounding area. The exposed tops of floor-level cleanouts are considered as pieces of architectural trim. All Smith tops are carefully engineered for easy, fast and safe cover removal for quick access to the closure plug. Cleanout tops should be of the correct shape to blend with the surrounding floor and wall area.

A round top (Fig. 1) is easiest to orient in most floors since it will not conflict with most floor designs or require alignment to adjacent walls.

The square nickel bronze top (Fig. 2) is particularly adaptable to floors that are finished with materials of a square or straight line pattern.

**Style** - All floors in areas or rooms which have finished decorative floors and walls, will require finished floor cleanouts. Examples are offices, hospitals, banks, showrooms and many modern manufacturing areas.

A regular secured nickel bronze scoriated top (Fig. 1) is recommended for most finished floor areas. Nickel bronze non-skid tops blend with most finished floors. In floors where a minimum amount of metal is desired to be shown, cleanout tops are available with a recess to receive the floor materials. Tops are available with a shallow depression to receive vinyl or similar types of floor tile (Fig. 2) or with a lock-in design to receive terrazzo or ceramic tile fill (Fig. 3). All three types of finished floor tops are available in round or square patterns.

Most floors are considered finished floors and nickel bronze tops are recommended; however, there are some areas such as boiler rooms, warehouses and heavy manufacturing areas which may use heavy duty, cast iron tops. In these areas, strength and utility are of prime importance and beauty is a secondary consideration.

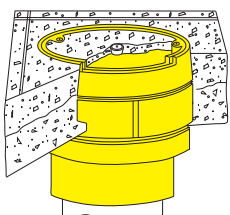


Fig. 3 Terrazzo Top

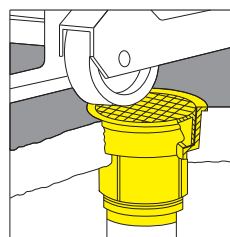


Fig. 4 Tractor-Type Heavy Duty Covers

**Traffic Function** - The top specified must be strong enough to safely carry the loads of anticipated traffic. The regular Smith nickel bronze top is a heavy duty design and can be used for all finished floor areas subject to foot and light vehicular traffic. For finished floors, where heavy traffic is anticipated, such as equipment showrooms, convention areas, etc., Smith offers heavy duty nickel bronze tops. For unfinished floors, subject to heavy vehicular traffic, round, heavy duty cast iron tops should be specified. Smith has available cast iron tops in heavy duty design and non-tilt tractor-type covers. The tractor-type cover (Fig. 4) cannot be tilted out of the cleanout top due to heavy vehicular traffic moving over it.

**Material** - For most finished floors, the Smith scoriated non-skid nickel bronze tops are recommended. Nickel bronze has excellent corrosion resistant qualities, is extremely serviceable, will not discolor and has an attractive surface. Nickel bronze tops will not rust stain the surrounding finished floor area as cast iron tops sometimes do. The "scuff-buff" action of foot traffic passing over a nickel bronze top will actually add to its appearance, giving it a soft silvery patina. Tops are available in special polished cast bronze, for use where tops must blend with other architectural trim.

### SELECTION OF BODY

**Outlet Type** - Bodies which are used with adjustable floor-level cleanout assemblies are available with four types of outlet connections, spigot, Inside Caulk, NO-HUB and Speedi-Set which can be effectively used, depending on the type of connection desired for piping used in the system and compliance with plumbing code stipulations.

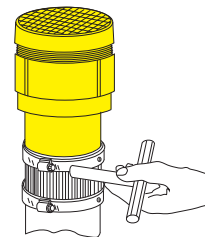


Fig. 5 NO-HUB Outlet Y

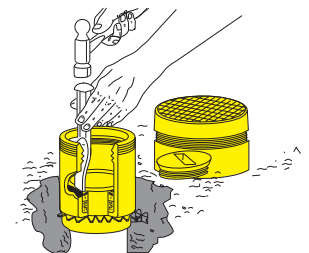


Fig. 6 Inside Caulk Outlet C

"NO HUB" outlet bodies (Fig. 5) are provided with a cut-off groove for added adjustment. Inside caulk outlet bodies (Fig. 6) are desirable when outside access to the joint is cramped or inaccessible. The inside caulk body also permits the use of bald end soil pipe pieces, thus effectively using random lengths of soil pipe without hub. Another advantage is that during the rough-in stage, odd lengths can be run up above the cut-off length and left until later. When cut-off elevation is finally established, these can then be snapped and the cleanout body caulked in place.

"Speedi-Set" cleanouts (Fig. 7) are the easiest type to install. The "Speedi-Set" Neoprene Gasket, will slide over a NO-HUB, Service Weight or Extra Heavy bald end soil pipe stub. Tops from Fig. 4020 thru 4250 series can be used with a "Speedi-Set" body to achieve the desired cleanout assembly.

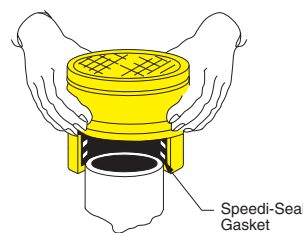


Fig. 7 Speedi-Set Body L

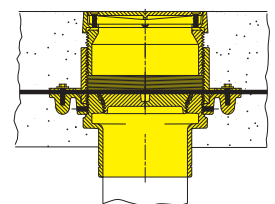


Fig. 8 With Flange -F and Flashing Clamp -C

**Body Type** - Occasionally cleanouts must be installed in areas where a continuous waterproof membrane is used. All variations of Smith Adjustable Floor-Level Cleanouts can be furnished with an integrally cast flange with a flashing clamp (Fig. 8). However, it must be noted that seepage control cannot be provided since cleanouts must be gas tight units. A flange is also desirable as it rigidly anchors the cleanout body in the concrete slab.

## SELECTION OF CLOSURE PLUG

**Ease of Removal** - All Smith cleanout closures feature extra heavy plugs. The Smith countersunk type of design is regularly furnished and recommended. This type of plug has a slot sized to receive a piece of 1/2" bar stock, which eliminates the need for any special tools or wrenches (Fig. 9).



Fig. 9 Slotted Plug Removal

**Type of Seal** - All closures are gas tight and water tight. The gasket seal closure (Fig. 10) features a seal which is formed by the shoulder of the plug and the gasket seal. The taper thread type (Fig. 11) relies on the make up of the thread for the seal.

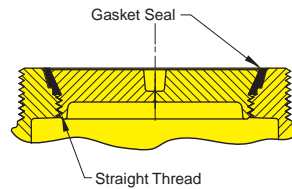


Fig. 10 Gasket Seal Closure

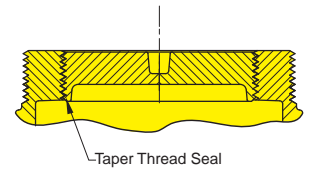


Fig. 11 Taper Thread Closure

## FEATURES OF THE "TWIS-TO-FLOOR"® DESIGN

Smith engineers have designed a floor-level adjustable cleanout which features the "Twis-To-Floor"® concept (Fig. 12).

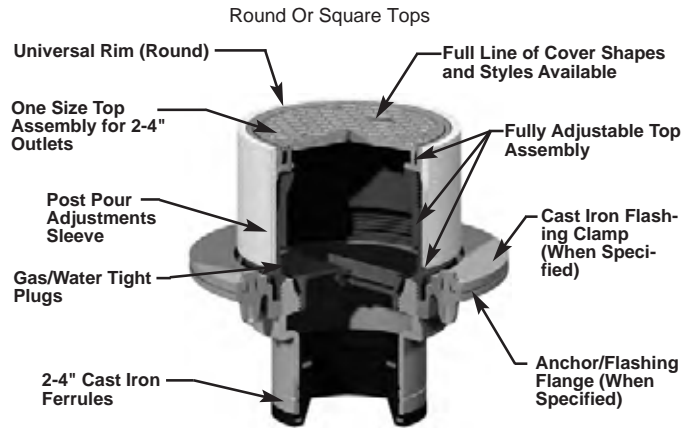


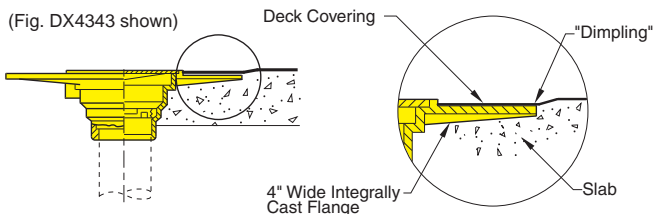
Fig. 12 The Twis-To-Floor® Cleanout

## WIDE FLANGE CLEANOUTS

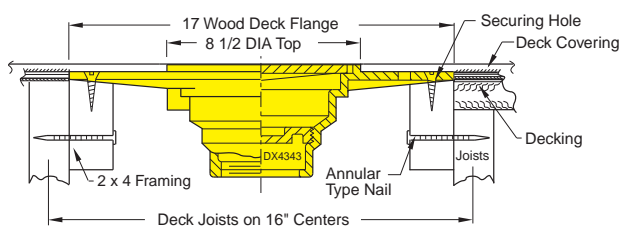
**Prefix DX** - Designates a wide flange that can be furnished on certain Smith Cleanouts. This flange receives and serves as a bonding base for the membranes and coatings of waterproof floor covering systems. These coverings consist of thin coatings which are applied in a series of trowel coats. The covering forms its own membrane, flashing and durable traffic surface. The wide DX flange is regularly furnished 4" in width. The usual covering is approximately 3/16" thick and may be applied over many subsurfaces such as concrete, gypsum or wood decks. Such coverings are particularly adaptable to areaways, plazas, floors and corridors.

When DX flange is required on cleanouts other than those shown in this section, the prefix DX must be used with the figure number and the lip dimension must be specified. If waterproof deck covering thickness is greater (or less) than 3/16, the lip dimension must be specified. Cleanout body should be set low enough to permit "dimpling" of area surrounding drain.

Illustrated is a typical waterproof traffic bearing floor covering installation and an example of the "dimpling" effect.

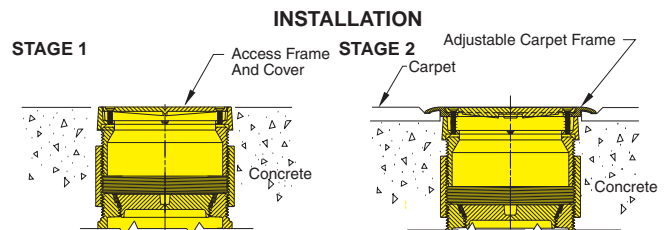


### WOOD DECK INSTALLATION



## CARPETED FLOOR CLEANOUTS

**Suffix -X** - Carpet Clamping Frame (4020, 4025 and 4031 Series only). Adjustable cleanout assembly is installed with nickel bronze frame and secured cover flush with concrete slab (Fig. 13). This serves as a functional, safe, "Flush-with-Floor" cleanout, during period prior to carpet installation. Carpet is cut to fit around lower cleanout frame and cover is removed. Carpet is clamped against slab with "Carpet Clamping Frame." Cover is then installed and secured in clamping frame (Fig. 14).



NOTE: Cover installed in lower frame at this stage.

Fig. 13

NOTE: Cover removed from stage No. 1 and used with carpet frame.

Fig. 14

**Suffix -Y** - Carpet cleanout Marker (Fig. 15) - Used with 4020 and 4025 series cleanouts, 1 1/2" diameter stainless steel marker serves as cleanout locator in carpeted floors. When access to drain line is required, marker locates cleanout. Carpet over cleanout is cut for accessibility to closure plug. After drain line is cleaned, carpet is replaced and marker re-installed.

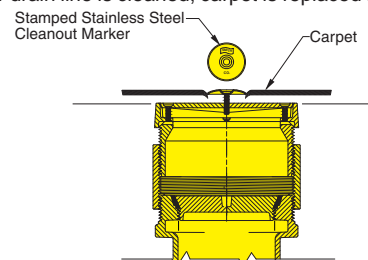


Fig. 15

NOTE: For additional Cleanout and Access Cover technical or application data go to our web site at [www.jrsmith.com](http://www.jrsmith.com) or contact your local Jay R. Smith Representative.

# URINAL CLEANOUTS

## FIG. SQ-4-1819 ROUND POLISHED STAINLESS STEEL WALL COVER PLATE AND GAS TIGHT CLOSURE



**FUNCTION:** Recommended for use as a cleanout where a wall access plate is required.



<b>OPTIONS:</b>		<b>ADD</b>
-NB	Nickle Bronze .....	.POA
-SS	Stainless Steel .....	.POA

<b>SIZE</b>	<b>SQ-4-1819</b>
1.5-2	51.00

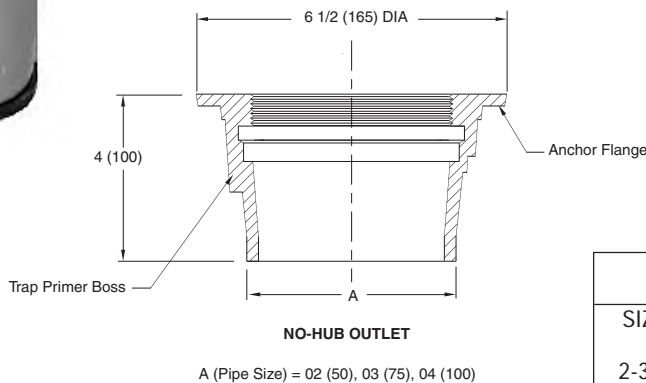
**REGULARLY FURNISHED:** Tapered Plug, Threaded Brass Insert, Urethane Rubber Seal, Complete with Polished Stainless Steel Access Cover and Stainless Steel Vandalproof Screw.

## FIG. SQ-4-1753 ADJUSTABLE FLOOR CLEANOUT FOR NON-MEMBRANE FLOORS

**FUNCTION:** to come



<b>OPTIONS:</b>		<b>ADD</b>
-SP	Seal Plug .....	45.00
-VP	Vandal Proof Screws .....	10.00
-Y	Carpet Marker .....	N/C
-G	Galvanized Body .....	54.00



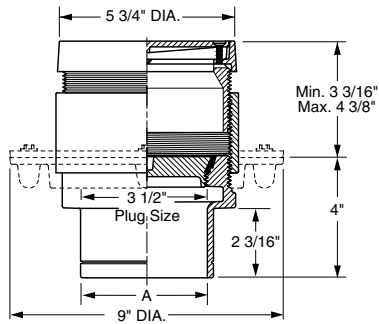
	GENERAL DUTY NB	HD DUTY SS	HD DUTY NB	GENERAL DUTY NB
SIZE	ROUND NB (-NBCO)	ROUND NB (-SSCO)	ROUND HD (-XNBCO)	SQUARE NB (-SQNBCO)
2-3-4	210	220	230	290

**REGULARLY FURNISHED:** Duco Cast Iron Body with Adjustable Cast Iron Cleanout and Scoriated Gasketed Cover.

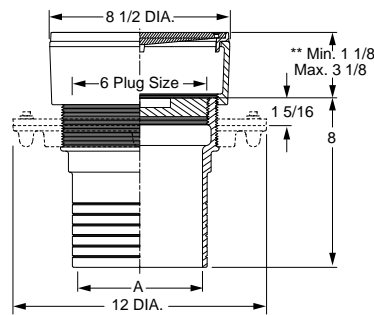
# CLEANOUTS

## FIG. 4020-4033 SERIES FINISHED FLOOR CLEANOUTS W/ADJUSTABLE ROUND MEDIUM DUTY TOPS

**FUNCTION:** For use in finished floors bearing foot and medium load wheeled traffic. Allows for easy floor level adjustment.



**4020 SERIES**

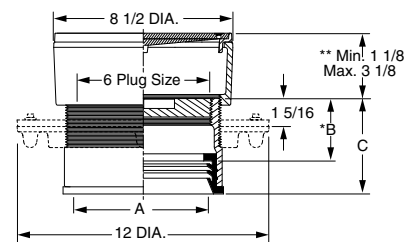


**4023 SERIES**

**OPTIONS:**

-DX	Wide Flange only for 2-4"	.....	284.00
-F	Flange	.....	N/C
-FC	Flange w/Flashing Clamp	.....	216.00
-G	Galvanized CI	.....	50.00
-IP	Iron Plug (In lieu of ABS)	.....	53.00
-U	Vandal Proof Screws	.....	55.00
-X	Carpet Clamping Type	.....	170.00
-Y	Carpet Marker Type	.....	27.00

**ADD**



**4033 SERIES**

A SIZE	B	C
06	*3	4 9/16
08	*3 1/4	4 13/16

**NOTE:** When Flange -F is specified, Min. 1 1/8" becomes 1 5/8"

WITH ABS PLUG	SPIGOT- OUTLET	INSIDE CAULK OUTLET	SPEEDI- SET*	A - OUTLET SIZE						
				COVER MATERIAL	02"	03"	04"	♦05"	**06"	**08"
Gasket Seal Plug	4020S	4025C	4031L	†Nickel Bronze (-NB)	234.00	234.00	234.00	POA	-	-
				Polished Bronze (-PB)	234.00	234.00	234.00	POA	-	-
Taper Thread Plug	♦4024S	4029C	4034L	†Nickel Bronze (-NB)	250.00	250.00	250.00	POA	-	-
				Polished Bronze (-PB)	250.00	250.00	250.00	POA	-	-
WITH BRZ PLUG	SPIGOT- OUTLET	INSIDE CAULK OUTLET	SPEEDI- SET*	A - OUTLET SIZE						
				COVER MATERIAL	02"	03"	04"	♦05"	**06"	**08"
Gasket Seal Plug	4021S	4026C	4032L	†Nickel Bronze (-NB)	327.00	327.00	327.00	700.00	851.00	961.00
				Polished Bronze (-PB)	327.00	327.00	327.00	700.00	851.00	961.00
Taper Thread Plug	■4023S**	4028C	4033L**	†Nickel Bronze (-NB)	343.00	343.00	343.00	716.00	867.00	977.00
				Polished Bronze (-PB)	343.00	343.00	343.00	716.00	867.00	977.00
APPROX WT. LBS.				14	15	19	25	28	32	

**REGULARLY FURNISHED:** Duco Cast Iron Cleanout with Round Adjustable Scoriated Secured Nickel Bronze Top. Closure Plug Type as Indicated By Figure Number Selected.

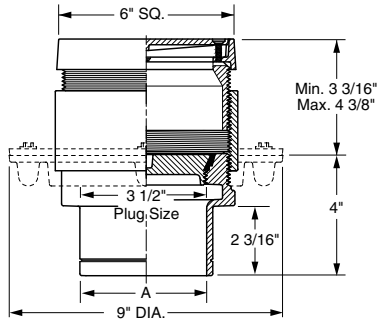
- \*\* 6 & 8" Available w/Bronze Taper Plug Only.
- 5, 6 & 8" Not Available w/Inside Caulk Outlet.
- ♦ 5" Available w/Spigot Outlet Only.
- Same as 4024 W/Taper Thread Bronze Plug
- ❖ Same as 4023 W/Taper Thread ABS Plug
- \* Speedi-Set Outlet Available with 2, 3, 4, 6 or 8" Connection Only. Specify Service Weight (LXH) or PVC (LPVC). LPVC applies to 6" pipe size only.
- Spigot Ferrules are Suitable for use with No-Hub Connections.

# CLEANOUTS

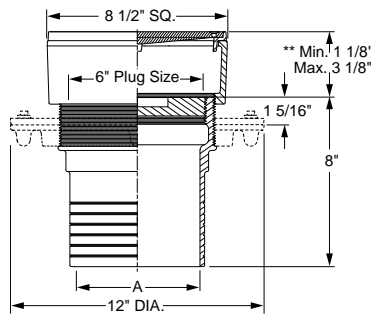
## FIG. 4040-4053 SERIES FINISHED FLOOR CLEANOUTS W/ADJUSTABLE SQUARE MEDIUM DUTY TOPS



**FUNCTION:** For use in finished floors bearing foot and medium load wheeled traffic. The square top is particularly adaptable to floors that are finished of material in straight line patterns. Allows for easy floor level adjustment.



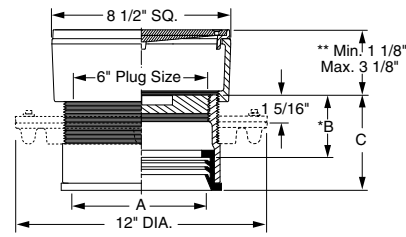
**4040 SERIES**



**4043 SERIES**

**OPTIONS:**

-DX	Wide Flange only for 2-4"	ADD	284.00
-F	Flange	N/C	
-FC	Flange w/Flashing Clamp		216.00
-G	Galvanized CI		50.00
-IP	Iron Plug (In lieu of ABS)		53.00
-U	Vandal Proof Screws		55.00
-X	Carpet Clamping Type		170.00
-Y	Carpet Marker Type		27.00



**4053 SERIES**

A SIZE	B	C
06	*3	4 9/16
08	*3 1/4	4 13/16

**NOTE:** When Flange -F is specified, Min. 1 1/8" becomes 1 5/8"

WITH ABS PLUG	SPIGOT- OUTLET	INSIDE CAULK OUTLET	SPEEDI- SET*	A - OUTLET SIZE						
				COVER MATERIAL	02"	03"	04"	♦05"	**06"	**08"
Gasket Seal Plug	4040S	4045C	4051L	†Nickel Bronze (-NB)	240.00	240.00	240.00	POA	-	-
				Polished Bronze (-PB)	240.00	240.00	240.00	POA	-	-
Taper Thread Plug	4044S	4049C	4054L	†Nickel Bronze (-NB)	256.00	256.00	256.00	POA	-	-
				Polished Bronze (-PB)	256.00	256.00	256.00	POA	-	-
WITH BRZ PLUG	SPIGOT- OUTLET	INSIDE CAULK OUTLET	SPEEDI- SET*	A - OUTLET SIZE						
				COVER MATERIAL	02"	03"	04"	♦05"	**06"	**08"
Gasket Seal Plug	4041S	4046C	4052L	†Nickel Bronze (-NB)	333.00	333.00	333.00	715.00	943.00	1,054.00
				Polished Bronze (-PB)	333.00	333.00	333.00	715.00	943.00	1,054.00
Taper Thread Plug	4043S**	4048C	4053L**	†Nickel Bronze (-NB)	349.00	349.00	349.00	731.00	959.00	1,070.00
				Polished Bronze (-PB)	349.00	349.00	349.00	731.00	959.00	1,070.00
<b>APPROX WT. LBS.</b>				14	15	19	25	28	32	

**REGULARLY FURNISHED:** Duco Cast Iron Cleanout with Square Adjustable Scoriated Secured Nickel Bronze Top. Closure Plug Type as Indicated By Figure Number Selected.

\*\* 6 & 8" Available w/Bronze Taper Plug Only.

5, 6 & 8" Not Available w/Inside Caulk Outlet.

\* Speedi-Set Outlet Available with 2, 3, 4, 6 or 8" Connection Only. Specify Service Weight (L), Extra Heavy (LXH) or PVC (LPVC). LPVC applies to 6" pipe size only.

• Spigot Ferrules are Suitable for use with No-Hub Connections.

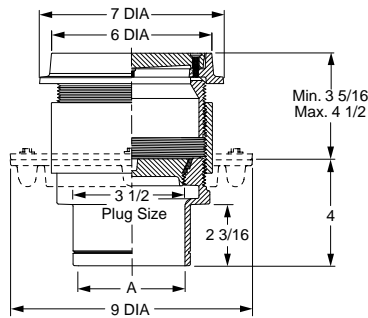
♦ 5" Available w/Spigot Outlet Only.



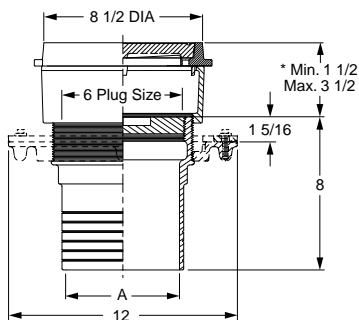
# CLEANOUTS

## FIG. 4100-4113 SERIES FINISHED FLOOR CLEANOUTS W/ADJUSTABLE ROUND EXTRA HEAVY DUTY TOPS

**FUNCTION:** Used in hospital, school, institutional and industrial buildings where floors are subject to heavy load traffic.



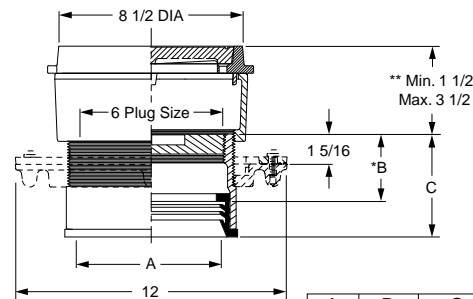
**4100 Series  
2" & 5" Sizes**



**4103 Series  
6" & 8" Sizes**

**OPTIONS:**

-DX	Wide Flange only for 2-4"	284.00	ADD
-F	Flange	N/C	
-FC	Flange w/Flashing Clamp	216.00	
-G	Galvanized Cl	50.00	
-IP	Iron Plug (In lieu of ABS)	53.00	
-U	Vandal Proof Screws	55.00	



**4113 Series  
6" & 8" Sizes**

A SIZE	B	C
06	*3	4 9/16
08	*3 1/4	4 13/16

**NOTE:** When Flange -F is specified, Min. 1 1/2" becomes 2"

WITH ABS PLUG	SPIGOT- OUTLET	INSIDE CAULK OUTLET	SPEEDI- SET*	A - OUTLET SIZE						
				COVER MATERIAL	02"	03"	04"	♦05"	**06"	**08"
Gasket Seal Plug	4100S	4105C	4111L	†Nickel Bronze (-NB)	415.00	415.00	415.00	POA	-	-
				Polished Bronze (-PB)	415.00	415.00	415.00	POA	-	-
Taper Thread Plug	4104S	4109C	4114L	†Nickel Bronze (-NB)	431.00	431.00	431.00	POA	-	-
				Polished Bronze (-PB)	431.00	431.00	431.00	POA	-	-
WITH BRZ PLUG	SPIGOT- OUTLET	INSIDE CAULK OUTLET	SPEEDI- SET*	A - OUTLET SIZE						
				COVER MATERIAL	02"	03"	04"	♦05"	**06"	**08"
Gasket Seal Plug	4101S	4106C	4112L	†Nickel Bronze (-NB)	508.00	508.00	508.00	987.00	914.00	1,335.00
				Polished Bronze (-PB)	508.00	508.00	508.00	987.00	914.00	1,302.00
Taper Thread Plug	**4103S	4108C	**4113L	†Nickel Bronze (-NB)	524.00	524.00	524.00	987.00	930.00	1,335.00
				Polished Bronze (-PB)	524.00	524.00	524.00	987.00	930.00	1,302.00
<b>APPROX WT. LBS.</b>					14	15	19	25	28	32

**REGULARLY FURNISHED:** Duco Cast Iron Cleanout with Round Adjustable Scoriated Secured Nickel Bronze Top. Closure Plug Type as Indicated By Figure Number Selected.

- \*\* 6 & 8" Available w/Bronze Taper Plug Only.
- 5, 6 & 8" Not Available w/Inside Caulk Outlet.
- \* Speedi-Set Outlet Available with 2, 3, 4, 6 or 8" Connection Only. Specify Service Weight (L), Extra Heavy (LXH) or PVC (LPVCE). LPVC applies to 6" pipe size only.
- Spigot Ferrules are Suitable for use with No-Hub Connections.
- ♦ 5" Available w/Spigot Outlet Only.

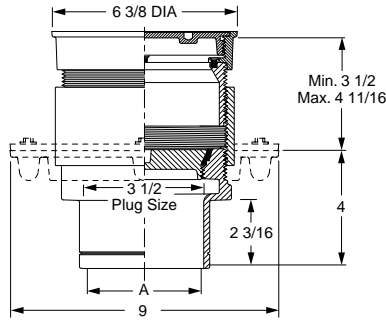
CLEANOUTS

# CLEANOUTS

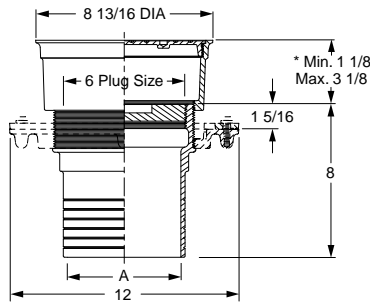
## FIG. 4120-4133 SERIES FINISHED FLOOR CLEANOUTS W/ADJUSTABLE ROUND TOP W/THREADED SPANNER WRENCH COVER



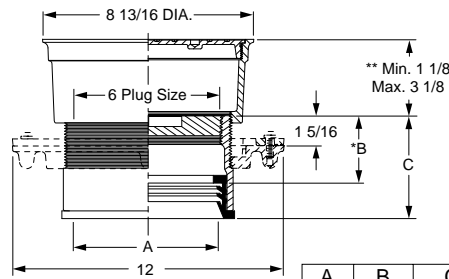
**FUNCTION:** Used in finished floors subjected to pedestrian traffic when threaded watertight cover is desired.



**4120 Series  
2" - 5" Sizes**



**4123 Series  
6" & 8" Sizes**



**4133 Series  
6" & 8" Sizes**

A SIZE	B	C
06	*3	4 9/16
08	*3 1/4	4 13/16

**NOTE:** When Flange -F is specified, Min. 1 1/8" becomes 1 5/8"

WITH ABS PLUG	SPIGOT• OUTLET	INSIDE CAULK OUTLET	SPEEDI- SET*	A - OUTLET SIZE						
				COVER MATERIAL	02"	03"	04"	♦05"	**06"	**08"
Gasket Seal Plug	4120S	4125C	4131L	†Nickel Bronze (-NB)	556.00	556.00	556.00	POA	-	-
				Polished Bronze (-PB)	556.00	556.00	556.00	POA	-	-
Taper Thread Plug	4124S	4129C	4134L	†Nickel Bronze (-NB)	572.00	572.00	572.00	POA	-	-
				Polished Bronze (-PB)	572.00	572.00	572.00	POA	-	-
WITH BRZ PLUG	SPIGOT• OUTLET	INSIDE CAULK OUTLET	SPEEDI- SET*	A - OUTLET SIZE						
				COVER MATERIAL	02"	03"	04"	♦05"	**06"	**08"
Gasket Seal Plug	4121S	4126C	4132L	†Nickel Bronze (-NB)	665.00	665.00	665.00	1,060.00	1,290.00	2,050.00
				Polished Bronze (-PB)	665.00	665.00	665.00	1,060.00	1,290.00	2,050.00
Taper Thread Plug	**4123S	4128C	**4133L	†Nickel Bronze (-NB)	681.00	681.00	681.00	1,072.00	1,306.00	2,062.00
				Polished Bronze (-PB)	681.00	681.00	681.00	1,072.00	1,306.00	2,062.00
<b>APPROX WT. LBS.</b>				14	15	19	25	28	32	

**REGULARLY FURNISHED:** Duco Cast Iron Cleanout with Round Adjustable Scoriated Secured Nickel Bronze Top. Closure Plug Type as Indicated By Figure Number Selected.

\*\* 6 & 8" Available w/Bronze Taper Plug Only.

5, 6 & 8" Not Available w/Inside Caulk Outlet.

\* Speedi-Set Outlet Available with 2, 3, 4, 6 or 8" Connection Only. Specify Service Weight (L), Extra Heavy (LXH) or PVC (LPVC). LPVC applies to 6" pipe size only.

• Spigot Ferrules are Suitable for use with No-Hub Connections.

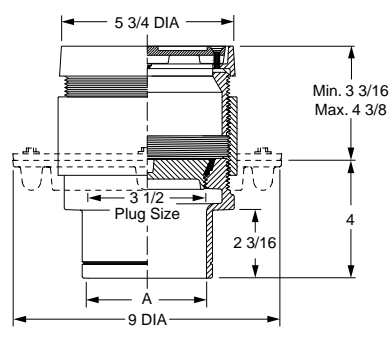
♦ 5" Available w/Spigot Outlet Only.

# CLEANOUTS

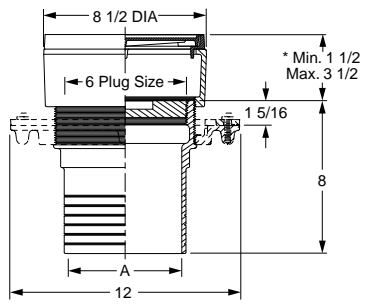


## FIG. 4140-4153 SERIES FINISHED FLOOR CLEANOUTS W/ADJUSTABLE ROUND TOP WITH TILE RECESS

**FUNCTION:** For use in floors and areas which are covered with a floor covering such as asphalt or vinyl tile, linoleum, etc., bearing foot and medium load wheeled traffic. Tile recess receives inlay of floor material, presenting an unobtrusive appearance. Allows for easy floor level adjustment.

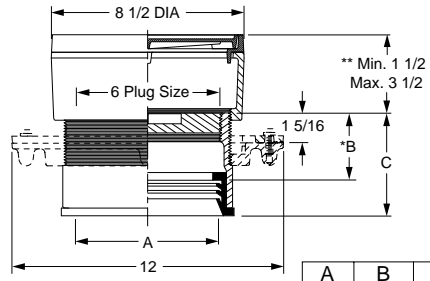


**4140 Series  
2" - 5" Sizes**



**4143 Series  
6" & 8" Sizes**

- OPTIONS:**
- DX Wide Flange only for 2-4" .....284.00
  - F Flange .....N/C
  - FC Flange w/Flashing Clamp .....216.00
  - G Galvanized Cl .....50.00
  - IP Iron Plug (In lieu of ABS).....53.00
  - U Vandal Proof Screws .....55.00



**4153 Series  
6" & 8" Sizes**

A SIZE	B	C
06	*3	4 9/16
08	*3 1/4	4 13/16

**NOTE:** When Flange -F is specified, Min. 1 1/2" becomes 2"

WITH ABS PLUG	SPIGOT-OUTLET	INSIDE CAULK OUTLET	SPEEDI-SET*	A - OUTLET SIZE						
				COVER MATERIAL	02"	03"	04"	♦05"	**06"	**08"
Gasket Seal Plug	4140S	4145C	4151L	†Nickel Bronze (-NB)	253.00	253.00	253.00	POA	-	-
				Polished Bronze (-PB)	253.00	253.00	253.00	POA	-	-
Taper Thread Plug	4144S	4149C	4154L	†Nickel Bronze (-NB)	269.00	269.00	269.00	POA	-	-
				Polished Bronze (-PB)	269.00	269.00	269.00	POA	-	-
WITH BRZ PLUG	SPIGOT-OUTLET	INSIDE CAULK OUTLET	SPEEDI-SET*	A - OUTLET SIZE						
				COVER MATERIAL	02"	03"	04"	♦05"	**06"	**08"
Gasket Seal Plug	4141S	4146C	4152L	†Nickel Bronze (-NB)	346.00	346.00	346.00	822.00	822.00	961.00
				Polished Bronze (-PB)	346.00	346.00	346.00	822.00	822.00	961.00
Taper Thread Plug	**4143S	4148C	**4153L	†Nickel Bronze (-NB)	362.00	362.00	362.00	838.00	838.00	977.00
				Polished Bronze (-PB)	362.00	362.00	362.00	838.00	838.00	977.00
<b>APPROX WT. LBS.</b>					14	15	19	25	28	32

**REGULARLY FURNISHED:** Duco Cast Iron Cleanout with Round Adjustable Secured Nickel Bronze Top with 1/8" Tile Recess. Closure Plug Type as Indicated By Figure Number Selected.

- \*\*6 & 8" Available w/Bronze Taper Plug Only.
- 5, 6 & 8" Not Available w/Inside Caulk Outlet.
- \* Speedi-Set Outlet Available with 2, 3, 4, 6 or 8" Connection Only. Specify Service Weight (L), Extra Heavy (LXH) or PVC (LPVCE). LPVCE applies to 6" pipe size only.
- Spigot Ferrules are Suitable for use with No-Hub Connections.
- ♦ 5" Available w/Spigot Outlet Only.

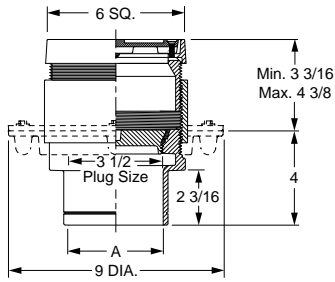
CLEANOUTS

# CLEANOUTS

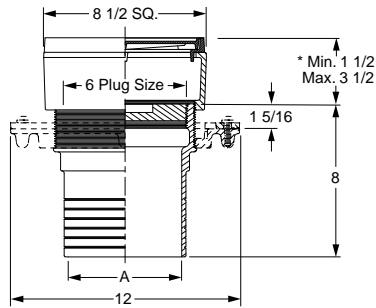


## FIG. 4160-4173 SERIES FINISHED FLOOR CLEANOUTS W/ADJUSTABLE SQUARE TOP WITH TILE RECESS

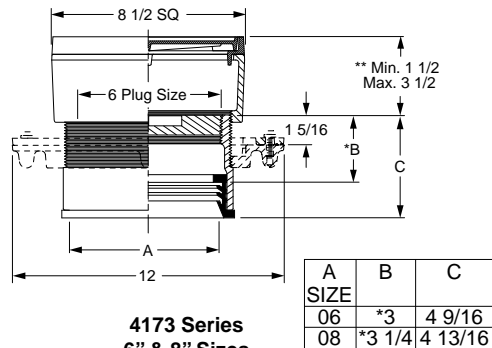
**FUNCTION:** For use in floors and areas which are covered with a floor covering such as asphalt or vinyl tile, linoleum, etc., bearing foot and medium load wheeled traffic. The square top is particularly adaptable to the straight line patterns of tile designs. Allows for easy floor level adjustment.



**4160 Series  
2" - 5" Sizes**



**4163 Series  
6" & 8" Sizes**



**4173 Series  
6" & 8" Sizes**

A SIZE	B	C
06	*3	4 9/16
08	*3 1/4	4 13/16

OPTIONS:		ADD
-DX	Wide Flange only for 2-4"	284.00
-F	Flange	N/C
-FC	Flange w/Flashing Clamp	216.00
-G	Galvanized CI	50.00
-IP	Iron Plug (In lieu of ABS)	53.00
-U	Vandal Proof Screws	55.00

NOTE: When Flange -F is specified, Min. 1 1/2" becomes 2"

WITH ABS PLUG	SPIGOT- OUTLET	INSIDE CAULK OUTLET	SPEEDI- SET*	A - OUTLET SIZE						
				COVER MATERIAL	02"	03"	04"	♦05"	**06"	**08"
Gasket Seal Plug	4160S	4165C	4171L	†Nickel Bronze (-NB)	300.00	300.00	300.00	POA	-	-
				Polished Bronze (-PB)	300.00	300.00	300.00	POA	-	-
Taper Thread Plug	4164S	4169C	4174L	†Nickel Bronze (-NB)	316.00	316.00	316.00	POA	-	-
				Polished Bronze (-PB)	316.00	316.00	316.00	POA	-	-
WITH BRZ PLUG	SPIGOT- OUTLET	INSIDE CAULK OUTLET	SPEEDI- SET*	A - OUTLET SIZE						
				COVER MATERIAL	02"	03"	04"	♦05"	**06"	**08"
Gasket Seal Plug	4161S	4166C	4172L	†Nickel Bronze (-NB)	393.00	393.00	393.00	870.00	943.00	1,055.00
				Polished Bronze (-PB)	393.00	393.00	393.00	870.00	943.00	1,055.00
Taper Thread Plug	**4163S	4168C	**4173L	†Nickel Bronze (-NB)	409.00	409.00	409.00	886.00	959.00	1,071.00
				Polished Bronze (-PB)	409.00	409.00	409.00	886.00	959.00	1,071.00
APPROX WT. LBS.				14	15	19	25	28	32	

**REGULARLY FURNISHED:** Duco Cast Iron Cleanout with Square Adjustable Secured Nickel Bronze Top with 1/8" Tile Recess. Closure Plug Type as Indicated By Figure Number Selected.

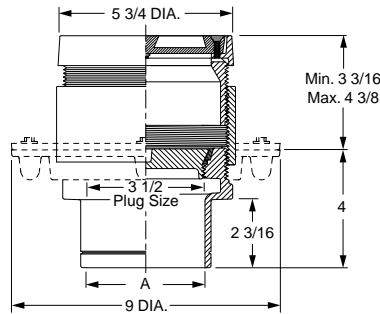
- \*\*6 & 8" Available w/Bronze Taper Plug Only.
- 5,6 & 8" Not Available w/Inside Caulk Outlet.
- \* Speedi-Set Outlet Available with 2, 3, 4, 6 or 8" Connection Only. Specify Service Weight (L), Extra Heavy (LXH) or PVC (LPVC). LPVC applies to 6" pipe size only.
- Spigot Ferrules are Suitable for use with No-Hub Connections.
- ♦ 5" Available w/Spigot Outlet Only.

# CLEANOUTS

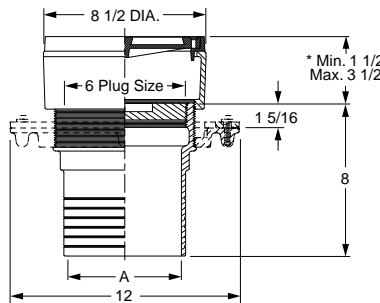
**FIG. 4180-4193 SERIES FINISHED FLOOR CLEANOUTS W/ADJUSTABLE ROUND TOP WITH TERRAZZO RECESS**



**FUNCTION:** Used in terrazzo and similar poured floors bearing foot and medium load wheeled traffic. The recess is filled with the floor material, presenting an unobtrusive appearance. Lock-in design firmly holds floor material in recess.



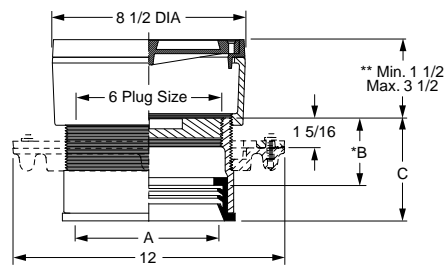
**4180 Series  
2" - 5" Sizes**



**4183 Series  
6" & 8" Sizes**

**OPTIONS:**

-DX	Wide Flange only for 2-4"	.....	<b>ADD</b>	<b>284.00</b>
-F	Flange	.....		<b>N/C</b>
-FC	Flange w/Flashing Clamp	.....		<b>216.00</b>
-G	Galvanized CI	.....		<b>50.00</b>
-IP	Iron Plug (In lieu of ABS)	.....		<b>53.00</b>
-U	Vandal Proof Screws	.....		<b>55.00</b>



**4193 Series  
6" & 8" Sizes**

A SIZE	B	C
06	*3	4 9/16
08	*3 1/4	4 13/16

**NOTE:** When Flange -F is specified, Min. 1 1/2" becomes 2"

WITH ABS PLUG	SPIGOT- OUTLET	INSIDE CAULK OUTLET	SPEEDI- SET*	A - OUTLET SIZE						
				COVER MATERIAL	02"	03"	04"	♦05"	**06"	**08"
Gasket Seal Plug	4180S	4185C	4191L	†Nickel Bronze (-NB)	260.00	260.00	260.00	POA	-	-
				Polished Bronze (-PB)	260.00	260.00	260.00	POA	-	-
Taper Thread Plug	4184S	4189C	4194L	†Nickel Bronze (-NB)	272.00	272.00	272.00	POA	-	-
				Polished Bronze (-PB)	272.00	272.00	272.00	POA	-	-
WITH BRZ PLUG	SPIGOT- OUTLET	INSIDE CAULK OUTLET	SPEEDI- SET*	A - OUTLET SIZE						
				COVER MATERIAL	02"	03"	04"	♦05"	**06"	**08"
Gasket Seal Plug	4181S	4186C	4192L	†Nickel Bronze (-NB)	353.00	353.00	353.00	870.00	943.00	1,055.00
				Polished Bronze (-PB)	353.00	353.00	353.00	870.00	943.00	1,055.00
Taper Thread Plug	**4183S	4188C	**4193L	†Nickel Bronze (-NB)	369.00	369.00	369.00	886.00	959.00	1,071.00
				Polished Bronze (-PB)	369.00	369.00	369.00	886.00	959.00	1,071.00
<b>APPROX. WT. LBS.</b>					14	15	19	25	28	32

**REGULARLY FURNISHED:** Duco Cast Iron Cleanout with Round Adjustable Secured Nickel Bronze Top with 1/2" Terrazzo Recess. Closure Plug Type as Indicated by Figure Number Selected.

- \*\*6 & 8" Available w/Bronze Taper Plug Only.
- 5, 6 & 8" Not Available w/Inside Caulk Outlet.
- \* Speedi-Set Outlet Available with 2, 3, 4, 6 or 8" Connection Only. Specify Service Weight (L), Extra Heavy (LXH) or PVC (LPVC). LPVC applies to 6" pipe size only.
- Spigot Ferrules are Suitable for use with No-Hub Connections.
- ♦ 5" Available w/Spigot Outlet Only.

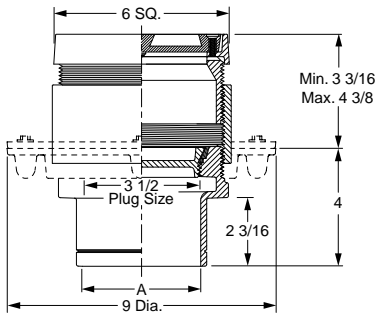
CLEANOUTS

# CLEANOUTS

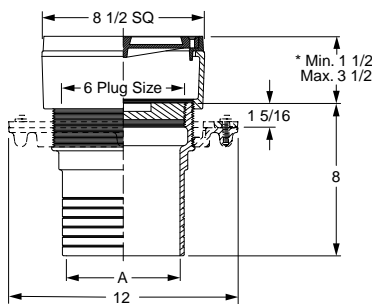
## FIG. 4200 SERIES FINISHED FLOOR CLEANOUTS W/ADJUSTABLE SQUARE TOP WITH TERRAZZO RECESS



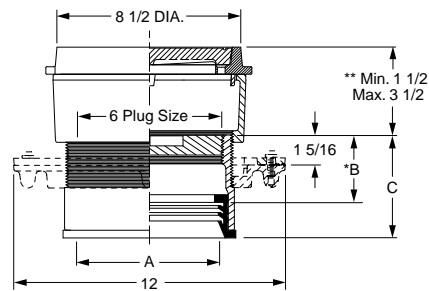
**FUNCTION:** Used in terrazzo and similar poured floors bearing foot and medium load wheeled traffic. The recess is filled with the floor material, presenting an unobtrusive appearance. Lock-in design firmly holds floor material in recess.



**4200 Series  
2" - 5" Sizes**



**4203 Series  
6" & 8" Sizes**



**4213 Series  
6" & 8" Sizes**

A SIZE	B	C
06	*3	4 9/16
08	*3 1/4	4 13/16

**OPTIONS:**

-DX	Wide Flange only for 2-4" .....	ADD 284.00
-F	Flange .....	N/C
-FC	Flange w/Flashing Clamp .....	216.00
-G	Galvanized CI .....	50.00
-IP	Iron Plug (In lieu of ABS).....	53.00
-U	Vandal Proof Screws .....	55.00

NOTE: When Flange -F is specified, Min. 1 1/2" becomes 2"

WITH ABS PLUG	SPIGOT• OUTLET	INSIDE CAULK OUTLET	SPEEDI- SET*	A - OUTLET SIZE						
				COVER MATERIAL	02"	03"	04"	♦05"	**06"	**08"
Gasket Seal Plug	4200S	4205C	4211L	†Nickel Bronze (-NB)	288.00	288.00	288.00	POA	-	-
				Polished Bronze (-PB)	288.00	288.00	288.00	POA	-	-
Taper Thread Plug	4204S	4209C	4214L	†Nickel Bronze (-NB)	304.00	304.00	304.00	POA	-	-
				Polished Bronze (-PB)	304.00	304.00	304.00	POA	-	-
WITH BRZ PLUG	SPIGOT• OUTLET	INSIDE CAULK OUTLET	SPEEDI- SET*	A - OUTLET SIZE						
				COVER MATERIAL	02"	03"	04"	♦05"	**06"	**08"
Gasket Seal Plug	4201S	4206C	4212L	†Nickel Bronze (-NB)	381.00	381.00	381.00	890.00	963.00	1,075.00
				Polished Bronze (-PB)	381.00	381.00	381.00	890.00	963.00	1,075.00
Taper Thread Plug	**4203S	4208C	**4213L	†Nickel Bronze (-NB)	397.00	397.00	397.00	906.00	979.00	1,091.00
				Polished Bronze (-PB)	397.00	397.00	397.00	906.00	979.00	1,091.00
<b>APPROX. WT. LBS.</b>				14	15	19	25	28	32	

**REGULARLY FURNISHED:** Duco Cast Iron Cleanout with Square Adjustable Secured Nickel Bronze Top with 1/2" Terrazzo Recess. Closure Plug Type as Indicated By Figure Number Selected.

\*\*6 & 8" Available w/Bronze Taper Plug Only.

5, 6 & 8" Not Available w/Inside Caulk Outlet.

\* Speedi-Set Outlet Available with 2, 3, 4, 6 or 8" Connection Only. Specify Service Weight (L), Extra Heavy (LXH) or PVC (LPVC). LPVC applies to 6" pipe size only.

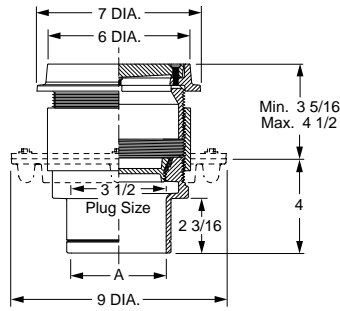
• Spigot Ferrules are Suitable for use with No-Hub Connections.

♦ 5" Available w/Spigot Outlet Only.

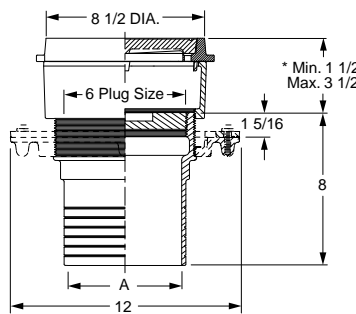
# CLEANOUTS

## FIG. 4220 SERIES FINISHED FLOOR CLEANOUTS W/ADJUSTABLE ROUND HEAVY DUTY TOPS

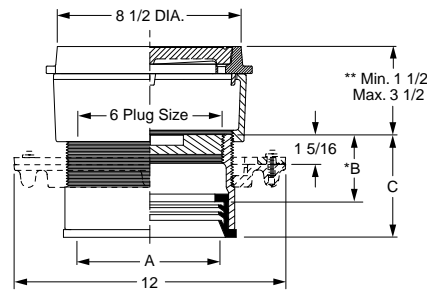
**FUNCTION:** Used in floors and areas where appearance of cast iron is satisfactory. Will withstand heavy load traffic.



**4220 Series**  
2" - 5" Sizes



**4223 Series**  
6" & 8" Sizes



**4233 Series**  
6" & 8" Sizes

A SIZE	B	C
06	*3	4 9/16
08	*3 1/4	4 13/16

**OPTIONS:**

-DX	Wide Flange only for 2-4"	.....	284.00
-F	Flange	.....	N/C
-FC	Flange w/Flashing Clamp	.....	216.00
-G	Galvanized CI	.....	50.00
-IP	Iron Plug (In lieu of ABS)	.....	53.00
-M	Ductile Iron Cover	.....	182.00
-U	Vandal Proof Screws	.....	55.00

NOTE: When Flange -F is specified, Min. 1 1/2" becomes 2"

WITH ABS PLUG	SPIGOT- OUTLET	INSIDE CAULK OUTLET	SPEEDI- SET*	A - OUTLET SIZE						
				COVER MATERIAL	02"	03"	04"	♦05"	**06"	**08"
Gasket Seal Plug	4220S	4225C	4231L	†Cast Iron (-CI)	195.00	195.00	195.00	POA	-	-
Taper Thread Plug	4224S	4229C	4234L							
WITH BRZ PLUG	SPIGOT- OUTLET	INSIDE CAULK OUTLET	SPEEDI- SET*	A - OUTLET SIZE						
				COVER MATERIAL	02"	03"	04"	♦05"	**06"	**08"
Gasket Seal Plug	4221S	4226C	4232L	†Cast Iron (-CI)	288.00	288.00	288.00	390.00	414.00	550.00
Taper Thread Plug	**4223S	4228C	**4233L							
<b>APPROX WT. LBS.</b>					14	15	19	25	28	32

**REGULARLY FURNISHED:** Duco Cast Iron Cleanout with Round Adjustable Scoriated Secured Cast Iron Top. Closure Plug Type as Indicated By Figure Number Selected.

- \*6 & 8" Available w/Bronze Taper Plug Only.
- 5, 6 & 8" Not Available w/Inside Caulk Outlet.
- \* Speedi-Set Outlet Available with 2, 3, 4, 6 or 8" Connection Only. Specify Service Weight (L), Extra Heavy (LXH) or PVC (LPVC). LPVC applies to 6" pipe size only.
- Spigot Ferrules are Suitable for use with No-Hub Connections.
- ♦ 5" Available w/Spigot Outlet Only.

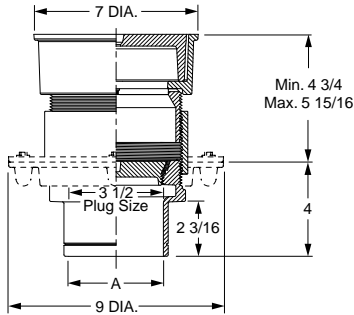
CLEANOUTS

# CLEANOUTS

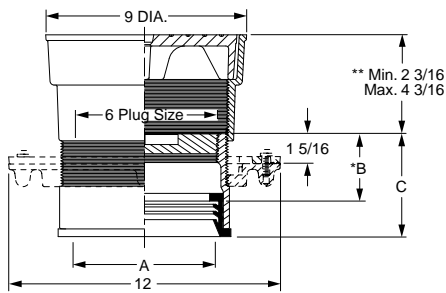
## FIG. 4240 SERIES UNFINISHED FLOOR CLEANOUTS W/ADJUSTABLE ROUND CAST IRON TOP W/TRACTOR COVER



**FUNCTION:** Used in unfinished areas where a loose set, non-tilt tractor cover is desired. Will withstand heavy load traffic.



**4240 Series**  
2" - 5" Sizes

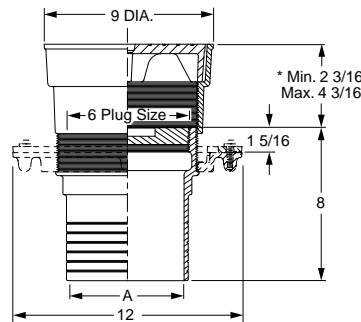


**4239 Series**  
6" & 8" Sizes

A SIZE	B	C
06	*3	4 9/16
08	*3 1/4	4 13/16

**OPTIONS:**

-CSS	Center Securing Screw .....	ADD 53.00
-DX	Wide Flange only for 2-4" .....	284.00
-F	Flange .....	N/C
-FC	Flange w/Flashing Clamp .....	216.00
-G	Galvanized CI .....	50.00
-IP	Iron Plug (In lieu of ABS).....	53.00
-M	Ductile Iron Cover .....	182.00
-U	VP Center Securing Screw .....	55.00



**4243 Series**  
6" & 8" Sizes

NOTE: When Flange -F is specified, Min. 2 3/16" becomes 2 11/16"

	SPIGOT• OUTLET	INSIDE CAULK OUTLET	SPEEDI- SET*	A - OUTLET SIZE						
				COVER MATERIAL	02"	03"	04"	♦05"	**06"	**08"
<b>WITH ABS PLUG</b>										
Gasket Seal Plug	4240S	4245C	4237L	†Duco Cast Iron (-CI)	270.00	270.00	270.00	POA	-	-
				Nickel Bronze (-NB)	450.00	467.00	450.00	POA	-	-
				Polished Bronze (-PB)	450.00	450.00	450.00	POA	-	-
Taper Thread Plug	4244S	4249C	4236L	†Duco Cast Iron (-CI)	286.00	286.00	286.00	POA	-	-
				Nickel Bronze (-NB)	466.00	466.00	466.00	POA	-	-
				Polished Bronze (-PB)	466.00	466.00	466.00	POA	-	-
<b>WITH BRZ PLUG</b>										
Gasket Seal Plug	4241S	4246C	4238L	†Duco Cast Iron (-CI)	280.00	280.00	280.00	600.00	950.00	1,100.00
				Nickel Bronze (-NB)	492.00	492.00	492.00	900.00	1,250.00	1,500.00
				Polished Bronze (-PB)						
Taper Thread Plug	**4243S	4248C	**4239L	†Duco Cast Iron (-CI)	296.00	296.00	296.00	616.00	966.00	1,116.00
				Nickel Bronze (-NB)	508.00	508.00	508.00	916.00	1,266.00	1,516.00
				Polished Bronze (-PB)	508.00	508.00	508.00	916.00	1,266.00	1,516.00
<b>APPROX WT. LBS.</b>					15	18	20	29	32	36

**REGULARLY FURNISHED:** Duco Cast Iron Cleanout with Round Adjustable Scoriated Cast Iron Top with Non-Tilt Tractor Cover. Closure Plug Type as Indicated by Figure Number Selected.

- \*\*6 & 8" Available w/Bronze Taper Plug Only.
- 5, 6 & 8" Not Available w/Inside Caulk Outlet.
- \* Speedi-Set Outlet Available with 2, 3, 4, 6 or 8" Connection Only. Specify Service Weight (L), Extra Heavy (LXH) or PVC (LPVC). LPVC applies to 6" pipe size only.
- Spigot Ferrules are Suitable for use with No-Hub Connections.
- ♦ 5" Available w/Spigot Outlet Only.

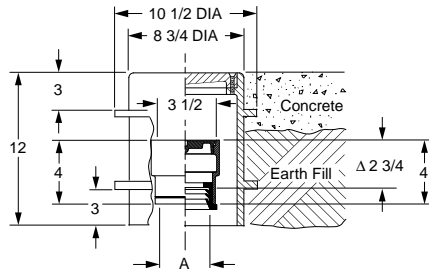


# CLEANOUTS

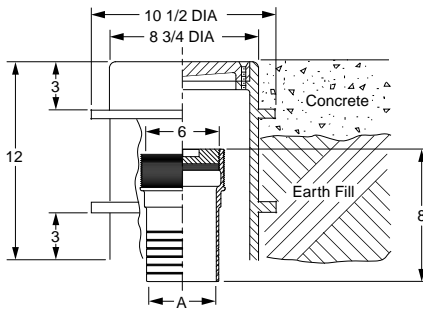


**FIG. 4250 SERIES UNFINISHED FLOOR CLEANOUTS ROUND FLANGED HOUSING WITH HEAVY DUTY CAST IRON COVER**

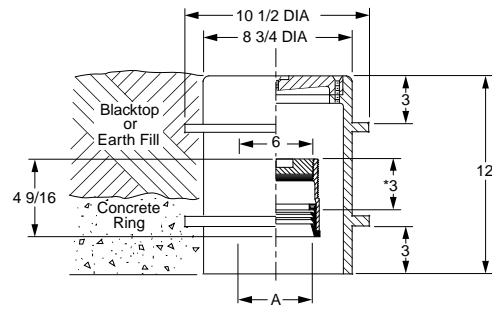
**FUNCTION:** Used in outside and inside areas. High flange permits use in areas surfaced with concrete or other poured materials. Low flange is used with a ring of concrete poured below the surface for non-surfaced areas and areas surfaced with asphalt paving. Housing is completely free of piping so that no loading is transmitted to the pipe.



**4250 Series  
2" - 5" Sizes**



**4253 Series  
6" & 8" Sizes**



**4263 Series  
6" & 8" Sizes**

**OPTIONS:**

	<b>ADD</b>	
-G	Galvanized CI .....	314.00
-GH	Galv CI Housing Only .....	280.00
-IP	Iron Plug (In lieu of ABS).....	53.00
-M	Ductile Iron Cover .....	320.00
-U	Vandal Proof Screws .....	29.00
	Cover Cast W/"Gas Shut Off" (-GSO) or "Water Shut Off" (-WSO).....	110.00
4880	Housing Only .....	800.00

WITH ABS PLUG	SPIGOT- OUTLET	INSIDE CAULK OUTLET	SPEEDI- SET* OUTLET	A - OUTLET SIZE						
				COVER MATERIAL	02"	03"	04"	♦05"	**06"	**08"
Gasket Seal Plug***	4250S	4255C	4261L	†Duco Cast Iron (-CI)	641.00	641.00	641.00	POA	-	-
Taper Thread Plug	4254S	4259C	4264L							
WITH BRZ PLUG	SPIGOT- OUTLET	INSIDE CAULK OUTLET	SPEEDI- SET* OUTLET	A - OUTLET SIZE						
COVER MATERIAL				02"	03"	04"	♦05"	**06"	**08"	
Gasket Seal Plug	4251S	4256C	4262L	†Duco Cast Iron (-CI)	657.00	657.00	657.00	1,100.00	1,400.00	1,675.00
Taper Thread Plug	**4253S	4258C	Δ**4263L							
<b>APPROX WT. LBS.</b>					31	33	35	42	49	61

**REGULARLY FURNISHED:** Duco Cast Iron Cleanout and Double Flanged Housing with Heavy Duty Secured Scoriated Cast Iron Cover with Lifting Device. Closure Plug and Type of Outlet as Indicated By Figure Number Selected.

- \*\*6 & 8" Available w/Bronze Taper Plug Only.
- \*\*\*ABS Plug regularly furnished all outlets in 02, 03, and 04 inch sizes and 05 inch spigot.
- 5, 6 & 8" Not Available w/Inside Caulk Outlet.
- \* Speedi-Set Outlet Available with 2, 3, 4, 6 or 8" Connection Only. Specify Service Weight (L), Extra Heavy (LXH) or PVC (LPVC). LPVC applies to 6" pipe size only.
- Spigot Ferrules are suitable for use with No-Hub Connections.
- ♦ 5" Available w/Spigot Outlet Only.
- Δ Not Available in 8".

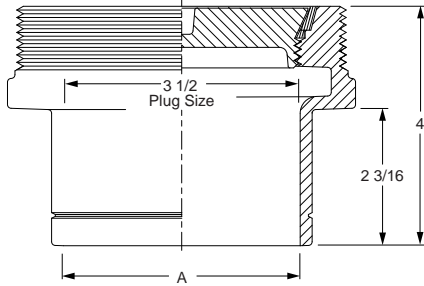
CLEANOUTS

# CLEANOUTS

## FIG. 4280 SERIES UNFINISHED FLOOR CLEANOUT BODIES WITH CLOSURE PLUG

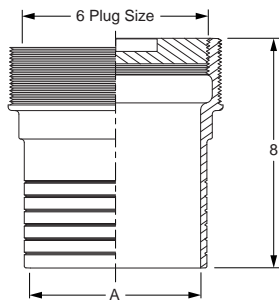


**FUNCTION:** Used where extension type cleanout is required. Not recommended for installation in floors or areas subjected to traffic unless access cover is provided.

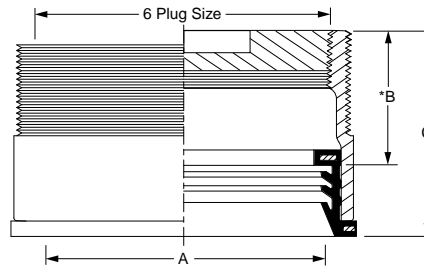


**4280 Series  
2" - 5" Sizes**

<b>OPTIONS:</b>		<b>ADD</b>
-F	Flange .....	N/C
-FC	Flange w/Flashing Clamp .....	216.00
-G	Galvanized CI .....	50.00
-IP	Iron Plug (In lieu of ABS).....	53.00
-RHP	Raised Head Closure Plug.....	N/C
-TP	"T" Handle for Plug .....	43.00
		(Bronze plug must be used when -TP is specified)



**4283 Series  
6" & 8" Sizes**



**4293 Series  
6" & 8" Sizes**

A SIZE	B	C
06	*3	4 9/16
08	*3 1/4	4 13/16

WITH ABS PLUG	SPIGOT- OUTLET	INSIDE CAULK OUTLET	SPEEDI- SET*	A - OUTLET SIZE						
				COVER MATERIAL	02"	03"	04"	♦05"	**06"	**08"
Gasket Seal Plug	4280S	4285C	4291L	†Duco Cast Iron (-CI)	80.00	101.00	125.00	262.00	-	-
				All Bronze (-BB)	285.00	300.00	400.00	560.00	-	-
Taper Thread Plug	4284S	4289C		†Duco Cast Iron (-CI)	80.00	101.00	125.00	262.00	-	-
				All Bronze (-BB)	285.00	300.00	400.00	560.00	-	-
WITH BRZ PLUG	SPIGOT- OUTLET	INSIDE CAULK OUTLET	SPEEDI- SET*	A - OUTLET SIZE						
				COVER MATERIAL	02"	03"	04"	♦05"	**06"	**08"
Gasket Seal Plug	4281S	4286C	4292L	†Duco Cast Iron (-CI)	POA	POA	POA	POA	POA	POA
				All Bronze (-BB)	POA	POA	POA	POA	POA	POA
Taper Thread Plug	**4283S	4288C	**4293L	†Duco Cast Iron (-CI)	POA	POA	POA	POA	POA	POA -
				All Bronze (-BB)	POA	POA	POA	POA	POA	POA
APPROX WT. LBS.				6	7	11	15	16	20	

**REGULARLY FURNISHED:** Duco Cast Iron Cleanout with Closure Plug Type as Indicated by Figure Number Selected.

\*\* 6 & 8" Available w/Bronze Taper Plug Only.

5, 6 & 8" Not Available w/Inside Caulk Outlet.

\* Speedi-Set Outlet Available with 2, 3, 4, 6 or 8" Connection Only. Specify Service Weight (L), Extra Heavy (LXH) or PVC (LPVCE). LPVCE applies to 6" pipe size only.

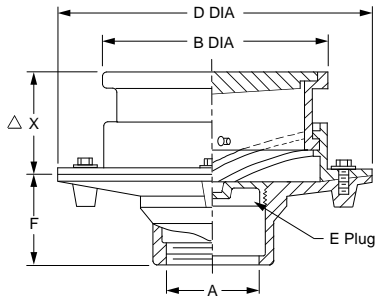
• Spigot Ferrules are Suitable for use with No-Hub Connections.

♦ 5" Available w/Spigot Outlet Only.

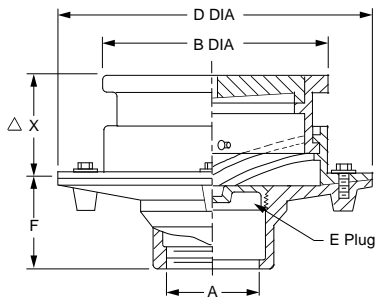
# CLEANOUTS

## FIG. 4313, 4318 MULTI-PURPOSE FLOOR CLEANOUTS W/ INTERNAL CLOSURE PLUG AND ROUND ADJUSTABLE CAST IRON TOP

**FUNCTION:** Used in areas where a large access cover is desirable and the appearance of cast iron is satisfactory. Non-Tilt cover Fig. 4318 shown below should be used for heavy load traffic. Allows easy floor level adjustment.



**Fig. 4313**  
Medium Duty Top



**Fig. 4318**  
Heavy Duty Top

### OUTLET VARIATIONS (Specify type of outlet and pipe size in inches.)

Outlet Type	Outlet Designation Type/Pipe Size	ADD
Inside Caulk	C02, C03, C04	N/C
Threaded	T02, T03, T04	N/C
No-Hub	Y02, Y03, Y04	See Fig 2646Y

### OPTIONS:

Option	Description	ADD
-G	Galvanized CI	260.00
-M	Ductile Iron Cover (4318)	214.00
-RT	Recessed for Tile	214.00
-S	Square Top, CI	180.00
-SEC	Secured Cover	77.00
-SNB	Square Top, add to CI	450.00
-SPB	Square Top, add to CI	383.00
-TP	"T" Handle for Plug	43.00
-U	Vandal Proof Screws	90.00

A OUTLET SIZE	B TOP DIA	D FLANGE DIA	E PLUG SIZE	F	ΔX		†DUCO CAST IRON (-CI)	NICKEL BRONZE (-NB)	POLISHED BRONZE (-PB)	APPROX. WEIGHT LBS
					MIN	MAX				
02"	8 1/2"	12"	3 1/2"	4"	3 1/2"	4 1/2"	736.00	1,076.00	1,021.00	35
03"	8 1/2"	12"	4"	4"	3 1/2"	4 1/2"	736.00	1,076.00	1,021.00	35
04"	8 1/2"	12"	5"	4"	3 1/2"	4 1/2"	758.00	1,101.00	1,042.00	35

**REGULARLY FURNISHED:** Round Adjustable Top with Scoriated Loose Set Cast Iron Cover, Taper Thread Bronze Closure Plug and Flashing Collar.

Δ add 1/4" when bronze top is specified

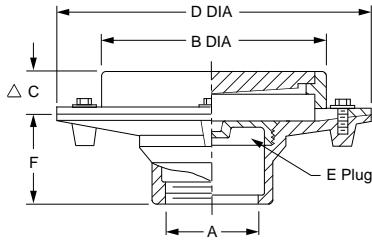
CLEANOUTS

# CLEANOUTS

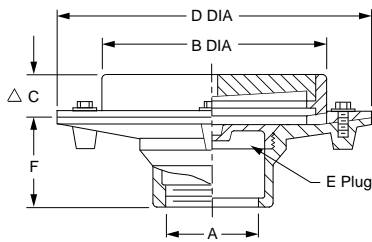
## FIG. 4333, 4338 MULTI-PURPOSE FLOOR CLEANOUTS W/ INTERNAL CLOSURE PLUG AND ROUND NON-ADJUSTABLE CAST IRON TOP



**FUNCTION:** Used in areas where a large access cover is desirable and the appearance of cast iron is satisfactory. Non-Tilt cover Fig. 4338 shown below should be used for heavy load traffic.



**Fig. 4333  
Medium Duty Top**



**Fig. 4338  
Heavy Duty Top**

### OUTLET VARIATIONS (Specify type of outlet and pipe size in inches.)

Outlet Type	Outlet Designation	ADD
Inside Caulk	C02, C03, C04	N/C
Threaded	T02, T03, T04	N/C
No-Hub	Y02, Y03, Y04	See Fig 2646Y

OPTIONS:	ADD
-G Galvanized CI	260.00
-M Ductile Iron Cover (4338)	214.00
-RT Recessed for Tile	214.00
-S Square Top, CI	180.00
-SEC Secured Cover	77.00
-SNB Square Top, add to CI	450.00
-SPB Square Top, add to CI	383.00
-TP "T" Handle for Plug	43.00
-U Vandal Proof Screws	90.00

A OUTLET SIZE	B TOP DIA	ΔC	D FLANGE DIA	E PLUG SIZE	F	†DUCO CAST IRON (-CI)	NICKEL BRONZE (-NB)	POLISHED BRONZE (-PB)	APPROX. WEIGHT LBS
02"	8 1/2"	1 5/8"	12"	3 1/2"	4"	594.00	919.00	873.00	33
03"	8 1/2"	1 5/8"	12"	4"	4"	594.00	919.00	873.00	33
04"	8 1/2"	1 5/8"	12"	5"	4"	616.00	1,379.00	1,062.00	33

**REGULARLY FURNISHED:** Duco Cast Iron Body with Scoriated Loose Set Cast Iron Cover, Taper Thread Bronze Closure Plug and Flashing Collar.

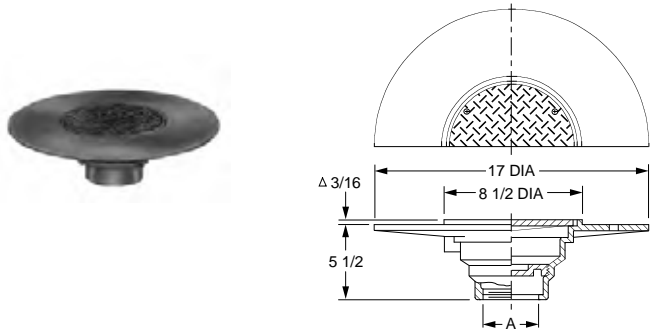
Δ add 1/4" when bronze top is specified

# CLEANOUTS

## FIG. DX4343 WIDE FLANGE CAST IRON MULTI-PURPOSE FLOOR CLEANOUT W/ INTERNAL CLOSURE PLUG



**FUNCTION:** Used where a waterproof covering is to be applied and a wide area is required for bonding and/or support.



**Fig. DX4343**

**OUTLET VARIATIONS** (Specify type of outlet and pipe size in inches.)

Outlet Type	Outlet Designation	Outlet Type/Pipe Size	ADD
Inside Caulk	C02, C03, C04		N/C
Threaded	T02, T03, T04		N/C
No-Hub	Y02, Y03, Y04		See Fig 2646Y

OPTIONS:	ADD
-SH Securing Holes in Flange	67.00
-U Vandal Proof Cover	53.00

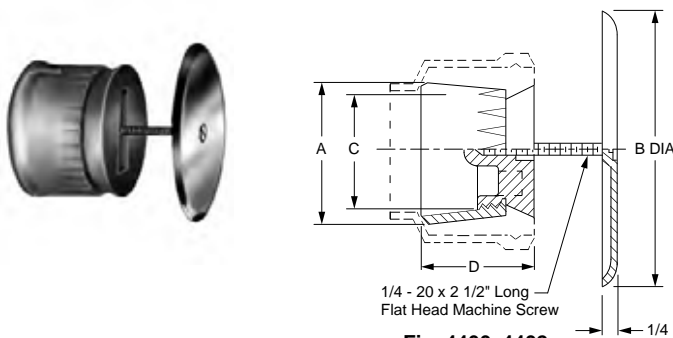
If Water-Proof Deck Covering thickness is greater (or less) than dimensions shown, the drain body should be set to compensate for the variation in thickness. Drain body should be set low enough to permit "dimpling" of area surrounding drain.

A OUTLET SIZE	TOP SIZE	†DUCO CAST IRON	DUCO CI PB TOP	DUCO CI NB TOP	APPROX. WEIGHT LBS
02, 03, 04"	8 1/2"	548.00	774.00	739.00	30

**REGULARLY FURNISHED:** Duco Cast Iron Body with Solid Secured Cover and Taper Thread Bronze Closure Plug.

## FIG. 4400, 4402 CAULK FERRULE CLEANOUT LEAD SEAL PLUG W/ROUND ACCESS COVER

**FUNCTION:** Used in hub openings in drainage piping where a cleanout is required. The straight thread lead seal plug permits quick and easy removal. Grooves on outside of ferrule prevent turning. Face-of-wall cover is desirable on finished walls when ferrule is used in vertical piping.



**Fig. 4400, 4402**

OPTIONS:	ADD
-BP Cast Bronze Lead Seal Plug	
02, 03, 04, 05"	106.00
06, 08"	339.00
-LSS 6" Long Center Screw	25.00
-TP "T" Handle for Plug	43.00
-U Vandal Proof Screw	53.00

LESS COVER	PLUG MATERIAL		A - PIPE SIZE:	02"	03"	04"	05"	06"	08"
4400CI	CI Ferrule and CI Plug			53.00	82.00	113.00	170.00	232.00	858.00
4400AB	All Bronze			181.00	216.00	317.00	481.00	661.00	858.00
WITH COVER	PLUG MATERIAL	COVER MATERIAL	A - PIPE SIZE:	02"	03"	04"	05"	06"	08"
4402	CI Ferrule and CI Plug	†Stainless Steel (-SS)	B - COVER SIZE DIA:	4 1/4"	5 1/2"	5 1/2"	7"	9 1/4"	11 1/4"
		Prime Coated Steel (-PC)		128.00	158.00	189.00	265.00	402.00	695.00
		Polished Bronze (-PB)		104.00	134.00	165.00	242.00	379.00	671.00
			C - SIZE	1 1/2"	2 1/2"	3 1/2"	4 1/2"	5 1/2"	7 1/2"
			D	2 1/2"	2 3/4"	3"	3"	3"	3 1/2"
			APPROX WT. LBS.	3	4	6	8	10	12

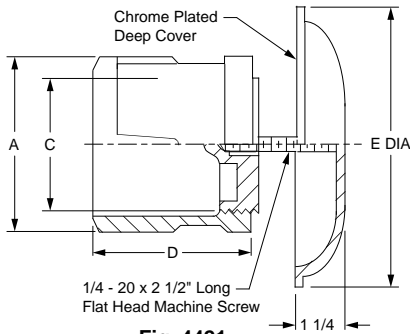
**REGULARLY FURNISHED:** Duco Cast Iron Caulk Ferrule and Cast Iron Lead Seal Plug with Stainless Steel Round Cover and Screw when indicated by Fig. Number.

# CLEANOUTS

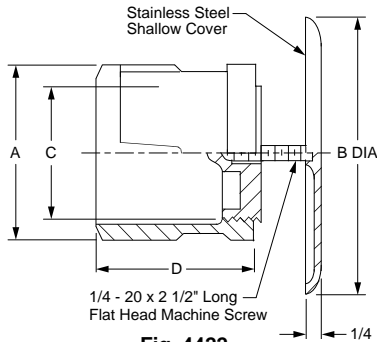
## FIG. 4420, 4422 SERIES CAULK FERRULE CLEANOUT TAPER THREAD PLUG W/ROUND ACCESS COVER



**FUNCTION:** Used in hub openings in drainage piping where a cleanout is required. Ribbing on outside of ferrule prevents turning of ferrule in the caulking lead. Face-of-wall cover is desirable on finished walls.



**Fig. 4421**



**Fig. 4422**

**OPTIONS:**

-LSS	6" Long Center Screw.....	ADD 25.00
-TP	"T" Handle for Plug.....	43.00
-U	Vandal Proof Screw .....	53.00

LESS COVER	PLUG MATERIAL		A - PIPE SIZE:	Δ02"	Δ03"	Δ04"	05"	06"	08"
4420CI	CI Ferrule and Brz Plug			53.00	82.00	113.00	170.00	232.00	430.00
4420BRZ	All Bronze			POA	POA	POA	POA	POA	POA
WITH COVER	PLUG MATERIAL	COVER MATERIAL	A - PIPE SIZE:	Δ02"	Δ03"	Δ04"	05"	06"	08"
4422	CI Ferrule and Brz Plug	†Stainless Steel (-SS)	B - COVER SIZE DIA:	4 1/4"	5 1/2"	5 1/2"	7"	9 1/4"	11 1/4"
		Prime Coated Steel (-PC)		128.00	158.00	189.00	265.00	402.00	695.00
		Polished Bronze (-PB)		104.00	134.00	165.00	242.00	379.00	671.00
			C - SIZE	1 1/2"	2 1/2"	3 1/2"	4"	5"	6"
			D	3 1/2"	3 3/4"	4 1/4"	4 1/4"	4 1/4"	4 1/2"
			E DIA	*7 1/4"	*7 1/4"	*7 1/4"	*7 1/4"	9 1/4"	11 1/4"
			APPROX WT. LBS.	5	8	13	16	21	26

ΔSized for Service Weight and/or NO-HUB

\*Die Formed SS Cover Only

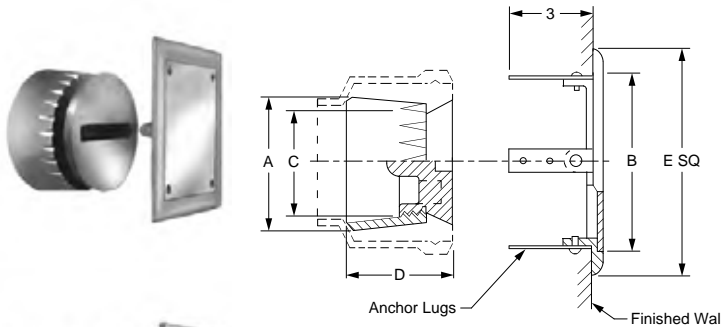
**REGULARLY FURNISHED:** Duco Cast Iron Caulk Ferrule with Cast Bronze Taper Thread Plug with SS Round Cover and Screws. Type of Cover as Indicated by Figure Number Selected.

# CLEANOUTS

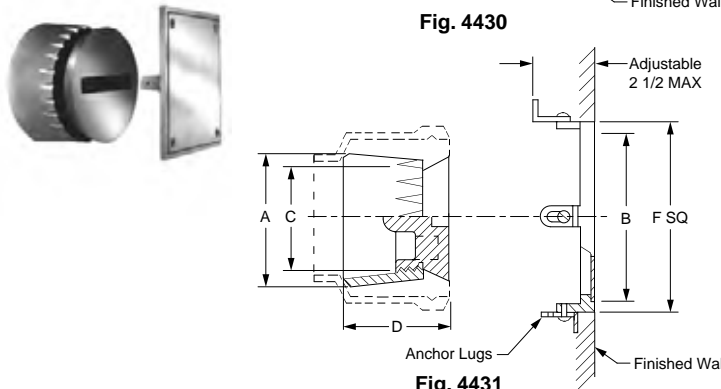
## FIG. 4430, 4431 CAULK FERRULE CLEANOUT LEAD SEAL PLUG W/SQUARE FRAME AND COVER



**FUNCTION:** Used in hub openings in drainage piping where a cleanout is required. The straight thread lead seal plug permits quick and easy removal. Grooves on outside of ferrule prevent turning. Type of cover as indicated by figure number selected. Both covers are used to cover cleanouts concealed in walls. The square design is particularly adaptable to adjacent walls, floors, ceilings, etc., that are finished of material in straight line patterns. The anchoring lugs provide easy means for securing the frame to the wall construction. The face-of-wall (4430) cover is for tile, masonry, or dry wall construction, and is usually installed on an opening provided in the finished wall. The flush-with-wall (4431) cover is for plaster or wet wall construction and is installed during the wall construction.



**Fig. 4430**



**Fig. 4431**

**OPTIONS:**

	<b>ADD</b>
-BB Cast Bronze Ferrule and Plug .....	POA
-BP Cast Bronze Lead Seal Plug	
02, 03, 04, 05" .....	106.00
06, 08" .....	339.00
-TH Plug Tapped 1/4-20 w/T Handle for Plug .....	71.00
-U Vandal Proof Screw .....	53.00
Solid Scoriated Cover f/Flush Type Cover .....	See Fig 4439

		COVER MATERIAL	A - PIPE SIZE:	02"	03"	04"	05"	06"	08"	*	*
4430	Face of Wall	†Chrome Plated (-CP)	B - COVER SIZE SQ:	6 x 6"	6 x 6"	6 x 6"	8 x 8"	8 x 8"	10 x 10"	12 x 12"	15 x 15"
		Nickel Bronze (-NB)		418.00	450.00	481.00	706.00	770.00	1,014.00		
		Polished Bronze (-PB)		385.00	418.00	449.00	659.00	723.00	959.00		
				340.00	372.00	403.00	597.00	661.00	894.00		
		COVER MATERIAL	A - PIPE SIZE:	02"	03"	04"	05"	06"	08"	*	*
4431	Flush with Wall	†Chrome Plated (-CP)	B - COVER SIZE SQ:	6 x 6"	6 x 6"	6 x 6"	8 x 8"	8 x 8"	10 x 10"	12 x 12"	15 x 15"
		Nickel Bronze (-NB)		418.00	450.00	481.00	706.00	770.00	1,014.00		
		Polished Bronze (-PB)		385.00	418.00	449.00	659.00	723.00	959.00		
				340.00	372.00	403.00	597.00	661.00	894.00		
			C - SIZE	1 1/2"	2 1/2"	3 1/2"	4 1/2"	5 1/2"	7 1/2"	-	-
			D	2 1/2"	2 3/4"	3"	3"	3"	3 1/2"	-	-
			E SQ	7 3/4"	7 3/4"	7 3/4"	9 3/4"	9 3/4"	11 3/4"	13 3/4"	16 3/4"
			F SQ	6 1/2"	6 1/2"	6 1/2"	8 1/2"	8 1/2"	10 1/2"	12 1/2"	15 1/2"
			APPROX WT. LBS.	5	7	10	12	13	20		

\*Covers may be used with any of the above plugs

**REGULARLY FURNISHED:** Duco Cast Iron Caulk Ferrule with Cast Iron Lead Seal Plug, with Chrome Plated Bronze Square Frame and Secured Cover. Type of Cover as Indicated by Figure Number Selected.

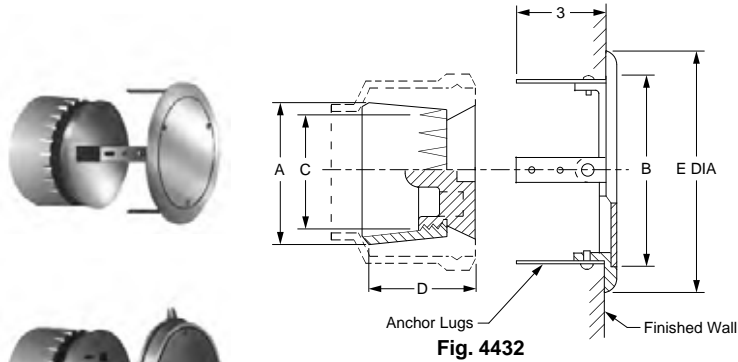
CLEANOUTS

# CLEANOUTS

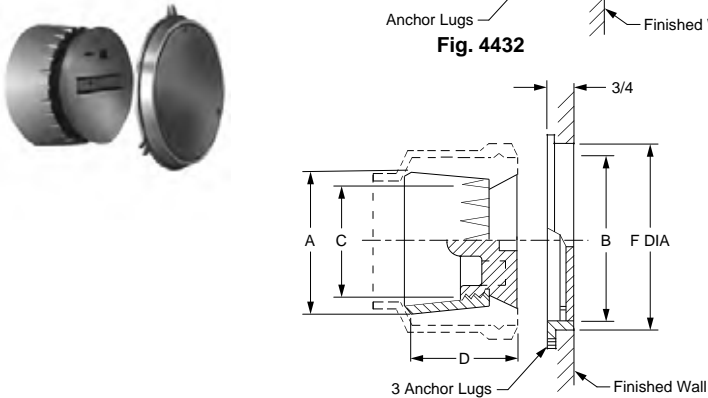
## FIG. 4432, 4433 CAULK FERRULE CLEANOUT LEAD SEAL PLUG W/ROUND FRAME AND COVER



**FUNCTION:** Used to cover cleanout plugs concealed in walls. Round design eliminates necessity for lining up with adjacent floors, ceilings, moldings, etc. The anchoring lugs provide easy means for securing the frame to the wall construction. The face-of-wall cover (4432) is for tile, masonry, or dry wall construction and is usually installed on an opening provided in the finished wall. The flush-with-wall cover (4433) is for plaster or wet wall construction and is installed during wall construction.



**Fig. 4432**



**Fig. 4433**

**OPTIONS:**

	<b>ADD</b>
-BB Cast Bronze Ferrule and Plug .....	POA
-BP Cast Bronze Lead Seal Plug .....	
02, 03, 04, 05" .....	106.00
06, 08" .....	339.00
-TH Plug Tapped 1/4-20 w/T Handle for Plug .....	71.00
-U Vandal Proof Screw .....	53.00
Solid Scoriated Cover f/Flush Type Cover .....	See Fig 4438

		COVER MATERIAL	A - PIPE SIZE:	02"	03"	04"	05"	06"	*08"
4432	Face of Wall	†Chrome Plated (-CP)	B - COVER SIZE DIA	4"	5 1/2"	6"	6"	8"	10"
		Nickel Bronze (-NB)		271.00	303.00	333.00	389.00	603.00	1,034.00
		Polished Bronze (-PB)		245.00	278.00	308.00	363.00	570.00	918.00
				227.00	260.00	290.00	345.00	545.00	858.00
4433	Flush with Wall	†Chrome Plated (-CP)	A - PIPE SIZE:	02"	03"	04"	05"	06"	*08"
		Nickel Bronze (-NB)	B - COVER SIZE DIA	4"	5 1/2"	6"	6"	8"	10"
		Polished Bronze (-PB)		271.00	303.00	333.00	389.00	603.00	1,034.00
				245.00	278.00	308.00	363.00	570.00	918.00
			C - SIZE	1 1/2"	2 1/2"	3 1/2"	4 1/2"	5 1/2"	7 1/2"
			D	2 1/2"	2 3/4"	3"	3"	3"	3 1/2"
			E DIA	6"	7"	7"	7"	10"	-
			F DIA	4 1/2"	5 3/4"	6 1/2"	6 1/2"	8 1/2"	10 1/2"
			APPROX WT. LBS.	8	12	17	19	20	26

\*10" Face of Wall Cover Not Available with 4432

**REGULARLY FURNISHED:** Duco Cast Iron Caulk Ferrule with Cast Iron Lead Seal Plug. Chrome Plated Bronze Round Frame and Secured Cover. Type of Cover as Indicated by Figure Number Selected.

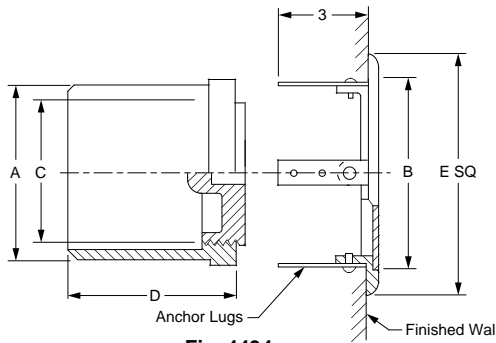


# CLEANOUTS

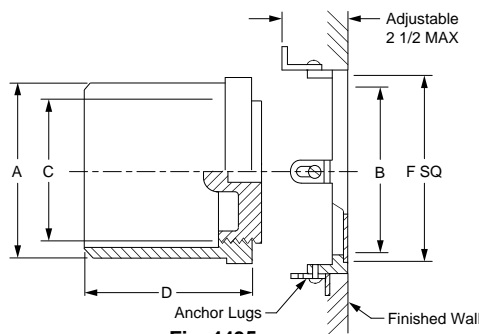
## FIG. 4434, 4435 CAULK FERRULE CLEANOUT TAPER THREAD PLUG W/SQUARE FRAME AND COVER



**FUNCTION:** Used to cover cleanout plugs concealed in walls. The square design is particularly adaptable to adjacent walls, floors, ceilings, etc., that are finished of material in straight line patterns. The anchoring lugs provide easy means for securing the frame to the wall construction. The face-of-wall cover (4434) is for tile, masonry, or dry wall construction and is usually installed on an opening provided in the finished wall. The flush-with-wall cover (4435) is for plaster or wet wall construction and is installed during the wall construction.



**Fig. 4434**



**Fig. 4435**

**OPTIONS:**

- BB Cast Bronze Ferrule and Plug .....POA
- TH Plug Tapped 1/4-20 w/T Handle for Plug.....71.00
- U Vandal Proof Screw .....53.00
- Solid Scoriated Cover f/Flush Type Cover .....See Fig 4441

**ADD**

		COVER MATERIAL	A - PIPE SIZE:	Δ02"	Δ03"	Δ04"	05"	06"	08"	*	*
4434	Face of Wall	†Chrome Plated (-CP)	B - COVER SIZE SQ:	6 x 6"	6 x 6"	6 x 6"	8 x 8"	8 x 8"	10 x 10"	12 x 12"	15 x 15"
		Nickel Bronze (-NB)		418.00	450.00	481.00	706.00	770.00	1,014.00		
		Polished Bronze (-PB)		385.00	418.00	449.00	659.00	723.00	959.00		
4435	Flush with Wall	†Chrome Plated (-CP)	A - PIPE SIZE:	Δ02"	Δ03"	Δ04"	05"	06"	08"	*	*
		Nickel Bronze (-NB)	B - COVER SIZE SQ:	6 x 6"	6 x 6"	6 x 6"	8 x 8"	8 x 8"	10 x 10"	12 x 12"	15 x 15"
		Polished Bronze (-PB)		418.00	450.00	481.00	706.00	770.00	1,014.00		
			C - SIZE	1 1/2"	2 1/2"	3 1/2"	4 1/2"	5 1/2"	7 1/2"	-	-
			D	3 1/2"	3 3/4"	4 1/4"	4 1/4"	4 1/4"	4 1/2"	-	-
			E SQ	7 3/4"	7 3/4"	7 3/4"	9 3/4"	9 3/4"	11 3/4"	13 3/4"	16 3/4"
			F SQ	6 1/2"	6 1/2"	6 1/2"	8 1/2"	8 1/2"	10 1/2"	12 1/2"	15 1/2"
			APPROX WT. LBS.	5	7	10	12	13	26		

ΔSized for Service Weight and/or NO-HUB \*Covers may be used with any of the above plugs

**REGULARLY FURNISHED:** Duco Cast Iron Caulk Ferrule with Cast Bronze Taper Thread Plug, Chrome Plated Bronze Square Frame and Secured Cover. Type of Cover as Indicated by Figure Number Selected.

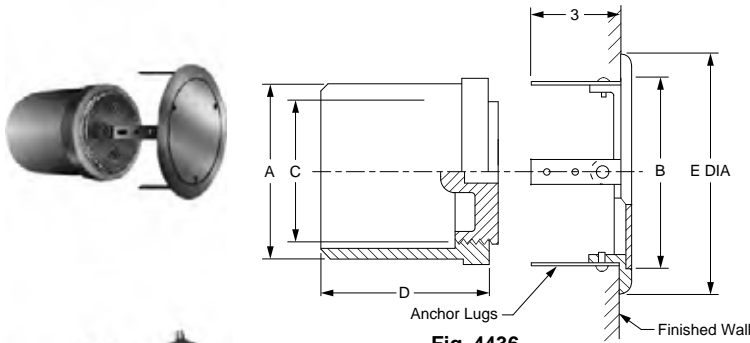
CLEANOUTS

# CLEANOUTS

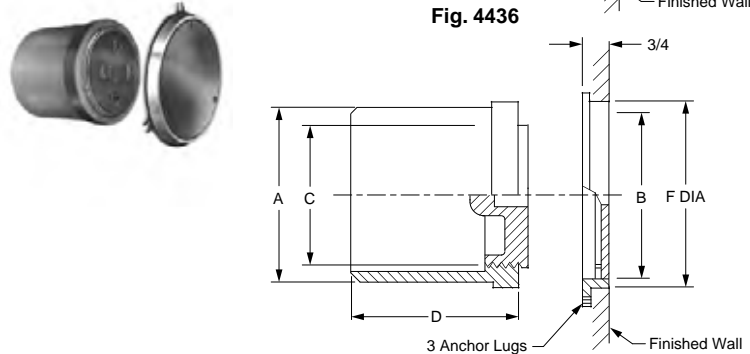
## FIG. 4436, 4437 CAULK FERRULE CLEANOUT TAPER THREAD PLUG W/ROUND FRAME AND COVER



**FUNCTION:** Used to cover cleanout plugs concealed in walls. Round design eliminates necessity for lining up with adjacent floors, ceilings, moldings, etc. The anchoring lugs provide easy means for securing the frame to the wall construction. The face-of-wall cover (4436) is for tile, masonry, or dry wall construction and is usually installed on an opening provided in the finished wall. The flush-with-wall cover (4437) is for plaster or wet wall construction and is installed during wall construction.



**Fig. 4436**



**Fig. 4437**

**OPTIONS:**

-BB	Cast Bronze Ferrule and Plug .....	POA
-TH	Plug Tapped 1/4-20 w/T Handle for Plug.....	71.00
-U	Vandal Proof Screw .....	53.00
	Solid Scoriated Cover f/Flush Type Cover .....	See Fig 4440

**ADD**

		COVER MATERIAL	A - PIPE SIZE:	Δ02"	Δ03"	Δ04"	05"	06"	*08"
4436	Face of Wall	†Chrome Plated (-CP)	B - COVER SIZE DIA:	4"	5 1/2"	6"	6"	8"	10"
		Nickel Bronze (-NB)		271.00	303.00	333.00	389.00	603.00	1,034.00
		Polished Bronze (-PB)		245.00	278.00	308.00	363.00	570.00	918.00
				227.00	260.00	290.00	345.00	545.00	858.00
4437	Flush with Wall	†Chrome Plated (-CP)	A - PIPE SIZE:	Δ02"	Δ03"	Δ04"	05"	06"	*08"
		Nickel Bronze (-NB)	B - COVER SIZE DIA:	4"	5 1/2"	6"	6"	8"	10"
		Polished Bronze (-PB)		271.00	303.00	333.00	389.00	603.00	1,034.00
				245.00	278.00	308.00	363.00	570.00	918.00
				227.00	260.00	290.00	345.00	545.00	858.00
		C - SIZE		1 1/2"	2 1/2"	3 1/2"	4 1/2"	5 1/2"	7 1/2"
		D		3 1/2"	3 3/4"	4 1/4"	4 1/4"	4 1/4"	4 1/2"
		E DIA		6"	7"	7"	7"	10"	-
		F DIA		4 1/2"	5 3/4"	6 1/2"	6 1/2"	8 1/2"	10 1/2"
		APPROX WT. LBS.		8	12	17	19	20	25

\*10" Face of Wall Cover Not Available with 4436

ΔSized for Service Weight and/or NO-HUB

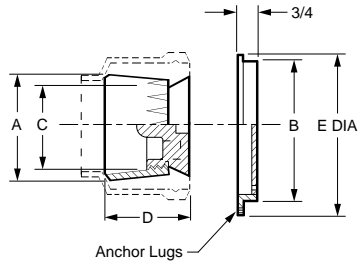
**REGULARLY FURNISHED:** Duco Cast Iron Caulk Ferrule with Cast Bronze Taper Thread Plug. Chrome Plated Bronze Round Frame and Secured Cover. Type of Cover as Indicated by Figure Number Selected.

# CLEANOUTS

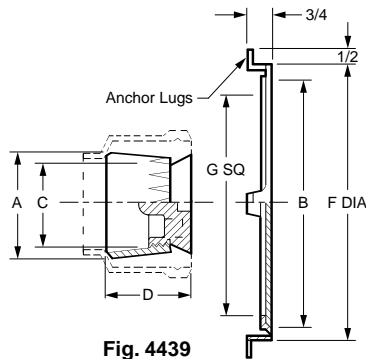
## FIG. 4438, 4439 CAULK FERRULE CLEANOUT LEAD SEAL PLUG W/FRAME AND SCORIATED COVER



**FUNCTION:** Used in hub openings where a floor or wall cover is required. Ribbing on outside of ferrule prevents turning of ferrule in the caulking lead.



**Fig. 4438**



**Fig. 4439**

**OPTIONS:**

- BB Cast Bronze Ferrule .....POA
- BP Cast Bronze Lead Seal Plug  
02, 03, 04, 05" .....106.00  
06, 08" .....339.00
- TH Plug Tapped 1/4-20 Thread w/T Handle for Plug .....71.00
- U Vandal Proof Screw .....53.00  
Cover Drilled in Center and Furnished  
with 1/4-20 x 2 1/2" Long Screw.....76.00

		COVER MATERIAL	A - PIPE SIZE:	02"	03"	04"	05"	06"	08"
4438	Flush Type Cover	Chrome Plated (-CP)	B - COVER SIZE DIA:	4"	5 1/2"	6"	6"	8"	10"
		†Nickel Bronze (-NB)		271.00	303.00	334.00	390.00	603.00	1,035.00
		Polished Bronze (-PB)		246.00	278.00	309.00	365.00	570.00	919.00
				227.00	259.00	290.00	346.00	545.00	860.00
		COVER MATERIAL	A - PIPE SIZE:	02"	03"	04"	05"	06"	08"
4439	Flush Type Cover	Chrome Plated (-CP)	B - COVER SIZE SQ:	6 x 6"	6 x 6"	6 x 6"	8 x 8"	8 x 8"	10 x 10"
		†Nickel Bronze (-NB)		385.00	416.00	447.00	659.00	723.00	959.00
		Polished Bronze (-PB)		385.00	416.00	447.00	659.00	723.00	959.00
				341.00	372.00	403.00	596.00	660.00	894.00
			C - SIZE	1 1/2"	2 1/2"	3 1/2"	4 1/2"	5 1/2"	7 1/2"
			D	2 1/2"	2 3/4"	3"	3"	3"	3 1/2"
			E DIA	4 1/2"	5 3/4"	6 1/2"	6 1/2"	8 1/2"	10 1/2"
			F SQ	7"	7"	7"	9"	9"	11"
			G SQ	5 1/2"	5 1/2"	5 1/2"	7 1/2"	7 1/2"	9 1/2"

**REGULARLY FURNISHED:** Duco Cast Iron Caulk Ferrule with Cast Iron Lead Seal Plug and Secured Scoriated Nickel Bronze Cover and Frame with Anchor Lugs. Type of Cover as Indicated by Figure Number Selected.

CLEANOUTS

# CLEANOUTS

## FIG. 4440, 4441 CAULK FERRULE CLEANOUT TAPER THREAD PLUG W/FRAME AND SCORIATED COVER

**FUNCTION:** Used in hub openings where a floor or wall cover is required. Face-of-Wall or Flush-with-Wall Cover available with finished wall.



Same as 4438 and 4439 but with Taper Thread Plug

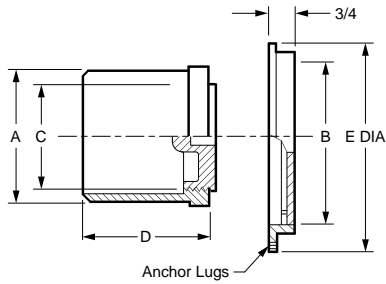


Fig. 4440

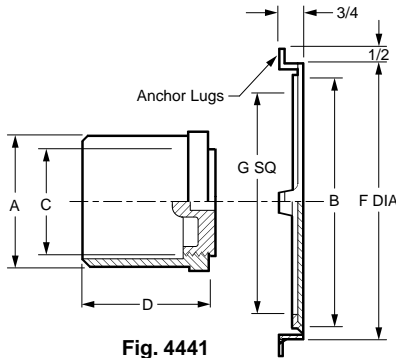


Fig. 4441

**OPTIONS:**

- BB Cast Bronze Ferrule.....POA
- TH Plug Tapped 1/4-20 Thread w/T Handle for Plug.....71.00
- U Vandal Proof Screw .....53.00
- Cover Drilled in Center and Furnished with 1/4-20 x 2 1/2" Long Screw.....84.00
- Smooth Cover for Flush-Type Cover.....See Fig 4435, 4437

		COVER MATERIAL	A - PIPE SIZE:	Δ02"	Δ03"	Δ04"	05"	06"	08"
4440	Flush Type Cover	Chrome Plated (-CP)	B - COVER SIZE DIA:	4"	5 1/2"	6"	6"	8"	10"
		†Nickel Bronze (-NB)		271.00	303.00	334.00	390.00	603.00	1,035.00
		Polished Bronze (-PB)		246.00	278.00	309.00	365.00	570.00	919.00
				227.00	259.00	290.00	346.00	545.00	860.00
		COVER MATERIAL	A - PIPE SIZE:	02"	03"	04"	05"	06"	08"
4441	Flush Type Cover	Chrome Plated (-CP)	B - COVER SIZE SQ:	6 x 6"	6 x 6"	6 x 6"	8 x 8"	8 x 8"	10 x 10"
		†Nickel Bronze (-NB)		385.00	417.00	449.00	659.00	723.00	959.00
		Polished Bronze (-PB)		385.00	417.00	449.00	659.00	723.00	959.00
				341.00	373.00	405.00	596.00	660.00	894.00
			C - SIZE	1 1/2"	2 1/2"	3 1/2"	4 1/2"	5 1/2"	7 1/2"
			D	3 1/2"	3 3/4"	4 1/4"	4 1/4"	4 1/4"	4 1/2"
			E DIA	4 1/2"	5 3/4"	6 1/2"	6 1/2"	8 1/2"	10 1/2"
			F SQ	7"	7"	7"	9"	9"	11"
			G SQ	5 1/2"	5 1/2"	5 1/2"	7 1/2"	7 1/2"	9 1/2"

ΔSized for Service Weight and/or NO-HUB

**REGULARLY FURNISHED:** Duco Cast Iron Caulk Ferrule with Cast Bronze Taper Thread Plug and Secured Scoriated Nickel Bronze Cover and Frame with Anchor Lugs. Type of Cover as Indicated by Figure Number Selected.

# CLEANOUTS

## FIG. 4450, 4452 CAULK FERRULE CLEANOUT FULL CALIBER FERRULE TAPER THREAD PLUG W/ROUND COVER



**FUNCTION:** Used in hub openings in drainage piping where a cleanout is required. Plug size equals ferrule size. Face-of-Wall cover is desirable on finished walls.

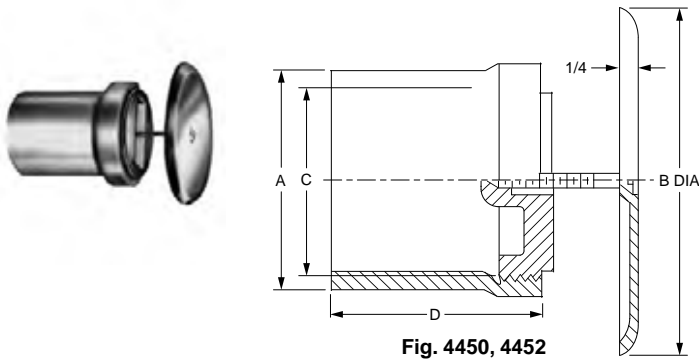


Fig. 4450, 4452

- OPTIONS:**
- BB Cast Bronze Ferrule ..... POA
  - LSS 6" Long Center Screw..... 25.00
  - TH Plug Tapped 1/4-20 Thread w/T Handle for Plug..... 71.00
  - U Vandal Proof Screw ..... 53.00

**ADD**

LESS COVER	CLEANOUT MATERIAL		A - PIPE SIZE:	02"	03"	04"
4450	†CI Ferrule and Bronze Plug			101.00	132.00	217.00
	All Bronze			POA	POA	POA
WITH COVER	CLEANOUT MATERIAL	COVER MATERIAL	A - PIPE SIZE:	02"	03"	04"
4452	†CI Ferrule and Bronze Plug	†Stainless Steel (-SS)	B - COVER SIZE DIA:	4 1/4"	5 1/2"	7"
		Prime Coated Steel (-PC)		176.00	206.00	311.00
		Polished Bronze (-PB)		153.00	182.00	287.00
				153.00	182.00	287.00
		C - SIZE		2 1/2"	3"	4"
		D		3 1/2"	3 3/4"	4 1/4"
		APPROX WT. LBS.		5	8	13

**REGULARLY FURNISHED:** Duco Cast Iron Full Caliber Caulk Ferrule with Cast Bronze Taper Thread Plug, with Stainless Steel Round Cover and Screw as Indicated by Figure Number Selected.

## FIG. 4470, 4472 TAPER THREAD PLUG WITH ROUND COVER

**FUNCTION:** Used in female pipe size openings in drainage piping where a cleanout is required. Countersunk plugs have slot sized to receive 1/2" thick steel bar stock. Face-of-wall cover is desirable on finished walls.

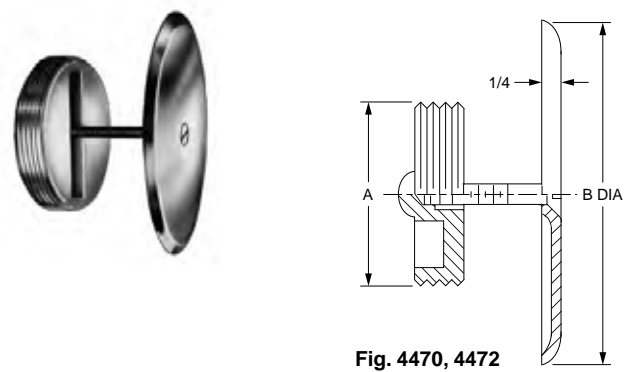


Fig. 4470, 4472

- OPTIONS:**
- LSS 6" Long Center Screw..... 25.00
  - TH Plug Tapped 1/4-20 Thread w/T Handle for Plug..... 71.00
  - U Vandal Proof Screw ..... 53.00

**ADD**

LESS COVER	PLUG MATERIAL	A - PLUG SIZE:	015"	02"	0250"	03"	0350"	04"	05"	06"	08"	10"
4470	†Bronze Plug		25.00	30.00	39.00	53.00	86.00	93.00	143.00	193.00	398.00	590.00
WITH COVER	COVER MATERIAL	B - COVER SIZE DIA:	4 1/4"	4 1/4"	4 1/4"	5 1/2"	5 1/2"	5 1/2"	7"	9 1/4"	11 1/4"	11 1/4"
4472	†Stainless Steel (-SS)		101.00	104.00	113.00	128.00	161.00	170.00	237.00	365.00	660.00	854.00
	Prime Coated Steel (-PC)		77.00	80.00	89.00	104.00	137.00	146.00	213.00	341.00	636.00	831.00
	Polished Bronze (-PB)		77.00	80.00	89.00	104.00	137.00	146.00	213.00	341.00	636.00	831.00
		APPROX WT. LBS.	2	2	3	3	5	5	7	8	11	12

**REGULARLY FURNISHED:** Cast Bronze Taper Thread Plug with Stainless Steel Round Cover and Screw as indicated by Figure Number.

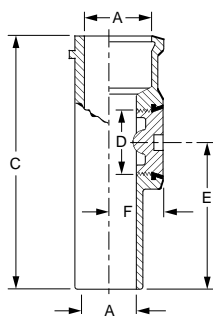
CLEANOUTS

# CLEANOUTS

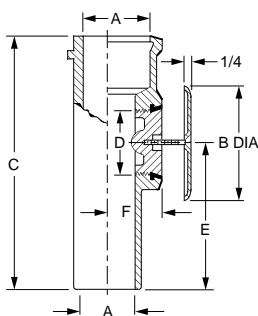
## FIG. 4510, 4530 SERIES CLEANOUT TEE W/COUNTERSUNK PLUG AND ROUND ACCESS COVER



**FUNCTION:** Used in concealed drainage lines where a cleanout is desired. Removable face-of-wall cover allows easy access to closure plug.



**Fig. 4510**



**Fig. 4530**

**OPTIONS:**

-LS	6" Long Center Screw .....	26
-LSU	6" Long Vandal Proof Center Screw .....	75
-TH	Plug Tapped 1/4-20 w/T Handle for Plug .....	70
-U	Vandal Proof Screw (1/4-20 X 2 1/2") .....	30
Y	No-Hub Tee (02, 03, 04" only) .....	N/C

**ADD**

LESS COVER			A - PIPE SIZE:	02"	03"	04"	05"	06"	
4510	Gasket Seal Cast Iron Plug			198.00	236.00	357.00	725.00	1097.00	
4511	Gasket Seal Bronze Plug			367.00	396.00	513.00	890.00	1,634.00	
4512	Taper Thread Bronze Plug			367.00	396.00	513.00	890.00	1,634.00	
WITH COVER			COVER MATERIAL	B - COVER SIZE DIA:	4 1/4"	5 1/2"	7"	7"	9 1/4"
<b>With Cast Iron Plug</b>									
4530	Gasket Seal Plug	†Stainless Steel (-SS)		254.00	293.00	437.00	697.00	1,095.00	
		Prime Coated Steel (-PC)		224.00	263.00	406.00	667.00	1,065.00	
		Polished Bronze (-PB)		264.00	309.00	478.00	785.00	1,253.00	
<b>With Bronze Plug</b>									
4531	Gasket Seal Plug	†Stainless Steel (-SS)		389.00	408.00	521.00	824.00	1,905.00	
		Prime Coated Steel (-PC)		359.00	379.00	494.00	804.00	1,494.00	
		Polished Bronze (-PB)		382.00	403.00	524.00	854.00	1,588.00	
<b>With Bronze Plug</b>									
4532	Taper Thread Plug	†Stainless Steel (-SS)		389.00	408.00	521.00	834.00	1,524.00	
		Prime Coated Steel (-PC)		359.00	379.00	494.00	804.00	1,494.00	
		Polished Bronze (-PB)		382.00	403.00	524.00	854.00	1,588.00	
			C	10 1/2"	11 3/4"	12"	*13"	16"	
			D SIZE	1 1/2"	2 1/2"	3 1/2"	4 1/2"	6"	
			E	6 1/4"	7"	7"	8 1/2"	9"	
			F	2"	2 1/2"	3"	4"	4 1/2"	

\*This Dimension becomes 15" for the 4512 and 4532.

**REGULARLY FURNISHED:** Duco Cast Iron Cleanout Tee and Countersunk Plug with Stainless Steel Round Cover and Screw as Indicated by Figure Number Selected.

# CLEANOUTS

## FIG. 4550, 4555 SERIES CLEANOUT TEE W/SQUARE FRAME AND COVER



**FUNCTION:** Used in concealed drainage lines where a cleanout is desired. Face-of-Wall Cover should be used for tile, masonry or drywall construction. The Flush-with-Wall cover is ideal for plaster or wet wall construction.

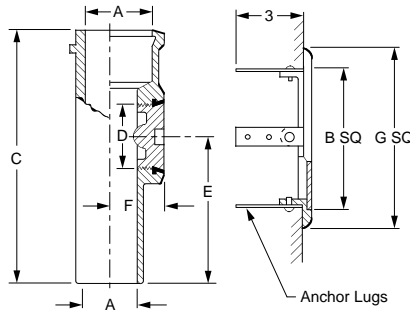


Fig. 4550

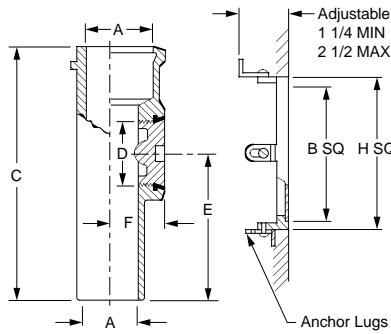


Fig. 4555

**OPTIONS:**

- U Vandal Proof Screw (1/4-20 X 2 1/2") .....83.00
- Y No-Hub Tee (02, 03, 4" only) .....N/C

ADD  
83.00  
N/C

FACE OF WALL COVER			A - PIPE SIZE:	02"	03"	04"	05"	06"
<b>With Cast Iron Plug</b>			<b>B - COVER SIZE SQ:</b>	6 x 6"	6 x 6"	6 x 6"	8 x 8"	10 x 10"
4550	Gasket Seal Plug	†CP Frame & Cover (-CP)		525.00	560.00	640.00	1,155.00	1,375.00
		NB Frame & Cover (-NB)		464.00	504.00	714.00	950.00	1,428.00
		PB Frame & Cover (-PB)		441.00	479.00	679.00	890.00	1,356.00
<b>With Bronze Plug</b>								
4551	Gasket Seal Plug	†CP Frame & Cover (-CP)		618.00	653.00	733.00	1,248.00	1,468.00
		NB Frame & Cover (-NB)		557.00	597.00	807.00	1,043.00	1,521.00
		PB Frame & Cover (-PB)		538.00	572.00	772.00	983.00	1,449.00
<b>With Bronze Plug</b>								
4553	Taper Thread Plug	†CP Frame & Cover (-CP)		618.00	653.00	733.00	1,248.00	1,468.00
		NB Frame & Cover (-NB)		557.00	597.00	807.00	1,043.00	1,521.00
		PB Frame & Cover (-PB)		538.00	572.00	772.00	983.00	1,449.00
<b>FLUSH WITH WALL COVER</b>								
<b>With Cast Iron Plug</b>								
4555	Gasket Seal Plug	†CP Frame & Cover (-CP)		497.00	572.00	617.00	1,004.00	1,290.00
		NB Frame & Cover (-NB)		464.00	494.00	584.00	956.00	1,234.00
		PB Frame & Cover (-PB)		418.00	448.00	538.00	894.00	1,169.00
<b>With Bronze Plug</b>								
4556	Gasket Seal Plug	†CP Frame & Cover (-CP)		606.00	635.00	725.00	1,112.00	1,633.00
		NB Frame & Cover (-NB)		573.00	602.00	692.00	1,064.00	1,577.00
		PB Frame & Cover (-PB)		527.00	556.00	646.00	1,002.00	1,512.00
<b>With Bronze Plug</b>								
4558	Taper Thread Plug	†CP Frame & Cover (-CP)		606.00	635.00	725.00	1,112.00	1,633.00
		NB Frame & Cover (-NB)		573.00	602.00	692.00	1,064.00	1,577.00
		PB Frame & Cover (-PB)		527.00	556.00	646.00	1,002.00	1,512.00
		C		10 1/2"	11 3/4"	12"	*13"	16"
		D SIZE		1 1/2"	2 1/2"	3 1/2"	4 1/2"	6"
		E		6 1/4"	7"	7"	8 1/2"	9"
		F		2"	2 1/2"	3"	4"	4 1/2"
		G SQ		7 3/4"	7 3/4"	7 3/4"	9 3/4"	11 3/4"
		H SQ		6 1/2"	6 1/2"	6 1/2"	8 1/2"	10 1/2"

\*This Dimension becomes 15" for the 4553 and 4558.

**REGULARLY FURNISHED:** Duco Cast Iron Cleanout Tee and Countersunk Plug with Chrome Plated Bronze Square Frame and Secured Cover. Type of Cover as Indicated by Figure Number Selected.

Spigot Outlet sized for service weight and/or No-Hub.

CLEANOUTS

# CLEANOUTS

## FIG. 4710, 4715 ROUND FACE-OF-WALL ACCESS COVER AND SCREW



**FUNCTION:** Used to conceal cleanout closures in walls. The round access cover is mounted on the surface of the finished wall and is directly secured by the screw to a tapping which must be provided in the cleanout plug. Shallow plates are preferred for all installations except where the cleanout plug protrudes beyond the finished wall surface, in which case the deep type cover must be used.

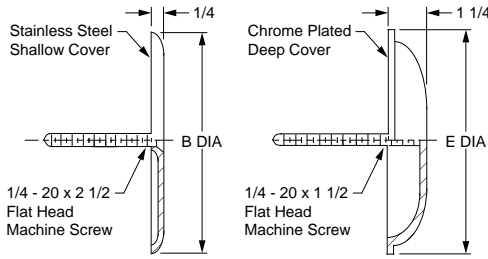


Fig. 4710

Fig. 4715

**OPTIONS:**

- LS 6" Long Center Screw.....26.00
- LSU 6" Long Vandal Proof Center Screw.....78.00
- U Vandal Proof Screw (1/4-20 X 2 1/2") .....50.00

**ADD**

		PLUG SIZE	1 1/2", 2", 2 1/2"	3" 3 1/2", 4"	5"	6"	8", 10"	
4710	Shallow Cover	<b>COVER MATERIAL</b>	<b>B - COVER SIZE DIA:</b>	4 1/4"	5 1/2"	7"	9 1/4"	11 1/4"
		†Stainless Steel (-SS)		56.00	56.00	79.00	159.00	235.00
		Prime Coated Steel (-PC)		58.00	58.00	82.00	166.00	245.00
		Polished Bronze (-PB)		58.00	58.00	82.00	166.00	245.00
		<b>PLUG SIZE</b>	1 1/2", 2", 2 1/2"	3" 3 1/2", 4"	5"	6"	8", 10"	
4715	Deep Cover	<b>COVER MATERIAL</b>	<b>E - COVER SIZE DIA:</b>	*7 1/4"	*7 1/4"	*7 1/4"	9 1/4"	11 1/4"
		†Stainless Steel (-SS)		-	-	207.00	-	-
		Chrome Plated (-CP) or Nickel Bronze (-NB)		-	-	-	325.00	455.00
		Polished Bronze (-PB)		-	-	-	325.00	428.00

\*Die formed SS cover only.

**REGULARLY FURNISHED:** Stainless Steel Shallow Cover or Chrome Plated Bronze Deep Cover with Center Screw as Indicated by Figure Number Selected.

## FIG. 4720, 4725 WALL ACCESS SECURED COVER WITH ROUND FRAME

**FUNCTION:** Used to cover cleanout plugs, valves, controls or equipment concealed in walls. The round design eliminates necessity for lining up with adjacent floors, ceilings, moldings, etc. The anchoring lugs provide easy means for securing the frame to the wall construction. The face-of-wall cover is for tile, masonry, or dry wall construction and is usually installed on an opening provided in the finished wall. The flush-with-wall cover is for plaster or wet wall construction and is installed during the wall construction.

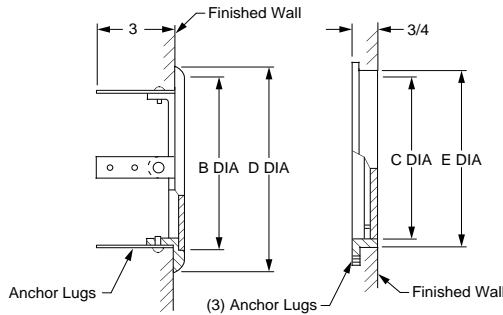


Fig. 4720

Fig. 4725

**OPTIONS:**

- U Vandal Proof Screws .....50.00

**ADD**

		PLUG SIZE	2"	3"	4"	5"	6"	8"	
4720	Face of Wall	<b>B - OPENING SIZE DIA:</b>	4"	5 1/2"	6"	8"	8"	-	
		<b>COVER MATERIAL</b>	<b>D - COVER SIZE DIA:</b>	6"	7"	7 1/2"	10"	10"	-
		†Chrome Plated (-CP)		308.00	308.00	308.00	308.00	521.00	-
		Nickel Bronze (-NB)		273.00	273.00	273.00	273.00	475.00	-
			247.00	247.00	247.00	247.00	440.00	-	
		<b>PLUG SIZE</b>	2"	3"	4"	5"	6"	8"	
4725	Flush With Wall	<b>C - OPENING SIZE DIA:</b>	4"	5 1/2"	6"	6"	8"	10"	
		<b>COVER MATERIAL</b>	<b>E - COVER SIZE DIA:</b>	4 1/2"	5 3/4"	6 1/2"	6 1/2"	8 1/2"	10 1/2"
		†Chrome Plated (-CP)		308.00	308.00	308.00	308.00	521.00	847.00
		Nickel Bronze (-NB)		273.00	273.00	273.00	273.00	475.00	684.00
			247.00	247.00	247.00	247.00	440.00	600.00	
		<b>APPROX WT. LBS.</b>	2	4	5	7	7	8	

**REGULARLY FURNISHED:** Chrome Plated Bronze Round Frame and Secured Cover. Type of Cover as Indicated by Figure Number Selected.



# CLEANOUTS



## FIG. 4730, 4735 WALL ACCESS SECURED COVER WITH SQUARE FRAME

**FUNCTION:** Used to cover cleanout plugs, valves, controls or equipment concealed in walls. The square design is particularly adaptable to adjacent walls, floors, ceilings, etc. that are finished of material in straight line patterns. The anchoring lugs provide easy means for securing the cover to the wall construction. The face-of-wall cover is for tile, masonry, or dry wall construction and is usually installed on an opening provided in the finished wall. The flush-with-wall cover is for plaster or wet wall construction and is installed during the wall construction.

**OPTIONS:**  
 -U Vandal Proof Screws .....50.00

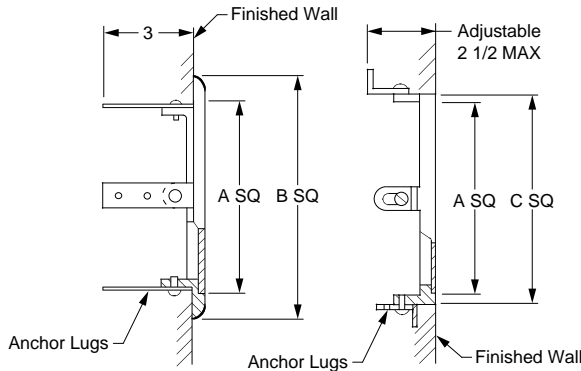


Fig. 4730

Fig. 4735

		A - OPENING SIZE SQ:	6" x 6"	8" x 8"	10" x 10"	12" x 12"	15" x 15"
		B - COVER SIZE SQ:	7 3/4"	9 3/4"	11 3/4"	13 3/4"	16 3/4"
		C - COVER SIZE SQ:	6 1/2"	8 1/2"	10 1/2"	12 1/2"	15 1/2"
4730	Face of Wall	†CP Frame & Cover (-CP)	335.00	490.00	531.00	574.00	1,337.00
		NB Frame & SS Cover (-NB)	305.00	446.00	481.00	521.00	1,216.00
		PB Frame & Cover (-PB)	264.00	390.00	422.00	455.00	1,116.00
4735	Flush With Wall	†CP Frame & Cover (-CP)	335.00	490.00	531.00	574.00	886.00
		NB Frame & SS Cover (-NB)	305.00	446.00	481.00	521.00	806.00
		PB Frame & Cover (-PB)	264.00	390.00	422.00	455.00	740.00
		APPROX WT. LBS.	3	5	8	10	26

**REGULARLY FURNISHED:** Chrome Plated Bronze Square Frame with Anchor Lugs and Secured Cover. Type of Cover as Indicated by Figure Number Selected.

## FIG. 4740, 4745 WALL SQUARE FLUSH VALVE BOX

**FUNCTION:** Used to cover flush valves which are concealed in the wall construction, and provide a means of actuating the valves by handle, push button or pedal, and at the same time to provide access from the toilet room to adjust or maintain the valve. The face-of-wall box is for tile, masonry, or dry wall construction. The open back box is installed in the wall by means of anchor or nail holes provided. The flush-with-wall box is for plaster or wet wall construction and is installed prior to wall finish. The adjustable anchoring lugs provide a means of securely anchoring the box, so that the face of the cover will be flush with the finished wall.

**OPTIONS:**  
 -U Vandal Proof Screws .....53.00  
 Flush Valve Handle Hole\* .....83.00

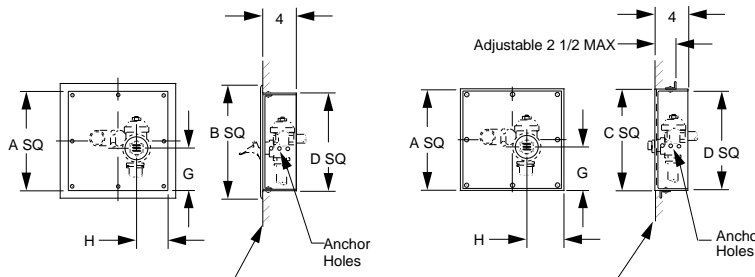


Fig. 4740

Fig. 4745

		A - OPENING SIZE SQ:	10" x 10"	12" x 12"	15" x 15"
		B - COVER SIZE SQ:	11 3/4"	13 3/4"	16 3/4"
		C - COVER SIZE SQ:	10 1/2"	12 1/2"	15 1/2"
		D - OPENING SIZE SQ:	10"	12"	15"
4740	Face of Wall	†CP Frame & Cover (-CP)	813.00	1,200.00	1,375.00
		NB Frame & SS Cover (-NB)	1,000.00	1,100.00	1,248.00
		PB Frame & Cover (-PB)	900.00	1,000.00	1,100.00
4745	Flush With Wall	†CP Frame & Cover (-CP)	813.00	1,200.00	1,375.00
		NB Frame & SS Cover (-NB)	1,000.00	1,100.00	1,248.00
		PB Frame & Cover (-PB)	900.00	1,000.00	1,100.00
		APPROX WT. LBS.	14	18	26

**NOTE:** G and H dimensions depend on Flush Valve being used. Always specify location and Manufacturers Make and Model

\*Specify location and manufacturers make and model.

**REGULARLY FURNISHED:** Chrome Plated Bronze Square Frame and Cover Secured with Screws, Aluminum Frame and Anchors.

# CLEANOUTS

**FIG. 4760, 4765 SERIES WALL AND CEILING ACCESS DOORS SQUARE OR RECTANGULAR FRAMES W/HINGED LOCKED DOOR**



**FUNCTION:** Used to cover cleanout plugs, valves, controls or equipment concealed in walls and ceilings. Larger sizes are used to provide man access to utility and attic spaces. The face-of-the-wall type is for tile, masonry or dry wall construction, and is usually installed in an opening provided in the finished wall. The flush-with-wall type is for plaster or wet wall construction and is installed prior to finish. The anchor holes provide a means of securely anchoring so that the face of the cover will be flush with the finished wall.

**OPTIONS:**

- AK Allen Key Latch ..... POA
- CL Cylinder Lock (CL) ..... POA
- SCL Screwdriver Cam Latch..... POA

**ADD**

(Specify Opening Device)

\*Doors 24" and Larger are furnished with a Continuous Piano Hinge



DOOR SIZE	4760 DRY WALL PC STEEL	4762 DRY WALL STAINLESS STEEL	4765 PLASTER WALL PC STEEL	4767 PLASTER WALL STAINLESS STEEL	APPROX. WEIGHT LBS
08 x 08"	POA	POA	POA	POA	5
12 x 12"	POA	POA	POA	POA	8
12 x 16"	POA	POA	POA	POA	10
16 x 16"	POA	POA	POA	POA	12
18 x 18"	POA	POA	POA	POA	14
24 x 24"	POA	POA	POA	POA	20
24 x 36"	POA	POA	POA	POA	30

**REGULARLY FURNISHED:** 16 gauge steel door and frame with concealed hinge\* and screwdriver operated latch which holds the door securely closed. Nailers slots are provided for attaching to studs. Anchor straps are available when required for installation in masonry construction. When "B" dimension is 24" or over, additional latches are provided at the top and bottom of door. When specified with allen latch or cylinder lock, matching latches/locks are furnished.

**4760 SERIES**

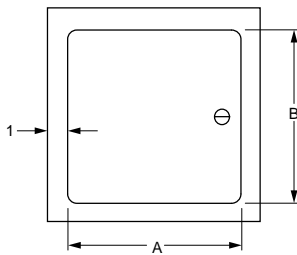


Fig. 4760

**4765 SERIES**

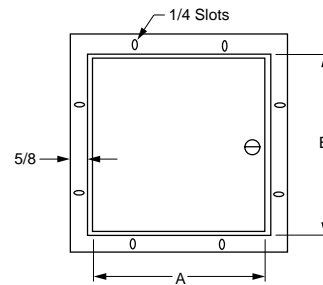
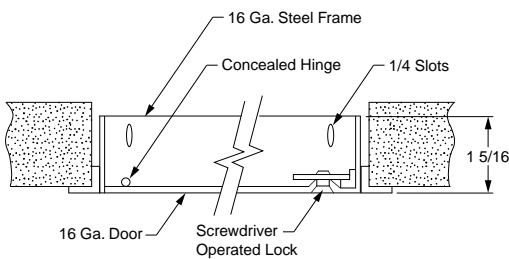


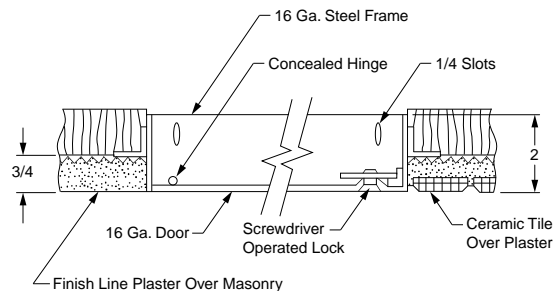
Fig. 4765

**FEATURES AND TYPICAL INSTALLATIONS**

**FACE OF WALL TYPE**



**FLUSH WITH WALL TYPE**



# CLEANOUTS



## FIG. 4810 FLOOR ACCESS COVER W/ROUND FRAME AND SCORIATED COVER

**FUNCTION:** Used in concrete floors and/or surfaced areas. Scoriated covers are used where floors are subject to ordinary foot traffic and normal loadings. The secured cover should be used wherever vandalism can be a problem.

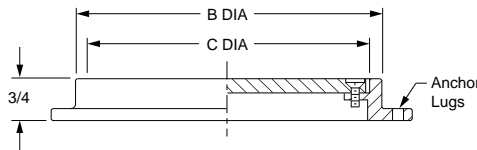


Fig. 4810

**OPTIONS:**

- U Vandal Proof Screws .....29.00
- COVER DRILLED IN CENTER AND FURNISHED WITH 1/4"-20 x 2 1/2" LONG SCREW .....80.00
- SMOOTH TOP FOR FLUSH-TYPE COVER .....See Fig. 4725

**ADD**

		PLUG SIZE	02"	03"	04"	05"	06"	08"
		B - DIA:	4 1/2"	5 3/4"	6 1/2"	6 1/2"	8 1/2"	10 1/2"
		C - COVER DIA:	4 "	5 1/2"	6"	6"	8"	10"
4810	†Nickel Bronze (-NB)		186.00	186.00	186.00	495.00	495.00	495.00
	Polished Bronze (-PB)		177.00	177.00	177.00	470.00	470.00	470.00
		APPROX WT. LBS.	2	3	5	5	9	13

**REGULARLY FURNISHED:** Secured Scoriated Nickel Bronze Cover and Frame with Anchor Lugs.

## FIG. 4890 ROUND DECK PLUG W/THREADED SPANNER WRENCH COVER

**FUNCTION:** Used as floor cleanout for drainage lines. The threaded machine fit cover is watertight and requires a spanner wrench for removal.

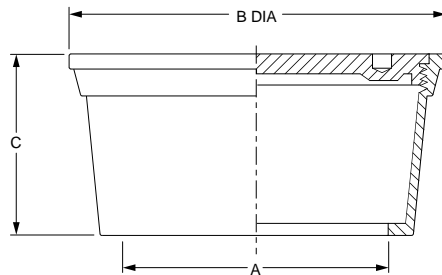


Fig. 4890

**OPTIONS:**

- SH Securing Holes (Fig. DX4890) .....68.00
- SW Spanner Wrench.....79.00

**ADD**

		A - PLUG SIZE	02"	03"	04"	05"	06"	08"
		B - DIA:	4"	4 3/4"	6"	8"	8 3/4"	10 3/4"
		C	2"	3"	3"	3 1/2"	3 1/2"	3 1/2"
4890	†Nickel Bronze (-NB)		307.00	429.00	476.00	705.00	787.00	1,640.00
	Polished Bronze (-PB)		284.00	382.00	429.00	680.00	764.00	1,287.00
		APPROX WT. LBS.	3	7	9	10	12	18
DX4890	†Nickel Bronze (-NB)		931.00	1,053.00	1,100.00	-	-	-
	Polished Bronze (-PB)		908.00	1,006.00	1,053.00	-	-	-
		APPROX WT. LBS.	8	13	17	-	-	-

**REGULARLY FURNISHED:** All Nickel Bronze with Polished Scoriated Cover.

CLEANOUTS

# CLEANOUTS



## FIG. 4910, 4915 SQUARE OR RECTANGULAR FRAMES W/SECURED COVER

**FUNCTION:** Used in concrete floors and surfaced areas subject to pedestrian or similar traffic to provide access to cleanouts, valves, controls or equipment. Particularly suitable for multiple installation of valves such as radiant heating balancing valves. Framing lugs are provided to attach to wood forms, arranged so form can be removed after concrete sets. Perforated flange keys into concrete, providing permanent anchor. Hinged covers are recommended for frequently used type of installations.

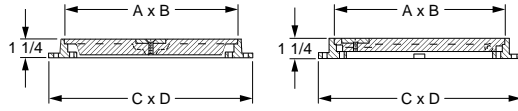


Fig. 4910

Fig. 4915

- OPTIONS:**
- U Vandal Proof Screws ..... **ADD 53.00**
  - Cover Cast with words "Cleanout" (-CO), "Gas Shut Off" (-GSO) or "Water Shutoff" (WSO) ..... **107.00**

	A X B COVER SIZE	C X D	†ALL ROUGH ALUMINUM	POLISHED ALUMINUM (-PT)	STEEL DIAMOND PLATE (-HD)	APPROX. WEIGHT LBS
<b>4910 SECURED COVER</b>	06 x 06"	08 x 08"	195.00	266.00	399.00	3
	06 x 12"	08 x 14"	251.00	321.00	491.00	5
	09 x 09"	11 x 11"	346.00	428.00	564.00	6
	12 x 12"	14 x 14"	420.00	487.00	893.00	8
	15 x 15"	17 x 17"	756.00	873.00	1,481.00	11
	24 x 24"	26 x 26"	1,730.00	1,943.00	3,058.00	24
<b>4915 HINGED SECURED COVER</b>	06 x 06"	08 x 08"	298.00	365.00	501.00	3
	09 x 09"	11 x 11"	462.00	530.00	1,108.00	6
	12 x 12"	14 x 14"	534.00	606.00	1,252.00	8
	15 x 15"	17 x 17"	924.00	1,038.00	1,581.00	-

**REGULARLY FURNISHED:** Plain Aluminum Frame and Secured Scoriated Cover with Lifting Device.

## FIG. 4930, 4940 FLOOR ACCESS COVER W/SQUARE FRAME AND SECURED SCORIATED COVER

**FUNCTION:** Used in concrete floors and surfaced areas subject to normal foot traffic, to provide access to cleanouts, valves, controls or equipment. Hinged covers are recommended for frequently used types of installations.

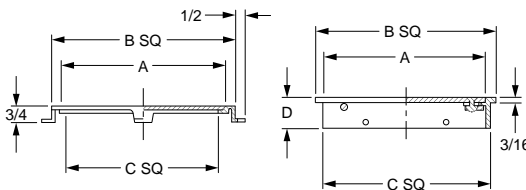


Fig. 4930

Fig. 4940

- OPTIONS:**
- ST Smooth Top ..... **ADD N/C**
  - U Vandal Proof Screws (Fig. 4930 Only) ..... **53.00**

4930 SECURED COVER	A - COVER SIZE SQ:	06 x 06"	08 x 08"	10 x 10"
	B - SQ:	7"	9"	11"
	C - SQ:	5 1/2"	7 1/2"	9 1/2"
COVER MATERIAL	†Nickel Bronze (-NB)	337.00	495.00	534.00
	Polished Bronze (-PB)	293.00	432.00	463.00
4940 HINGED SECURED COVER	B - SQ:	-	9"	12"
	C - SQ:	-	8 3/4"	10 1/2"
	D	-	1 1/2"	3 3/4"
COVER MATERIAL	†Nickel Bronze (-NB)	-	463.00	653.00
	Polished Bronze (-PB)	-	400.00	582.00
	APPROX WT. LBS.	14	18	26

**REGULARLY FURNISHED:** Square Nickel Bronze Frame and Secured Scoriated Cover or Hinged Scoriated Cover with Locking Device.