



Solenoid Valve

3Port Valve/PHS320	P.438
--------------------	-------

5Port Valve/PHS500	P.442
--------------------	-------

5Port Valve/PHS510	P.449
--------------------	-------

5Port Valve/PHS520	P.456
--------------------	-------

5Port Valve/PHS530	P.463
--------------------	-------

5Port Valve/PHS540	P.470
--------------------	-------

NAMUR Valve

5Port Valve/34○Y	P.481
------------------	-------

Air Operated Valve

5Port Valve/PHS520	P.488
--------------------	-------

5Port Valve/PHS530	P.489
--------------------	-------

5Port Valve/PHS540	P.490
--------------------	-------

3-5Port pilot Operated Solenoid Valve

PHS Series



3Port Solenoid Valve

PHS 320 Series _____ P. 438



5Port Solenoid Valve

M5 Port/PHS 500 Series _____ P. 442

1/8 Port/PHS 510 Series _____ P. 449

1/4 Port/PHS 520 Series _____ P. 456

3/8 Port/PHS 530 Series _____ P. 463

1/2 Port/PHS 541 Series _____ P. 470

1/2 Port/PHS 540 Series _____ P. 475

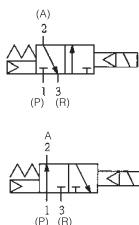


3Port Pilot Operated Solenoid Valve

PHS320 Series

Rubber Seal / In-Line type

PHS320S 3/2 Way
N-C/N-O Common



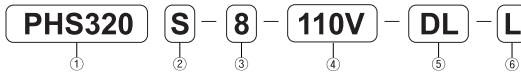
Specification

Item	Unit	PHS320S
Fluid		Non-Lubricated/Lubricated Air
Port Size	Rc(PT)	1/4
Effective Area	mm ² (Cv)	23 (1.3)
Operating Temperature	℃	5 ~ 60
Pressure Range	MPa(bar)	0.15~0.9 (1.5~9.0)
Max. Operating Cycle	cycle/s	10
Response Time	ms	Less than 20
Exhaust type		individual Exhaust
Manual Override		Non-Lock/Lever-Lock
Shock/Vibration Resistance		30G~5G (8.3~200Hz)

Electrical Specification

Voltage	V	DC24V, AC110V, AC220V(50~60Hz)
Allowable Voltage Fluctuation	%	± 10%
Power Consumption	W, VA	DC24V(2.5W), AC110/220V 50Hz(6VA)/60Hz(4.9VA)
Insulation Class		F Class
Wiring		lead Wire, DIN Connector
Indicate lamp		LED

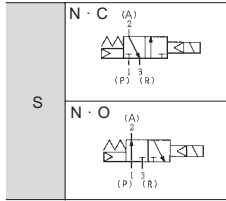
Order Key



1. Series

3Port Solenoid Valve
N · C/N · O common use

2. Function



Note) Possible to use N.O type by rotating body cover.
Offer N.C type initially.

3. Port Size

8	PT 1/4"
---	---------

Note) Basically PHS320 series are assembled N-C

4. Voltage

24V	DC24V
110V	AC110V
220V	AC220V

5. Wiring

No mark	Lead wire
D	DIN connector.
DL	DIN connector, Indicator lamp.
DS	DIN connector, Indicator lamp, Surge protection.

6. Manual

No mark	Non-Lock
L	Lever Lock

Coil and Connector

Coil



Voltage

24V	DC24
110V	AC 110V
220V	AC 220V

Wiring

No mark	Lead wire
D	DIN Connector

Note) Please order the connector together
When you order DIN connector type coil.

Connector



Indicator lamp

No mark	w/o Lamp
L	with Lamp
S	Surge suppressor Indicator lamp

Voltage

24V	DC24
110V	AC 110V
220V	AC 220V

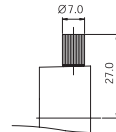
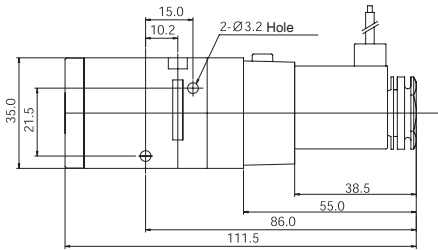
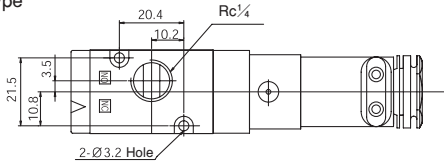
PHS320 Series

Dimension

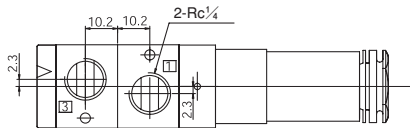
(Unit: mm)

PHS320

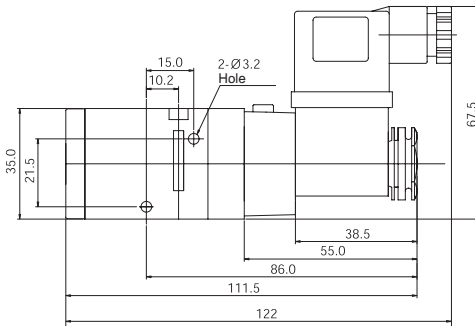
Lead Wire Type



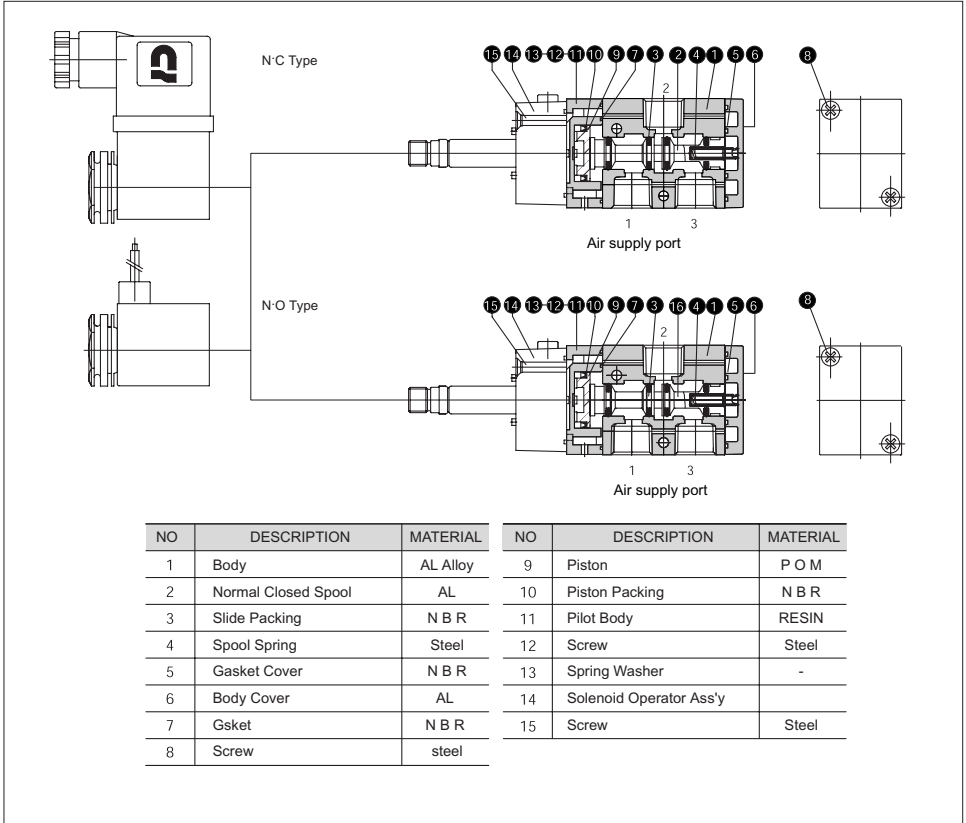
Lever-Lock Type



DIN Connector Type



Construction

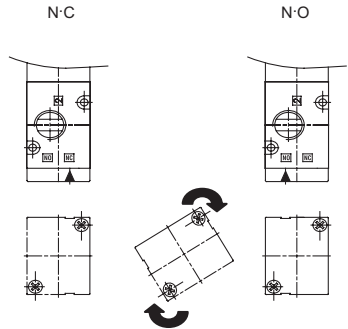


Port Change from N-O to N-C

End Vover must be rotated 180°
And Air supply port must be changed as below table.

Port Identification

Function	N-C type	N-O type
Port No. 1	Air Supply	Exhaust
Port No. 2	Cylinder	Cylinder
Port No. 3	Exhaust	Air Supply



5Port Pilot Operated Solenoid Valve

PHS500 Series

Rubber Seal / In-Line type



PHS500S 2 Position
Single Solenoid

PHS500D 2 Position
Double Solenoid

PHS500C 3 Position
Center closed

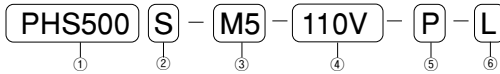
PHS500E 3 Position
Exhaust center

PHS500P 3 Position
Pressure center

Specification

Item	Unit	PHS500S	PSH500D	PHS500C	PHS500E	PHS500P
Fluid		Non-Lubricated/Lubricated Air				
Port Size	M	M5				
Effective Area	mm ²	3.6		3.0		
Operating Temperature	°C	5 ~ 60				
Pressure Range	MPa(bar)	0.15 ~ 1.0 (1.5 ~ 10.0)		0.2 ~ 1.0 (2.0 ~ 10.0)		
Max. Operating Cycle	cycle/s	5		3		
Response Time	ms	25 less		35 less		
Exhaust type		Individual Exhaust				
Manual Override		Non-Lock(standard)/Lever-Lock(option)				
Shock/Vibration Resistance	m/s ²	30G~5G (8.3~200Hz)				
Voltage	V	DC24V, AC110V, AC220V(50 ~60Hz)				
Allowable Voltage Fluctuation	%	AC : ±20% / DC : ±10%				
Power Consumption	W, VA	DC : 2.5W, AC : 3.5VA (60Hz)				
Insulation Class		F Class				
Wiring		Lead Wire, DIN Connector				
Indicate Lamp		LED				

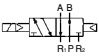
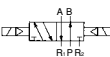


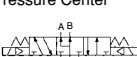
ORDER KEY



1. Series

5 Port Solenoid Valve

2. Function

S	Single Solenoid 
D	Double Solenoid 
C	Center Closed 
E	Exhaust Center 
P	Pressure Center 

3. Port Size

M5	M5 × 0.8
----	----------

4. Voltage

24V	DC24V
110V	AC110V
220V	AC220V

5. Wiring

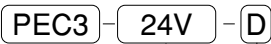
No mark	Lead Wire
P	Horizontal Connector
V	Perpendicular Connector

6. Manual Override

No mark	Non-Lock
L	Lever-Lock

Coil & Connector

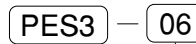
Coil



24V	DC24
110V	AC 110V
220V	AC 220V

No mark	Lead wire
D	DIN

Connector (3pin connector plug)

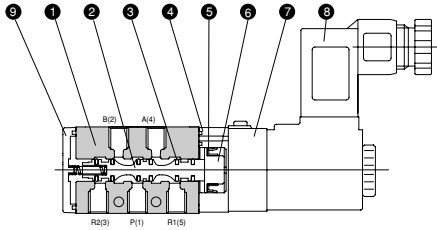


06	600 mm(standard)
10	1,000 mm

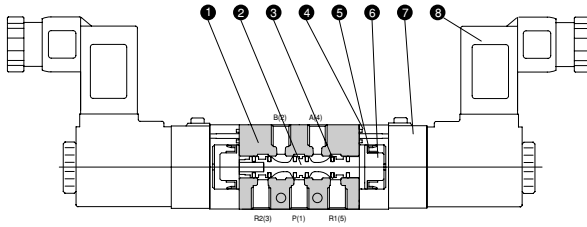
PHS 500 Series

Construction

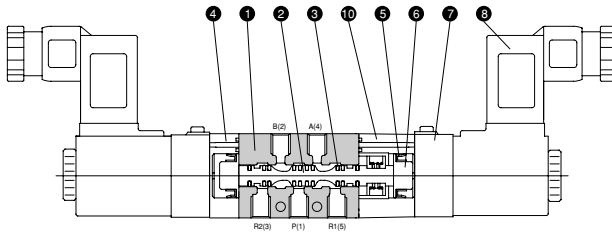
Single Solenoid Valve



Double Solenoid Valve



3 Position Solenoid Valve

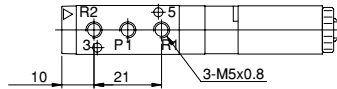
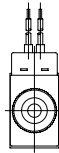
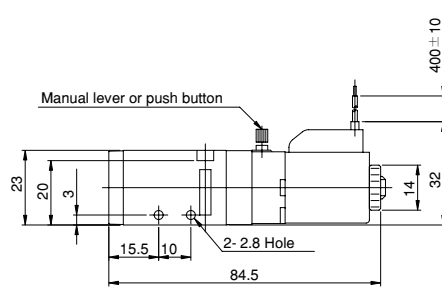
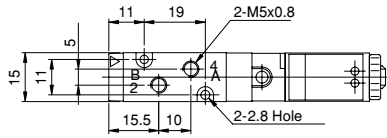


NO.	Description	Material
1	Body	Aluminum Diecasting
2	Spool	Aluminum Diecasting
3	Spool Packing	NBR
4	Cap	Zinc
5	Piston	Resin
6	Semi Pilot	Zinc
7	Pilot	Resin
8	Coil Ass'y	Resin
9	End Cover	Zinc
10	Block Pilot	Zinc

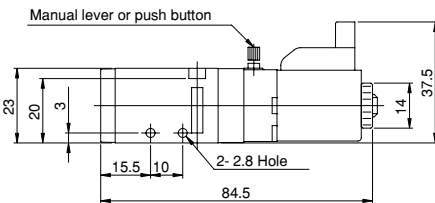
Dimension

(Unit: mm)

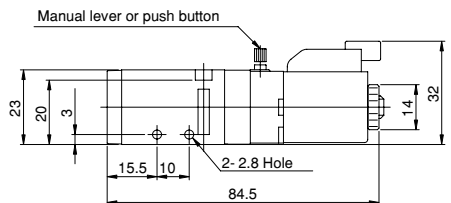
PHS500S



Perpendicular Connector



horizontal Connector

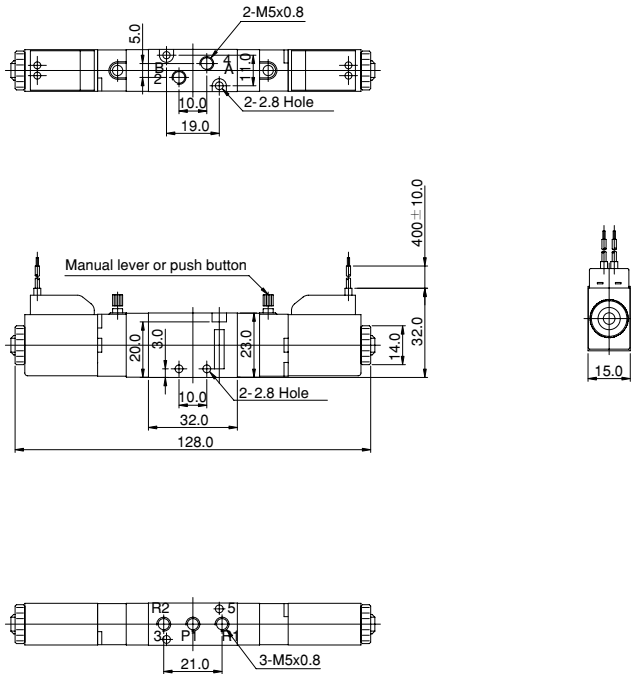


PHS500 Series

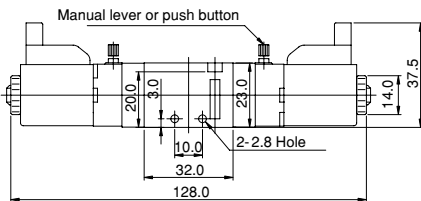
Dimension

(Unit: mm)

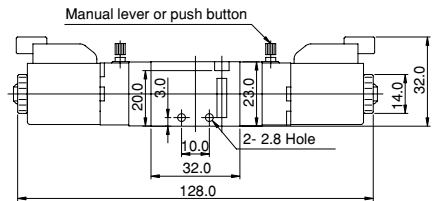
PHS500D



Perpendicular Connector



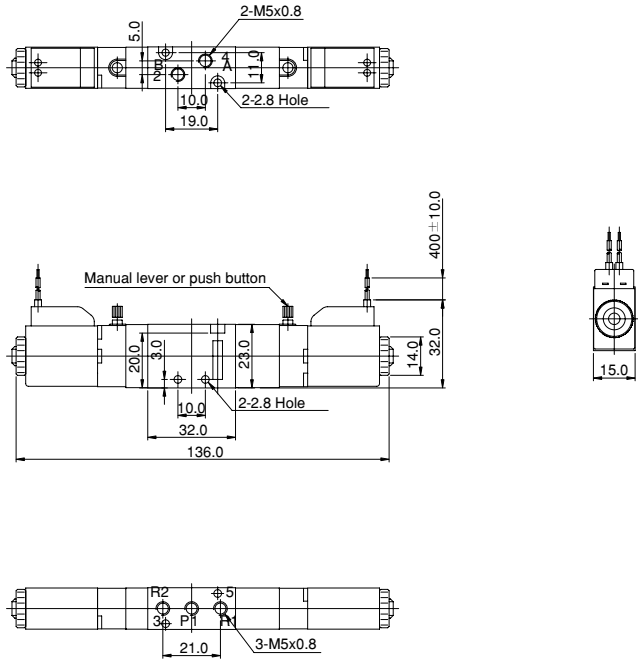
Horizontal Connector



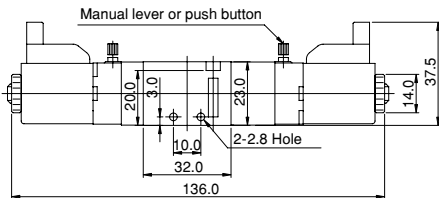
Dimension

(단위 : mm)

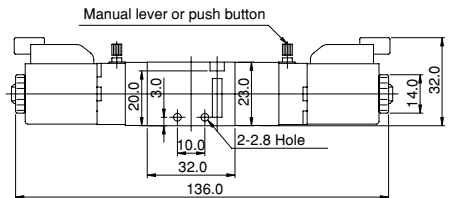
PHS500C, PHS500E, PHS500P



Perpendicular Connector



Horizontal Connector



Manifold

ORDER KEY

PHS500 — M5

Mountable Valve
PHS510 Series

Number of Station

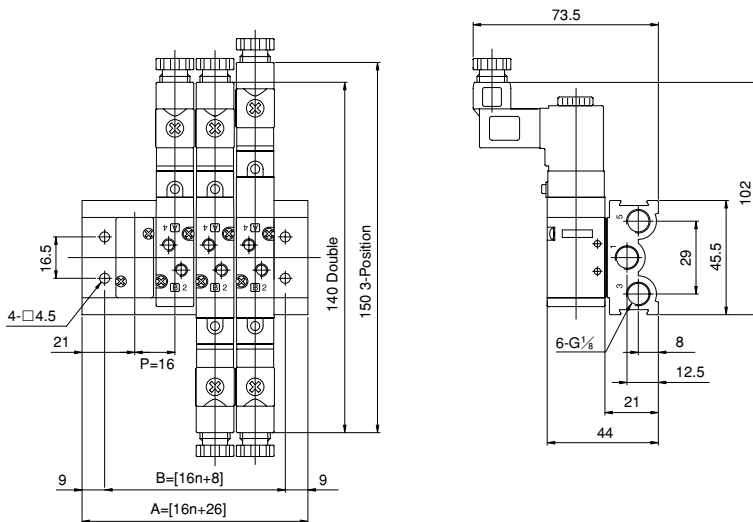
M2	2 station
:	:
M9	9 station

Specification

Type		PHS500-M□
		Common Sup, Common EXH Port 2, 4 on the body
Port Size	Port 1	Rc 1/8
	Port 3, 5	Rc 1/8
	Port 2, 4	Rc 1/8
Station		2 ~ 9 Station
Mounting		Direct mount
Monutable Valve		PHS 500
Blanking Plate		PHS500-BP

Dimensions

(Unit: mm)



Blankig plate : PHS500-BP

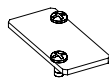
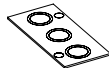


Plate material : SCP1



Gasket material : NBR

5 Port Pilot Operated Solenoid Valve

PHS510 Series

Rubber Seal/In-Line Type

PHS510S 2 Position
Single solenoid

PHS510D 2 Position
Double Solenoid

PHS510C 3 Position
Center Closed

PHS510E 3 Position
Exhaust Center

PHS510P 3 Position
Pressure Center



Specifications

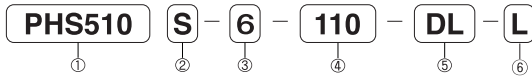
Model No	Unit	PHS510S	PSH510D	PHS510C	PHS510E	PHS510P
Fluid		Non-lubricated / Lubricated Air				
Port Size		PT 1/8"				
Effective Area	mm ² (Cv)	12.6(0.6)			9.0(0.4)	
Temperature Range	°C	5~60°C				
Pressure Range	MPa(bar)	0.15~0.9(1.5~9.0)	0.1~0.9(1.0~9.0)	0.2~0.9(2.0~9.0)		
Max. Operating Cycle	cycle/s	10			3	
Response Time	ms	20 or less			35 or less	
Exhaust Type		Individual Exhaust				
Manual Override		Non-lock(Standard), Lever-lock(Option)				
Shock Vibration Resistance	m/s ²	30G~5G(8.3~200Hz)				

Electrical Specifications

Voltage	V	DC24V, AC110V, AC220V(50~60Hz)
Allowable Voltage Fluctuation	%	±10%
Power Consumption	W, VA	DC24V(2.5W), AC110V(4VA), AC220V(4VA)
Insulation class		F
Wiring		Lead Wire, DIN Connector
Indicator Light		LED

PHS510 Series

ORDER KEY



1. Series

5 Port Solenoid Valve

2. Function

S	Single Solenoid
D	Center Closed
C	Center Closed
E	Exhaust Center
P	Pressure Center

3. Port Size

6	PT 1/8"
---	---------

4. Voltage

24V	DC24V
110V	AC110V
220V	AC220V

5. Wiring

NO mark	Lead Wire
D	DIN Connector
DL	DIN Connector w/Lamp

6. Manual Override

NO mark	Non-Lock
L	Lever-Lock

Coil & Connector

Coil

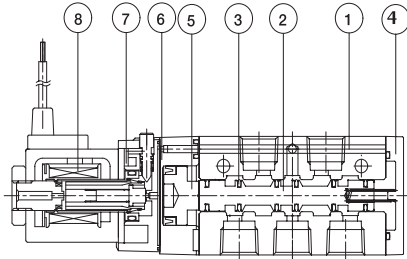
PEC5	DC24	D
Voltage	Wiring	
24V	DC24	No mark Lead Wire
110V	AC 110V	D DIN
220V	AC 220V	

Connector

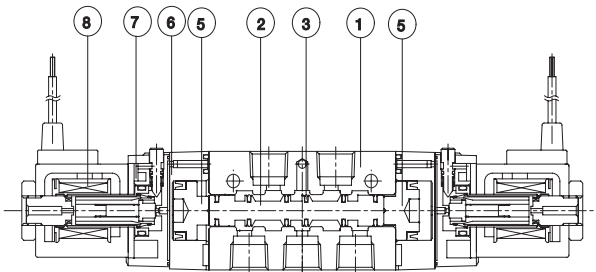
PES5	L	24V
Lamp Indicator	Voltage	
No mark	No Lamp Indicator	24V DC24
L	w/lamp Indicator	110V AC 110V
		220V AC 220V

Construction

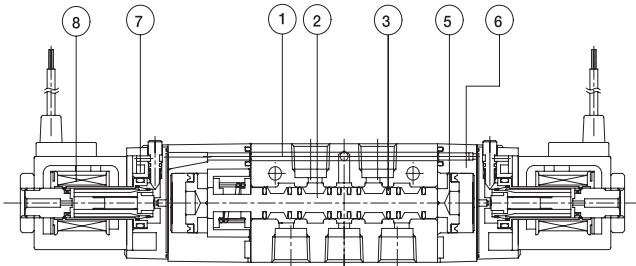
Single Solenoid



Double Solenoid



(3-position)



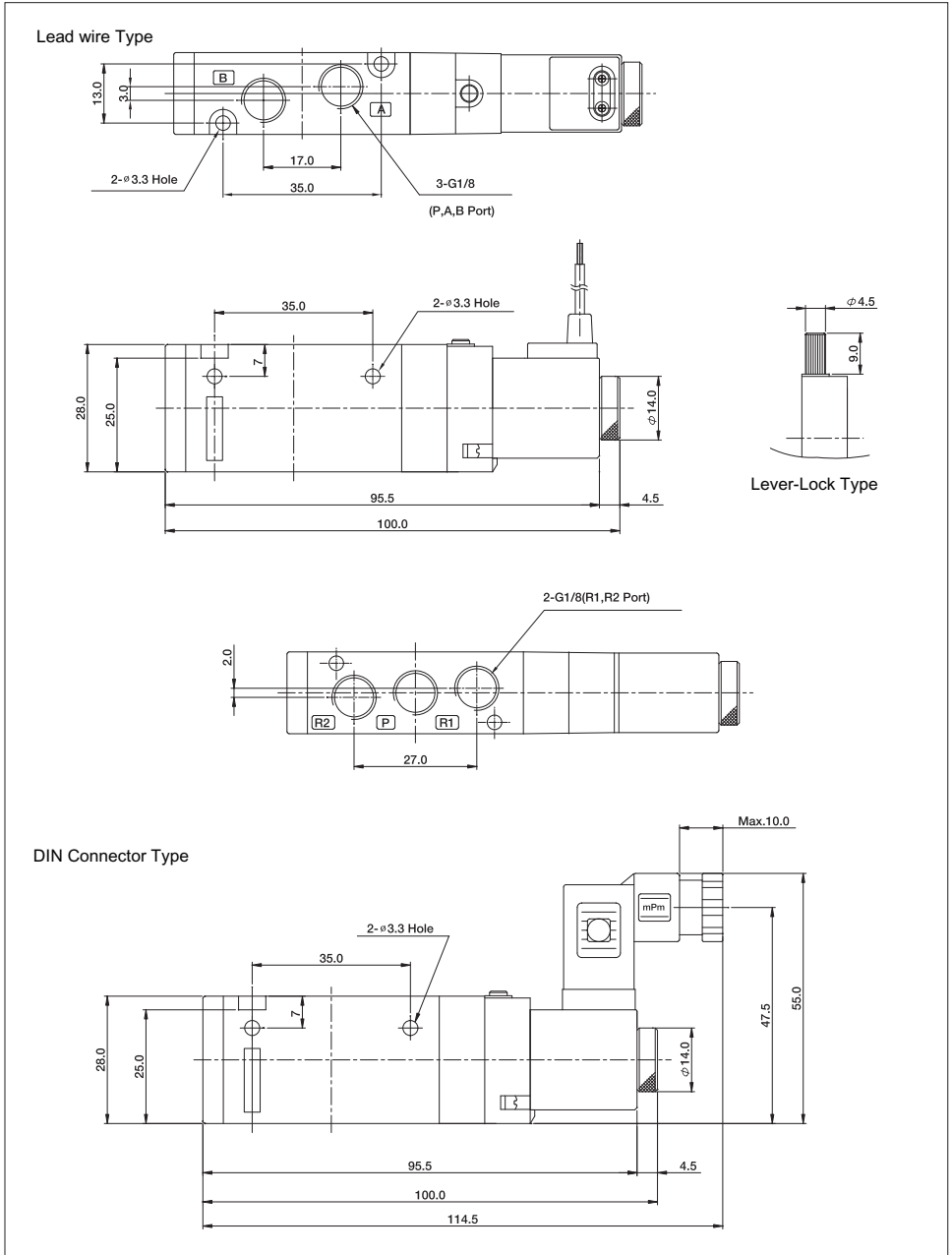
NO	Description	Material
1	Body	Aluminum Diecasting
2	Spool	Aluminum Diecasting
3	Spool Packing	NBR
4	Cap	Zinc
5	Piston	Resin
6	Semi Pilot	Zinc
7	Pilot	Resin
8	Coil Ass'y	Resin

PHS510 Series

Dimensions

PHS510S

(Unit : mm)

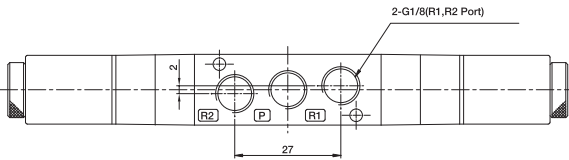
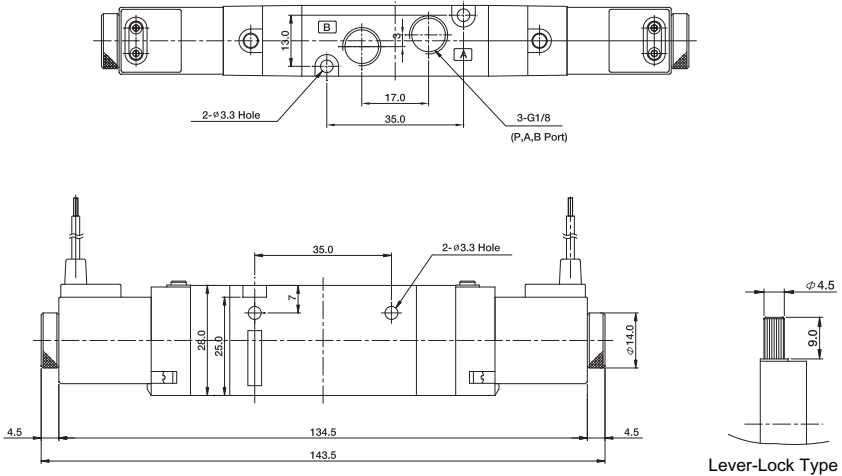


Dimensions

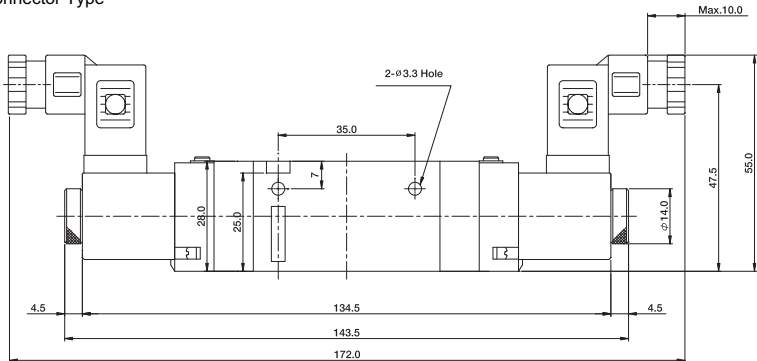
PHS510D

(Unit : mm)

Lead wire Type



DIN Connector Type



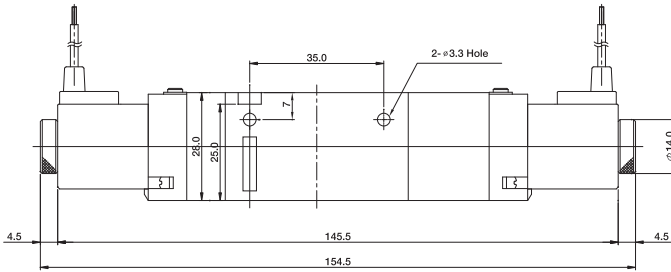
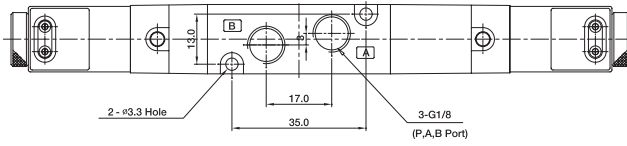
PHS510 Series

Dimensions

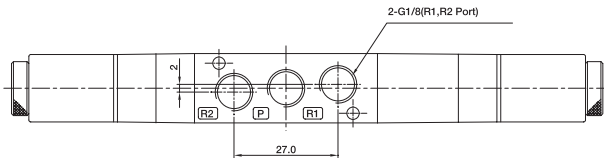
PHS510C, PHS510E, PHS510P

(Unit : mm)

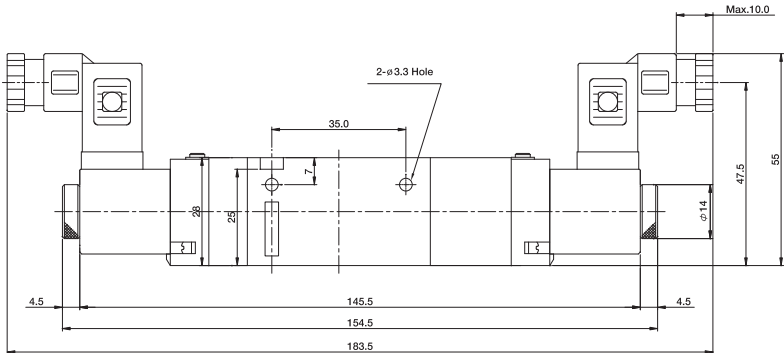
Lead wire Type



Lever-Lock Type



DIN Connector Type



PHS510 Series / Manifold

ORDER KEY

PHS510 — **M5**

Mountable Valve
PHS510 Series

Number of Station

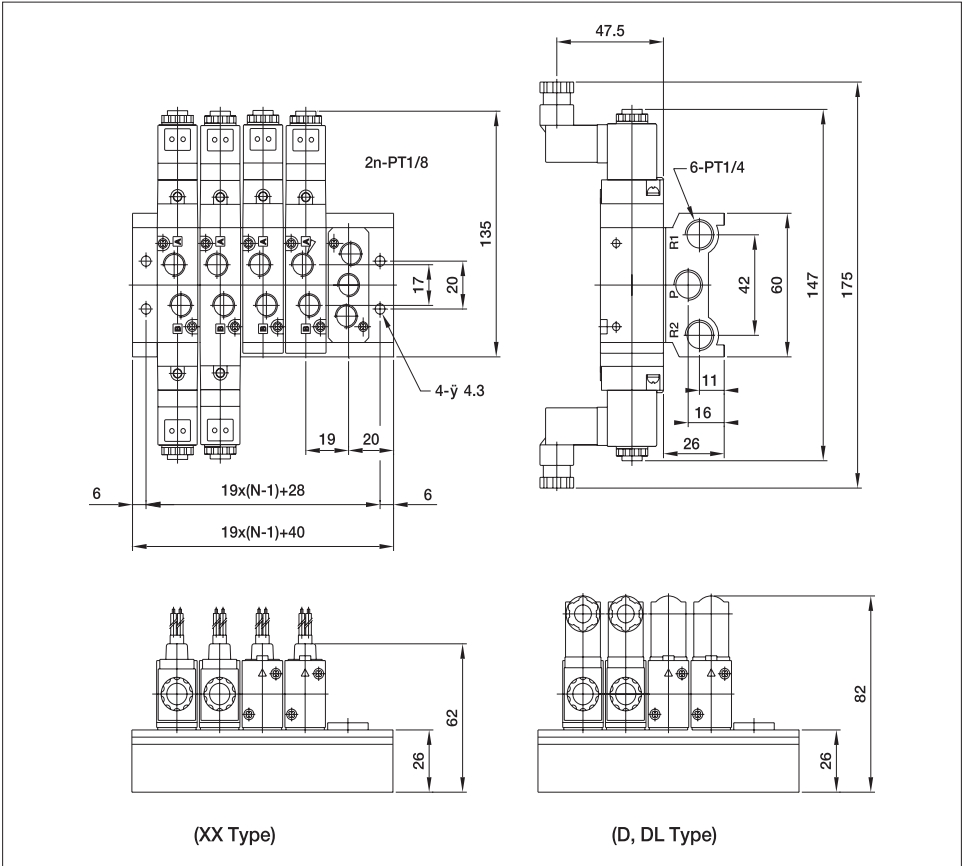
M2	2 Station
:	:
M9	2 Station

Specification

Type		PHS510-M□	
		Common SUP, Common EXH	
Port Size		Port 2, 4 on the body	
		Port 1	Rc1/4
		Port 3, 5	Rc1/4
Station		Port 2, 4	Rc1/4
		2-9 Station	
Mounting		Direct mount	
Mountable Valve		PHS510 Series	
Blanking Plate		PHS510-BP	

Dimensions

(Unit : mm)



5 Port Pilot Operated Solenoid Valve

PHS520 Series

Rubber Seal/In-Line Type



PHS520S	2 Position Single solenoid
PHS520D	2 Position Double Solenoid
PHS520C	3 Position Center Closed
PHS520E	3 Position Exhaust Center
PHS520P	3 Position Pressure Center

Specifications

Model No	Unit	PHS520S	PHS520D	PHS520C	PHS520E	PHS520P
Fluid		Non-lubricated / Lubricated Air				
Port Size		PT 1/4"				
Effective Area	mm ² (Cv)	18(1.0)			14(0.8)	
Temperature Range	°C	5~60 °C				
Pressure Range	MPa(bar)	0.15~0.9(1.5~9.0)	0.1~0.9(1.0~9.0)	0.2~0.9(2.0~9.0)		
Max. Operating Cycle	cycle/s	10			3	
Response Time	ms	20 or less			35 or less	
Exhaust Type		Individual Exhaust				
Manual Override		Non-lock(Standard), Lever-lock(Optional)				
Shock/Vibration Resistance	m/s ²	30G~5G(8.3~200Hz)				

Electrical Specifications

Voltage	V	DC24V, AC110V, AC220V(50~60Hz)
Allowable Voltage Fluctuation	%	±10%
Power Consumption	W, VA	DC24V(2.6W), AC110V(4VA), AC220V(3.5VA)
Insulation class		F
Wiring		Lead Wire, DIN Connector
Indicator Light		LED

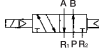
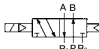
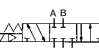
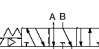
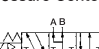
ORDER KEY

PHS520
S
8
110
DL
L

①
②
③
④
⑤
⑥

1. Series
5 Port Solenoid Valve

2. Function

S	Single Solenoid 
D	Double solenoid 
C	Center Closed 
E	Exhaust Center 
P	Pressure Center 

3. Port Size

8	PT 1/4"
---	---------

4. Voltage

24V	DC24V
110V	AC110V
220V	AC220V

5. Wiring

No mark	Lead Wire
D	DIN Connector
DL	DIN Connector w/Lamp Indicator

6. Manual Override

No mark	Non-Lock
L	Lever-Lock

Coil & Connector

Connector

Coil

PEC5
DC24
D

Voltage ●

DC24
AC 110V
AC 220V

Wiring

No mark	Lead Wire
D	DIN

- **Explosion Proof Coil**
Explosion Proof Coil can be applied to the PHS Series.
Please refer To 483 pages for detail information

Connector

PEC5
L
DC24

Lamp Indicator ●

No mark	No Lamp Indicator
L	w/ Lamp Indicator

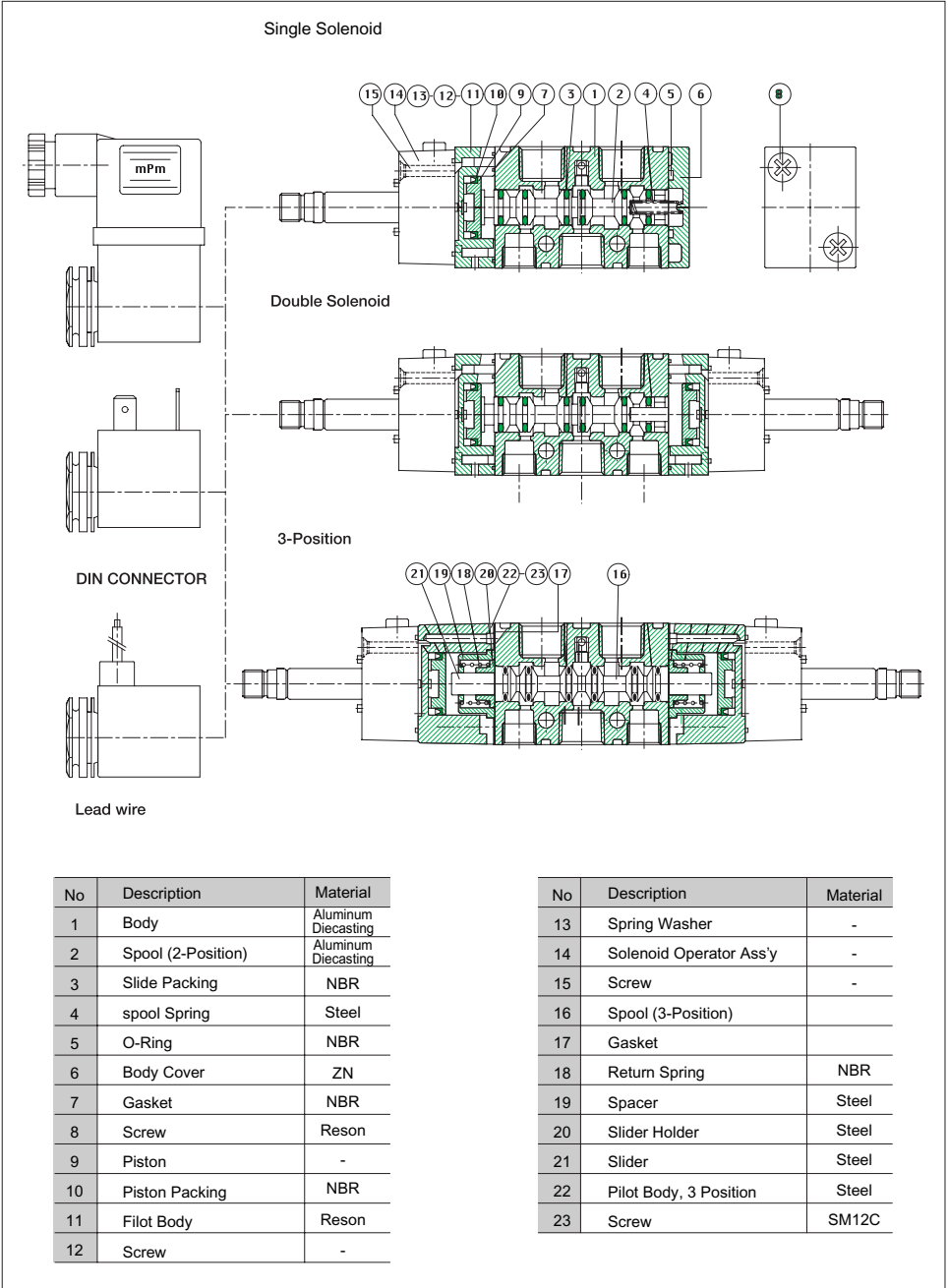
Voltage ●

No mark	No Lamp Indicator
24V	DC24
110V	AC 110V
220V	AC 220V

- **Blanking Plate**
Model : PHS520-BP

PHS520 Series

Construction



No	Description	Material
1	Body	Aluminum Diecasting
2	Spool (2-Position)	Aluminum Diecasting
3	Slide Packing	NBR
4	spool Spring	Steel
5	O-Ring	NBR
6	Body Cover	ZN
7	Gasket	NBR
8	Screw	Reson
9	Piston	-
10	Piston Packing	NBR
11	Filot Body	Reson
12	Screw	-

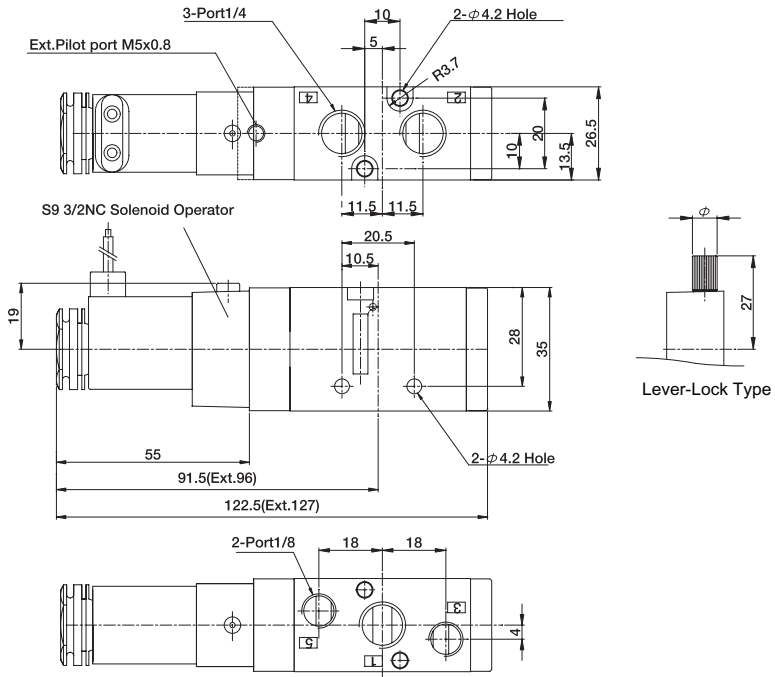
No	Description	Material
13	Spring Washer	-
14	Solenoid Operator Ass'y	-
15	Screw	-
16	Spool (3-Position)	
17	Gasket	
18	Return Spring	NBR
19	Spacer	Steel
20	Slider Holder	Steel
21	Slider	Steel
22	Pilot Body, 3 Position	Steel
23	Screw	SM12C

Dimensions

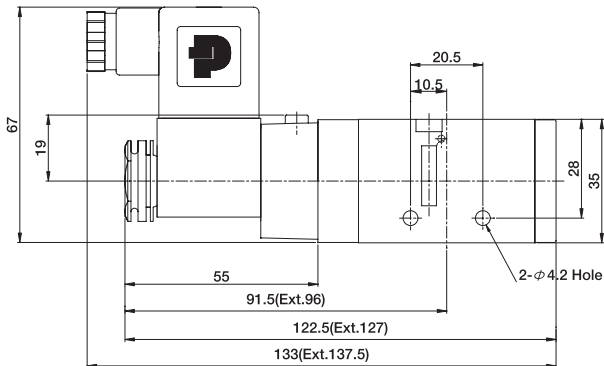
PHS520S

(Unit : mm)

Lead wire Type



DIN Connector Type



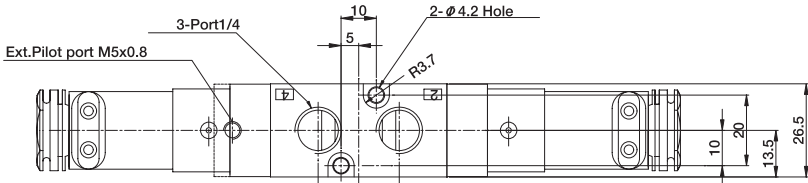
PHS520 Series

Dimensions

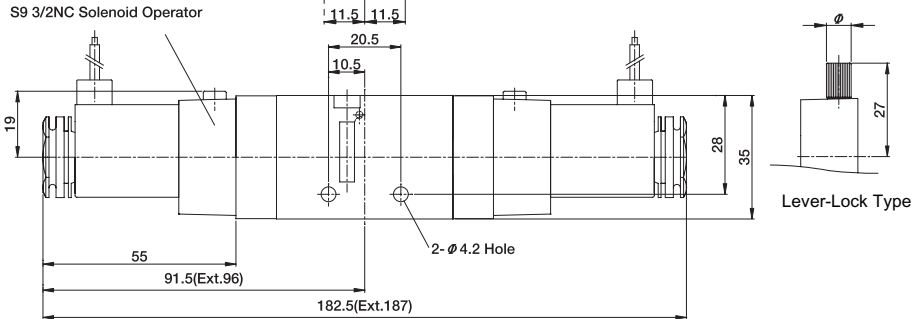
PHS520D

(Unit : mm)

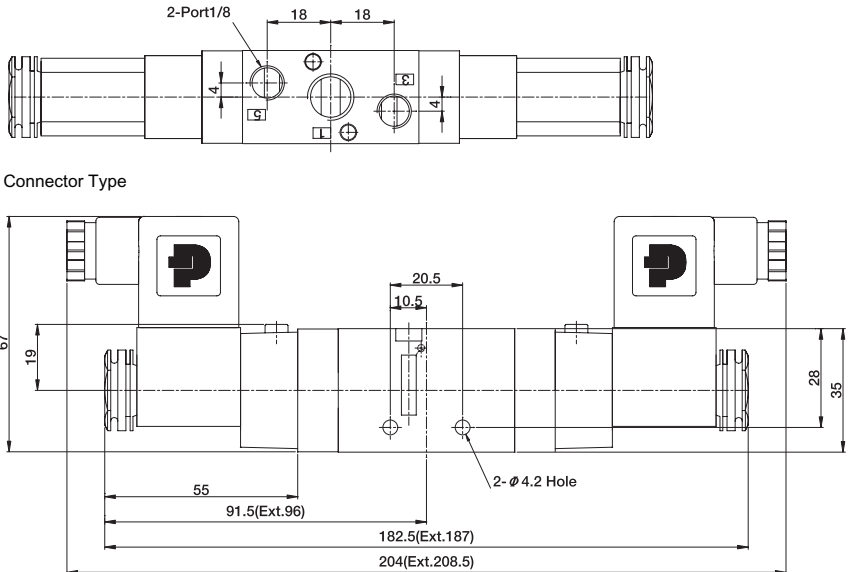
Lead wire Type



S9 3/2NC Solenoid Operator



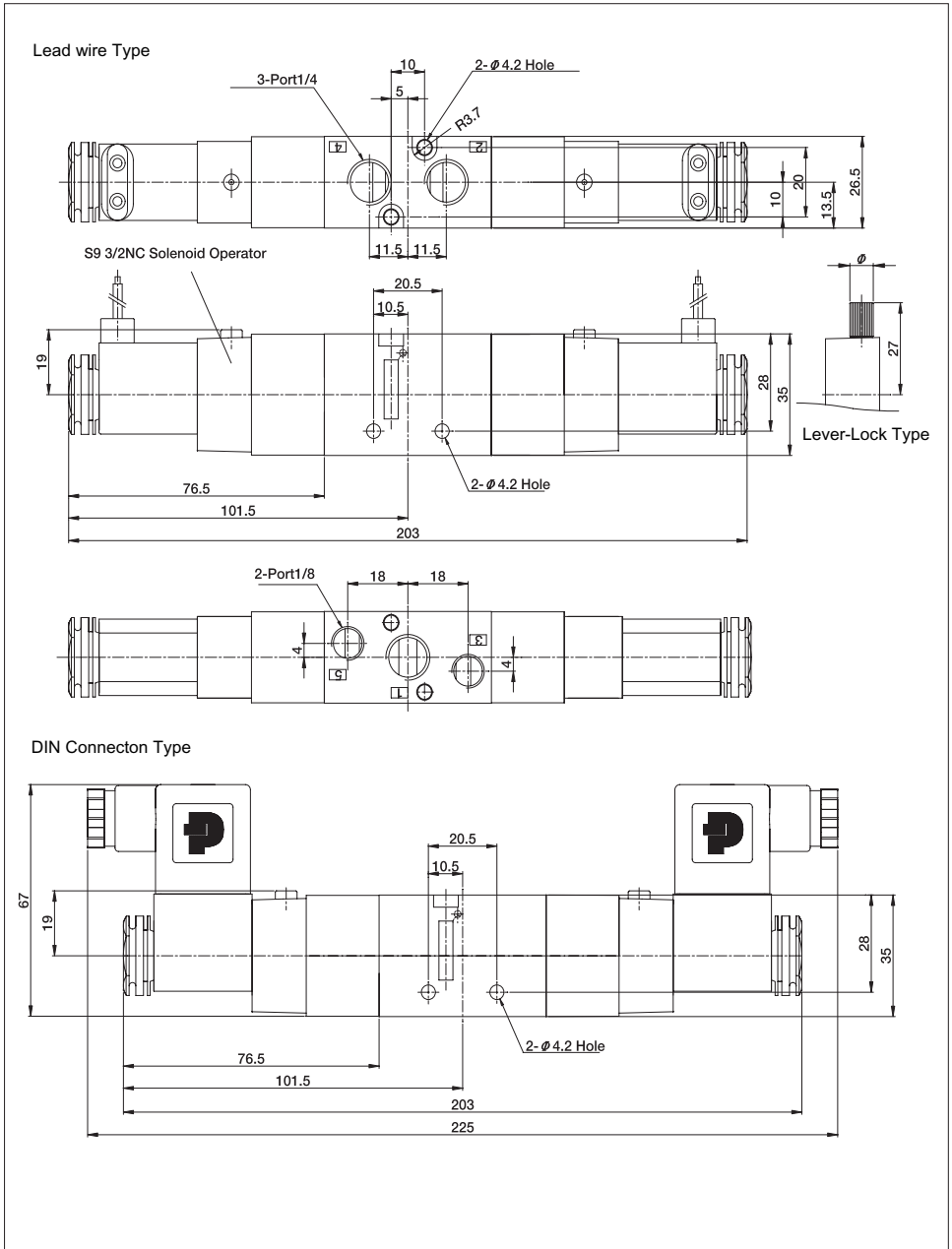
DIN Connector Type



Dimensions

PHS520C, PHS520E, PHS520P

(Unit : mm)



PHS520 Series / Manifold

ORDER KEY

PHS520 — **M5**

Mountable Valve
PHS510 Series

Number of Station

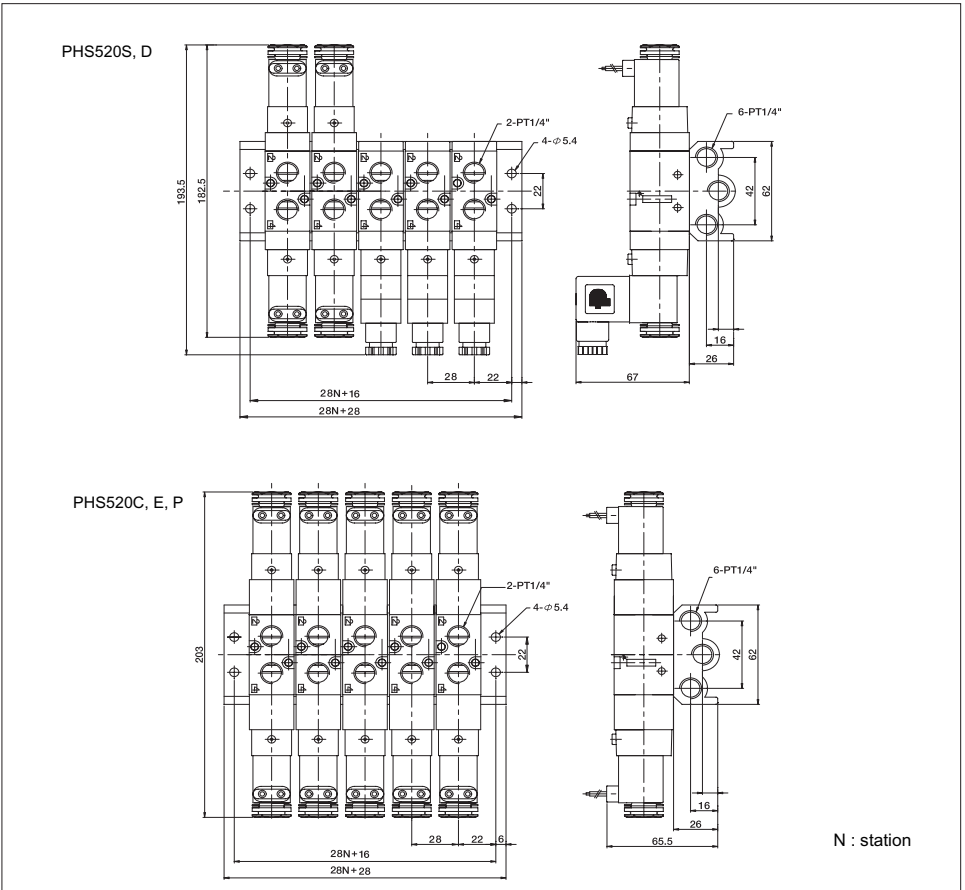
M2	2 Station
:	:
M9	9 Station

Specification

Type	PHS520-M□	
	Common SUP, Common E	
	Port 2, 4 on the body	
Port Size	Port 1	RC 1/4
	Port 3, 5	RC 1/4
	Port 2, 4	RC 1/4
Station	2~9 Station	
Mounting	Direct mount	
Mountable Valve	PHS520 Series	
Blanking Plate	PHS520-BP-	

Dimensions

(Unit : mm)



5 Port Pilot Operated Solenoid Valve

PHS530 Series

Rubber Seal / In-Line Type

PHS530S 2 Position
Single solenoid

PHS530D 2 Position
Double Solenoid

PHS530C 3 Position
Center Closed

PHS530E 3 Position
Exhaust Center

PHS530P 3 Position
Pressure Center



Specifications

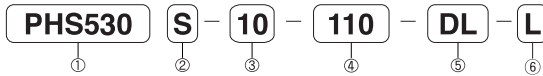
Model No	Unit	PHS520S	PHS520D	PHS520C	PHS520E	PHS520P
Fluid		Non-lubricated / Lubricated Air				
Port Size		PT 3/8"				
Effective Area	mm ² (Cv)	30(1.6)				
Temperature Range	°C	5~60°C				
Pressure Range	MPa(bar)	0.15~0.9(1.5~9.0)	0.1~0.9(1.0~9.0)	0.2~0.9(2.0~9.0)		
Max. Operating Cycle	cycle/s	8			3	
Response Time	ms	25 or less			35 or less	
Exhaust Type		Individual Exhaust				
Manual Override		Non-lock(Standard), Lever-lock(Optional)				
Shock/Vibration Resistance	m/s ²					

Electrical Specifications

Voltage	V	DC24V, AC110V, AC220V(50~60Hz)
Allowable Voltage Fluctuation	%	±10%
Power Consumption	W, VA	DC24V(2.6V), AC110V(4VA), AC220V(3.5VA)
Insulation class		F
Wiring		Lead Wire, DIN Connector
Indicator Light		LED

PHS530 Series

ORDER KEY



1. Series
5 Port Solenoid Valve

2. Function

S	Single Solenoid
D	Double solenoid
C	Center Closed
E	Exhaust Center
P	Pressure Center

3. Port Size

8	PT 1/4"
---	---------

4. Voltage

24V	DC24V
110V	AC110V
220V	AC220V

5. Wiring

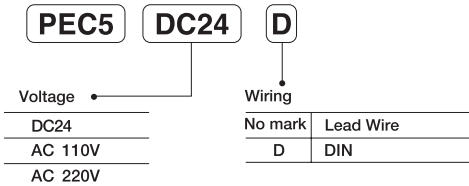
No mark	Lead Wire
D	DIN Connector
DL	DIN Connector w/Lamp Indicator

6. Manual Override

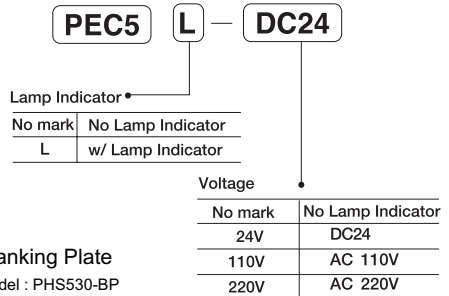
No mark	Non-Lock
L	Lever-Lock

Coil & Connector

Coil



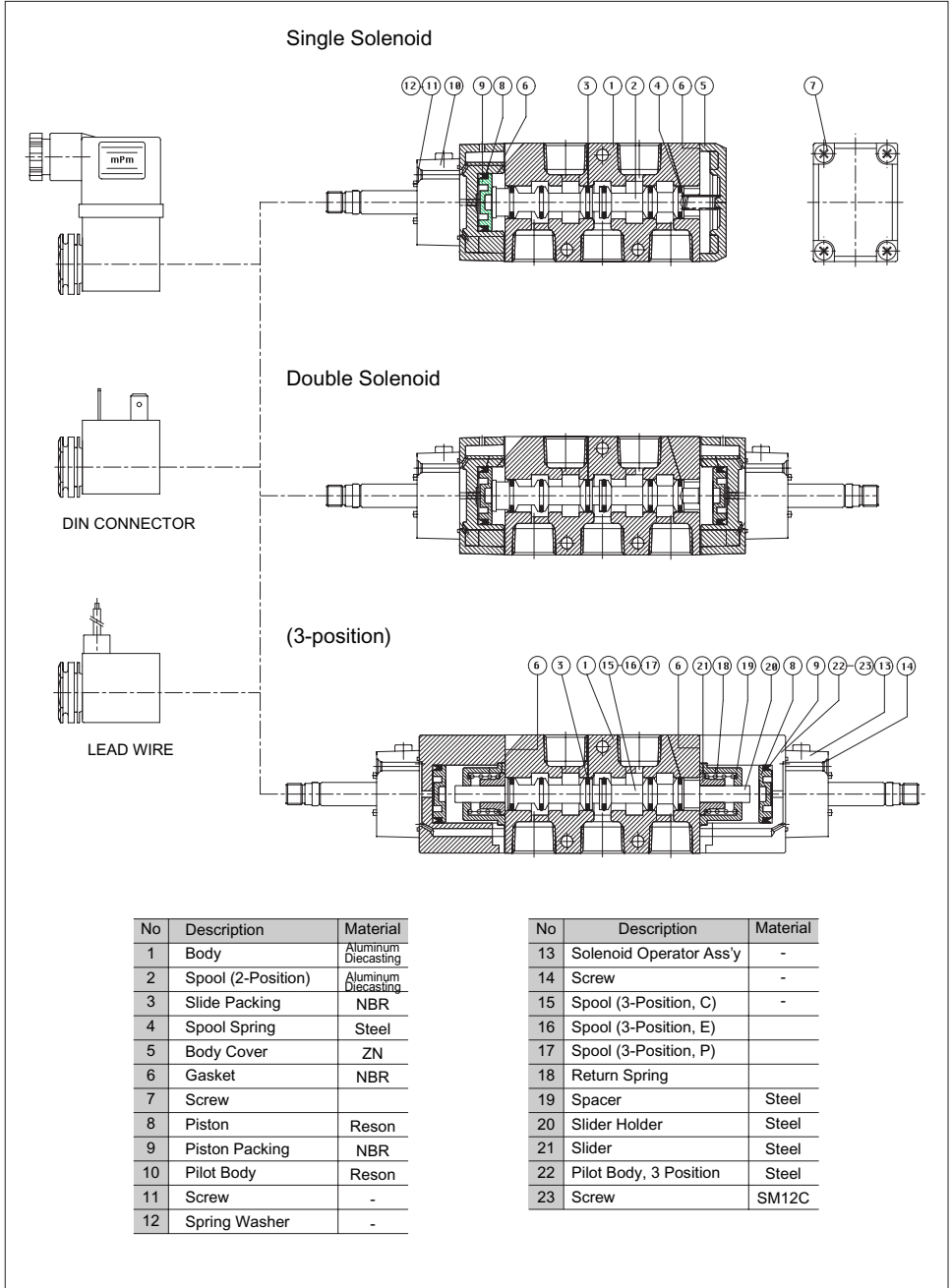
Connector



- **Explosion Proof Coil**
Explosion Proof Coil can be applied to the PHS Series.
Please refer To483 pages for detail information

- **Blanking Plate**
Model : PHS530-BP

Construction



No	Description	Material
1	Body	Aluminum Diecasting
2	Spool (2-Position)	Aluminum Diecasting
3	Slide Packing	NBR
4	Spool Spring	Steel
5	Body Cover	ZN
6	Gasket	NBR
7	Screw	
8	Piston	Reson
9	Piston Packing	NBR
10	Pilot Body	Reson
11	Screw	-
12	Spring Washer	-

No	Description	Material
13	Solenoid Operator Ass'y	-
14	Screw	-
15	Spool (3-Position, C)	-
16	Spool (3-Position, E)	
17	Spool (3-Position, P)	
18	Return Spring	
19	Spacer	Steel
20	Slider Holder	Steel
21	Slider	Steel
22	Pilot Body, 3 Position	Steel
23	Screw	SM12C

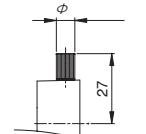
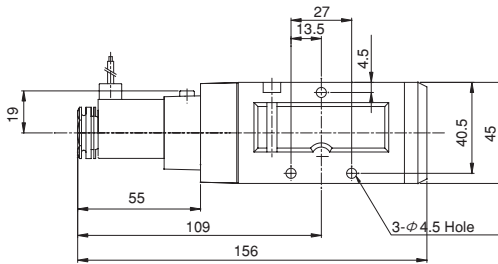
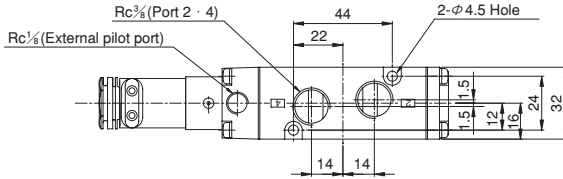
PHS530 Series

Dimension

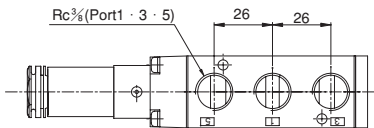
(Unit: mm)

PHS530S

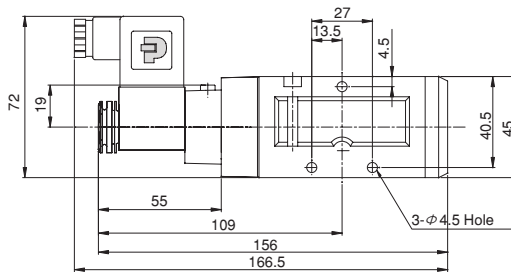
Lead Wire Type



Lever-Lock Type



DIN-Connector Type

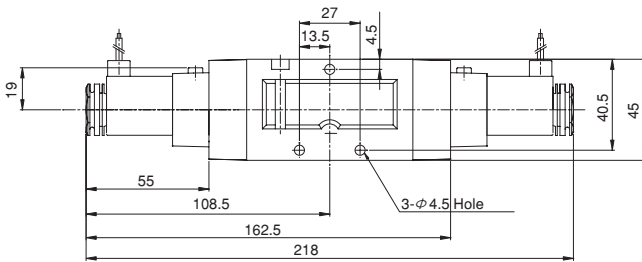
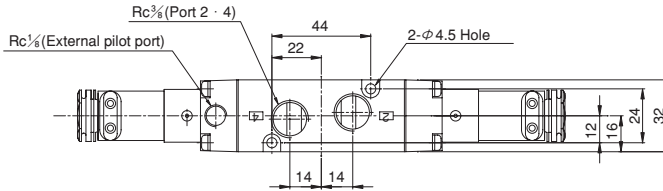


Dimension

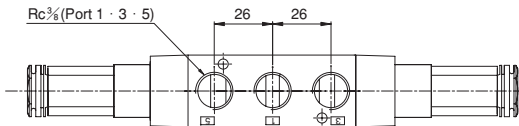
(Unit : mm)

PHS530D

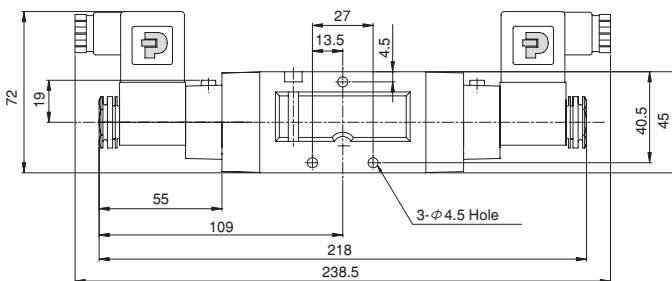
Lead Wire Type



Lever-Lock Type



DIN-Connector Type



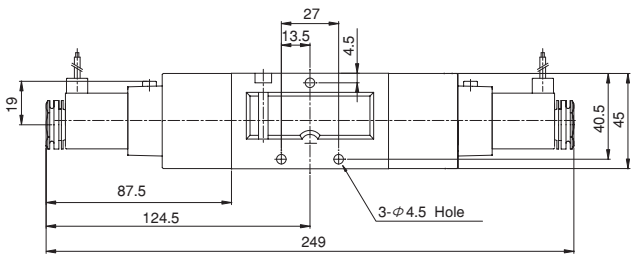
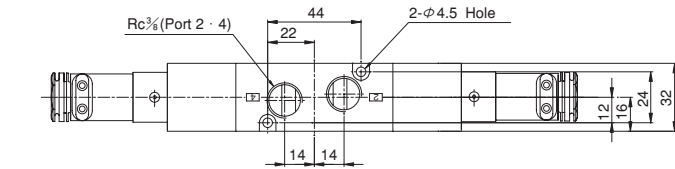
PHS530 Series

Dimension

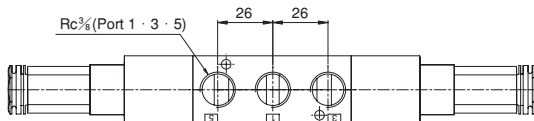
(Unit : mm)

PHS530C, PHS530E, PHS530P

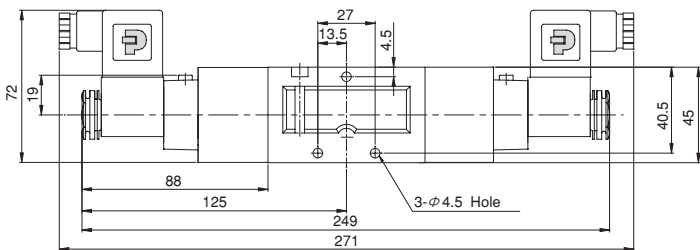
Lead Wire Type



Lever-Lock Type



DIN-Connector Type



PHS530 Series / Manifold

ORDER KEY

PHS530 — **M5**

Mountable Valve
PHS530 Series

Number of Station

M2	2 Station
:	:
M9	9 Station

Specification

Type	PHS520-M □	
	Common SUP, Common E	
	Port 2, 4 on the body	
Port Size	Port 1	RC 3/8
	Port 3, 5	RC 3/8
	Port 2, 4	RC 3/8
Station	2~9 Station	
Mounting	Direct mount	
Mountable Valve	PHS530 Series	
Blanking Plate	PHS530-BP	

Dimensions

(Unit : mm)

(PHS530S, D)

Front view dimensions: Total height 228, mounting height 217, total width $33X(N-1)+47$, mounting width $33X(N-1)+60$, station width 3, station spacing 26.5, hole diameter $4 \phi 5.4$, hole offset 3, hole offset 6.

Side view dimensions: Total height 8, mounting height 6, hole diameter $4 \phi 5.4$, hole offset 1, hole offset 3.

(PHS530C, E, P)

Front view dimensions: Total height 250, mounting height 230, total width $27.5X(N-1)+44$, mounting width $27.5X(N-1)+56$, station width 3, station spacing 2, hole diameter $4 \phi 5.4$, hole offset 3, hole offset 6.

Side view dimensions: Total height 8, mounting height 6, hole diameter $4 \phi 5.4$, hole offset 1, hole offset 3.

5 Port Pilot Operated Solenoid Valve

PHS541 Series

Rubber Seal / In-Line Type

PHS541S 2 position
Single Solenoid

PHS541D 2 position
Double Solenoid



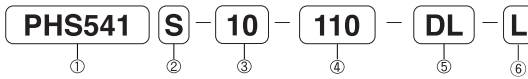
Specifications

Model No	Unit	PHS541S		PHS541SD	
Fluid		Non-lubricated / Lubricated Air			
Port Size		PT 3/8"	PT 1/2"	PT 3/8"	PT 1/2"
Effective Area	mm ² (CV)	53(2.9)	56(3.0)	53(2.9)	56(3.0)
Temperature Range	°C	5~60			
Pressure Range	MPA(bar)	0.15~0.9(1.5~9.0)			
Response Time	ms	50 or less			
Exhaust Type		Individual Exhaust			
Manual Override		Non-lock(Standard), Lever-lock(Option)			

Electrical Specifications

Voltage	Unit	DC24D, AC110V, AC220V(50~60Hz)
Allowable Voltage Fluctuation	%	±10%
Power Consumption	W, VA	DC24D(2.6W), AC110V(4VA), AC220V(3.5A)
Insulation class		F
Wiring		Lead Wire, DIN Connector
Indicator Light		LED

ORDER KEY



1. Series

2. Function

S	Single Solenoid
D	Double Solenoid

3. Port Size

10	Rc 3/8"
15	RC 1/2"

4. Voltage

24V	DC240V
110V	AC110V
220V	AC220V

5. Wiring

NO mark	Lead Wire
D	DIN Connector
DL	DIN Connector w/ Lamp Indicator

6. Manual Override

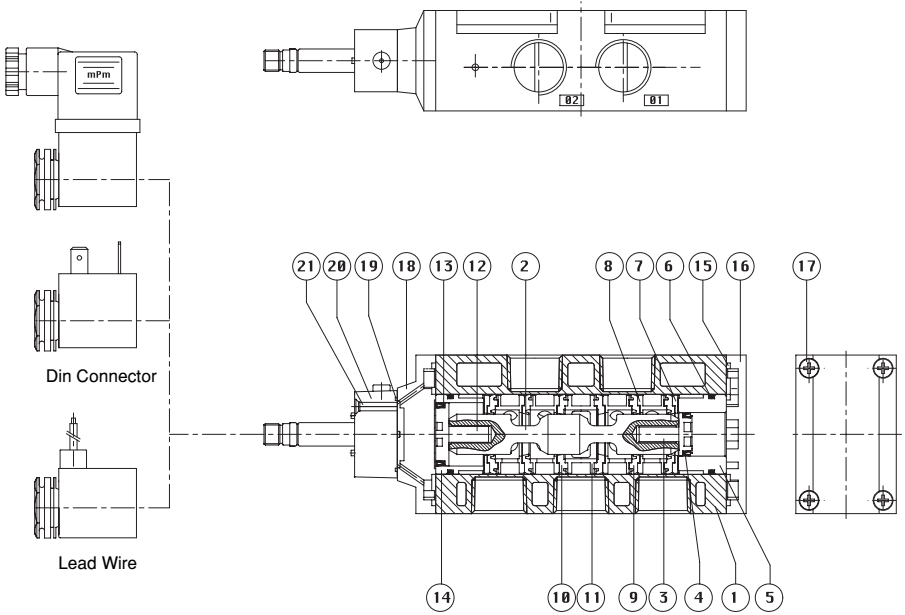
NO mark	Non-Lock
	Lever-Lock

PHS541 Series

Construction

(Unit : mm)

Single Solenoid



No	Description	Material
1	Body	Aluminum Diecasting
2	Spool	Aluminum Diecasting
3	Return Piston	Resin
4	Cap Packing	NBR
5	Return Tube	Aluminum Diecasting
6	O-Ring	NBR
7	Sleeve Liner	Reson
8	Sleeve-B	Aluminum Diecasting
9	Side Sleeve Packing	Rrethane
10	In Sleeve Packing	Rrethane
11	Sleeve-A	Reson

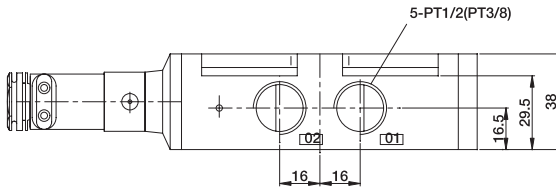
No	Description	Material
13	Motion Piston	Resin
14	Spool Packing	NBR
15	Motion Tuve	Aluminum Diecasting
16	Pilot Gasket	NBR
17	Body Cover	Aluminum Diecasting
18	Screw	
19	Pilot Body	
20	Pilot Gasket	NBR
21	S9 2/3 NC, Solenoid Operator Ass'y	
22	Lcrew	
23	Coil Nut	Nylon

Dinemsins

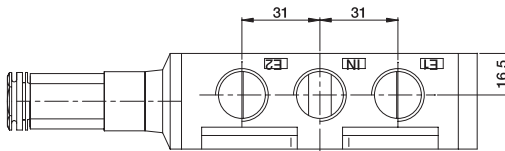
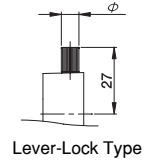
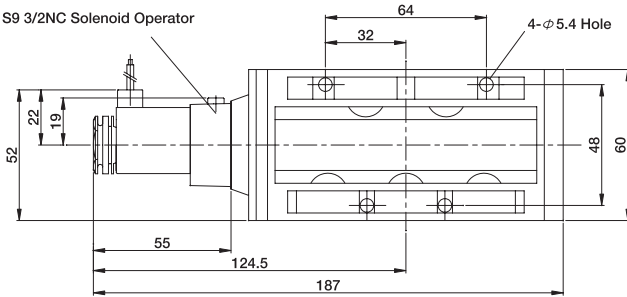
PHS541S

(Unit : mm)

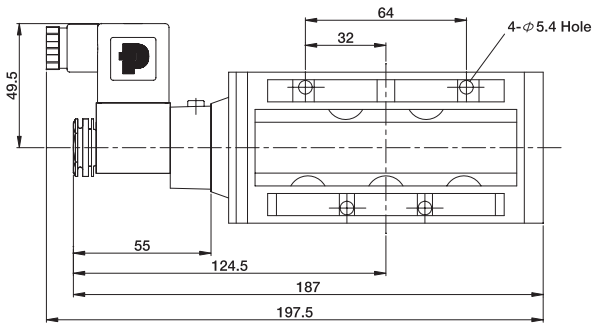
Lead wire Type



S9 3/2NC Solenoid Operator



DIN Connector Type



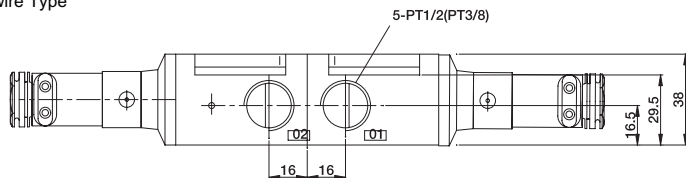
PHS541 Series

Dinemsins

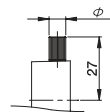
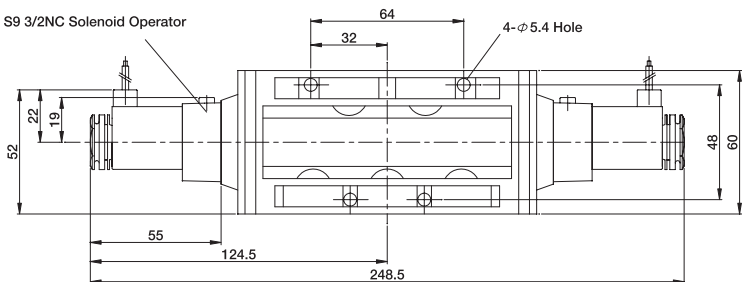
PHS541D

(Unit : mm)

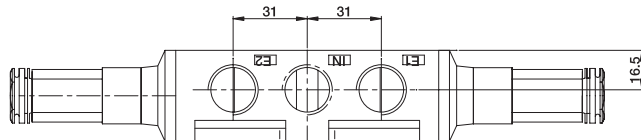
Lead wire Type



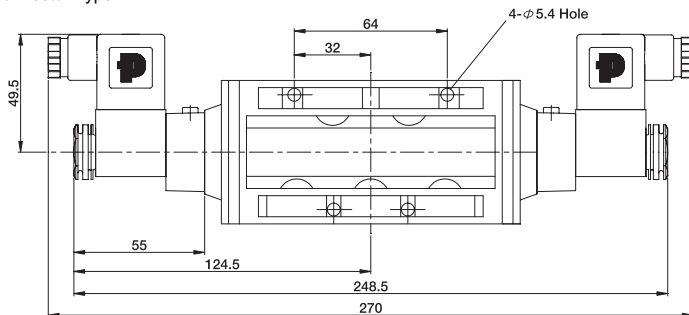
S9 3/2NC Solenoid Operator



Lever-Lock Type



DIN Connector Type



5 Port Pilot Operated Solenoid Valve

PHS540 Series

Rubber Seal / In-Line Type



PHS540S

2 Position
Single solenoid

PHS540D

2 Position
Double Solenoid

Specifications

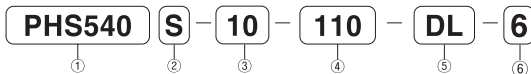
Model No	Unit	PHS540S		PHS540D	
Fluid		Non-lubricated / Lubricated Air			
Port Size		PT 3/8"	PT 1/2"	PT 3/8"	PT 1/2"
Effective Area	mm ² (CV)	53(2.9)	56(3.0)	53(2.9)	56(3.0)
Temperature Range	°C	5~60			
Pressure Range	MPA(bar)	0.15~0.9(1.5~9.0)			
Response Time	ms	50 or less			
Exhaust Type		Individual Exhaust			
Manual Override		Non-lock(Standard), Lever-lock(Option)			

Electrical Specifications

Voltage	Unit	DC24D, AC110V, AC220V(50~60Hz)
Allowable Voltage Fluctuation	%	±10%
Power Consumption	W, VA	DC24D(2.6W), AC110V(4VA), AC220V(3.5A)
Insulation class		F
Wiring		Lead Wire, Connector
Indicator Light		LED

PHS540 Series

ORDER KEY



1. Series

2. Function

S	Single Solenoid
D	Double Solenoid

3. Port Size

10	Rc 3/8"
15	RC 1/2"

4. Voltage

24V	DC240V
110V	AC110V
220V	AC220V

5. Wiring

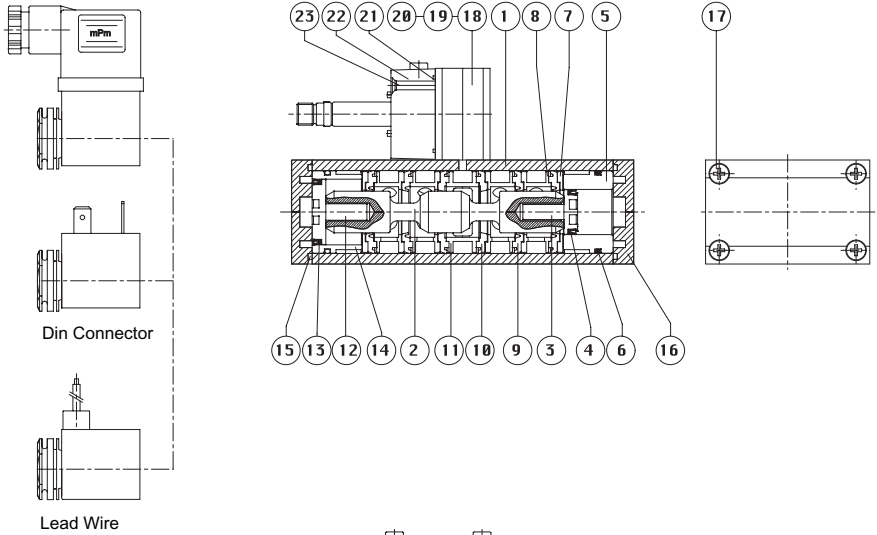
NO mark	Lead Wire
D	DIN Connector
DL	DIN Connector w/ Lamp Indicator

6. Manual Override

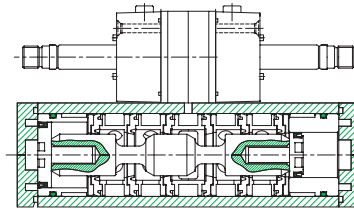
NO mark	Non-Lock
L	Lever-Lock

Construction

Single Solenoid



Double Solenoid



No	Description	Material
1	Body	Aluminum Diecasting
2	Spool	Aluminum Diecasting
3	Return Piston	Plastic
4	Cap Packing	NBR
5	Return Tube	Aluminum Diecasting
6	O-Ring	NBR
7	Sleeve Liner	Plastic
8	Sleeve-B	Aluminum Diecasting
9	Side Sleeve Packing	Urethane
10	In Sleeve Packing	Urethane
11	Sleeve-A	Plastic
12	Motion Piston	Plastic

No	Description	Material
13	Spool Packing	NBR
14	Motion Piston	
15	Spool Packing	NBR
16	Motion Tuve	Aluminum Diecasting
17	Pilot Gasket	
18	Body Cover	
19	Screw	
20	Pilot Body	NBR
21	Pilot Gasket	NBR
22	S9 2/3 NC, Solenoid Operator Ass'y	
23	Lcrew	
24	Coil Nut	NYLON

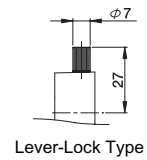
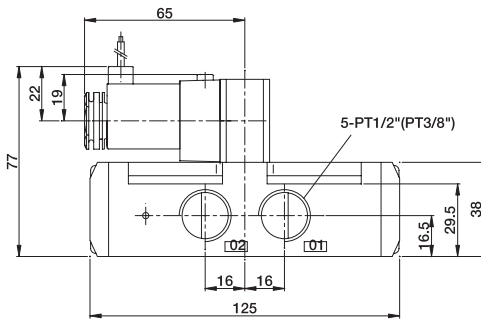
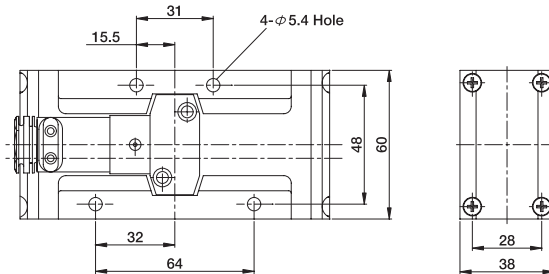
PHS540 Series

Dimensions

PHS540S

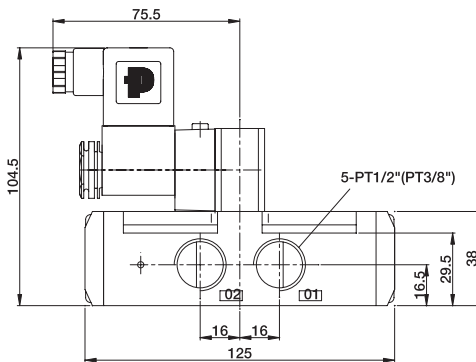
(Unit : mm)

Lead wire Type



Lever-Lock Type

DIN Connector Type

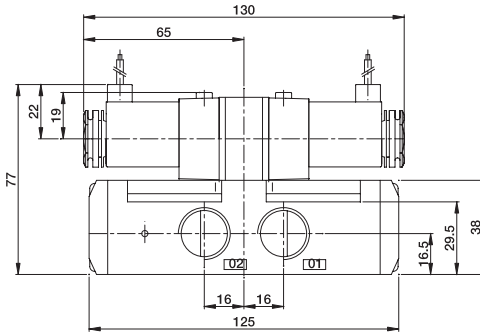
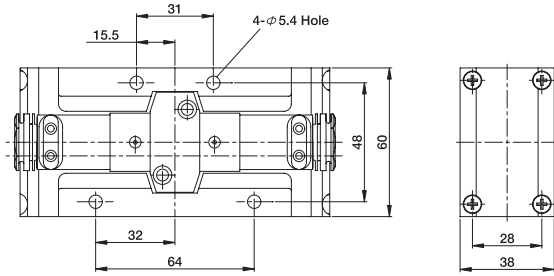


Dimensions

PHS540D

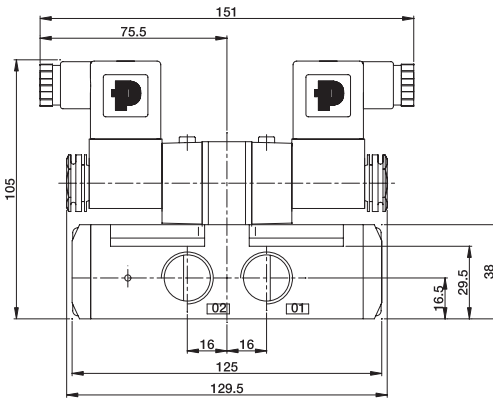
(Unit : mm)

Lead wire Type



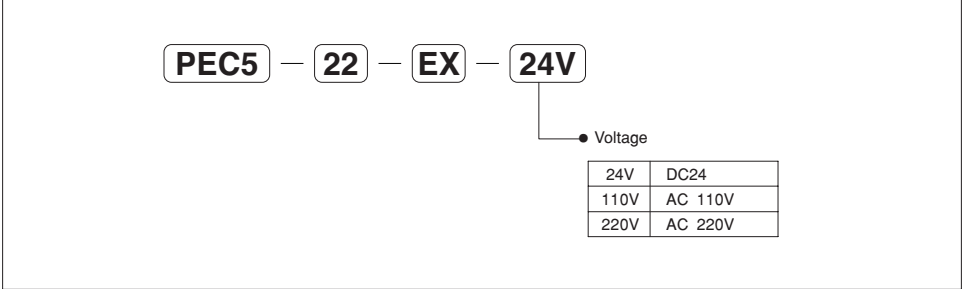
Lever-Lock Type

DIN Connector Type

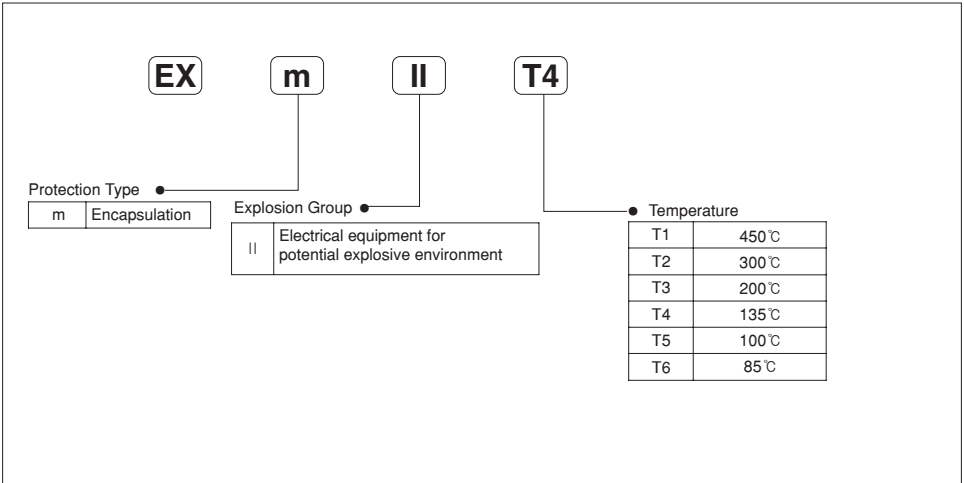


Explosion Proof Coil for PHS Series

ORDER KEY



Explosion Proof Grade





NAMUR Valve 34○Y Series



34○Y Series ————— P.482

NAMUR Valve

34○Y Serie

Rubber Seal



341Y	5/2 Way Single Solenoid
342Y	5/2 Way double Solenoid
343Y	5/3 Way Center Closed
344Y	5/3 Way Exhaust Center
345Y	5/3 Way Pressure Center

Specification

Model No	Unit	341Y	342Y	343Y	344Y	345Y
Fluid		Non-Lubricated / Lubricated Air				
Port Size	G	PT 1/4"				
Effective Area	mm ²	32.0		16.0		
Temperature Range	°C	5 ~ 60 °C				
Pressure Range	MPa (bar)	0.15 ~ 1.0 (1.5 ~ 10.0)		0.2 ~ 1.0 (2.0 ~ 10.0)		
Max. Operating Cycle	cycle / s	5		3		
Response Time	ms	30 or less		40 or less		
Exhaust Type		Individual Exhaust				
Manual Override		Non-lock(Standard), Lever-lock(Optional)				
Shock/Vibration Resistance	m/s ²	30G~5G (8.3~200Hz)				
Voltage	V	DC24V, AC110V, AC220V(50 ~60Hz)				
Allowable Voltage Fluctuation	%	AC : ±20% / DC : ±10%				
Power Consumption	W, VA	DC : 2.5W, AC : 3.5VA (60Hz)				
Insulation Class		F Class				
Wiring		Lead Wire, DIN Connector				
Indicator Light		LED				

ORDER KEY

34
1
 Y312
 S
N
M0

①
②
③
④

1. Series
5 Port Solenoid Valve

2. Function

1	Single Solenoid
2	Double Solenoid
3	Center Closed
4	Exhaust Center
5	Pressure Center

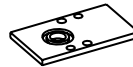
3. Orifice (mm)

U	6.0	341Y
		342Y
S		343Y
	5.0	344Y
		345Y

4. Manual Override

M0	Non-Lock
ML	Lever-Lock

Blanking Plate : CP01



Coil & Connector

Coil

PEC5
-
24V
-
D

Voltage ●

Wiring ●

24V	DC24	No mark	Lead Wire
110V	AC 110V	D	DIN
220V	AC 220V		

Connector

PES5
-
L
-
24V

Lamp Indicator ●

Voltage ●

No mark	No Lamp Indication	24V	DC24
L	w/ Lamp Indication	110V	AC 110V
		220V	AC 220V

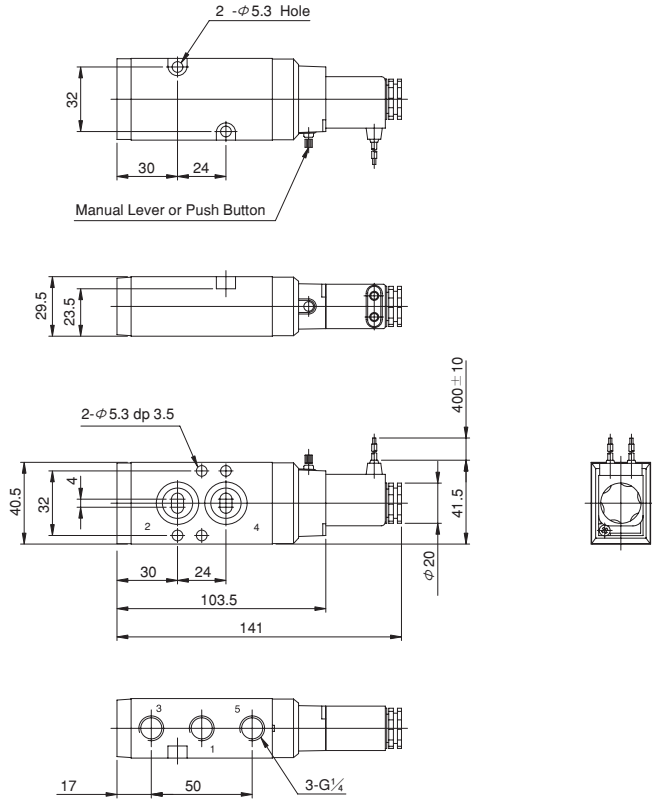
*Please order connector when order Din connector

NAMUR Valve

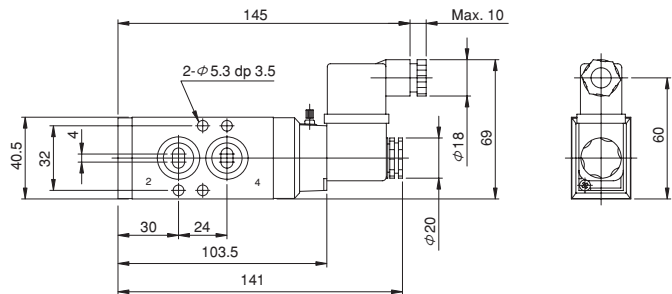
Dimension

(Unit : mm)

Lead Wire Type



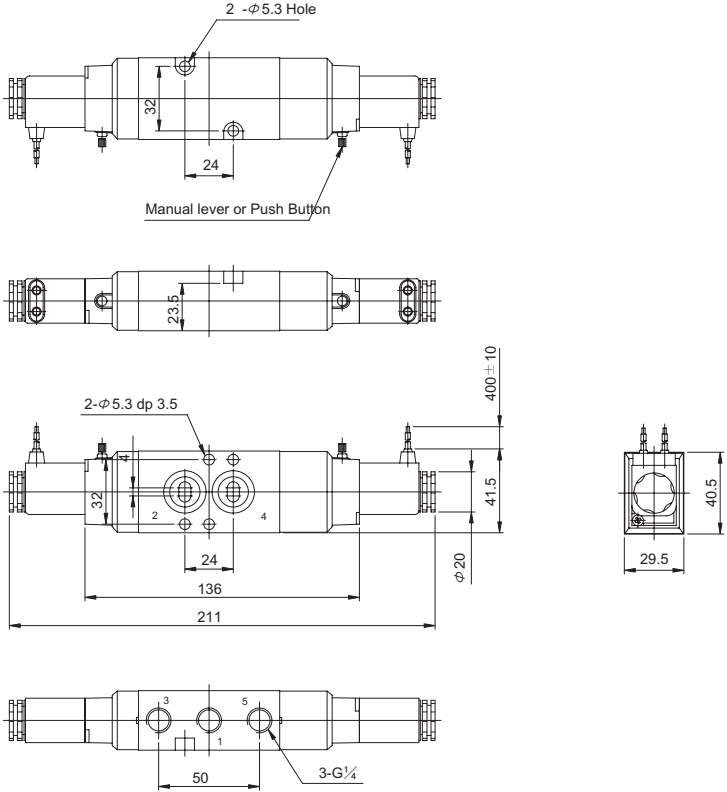
DIN Connector Type



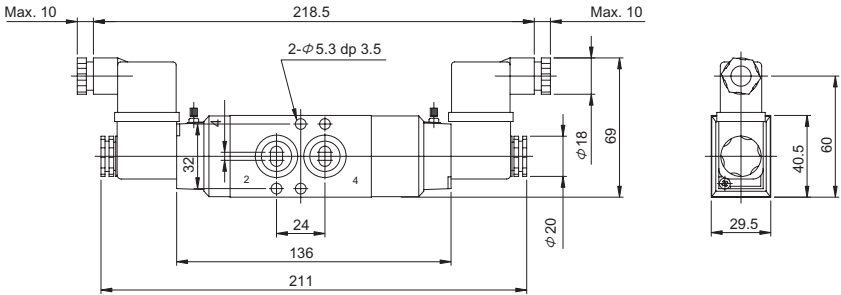
Dimension

(Unit : mm)

Lead Wire Type



DIN Connector Type

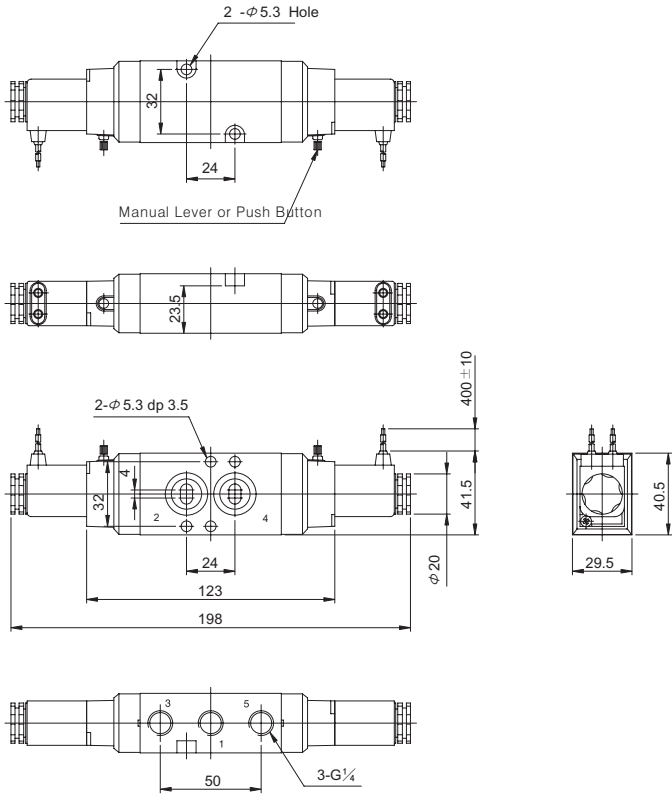


NAMUR Valve

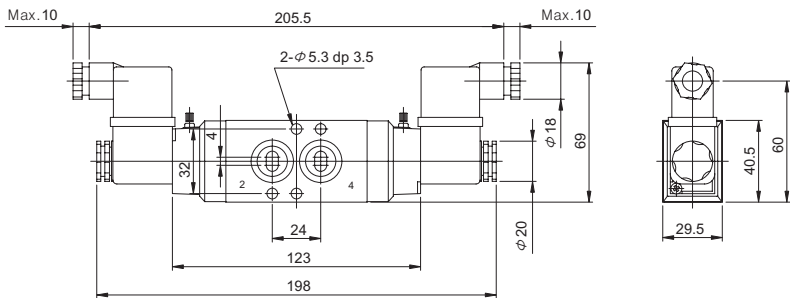
Dimension

(unit : mm)

Lead Wire Type



DIN Connector Type





5 Port Air Operated Valve **PHP Series**



PHP 520 Series/IN-Line Type	—————	P.488
PHP 530 Series/IN-Line Type	—————	P.489
PHP 540 Series/IN-Line Type	—————	P.490

5 Port Air Operated Valve

PHP520 Series

Rubber Seal / In-Line Type



PHP520S 2 Position
Single

PHP520D 2 Position
Double

ORDER KEY



1. Function

2. Port Size

S	Single
D	Double

8	PT 1/4"
---	---------

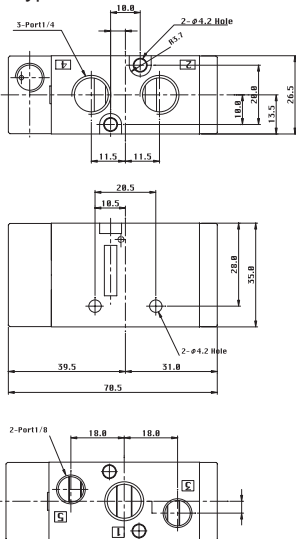
Specifications

Model No	Unit	PHP520S	PHP520D
Fluid		Non-lubricated / Lubricated Air	
Port Size		PT 1/4"	
Effective Area	mm ² (CV)	18(1.0)	
Temperature Range	°C	5~60	
Pressure Range	MPA(bar)	0.15~0.9(1.5~9.0)	
Exhaust Type		Individual Exhaust	
Manual Override		Non-lock(Standard), Lever-lock(Option)	

Dimensions

(Unit : mm)

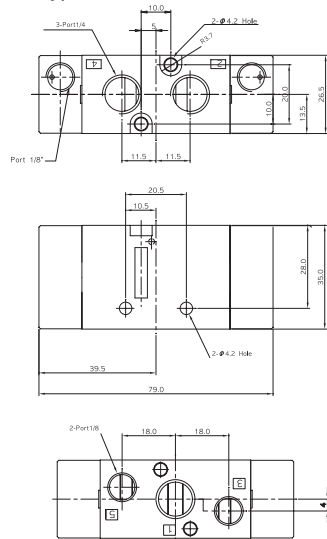
Single Type



Dimensions

(Unit : mm)

Double Type



5 Port Air Operated Valve

PHP530 Series

Rubber Seal / In-Line Type



PHP530S 2 Position
Single

PHP530D 2 Position
Double

ORDER KEY



1. Function

S	Single
D	Double

2. Port size

10	PT 3/8
----	--------

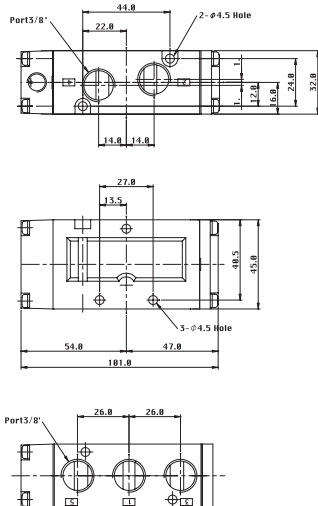
Specifications

Model No	Unit	PHP530S	PHP530D
Fluid		Non-lubricated / Lubricated Air	
Port Size		PT 3/8"	
Effective Area	mm ² (CV)	30(1.6)	
Temperature Range	°C	5~60	
Pressure Range	MPA(bar)	0.15~0.9(1.5~9.0)	
Exhaust Type		Individual Exhaust	
Manual Override		Non-lock(Standard), Lever-lock(Optional)	

Dinemsins

(Uniti : mm)

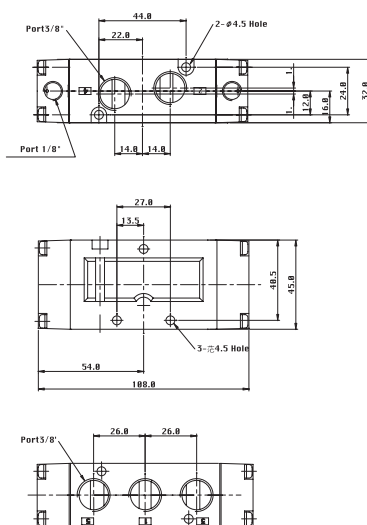
Single Type



Dimensions

(Uniti : mm)

Double Type



5 Port Air Operated Valve

PHP540 Series

Rubber Seal / In-Line Type



PHP540S 2 Position
Single

PHP540D 2 Position
Double

ORDER KEY



1. Function

S	Single
D	Double

2. Port Size

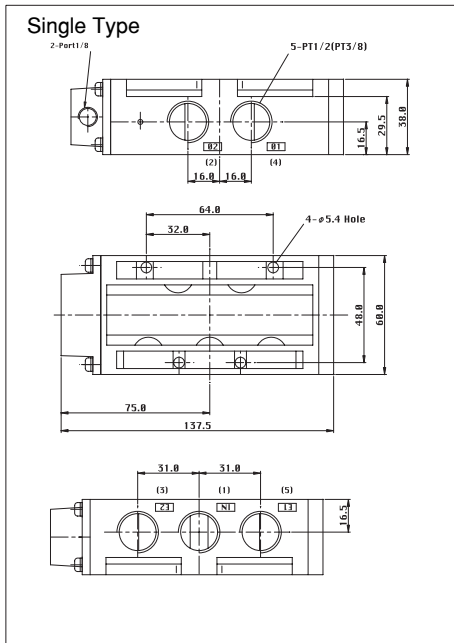
10	PT 3/8
15	PT 1/2

Specifications

Model No	Unit	PHP540S	PHP540D
Fluid		Non-lubricated / Lubricated Air	
Port Size		PT 3/8, PT 1/2	
Effective Area	mm ² (CV)	53(2.9)	
Temperature Range	°C	5~60	
Pressure Range	MPA(bar)	0.15~0.9(1.5~9.0)	
Exhaust Type		Individual Exhaust	
Manual Override		Non-lock(Standard), Lever-lock(Optional)	

Dinemsins

(Unit : mm)



Dinemsins

(Unit : mm)

